



Count on it.

Parts Catalog

**Groundsmaster® 3280-D
4-Wheel Drive Traction Unit**

Model No. 30345—Serial No. 403330001 and Up



Ordering Replacement Parts

To order replacement parts, please supply the part number, the quantity, and the description of each part desired.

Understanding Reference Numbers

Each identified part in an illustration has a reference number. The reference number for a part also appears in the parts list, along with other information about the part.

This catalog uses two special reference number formats, one to indicate parts in a service assembly and another to indicate the quantity of a given part in an illustration.

Service Assembly Reference Numbers

Parts in service assemblies have reference numbers in the form a:b. The a represents the reference number of the entire service assembly and the b represents a sequential number unique to each part within the service assembly.

For example, a wheel assembly might be identified by reference number 6, the tire by 6:1, the valve by 6:2, and the wheel by 6:3. When you order the assembly identified by reference number 6, you receive all parts identified by reference numbers 6:1, 6:2, and 6:3. However, you may also order any part individually. Reference numbers of this type appear in illustration and in parts lists.

Reference Numbers Indicating Quantity

In an illustration, if a reference number indicates more than one part, the reference number has the form nX y. The n represents the quantity of the part, the X is the multiplication symbol, and the y represents the reference number.

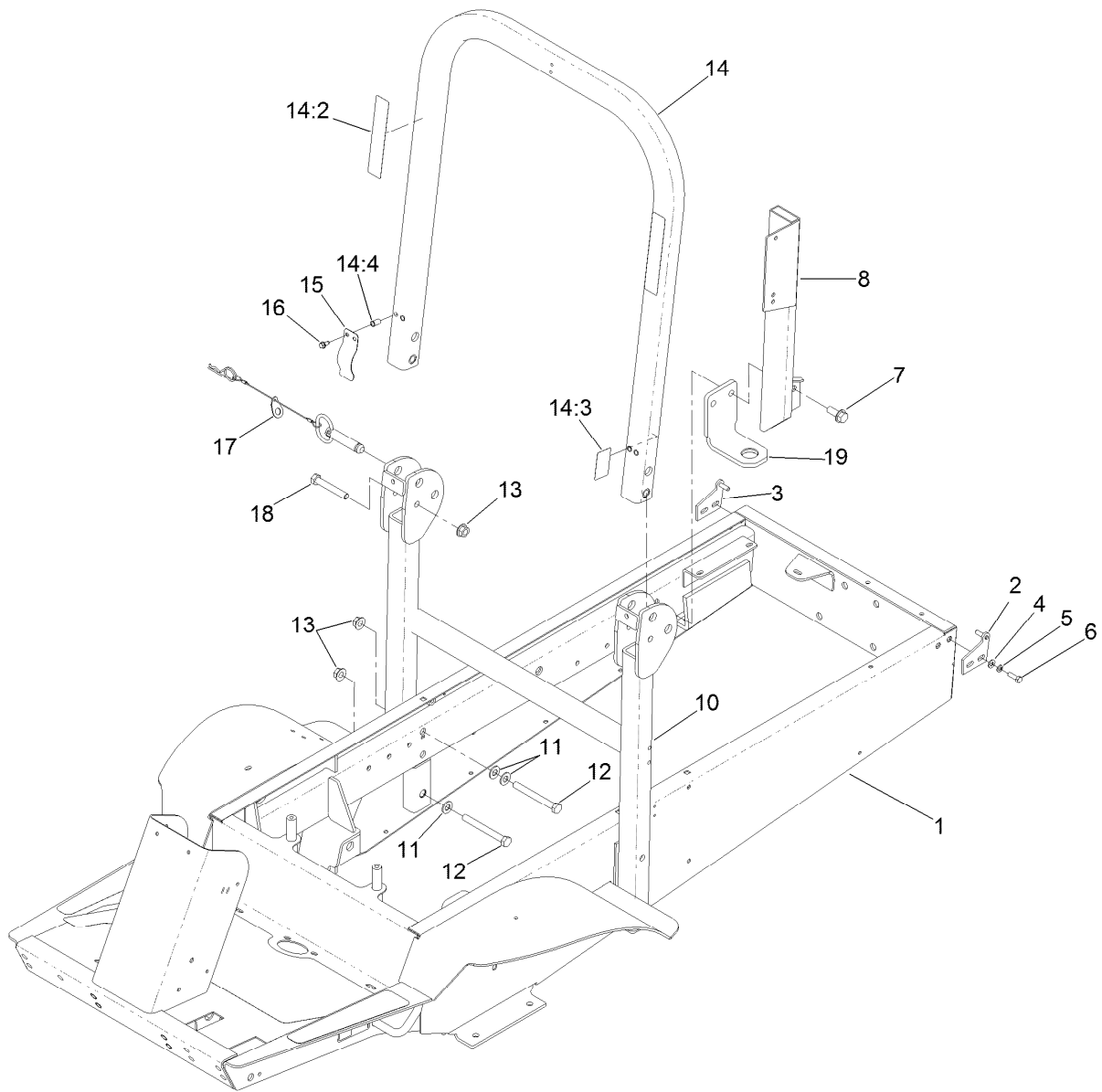
For example, in an illustration, the reference number 2X 37 means that two of the parts identified by reference number 37 are indicated.

Contents

Frame and Roll-Over Protection System Assembly	5
Frame Assembly No. 132-7210	6
Front Axle and Wheel Assembly	7
Front Axle Assembly No. 131-6061-03	8
Rear Drive Installation Assembly	11
Rear Axle Assembly	12
Bevel Pinion Shaft Assembly Rear Axle Assembly No. 106-1120	13
Differential Assembly Rear Axle Assembly No. 110-4750	14
Axle Support Assembly Rear Axle Assembly No. 106-1120	15
Bevel Gear Case Assembly Drive Axle Assembly No. 106-1120	16
Bevel Gear Shaft Assembly Rear Axle Assembly No. 106-1120	17
Axle Case Assembly Rear Axle Assembly No. 106-1120	18
Axle Assembly Rear Axle Assembly No. 106-1120	19
Bi-Directional Clutch Assembly No. 95-6296	20
Tie Rod Assembly No. 98-3871-03	21
Hydraulic Cylinder Assembly No. 99-2415	22
Driveshaft Assembly No. 98-5009	23
Engine, Clutch, Air Cleaner and Drive Shaft Assembly	24
Air Cleaner Assembly No. 136-4480	26
Driveshaft Assembly No. 131-6087	27
Engine Mounting and Clutch Assembly	28
Radiator and Cooler Assembly	29
Fuel Tank and Control Panel Assembly	31
Fuel Lines and Filter Assembly	33
Throttle Control Assembly	34
PTO Drive Assembly	35
PTO Driveshaft Assembly No. 108-1366	36
Traction Pedal Assembly	37
Transmission Linkage Assembly	38
Brake Pedal and Linkage Assembly	39
Hood Assembly	40
Steering Assembly	41
Steer Valve Assembly No. 131-5624	42
Hydraulic Assembly	43
Valve Assembly No. 132-7243	44
Transmission Hydraulic Assembly	45
Hydraulic Motor Assembly No. 130-8724	47
Hydraulic Pump Assembly No. 133-6385	48
Battery Assembly	50
Crankcase Assembly	51
Oil Pan and Dipstick Assembly	52
Cylinder Head Assembly	53
Gear Case and Oil Filter Cartridge Assembly	54
Cylinder Head Cover Assembly	55
Main Bearing Case Assembly	56
Camshaft and Idle Gear Shaft Assembly	57
Piston and Crankshaft Assembly	58
Fuel Camshaft and Governor Shaft Assembly	59
Idle Apparatus Assembly	60
Stop Solenoid and Fuel Pump Cover Assembly	61
Injection Pump Assembly	62
Governor Assembly	63
Speed Control Plate Assembly	64
Nozzle Holder and Glow Plug Assembly	65

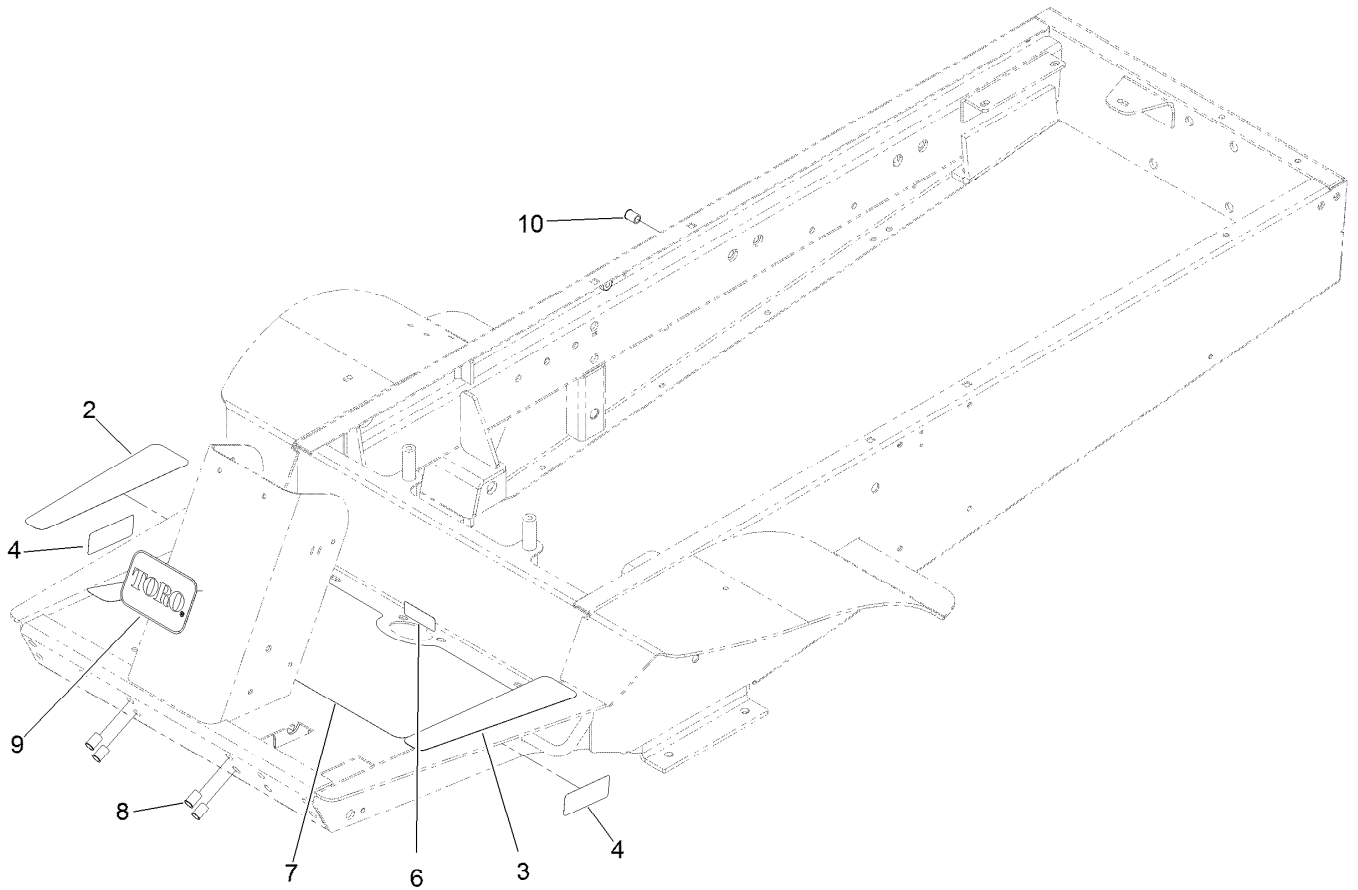
Contents (continued)

Nozzle Holder Assembly	66
Alternator and Pulley Assembly	67
Alternator Components Assembly	68
Starter and Flywheel Assembly	69
Starter Component Assembly	70
Water Flange and Thermostat Assembly	71
Water Pump Assembly	72
Valve and Rocker Arm Assembly	73
Inlet and Exhaust Manifold Assembly	74
Miscellaneous Engine Parts	75
Upper Gasket Kit	76
Lower Engine Gasket Kit	77
Attachments and Accessories	78



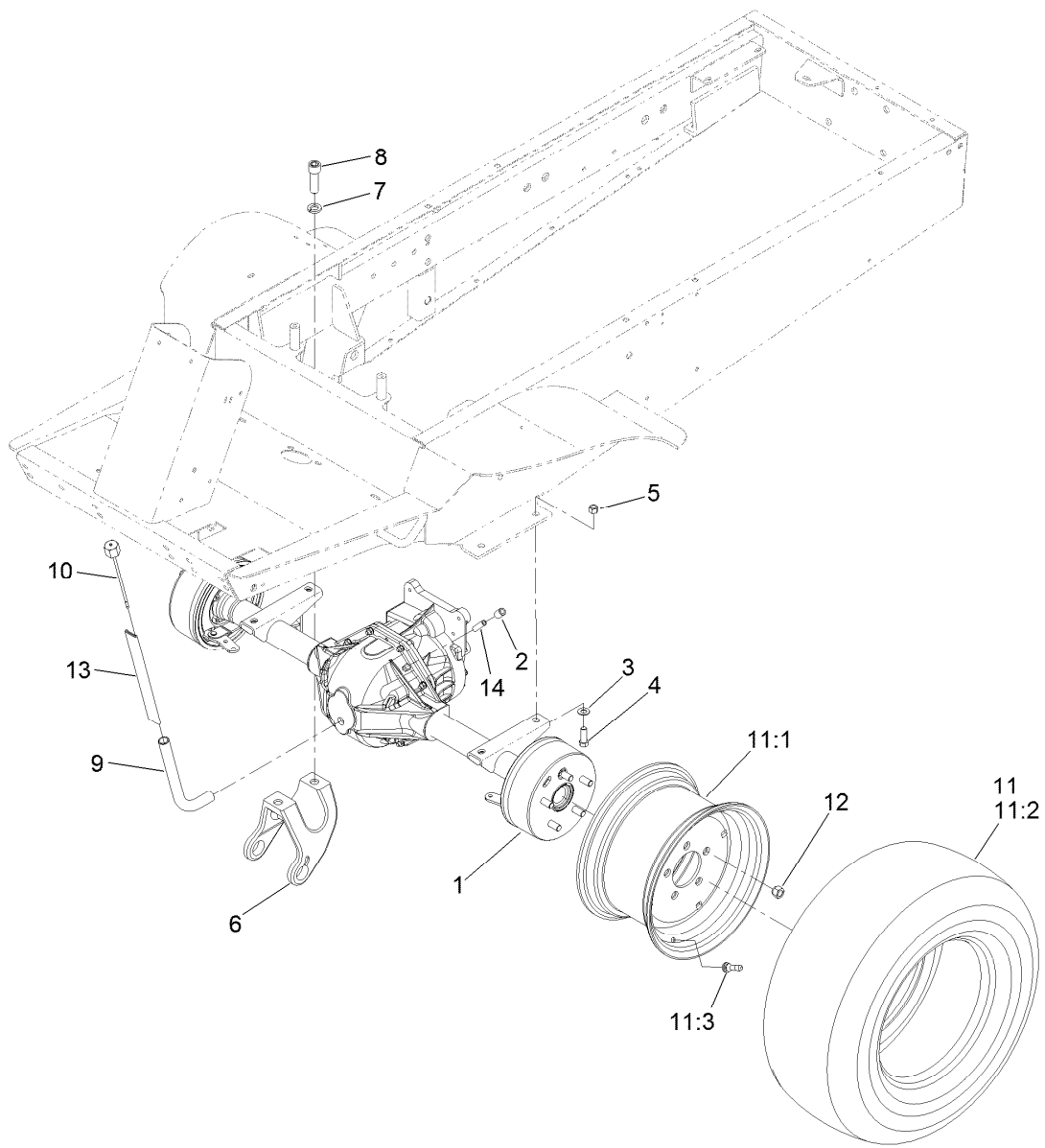
Frame and Roll-Over Protection System Assembly

<i>Ref.</i>	<i>Part Number</i>	<i>Qty.</i>	<i>Description</i>	<i>Ref.</i>	<i>Part Number</i>	<i>Qty.</i>	<i>Description</i>
1	132-7210	1	Frame Assembly	13	32128-23	6	Nut-HF
2	105-0004-01	1	LH Hinge Pin ASM	14	110-5690	1	Upper ROPS ASM
3	105-0003-01	1	RH Hinge Pin ASM	14:2	108-2073	2	Decal-Warning
4	3256-23	4	Washer-Plain	14:3	108-2074	1	Decal-ROPS
5	3253-4	4	Washer-Lock	14:4	32148-11	4	Nut-Clinch
6	322-5	4	Screw-HH	15	110-5696	2	Spring-Leaf
7	3234-38	8	Screw-HHF	16	32144-10	4	Screw-HWH
8	105-2513-03	1	Mount-Air Cleaner	17	103-4553	2	Pin-Fold, ROPS
10	110-5693-03	1	ROPS-Lower	18	325-13	2	Screw-HH
11	3256-26	6	Washer-Flat	19	114-2867-03	4	Bracket-Mount, Engine
12	325-18	4	Screw-HH				



Frame Assembly No. 132-7210

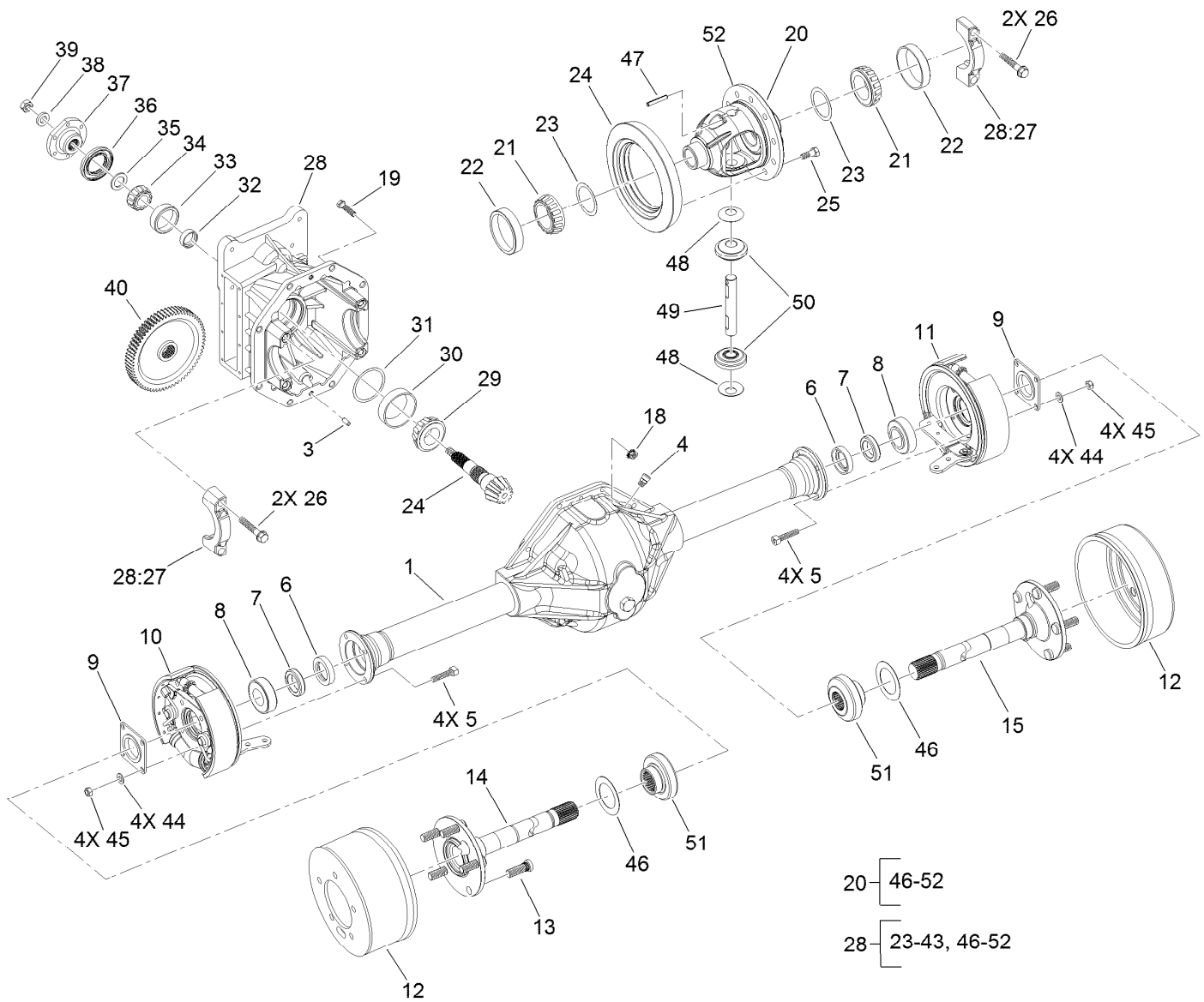
<i>Ref.</i>	<i>Part Number</i>	<i>Qty.</i>	<i>Description</i>
2	93-7834	1	Decal-Footrest, RH
3	66-3200	1	Tread-Footrest, LH
4	106-9206	2	Decal-Torque, Wheel
6	93-6686	1	Decal-Oil, HYD
7	105-7160	1	Pad-Floor
8	32148-10	4	Nut-Clinch
9	67-1300	1	Decal
10	32148-9	1	Nut-Clinch



Front Axle and Wheel Assembly

Ref.	Part Number	Qty.	Description
1	131-6061-03	1	Axle ASM
2	2810-1	1	Coupling-Pipe
3	3256-25	4	Washer-Flat
4	324-5	4	Screw-HH
5	3296-48	4	Nut-Lock, NI
6	110-9678	2	Bracket-Carrier
7	3253-8	4	Washer-Lock
8	3273-38	4	Screw-HSH
9	105-7169	1	Tube-Fill, Oil

Ref.	Part Number	Qty.	Description
10	105-7172	1	Dipstick ASM
11	117-0821	2	Wheel And Tire ASM
11:1	117-0822	1	Wheel
11:2	117-0823	1	Tire-Standard
11:3	232-27	1	Stem-Valve
12	242-50	10	Nut-Lug
13	110-5651	1	Sleeve-Protective
14	289-6	1	Nipple-Pipe

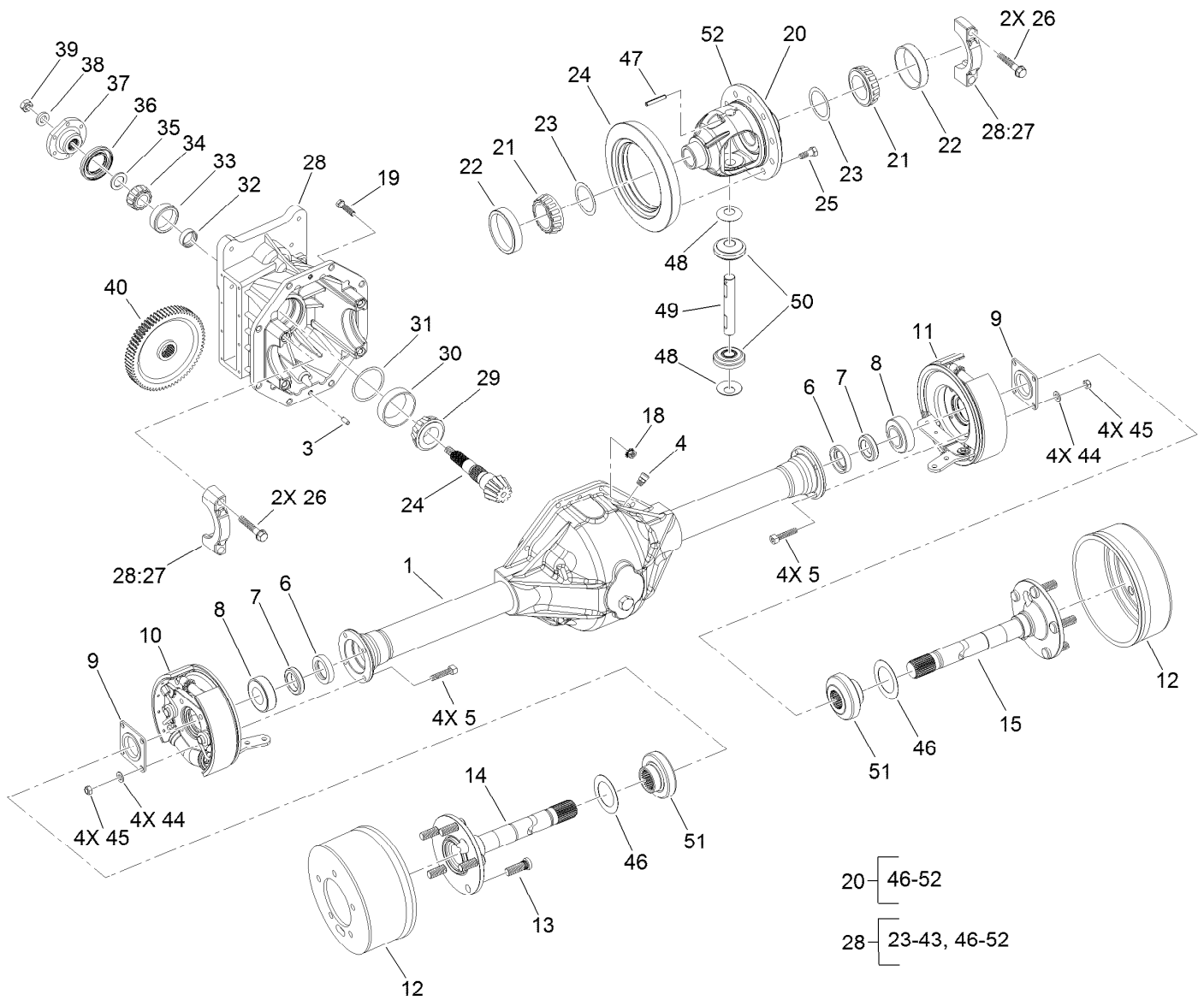


Front Axle Assembly No. 131-6061-03

Ref.	Part Number	Qty.	Description	Ref.	Part Number	Qty.	Description
1	110-9670	1	Lower Housing ASM	21	254-65	2	Bearing-Roller, Cone
3	21-8270	2	Pin-Dowel	22	254-66	2	Cup-Bearing, Roller
4	72-9420	1	Vent	23	21-8090	2	Shim-Bearing, Differential (.003)
5	94-6934	8	Screw-HH	23	21-8100	2	Shim-Bearing, Differential (.005)
6	24-8840	2	Ring-Retaining, Wheel Bearing	23	21-8110	2	Shim-Bearing, Differential (.010)
7	99-6969	2	Seal-Oil, Wheel End	23	21-8120	2	Shim-Bearing, Differential (.030)
8	21-8180	2	Bearing ASM	24	92-1676	1	Gear And Pinion ASM
9	28-0670	2	Seal-Grease	25	21-7770	5	Screw-Gear, Drive
10	132-7284	1	RH Brake ASM	26	92-1773	4	Screw-HHF
11	132-7285	1	LH Brake ASM	28	132-7286	1	Carrier Sub ASM
12	110-3072	2	Drum-Brake	28:27		2	Cap-Bearing ●
13	106-9205	10	Stud-Wheel	29	43-6760	1	Bearing-Roller, Cone Taper
14	110-3073	1	Shaft-Axle, RH	30	43-6750	1	Bearing-Taper, Cup
15	110-3074	1	Shaft-Axle, LH	31	43-6710	1	Shim-Pinion (.003)
18	121-4698	8	Nut-Keps				
19	3210-8	8	Screw-HH				
20	110-4136	1	Differential Case ASM				

20 [46-52
28 [23-43, 46-52

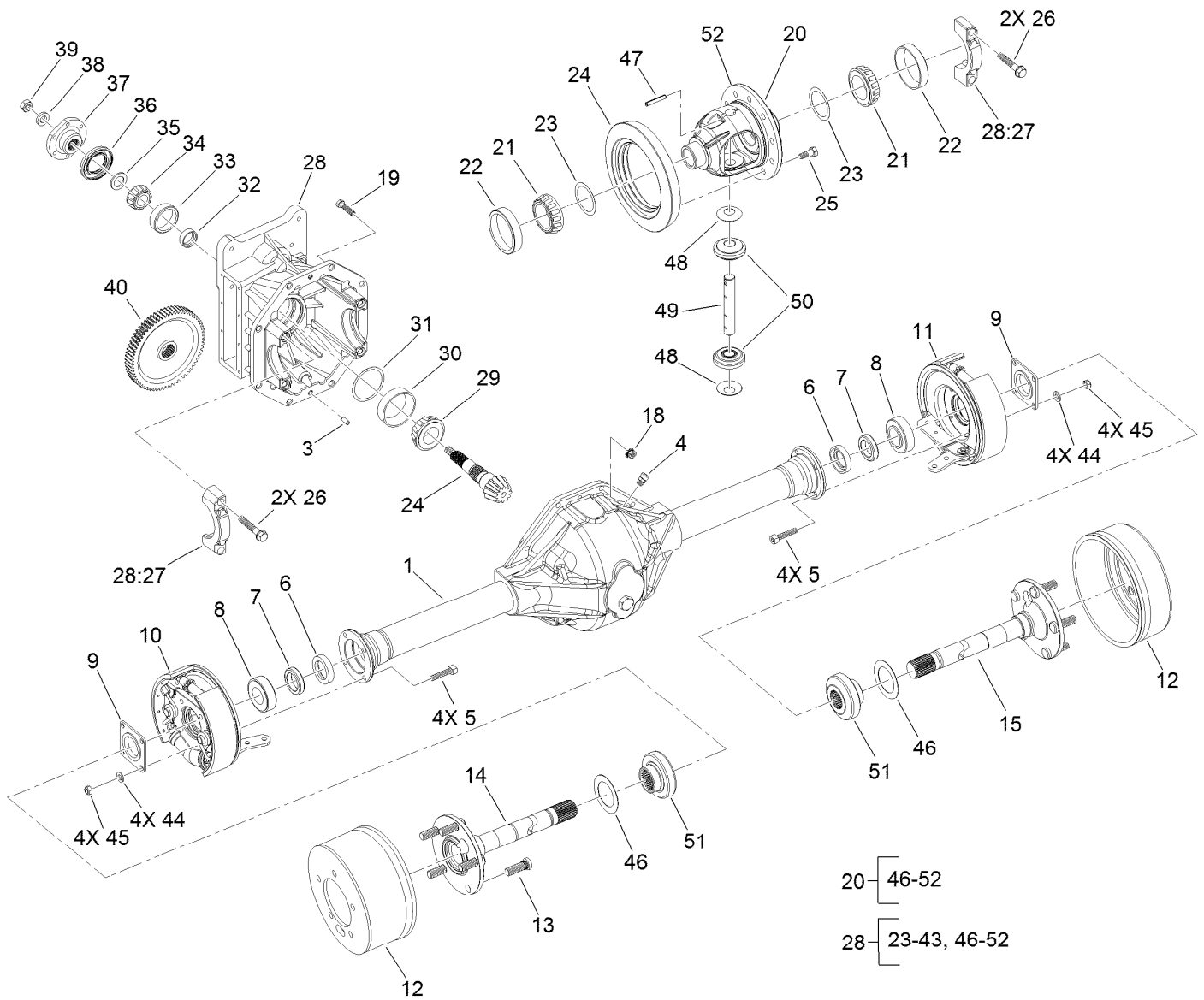
● Not serviced separately



Front Axle Assembly No. 131-6061-03 (continued)

Ref.	Part Number	Qty.	Description	Ref.	Part Number	Qty.	Description
31	43-6711	1	Shim-Pinion (.005)	35	72-3583	1	Shim-Bearing, Front (.118)
31	43-6712	1	Shim-Pinion (.010)	35	72-3584	1	Shim-Bearing, Front (.120)
31	43-6713	1	Shim-Pinion (.030)	35	72-3585	1	Shim-Bearing, Front (.125)
32	21-8020	1	Spacer-Bearing	35	72-3586	1	Shim-Bearing, Front (.127)
33	254-90	1	Bearing-Cup	35	72-3587	1	Shim-Bearing, Front (.129)
34	254-91	1	Cone-Bearing	35	72-3588	1	Shim-Bearing, Front (.131)
35	72-3570	1	Shim-Bearing, Front (.094)	35	72-3590	1	Shim-Bearing, Front (.133)
35	72-3571	1	Shim-Bearing, Front (.096)	35	72-3591	1	Shim-Bearing, Front (.135)
35	72-3572	1	Shim-Bearing, Front (.098)	35	72-3592	1	Shim-Bearing, Front (.137)
35	72-3573	1	Shim-Bearing, Front (.100)	35	72-3593	1	Shim-Bearing, Front (.139)
35	72-3574	1	Shim-Bearing, Front (.102)	35	72-3594	1	Shim-Bearing, Front (.141)
35	72-3575	1	Shim-Bearing, Front (.104)	35	72-3595	1	Shim-Bearing, Front (.143)
35	72-3576	1	Shim-Bearing, Front (.106)	35	72-3596	1	Shim-Bearing, Front (.145)
35	72-3577	1	Shim-Bearing, Front (.108)	35	72-3597	1	Shim-Bearing, Front (.147)
35	72-3578	1	Shim-Bearing, Front (.110)	35	72-3598	1	Shim-Bearing, Front (.149)
35	72-3580	1	Shim-Bearing, Front (.112)	35	72-3600	1	Shim-Bearing, Front (.151)
35	72-3581	1	Shim-Bearing, Front (.114)	36	71-4330	1	Seal
35	72-3582	1	Shim-Bearing, Front (.116)	37	68-7010	1	Flange

● Not serviced separately

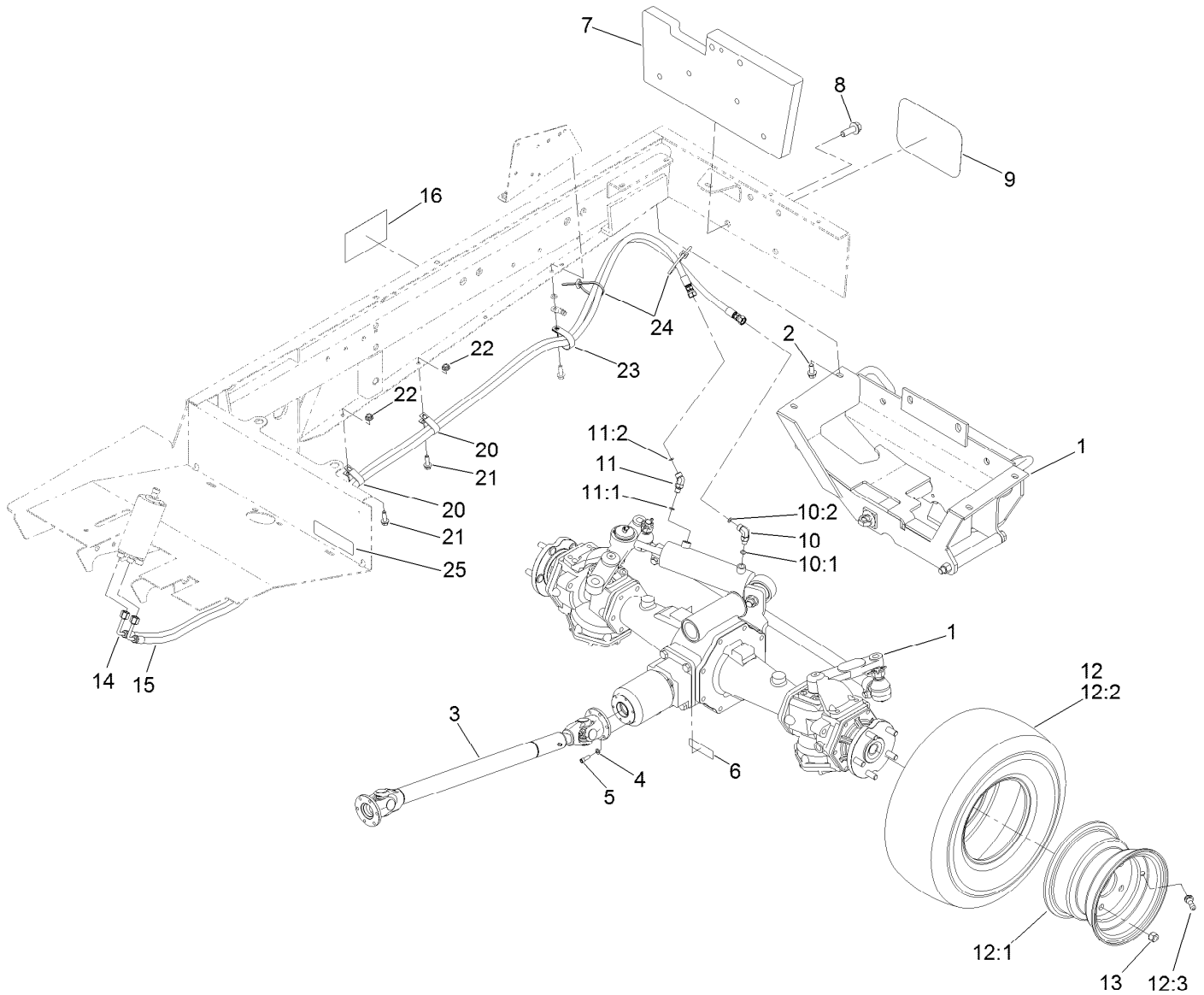


Front Axle Assembly No. 131-6061-03 (continued)

Ref.	Part Number	Qty.	Description
38	71-4340	1	Washer
39	71-4350	1	Nut
40	86-7230	1	Gear-Input, Transmission
44	94-6936	8	Washer-Hardened
45	94-6935	8	Locknut
46	110-3077	2	Washer-Thrust

Ref.	Part Number	Qty.	Description
47	42150	1	Pin-Lock, Pinion
48	21-7730	2	Washer-Thrust, Pinion
49	21-7700	1	Shaft-Mate, Pinion
50	110-3079	2	Pinion-Differential
51	110-3078	2	Gear-Differential
52	21-7670	1	Case-Differential

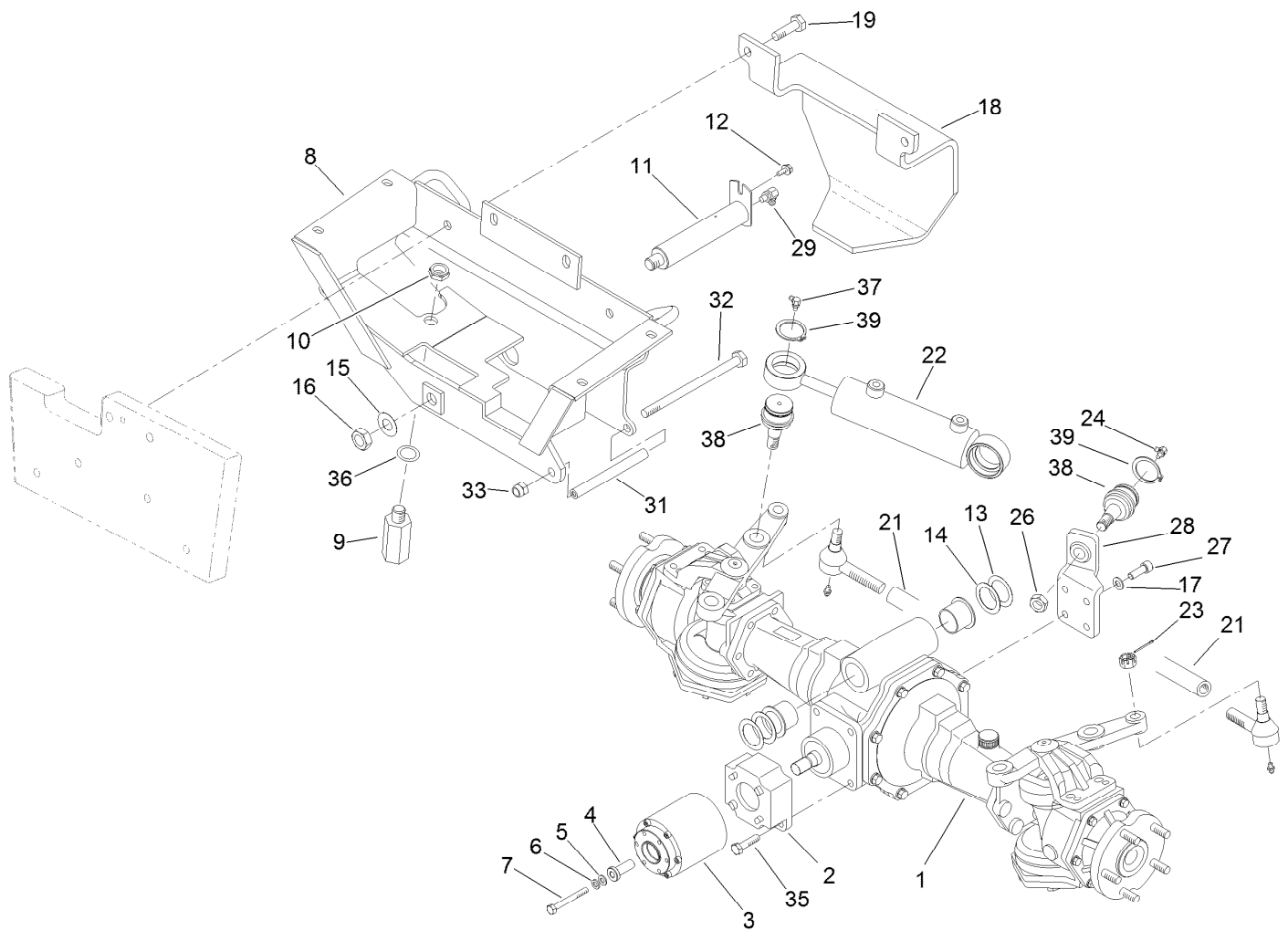
● Not serviced separately



Rear Drive Installation Assembly

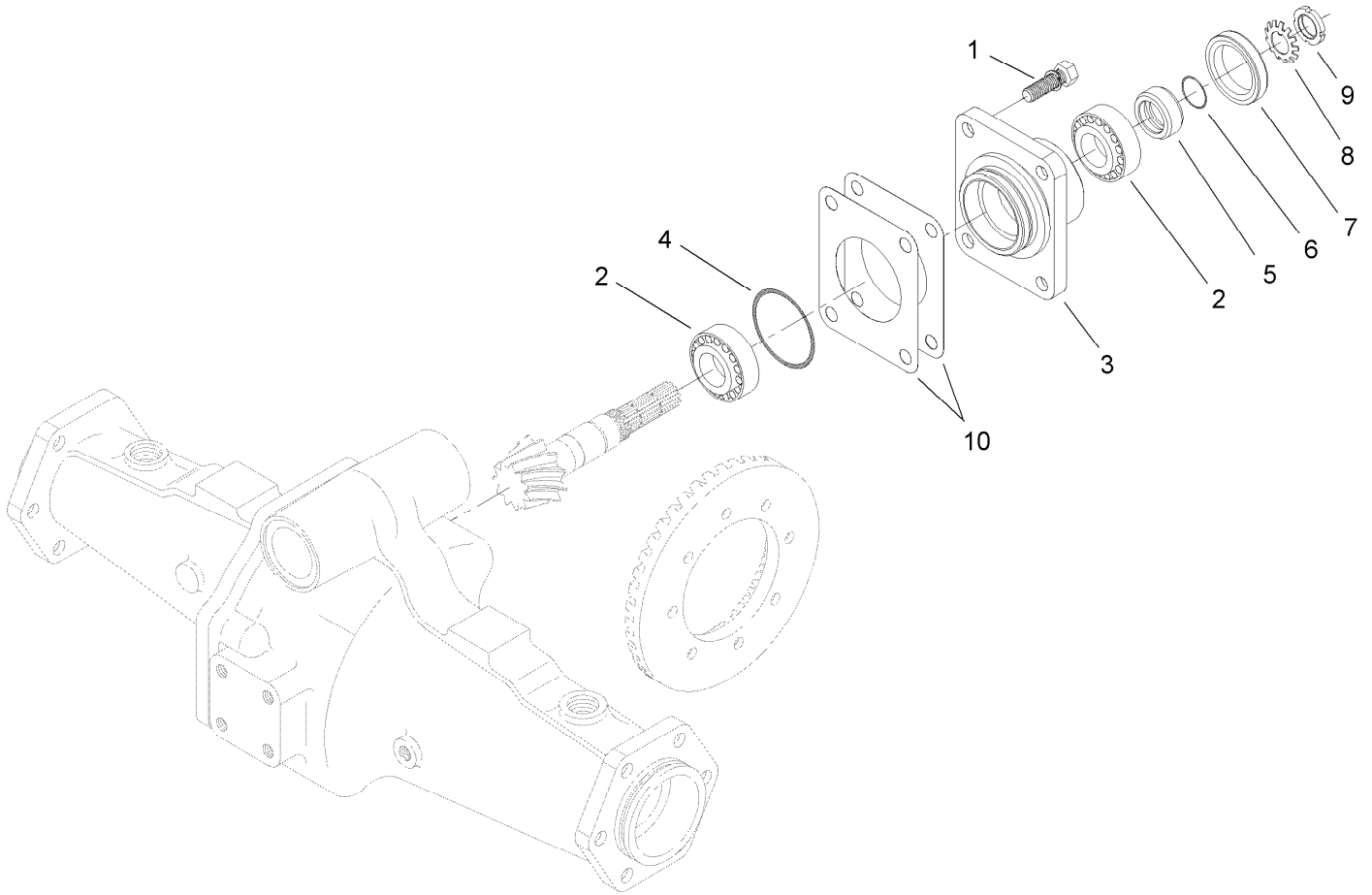
Ref.	Part Number	Qty.	Description	Ref.	Part Number	Qty.	Description
1	99-2418	1	Rear Axle ASM	12		2	Tire And Wheel ASM ●
2	3234-25	4	Screw-HHF	12:1	105-7846	1	Wheel
3	98-5009	1	Driveshaft ASM	12:2	231-122	1	Tire-4-Ply
4	3253-3	12	Washer-Lock	12:3	232-27	1	Stem-Valve
5	3274-8	12	Screw-HSH	13	93-5268	10	Nut-Lug
6	93-6697	1	Decal-Lube	14	108-2084	1	Hose ASM
7	110-1995-03	1	Weight-Rear, Inside	15	108-2085	1	Hose ASM
8	100-6116	2	Screw-HHF	16	94-8099	2	Decal
9	62-7400	1	Decal	20	92-5753	2	Clamp-Hose
10	340-132	1	Fitting-Elbow, 90 DEG	21	3234-17	2	Screw-HHF
10:1	237-78	1	O-Ring	22	32128-20	2	Nut-HF
10:2	237-21	1	O-Ring	23	2412-74	1	R-Clamp
11	340-103	1	Fitting-HYD, 45 DEG	24	3290-378	2	Tie-Cable
11:1	237-78	1	O-Ring	25	133-8062	1	Decal-Arrestor, Spark
11:2	237-21	1	O-Ring				

● Not serviced separately



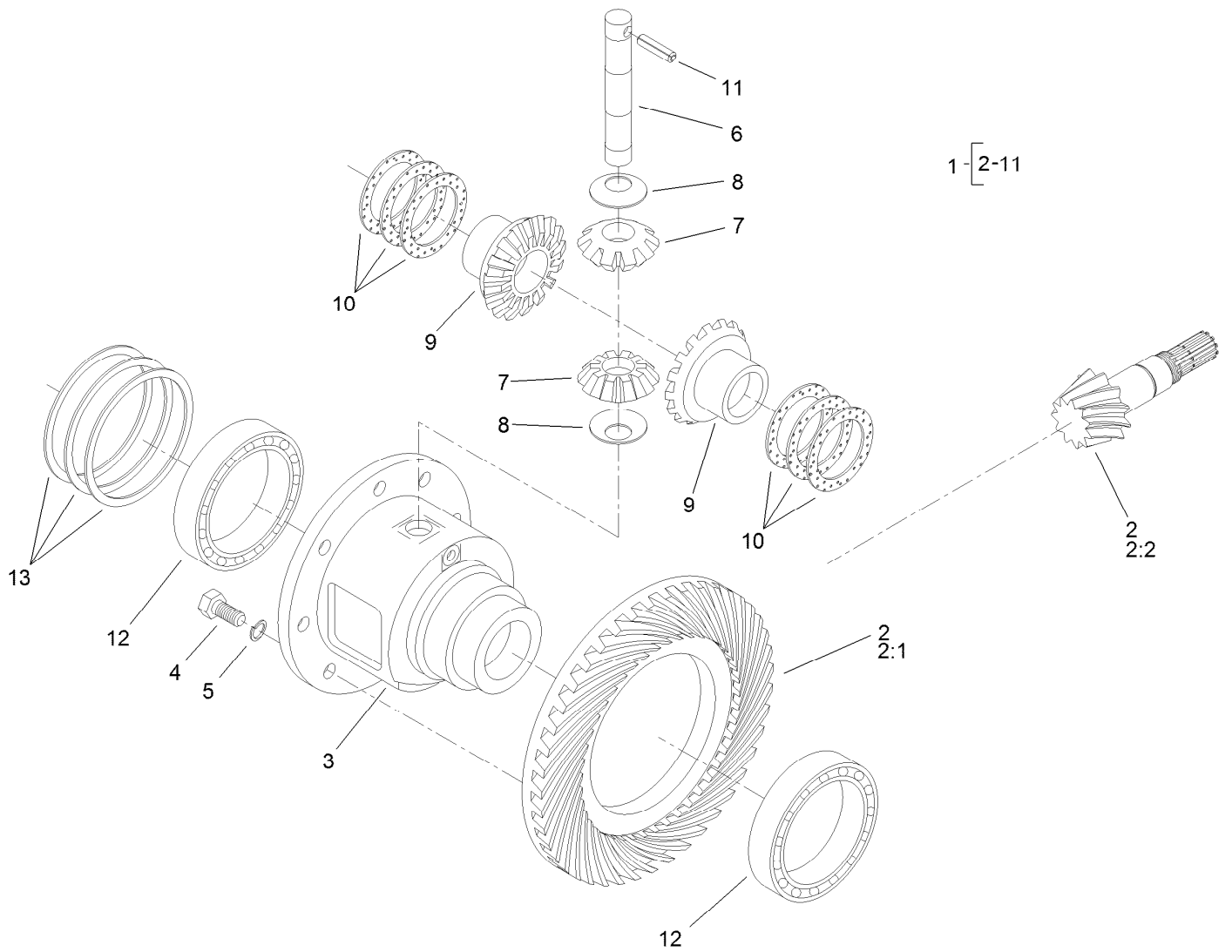
Rear Axle Assembly

Ref.	Part Number	Qty.	Description	Ref.	Part Number	Qty.	Description
1	106-1120	1	Rear Axle ASM	19	100-6116	2	Screw-HHF
2	98-3860-03	1	Adaptor-Locator, Clutch	21	98-3871-03	1	Tie Rod ASM
3	95-6296	1	Clutch-Bidirectional	22	99-2415	1	HYD Cylinder ASM
4	98-1823	1	Spacer	23	3272-11	2	Pin-Cotter
5	33094-00	1	Washer-Plain	24	302-11	1	Fitting-Lube, 45 DEG
6	3253-4	1	Washer-Lock	26	3220-6	4	Nut-Jam
7	33114-050	1	Screw-HH	27	115-4522	4	Screw-Cap, HH
8	105-4295-03	1	Axle Support ASM	28	98-3862-03	1	Bracket-Support, Cylinder
9	98-3863	1	Stop-Oscillation	29	302-33	1	Fitting-Grease
10	3296-15	1	Nut-Lock, NI	31	99-2404-03	1	Stop-Rear Axle, LH
11	99-8434-03	1	Rear Axle Pin ASM	32	325-36	1	Screw-HH
12	32144-14	1	Screw-HWHTF	33	3296-23	1	Nut-Lock, NI
13	99-8431	2	Washer-Thrust	35	87-3700	2	Screw-Cap, HH
14	99-8432	1	Washer-Thrust	36	3256-28	1	Washer-Flat
15	71-4540	1	Washer-Thrust	37	302-5	1	Fitting-Grease
16	32146-20	1	Nut-Hex	38	106-6774	2	Joint-Ball
17	48-9220	4	Washer-Plain	39	32151-104	2	Ring-Retaining, External
18	99-2405-03	1	Bumper				



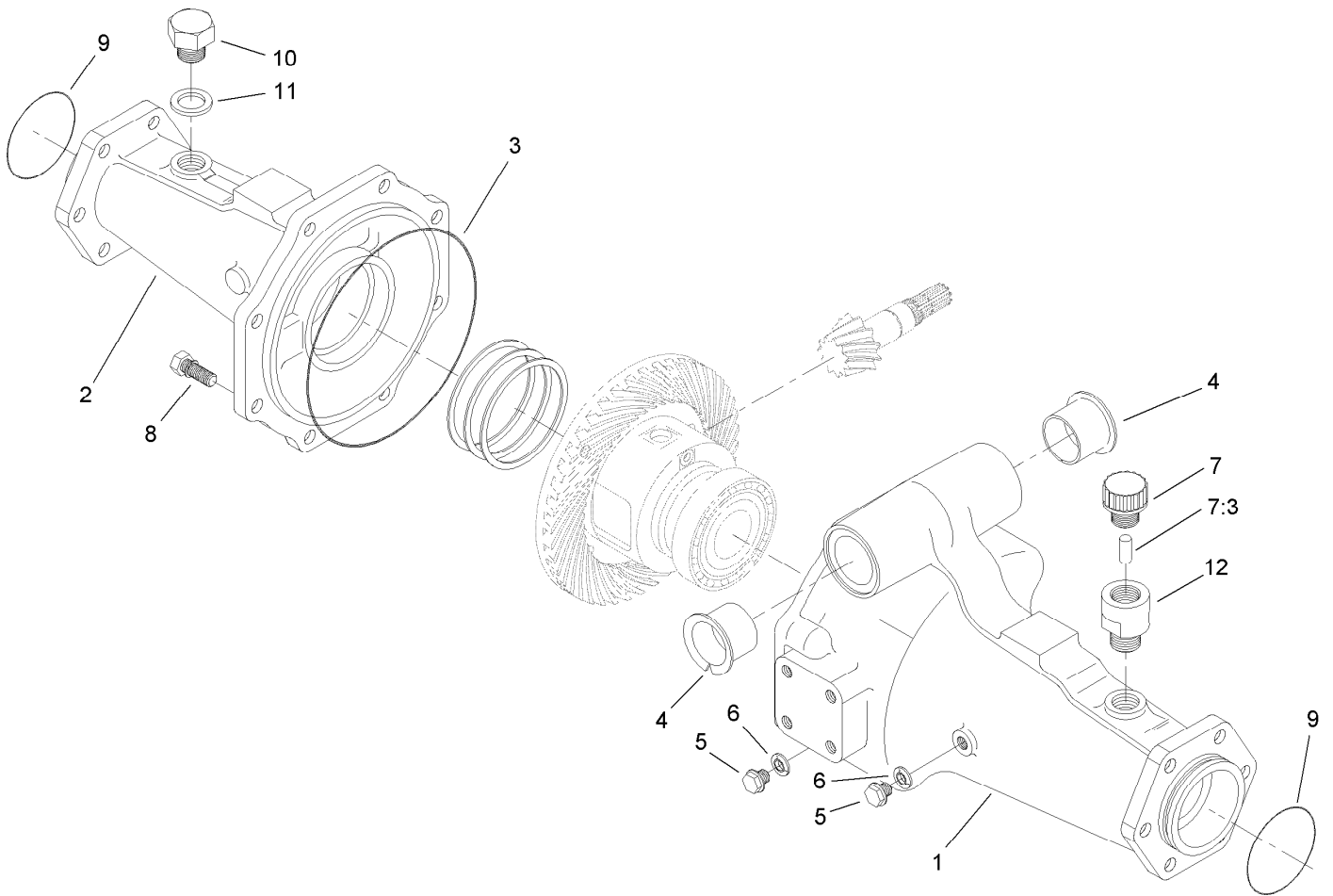
Bevel Pinion Shaft Assembly Rear Axle Assembly No. 106-1120

<i>Ref.</i>	<i>Part Number</i>	<i>Qty.</i>	<i>Description</i>
1	99-7575	4	Bolt
2	99-7570	2	Bearing-Roller, Taper
3	95-7535	1	Case-Bearing
4	106-1065	1	O-Ring
5	99-7572	1	Collar-Seal, Oil
6	106-1066	1	O-Ring
7	99-7574	1	Seal-Oil
8	99-7559	1	Washer-Lock
9	99-7560	1	Nut-Lock
10	99-7550	2	Shim 0.1
10	99-7551	2	Shim 0.2



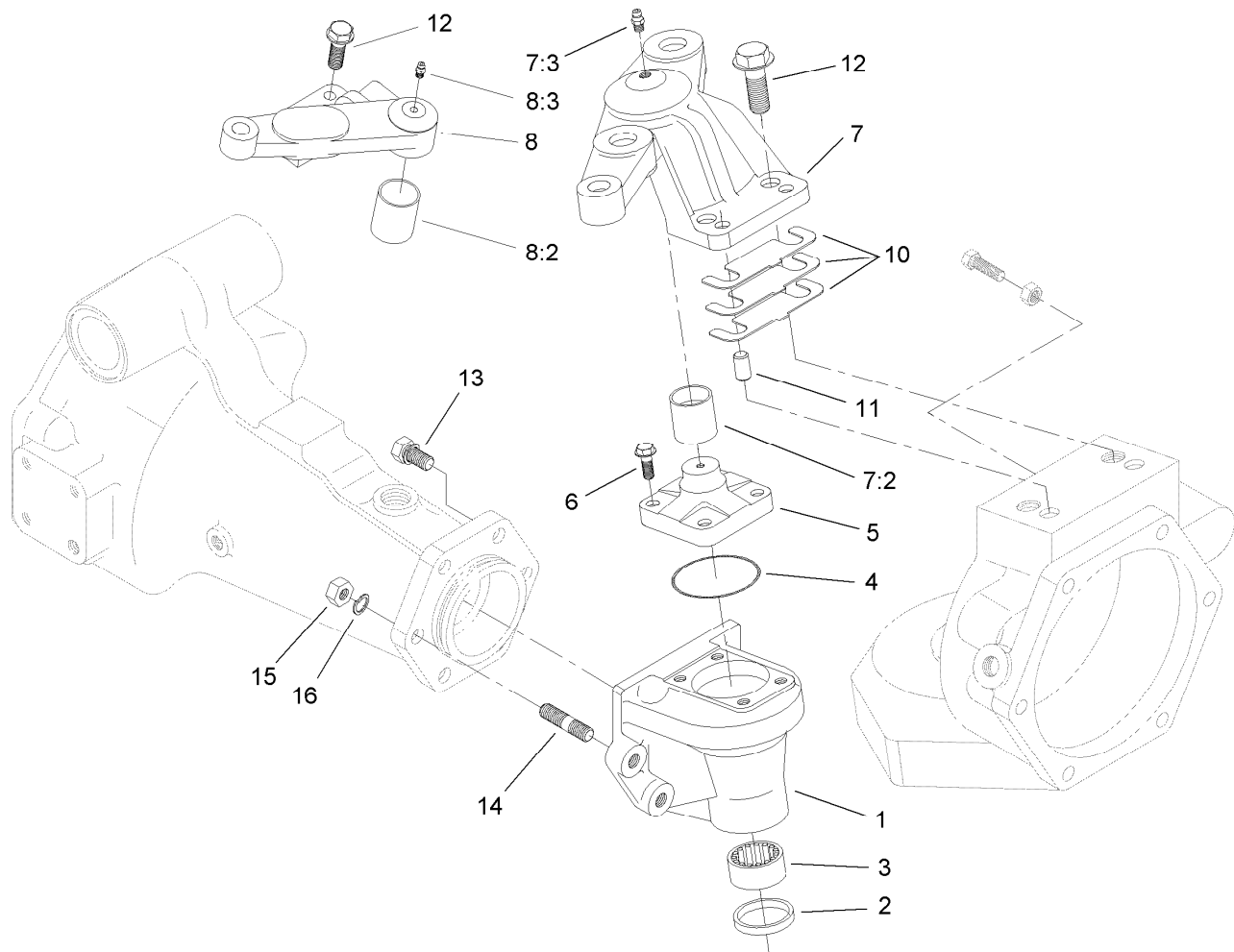
Differential Assembly Rear Axle Assembly No. 110-4750

<i>Ref.</i>	<i>Part Number</i>	<i>Qty.</i>	<i>Description</i>	<i>Ref.</i>	<i>Part Number</i>	<i>Qty.</i>	<i>Description</i>
1	95-7503	1	Differential ASM	9	99-7581	2	Gear-Differential
2	106-1093	1	Ring And Pinion Set	10	99-7582	2	Washer-Differential
2:1	95-7504	1	Gear-43 Tooth, Bevel Spiral	10	99-7583	2	Washer-Differential
2:2	106-1092	1	Pinion-Spiral, Bevel	10	99-7584	2	Washer-Differential
3	95-7502	1	Case-Differential	11	99-7588	1	Pin-Spring
4	99-7576	8	Bolt	12	99-7562	2	Bearing-Ball
5	3253-4	8	Washer-Lock	13	99-7585	2	Shim 0.1
6	99-7578	1	Shaft-Differential	13	99-7586	2	Shim 0.2
7	99-7579	2	Pinion-Differential	13	99-7587	2	Shim 0.4
8	99-7580	2	Washer-Differential				



Axle Support Assembly Rear Axle Assembly No. 106-1120

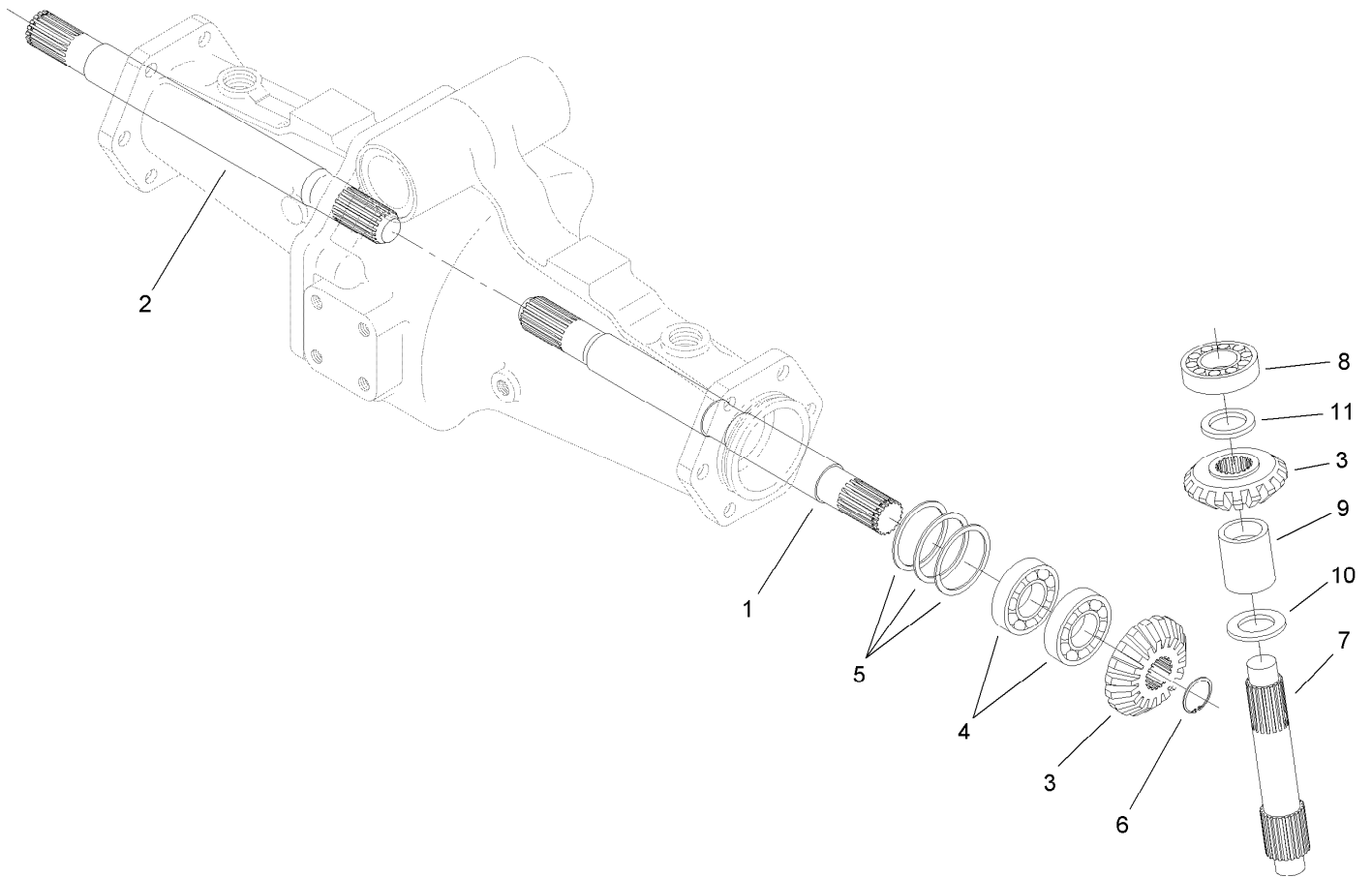
<i>Ref.</i>	<i>Part Number</i>	<i>Qty.</i>	<i>Description</i>
1	95-7508	1	Support-Axle
2	95-7506	1	Support-Axle
3	106-1067	1	O-Ring
4	95-7537	2	Bushing-Flanged
5	99-7589	2	Plug
6	99-7590	2	Washer-Seal
7	110-4812	1	Axle Vent ASM
7:3	110-4815	1	Insert-Filter, Foam
8	99-7592	8	Bolt
9	106-1068	2	O-Ring
10	104-8643	1	Plug
11	104-8644	1	O-Ring
12	104-2377	1	Extension-Vent



Bevel Gear Case Assembly Drive Axle Assembly No. 106-1120

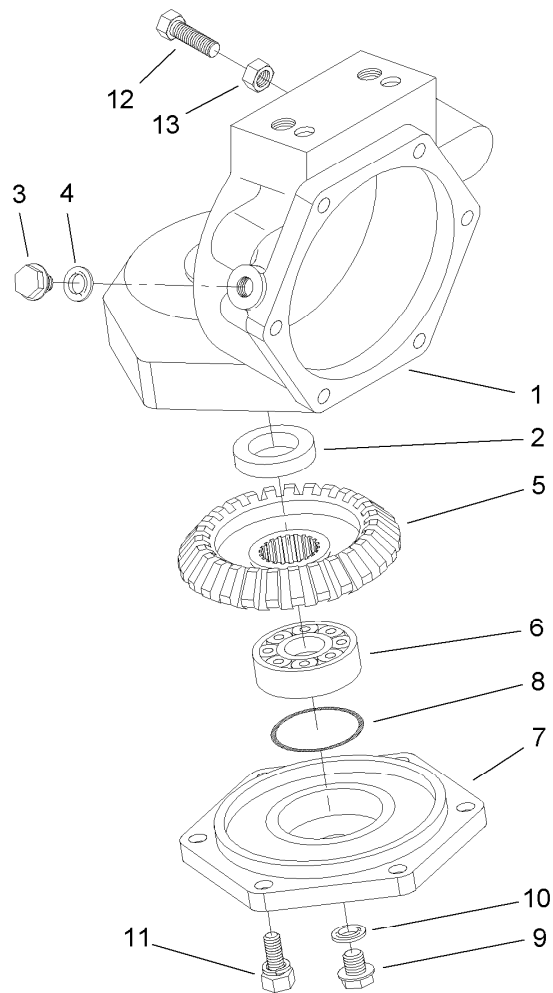
Ref.	Part Number	Qty.	Description
1	106-1099	2	Case-Gear, Bevel
2	99-7594	2	Seal-Oil
3	99-7595	2	Bearing-Needle
4	106-1069	2	O-Ring
5	104-2373	2	Knuckle
6	104-2374	8	Bolt
7	110-4757	1	LH Axle Case Support ASM
7:2	99-7529	1	Bushing ●
7:3	99-7528	1	Nipple-Grease
8	110-4756	1	RH Axle Case Support ASM
8:2	99-7529	1	Bushing ●
8:3	99-7528	1	Nipple-Grease
10	95-7547	2	Shim 0.1
10	95-7548	2	Shim 0.2
10	95-7549	2	Shim 0.3
11	99-7597	4	Pin-Dowel
12	99-7598	4	Bolt
13	99-7599	8	Bolt
14	99-7525	4	Stud
15	99-7526	4	Nut
16	99-7527	4	Washer-Spring

● Not serviced separately



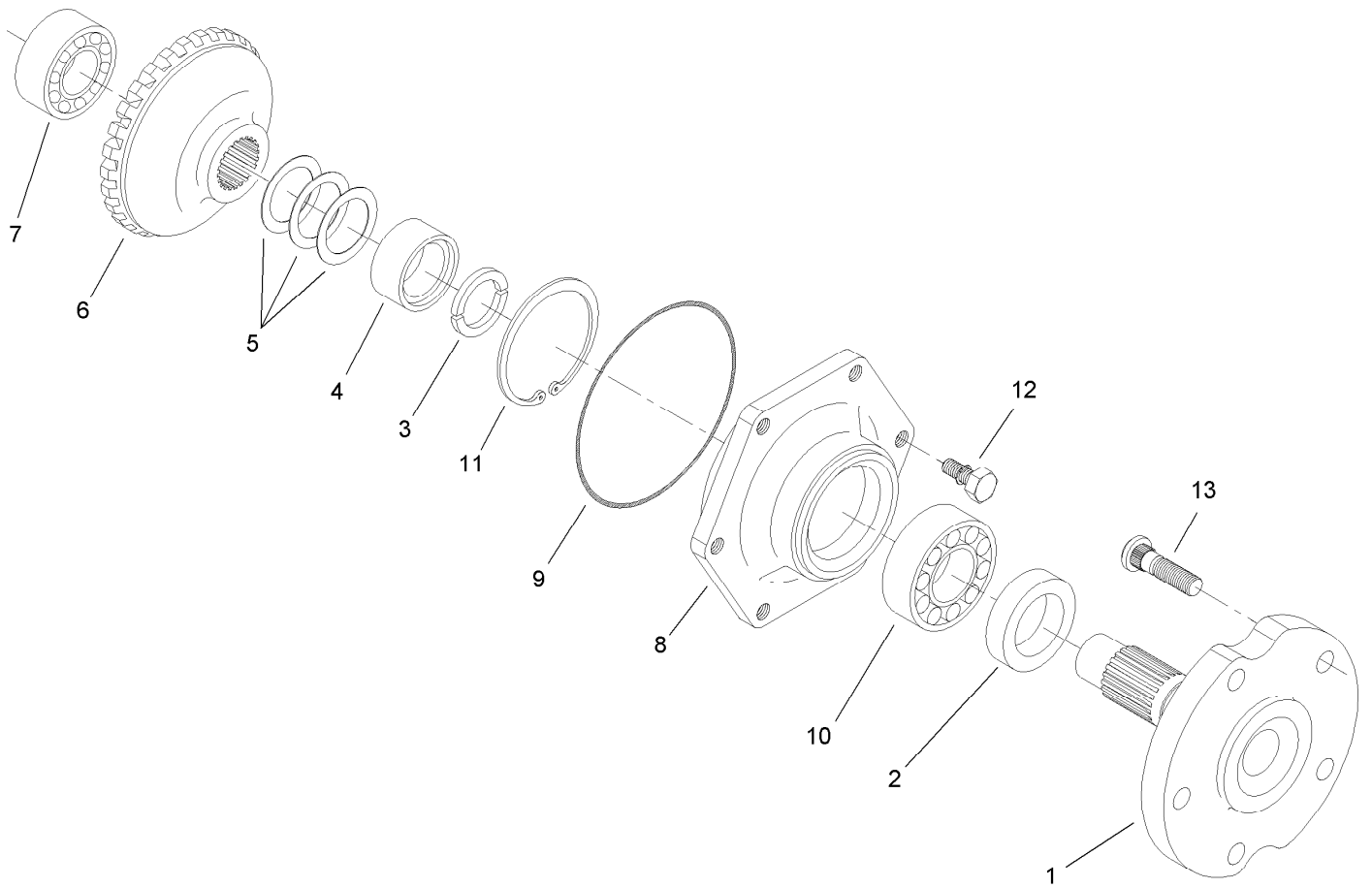
Bevel Gear Shaft Assembly Rear Axle Assembly No. 106-1120

Ref.	Part Number	Qty.	Description
1	95-7509	1	Shaft-Gear, Differential
2	95-7512	1	Shaft-Gear, Differential
3	95-7518	4	Gear-Bevel, 18 Tooth
4	99-7530	4	Bearing-Ball
5	99-7552	2	Shim 0.1
5	99-7553	2	Shim 0.2
5	99-7554	2	Shim 0.5
6	99-7531	2	Clip
7	106-1101	2	Shaft-Gear, Bevel
8	99-7532	2	Bearing-Roller, Taper
9	95-7543	2	Spacer
10	99-7533	2	Collar-Thrust
11	99-7558	2	Collar



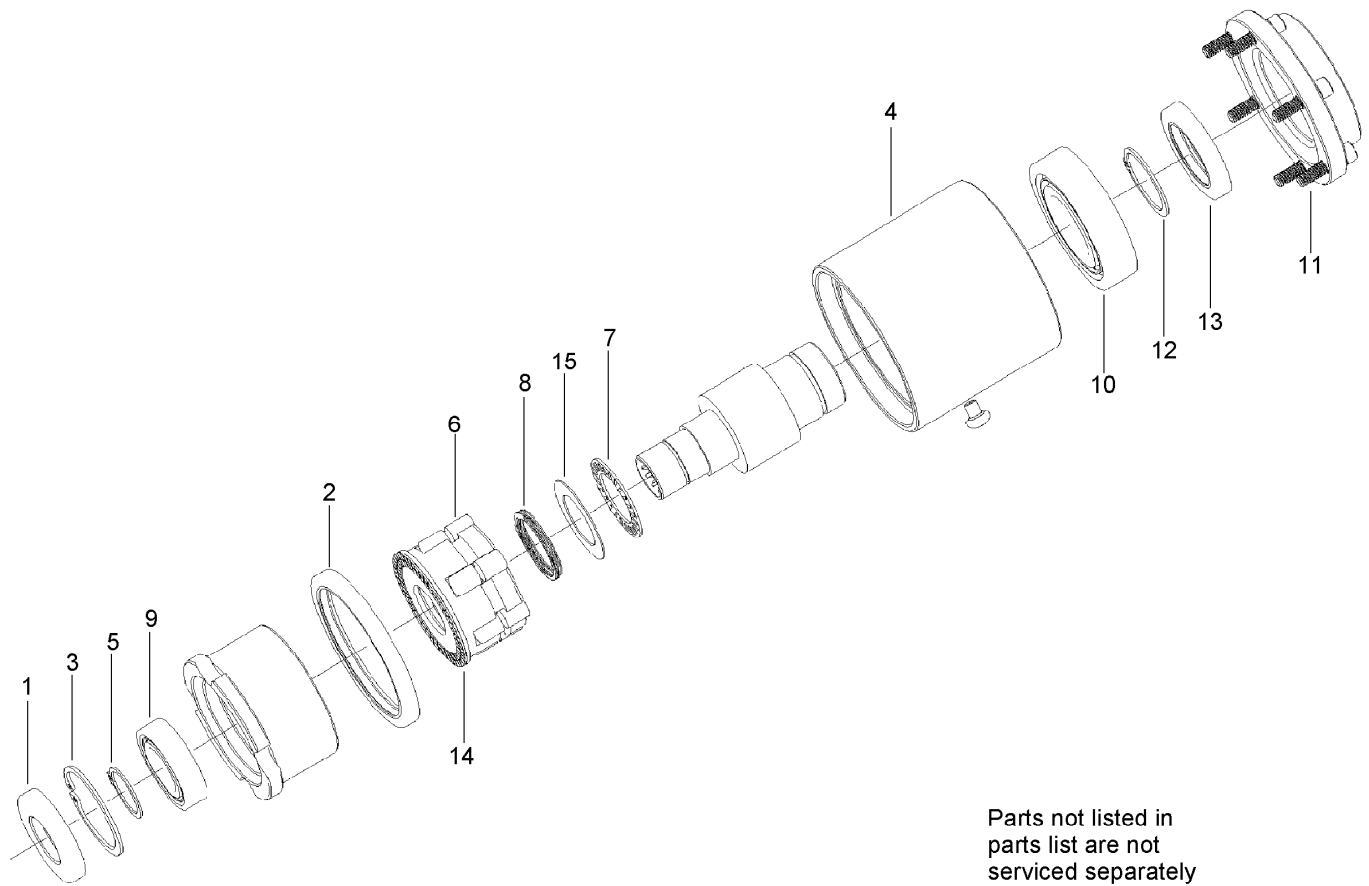
Axle Case Assembly Rear Axle Assembly No. 106-1120

<i>Ref.</i>	<i>Part Number</i>	<i>Qty.</i>	<i>Description</i>
1	106-1100	2	Case-Axle
2	99-7594	2	Seal-Oil
3	99-7535	2	Plug
4	99-7536	2	Washer-Seal
5	95-7528	2	Gear-Bevel, 27 Tooth
6	99-7532	2	Bearing-Roller, Taper
7	95-7526	2	Cover-Axle
8	106-1072	2	O-Ring
9	99-7589	2	Plug
10	99-7590	2	Washer-Seal
11	99-7596	12	Bolt
12	106-1102	2	Bolt-Stop
13	106-1103	2	Nut



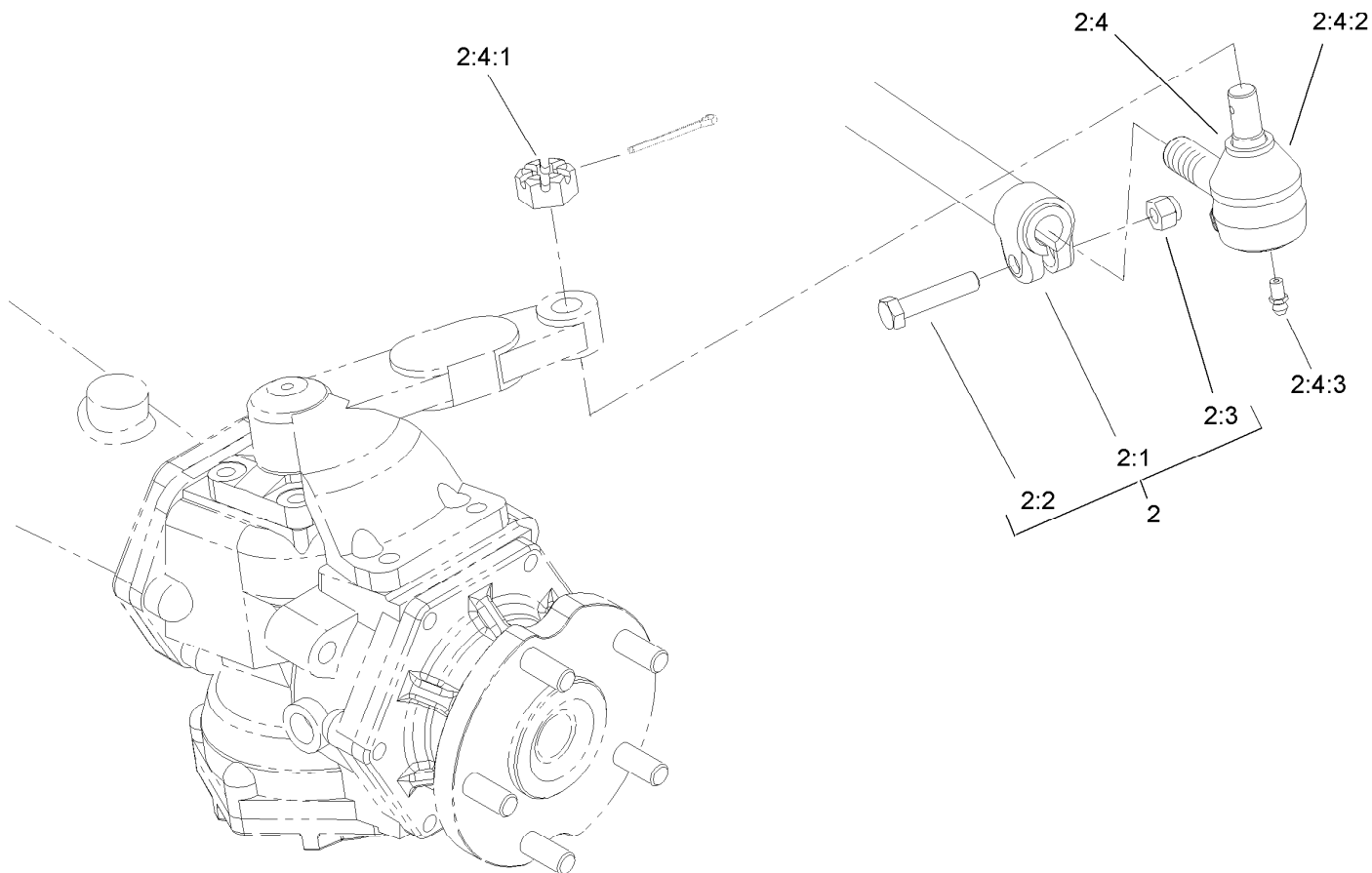
Axle Assembly Rear Axle Assembly No. 106-1120

<i>Ref.</i>	<i>Part Number</i>	<i>Qty.</i>	<i>Description</i>
1	95-7522	2	Axle
2	99-7564	2	Seal-Oil
3	95-7544	4	Clip
4	95-7523	2	Spacer
5	99-7555	2	Shim 0.3
5	99-7556	2	Shim 0.2
5	99-7557	2	Shim 0.5
6	95-7525	2	Gear-Bevel, 27 Tooth
7	99-7534	2	Bearing-Ball
8	95-7521	2	Cover-Axle
9	106-1071	2	O-Ring
10	99-7561	2	Bearing-Ball
11	99-7539	2	Clip
12	99-7596	12	Bolt
13	99-7563	10	Stud



Bi-Directional Clutch Assembly No. 95-6296

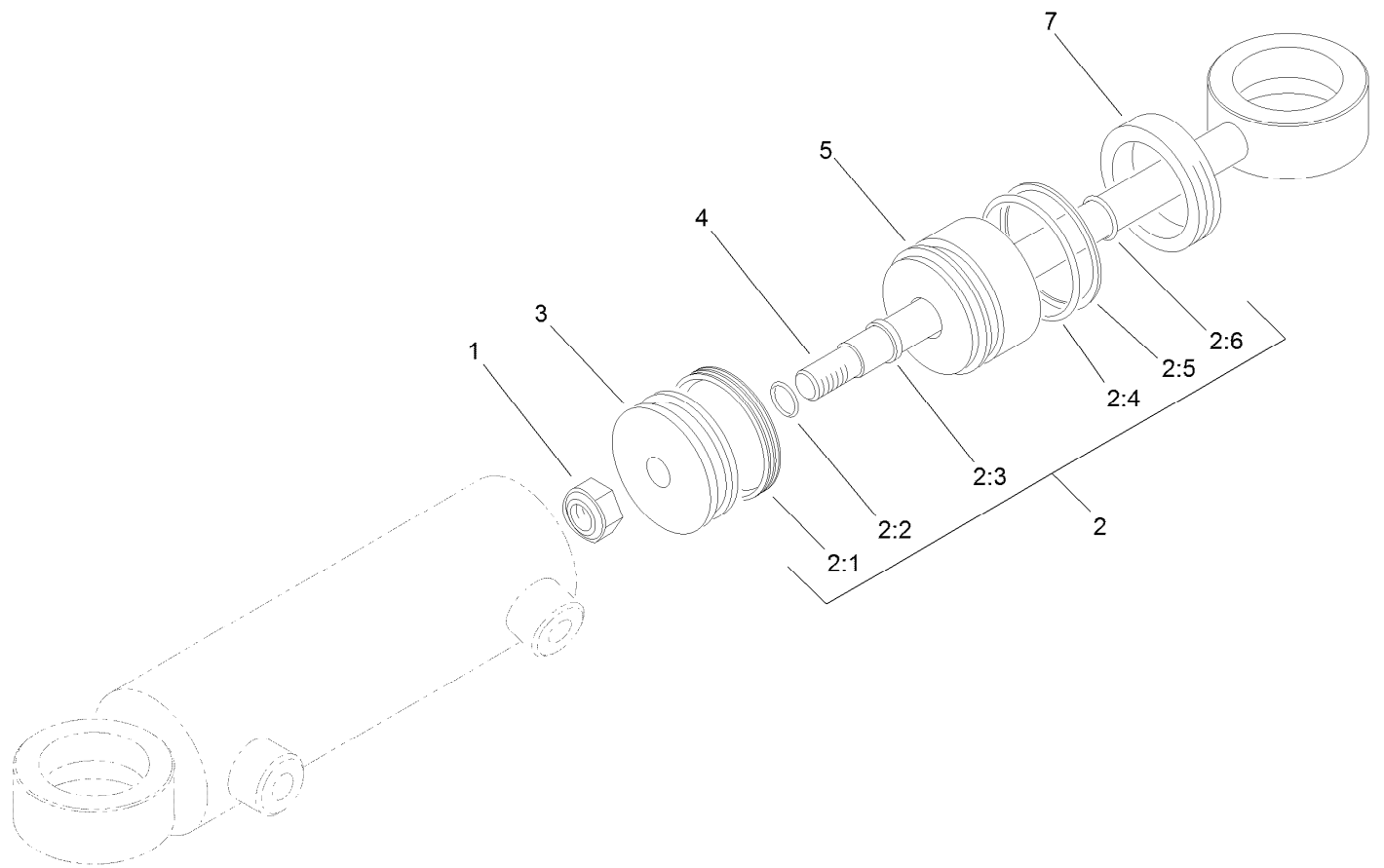
<i>Ref.</i>	<i>Part Number</i>	<i>Qty.</i>	<i>Description</i>
1	100-6589	1	Seal-Oil
2	100-6593	1	Seal-Oil
3	32151-75	1	Ring-Retaining
4	100-6596	1	Screw-PPH
5	100-6597	1	Ring-Snap, External
6	93-8925	6	Roller
7	93-8919	1	Bearing-Needle, Thrust
8	93-8923	1	Spring-Wave
9	99-2902	1	Bearing
10	92-9705	1	Bearing
11	3245-6	6	Screw-HSH
12	32120-84	1	Ring-Snap, External
13	71-6790	1	Seal-Oil
14	100-2568	1	Roll Cage ASM
15	93-8929	1	Washer-Thrust



Tie Rod Assembly No. 98-3871-03

<i>Ref.</i>	<i>Part Number</i>	<i>Qty.</i>	<i>Description</i>
2		1	Tie Rod ASM ●
2:1	99-2412-03	1	Rod And Clamp ASM
2:2	323-9	2	Screw-HH
2:3	3296-39	2	Nut-Lock, NI
2:4	71-4740	2	End-Rod, Tie (RH)
2:4:1	105-7941	1	Nut-Hex, Slotted
2:4:2	105-7835	1	Seal
2:4:3	302-5	1	Fitting-Grease

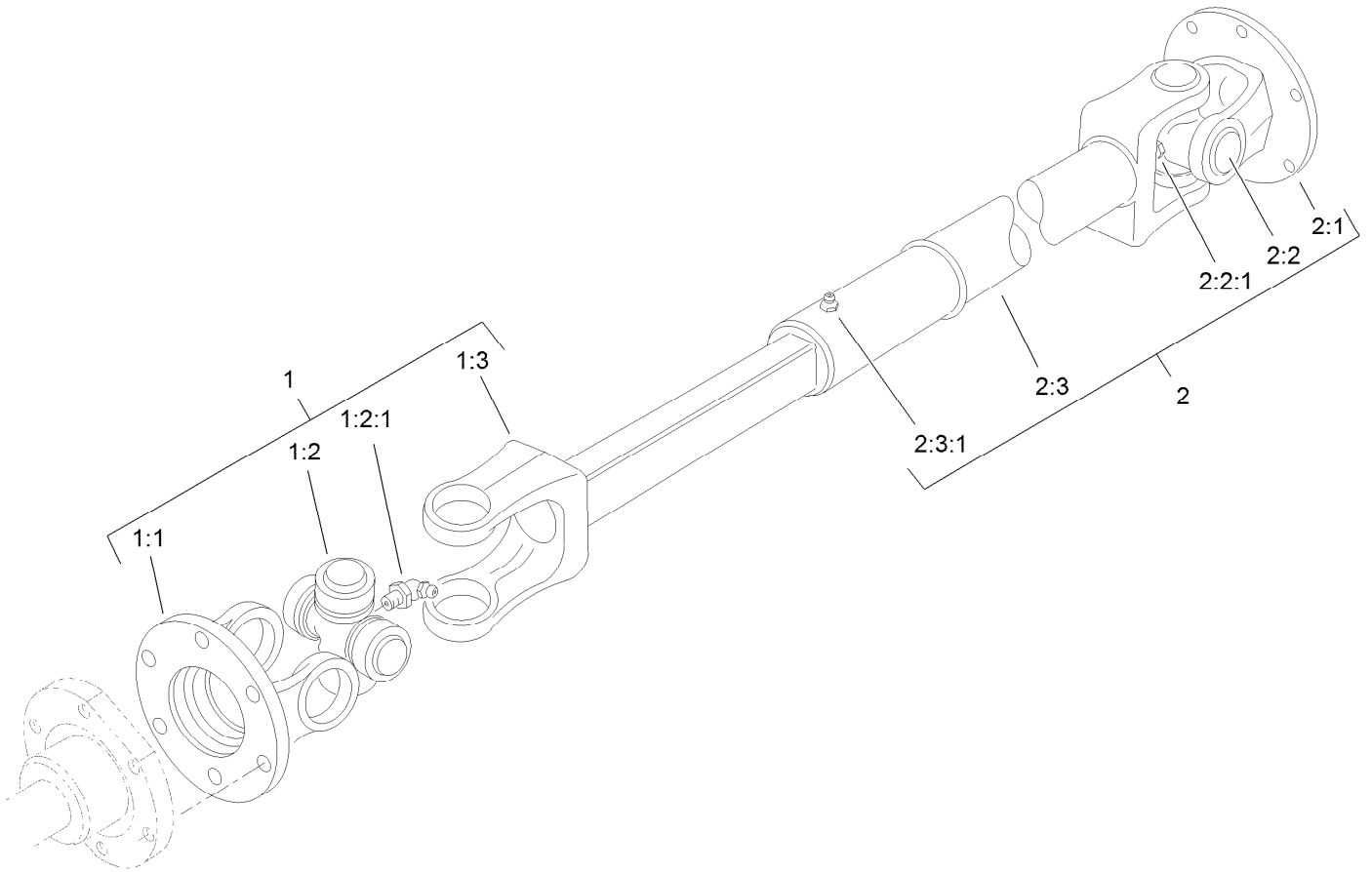
● Not serviced separately



Hydraulic Cylinder Assembly No. 99-2415

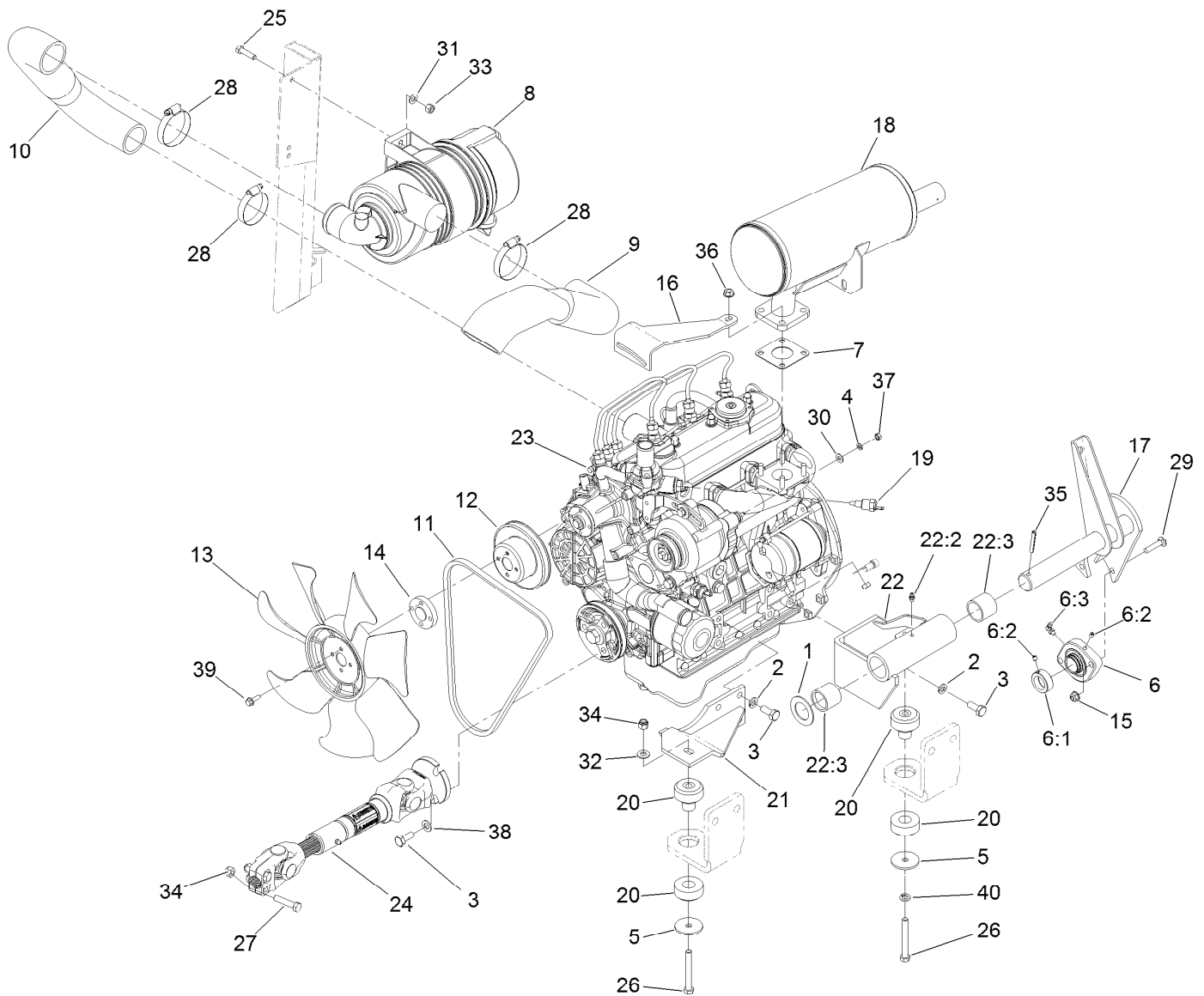
<i>Ref.</i>	<i>Part Number</i>	<i>Qty.</i>	<i>Description</i>
1	32152-10	1	Locknut
2	86-5390	1	Seal Kit
2:1		1	Uniring ●
2:2		1	O-Ring ●
2:3		1	Seal-Rod ●
2:4		1	O-Ring ●
2:5		1	Ring-Backup ●
2:6		1	O-Ring ●
3		1	Piston ●
4		1	Rod ●
5		1	Head ●
7		1	Collar-Internal ●

● Not serviced separately



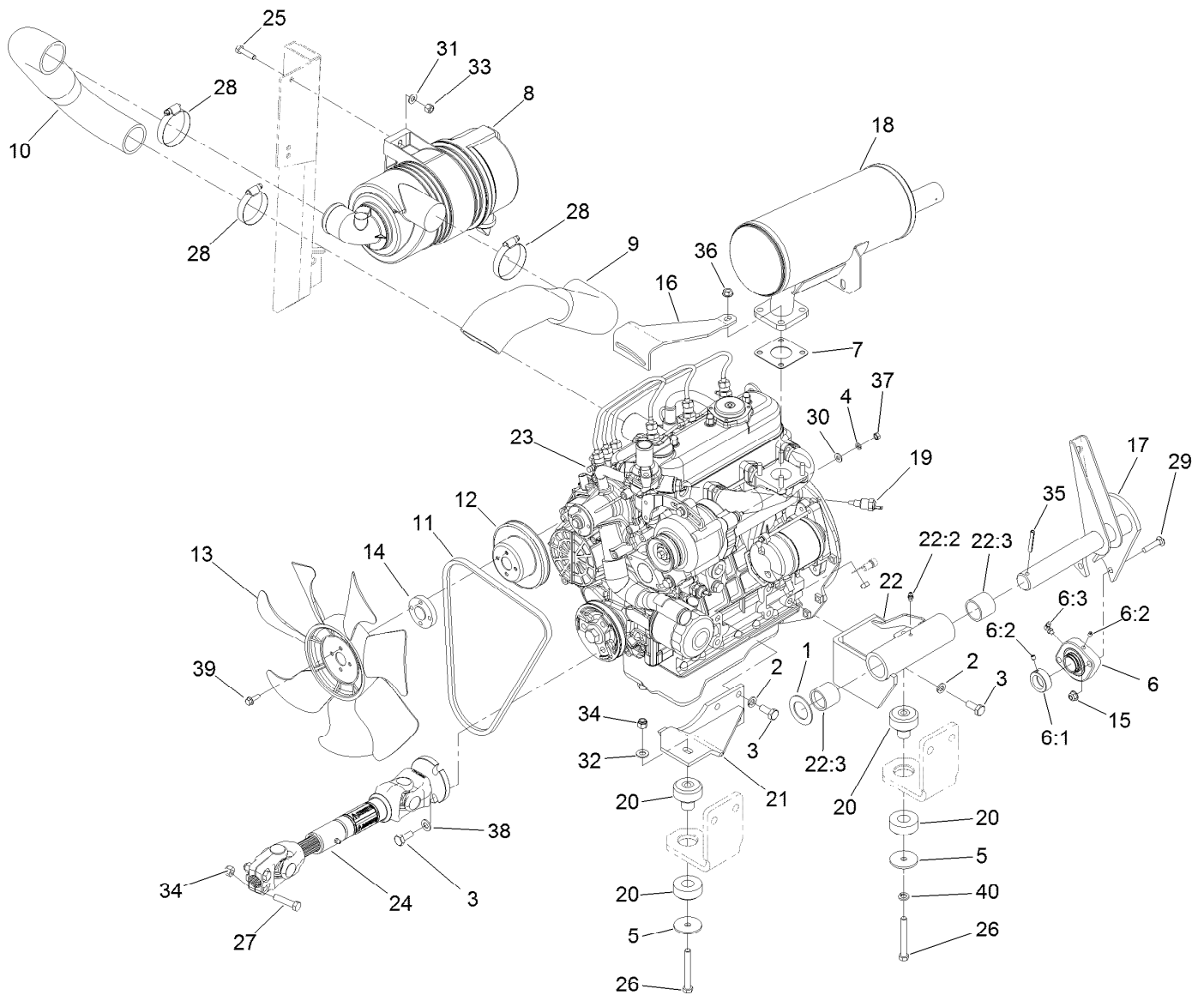
Driveshaft Assembly No. 98-5009

<i>Ref.</i>	<i>Part Number</i>	<i>Qty.</i>	<i>Description</i>
1	92-5096	1	Joint And Shaft ASM
1:1	72-3410	1	Yoke-Flange
1:2	54-9180	1	U-Joint Kit
1:2:1	62-3820	1	Fitting-Grease
1:3	72-3420	1	Yoke And Shaft ASM
2	98-3882	1	Joint And Tube ASM
2:1	72-3410	1	Yoke-Flange
2:2	54-9180	1	U-Joint Kit
2:2:1	62-3820	1	Fitting-Grease
2:3	72-3431	1	Yoke And Tube ASM
2:3:1	302-58	1	Fitting-Straight



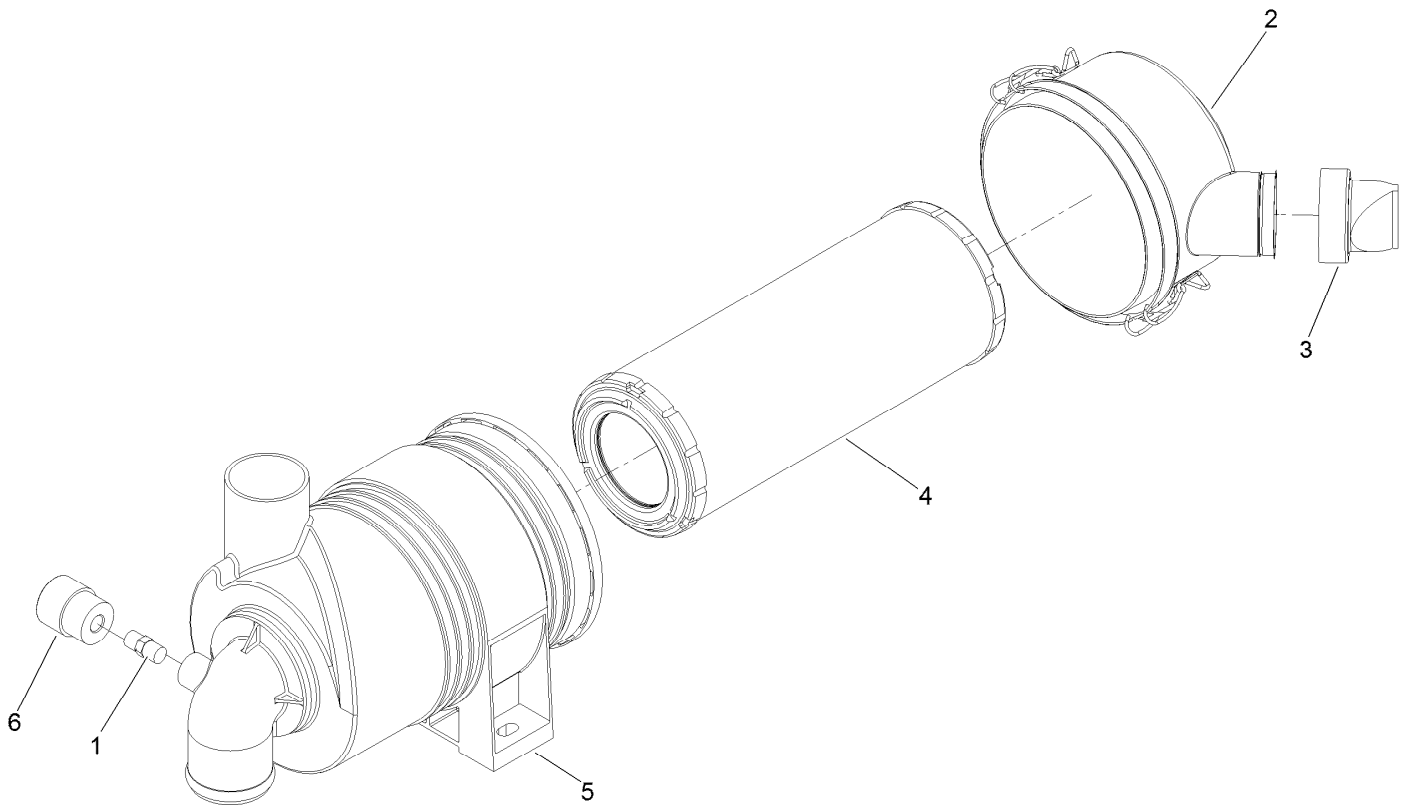
Engine, Clutch, Air Cleaner and Drive Shaft Assembly

Ref.	Part Number	Qty.	Description	Ref.	Part Number	Qty.	Description
1	3-4324	1	Washer-Flat	17	106-4381-03	1	Shaft-Tension, PTO
2	42-9600	8	Washer-Lock	18	108-1363	1	Muffler-Exhaust
3	43-0090	11	Screw-HH	19	108-8682	1	Thermoswitch
4	43-5930	1	Washer-Lock, Spring	20	115-0600	2	Mount-Engine
5	63-7400	2	Washer-Rebound	21	117-0831-03	1	Mount-Engine, LH Front
6	92-8799	1	Bearing-Flange	22	117-0841	1	LH Rear Engine Mount ASM
6:1	251-77	1	Collar-Lock, Bearing	22:2	302-5	1	Fitting-Grease
6:2	3245-35	1	Screw-Set, HSH	22:3	256-299	2	Bushing-Straight
6:3	302-40	1	Fitting-Grease, 90 DEG	23	132-5236	1	Engine-Kubota, D1105
7	98-9611	1	Gasket	24	131-6087	1	Driveshaft ASM
8	136-4480	1	Air Cleaner ASM	25	322-6	2	Screw-HH
9	104-3444	1	Hose-Inlet, Air	26	323-14	2	Screw-HH
10	104-3446	1	Hose-Outlet, Air	27	323-19	2	Screw-HH
11	104-3494	1	Belt-V	28	2412-130	3	Clamp-Hose
12	104-3497	1	Pulley-Fan	29	3230-4	2	Bolt-CARR
13	104-4246	1	Fan-Engine	30	3256-22	1	Washer-Flat
14	104-4247	1	Spacer-Fan	31	3256-23	2	Washer-Plain
15	104-8300	2	Nut-HF, NI	32	3256-24	1	Washer-Flat
16	105-2556-03	1	Brace-Alternator, Upper	33	3296-29	2	Nut-Lock, NI



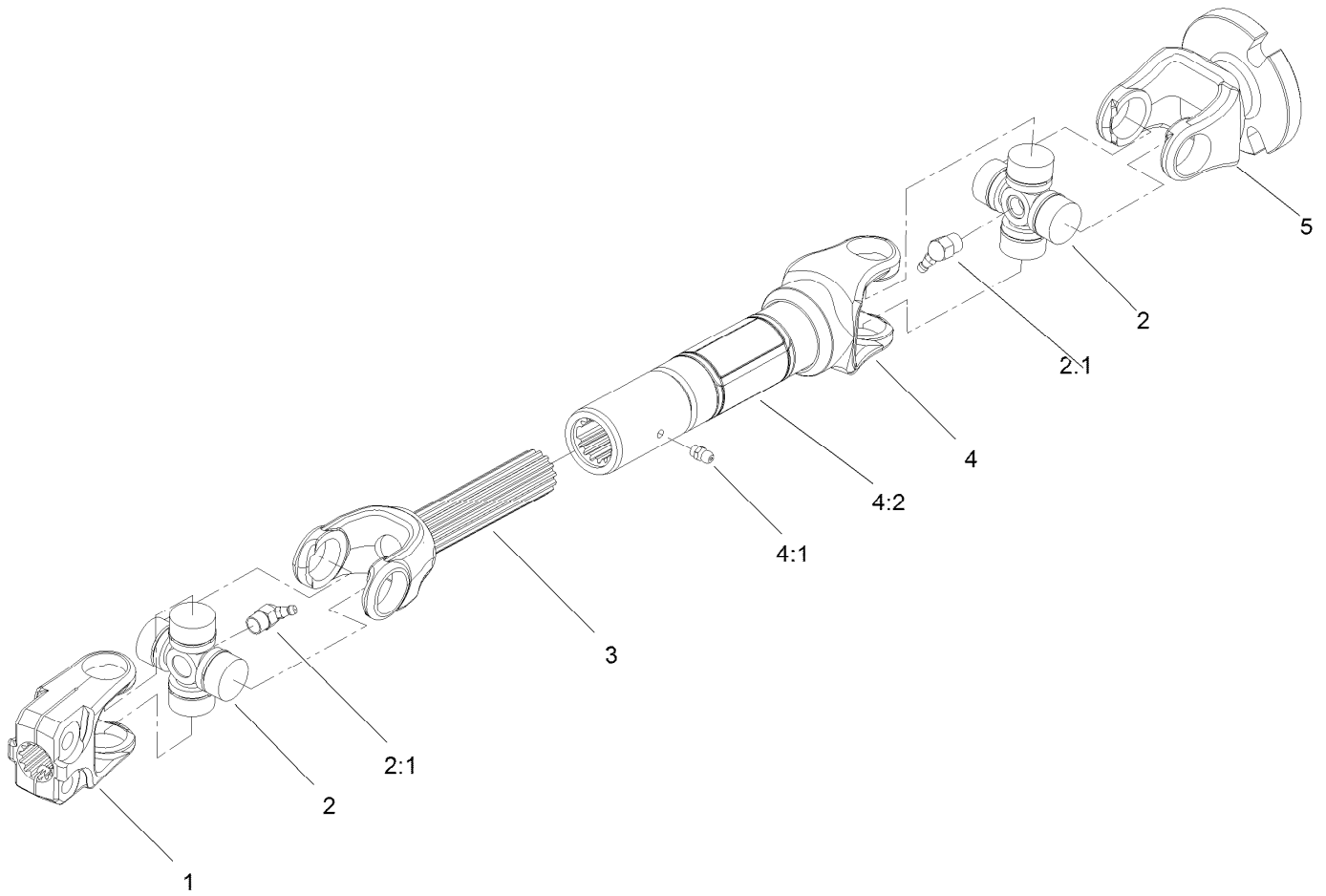
Engine, Clutch, Air Cleaner and Drive Shaft Assembly (continued)

<i>Ref.</i>	<i>Part Number</i>	<i>Qty.</i>	<i>Description</i>	<i>Ref.</i>	<i>Part Number</i>	<i>Qty.</i>	<i>Description</i>
34	3296-39	3	Nut-Lock, NI	38	33095-00	3	Washer-Flat
35	32121-32	1	Pin-Roll	39	33103-020	4	Screw-HHF
36	33004-00	4	Nut-HF	40	3253-21	1	Washer-Lock
37	33013-00	1	Nut-Hex				



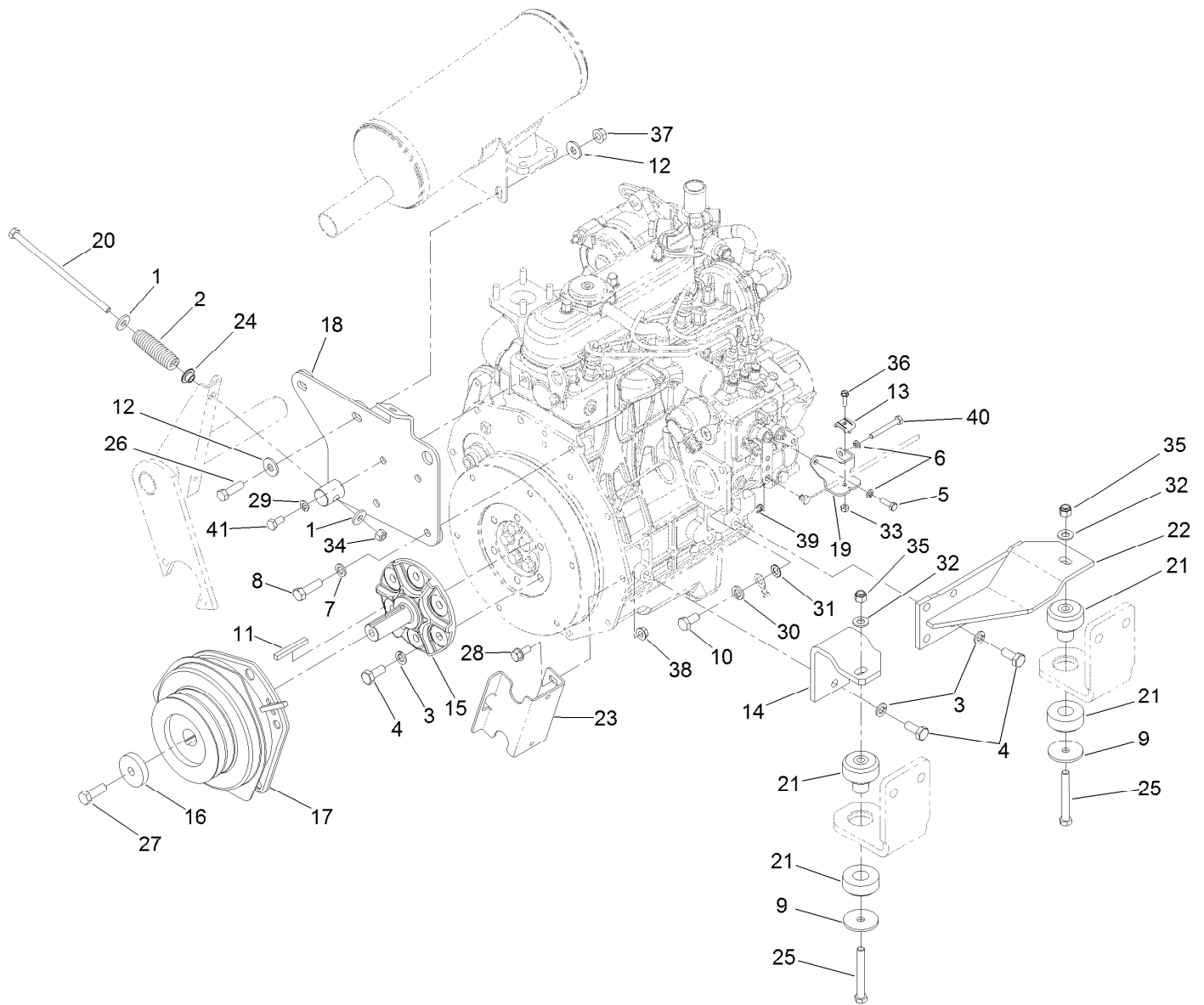
Air Cleaner Assembly No. 136-4480

<i>Ref.</i>	<i>Part Number</i>	<i>Qty.</i>	<i>Description</i>
1	94-1416	1	Adapter-Indicator
2	98-9771	1	Cover ASM
3	94-1414	1	Valve-Vacuator
4	108-3810	1	Filter-Air
5	98-4525	1	Bracket-Cleaner, Air
6	93-9164	1	Indicator-Mini



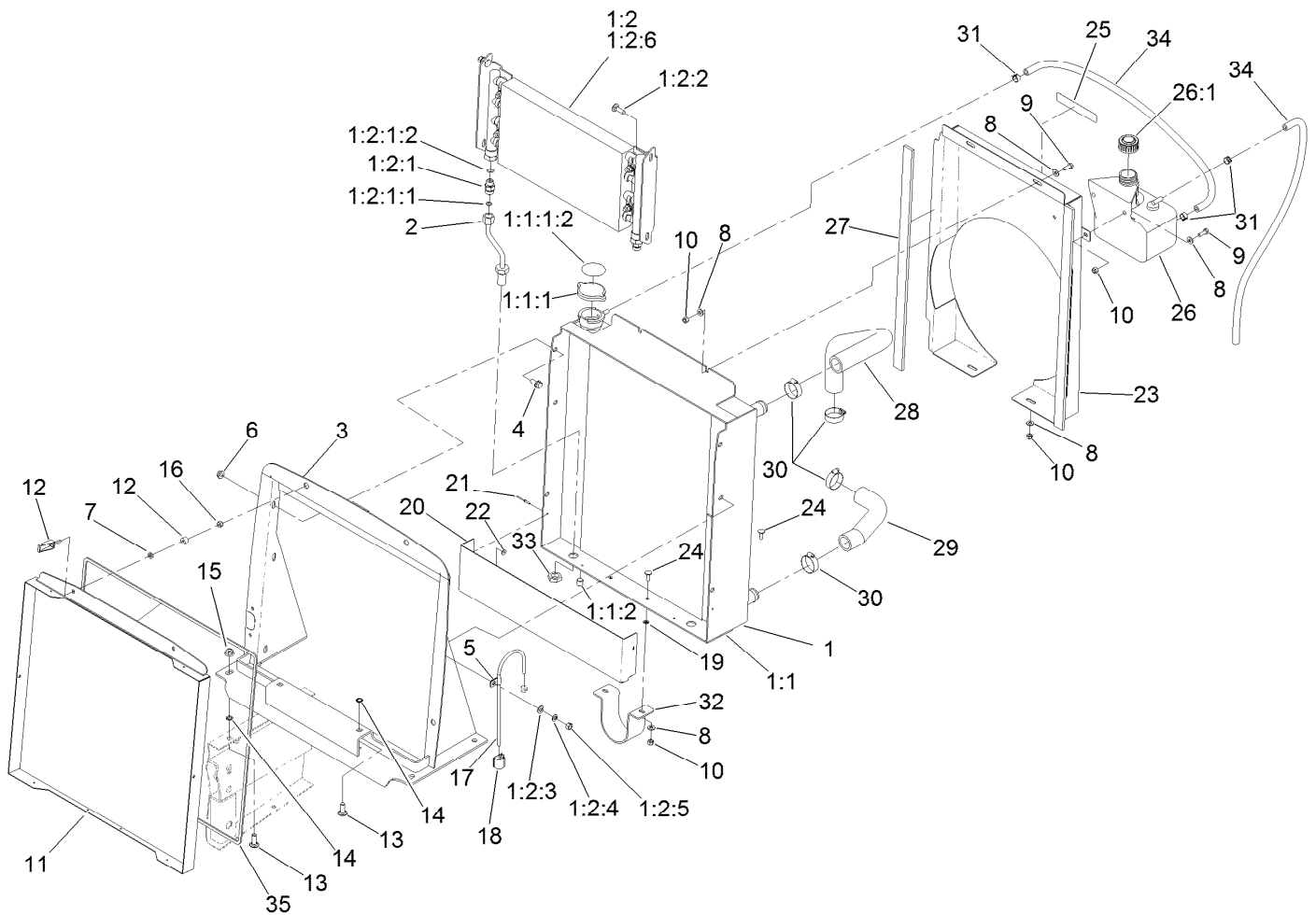
Driveshaft Assembly No. 131-6087

<i>Ref.</i>	<i>Part Number</i>	<i>Qty.</i>	<i>Description</i>
1	132-7201	1	Yoke-Splined
2	112-1687	2	Cross And Bearing Kit
2:1	62-3820	1	Fitting-Grease
3	98-9765	1	Yoke And Shaft
4	108-6551	1	Tube-Yoke, Slip
4:1	302-58	1	Fitting-Straight
4:2	92-1582	1	Decal-Safety
5	132-7200	1	Yoke-Flanged



Engine Mounting and Clutch Assembly

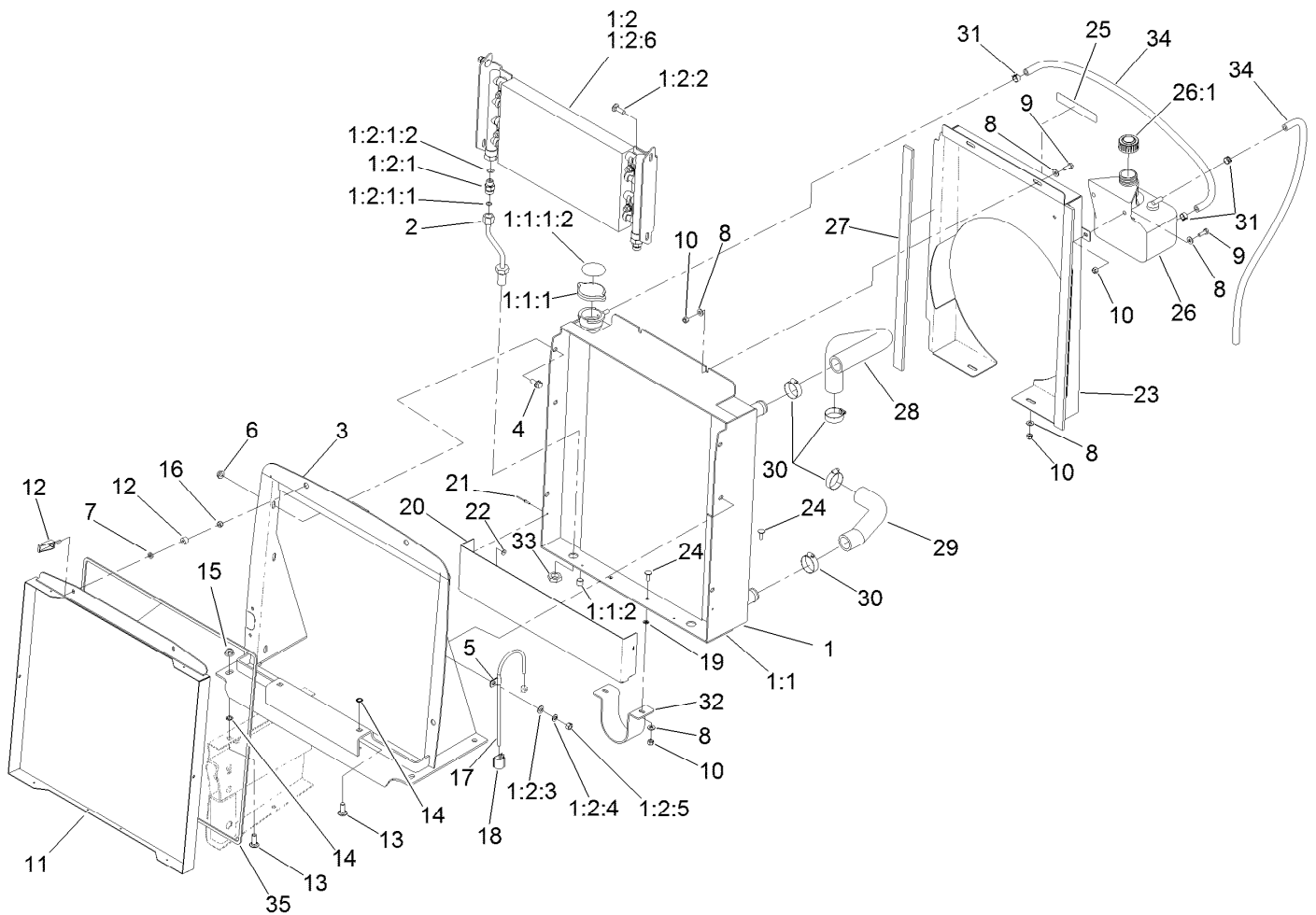
Ref.	Part Number	Qty.	Description	Ref.	Part Number	Qty.	Description
1	4-2390	2	Washer-Flat	22	117-0836-03	1	Mount-Engine, RH Front
2	21-0400-01	1	Spring-Compression	23	120-6568-03	1	Stop-Clutch
3	42-9600	12	Washer-Lock	24	125-9249	1	Spacer-Coupler, Rubber
4	43-0090	12	Screw-HH	25	323-14	2	Screw-HH
5	48-7630	1	Screw	26	323-44	2	Screw-HH
6	48-8020	2	Washer-Spring	27	3212-5	1	Screw-HH
7	48-9590	2	Washer-Lock	28	3234-5	2	Screw-HHF
8	56-2140	2	Screw-HH	29	3253-4	2	Washer-Lock
9	63-7400	2	Washer-Rebound	30	3253-6	1	Washer-Lock
10	63-7790	1	Screw-Cap	31	3255-9	1	Washer-Lock
11	63-8150	1	Key-Square	32	3256-24	2	Washer-Flat
12	80-6990	4	Washer-Hardened	33	3296-2	1	Nut-Lock, NI
13	81-1690	1	Clamp-Cable	34	3296-29	1	Nut-Lock, NI
14	104-1713-03	1	Mount-Engine, RH Rear	35	3296-39	2	Nut-Lock, NI
15	104-1715	1	Hub-Clutch	36	32105-13	1	Screw-HWH
16	105-3698	1	Spacer	37	32128-21	2	Nut-HF
17	107-9061	1	Electric Clutch / Brake ASM	38	32128-25	2	Nut-HF
18	108-6561-03	1	Mount-Muffler	39	701197	1	E-Ring
19	110-9682-03	1	Bracket-Throttle	40	33113-050	1	Screw-HH
20	110-9696	1	Bolt-HH	41	33114-016	2	Screw-HH
21	115-0600	2	Mount-Engine				



Radiator and Cooler Assembly

Ref.	Part Number	Qty.	Description	Ref.	Part Number	Qty.	Description
1	133-6363	1	Cooler Assembly	6	32128-20	4	Nut-HF
1:1	132-7228	1	Radiator	7	55-9620	2	Spacer-Plate, Pivot
1:1:1	127-4877	1	Radiator Cap ASM	8	3256-22	10	Washer-Flat
1:1:1:2	106-5976	1	Decal-Warning	9	321-4	4	Screw-HH
1:1:2	99-8551	1	Plug-Pipe	10	3296-42	8	Nut-Lock, NI
1:2	119-4846	1	Oil Cooler ASM	11	132-7233-03	1	Screen
1:2:1	340-2	2	Fitting-Straight	12	74-5950	2	Latch-Swell
1:2:1:1	237-22	1	O-Ring	13	3231-22	6	Screw-CARR
1:2:1:2	237-42	1	O-Ring	14	32151-72	6	Ring-Retaining
1:2:2	3230-2	2	Bolt-CARR	15	104-8301	4	Nut-HF, NI
1:2:3	3256-23	6	Washer-Plain	16	1-804254	2	Nut-Lock, HH
1:2:4	3253-4	6	Washer-Lock	17	66-3180	1	Tube-Vent
1:2:5	3217-6	6	Nut-Hex	18	105-7188	1	Clamp-Adhesive
1:2:6		1	Cooler ●	19	106-8737	2	Nut-Retainer
2	132-7297	2	Tube-HYD, Jump	20	132-7224-03	1	Shield-Radiator, Bottom
3	133-6384-03	1	Frame-Radiator	21	3269-17	4	Rivet-Pop
4	3234-5	4	Screw-HHF	22	3269-10	2	Washer-Back
5	2412-103	1	Clamp	23	132-7230-03	1	Shroud-Fan

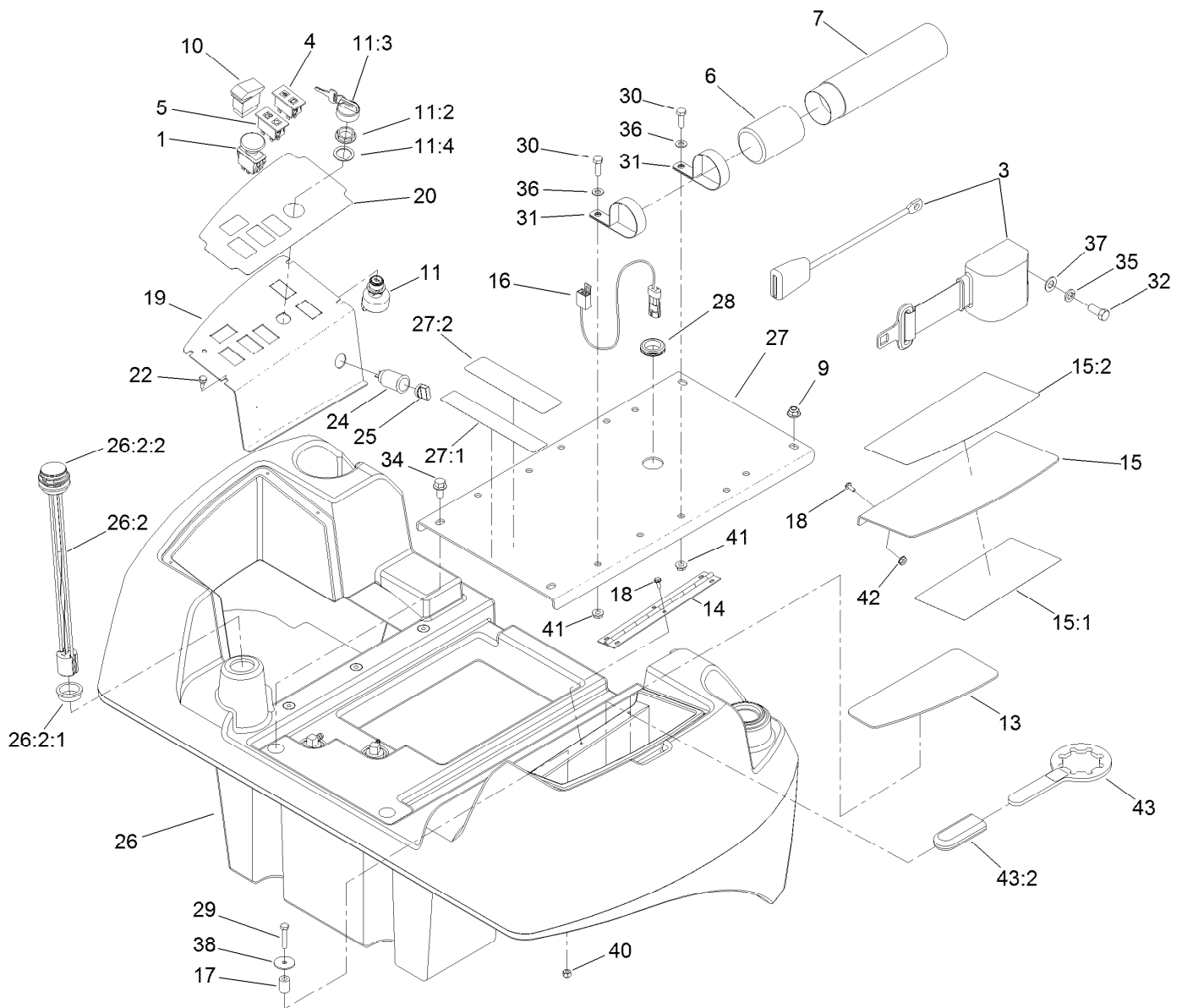
● Not serviced separately



Radiator and Cooler Assembly (continued)

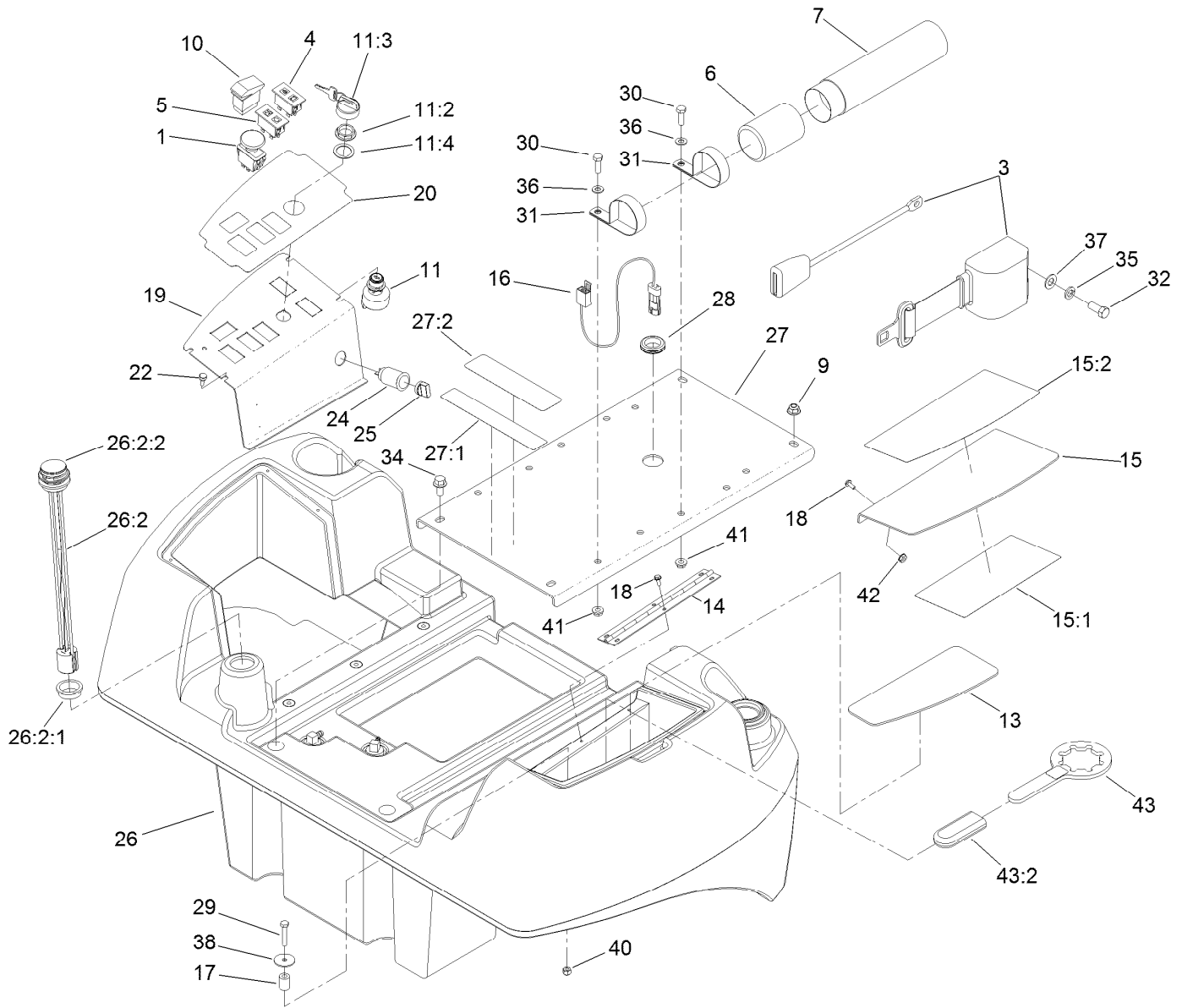
<i>Ref.</i>	<i>Part Number</i>	<i>Qty.</i>	<i>Description</i>	<i>Ref.</i>	<i>Part Number</i>	<i>Qty.</i>	<i>Description</i>
24	1-807512	4	Bolt-CARR	30	2412-34	4	Clamp-Hose
25	93-7272	1	Decal-Warning	31	92-2379	3	Clamp-Hose
26	120-5572	1	Coolant Reservoir ASM	32	132-7225-03	1	Loop-Driveshaft
26:1	93-5960	1	Cap-Reservoir	33	340-70	2	Nut-Lock
27	108-9683	2	Strip-Foam	34	109-0308	2	Hose-Fuel
28	104-3443	1	Hose-Radiator, Upper	35	133-6383	1	Foam-Seal, Radiator Screen
29	104-3442	1	Hose-Radiator, Lower				

● Not serviced separately



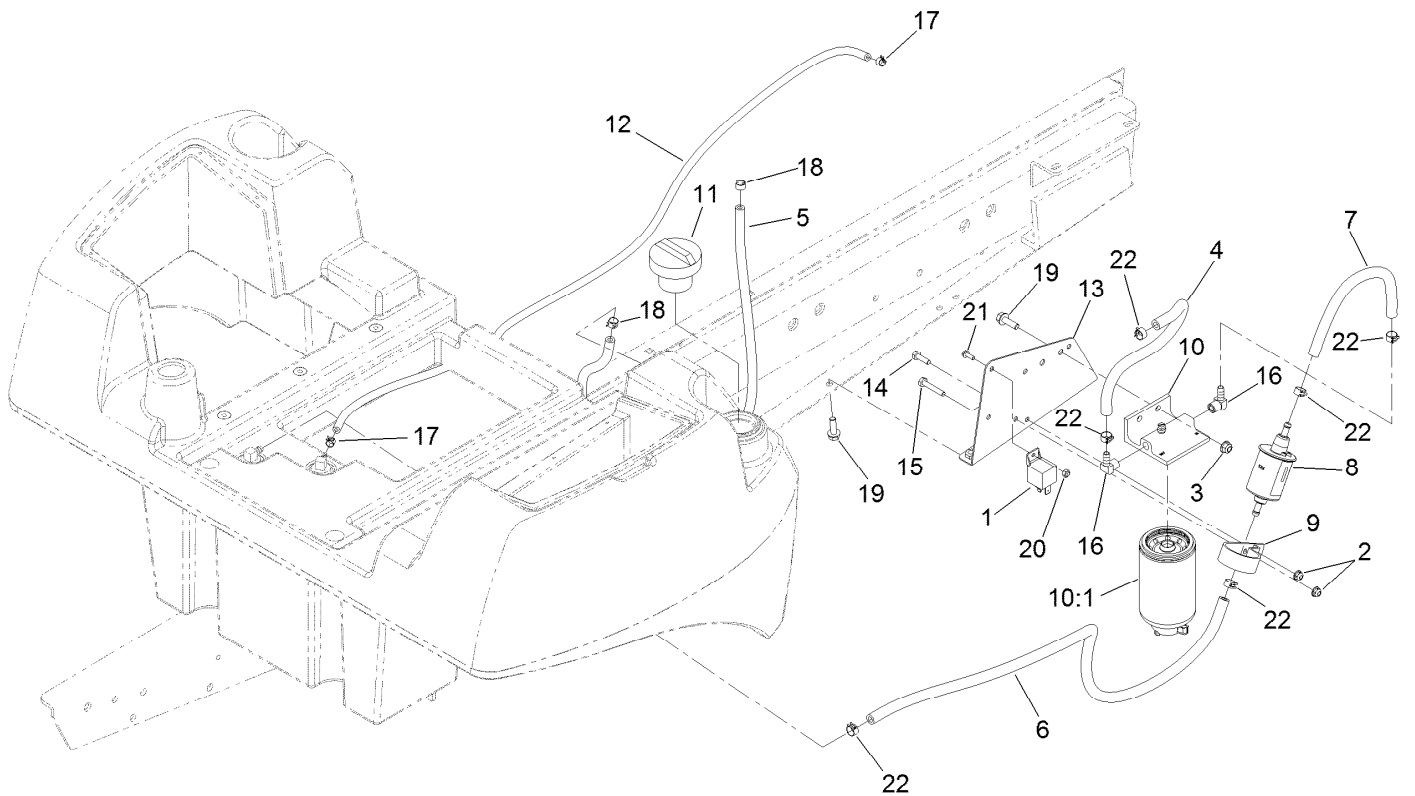
Fuel Tank and Control Panel Assembly

Ref.	Part Number	Qty.	Description	Ref.	Part Number	Qty.	Description
1	93-9999	1	Switch-PTO	20	119-4840	1	Decal-Panel, Control
3	100-4928	1	Belt-Seat	22	120-6555	4	Screw-Thumb
4	100-8070	1	Lamp-Warning	24	99-7411	1	Point-Power
5	100-8071	1	Lamp-Warning	25	99-7416	1	Cap
6	104-7048	1	Cap-Housing	26	132-7212	1	Fuel Tank ASM
7	104-7050	1	Tube-Manual	26:2	132-7214	1	Gauge-Fuel
9	104-8301	2	Nut-HF, NI	26:2:1	119-0508	1	Seal
10	105-4320	1	Switch	26:2:2	132-7295	1	Dial-Gauge
11	106-5269	1	Ignition Switch ASM	27	132-7298	1	Seat Plate ASM
11:2	108-8660	1	Nut-Mounting	27:1	105-2511	1	Decal-Instructions, Starting
11:3	106-5270	1	Ignition Key Set	27:2	93-7841	1	Decal-Warning
11:4	108-8659	1	Washer-Backup	28	240-5	1	Grommet
13	108-2013	1	Pad-Rubber	29	321-9	1	Screw-HH
14	108-2024	1	Hinge	30	322-5	2	Screw-HH
15	133-6378	1	Cover ASM	31	2412-133	2	Clamp-R
15:1	133-6377	1	Decal-Service	32	3212-4	2	Screw-HH
15:2	133-6375	1	Decal-Warning	34	3234-1	2	Screw-HHF
16	108-8657	1	Harness-Wire, Seat	35	3253-6	2	Washer-Lock
17	108-9688	1	Spacer	36	3256-23	2	Washer-Plain
18	112-6349	6	Screw-HWH	37	3256-25	2	Washer-Flat
19	136-1059-03	1	Plate-Control Panel	38	3256-55	1	Washer-Flat



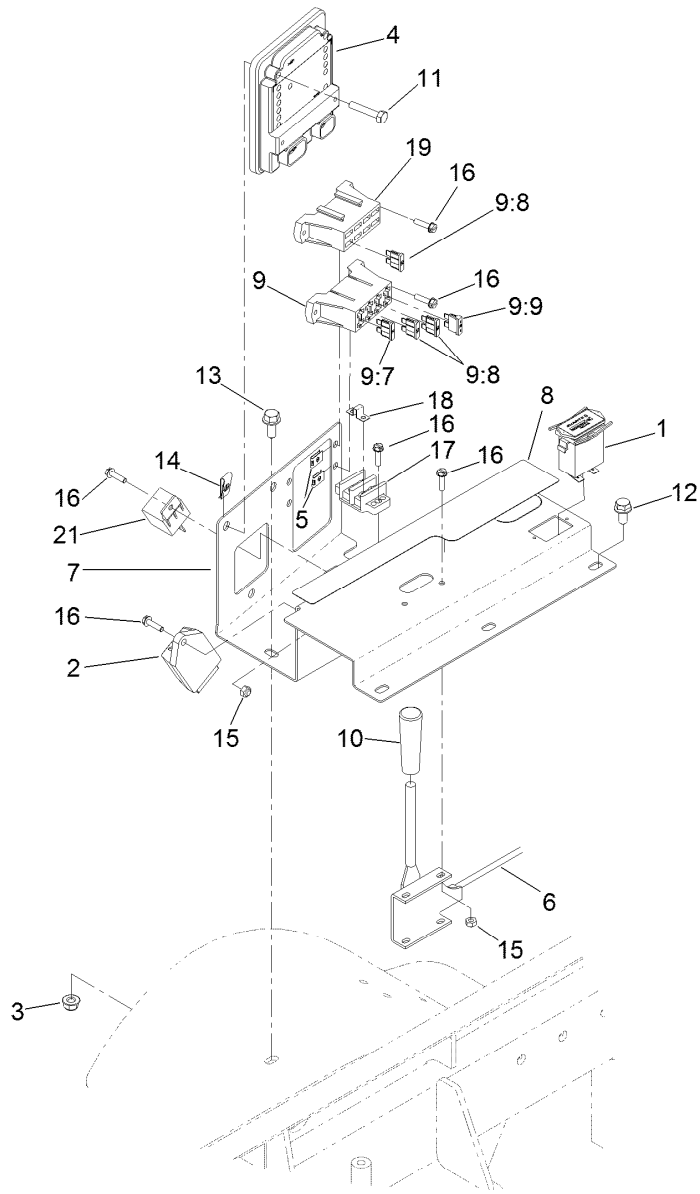
Fuel Tank and Control Panel Assembly (continued)

<i>Ref.</i>	<i>Part Number</i>	<i>Qty.</i>	<i>Description</i>	<i>Ref.</i>	<i>Part Number</i>	<i>Qty.</i>	<i>Description</i>
40	3296-42	1	Nut-Lock, NI	43	121-3874	1	Wrench ASM
41	32128-20	2	Nut-HF	43:2	119-1846	1	Grip
42	32149-8	3	Nut-Keps				



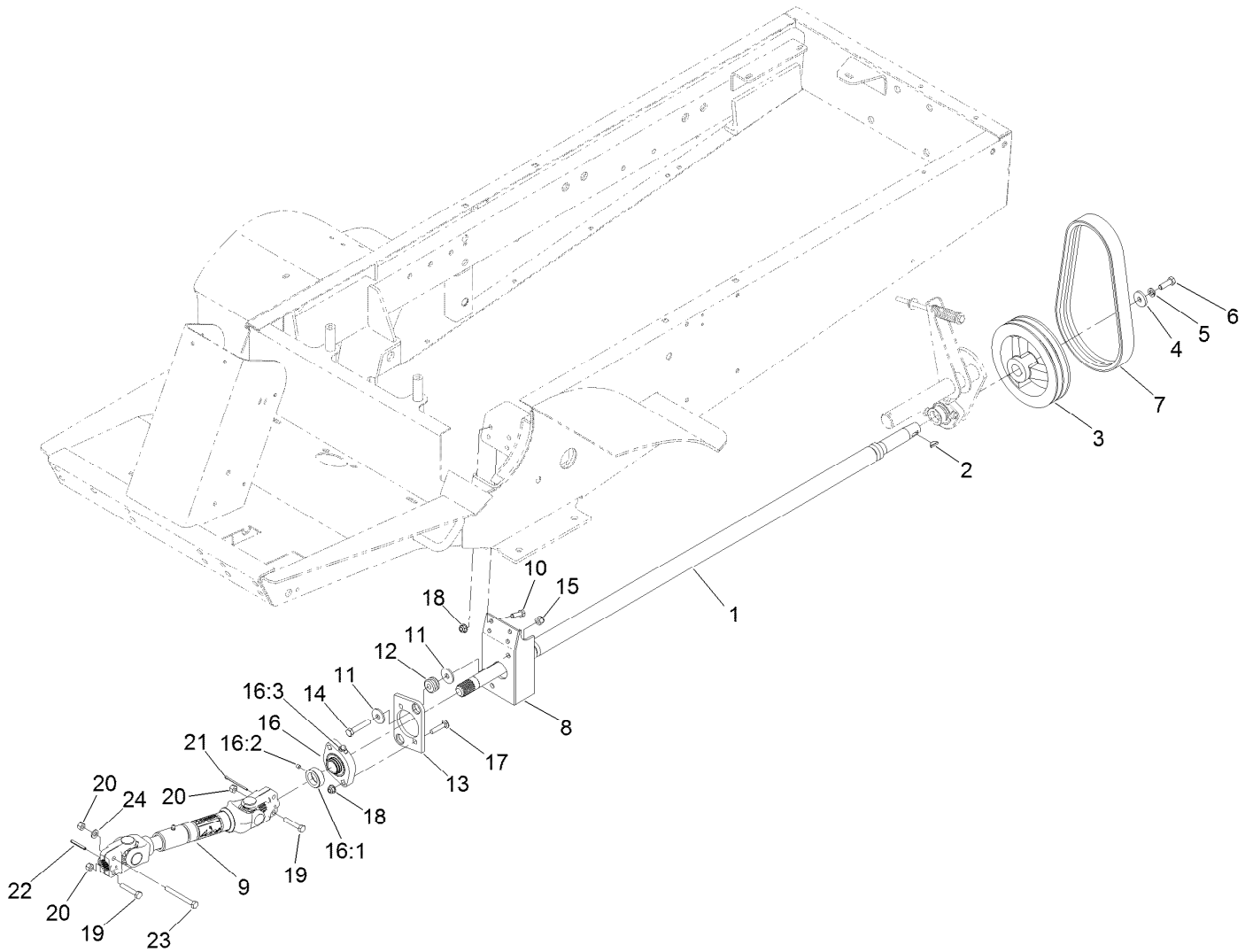
Fuel Lines and Filter Assembly

<i>Ref.</i>	<i>Part Number</i>	<i>Qty.</i>	<i>Description</i>	<i>Ref.</i>	<i>Part Number</i>	<i>Qty.</i>	<i>Description</i>
1	99-7435	1	Relay	12	119-6073	1	Hose-Fuel
2	104-7201	2	Nut-HF	13	132-7231-03	1	Bracket-Support
3	104-8300	2	Nut-HF, NI	14	321-5	1	Screw-HH
4	106-1126	1	Hose-Fuel	15	321-9	1	Screw-HH
5	109-0273	1	Hose-Fuel	16	353-781	2	Fitting-HYD, 90
6	110-4007	1	Hose-Fuel	17	2412-80	2	Clamp-Hose
7	110-4105	1	Hose-Fuel	18	2412-98	2	Clamp-Hose
8	110-8806	1	Pump-Fuel	19	3234-17	4	Screw-HHF
9	110-8817	1	Bracket-Pump, Fuel	20	3296-2	1	Nut-Lock, NI
10	110-9044	1	Separator-Filter	21	32105-23	1	Screw
10:1	110-9049	1	Filter-Spin On	22	92-2379	6	Clamp-Hose
11	115-5305	1	Cap-Fuel				



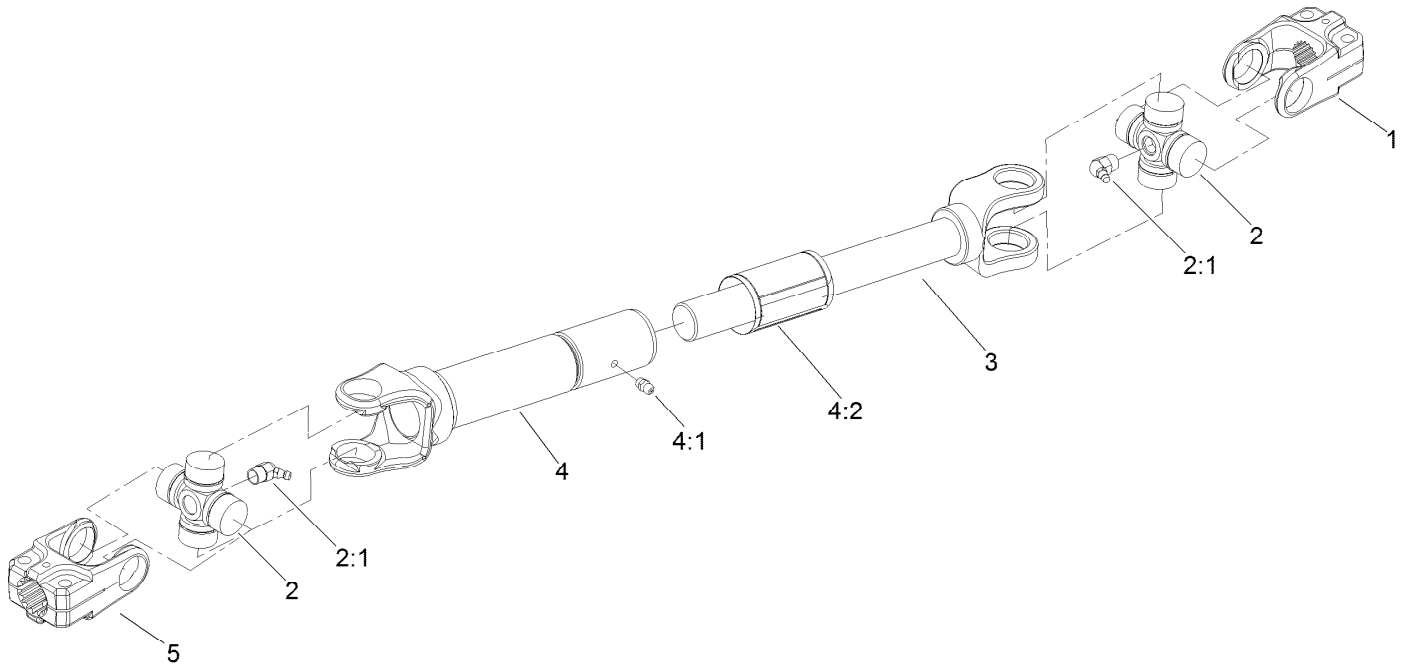
Throttle Control Assembly

<i>Ref.</i>	<i>Part Number</i>	<i>Qty.</i>	<i>Description</i>	<i>Ref.</i>	<i>Part Number</i>	<i>Qty.</i>	<i>Description</i>
1	1-513374	1	Meter-Hour	10	233-39	1	Knob-Control
2	98-7611	1	Controller-Glow	11	321-13	3	Screw-HH
3	104-8300	1	Nut-HF, NI	12	3234-14	3	Screw-HHF
4	106-9277	1	Module-Control, Standard	13	3234-5	1	Screw-HHF
5	107-1013	7	Nut-Speed	14	3290-199	3	Nut-Speed
6	117-0824	1	Control-Throttle, Diesel	15	3296-2	3	Nut-Lock, NI
7	119-4831-03	1	Console	16	32105-13	10	Screw-HWH
8	119-4832	1	Decal-Panel, Lower	17	42862	1	Block-Terminal, Ground
9	122-0987	1	Harness-Wire, Main	18	42863	1	Strip-Jumper
9:7	94-6710	1	Fuse-2 Amp	19	136-1001	1	Decal-Fuses
9:8	218-578	3	Fuse-Blade, 10 Amp	21	99-7435	1	Relay
9:9	109355	1	Fuse-Blade, 15 Amp				



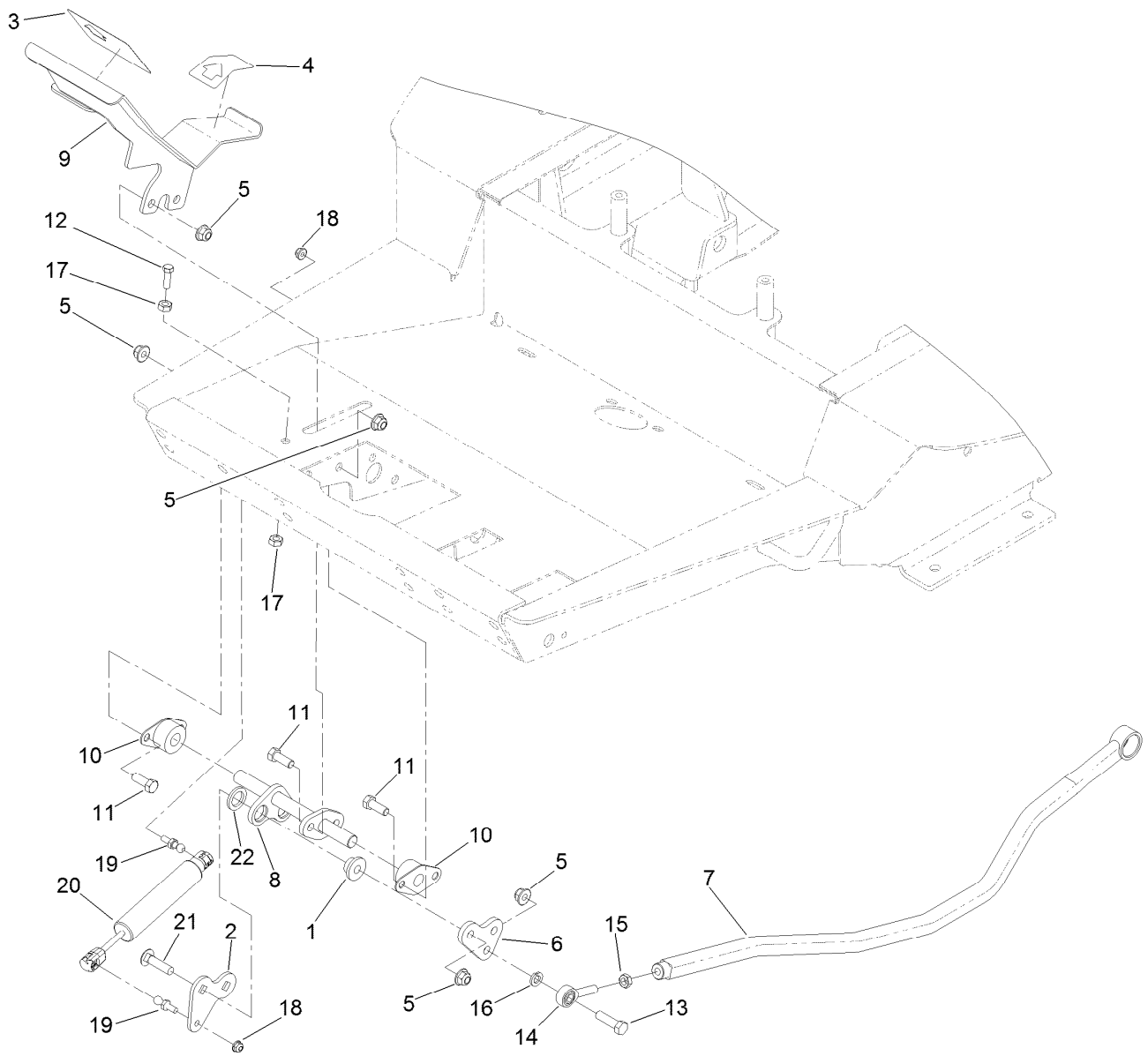
PTO Drive Assembly

<i>Ref.</i>	<i>Part Number</i>	<i>Qty.</i>	<i>Description</i>	<i>Ref.</i>	<i>Part Number</i>	<i>Qty.</i>	<i>Description</i>
1	92-8855-03	1	Shaft-PTO	15	3296-39	2	Nut-Lock, NI
2	3257-5	1	Key-Woodruff	16	92-8799	1	Bearing-Flange
3	43-5320-03	1	Pulley-PTO	16:1	251-77	1	Collar-Lock, Bearing
4	29-4730	1	Washer-Flat	16:2	3245-35	1	Screw-Set, HSH
5	3253-21	1	Washer-Lock	16:3	302-40	1	Fitting-Grease, 90 DEG
6	323-18	1	Screw-HH	17	3230-4	2	Bolt-CARR
7	63-6240	1	V-Belt	18	104-8300	6	Nut-HF, NI
8	132-7260-03	1	Mount-Bearing, PTO	19	322-9	4	Screw-HH
9	108-1366	1	PTO Drive Shaft ASM	20	3296-29	5	Nut-Lock, NI
10	322-5	4	Screw-HH	21	3272-15	1	Pin-Cotter
11	63-8410	4	Washer	22	32121-34	1	Pin-Roll
12	63-9750	2	Mount	23	322-14	1	Screw-HH
13	84-7580	1	Plate-Support, Bushing	24	3256-23	1	Washer-Plain
14	323-10	2	Screw-HH				



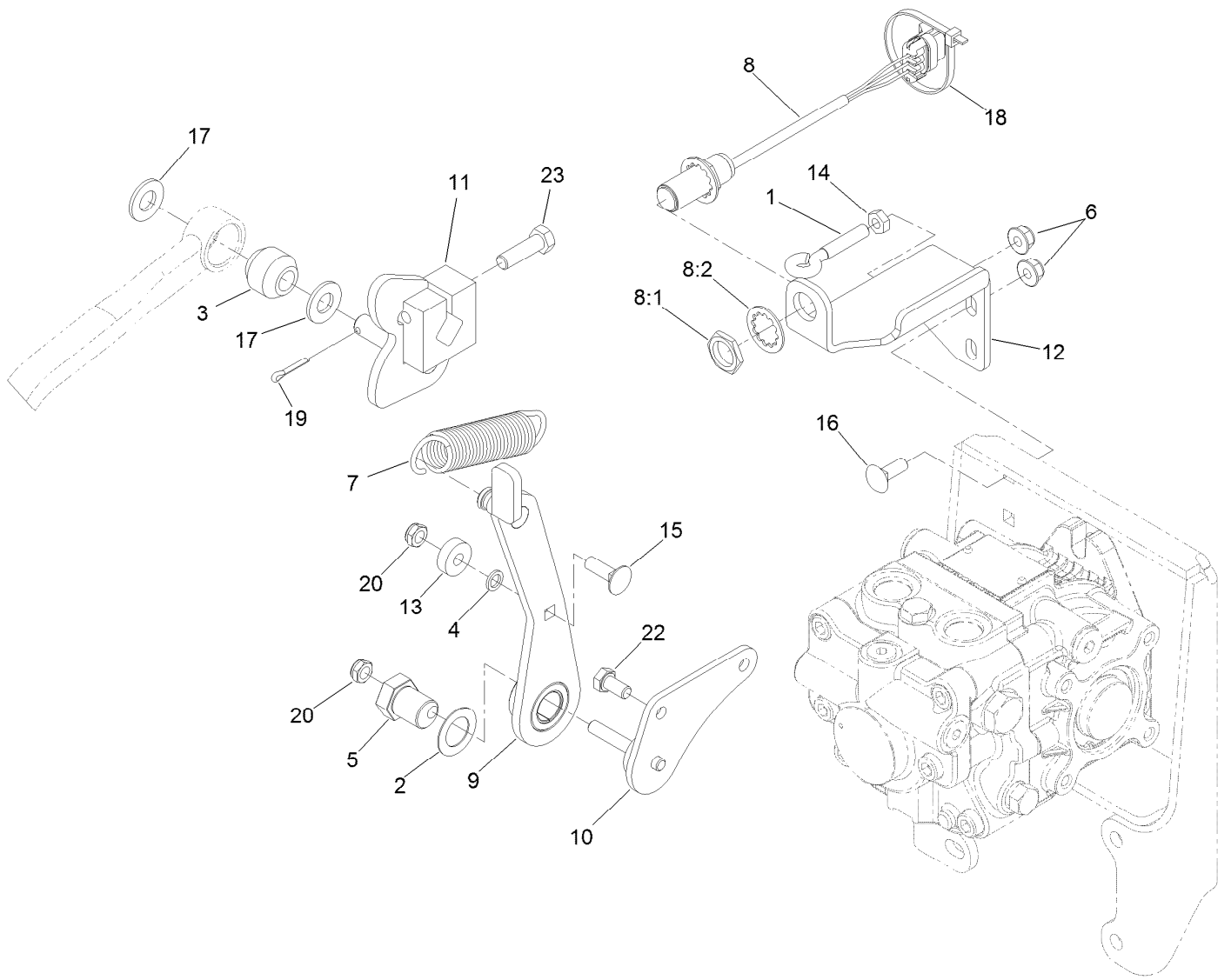
PTO Driveshaft Assembly No. 108-1366

<i>Ref.</i>	<i>Part Number</i>	<i>Qty.</i>	<i>Description</i>
1	54-9040	1	Yoke-End
2	54-9180	2	U-Joint Kit
2:1	62-3820	1	Fitting-Grease
3	108-6550	1	Shaft-Yoke, Slip
4	108-6551	1	Tube-Yoke, Slip
4:1	302-58	1	Fitting-Straight
4:2	92-1582	1	Decal-Safety
5	54-9090	1	Yoke-End



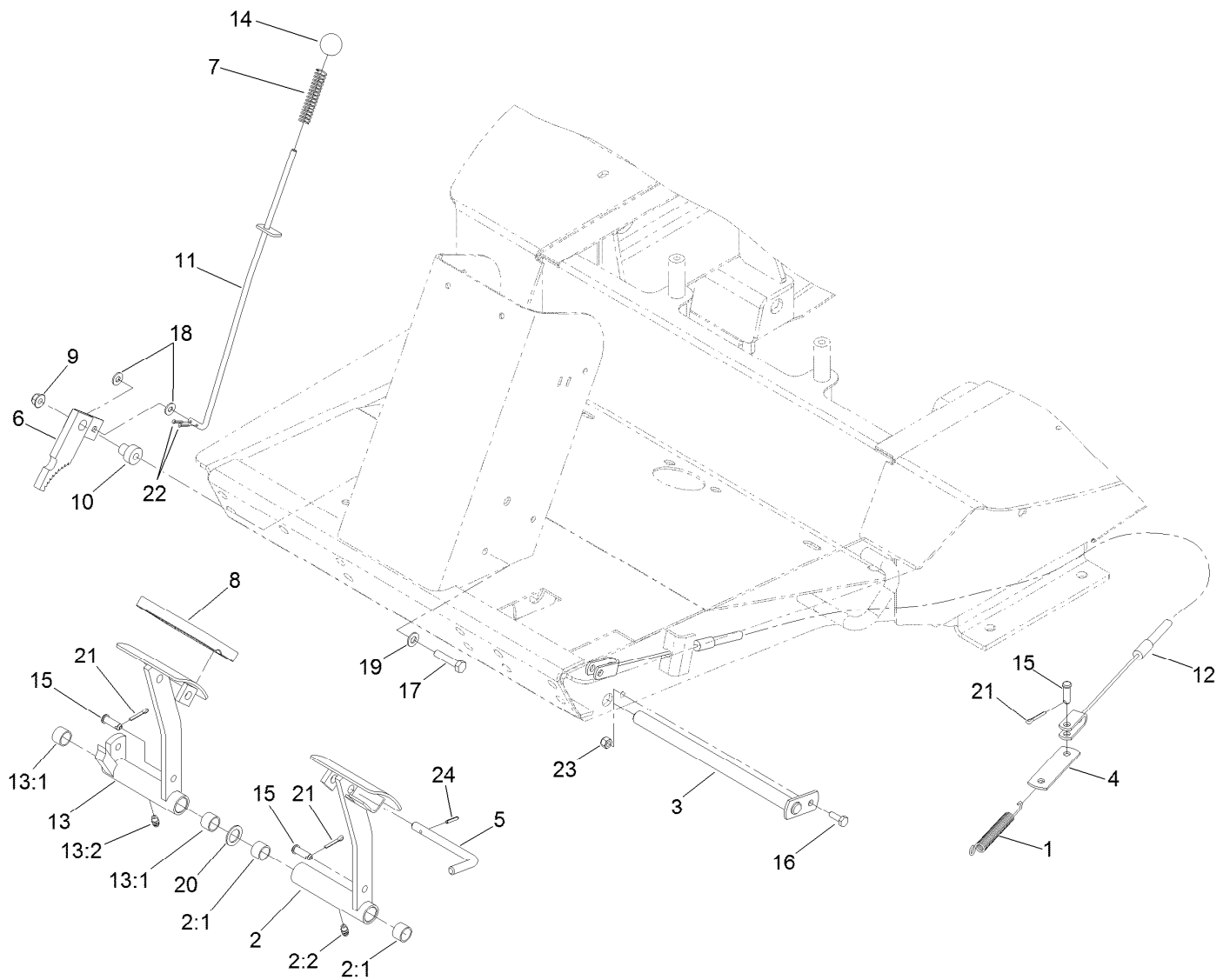
Traction Pedal Assembly

<i>Ref.</i>	<i>Part Number</i>	<i>Qty.</i>	<i>Description</i>	<i>Ref.</i>	<i>Part Number</i>	<i>Qty.</i>	<i>Description</i>
1	133-6397	2	Bushing-Delrin	12	323-7	1	Screw-HH
2	133-6364	1	Plate-Damper	13	323-29	1	Screw-HH
3	94-3307	1	Pad-Pedal, Traction	14	2411-36	1	Bearing-End, Rod
4	94-3308	1	Pad-Pedal, Traction	15	3220-3	1	Nut-HJ
5	104-8301	9	Nut-HF, NI	16	3253-21	1	Washer-Lock
6	125-4401	1	Plate-Linkage, Traction	17	3217-7	2	Nut-Hex
7	132-7236-03	1	Rod-Traction	18	104-7201	2	Nut-HF
8	132-7288	1	Pivot-Traction Pedal	19	132-6917	2	Ball Stud
9	132-7290-03	1	Pedal-Traction	20	133-1171	1	Damper-Non Cavitating
10	256-236	2	Bearing-Mount, Flange	21	3231-4	2	Screw-CARR
11	323-6	6	Screw-HH	22	133-6398	2	Washer-Delrin



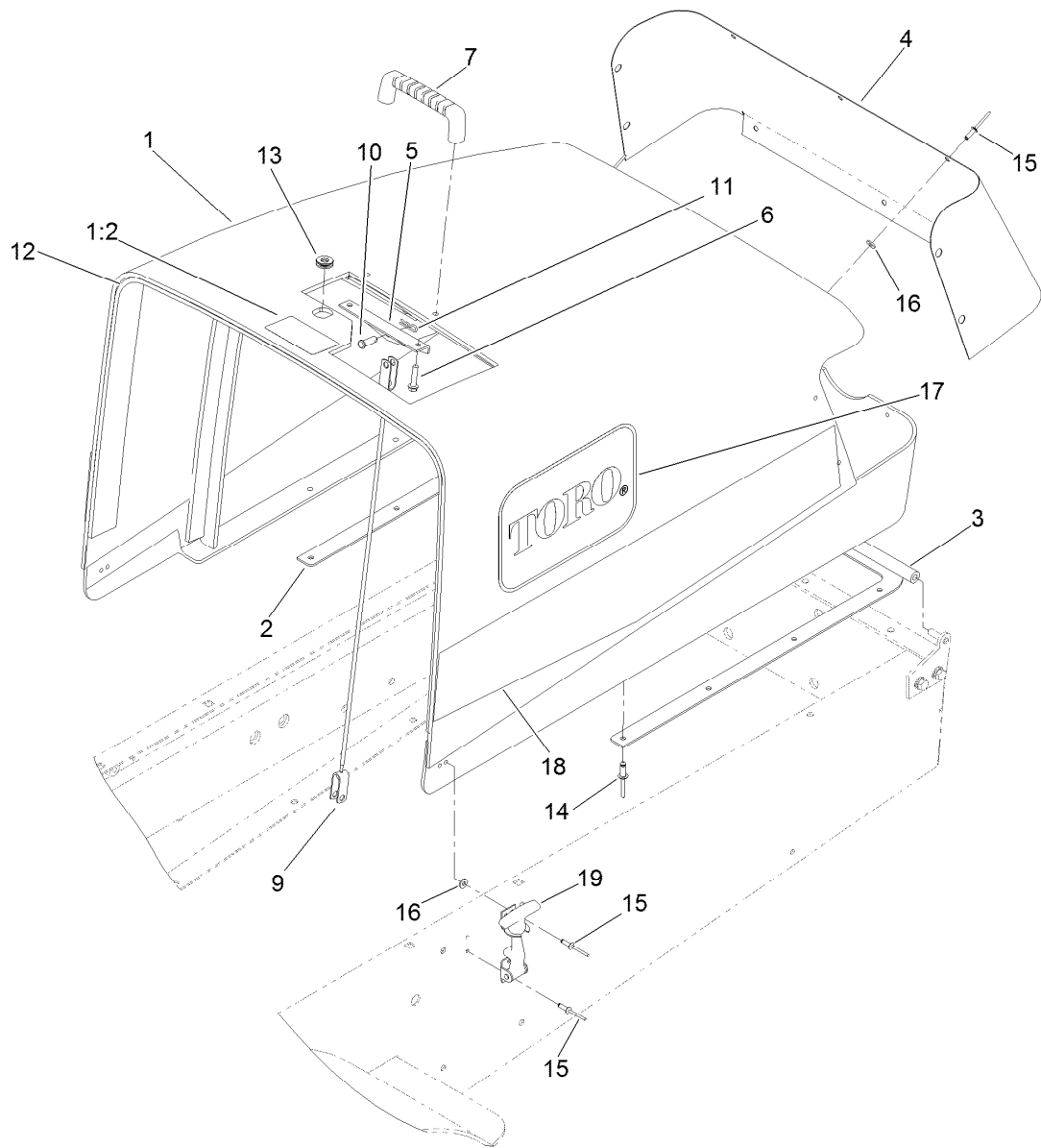
Transmission Linkage Assembly

<i>Ref.</i>	<i>Part Number</i>	<i>Qty.</i>	<i>Description</i>	<i>Ref.</i>	<i>Part Number</i>	<i>Qty.</i>	<i>Description</i>
1	1-303238	1	Eyebolt-Thread, RH	11	133-6359	1	Cam-Neutral
2	3-6498	1	Washer-Thrust	12	133-6393-03	1	Bracket-Sensor
3	23-2270	1	Bushing-Rubber	13	251-259	1	Bearing-Ball
4	75-5470	1	Spacer-Bearing	14	3218-2	1	Nut-Jam
5	93-2111	1	Stud-Traction	15	3230-2	1	Bolt-CARR
6	104-8300	3	Nut-HF, NI	16	3230-16	2	Screw-CARR
7	115-4712	1	Spring-Extension	17	3256-26	2	Washer-Flat
8	115-5300	1	Proximity Switch ASM	18	3290-379	1	Tie-Cable
8:1	117-3207	2	Nut-Hex	19	3272-10	1	Pin-Cotter
8:2	117-3208	2	Washer-Lock, Internal Tooth	20	3296-47	2	Nut-Lock, NI
9	130-8730	1	Arm-Neutral	22	33114-016	2	Screw-HH
10	130-8734	1	Pivot	23	323-7	1	Screw-HH



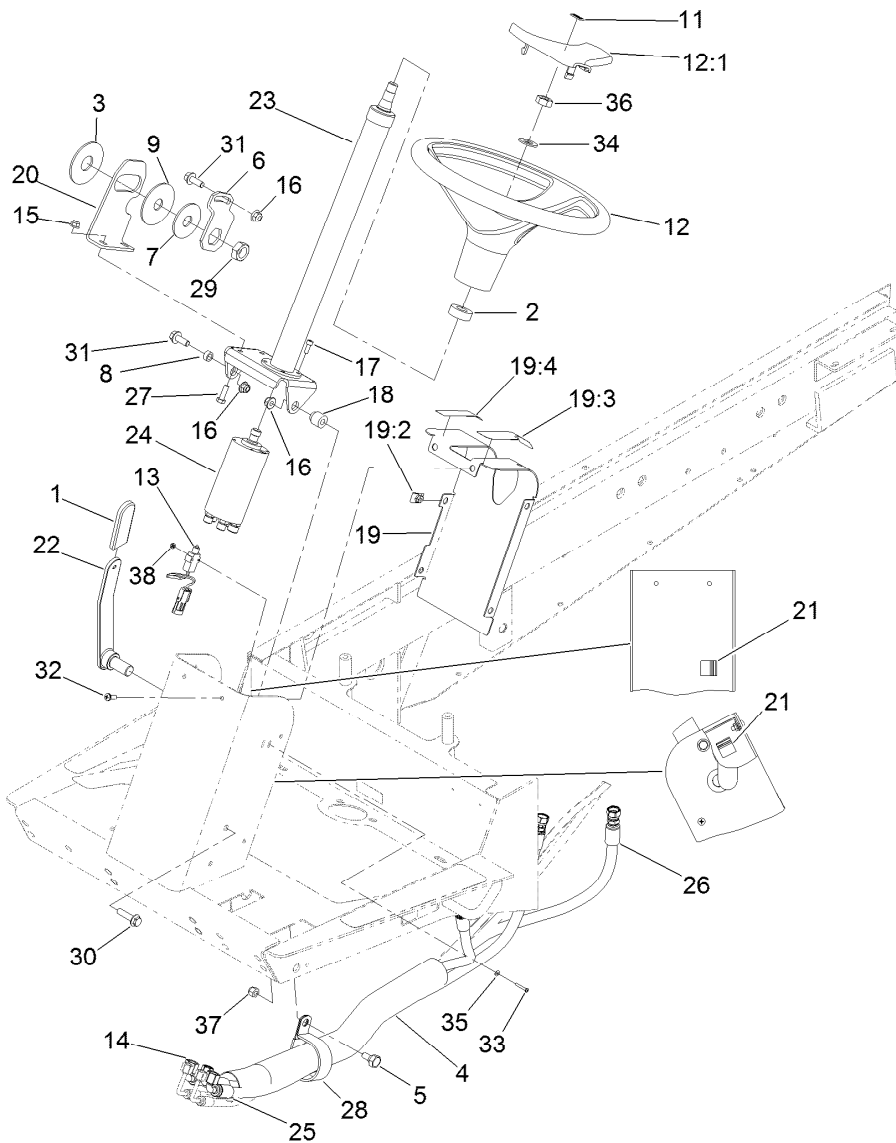
Brake Pedal and Linkage Assembly

Ref.	Part Number	Qty.	Description	Ref.	Part Number	Qty.	Description
1	3-7243	2	Spring-Extension	13	120-6597	1	RH Brake Pedal ASM
2	63-6180	1	Pedal-Brake, LH	13:1	256-42	2	Bushing
2:1	256-42	2	Bushing	13:2	302-5	1	Fitting-Grease
2:2	302-5	1	Fitting-Grease	14	233-17	1	Knob
3	63-6210-03	1	Pin-Brake	15	283-58	4	Pin-Clevis
4	63-6750	2	Link-Cable, Brake	16	321-4	1	Screw-HH
5	63-7880	1	Pin-Latch, Brake	17	322-7	1	Screw-HH
6	63-7900-03	1	Rack	18	3256-22	2	Washer-Flat
7	71-8310	1	Spring-Compression	19	3256-23	1	Washer-Plain
8	93-8742	2	Footpad-Brake	20	3256-69	2	Washer-Flat
9	104-8300	1	Nut-HF, NI	21	3272-10	4	Pin-Cotter
10	105-7156	1	Spacer	22	3272-5	2	Pin-Cotter
11	105-7168	1	Rod ASM	23	3296-42	1	Nut-Lock, NI
12	108-6556	2	Cable-Brake	24	32121-50	1	Pin-Spring



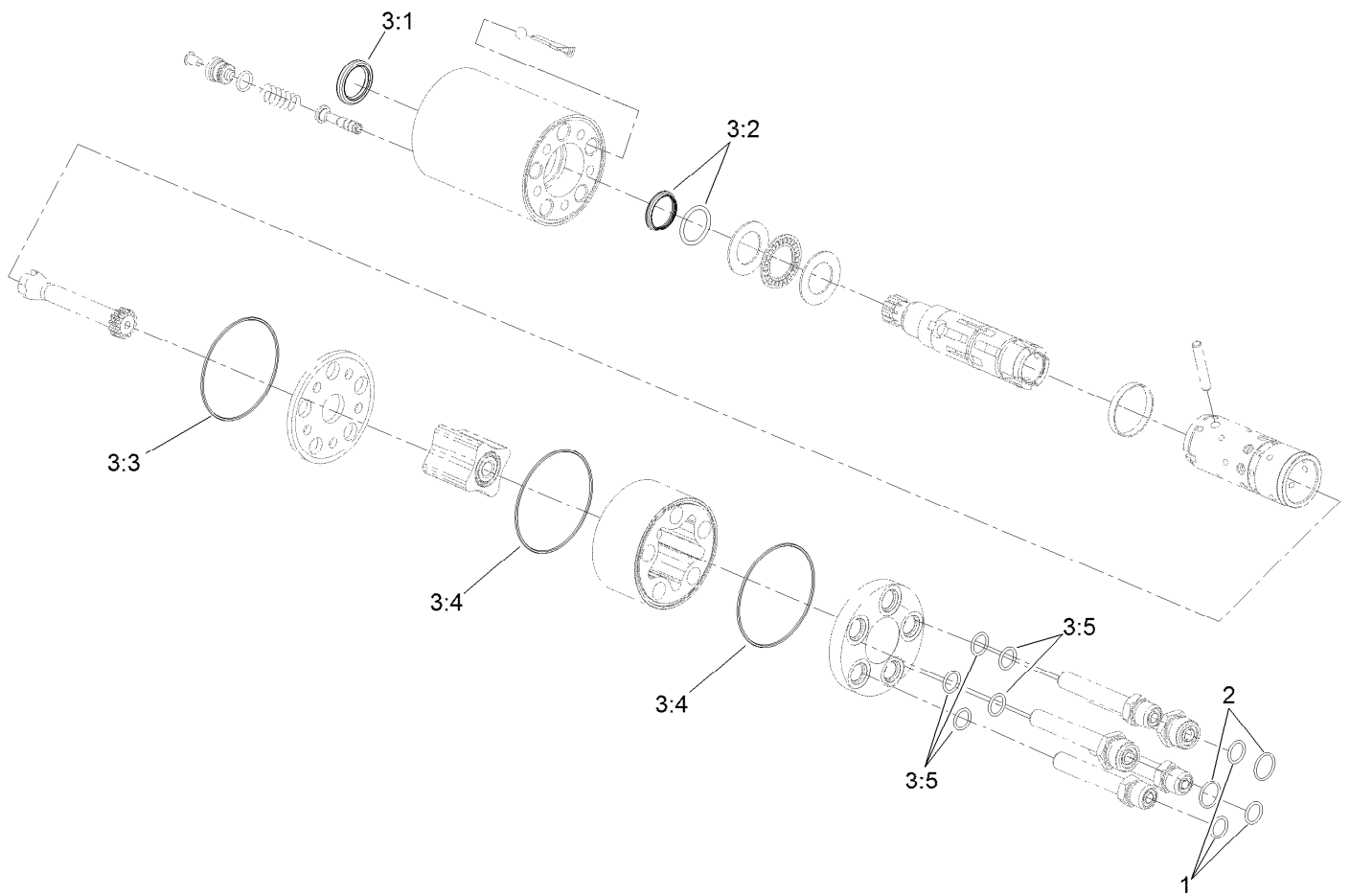
Hood Assembly

<i>Ref.</i>	<i>Part Number</i>	<i>Qty.</i>	<i>Description</i>	<i>Ref.</i>	<i>Part Number</i>	<i>Qty.</i>	<i>Description</i>
1	119-2195	1	Hood ASM	11	3290-307	2	Pin-Cotter
1:2	106-6754	1	Decal-Danger	12	105-3651	1	Strip-Foam
2	105-4277-03	1	RH Hood Hinge ASM	13	104-1453	1	Grommet
3	105-4278-03	1	LH Hood Hinge ASM	14	3290-412	12	Rivet-Blind
4	105-0006-03	1	Screen-Hood	15	3269-4	18	Rivet-Pop
5	105-0088-03	1	Bracket-Cable, Hood	16	3256-51	14	Washer-Flat
6	46-8092	2	Screw-Plastite	17	66-6140	2	Decal
7	65-5100	1	Handle-Door	18	108-2067	2	Decal
9	105-3650	1	Cable-Hood	19	95-6339	2	Latch
10	283-58	2	Pin-Clevis				



Steering Assembly

Ref.	Part Number	Qty.	Description	Ref.	Part Number	Qty.	Description
1	21-1880	1	Grip-Handle	19:4	82-8940	1	Decal-Steering, Tilt
2	21-9260	1	Cover-Dust	20	105-7181-03	1	Plate-Pivot
3	31-0390	1	Disc-Friction	21	105-7188	2	Clamp-Adhesive
4	44-8530	1	Protector-Sleeve	22	108-6092	1	Lever-Steering, Tilt
5	46-3380	1	Bolt-Shoulder	23	114-2884	1	Column ASM
6	80-2880	1	Bracket-Tilt	24	131-5624	1	Steer Valve ASM
7	80-2930	1	Washer-Flat	25	132-7244	1	Hose ASM
8	80-2960	1	Spacer-Tower	26	132-7245	1	HYD Hose ASM
9	82-9010	1	Disc-Friction	27	322-5	2	Screw-HH
11	98-1459	1	Decal	28	2412-102	1	Clamp-R
12	98-1471	1	Wheel-Steering	29	3218-7	1	Nut-Jam
12:1	98-1468	1	Cover-Wheel, Steering	30	3234-18	1	Screw-HHF
13	99-3410	1	Switch	31	3234-42	2	Screw-HHF
14	133-6399	1	Hose HYD ASM	32	3250-32	6	Screw-PPH
15	104-8300	2	Nut-HF, NI	33	3250-35	2	Screw-PPH
16	104-8301	3	Nut-HF, NI	34	3256-27	1	Washer-Flat
17	105-2409	4	Screw-HSH	35	3256-53	2	Washer-Flat
18	105-7166	1	Spacer	36	3296-33	1	Nut-Lock, NI
19	105-7180	1	Tower Panel ASM	37	3296-39	1	Nut-Lock, NI
19:2	105-7170	6	Nut-Retainer	38	32149-6	2	Nut, Hex
19:3	105-7179	1	Decal-Brake, Parking				

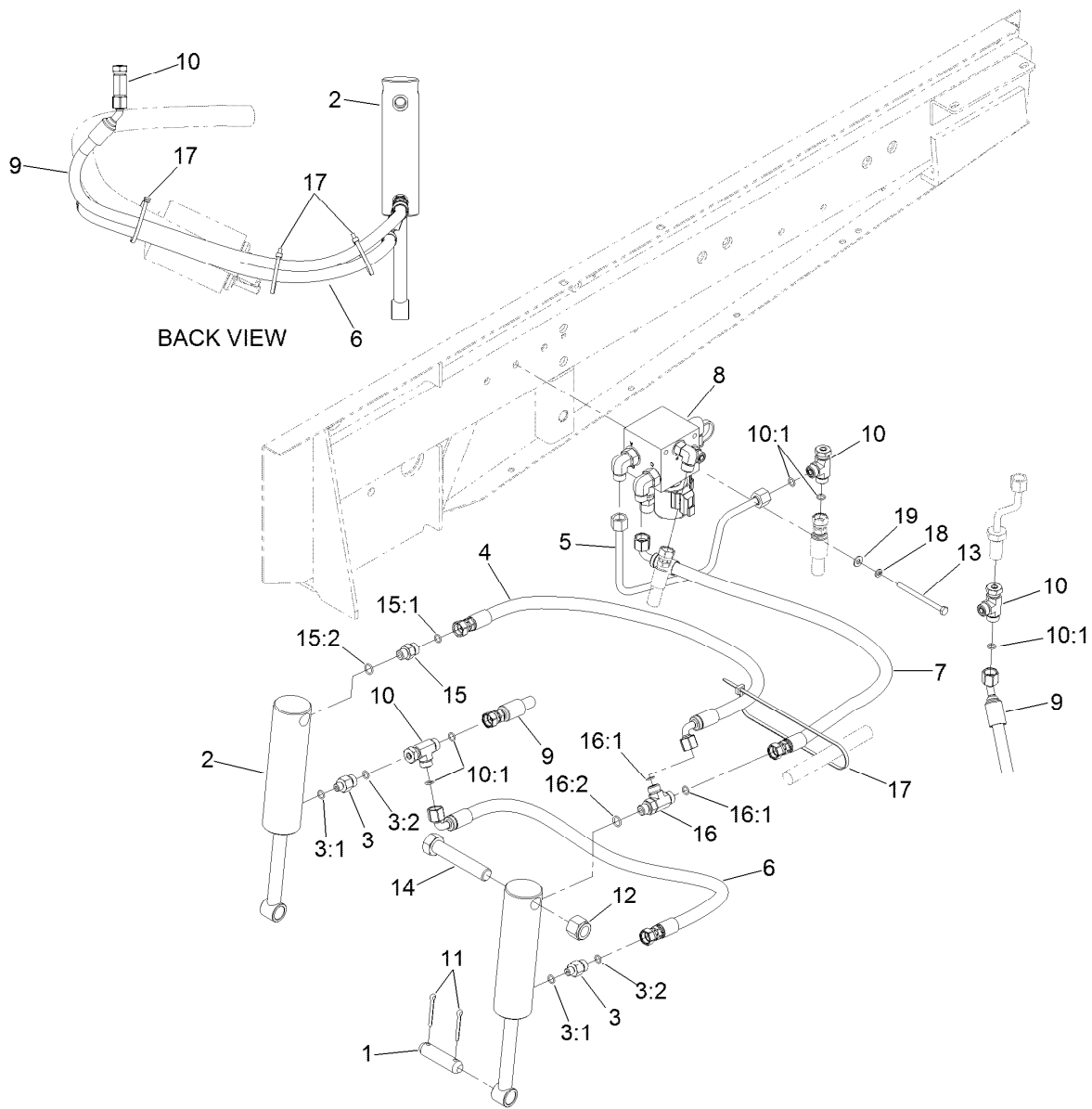


Steer Valve Assembly No. 131-5624

Ref.	Part Number	Qty.	Description
1	237-21	3	O-Ring
2	237-22	2	O-Ring
3	106-6716	1	Seal Kit ●
3:1		1	Ring-Seal, Dust ■
3:2		1	Seal-Shaft ■
3:3		1	O-Ring ■
3:4		2	O-Ring ■
3:5		5	O-Ring ■

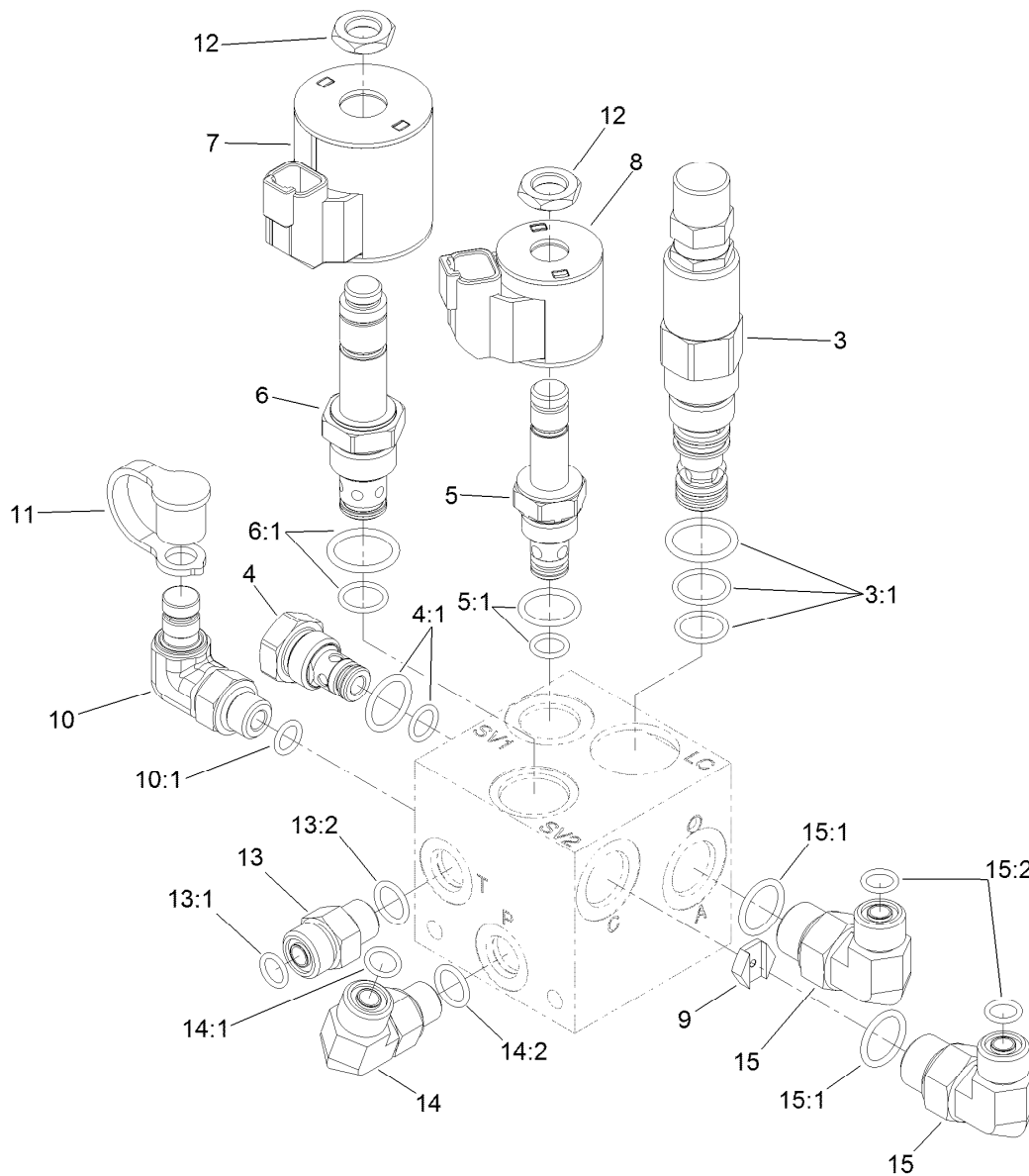
● Not illustrated

■ Not serviced separately



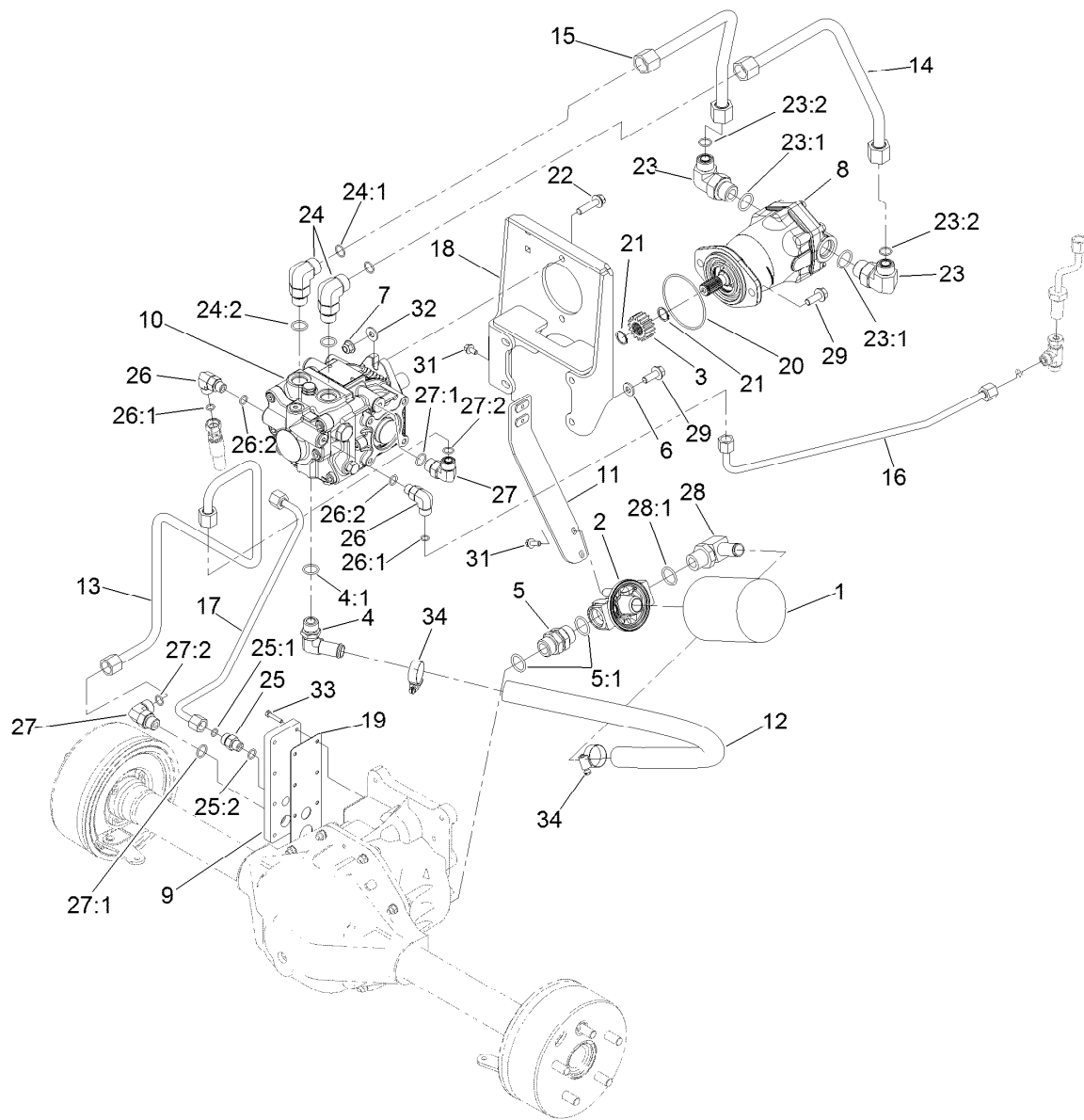
Hydraulic Assembly

<i>Ref.</i>	<i>Part Number</i>	<i>Qty.</i>	<i>Description</i>	<i>Ref.</i>	<i>Part Number</i>	<i>Qty.</i>	<i>Description</i>
1	27-4240	2	Pin-Cylinder	11	3272-23	4	Pin-Cotter
2	63-6630	2	HYD Cylinder ASM	12	3296-51	2	Nut-Lock, NI
3	340-88	2	Fitting-Straight	13	321-19	2	Screw-HH
3:1	237-22	1	O-Ring	14	328-7	2	Screw-HH
3:2	237-78	1	O-Ring	15	340-2	1	Fitting-Straight
4	95-8828	1	Hose ASM	15:1	237-22	1	O-Ring
5	133-6366	1	Tube ASM-HYD	15:2	237-42	1	O-Ring
6	114-5500	1	Hose-Hydraulic	16	340-86	1	Fitting-Tee
7	120-6572	1	Hose-HYD	16:1	237-22	2	O-Ring
8	132-7243	1	Valve ASM	16:2	237-42	1	O-Ring
9	133-6353	1	Hose ASM-HYD	17	3290-379	4	Tie-Cable
10	340-115	3	Fitting-Tee, Swivel Nut	18	3253-3	2	Washer-Lock
10:1	237-22	2	O-Ring	19	3256-22	2	Washer-Flat



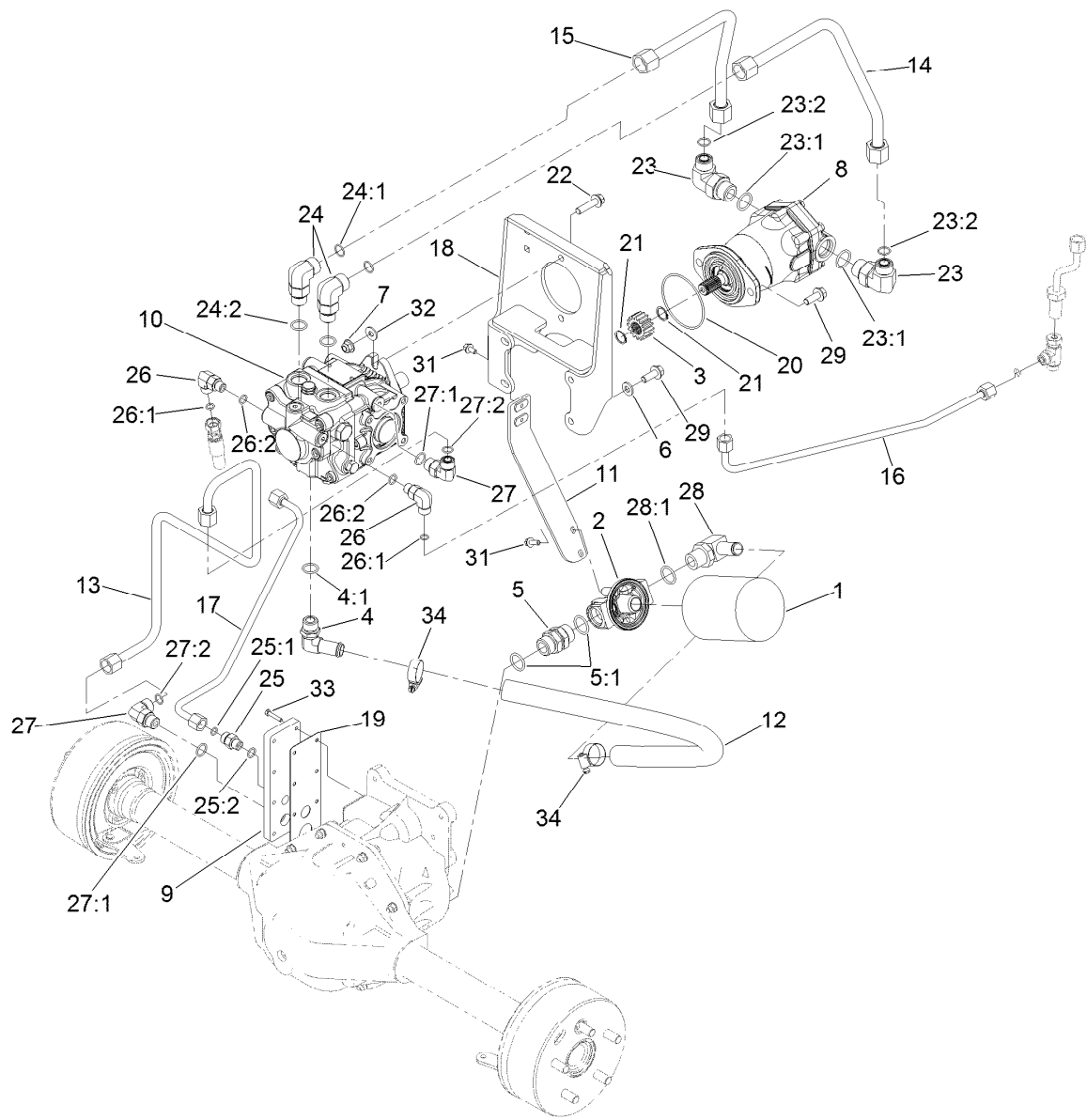
Valve Assembly No. 132-7243

Ref.	Part Number	Qty.	Description	Ref.	Part Number	Qty.	Description
3	120-6554	1	Valve-Logic	10:1	237-78	1	O-Ring
3:1	119-2159	1	Seal Kit	11	354-79	1	Cap-Dust
4	114-2873	1	Check Valve ASM	12	110-2634	2	Nut-Coil
4:1	105-9156	1	Seal Kit	13	340-2	1	Fitting-Straight
5	120-6562	1	Valve-Solenoid	13:1	237-22	1	O-Ring
5:1	105-9156	1	Seal Kit	13:2	237-42	1	O-Ring
6	120-6561	1	Valve-Solenoid	14	340-77	1	Fitting-Elbow, 90 DEG
6:1	105-9159	1	Seal Kit	14:1	237-22	1	O-Ring
7	115-3021	1	Coil-12V	14:2	237-42	1	O-Ring
8	119-8036	1	Coil	15	340-18	2	Fitting-HYD, 90 DEG
9	120-6558	1	Orifice-Control, Flow (0.100In)	15:1	237-79	1	O-Ring
10	115-9147	1	Fitting-Elbow, 90 DEG	15:2	237-22	1	O-Ring



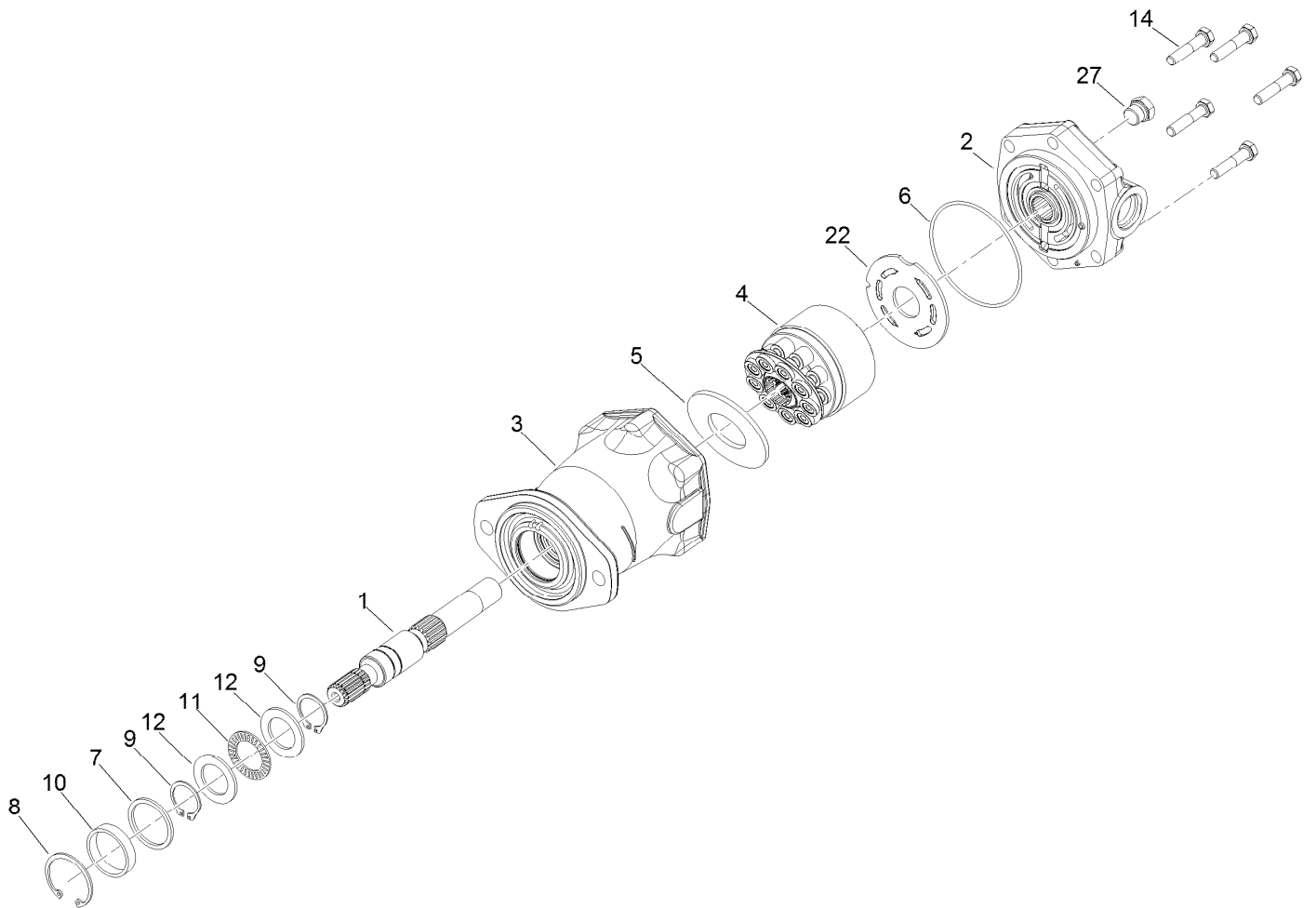
Transmission Hydraulic Assembly

Ref.	Part Number	Qty.	Description	Ref.	Part Number	Qty.	Description
1	54-0110	1	Filter-Oil, Transmission	20	237-161	1	O-Ring
2	68-8990	1	Head-Filter	21	32120-72	2	Ring-Snap
3	86-7220	1	Gear-Pinion	22	114-4681	2	Screw-HHF
4	87-8170	1	Fitting-90	23	340-139	2	Fitting-Elbow 90
4:1	237-80	1	O-Ring	23:1	237-81	1	O-Ring
5	98-9906	1	Fitting-Thread, Straight	23:2	237-65	1	O-Ring
5:1	237-81	2	O-Ring	24	340-17	2	Fitting-Elbow, 90 DEG
6	100-4852	1	Washer-Hardened	24:1	237-65	1	O-Ring
7	104-8301	2	Nut-HF, NI	24:2	237-80	1	O-Ring
8	130-8724	1	Motor-Hydraulic	25	340-2	1	Fitting-Straight
9	130-8755	1	Plate-Axle	25:1	237-22	1	O-Ring
10	133-6385	1	Pump-Hydraulic	25:2	237-42	1	O-Ring
11	132-7227-03	1	Bracket-Filter	26	340-77	2	Fitting-Elbow, 90 DEG
12	132-7242	1	Hose-Suction	26:1	237-22	1	O-Ring
13	132-7250	1	Tube ASM	26:2	237-42	1	O-Ring
14	132-7251	1	Tube ASM	27	340-98	2	Fitting-Elbow, 90 DEG
15	132-7252	1	Tube ASM	27:1	237-79	1	O-Ring
16	133-6352	1	Tube ASM	27:2	237-30	1	O-Ring
17	133-6351	1	Tube ASM	28	353-987	1	Fitting-Elbow, 90
18	132-7276-03	1	Bracket-Pump	28:1	237-81	1	O-Ring
19	132-7277	1	Gasket-Plate, Axle	29	3234-42	6	Screw-HHF



Transmission Hydraulic Assembly (continued)

<i>Ref.</i>	<i>Part Number</i>	<i>Qty.</i>	<i>Description</i>	<i>Ref.</i>	<i>Part Number</i>	<i>Qty.</i>	<i>Description</i>
31	3234-4	4	Screw-HHF	33	117-1701	8	Screw-HWHTF
32	3256-3	2	Washer-Flat	34	2412-129	2	Clamp-Hose

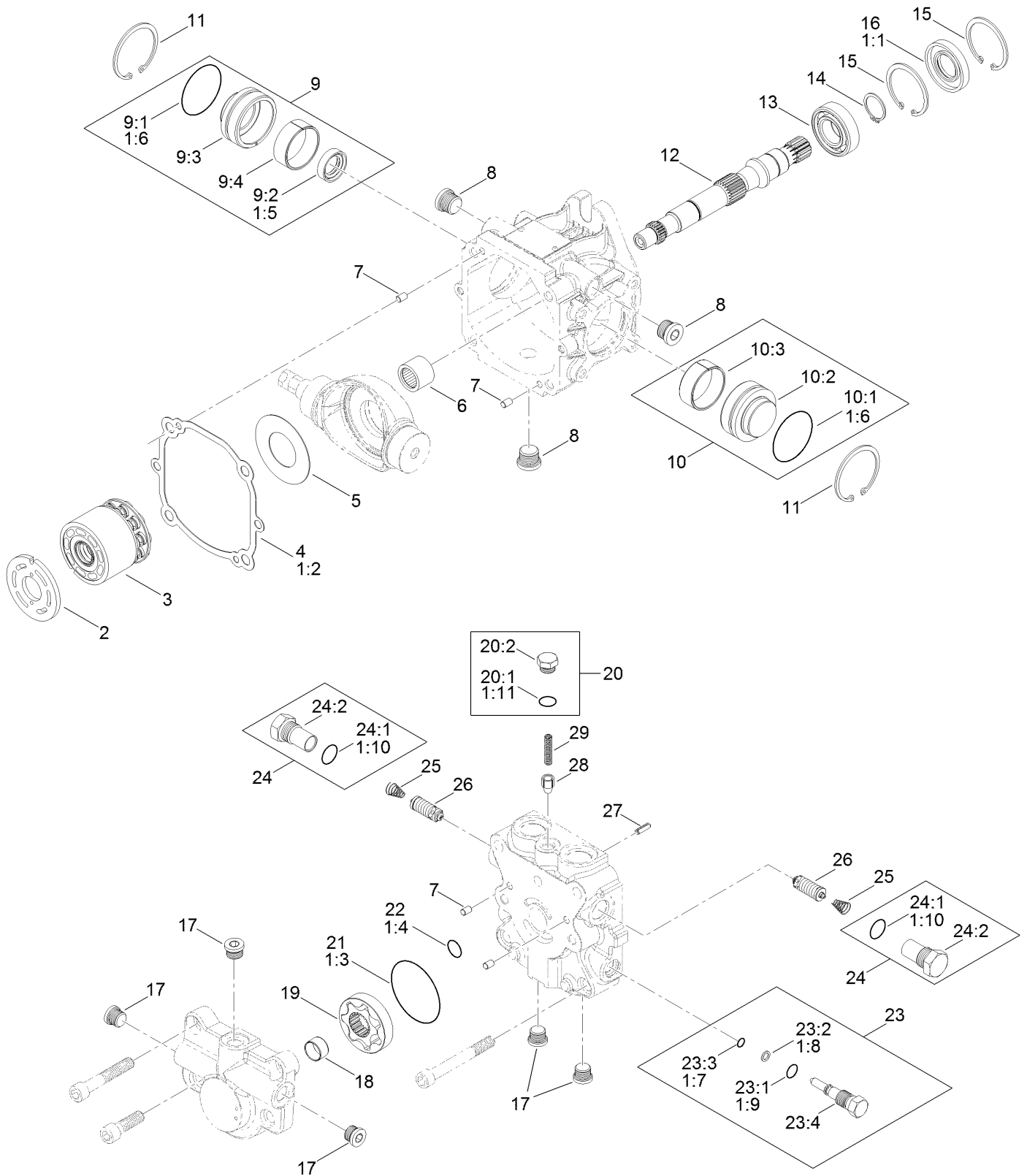


Hydraulic Motor Assembly No. 130-8724

Ref.	Part Number	Qty.	Description
1	136-1038	1	Shaft-Drive, Splined
2		1	Backplate ASM ●
3		1	Housing ASM ●
4	136-1039	1	Rotating Kit ASM
5	136-1040	1	Insert-Camplate
6	136-1041	1	O-Ring
7	136-1042	1	Washer
8	136-1043	1	Ring-Retaining
9	136-1044	2	Ring-Retaining
10	136-1045	1	Spacer
11	136-1046	1	Bearing-Thrust
12	136-1047	2	Race-Bearing
14		1	Screw-Cap ●
22	136-1048	1	Plate-Valve
27	136-1049	1	Plug ASM

● Not serviced separately

Hydraulic Pump Assembly No. 133-6385

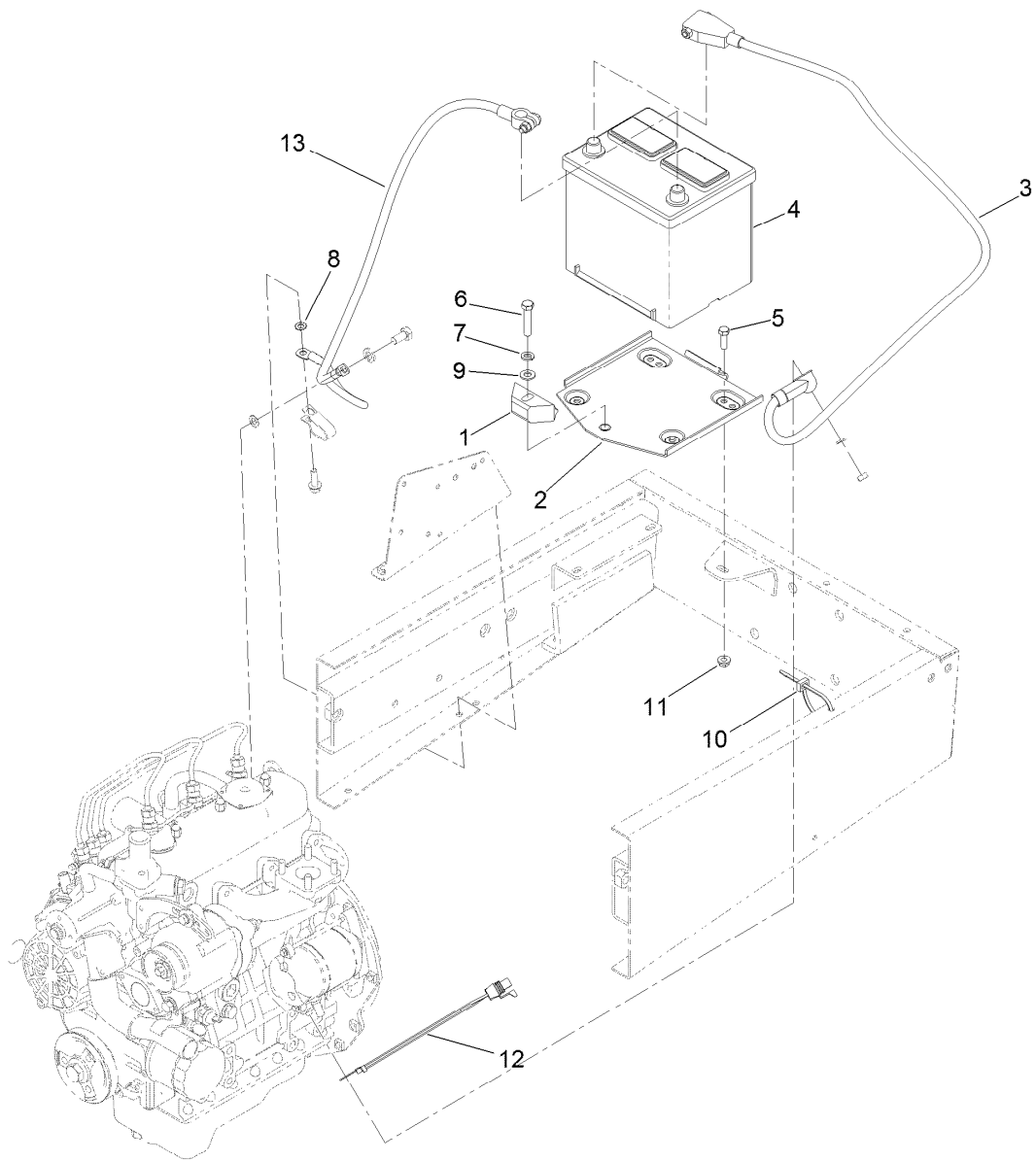


1 = Items Included in Seal Overhaul Kit

Hydraulic Pump Assembly No. 133-6385 (continued)

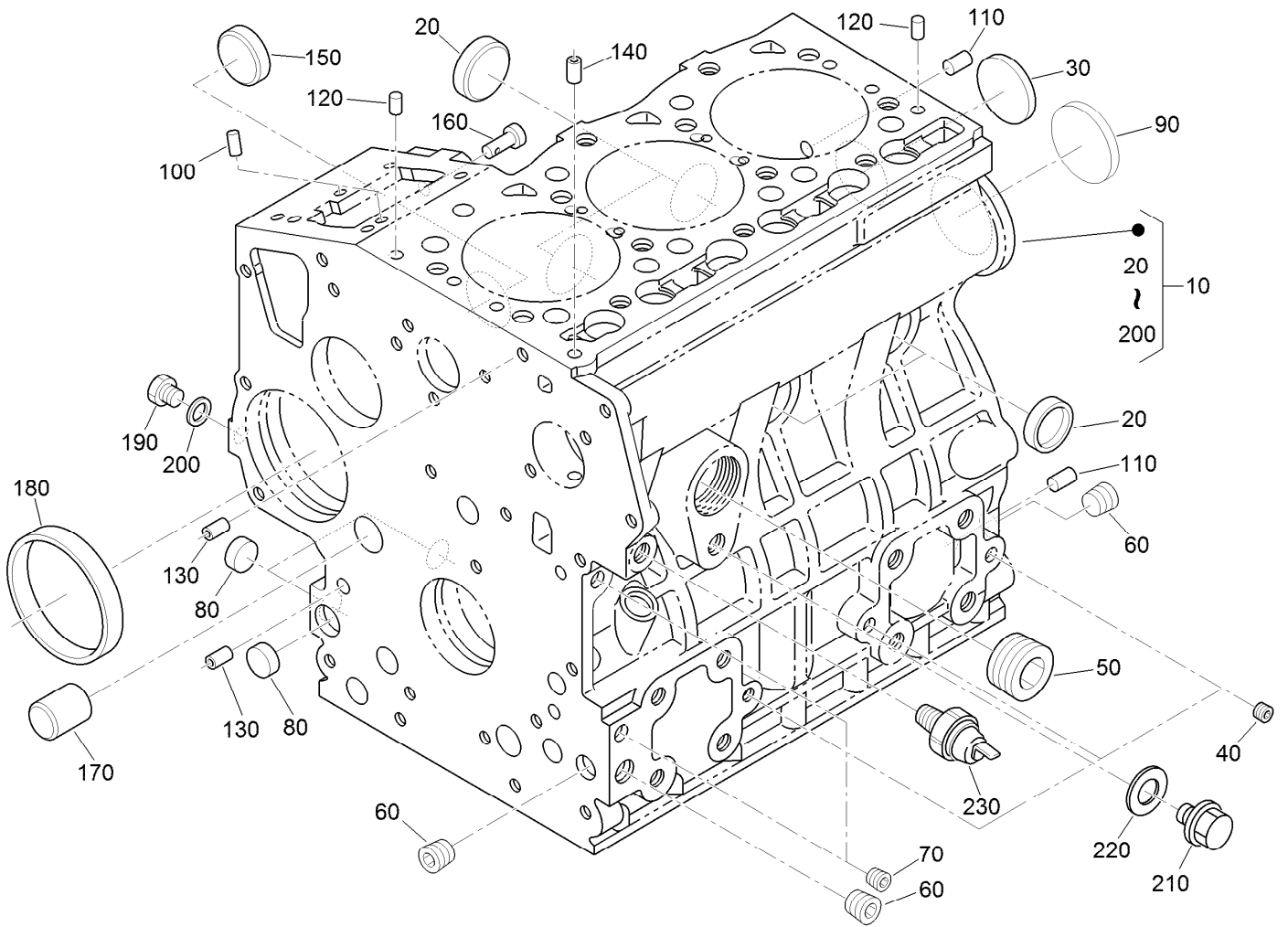
<i>Ref.</i>	<i>Part Number</i>	<i>Qty.</i>	<i>Description</i>	<i>Ref.</i>	<i>Part Number</i>	<i>Qty.</i>	<i>Description</i>
1	136-1010	1	Seal Overhaul Kit	10:3		1	Race-Inner ●
1:1	136-1021	1	Seal-Lip, Shaft	11	136-1020	2	Ring-Retaining
1:2	136-1023	1	Gasket-Cap, End	12	136-1016	1	Shaft-Drive
1:3	136-1031	1	O-Ring	13	136-1017	1	Bearing-Ball
1:4	136-1032	1	O-Ring	14	136-1018	1	Ring-Retaining
1:5		1	Seal-Lip, Journal Bearing ●	15	136-1019	2	Ring-Retaining
1:6		2	O-Ring, Journal Bearing ●	16	136-1021	1	Seal-Lip, Shaft
1:7		1	O Ring-Valve, Bypass ●	17	136-1027	5	Plug ASM
1:8		1	Ring-Back Up ●	18	136-1030	1	Bearing-Journal
1:9		1	O Ring-Valve, Bypass ●	19	136-1029	1	Gerotor ASM
1:10		2	O Ring-Plug ●	20	136-1028	1	Plug ASM
1:11		1	O Ring-Plug ●	20:1		1	O-Ring ●
2	136-1012	1	Plate-Valve, CCW	20:2		1	Plug ●
3	136-1011	1	Cylinder Block Kit	21	136-1031	1	O-Ring
4	136-1023	1	Gasket-Cap, End	22	136-1032	1	O-Ring
5	136-1013	1	Plate-Thrust	23	136-1037	1	Bypass Valve ASM
6	136-1022	1	Bearing-Needle	23:1		1	O-Ring ●
7	136-1024	4	Pin	23:2		1	Back Up Ring ●
8	74-9450	3	Plug	23:3		1	O-Ring ●
9	136-1014	1	Journal Bearing Carrier ASM	23:4		1	Plug ●
9:1		1	O-Ring ●	24	136-1025	2	Plug ASM
9:2		1	Seal-Lip ●	24:1		1	O-Ring ●
9:3		1	Body ●	24:2		1	Plug ●
9:4		1	Race-Inner ●	25	136-1035	2	Spring
10	136-1015	1	Journal Bearing Carrier ASM	26	136-1036	2	Valve-Scr
10:1		1	O-Ring ●	27	131-3800	1	Pin-Slotted
10:2		1	Body ●	28	136-1033	1	Cone-Valve, Relief
				29	136-1034	1	Spring

● Not serviced separately



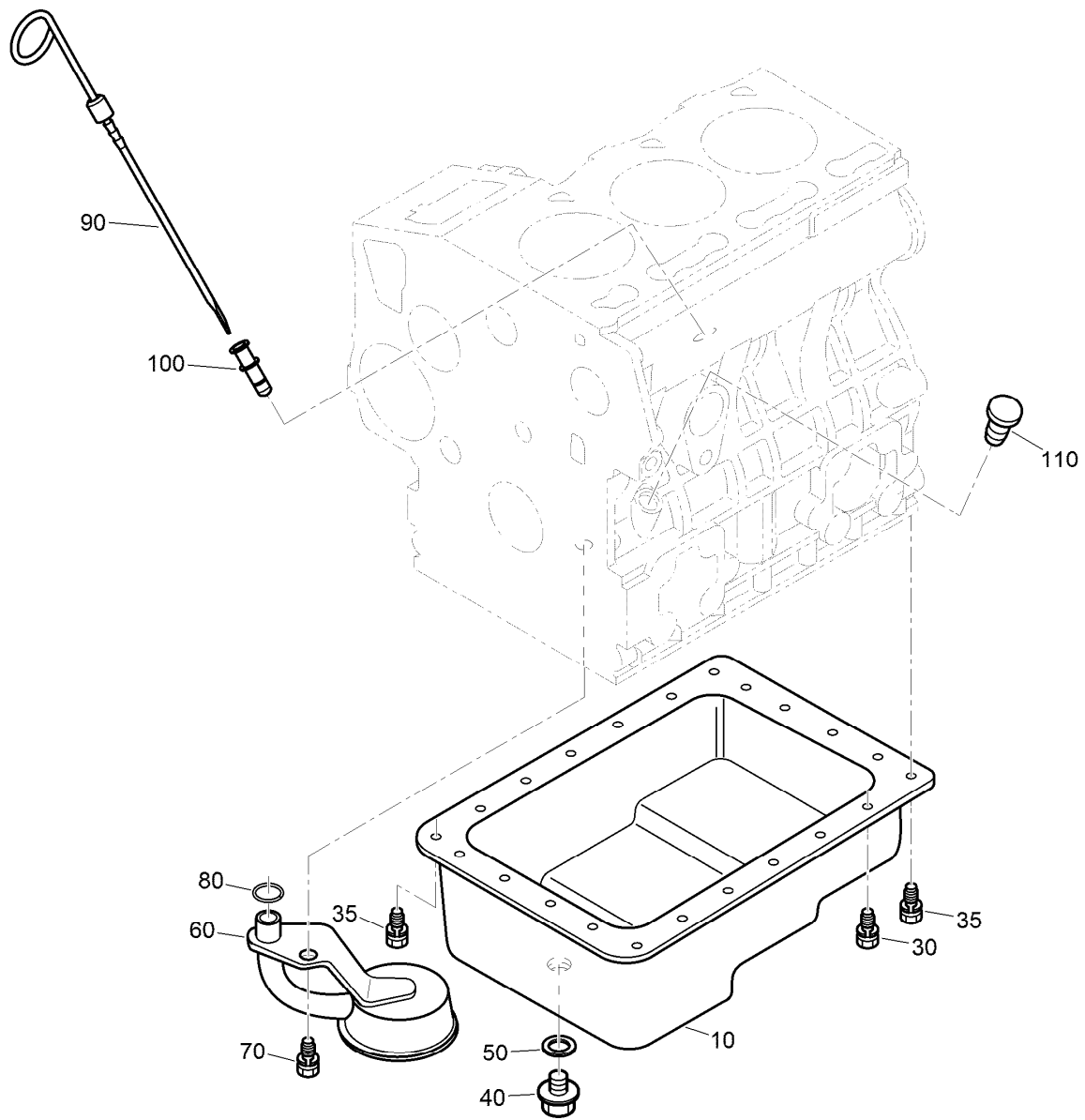
Battery Assembly

Ref.	Part Number	Qty.	Description
1	66-2490	1	Retainer-Battery
2	94-7343	1	Base-Battery
3	104-0086	1	Cable-Battery, Positive
4	106-5187	1	Battery-Dry
5	322-5	3	Screw-HH
6	323-9	1	Screw-HH
7	3253-21	1	Washer-Lock
8	3255-8	1	Washer-Lock
9	3256-24	1	Washer-Flat
10	3290-378	8	Tie-Cable
11	32128-20	3	Nut-HF
12	99-3441	1	Harness-Wire, Fusible Link
13	105-0040	1	Cable-Battery, Negative



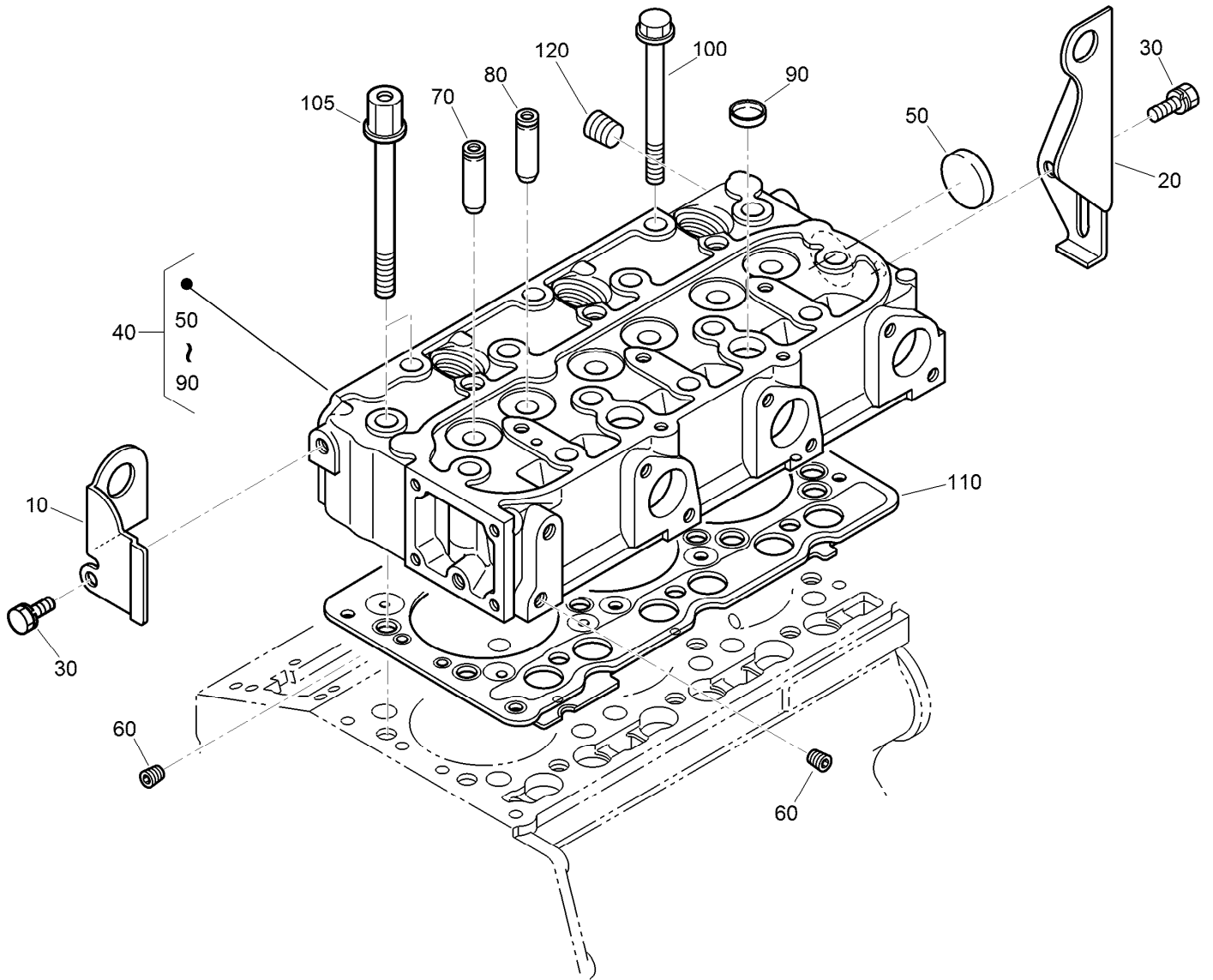
Crankcase Assembly

<i>Ref.</i>	<i>Part Number</i>	<i>Qty.</i>	<i>Description</i>	<i>Ref.</i>	<i>Part Number</i>	<i>Qty.</i>	<i>Description</i>
10	115-3443	1	Crankcase ASM	130	98-9387	2	Pin-Pipe
20	98-9398	4	Cap-Sealing	140	98-9539	1	Pin-Pipe
30	98-7539	1	Cap-Sealing	150	98-9599	1	Plug
40	98-9687	3	Plug	160	98-9630	1	Pin-Spring, Start
50	105-3779	1	Plug	170	98-9675	1	Plug
60	98-9597	3	Plug	180	98-9656	1	Bushing-Governor, Gear
70	98-7487	2	Plug	190	120-2559	1	Plug
80	98-9379	3	Plug-Expansion	200	98-7428	1	Gasket
90	98-9668	1	Plug-Expansion	210	99-3447	1	Plug
100	98-9375	2	Pin-Straight	220	106-7056	1	Gasket
110	98-9377	2	Pin-Straight	230	98-9416	1	Switch-Oil
120	98-9376	2	Pin-Straight				



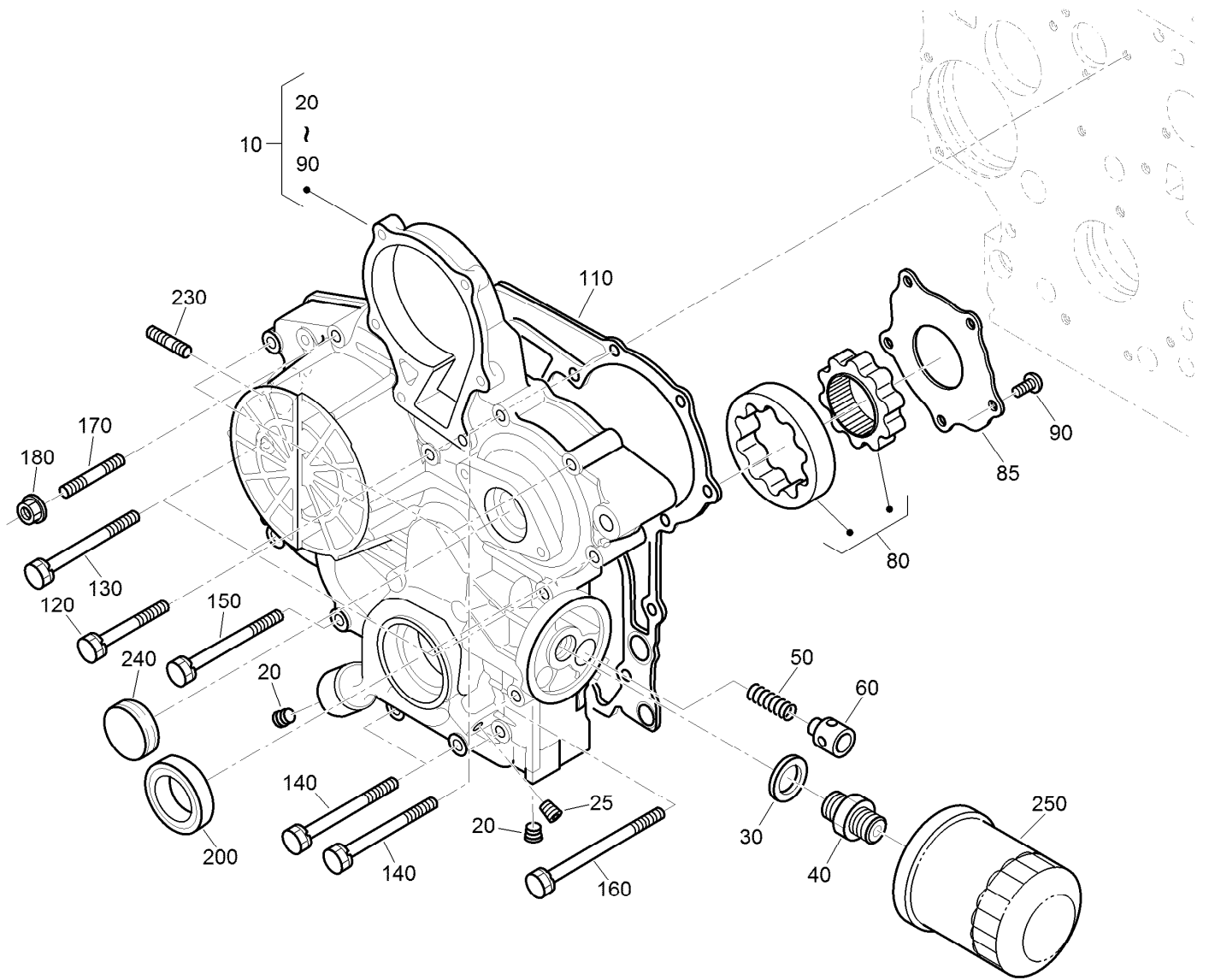
Oil Pan and Dipstick Assembly

<i>Ref.</i>	<i>Part Number</i>	<i>Qty.</i>	<i>Description</i>
10	104-3495	1	Pan-Oil
30	98-9351	20	Bolt
35	98-9351	2	Bolt
40	114-8151	1	Plug-Drain
50	98-7524	1	Gasket
60	130-1292	1	Filter-Oil
70	98-7526	1	Bolt
80	105-3776	1	O-Ring
90	104-9348	1	Gauge-Oil
100	105-4580	1	Guide-Gauge, Oil
110	110-3720	1	Plug-Gauge, Oil



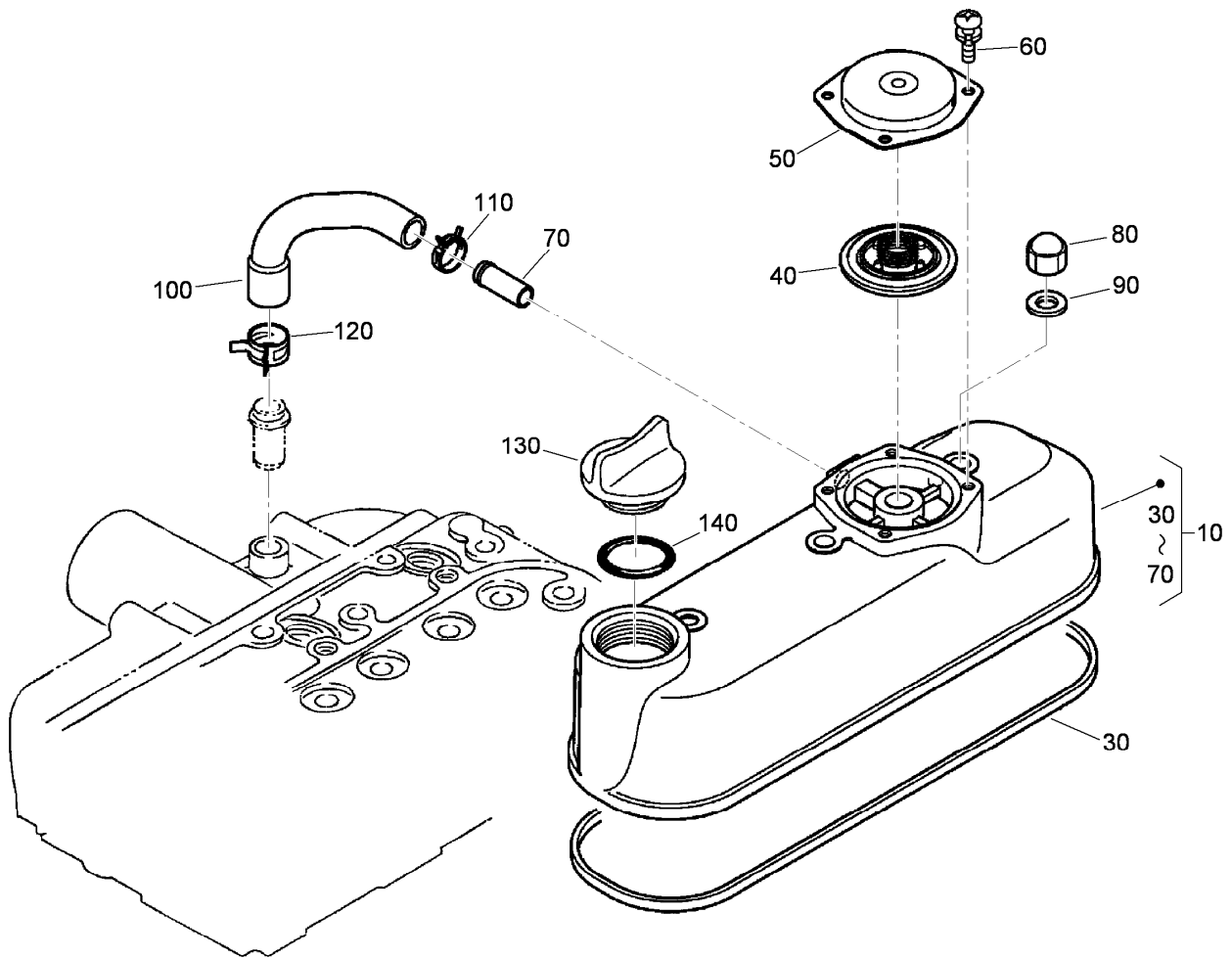
Cylinder Head Assembly

Ref.	Part Number	Qty.	Description
10	130-1231	1	Hook-Engine
20	98-9478	1	Hook-Engine
30	100-9195	2	Bolt
40	130-1544	1	Cylinder Head ASM
50	105-3705	1	Cap-Sealing
60	98-9687	2	Plug
70	107-9066	3	Guide-Valve, Inlet
80	107-9067	3	Guide-Valve, Exhaust
90	98-9389	2	Cap-Sealing
100	98-9479	12	Bolt-Head, Cylinder
105	98-9647	2	Bolt-Head, Cylinder
110	108-6573	1	Gasket-Head, Cylinder
120	98-9444	1	Plug



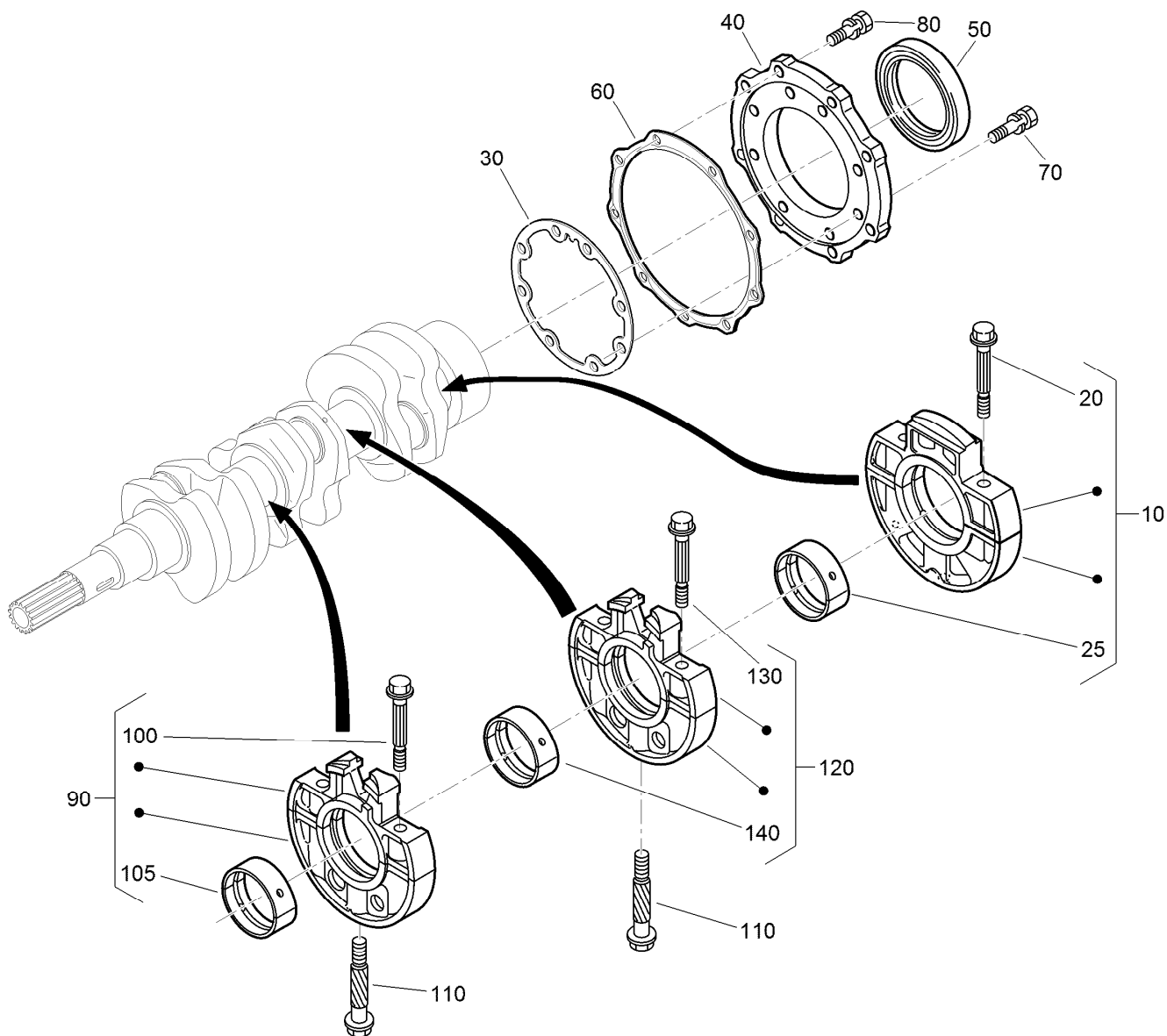
Gear Case and Oil Filter Cartridge Assembly

Ref.	Part Number	Qty.	Description	Ref.	Part Number	Qty.	Description
10	115-4105	1	Gear Case ASM	120	100-1765	3	Bolt
20	127-0425	2	Plug	130	125-9063	4	Bolt-Sems
25	98-7487	1	Plug	140	98-9356	4	Bolt
30	98-7562	1	Washer-Plain	150	107-9074	1	Bolt
40	98-9388	1	Joint-Pipe	160	99-3510	1	Bolt
50	130-1511	1	Spring	170	105-3709	1	Stud
60	130-1510	1	Valve-Relief	180	100-2203	1	Nut-Flange
80	130-1508	1	Rotor ASM	200	119-8038	1	Seal-Oil
85	130-1509	1	Cover-Pump, Oil	230	105-3710	2	Stud
90	130-1164	5	Screw-Binding	240	99-3515	1	Plug-Gearcase
110	98-9633	1	Gasket-Case, Gear	250	127-0511	1	Filter-Oil



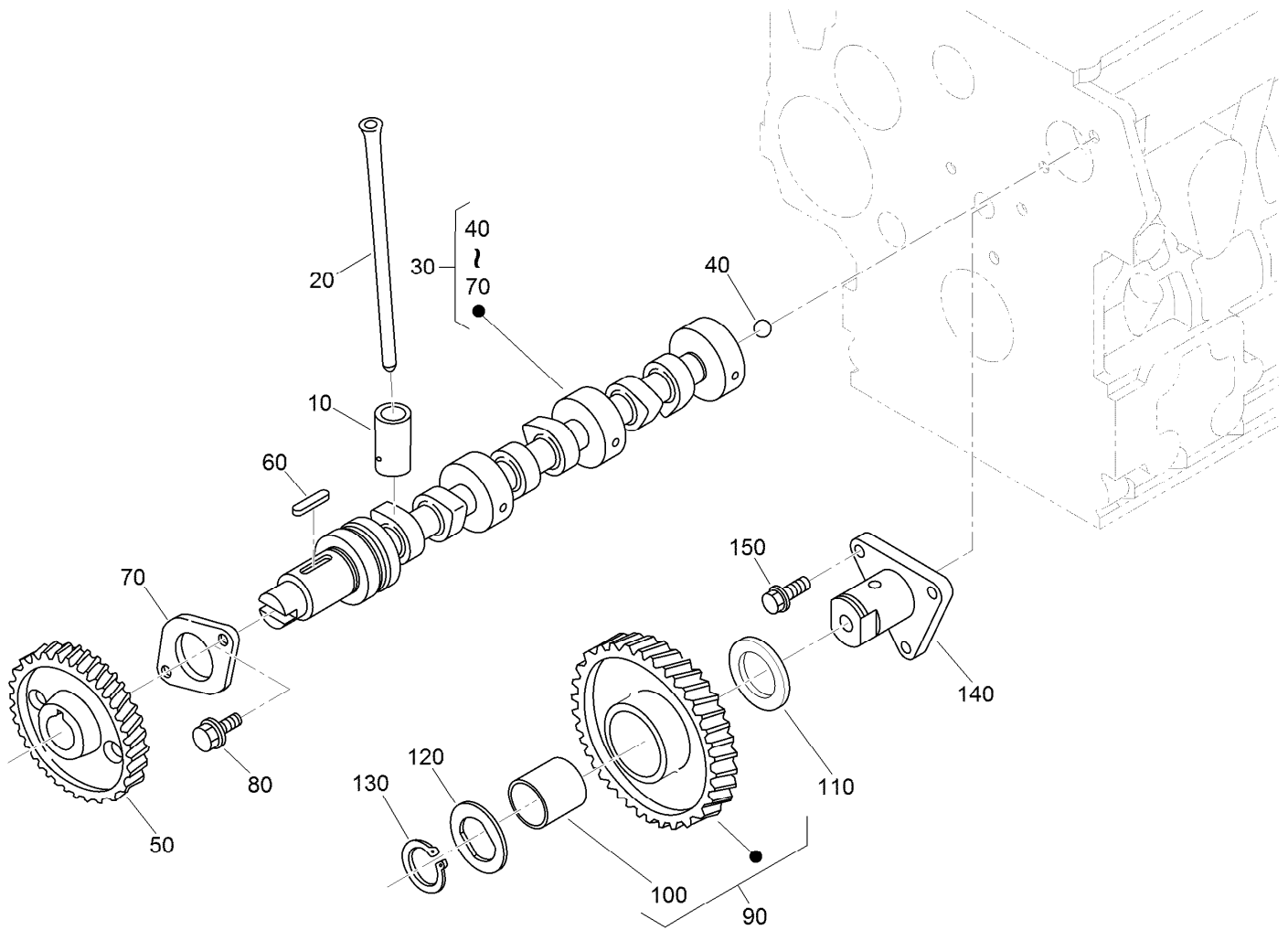
Cylinder Head Cover Assembly

<i>Ref.</i>	<i>Part Number</i>	<i>Qty.</i>	<i>Description</i>
10	115-3446	1	Cylinder Head Cover ASM
30	98-9615	1	Gasket-Cover, Head
40	110-3715	1	Valve-Breather
50	110-3714	1	Cover-Breather
60	98-9364	4	Screw (With Washer)
70	98-7766	1	Pipe-Return, Water
80	98-9455	3	Nut-Cap
90	98-9454	3	Gasket
100	108-2858	1	Tube-Breather
110	108-2859	1	Clamp-Hose
120	108-2860	1	Clamp-Hose
130	107-9075	1	Plug-Filler, Oil
140	99-3446	1	O-Ring



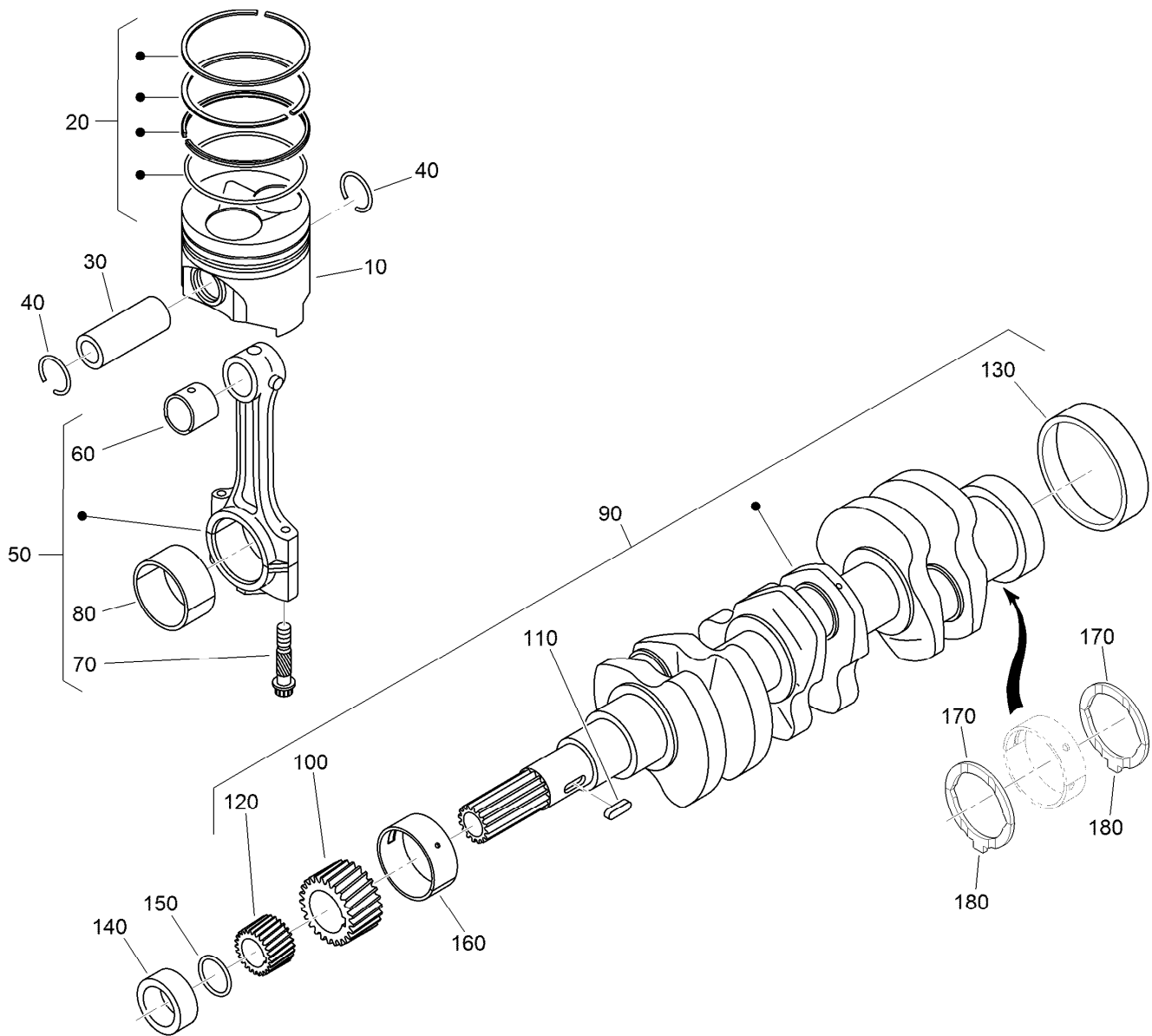
Main Bearing Case Assembly

Ref.	Part Number	Qty.	Description	Ref.	Part Number	Qty.	Description
10	112-7026	1	Wheel Bearing Case ASM	90	115-4106	1	Main Bearing Case ASM
20	98-9484	2	Bolt-Case, Bearing	100	98-9484	2	Bolt-Case, Bearing
25	115-4121	1	Metal-Crankshaft (STD)	105	98-9524	1	Metal-Crankshaft (STD Set)
25	112-7039	1	Metal-Crankshaft (0.2Mm)	105	127-0433	1	Metal-Crankshaft (-0.2Mm)
25	112-7040	1	Metal-Crankshaft (-0.4Mm)	105	98-9531	1	Bearing-Main (0.4Mm)
30	131-6554	1	Gasket-Case, Bearing	110	98-9485	2	Bolt-Case, Bearing
40	112-7046	1	Cover-Case, Bearing	120	115-4107	1	Main Bearing Case ASM
50	112-0180	1	Seal-Oil	130	98-9484	2	Bolt-Case, Bearing
60	112-7037	1	Gasket-Cover, Case	140	98-9524	1	Metal-Crankshaft (STD Set)
70	127-0441	8	Bolt	140	127-0433	1	Metal-Crankshaft (-0.2Mm)
80	127-0442	9	Bolt	140	98-9531	1	Bearing-Main (0.4Mm)



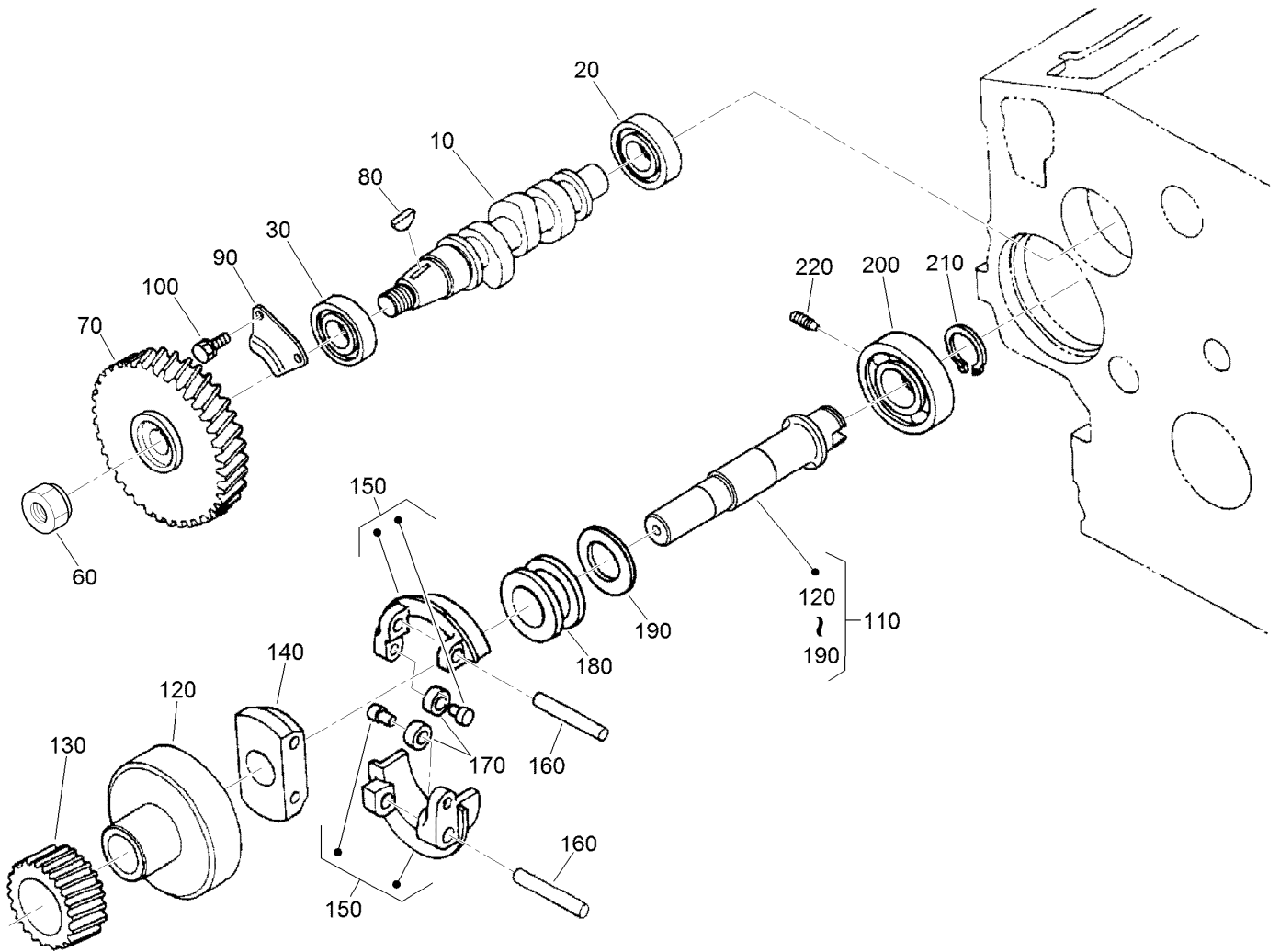
Camshaft and Idle Gear Shaft Assembly

Ref.	Part Number	Qty.	Description
10	112-0185	6	Tappet
20	127-0421	6	Rod-Push
30	130-1545	1	Camshaft ASM
40	110-3729	1	Ball
50	98-9512	1	Gear-Cam
60	98-9378	1	Key-Feather
70	98-9510	1	Stopper-Camshaft
80	98-7692	2	Bolt
90	117-7584	1	Idler Gear ASM
100	117-7585	1	Bushing-Gear, Idle
110	98-9535	1	Collar-Gear, Idle
120	98-9536	1	Collar-Gear, Idle
130	98-9534	1	Circlip-Gear, Idle
140	98-9533	1	Shaft-Gear, Idle
150	98-7692	3	Bolt



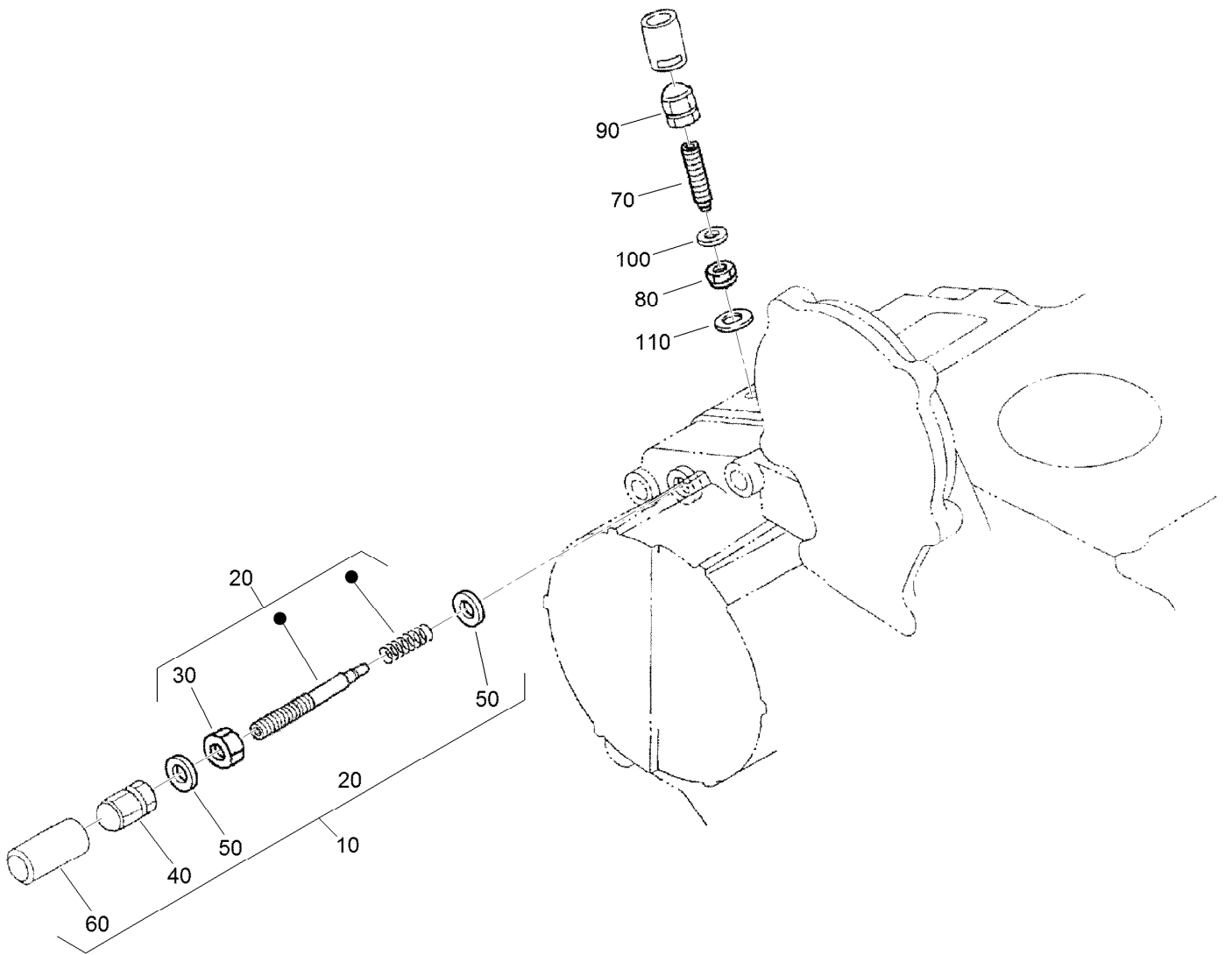
Piston and Crankshaft Assembly

<i>Ref.</i>	<i>Part Number</i>	<i>Qty.</i>	<i>Description</i>	<i>Ref.</i>	<i>Part Number</i>	<i>Qty.</i>	<i>Description</i>
10	130-1546	3	Piston (STD)	110	98-9666	1	Key
10	130-1549	3	Piston (+0.50Mm)	120	127-0445	1	Gear-Drive, Oil Pump
20	130-1506	3	Piston Ring ASM (STD)	130	98-9522	1	Sleeve-Crankshaft
20	130-1507	3	Piston Ring ASM (+0.50Mm)	140	127-0444	1	Collar-Crankshaft
30	98-9513	3	Pin-Piston	150	105-3783	1	O-Ring
40	98-9514	6	Circlip-Pin, Piston	160	112-7005	1	Bearing-Main (STD)
50	117-7586	3	Connecting Rod ASM	160	98-9528	1	Bearing-Main (-0.2Mm)
60	115-3014	3	Bushing-Pin, Piston	160	127-0432	1	Metal-Crankshaft (-0.4Mm)
70	98-9517	6	Bolt-Rod, Connecting	170	98-9413	2	Bearing-Thrust (STD)
80	98-9553	3	Bearing-Rod (STD)	170	127-0416	2	Metal-Side (+0.2Mm)
80	98-9519	3	Bearing-Rod (-0.2Mm)	170	127-0417	2	Metal-Side (+0.40Mm)
80	117-7588	3	Metal-Crankpin (-0.4Mm)	180	98-9688	2	Bearing-Thrust (STD)
90	130-1375	1	Crankshaft ASM	180	127-0437	2	Metal-Side (+0.2Mm)
100	117-7561	1	Gear-Crankshaft	180	127-0438	2	Metal-Side (+0.40Mm)



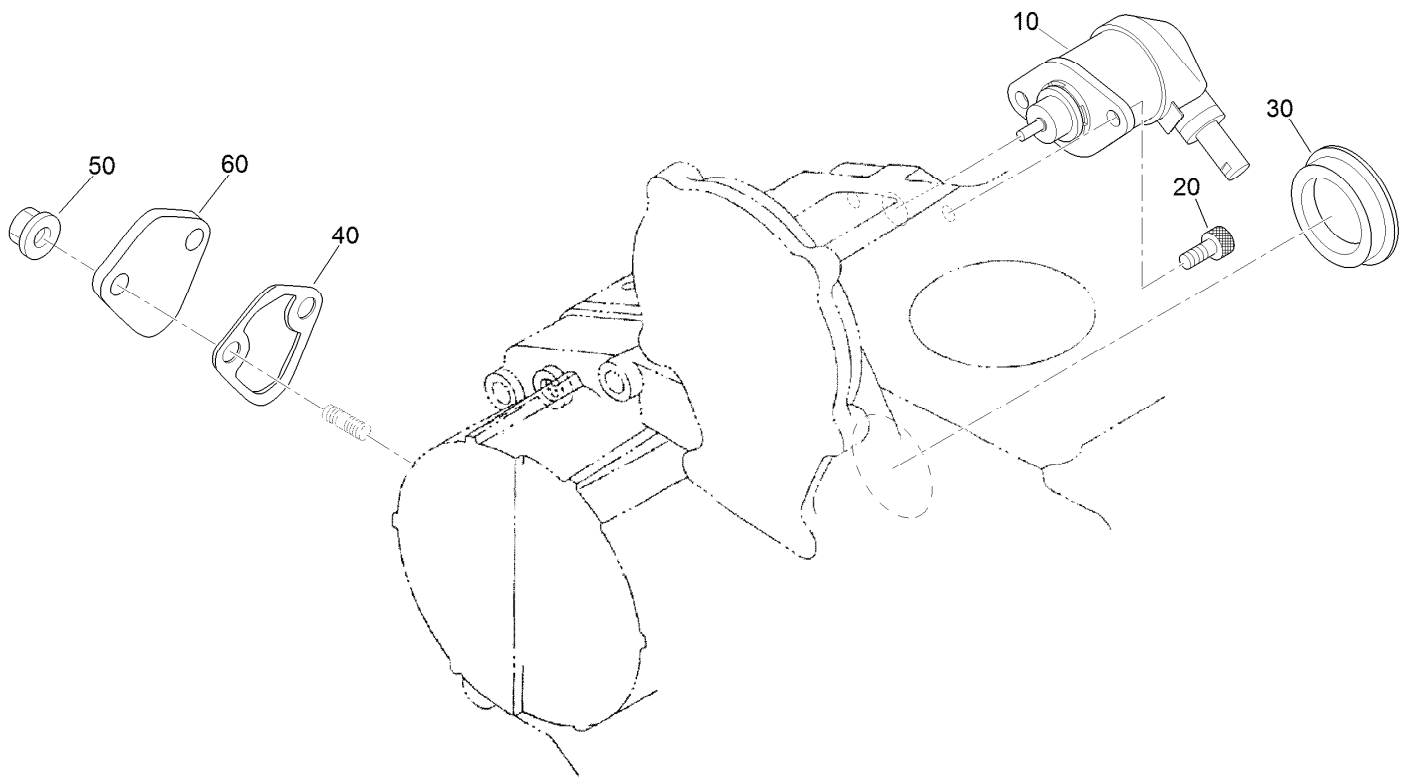
Fuel Camshaft and Governor Shaft Assembly

<i>Ref.</i>	<i>Part Number</i>	<i>Qty.</i>	<i>Description</i>	<i>Ref.</i>	<i>Part Number</i>	<i>Qty.</i>	<i>Description</i>
10	98-9459	1	Camshaft-Fuel	130	98-9673	1	Gear-Governor
20	107-9077	1	Bearing-Ball	140	98-9561	1	Holder-Weight, Governor
30	107-9078	1	Bearing-Ball	150	130-1240	2	Governor Weight ASM
60	130-1512	1	Nut	160	98-9560	2	Shaft-Weight, Governor
70	120-2562	1	Gear-Pump, Injection	170	98-9692	2	Roller
80	98-9595	1	Key-Woodruff	180	98-9563	1	Sleeve-Governor
90	98-9511	1	Stopper-Fuel, Camshaft	190	98-9564	1	Washer-Thrust
100	98-7692	2	Bolt	200	107-9079	1	Bearing-Ball
110	98-9644	1	Governor Shaft ASM	210	98-9657	1	Circlip-Shaft, Governor
120	98-9562	1	Holder-Gear, Governor	220	98-9565	1	Screw-Set



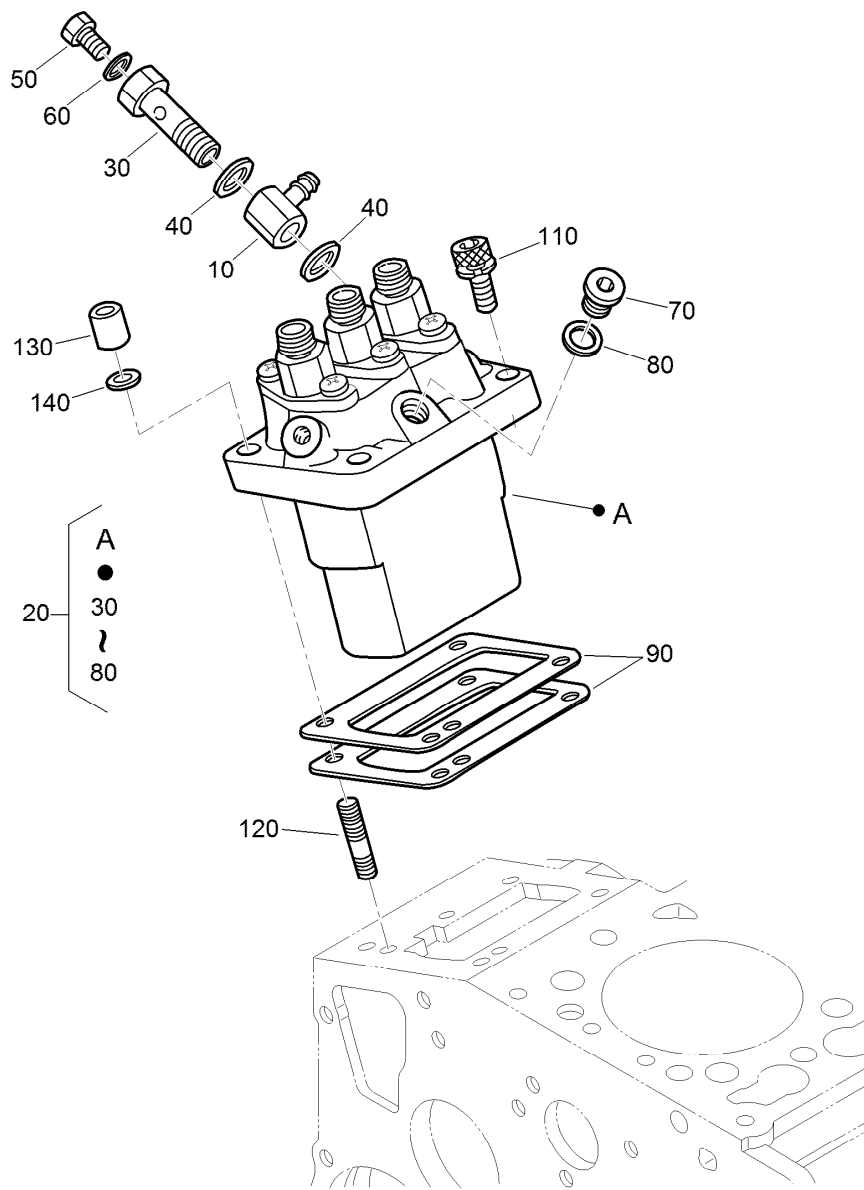
Idle Apparatus Assembly

<i>Ref.</i>	<i>Part Number</i>	<i>Qty.</i>	<i>Description</i>
10	98-9678	1	Idle Apparatus ASM
20	112-7014	1	Adjusting Bolt ASM
30	98-9439	1	Nut
40	112-0181	1	Nut
50	98-7654	2	Gasket
60	98-7656	1	Cap
70	112-7015	1	Bolt-Adjusting
80	100-2175	1	Nut-Lock
90	112-0181	1	Nut
100	98-7654	1	Gasket
110	107-9081	1	Gasket



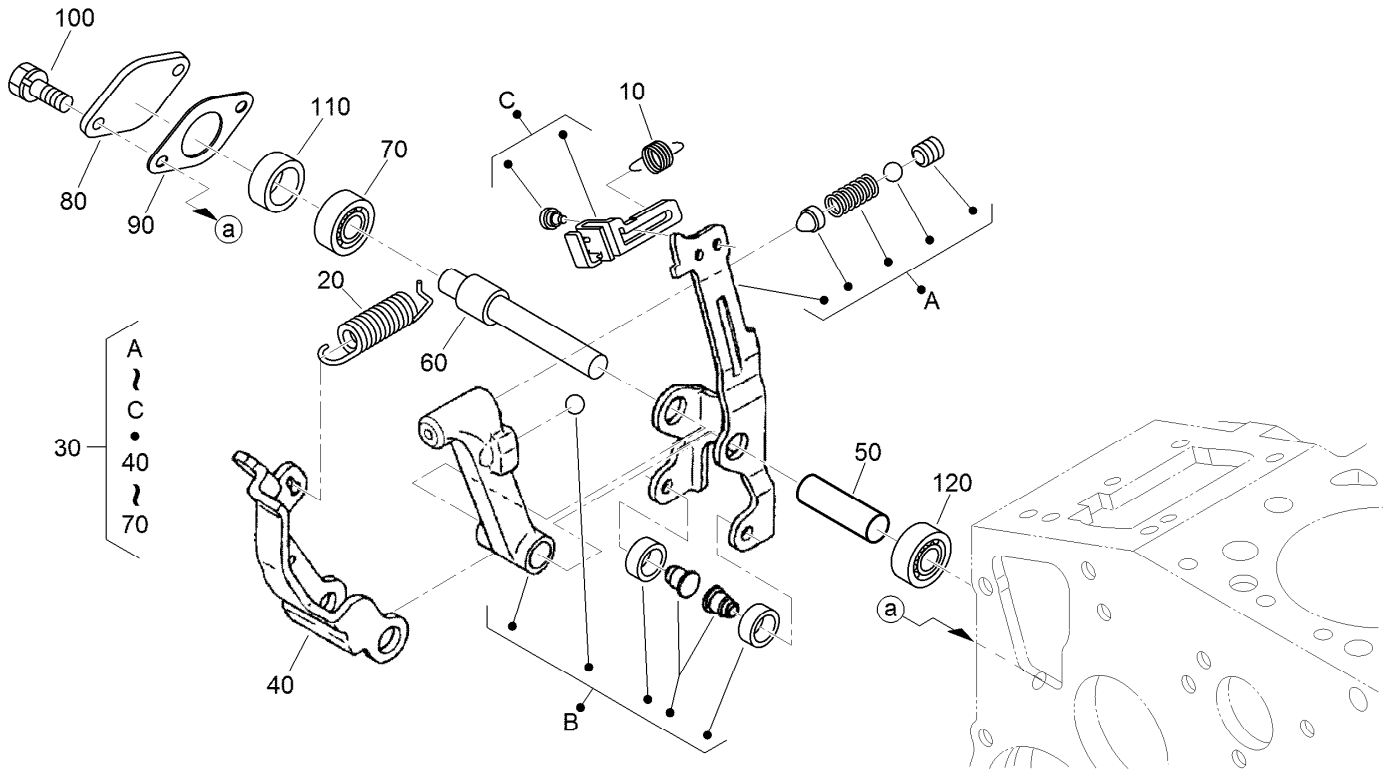
Stop Solenoid and Fuel Pump Cover Assembly

<i>Ref.</i>	<i>Part Number</i>	<i>Qty.</i>	<i>Description</i>
10	104-5155	1	Solenoid-Stop
20	130-1155	2	Screw-HSH
30	99-3514	1	Cover
40	117-7562	1	Gasket-Pump, Fuel
50	100-2203	2	Nut-Flange
60	112-7016	1	Cover-Pump



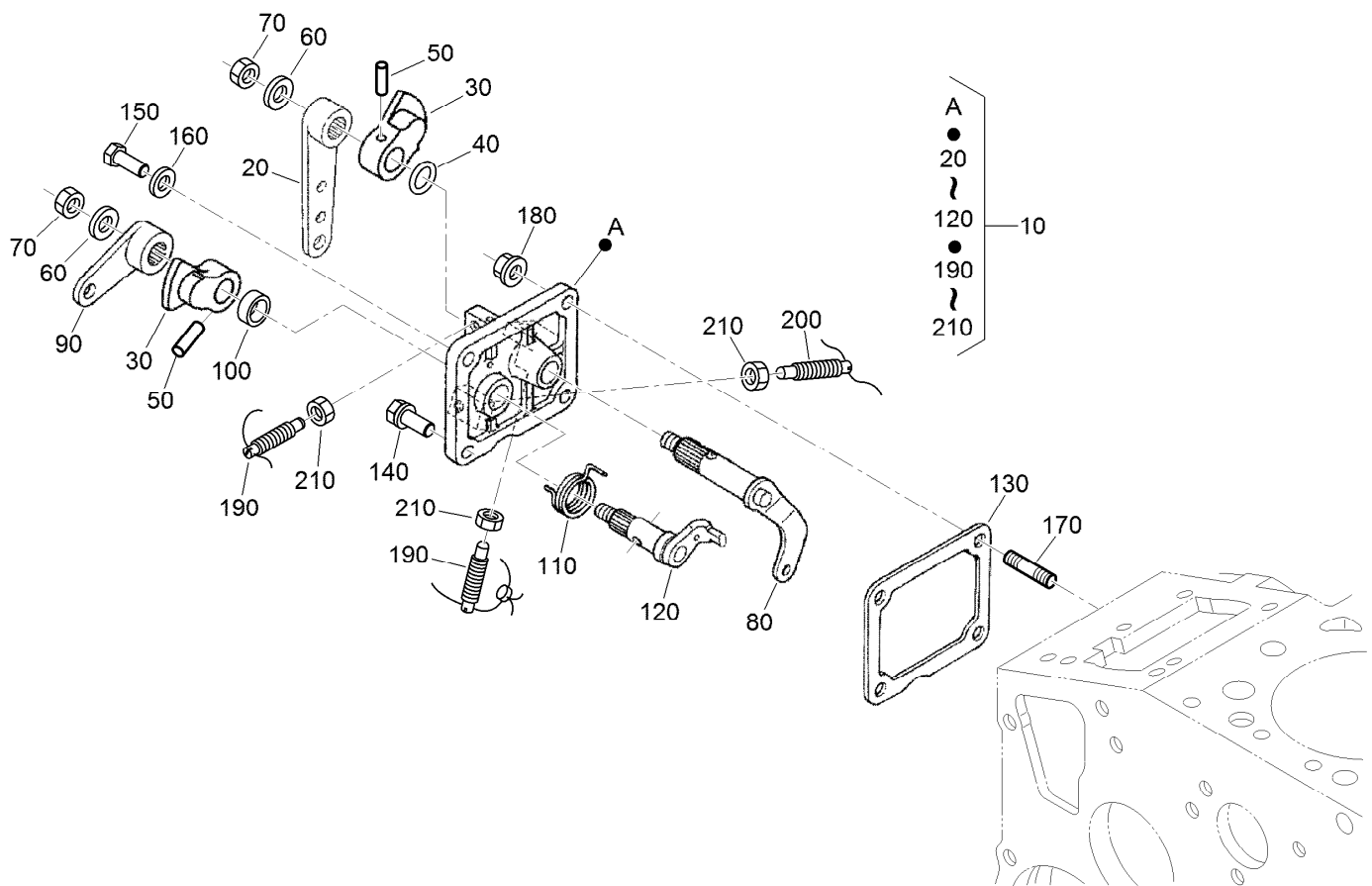
Injection Pump Assembly

<i>Ref.</i>	<i>Part Number</i>	<i>Qty.</i>	<i>Description</i>	<i>Ref.</i>	<i>Part Number</i>	<i>Qty.</i>	<i>Description</i>
10	98-9596	1	Joint-Eye	90	98-9457	1	Shim-Injection (0.25Mm)
20	98-9643	1	Injection Pump ASM	90	98-9458	1	Shim-Injection (0.30Mm)
30	98-9464	1	Bolt-Joint	90	115-3046	1	Shim-Injection (0.35Mm)
40	98-9445	2	Gasket	90	115-3045	1	Shim-Injection (0.175Mm)
50	98-9430	1	Screw	110	117-7564	2	Bolt-Hex Soc HD
60	98-9446	1	Gasket	120	98-9438	2	Stud
70	98-9466	1	Plug	130	98-9440	2	Nut-Cap
80	98-9451	1	Gasket	140	98-7699	2	Washer-Spring
90	98-9456	1	Shim-Injection (0.20Mm)				



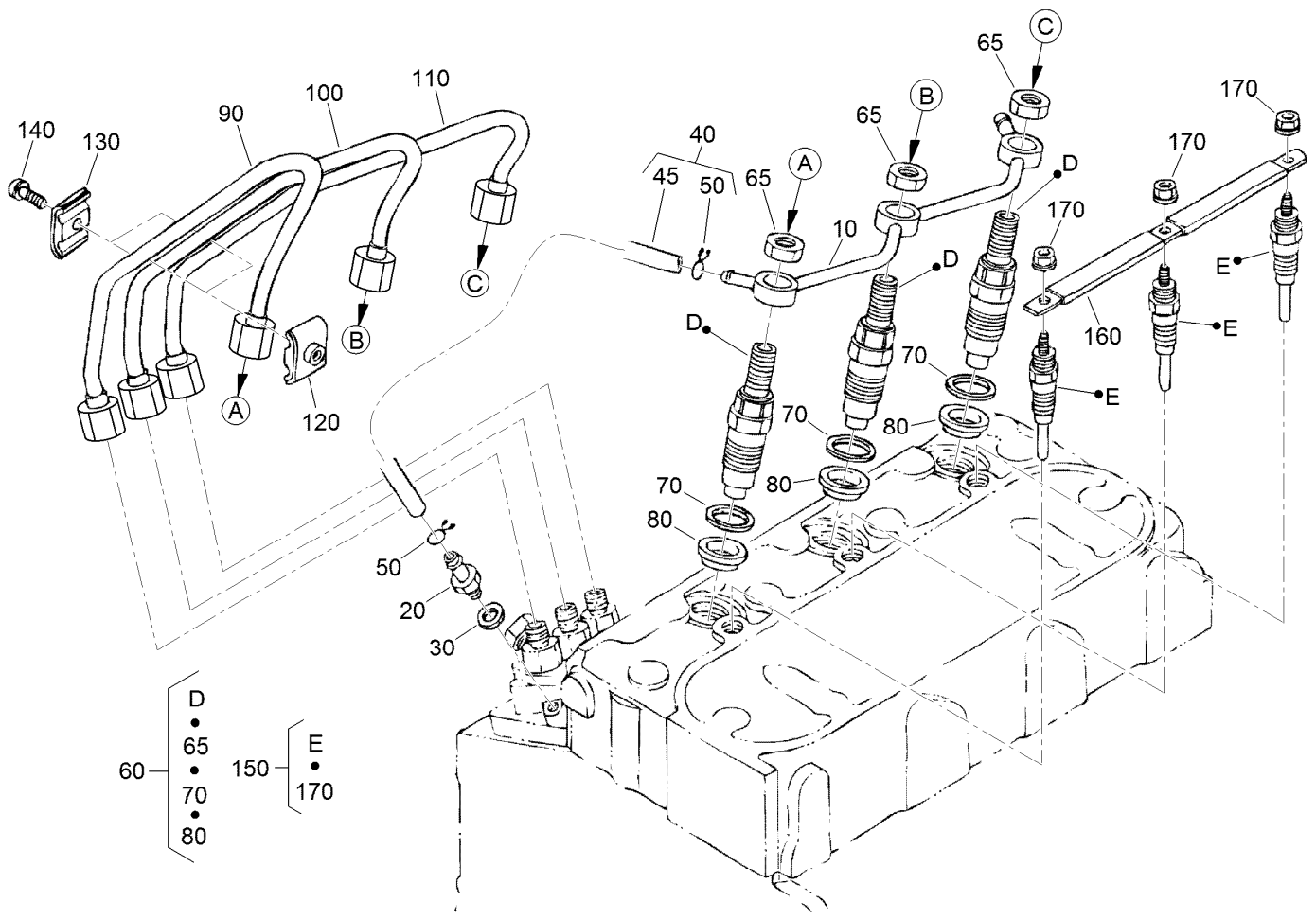
Governor Assembly

Ref.	Part Number	Qty.	Description
10	105-3786	1	Spring-Start
20	98-9681	1	Spring-Governor
30	115-4502	1	Fork Lever ASM
40	107-9084	1	Lever-Fork
50	107-9085	1	Shaft-Lever, Fork
60	107-9086	1	Shaft-Lever, Fork
70	98-9570	1	Bearing-Miniaturize
80	115-4122	1	Cover-Shaft, Fork Lever
90	98-9682	1	Gasket
100	98-9350	2	Bolt
110	98-9567	1	Collar
120	98-9571	1	Bearing-Miniaturize



Speed Control Plate Assembly

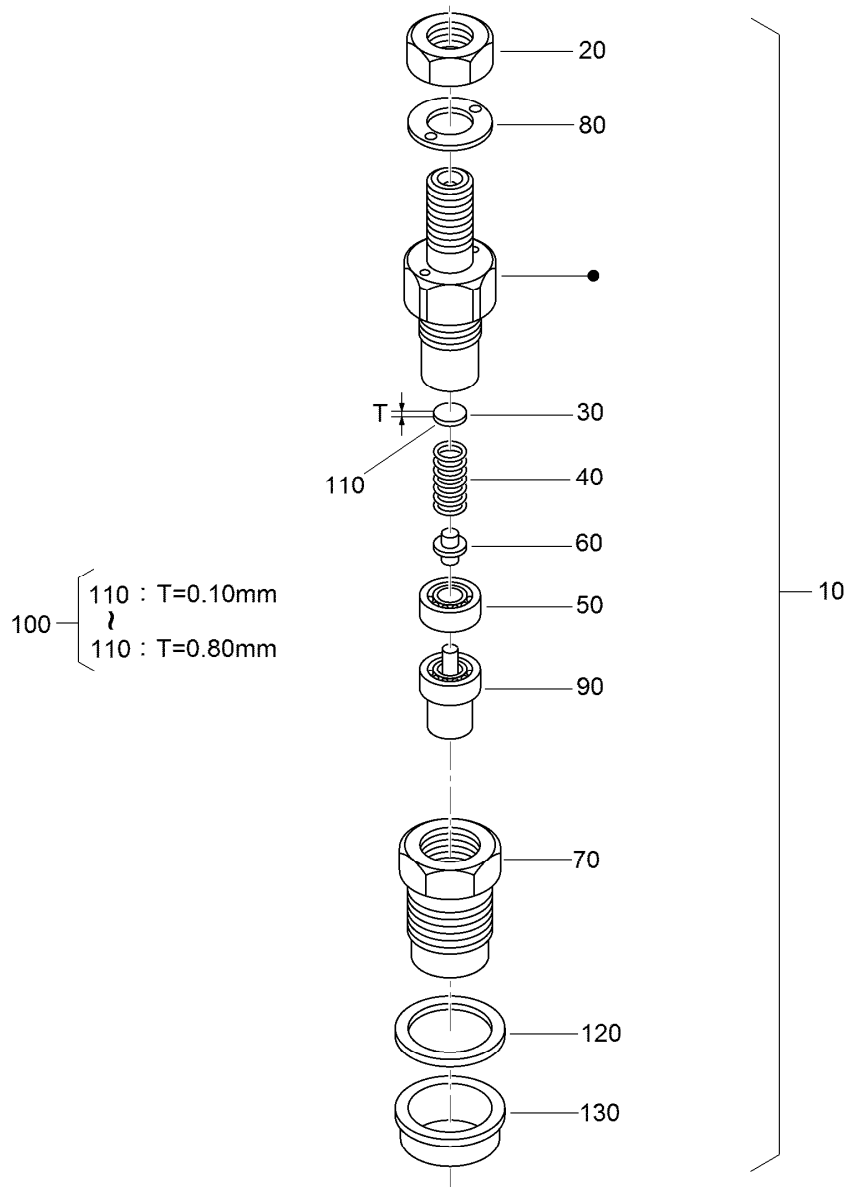
<i>Ref.</i>	<i>Part Number</i>	<i>Qty.</i>	<i>Description</i>	<i>Ref.</i>	<i>Part Number</i>	<i>Qty.</i>	<i>Description</i>
10	105-3735	1	Control Plate ASM	120	98-9664	1	Shaft-Lever, Stop
20	98-9662	1	Lever-Control, Speed	130	98-9637	1	Gasket
30	98-9572	2	Lever-Control, Speed	140	98-7692	1	Bolt
40	105-3788	1	O-Ring	150	127-0401	1	Bolt-Hex
50	98-7602	2	Pin-Spring	160	98-7654	1	Gasket
60	98-9594	2	Washer-Plain	170	105-3710	2	Stud
70	98-9589	2	Nut	180	100-2203	2	Nut-Flange
80	98-9658	1	Governor Lever ASM	190	117-7565	2	Bolt-Adjusting
90	98-9663	1	Lever-Stop, Engine	200	117-7566	1	Bolt-Adjusting
100	98-7601	1	Seal-Oil	210	98-7572	3	Nut
110	98-9472	1	Spring-Return				



Nozzle Holder and Glow Plug Assembly

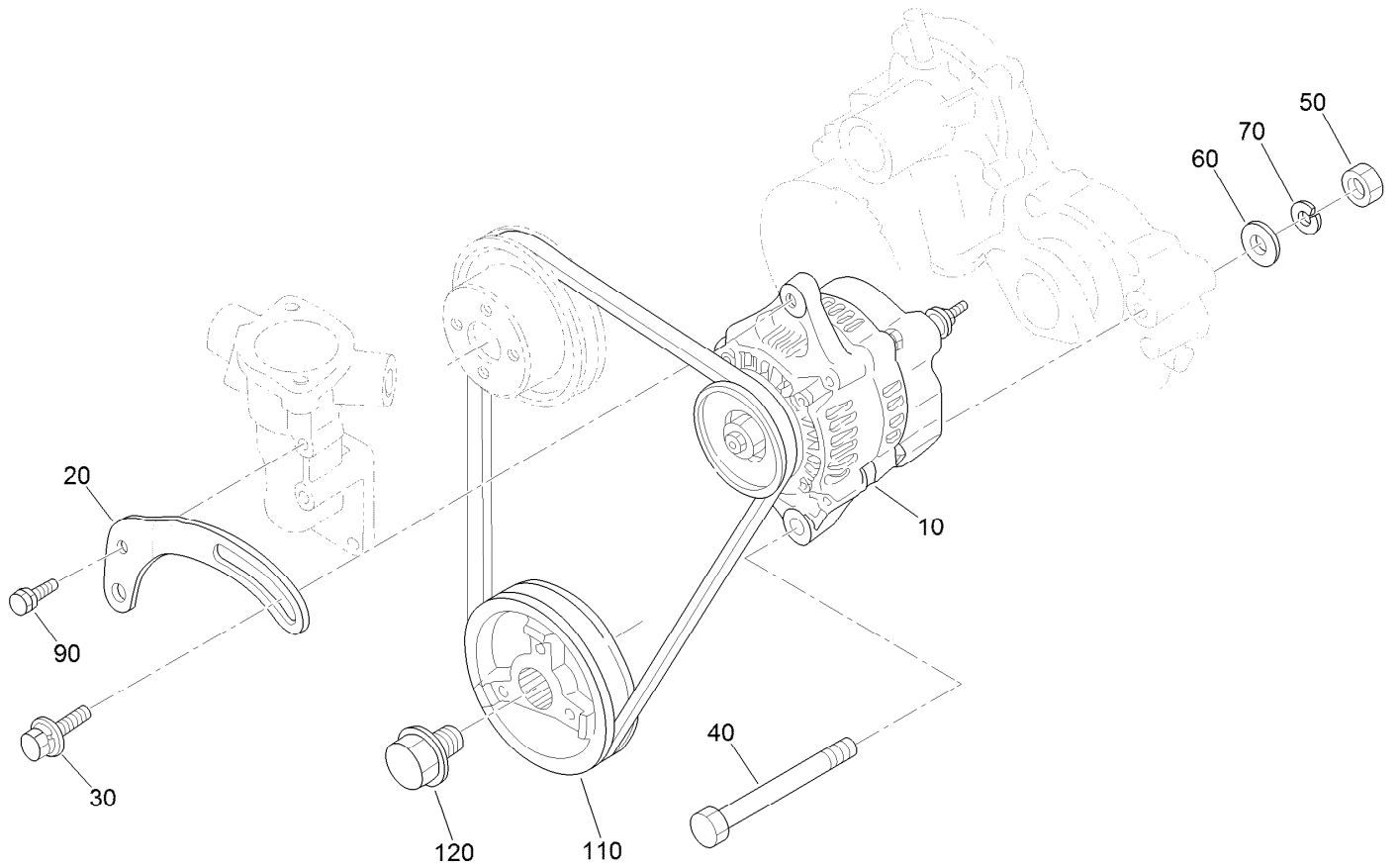
<i>Ref.</i>	<i>Part Number</i>	<i>Qty.</i>	<i>Description</i>
10	98-9620	1	Overflow Pipe ASM
20	98-9431	1	Screw-Bleeder, Air
30	98-7654	1	Gasket
40	98-9420	1	Overflow Pipe ASM
45	112-0182	1	Pipe-Overflow
50	98-7671	2	Clip-Pipe
60	115-3018	3	Nozzle Holder Kit
65	121-2411	3	Nut
70	98-7676	3	Gasket
80	98-7677	3	Seal-Heat

<i>Ref.</i>	<i>Part Number</i>	<i>Qty.</i>	<i>Description</i>
90	98-9653	1	Pipe-Injection
100	98-9654	1	Pipe-Injection
110	98-9655	1	Pipe-Injection
120	98-7682	2	Clamp-Pipe
130	98-7683	2	Clamp-Pipe
140	98-7684	2	Screw (W/Washer)
150	130-1411	3	Plug-Glow
160	98-9631	1	Cord-Plug, Glow
170	99-8377	3	Nut-Flange



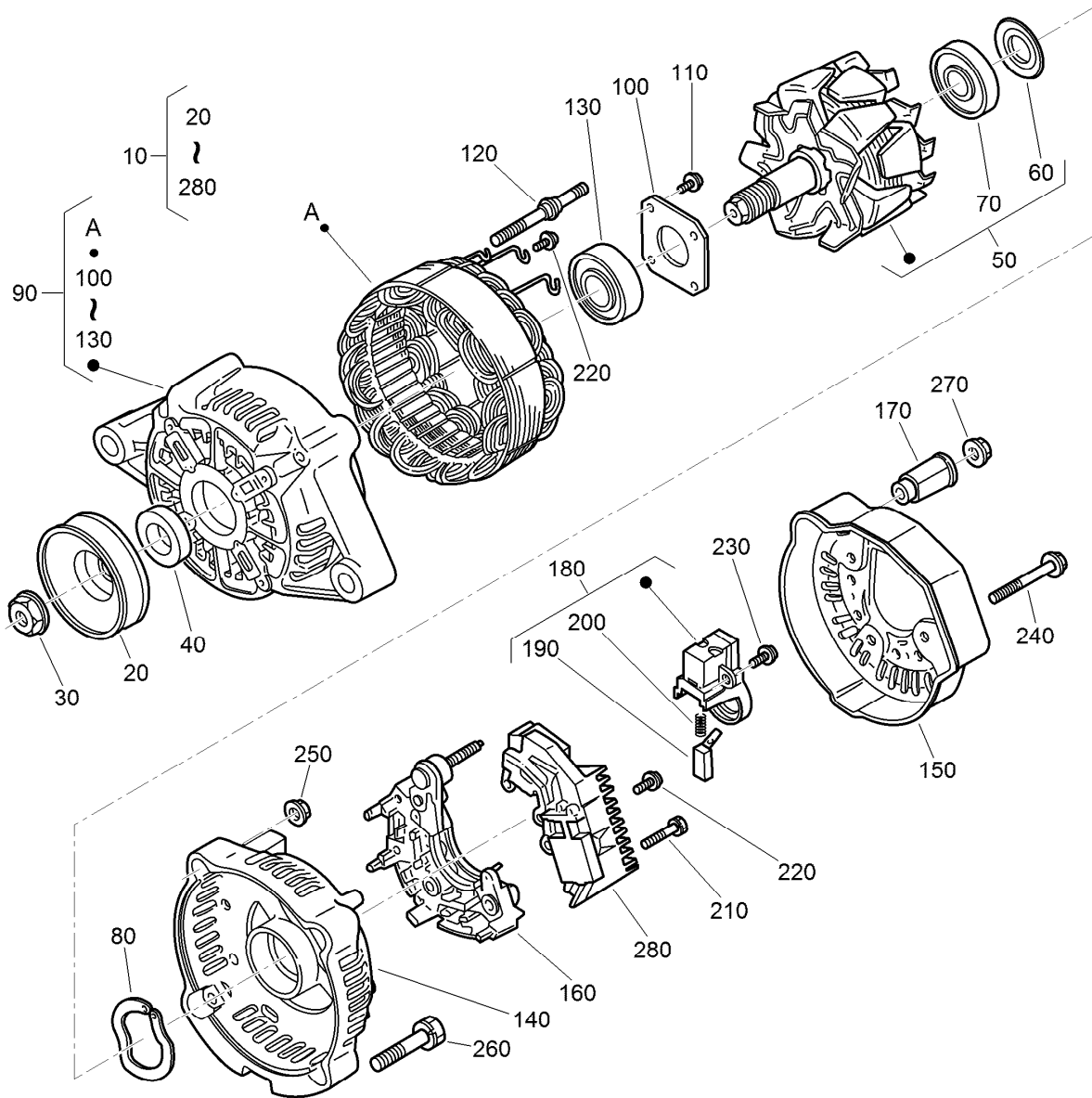
Nozzle Holder Assembly

Ref.	Part Number	Qty.	Description	Ref.	Part Number	Qty.	Description
10	115-3018	3	Nozzle Holder Kit	110	99-8310	3	Washer-Adjust (0.10Mm)
20	121-2411	3	Nut	110	99-8311	3	Washer-Adjust (0.20Mm)
30	99-8302	3	Washer-Adjusting	110	99-8312	3	Washer-Adjust (0.30Mm)
40	99-8303	3	Spring-Nozzle	110	99-8313	3	Washer-Adjust (0.40Mm)
50	99-8304	3	Spacer-Distance	110	99-8314	3	Washer-Adjust (0.50Mm)
60	99-8305	3	Rod-Push	110	99-8315	3	Washer-Adjust (0.52Mm)
70	99-8306	3	Nut-Nozzle	110	99-8316	3	Washer-Adjust (0.54Mm)
80	99-8307	3	Washer-Plain	110	99-8318	3	Washer-Adjust (0.58Mm)
90	115-3020	3	Piece-Nozzle	110	99-8319	3	Washer-Adjust (0.80Mm)
100	99-8309	3	Adjusting Washer ASM	120	98-7676	3	Gasket
100	99-8317	3	Washer-Adjust (0.56Mm)	130	98-7677	3	Seal-Heat



Alternator and Pulley Assembly

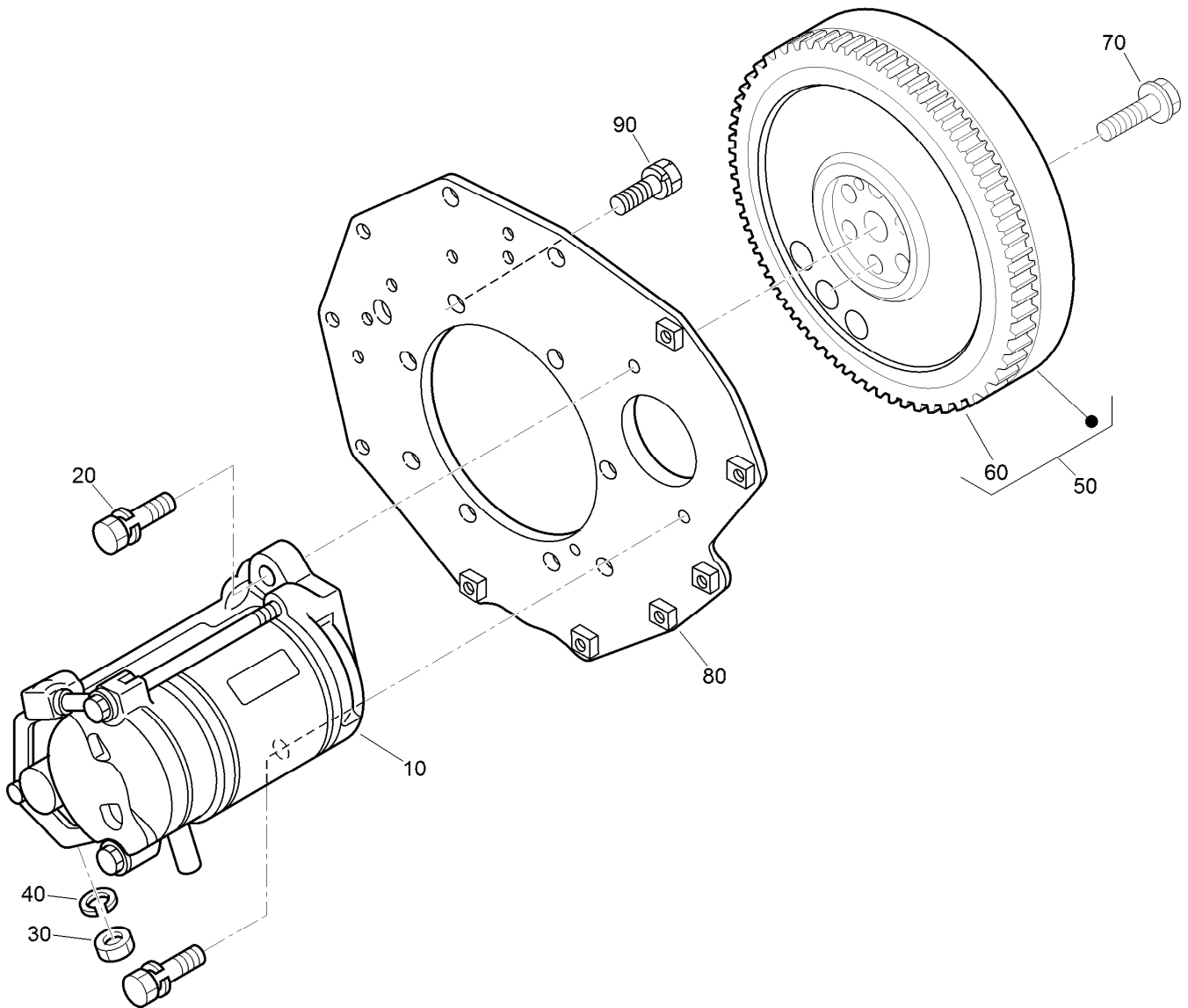
Ref.	Part Number	Qty.	Description
10	131-6557	1	Alternator ASM
20	112-7047	1	Stay-Dynamo
30	108-7088	1	Bolt
40	98-9360	1	Bolt
50	98-7737	1	Nut
60	98-9366	1	Washer-Plain
70	98-7738	1	Washer-Spring
90	98-7692	1	Bolt
110	98-9473	1	Pulley-Drive, Fan
120	98-9585	1	Bolt



Alternator Components Assembly

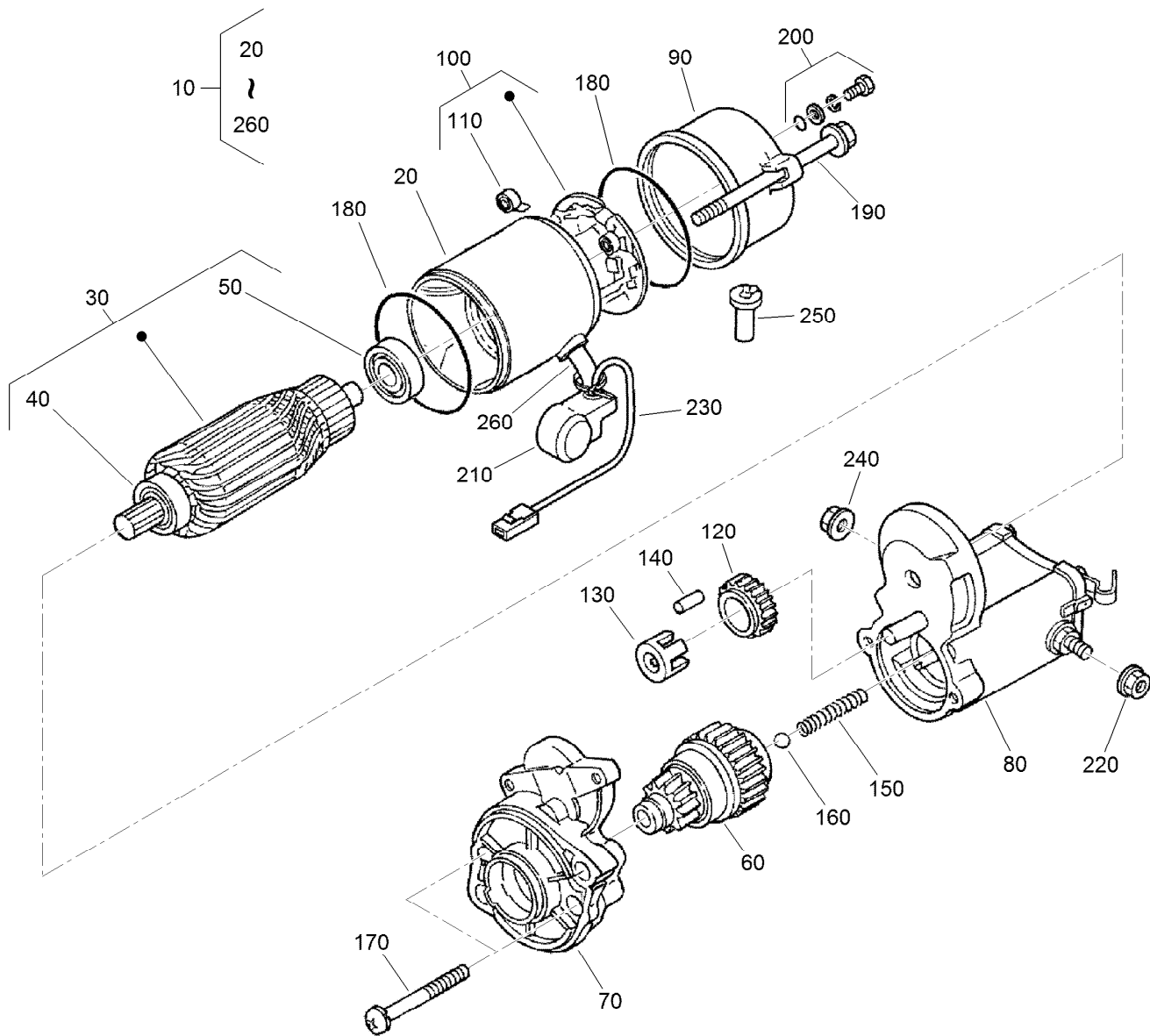
Ref.	Part Number	Qty.	Description
10	131-6557	1	Alternator ASM
20	98-9453	1	Pulley-Dynamo
30	98-7708	1	Nut
40	98-7709	1	Collar
50	107-0136	1	Rotor ASM
60	98-7711	1	Cover-Bearing
70	107-0138	1	Bearing-Ball
80	98-7713	1	Washer-Thrust
90	107-0139	1	Drive End Frame ASM
100	98-7715	1	Plate-Retainer
110	98-7716	4	Screw-Head, Round
120	98-7717	2	Bolt-Through
130	133-2811	1	Bearing
140	107-9087	1	Frame-End

Ref.	Part Number	Qty.	Description
150	107-0140	1	Cover-End
160	127-1612	1	Rectifier ASM
170	98-7722	1	Bushing-Insulation
180	107-0141	1	Brush Holder ASM
190	98-7724	2	Brush
200	98-7725	2	Spring-Brush
210	98-7726	2	Screw-Head, Round
220	98-7727	6	Screw-Head, Round
230	98-7728	1	Screw-Head, Round
240	98-7729	3	Bolt
250	98-7730	2	Nut
260	98-7731	2	Bolt
270	98-7732	1	Nut
280	110-3799	1	Regulator ASM



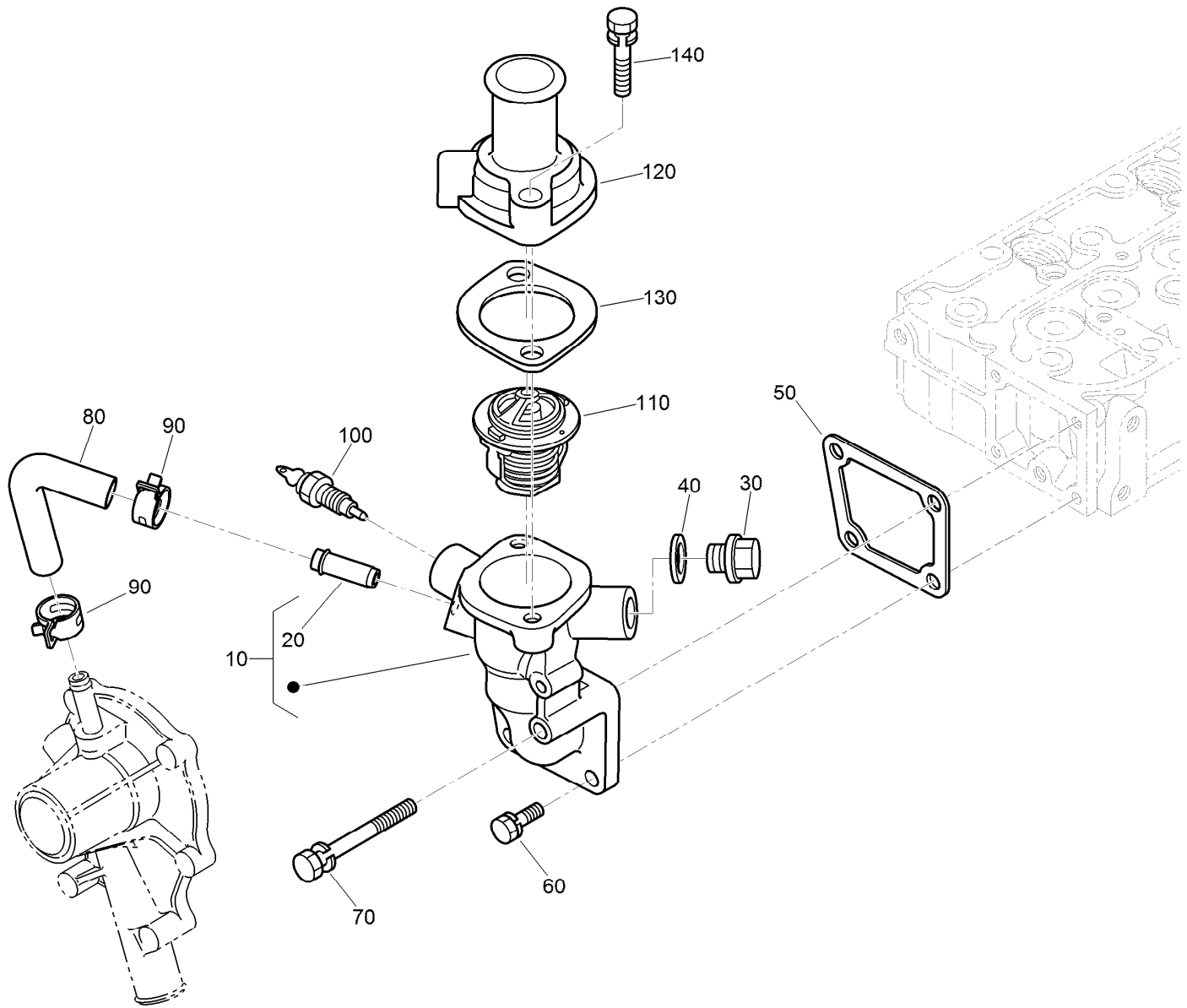
Starter and Flywheel Assembly

Ref.	Part Number	Qty.	Description
10	98-9705	1	Starter ASM
20	98-7697	2	Bolt
30	98-7739	1	Nut
40	105-2893	1	Washer-Spring
50	105-3784	1	Flywheel ASM
60	115-3015	1	Gear-Ring
70	98-9537	6	Bolt-Flywheel
80	98-9486	1	Plate-End, Rear
90	98-9392	8	Bolt



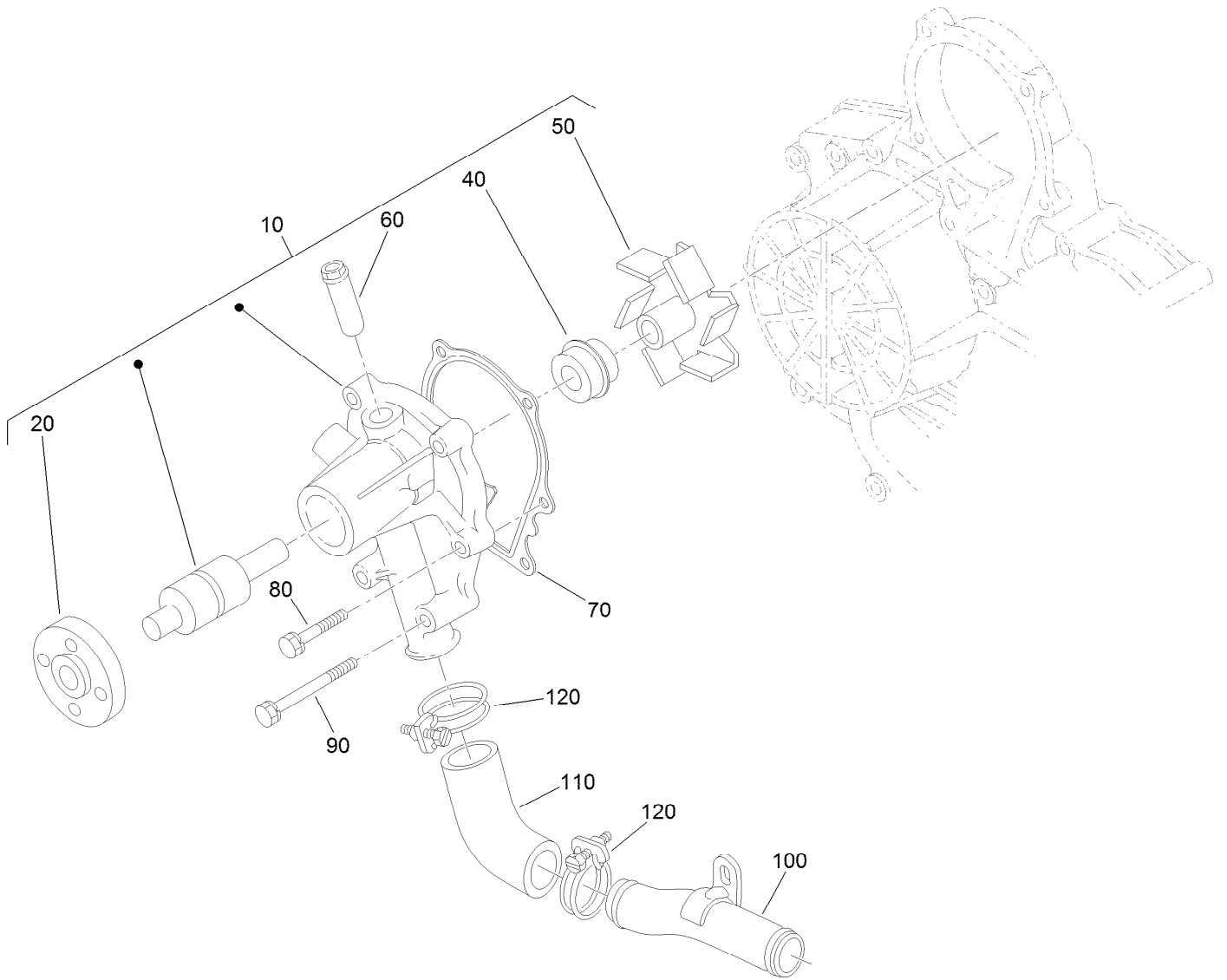
Starter Component Assembly

Ref.	Part Number	Qty.	Description	Ref.	Part Number	Qty.	Description
10	98-9705	1	Starter ASM	140	98-7753	5	Roller
20	104-8608	1	Yoke ASM	150	98-7754	1	Spring
30	98-7742	1	Armature ASM	160	98-7755	1	Ball
40	98-7744	1	Bearing	170	98-7756	2	Bolt
50	98-7743	1	Bearing	180	98-7757	2	O-Ring
60	99-8373	1	Clutch-Running, Over	190	100-9240	2	Bolt
70	99-8374	1	Frame-End, Drive	200	98-7758	2	Bolt ASM
80	105-3746	1	Magnetic Switch ASM	210	99-8375	1	Cover
90	98-7748	1	Frame-End	220	99-8371	1	Nut-Hex
100	98-7749	1	Brush Holder ASM	230	98-9711	1	Cord-Solenoid, Stop
110	98-7750	4	Spring-Brush	240	99-8376	1	Nut-Hex
120	98-7751	1	Gear	250	98-7759	1	Pipe-Drain
130	98-7752	1	Retainer	260	98-9712	1	Band-Cover



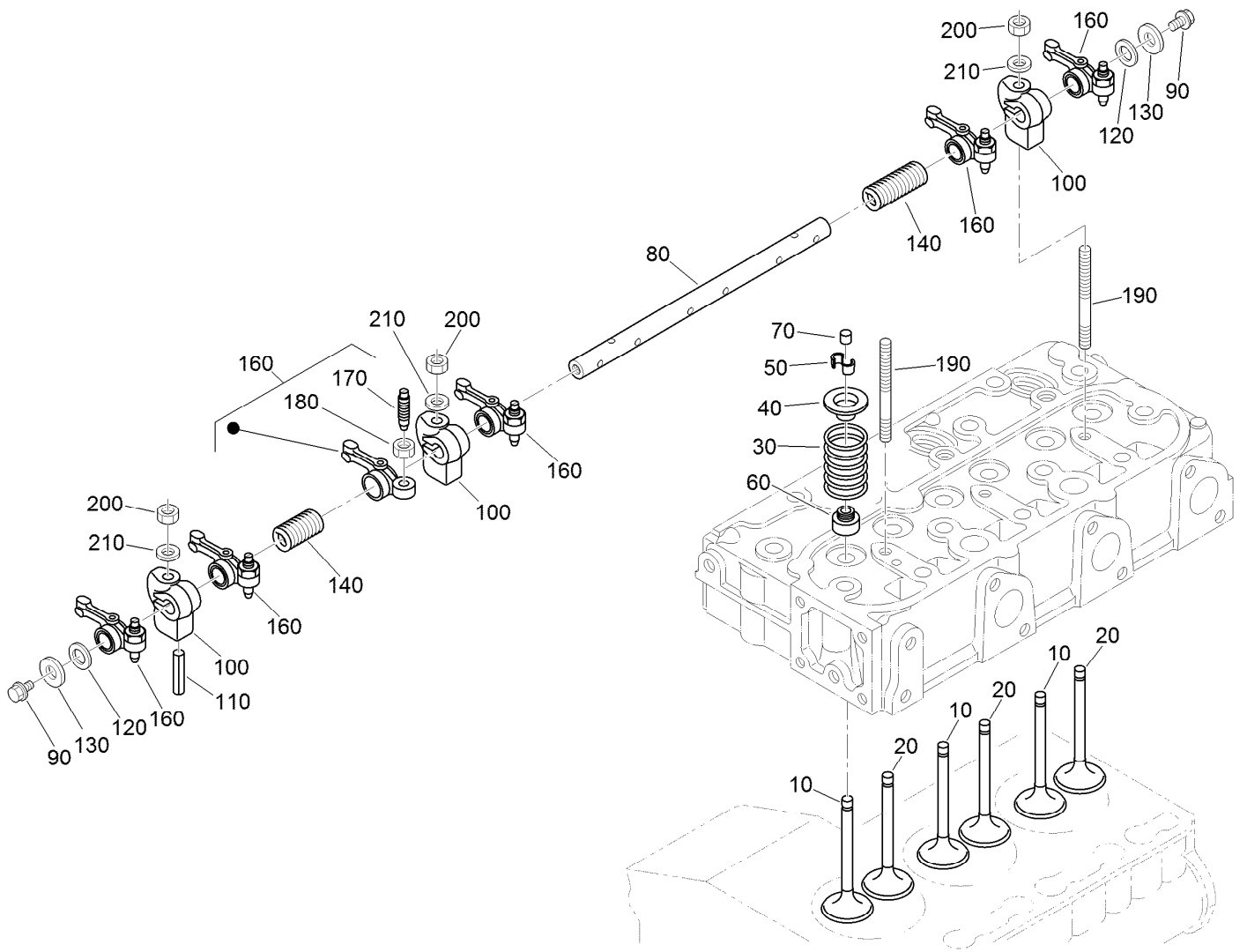
Water Flange and Thermostat Assembly

<i>Ref.</i>	<i>Part Number</i>	<i>Qty.</i>	<i>Description</i>
10	98-9713	1	Water Flange ASM
20	98-9580	1	Pipe-Return, Water
30	105-3747	1	Plug
40	99-3583	1	Gasket
50	98-9638	1	Gasket-Flange, Water
60	98-7692	3	Bolt
70	98-9356	1	Bolt
80	98-9578	1	Pipe-Return, Water
90	125-9078	2	Clamp-Hose
100	98-9719	1	Thermoswitch
110	98-7778	1	Thermostat ASM
120	98-9471	1	Cover-Thermostat
130	105-3748	1	Gasket-Thermostat
140	98-7777	2	Bolt



Water Pump Assembly

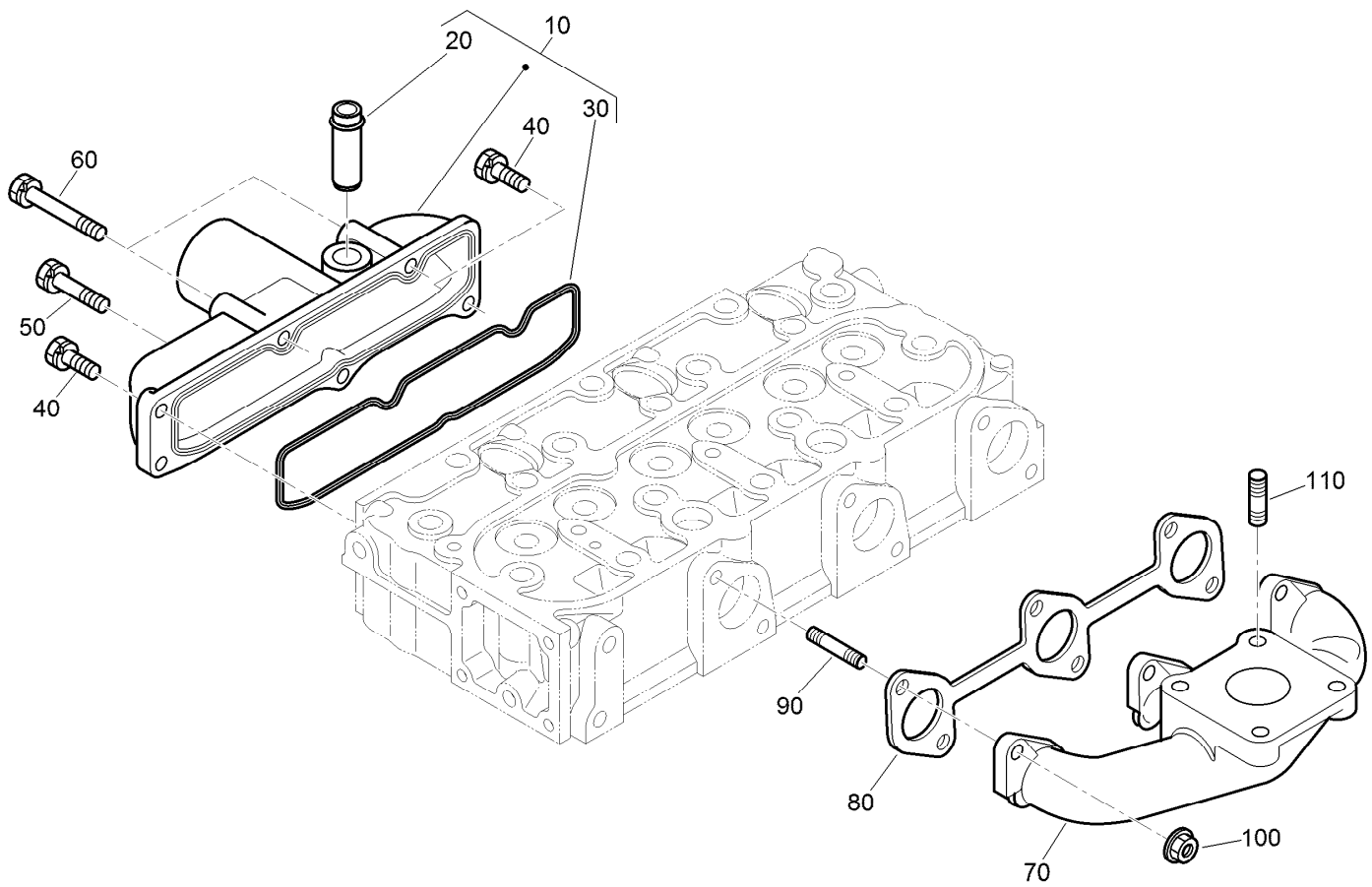
Ref.	Part Number	Qty.	Description
10	107-9089	1	Water Pump ASM
20	99-3516	1	Flange-Pump, Water
40	105-3750	1	Mechanical Seal ASM
50	112-7017	1	Impeller-Pump, Water
60	100-1932	1	Pipe-Return, Water
70	99-3454	1	Gasket-Pump, Water
80	98-9353	4	Bolt
90	107-9090	2	Bolt
100	98-9716	1	Pipe-Water
110	107-9091	1	Pipe-Water
120	127-0439	2	Clamp-Hose



Valve and Rocker Arm Assembly

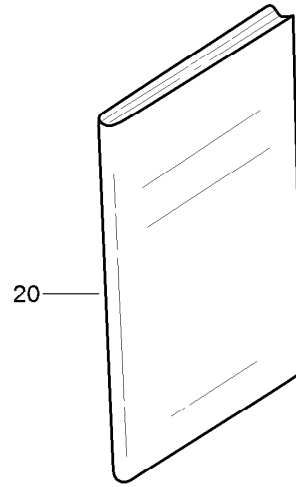
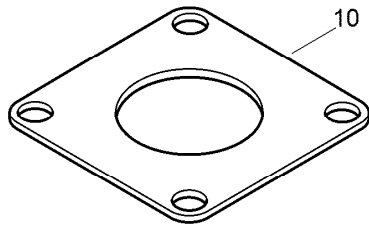
Ref.	Part Number	Qty.	Description
10	112-7018	3	Valve-Inlet
20	120-2564	3	Valve-Exhaust
30	98-9648	6	Spring-Valve
40	107-9092	6	Retainer-Spring
50	117-7572	6	Collet-Spring, Valve
60	99-8385	6	Seal-Stem, Valve
70	98-9497	6	Cap-Valve
80	130-1248	1	Shaft-Arm, Rocker
90	99-8363	2	Bolt-Flange
100	98-9505	3	Bracket-Arm, Rocker

Ref.	Part Number	Qty.	Description
110	105-3758	1	Pin-Spring
120	98-9507	2	Washer-Shaft, Rocker Arm
130	110-3832	2	Washer-Plain
140	98-9504	2	Spring-Arm, Rocker
160	112-7020	6	Rocker Arm ASM
170	98-9502	6	Screw-Adjusting
180	98-9503	6	Nut
190	98-9506	3	Stud
200	98-9393	3	Nut
210	98-9385	3	Washer-Flat



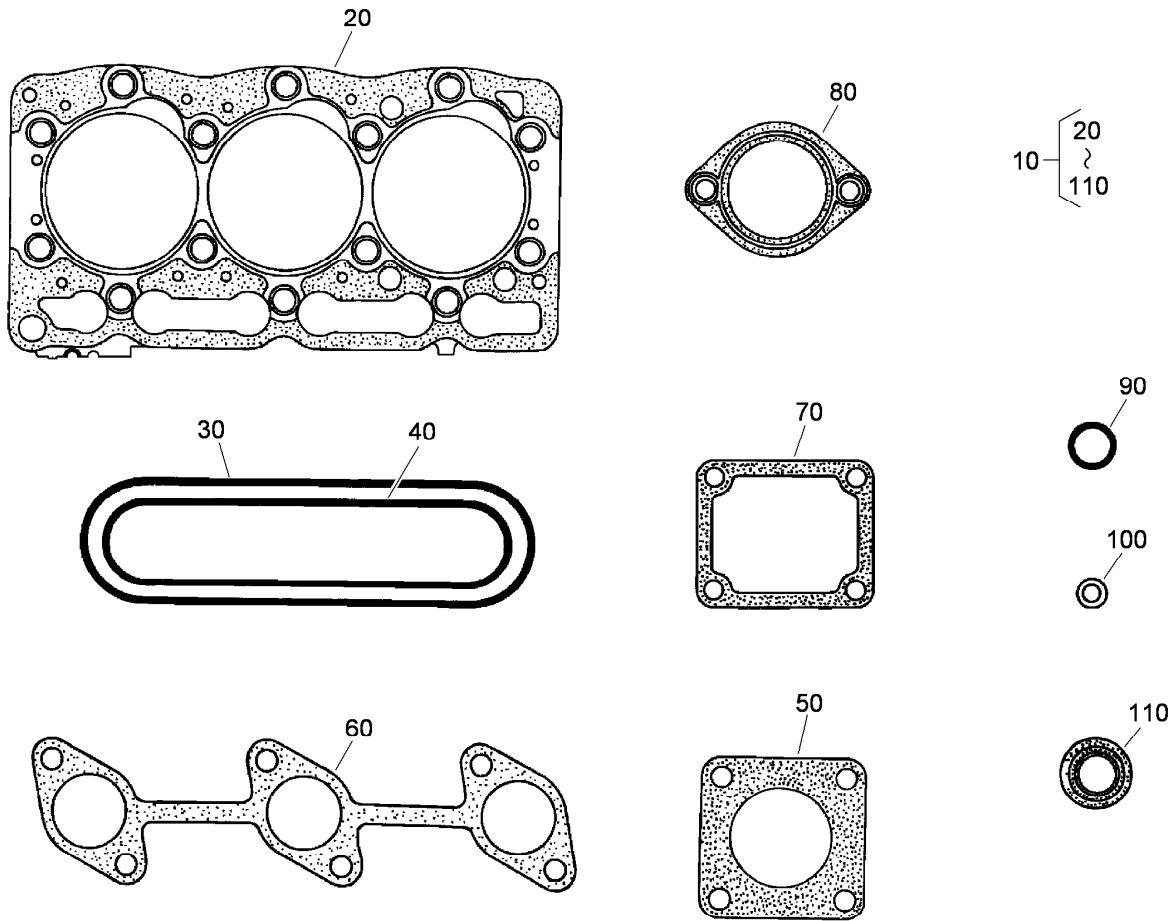
Inlet and Exhaust Manifold Assembly

<i>Ref.</i>	<i>Part Number</i>	<i>Qty.</i>	<i>Description</i>
10	108-6577	1	Inlet Manifold ASM
20	98-9492	1	Joint-Pipe, Breather
30	98-9609	1	Gasket-Manifold, Inlet
40	127-0403	3	Bolt-Flange
50	98-9353	1	Bolt
60	125-9063	2	Bolt-Sems
70	107-9093	1	Manifold-Exhaust
80	99-8327	1	Gasket-Manifold, Exhaust
90	98-9588	6	Stud
100	98-9665	6	Nut
110	98-7769	4	Stud



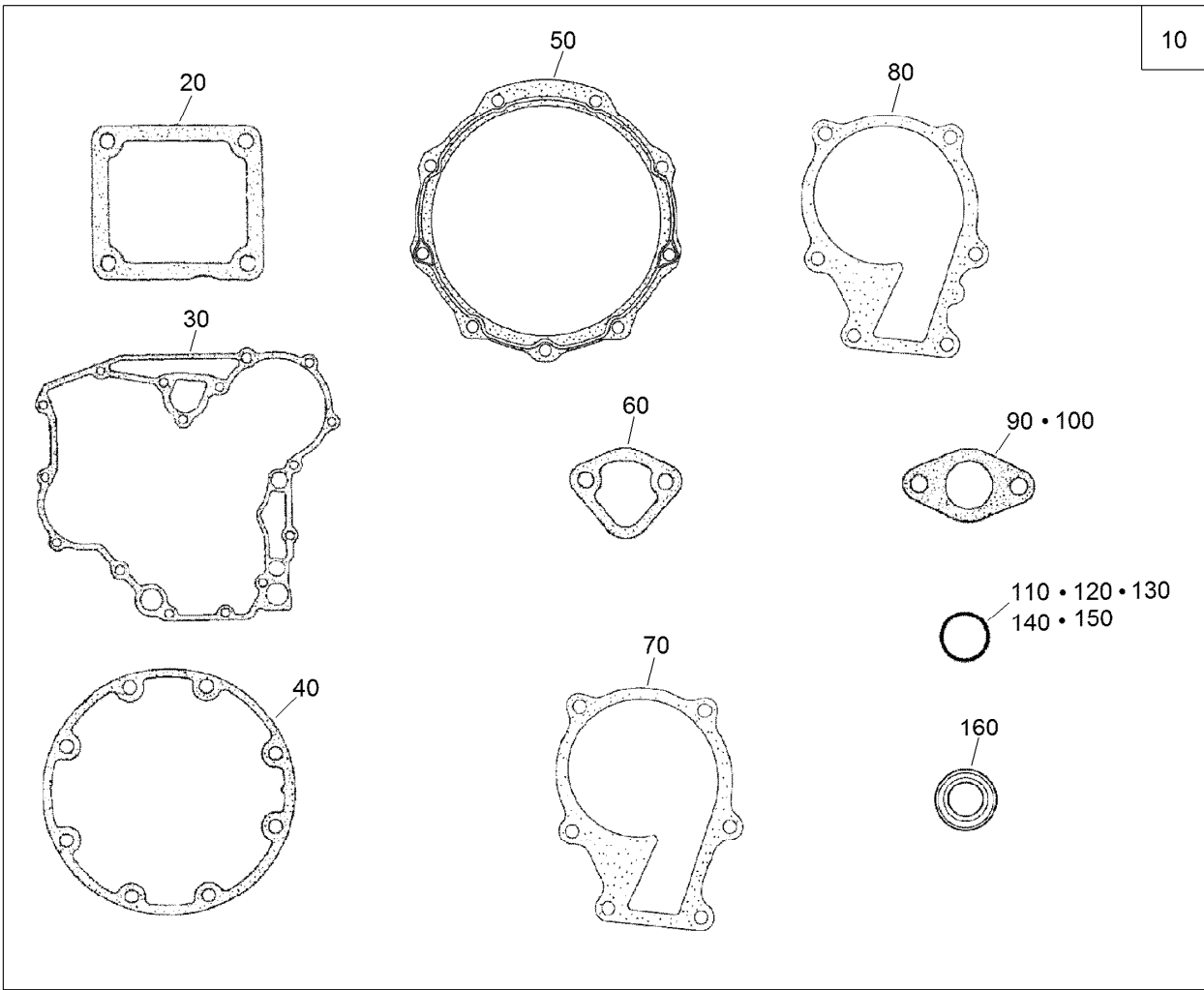
Miscellaneous Engine Parts

<i>Ref.</i>	<i>Part Number</i>	<i>Qty.</i>	<i>Description</i>
10	99-8343	1	Gasket-Muffler
20	130-1543	1	Manual-Operator



Upper Gasket Kit

<i>Ref.</i>	<i>Part Number</i>	<i>Qty.</i>	<i>Description</i>
10	107-7848	1	Upper Gasket Kit
20	108-6573	1	Gasket-Head, Cylinder
30	98-9615	1	Gasket-Cover, Head
40	98-9609	1	Gasket-Manifold, Inlet
50	99-8343	1	Gasket-Muffler
60	99-8327	1	Gasket-Manifold, Exhaust
70	98-9638	1	Gasket-Flange, Water
80	105-3748	1	Gasket-Thermostat
90	99-3446	2	O-Ring
100	98-9454	3	Gasket
110	99-8385	6	Seal-Stem, Valve



Lower Engine Gasket Kit

<i>Ref.</i>	<i>Part Number</i>	<i>Qty.</i>	<i>Description</i>
10	130-1364	1	Lower Gasket Kit
20	98-9637	1	Gasket
30	98-9633	1	Gasket-Case, Gear
40	131-6554	1	Gasket-Case, Bearing
50	112-7037	1	Gasket-Cover, Case
60	117-7562	1	Gasket-Pump, Fuel
70	98-9632	1	Gasket-Pump, Water
80	99-3454	1	Gasket-Pump, Water

<i>Ref.</i>	<i>Part Number</i>	<i>Qty.</i>	<i>Description</i>
90	98-9682	1	Gasket
100	98-9683	1	Gasket-Cover, Solenoid
110	105-3781	2	O-Ring
120	105-3777	2	O-Ring
130	105-3783	1	O-Ring
140	105-3776	1	O-Ring
150	105-3788	1	O-Ring
160	98-7601	1	Seal-Oil

Attachments and Accessories

For 30345 Groundsmaster 3280-D 4-Wheel Drive Traction Unit

Product Name	Model/Part
52 Inch Side Discharge Mower	30555
60 Inch Side Discharge Mower	30366
62 Inch Base Mower	30403
62 Inch Side Discharge Deck.....	30551
72 Inch Side Discharge Mower	30368
72 Inch Base Mower	30404
62 Inch Blower Kit.....	30506
Debris Blower	30823
48in V-Plow.....	30750
V-Plow Mounting Kit.....	115-4917
Tire Chains	82531
15 Cubic Foot Bagger Kit.....	30356
52 Inch Blower Kit.....	30502
60 Inch Blower Kit.....	30357
Mechanical Seat Suspension Kit	30312
Pneumatic Seat Suspension Kit.....	30313
Standard Seat Kit.....	30398
Arm Rest Kit.....	30707
Premium All Purpose Grease (Tube)	108-1190
Armrest Adapter Kit	108-9687
Wheel and Tire Assembly	119-2864
Premium Engine Oil 10w30 (55 Gal).....	121-6392
Premium Engine Oil 10w30 (5 Gallon Pail)	121-6393
Tire	69-9880
Wheel Weight Kit	11-0440
5in Air Cleaner Safety Element	114-4057
Rear Weight Kit.....	24-5780
Cab Kit.....	30298
65 lb. Weight Kit	108-9682
400-Hour Filter Maintenance Kit	30051
Auxiliary Valve Kit	120-6640
Auxiliary Power Unit.....	30382
Implement Flow Control Kit.....	110-5699
Premium All Season Gear Lube (5 Gallon Pail)	108-1187
Premium All Season Gear Lube (Quart)	108-1590
Premium Engine Oil 15w40 (55 Gallon Drum)	121-6394
Premium Engine Oil 15w40 (5 Gallon Pail)	121-6395
Wheel	119-2863
Tire	231-95
Hardtop Sunshade.....	30359
Bimini Sunshade for 2-Post Roll-Over Protection System	30358
Rear Axle Skid Plate Kit.....	110-9694
Blower Drive and Mounting Kit.....	110-8539
Drive Shaft Kit.....	92-9075
Attachment Frame Kit.....	110-8540
Snowthrower Drive and Mounting Kit.....	114-4140

Attachments and Accessories (continued)

Mounting Kit (for Model 30823).....	115-4929
Model 2670 Debris Blower Mounting Kit (2XX)	115-4932
Model 2670 Debris Blower Mounting Kit (3XX)	115-4935
Weight-Wheel	77-6700
Auxiliary Valve Kit	120-6590
CE Kit	31204
Castor Wrench.....	121-3874
Spark Arrestor Screen	75-6880
Premium Transmission/Hydraulic Tractor Fluid (5 Gallon Pail)	108-1184
Premium Transmission/Hydraulic Tractor Fluid (55 Gallon Drum).....	108-1183



Count on it.