



Count on it.

Parts Catalog

**Z Master® Professional 7000
Series Riding Mower**

**With 72in TURBO FORCE® Side Discharge
Mower**

Model No. 74274—Serial No. 403319661 and Up



Ordering Replacement Parts

To order replacement parts, please supply the part number, the quantity, and the description of each part desired.

Understanding Reference Numbers

Each identified part in an illustration has a reference number. The reference number for a part also appears in the parts list, along with other information about the part.

This catalog uses two special reference number formats, one to indicate parts in a service assembly and another to indicate the quantity of a given part in an illustration.

Service Assembly Reference Numbers

Parts in service assemblies have reference numbers in the form a:b. The a represents the reference number of the entire service assembly and the b represents a sequential number unique to each part within the service assembly.

For example, a wheel assembly might be identified by reference number 6, the tire by 6:1, the valve by 6:2, and the wheel by 6:3. When you order the assembly identified by reference number 6, you receive all parts identified by reference numbers 6:1, 6:2, and 6:3. However, you may also order any part individually. Reference numbers of this type appear in illustration and in parts lists.

Reference Numbers Indicating Quantity

In an illustration, if a reference number indicates more than one part, the reference number has the form nX y. The n represents the quantity of the part, the X is the multiplication symbol, and the y represents the reference number.

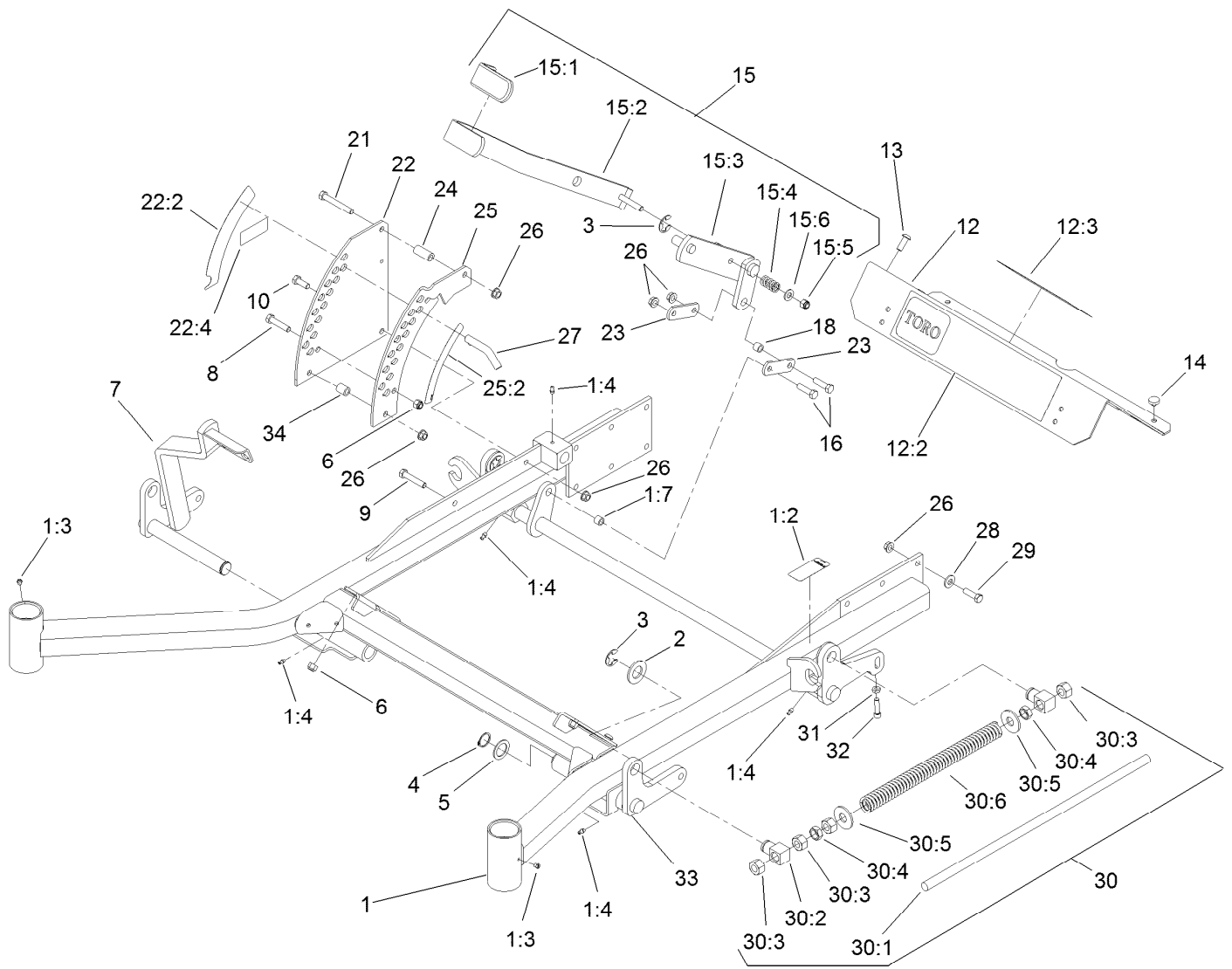
For example, in an illustration, the reference number 2X 37 means that two of the parts identified by reference number 37 are indicated.

Contents

| | |
|---|----|
| Front Frame Assembly | 5 |
| Fork and Caster Wheel Assembly | 7 |
| Traction Frame and Floor Pan Assembly | 8 |
| Seat and Roll-Over Protection System Assembly | 9 |
| Seat Assembly No. 125-3107 | 10 |
| Roll-Over Protection System Assembly No. 117-3866 | 11 |
| Main Frame and Rear Wheel Assembly | 12 |
| Hydro Control Assembly | 14 |
| Engine, Exhaust and Air Intake Assembly | 15 |
| Air Cleaner Assembly No. 93-2190 | 16 |
| Hydro and Gearbox Assembly | 17 |
| Gearbox Assembly No. 107-9887 | 19 |
| Hydraulic Tank, Pump and Motor Assembly | 20 |
| Tandem Pump Assembly No. 107-9885 | 22 |
| Hydraulic Motor Assembly No. 112-8358 (CW) | 23 |
| Hydraulic Motor Assembly No. 112-8357 (CCW) | 24 |
| Hydraulic Hose Assembly | 25 |
| Fuel System and Throttle Control Assembly | 26 |
| Fuel Line Assembly | 28 |
| Engine Housing Assembly | 29 |
| Cooling System Assembly | 30 |
| Hood Assembly | 31 |
| Deck Connection Assembly | 32 |
| Deck Assembly | 33 |
| Spindle Assembly No. 127-0560 | 35 |
| Deck Decal Assembly No. 114-4483 | 36 |
| Rubber Deflector Assembly No. 108-2792 | 37 |
| Electrical Assembly | 38 |
| Crankcase Assembly | 40 |
| Oil Pan, Oil Pump and Dipstick Assembly | 41 |
| Cylinder Head Assembly | 42 |
| Gear Case and Oil Filter Cartridge Assembly | 43 |
| Cylinder Head Cover Assembly | 44 |
| Main Bearing Case Assembly | 45 |
| Camshaft and Idle Gear Shaft Assembly | 46 |
| Piston and Crankshaft Assembly | 47 |
| Fuel Camshaft Assembly | 48 |
| Idle Apparatus Assembly | 49 |
| Stop Solenoid and Fuel Pump Cover Assembly | 50 |
| Injection Pump Assembly | 51 |
| Governor Assembly | 52 |
| Speed Control Plate Assembly | 53 |
| Nozzle Holder Assembly | 54 |
| Nozzle Holder and Glow Plug Assembly | 56 |
| Alternator and Pulley Assembly | 57 |
| Alternator Components Assembly | 58 |
| Starter and Flywheel Assembly | 59 |
| Starter Component Assembly | 60 |
| Water Flange and Thermostat Assembly | 61 |
| Water Pump and Water Pipe Assembly | 62 |
| Valve and Rocker Arm Assembly | 63 |
| Inlet and Exhaust Manifold Assembly | 64 |
| Miscellaneous Engine Parts | 65 |
| Upper Engine Gasket Kit | 66 |

Contents (continued)

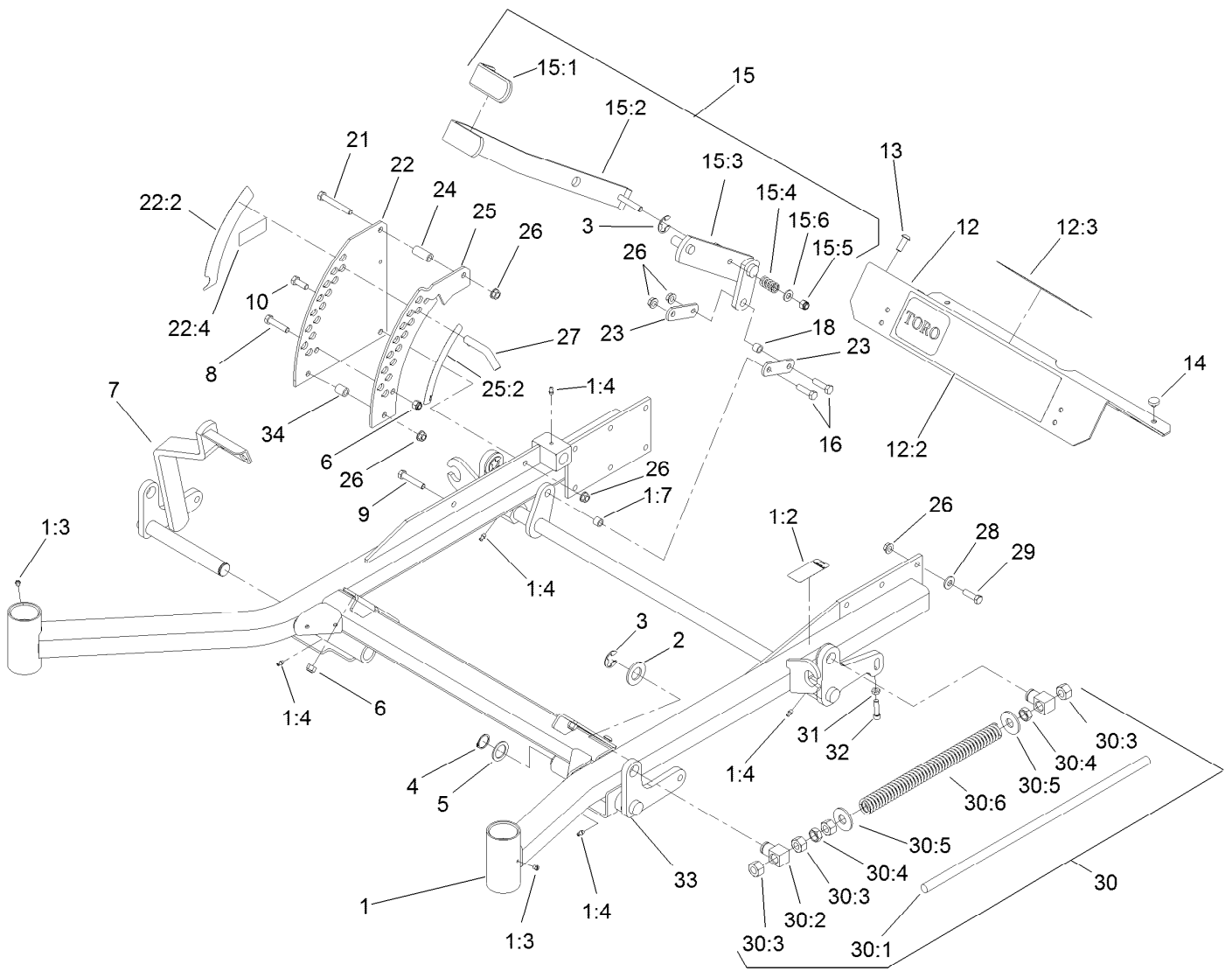
Lower Engine Gasket Kit 67
Attachments and Accessories 68



Front Frame Assembly

| Ref. | Part Number | Qty. | Description | Ref. | Part Number | Qty. | Description |
|------|-------------|------|----------------------|------|-------------|------|-----------------------|
| 1 | 114-1248 | 1 | Frame ASM | 14 | 1-513658 | 2 | Bumper |
| 1:2 | 107-3968 | 1 | Decal-Brake, Parking | 15 | 110-5860 | 1 | Deck Lift Handle ASM |
| 1:3 | 1-811010 | 2 | Plug | 15:1 | 1-633295 | 1 | Grip-Lever, Lift |
| 1:4 | 302-19 | 5 | Fitting-Grease | 15:2 | 103-2083-03 | 1 | Lever-Lift |
| 1:7 | 103-1918 | 1 | Bushing | 15:3 | 103-2064-03 | 1 | Arm-Lift, Deck |
| 2 | 3256-29 | 4 | Washer-Flat | 15:4 | 1-633325 | 1 | Spring-Compression |
| 3 | 32151-103 | 5 | Ring-Retaining, EXT | 15:5 | 3296-39 | 1 | Nut-Lock, NI |
| 4 | 32151-29 | 2 | Ring-Retaining | 15:6 | 3256-24 | 1 | Washer-Flat |
| 5 | 1-523157 | 2 | Washer-Spacer | 16 | 323-29 | 2 | Screw-HH |
| 6 | 3296-39 | 5 | Nut-Lock, NI | 18 | 103-1918 | 1 | Bushing |
| 7 | 108-7786-01 | 1 | Lift-Deck, RH Front | 21 | 323-11 | 1 | Screw-HH |
| 8 | 323-9 | 1 | Screw-HH | 22 | 117-0366 | 1 | Plate-HOC, Outer |
| 9 | 323-10 | 1 | Screw-HH | 22:2 | 107-1860 | 1 | Decal-Height, Deck |
| 10 | 323-5 | 1 | Screw-HH | 22:4 | 133-8062 | 1 | Decal-Arrestor, Spark |
| 12 | 107-3976 | 1 | Footrest | 23 | 1-633068 | 2 | Arm-Lift, Deck |
| 12:2 | 136-5521 | 1 | Decal | 24 | 1-633082 | 1 | Bushing-Lever, Lift |
| 12:3 | 132-0871 | 1 | Decal-Danger | 25 | 117-0369 | 1 | Plate-HOC, Inner |
| 13 | 3274-94 | 4 | Screw-HSBH | 25:2 | 107-1861 | 1 | Decal-Height, Deck |

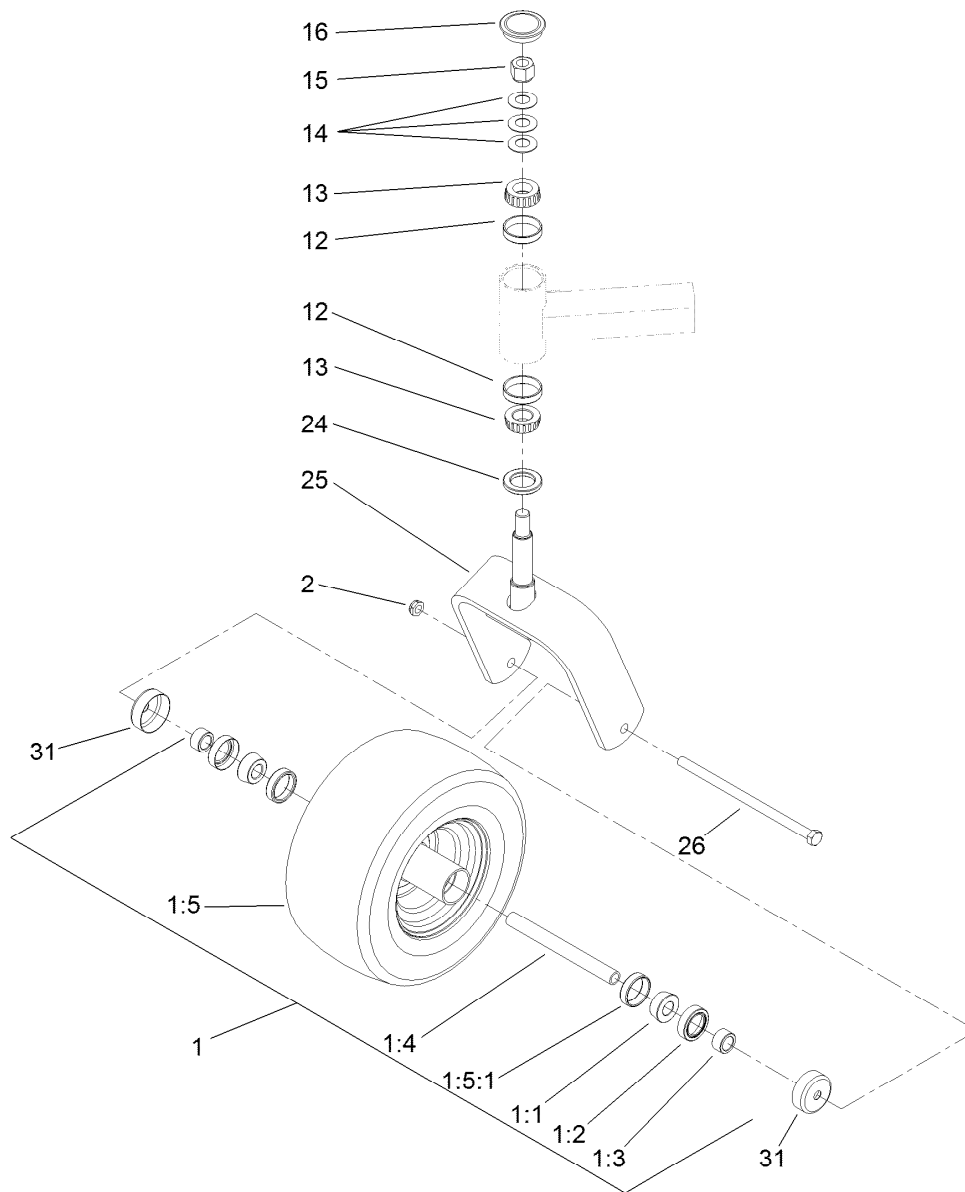
● Not serviced separately



Front Frame Assembly (continued)

| Ref. | Part Number | Qty. | Description | Ref. | Part Number | Qty. | Description |
|------|-------------|------|--------------------------|------|-------------|------|----------------------|
| 26 | 3290-357 | 17 | Nut-HHF, Whiz | 30:4 | 3218-6 | 3 | Nut-Jam |
| 27 | 109-8757 | 1 | Pin-HOC | 30:5 | 3256-7 | 2 | Washer-Flat |
| 28 | 98-5975 | 12 | Washer-Belleville | 30:6 | 1-643015 | 1 | Spring-Support, Deck |
| 29 | 323-7 | 12 | Screw-HH | 31 | 3218-2 | 2 | Nut-Jam |
| 30 | | 2 | Front Frame Spring ASM ● | 32 | 3274-18 | 2 | Screw-HSH |
| 30:1 | 1-633096 | 1 | Rod-Lift, Deck | 33 | 106-8984-01 | 1 | Lift-Deck, LH |
| 30:2 | 1-633441 | 2 | Swivel-Deck Mount, Rear | 34 | 1-633080 | 1 | Bushing-Lever, Lift |
| 30:3 | 3217-11 | 3 | Nut-Hex | | | | |

● Not serviced separately

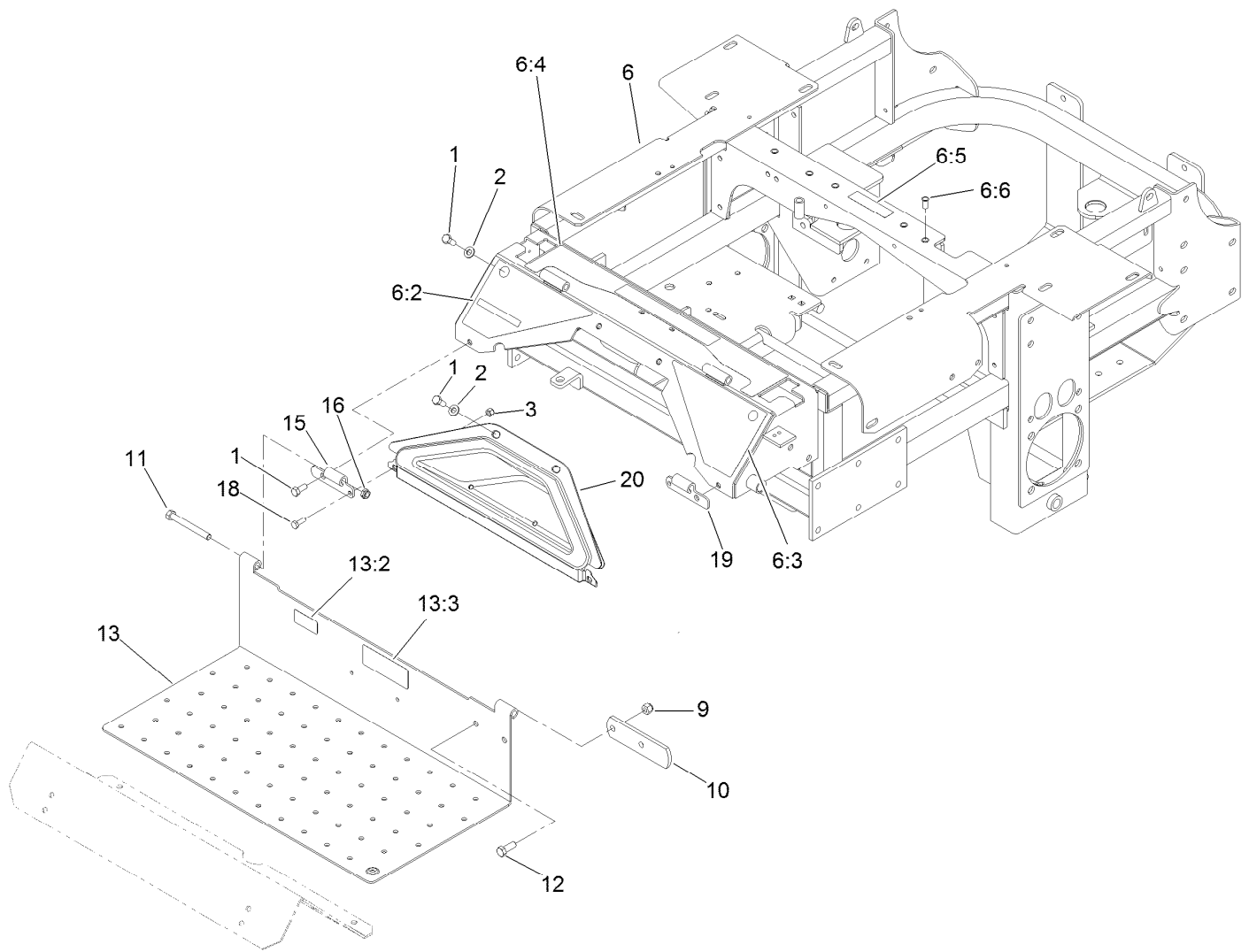


Fork and Caster Wheel Assembly

| Ref. | Part Number | Qty. | Description | Ref. | Part Number | Qty. | Description |
|-------|-------------|------|-----------------------|------|-------------|------|-----------------------|
| 1 | 127-9526 | 2 | Wheel And Bearing ASM | 13 | 254-94 | 4 | Bearing-Cone, Tapered |
| 1:1 | 1-633585 | 2 | Bearing-Cone, Taper | 14 | 1-633508 | 6 | Washer-Bellville |
| 1:2 | 103-0063 | 2 | Seal-Caster | 15 | 3296-51 | 2 | Nut-Lock, NI |
| 1:3 | 103-3051 | 1 | Spacer-Nut ■ | 16 | 103-4882 | 2 | Cap-Grease |
| 1:4 | 126-5361 | 1 | Axle Caster ASM | 24 | 116-5647 | 2 | Seal-Grease |
| 1:5 | | 1 | Wheel And Tire ASM ● | 25 | 116-6707-01 | 2 | Caster |
| 1:5:1 | 1-633584 | 2 | Bearing-Cup | 26 | 325-39 | 2 | Screw-HH |
| 2 | 3296-45 | 2 | Nut-Hex | 31 | 103-2768 | 4 | Guard-Seal |
| 12 | 254-72 | 4 | Bearing-Cup, Tapered | | | | |

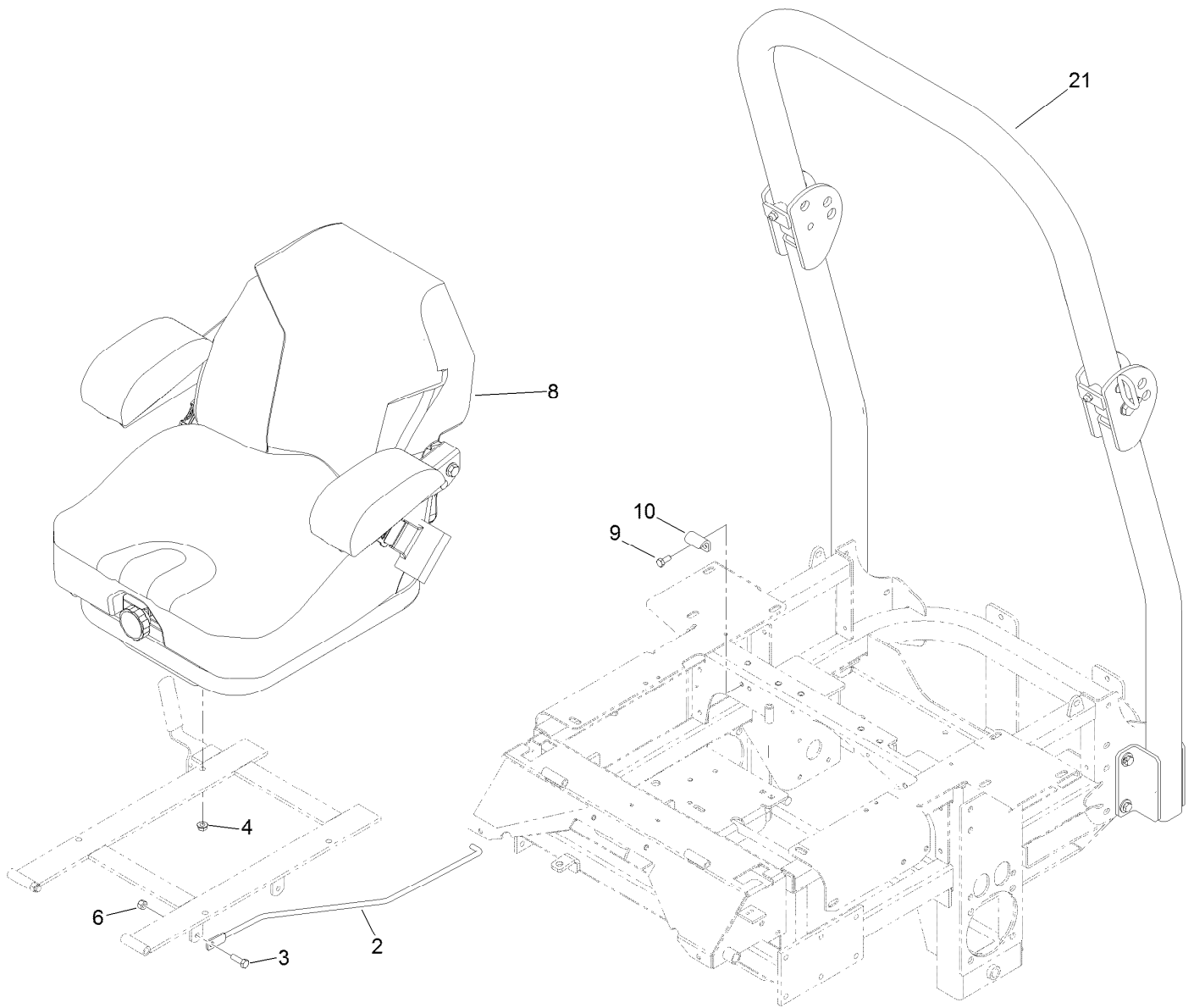
● Not serviced separately

■ Use Pro-Lock, Nut Type (P/N 1-840022, .5ml tube) on threads.



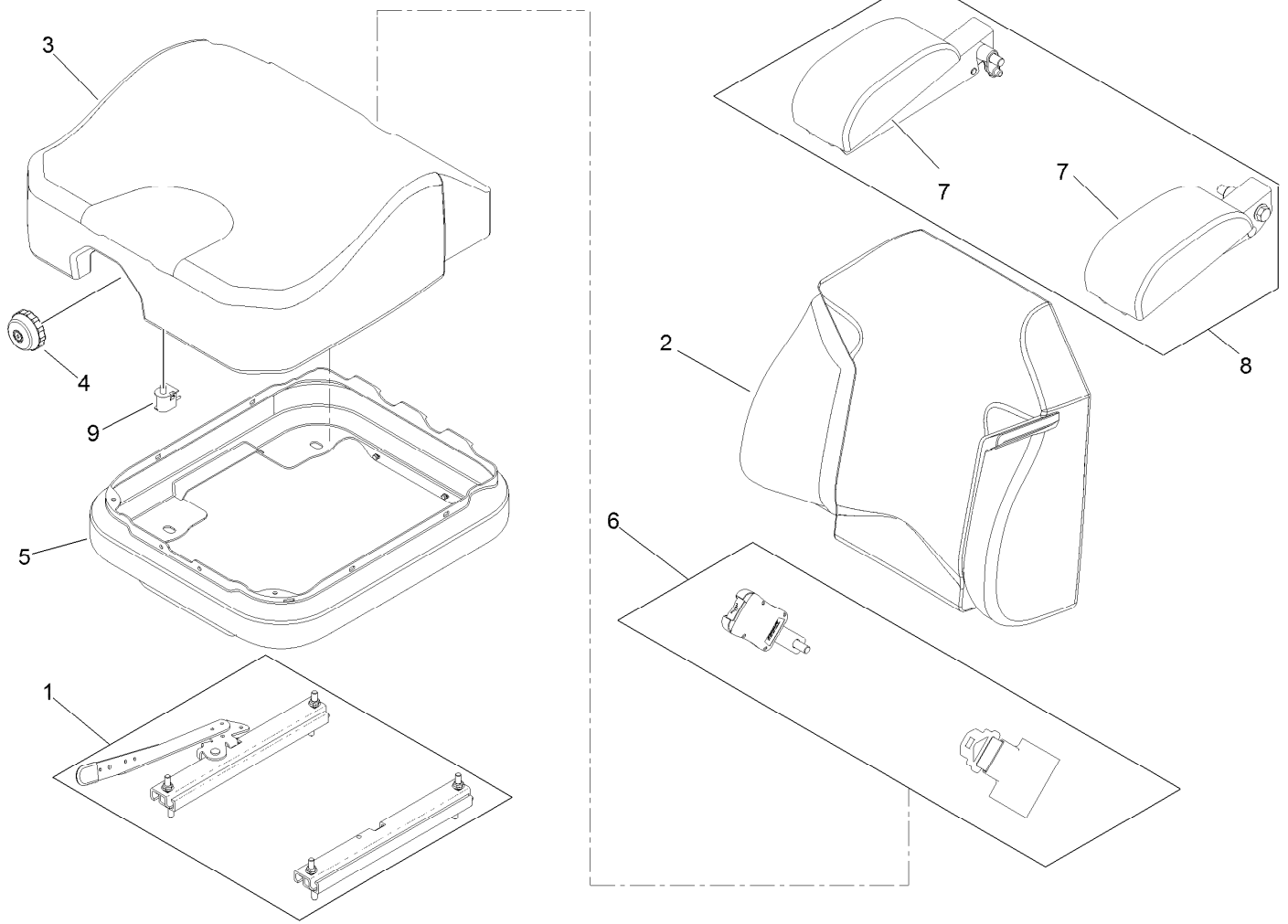
Traction Frame and Floor Pan Assembly

| <i>Ref.</i> | <i>Part Number</i> | <i>Qty.</i> | <i>Description</i> | <i>Ref.</i> | <i>Part Number</i> | <i>Qty.</i> | <i>Description</i> |
|-------------|--------------------|-------------|-------------------------|-------------|--------------------|-------------|-------------------------|
| 1 | 322-43 | 6 | Screw-HH | 11 | 323-20 | 2 | Screw-HH |
| 2 | 3256-70 | 4 | Washer-Flat | 12 | 323-6 | 2 | Screw-HH |
| 3 | 3296-42 | 2 | Nut-Lock, NI | 13 | 115-3851 | 1 | Floor Pan ASM |
| 6 | 131-7712 | 1 | Traction Frame ASM | 13:2 | 98-4387 | 1 | Decal-Protection, Ear |
| 6:2 | 107-3963 | 1 | Decal-Danger, Left | 13:3 | 121-7559 | 1 | Decal-Diesel, Bio-Ready |
| 6:3 | 107-3964 | 1 | Decal-Warning, Right | 15 | 106-7488-03 | 1 | Hinge-Floorpan, LH |
| 6:4 | 110-0820 | 1 | Decal-Console, Top (CE) | 16 | 3296-59 | 2 | Nut-Lock, NI |
| 6:5 | 112-9028 | 1 | Decal-Cover, Missing | 18 | 321-4 | 2 | Screw-HH |
| 6:6 | 32148-11 | 5 | Nut-Clinch | 19 | 106-7489-03 | 1 | Hinge-Floorpan, RH |
| 9 | 3296-39 | 2 | Nut-Lock, NI | 20 | 106-7498 | 1 | Pocket |
| 10 | 1-633964-03 | 1 | Stop-Brake, Park | | | | |



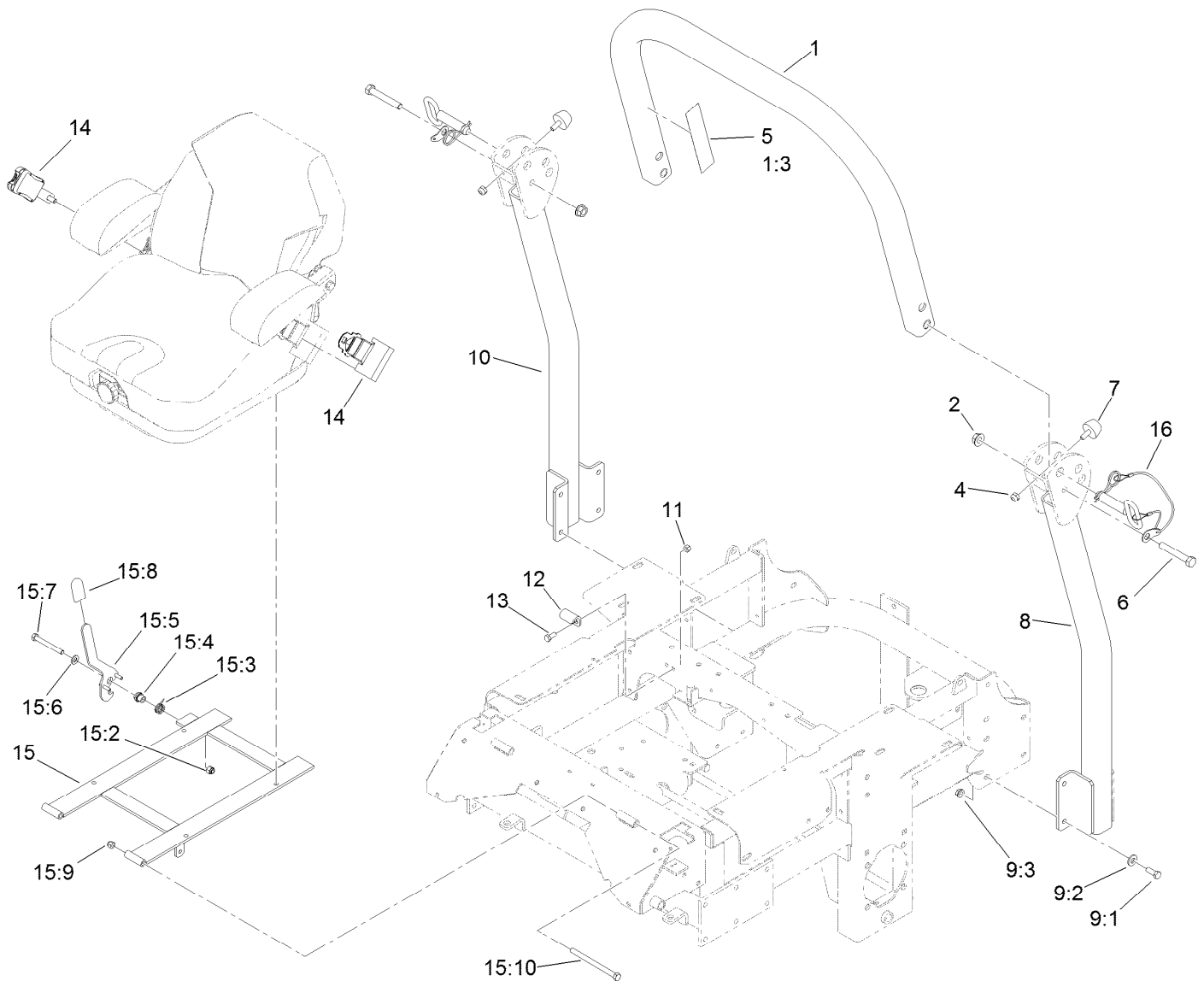
Seat and Roll-Over Protection System Assembly

| <i>Ref.</i> | <i>Part Number</i> | <i>Qty.</i> | <i>Description</i> |
|-------------|--------------------|-------------|---------------------|
| 2 | 108-5341 | 1 | Rod-Prop, Seat |
| 3 | 322-5 | 1 | Screw-HH |
| 4 | 32128-20 | 4 | Nut-HF |
| 6 | 3296-29 | 3 | Nut-Lock, NI |
| 8 | 125-3107 | 1 | Suspension Seat ASM |
| 9 | 322-3 | 2 | Screw-HH |
| 10 | 107-3058 | 1 | Catch-Latch, Seat |
| 21 | 117-3866 | 1 | ROPS Kit |



Seat Assembly No. 125-3107

| <i>Ref.</i> | <i>Part Number</i> | <i>Qty.</i> | <i>Description</i> |
|-------------|--------------------|-------------|--------------------------|
| 1 | 116-8910 | 1 | Seat Track Set |
| 2 | 125-3112 | 1 | Cover-Back |
| 3 | 125-3111 | 1 | Cover-Cushion |
| 4 | 116-8911 | 1 | Knob-Adjuster |
| 5 | 116-5659 | 1 | Cover-Suspension Bellows |
| 6 | 126-2061 | 1 | Seat Belt Service Kit |
| 7 | 109-9802 | 1 | Arm Rest Pad Set |
| 8 | 109-9803 | 1 | Arm Rest Set |
| 9 | 82-2190 | 1 | Switch-Bail |

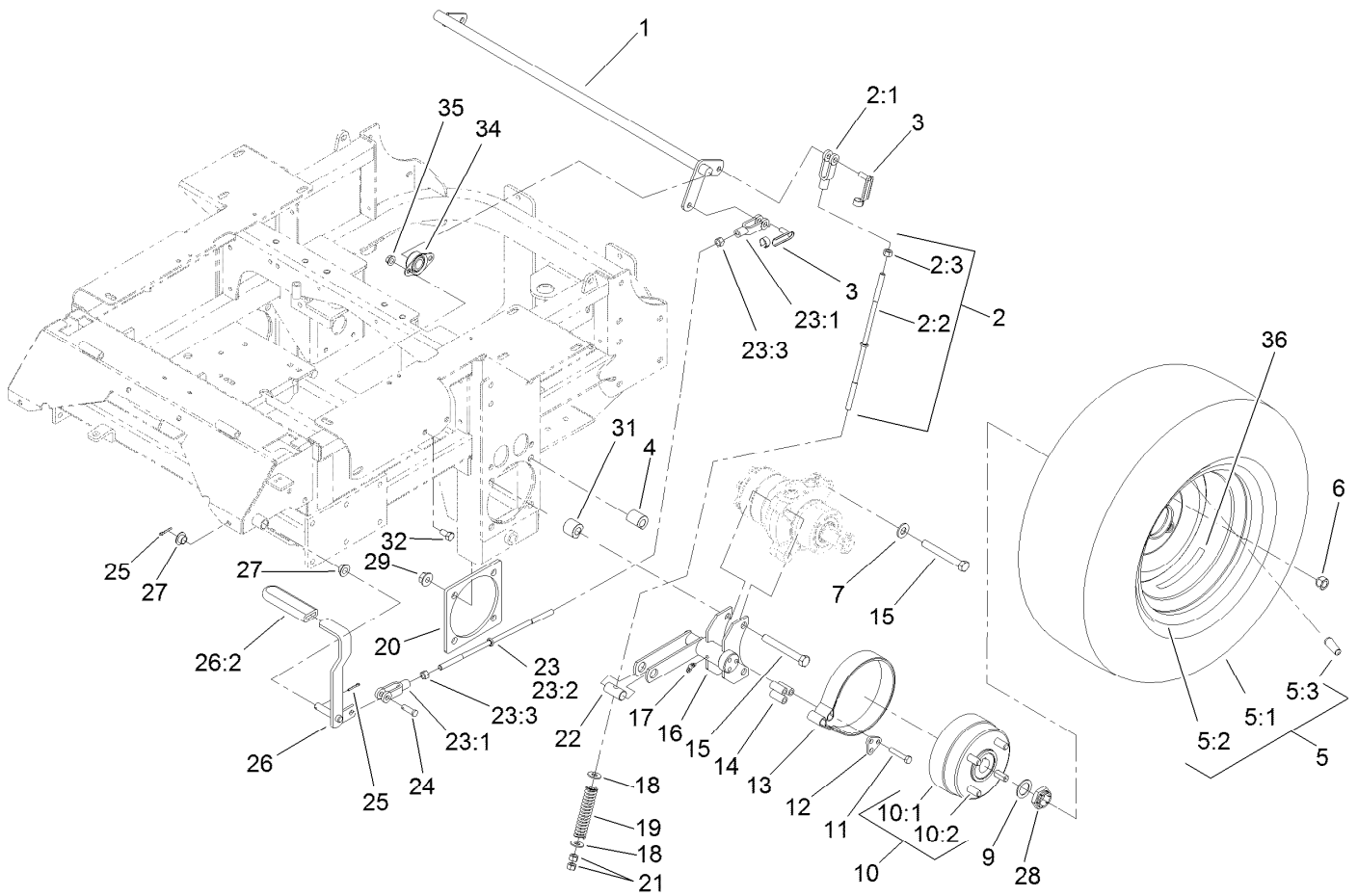


Roll-Over Protection System Assembly No. 117-3866

| Ref. | Part Number | Qty. | Description | Ref. | Part Number | Qty. | Description |
|------|-------------|------|-----------------------------|-------|-------------|------|---------------------|
| 1 | | 1 | Upper Tube ASM ■ | 12 | 107-3058 | 1 | Catch-Latch, Seat |
| 1:3 | 107-2102 | 1 | Decal-Warning, Folding ROPS | 13 | 322-3 | 2 | Screw-HH |
| 2 | 32128-23 | 2 | Nut-HF | 14 | 109-9805 | 1 | Seat Belt Kit |
| 4 | 3296-73 | 2 | Nut-Lock, NI | 15 | 110-0874 | 1 | Seatframe ASM |
| 5 | 107-3069 | 1 | Decal-Warning | 15:2 | 3296-39 | 1 | Nut-Lock, NI |
| 6 | 325-13 | 2 | Screw-HH | 15:3 | 107-0076 | 1 | Spring-Torsion |
| 7 | 109-2365 | 2 | Bumper-Rubber | 15:4 | 107-0075 | 1 | Bushing-Latch, Seat |
| 8 | | 1 | Tube-Support, LH ■ | 15:5 | 107-3083 | 1 | Latch ASM |
| 9 | | 1 | Bag-Bolt, ROPS ● ■ | 15:6 | 3256-24 | 1 | Washer-Flat |
| 9:1 | 323-6 | 8 | Screw-HH | 15:7 | 323-20 | 1 | Screw-HH |
| 9:2 | 98-5975 | 8 | Washer-Belleville | 15:8 | 103-4434 | 1 | Grip-Lever |
| 9:3 | 3290-357 | 8 | Nut-HHF, Whiz | 15:9 | 3296-39 | 2 | Nut-Lock, NI |
| 10 | | 1 | Tube-Support, RH ■ | 15:10 | 323-39 | 2 | Screw-HH |
| 11 | 3296-29 | 2 | Nut-Lock, NI | 16 | 103-4553 | 2 | Pin-Fold, ROPS |

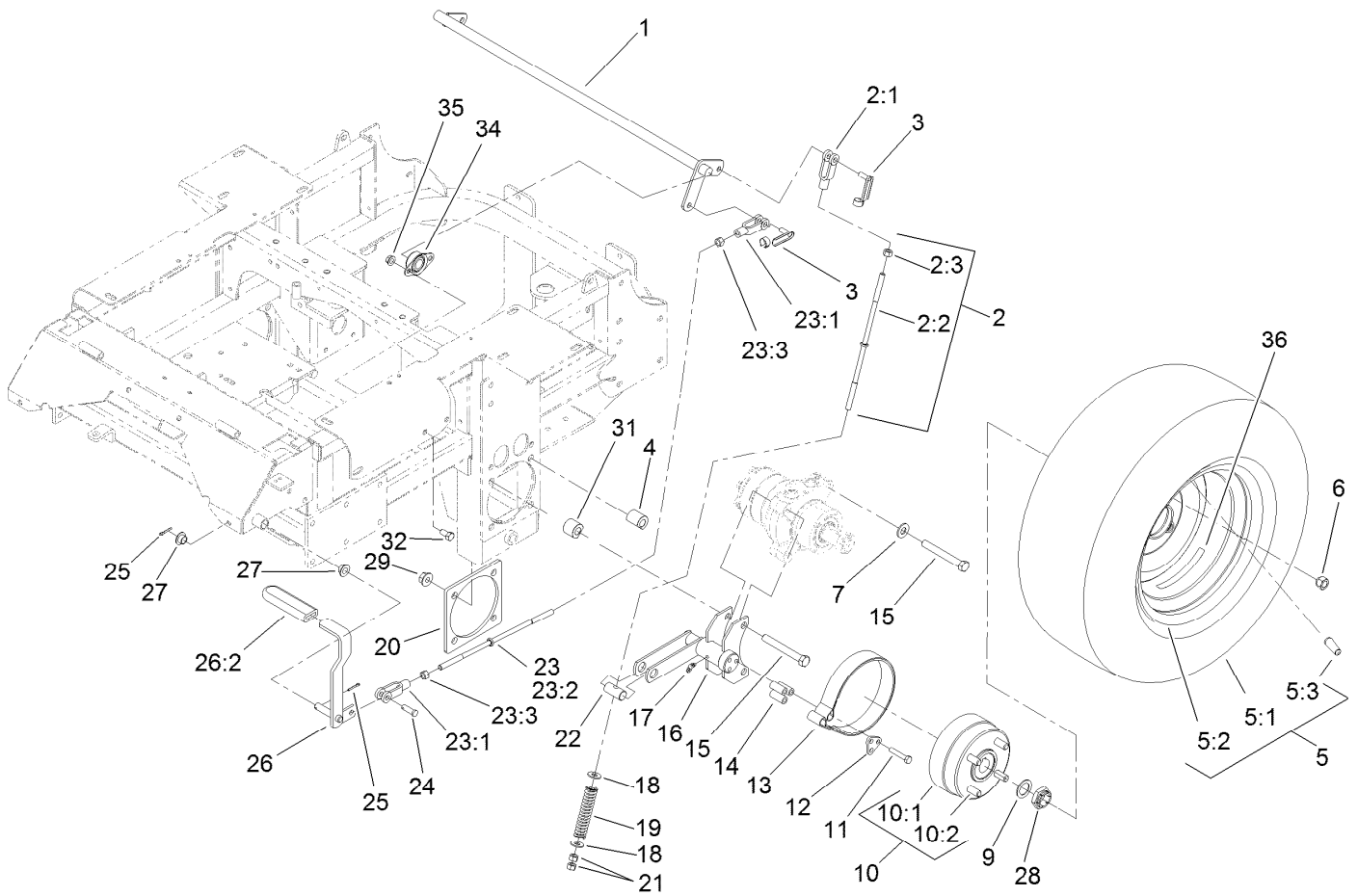
● Not illustrated

■ Not serviced separately



Main Frame and Rear Wheel Assembly

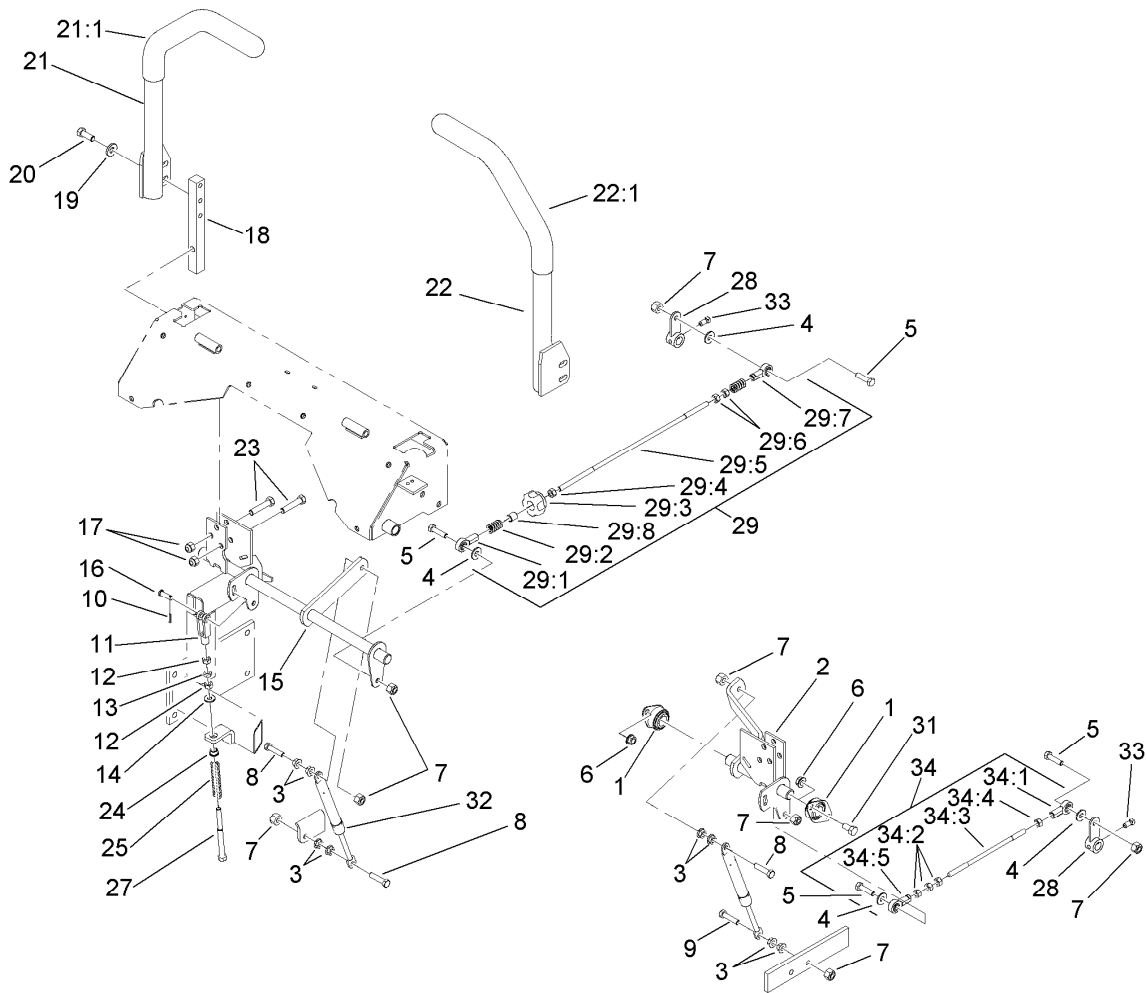
| Ref. | Part Number | Qty. | Description | Ref. | Part Number | Qty. | Description |
|------|-------------|------|----------------------|------|-------------|------|---------------------|
| 1 | 1-632217-03 | 1 | Shaft-Brake | 15 | 325-33 | 8 | Screw-HH |
| 2 | 108-5963 | 2 | Brake Rod ASM | 16 | 103-0354-03 | 2 | Brake Bracket ASM |
| 2:1 | 1-633131 | 1 | Yoke-Linkage, Brake | 17 | 1481 | 2 | Fitting-Grease |
| 2:2 | 108-5980 | 1 | Rod-Brake | 18 | 3256-4 | 4 | Washer-Flat |
| 2:3 | 3219-3 | 1 | Nut-Hex | 19 | 1-633454 | 2 | Spring-Brake |
| 3 | 103-2399 | 3 | Pin-Spring, Clevis | 20 | 103-3271-03 | 2 | Plate-Reinforcement |
| 4 | 109-5012 | 4 | Spacer-Wheel, Long | 21 | 3219-3 | 4 | Nut-Hex |
| 5 | 127-9521 | 2 | Wheel And Tire ASM | 22 | 1-633144 | 2 | Pin-Trunion |
| 5:1 | 1-633993 | 1 | Tire | 23 | 108-5962 | 1 | Brake Rod ASM |
| 5:2 | 127-9522 | 1 | Wheel | 23:1 | 1-633131 | 2 | Yoke-Linkage, Brake |
| 5:3 | 232-27 | 1 | Stem-Valve | 23:2 | 1-633477 | 1 | Rod-Brake |
| 6 | 242-50 | 8 | Nut-Lug | 23:3 | 3219-3 | 2 | Nut-Hex |
| 7 | 87-7270 | 4 | Washer-Thrust | 24 | 1-808285 | 1 | Pin-Clevis |
| 9 | 1-523157 | 2 | Washer-Spacer | 25 | 3272-10 | 2 | Pin-Cotter |
| 10 | 103-0590 | 2 | Wheel Hub ASM | 26 | 1-634500 | 1 | Brake Lever ASM |
| 10:1 | 103-0589 | 1 | Hub-Wheel | 26:2 | 1-633268 | 1 | Grip-Lever |
| 10:2 | 1-633926 | 4 | Stud-Wheel | 27 | 1-513140 | 2 | Bearing-Control |
| 11 | 322-9 | 6 | Screw-HH | 28 | 116-1399 | 2 | Locknut |
| 12 | 103-0374 | 2 | Retainer-Band, Brake | 29 | 32128-49 | 8 | Nut-HHF |
| 13 | 103-0355 | 2 | Band-Brake | 31 | 109-5011 | 4 | Spacer-Wheel, Short |
| 14 | 103-0384 | 6 | Spacer | 32 | 323-4 | 4 | Screw-HH |



Main Frame and Rear Wheel Assembly (continued)

| Ref. | Part Number | Qty. | Description |
|------|-------------|------|----------------------|
| 34 | 1-633102 | 2 | Bearing-Flange, Side |

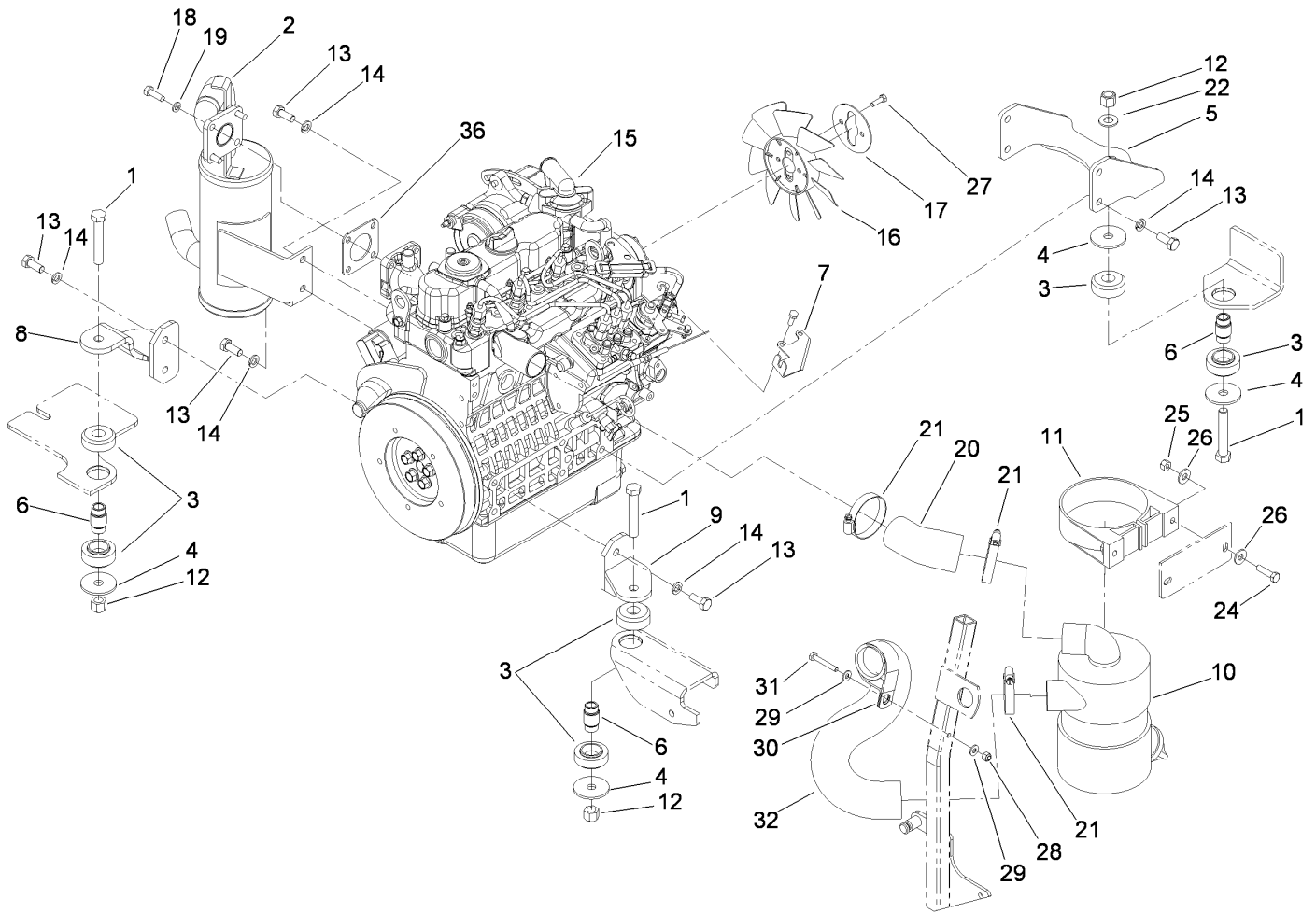
| Ref. | Part Number | Qty. | Description |
|------|-------------|------|-----------------------------|
| 35 | 3290-357 | 4 | Nut-HHF, Whiz |
| 36 | 126-2055 | 2 | Decal-Torque, Wheel Hub Lug |



Hydro Control Assembly

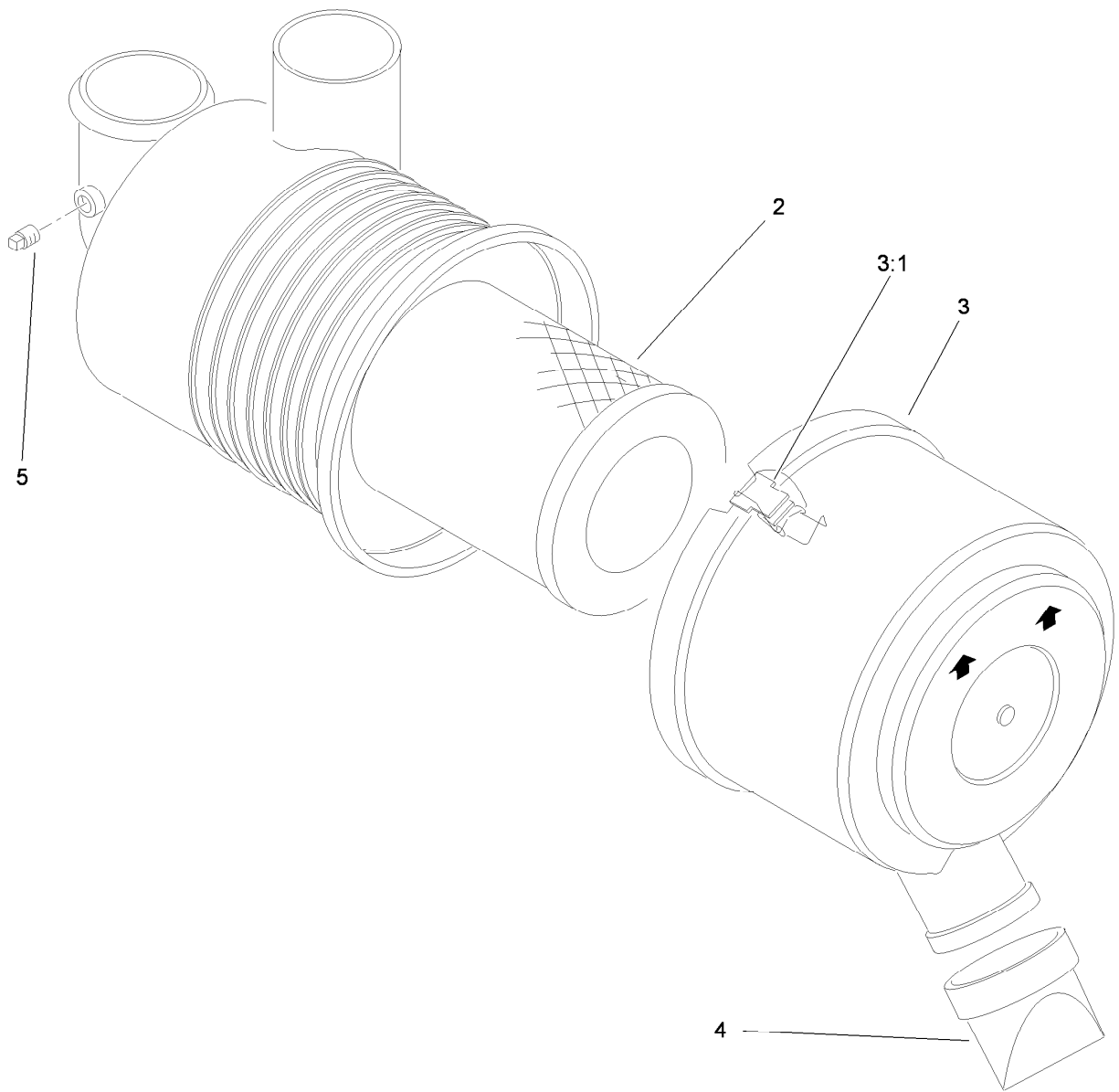
| Ref. | Part Number | Qty. | Description |
|------|-------------|------|----------------------|
| 1 | 1-633102 | 4 | Bearing-Flange, Side |
| 2 | 107-3480 | 1 | Control-Motion, LH |
| 3 | 32128-20 | 10 | Nut-HF |
| 4 | 3256-3 | 4 | Washer-Flat |
| 5 | 322-6 | 4 | Screw-HH |
| 6 | 3290-357 | 6 | Nut-HHF, Whiz |
| 7 | 3296-29 | 8 | Nut-Lock, NI |
| 8 | 1-403180 | 3 | Screw-HH |
| 9 | 322-41 | 1 | Screw-HH |
| 10 | 3272-5 | 2 | Pin-Cotter |
| 11 | 1-303105 | 2 | Yoke-Adjustable |
| 12 | 3219-2 | 4 | Nut-Hex |
| 13 | 3220-2 | 2 | Nut-Jam |
| 14 | 3256-2 | 2 | Washer-Flat |
| 15 | 107-3481 | 1 | Control-Motion, RH |
| 16 | 1-808280 | 2 | Pin-Clevis |
| 17 | 3296-39 | 6 | Nut-Lock, NI |
| 18 | 103-0407 | 2 | Arm-Shaft, Control |
| 19 | 98-5975 | 4 | Washer-Belleville |
| 20 | 323-6 | 4 | Screw-HH |
| 21 | 108-7237 | 1 | RH Lever ASM |
| 21:1 | 106-9987 | 1 | Grip-Control, Motion |
| 22 | 108-7238 | 1 | LH Lever ASM |
| 22:1 | 106-9987 | 1 | Grip-Control, Motion |

| Ref. | Part Number | Qty. | Description |
|------|-------------|------|------------------------|
| 23 | 323-9 | 6 | Screw-HH |
| 24 | 1-603735 | 2 | Bushing-Flanged |
| 25 | 1-603807 | 2 | Spring-Return, Neutral |
| 27 | 1-603737 | 2 | Bolt-Return, Neutral |
| 28 | 107-3470-03 | 2 | Arm-Control, Hydraulic |
| 29 | 107-3474 | 1 | RH Control Rod ASM |
| 29:1 | 1-543017 | 1 | Balljoint-RH |
| 29:2 | 1-323245 | 2 | Spring-Compression |
| 29:3 | 103-3060 | 1 | Knob-Tracking |
| 29:4 | 3219-2 | 1 | Nut-Hex |
| 29:5 | 107-3472 | 1 | Rod-Control, RH |
| 29:6 | 1-804524 | 2 | Nut |
| 29:7 | 1-633152 | 1 | Balljoint-LH |
| 29:8 | 103-1166 | 1 | Spacer-Tube, Pump Link |
| 31 | 323-4 | 6 | Screw-HH |
| 32 | 109-2339 | 2 | Damper-Control, Motion |
| 33 | 1-803022 | 2 | Screw-Set |
| 34 | 107-3475 | 1 | LH Control Rod ASM |
| 34:1 | 1-543017 | 1 | Balljoint-RH |
| 34:2 | 3219-2 | 3 | Nut-Hex |
| 34:3 | 107-3473 | 1 | Rod-Control, LH |
| 34:4 | 1-804524 | 1 | Nut |
| 34:5 | 1-633152 | 1 | Balljoint-LH |



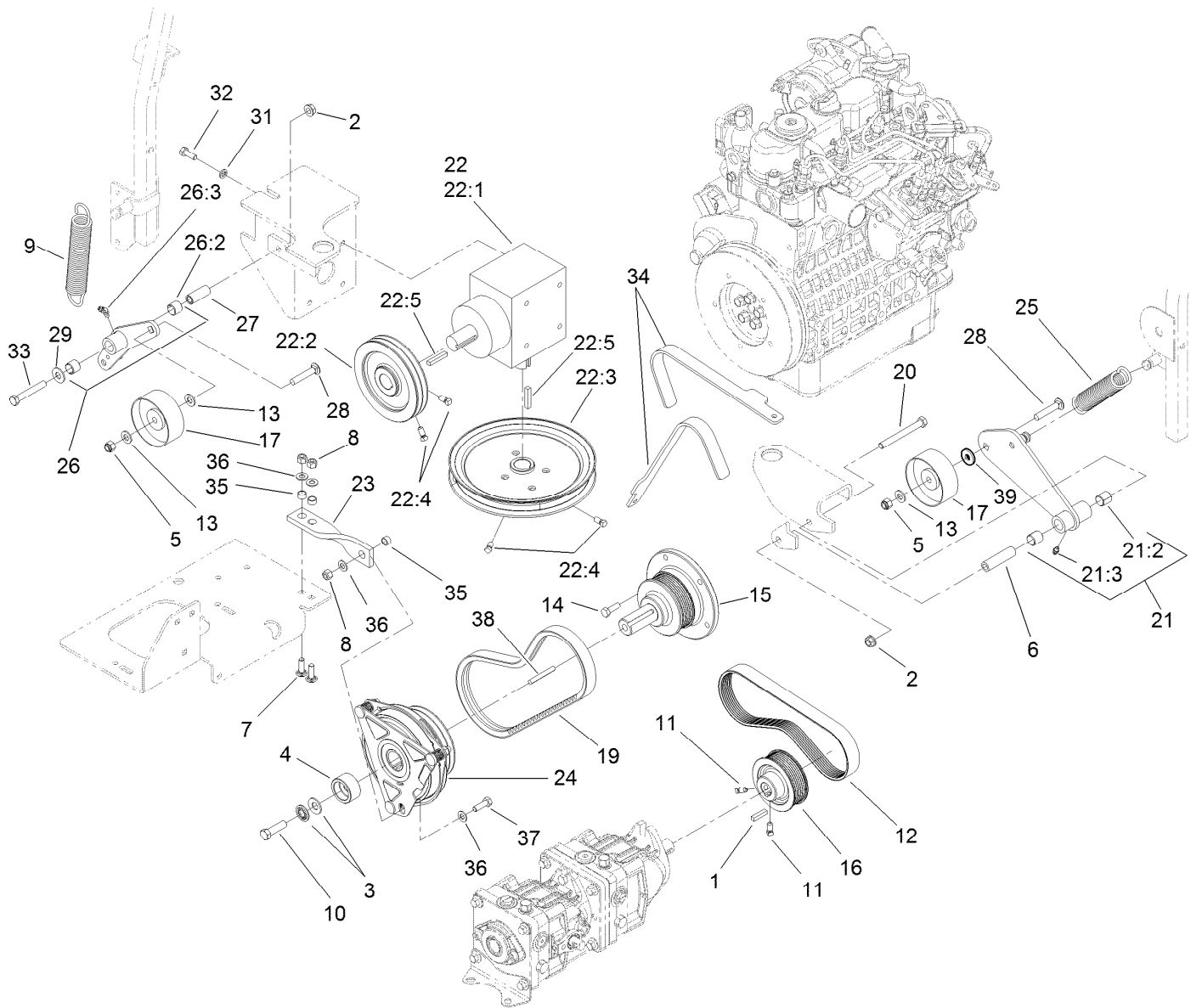
Engine, Exhaust and Air Intake Assembly

| Ref. | Part Number | Qty. | Description | Ref. | Part Number | Qty. | Description |
|------|-------------|------|----------------------------|------|-------------|------|--------------------------|
| 1 | 325-12 | 3 | Screw-HH | 17 | 110-0816 | 1 | Plate-Reatainer, Fan |
| 2 | 107-9909 | 1 | Muffler | 18 | 33114-025 | 4 | Screw-HH |
| 3 | 107-9914 | 3 | Mount-Isolation ASM | 19 | 3253-4 | 4 | Washer-Lock |
| 4 | 55-7960 | 4 | Washer-Large | 20 | 108-5371 | 1 | Hose-Intake, Air Cleaner |
| 5 | 107-9917-03 | 1 | Bracket-Engine Mount, Rear | 21 | 1-643009 | 3 | Clamp-Hose |
| 6 | 110-0300 | 3 | Spacer | 22 | 3256-26 | 1 | Washer-Flat |
| 7 | 112-2383 | 1 | Bracket-Throttle | 24 | 322-6 | 2 | Screw-HH |
| 8 | 107-9920-03 | 1 | Support-Engine, RH | 25 | 3296-29 | 2 | Nut-Lock, NI |
| 9 | 107-9930-03 | 1 | Support-Engine, LH | 26 | 3256-23 | 4 | Washer-Plain |
| 10 | 93-2190 | 1 | Air Cleaner ASM | 27 | 33113-020 | 2 | Screw-HH |
| 11 | 95-5806 | 1 | Bracket-Mounting | 28 | 3296-42 | 1 | Nut-Lock, NI |
| 12 | 3296-23 | 3 | Nut-Lock, NI | 29 | 3256-22 | 2 | Washer-Flat |
| 13 | 43-0090 | 10 | Screw-HH | 30 | 1-643241 | 1 | Clip-Loom |
| 14 | 42-9600 | 10 | Washer-Lock | 31 | 321-10 | 1 | Screw-HH |
| 15 | 138-6913 | 1 | Engine-Kubota D902 | 32 | 108-5370 | 1 | Hose-Intake, Engine |
| 16 | 110-0814 | 1 | Fan | 36 | 99-8343 | 1 | Gasket-Muffler |



Air Cleaner Assembly No. 93-2190

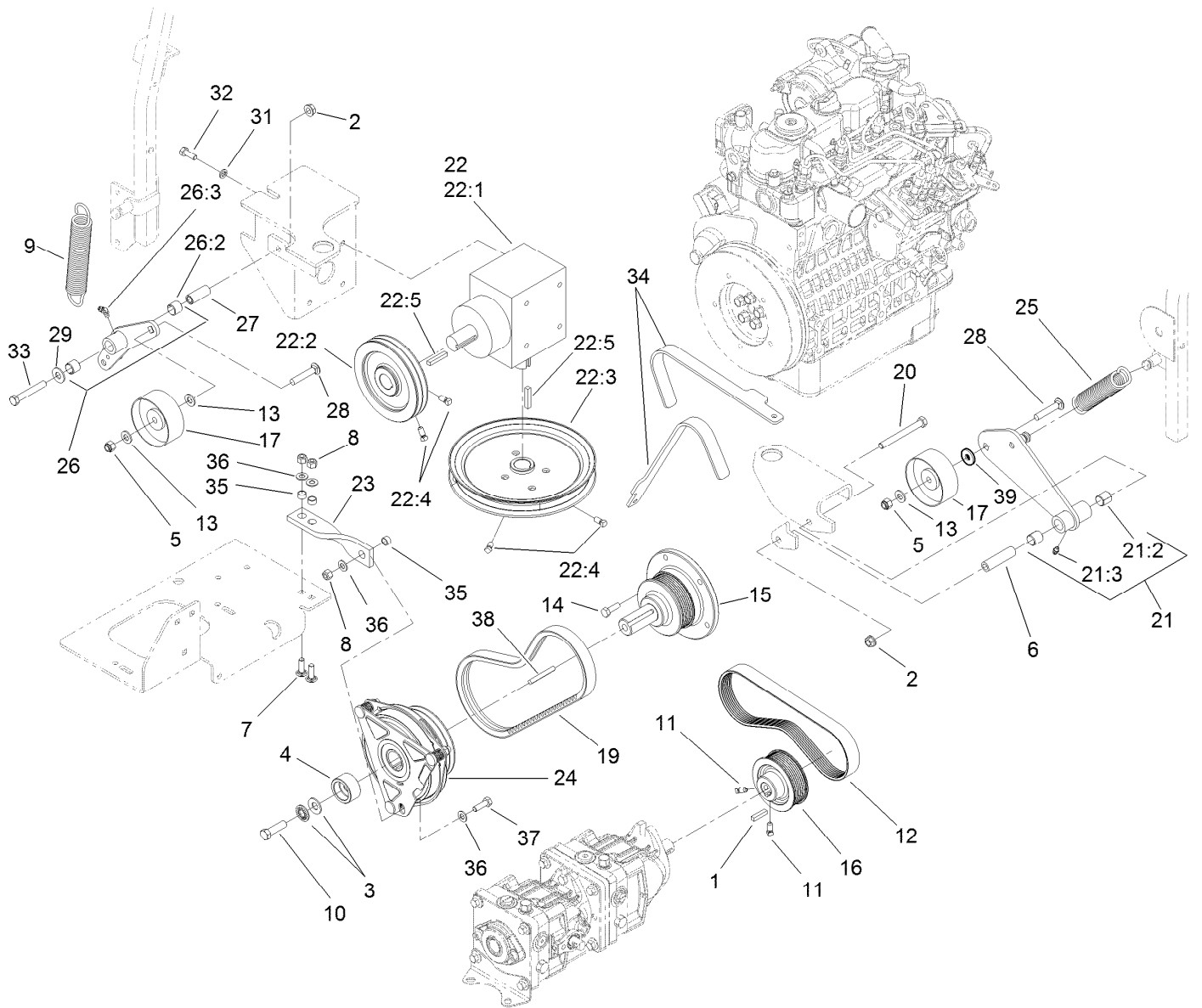
| <i>Ref.</i> | <i>Part Number</i> | <i>Qty.</i> | <i>Description</i> |
|-------------|--------------------|-------------|--------------------|
| 2 | 108-3811 | 1 | Filter-Air |
| 3 | 94-3652 | 1 | Cover ASM |
| 3:1 | 1-643283 | 2 | Latch-Cleaner, Air |
| 4 | 87-9400 | 1 | Valve-Vacuator |
| 5 | 285-17 | 1 | Plug-Pipe |



Hydro and Gearbox Assembly

| Ref. | Part Number | Qty. | Description | Ref. | Part Number | Qty. | Description |
|------|-------------|------|----------------------|------|-------------|------|-----------------------|
| 1 | 5-0698 | 1 | Key | 20 | 323-15 | 1 | Screw-HH |
| 2 | 3290-357 | 2 | Nut-HHF, Whiz | 21 | 108-5939 | 1 | Pump Idler Arm ASM |
| 3 | 1-603610 | 2 | Washer-Spring | 21:2 | 1-513034 | 2 | Sleeve-Bearing |
| 4 | 114-8152 | 1 | Retainer-Clutch | 21:3 | 302-5 | 1 | Fitting-Grease |
| 5 | 3296-39 | 2 | Nut-Lock, NI | 22 | | 1 | Gearbox ASM ● |
| 6 | 1-603384 | 1 | Bushing-Pivot, Idler | 22:1 | 107-9887 | 1 | Gearbox-90 DEG |
| 7 | 3230-22 | 2 | Screw-CARR | 22:2 | 110-3862 | 1 | Pulley |
| 8 | 3296-29 | 3 | Nut-Lock, NI | 22:3 | 110-0892 | 1 | Pulley |
| 9 | 110-0822 | 1 | Spring-Extension | 22:4 | 1-803022 | 4 | Screw-Set |
| 10 | 3212-6 | 1 | Screw-HH | 22:5 | 67-7490 | 2 | Key-Square |
| 11 | 1-803022 | 2 | Screw-Set | 23 | 112-1781 | 1 | Strap-Stop, Clutch |
| 12 | 110-3865 | 1 | Belt-V, Ribbed | 24 | 112-2320 | 1 | Clutch-Magnetic |
| 13 | 3256-24 | 4 | Washer-Flat | 25 | 119-0394 | 1 | Spring-Extension |
| 14 | 33114-025 | 5 | Screw-HH | 26 | 112-2356 | 1 | Gearbox Idler Arm ASM |
| 15 | 112-2335 | 1 | Shaft-Stub | 26:2 | 103-4681 | 2 | Sleeve-Bearing |
| 16 | 110-3864 | 1 | Pulley | 26:3 | 1481 | 1 | Fitting-Grease |
| 17 | 108-5910 | 2 | Pulley-Flat | 27 | 1-603044 | 1 | Bushing |
| 19 | 110-3866 | 1 | Belt-V | 28 | 3231-6 | 2 | Screw-CARR |

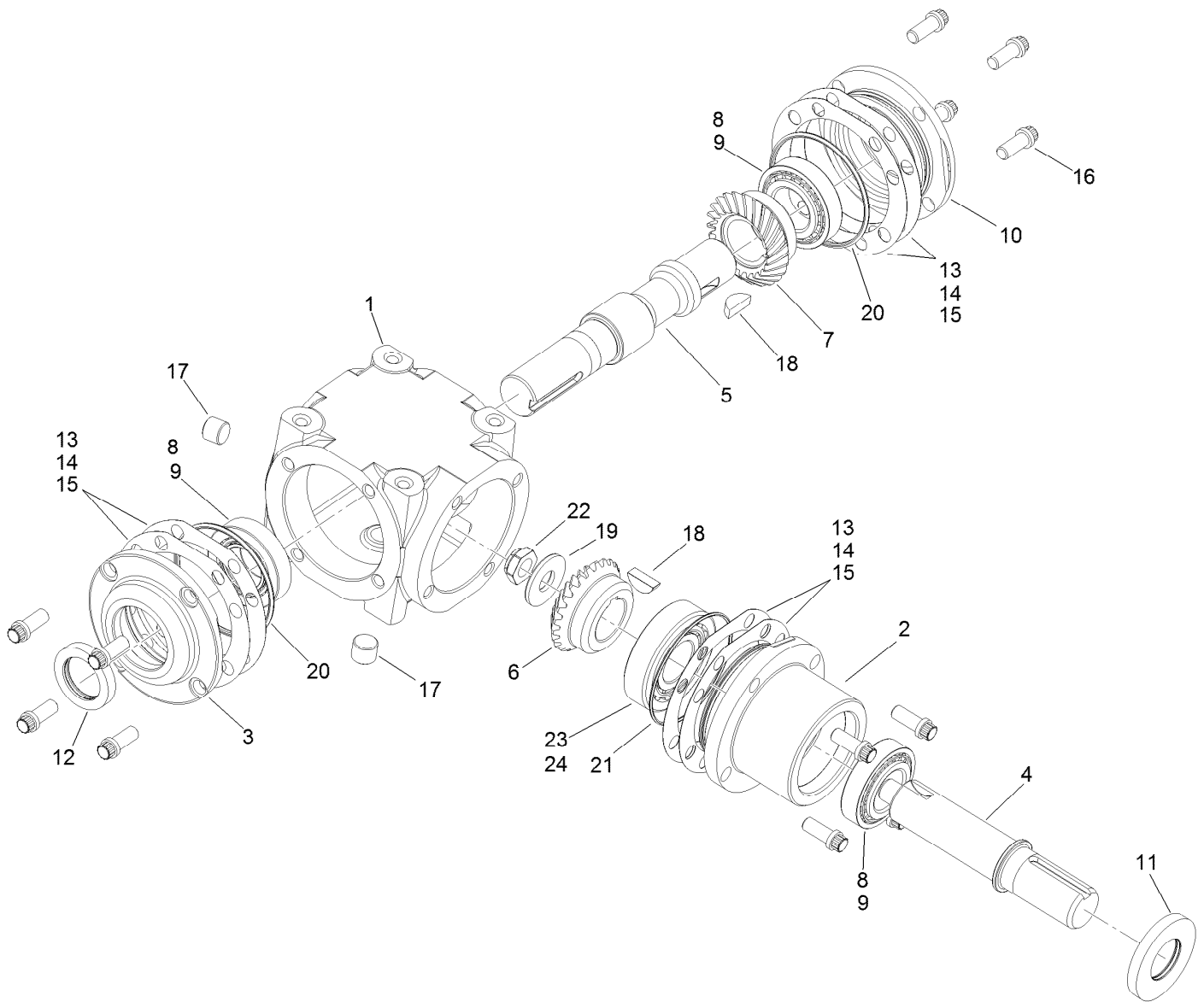
● Not serviced separately



Hydro and Gearbox Assembly (continued)

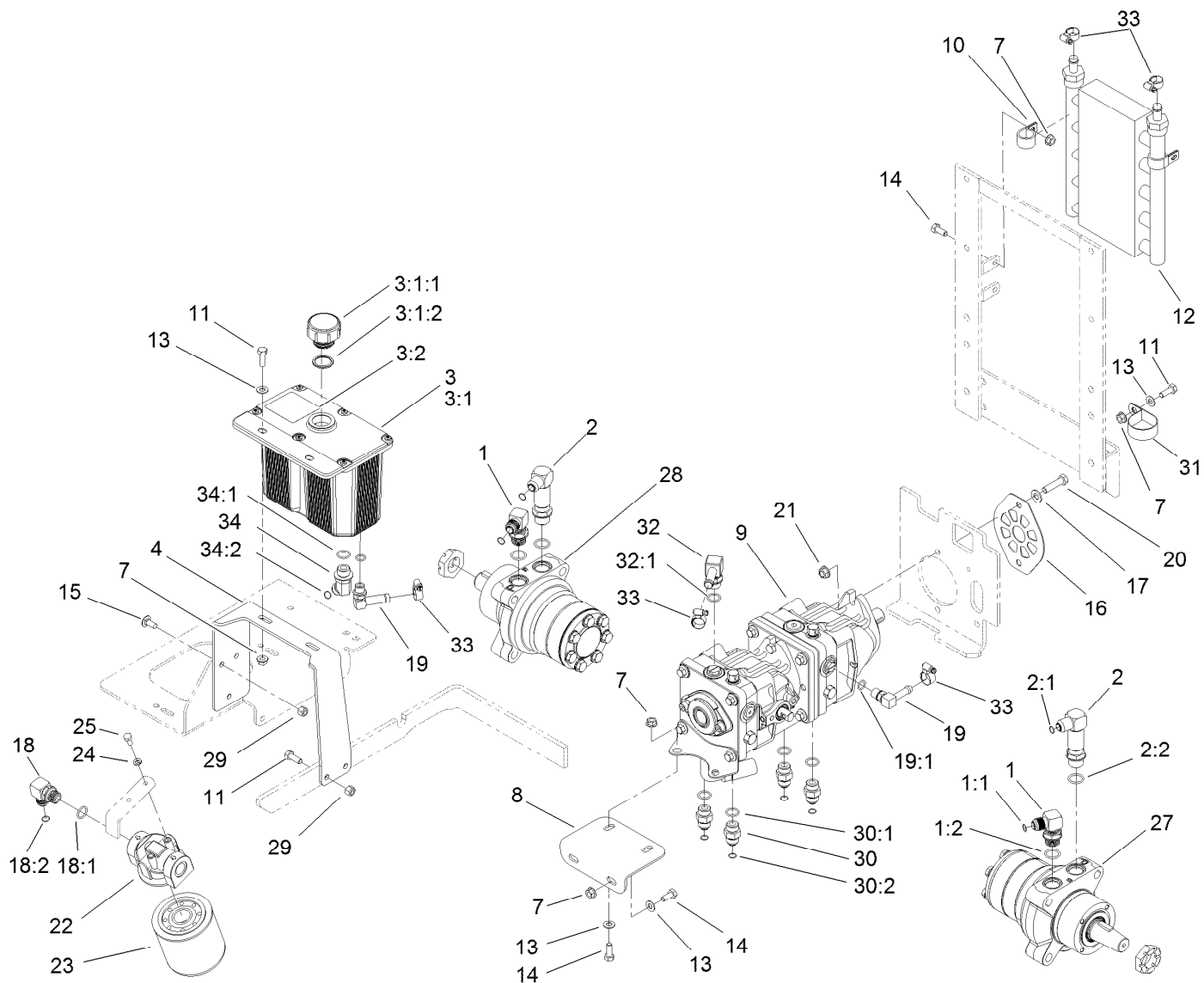
| <i>Ref.</i> | <i>Part Number</i> | <i>Qty.</i> | <i>Description</i> | <i>Ref.</i> | <i>Part Number</i> | <i>Qty.</i> | <i>Description</i> |
|-------------|--------------------|-------------|------------------------|-------------|--------------------|-------------|--------------------|
| 29 | 3256-4 | 1 | Washer-Flat | 35 | 65-9820 | 3 | Spacer |
| 31 | 3253-4 | 4 | Washer-Lock | 36 | 3256-23 | 4 | Washer-Plain |
| 32 | 322-4 | 4 | Screw-HH | 37 | 322-5 | 1 | Screw-HH |
| 33 | 323-12 | 1 | Screw-HH | 38 | 5-1336 | 1 | Key-Square |
| 34 | 110-0876 | 1 | Tool-Alignment, Pulley | 39 | 1-373034 | 1 | Washer |

● Not serviced separately



Gearbox Assembly No. 107-9887

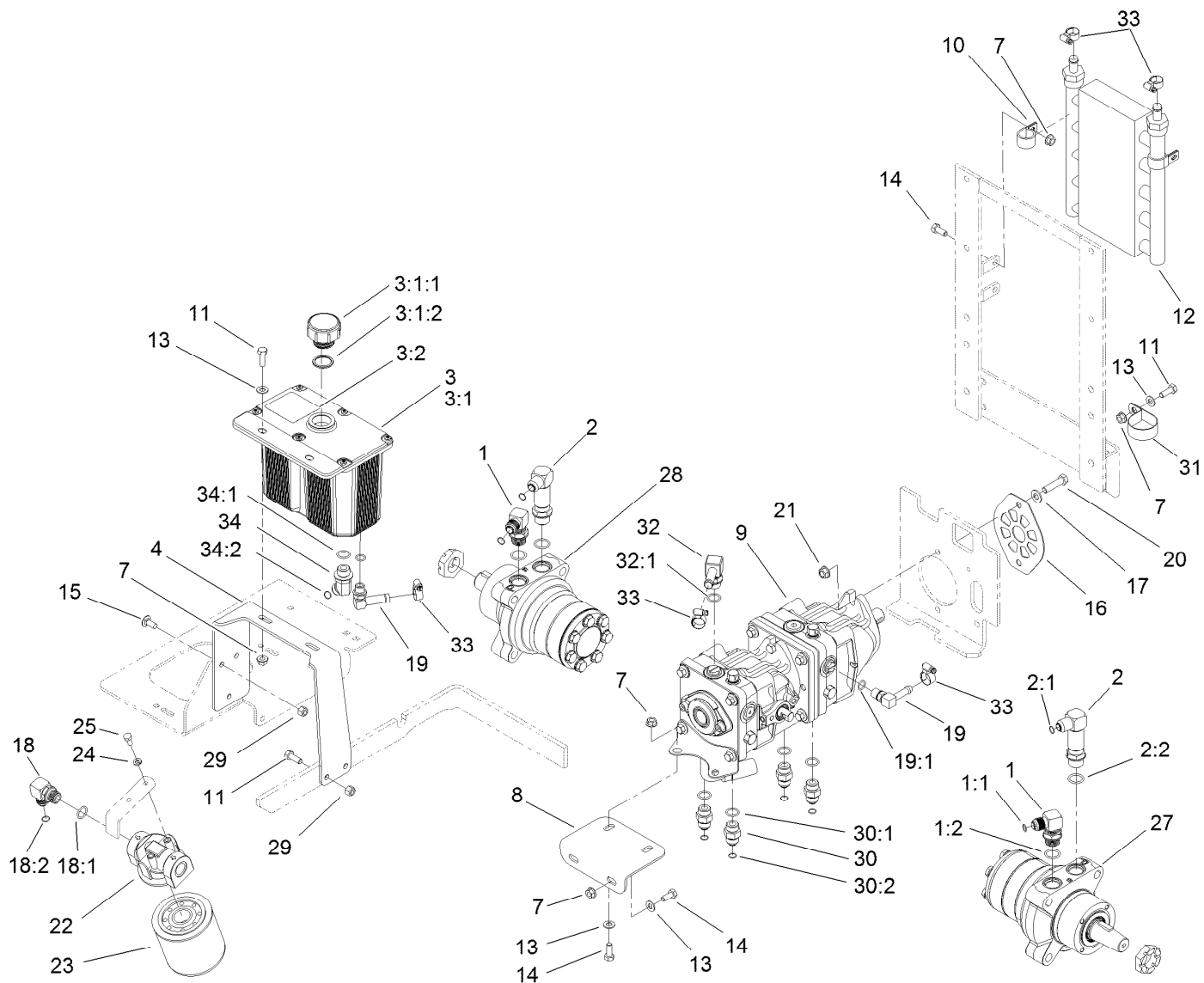
| <i>Ref.</i> | <i>Part Number</i> | <i>Qty.</i> | <i>Description</i> | <i>Ref.</i> | <i>Part Number</i> | <i>Qty.</i> | <i>Description</i> |
|-------------|--------------------|-------------|--------------------|-------------|--------------------|-------------|--------------------|
| 1 | 110-0843 | 1 | Case | 13 | 100-4591 | 1 | Shim-Brown, .010In |
| 2 | 110-0853 | 1 | Housing-Pinion | 14 | 100-4592 | 1 | Shim-Blue, .005In |
| 3 | 100-4566 | 1 | Cap-End, Open | 15 | 100-4593 | 1 | Shim-Green, .003In |
| 4 | 110-0844 | 1 | Shaft-Pinion | 16 | 100-4578 | 12 | Screw |
| 5 | 110-0845 | 1 | Shaft-Cross | 17 | 100-4579 | 2 | Plug |
| 6 | 110-0847 | 1 | Gear-Shaft, Cross | 18 | 3257-33 | 2 | Key-Woodruff |
| 7 | 110-0846 | 1 | Gear-Pinion | 19 | 100-4581 | 1 | Washer |
| 8 | 110-0848 | 3 | Bearing-Cup | 20 | 100-4582 | 2 | O-Ring |
| 9 | 110-0849 | 3 | Bearing-Cone | 21 | 110-0851 | 1 | O-Ring |
| 10 | 100-4574 | 1 | Cap-End, Closed | 22 | 110-0852 | 1 | Nut Lock |
| 11 | 100-4575 | 1 | Seal | 23 | 100-5817 | 1 | Bearing-Cup |
| 12 | 110-0850 | 1 | Seal-Shaft, Cross | 24 | 100-5816 | 1 | Bearing-Cone |



Hydraulic Tank, Pump and Motor Assembly

| Ref. | Part Number | Qty. | Description | Ref. | Part Number | Qty. | Description |
|-------|-------------|------|-------------------------|------|-------------|------|-----------------------|
| 1 | 1-633605 | 2 | Fitting-HYD, 90 DEG | 13 | 3256-23 | 7 | Washer-Plain |
| 1:1 | 1-603992 | 1 | O-Ring | 14 | 322-3 | 8 | Screw-HH |
| 1:2 | 237-80 | 1 | O-Ring | 15 | 3230-23 | 3 | Screw-CARR |
| 2 | 108-5323 | 2 | Fitting-Elbow-90 | 16 | 108-5367-03 | 1 | Plate-Shield, Pump |
| 2:1 | 1-603992 | 1 | O-Ring | 17 | 3256-24 | 2 | Washer-Flat |
| 2:2 | 237-80 | 1 | O-Ring | 18 | 103-2153 | 1 | Fitting-90 DEG |
| 3 | 108-5320 | 1 | Hydraulic Tank ASM | 18:1 | 1-603920 | 1 | O-Ring |
| 3:1 | | 1 | Tank-Hydraulic ● | 18:2 | 1-603992 | 1 | O-Ring |
| 3:1:1 | 103-1948 | 1 | Cap-Reservoir, HYD | 19 | 109-6449 | 2 | Fitting-Elbow, 90 |
| 3:1:2 | 103-1949 | 1 | Gasket-Cap | 19:1 | 237-42 | 1 | O-Ring |
| 3:2 | 115-4212 | 1 | Decal-Warning | 20 | 323-8 | 2 | Screw-HH |
| 4 | 108-5352-03 | 1 | Bracket-Tank, Hydraulic | 21 | 3290-357 | 2 | Nut-HHF, Whiz |
| 7 | 32128-20 | 11 | Nut-HF | 22 | 86-9080 | 1 | Head-Filter |
| 8 | 107-3462-03 | 1 | Bracket-Pump, Front | 23 | 67-8110 | 1 | Cartridge-Filter, Oil |
| 9 | 107-9885 | 1 | Tandem Pump ASM | 24 | 1-805004 | 2 | Washer-Lock |
| 10 | 110-0824 | 4 | R-Clamp | 25 | 321-3 | 2 | Screw-HH |
| 11 | 322-5 | 4 | Screw-HH | 27 | 112-8357 | 1 | HYD Motor ASM (CCW) |
| 12 | 114-8168 | 1 | Cooler-Oil, Hydro | 28 | 112-8358 | 1 | HYD Motor ASM (CW) |

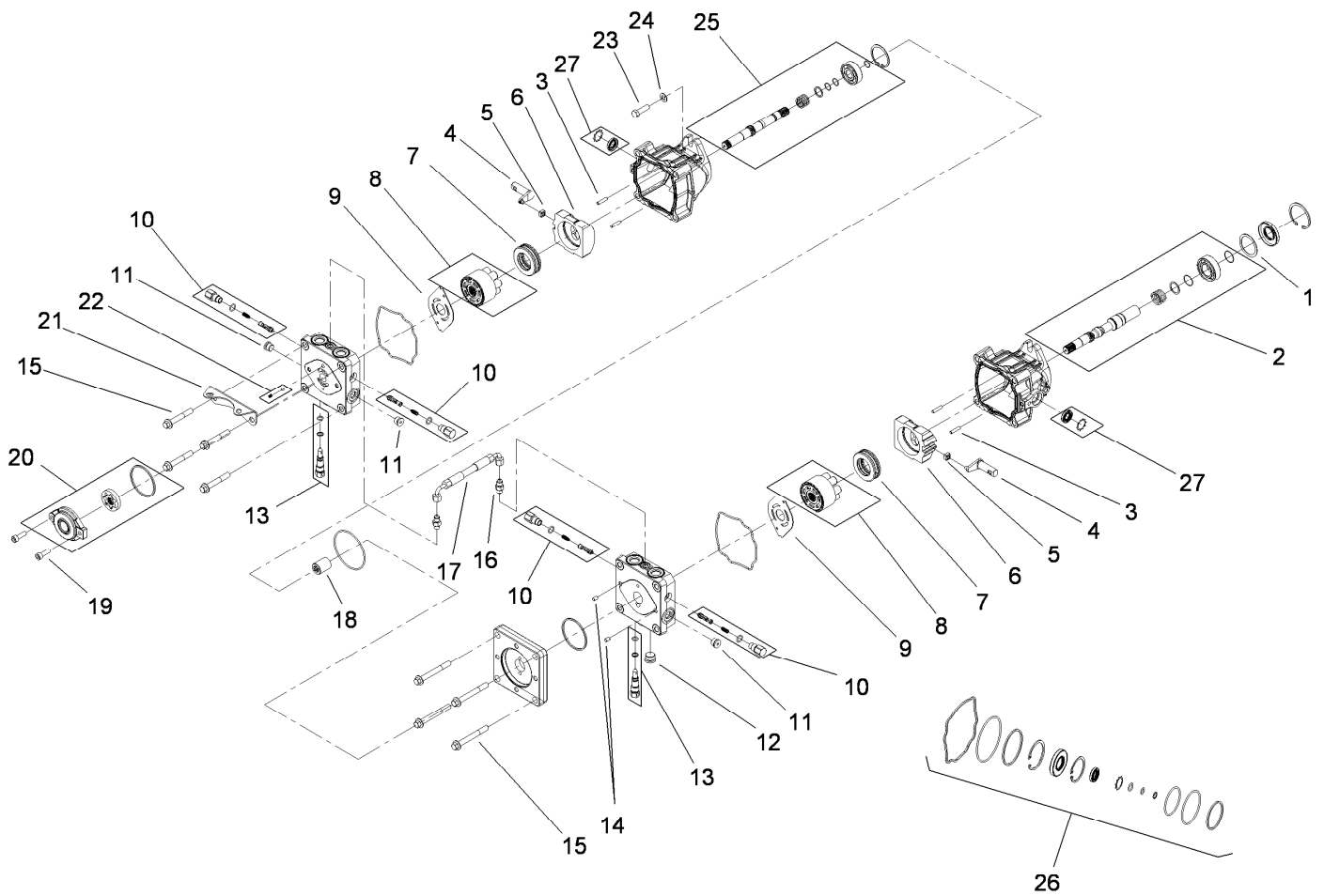
● Not serviced separately



Hydraulic Tank, Pump and Motor Assembly (continued)

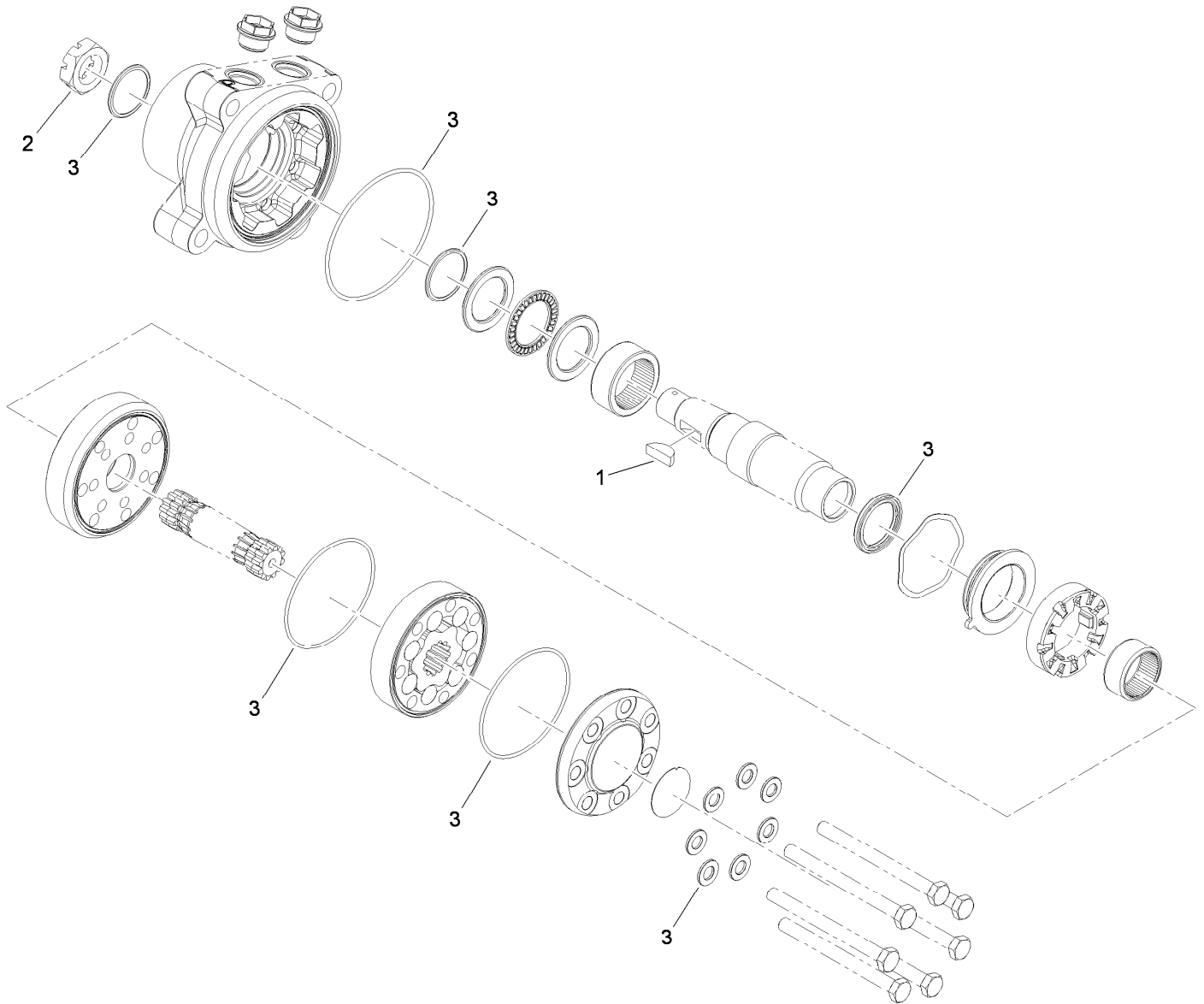
| Ref. | Part Number | Qty. | Description | Ref. | Part Number | Qty. | Description |
|------|-------------|------|-----------------------|------|-------------|------|---------------------|
| 29 | 3296-29 | 4 | Nut-Lock, NI | 32:1 | 237-79 | 1 | O-Ring |
| 30 | 1-603990 | 4 | Fitting-Straight | 33 | 109-6801 | 5 | Clamp-Hose |
| 30:1 | 1-603920 | 1 | O-Ring | 34 | 1-523221 | 1 | Fitting-HYD, 45 DEG |
| 30:2 | 1-603992 | 1 | O-Ring | 34:1 | 1-603920 | 1 | O-Ring |
| 31 | 2412-147 | 1 | Clamp-R | 34:2 | 1-603992 | 1 | O-Ring |
| 32 | 108-5316 | 1 | Fitting-Elbow, 90 DEG | | | | |

● Not serviced separately



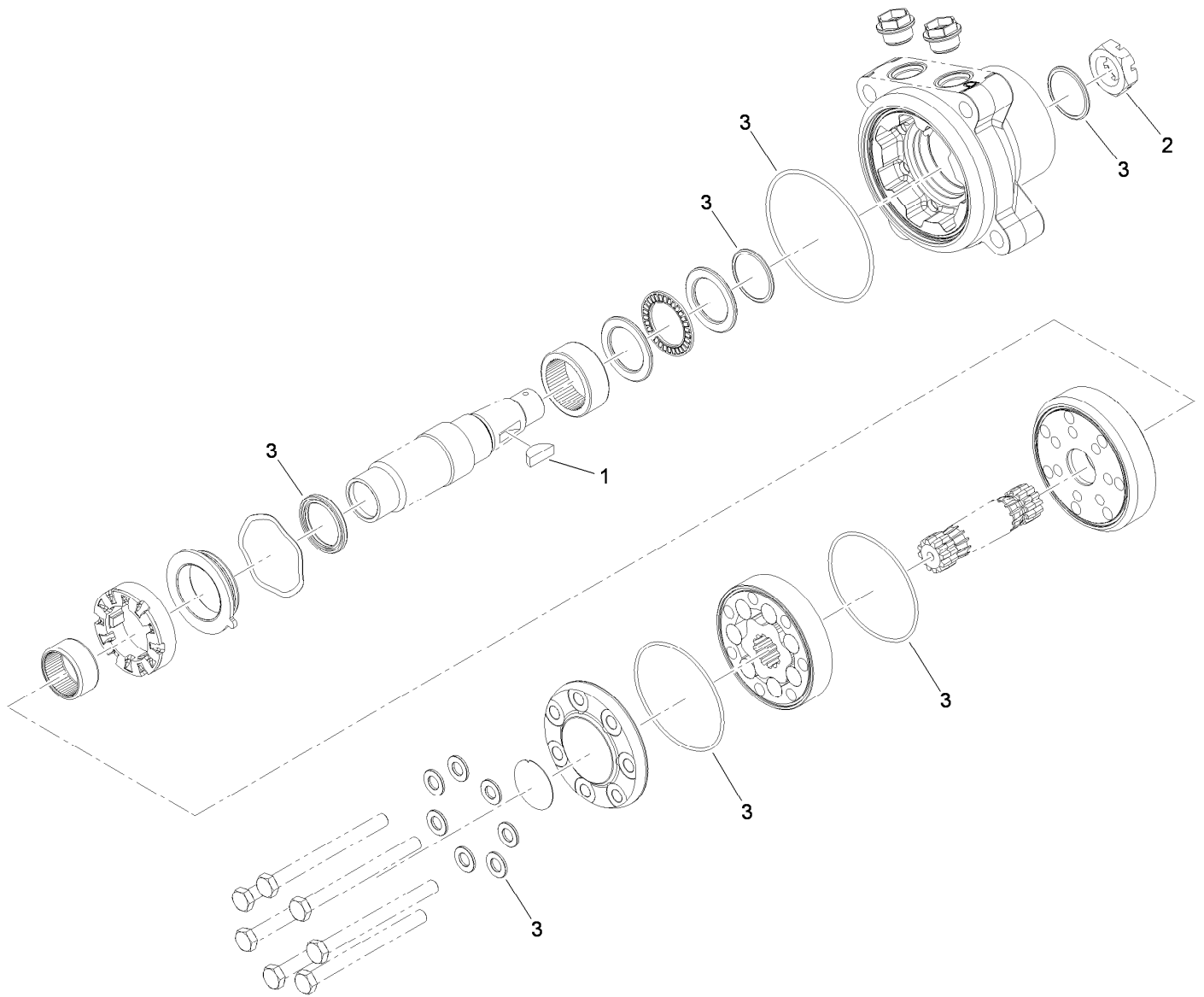
Tandem Pump Assembly No. 107-9885

| Ref. | Part Number | Qty. | Description | Ref. | Part Number | Qty. | Description |
|------|-------------|------|------------------------|------|-------------|------|-----------------------|
| 1 | 112-4168 | 1 | Spacer | 15 | 112-4157 | 8 | Bolt |
| 2 | 112-4151 | 1 | Input Pump Shaft Kit | 16 | 117-7842 | 2 | Fitting-Straight |
| 3 | 106-8753 | 4 | Pin-Headless, Straight | 17 | 117-7843 | 1 | Hose ASM |
| 4 | 112-4152 | 2 | Arm-Trunnion | 18 | 112-4160 | 1 | Coupling |
| 5 | 94-1910 | 2 | Guide-Slot | 19 | 112-4161 | 2 | Bolt |
| 6 | 112-4153 | 2 | Swashplate | 20 | 112-4162 | 1 | Charge Pump Kit |
| 7 | 112-4154 | 2 | Bearing-Thrust | 21 | 112-4163 | 1 | Bracket-Support, Pump |
| 8 | 108-2112 | 2 | Cylinder Block Kit | 22 | 112-4164 | 1 | Charge Relief Kit |
| 9 | 108-6801 | 2 | Plate-Valve | 23 | 112-4165 | 2 | Bolt-HSH |
| 10 | 112-4155 | 4 | Shock Valve Kit | 24 | 112-4166 | 2 | Washer |
| 11 | 104-2189 | 3 | Plug-Thread, Straight | 25 | 112-4167 | 1 | Second Pump Shaft Kit |
| 12 | 112-4156 | 1 | Plug-Steel | 26 | 112-4150 | 1 | Overhaul Seal Kit |
| 13 | 106-8759 | 2 | Bypass Valve Kit | 27 | 114-8155 | 1 | Trunnion Seal Kit |
| 14 | 104-2170 | 2 | Pin | | | | |



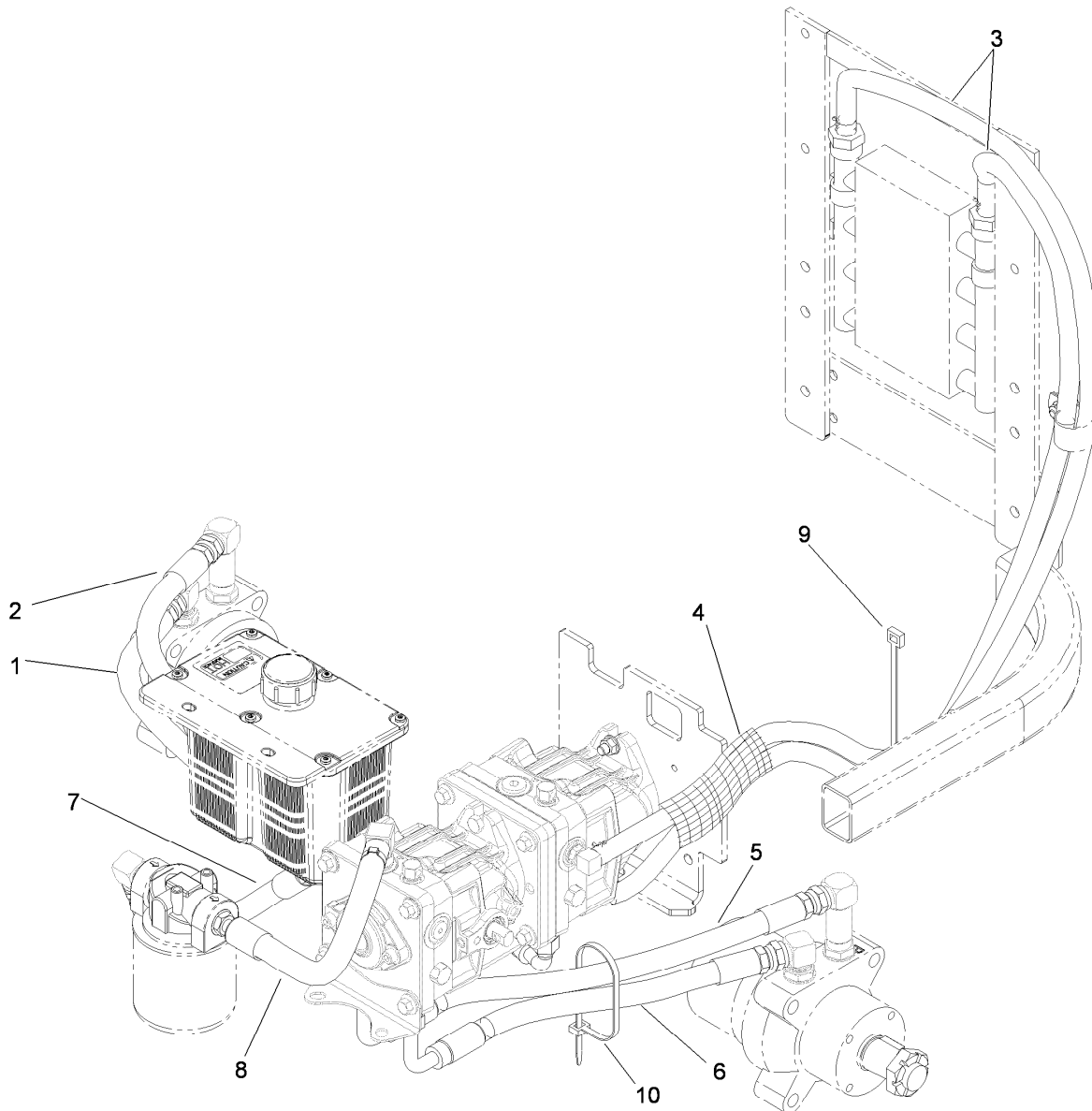
Hydraulic Motor Assembly No. 112-8358 (CW)

| <i>Ref.</i> | <i>Part Number</i> | <i>Qty.</i> | <i>Description</i> |
|-------------|--------------------|-------------|----------------------|
| 1 | 3257-42 | 1 | Key-Woodruff |
| 2 | 1-809036 | 1 | Nut-HH |
| 3 | 109-5966 | 1 | Wheel Motor Seal Kit |



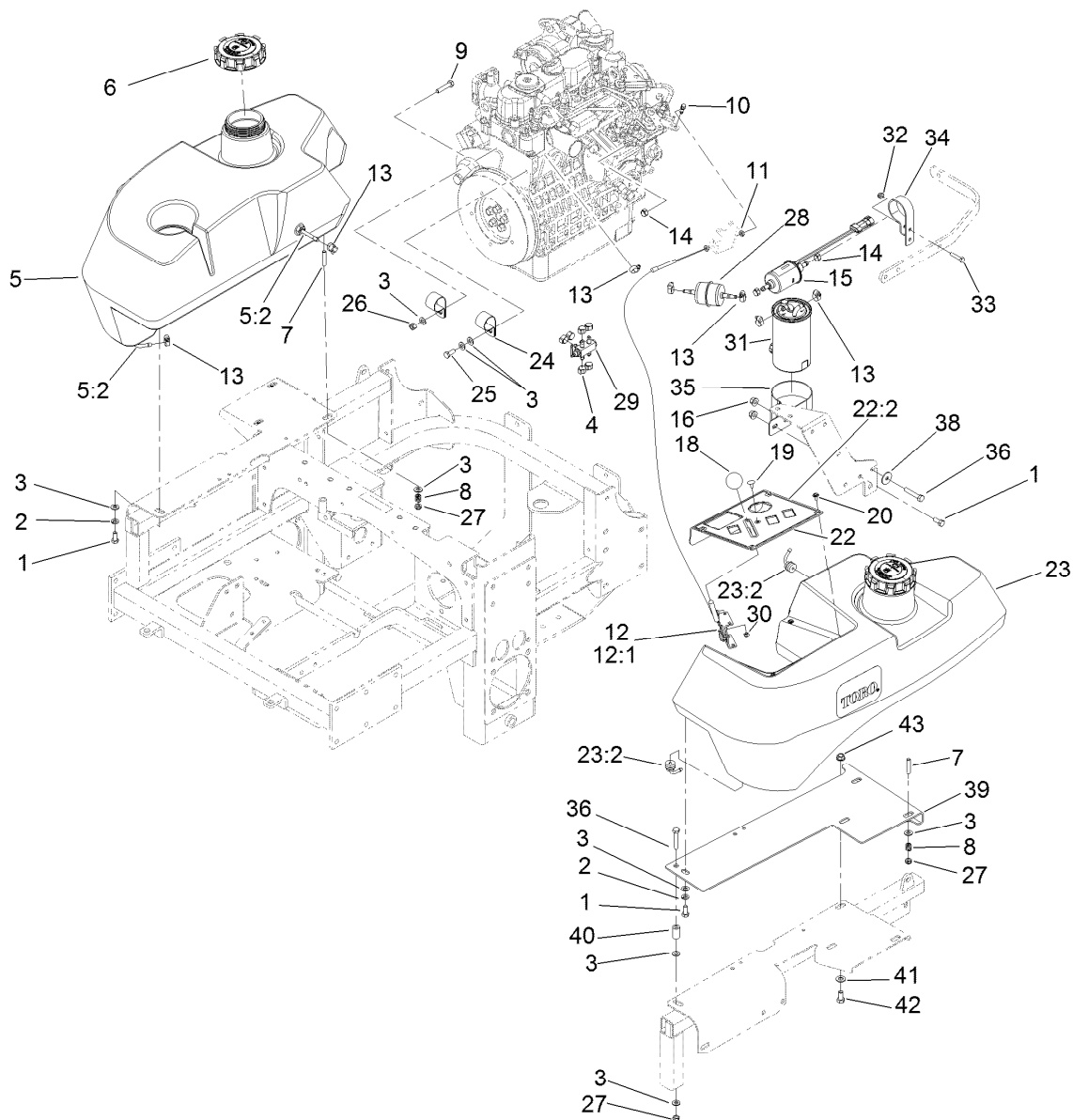
Hydraulic Motor Assembly No. 112-8357 (CCW)

| <i>Ref.</i> | <i>Part Number</i> | <i>Qty.</i> | <i>Description</i> |
|-------------|--------------------|-------------|----------------------|
| 1 | 3257-42 | 1 | Key-Woodruff |
| 2 | 1-809036 | 1 | Nut-HH |
| 3 | 109-5966 | 1 | Wheel Motor Seal Kit |



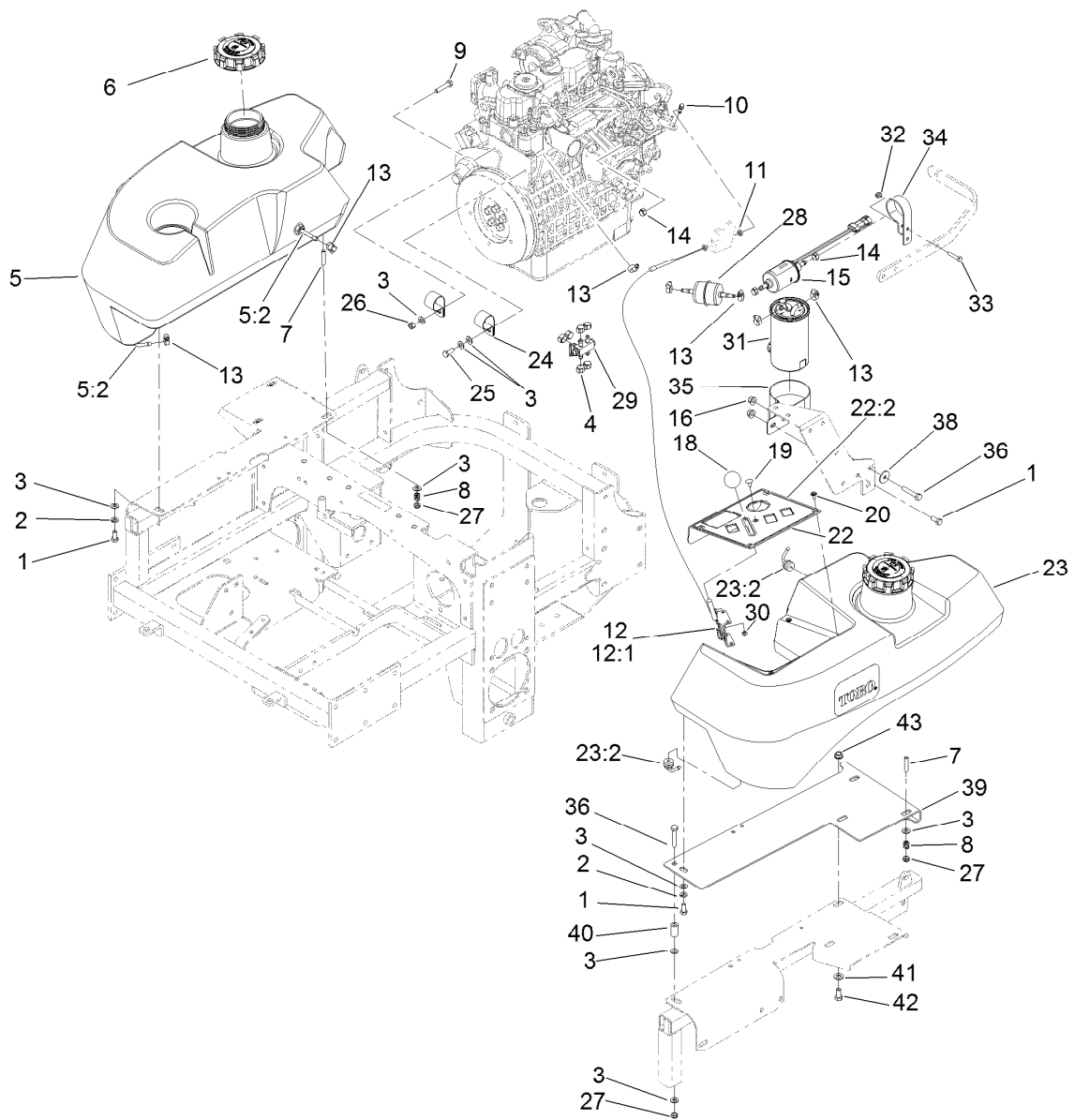
Hydraulic Hose Assembly

| <i>Ref.</i> | <i>Part Number</i> | <i>Qty.</i> | <i>Description</i> |
|-------------|--------------------|-------------|--------------------|
| 1 | 107-3495 | 1 | Hydraulic Hose ASM |
| 2 | 107-3490 | 1 | Hydraulic Hose ASM |
| 3 | 114-8169 | 2 | Hose-Hydraulic |
| 4 | 114-8201 | 1 | Sleeve-Fabric |
| 5 | 108-5318 | 1 | Hydraulic Hose ASM |
| 6 | 114-8165 | 1 | Hydraulic Hose ASM |
| 7 | 110-3854 | 1 | Hydraulic Hose ASM |
| 8 | 108-5374 | 1 | Hydraulic Hose ASM |
| 9 | 1-303335 | 1 | Tie-Plastic |
| 10 | 1-809066 | 1 | Cable Tie-Plastic |



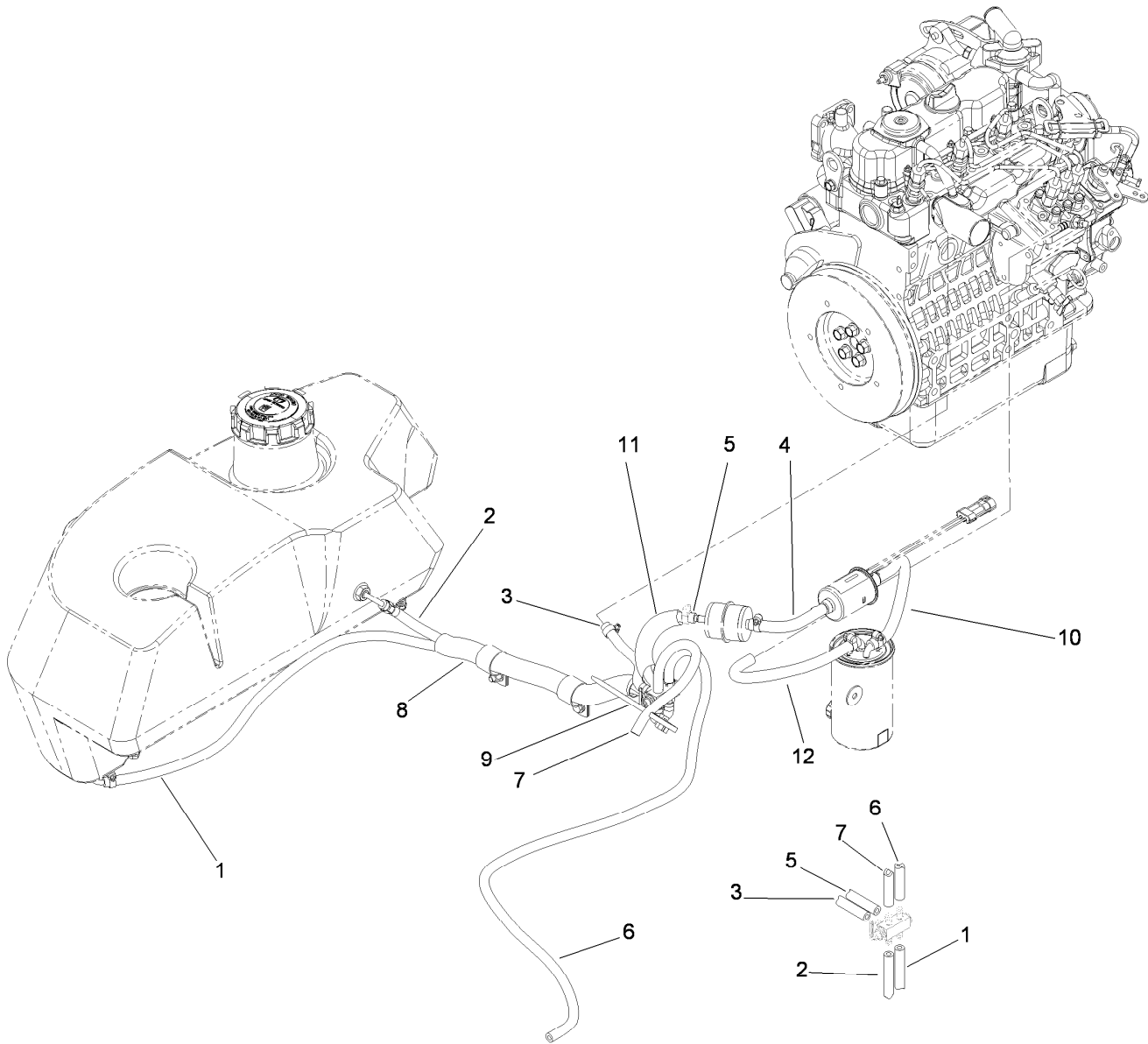
Fuel System and Throttle Control Assembly

| Ref. | Part Number | Qty. | Description | Ref. | Part Number | Qty. | Description |
|------|-------------|------|------------------------|------|-------------|------|----------------------------|
| 1 | 322-3 | 3 | Screw-HH | 22 | 117-0913 | 1 | Control Panel ASM |
| 2 | 1-805005 | 2 | Washer-Lock | 22:2 | 121-7562 | 1 | Decal-Panel, Control |
| 3 | 3256-23 | 13 | Washer-Plain | 23 | 114-8222 | 1 | LH Fuel Tank ASM |
| 4 | 1-643293 | 6 | Clamp-Hose, Fuel | 23:2 | 103-2615 | 2 | Fitting-Fuel, Bulkhead |
| 5 | 114-8221 | 1 | RH Fuel Tank ASM | 24 | 1-643312 | 2 | Clip-Loom |
| 5:2 | 103-2615 | 2 | Fitting-Fuel, Bulkhead | 25 | 33114-020 | 1 | Screw-HH |
| 6 | 114-8214 | 2 | Biodiesel Cap ASM | 26 | 3296-29 | 1 | Nut-Lock, NI |
| 7 | 1-633023 | 6 | Stud | 27 | 3296-47 | 7 | Nut-Lock, NI |
| 8 | 1-633349 | 6 | Spring-Tank, Fuel | 28 | 112-7836 | 1 | Filter-Inline |
| 9 | 322-7 | 1 | Screw-HH | 29 | 1-643234 | 1 | Valve-Fuel, Dual Flow |
| 10 | 108-5928 | 1 | Swivel-Stop, Cable | 30 | 3296-2 | 2 | Nut-Lock, NI |
| 11 | 3220-1 | 2 | Nut-Jam | 31 | 112-9188 | 1 | Element-Filter, Fuel/Water |
| 12 | 117-3850 | 1 | Throttle Control ASM | 32 | 104-7201 | 1 | Nut-HF |
| 12:1 | 112-2334 | 1 | Lever-Throttle | 33 | 321-8 | 1 | Screw-HH |
| 13 | 2412-108 | 9 | Clamp-Worm | 34 | 110-8817 | 1 | Bracket-Pump, Fuel |
| 14 | 1-643277 | 3 | Clamp-Hose, Fuel | 35 | 110-8807 | 1 | Bracket-Filter, Fuel |
| 15 | 110-8806 | 1 | Pump-Fuel | 36 | 322-9 | 2 | Screw-HH |
| 16 | 3296-58 | 2 | Nut-Lock, NI | 38 | 3256-82 | 1 | Washer-Flat |
| 18 | 1-603175 | 1 | Knob-Ball | 39 | 114-1545-03 | 1 | Bracket-Fuel Tank, LH |
| 19 | 1-807513 | 2 | Bolt-CARR | 40 | 94-7564 | 1 | Spacer |
| 20 | 109-2661 | 4 | Screw-PPH | 41 | 3256-24 | 2 | Washer-Flat |



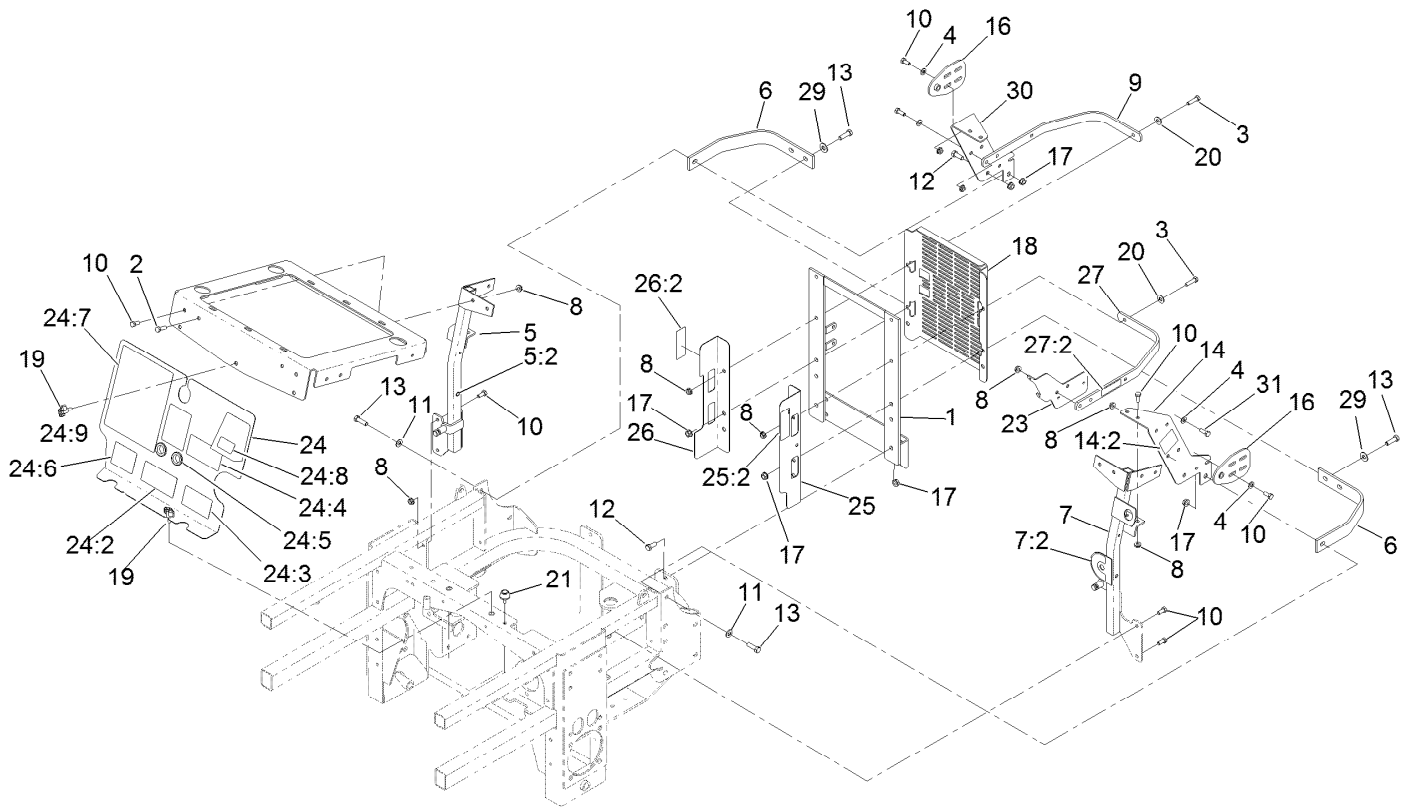
Fuel System and Throttle Control Assembly (continued)

| <i>Ref.</i> | <i>Part Number</i> | <i>Qty.</i> | <i>Description</i> |
|-------------|--------------------|-------------|--------------------|
| 42 | 323-4 | 2 | Screw-HH |
| 43 | 3290-357 | 2 | Nut-HHF, Whiz |



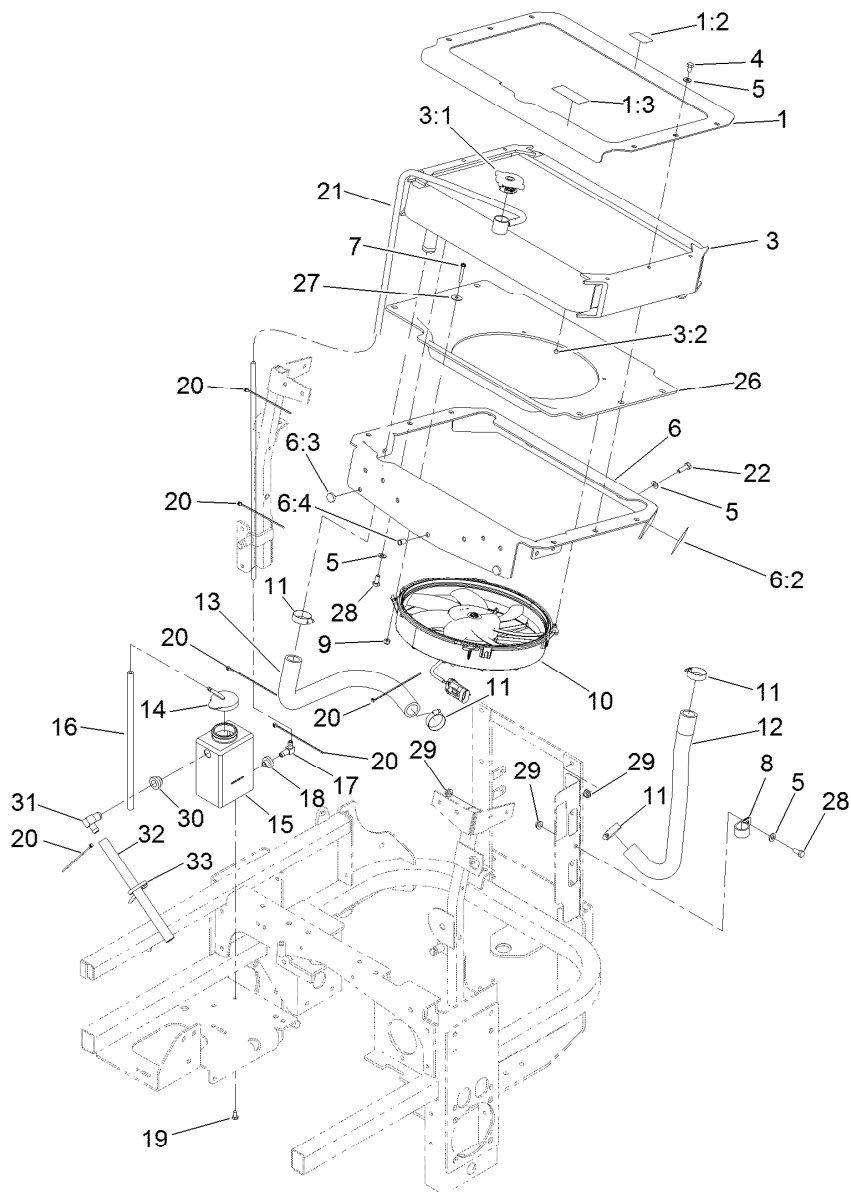
Fuel Line Assembly

| Ref. | Part Number | Qty. | Description |
|------|-------------|------|-------------------|
| 1 | 108-5376 | 1 | Hose-Fuel |
| 2 | 109-0301 | 1 | Hose-Fuel |
| 3 | 109-0306 | 1 | Hose-Fuel |
| 4 | 108-3283 | 1 | Hose-Fuel |
| 5 | 109-0303 | 1 | Hose-Fuel |
| 6 | 109-0275 | 1 | Hose-Fuel |
| 7 | 109-0297 | 1 | Hose-Fuel |
| 8 | 108-5377 | 1 | Sleeve-Fabric |
| 9 | 1-303335 | 1 | Tie-Plastic |
| 10 | 110-4124 | 1 | Hose-Fuel |
| 11 | 114-8224 | 1 | Conduit-Fuel Line |
| 12 | 110-4105 | 1 | Hose-Fuel |



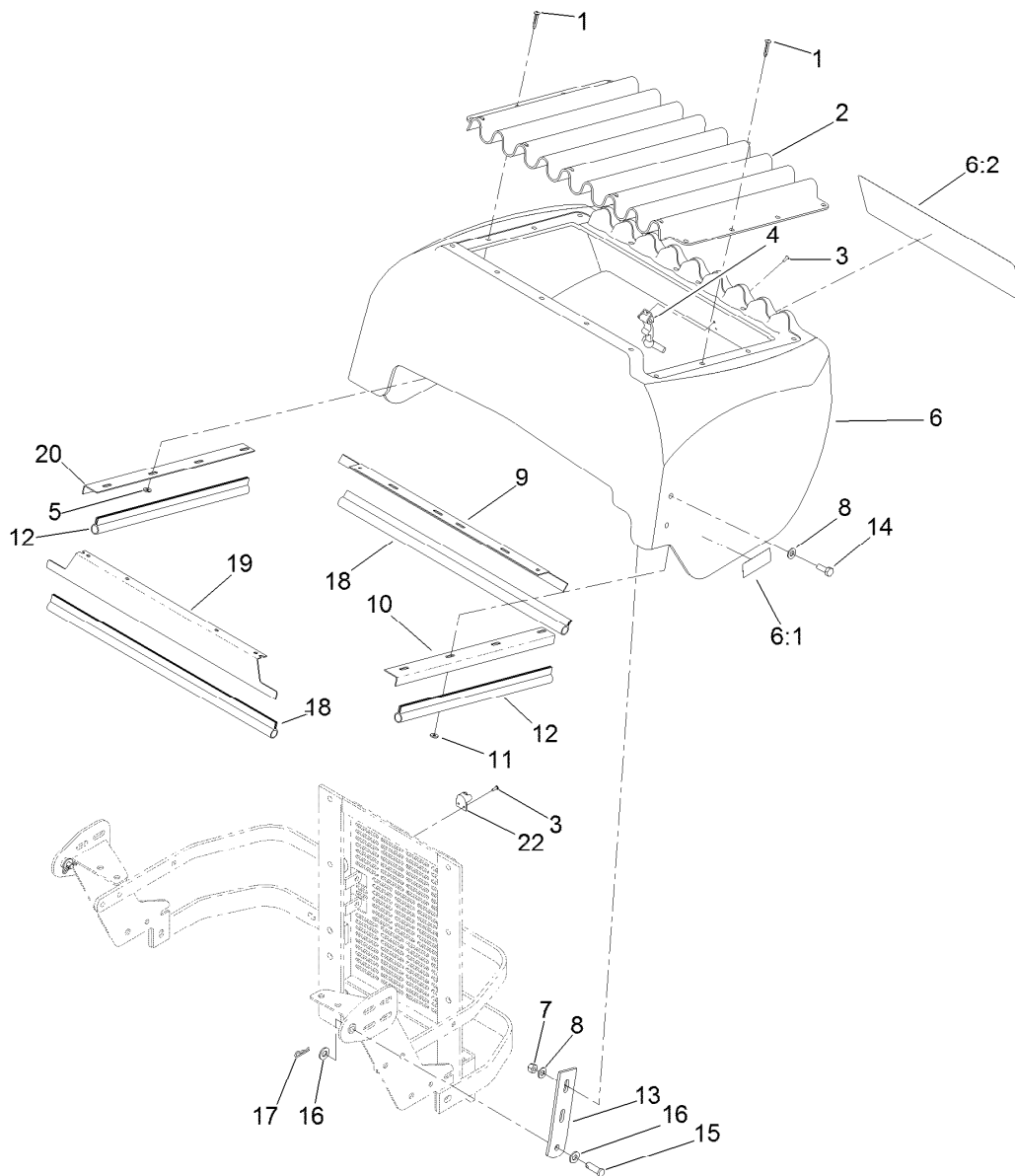
Engine Housing Assembly

| <i>Ref.</i> | <i>Part Number</i> | <i>Qty.</i> | <i>Description</i> | <i>Ref.</i> | <i>Part Number</i> | <i>Qty.</i> | <i>Description</i> |
|-------------|--------------------|-------------|------------------------|-------------|--------------------|-------------|--------------------------------|
| 1 | 107-9934-03 | 1 | Support-Radiator, Rear | 21 | 109-2365 | 2 | Bumper-Rubber |
| 2 | 322-5 | 2 | Screw-HH | 23 | 119-0393-03 | 1 | Bracket-Relay, Fuse |
| 3 | 322-6 | 2 | Screw-HH | 24 | 108-5936 | 1 | Front Engine Shield ASM |
| 4 | 3256-23 | 8 | Washer-Plain | 24:2 | 110-3853 | 1 | Decal-Danger, Rotating Devices |
| 5 | 114-1170 | 1 | RH Radiator Brace ASM | 24:3 | 108-5955 | 1 | Decal-Routing, Hydro Belt |
| 5:2 | 32148-11 | 1 | Nut-Clinch | 24:4 | 110-3852 | 1 | Decal- Warning, Buzzer |
| 6 | 103-7623-03 | 2 | Strap-Guard | 24:5 | 100-3815 | 2 | Grommet-Rubber |
| 7 | 110-3870 | 1 | LH Radiator Brace ASM | 24:6 | 108-5957 | 1 | Decal-Routing, Clutch Belt |
| 7:2 | 107-2114 | 1 | Decal-Valve, Fuel | 24:7 | 110-3851 | 1 | Decal-Check, Service |
| 8 | 32128-20 | 22 | Nut-HF | 24:8 | 110-0806 | 1 | Decal-Caution |
| 9 | 114-8223-03 | 1 | Top-Rib | 24:9 | 104-2449 | 1 | Decal-Coolant |
| 10 | 322-3 | 14 | Screw-HH | 25 | 110-0879 | 1 | Guard-Fan, LH (CE) |
| 11 | 3256-24 | 3 | Washer-Flat | 25:2 | 107-7719 | 1 | Decal-Danger |
| 12 | 323-6 | 3 | Screw-HH | 26 | 110-0888 | 1 | Guard-Fan, RH (CE) |
| 13 | 323-7 | 4 | Screw-HH | 26:2 | 107-7719 | 1 | Decal-Danger |
| 14 | 119-6650 | 1 | LH Support Bracket ASM | 27 | 119-0399 | 1 | Top Strap ASM |
| 14:2 | 119-0398 | 1 | Decal-Fuse | 27:2 | 119-0397 | 1 | Decal-Relay |
| 16 | 108-5345-03 | 2 | Plate-Pivot, Hood | 29 | 3256-4 | 2 | Washer-Flat |
| 17 | 3290-357 | 7 | Nut-HHF, Whiz | 30 | 108-5339-03 | 1 | Bracket-Support, RH |
| 18 | 112-8302-03 | 1 | Shield-Cooler | 31 | 322-4 | 4 | Screw-HH |
| 19 | 98-8332 | 3 | Knob | | | | |
| 20 | 3256-3 | 2 | Washer-Flat | | | | |



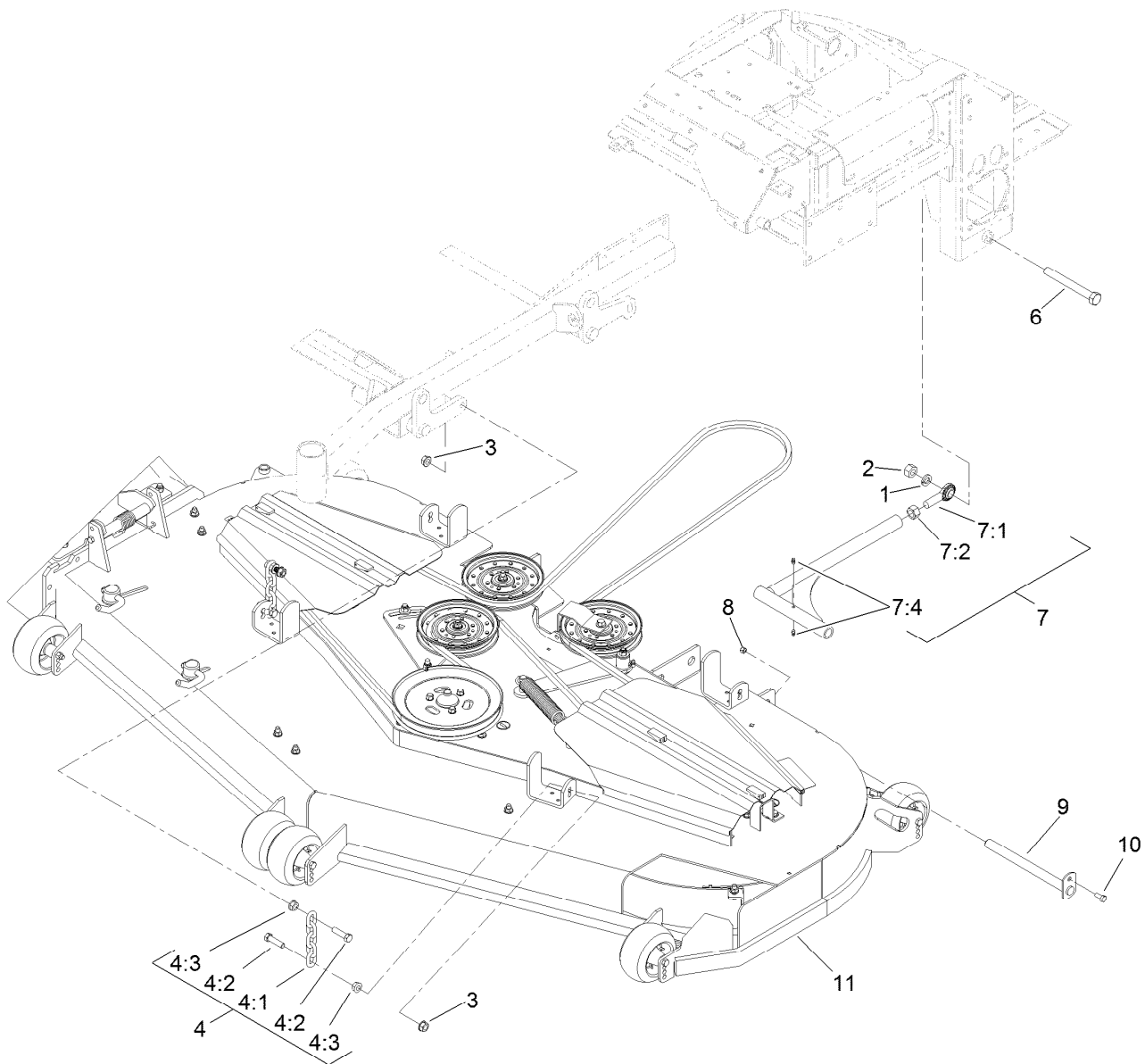
Cooling System Assembly

| Ref. | Part Number | Qty. | Description | Ref. | Part Number | Qty. | Description |
|------|-------------|------|------------------------|------|-------------|------|-----------------------|
| 1 | 112-8305 | 1 | Top Radiator Plate ASM | 13 | 112-8314 | 1 | Hose-Radiator, RH |
| 1:2 | 106-5517 | 1 | Decal-Warning | 14 | 1-643164 | 1 | Cap-Tank, Overflow |
| 1:3 | 110-3842 | 1 | Decal-Antifreeze | 15 | 117-0941 | 1 | Tank-Overflow |
| 3 | 108-5382 | 1 | Radiator ASM | 16 | 1-603954 | 1 | Hose-Line, Fuel |
| 3:1 | 114-8202 | 1 | Cap-Radiator | 17 | 46-6550 | 1 | Fitting-Elbow, 90 DEG |
| 3:2 | 99-8551 | 1 | Plug-Pipe | 18 | 1-513645 | 1 | Bushing-Valve, Fuel |
| 4 | 322-1 | 6 | Screw-HH | 19 | 321-2 | 2 | Screw-HH |
| 5 | 3256-23 | 16 | Washer-Plain | 20 | 1-303287 | 6 | Tie-Cable |
| 6 | 112-8306 | 1 | Bottom Rad Plate ASM | 21 | 103-1428 | 1 | Hose-Overflow |
| 6:2 | 107-7719 | 2 | Decal-Danger | 22 | 322-5 | 3 | Screw-HH |
| 6:3 | 32148-6 | 1 | Nut-Clinch | 26 | 112-8317 | 1 | Shroud |
| 6:4 | 1-513658 | 2 | Bumper | 27 | 3256-67 | 4 | Washer |
| 7 | 1-803067 | 4 | Screw | 28 | 322-3 | 10 | Screw-HH |
| 8 | 1-643312 | 1 | Clip-Loom | 29 | 32128-20 | 3 | Nut-HF |
| 9 | 1-804254 | 4 | Nut-Lock, HH | 30 | 104-0790 | 1 | Bushing |
| 10 | 112-4172 | 1 | Fan-Hi Performance | 31 | 117-0943 | 1 | Fitting-Elbow |
| 11 | 2412-34 | 4 | Clamp-Hose | 32 | 115-4969 | 1 | Hose-Overflow |
| 12 | 108-5372 | 1 | Hose-Radiator, LH | 33 | 1-303335 | 1 | Tie-Plastic |



Hood Assembly

| <i>Ref.</i> | <i>Part Number</i> | <i>Qty.</i> | <i>Description</i> | <i>Ref.</i> | <i>Part Number</i> | <i>Qty.</i> | <i>Description</i> |
|-------------|--------------------|-------------|------------------------|-------------|--------------------|-------------|------------------------------|
| 1 | 1-803072 | 17 | Rivet | 11 | 3256-14 | 12 | Washer-Flat |
| 2 | 1-633864-03 | 1 | Screen-Radiator | 12 | 1-643186 | 2 | Seal-Trim |
| 3 | 923786 | 4 | Rivet | 13 | 108-5337-03 | 2 | Plate-Hinge, Hood |
| 4 | 1-643188 | 1 | Latch-Rubber | 14 | 322-4 | 4 | Screw-HH |
| 5 | 1-303435 | 4 | Washer-Spring | 15 | 1-808285 | 2 | Pin-Clevis |
| 6 | 114-8225 | 1 | Hood ASM | 16 | 3256-24 | 4 | Washer-Flat |
| 6:1 | 114-9600 | 2 | Decal-Low Sulfur | 17 | 1-806003 | 2 | Pin-Cotter |
| 6:2 | 136-5521 | 1 | Decal | 18 | 1-643187 | 2 | Seal-Trim |
| 7 | 3296-29 | 4 | Nut-Lock, NI | 19 | 117-6166-03 | 1 | Bracket Seal, Radiator Front |
| 8 | 3256-23 | 8 | Washer-Plain | 20 | 1-643106-03 | 1 | Angle-Radiator, RH |
| 9 | 1-643108-03 | 1 | Angle-Radiator, Bottom | 22 | 249-40 | 1 | Keeper |
| 10 | 1-643105-03 | 1 | Angle-Radiator, LH | | | | |

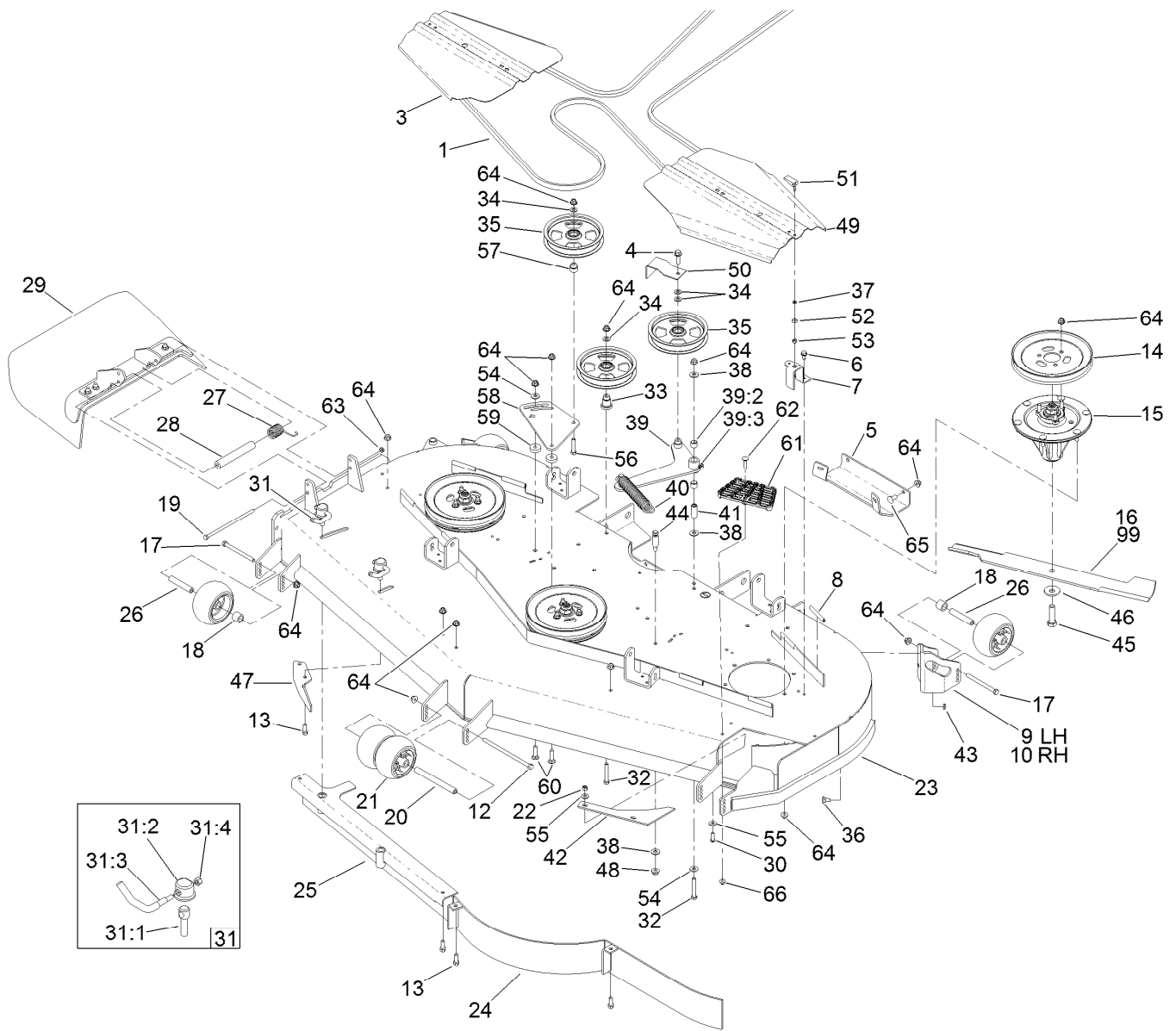


Deck Connection Assembly

| Ref. | Part Number | Qty. | Description |
|------|-------------|------|------------------|
| 1 | 3253-8 | 2 | Washer-Lock |
| 2 | 3217-11 | 2 | Nut-Hex |
| 3 | 32128-37 | 8 | Nut-HF |
| 4 | 103-9792 | 4 | Deck Chain ASM |
| 4:1 | 1-633447 | 1 | Chain-Lift, Deck |
| 4:2 | 103-1898 | 2 | Screw-HH |
| 4:3 | 32128-37 | 2 | Nut-HF |
| 6 | 327-28 | 2 | Screw-HH |

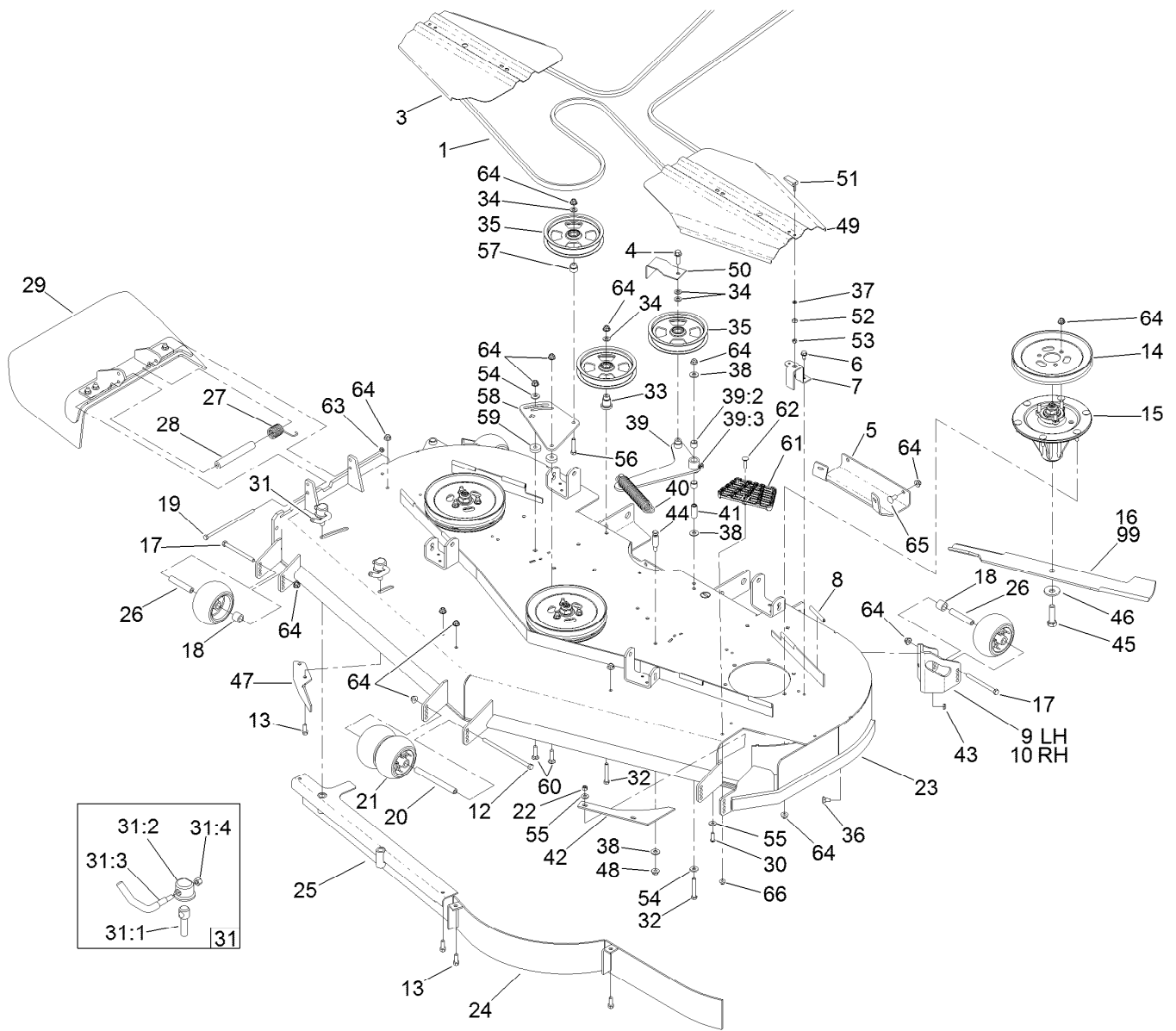
| Ref. | Part Number | Qty. | Description |
|------|-------------|------|---------------------|
| 7 | 108-5969 | 2 | Strut ASM |
| 7:1 | 1-633029 | 1 | Balljoint-Spherical |
| 7:2 | 3219-6 | 1 | Nut-Hex |
| 7:4 | 109-1380 | 1 | Fitting-Grease |
| 8 | 3296-29 | 2 | Nut-Lock, NI |
| 9 | 1-632199-01 | 2 | Pin-Strut |
| 10 | 322-3 | 2 | Screw-HH |
| 11 | | 1 | Deck ASM ● |

● Not serviced separately



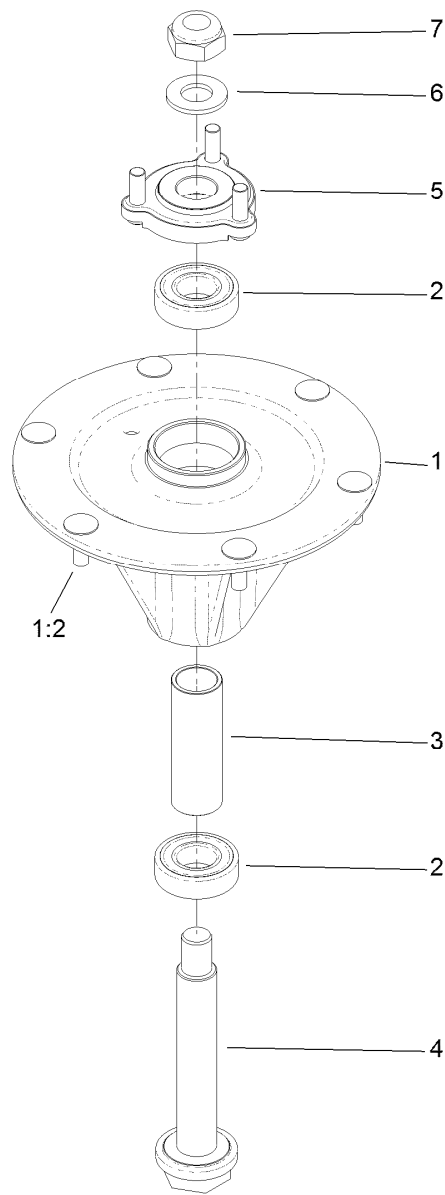
Deck Assembly

| Ref. | Part Number | Qty. | Description | Ref. | Part Number | Qty. | Description |
|------|-------------|------|--------------------------|------|-------------|------|----------------------|
| 1 | 105-7790 | 1 | Belt | 24 | 105-7730-01 | 1 | Baffle |
| 3 | 112-8667-03 | 1 | Cover-Belt, RH | 25 | 127-4858-01 | 1 | Baffle ASM |
| 4 | 3234-24 | 1 | Screw-HHF | 26 | 98-7912 | 4 | Tube-Spanner |
| 5 | 106-3279-01 | 1 | Plate-Skid | 27 | 108-4052 | 1 | Spring-Torsion |
| 6 | 32144-70 | 4 | Screw-HWHTF | 28 | 105-4622 | 1 | Spacer |
| 7 | 119-4220-01 | 4 | Bracket-Cover | 29 | 108-2792 | 1 | Rubber Deflector ASM |
| 8 | 105-7699 | 8 | Strip-Seal | 30 | 3274-104 | 2 | Screw-HSBH |
| 9 | 106-7354-01 | 1 | Mount-Wheel, LH | 31 | 107-1664 | 2 | Lever ASM |
| 10 | 106-7355-01 | 1 | Mount-Wheel, RH | 31:1 | 106-3239 | 1 | Screw-Lock |
| 12 | 108-5388 | 1 | Screw-HH | 31:2 | 107-1644 | 1 | Cap-Lock |
| 13 | 92-1624 | 6 | Screw-HWH | 31:3 | 106-3241 | 1 | Lever-Lock |
| 14 | 105-7733 | 3 | Pulley | 31:4 | 3296-29 | 1 | Nut-Lock, NI |
| 15 | 127-0560 | 3 | Spindle ASM | 32 | 323-12 | 2 | Screw-HH |
| 16 | 105-7784-03 | 3 | Blade-Hi Flow, 24.5 Inch | 33 | 106-3214 | 1 | Mount-Pulley |
| 17 | 323-23 | 4 | Screw-HH | 34 | 3256-24 | 4 | Washer-Flat |
| 18 | 98-7913 | 4 | Tube-Spacer | 35 | 132-9424 | 3 | Pulley-Idler, Flat |
| 19 | 322-50 | 1 | Screw-HH | 36 | 3231-1 | 6 | Screw-CARR |
| 20 | 98-5967 | 1 | Spacer-Wheel | 37 | 99-3058 | 4 | Washer |
| 21 | 1-603299 | 6 | Roller-Scalp, Anti | 38 | 3256-4 | 3 | Washer-Flat |
| 22 | 3296-29 | 2 | Nut-Lock, NI | 39 | 108-5949 | 1 | Deck Idler Arm ASM |
| 23 | 114-4483 | 1 | Deck Decal ASM | 39:2 | 103-4681 | 2 | Sleeve-Bearing |



Deck Assembly (continued)

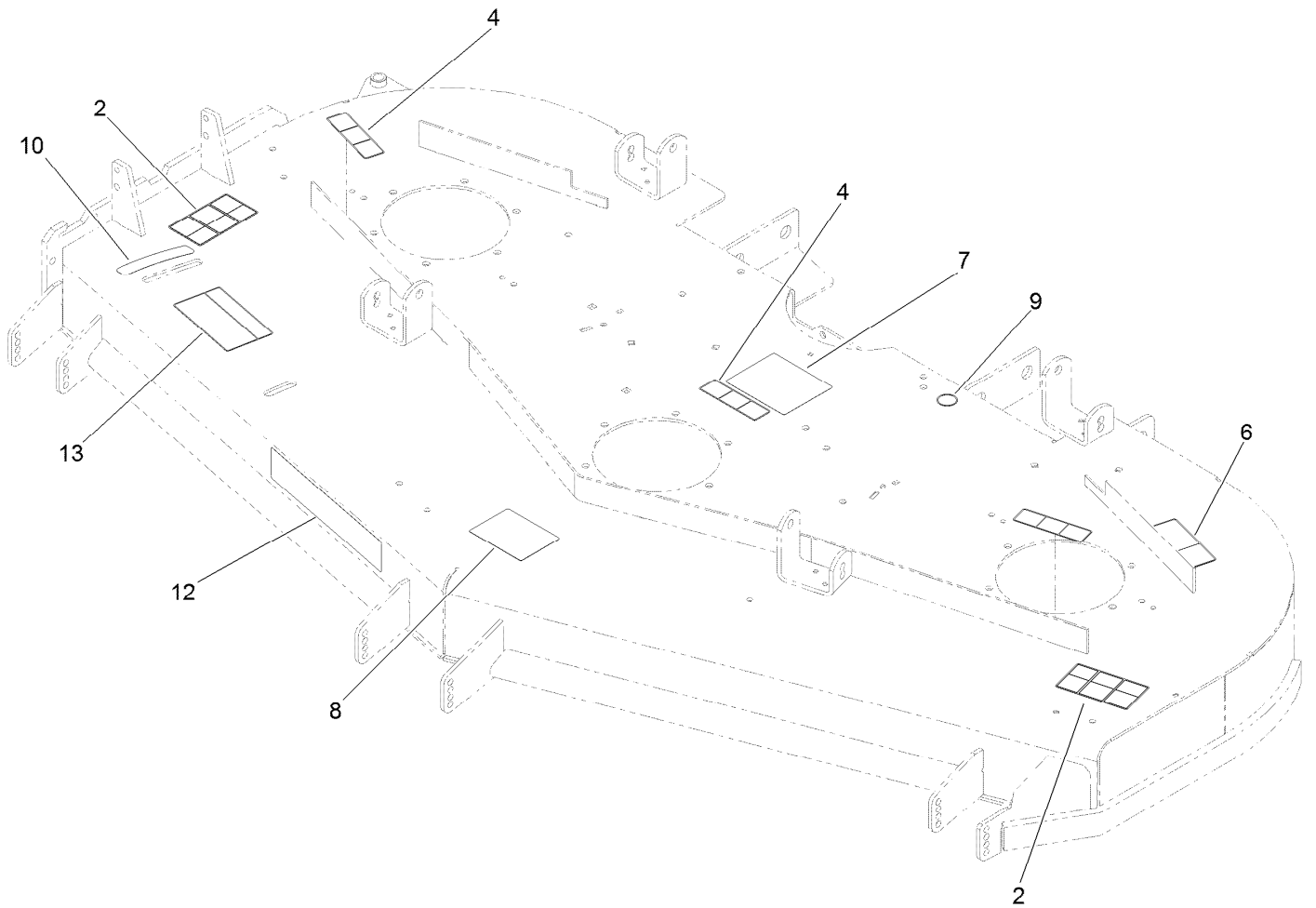
| Ref. | Part Number | Qty. | Description | Ref. | Part Number | Qty. | Description |
|------|-------------|------|-----------------------------|------|-------------|------|------------------------|
| 39:3 | 302-40 | 1 | Fitting-Grease, 90 DEG | 55 | 1-303334 | 4 | Washer-Spring |
| 40 | 119-0392 | 1 | Spring-Extension | 56 | 323-9 | 1 | Screw-HH |
| 41 | 1-603044 | 1 | Bushing | 57 | 1-603496 | 1 | Bushing-Idler |
| 42 | 107-3138 | 1 | Plate-Turbo | 58 | 105-7787-01 | 1 | Plate-Idler |
| 43 | 3296-59 | 6 | Nut-Lock, NI | 59 | 105-7788 | 2 | Spacer |
| 44 | 110-0801 | 1 | Pin-Threaded, Spring Anchor | 60 | 3231-4 | 2 | Screw-CARR |
| 45 | 51-4060 | 3 | Screw-Blade | 61 | 126-4781-03 | 1 | Step-Deck |
| 46 | 103-0865 | 3 | Washer-Blade Bolt, Heavy | 62 | 3230-3 | 1 | Screw-CARR |
| 47 | 106-3216-01 | 1 | Baffle-Discharge | 63 | 3296-47 | 1 | Nut-Lock, NI |
| 48 | 32128-19 | 1 | Nut-HF | 64 | 104-8301 | 47 | Nut-HF, NI |
| 49 | 112-8666-03 | 1 | Cover-Belt, LH | 65 | 3231-27 | 4 | Screw-CARR |
| 50 | 108-7220-01 | 1 | Guide-Belt | 66 | 104-8300 | 1 | Nut-HF, NI |
| 51 | 106-6777 | 4 | Handle-Latch, Swell | 99 | 105-7719-03 | 3 | Blade-Atomic, 24.5In |
| 52 | 106-6778 | 4 | Bushing-Latch, Swell | 99 | 105-7712-03 | 3 | Blade-Lo Flow, 24.5In |
| 53 | 1-804254 | 4 | Nut-Lock, HH | 99 | 105-7711-03 | 3 | Blade-Mid Flow, 24.5In |
| 54 | 98-5975 | 2 | Washer-Belleville | 99 | 105-7778-03 | 3 | Blade-Recycler, 24.5In |



Spindle Assembly No. 127-0560

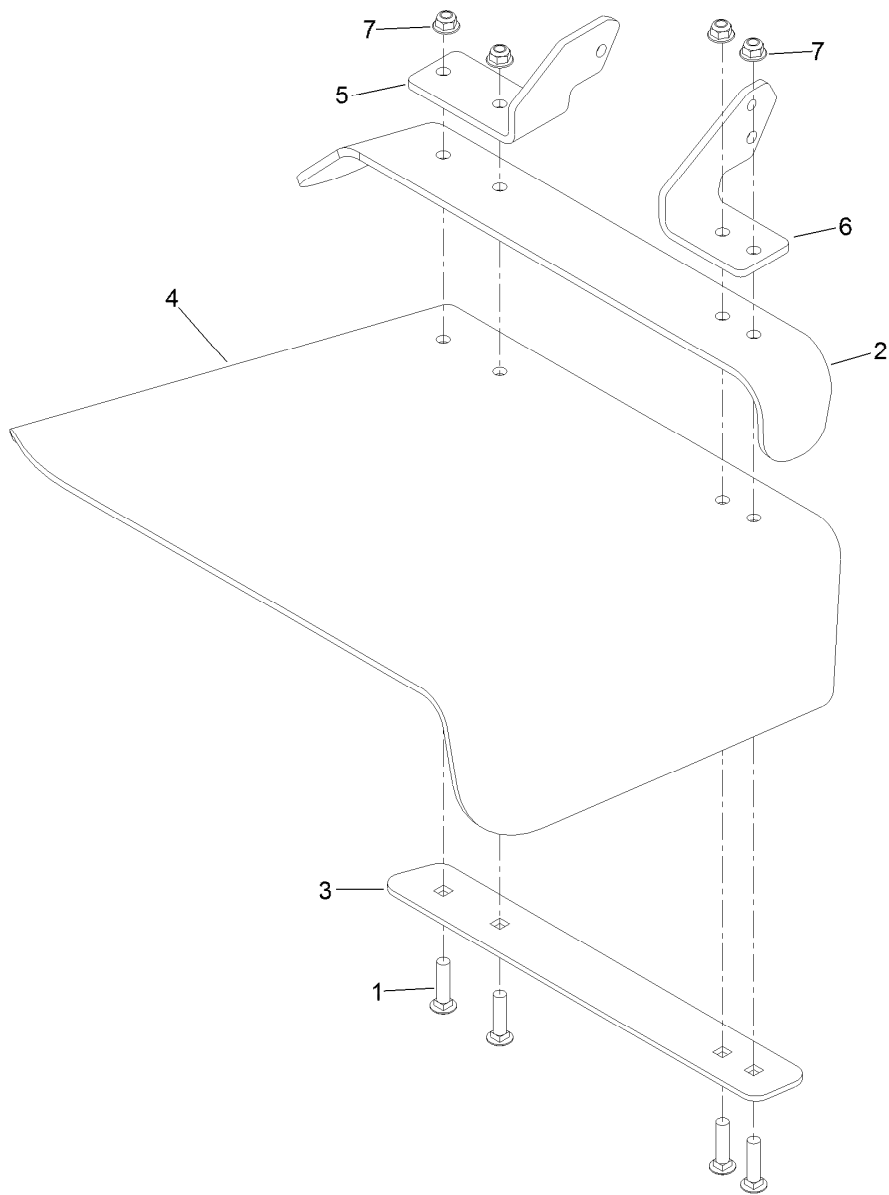
| <i>Ref.</i> | <i>Part Number</i> | <i>Qty.</i> | <i>Description</i> |
|-------------|--------------------|-------------|-------------------------------|
| 1 | | 1 | Spindle Housing ASM W/Studs ● |
| 1:2 | 114-8195 | 6 | Bolt-Neck, Ribbed |
| 2 | 116-0720 | 2 | Bearing-Ball |
| 3 | 127-0554 | 1 | Spacer-Bearing |
| 4 | 127-0556 | 1 | Shaft-Spindle, Ball Bearing |
| 5 | 127-0557 | 1 | Hub-Spindle (W/Studs) |
| 6 | 92-5836 | 1 | Washer |
| 7 | 3296-67 | 1 | Nut-Lock, NI |

● Not serviced separately



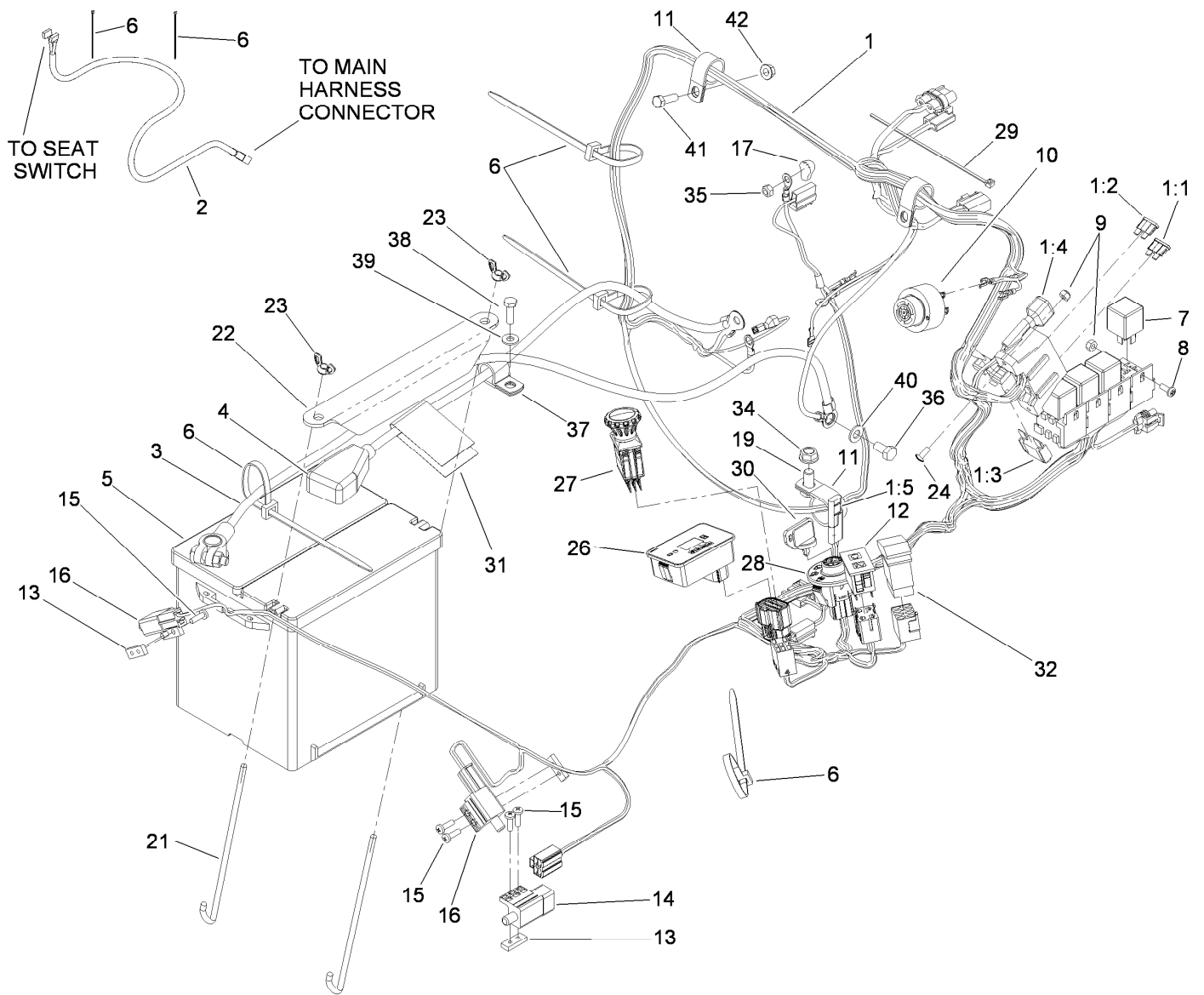
Deck Decal Assembly No. 114-4483

| <i>Ref.</i> | <i>Part Number</i> | <i>Qty.</i> | <i>Description</i> |
|-------------|--------------------|-------------|--------------------------|
| 2 | 117-3848 | 2 | Decal-Danger |
| 4 | 112-9028 | 3 | Decal-Cover, Missing |
| 6 | 93-7818 | 1 | Decal-Torque, Blade Bolt |
| 7 | 108-5981 | 1 | Decal-Routing, Belt |
| 8 | 127-0326 | 1 | Decal-Scalp, Anti |
| 9 | 58-6520 | 1 | Decal-Grease |
| 10 | 110-2067 | 1 | Decal-Setting, Baffle |
| 12 | 107-1620 | 1 | Decal |
| 13 | 110-2068 | 1 | Decal-Adjustment, Baffle |



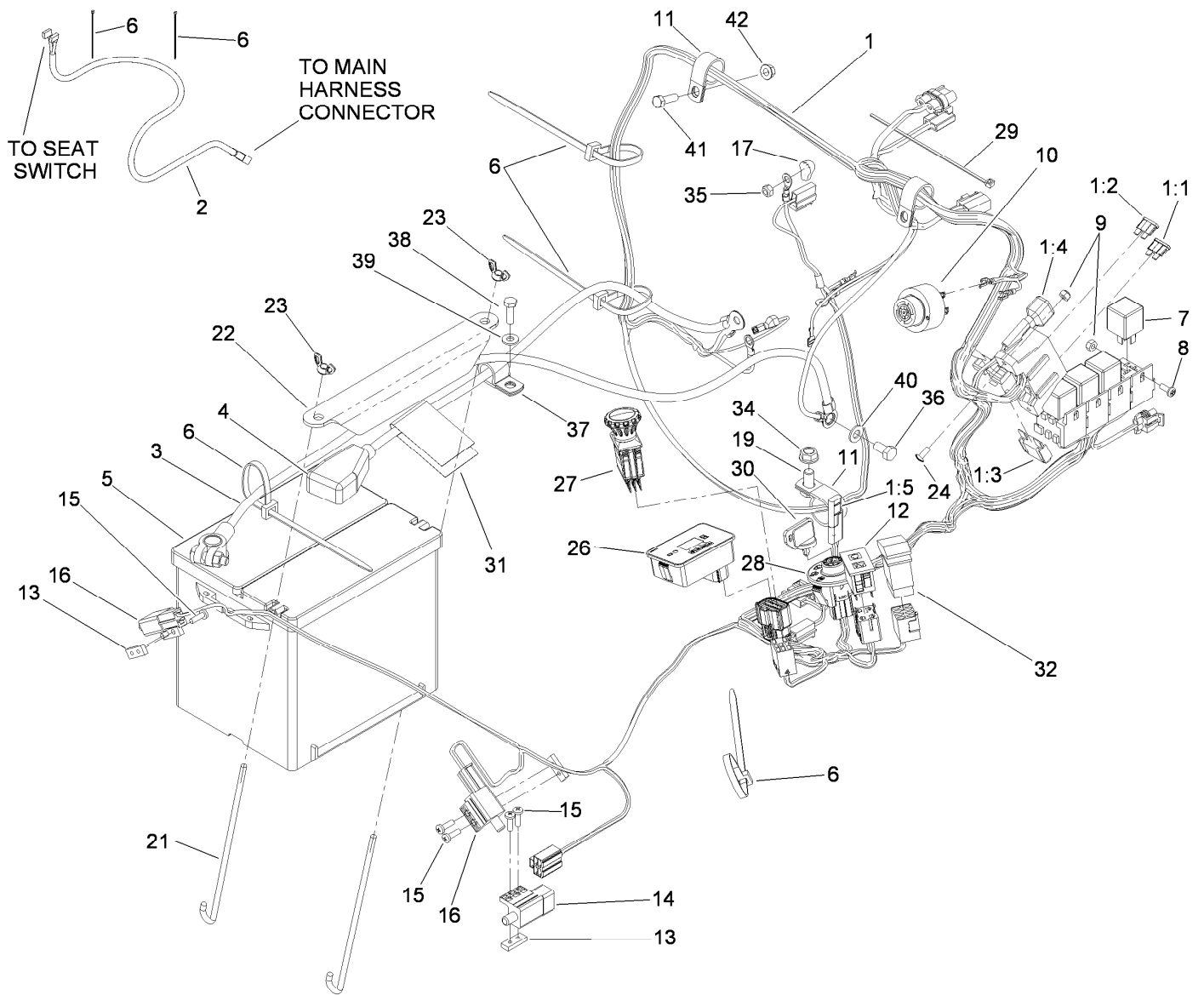
Rubber Deflector Assembly No. 108-2792

| <i>Ref.</i> | <i>Part Number</i> | <i>Qty.</i> | <i>Description</i> |
|-------------|--------------------|-------------|--------------------|
| 1 | 3231-4 | 4 | Screw-CARR |
| 2 | 106-3246-01 | 1 | Deflector |
| 3 | 106-3248-03 | 1 | Strap-Discharge |
| 4 | 108-5029 | 1 | Deflector-Rubber |
| 5 | 108-4059-01 | 1 | Plate-Hinge, Rear |
| 6 | 106-3253-01 | 1 | Plate-Hinge, Front |
| 7 | 104-8301 | 4 | Nut-HF, NI |



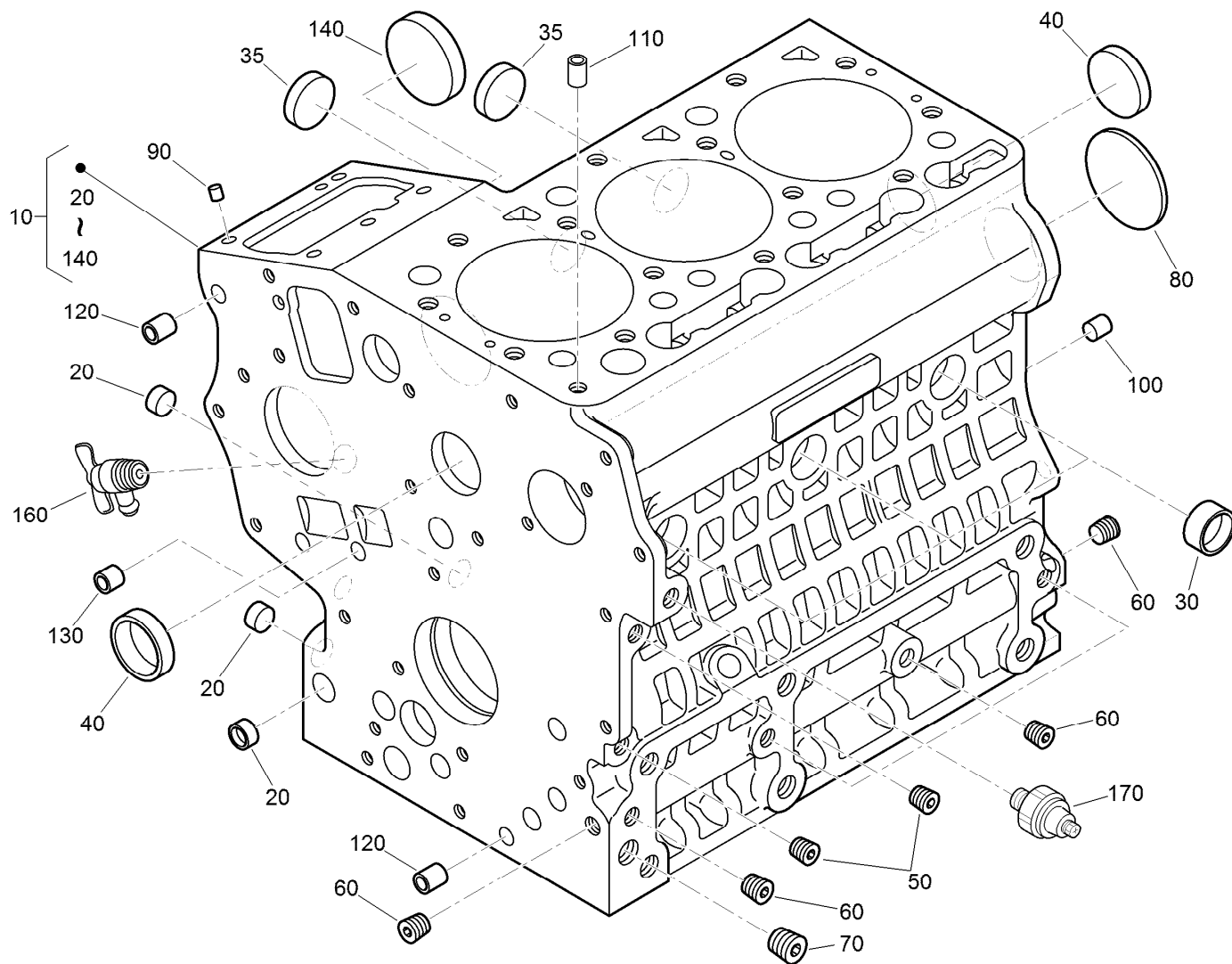
Electrical Assembly

| Ref. | Part Number | Qty. | Description | Ref. | Part Number | Qty. | Description |
|------|-------------|------|-------------------------|------|-------------|------|------------------------------|
| 1 | 119-0351 | 1 | Harness-Wire | 17 | 1-643178 | 1 | Cap-Insulator, Red |
| 1:1 | 218-578 | 1 | Fuse-Blade, 10 Amp | 19 | 323-4 | 1 | Screw-HH |
| 1:2 | 109103 | 1 | Fuse-Blade, 30 Amp | 21 | 103-1312 | 2 | Bolt-Holddown |
| 1:3 | 94-8002 | 1 | Fuse-Blade, 50 Amp | 22 | 103-1311-03 | 1 | Holddown-Battery |
| 1:4 | 100-4918 | 1 | Diode | 23 | 1-543792 | 2 | Wingnut |
| 1:5 | 116-0053 | 1 | Cap-Plug | 24 | 1-803075 | 2 | Screw-Head, Truss |
| 2 | 103-1227 | 1 | Harness-Wiring, Seat | 26 | 116-5609 | 1 | Module ASM |
| 3 | 110-0303 | 1 | Cable-Battery, Negative | 27 | 116-0124 | 1 | Switch-PTO, 10 Amp |
| 4 | 110-0304 | 1 | Cable-Battery, Positive | 28 | 137-4100 | 1 | Switch-Ignition |
| 5 | 106-5187 | 1 | Battery-Dry | 29 | 1-303287 | 1 | Tie-Cable |
| 6 | 1-303335 | 7 | Tie-Plastic | 30 | 63-8360 | 2 | Key-Ignition |
| 7 | 1-643275 | 4 | Relay | 31 | 107-9309 | 1 | Decal-Instructions, Charging |
| 8 | 1-803071 | 2 | Screw | 32 | 110-0811 | 1 | Switch-Rocker |
| 9 | 3296-2 | 4 | Nut-Lock, NI | 34 | 3290-357 | 1 | Nut-HHF, Whiz |
| 10 | 103-0205 | 1 | Alarm-Tone, Dual | 35 | 33023-00 | 1 | Nut-Lock |
| 11 | 1-643312 | 3 | Clip-Loom | 36 | 33114-016 | 1 | Screw-HH |
| 12 | 100-8071 | 1 | Lamp-Warning | 37 | 1-633396 | 2 | Clip-Loom |
| 13 | 1-633181 | 3 | Plate-Tapped | 38 | 321-5 | 2 | Screw-HH |
| 14 | 1-633111 | 1 | Switch | 39 | 3256-22 | 2 | Washer-Flat |
| 15 | 3290-500 | 6 | Screw-PPH | 40 | 3256-23 | 1 | Washer-Plain |
| 16 | 1-513051 | 2 | Switch-Open, Normally | | | | |



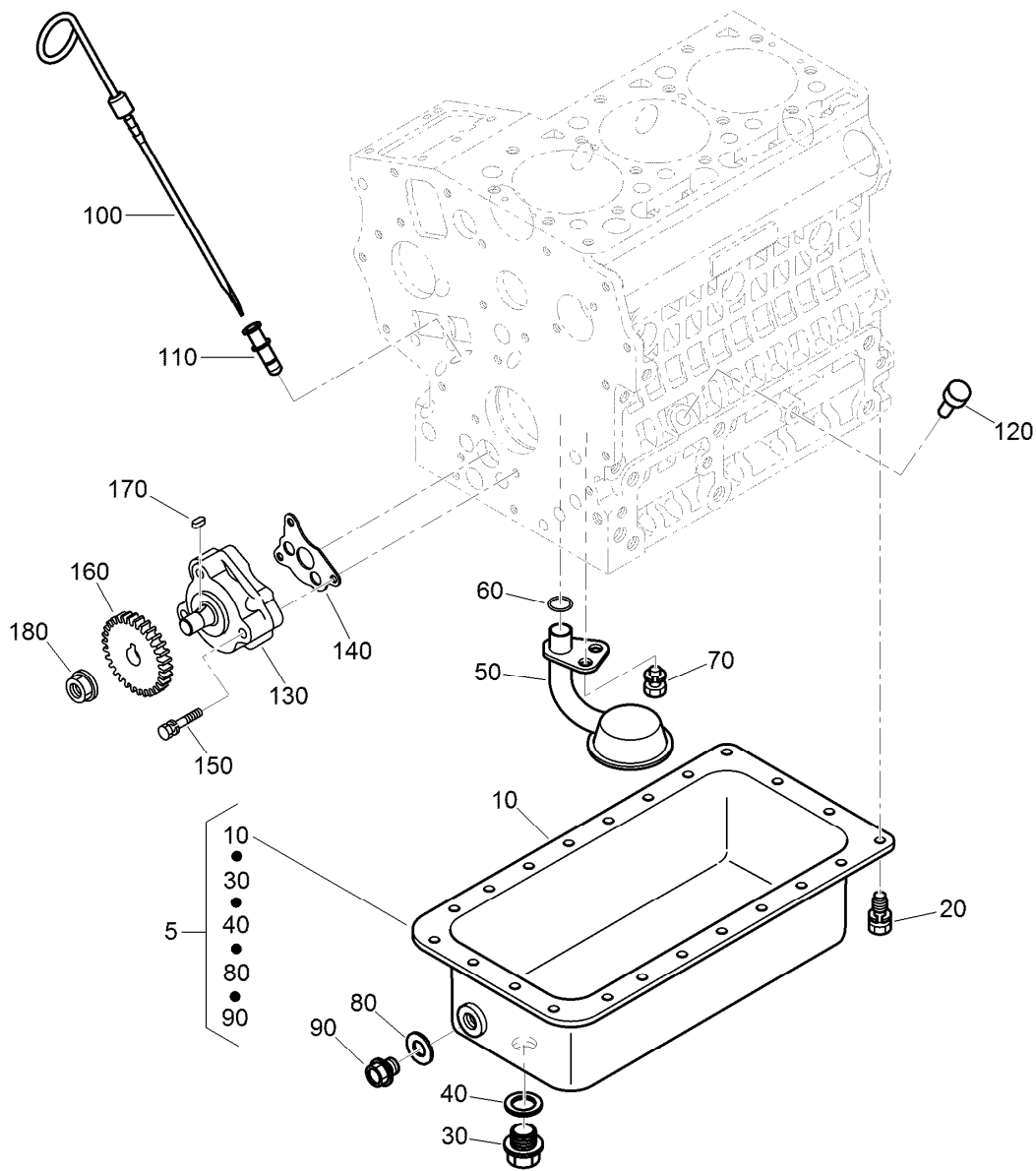
Electrical Assembly (continued)

| <i>Ref.</i> | <i>Part Number</i> | <i>Qty.</i> | <i>Description</i> |
|-------------|--------------------|-------------|--------------------|
| 41 | 322-5 | 2 | Screw-HH |
| 42 | 32128-20 | 2 | Nut-HF |



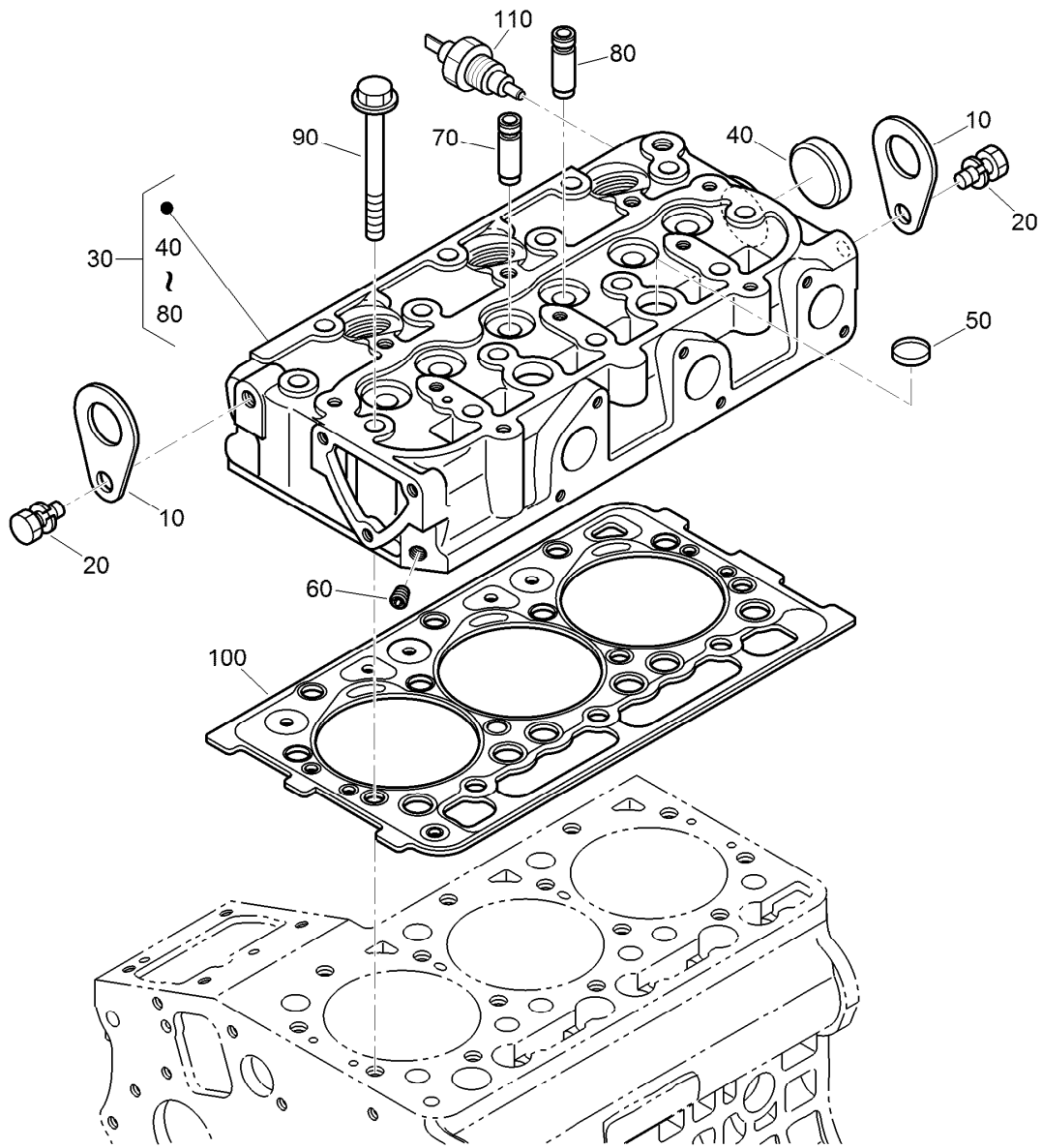
Crankcase Assembly

| <i>Ref.</i> | <i>Part Number</i> | <i>Qty.</i> | <i>Description</i> | <i>Ref.</i> | <i>Part Number</i> | <i>Qty.</i> | <i>Description</i> |
|-------------|--------------------|-------------|--------------------|-------------|--------------------|-------------|----------------------|
| 10 | 120-3120 | 1 | Crankcase ASM | 90 | 98-9375 | 2 | Pin-Straight |
| 20 | 100-2019 | 3 | Cap-Sealing | 100 | 98-9377 | 2 | Pin-Straight |
| 30 | 100-2020 | 3 | Cap-Sealing | 110 | 98-7506 | 1 | Pin-Pipe |
| 35 | 110-3702 | 2 | Cap-Sealing | 120 | 100-2051 | 2 | Pin-Pipe |
| 40 | 98-9398 | 2 | Cap-Sealing | 130 | 100-2051 | 2 | Pin-Pipe |
| 50 | 98-9687 | 5 | Plug | 140 | 100-1991 | 1 | Cover-Fuel, Camshaft |
| 60 | 98-7487 | 3 | Plug | 160 | 120-3121 | 1 | Draincock ASM |
| 70 | 98-7488 | 1 | Plug | 170 | 99-3582 | 1 | Thermoswitch |
| 80 | 100-1851 | 1 | Plug-Expansion | | | | |



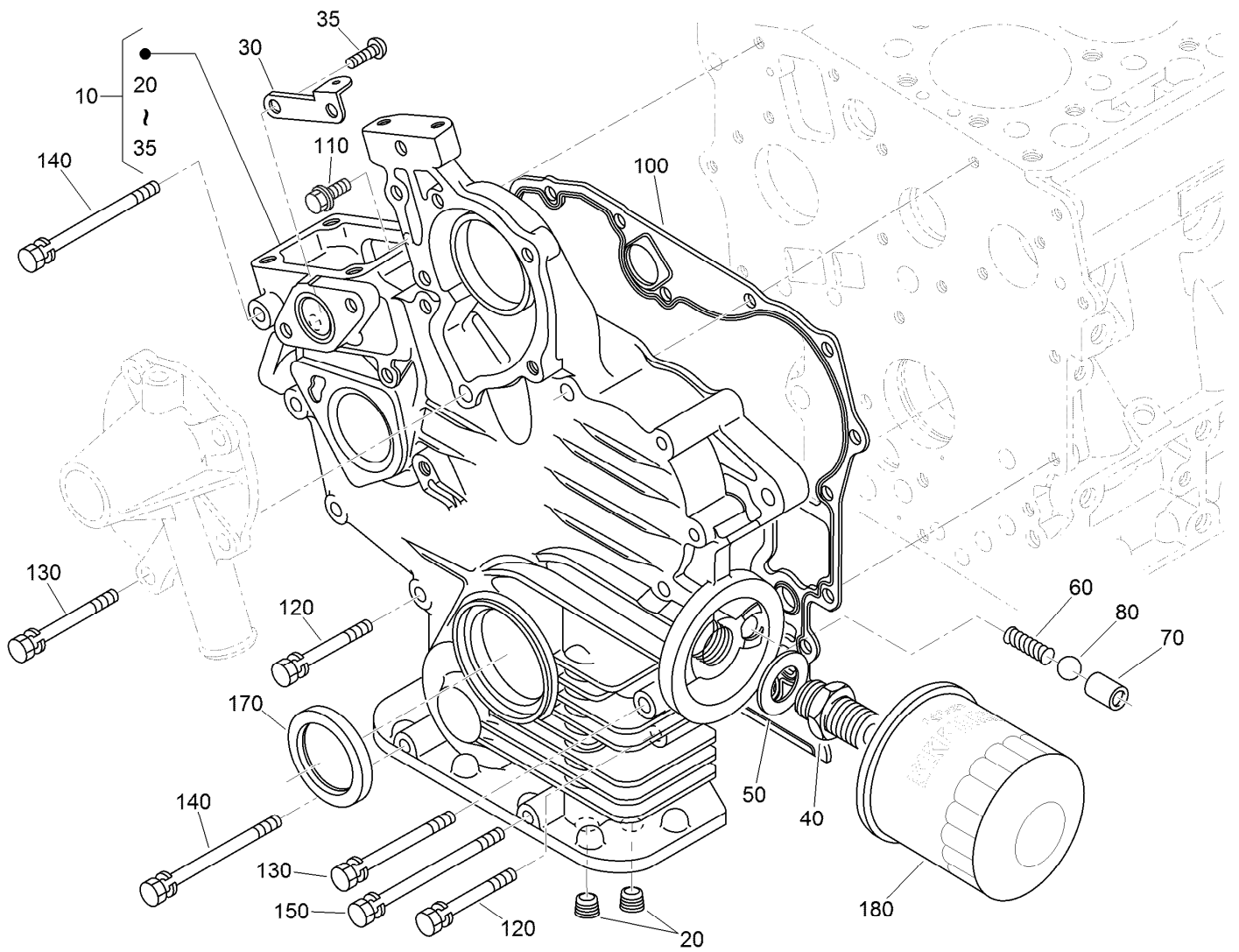
Oil Pan, Oil Pump and Dipstick Assembly

| <i>Ref.</i> | <i>Part Number</i> | <i>Qty.</i> | <i>Description</i> | <i>Ref.</i> | <i>Part Number</i> | <i>Qty.</i> | <i>Description</i> |
|-------------|--------------------|-------------|----------------------|-------------|--------------------|-------------|----------------------|
| 5 | 112-8327 | 1 | Oil Pan Kit | 100 | 110-3719 | 1 | Gauge-Oil |
| 10 | 112-2523 | 1 | Pan-Oil | 110 | 105-4580 | 1 | Guide-Gauge, Oil |
| 20 | 98-9350 | 22 | Bolt | 120 | 110-3720 | 1 | Plug-Gauge, Oil |
| 30 | 114-8151 | 1 | Plug-Drain | 130 | 100-2002 | 1 | Oil Pump ASM |
| 40 | 110-9715 | 1 | Gasket-Pan, Oil | 140 | 100-2003 | 1 | Gasket-Pump, Oil |
| 50 | 100-2001 | 1 | Strainer-Pickup, Oil | 150 | 100-1923 | 3 | Bolt |
| 60 | 105-3776 | 1 | O-Ring | 160 | 130-1419 | 1 | Gear-Drive, Oil Pump |
| 70 | 100-9195 | 1 | Bolt | 170 | 98-7658 | 1 | Key-Feather |
| 80 | 98-7524 | 1 | Gasket | 180 | 100-1779 | 1 | Nut-Flange |
| 90 | 98-9686 | 1 | Plug-Drain | | | | |



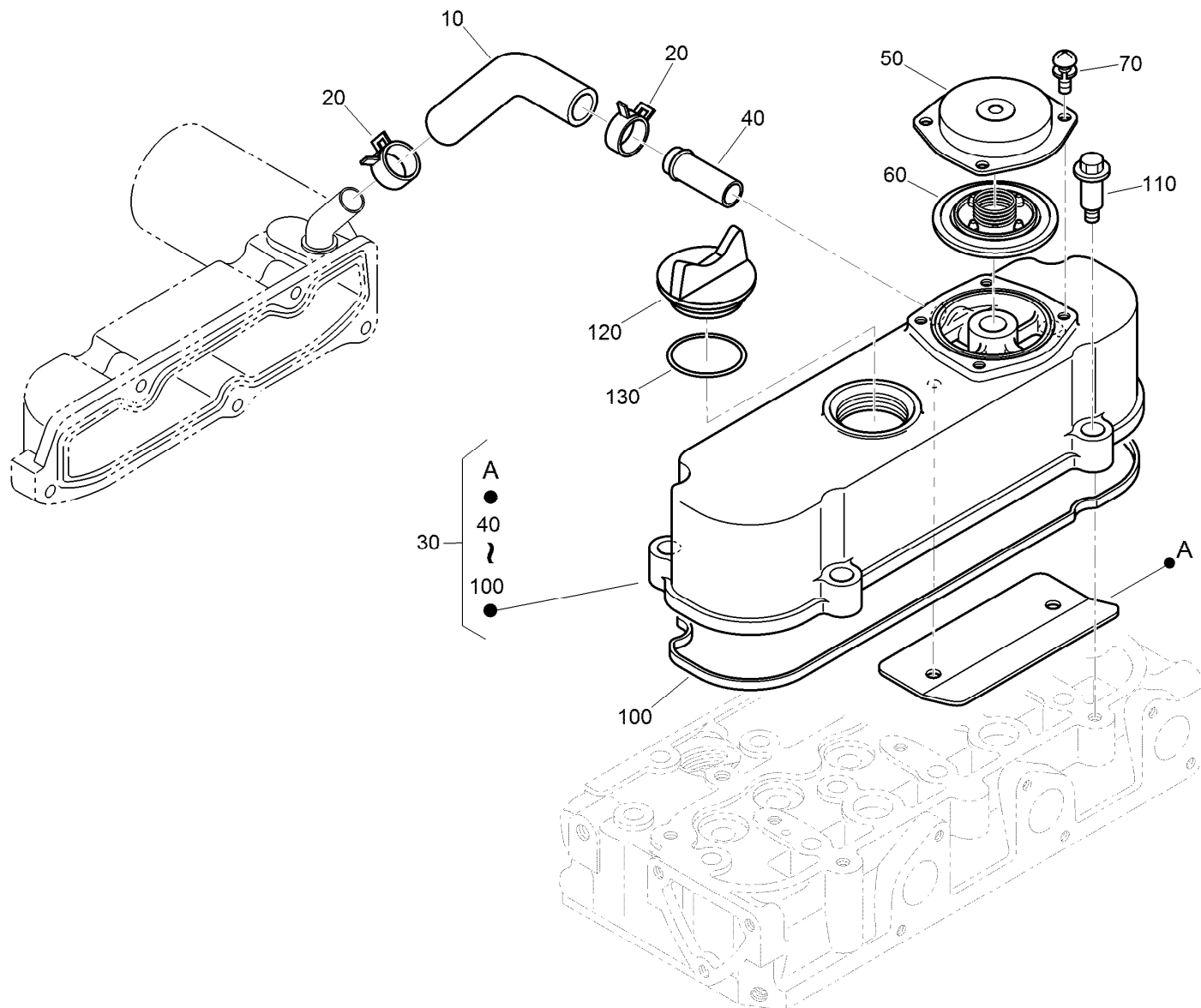
Cylinder Head Assembly

| <i>Ref.</i> | <i>Part Number</i> | <i>Qty.</i> | <i>Description</i> |
|-------------|--------------------|-------------|-----------------------|
| 10 | 98-7531 | 2 | Hook-Engine |
| 20 | 98-7526 | 2 | Bolt |
| 30 | 130-1533 | 1 | Cylinder Head ASM |
| 40 | 105-3705 | 1 | Cap-Sealing |
| 50 | 98-9389 | 2 | Cap-Sealing |
| 60 | 98-9687 | 1 | Plug |
| 70 | 100-1882 | 3 | Guide-Valve, Inlet |
| 80 | 100-1883 | 3 | Guide-Valve, Exhaust |
| 90 | 100-1820 | 14 | Bolt-Head, Cylinder |
| 100 | 112-2520 | 1 | Gasket-Head, Cylinder |
| 110 | 100-2230 | 1 | Switch-Oil |



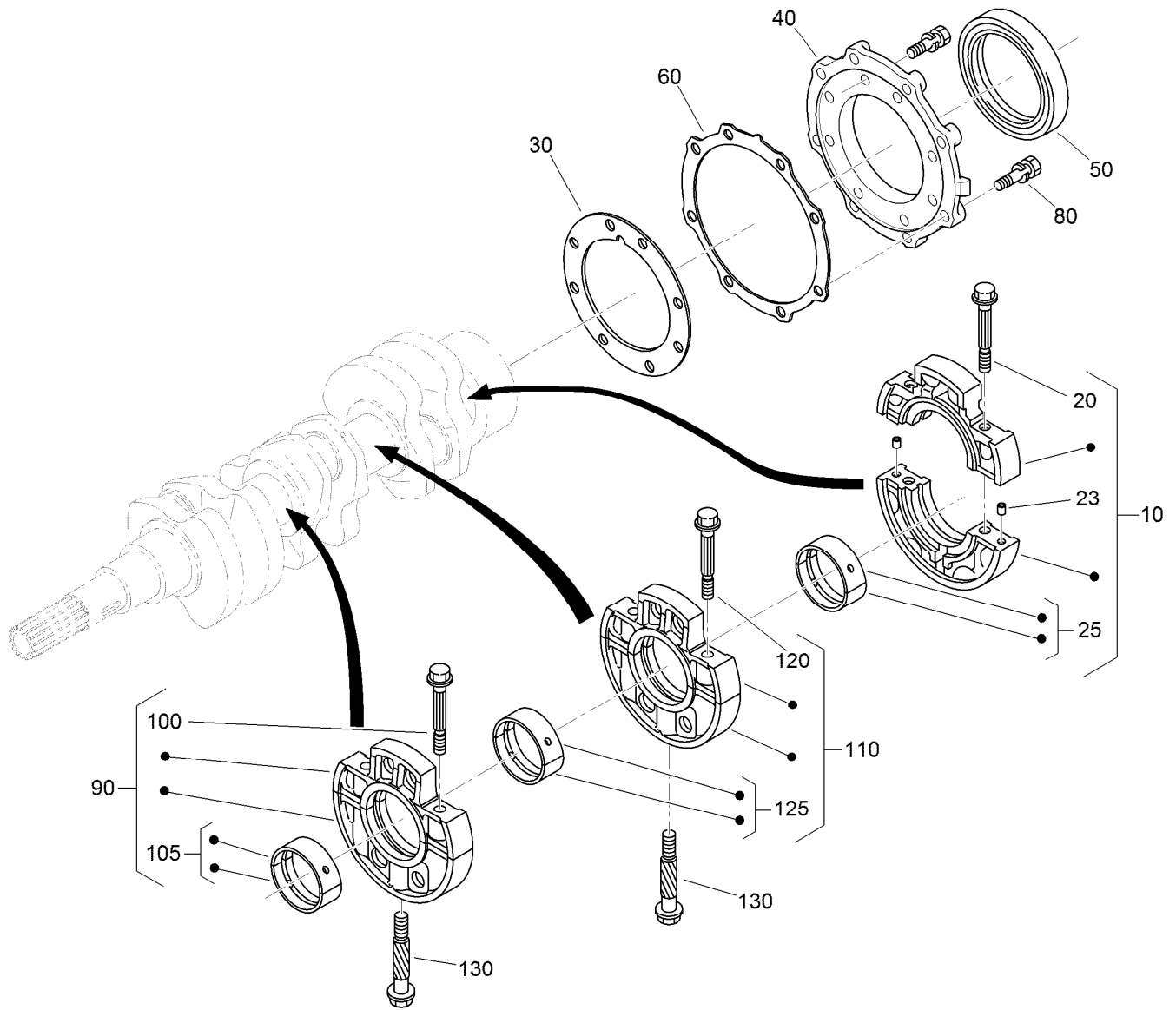
Gear Case and Oil Filter Cartridge Assembly

| Ref. | Part Number | Qty. | Description | Ref. | Part Number | Qty. | Description |
|------|-------------|------|--------------------|------|-------------|------|--------------------|
| 10 | 120-3138 | 1 | Gear Case ASM | 100 | 117-0327 | 1 | Gasket-Case, Gear |
| 20 | 98-7488 | 2 | Plug | 110 | 127-0403 | 1 | Bolt-Flange |
| 30 | 110-3708 | 1 | Stay-Spring, Start | 120 | 125-9063 | 9 | Bolt-Sems |
| 35 | 100-2040 | 2 | Screw | 130 | 100-1922 | 2 | Bolt |
| 40 | 98-9388 | 1 | Joint-Pipe | 140 | 98-9357 | 2 | Bolt |
| 50 | 100-1926 | 1 | Washer-Plain | 150 | 110-3710 | 1 | Bolt |
| 60 | 100-2004 | 1 | Spring | 170 | 120-7852 | 1 | Seal-Oil |
| 70 | 100-1894 | 1 | Seat-Valve | 180 | 115-8189 | 1 | Filter-Oil, Engine |
| 80 | 100-1792 | 1 | Ball | | | | |



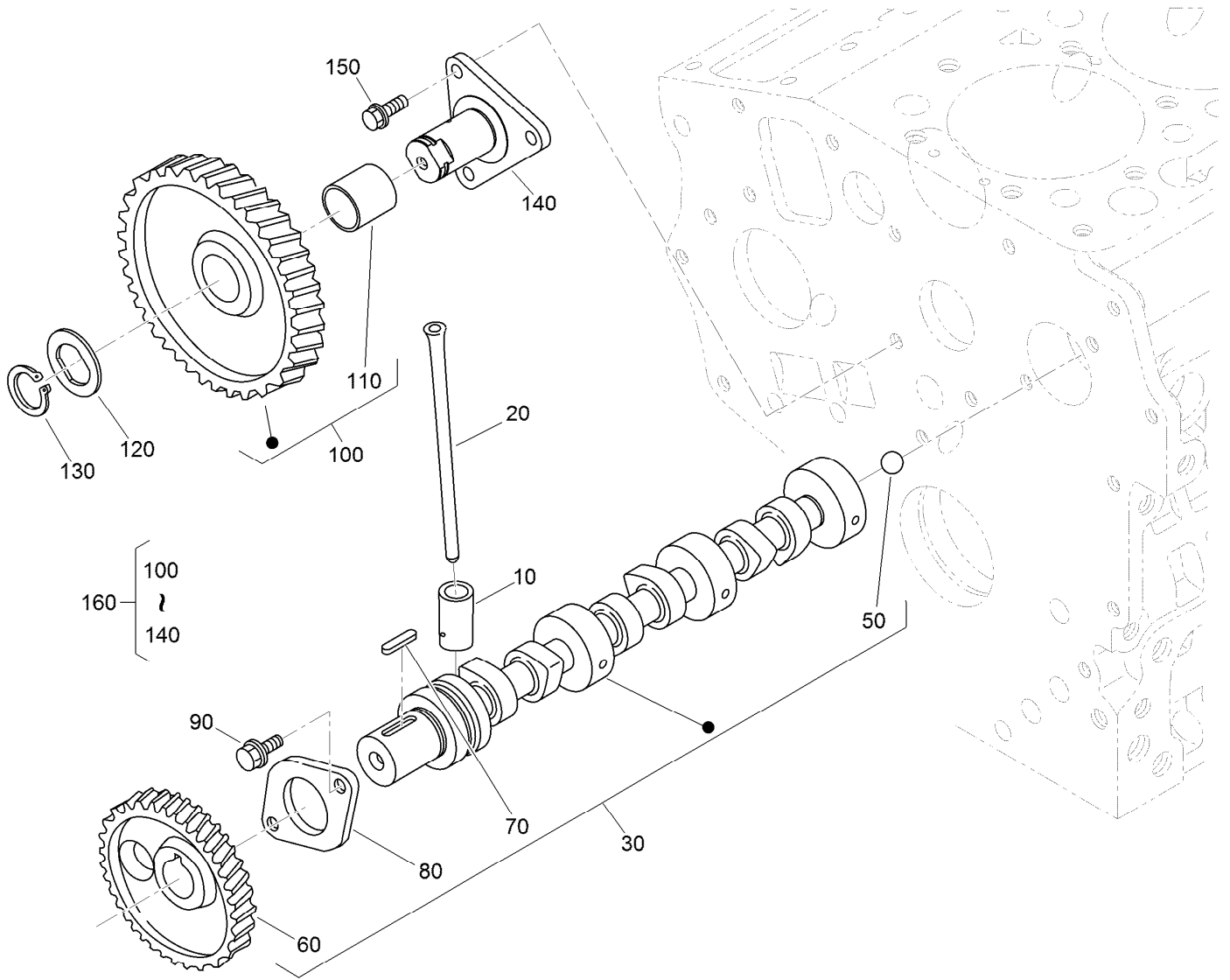
Cylinder Head Cover Assembly

| <i>Ref.</i> | <i>Part Number</i> | <i>Qty.</i> | <i>Description</i> |
|-------------|--------------------|-------------|-------------------------|
| 10 | 120-3139 | 1 | Tube-Breather |
| 20 | 110-3712 | 2 | Clamp-Hose |
| 30 | 112-8332 | 1 | Cylinder Head Cover ASM |
| 40 | 98-9580 | 1 | Pipe-Return, Water |
| 50 | 110-3714 | 1 | Cover-Breather |
| 60 | 110-3715 | 1 | Valve-Breather |
| 70 | 98-9364 | 4 | Screw (With Washer) |
| 100 | 112-2521 | 1 | Gasket-Cover, Head |
| 110 | 108-7063 | 4 | Bolt |
| 120 | 107-9075 | 1 | Plug-Filler, Oil |
| 130 | 99-3446 | 1 | O-Ring |



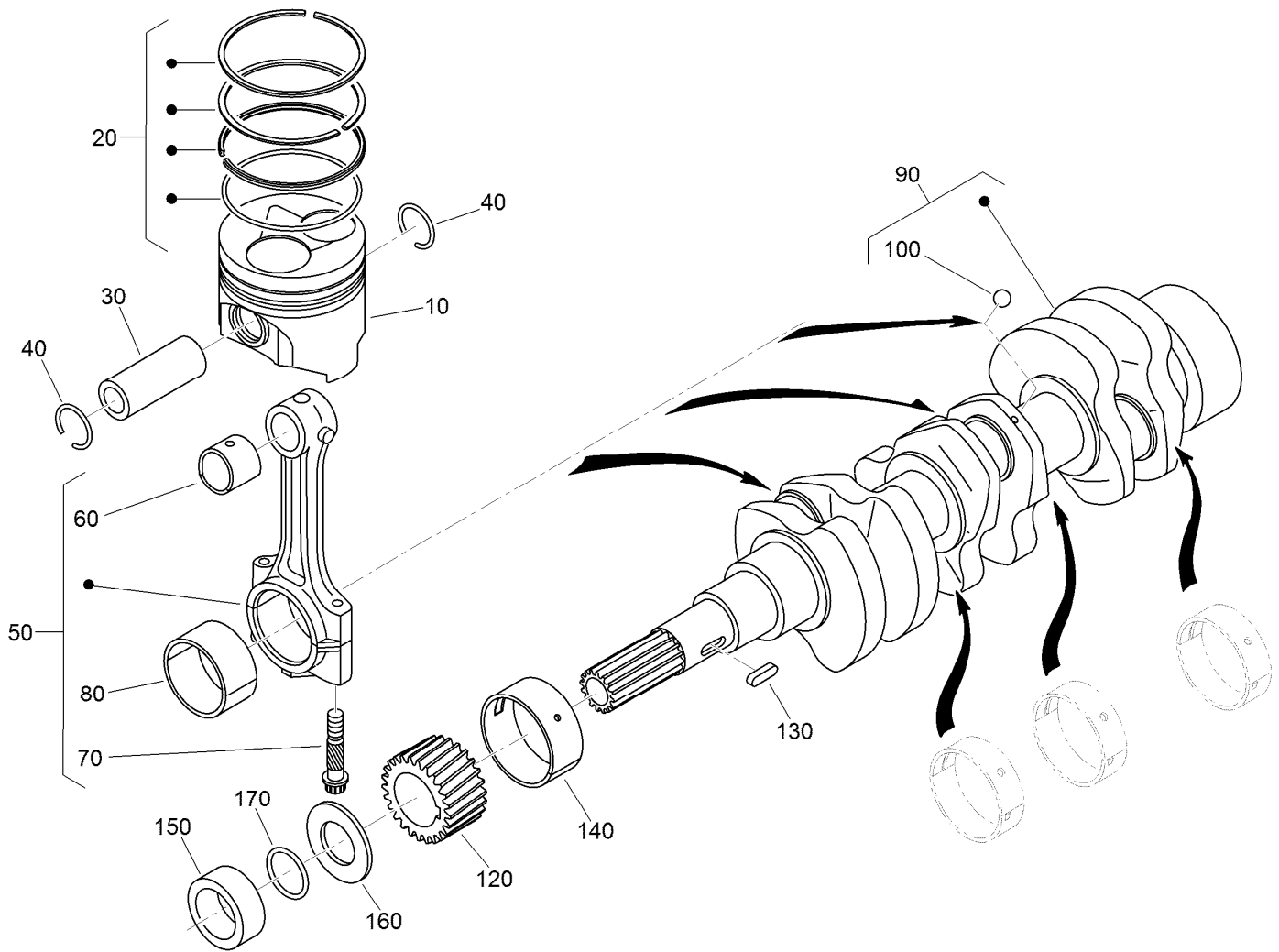
Main Bearing Case Assembly

| <i>Ref.</i> | <i>Part Number</i> | <i>Qty.</i> | <i>Description</i> | <i>Ref.</i> | <i>Part Number</i> | <i>Qty.</i> | <i>Description</i> |
|-------------|--------------------|-------------|--------------------------------|-------------|--------------------|-------------|--------------------------------|
| 10 | 125-9064 | 1 | Wheel Bearing Case ASM | 105 | 110-3741 | 1 | Crankshaft Metal ASM (STD) |
| 20 | 125-9065 | 2 | Bolt-Flange | 105 | 125-9083 | 1 | Crankshaft Metal ASM (-0.20Mm) |
| 23 | 125-9082 | 2 | Pin-Straight | 105 | 110-3743 | 1 | Crankshaft Metal ASM (-0.40Mm) |
| 25 | 125-9066 | 1 | Crankshaft Metal ASM (STD) | 110 | 125-9069 | 1 | Main Case Bearing ASM |
| 25 | 125-9067 | 1 | Crankshaft Metal ASM (-0.20Mm) | 120 | 110-3723 | 2 | Bolt-Case, Bearing |
| 25 | 125-9068 | 1 | Crankshaft Metal ASM (-0.40Mm) | 125 | 110-3741 | 1 | Crankshaft Metal ASM (STD) |
| 30 | 117-0304 | 1 | Gasket-Case, Bearing | 125 | 125-9083 | 1 | Crankshaft Metal ASM (-0.20Mm) |
| 40 | 112-8334 | 1 | Cover-Case, Bearing | 125 | 110-3743 | 1 | Crankshaft Metal ASM (-0.40Mm) |
| 50 | 110-3724 | 1 | Seal-Oil | 130 | 100-1874 | 2 | Bolt-Case, Bearing |
| 60 | 100-1876 | 1 | Gasket-Cover, Case | | | | |
| 80 | 100-1750 | 16 | Bolt | | | | |
| 90 | 110-3725 | 1 | Main Bearing Case ASM | | | | |
| 100 | 110-3723 | 2 | Bolt-Case, Bearing | | | | |



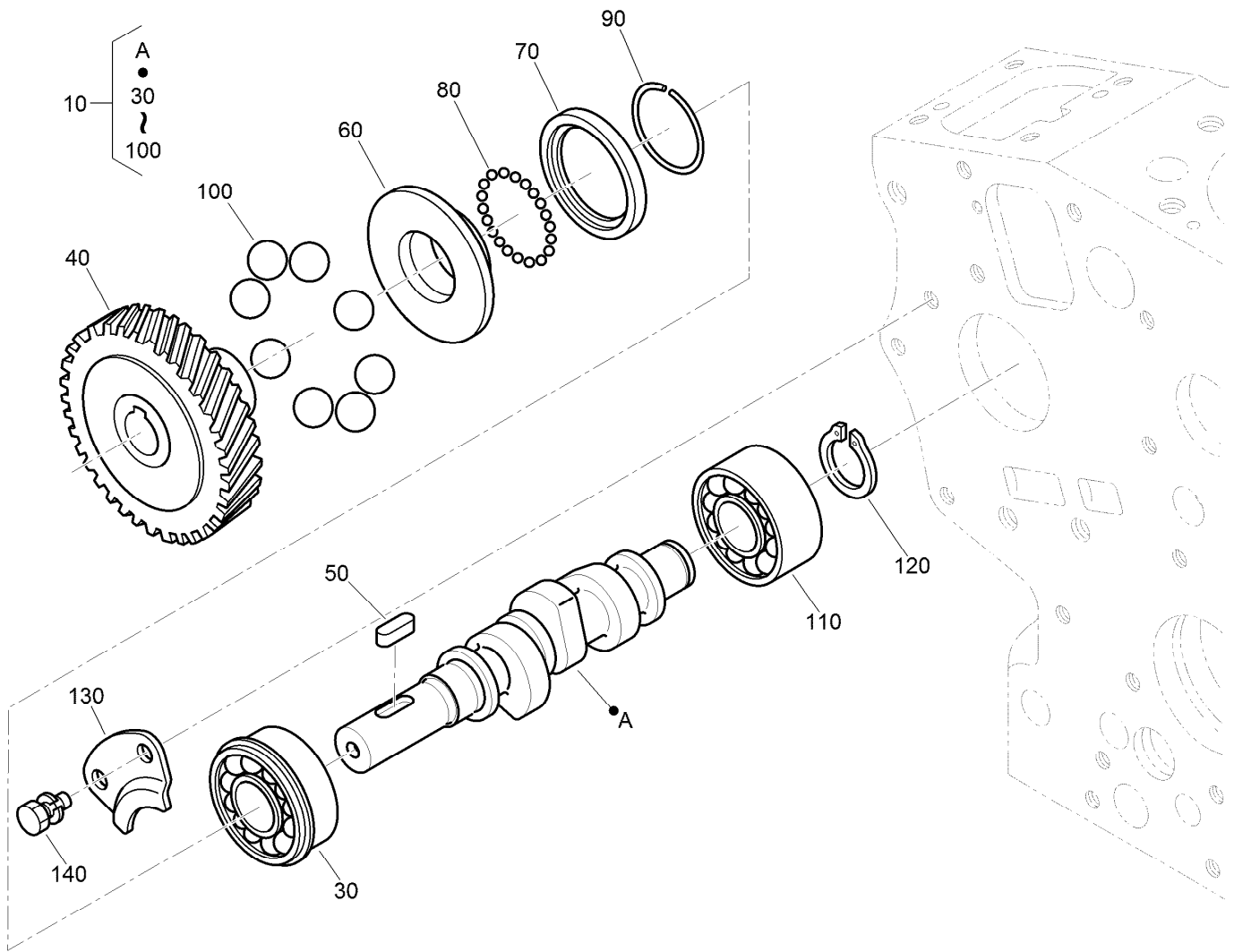
Camshaft and Idle Gear Shaft Assembly

| Ref. | Part Number | Qty. | Description |
|------|-------------|------|-------------------|
| 10 | 110-3727 | 6 | Tappet |
| 20 | 100-1989 | 6 | Rod-Push |
| 30 | 117-0305 | 1 | Camshaft ASM |
| 50 | 110-3729 | 1 | Ball |
| 60 | 130-1534 | 1 | Gear-Cam |
| 70 | 98-9378 | 1 | Key-Feather |
| 80 | 100-1887 | 1 | Stopper-Camshaft |
| 90 | 98-9350 | 2 | Bolt |
| 100 | 121-2421 | 1 | Idle Gear ASM |
| 110 | 121-2422 | 1 | Bushing |
| 120 | 100-1970 | 1 | Collar-Gear, Idle |
| 130 | 100-1969 | 1 | Ring-Snap |
| 140 | 100-1967 | 1 | Shaft-Gear, Idle |
| 150 | 100-1774 | 3 | Bolt-Flange |
| 160 | 100-2240 | 1 | Idle Gear ASM |



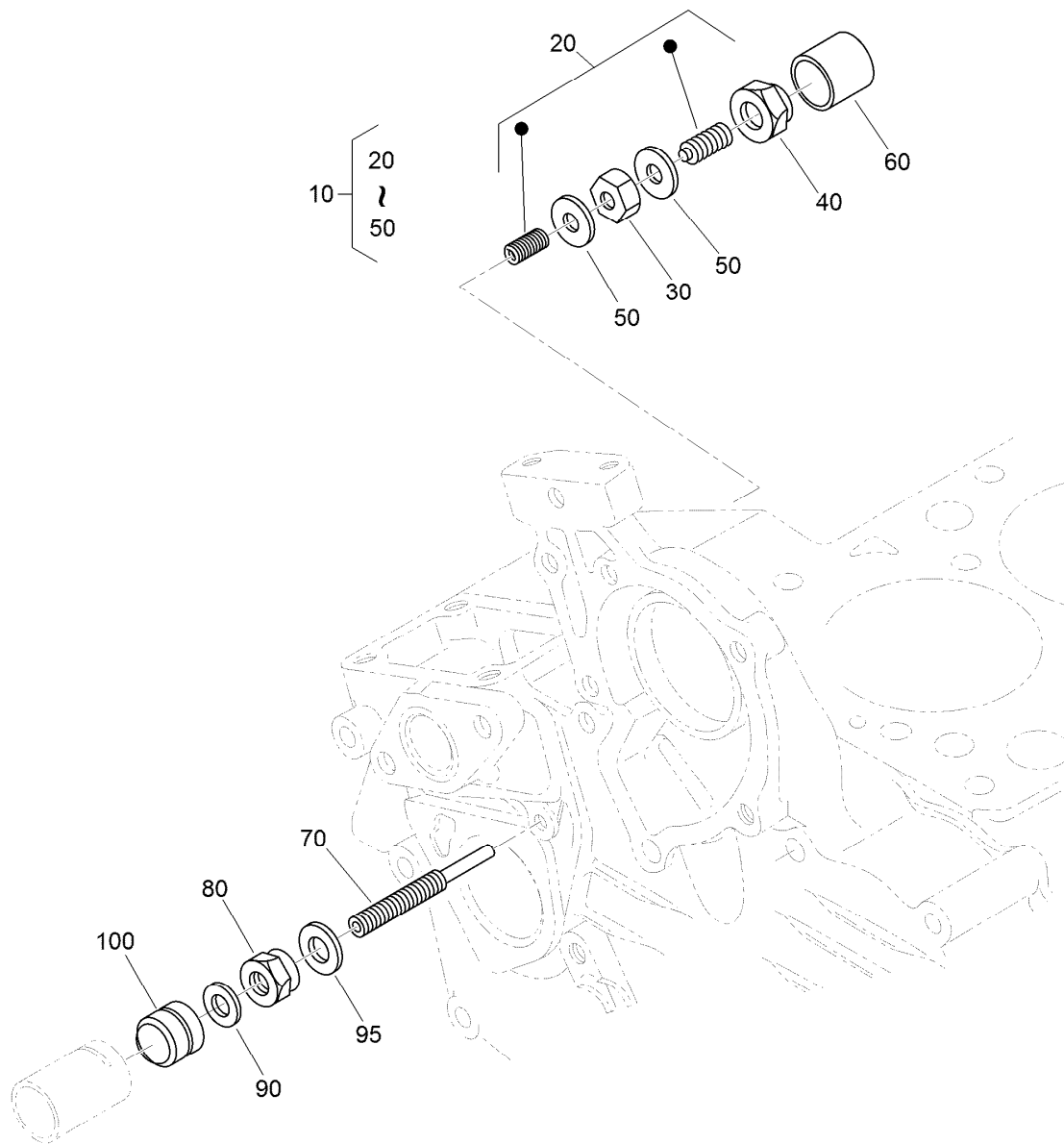
Piston and Crankshaft Assembly

| <i>Ref.</i> | <i>Part Number</i> | <i>Qty.</i> | <i>Description</i> | <i>Ref.</i> | <i>Part Number</i> | <i>Qty.</i> | <i>Description</i> |
|-------------|--------------------|-------------|-------------------------|-------------|--------------------|-------------|---------------------------|
| 10 | 130-1537 | 3 | Piston | 80 | 121-2420 | 3 | Metal-Crankpin (-.40Mm) |
| 10 | 130-1540 | 3 | Piston | 90 | 117-0308 | 1 | Crankshaft |
| 20 | 130-1535 | 3 | Piston Ring ASM | 100 | 100-1791 | 3 | Ball |
| 20 | 130-1536 | 3 | Piston Ring ASM | 120 | 100-1891 | 1 | Gear-Crankshaft |
| 30 | 110-3734 | 3 | Pin-Piston | 130 | 100-1752 | 1 | Key-Feather |
| 40 | 100-1835 | 6 | Circlip-Internal | 140 | 110-3738 | 1 | Metal-Crankshaft (STD) |
| 50 | 125-9070 | 3 | Connecting Rod ASM | 140 | 121-2424 | 1 | Metal-Crankshaft (-.20Mm) |
| 60 | 110-3736 | 3 | Bushing-Pin, Piston | 140 | 121-2425 | 1 | Metal-Crankshaft (-.40Mm) |
| 70 | 100-1999 | 6 | Bolt-Rod, Connecting | 150 | 100-1890 | 1 | Collar-Crankshaft |
| 80 | 100-2000 | 3 | Metal-Crankpin (STD) | 160 | 100-1974 | 1 | Slinger-Oil |
| 80 | 121-3849 | 3 | Metal-Crankpin (-.20Mm) | 170 | 100-2209 | 1 | O-Ring |



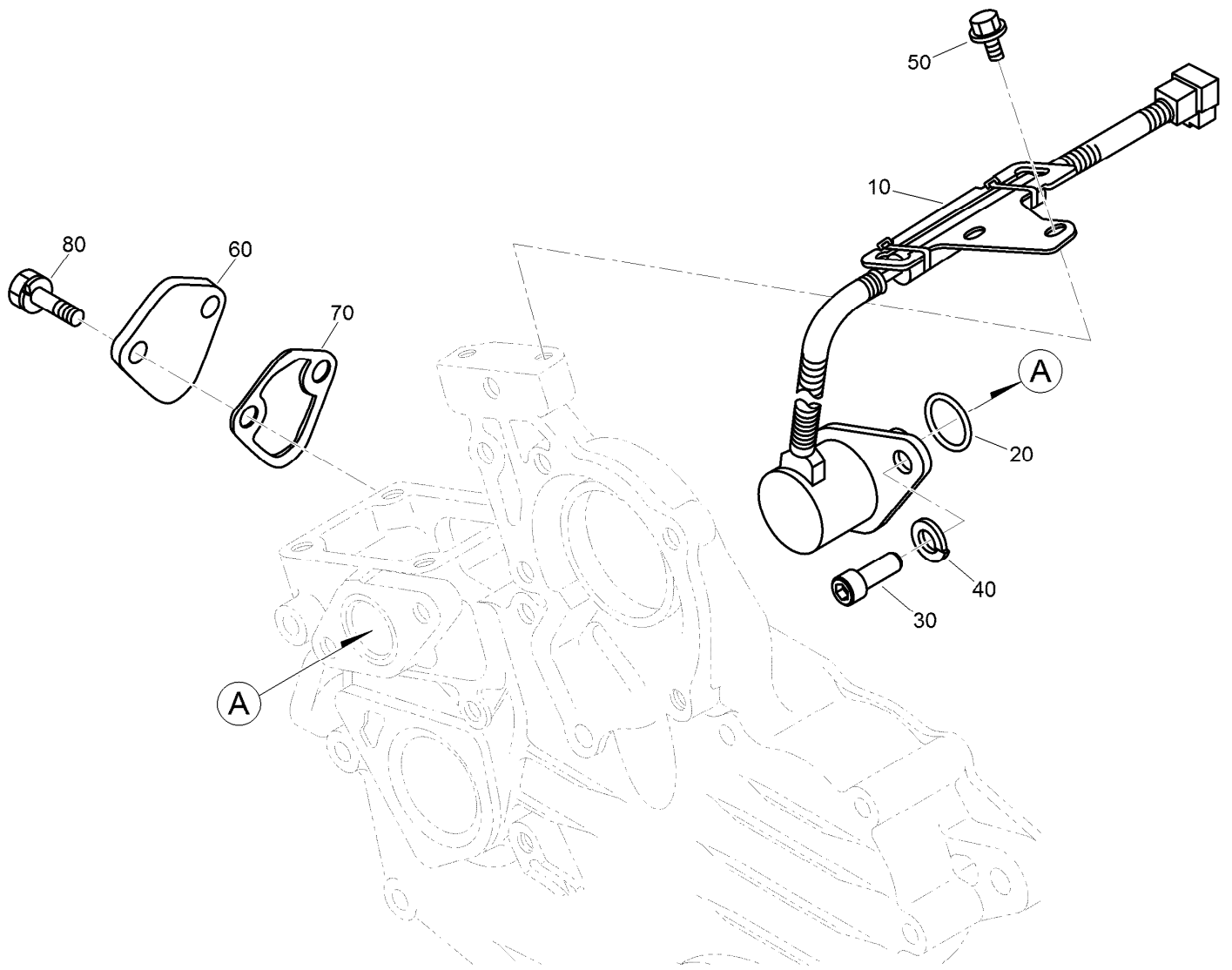
Fuel Camshaft Assembly

| Ref. | Part Number | Qty. | Description |
|------|-------------|------|------------------------|
| 10 | 125-9075 | 1 | Fuel Camshaft ASM |
| 30 | 100-1795 | 1 | Bearing-Ball |
| 40 | 100-2006 | 1 | Gear-Pump, Injection |
| 50 | 100-1752 | 1 | Key-Feather |
| 60 | 112-8336 | 1 | Sleeve-Governor |
| 70 | 100-1904 | 1 | Case-Ball, Governor |
| 80 | 100-1790 | 32 | Ball |
| 90 | 100-1843 | 1 | Circ-Clip |
| 100 | 100-1793 | 8 | Ball |
| 110 | 110-3757 | 1 | Bearing-Ball |
| 120 | 100-1784 | 1 | Circ-Clip, External |
| 130 | 100-1888 | 1 | Stopper-Fuel, Camshaft |
| 140 | 98-9350 | 2 | Bolt |



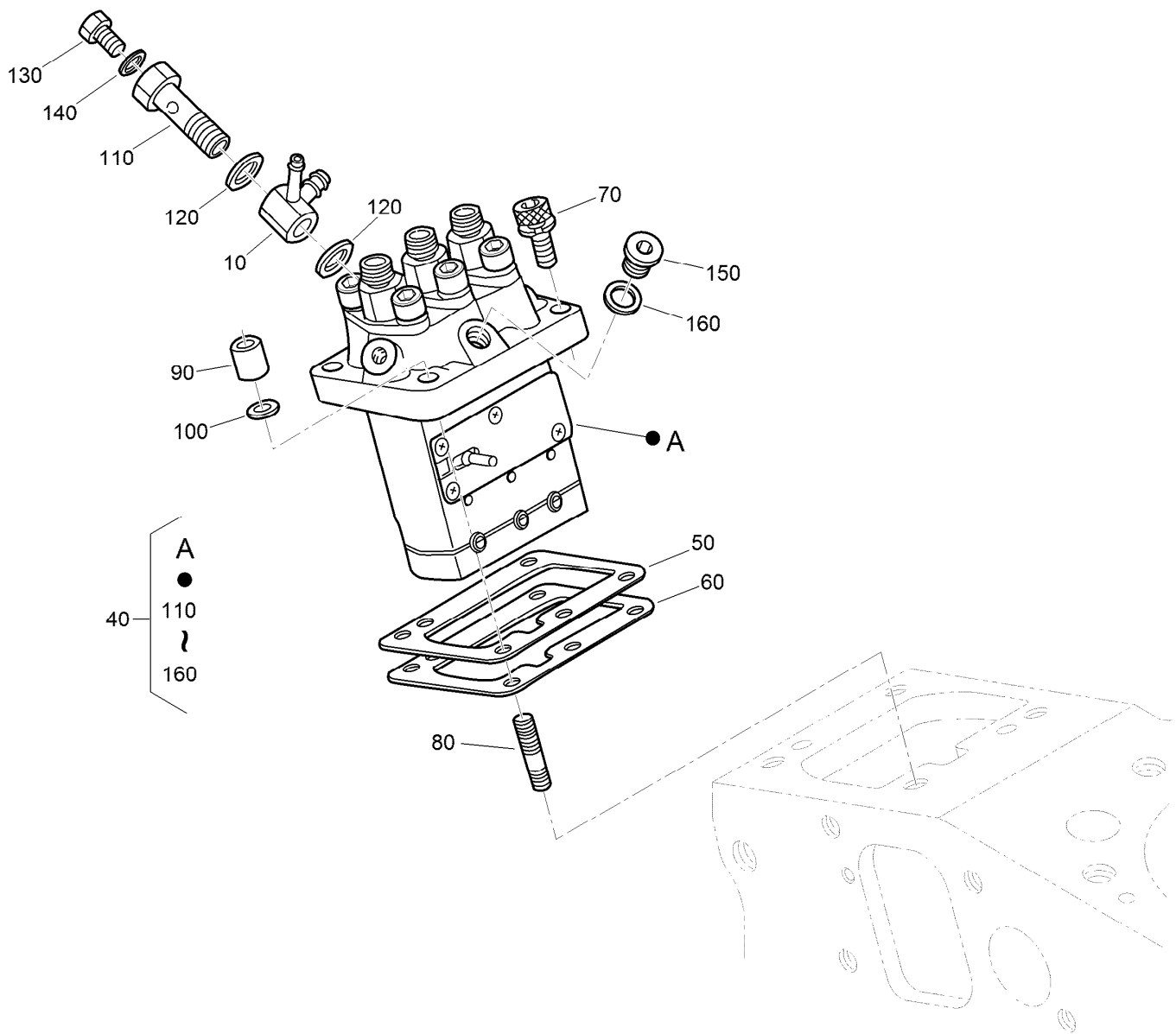
Idle Apparatus Assembly

| <i>Ref.</i> | <i>Part Number</i> | <i>Qty.</i> | <i>Description</i> |
|-------------|--------------------|-------------|--------------------|
| 10 | 100-1898 | 1 | Idle Apparatus ASM |
| 20 | 100-1899 | 1 | Adjusting Bolt ASM |
| 30 | 100-1846 | 1 | Nut |
| 40 | 100-1901 | 1 | Nut-Cap |
| 50 | 98-7428 | 2 | Gasket |
| 60 | 100-1902 | 1 | Cap |
| 70 | 110-3758 | 1 | Bolt-Adjusting |
| 80 | 100-2175 | 1 | Nut-Lock |
| 90 | 98-7654 | 1 | Gasket |
| 95 | 107-9081 | 1 | Gasket |
| 100 | 99-8387 | 1 | Nut-Cap |



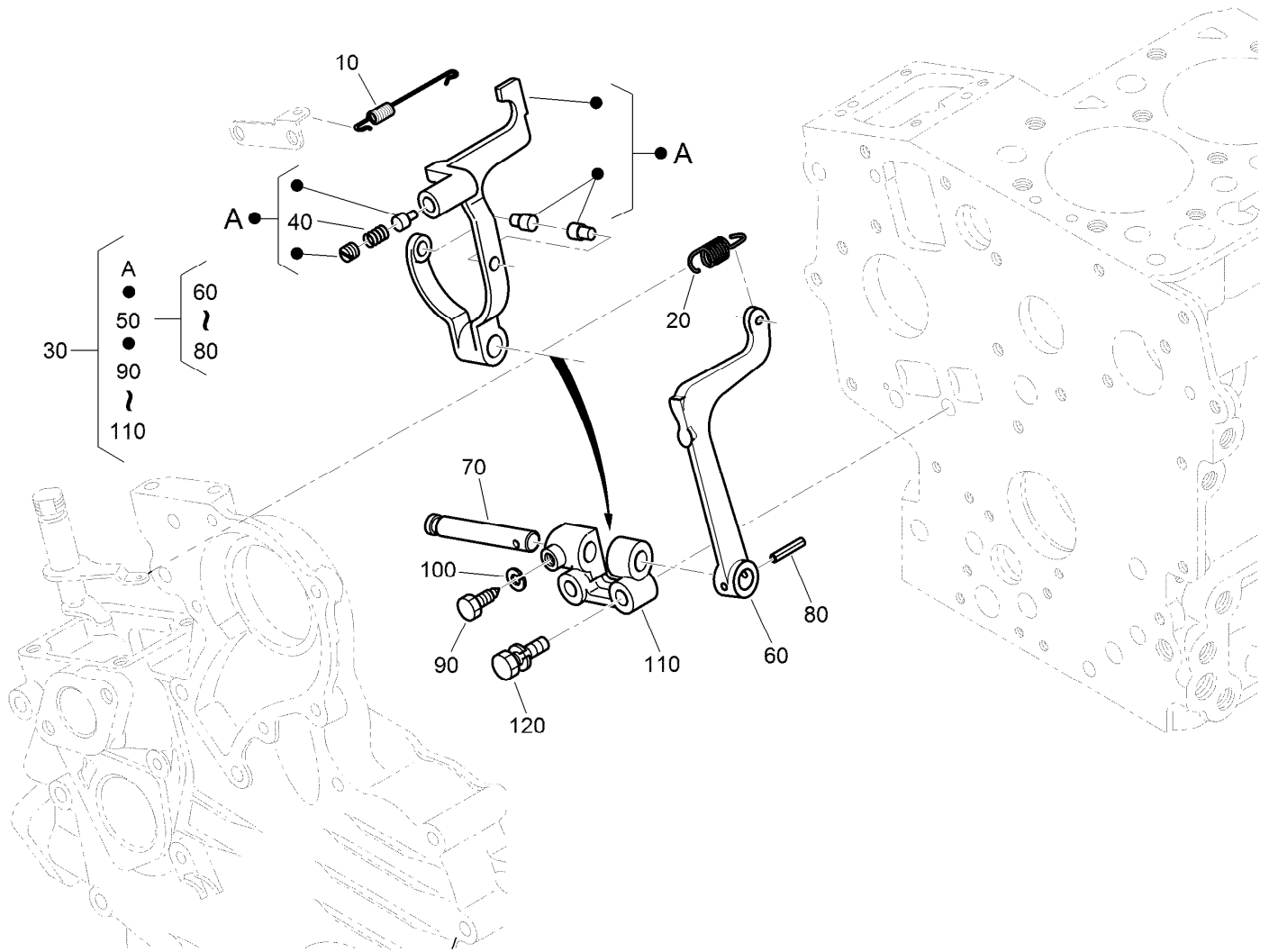
Stop Solenoid and Fuel Pump Cover Assembly

| <i>Ref.</i> | <i>Part Number</i> | <i>Qty.</i> | <i>Description</i> |
|-------------|--------------------|-------------|--------------------|
| 10 | 117-2719 | 1 | Solenoid Stop ASM |
| 20 | 110-3762 | 1 | O-Ring |
| 30 | 110-3763 | 2 | Bolt-HSH |
| 40 | 98-7699 | 2 | Washer-Spring |
| 50 | 100-1774 | 2 | Bolt-Flange |
| 60 | 99-3514 | 1 | Cover |
| 70 | 98-9636 | 1 | Gasket-Pump, Fuel |
| 80 | 98-7692 | 2 | Bolt |



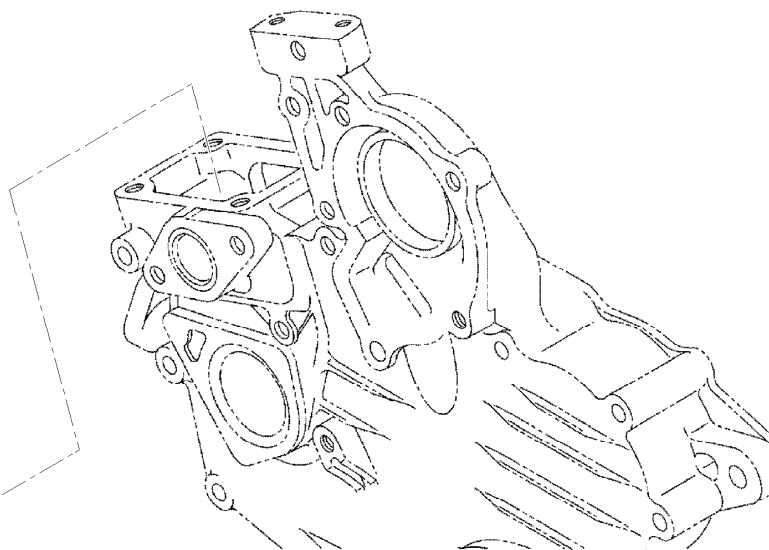
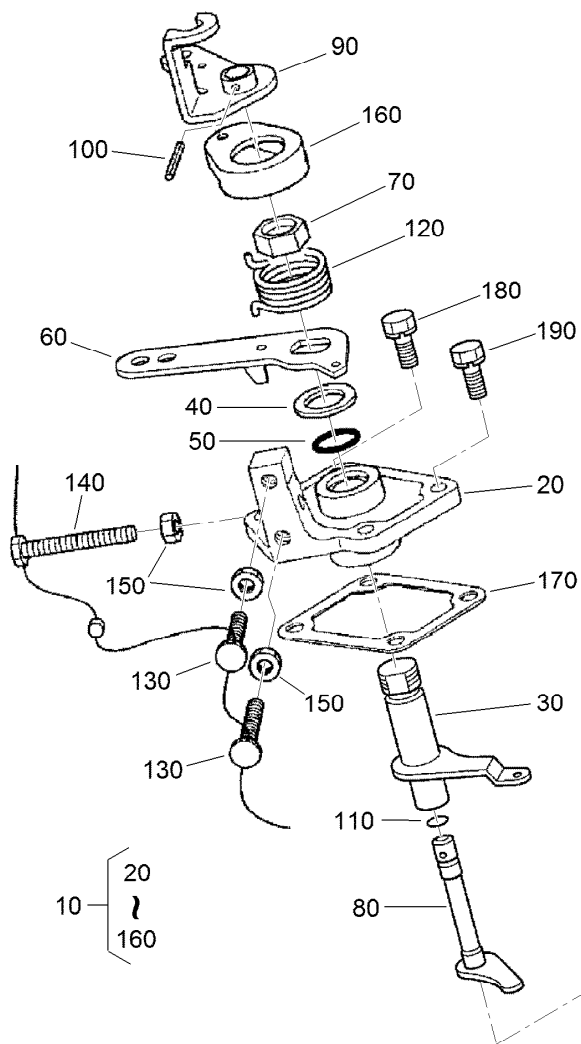
Injection Pump Assembly

| <i>Ref.</i> | <i>Part Number</i> | <i>Qty.</i> | <i>Description</i> | <i>Ref.</i> | <i>Part Number</i> | <i>Qty.</i> | <i>Description</i> |
|-------------|--------------------|-------------|--------------------------|-------------|--------------------|-------------|--------------------|
| 10 | 110-3764 | 1 | Joint | 90 | 98-9440 | 2 | Nut-Cap |
| 40 | 110-3765 | 1 | Injection Pump ASM | 100 | 98-7699 | 2 | Washer-Spring |
| 50 | 115-3045 | 1 | Shim-Injection (0.175Mm) | 110 | 100-1896 | 1 | Screw-Hollow |
| 50 | 98-9456 | 1 | Shim-Injection (0.20Mm) | 120 | 98-9445 | 2 | Gasket |
| 50 | 98-9457 | 1 | Shim-Injection (0.25Mm) | 130 | 98-9430 | 1 | Screw |
| 60 | 98-9458 | 1 | Shim-Injection (0.30Mm) | 140 | 98-9446 | 1 | Gasket |
| 60 | 115-3046 | 1 | Shim-Injection (0.35Mm) | 150 | 98-9466 | 1 | Plug |
| 70 | 117-7564 | 2 | Bolt-Hex Soc HD | 160 | 98-9451 | 1 | Gasket |
| 80 | 98-9438 | 2 | Stud | | | | |



Governor Assembly

| Ref. | Part Number | Qty. | Description |
|------|-------------|------|---------------------|
| 10 | 110-3766 | 1 | Spring-Start |
| 20 | 110-3767 | 1 | Spring-Governor |
| 30 | 112-8337 | 1 | Fork Lever ASM |
| 40 | 117-0313 | 1 | Spring |
| 50 | 100-1905 | 1 | Fork Lever ASM |
| 60 | 100-1907 | 1 | Lever-Fork |
| 70 | 100-1908 | 1 | Shaft-Lever, Fork |
| 80 | 100-1751 | 1 | Pin-Spring |
| 90 | 100-1845 | 1 | Bolt |
| 100 | 127-0408 | 1 | Washer-Lock, Spring |
| 110 | 100-1909 | 1 | Holder-Lever, Fork |
| 120 | 100-1763 | 2 | Bolt |

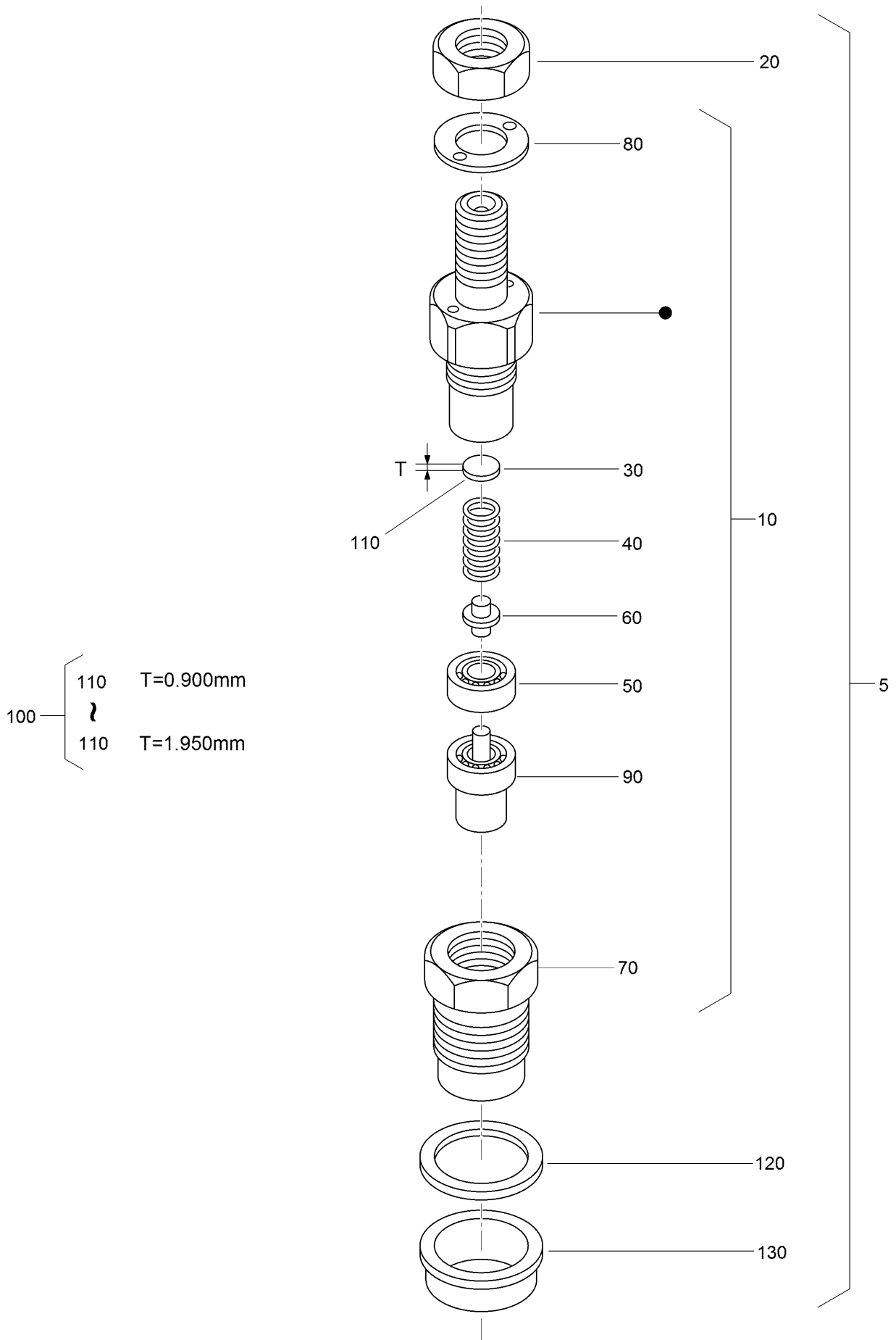


Speed Control Plate Assembly

| Ref. | Part Number | Qty. | Description |
|------|-------------|------|-------------------------|
| 10 | 110-3769 | 1 | Speed Control Plate ASM |
| 20 | 110-3770 | 1 | Plate-Control, Speed |
| 30 | 110-3771 | 1 | Lever-Governor |
| 40 | 110-3772 | 1 | Collar |
| 50 | 100-2208 | 1 | O-Ring |
| 60 | 110-3773 | 1 | Lever-Control, Speed |
| 70 | 110-3774 | 1 | Nut-Control, Speed |
| 80 | 110-3775 | 1 | Shaft-Lever |
| 90 | 110-3776 | 1 | Lever-Stop, Engine |
| 100 | 110-3777 | 1 | Pin-Spring |

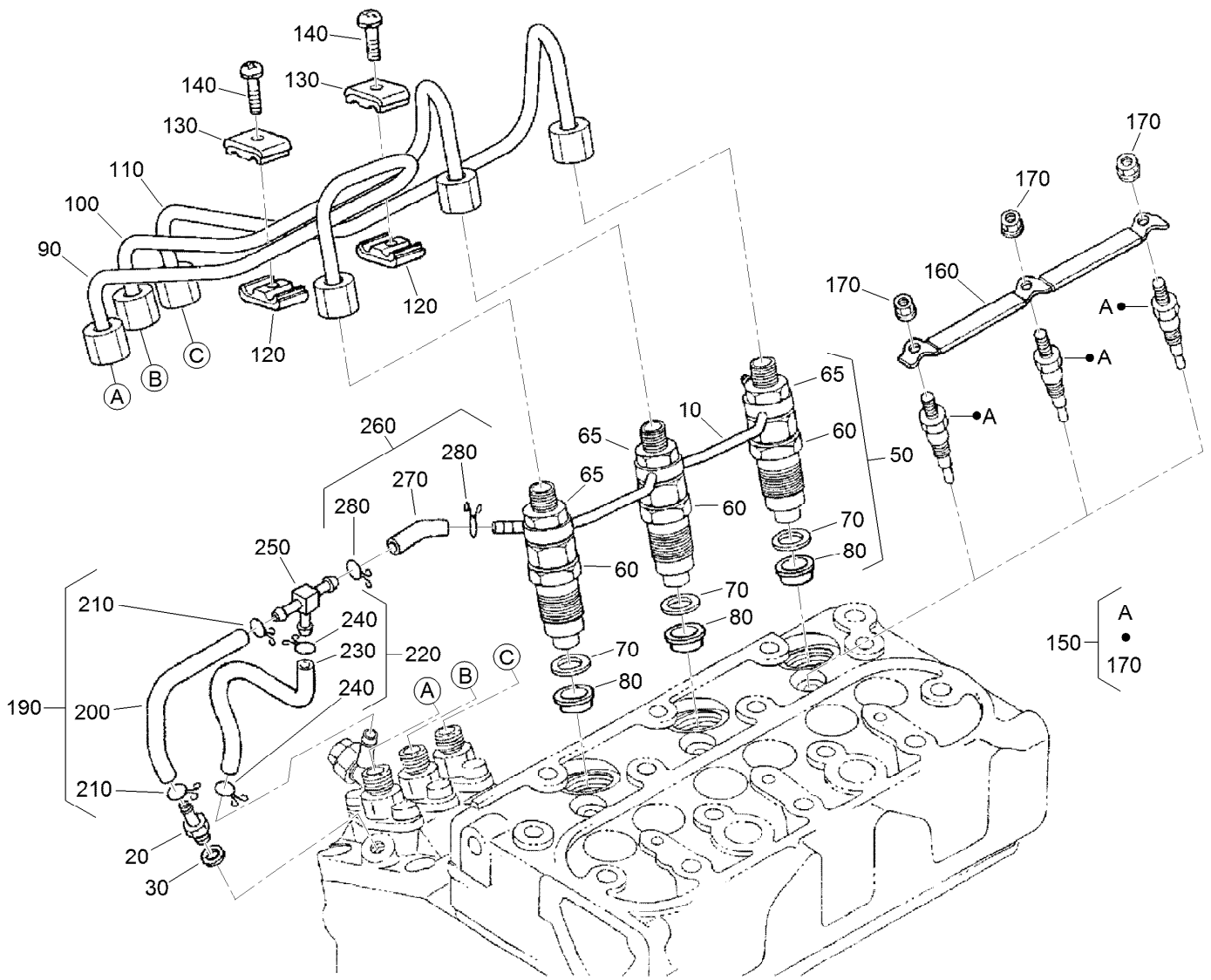
| Ref. | Part Number | Qty. | Description |
|------|-------------|------|-----------------------|
| 110 | 100-2207 | 1 | O-Ring |
| 120 | 110-3778 | 1 | Spring-Return |
| 130 | 120-3133 | 2 | Screw-Stopper |
| 140 | 120-3134 | 1 | Bolt |
| 150 | 98-7572 | 3 | Nut |
| 160 | 110-3779 | 1 | Cap |
| 170 | 100-1962 | 1 | Gasket-Plate, Control |
| 180 | 127-0403 | 2 | Bolt-Flange |
| 190 | 112-2507 | 2 | Bolt |

Nozzle Holder Assembly



Nozzle Holder Assembly (continued)

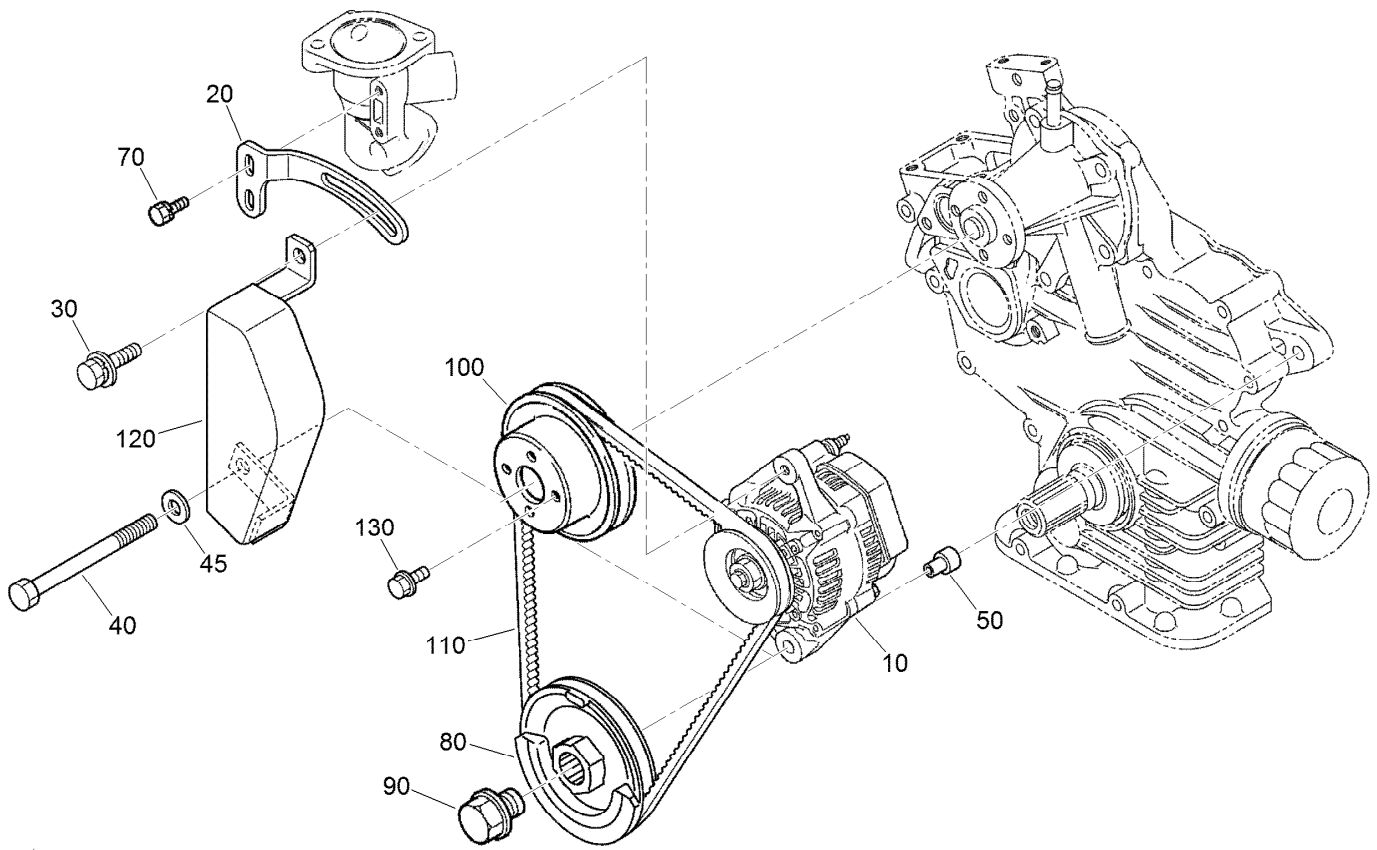
| <i>Ref.</i> | <i>Part Number</i> | <i>Qty.</i> | <i>Description</i> | <i>Ref.</i> | <i>Part Number</i> | <i>Qty.</i> | <i>Description</i> |
|-------------|--------------------|-------------|----------------------------|-------------|--------------------|-------------|----------------------------|
| 5 | 130-1305 | 3 | Nozzle Holder Kit | 110 | 98-7860 | 3 | Washer-Adjusting (1.400Mm) |
| 10 | 130-1303 | 3 | Nozzle Holder ASM | 110 | 98-7861 | 3 | Washer-Adjusting (1.425Mm) |
| 20 | 121-2411 | 3 | Nut | 110 | 98-7862 | 3 | Washer-Adjusting (1.450Mm) |
| 30 | 99-8302 | 3 | Washer-Adjusting | 110 | 98-7863 | 3 | Washer-Adjusting (1.475Mm) |
| 40 | 99-8303 | 3 | Spring-Nozzle | 110 | 98-7864 | 3 | Washer-Adjusting (1.500Mm) |
| 50 | 99-8304 | 3 | Spacer-Distance | 110 | 98-7865 | 3 | Washer-Adjusting (1.525Mm) |
| 60 | 99-8305 | 3 | Rod-Push | 110 | 98-7866 | 3 | Washer-Adjusting (1.550Mm) |
| 70 | 130-1304 | 3 | Nut-Nozzle | 110 | 98-7867 | 3 | Washer-Adjusting (1.575Mm) |
| 80 | 99-8307 | 3 | Washer-Plain | 110 | 98-7868 | 3 | Washer-Adjusting (1.600Mm) |
| 90 | 130-1497 | 3 | Nozzle-Piece | 110 | 98-7869 | 3 | Washer-Adjusting (1.625Mm) |
| 100 | 98-9448 | 3 | Adjusting Washer ASM | 110 | 98-7870 | 3 | Washer-Adjusting (1.650Mm) |
| 110 | 98-7642 | 3 | Washer-Adjusting (0.900Mm) | 110 | 98-7871 | 3 | Washer-Adjusting (1.675Mm) |
| 110 | 98-7841 | 3 | Washer-Adjusting (0.925Mm) | 110 | 98-7872 | 3 | Washer-Adjusting (1.700Mm) |
| 110 | 98-7842 | 3 | Washer-Adjusting (0.950Mm) | 110 | 98-7873 | 3 | Washer-Adjusting (1.725Mm) |
| 110 | 98-7843 | 3 | Washer-Adjusting (0.975Mm) | 110 | 98-7874 | 3 | Washer-Adjusting (1.750Mm) |
| 110 | 98-7844 | 3 | Washer-Adjusting (1.000Mm) | 110 | 98-7875 | 3 | Washer-Adjusting (1.775Mm) |
| 110 | 98-7845 | 3 | Washer-Adjusting (1.025Mm) | 110 | 98-7876 | 3 | Washer-Adjusting (1.800Mm) |
| 110 | 98-7846 | 3 | Washer-Adjusting (1.050Mm) | 110 | 98-7877 | 3 | Washer-Adjusting (1.825Mm) |
| 110 | 98-7847 | 3 | Washer-Adjusting (1.075Mm) | 110 | 98-7878 | 3 | Washer-Adjusting (1.850Mm) |
| 110 | 98-7848 | 3 | Washer-Adjusting (1.100Mm) | 110 | 98-7879 | 3 | Washer-Adjusting (1.875Mm) |
| 110 | 98-7849 | 3 | Washer-Adjusting (1.125Mm) | 110 | 98-7880 | 3 | Washer-Adjusting (1.900Mm) |
| 110 | 98-7850 | 3 | Washer-Adjusting (1.150Mm) | 110 | 98-7881 | 3 | Washer-Adjusting (1.925Mm) |
| 110 | 98-7852 | 3 | Washer-Adjusting (1.200Mm) | 110 | 98-7882 | 3 | Washer-Adjusting (1.950Mm) |
| 110 | 98-7853 | 3 | Washer-Adjusting (1.225Mm) | 120 | 98-7676 | 3 | Gasket |
| 110 | 98-7854 | 3 | Washer-Adjusting (1.250Mm) | 130 | 98-7677 | 3 | Seal-Heat |
| 110 | 98-7855 | 3 | Washer-Adjusting (1.275Mm) | | | | |
| 110 | 98-7856 | 3 | Washer-Adjusting 1.300Mm) | | | | |
| 110 | 98-7857 | 3 | Washer-Adjusting (1.325Mm) | | | | |
| 110 | 98-7858 | 3 | Washer-Adjusting (1.350Mm) | | | | |
| 110 | 98-7859 | 3 | Washer-Adjusting (1.375Mm) | | | | |



Nozzle Holder and Glow Plug Assembly

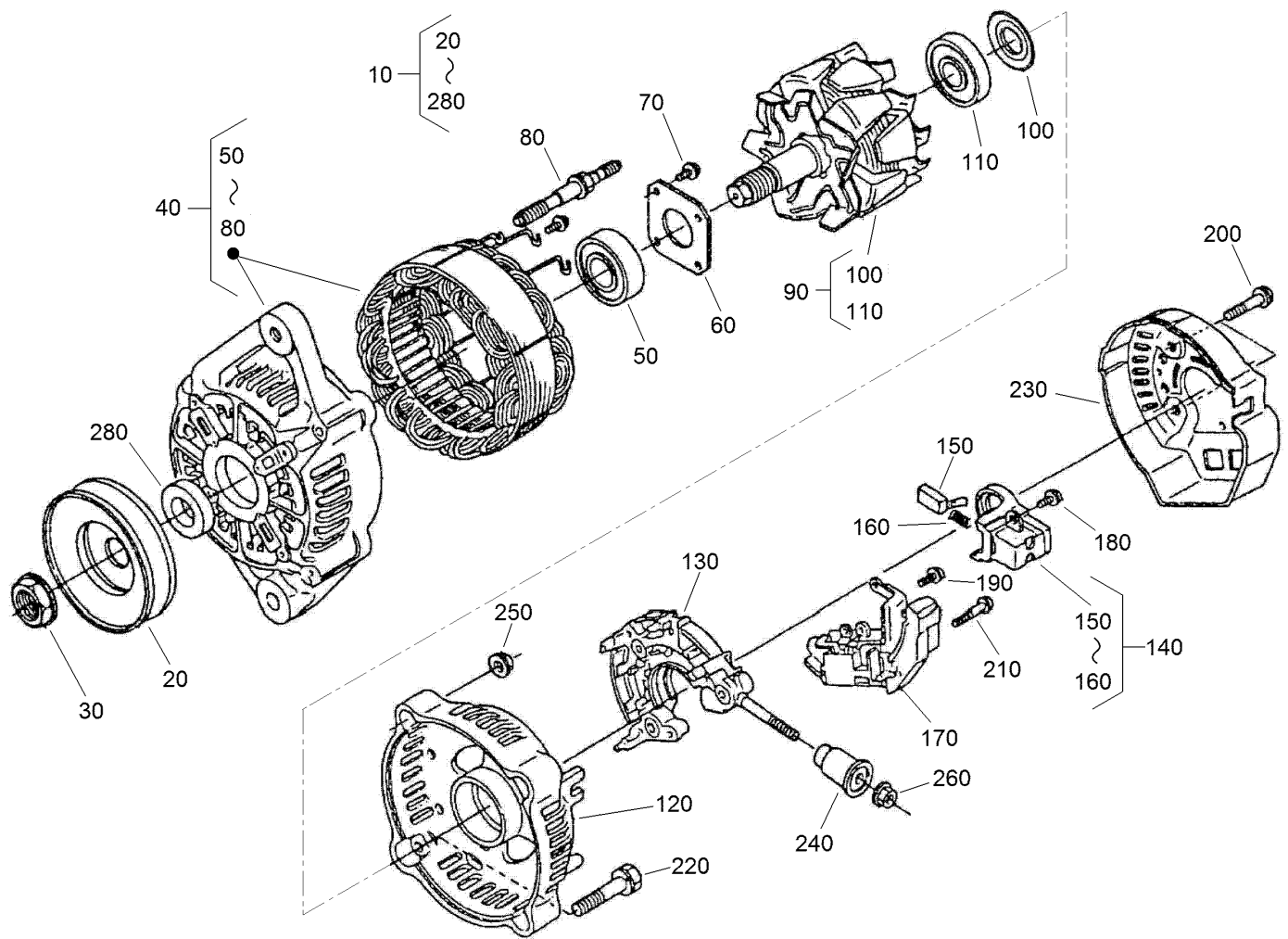
| Ref. | Part Number | Qty. | Description |
|------|-------------|------|--------------------|
| 10 | 110-3780 | 1 | Over Flow Pipe ASM |
| 20 | 98-9431 | 1 | Screw-Bleeder, Air |
| 30 | 98-7654 | 1 | Gasket |
| 50 | 130-1305 | 3 | Nozzle Holder Kit |
| 60 | 130-1303 | 3 | Nozzle Holder ASM |
| 65 | 121-2411 | 3 | Nut |
| 70 | 98-7676 | 3 | Gasket |
| 80 | 98-7677 | 3 | Seal-Heat |
| 90 | 130-1522 | 1 | Pipe-Injection |
| 100 | 130-1523 | 1 | Pipe-Injection |
| 110 | 130-1541 | 1 | Pipe-Injection |
| 120 | 98-7682 | 2 | Clamp-Pipe |
| 130 | 98-7683 | 2 | Clamp-Pipe |
| 140 | 98-7684 | 2 | Screw (W/Washer) |

| Ref. | Part Number | Qty. | Description |
|------|-------------|------|-----------------|
| 150 | 130-1411 | 3 | Plug-Glow |
| 160 | 110-3784 | 1 | Cord-Plug, Glow |
| 170 | 99-8377 | 3 | Nut-Flange |
| 190 | 110-3785 | 1 | Fuel Tube ASM |
| 200 | 110-3786 | 1 | Tube-Fuel |
| 210 | 98-7671 | 2 | Clip-Pipe |
| 220 | 110-3787 | 1 | Fuel Tube ASM |
| 230 | 110-3788 | 1 | Tube-Fuel |
| 240 | 98-7671 | 2 | Clip-Pipe |
| 250 | 112-8338 | 1 | Pipe-Joint, T |
| 260 | 110-3790 | 1 | Fuel Tube ASM |
| 270 | 110-3791 | 1 | Tube-Fuel |
| 280 | 98-7671 | 2 | Clip-Pipe |



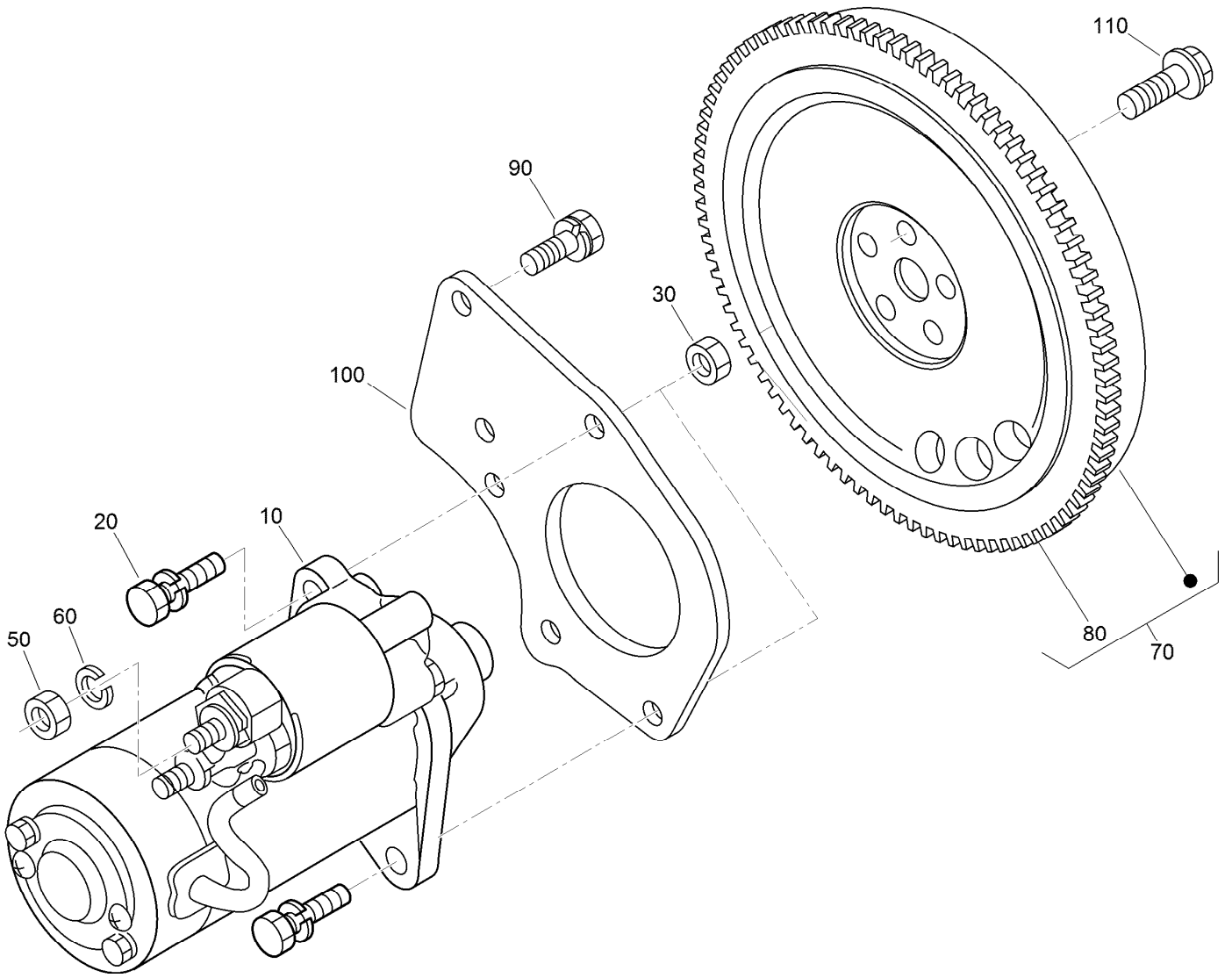
Alternator and Pulley Assembly

| <i>Ref.</i> | <i>Part Number</i> | <i>Qty.</i> | <i>Description</i> |
|-------------|--------------------|-------------|-----------------------|
| 10 | 117-5541 | 1 | 60 Amp Alternator ASM |
| 20 | 117-0314 | 1 | Stay-Alternator |
| 30 | 121-3800 | 1 | Bolt-Sems |
| 40 | 110-3793 | 1 | Bolt |
| 45 | 120-5832 | 1 | Washer-Plain |
| 50 | 110-3794 | 1 | Collar |
| 70 | 98-7605 | 2 | Bolt |
| 80 | 112-8339 | 1 | Pulley-Drive, Fan |
| 90 | 100-1978 | 1 | Bolt |
| 100 | 100-1921 | 1 | Pulley-Fan |
| 110 | 110-3796 | 1 | Belt-V |
| 120 | 117-0315 | 1 | Cover-Alternator |
| 130 | 99-8363 | 4 | Bolt-Flange |



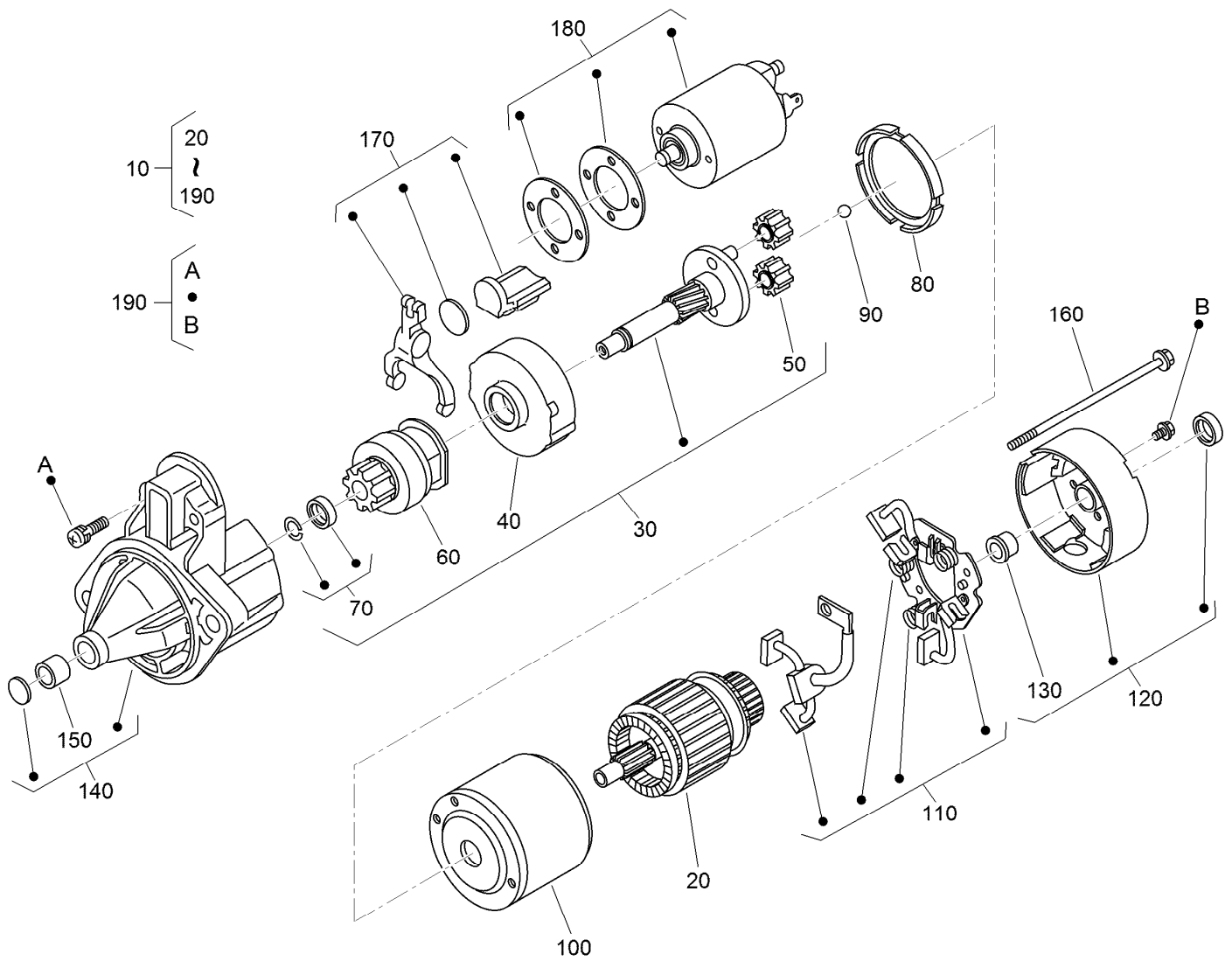
Alternator Components Assembly

| Ref. | Part Number | Qty. | Description | Ref. | Part Number | Qty. | Description |
|------|-------------|------|-----------------------|------|-------------|------|-------------------|
| 10 | 117-5541 | 1 | 60 Amp Alternator ASM | 150 | 98-7724 | 2 | Brush |
| 20 | 98-9453 | 1 | Pulley-Dynamo | 160 | 98-7725 | 2 | Spring-Brush |
| 30 | 98-7708 | 1 | Nut | 170 | 117-0319 | 1 | Regulator ASM |
| 40 | 117-0316 | 1 | Drive End Frame ASM | 180 | 98-7727 | 6 | Screw-Head, Round |
| 50 | 133-2811 | 1 | Bearing | 190 | 98-7728 | 1 | Screw-Head, Round |
| 60 | 98-7715 | 1 | Plate-Retainer | 200 | 98-7729 | 3 | Bolt |
| 70 | 98-7716 | 4 | Screw-Head, Round | 210 | 98-7726 | 2 | Screw-Head, Round |
| 80 | 98-7717 | 2 | Bolt-Through | 220 | 98-7731 | 2 | Bolt |
| 90 | 117-0317 | 1 | Rotor ASM | 230 | 117-0320 | 1 | Cover-End |
| 100 | 98-7711 | 1 | Cover-Bearing | 240 | 117-0321 | 1 | Insulation-Brush |
| 110 | 107-0138 | 1 | Bearing-Ball | 250 | 98-7730 | 2 | Nut |
| 120 | 133-2813 | 1 | Frame-End | 260 | 98-7732 | 1 | Nut |
| 130 | 117-0322 | 1 | Holder | 280 | 98-7709 | 1 | Collar |
| 140 | 107-0141 | 1 | Brush Holder ASM | | | | |



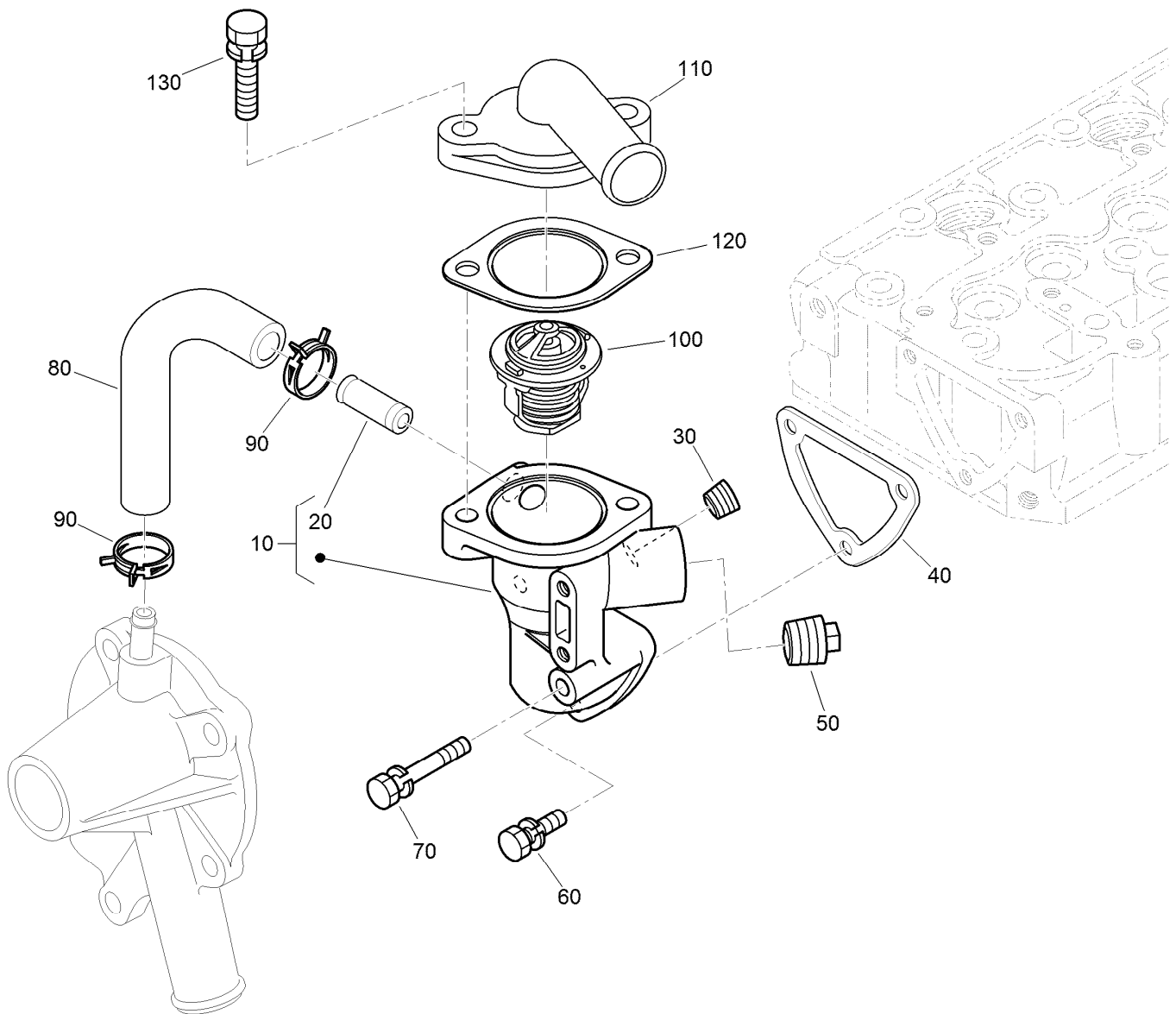
Starter and Flywheel Assembly

| Ref. | Part Number | Qty. | Description |
|------|-------------|------|-----------------|
| 10 | 110-3800 | 1 | Starter ASM |
| 20 | 98-7697 | 2 | Bolt |
| 30 | 98-7534 | 2 | Nut |
| 50 | 98-7534 | 1 | Nut |
| 60 | 105-2893 | 1 | Washer-Spring |
| 70 | 130-1496 | 1 | Flywheel ASM |
| 80 | 127-1604 | 1 | Gear-Ring |
| 90 | 100-1930 | 5 | Bolt-Flywheel |
| 100 | 117-0323 | 1 | Plate-End, Rear |
| 110 | 110-3754 | 3 | Bolt |



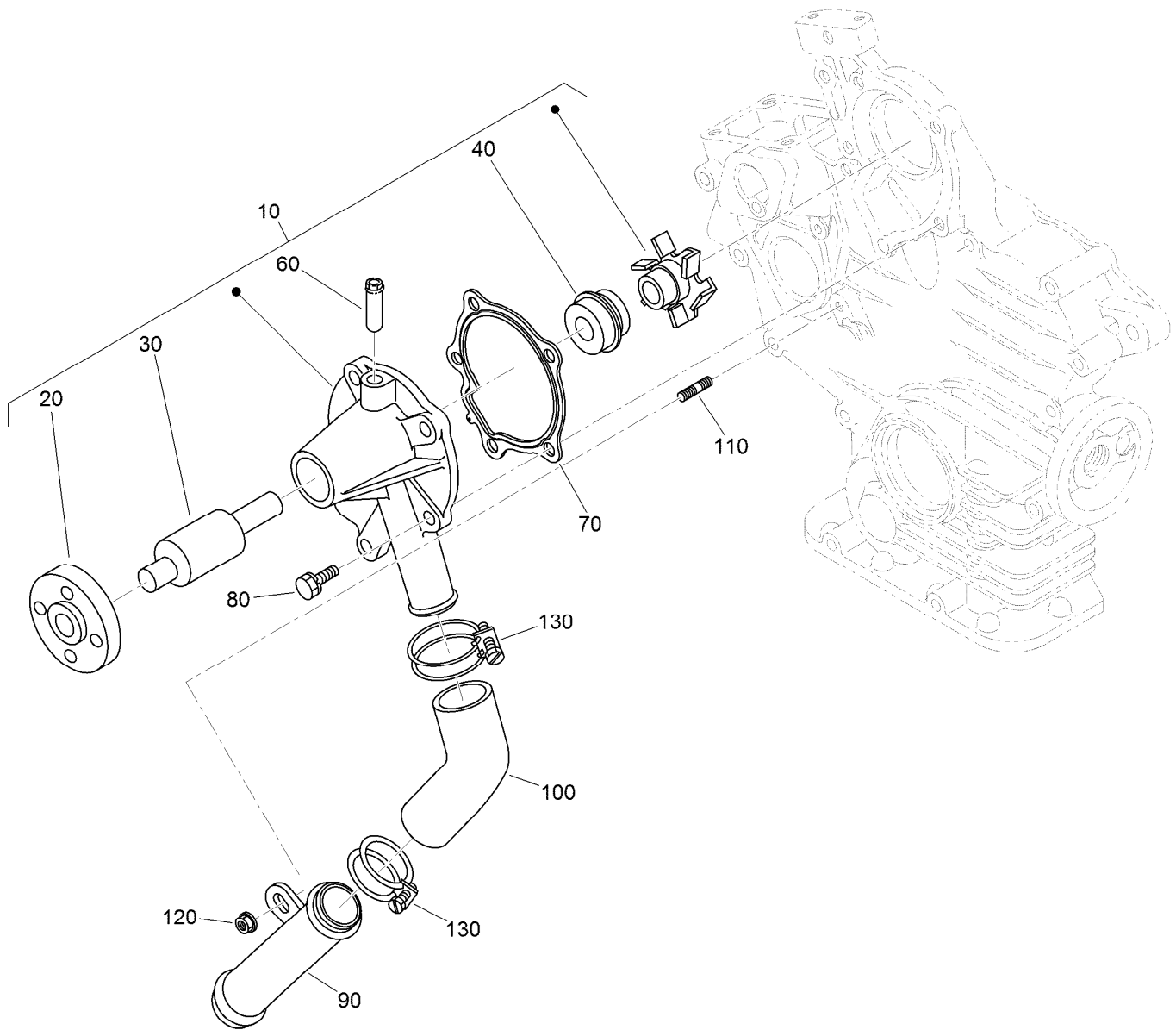
Starter Component Assembly

| <i>Ref.</i> | <i>Part Number</i> | <i>Qty.</i> | <i>Description</i> | <i>Ref.</i> | <i>Part Number</i> | <i>Qty.</i> | <i>Description</i> |
|-------------|--------------------|-------------|----------------------|-------------|--------------------|-------------|--------------------|
| 10 | 110-3800 | 1 | Starter ASM | 110 | 110-3810 | 1 | Brush Holder ASM |
| 20 | 110-3801 | 1 | Armature | 120 | 110-3811 | 1 | Rear Bracket ASM |
| 30 | 110-3802 | 1 | Shaft ASM | 130 | 110-3812 | 1 | Bushing |
| 40 | 120-3142 | 1 | Gear-Internal | 140 | 110-3813 | 1 | Front Bracket ASM |
| 50 | 110-3804 | 3 | Gear-Planetary | 150 | 110-3814 | 1 | Bushing |
| 60 | 110-3805 | 1 | Clutch-Running, Over | 160 | 110-3815 | 2 | Bolt |
| 70 | 110-3806 | 1 | Stopper | 170 | 110-3816 | 1 | Fork Lever ASM |
| 80 | 120-3143 | 1 | Gasket | 180 | 125-9099 | 1 | Switch-Magnetic |
| 90 | 110-3808 | 1 | Ball | 190 | 110-3818 | 1 | Screws (Set Of 4) |
| 100 | 130-1295 | 1 | Yoke | | | | |



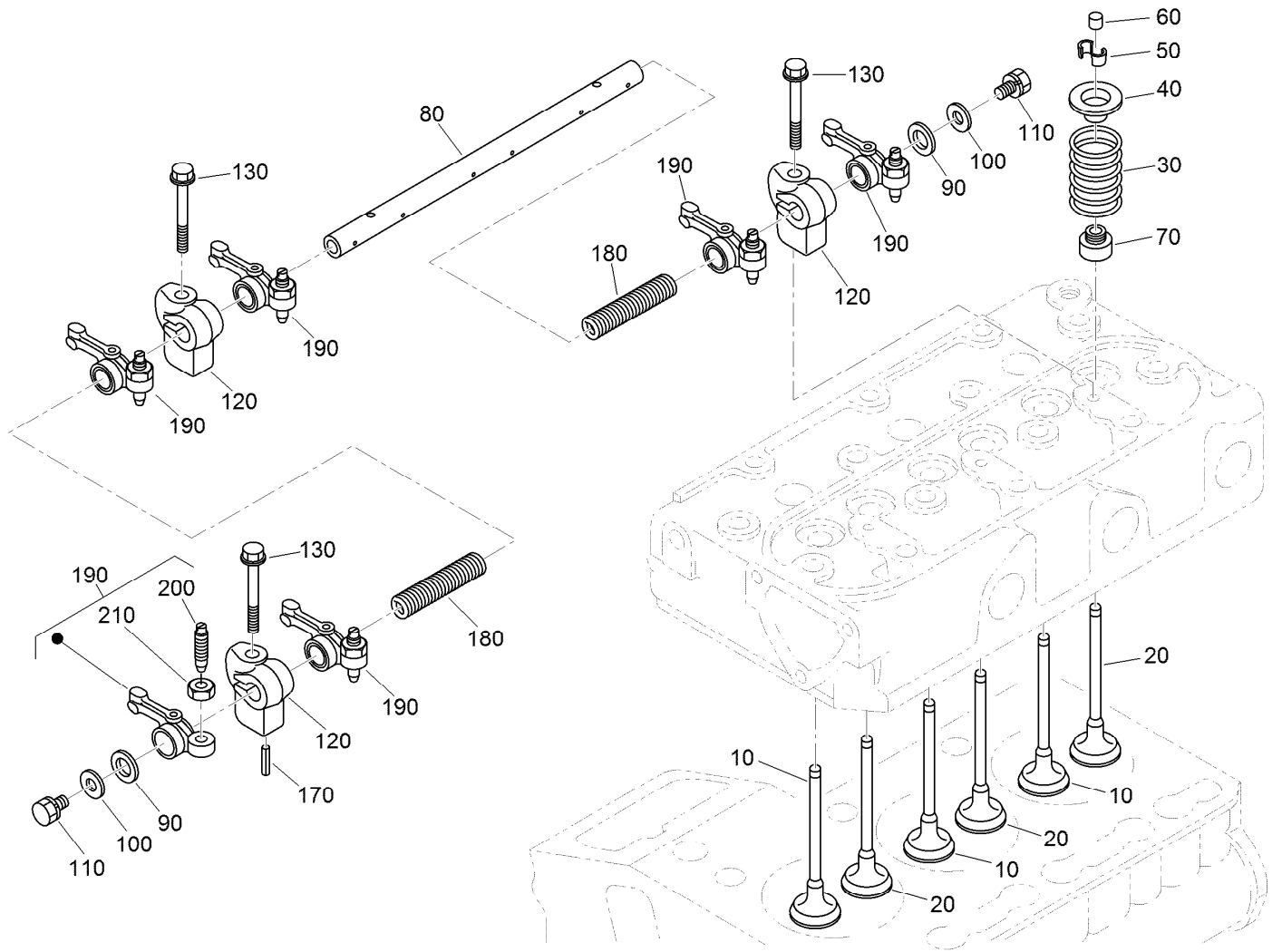
Water Flange and Thermostat Assembly

| <i>Ref.</i> | <i>Part Number</i> | <i>Qty.</i> | <i>Description</i> |
|-------------|--------------------|-------------|----------------------|
| 10 | 110-3819 | 1 | Water Flange ASM |
| 20 | 98-9580 | 1 | Pipe-Return, Water |
| 30 | 98-9444 | 1 | Plug |
| 40 | 110-3820 | 1 | Gasket-Flange, Water |
| 50 | 110-3821 | 1 | Plug |
| 60 | 98-7692 | 2 | Bolt |
| 70 | 125-9063 | 1 | Bolt-Sems |
| 80 | 110-3822 | 1 | Pipe-Return, Water |
| 90 | 125-9078 | 2 | Clamp-Hose |
| 100 | 98-7778 | 1 | Thermostat ASM |
| 110 | 110-3823 | 1 | Cover-Thermostat |
| 120 | 105-3748 | 1 | Gasket-Thermostat |
| 130 | 98-7777 | 2 | Bolt |



Water Pump and Water Pipe Assembly

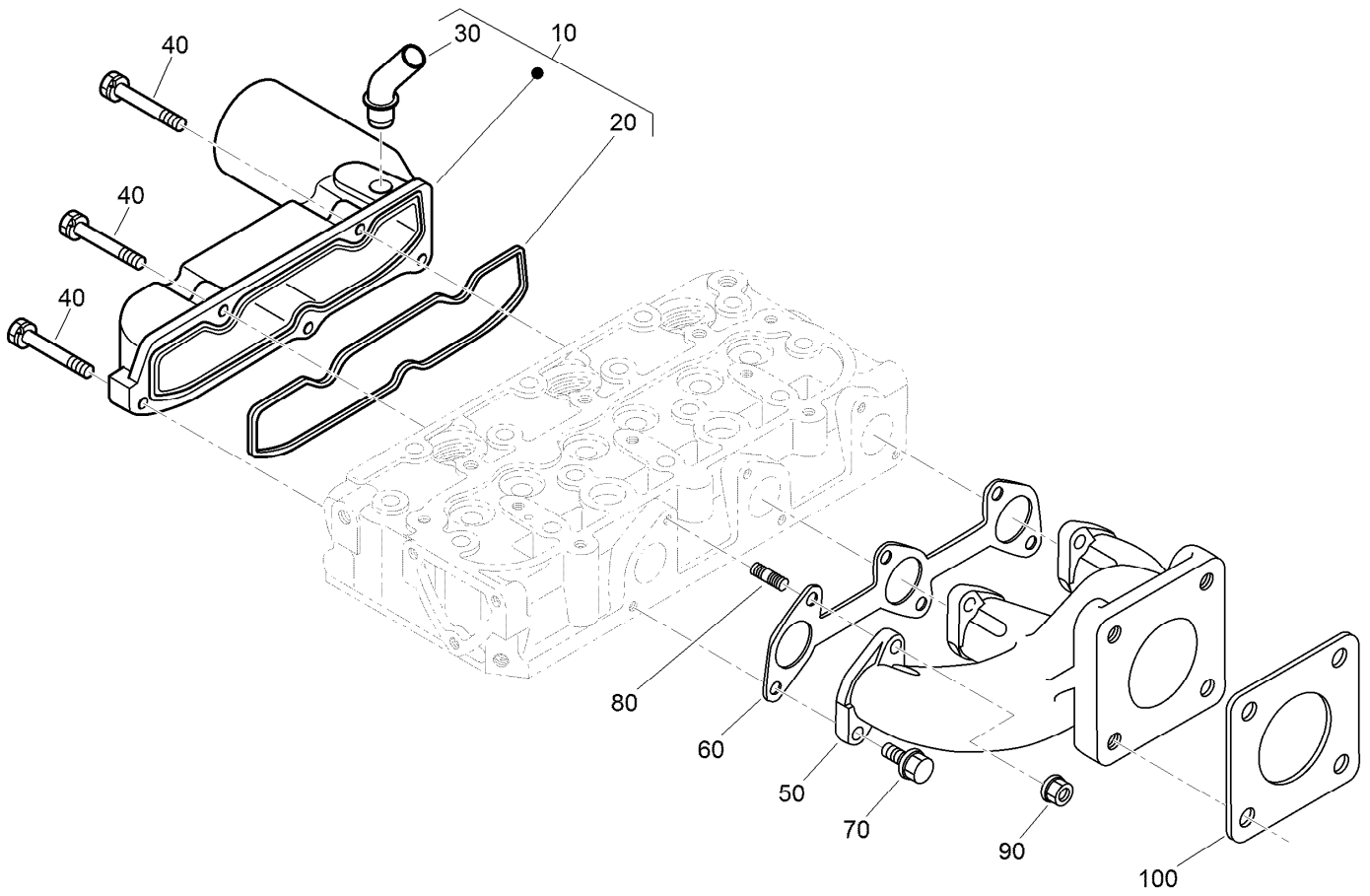
| <i>Ref.</i> | <i>Part Number</i> | <i>Qty.</i> | <i>Description</i> |
|-------------|--------------------|-------------|---------------------|
| 10 | 110-3824 | 1 | Water Pump ASM |
| 20 | 125-9081 | 1 | Flange-Pump, Water |
| 30 | 100-1934 | 1 | Bearing-Ball |
| 40 | 99-3518 | 1 | Water Pump Seal ASM |
| 60 | 100-1932 | 1 | Pipe-Return, Water |
| 70 | 117-0330 | 1 | Gasket-Pump, Water |
| 80 | 100-1750 | 4 | Bolt |
| 90 | 100-1918 | 1 | Pipe-Water |
| 100 | 110-3827 | 1 | Pipe-Water |
| 110 | 100-1924 | 1 | Stud |
| 120 | 100-2203 | 1 | Nut-Flange |
| 130 | 110-3828 | 2 | Band-Pipe |



Valve and Rocker Arm Assembly

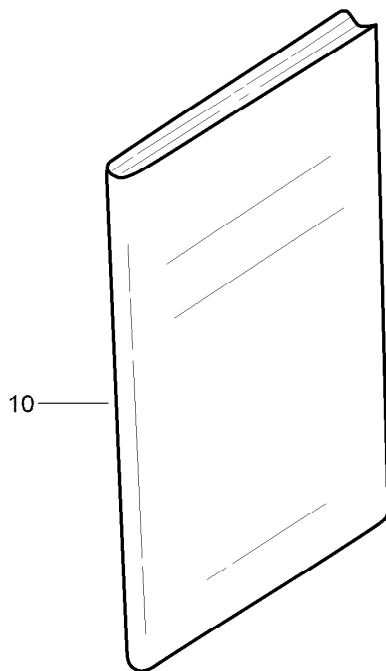
| Ref. | Part Number | Qty. | Description |
|------|-------------|------|------------------------|
| 10 | 112-2514 | 3 | Valve-Inlet |
| 20 | 112-2515 | 3 | Valve-Exhaust |
| 30 | 100-1823 | 6 | Spring-Valve |
| 40 | 100-1825 | 6 | Retainer-Spring, Valve |
| 50 | 120-3136 | 6 | Collet-Spring, Valve |
| 60 | 100-2155 | 6 | Cap-Valve |
| 70 | 100-1797 | 6 | Seal-Stem, Valve |
| 80 | 112-8341 | 1 | Shaft-Arm, Rocker |
| 90 | 100-2044 | 2 | Washer |

| Ref. | Part Number | Qty. | Description |
|------|-------------|------|---------------------|
| 100 | 110-3832 | 2 | Washer-Plain |
| 110 | 100-1762 | 2 | Bolt |
| 120 | 110-3833 | 3 | Bracket-Arm, Rocker |
| 130 | 110-3834 | 3 | Bolt-Flange |
| 170 | 98-7602 | 1 | Pin-Spring |
| 180 | 112-8342 | 2 | Spring |
| 190 | 100-1884 | 6 | Rocker Arm ASM |
| 200 | 100-1885 | 6 | Screw-Adjusting |
| 210 | 100-1827 | 6 | Nut |



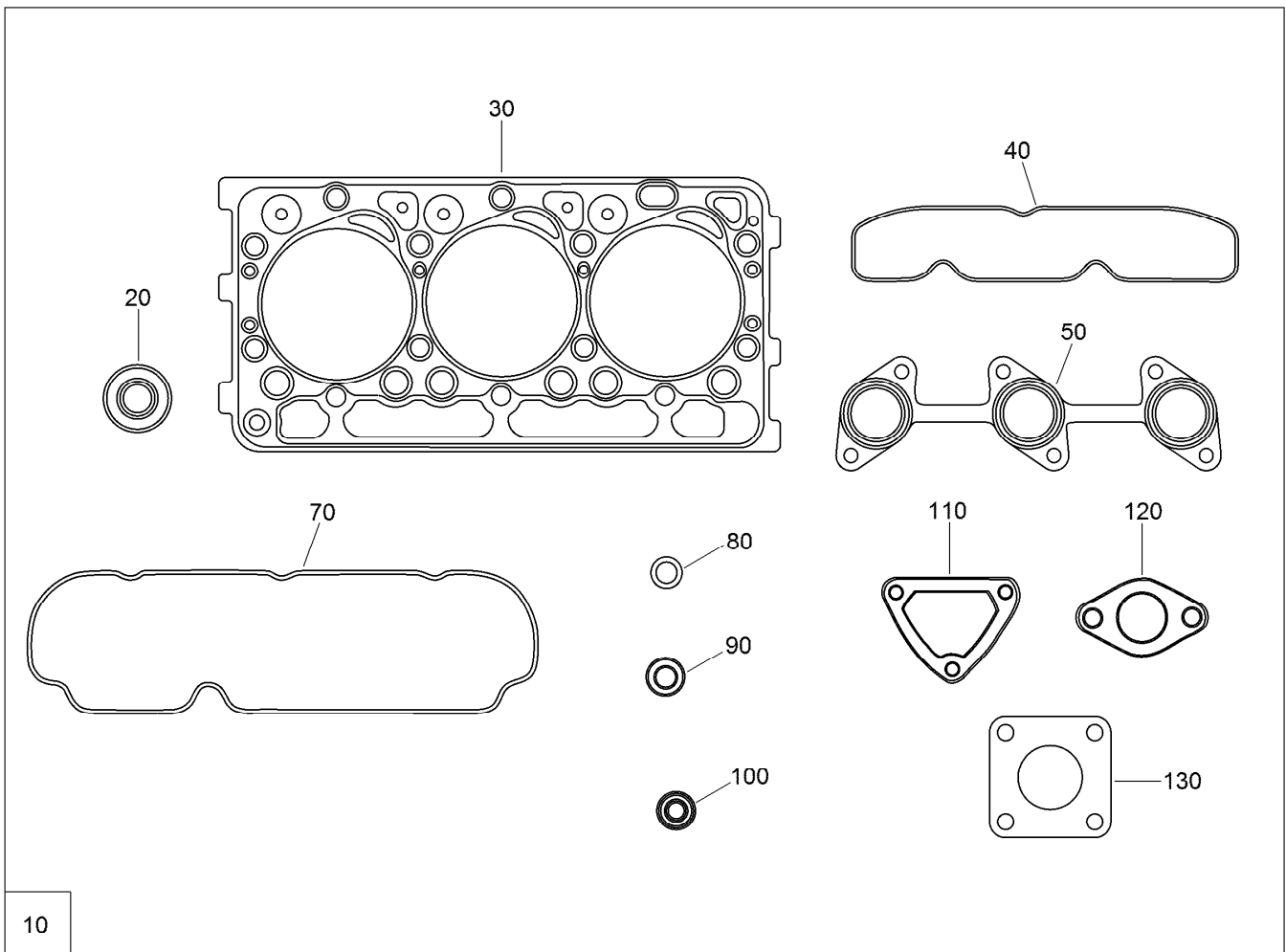
Inlet and Exhaust Manifold Assembly

| <i>Ref.</i> | <i>Part Number</i> | <i>Qty.</i> | <i>Description</i> |
|-------------|--------------------|-------------|--------------------------|
| 10 | 120-3141 | 1 | Intake Manifold ASM |
| 20 | 110-3838 | 1 | Gasket-Manifold, Intake |
| 30 | 121-2417 | 1 | Pipe-Breather |
| 40 | 98-9352 | 5 | Bolt |
| 50 | 110-3839 | 1 | Manifold-Exhaust |
| 60 | 110-3840 | 1 | Gasket-Manifold, Exhaust |
| 70 | 130-1154 | 3 | Screw-Hex HD |
| 80 | 130-1156 | 3 | Bolt-Stud |
| 90 | 100-1778 | 3 | Nut |
| 100 | 99-8343 | 1 | Gasket-Muffler |



Miscellaneous Engine Parts

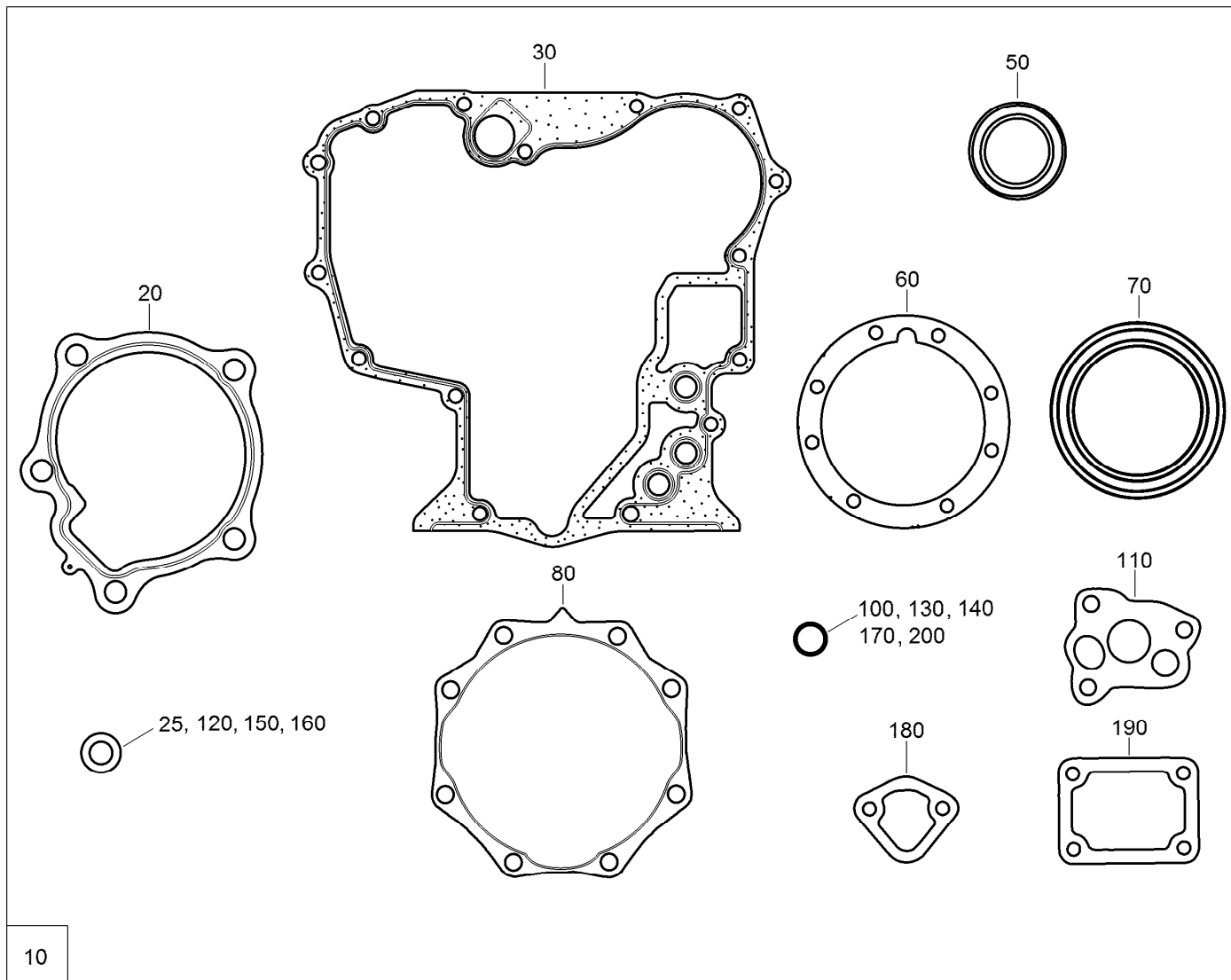
| <i>Ref.</i> | <i>Part Number</i> | <i>Qty.</i> | <i>Description</i> |
|-------------|--------------------|-------------|--------------------|
| 10 | 130-1513 | 1 | Manual-Operator |



10

Upper Engine Gasket Kit

| Ref. | Part Number | Qty. | Description |
|------|-------------|------|--------------------------|
| 10 | 112-2518 | 1 | Upper Gasket Kit |
| 20 | 100-1797 | 6 | Seal-Stem, Valve |
| 30 | 112-2520 | 1 | Gasket-Head, Cylinder |
| 40 | 110-3838 | 1 | Gasket-Manifold, Intake |
| 50 | 110-3840 | 1 | Gasket-Manifold, Exhaust |
| 70 | 112-2521 | 1 | Gasket-Cover, Head |
| 80 | 99-3446 | 1 | O-Ring |
| 90 | 98-7676 | 3 | Gasket |
| 100 | 98-7677 | 3 | Seal-Heat |
| 110 | 110-3820 | 1 | Gasket-Flange, Water |
| 120 | 105-3748 | 1 | Gasket-Thermostat |
| 130 | 99-8343 | 1 | Gasket-Muffler |



Lower Engine Gasket Kit

| <i>Ref.</i> | <i>Part Number</i> | <i>Qty.</i> | <i>Description</i> | <i>Ref.</i> | <i>Part Number</i> | <i>Qty.</i> | <i>Description</i> |
|-------------|--------------------|-------------|----------------------|-------------|--------------------|-------------|-----------------------|
| 10 | 130-1388 | 1 | Lower Gasket Kit | 120 | 98-7654 | 1 | Gasket |
| 20 | 117-0330 | 1 | Gasket-Pump, Water | 130 | 105-3776 | 1 | O-Ring |
| 25 | 98-7524 | 1 | Gasket | 140 | 100-2207 | 1 | O-Ring |
| 30 | 117-0327 | 1 | Gasket-Case, Gear | 150 | 98-7654 | 2 | Gasket |
| 50 | 120-7852 | 1 | Seal-Oil | 160 | 110-9715 | 1 | Gasket-Pan, Oil |
| 60 | 112-2812 | 1 | Gasket-Case, Bearing | 170 | 100-2208 | 1 | O-Ring |
| 70 | 110-3724 | 1 | Seal-Oil | 180 | 98-9636 | 1 | Gasket-Pump, Fuel |
| 80 | 100-1876 | 1 | Gasket-Cover, Case | 190 | 100-1962 | 1 | Gasket-Plate, Control |
| 100 | 100-2209 | 1 | O-Ring | 200 | 110-3762 | 1 | O-Ring |
| 110 | 100-2003 | 1 | Gasket-Pump, Oil | | | | |

Attachments and Accessories

For 74274 Z Master Professional 7000 Series Riding Mower With 72in TURBO FORCE Side Discharge Mower

| Product Name | Model/Part |
|-------------------------------------|-------------------|
| Bimini Folding Shade Assembly | 115-4510 |
| Seat Cover W/arm rest | 117-0095 |
| Hypr-Oil 500 (quart) | 114-4713 |
| Hypr-Oil 500 (gallon)..... | 114-4714 |
| Hypr-Oil 500-5 (5 gallon)..... | 114-4715 |
| Deluxe Suspension Seat Kit | 78530 |
| Recycler Kit | 107-1612 |
| Blade-Hi Flow, 24.5in..... | 105-7784-03 |
| Blade-Mid Flow, 24.5in | 105-7711-03 |
| Blade-Lo Flow, 24.5in | 105-7712-03 |
| Blade-Atomic, 24.5in | 105-7719-03 |
| Blade-Recycler, 24.5in | 105-7778-03 |
| 6 Pack Blade, 24.5in Hi-Flow | 108-1120 |
| Light Kit..... | 107-9880 |
| 6 Pack-Blade, 24.5in Mid-Flow | 110-0404 |
| 6 Pack-Blade, 24.5in Lo-Flow | 110-0410 |
| 6 Pack Blade, 24.5in Atomic | 108-1126 |
| Chute Gate Kit | 78522 |
| 6 Pack-Blade, 24.5in Recycler..... | 110-0411 |
| Striping Kit | 107-1630 |
| Roller Striping Kit..... | 108-2162 |
| Z Stand Kit | 105-1622 |
| Filter Minder Gauge | 99-4664 |
| Hitch Kit | 99-8925 |
| Turbo Baffle Kit | 107-1634 |
| Blower and Drive Kit | 78539 |
| Deck Triple Bag Assembly | 78535 |
| DFS E-Z Vac Bagger | 78545 |
| 1.25in Spark Arrester Kit..... | 105-1672 |
| MVP Belt and Blade Kit..... | 127-1643 |

Notes:

Notes:

Notes:



Count on it.