



Count on it.

Parts Catalog

Rear Roller Brush MVP Kit

**Reelmaster® 5010-H Series Cutting Unit with
7in Reel**

Model No. 133-0158



Ordering Replacement Parts

To order replacement parts, please supply the part number, the quantity, and the description of each part desired.

Understanding Reference Numbers

Each identified part in an illustration has a reference number. The reference number for a part also appears in the parts list, along with other information about the part.

This catalog uses two special reference number formats, one to indicate parts in a service assembly and another to indicate the quantity of a given part in an illustration.

Service Assembly Reference Numbers

Parts in service assemblies have reference numbers in the form a:b. The a represents the reference number of the entire service assembly and the b represents a sequential number unique to each part within the service assembly.

For example, a wheel assembly might be identified by reference number 6, the tire by 6:1, the valve by 6:2, and the wheel by 6:3. When you order the assembly identified by reference number 6, you receive all parts identified by reference numbers 6:1, 6:2, and 6:3. However, you may also order any part individually. Reference numbers of this type appear in illustration and in parts lists.

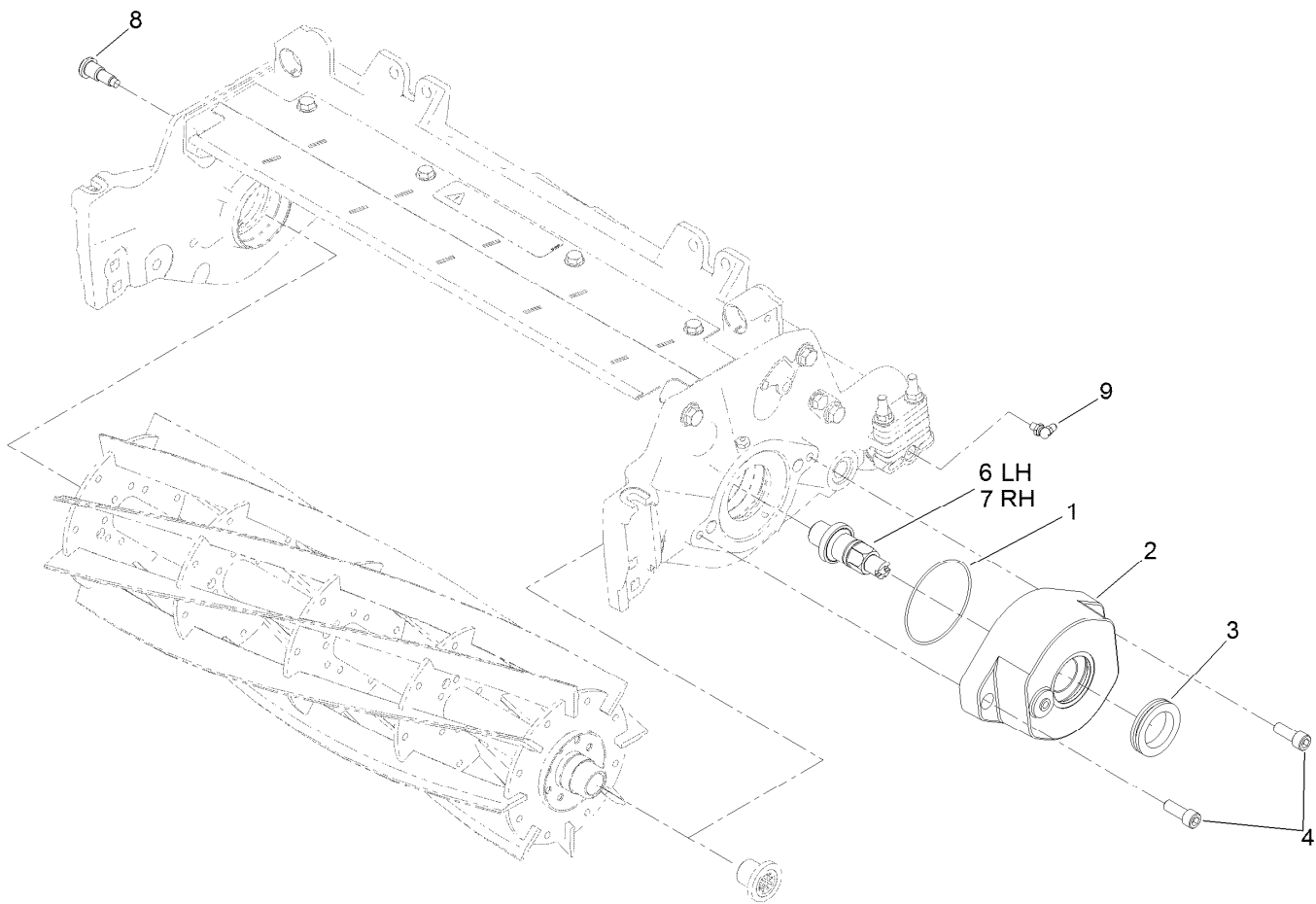
Reference Numbers Indicating Quantity

In an illustration, if a reference number indicates more than one part, the reference number has the form nX y. The n represents the quantity of the part, the X is the multiplication symbol, and the y represents the reference number.

For example, in an illustration, the reference number 2X 37 means that two of the parts identified by reference number 37 are indicated.

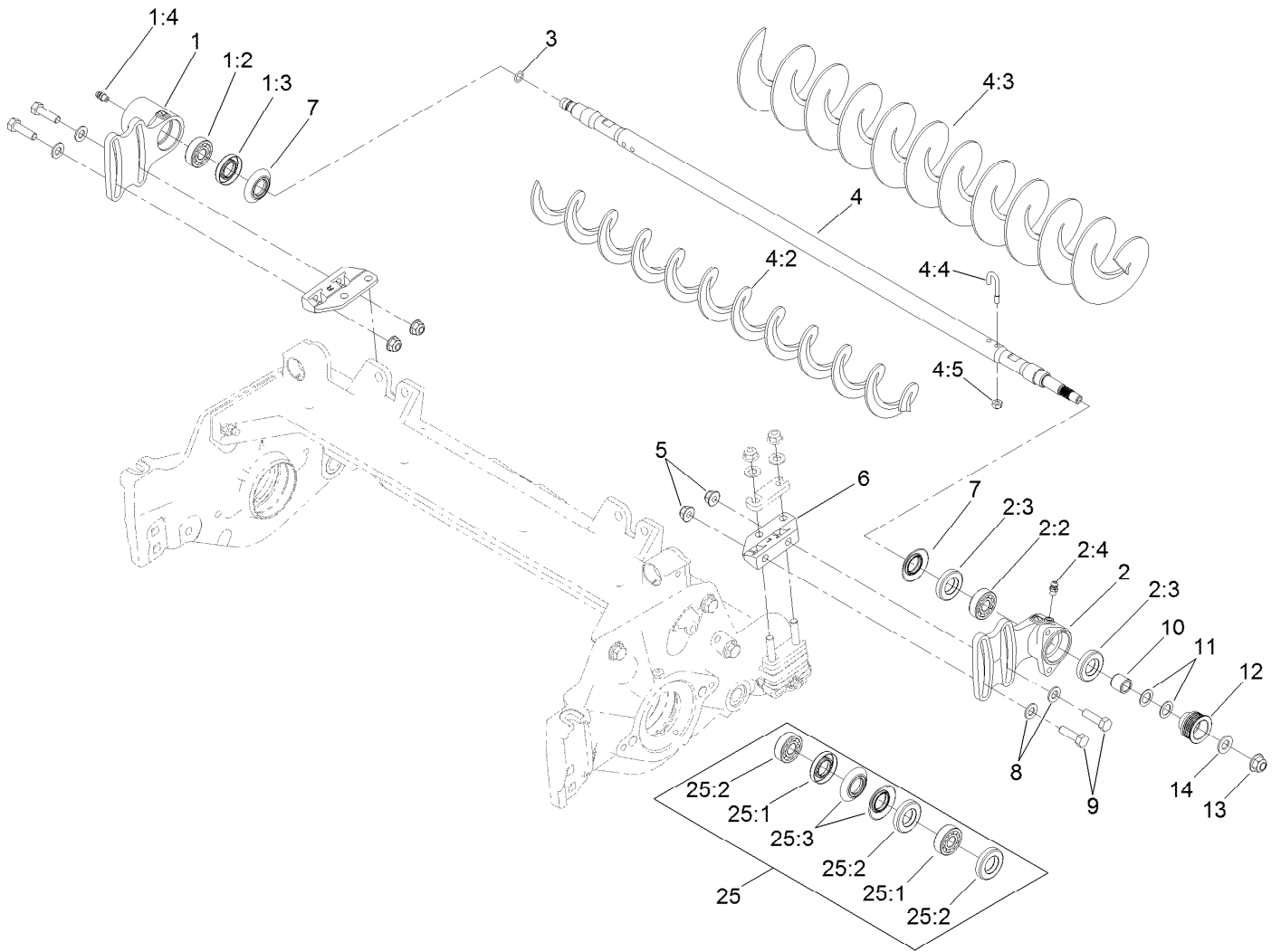
Contents

Weight Assembly 4
Roller Brush Assembly 5
Plate Assembly 6



Weight Assembly

<i>Ref.</i>	<i>Part Number</i>	<i>Qty.</i>	<i>Description</i>
1	112-6967	1	O-Ring
2	108-4203	1	Housing-Bearing, Drive
3	240-7	1	Grommet-Rubber
4	3274-7	2	Screw-HSH
6	125-2788	1	Shaft-Drive, LH
7	125-2787	1	Shaft-Drive, RH
8	127-7122	1	Bolt-Shoulder, Flange Hex Socket
9	104-1843	1	Fitting-Grease, 90 DEG



Roller Brush Assembly

Ref.	Part Number	Qty.	Description	Ref.	Part Number	Qty.	Description
1	127-7134	1	Non Driven Bearing Housing ASM	4:5	3296-2	2	Nut-Lock, NI
1:2	95-0707	1	Bearing-Aligning, Self	5	104-8300	4	Nut-HF, NI
1:3	106-8530	1	Seal-Grease	6	108-4480	2	Bracket-Mounting
1:4	302-5	1	Fitting-Grease	7	108-4172	2	Seal-Excluder
2	127-7138	1	Driven Bearing Housing ASM	8	94-6936	4	Washer-Hardened
2:2	95-0707	1	Bearing-Aligning, Self	9	322-16	4	Screw-HH
2:3	106-8530	2	Seal-Grease	10	127-7139	1	Spacer-Pulley, Driven
2:4	302-5	1	Fitting-Grease	11	112-6957	2	Washer-Hardened
3	107-8844	1	O-Ring	12	115-0821	1	Pulley-Driven, RRB (5-Rib)
4	127-7146	1	22 Inch Roller Brush ASM	13	104-8301	1	Nut-HF, NI
4:2	108-4193	1	Brush-Roller	14	48-9220	1	Washer-Plain
4:3	110-1740	1	Brush-Roller, High HOC ●	25	131-3233	1	Groomer/RRB Seal Kit ●
4:4	105-9632	2	Bolt-J	25:1	95-0707	2	Bearing-Aligning, Self
				25:2	106-8530	3	Seal-Grease
				25:3	108-4172	2	Seal-Excluder

● Optional Equipment

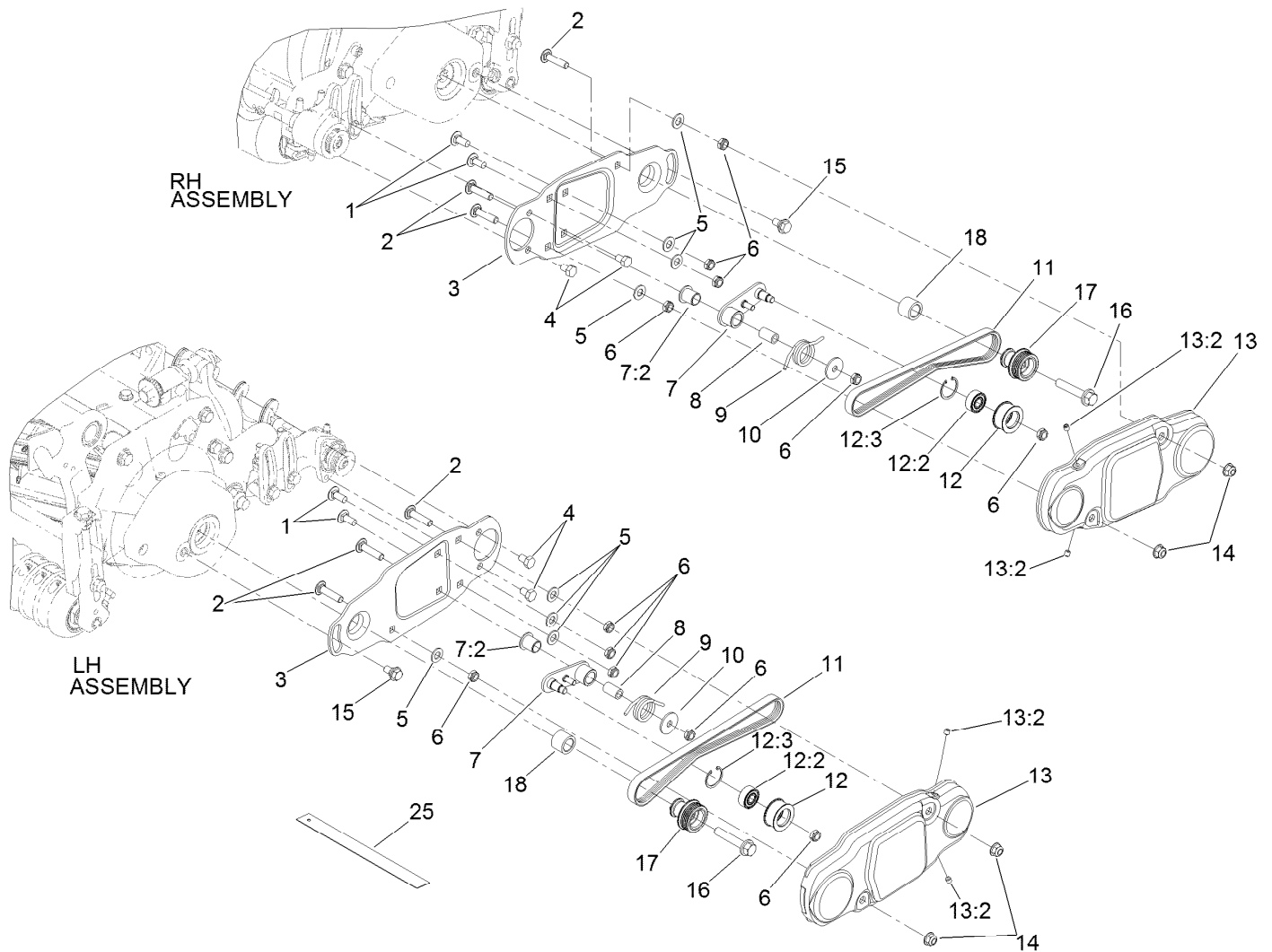


Plate Assembly

Ref.	Part Number	Qty.	Description	Ref.	Part Number	Qty.	Description
1	3230-23	2	Screw-CARR	12	114-9397	1	Idler Pulley ASM
2	112-6950	3	Screw-CARR	12:2	110-1701	1	Bearing
3	115-0814-03	1	Plate-Brush, 7 Inch	12:3	32151-60	1	Ring-Snap
4	322-1	2	Screw-HH	13	115-0830	1	Brush Cover ASM
5	3256-45	4	Washer-Flat	13:2	108-0989	2	Screw-Set
6	3296-47	6	Nut-Lock, NI	14	104-8300	2	Nut-HF, NI
7	115-0834	1	Idler Arm ASM	15	27-0411	1	Screw-Shoulder
7:2	125-8775	1	Bushing-Flange	16	66-9302	1	Screw-HHF, Whiz
8	115-0826	1	Spacer-Idler	17	115-0832	1	Pulley-Driver
9	115-0839	1	Spring-Idler	18	108-4477	1	Spacer
10	5-4460	1	Washer-Pivot	25	114-5446	1	Tool-Alignment ●
11	115-0833	1	Belt-Brush, 7 Inch				

● Optional Equipment

Notes:



Count on it.