



Count on it.

Parts Catalog

Workman® GTX

Electric Utility Vehicle with Extended Chassis

Model No. 07043EX—Serial No. 400000000 and Up



Ordering Replacement Parts

To order replacement parts, please supply the part number, the quantity, and the description of each part desired.

Understanding Reference Numbers

Each identified part in an illustration has a reference number. The reference number for a part also appears in the parts list, along with other information about the part.

This catalog uses two special reference number formats, one to indicate parts in a service assembly and another to indicate the quantity of a given part in an illustration.

Service Assembly Reference Numbers

Parts in service assemblies have reference numbers in the form a:b. The a represents the reference number of the entire service assembly and the b represents a sequential number unique to each part within the service assembly.

For example, a wheel assembly might be identified by reference number 6, the tire by 6:1, the valve by 6:2, and the wheel by 6:3. When you order the assembly identified by reference number 6, you receive all parts identified by reference numbers 6:1, 6:2, and 6:3. However, you may also order any part individually. Reference numbers of this type appear in illustration and in parts lists.

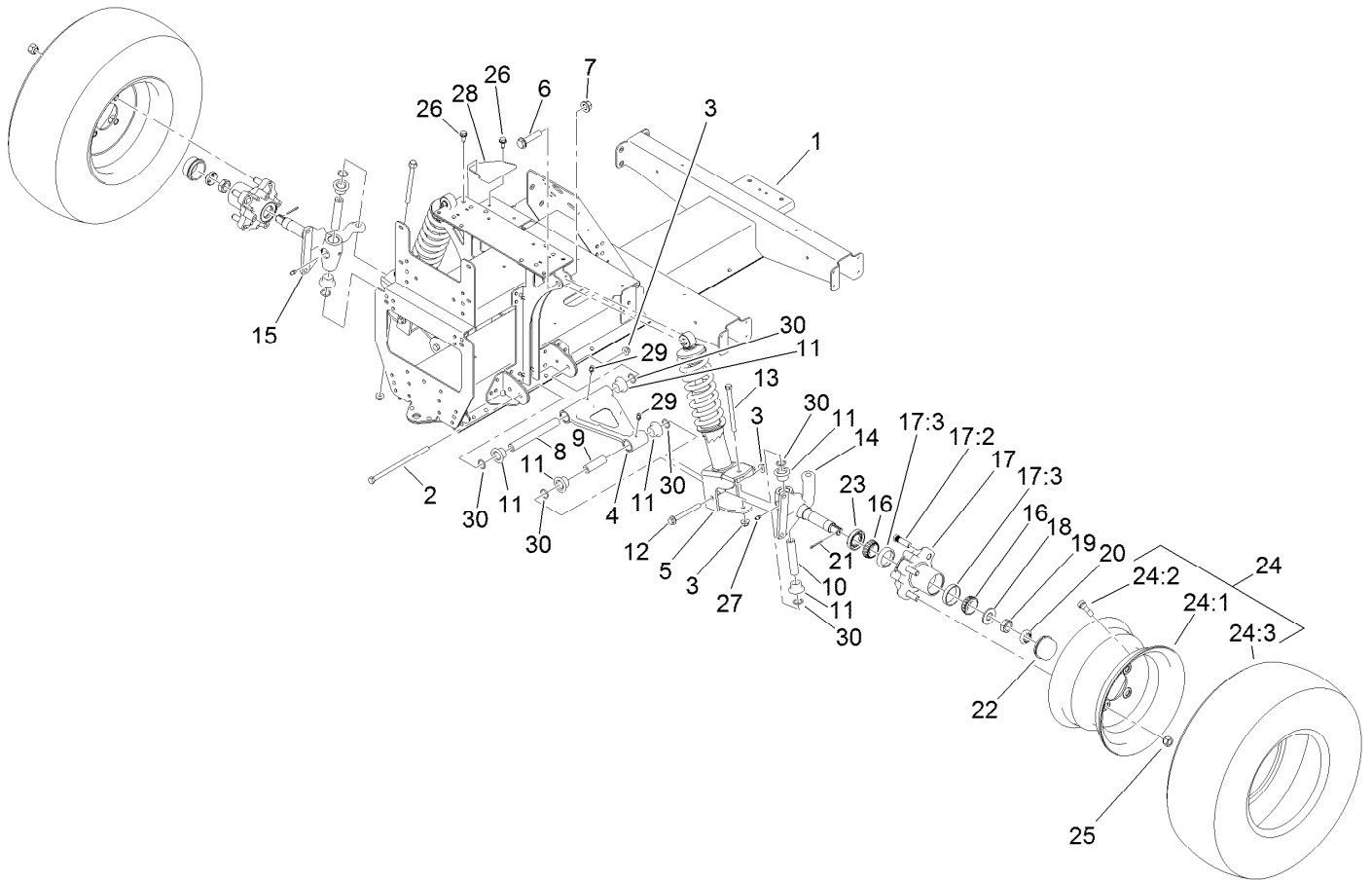
Reference Numbers Indicating Quantity

In an illustration, if a reference number indicates more than one part, the reference number has the form nX y. The n represents the quantity of the part, the X is the multiplication symbol, and the y represents the reference number.

For example, in an illustration, the reference number 2X 37 means that two of the parts identified by reference number 37 are indicated.

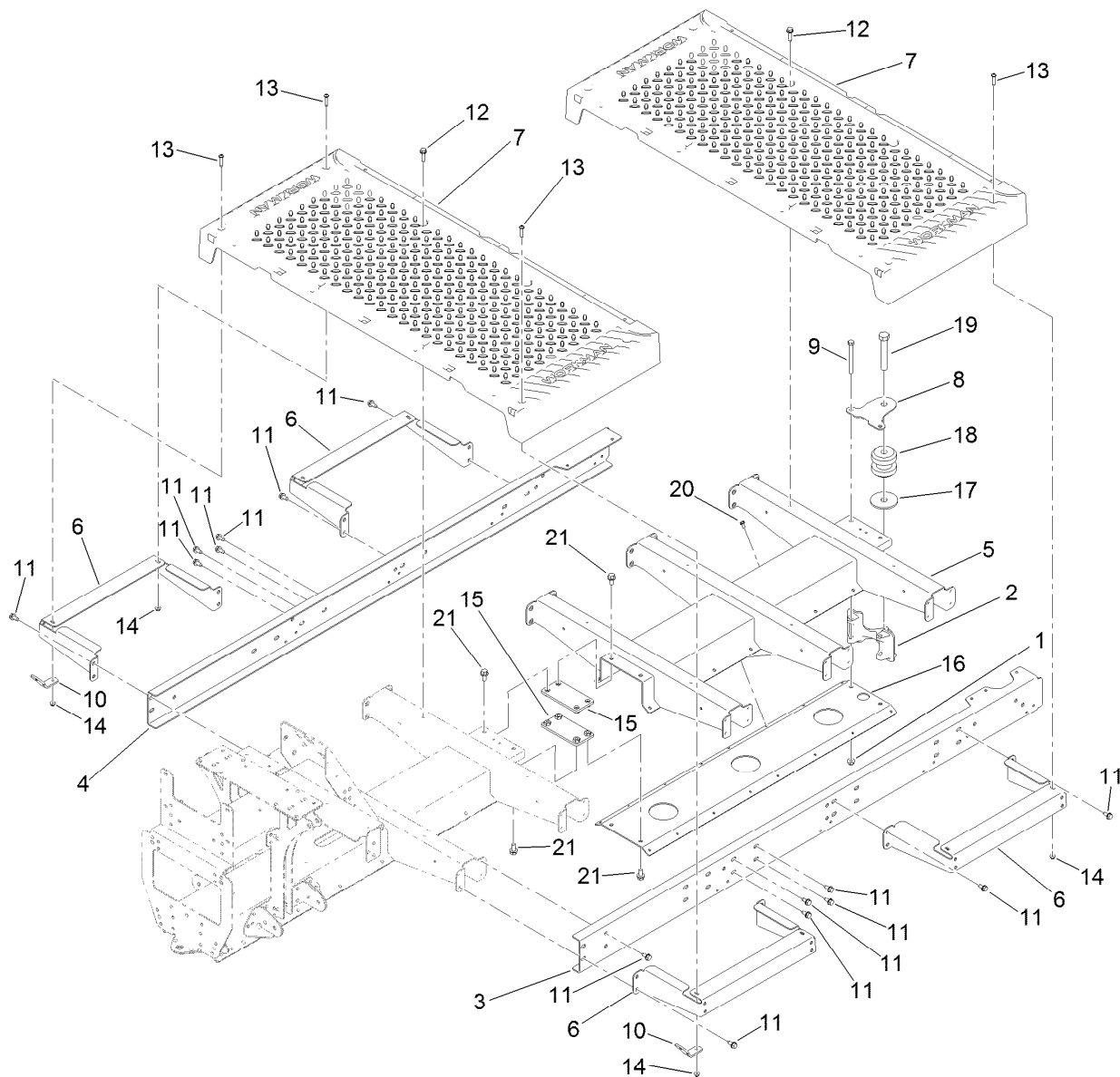
Contents

Front Frame and Suspension Assembly	4
Floor Plate and Rear Suspension Mount Assembly	5
Rear Frame and Suspension Assembly	6
Frame Mount and Rear Shock/Spring Assembly	7
Brake Assembly	8
Master Cylinder Assembly No. 104-6782	9
Brake Caliper Assembly No. 127-7424	10
Steering Assembly	11
Pedal and Control Assembly	12
Hood and Fender Assembly	13
Dash Assembly	14
Seatbase Assembly	15
Cargo Bed Assembly	17
Battery Assembly	18
Rear Axle and Motor Assembly	19
Transaxle Assembly No. 136-6340	20
Electric Motor Assembly No. 131-8485	21
Controller Assembly	22
Sevcon Controller Assembly No. 127-2767	24
Onboard Charger Assembly No. 131-8490	25
Accelerator Pedal and Key Switch Assembly	26
Attachments and Accessories	27



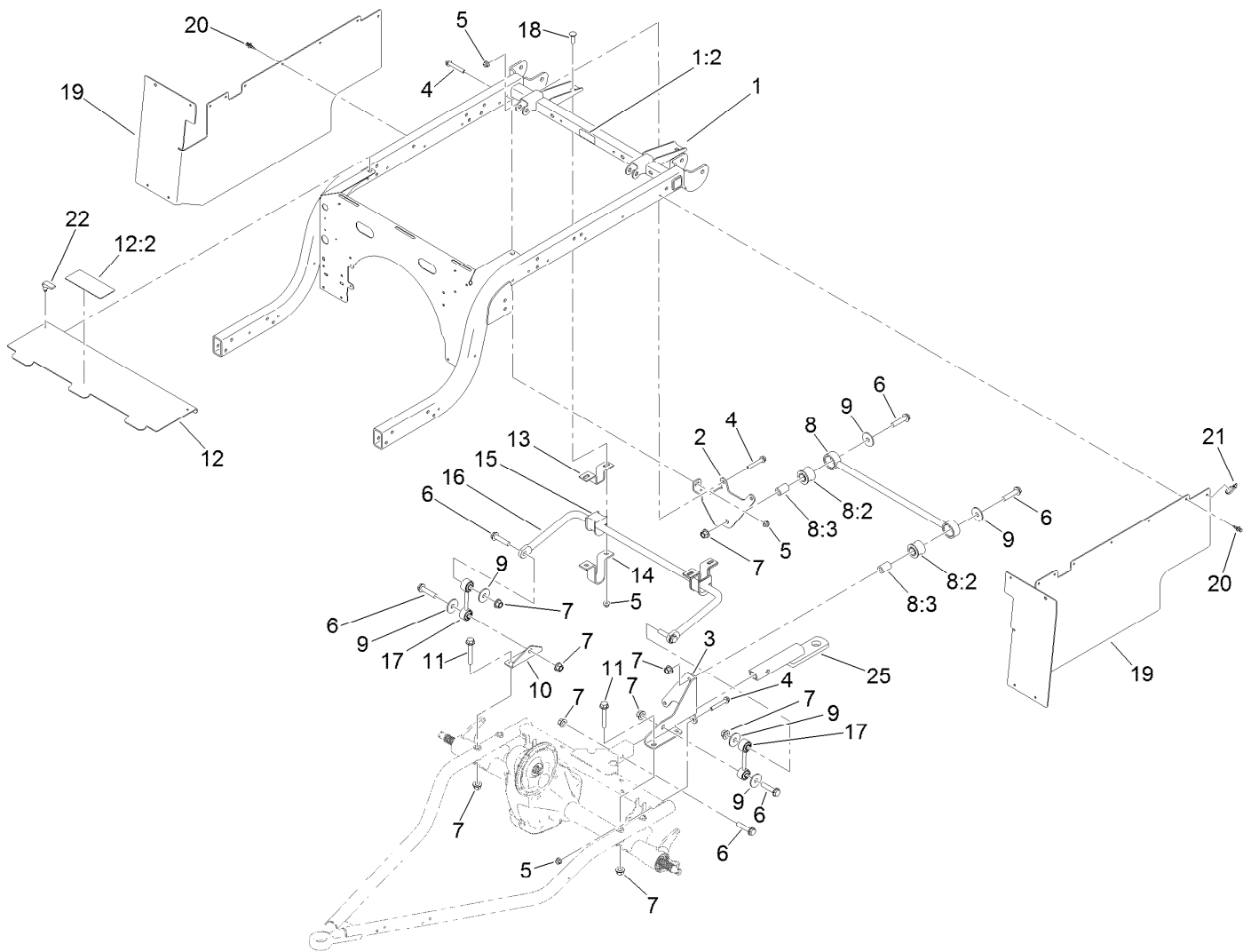
Front Frame and Suspension Assembly

Ref.	Part Number	Qty.	Description	Ref.	Part Number	Qty.	Description
1	127-7718-03	1	Frame-Front	17:3	254-72	2	Bearing-Cup, Tapered
2	131-8572	2	Screw-HF	18	93-0309	2	Washer-Tab
3	104-8301	6	Nut-HF, NI	19	3220-7	2	Nut-Jam
4	131-8345	2	A-Arm	20	93-0307	2	Nut-Lock, Retainer
5	127-8776	2	Strut ASM	21	3272-12	2	Pin-Cotter
6	3234-46	2	Screw-HHF	22	241-119	2	Cap-Dust
7	99-5107	2	Nut-Lock	23	112-1690	2	Seal-Oil
8	131-8581	2	Sleeve-Control Arm, Inner	24	131-8319	2	Tire/Wheel ASM
9	131-8583	2	Sleeve-Control Arm, Outer	24:1	131-8317	1	Wheel
10	131-8582	2	Sleeve-Kingpin	24:2	232-27	1	Stem-Valve
11	133-0643	12	Bushing-Flange, O-Ring	24:3	131-8318	1	Tire
12	116-4701	2	Screw-HHF	25	242-50	8	Nut-Lug
13	131-8571	2	Screw-HF	26	32144-70	2	Screw-HWHTF
14	127-8825-03	1	Spindle-LH	27	302-5	2	Fitting-Grease
15	127-8826-03	1	Spindle-RH	28	131-8339-03	1	Reinforcement-Tower
16	254-94	4	Bearing-Cone, Tapered	29	302-40	4	Fitting-Grease, 90 DEG
17	127-8851	2	Front Hub ASM	30	237-54	12	O-Ring
17:2	10-6830	4	Stud-Type, Drive				



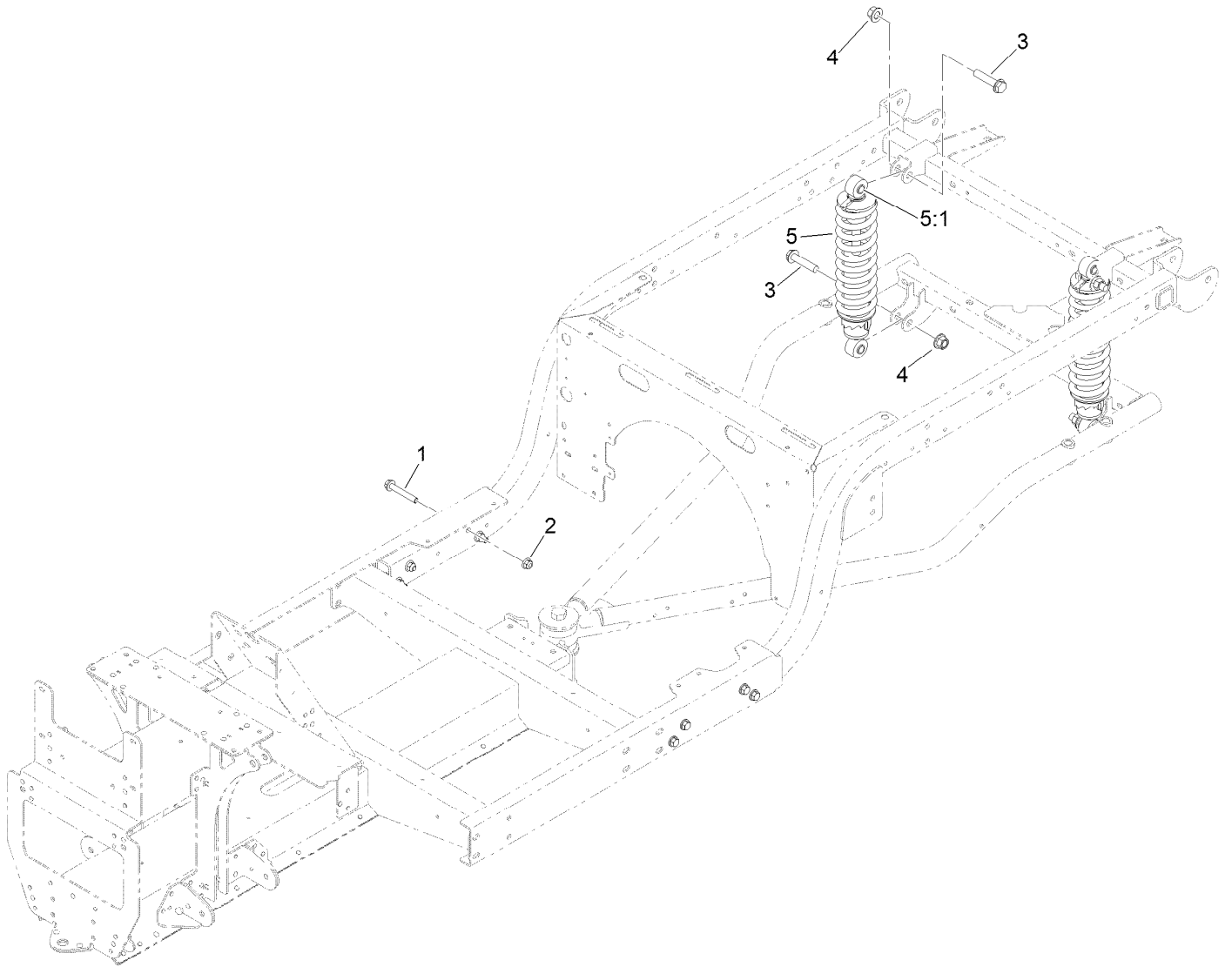
Floor Plate and Rear Suspension Mount Assembly

Ref.	Part Number	Qty.	Description	Ref.	Part Number	Qty.	Description
1	104-8301	2	Nut-HF, NI	12	32144-49	8	Screw-HWHTF
2	131-8466	1	Mount-Suspension, Rear	13	132-6777	8	Screw-TTH
3	127-7823-03	1	Channel-Extended, LH	14	104-7201	8	Nut-HF
4	127-7824-03	1	Channel-Extended, RH	15	131-8424	2	Plate-Connection
5	127-7828-03	1	Channel-Extension	16	127-7827-03	1	Plate-Channel, Extension
6	127-7837-03	4	Bracket-Support, Floor Plate	17	110-4549	1	Washer-Snubbing
7	127-7829	2	Plate-Floor	18	131-8480	1	Isolator
8	131-8597	1	Plate-Gimbal, Upper	19	104-5877	1	Screw-HH
9	323-42	2	Screw-HH	20	32144-4	16	Screw-HWH
10	127-7832	2	Bracket-Angle	21	3234-1	8	Screw-HHF
11	32144-70	40	Screw-HWHTF				



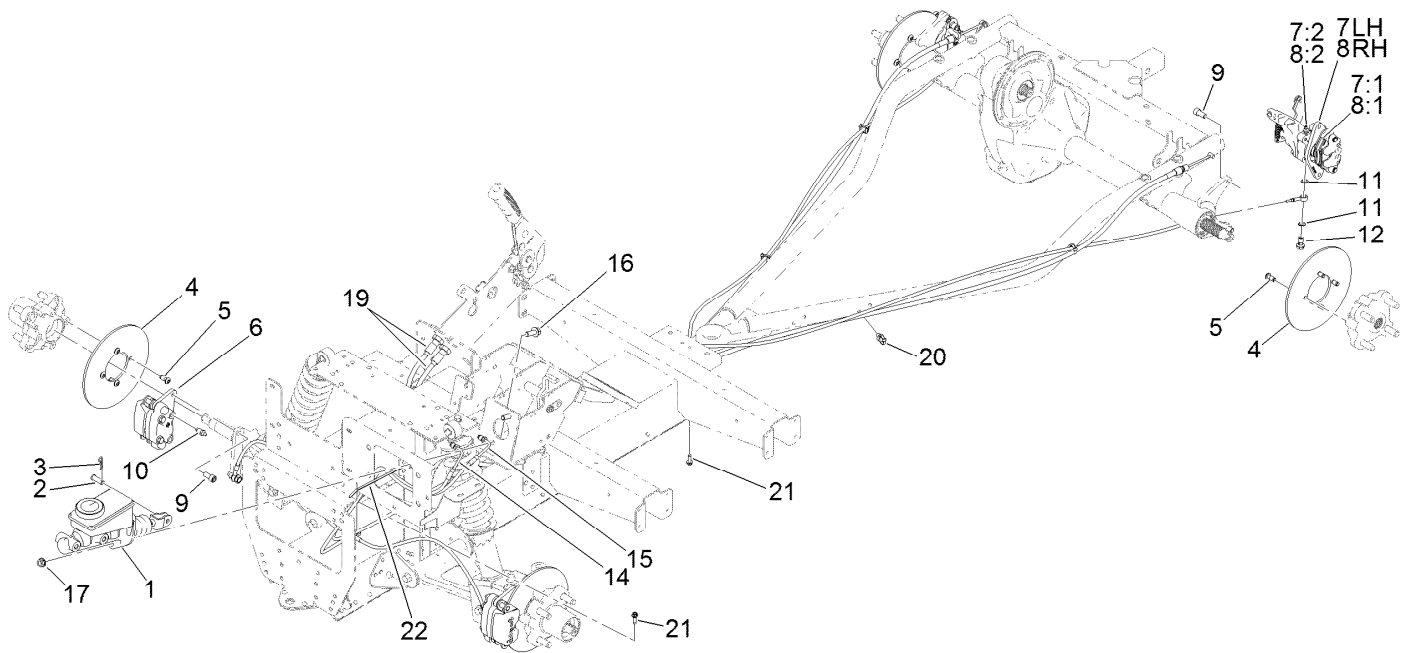
Rear Frame and Suspension Assembly

<i>Ref.</i>	<i>Part Number</i>	<i>Qty.</i>	<i>Description</i>	<i>Ref.</i>	<i>Part Number</i>	<i>Qty.</i>	<i>Description</i>
1	131-8594	1	Rear Frame ASM	11	3234-40	4	Screw-HF
1:2	115-2047	1	Decal-Surface, Hot	12	131-8595	1	Panel-Cover
2	127-7412-03	1	Bracket-Bar, Stabilizer	12:2	99-7345	1	Decal-Warning
3	127-7411-03	1	Bracket-Bar, Stabilizer	13	87-3890-03	2	Bracket-Bar, Sway
4	3234-39	5	Screw-HHF	14	87-4010-03	2	Clamp-Bar, Sway
5	104-8301	9	Nut-HF, NI	15	87-3910	2	Bushing-Rubber
6	3234-46	7	Screw-HHF	16	131-8310-03	1	Bar-Sway, Anti
7	99-5107	11	Nut-Lock	17	131-8394	2	Link-Bar, Sway
8	109-5013	1	Panhard Rod ASM	18	3231-25	4	Bolt-CARR
8:2	109-5009	2	Bushing-Suspension, Rubber	19	131-8346	2	Panel-Side
8:3	109-5010	2	Spacer	20	125-9622	20	Rivet-Blind
9	86-1990	6	Washer-Thrust	21	3290-378	2	Tie-Cable
10	131-8315	1	Bracket-Link, Sway Bar	22	74-5950	2	Latch-Swell
				25	132-8590-03	1	Bar-Draw, Class 1



Frame Mount and Rear Shock/Spring Assembly

<i>Ref.</i>	<i>Part Number</i>	<i>Qty.</i>	<i>Description</i>
1	3234-39	8	Screw-HHF
2	104-8301	8	Nut-HF, NI
3	3234-46	4	Screw-HHF
4	99-5107	4	Nut-Lock
5	131-3455	2	Shock/Spring ASM
5:1	131-8574	2	Isolator-Shock



Brake Assembly

Ref.	Part Number	Qty.	Description	Ref.	Part Number	Qty.	Description
1	104-6782	1	Master Cylinder ASM	8:3	136-6328	2	Spring-Rattle, Anti ●
2	283-2	1	Pin-Clevis	9	131-8573	8	Screw-HSH
3	1-806003	1	Pin-Cotter	10	119-9509	2	Screw-Bleed
4	136-6295	4	Rotor-Brake	11	115-2341	8	Washer-Banjo
5	121-9671	16	Screw-HSBH	12	120-4875	4	Bolt-Flange, Banjo
6	127-7424	2	Brake Caliper ASM	14	127-7781	1	Brake Line-Front
7	131-8313	1	Caliper-Rear, LH	15	127-7782	1	Brake Line-Rear
7:1	131-8518	1	Pad Kit (Set Of 4)	16	3234-11	2	Screw-HHF
7:2	119-9509	1	Screw-Bleed	17	3290-357	2	Nut-HHF, Whiz
7:3	136-6328	2	Spring-Rattle, Anti ●	19	131-8398	2	Cable-Brake, Park
8	131-8314	1	Caliper-Rear, RH	20	32180-030	4	Clip-Tie
8:1	131-8518	1	Pad Kit (Set Of 4)	21	49-2040	2	Screw-HWHTF
8:2	119-9509	1	Screw-Bleed	22	3290-378	1	Tie-Cable

● Not illustrated



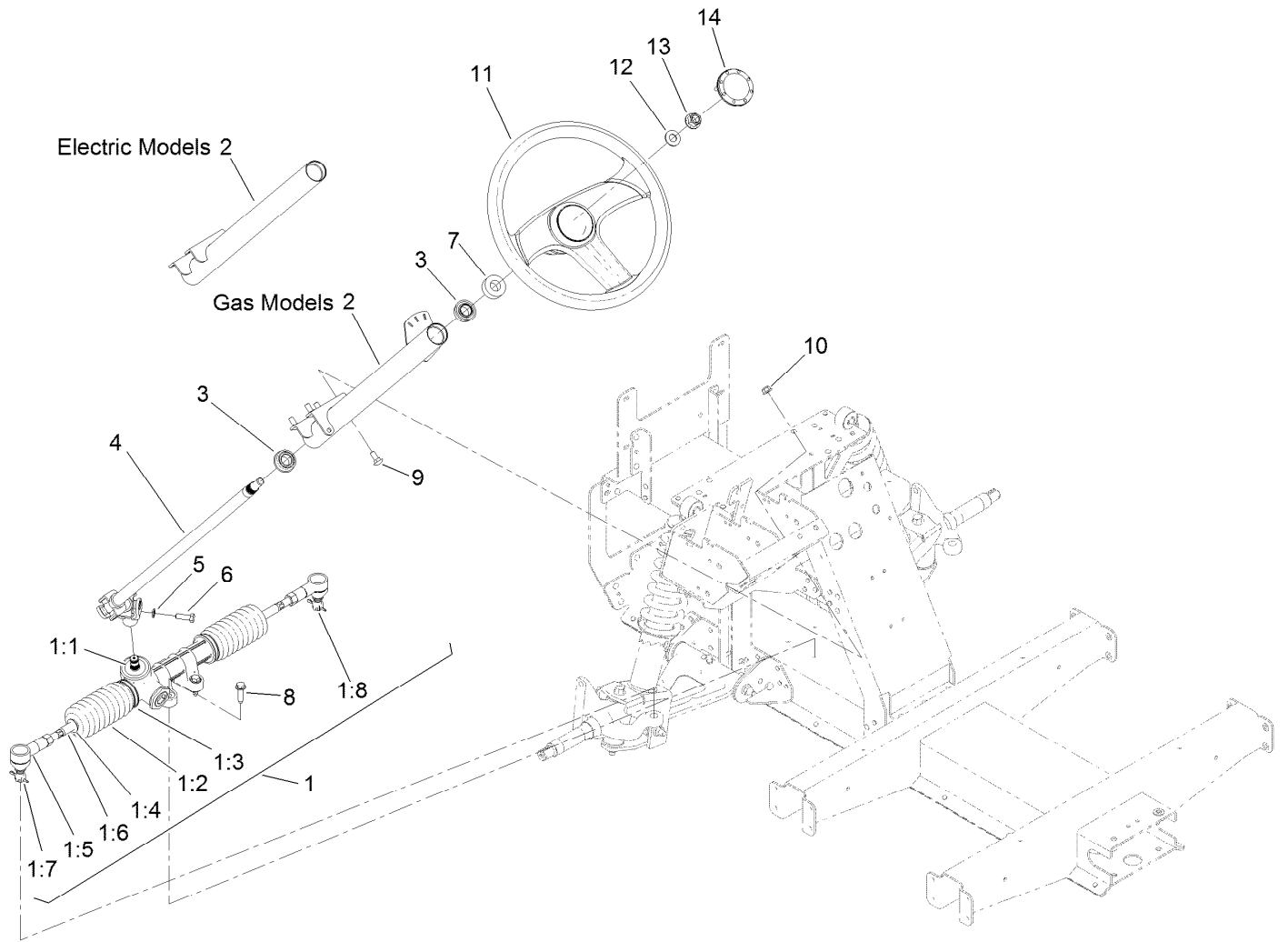
Master Cylinder Assembly No. 104-6782

<i>Ref.</i>	<i>Part Number</i>	<i>Qty.</i>	<i>Description</i>
1	104-6845	1	Reservoir ASM
1:1	92-4112	1	Cap ASM
2	93-8971	2	Seal-Port, Flange
3	92-4103	1	Pin-Stop
4	92-4102	1	Secondary Piston ASM
5	92-4110	1	Clevis
6	21-0360	1	Nut-Hex
7	94-5209	1	Cover-Dust
8	94-5210	1	Rod-Push
9	92-4109	1	Ring-Snap
10	92-4108	1	Retainer-Washer
11	92-4101	1	Primary Piston ASM



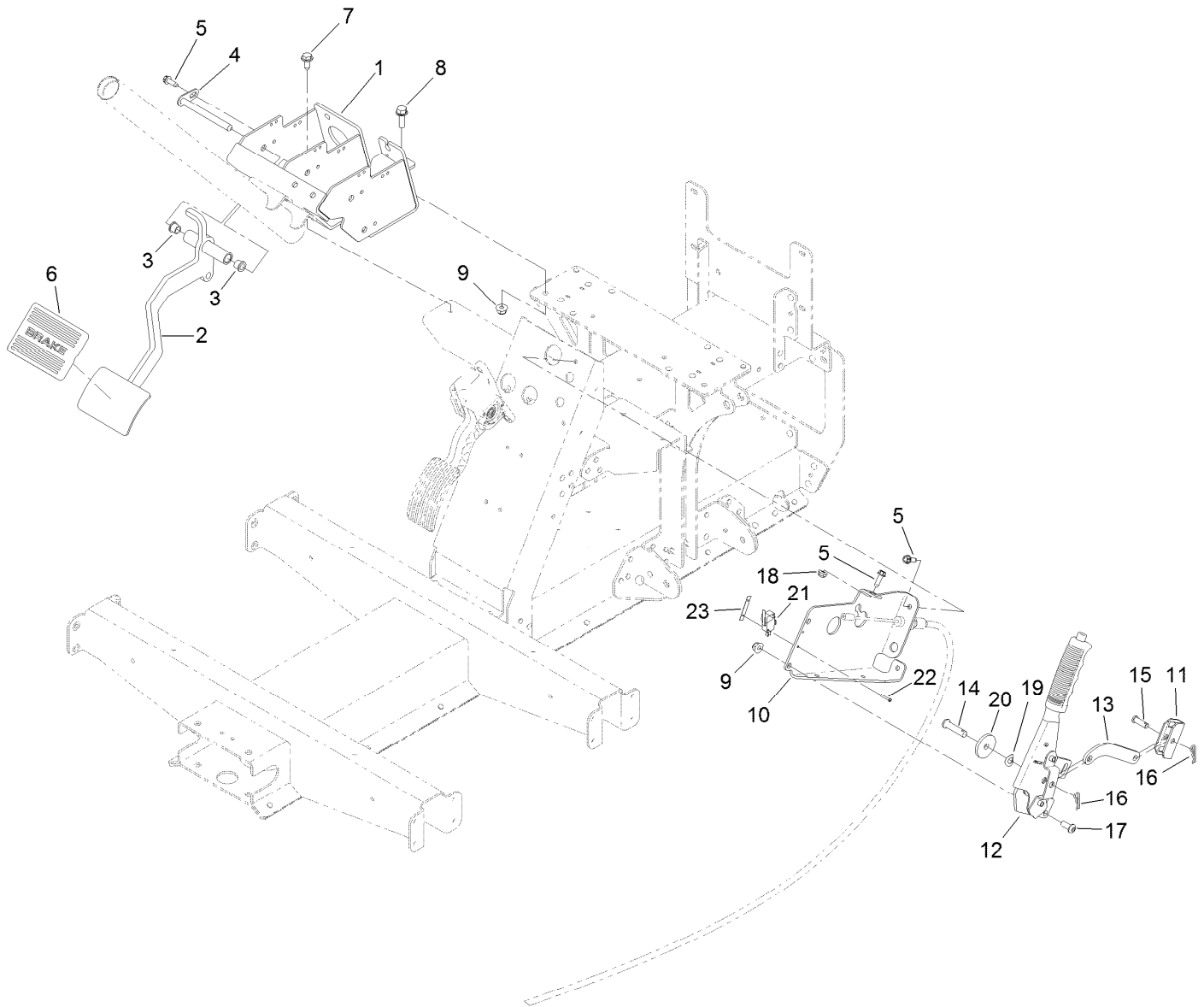
Brake Caliper Assembly No. 127-7424

<i>Ref.</i>	<i>Part Number</i>	<i>Qty.</i>	<i>Description</i>
1	119-9510	1	Pads-Brake
2	119-9511	1	Bracket Kit
3	133-0614	1	Piston Kit



Steering Assembly

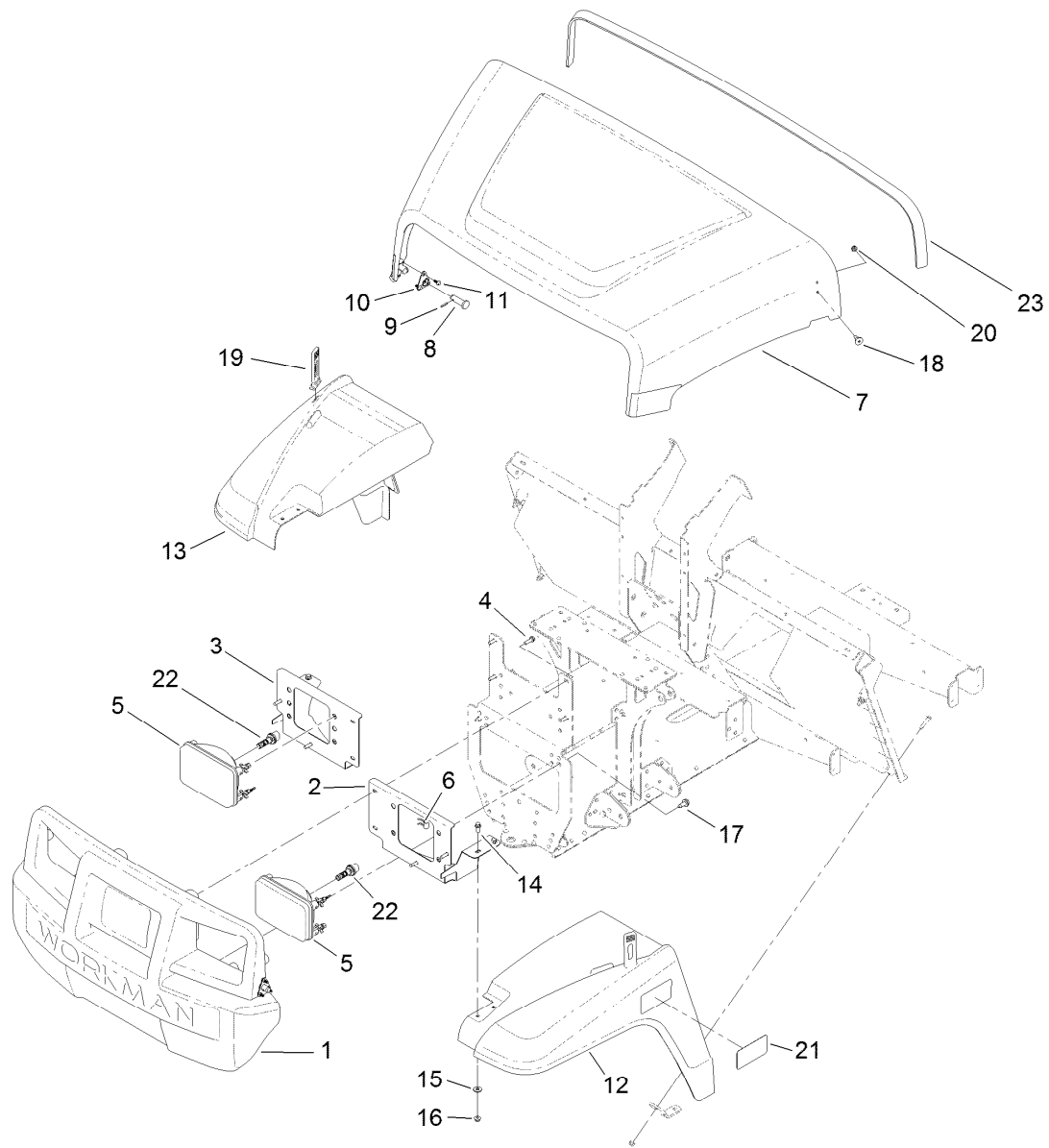
<i>Ref.</i>	<i>Part Number</i>	<i>Qty.</i>	<i>Description</i>	<i>Ref.</i>	<i>Part Number</i>	<i>Qty.</i>	<i>Description</i>
1	127-8797	1	Steering Rack ASM	4	127-8804	1	Shaft-Steering
1:1	133-0607	1	Seal-Shaft	5	3253-4	1	Washer-Lock
1:2	133-0606	2	Bellows	6	116-3515	1	Screw-HH, Special
1:3	133-0605	2	Clamp-Bellows, Inner	7	21-9260	1	Cover-Dust
1:4	133-0604	2	Clamp-Bellows, Outer	8	32144-49	4	Screw-HWHTF
1:5	133-0602	2	End-Rod, Track	9	3230-1	4	Bolt-CARR
1:6	133-0601	2	Rod-Tie, Track	10	104-8300	4	Nut-HF, NI
1:7	3272-42	2	Pin-Cotter	11	131-0957	1	Wheel-Steering
1:8	137-9891	2	Nut-Slotted, Ball Joint	12	3256-26	1	Washer-Flat
2	131-8513-03	1	Steering Column ASM	13	99-5107	1	Nut-Lock
3	112-3262	2	Bearing	14	131-3630	1	Cap-Wheel, Steering



Pedal and Control Assembly

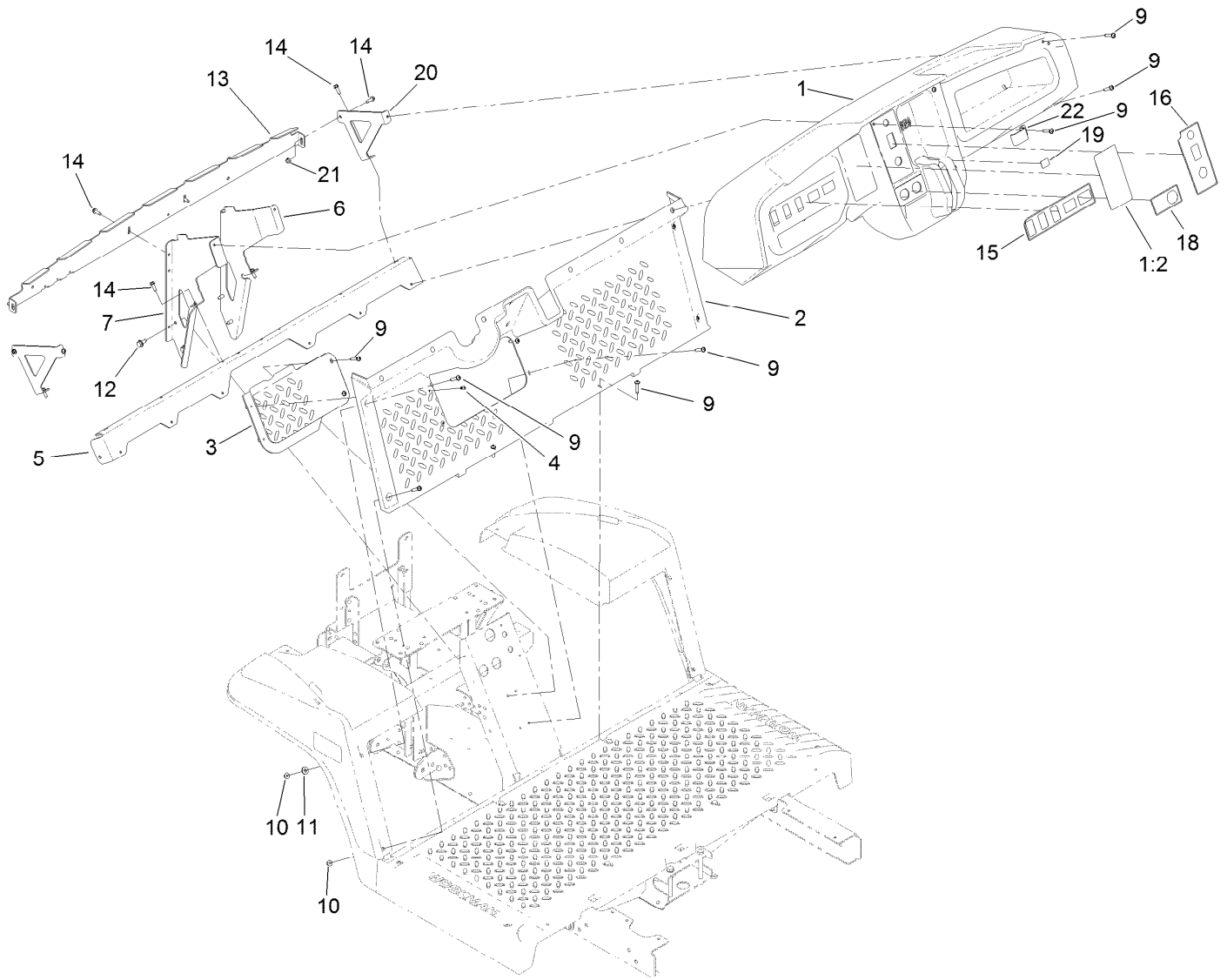
Ref.	Part Number	Qty.	Description
1	127-8817-03	1	Mount-Pedal
2	127-8818-03	1	Pedal-Brake
3	256-116	2	Bushing-Flange
4	131-8459	1	Shaft-Pivot
5	49-2040	4	Screw-HWHTF
6	7-3900	1	Pad-Brake
7	32144-70	2	Screw-HWHTF
8	3234-29	1	Screw-HHF
9	104-8300	3	Nut-HF, NI
10	127-8834-03	1	Mount-Brake, Park
11	87-3480	1	Bracket-Equalizer, Cable
12	131-8320	1	Lever-Brake, Park

Ref.	Part Number	Qty.	Description
13	127-8836-03	1	Link-Brake, Park
14	283-10	1	Pin-Clevis
15	1-808280	1	Pin-Clevis
16	1-806003	2	Pin-Cotter
17	3274-55	2	Screw-HSBH
18	104-7201	1	Nut-HF
19	121-4605	1	Washer-Spring
20	131-8496	1	Washer-Plain
21	108-6496	1	Switch (W/Boot)
22	3290-313	2	Screw-SPH
23	3290-354	1	Nut-Speed



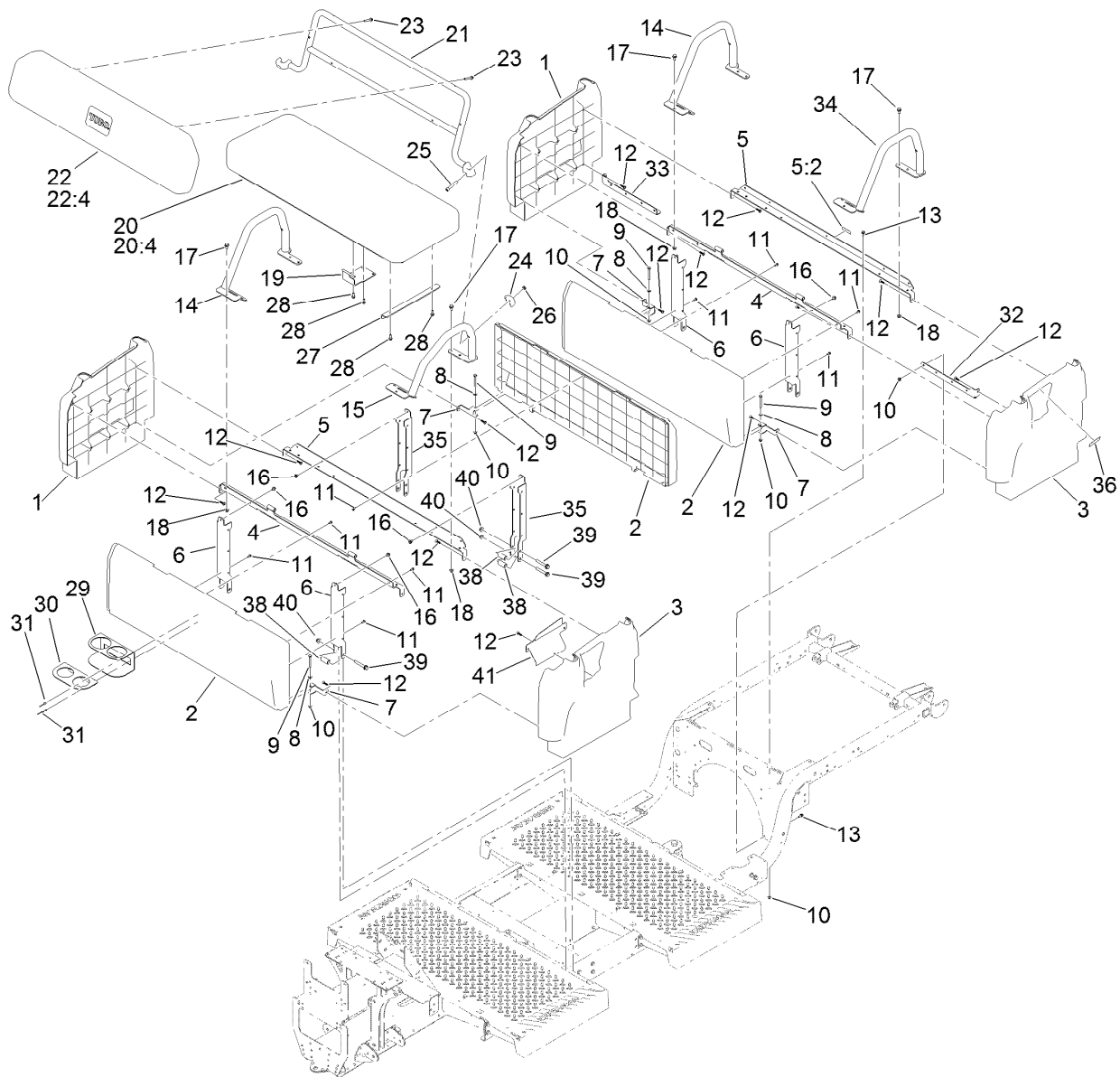
Hood and Fender Assembly

<i>Ref.</i>	<i>Part Number</i>	<i>Qty.</i>	<i>Description</i>	<i>Ref.</i>	<i>Part Number</i>	<i>Qty.</i>	<i>Description</i>
1	132-8530	1	Bumper	13	127-7772	1	Fender-Front, RH
2	131-8455-03	1	Bracket-Headlight, LH	14	3234-33	4	Screw-HHF
3	131-8456-03	1	Bracket-Headlight, RH	15	3256-2	4	Washer-Flat
4	46-8091	8	Screw-HWH	16	104-7201	4	Nut-HF
5	136-6318	2	Housing-Headlight, 12V	17	32144-70	2	Screw-HWHTF
6	115-2408	6	Clip-Speed	18	125-1122	2	Screw
7	136-6281	1	Hood	19	131-8402	2	Strap-Hold Down
8	117-5094	2	Pin-Clevis	20	3296-56	2	Nut-Lock, NI
9	32121-50	2	Pin-Spring	21	131-8516	2	Decal-Fender
10	112-3308	2	Retainer-Pin	22	133-0574	2	Bulb-LED
11	121-9605	6	Screw-HWH	23	133-7210	1	Seal-Trim, Hood
12	127-7771	1	Fender-Front, LH				



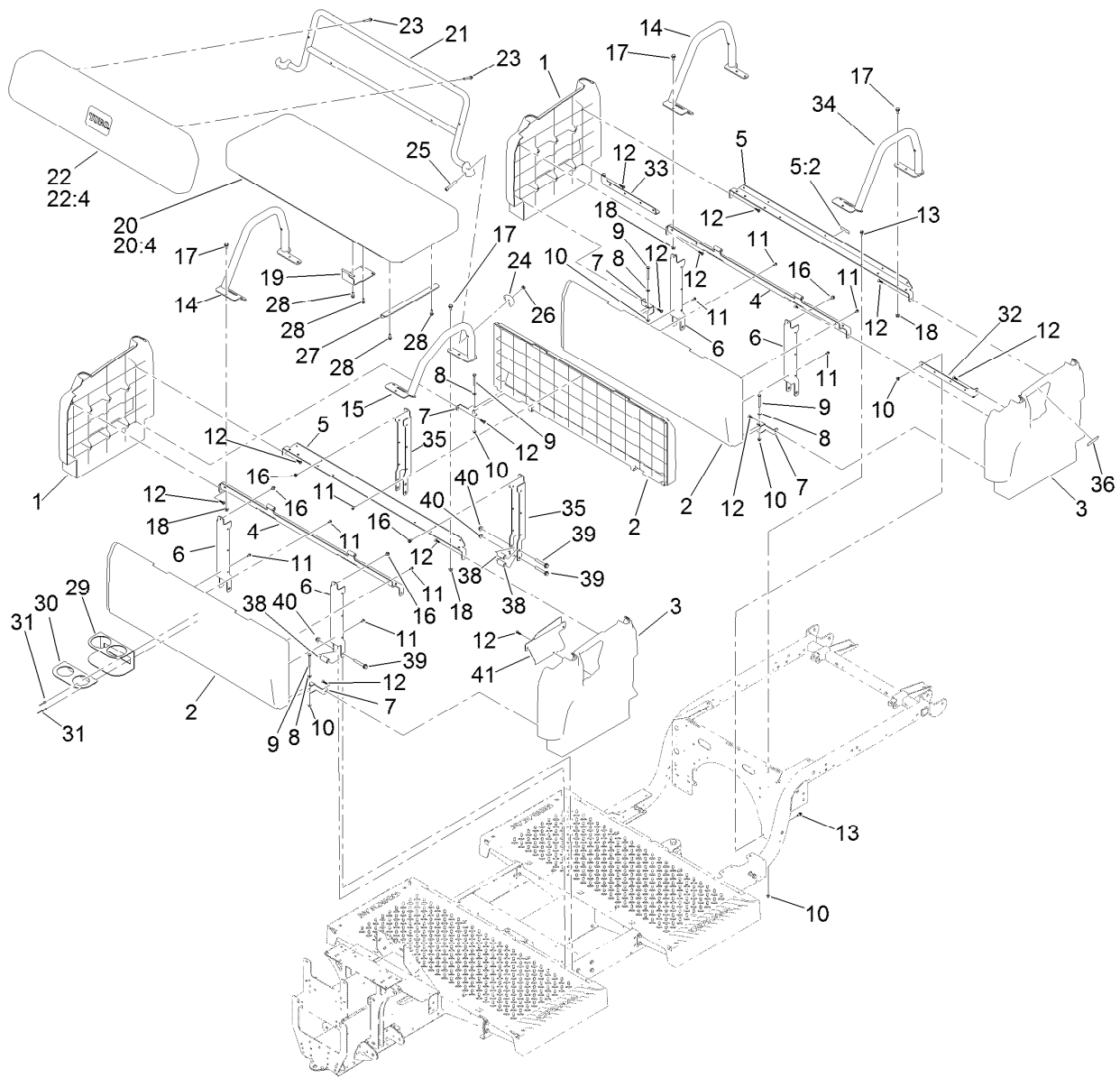
Dash Assembly

<i>Ref.</i>	<i>Part Number</i>	<i>Qty.</i>	<i>Description</i>	<i>Ref.</i>	<i>Part Number</i>	<i>Qty.</i>	<i>Description</i>
1	131-8593	1	Dash	12	32144-70	4	Screw-HWHTF
1:2	131-8414	1	Decal-Danger	13	131-8568-03	1	Reinforcement-Dash
2	127-7846	1	Footboard	14	49-2040	8	Screw-HWHTF
3	127-7847	1	Cover-Footboard	15	131-8411	1	Decal-Dashboard, Electric
4	107-7461	2	Screw-Plastite	16	131-8412	1	Decal-Control Panel, Electric
5	127-7831-03	1	Angle	18	131-8493	1	Decal-USB
6	131-8336-03	1	Bracket-Dash, RH	19	131-8506	1	Decal-Status, Machine
7	131-8335-03	1	Bracket-Dash, LH	20	131-8569-03	2	Bracket-Dash, Side
9	132-6777	20	Screw-TTH	21	104-7201	2	Nut-HF
10	104-7201	4	Nut-HF	22	133-7111-03	1	Bracket-Mount, Radio
11	3256-2	2	Washer-Flat				



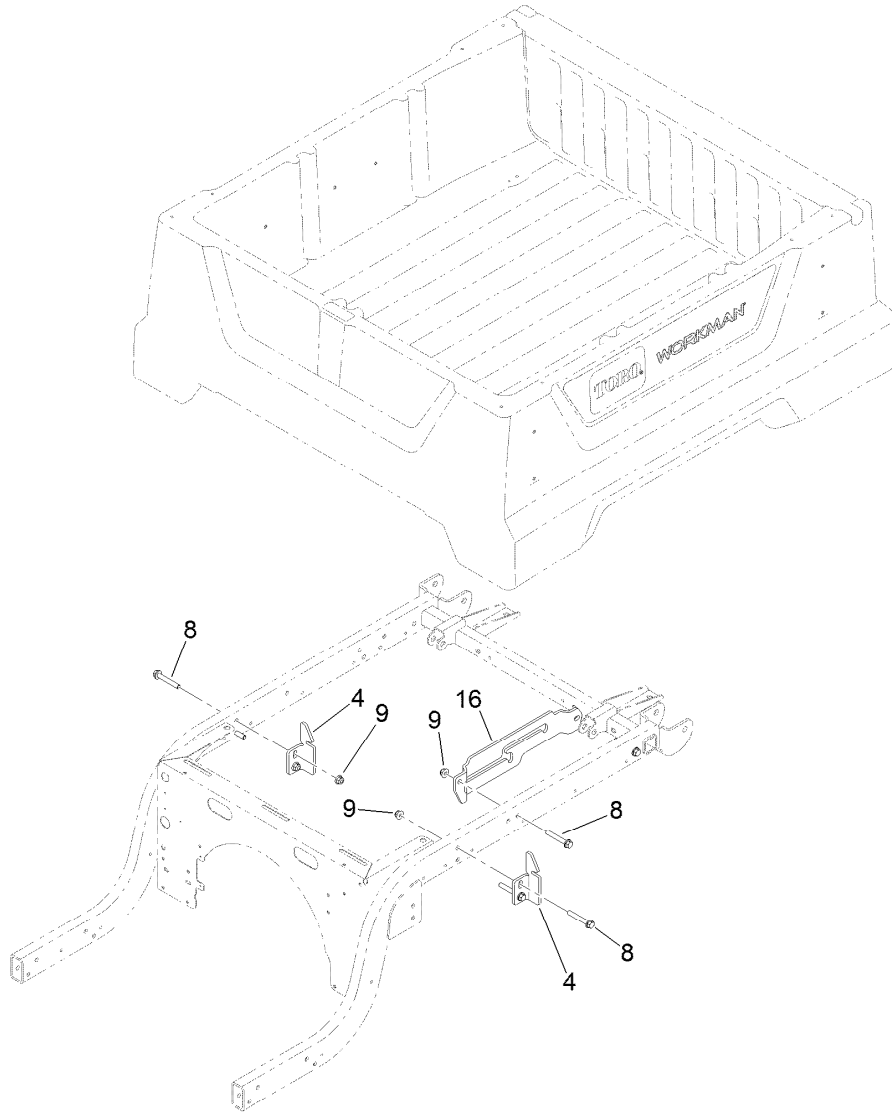
Seatbase Assembly

Ref.	Part Number	Qty.	Description	Ref.	Part Number	Qty.	Description
1	127-7805	2	Side-Base, Seat (RH)	20	133-7185	1	Bench Seat Bottom Cushion ASM
2	133-7188	3	Panel-Base, Seat	20:4	133-7121	1	Cover-Cushion, Bottom
3	127-7807	2	Side-Base, Seat (LH)	21	133-3079-05	1	Back Rest
4	133-7345-03	2	Support-Seat	22	133-3084	1	Bench Seat Back Rest ASM
5	137-6991	1	Seat Support ASM	22:4	133-7120	1	Cover-Rest, Back
5:2	120-9570	1	Decal-Warning	23	32105-18	6	Screw-HHF
6	127-7841-03	4	Channel-Support, Seat	24	132-8586-05	2	Casting-Mount, Bench Seat (Back)
7	127-7844-03	6	Clamp-Plate, Floor	25	131-8591	2	Screw-HSH
8	3256-22	6	Washer-Flat	26	3296-59	2	Nut-Lock, NI
9	321-18	6	Screw-HH	27	133-7186-03	2	Bracket-Support, Bench Seat
10	104-7201	12	Nut-HF	28	3234-4	8	Screw-HHF
11	112-6349	13	Screw-HWH	29	133-7122-05	1	Bracket-Holder, Cup
12	120-2349	19	Screw	30	133-7133-05	1	Bracket-Divider, Cup Holder
13	3234-33	6	Screw-HHF	31	133-7130	4	Rivet-Pop
14	131-8352-05	2	Restraint-Hip, RH	32	127-7842-03	1	Bracket-Support, Side (LH)
15	131-8353-05	1	Restraint-Hip, LH	33	127-7843-03	1	Bracket-Support, Side (RH)
16	46-6810	6	Screw And Washer ASM	34	131-8354-05	1	Restraint-Hip, LH
17	32144-70	12	Screw-HWHTF	35	131-8355-03	2	Channel-Support, Seat
18	104-8300	12	Nut-HF, NI				
19	133-7167-03	2	Bracket-Hinge, Seat				



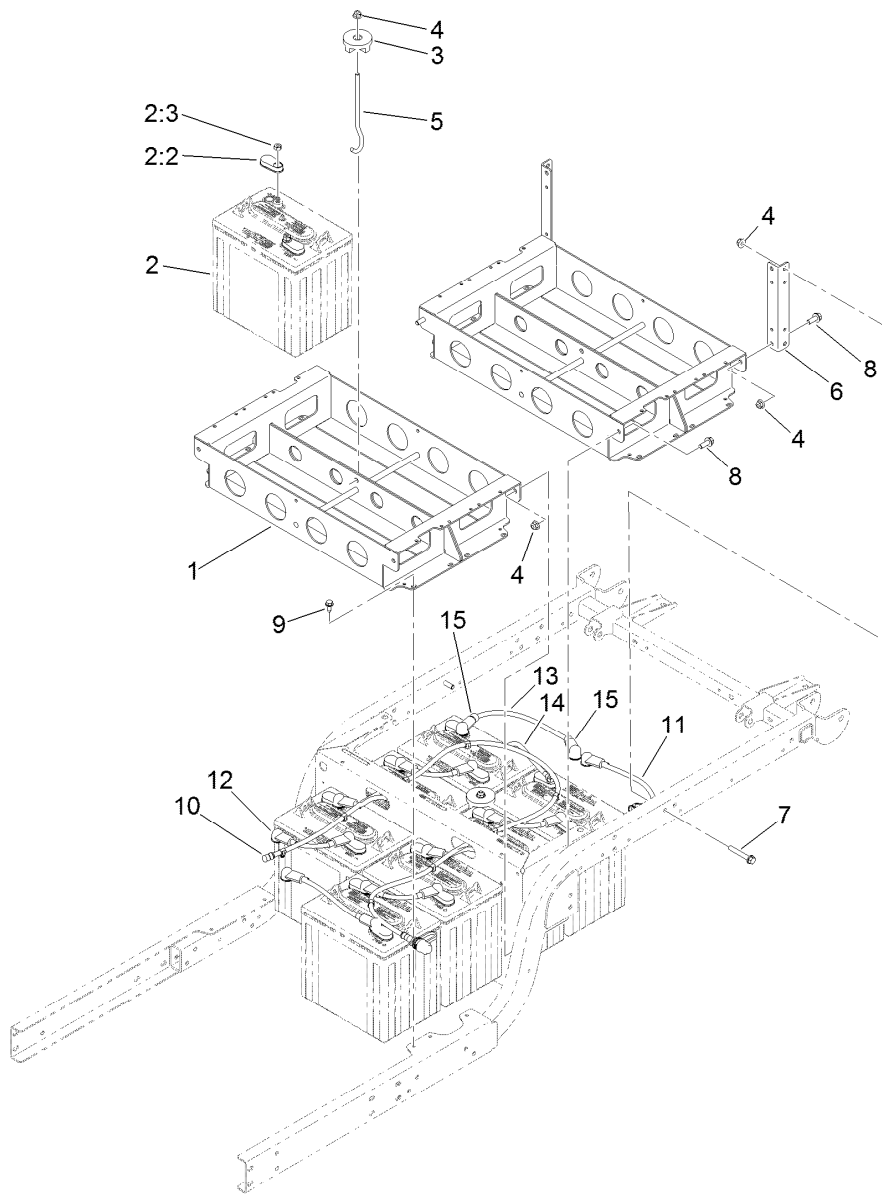
Seatbase Assembly (continued)

<i>Ref.</i>	<i>Part Number</i>	<i>Qty.</i>	<i>Description</i>	<i>Ref.</i>	<i>Part Number</i>	<i>Qty.</i>	<i>Description</i>
36	131-8410	1	Decal-Danger, Fuel	40	104-8301	6	Nut-HF, NI
38	131-8452	6	Spacer	41	131-8525-05	1	Cover-Opening
39	3234-39	6	Screw-HHF				



Cargo Bed Assembly

<i>Ref.</i>	<i>Part Number</i>	<i>Qty.</i>	<i>Description</i>
4	127-7428-03	2	Striker-Latch, Bed
8	3234-39	6	Screw-HHF
9	104-8301	6	Nut-HF, NI
16	132-8518	1	Bracket-Rod, Prop

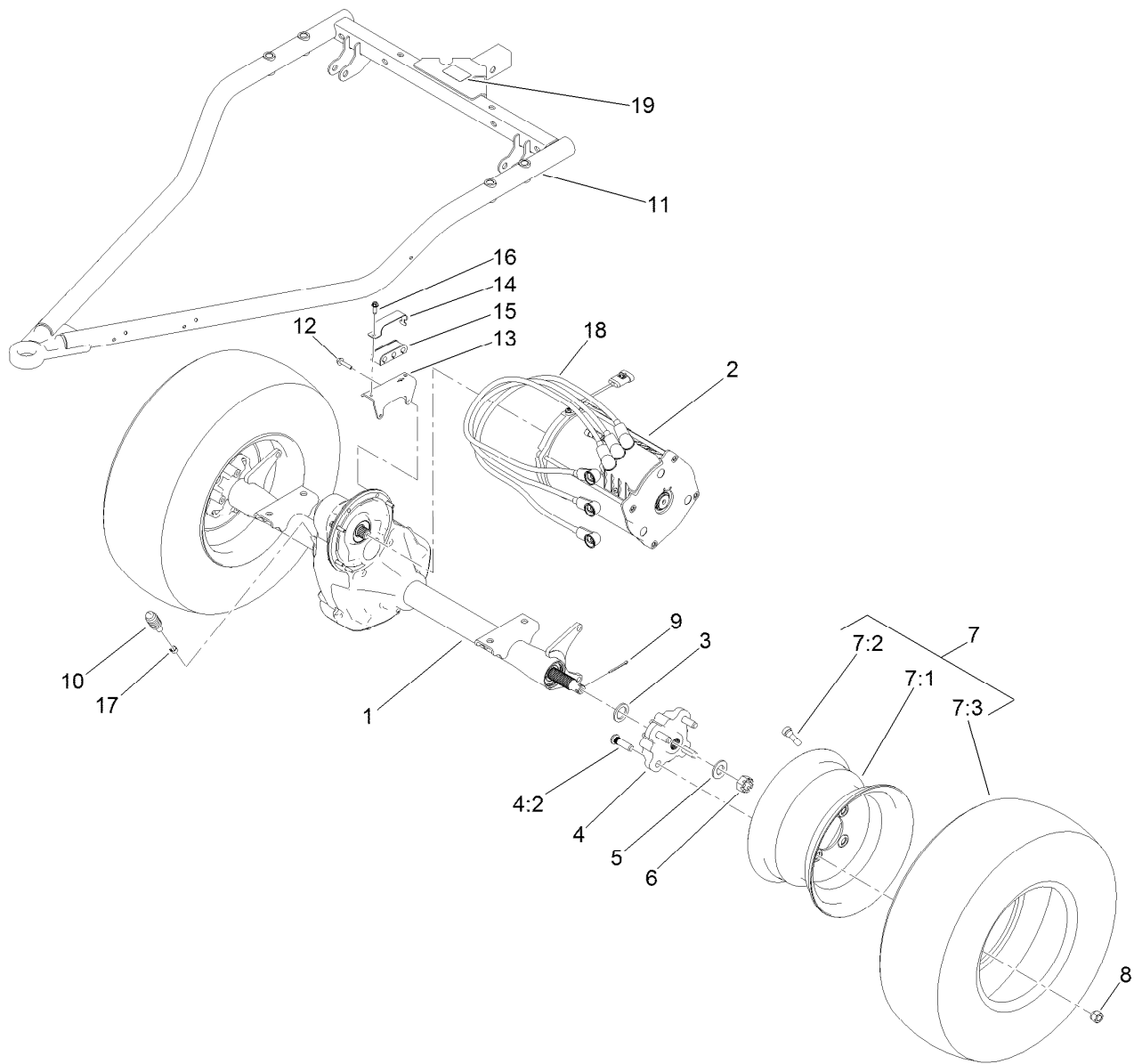


Battery Assembly

Ref.	Part Number	Qty.	Description	Ref.	Part Number	Qty.	Description
1	131-8300-03	2	Tray-Battery	9	32144-70	4	Screw-HWHTF
2		8	Battery-Lead Acid, Wet ■	10	131-8491	1	Watering Hose ASM
2:2	107-0289	2	Cover-Terminal, Battery	11	107-0739	2	Cable-Battery, Positive
2:3	107-0388	2	Nut	12	107-0738	6	Cable-Battery, Positive
3	104-7149	2	Hold Down ASM	13	122-0750	1	Cable-Battery, Positive
4	104-8301	8	Nut-HF, NI	14	94-6168	1	Wire-Ground, Battery
5	131-8387	2	Rod-Battery Hold Down	15	32180-009	2	Insulator-Lug, Red
6	131-8302-03	2	Bracket-Box, Battery	99	107-0392	1	Protection-Terminal, Aerosol ●
7	3234-39	2	Screw-HHF				
8	3234-42	4	Screw-HHF				

● Not illustrated

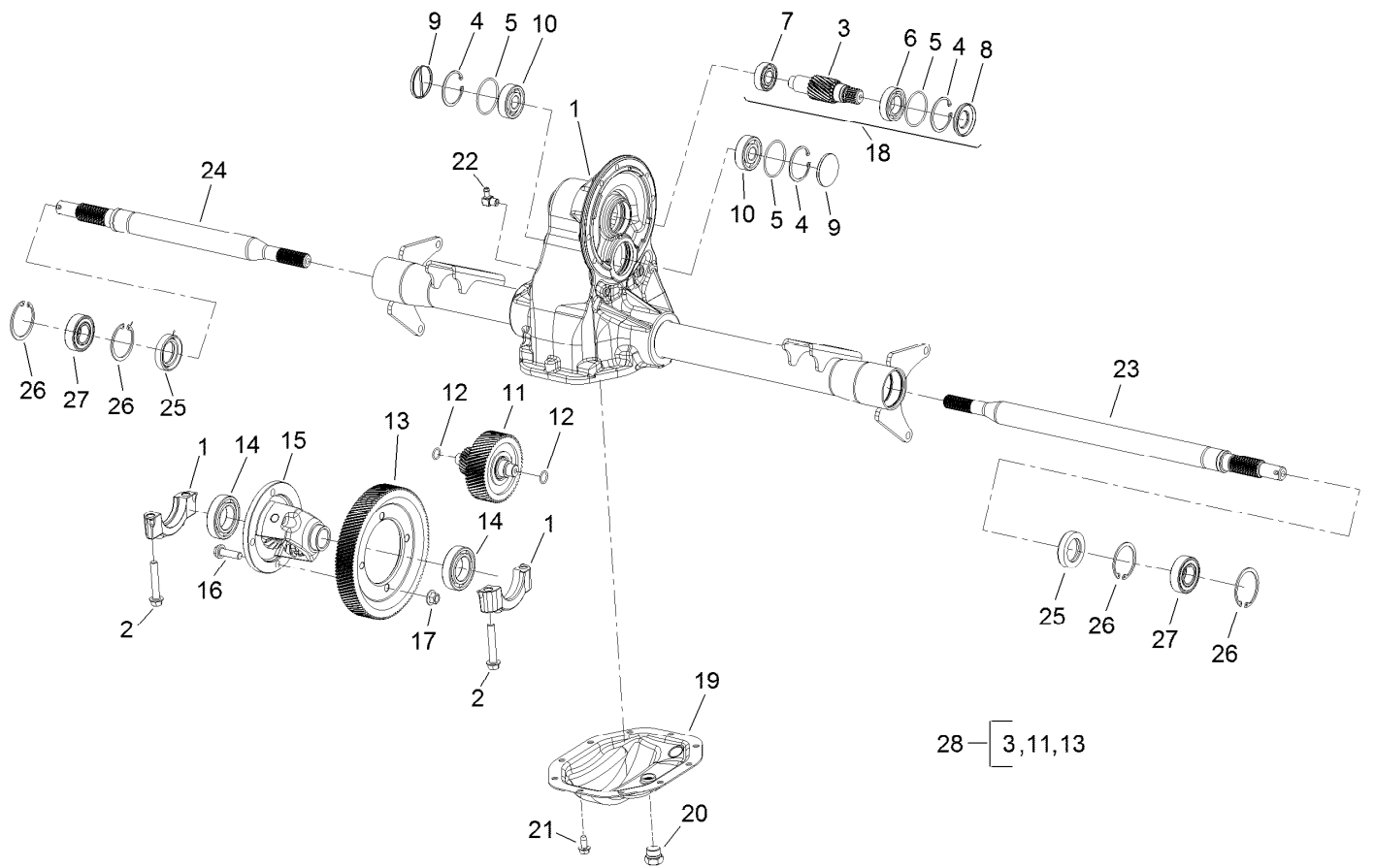
■ Not serviced separately



Rear Axle and Motor Assembly

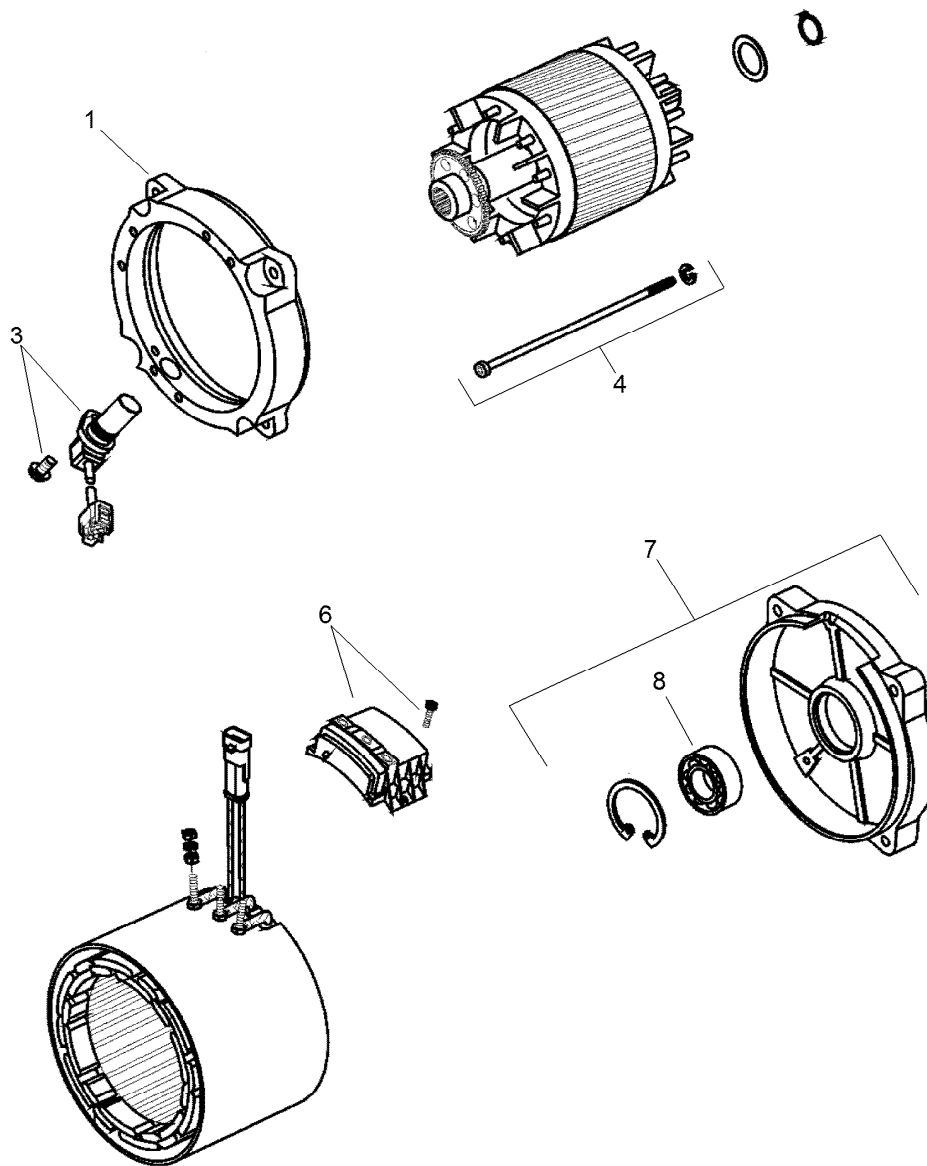
Ref.	Part Number	Qty.	Description	Ref.	Part Number	Qty.	Description
1	136-6340	1	Transaxle ASM	10	127-8859	1	Bellows-Breather
2	131-8485	1	Motor-Electric	11	131-8340-03	1	Arm-Swing
3	131-8570	2	Spacer-Hardened	12	33103-030	6	Screw-HHF
4	127-8848	2	Rear Hub ASM	13	131-8416	1	Bracket-Cable
4:2	10-6830	4	Stud-Type, Drive	14	131-8482	1	Retainer-Isolator
5	92-5836	2	Washer	15	131-8420	1	Isolator-Clamp
6	32136-5	2	Nut-Hex, Slotted	16	49-2040	1	Screw-HWHTF
7	131-8319	2	Tire/Wheel ASM	17	2412-146	1	Clamp-Hose
7:1	131-8317	1	Wheel	18	122-0743	3	Cable-Battery, Positive
7:2	232-27	1	Stem-Valve	19	131-8598	1	Decal-Rating, Hitch
7:3	131-8318	1	Tire	99	107-0392	1	Protection-Terminal, Aerosol
8	242-50	8	Nut-Lug				●
9	1-806800	2	Pin-Cotter				

● Not illustrated



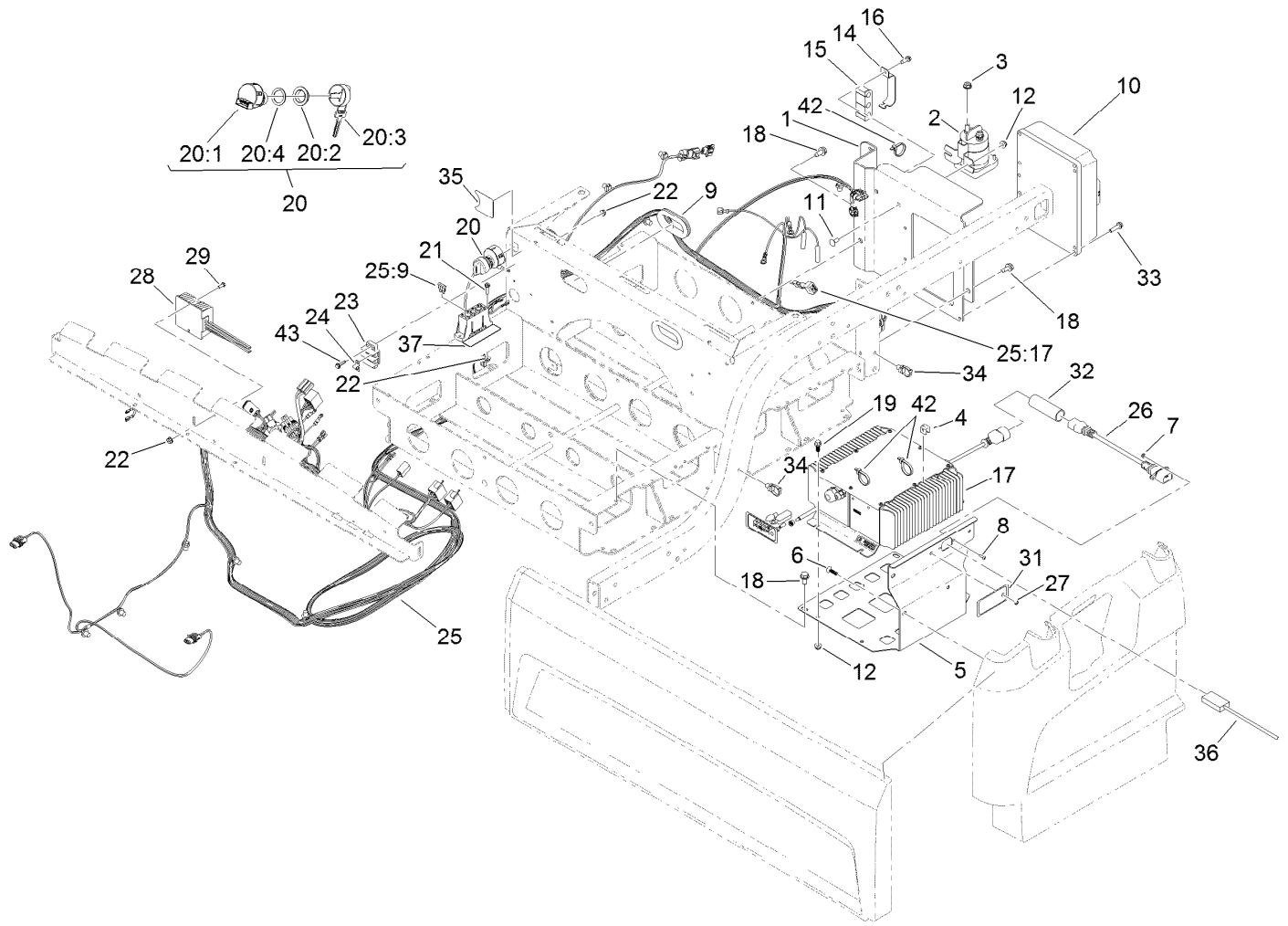
Transaxle Assembly No. 136-6340

Ref.	Part Number	Qty.	Description	Ref.	Part Number	Qty.	Description
1	133-2447	1	Housing-Axle	15	133-2461	1	Differential ASM
2	133-2448	4	Bolt-Cap, Bearing	16	133-2462	4	Bolt-HHF
3	133-2485	1	Gear-Input	17	133-2463	4	Nut-Lock
4	133-2450	3	Ring-Retaining	18	133-2487	1	Input Gear Kit
5	133-2451	3	O-Ring	19	136-6341	1	Plate-Cover
6	133-2452	1	Bearing-Ball	20	133-2466	1	Plug-HH
7	133-2453	1	Bearing-Ball	21	133-2467	10	Screw-Tapping
8	133-2454	1	Seal-Oil	22	133-2468	1	Elbow-Hose
9	133-2455	2	Plug-Cap, End	23	133-2469	1	Shaft-Axle, LH
10	133-2456	2	Bearing-Ball	24	133-2470	1	Shaft-Axle, RH
11	133-2486	1	Intermediate Gear ASM	25	133-2471	2	Seal-Oil
12	133-2458	2	O-Ring	26	133-2472	4	Ring-Retaining
13	133-2459	1	Gear-Drive, Final	27	108-2425	2	Bearing-Ball
14	133-2460	2	Bearing-Ball	28	108-2409	1	Internal Gear Kit



Electric Motor Assembly No. 131-8485

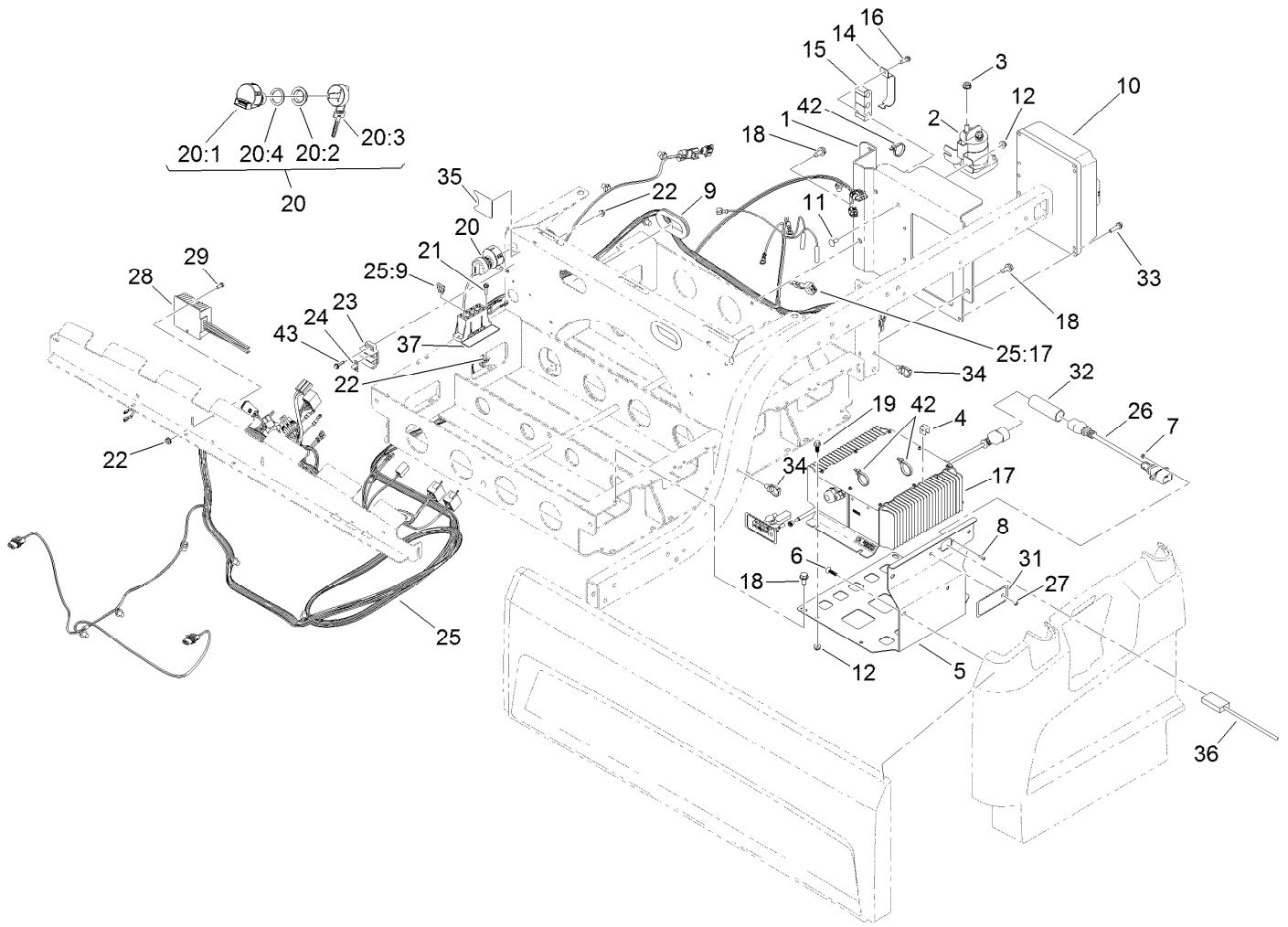
Ref.	Part Number	Qty.	Description
1	132-4924	1	Bracket-End, Drive
3	132-4925	1	Sensor
4	132-4926	1	Screw
6	132-4927	1	Plate-Connection
7	132-4928	1	Bracket-End, Rear
8	132-4929	1	Bearing



Controller Assembly

Ref.	Part Number	Qty.	Description	Ref.	Part Number	Qty.	Description
1	131-8415-03	1	Bracket-Controller	19	99-6810	4	Screw-HHF
2	104-7136	1	Contactora-48V	20	110-2580	1	Switch-Key, Supervisor
3	107-0380	2	Nut-HHF	20:1		1	Switch-Key ●
4	32180-082	1	Clip-Edge W/Tie, Perpendicular	20:2	108-8660	1	Nut-Mounting
5	131-8483-03	1	Bracket-Charger	20:3	110-5221	1	Set-Key, Supervisor
6	120-2349	4	Screw	20:4	108-8659	1	Washer-Backup
7	3296-9	2	Nut-Hex	21	32105-13	2	Screw-HWH
8	3249-3	2	Screw-PRH	22	3290-148	4	Nut-HF
9	240-12	2	Grommet	23	42862	1	Block-Terminal, Ground
10	127-2767	1	Controller-Sevcon	24	42863	1	Strip-Jumper
11	3229-11	2	Screw-CARR	25	122-0524	1	Harness-Wire, 48V Vehicle
12	104-7201	6	Nut-HF	25:9	117-4724	1	Fuse-Blade, 10A
14	131-8482	1	Retainer-Isolator	25:17	100-4918	2	Diode
15	131-8420	1	Isolator-Clamp	26	131-8497	1	Cordset
16	49-2040	1	Screw-HWHTF	27	131-8499	1	Holder-LED
17	131-8490	1	Charger-48V Onboard	28	131-8509	1	Converter-48V To 12V
18	32144-70	5	Screw-HWHTF	29	32105-8	2	Screw-SHH
				31	131-8495	1	Decal-Function, Charger

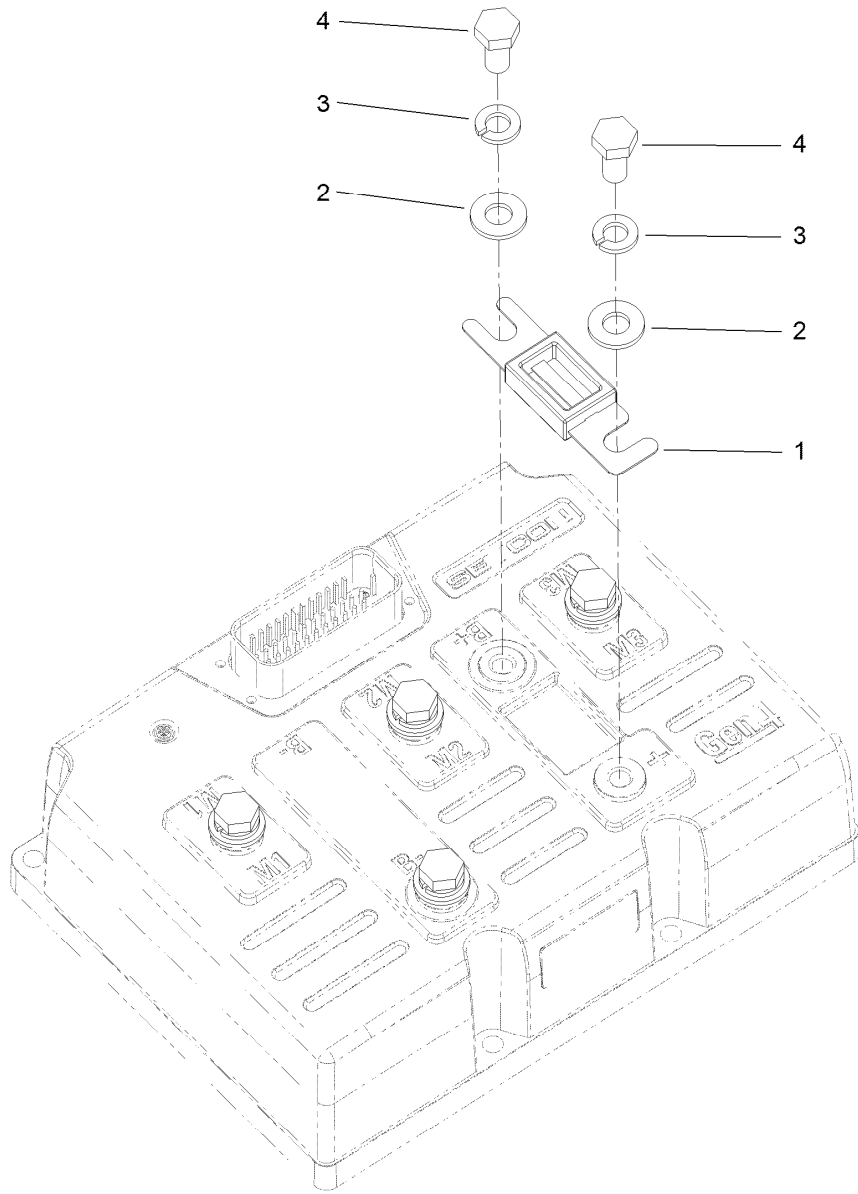
● Not serviced separately



Controller Assembly (continued)

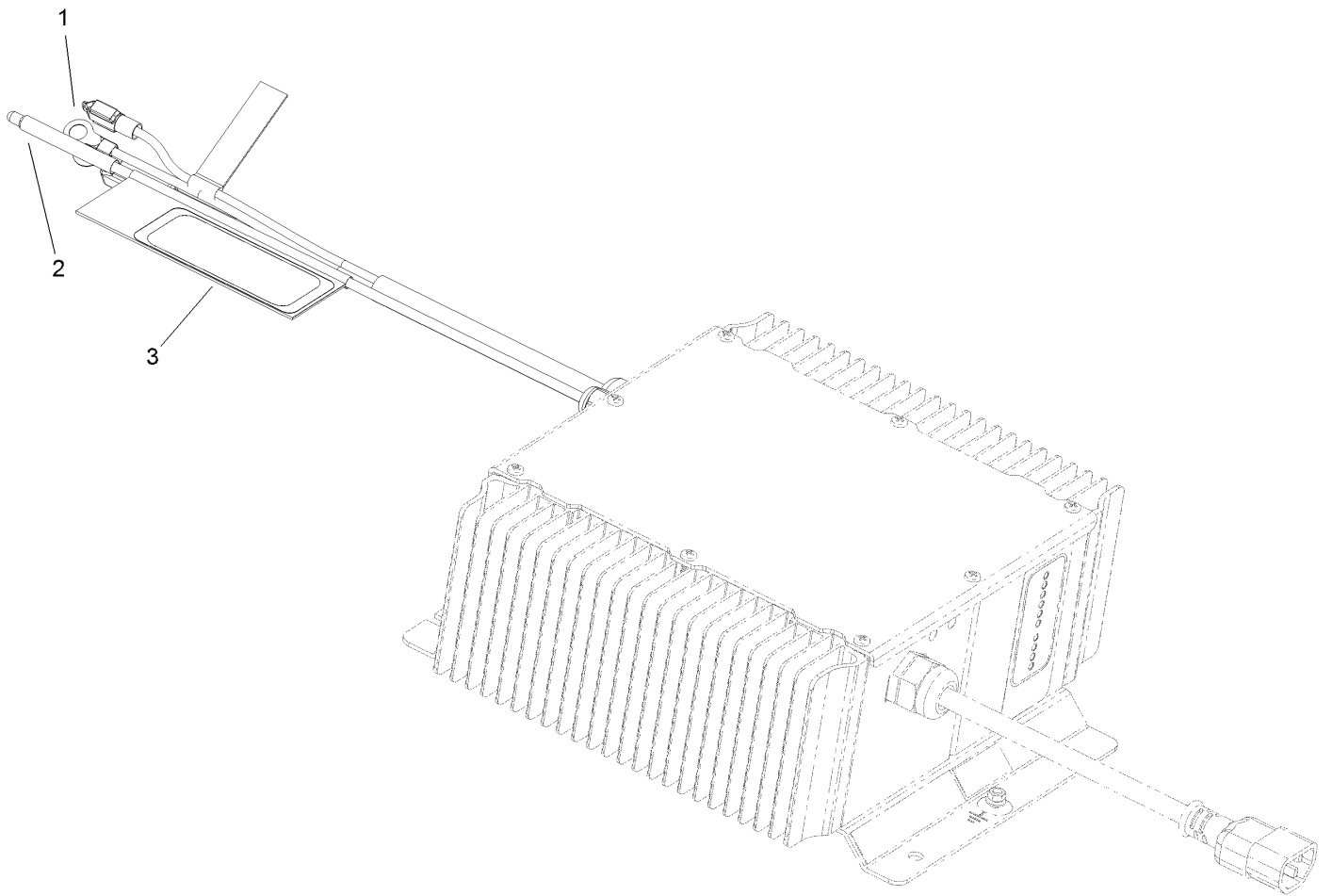
<i>Ref.</i>	<i>Part Number</i>	<i>Qty.</i>	<i>Description</i>	<i>Ref.</i>	<i>Part Number</i>	<i>Qty.</i>	<i>Description</i>
32	107-0341	1	Tube-Shrink, Heat	36	107-0383	1	Powercord-AC, U.K.
33	32144-86	4	Screw-HWHTF	36	107-0384	1	Powercord-AC
34	32180-030	3	Clip-Tie	37	131-8551	1	Decal-Fuse Block, 48V
35	131-8527	1	Decal-Mode	42	3290-378	3	Tie-Cable
36	107-0382	1	Powercord-AC, Europe	43	100-4351	2	Screw-HWH

● Not serviced separately



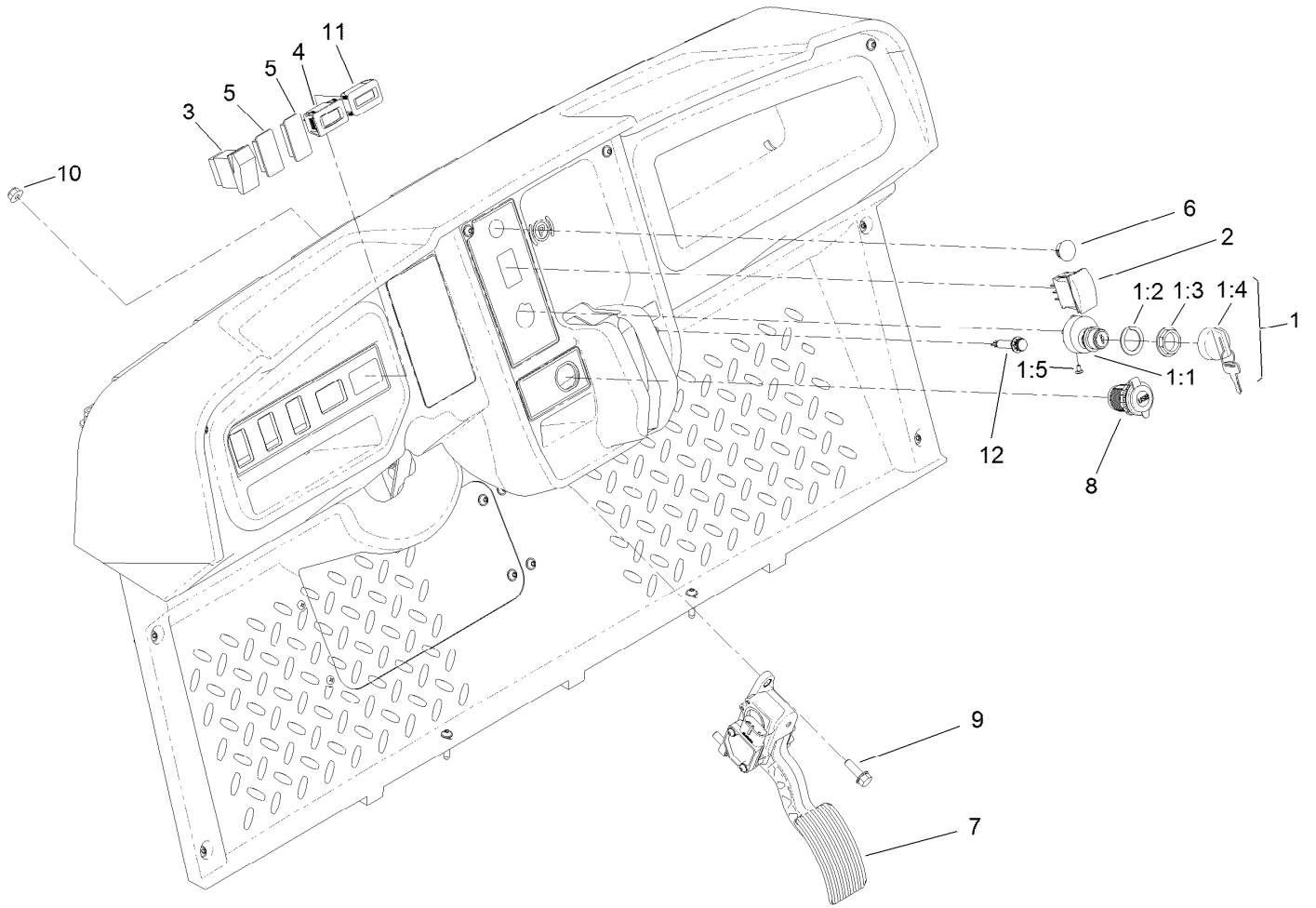
Sevcon Controller Assembly No. 127-2767

<i>Ref.</i>	<i>Part Number</i>	<i>Qty.</i>	<i>Description</i>
1	131-8494	1	Fuse-425 Amp
2	33094-00	6	Washer-Plain
3	3253-4	6	Washer-Lock
4	33114-016	6	Screw-HH



Onboard Charger Assembly No. 131-8490

<i>Ref.</i>	<i>Part Number</i>	<i>Qty.</i>	<i>Description</i>
1	131-8511	1	Thermister Repair Kit
2	131-8512	1	Remote LED
3	131-8495	1	Decal-Function, Charger



Accelerator Pedal and Key Switch Assembly

Ref.	Part Number	Qty.	Description	Ref.	Part Number	Qty.	Description
1	120-4815	1	48V Key Switch ASM	5	99-7420	2	Plug-Hole
1:1		1	Switch-Key ●	6	94-5627	1	Plug
1:2	108-8659	1	Washer-Backup	7	121-9675	1	Pedal-Accelerator
1:3	108-8660	1	Nut-Mounting	8	131-8388	1	Socket-USB
1:4	106-5270	1	Ignition Key Set	9	3234-29	3	Screw-HHF
1:5	3250-28	3	Screw	10	104-8300	3	Nut-HF, NI
2	122-0784	1	Switch-Rocker, On-Off-On	11	131-8381	1	Gauge-Battery
3	95-8999	1	Switch	12	131-8383	1	Light-Indicator
4	120-2244	1	Hourmeter				

● Not serviced separately

Attachments and Accessories

For 07043EX Workman GTX Electric Utility Vehicle with Extended Chassis

Product Name	Model/Part
Multi-passenger Kit.....	07133
Bucket Seat Base Kit (2016).....	07134
Bench Seat Base Kit (2016).....	07135
48V Electric Lift Kit.....	07143
Brush Guard Kit.....	07145
Front Hitch Kit, Workman GTX Series Utility Vehicles with Brush Guard.....	07146
Front Hitch Kit, Workman GTX or MDX Series Utility Vehicles without Brush Guard.....	07147
Steel Flat Bed Kit.....	07148
Extended Bed Kit.....	07149
Storage Box Kit.....	07156
Ball Picker Mounting Bracket Kit.....	07157
Walk Spreader Mounting Kit.....	07029
6in L-Track Kit.....	07158
2in L-Track Kit.....	07159
Hose Reel Mounting Kit.....	07027
Class 1 Draw Bar Kit.....	133-3095
Aggressive Tire Kit.....	07423
Hand Pump Hose Asm.....	131-8522
Horn Kit.....	133-3017
Reverse Alarm Kit.....	131-8549
Power Point Kit.....	131-8550
Power Converter Kit.....	133-0959
Trash Can Mounting Kit.....	07028
Bed Rack Kit.....	07031
Cab Kit.....	07142
Canopy Kit.....	07140
Canopy Kit, Multi-passenger Workman GTX Utility Vehicle.....	07141
Mount-Ball.....	133-7116
Brake and Signal Light Kit.....	133-7127
Road Light and Homologation Kit.....	133-7128
48V 6 Foot Bed Electric Lift Kit.....	07168
Front Spring Kit.....	133-7145
Canopy Mount Kit, Workman GTX Utility Vehicle with Extended Flatbed.....	133-7160
Tire-20 8.00-10.....	116-7333
MVP Kit 400 Hour.....	136-6280
Cab Mount Kit, Workman GTX Utility Vehicle with Extended Flatbed.....	133-7198
Service Hood ASM.....	133-7209
ROPS Kit.....	07032
Crated Finishing Kit.....	07045
Cargo Bed Kit.....	07046
Bench Seat Base Kit.....	07047
Bucket Seat Base Kit.....	07048
Extension Kit.....	07049
Small Bedrack Mount Grip Kit.....	136-6311
Large Bedrack Mount Grip Kit.....	136-6312
Wireless Hourmeter Kit.....	136-6324

Attachments and Accessories (continued)

Optional Rear Tire GTX-K500.....	137-2785
Deionizer-Water.....	137-2884
Plate-Skid	137-2887-03
Seat Hinge Kit.....	133-7346

Notes:

Notes:

Notes:



Count on it.