



**Count on it.**

**Parts Catalog**

**GrandStand® Mower**

**With 36in TURBO FORCE® Cutting Unit**

Model No. 74534—Serial No. 40000000 and Up



# Ordering Replacement Parts

To order replacement parts, please supply the part number, the quantity, and the description of each part desired.

## Understanding Reference Numbers

Each identified part in an illustration has a reference number. The reference number for a part also appears in the parts list, along with other information about the part.

This catalog uses two special reference number formats, one to indicate parts in a service assembly and another to indicate the quantity of a given part in an illustration.

## Service Assembly Reference Numbers

Parts in service assemblies have reference numbers in the form a:b. The a represents the reference number of the entire service assembly and the b represents a sequential number unique to each part within the service assembly.

For example, a wheel assembly might be identified by reference number 6, the tire by 6:1, the valve by 6:2, and the wheel by 6:3. When you order the assembly identified by reference number 6, you receive all parts identified by reference numbers 6:1, 6:2, and 6:3. However, you may also order any part individually. Reference numbers of this type appear in illustration and in parts lists.

## Reference Numbers Indicating Quantity

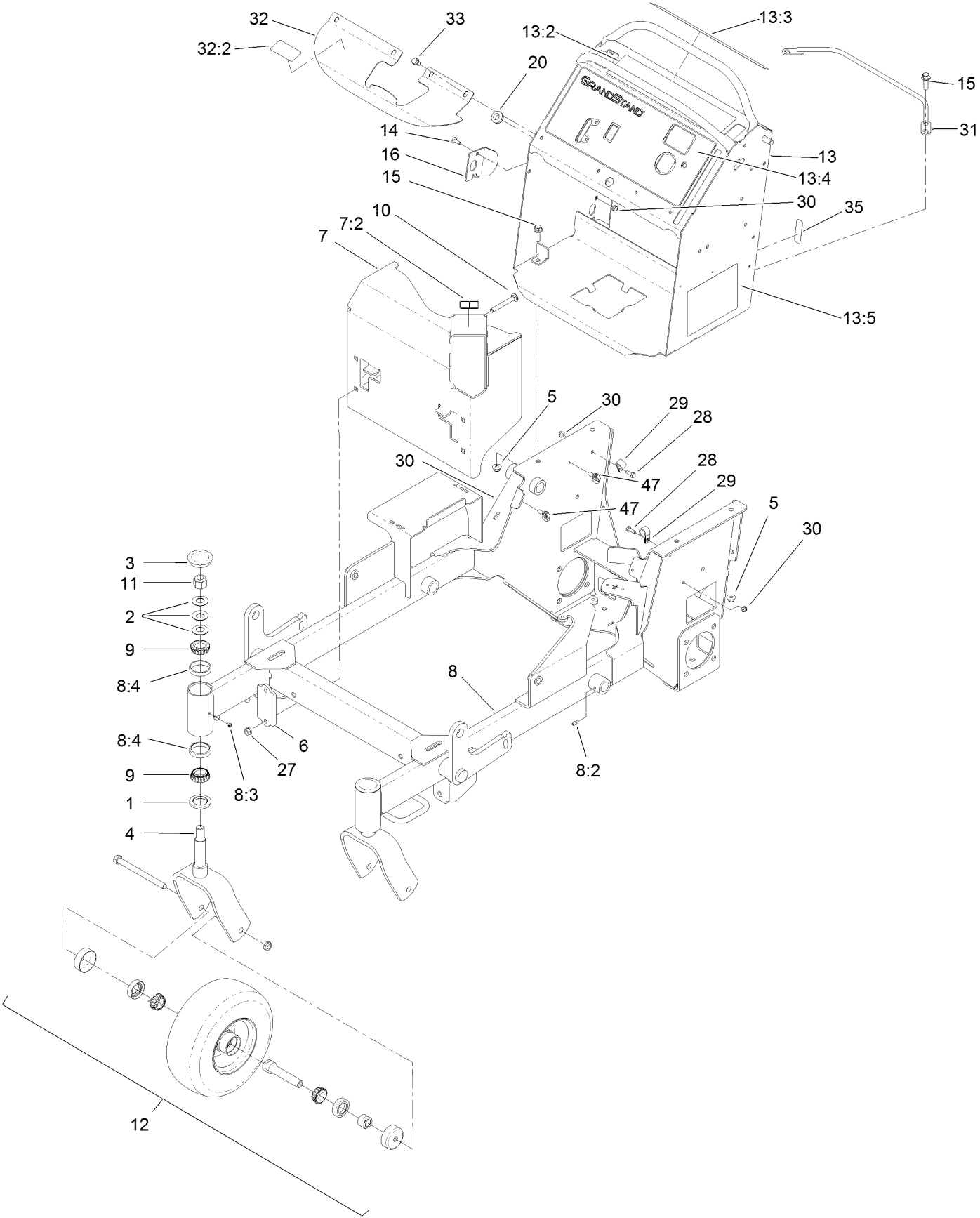
In an illustration, if a reference number indicates more than one part, the reference number has the form nX y. The n represents the quantity of the part, the X is the multiplication symbol, and the y represents the reference number.

For example, in an illustration, the reference number 2X 37 means that two of the parts identified by reference number 37 are indicated.

# Contents

Main Frame Assembly .....	4
Wheel, Tire and Bearing Assembly No. 130-4558 .....	6
Parking Brake Assembly .....	8
Height-of-Cut Plate Assembly .....	10
Deck Lift Assembly .....	12
Deck Lift Spring Assembly No. 119-2337 .....	14
Cushion and Platform Assembly .....	16
Cushion Assembly No. 130-1767 .....	18
Platform Assembly No. 132-9402 .....	20
Traction Drive Assembly .....	22
Hydraulic Pump Assembly No. 119-0176 .....	24
Hydraulic Pump Assembly No. 119-0177 .....	25
Hydraulic Motor Assembly 104-1171 .....	26
Pump Idler Assembly No. 117-7685 .....	28
Motion Control Assembly .....	30
Engine Assembly .....	32
Fuel Tank Assembly .....	34
Vent Hose Assembly .....	36
Electrical Assembly .....	38
Deck Assembly .....	40
Deflector Assembly No. 119-2347 .....	42
Spindle Assembly No. 117-7638 .....	44
Deck Decal Assembly No. 121-6015 .....	46
Attachments and Accessories .....	48

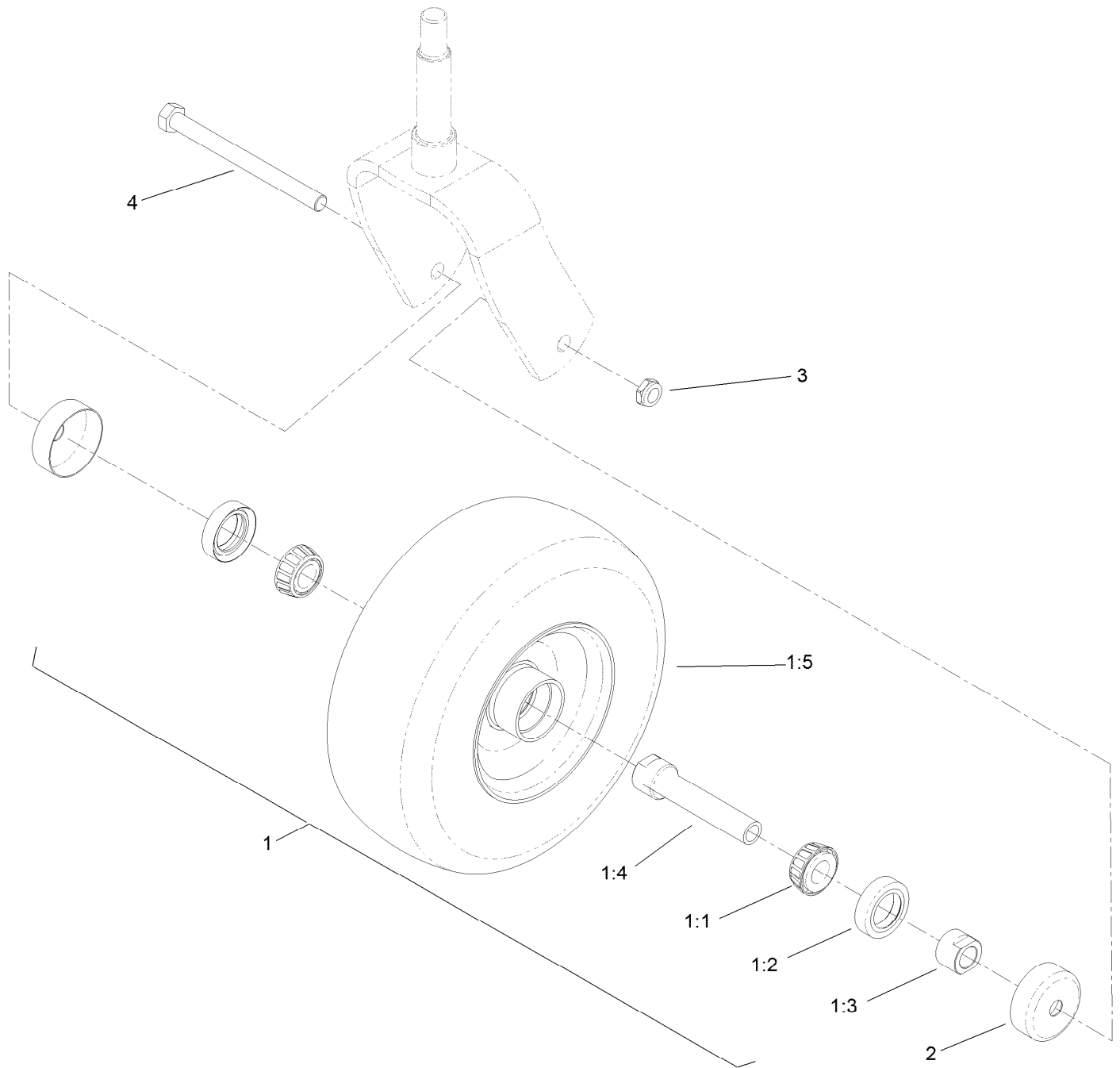
# Main Frame Assembly



## Main Frame Assembly (continued)

<i>Ref.</i>	<i>Part Number</i>	<i>Qty.</i>	<i>Description</i>	<i>Ref.</i>	<i>Part Number</i>	<i>Qty.</i>	<i>Description</i>
1	116-5647	2	Seal-Grease	13:2	117-0454	1	Decal-OPC
2	1-633508	6	Washer-Bellville	13:3	117-3626	1	Decal-Warning
3	103-4882	2	Cap-Grease	13:4	125-4679	1	Decal-Panel, Control
4	121-7988-01	2	Fork-Caster	13:5	119-0185	1	Decal-Service/Spark Arrest
5	104-8301	4	Nut-HF, NI	14	1-807512	1	Bolt-CARR
6	119-7303-01	2	Bracket-Mounting, Guard	15	119-4061	4	Screw-HHF
7	116-8739	1	Muffler Guard ASM	16	119-7312	1	Plate-Striker
7:2	106-5517	1	Decal-Warning	20	112-7069	1	Grommet
8	125-4650	1	Frame ASM	27	32128-21	4	Nut-HF
8:2	302-5	7	Fitting-Grease	28	321-4	2	Screw-HH
8:3	1-811010	2	Plug	29	2412-87	2	Clamp-Cable
8:4	1-543508	4	Cup-Bearing	30	104-7201	3	Nut-HF
9	1-543509	4	Bearing-Roller, Tapered	31	119-1878-03	1	Retainer-Cable
10	3231-10	4	Screw-CARR	32	119-0239	1	Cover-Tank
11	3296-51	2	Nut-Lock, NI	32:2	116-8775	1	Decal-Fill, Fuel
12	130-4558	2	Wheel/Tire And Bearing ASM	33	32144-70	4	Screw-HWHTF
13	125-4675	1	Control Tower ASM	35	116-8772	1	Decal-Fuse
				47	32180-040	2	Clip-Harness

# Wheel, Tire and Bearing Assembly No. 130-4558



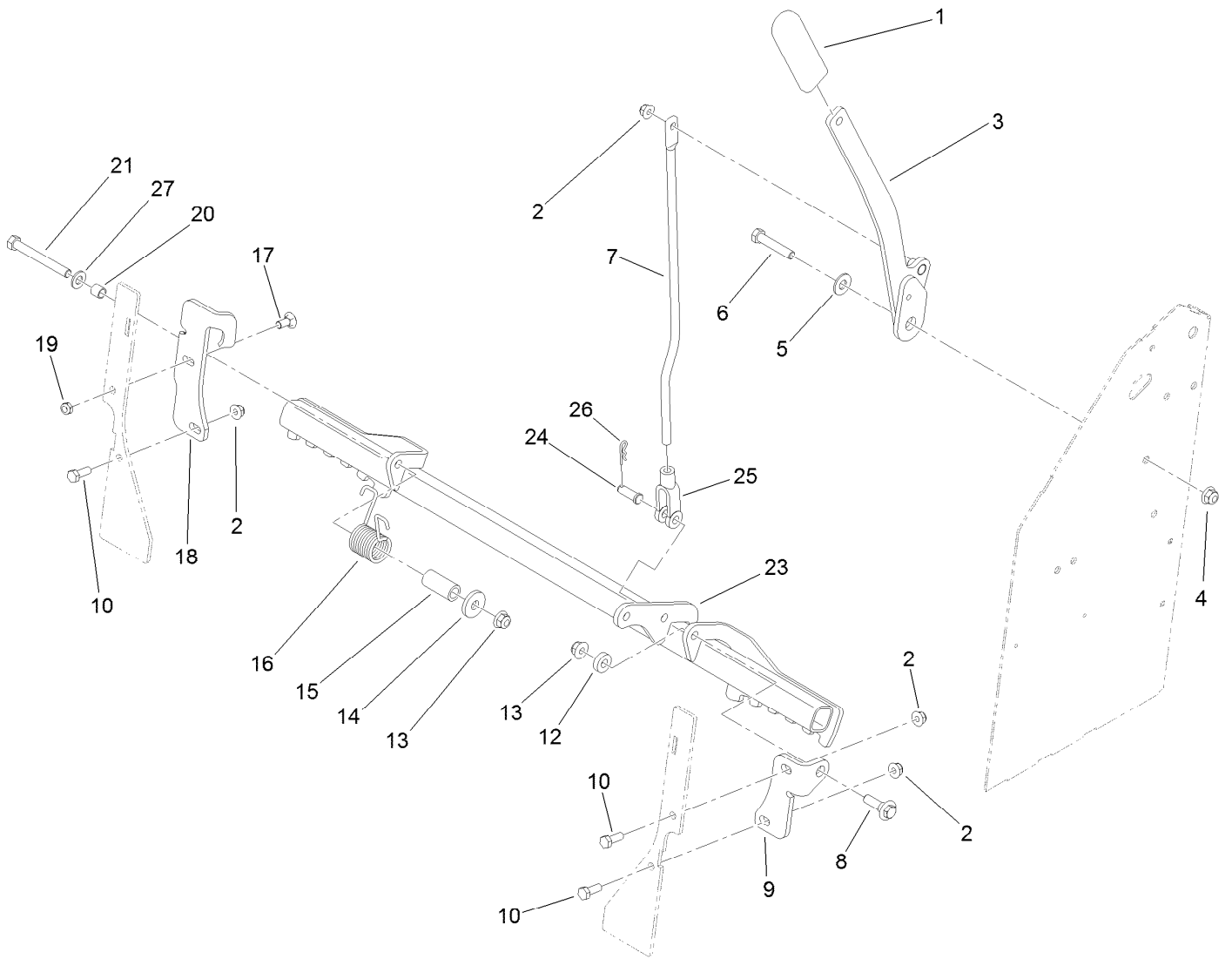
# Wheel, Tire and Bearing Assembly No. 130-4558 (continued)

<i>Ref.</i>	<i>Part Number</i>	<i>Qty.</i>	<i>Description</i>	<i>Ref.</i>	<i>Part Number</i>	<i>Qty.</i>	<i>Description</i>
1		1	Wheel And Bearing ASM ●	1:5	130-4563	1	Wheel And Tire ASM
1:1	1-633585	2	Bearing-Cone, Taper	2	103-2768	2	Guard-Seal
1:2	103-0063	2	Seal-Caster	3	3296-45	1	Nut-Hex
1:3	103-3051	1	Spacer-Nut ■	4	325-20	1	Screw-HH
1:4	126-5359	1	Caster Axle ASM				

● Not serviced separately

■ Use Pro-Lock, Nut Type (P/N 1-840022, .5ml tube) on spacer nut

# Parking Brake Assembly

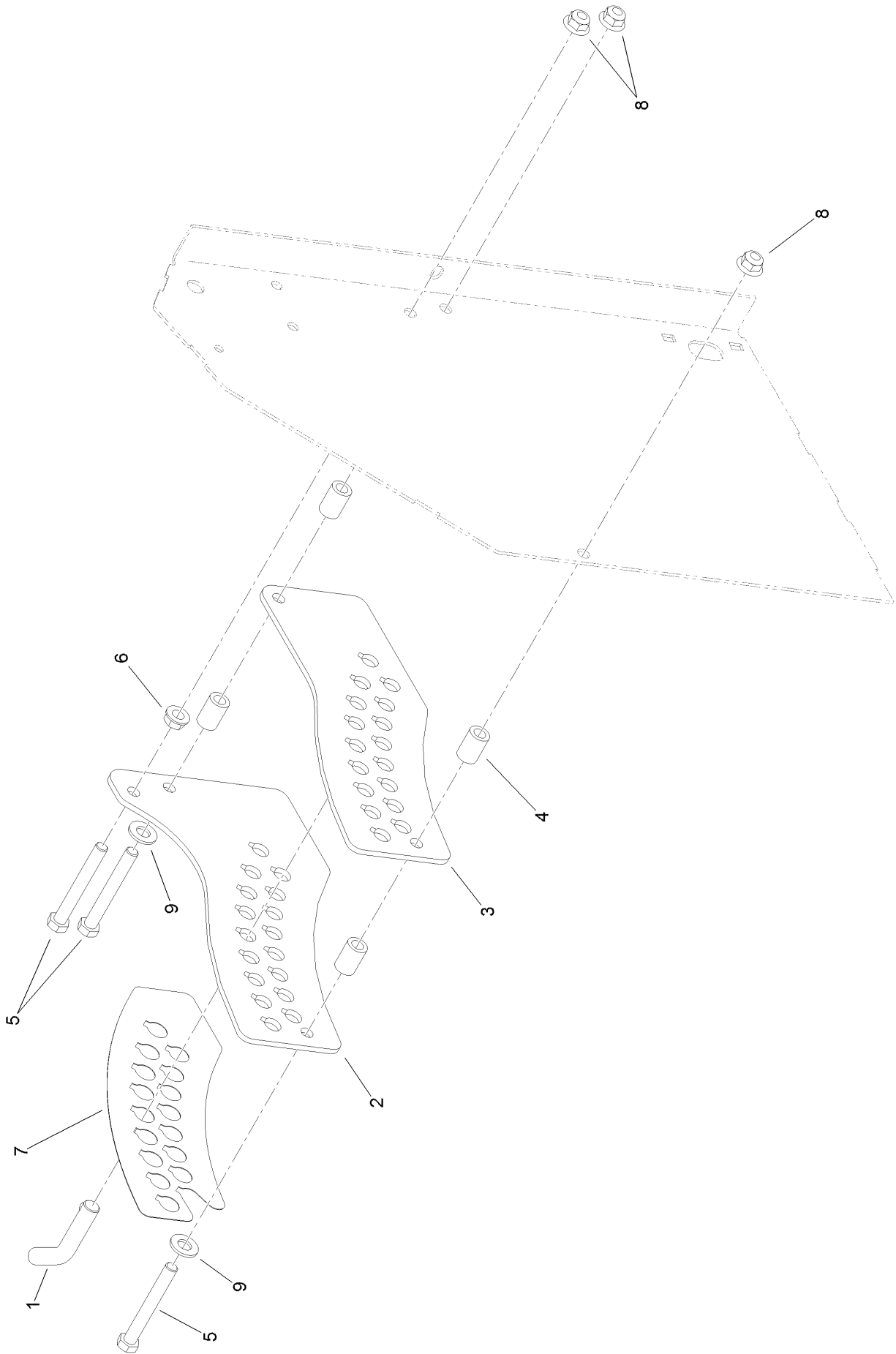




## Parking Brake Assembly (continued)

<i>Ref.</i>	<i>Part Number</i>	<i>Qty.</i>	<i>Description</i>	<i>Ref.</i>	<i>Part Number</i>	<i>Qty.</i>	<i>Description</i>
1	1-633268	1	Grip-Lever	15	117-9683	1	Spacer
2	104-8300	4	Nut-HF, NI	16	108-4052	1	Spring-Torsion
3	119-1861-01	1	Handle-Brake	17	3230-1	1	Bolt-CARR
4	104-8301	1	Nut-HF, NI	18	125-4667-01	1	Bracket-Brake Mount, RH
5	3256-4	1	Washer-Flat	19	3296-47	1	Nut-Lock, NI
6	323-10	1	Screw-HH	20	117-9684	1	Spacer
7	117-6199	1	Rod-Link, Brake	21	323-20	1	Screw-HH
8	614672	1	Screw-Shoulder, HWH	23	116-4600-03	1	Bar-Brake
9	119-1860-01	1	Bracket-Brake Mount, LH	24	283-2	1	Pin-Clevis
10	322-4	3	Screw-HH	25	1-633131	1	Yoke-Linkage, Brake
12	5-0652	1	Spacer	26	3290-307	1	Pin-Cotter
13	104-8301	2	Nut-HF, NI	27	3256-24	1	Washer-Flat
14	1-373034	1	Washer				

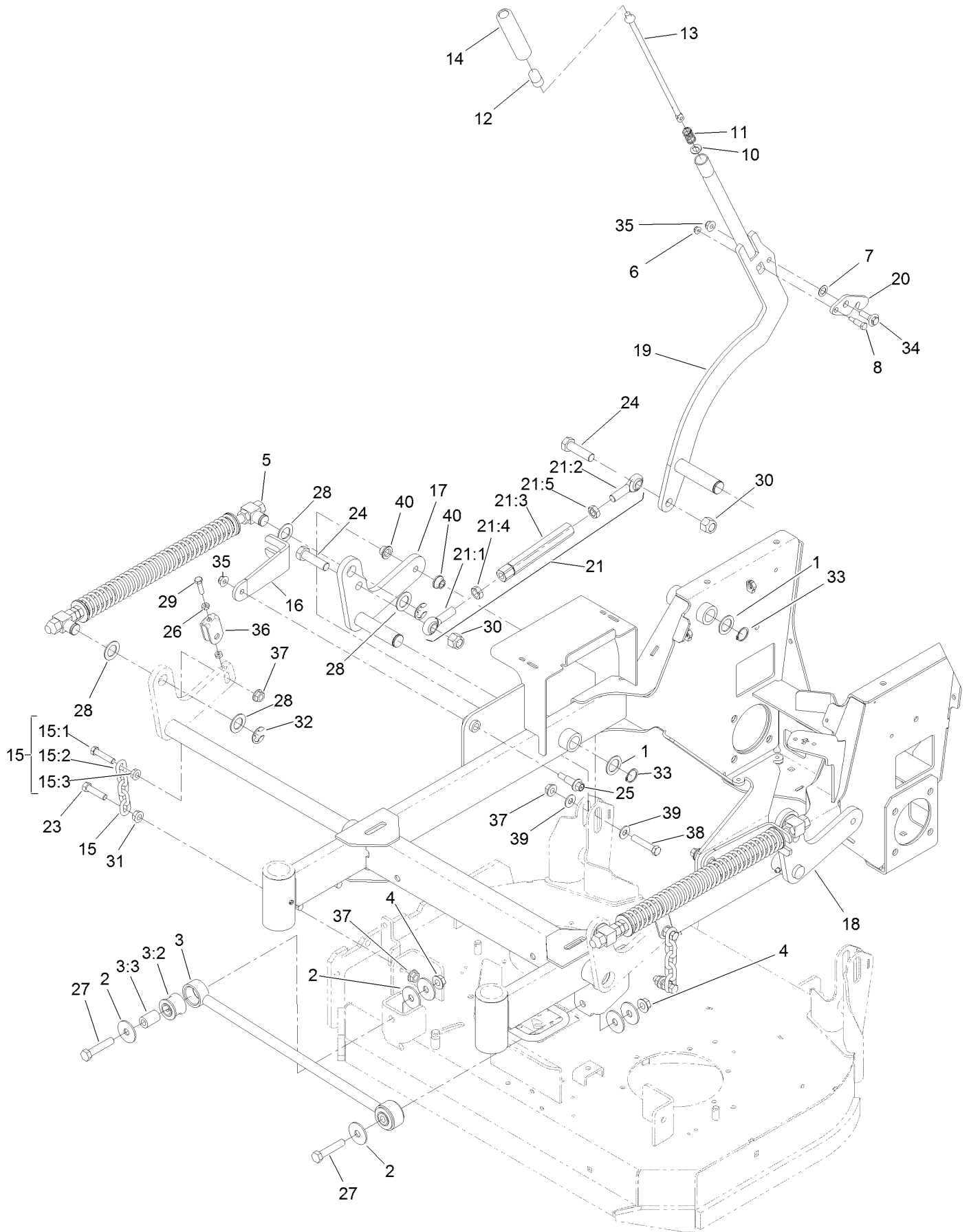
# Height-of-Cut Plate Assembly



## Height-of-Cut Plate Assembly (continued)

<i>Ref.</i>	<i>Part Number</i>	<i>Qty.</i>	<i>Description</i>	<i>Ref.</i>	<i>Part Number</i>	<i>Qty.</i>	<i>Description</i>
1	116-5584	1	Pin-HOC	6	3290-357	1	Nut-HHF, Whiz
2	117-5286-01	1	Plate-HOC, Outside	7	119-2317	1	Decal-HOC
3	117-5287-01	1	Plate-HOC, Inside	8	104-8301	3	Nut-HF, NI
4	114-2754	4	Spacer	9	3256-24	2	Washer-Flat
5	323-14	3	Screw-HH				

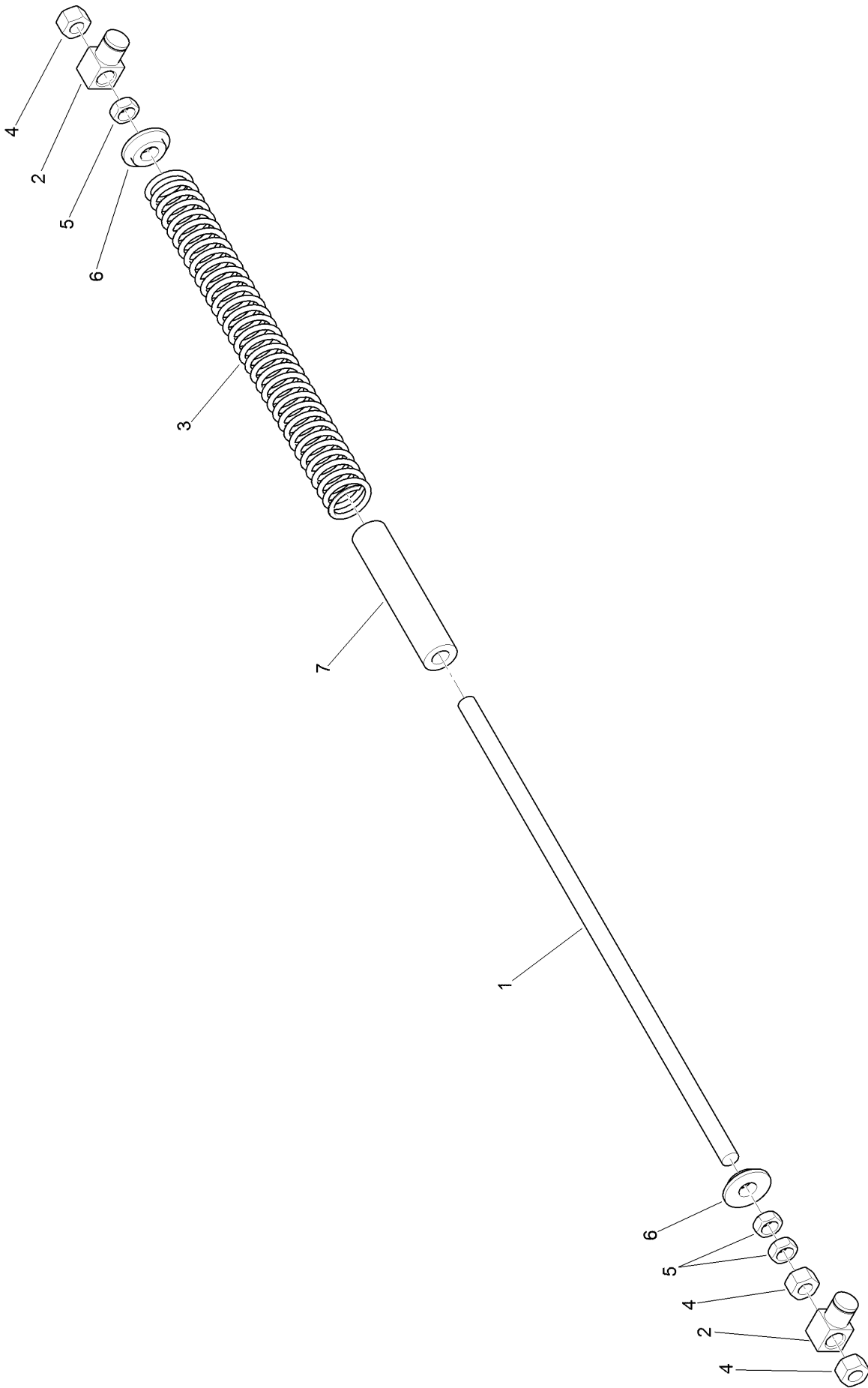
# Deck Lift Assembly



## Deck Lift Assembly (continued)

<i>Ref.</i>	<i>Part Number</i>	<i>Qty.</i>	<i>Description</i>	<i>Ref.</i>	<i>Part Number</i>	<i>Qty.</i>	<i>Description</i>
1	1-523157	3	Washer-Spacer	21	119-0383	1	Deck Lift Link ASM
2	86-1990	4	Washer-Thrust	21:1	1-633029	1	Balljoint-Spherical
3	109-5013	1	Panhard Rod ASM	21:2	117-5291	1	Balljoint-Spherical
3:2	109-5009	2	Bushing-Suspension, Rubber	21:3	119-0382	1	Link-Lift, Deck
3:3	109-5010	2	Spacer	21:4	3220-6	1	Nut-Jam
4	32128-23	2	Nut-HF	21:5	117-5293	1	Nut-Jam
5	119-2337	2	Deck Lift Spring ASM	23	324-7	2	Screw-HH
6	104-7201	1	Nut-HF	24	327-22	2	Screw-HH
7	98-1629	1	Washer	25	62-1330	2	Bolt-Shoulder
8	119-2309	1	Bolt-Shoulder	26	3218-2	4	Nut-Jam
10	114-1207	1	Washer-Special	27	325-10	2	Screw-HH
11	114-8187	1	Spring-Compression	28	119-2332	8	Washer-Flat
12	115-2750	1	Knob	29	119-3626	2	Screw-HH
13	136-0530	1	Rod-Latch, Release	30	3296-53	2	Nut-Lock, NI
14	115-3592	1	Grip	31	32128-37	2	Nut-HF
15	116-0756	2	Deck Lift Chain ASM	32	32151-103	4	Ring-Retaining, EXT
15:1	1-633447	1	Chain-Lift, Deck	33	32151-29	3	Ring-Retaining
15:2	109-9065	1	Screw-HH	34	614672	1	Screw-Shoulder, HWH
15:3	32128-37	1	Nut-HF	35	104-8301	3	Nut-HF, NI
16	119-2302-01	2	Bracket-Fork	36	109-9066	2	Yoke-Adjust, Deck
17	121-6014-01	1	Arm-Lift, RH	37	32128-42	6	Nut-HF
18	121-6013-01	1	Arm-Lift, LH	38	324-9	2	Screw-HH
19	117-5290-01	1	Arm-Lift, HOC	39	3256-4	4	Washer-Flat
20	117-5292	1	Latch-HOC	40	116-2428	4	Bushing-Flanged

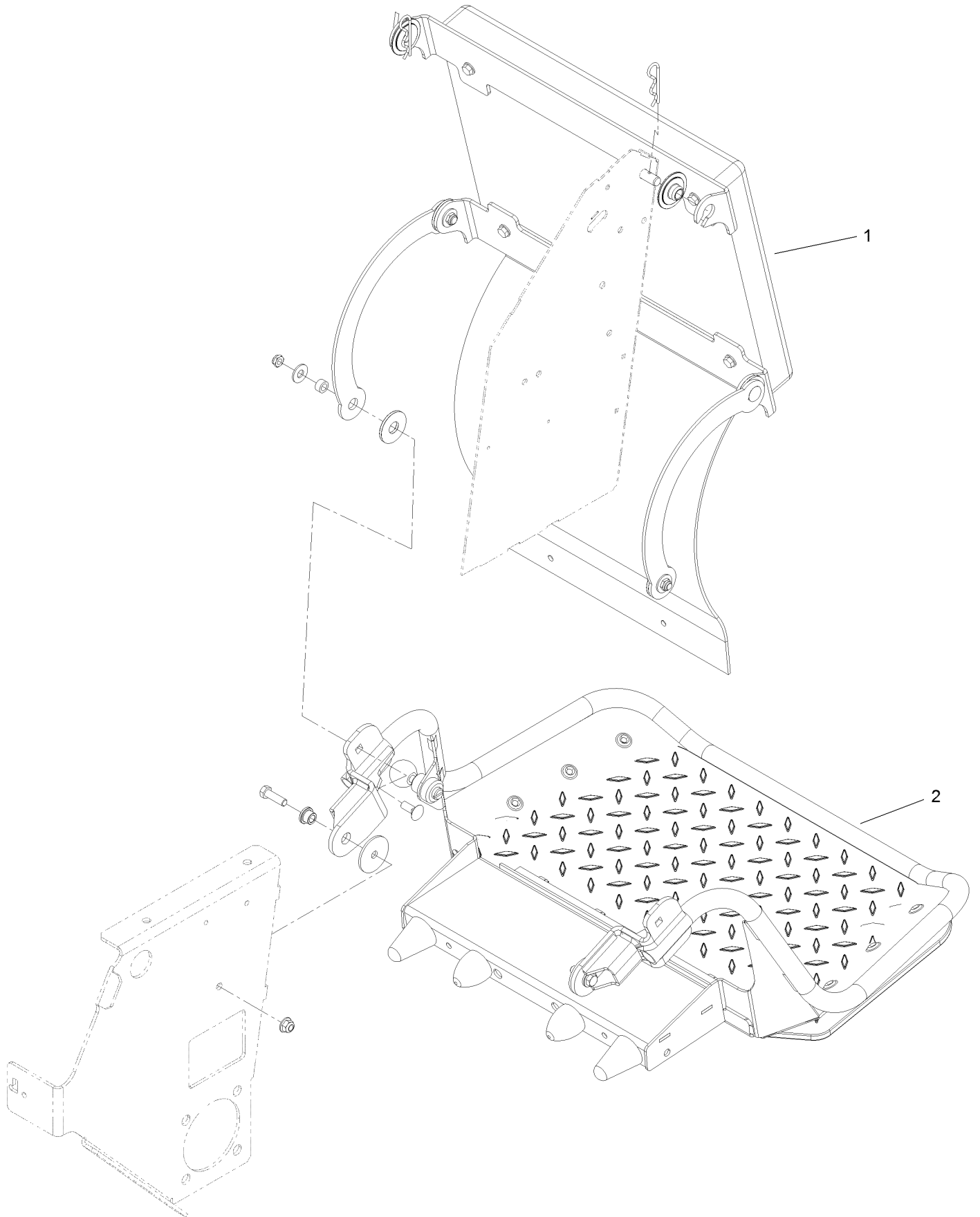
# Deck Lift Spring Assembly No. 119-2337



# Deck Lift Spring Assembly No. 119-2337 (continued)

<i>Ref.</i>	<i>Part Number</i>	<i>Qty.</i>	<i>Description</i>	<i>Ref.</i>	<i>Part Number</i>	<i>Qty.</i>	<i>Description</i>
1	1-633096	1	Rod-Lift, Deck	5	3218-6	3	Nut-Jam
2	1-633441	2	Swivel-Deck Mount, Rear	6	119-2334	2	Washer-Step
3	119-2327	1	Spring-Compression	7	119-2335	1	Tube-Guide, Spring
4	3217-11	3	Nut-Hex				

# Cushion and Platform Assembly

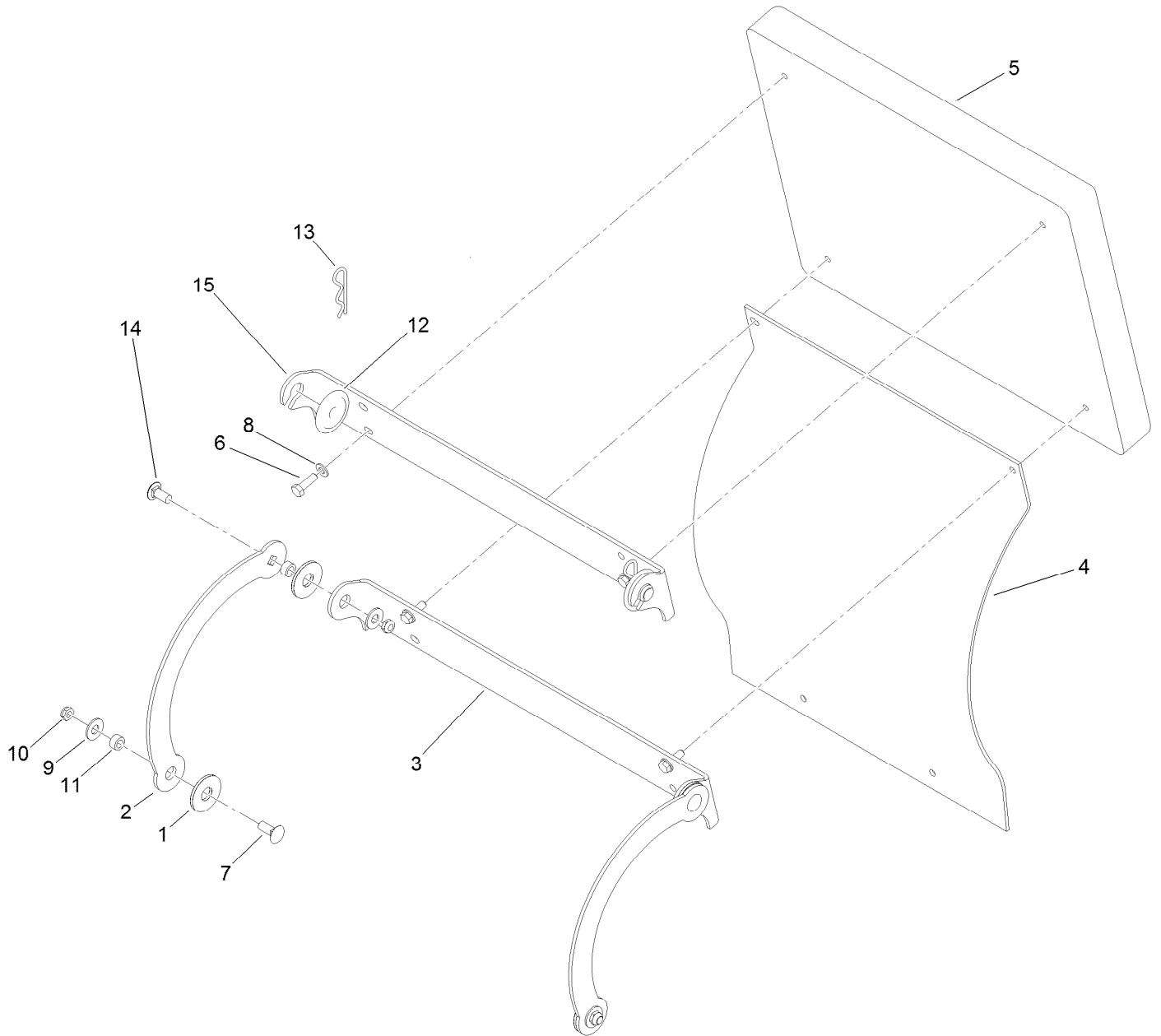




## Cushion and Platform Assembly (continued)

<i>Ref.</i>	<i>Part Number</i>	<i>Qty.</i>	<i>Description</i>
1	130-1767	1	Cushion ASM
2	132-9402	1	Platform ASM

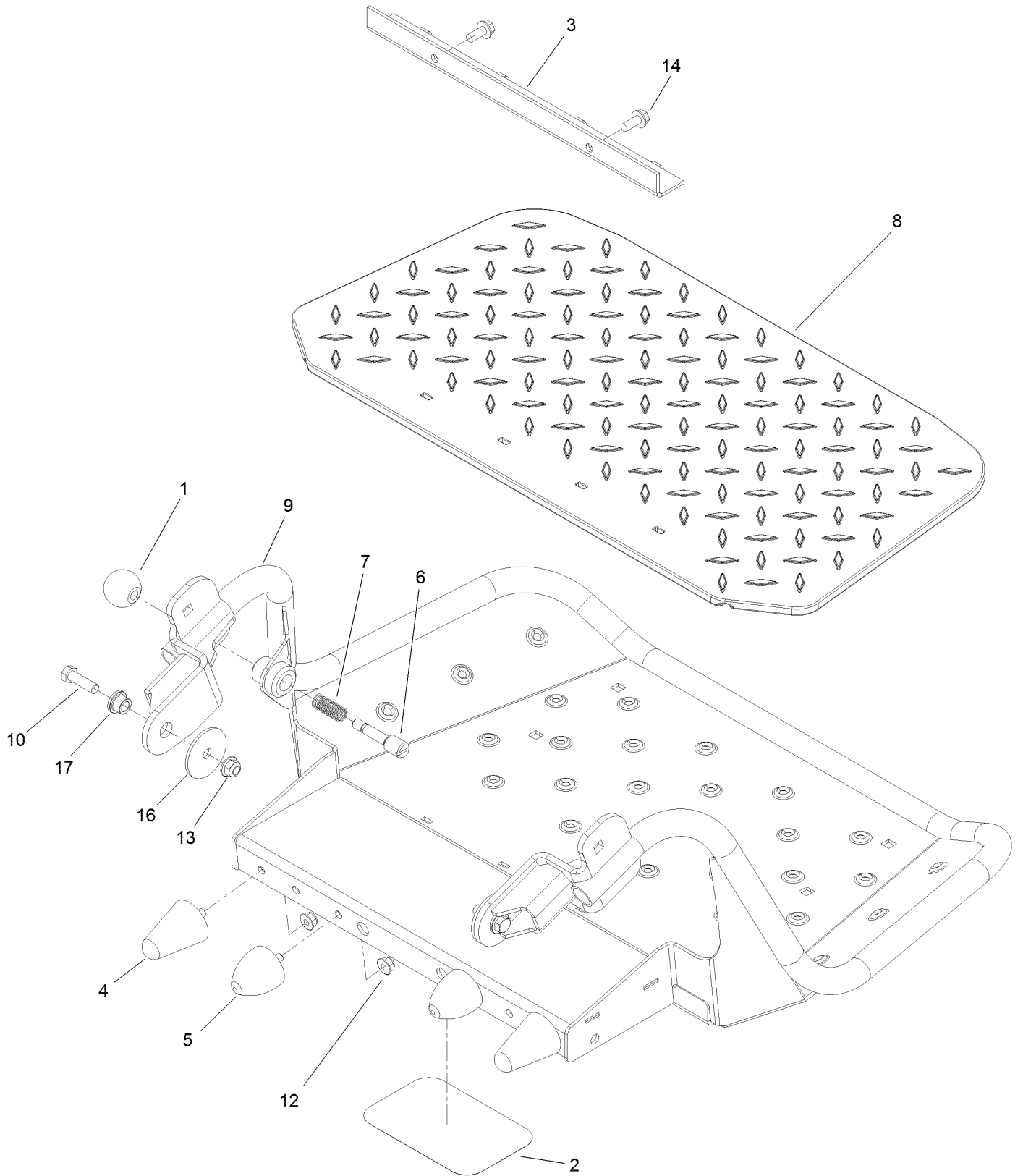
# Cushion Assembly No. 130-1767



## Cushion Assembly No. 130-1767 (continued)

<i>Ref.</i>	<i>Part Number</i>	<i>Qty.</i>	<i>Description</i>	<i>Ref.</i>	<i>Part Number</i>	<i>Qty.</i>	<i>Description</i>
1	114-0463	4	Washer-Friction, Composite	9	3256-4	4	Washer-Flat
2	114-1915-01	2	Link-Pad	10	3296-59	4	Nut-Lock, NI
3	116-2061-03	1	Hinge-Pad	11	111044	4	Spacer
4	130-1769	1	Shield-Rear	12	116-2886	2	Slide-Bushing
5	117-9739	1	Pad-Cushion	13	3290-355	2	Pin-Hair
6	121-7999	4	Screw-HH	14	3231-27	2	Screw-CARR
7	3231-2	2	Bolt-CARR	15	116-2757-03	1	Hinge-Pad
8	3256-23	4	Washer-Plain				

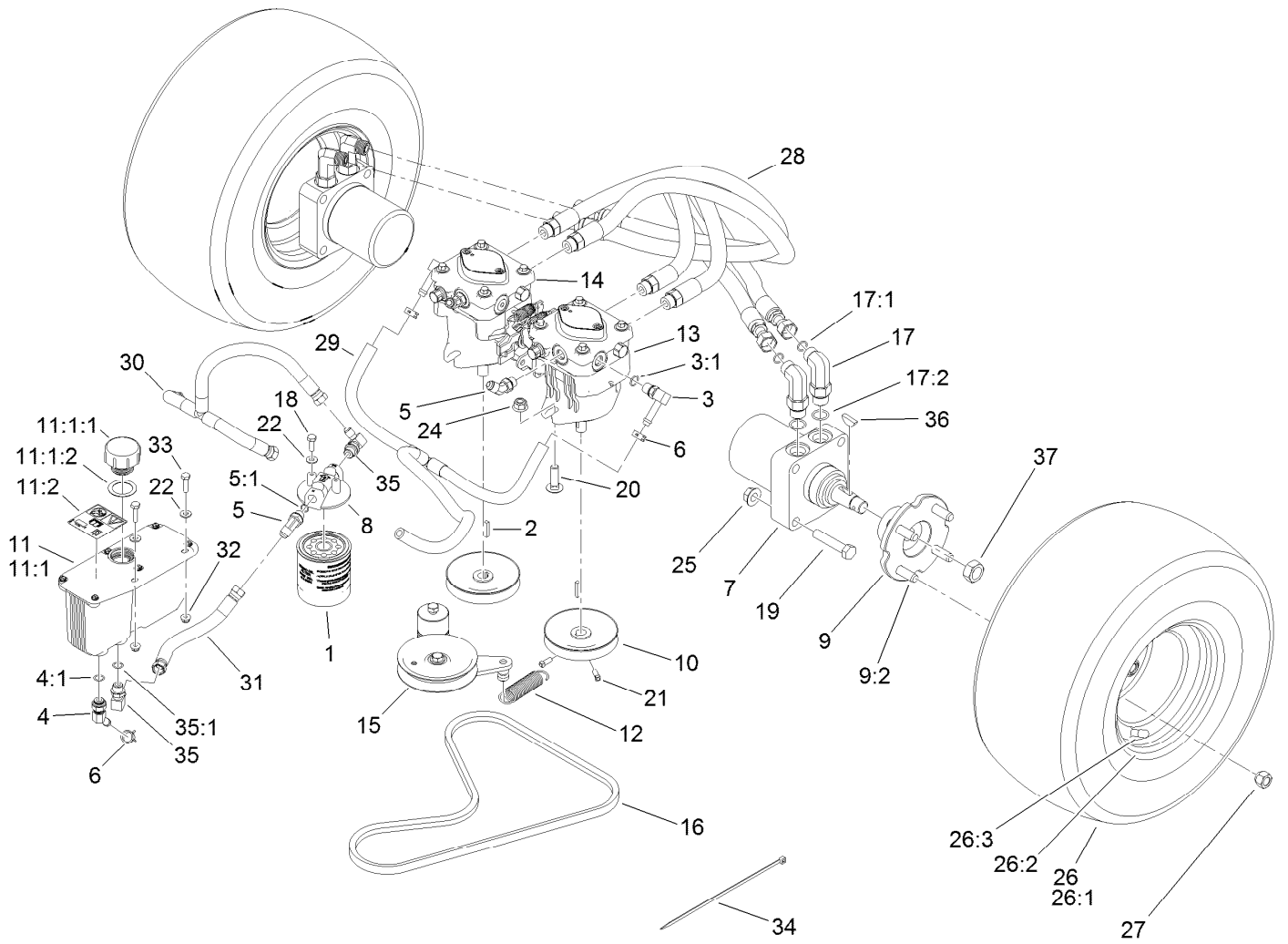
# Platform Assembly No. 132-9402



## Platform Assembly No. 132-9402 (continued)

<i>Ref.</i>	<i>Part Number</i>	<i>Qty.</i>	<i>Description</i>	<i>Ref.</i>	<i>Part Number</i>	<i>Qty.</i>	<i>Description</i>
1	1-603175	1	Knob-Ball	9	132-9403-01	1	Platform ASM
2	68-3640	1	Decal	10	323-7	2	Screw-HH
3	114-1920-03	1	Clamp-Shield	12	104-8300	4	Nut-HF, NI
4	114-1925	2	Bumper-Rubber	13	104-8301	2	Nut-HF, NI
5	114-1926	2	Bumper-Rubber	14	32144-11	2	Screw-HWHTF
6	119-8650	1	Pin-Latch	16	83-1040	2	Washer-Flat
7	114-5348	1	Spring	17	109-8788	2	Bushing-Flanged
8	126-7157	1	Mat-Platform				

# Traction Drive Assembly

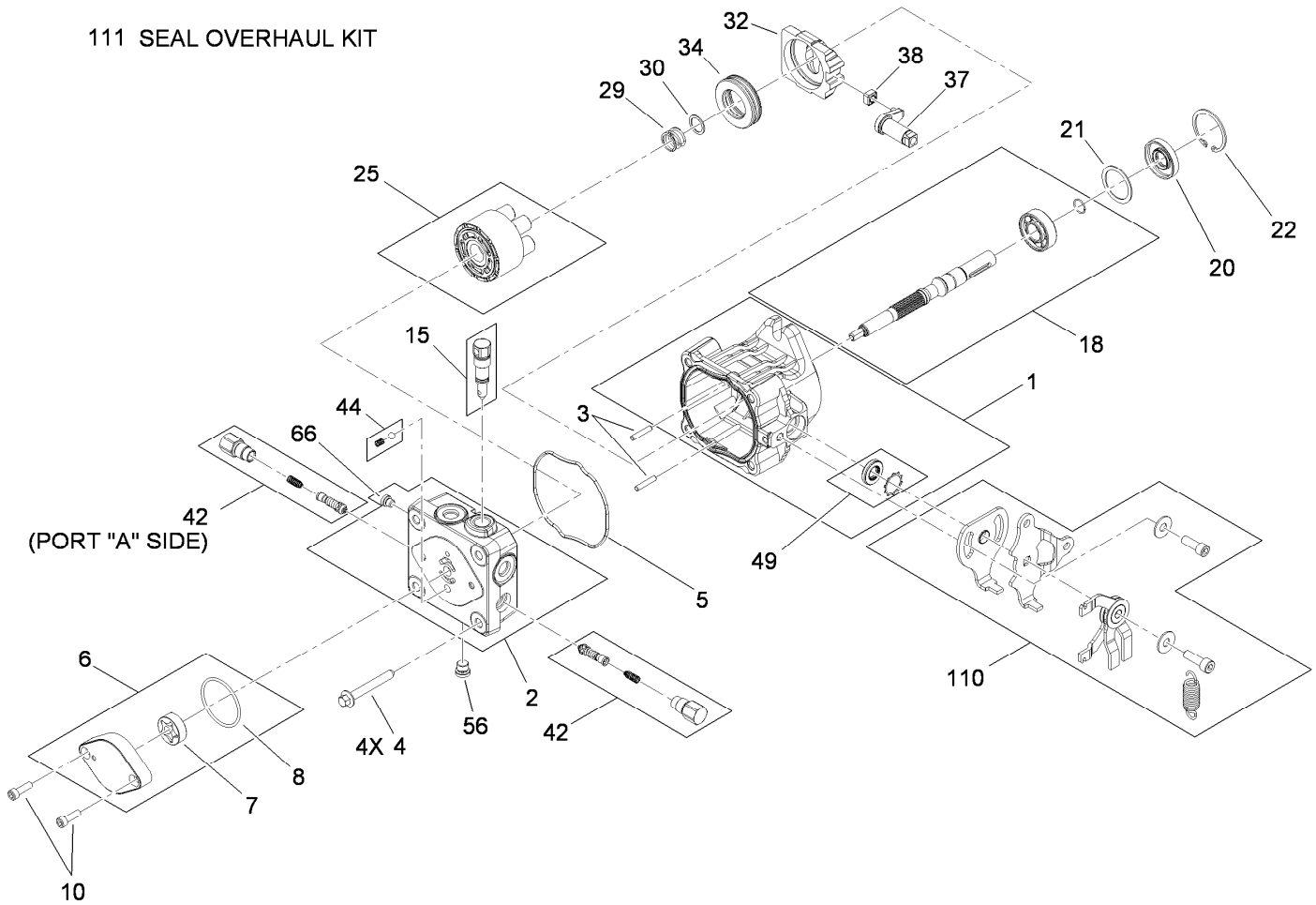


## Traction Drive Assembly (continued)

<i>Ref.</i>	<i>Part Number</i>	<i>Qty.</i>	<i>Description</i>	<i>Ref.</i>	<i>Part Number</i>	<i>Qty.</i>	<i>Description</i>
1	114-3494	1	Element-Filter, 25 Micron	17:1	237-30	1	O-Ring
2	1-807272	2	Key	17:2	237-80	1	O-Ring
3	100-4887	2	Fitting-Elbow, 90	18	321-3	2	Screw-HH
3:1	237-42	1	O-Ring	19	325-10	8	Screw-HH
4	103-1807	1	Fitting-Barbed, 45 DEG	20	3232-3	4	Bolt-CARR
4:1	237-42	1	O-Ring	21	3241-5	4	Screw-Set
5	353-212	3	Fitting-Elbow, 45 DEG	22	3256-22	4	Washer-Flat
5:1	237-42	1	O-Ring	24	114-8417	4	Nut-HF, NI
6	103-1988	3	Clamp-Hose	25	32128-23	8	Nut-HF
7	104-1171	2	HYD Motor ASM	26	130-4559	2	Wheel And Tire ASM
8	104-7836	1	Head-Filter	26:1	130-4564	1	Rim-8 Inch, Gray
9	105-0800	2	Wheel Hub ASM	26:2	116-4606	1	Tire
9:2	10-6830	4	Stud-Type, Drive	26:3	232-27	1	Stem-Valve
10	105-5648	2	Pulley-Pump	27	242-50	8	Nut-Lug
11	107-8433	1	HYD Reservoir ASM	28	119-0173	4	HYD Hose ASM
11:1		1	Reservoir-HYD ●	29	119-8745	1	HYD Hose ASM
11:1:1	103-1948	1	Cap-Reservoir, HYD	30	119-0206	1	HYD Hose ASM
11:1:2	103-1949	1	Gasket-Cap	31	119-0203	1	HYD Hose ASM
11:2	115-4212	1	Decal-Warning	32	104-7201	2	Nut-HF
12	108-4056	1	Spring-Extension	33	321-6	2	Screw-HH
13	119-0176	1	Hydraulic Pump ASM	34	3290-378	1	Tie-Cable
14	119-0177	1	Hydraulic Pump ASM	35	103-1802	2	Fitting-Elbow, 90 DEG
15	117-7685	1	Pump Idler ASM	35:1	1-603921	1	O-Ring
16	119-0174	1	Belt-V	36	3257-8	2	Key-Woodruff
17	119-8680	4	Fitting-Elbow, 90	37	85-7310	2	Nut-Motor, Wheel

● Not serviced separately

111 SEAL OVERHAUL KIT

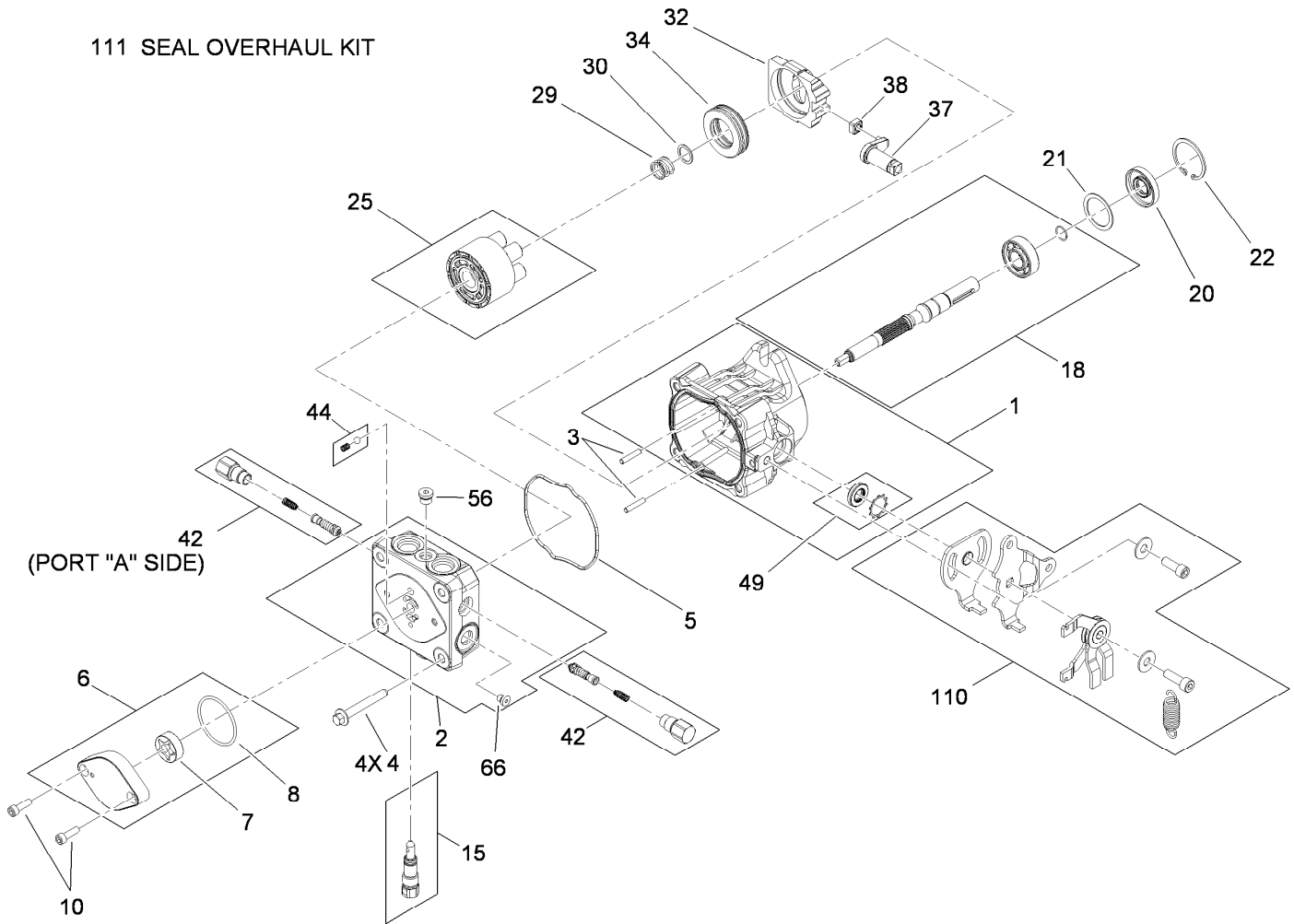


## Hydraulic Pump Assembly No. 119-0176

Ref.	Part Number	Qty.	Description	Ref.	Part Number	Qty.	Description
1	115-4464	1	Housing Kit	29	94-1936	1	Spring-Block
2	119-0184	1	End Cap STD Charge Kit	30	94-1937	1	Washer-Thrust
3	106-8753	2	Pin-Headless, Straight	32	94-1907	1	Swashplate-Variable
4	106-8754	4	Bolt-HF	34	94-6922	1	Bearing-Thrust
5	106-8755	1	O-Ring	37	115-4458	1	Arm-Trunnion, Tapered Square
6	106-8756	1	Charge Pump Kit	38	94-1910	1	Guide-Slot
7	104-2122	1	Gerotor ASM	42	98-3252	2	Valve-Check (W/Poppet)
8	106-8757	1	O-Ring	44	112-4164	1	Charge Relief Kit
10	104-2111	2	Capscrew	49	106-8761	1	Trunnion Seal / Retainer Kit
15	106-8759	1	Bypass Valve Kit	56	106-8762	1	Plug-HSH
18	103-2664	1	Input Shaft Kit	66	106-8763	1	Plug-HSH
20	104-5310	1	Seal-Lip	110	115-4459	1	Kit-Return
21	104-5308	1	Spacer	111	105-6184	1	Seal Overhaul Kit
22	104-5309	1	Ring-Retaining				
25	103-2666	1	Cylinder Block Kit				



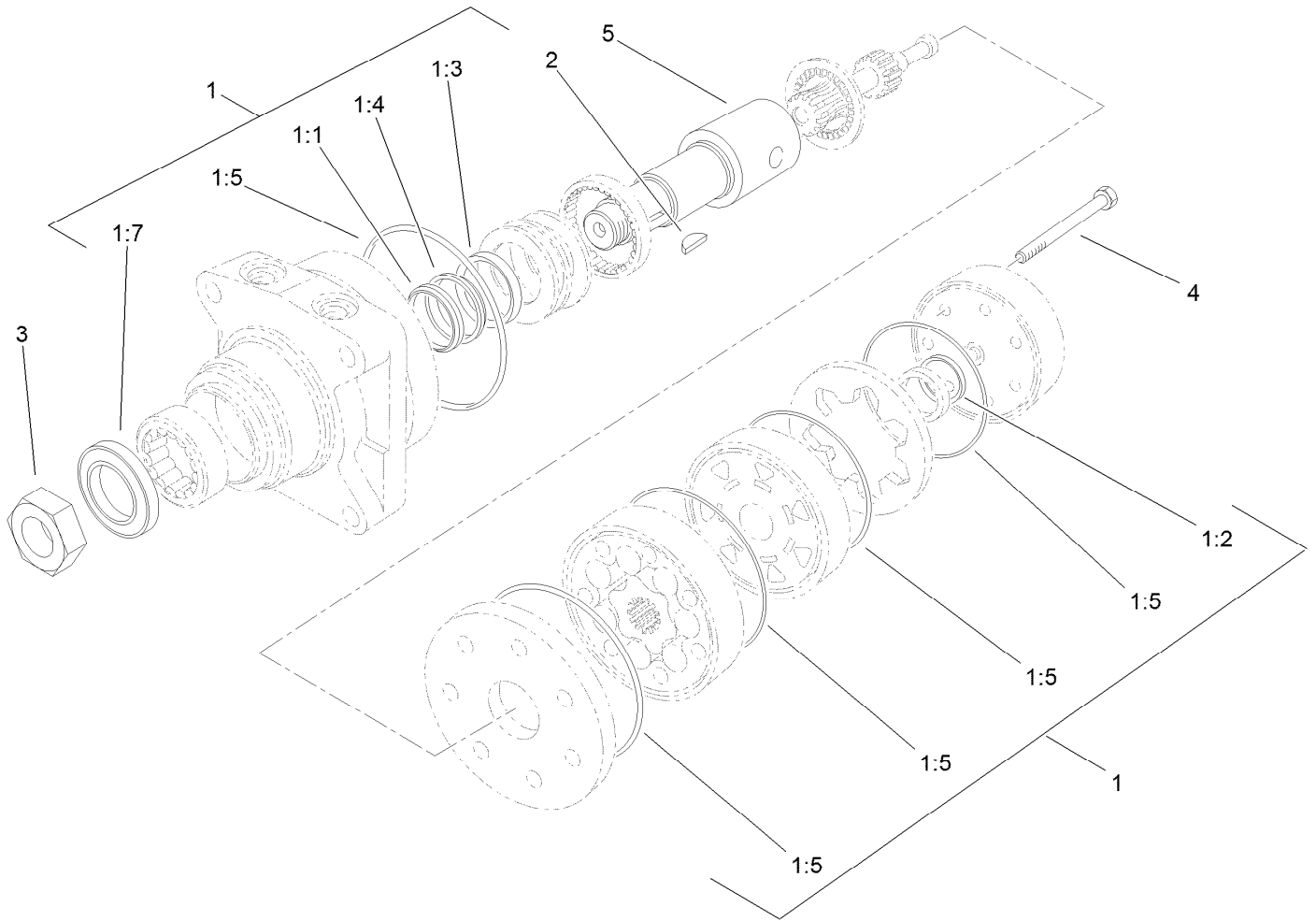
111 SEAL OVERHAUL KIT



## Hydraulic Pump Assembly No. 119-0177

Ref.	Part Number	Qty.	Description	Ref.	Part Number	Qty.	Description
1	115-4464	1	Housing Kit	29	94-1936	1	Spring-Block
2	119-0184	1	End Cap STD Charge Kit	30	94-1937	1	Washer-Thrust
3	106-8753	2	Pin-Headless, Straight	32	94-1907	1	Swashplate-Variable
4	106-8754	4	Bolt-HF	34	94-6922	1	Bearing-Thrust
5	106-8755	1	O-Ring	37	115-4458	1	Arm-Trunnion, Tapered Square
6	106-8756	1	Charge Pump Kit	38	94-1910	1	Guide-Slot
7	104-2122	1	Gerotor ASM	42	98-3252	2	Valve-Check (W/Poppet)
8	106-8757	1	O-Ring	44	112-4164	1	Charge Relief Kit
10	104-2111	2	Capscrew	49	106-8761	1	Trunnion Seal / Retainer Kit
15	106-8759	1	Bypass Valve Kit	56	106-8762	1	Plug-HSH
18	103-2664	1	Input Shaft Kit	66	106-8763	1	Plug-HSH
20	104-5310	1	Seal-Lip	110	115-4459	1	Kit-Return
21	104-5308	1	Spacer	111	105-6184	1	Seal Overhaul Kit
22	104-5309	1	Ring-Retaining				
25	103-2666	1	Cylinder Block Kit				

# Hydraulic Motor Assembly 104-1171

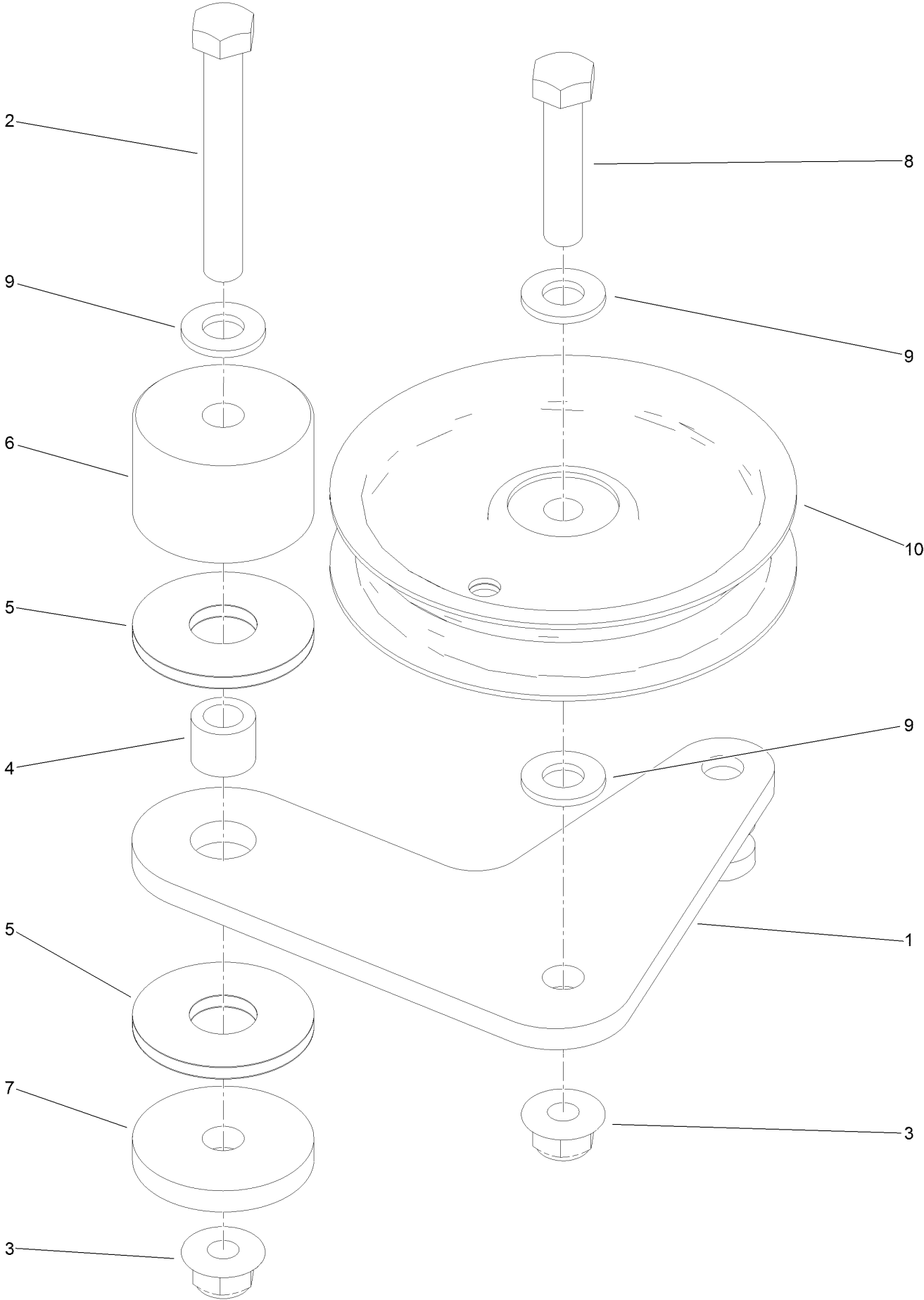


# Hydraulic Motor Assembly 104-1171 (continued)

<i>Ref.</i>	<i>Part Number</i>	<i>Qty.</i>	<i>Description</i>	<i>Ref.</i>	<i>Part Number</i>	<i>Qty.</i>	<i>Description</i>
1	1-000119	1	Seal Kit	1:7		1	Seal-Dirt And Water ●
1:1		1	Ring-Back Up ●	2	3257-8	1	Key-Woodruff
1:2		1	Seal-Commutator ●	3	85-7310	1	Nut-Motor, Wheel
1:3		1	Seal-Shaft (Viton) ●	4	106-5549	6	Bolt-Special
1:4		1	Washer-Back Up, Steel ●	5	106-8764	1	Shaft-Coupling
1:5		5	Ring-Seal (Viton) ●				

● Not serviced separately

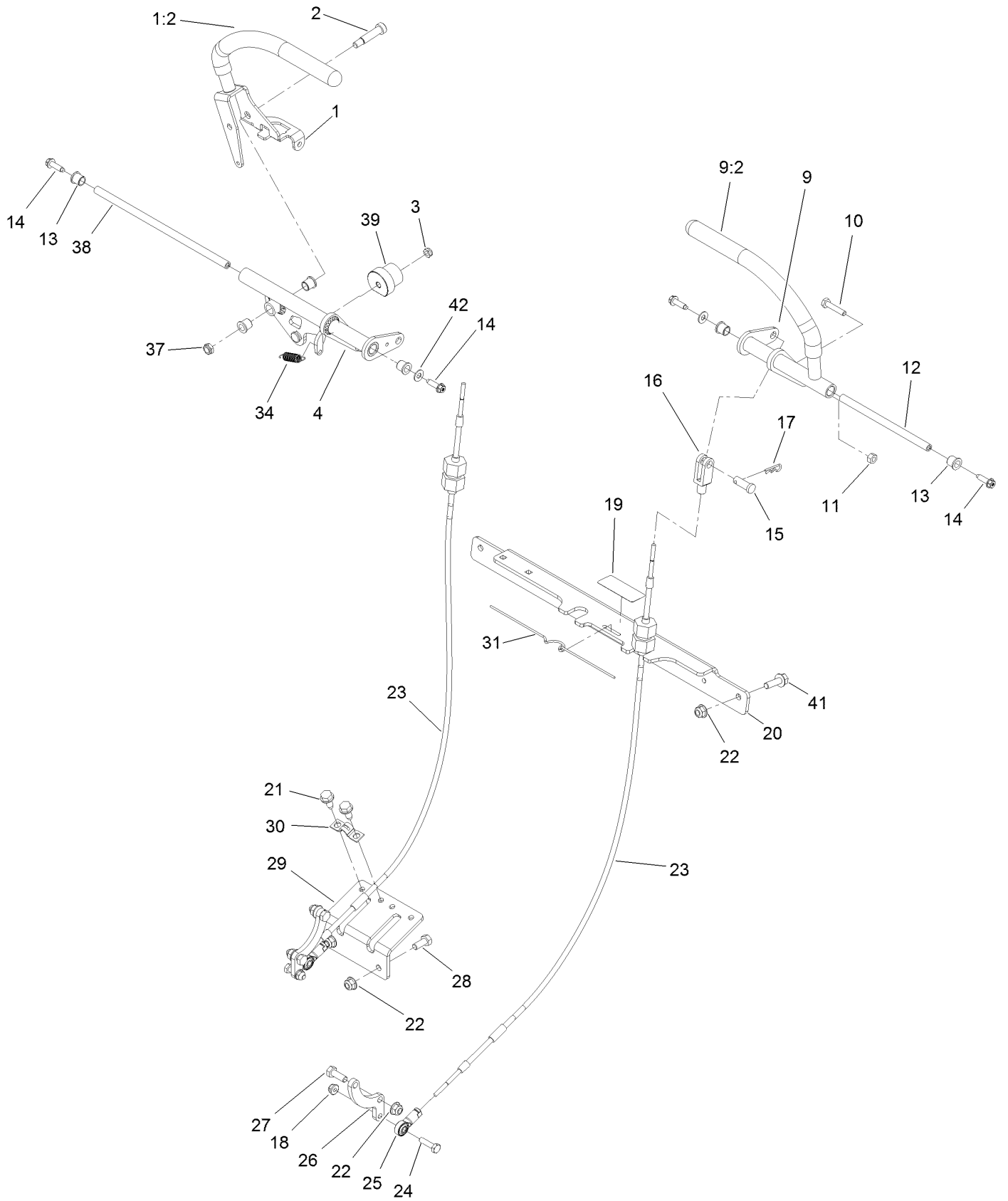
# Pump Idler Assembly No. 117-7685



## Pump Idler Assembly No. 117-7685 (continued)

<i>Ref.</i>	<i>Part Number</i>	<i>Qty.</i>	<i>Description</i>	<i>Ref.</i>	<i>Part Number</i>	<i>Qty.</i>	<i>Description</i>
1	117-7684	1	Plate-Idler	6	116-7599	1	Hub, Idler
2	323-13	1	Screw-HH	7	110-9981	1	Washer-Plain
3	104-8301	2	Nut-HF, NI	8	323-9	1	Screw-HH
4	1-413088	1	Bushing-Lever, Lift	9	3256-24	3	Washer-Flat
5	114-0463	2	Washer-Friction, Composite	10	93-1622	1	Pulley-Idler

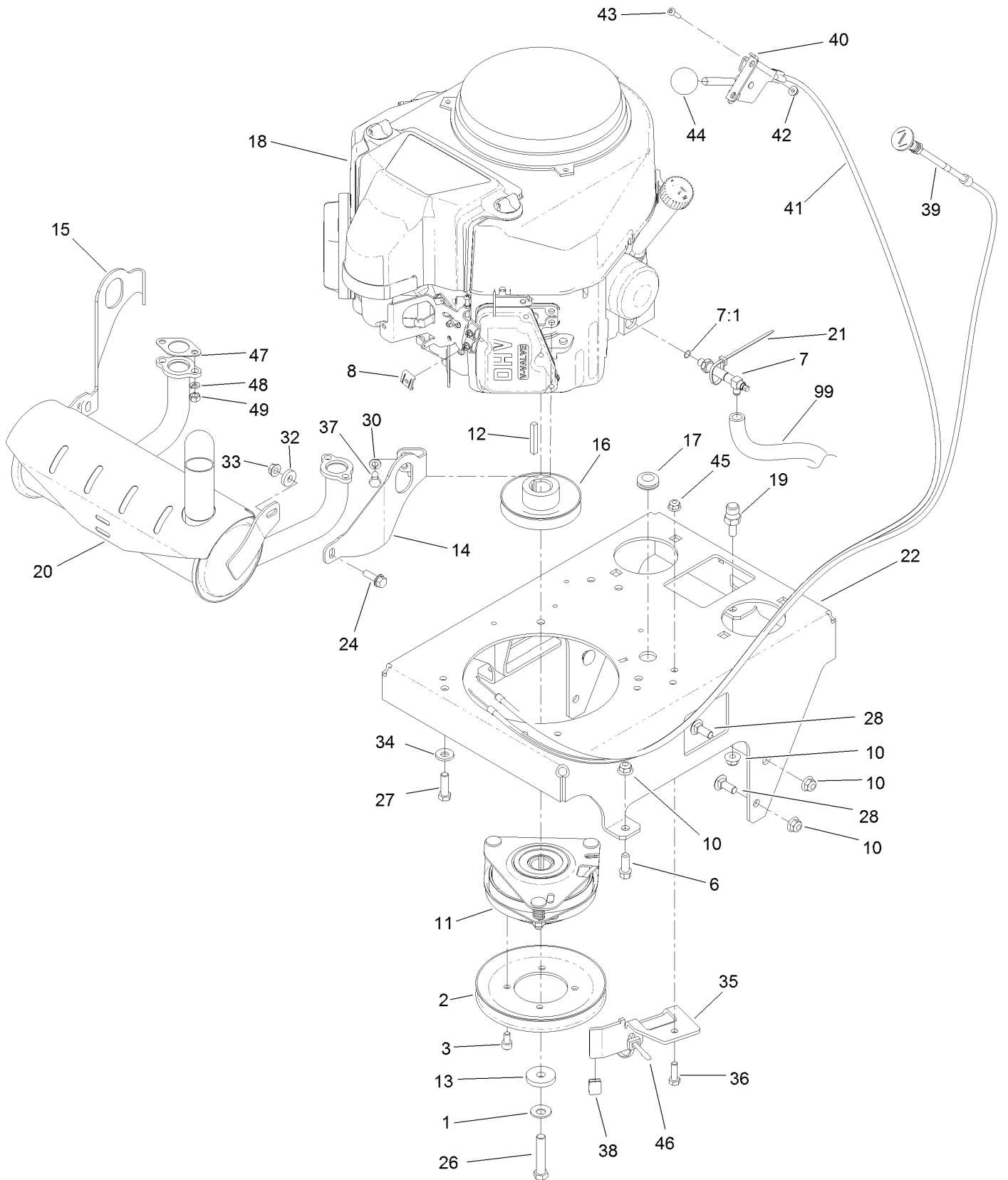
# Motion Control Assembly



## Motion Control Assembly (continued)

<i>Ref.</i>	<i>Part Number</i>	<i>Qty.</i>	<i>Description</i>	<i>Ref.</i>	<i>Part Number</i>	<i>Qty.</i>	<i>Description</i>
1	120-8393	1	RH Lever ASM	21	32144-70	4	Screw-HWHTF
1:2	119-0222	1	Grip	22	104-8300	8	Nut-HF, NI
2	114-0239	1	Screw-HSH	23	117-6225	2	Cable ASM
3	3296-56	1	Nut-Lock, NI	24	321-6	2	Screw-HH
4	131-7403	1	RH Motion Control ASM	25	117-6222	2	Rod End-Ball Joint
9	125-4671	1	LH Motion Control ASM	26	117-6204	2	Arm-Control, Pump
9:2	119-0222	1	Grip	27	322-4	4	Screw-HH
10	114-0282	2	Screw-HH	28	322-3	2	Screw-HH
11	3217-5	2	Nut-Hex	29	117-6238-01	1	Bracket-Clamp, Cable
12	119-1885	1	Shaft-Pivot, Motion Control	30	93-2279	2	Clamp-Cable
13	103-9928	6	Bearing	31	114-0433	1	Clip-Spring
14	80-0700	4	Screw-HH, Torx	34	114-0249	1	Spring-Extension
15	1-808284	2	Pin-Clevis	37	3296-47	1	Nut-Lock, NI
16	119-1869	2	Yoke-Female	38	119-1886	1	Shaft-Pivot
17	3290-307	2	Pin-Cotter	39	126-1499	1	Cam
18	104-7201	2	Nut-HF	41	3234-29	2	Screw-HHF
19	119-1854	1	Decal-Tracking, Hydro	42	3256-1	2	Washer-Flat
20	117-6239-01	1	Bracket-Cross				

# Engine Assembly





## Engine Assembly (continued)

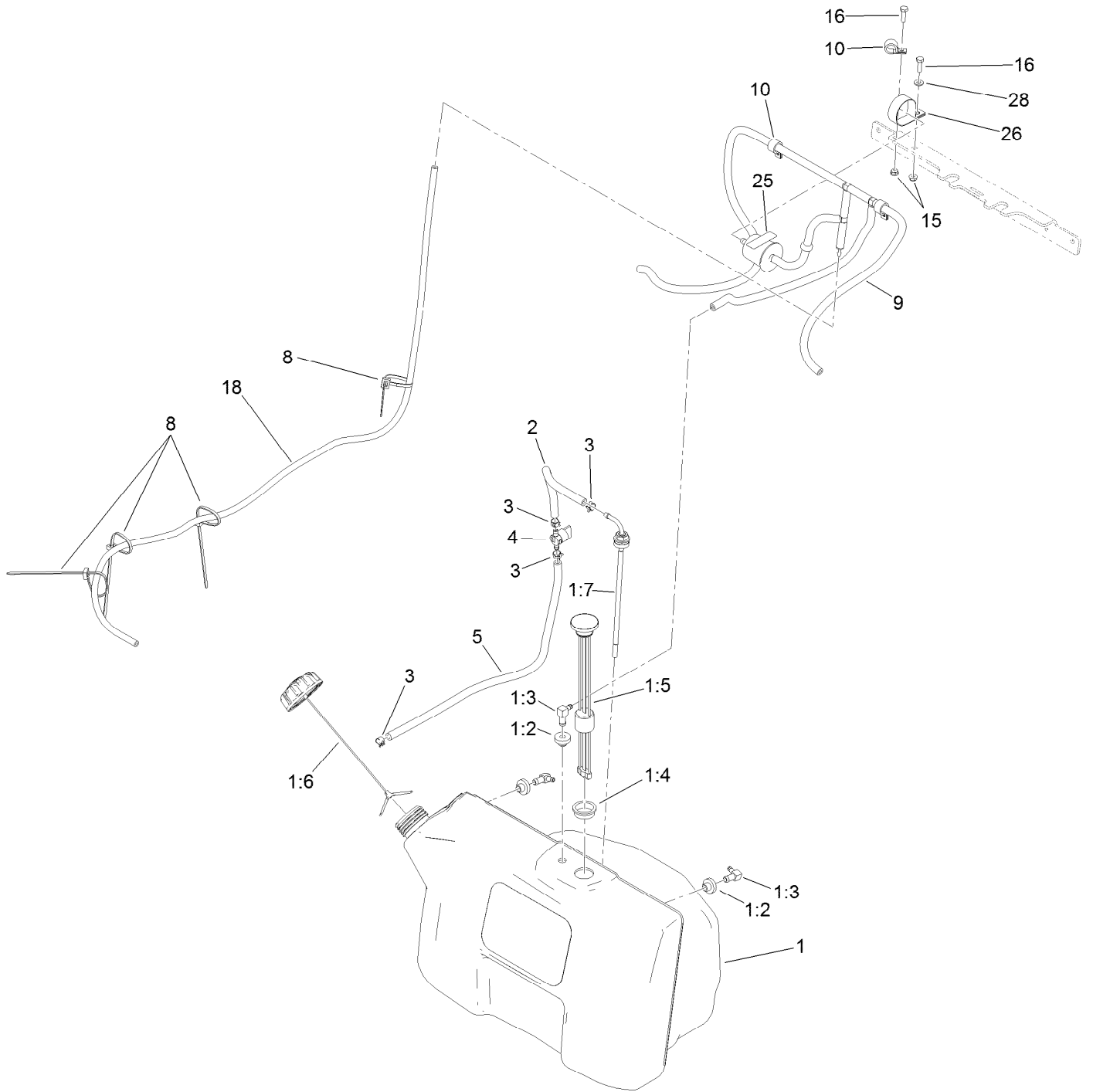
<i>Ref.</i>	<i>Part Number</i>	<i>Qty.</i>	<i>Description</i>	<i>Ref.</i>	<i>Part Number</i>	<i>Qty.</i>	<i>Description</i>
1	1-603610	1	Washer-Spring	24	3234-29	2	Screw-HHF
2	119-0215	1	Pulley	26	3212-9	1	Screw-HH
3	119-0221	4	Screw-HSH	27	323-7	4	Screw-HH
6	92-1624	2	Screw-HWH	28	3231-2	4	Bolt-CARR
7	116-6126	1	Valve-Drain Oil	30	3253-4	4	Washer-Lock
7:1	138-4636	1	O-Ring	32	104-7658	2	Spacer
8	81-1690	1	Clamp-Cable	33	32128-25	2	Nut-HF
10	104-8301	7	Nut-HF, NI	34	98-5975	3	Washer-Belleville
11	119-0220	1	Clutch/Brake ASM	35	121-5984-03	1	Bracket-Clutch Stop
12	608006	1	Key-Square	36	322-5	1	Screw-HH
13	107-4136	1	Washer	37	33114-016	4	Screw-HH
14	127-1901	1	Bracket-Muffler, LH	38	109-3765	1	Bumper
15	127-1902	1	Bracket-Muffler, RH	39	106-9962	1	Control-Choke, Push / Pull
16	112-7067	1	Pulley	40	110-5547	1	Lever-Control
17	112-7069	1	Grommet	41	119-1882	1	Cable-Control
18		1	Engine-Kawasaki, Fs541V	42	32128-17	2	Nut-Lock, Flange
			■ ▲	43	1-807533	2	Bolt-CARR
18:1	92-2153	1	Spark Plug ●	44	1-603175	1	Knob-Ball
18:2	119-5852	1	Filter-Oil ●	45	104-8300	1	Nut-HF, NI
18:3	120-2235	1	Filter-Fuel ●	46	3290-378	2	Tie-Cable
18:4	120-7447	1	Element-Filter, Air ●	47	1-653313	2	Gasket-Exhaust
19	132-4729	1	Anchor-Spring, Short	48	114-3550	4	Washer-Lock
20	131-1183	1	Muffler	49	114-3549	4	Nut
21	3290-378	1	Tie-Cable	99	103-1964	1	Hose-Drain, Oil
22	119-0155-01	1	Base-Engine				

● Not illustrated

▲ Obtain parts from [www.kawpowerepc.com](http://www.kawpowerepc.com)

■ Not serviced separately

# Fuel Tank Assembly

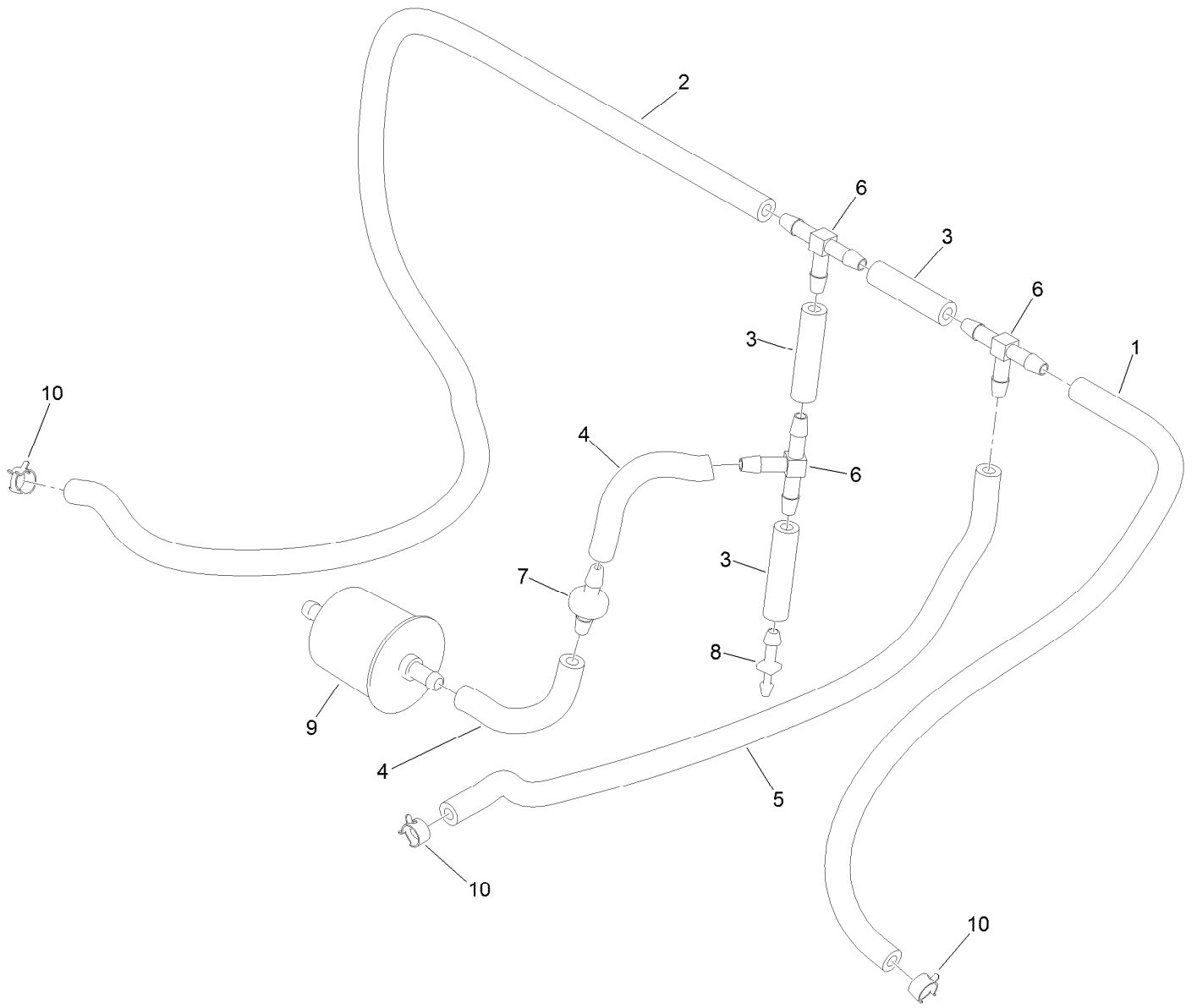


## Fuel Tank Assembly (continued)

<i>Ref.</i>	<i>Part Number</i>	<i>Qty.</i>	<i>Description</i>	<i>Ref.</i>	<i>Part Number</i>	<i>Qty.</i>	<i>Description</i>
1	119-7340	1	Tank ASM	5	109-0301	1	Hose-Fuel
1:2	46-6560	3	Bushing	8	3290-378	4	Tie-Cable
1:3	1-643172	3	Elbow-90 DEG	9		1	Vent Hose ASM ●
1:4	95-8972	1	Grommet	10	2412-87	3	Clamp-Cable
1:5	117-9719	1	Guage-Fuel	15	104-7201	2	Nut-HF
1:6	126-1789	1	Cap-Fuel, Ratcheting	16	321-5	2	Screw-HH
1:7	116-3408	1	Fitting-Fuel, Bulkhead	18	110-4102	1	Hose-Fuel
2	109-0297	1	Hose-Fuel	25	116-4769	1	Decal-Filter, Emissions
3	2412-98	4	Clamp-Hose	26	2412-96	1	Clamp-R
4	1-603770	1	Valve-Fuel	28	3256-22	1	Washer-Flat

● Not serviced separately

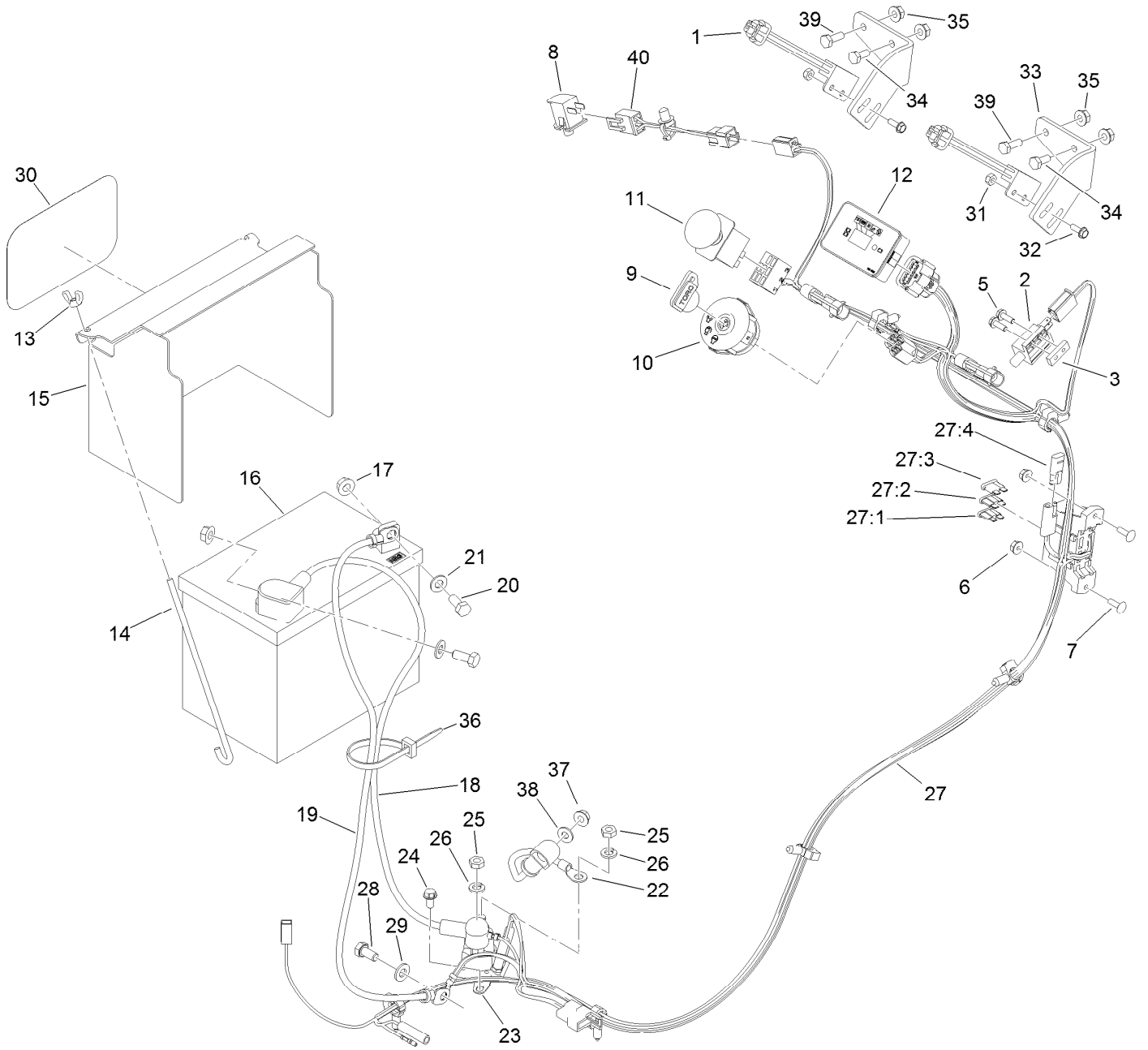
# Vent Hose Assembly



## Vent Hose Assembly (continued)

<i>Ref.</i>	<i>Part Number</i>	<i>Qty.</i>	<i>Description</i>	<i>Ref.</i>	<i>Part Number</i>	<i>Qty.</i>	<i>Description</i>
1	110-5701	1	Hose-Fuel	6	99-5005	3	Fitting-Tee, Barbed
2	110-5702	1	Hose-Fuel	7	99-5000	1	Valve-Check, Fuel
3	99-9415	3	Hose-Fuel	8	106-8150	1	Fitting-Straight
4	109-0650	2	Hose-Fuel	9	120-2235	1	Filter-Fuel
5	109-0296	1	Hose-Fuel	10	2412-98	3	Clamp-Hose

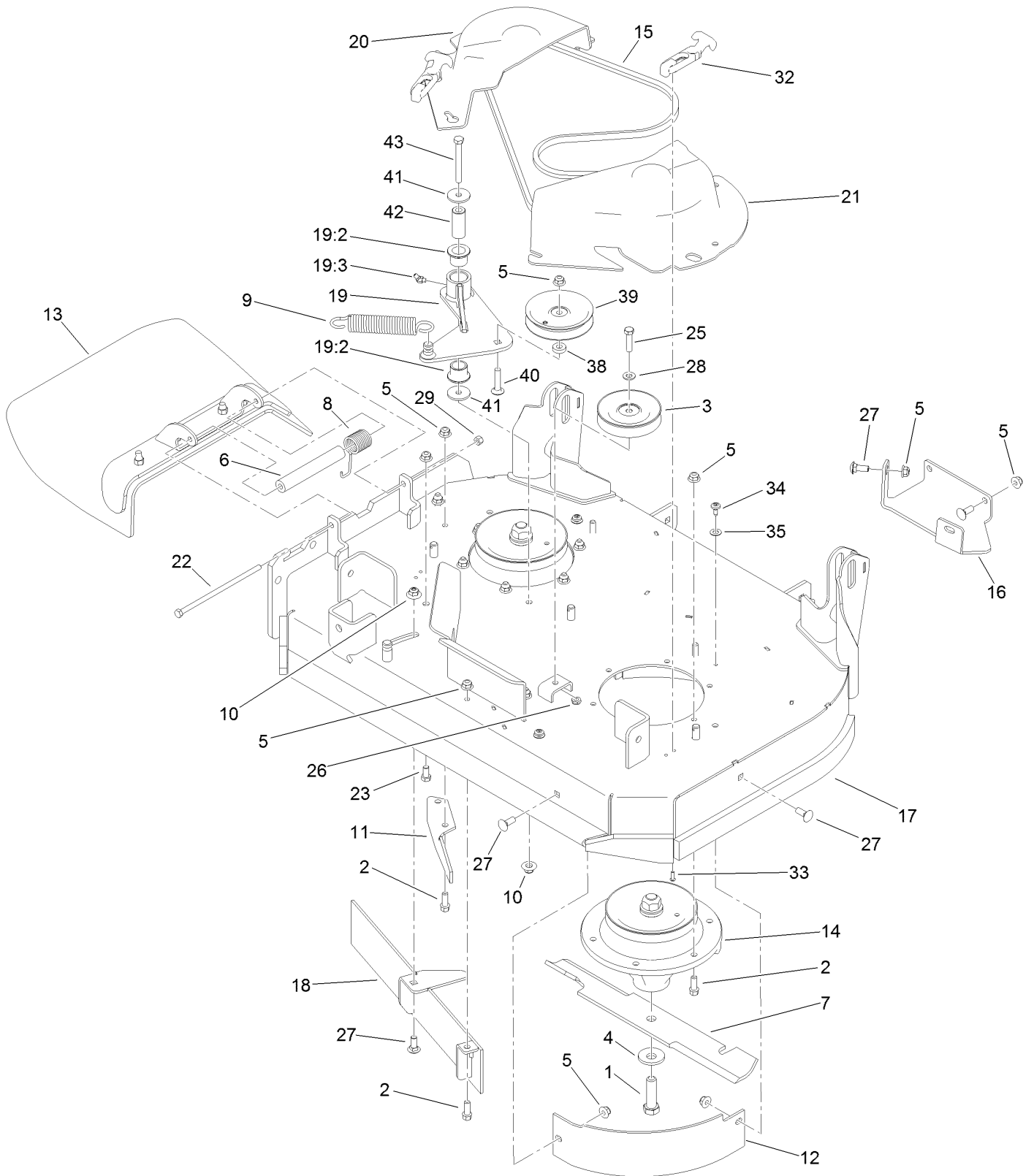
# Electrical Assembly



## Electrical Assembly (continued)

<i>Ref.</i>	<i>Part Number</i>	<i>Qty.</i>	<i>Description</i>	<i>Ref.</i>	<i>Part Number</i>	<i>Qty.</i>	<i>Description</i>
1	105-0023	2	Switch-Proximity	24	32144-4	2	Screw-HWH
2	1-513152	1	Switch-Closed, Normally	25	3220-2	2	Nut-Jam
3	1-633181	1	Plate-Tapped	26	3253-4	2	Washer-Lock
5	32105-2	2	Screw-SHWH	27	119-0181	1	Harness-Wire
6	32128-17	2	Nut-Lock, Flange	27:1	109103	1	Fuse-Blade, 30 Amp
7	1-807533	2	Bolt-CARR	27:2	109102	1	Fuse-Blade, 25 Amp
8	82-2190	1	Switch-Bail	27:3	218-578	1	Fuse-Blade, 10 Amp
9	63-8360	1	Key-Ignition	27:4	116-0053	1	Cap-Plug
10	117-2222	1	Switch-Ignition	28	33114-016	1	Screw-HH
11	114-0279	1	Switch-PTO, On-On	29	33094-00	1	Washer-Plain
12	117-3886	1	Module-Hour Meter	30	68-3640	1	Decal
13	1-543792	2	Wingnut	31	3296-2	4	Nut-Lock, NI
14	1-633651	2	Bolt-Holddown	32	32105-23	4	Screw
15	117-0543-01	1	Cover-Battery	33	119-8503-01	2	Bracket-Mount, Switch
16	104-8162	1	Battery-Dry	34	321-3	2	Screw-HH
17	109-5715	2	Nut-HHF, Smooth	35	32128-32	4	Nut-HHF
18	120-6442	1	Cable-Battery, Positive	36	3290-378	1	Tie-Cable
19	103-0705	1	Cable-Ground, Negative	37	32128-33	1	Nut-HF
20	322-3	2	Screw-HH	38	3256-22	1	Washer-Flat
21	3256-23	2	Washer-Plain	39	321-4	2	Screw-HH
22	106-8268	1	Cable-Battery, Red	40	130-1779	1	Harness-Wire, Jumper (OPC)
23	117-1197	1	Solenoid				

# Deck Assembly

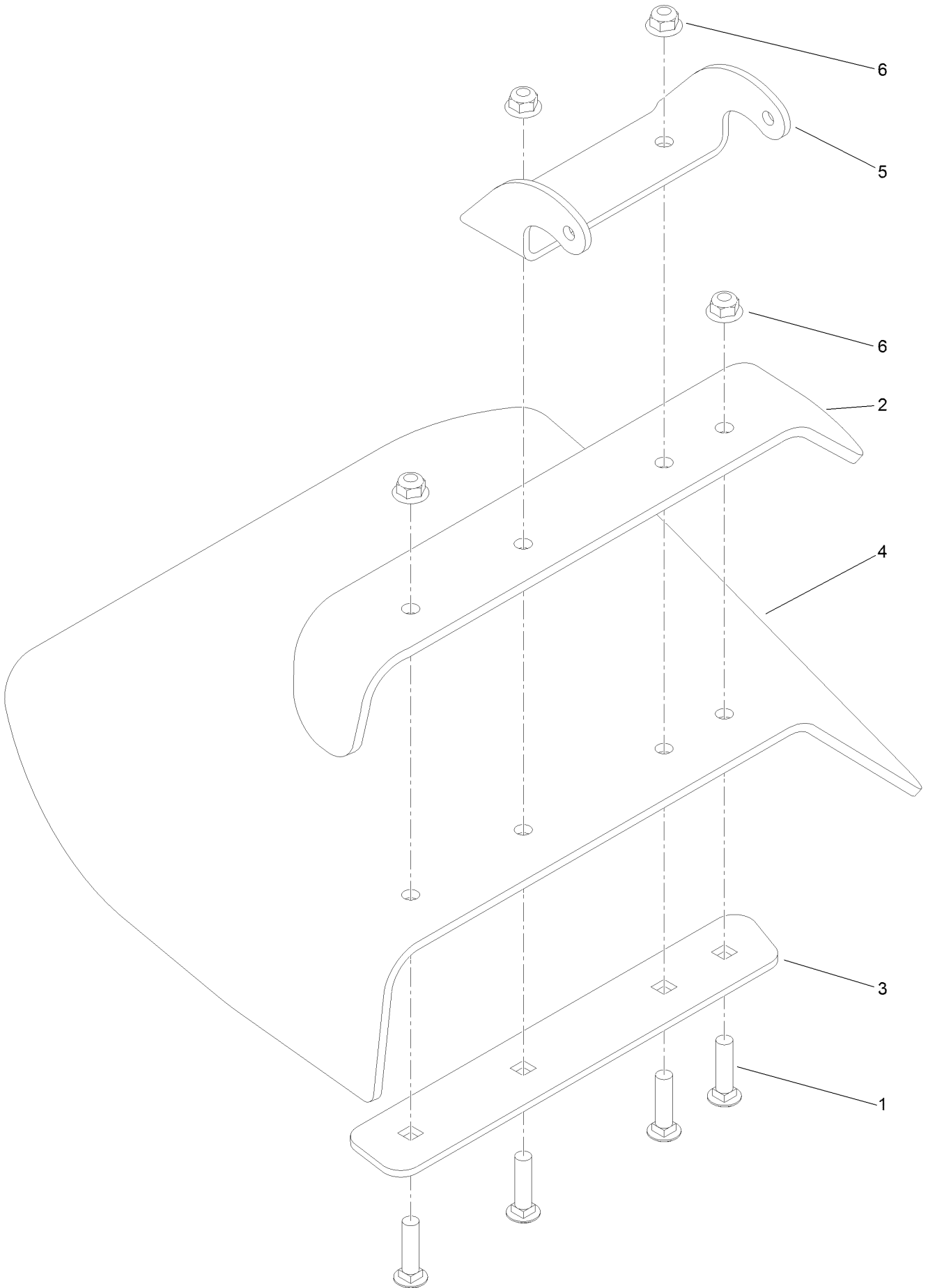




## Deck Assembly (continued)

<i>Ref.</i>	<i>Part Number</i>	<i>Qty.</i>	<i>Description</i>	<i>Ref.</i>	<i>Part Number</i>	<i>Qty.</i>	<i>Description</i>
1	51-4060	2	Screw-Blade	19:3	302-11	1	Fitting-Lube, 45 DEG
2	92-1624	15	Screw-HWH	20	119-1802	1	Cover-Belt, RH
3	92-7099	1	Pulley-Idler	21	119-1803	1	Cover-Belt, LH
4	103-0865	2	Washer-Blade Bolt, Heavy	22	322-50	1	Screw-HH
5	104-8301	25	Nut-HF, NI	23	323-4	2	Screw-HH
6	105-4622	1	Spacer	25	323-8	1	Screw-HH
7	105-7781-03	2	Blade-18In, Hi Flow	26	3296-59	1	Nut-Lock, NI
8	108-4052	1	Spring-Torsion	27	3231-2	7	Bolt-CARR
9	119-0394	1	Spring-Extension	28	3256-24	1	Washer-Flat
10	109-6658	2	Nut-Flange, NI	29	3296-29	1	Nut-Lock, NI
11	110-0754-01	1	Baffle-Discharge	32	103-4080	2	Latch-Rubber
12	110-6903-03	1	Baffle-Front, LH	33	3274-39	4	Screw-HSBH
13	119-2347	1	Deflector ASM	34	120-7950	4	Screw-Shoulder
14	117-7638	2	Spindle ASM	35	73-0041	4	Washer-Thrust
15	117-7641	1	Belt-V	38	5-0652	1	Spacer
16	117-7687-01	1	Plate-Skid	39	93-1622	1	Pulley-Idler
17	121-6015	1	Deck And Decal ASM	40	3231-5	1	Screw-CARR
18	119-0153-03	1	Front Baffle ASM	41	1-213069	2	Washer
19	119-0180	1	Idler Arm ASM	42	119-0208	1	Spacer-Plain
19:2	33-3090	2	Bushing	43	323-20	1	Screw-HH

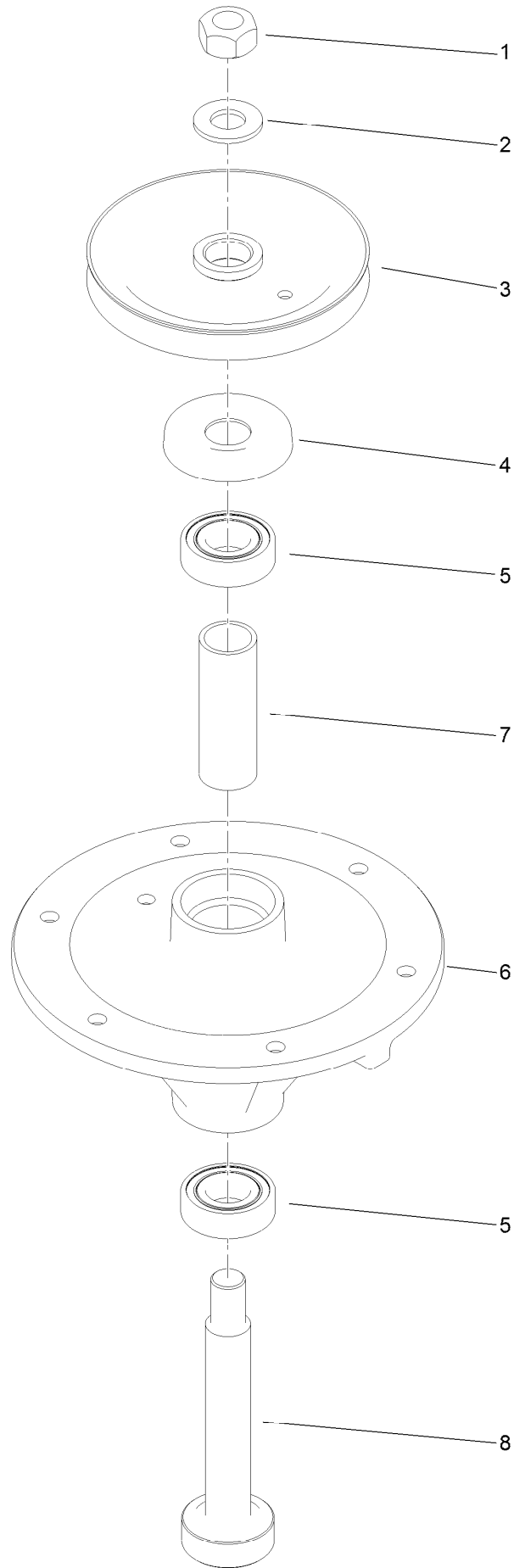
# Deflector Assembly No. 119-2347



## Deflector Assembly No. 119-2347 (continued)

<i>Ref.</i>	<i>Part Number</i>	<i>Qty.</i>	<i>Description</i>	<i>Ref.</i>	<i>Part Number</i>	<i>Qty.</i>	<i>Description</i>
1	3231-4	4	Screw-CARR	4	119-2346	1	Deflector-Rubber
2	110-0792-01	1	Deflector	5	110-9923-01	1	Bracket-Mounting, Deflector
3	110-0793-03	1	Strap-Discharge	6	104-8301	4	Nut-HF, NI

# Spindle Assembly No. 117-7638

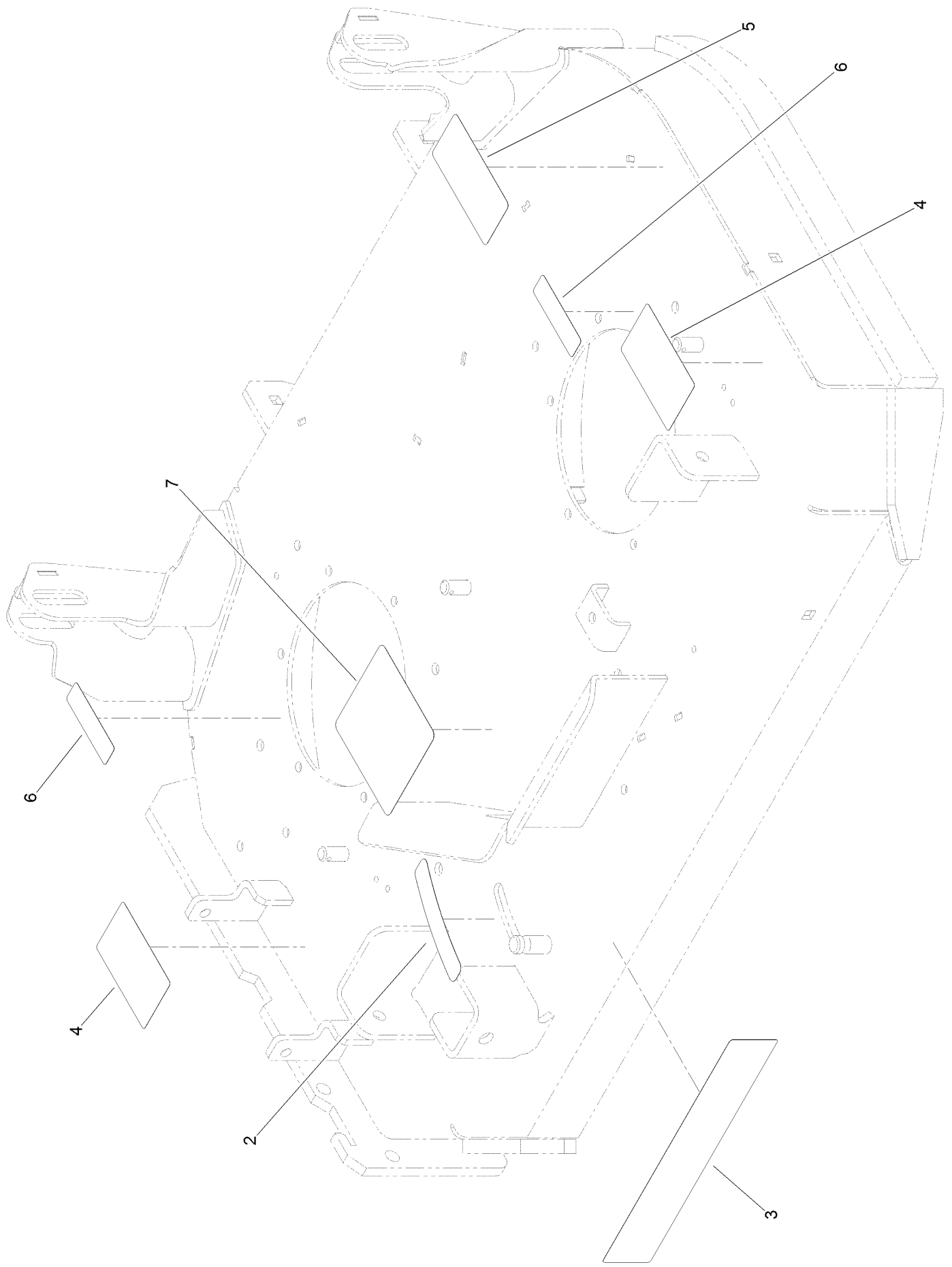


# Spindle Assembly No. 117-7638 (continued)

<i>Ref.</i>	<i>Part Number</i>	<i>Qty.</i>	<i>Description</i>
1	3219-7	1	Nut-Hex
2	7-4150	1	Washer
3	117-7614	1	Pulley
4	106-0873	1	Shield-Bearing

<i>Ref.</i>	<i>Part Number</i>	<i>Qty.</i>	<i>Description</i>
5	116-0720	2	Bearing-Ball
6	108-6696	1	Housing-Spindle
7	110-0727	1	Spacer-Bearing
8	110-0726	1	Shaft-Spindle

# Deck Decal Assembly No. 121-6015



## Deck Decal Assembly No. 121-6015 (continued)

<i>Ref.</i>	<i>Part Number</i>	<i>Qty.</i>	<i>Description</i>	<i>Ref.</i>	<i>Part Number</i>	<i>Qty.</i>	<i>Description</i>
2	110-2067	1	Decal-Setting, Baffle	5	93-7818	1	Decal-Torque, Blade Bolt
3	119-0197	1	Decal	6	119-0217	2	Decal-Danger
4	121-6049	2	Decal-Danger	7	119-0186	1	Decal-Routing, Belt

# Attachments and Accessories

## For 74534 GrandStand Mower With 36in TURBO FORCE Cutting Unit

<b>Product Name</b>	<b>Model/Part</b>
Blade-Hi Flow, 18in (6 Pack).....	108-1117
Blade-Atomic, 18in (6 Pack) .....	108-1118
Blade-Lo Flow, 18in (6 Pack) .....	110-0406
Blade-Recycler, 18in (6 Pack).....	110-0408
Blade-Med Flow, 18in (6 Pack) .....	110-0409
36in Recycler Kit.....	110-2080
Light Kit.....	114-3505
Hypr-Oil 500 (quart).....	114-4713
Hypr-Oil 500 (gallon).....	114-4714
Hypr-Oil 500-5 (5 gallon).....	114-4715
Weight Kit .....	117-3620
Striping Kit .....	117-8560
Operator-Controlled Discharge Chute Kit with Bag .....	117-8565
Oil Filter .....	119-5852
Filter-Fuel .....	120-2235
Element-Filter, Air .....	120-7447
Bagger Adaptor Kit .....	121-7515
Trash Bag Kit .....	121-7530
MVP Filter, Belt and Blade Kit.....	127-1646
Soft Bag (3 Bushel).....	30104
Spark Plug .....	92-2153
Spark Arrestor .....	98-9099



**Notes:**

**Notes:**

**Notes:**



**Count on it.**