



Count on it.

Parts Catalog

GrandStand® Mower

With 91cm TURBO FORCE® Cutting Unit

Model No. 74534TE—Serial No. 313000001 and Up



Ordering Replacement Parts

To order replacement parts, please supply the part number, the quantity, and the description of each part desired.

Understanding Reference Numbers

Each identified part in an illustration has a reference number. The reference number for a part also appears in the parts list, along with other information about the part.

This catalog uses two special reference number formats, one to indicate parts in a service assembly and another to indicate the quantity of a given part in an illustration.

Service Assembly Reference Numbers

Parts in service assemblies have reference numbers in the form a:b. The a represents the reference number of the entire service assembly and the b represents a sequential number unique to each part within the service assembly.

For example, a wheel assembly might be identified by reference number 6, the tire by 6:1, the valve by 6:2, and the wheel by 6:3. When you order the assembly identified by reference number 6, you receive all parts identified by reference numbers 6:1, 6:2, and 6:3. However, you may also order any part individually. Reference numbers of this type appear in illustration and in parts lists.

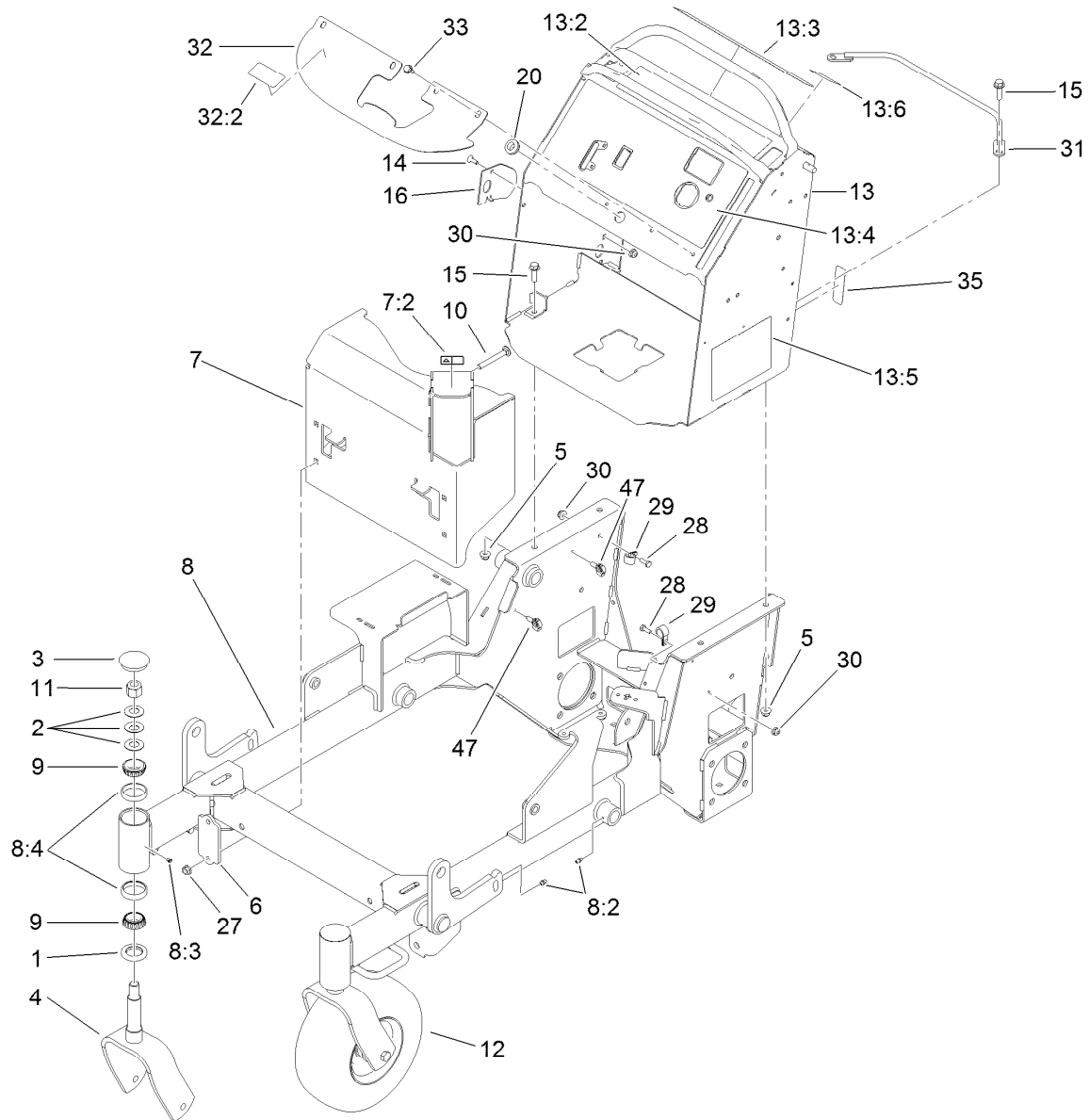
Reference Numbers Indicating Quantity

In an illustration, if a reference number indicates more than one part, the reference number has the form nX y. The n represents the quantity of the part, the X is the multiplication symbol, and the y represents the reference number.

For example, in an illustration, the reference number 2X 37 means that two of the parts identified by reference number 37 are indicated.

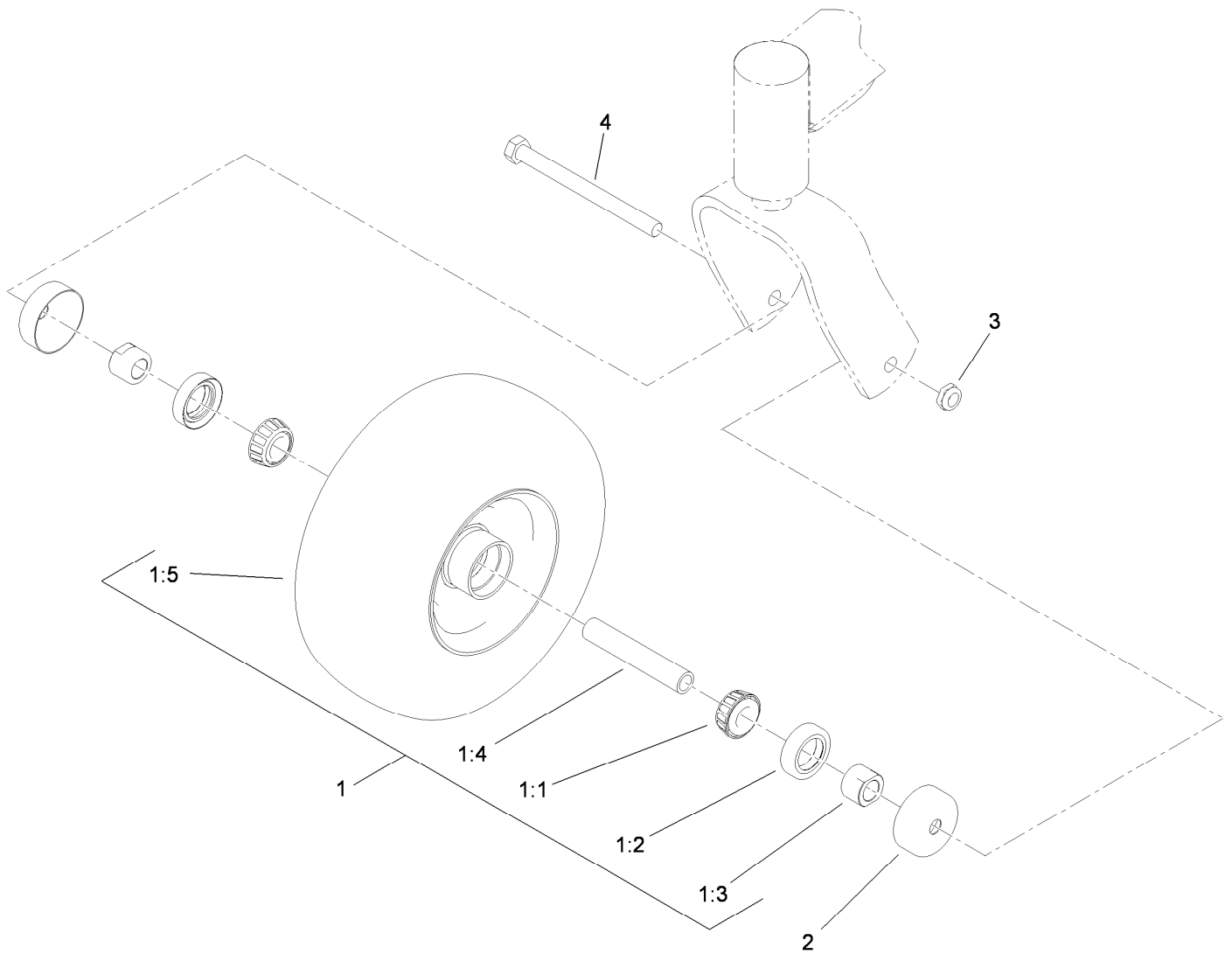
Contents

Main Frame Assembly	4
Wheel and Bearing Assembly No. 112-3810	5
Parking Brake Assembly	6
Height-of-Cut Plate Assembly	7
Deck Lift Assembly	8
Deck Lift Spring Assembly No. 119-2337	10
Cushion and Platform Assembly	11
Cushion Assembly No. 117-9770	12
Platform Assembly No. 117-7675	13
Traction Drive Assembly	14
Hydraulic Motor Assembly 104-1171	16
Hydraulic Pump Assembly No. 119-0176	17
Hydraulic Pump Assembly No. 119-0177	18
Pump Idler Assembly No. 117-7685	19
Motion Control Assembly	20
Engine Assembly	21
Fuel Tank Assembly	23
Vent Hose Assembly	24
Electrical Assembly	25
Deck Assembly	26
Deflector Assembly No. 119-2347	28
Spindle Assembly No. 117-7638	29
Deck Decal Assembly No. 121-6015	30
Attachments and Accessories	31



Main Frame Assembly

<i>Ref.</i>	<i>Part Number</i>	<i>Qty.</i>	<i>Description</i>	<i>Ref.</i>	<i>Part Number</i>	<i>Qty.</i>	<i>Description</i>
1	1-543511	2	Seal-Grease	13:3	117-3626	1	Decal-Warning
2	1-633508	6	Washer-Bellville	13:4	125-4679	1	Decal-Panel, Control
3	103-4882	2	Cap-Grease	13:5	119-0241	1	Decal-Service Aid
4	103-8618-01	2	Fork-Caster	13:6	120-6447	1	Decal-Stability, CE
5	104-8301	4	Nut-HF, NI	14	1-807512	1	Bolt-CARR
6	119-7303-01	2	Bracket-Mounting, Guard	15	119-4061	4	Screw-HHF
7	116-8739	1	Muffler Guard ASM	16	119-7312	1	Plate-Striker
7:2	106-5517	1	Decal-Warning	20	112-7069	1	Grommet
8	125-4650	1	Frame ASM	27	32128-21	4	Nut-HF
8:2	302-5	7	Fitting-Grease	28	321-4	2	Screw-HH
8:3	1-811010	2	Plug	29	2412-87	2	Clamp-Cable
8:4	1-543508	4	Cup-Bearing	30	104-7201	3	Nut-HF
9	1-543509	4	Bearing-Roller, Tapered	31	119-1878-03	1	Retainer-Cable
10	3231-10	4	Screw-CARR	32	119-0239	1	Cover-Tank
11	3296-51	2	Nut-Lock, NI	32:2	116-3290	1	Decal-Fill, Fuel
12	112-3810	2	Wheel/Tire And Bearing ASM	33	32144-70	4	Screw-HWHTF
13	125-4676	1	Control Tower ASM	35	116-3267	1	Decal-Fuse
13:2	117-0454	1	Decal-OPC	47	32180-040	2	Clip-Harness

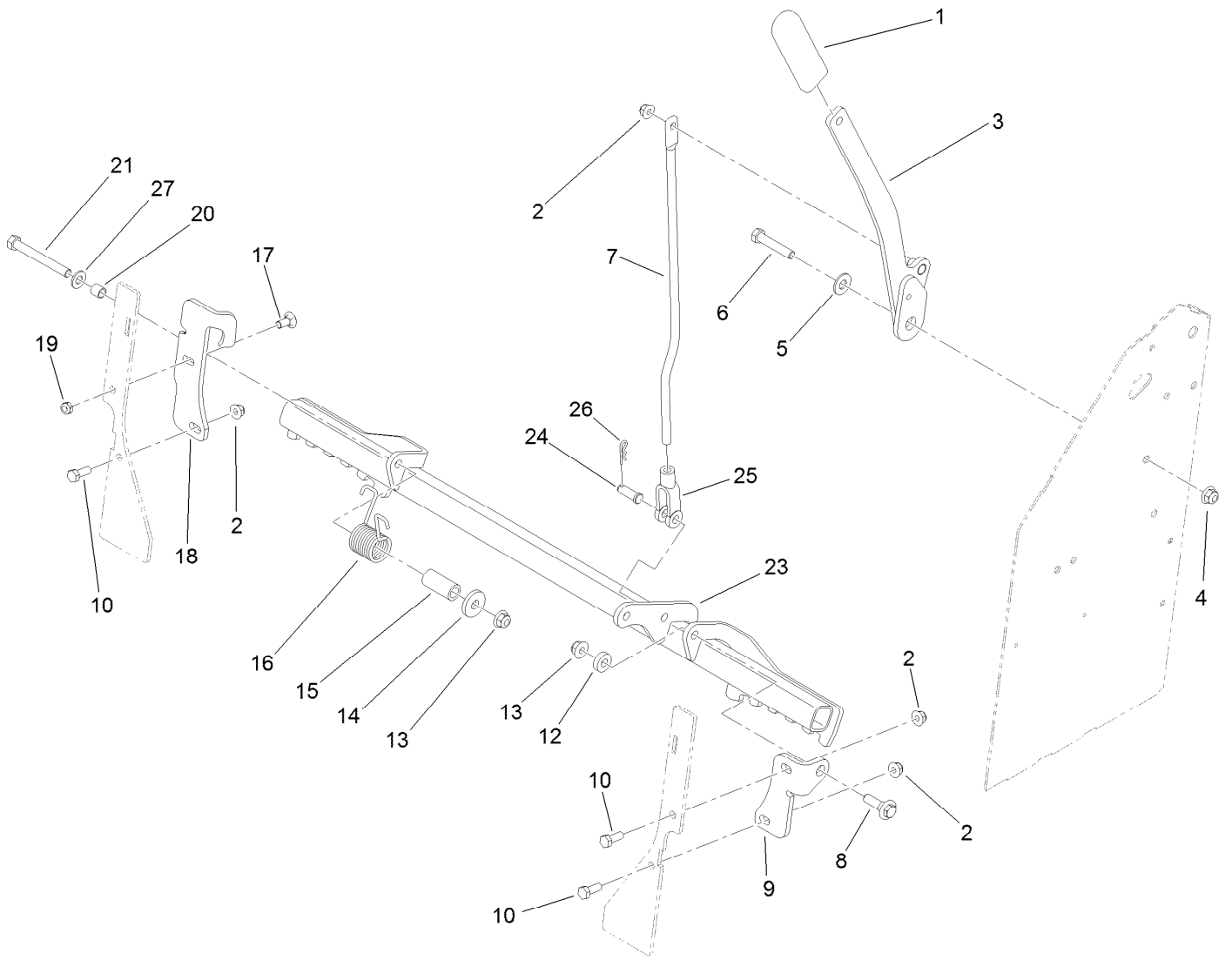


Wheel and Bearing Assembly No. 112-3810

Ref.	Part Number	Qty.	Description
1		1	Wheel And Bearing ASM ●
1:1	1-633585	2	Bearing-Cone, Taper
1:2	103-0063	2	Seal-Caster
1:3	103-3051	2	Spacer-Nut ■
1:4	103-3157	1	Axle-Caster
1:5	110-9965	1	Wheel And Tire ASM
2	103-2768	2	Guard-Seal
3	3296-45	1	Nut-Hex
4	325-20	1	Screw-HH

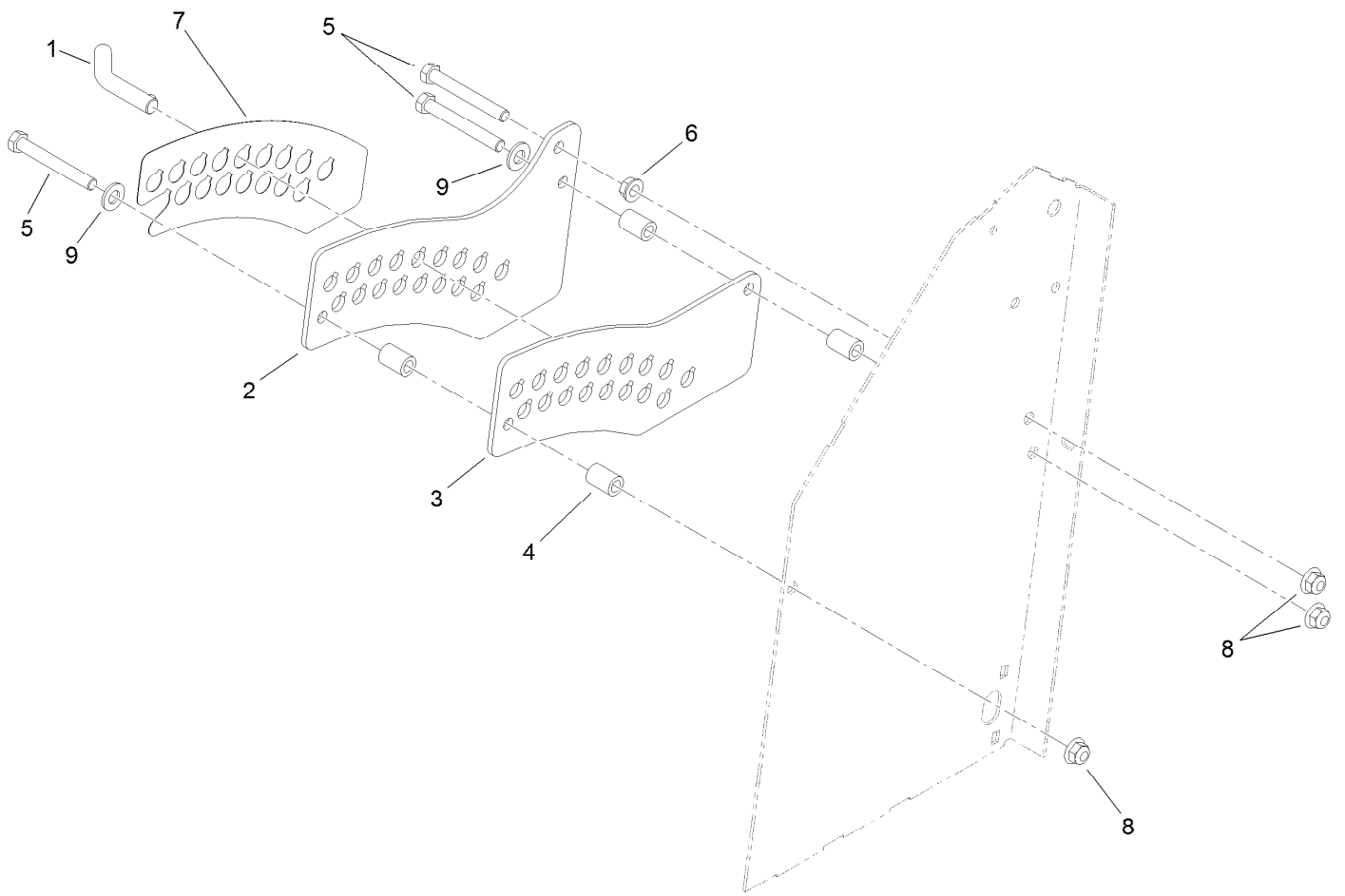
● Not serviced separately

■ Use Pro-Lock, Nut Type (P/N 1-840022, .5ml tube) on spacer nut



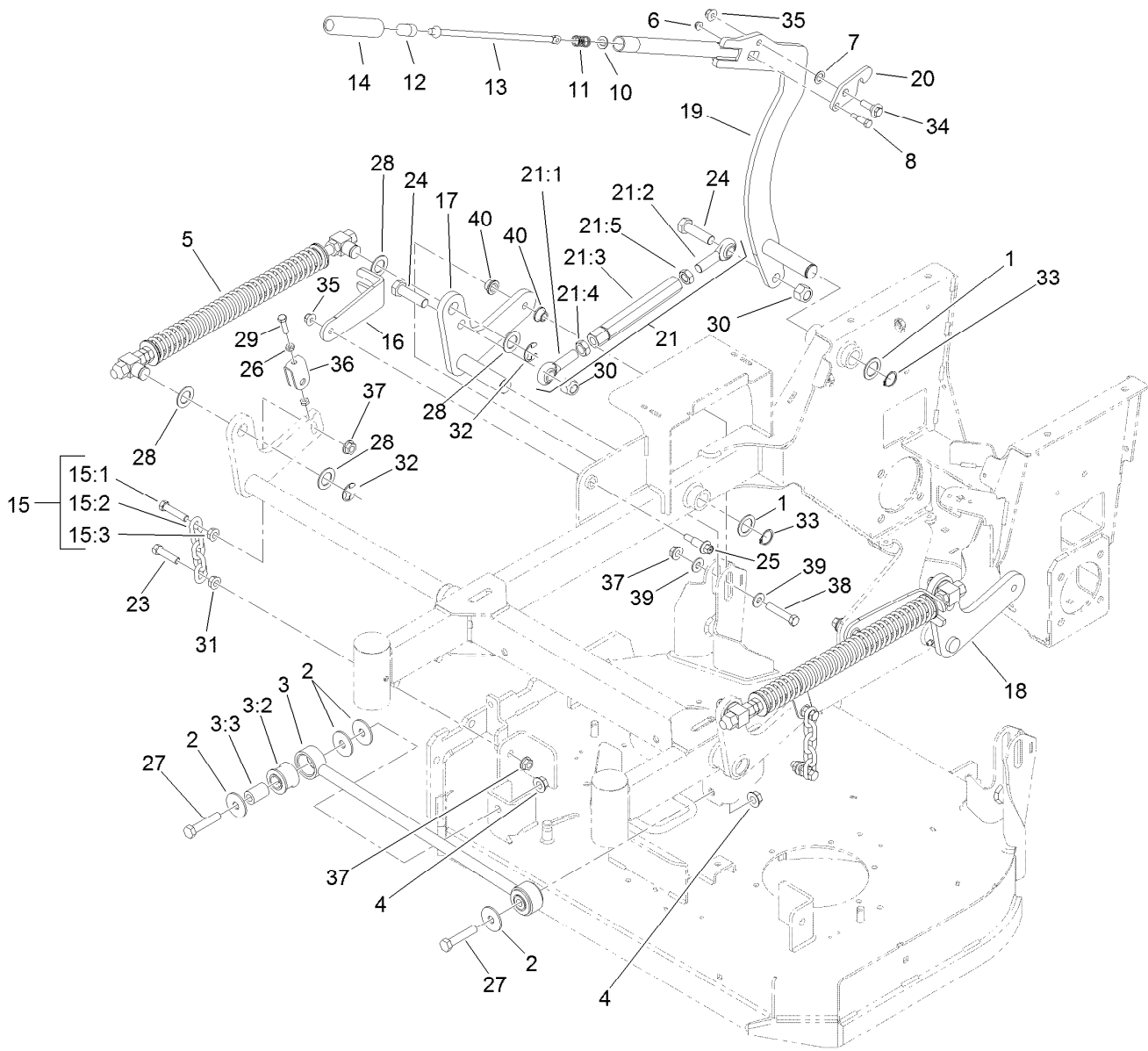
Parking Brake Assembly

<i>Ref.</i>	<i>Part Number</i>	<i>Qty.</i>	<i>Description</i>	<i>Ref.</i>	<i>Part Number</i>	<i>Qty.</i>	<i>Description</i>
1	1-633268	1	Grip-Lever	15	117-9683	1	Spacer
2	104-8300	4	Nut-HF, NI	16	108-4052	1	Spring-Torsion
3	119-1861-01	1	Handle-Brake	17	3230-1	1	Bolt-CARR
4	104-8301	1	Nut-HF, NI	18	125-4667-01	1	Bracket-Brake Mount, RH
5	3256-4	1	Washer-Flat	19	3296-47	1	Nut-Lock, NI
6	323-10	1	Screw-HH	20	117-9684	1	Spacer
7	117-6199	1	Rod-Link, Brake	21	323-20	1	Screw-HH
8	614672	1	Screw-Shoulder, HWH	23	116-4600-03	1	Bar-Brake
9	119-1860-01	1	Bracket-Brake Mount, LH	24	283-2	1	Pin-Clevis
10	322-4	3	Screw-HH	25	1-633131	1	Yoke-Linkage, Brake
12	5-0652	1	Spacer	26	3290-307	1	Pin-Cotter
13	104-8301	2	Nut-HF, NI	27	3256-24	1	Washer-Flat
14	1-373034	1	Washer				



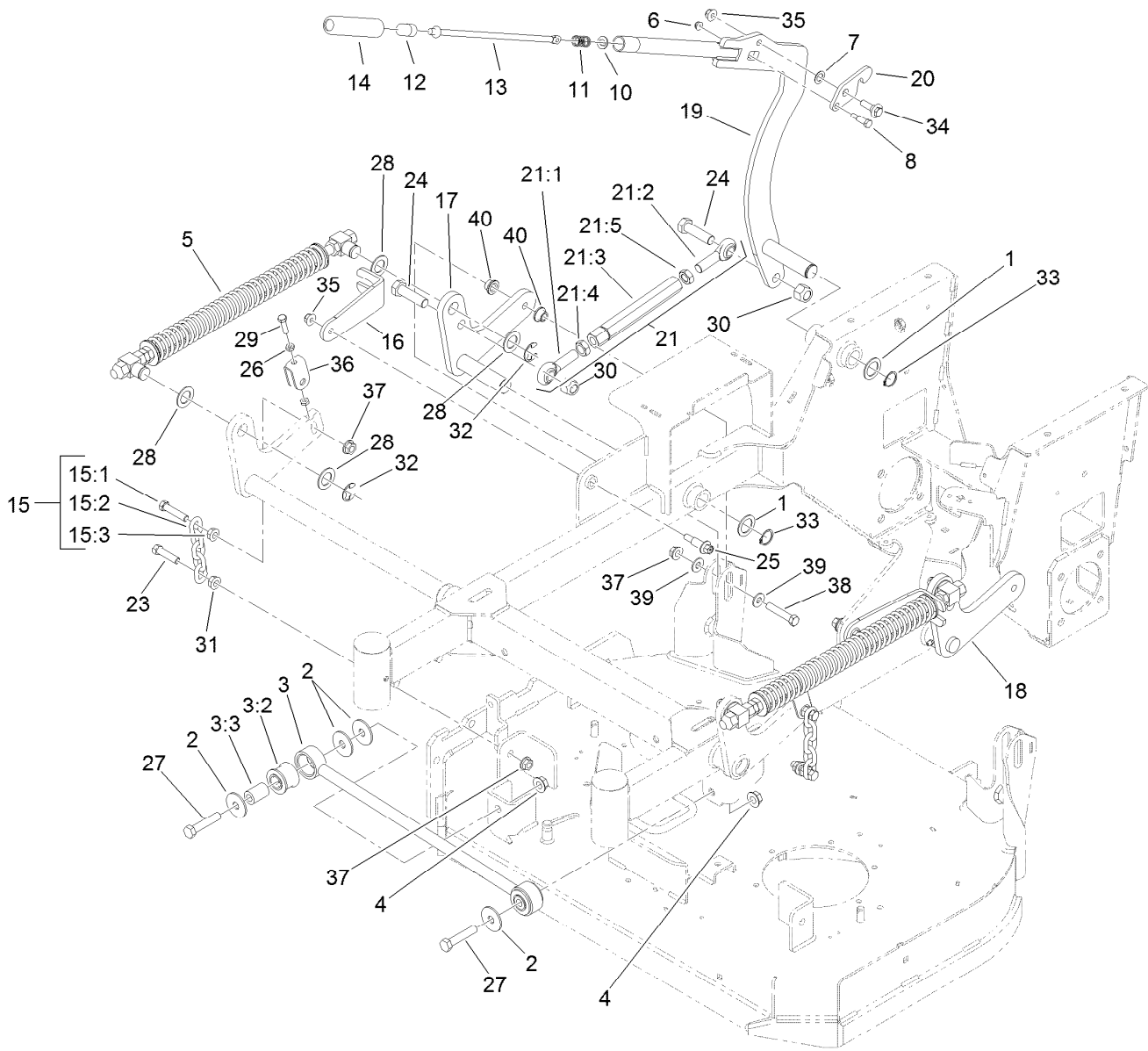
Height-of-Cut Plate Assembly

<i>Ref.</i>	<i>Part Number</i>	<i>Qty.</i>	<i>Description</i>
1	116-5584	1	Pin-HOC
2	117-5286-01	1	Plate-HOC, Outside
3	117-5287-01	1	Plate-HOC, Inside
4	114-2754	4	Spacer
5	323-14	3	Screw-HH
6	3290-357	1	Nut-HHF, Whiz
7	119-2317	1	Decal-HOC
8	104-8301	3	Nut-HF, NI
9	3256-24	2	Washer-Flat



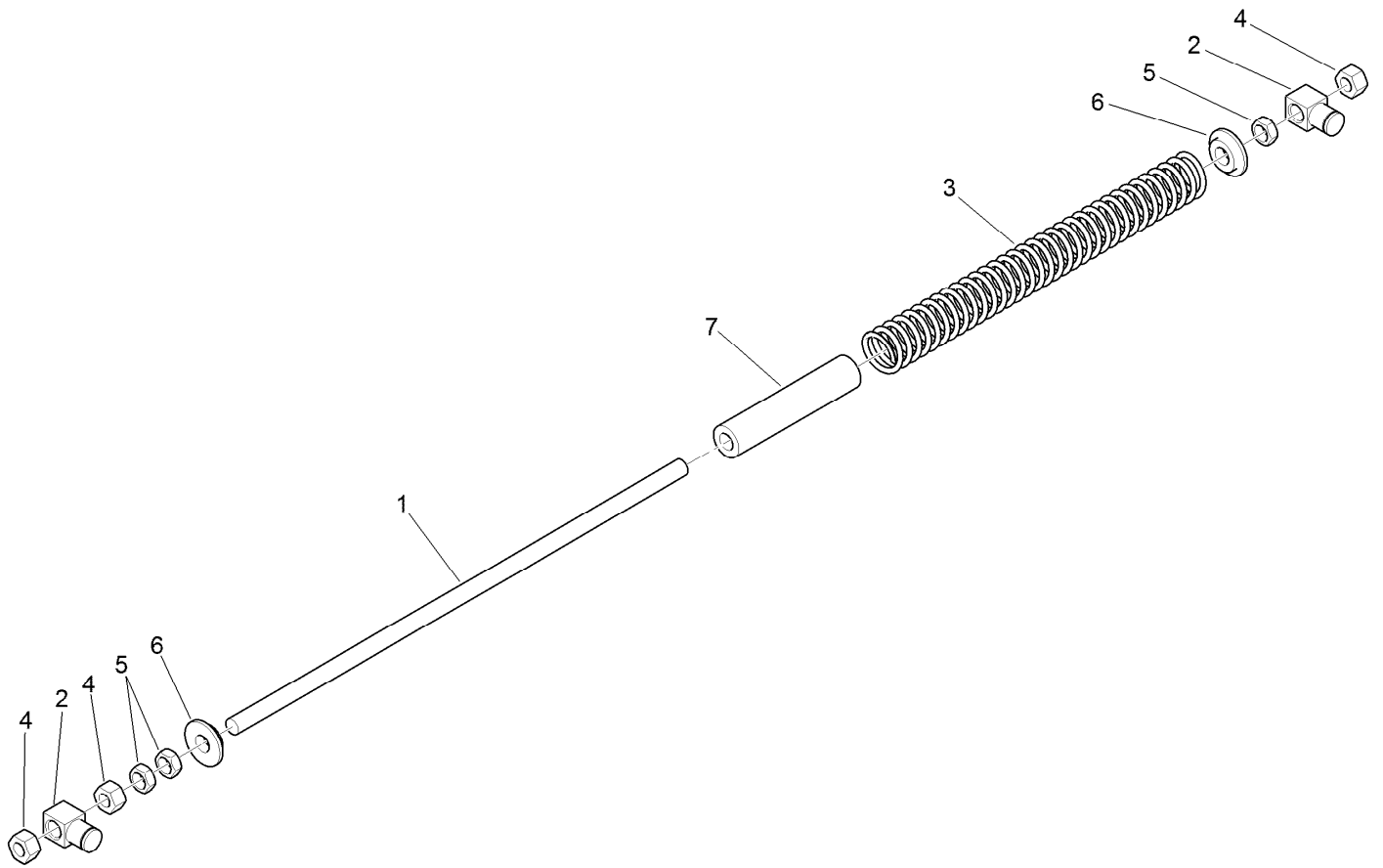
Deck Lift Assembly

Ref.	Part Number	Qty.	Description	Ref.	Part Number	Qty.	Description
1	1-523157	3	Washer-Spacer	17	121-6014-01	1	Arm-Lift, RH
2	86-1990	4	Washer-Thrust	18	121-6013-01	1	Arm-Lift, LH
3	109-5013	1	Panhard Rod ASM	19	117-5290-01	1	Arm-Lift, HOC
3:2	109-5009	2	Bushing-Suspension, Rubber	20	117-5292	1	Latch-HOC
3:3	109-5010	2	Spacer	21	119-0383	1	Deck Lift Link ASM
4	32128-23	2	Nut-HF	21:1	1-633029	1	Balljoint-Spherical
5	119-2337	2	Deck Lift Spring ASM	21:2	117-5291	1	Balljoint-Spherical
6	104-7201	1	Nut-HF	21:3	119-0382	1	Link-Lift, Deck
7	98-1629	1	Washer	21:4	3220-6	1	Nut-Jam
8	119-2309	1	Bolt-Shoulder	21:5	117-5293	1	Nut-Jam
10	114-1207	1	Washer-Special	23	324-7	2	Screw-HH
11	114-8187	1	Spring-Compression	24	327-22	2	Screw-HH
12	115-2750	1	Knob	25	62-1330	2	Bolt-Shoulder
13	119-2331	1	Rod-Latch	26	3218-2	4	Nut-Jam
14	115-3592	1	Grip	27	325-10	2	Screw-HH
15	116-0756	2	Deck Lift Chain ASM	28	119-2332	8	Washer-Flat
15:1	1-633447	1	Chain-Lift, Deck	29	119-3626	2	Screw-HH
15:2	109-9065	1	Screw-HH	30	3296-53	2	Nut-Lock, NI
15:3	32128-37	1	Nut-HF	31	32128-37	2	Nut-HF
16	119-2302-01	2	Bracket-Fork	32	32151-103	4	Ring-Retaining, EXT
				33	32151-29	3	Ring-Retaining



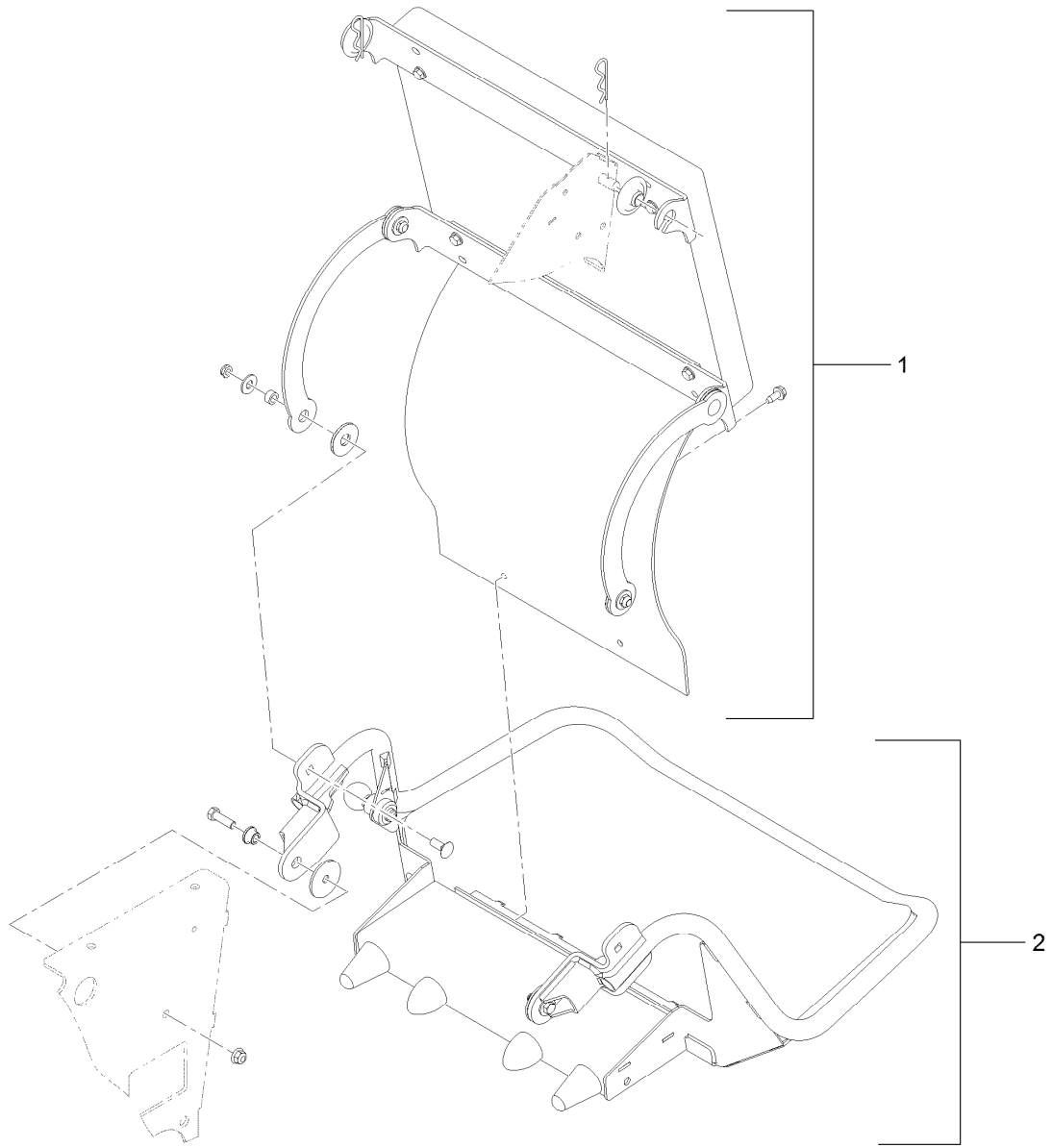
Deck Lift Assembly (continued)

<i>Ref.</i>	<i>Part Number</i>	<i>Qty.</i>	<i>Description</i>	<i>Ref.</i>	<i>Part Number</i>	<i>Qty.</i>	<i>Description</i>
34	614672	1	Screw-Shoulder, HWH	38	324-9	2	Screw-HH
35	104-8301	3	Nut-HF, NI	39	3256-4	4	Washer-Flat
36	109-9066	2	Yoke-Adjust, Deck	40	116-2428	4	Bushing-Flanged
37	32128-42	6	Nut-HF				



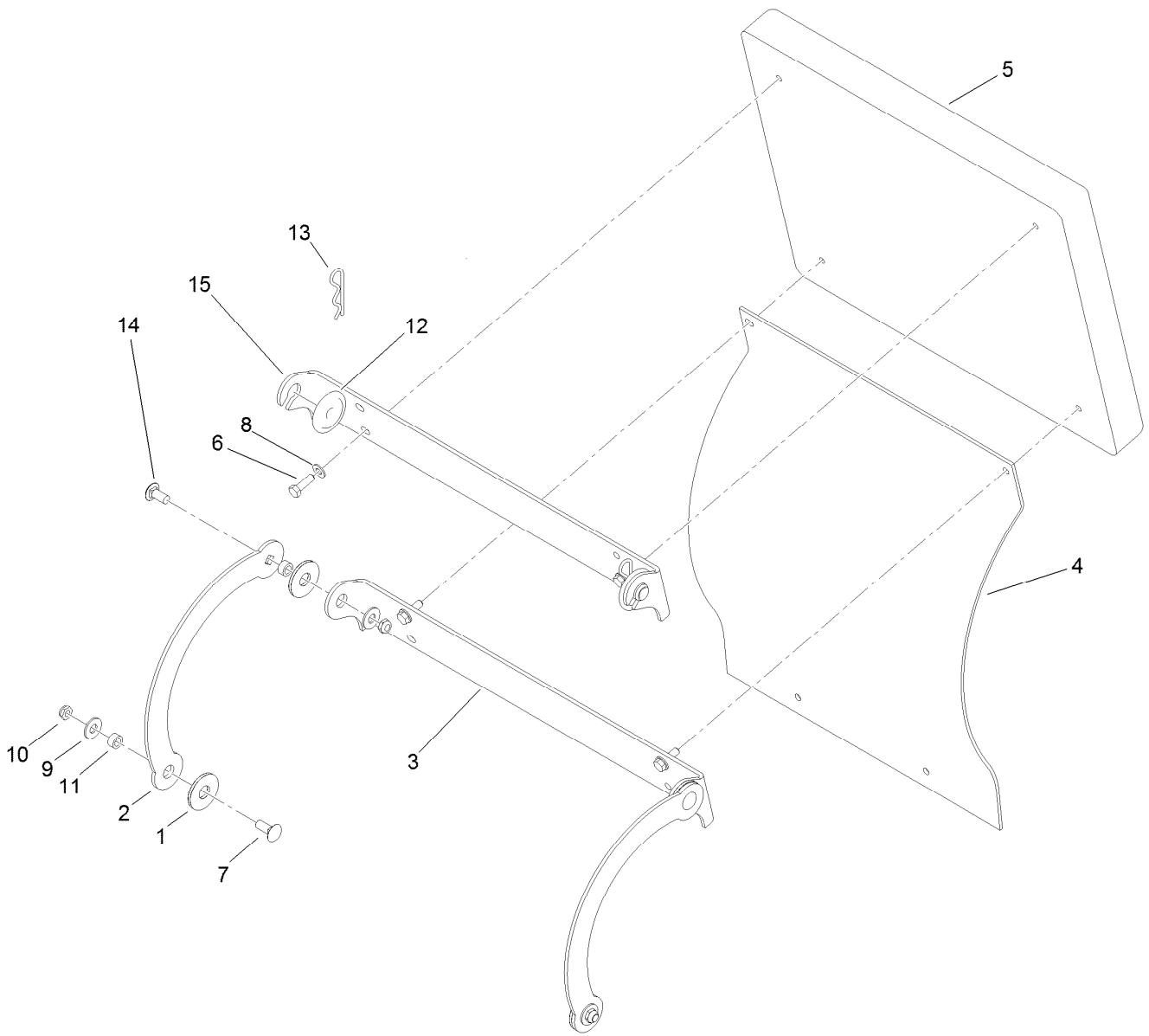
Deck Lift Spring Assembly No. 119-2337

<i>Ref.</i>	<i>Part Number</i>	<i>Qty.</i>	<i>Description</i>
1	1-633096	1	Rod-Lift, Deck
2	1-633441	2	Swivel-Deck Mount, Rear
3	119-2327	1	Spring-Compression
4	3217-11	3	Nut-Hex
5	3218-6	3	Nut-Jam
6	119-2334	2	Washer-Step
7	119-2335	1	Tube-Guide, Spring



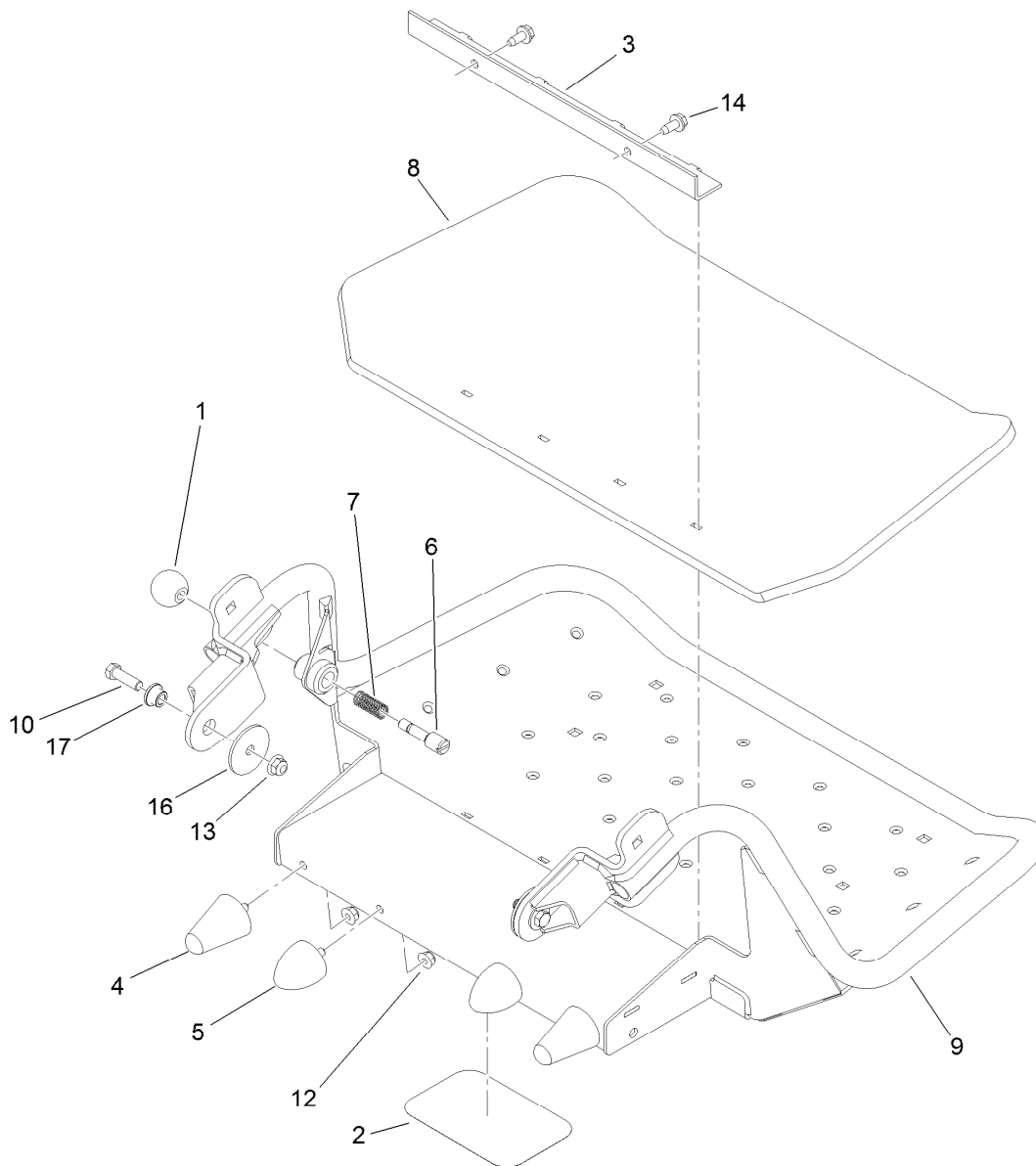
Cushion and Platform Assembly

<i>Ref.</i>	<i>Part Number</i>	<i>Qty.</i>	<i>Description</i>
1	117-9770	1	Cushion ASM
2	117-7675	1	Platform ASM



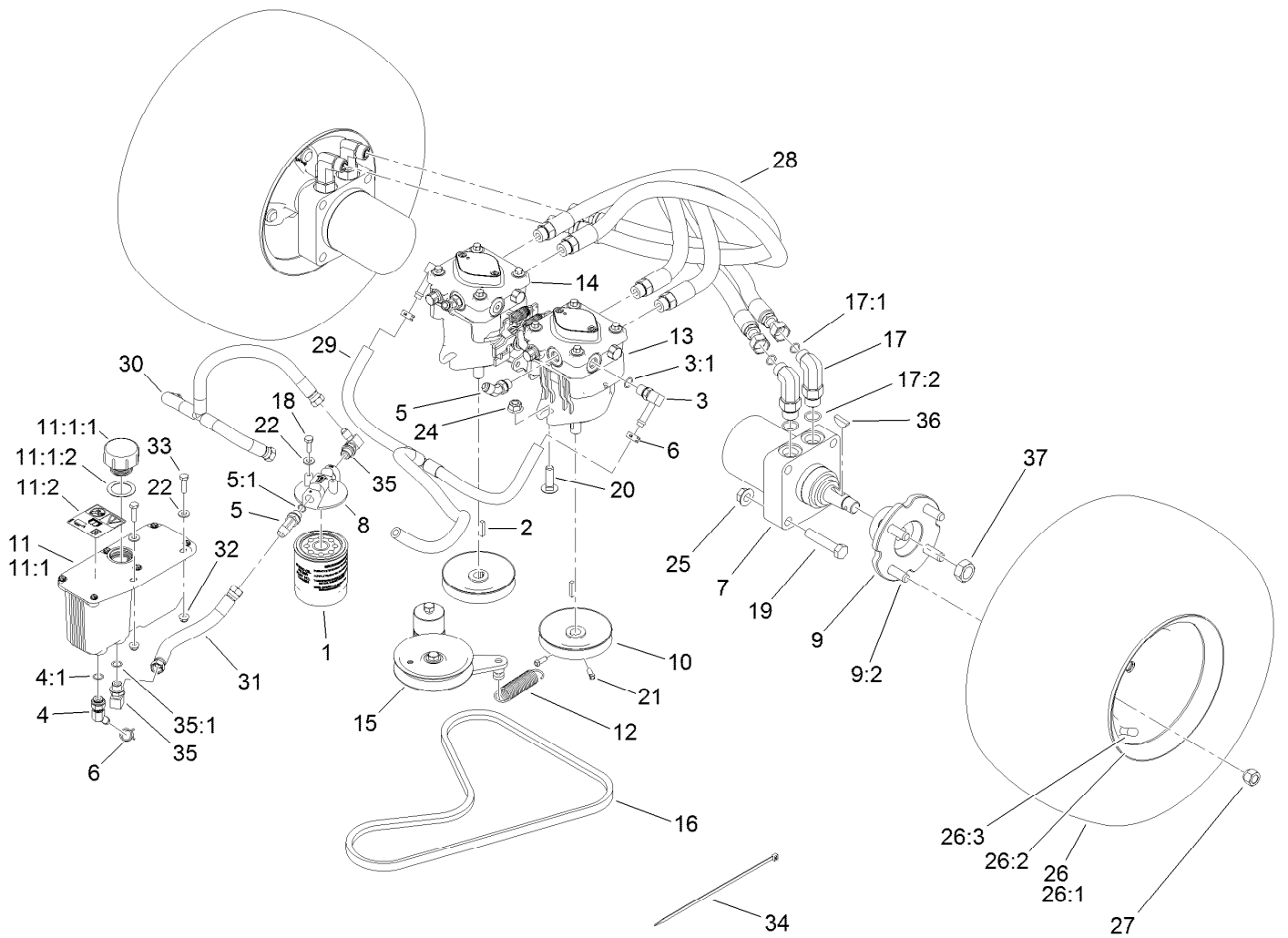
Cushion Assembly No. 117-9770

<i>Ref.</i>	<i>Part Number</i>	<i>Qty.</i>	<i>Description</i>
1	114-0463	4	Washer-Friction, Composite
2	114-1915-01	2	Link-Pad
3	116-2061-03	1	Hinge-Pad
4	114-1919	1	Shield-Rear
5	117-9739	1	Pad-Cushion
6	121-7999	4	Screw-HH
7	3231-2	2	Bolt-CARR
8	3256-23	4	Washer-Plain
9	3256-4	4	Washer-Flat
10	3296-59	4	Nut-Lock, NI
11	111044	4	Spacer
12	116-2886	2	Slide-Bushing
13	3290-355	2	Pin-Hair
14	3231-27	2	Screw-CARR
15	116-2757-03	1	Hinge-Pad



Platform Assembly No. 117-7675

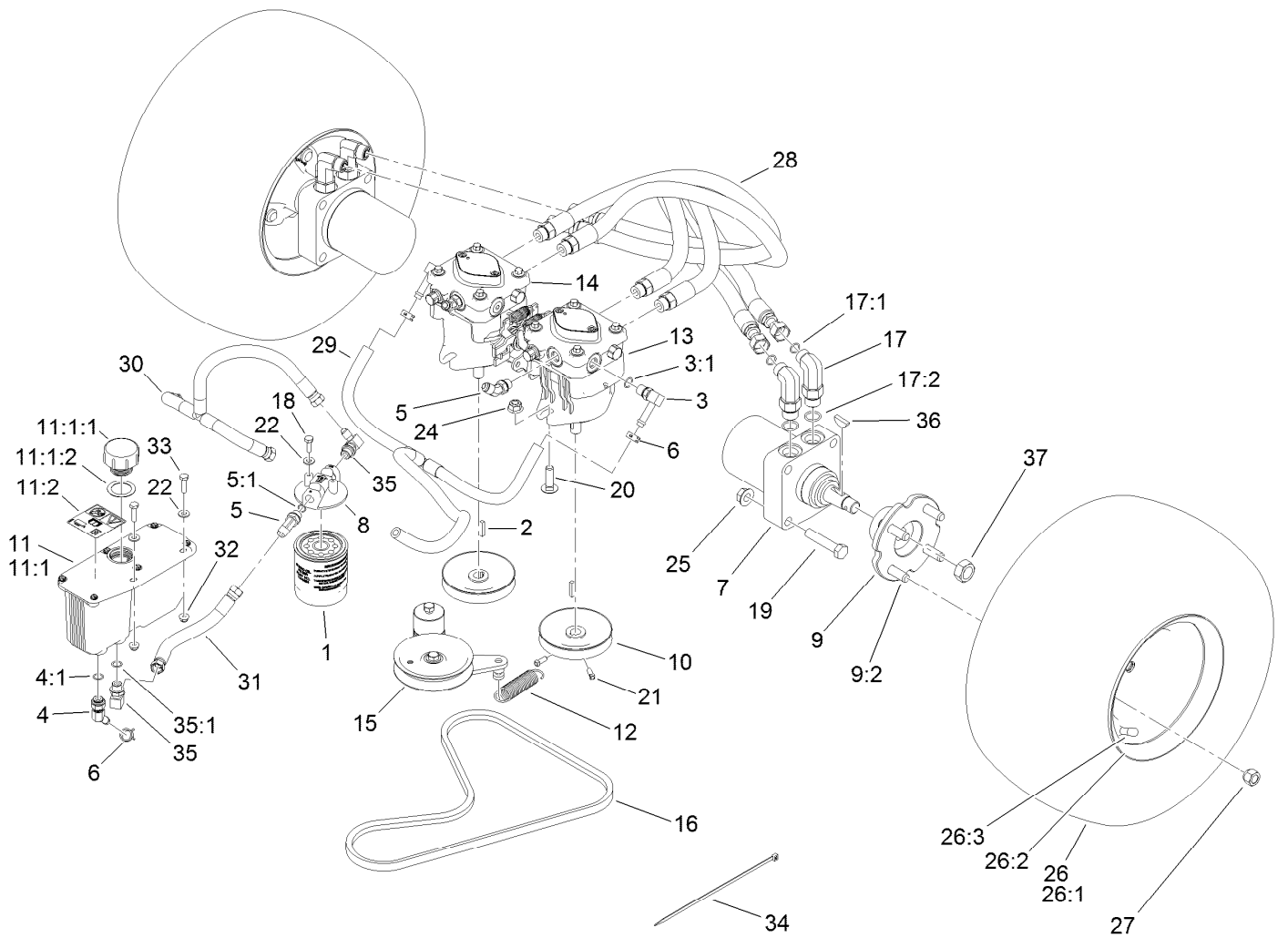
<i>Ref.</i>	<i>Part Number</i>	<i>Qty.</i>	<i>Description</i>
1	1-603175	1	Knob-Ball
2	68-3640	1	Decal
3	114-1920-03	1	Clamp-Shield
4	114-1925	2	Bumper-Rubber
5	114-1926	2	Bumper-Rubber
6	119-8650	1	Pin-Latch
7	114-5348	1	Spring
8	114-5349	1	Mat-Foot
9	117-7660-01	1	Platform
10	323-7	2	Screw-HH
12	104-8300	4	Nut-HF, NI
13	104-8301	2	Nut-HF, NI
14	32144-11	2	Screw-HWHTF
16	83-1040	2	Washer-Flat
17	109-8788	2	Bushing-Flanged



Traction Drive Assembly

Ref.	Part Number	Qty.	Description	Ref.	Part Number	Qty.	Description
1	114-3494	1	Element-Filter, 25 Micron	11:2	115-4212	1	Decal-Warning
2	1-807272	2	Key	12	108-4056	1	Spring-Extension
3	100-4887	2	Fitting-Elbow, 90	13	119-0176	1	Hydraulic Pump ASM
3:1	237-42	1	O-Ring	14	119-0177	1	Hydraulic Pump ASM
4	103-1807	1	Fitting-Barbed, 45 DEG	15	117-7685	1	Pump Idler ASM
4:1	237-42	1	O-Ring	16	119-0174	1	Belt-V
5	353-212	3	Fitting-Elbow, 45 DEG	17	119-8680	4	Fitting-Elbow, 90
5:1	237-42	1	O-Ring	17:1	237-30	1	O-Ring
6	103-1988	3	Clamp-Hose	17:2	237-80	1	O-Ring
7	104-1171	2	HYD Motor ASM	18	321-4	2	Screw-HH
8	104-7836	1	Head-Filter	19	325-10	8	Screw-HH
9	105-0800	2	Wheel Hub ASM	20	3232-3	4	Bolt-CARR
9:2	10-6830	4	Stud-Type, Drive	21	3241-5	4	Screw-Set
10	105-5648	2	Pulley-Pump	22	3256-22	4	Washer-Flat
11	107-8433	1	HYD Reservoir ASM	24	114-8417	4	Nut-HF, NI
11:1		1	Reservoir-HYD ●	25	32128-23	8	Nut-HF
11:1:1	103-1948	1	Cap-Reservoir, HYD	26	116-4587	2	Wheel/Tire ASM
11:1:2	103-1949	1	Gasket-Cap	26:1	116-4605	1	Rim-8 Inch

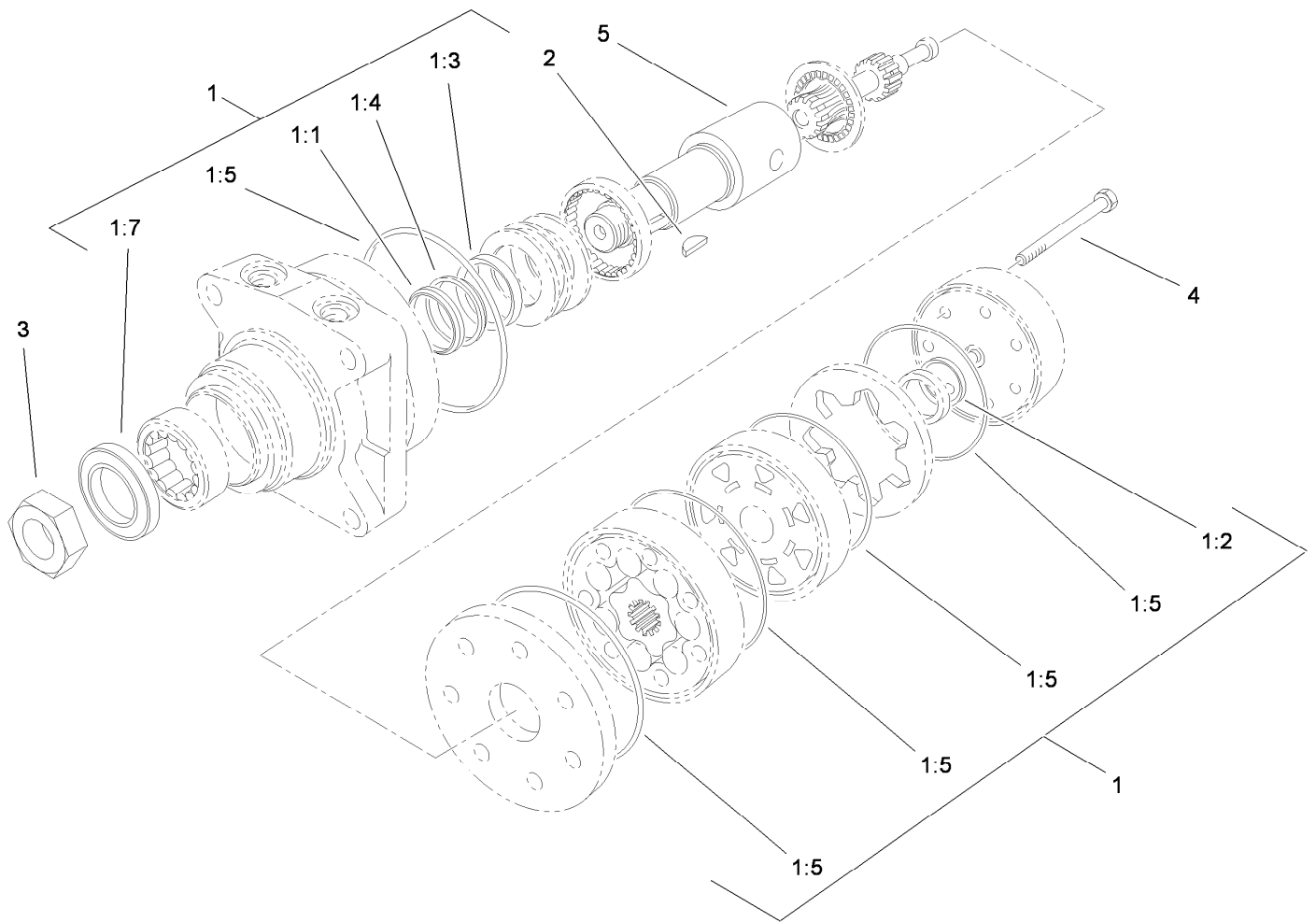
● Not serviced separately



Traction Drive Assembly (continued)

<i>Ref.</i>	<i>Part Number</i>	<i>Qty.</i>	<i>Description</i>	<i>Ref.</i>	<i>Part Number</i>	<i>Qty.</i>	<i>Description</i>
26:2	116-4606	1	Tire	32	104-7201	2	Nut-HF
26:3	232-27	1	Stem-Valve	33	321-6	2	Screw-HH
27	242-50	8	Nut-Lug	34	3290-378	1	Tie-Cable
28	119-0173	4	HYD Hose ASM	35	103-1802	2	Fitting-Elbow, 90 DEG
29	119-8745	1	HYD Hose ASM	35:1	1-603921	1	O-Ring
30	119-0206	1	HYD Hose ASM	36	3257-8	2	Key-Woodruff
31	119-0203	1	HYD Hose ASM	37	85-7310	2	Nut-Motor, Wheel

● Not serviced separately

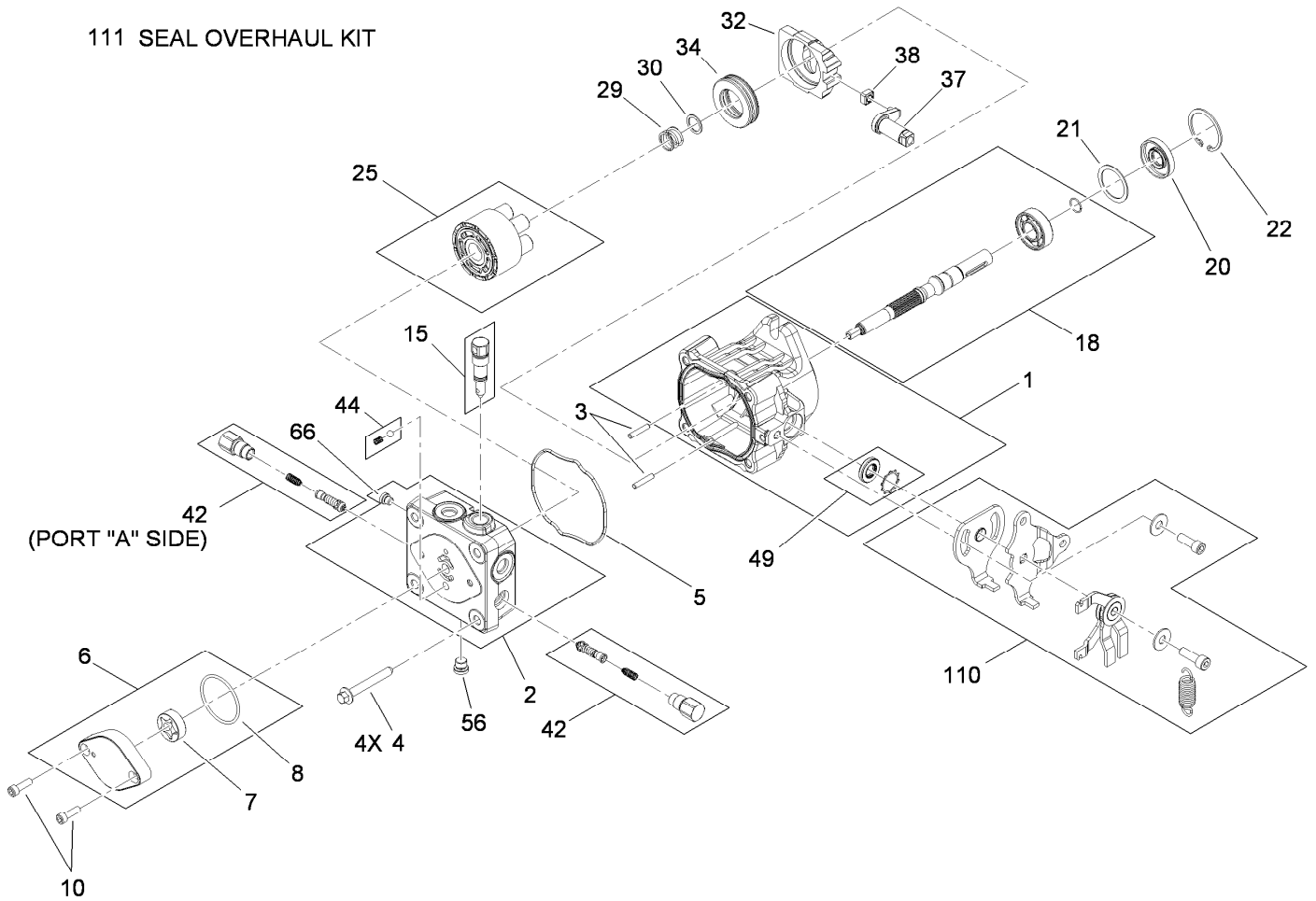


Hydraulic Motor Assembly 104-1171

Ref.	Part Number	Qty.	Description
1	1-000119	1	Seal Kit
1:1		1	Ring-Back Up ●
1:2		1	Seal-Commutator ●
1:3		1	Seal-Shaft (Viton) ●
1:4		1	Washer-Back Up, Steel ●
1:5		5	Ring-Seal (Viton) ●
1:7		1	Seal-Dirt And Water ●
2	3257-8	1	Key-Woodruff
3	85-7310	1	Nut-Motor, Wheel
4	106-5549	6	Bolt-Special
5	106-8764	1	Shaft-Coupling

● Not serviced separately

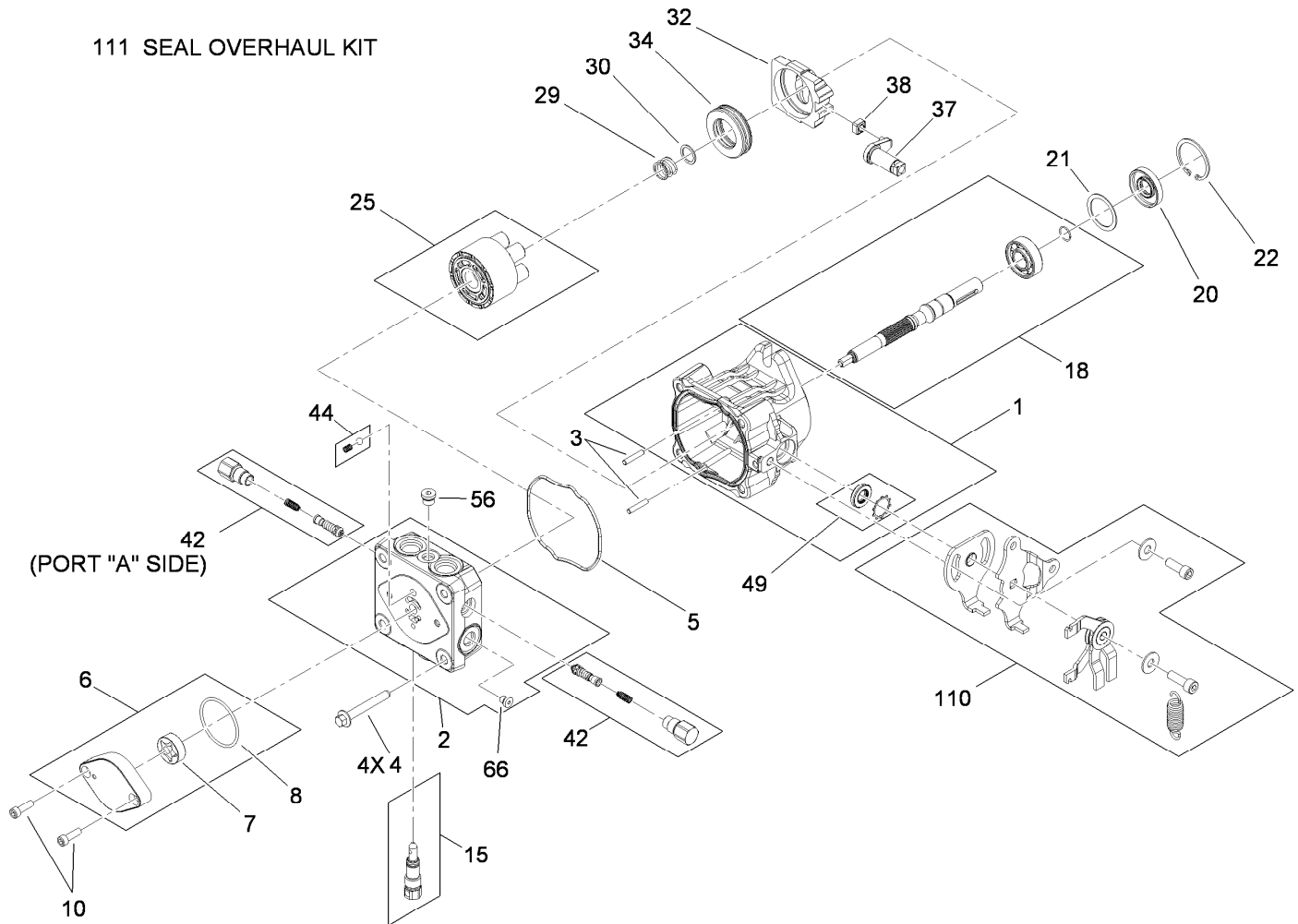
111 SEAL OVERHAUL KIT



Hydraulic Pump Assembly No. 119-0176

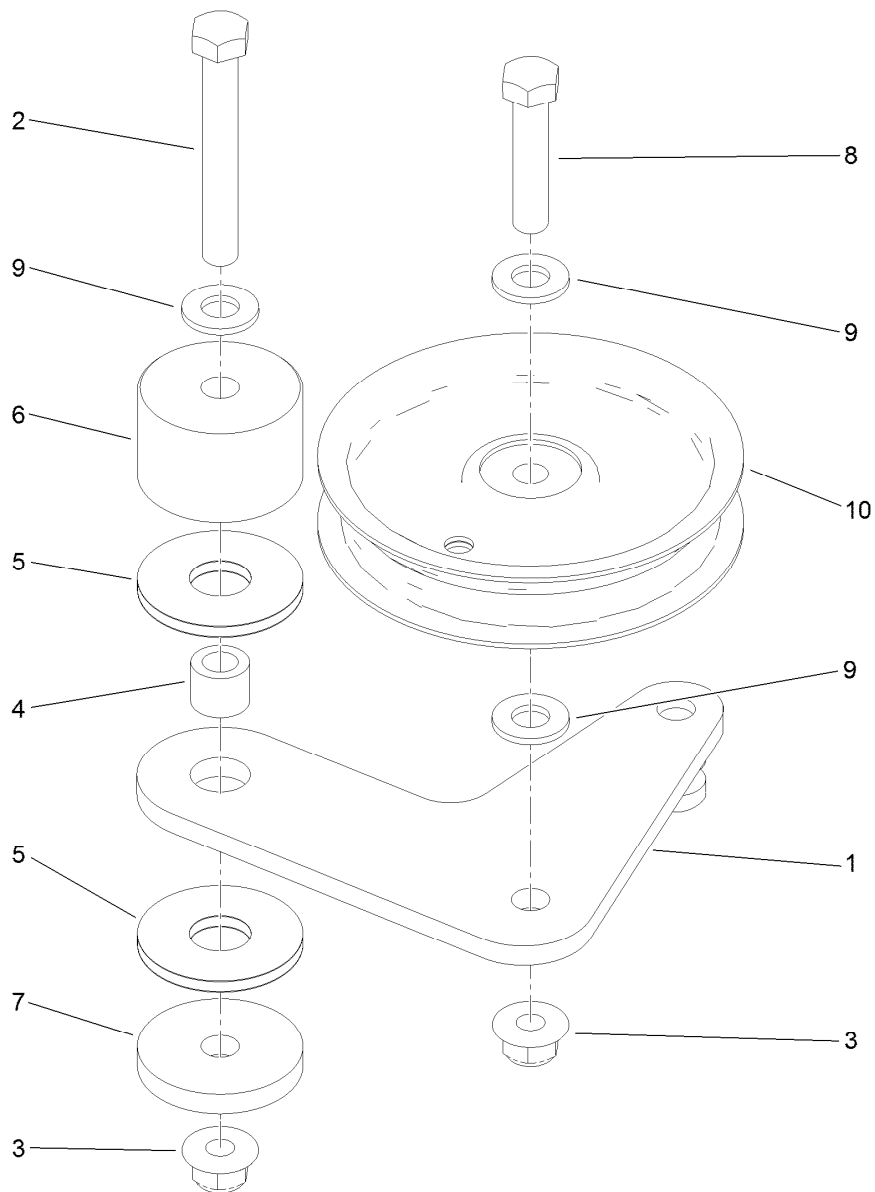
Ref.	Part Number	Qty.	Description	Ref.	Part Number	Qty.	Description
1	115-4464	1	Housing Kit	29	94-1936	1	Spring-Block
2	119-0184	1	End Cap STD Charge Kit	30	94-1937	1	Washer-Thrust
3	106-8753	2	Pin-Headless, Straight	32	94-1907	1	Swashplate-Variable
4	106-8754	4	Bolt-HF	34	94-6922	1	Bearing-Thrust
5	106-8755	1	O-Ring	37	115-4458	1	Arm-Trunnion, Tapered Square
6	106-8756	1	Charge Pump Kit	38	94-1910	1	Guide-Slot
7	104-2122	1	Gerotor ASM	42	98-3252	2	Valve-Check (W/Poppet)
8	106-8757	1	O-Ring	44	112-4164	1	Charge Relief Kit
10	104-2111	2	Capscrew	49	106-8761	1	Trunnion Seal / Retainer Kit
15	106-8759	1	Bypass Valve Kit	56	106-8762	1	Plug-HSH
18	103-2664	1	Input Shaft Kit	66	106-8763	1	Plug-HSH
20	104-5310	1	Seal-Lip	110	115-4459	1	Kit-Return
21	104-5308	1	Spacer	111	105-6184	1	Seal Overhaul Kit
22	104-5309	1	Ring-Retaining				
25	103-2666	1	Cylinder Block Kit				

111 SEAL OVERHAUL KIT



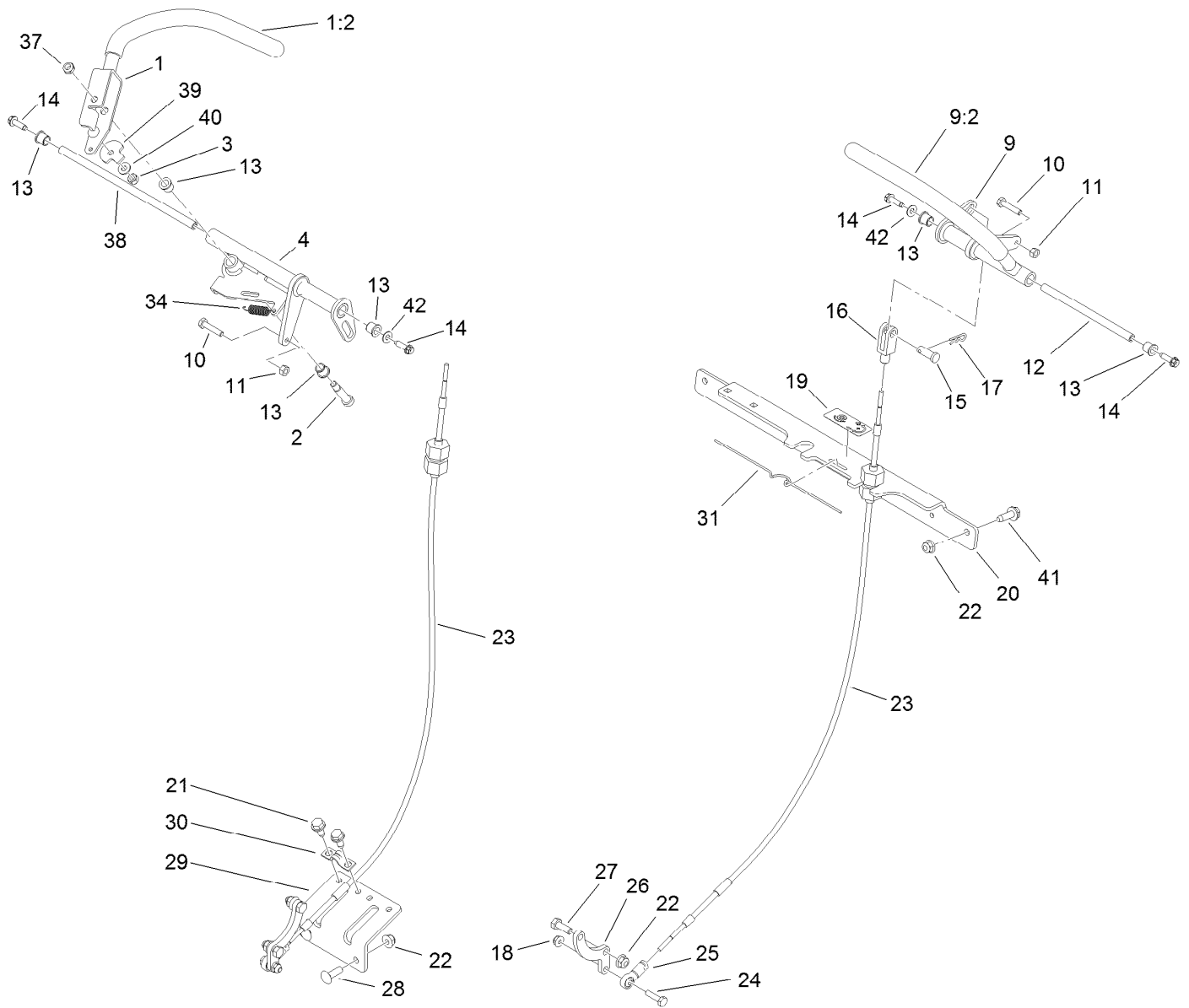
Hydraulic Pump Assembly No. 119-0177

Ref.	Part Number	Qty.	Description	Ref.	Part Number	Qty.	Description
1	115-4464	1	Housing Kit	29	94-1936	1	Spring-Block
2	119-0184	1	End Cap STD Charge Kit	30	94-1937	1	Washer-Thrust
3	106-8753	2	Pin-Headless, Straight	32	94-1907	1	Swashplate-Variable
4	106-8754	4	Bolt-HF	34	94-6922	1	Bearing-Thrust
5	106-8755	1	O-Ring	37	115-4458	1	Arm-Trunnion, Tapered Square
6	106-8756	1	Charge Pump Kit	38	94-1910	1	Guide-Slot
7	104-2122	1	Gerotor ASM	42	98-3252	2	Valve-Check (W/Poppet)
8	106-8757	1	O-Ring	44	112-4164	1	Charge Relief Kit
10	104-2111	2	Capscrew	49	106-8761	1	Trunnion Seal / Retainer Kit
15	106-8759	1	Bypass Valve Kit	56	106-8762	1	Plug-HSH
18	103-2664	1	Input Shaft Kit	66	106-8763	1	Plug-HSH
20	104-5310	1	Seal-Lip	110	115-4459	1	Kit-Return
21	104-5308	1	Spacer	111	105-6184	1	Seal Overhaul Kit
22	104-5309	1	Ring-Retaining				
25	103-2666	1	Cylinder Block Kit				



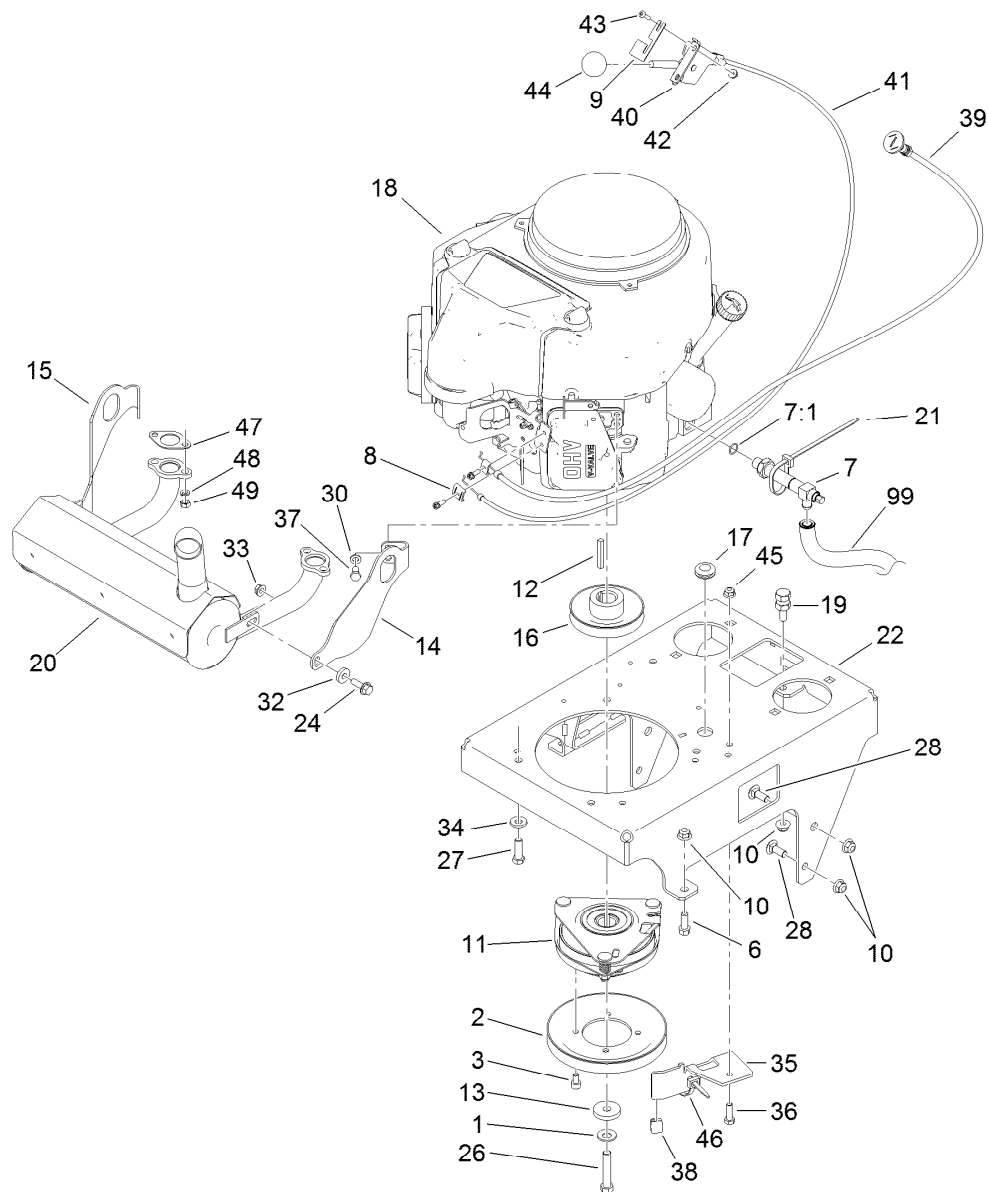
Pump Idler Assembly No. 117-7685

<i>Ref.</i>	<i>Part Number</i>	<i>Qty.</i>	<i>Description</i>
1	117-7684	1	Plate-Idler
2	323-13	1	Screw-HH
3	104-8301	2	Nut-HF, NI
4	1-413088	1	Bushing-Lever, Lift
5	114-0463	2	Washer-Friction, Composite
6	116-7599	1	Hub, Idler
7	110-9981	1	Washer-Plain
8	323-9	1	Screw-HH
9	3256-24	3	Washer-Flat
10	93-1622	1	Pulley-Idler



Motion Control Assembly

Ref.	Part Number	Qty.	Description	Ref.	Part Number	Qty.	Description
1	119-1887	1	Lever-Motion, RH	21	32144-70	4	Screw-HWHTF
1:2	119-0222	1	Grip	22	104-8300	8	Nut-HF, NI
2	114-0239	1	Screw-HSH	23	117-6225	2	Cable ASM
3	3296-42	1	Nut-Lock, NI	24	321-6	2	Screw-HH
4	125-4670	1	Motion Control ASM-RH	25	117-6222	2	Rod End-Ball Joint
9	125-4671	1	LH Motion Control ASM	26	117-6204	2	Arm-Control, Pump
9:2	119-0222	1	Grip	27	322-4	4	Screw-HH
10	114-0282	2	Screw-HH	28	3230-10	2	Bolt-CARR
11	3217-5	2	Nut-Hex	29	117-6238-01	1	Bracket-Clamp, Cable
12	119-1885	1	Shaft-Pivot, Motion Control	30	93-2279	2	Clamp-Cable
13	103-9928	6	Bearing	31	114-0433	1	Clip-Spring
14	80-0700	4	Screw-HH, Torx	34	114-0249	1	Spring-Extension
15	1-808284	2	Pin-Clevis	37	3296-47	1	Nut-Lock, NI
16	119-1869	2	Yoke-Female	38	119-1886	1	Shaft-Pivot
17	3290-307	2	Pin-Cotter	39	114-0268	1	Cam-Lever
18	104-7201	2	Nut-HF	40	3256-22	1	Washer-Flat
19	119-1854	1	Decal-Tracking, Hydro	41	3234-29	2	Screw-HHF
20	117-6239-01	1	Bracket-Cross	42	3256-1	2	Washer-Flat

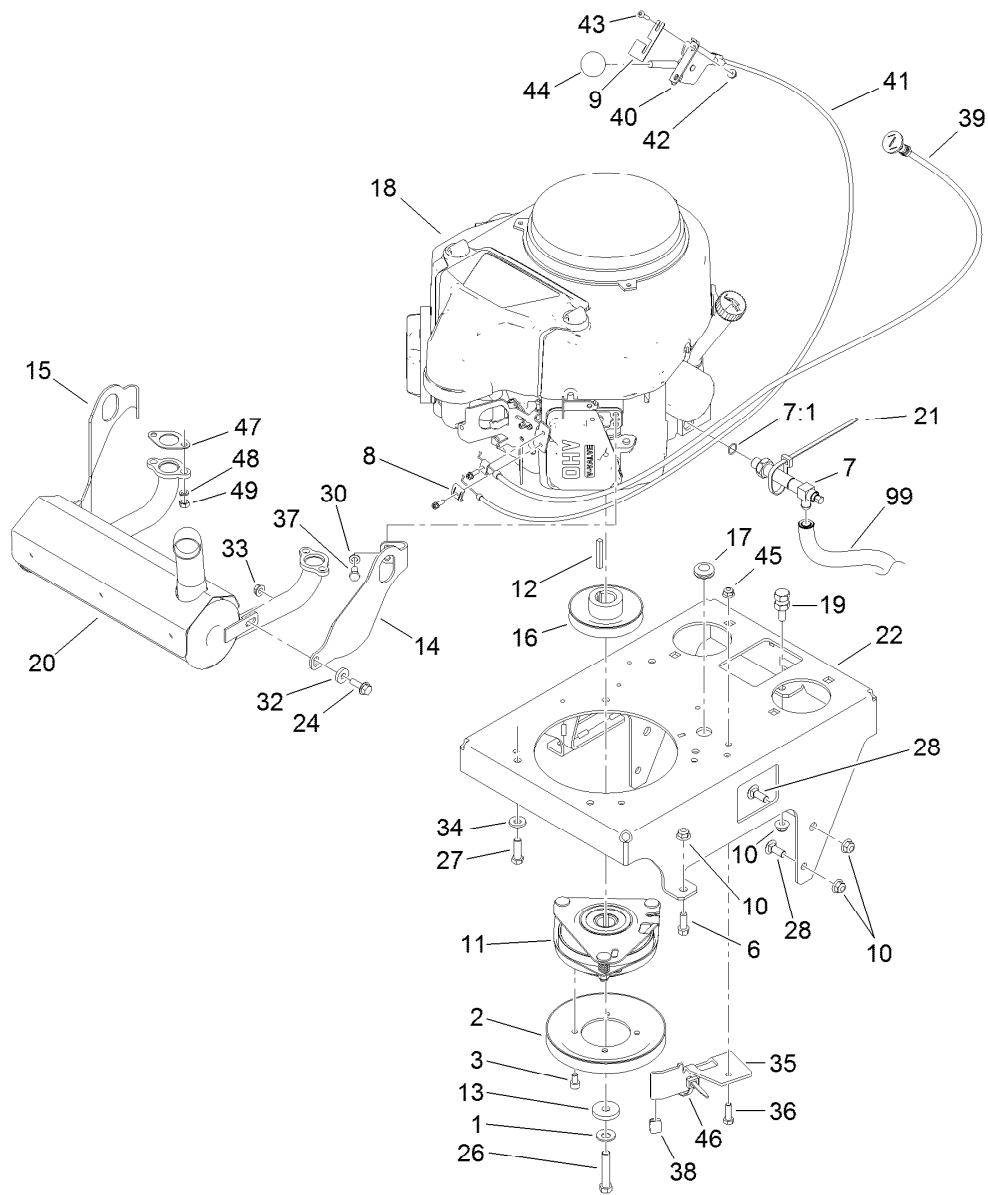


Engine Assembly

Ref.	Part Number	Qty.	Description	Ref.	Part Number	Qty.	Description
1	1-603610	1	Washer-Spring	19	114-5866	1	Anchor-Spring, Short
2	119-0215	1	Pulley	20	116-8746	1	Muffler
3	119-0221	4	Screw-HSH	21	3290-378	1	Tie-Cable
6	92-1624	2	Screw-HWH	22	119-0155-01	1	Base-Engine
7	116-6126	1	Valve-Drain Oil	24	3234-29	2	Screw-HHF
7:1	138-4636	1	O-Ring	26	3212-9	1	Screw-HH
8	81-1690	1	Clamp-Cable	27	323-7	4	Screw-HH
9	119-1883	1	Plate-Set, Throttle	28	3231-2	4	Bolt-CARR
10	104-8301	7	Nut-HF, NI	30	3253-4	4	Washer-Lock
11	119-0220	1	Clutch/Brake ASM	32	104-7658	2	Spacer
12	608006	1	Key-Square	33	32128-25	2	Nut-HF
13	107-4136	1	Washer	34	98-5975	4	Washer-Belleville
14	116-2353	1	Bracket-Muffler Mount, LH	35	121-5984-03	1	Bracket-Clutch Stop
15	116-2354	1	Bracket-Muffler Mount, RH	36	322-5	1	Screw-HH
16	112-7067	1	Pulley	37	33114-016	4	Screw-HH
17	112-7069	1	Grommet	38	109-3765	1	Bumper
18	Engine-Kawasaki, Fs541V	1	Engine-Kawasaki, Fs541V	39	106-9962	1	Control-Choke, Push / Pull
			● ■	40	110-5547	1	Lever-Control

● Not serviced separately

■ Obtain parts from www.kawpowerpc.com

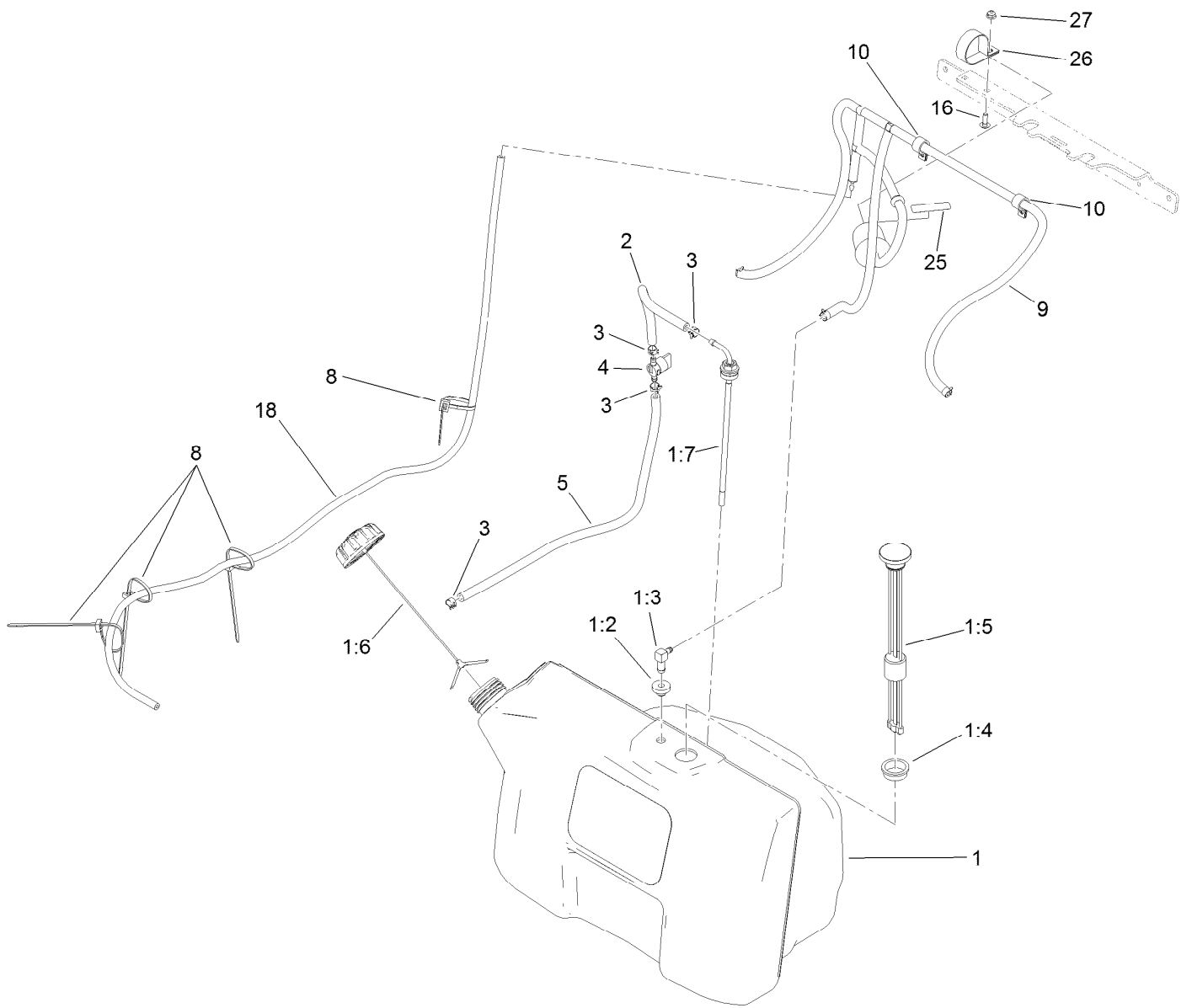


Engine Assembly (continued)

<i>Ref.</i>	<i>Part Number</i>	<i>Qty.</i>	<i>Description</i>	<i>Ref.</i>	<i>Part Number</i>	<i>Qty.</i>	<i>Description</i>
41	119-1882	1	Cable-Control	46	3290-378	2	Tie-Cable
42	32128-17	2	Nut-Lock, Flange	47	1-653313	2	Gasket-Exhaust
43	110-0863	2	Screw-Torx	48	114-3550	4	Washer-Lock
44	1-603175	1	Knob-Ball	49	114-3549	4	Nut
45	104-8300	1	Nut-HF, NI	99	103-1964	1	Hose-Drain, Oil

● Not serviced separately

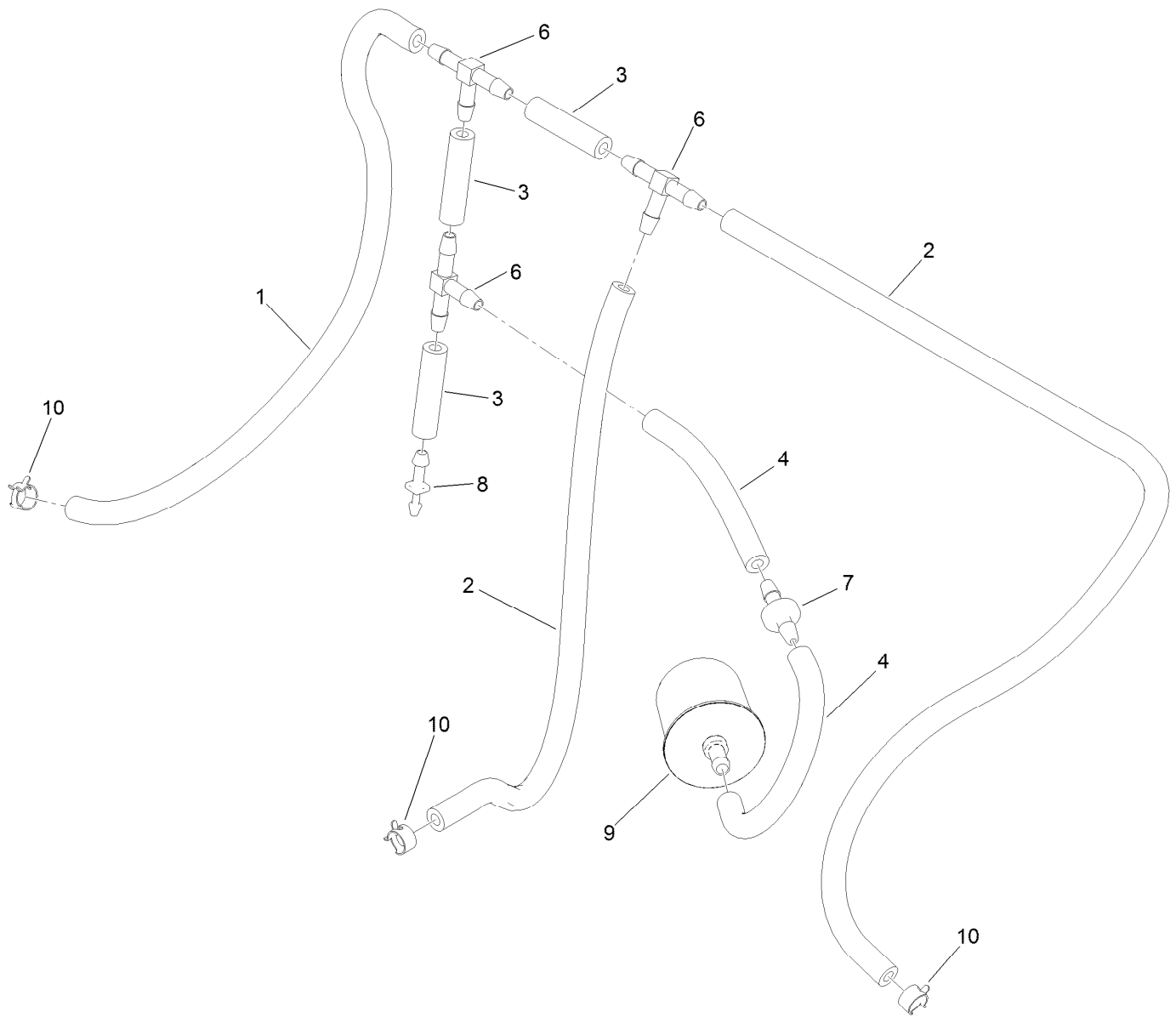
■ Obtain parts from www.kawpowerpc.com



Fuel Tank Assembly

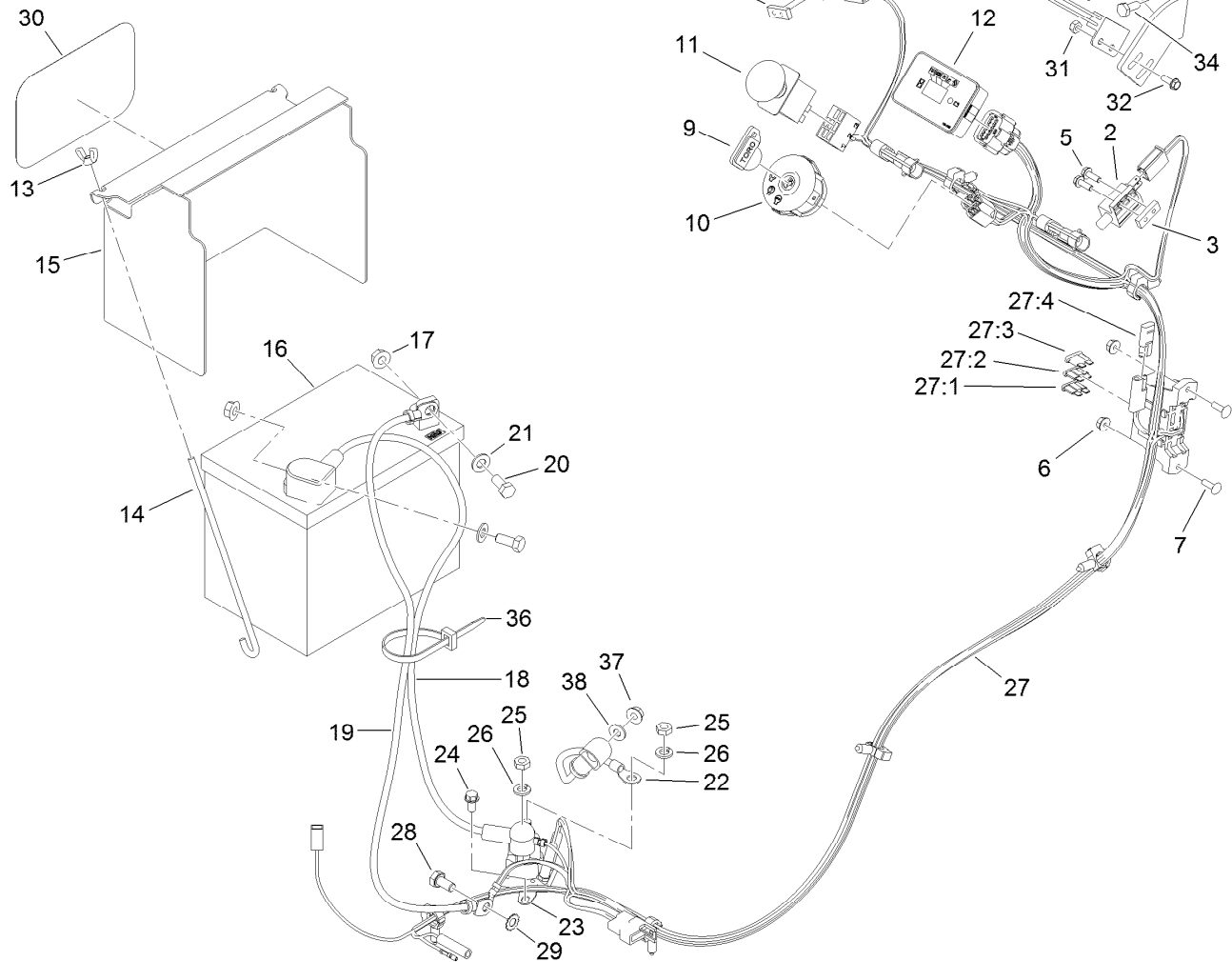
Ref.	Part Number	Qty.	Description	Ref.	Part Number	Qty.	Description
1	119-7340	1	Tank ASM	5	109-0301	1	Hose-Fuel
1:2	46-6560	3	Bushing	8	3290-378	4	Tie-Cable
1:3	1-643172	3	Elbow-90 DEG	9		1	Vent Hose ASM ●
1:4	95-8972	1	Grommet	10	2412-87	2	Clamp-Cable
1:5	117-9719	1	Guage-Fuel	16	3229-1	1	Bolt-CARR
1:6	116-1704	1	Cap-Fuel, Ratcheting	18	119-6073	1	Hose-Fuel
1:7	116-3408	1	Fitting-Fuel, Bulkhead	25	116-4769	1	Decal-Filter, Emissions
2	109-0297	1	Hose-Fuel	26	2412-96	1	Clamp-R
3	2412-98	4	Clamp-Hose	27	104-7201	1	Nut-HF
4	1-603770	1	Valve-Fuel				

● Not serviced separately



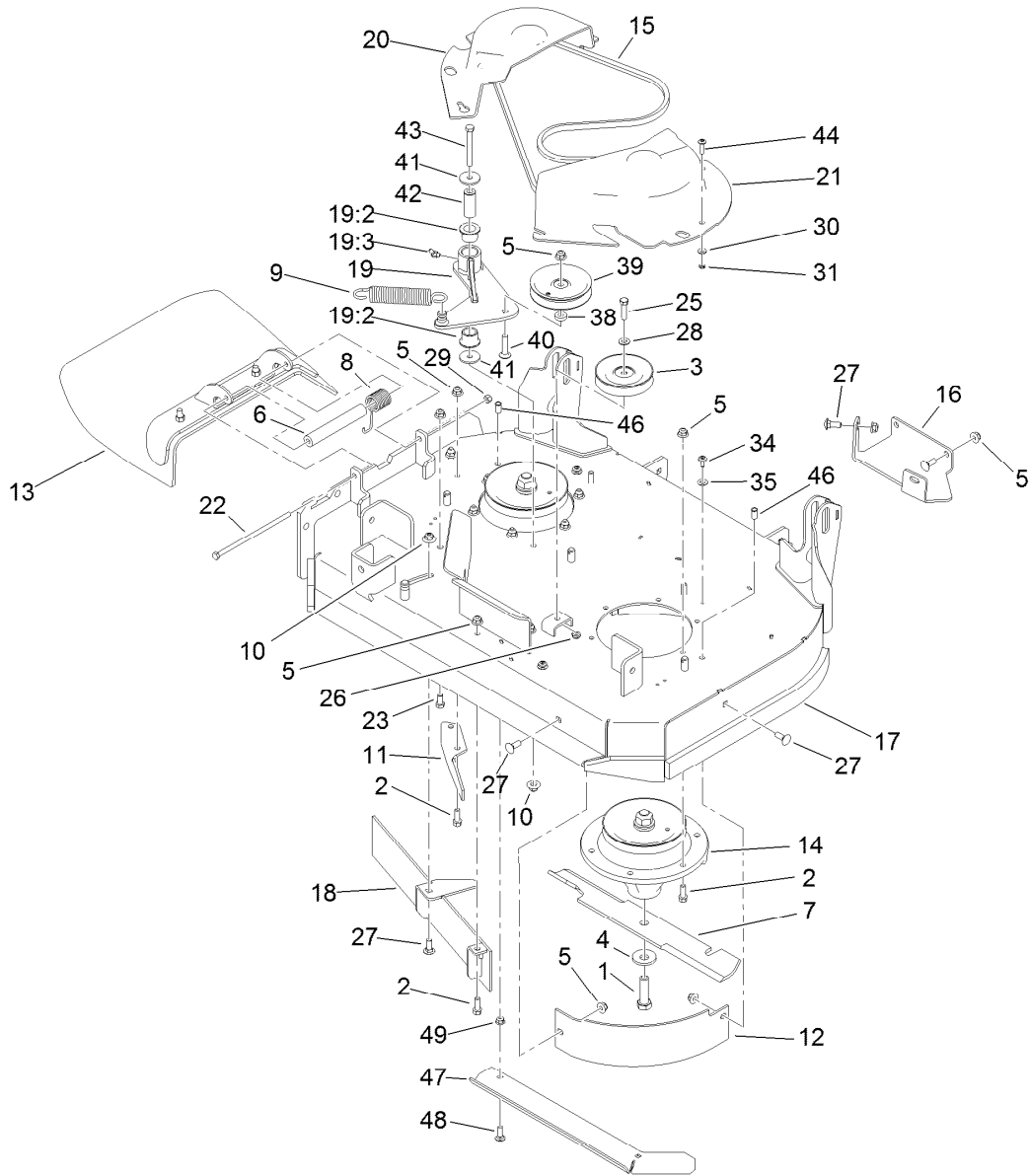
Vent Hose Assembly

Ref.	Part Number	Qty.	Description
1	109-3491	1	Hose-Fuel
2	109-0299	2	Hose-Fuel
3	99-9415	3	Hose-Fuel
4	109-0650	2	Hose-Fuel
6	99-5005	3	Fitting-Tee, Barbed
7	99-5000	1	Valve-Check, Fuel
8	106-8150	1	Fitting-Straight
9	120-2235	1	Filter-Fuel
10	2412-98	3	Clamp-Hose



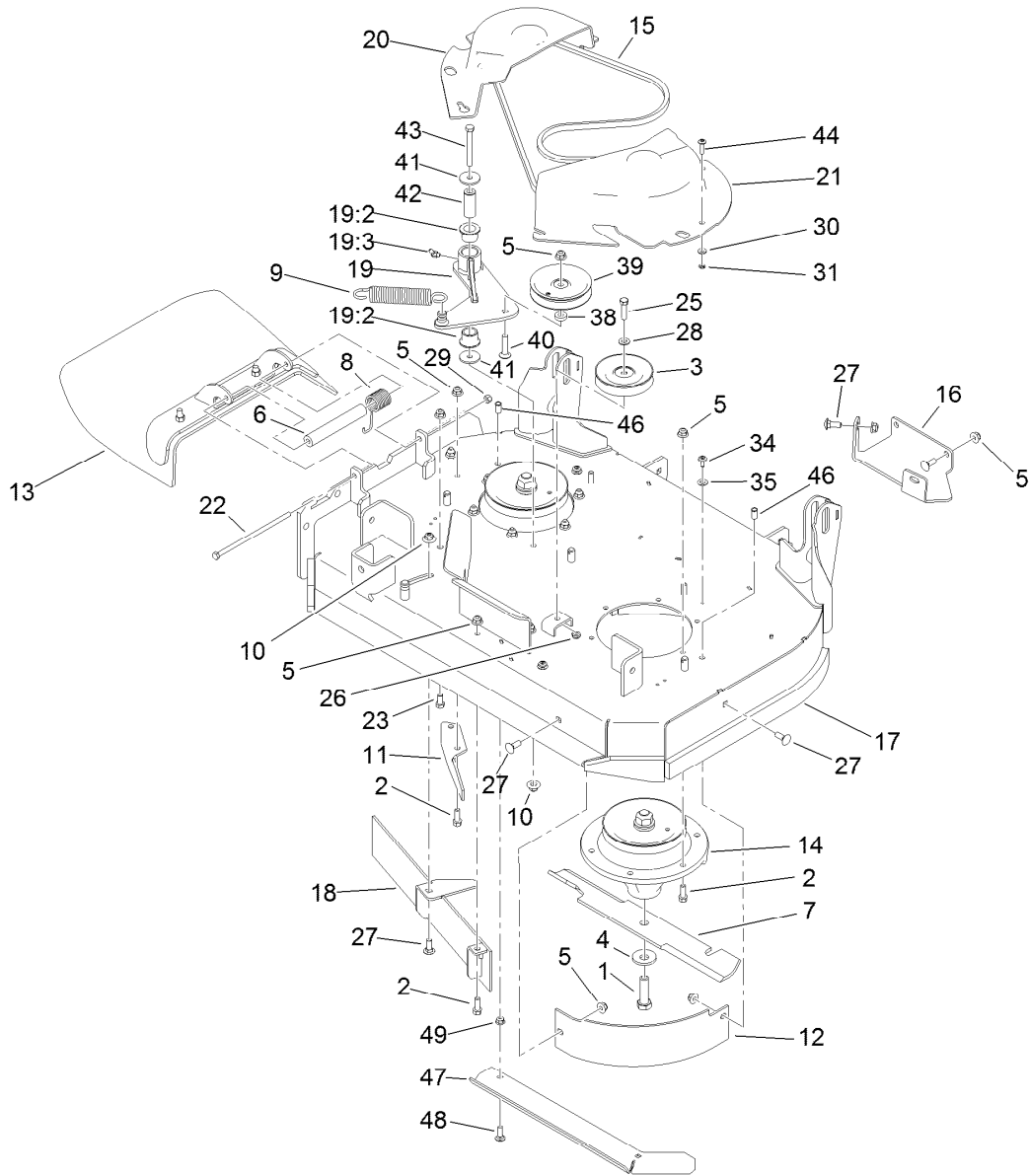
Electrical Assembly

Ref.	Part Number	Qty.	Description	Ref.	Part Number	Qty.	Description
1	105-0023	2	Switch-Proximity	23	117-1197	1	Solenoid
2	1-513152	2	Switch-Closed, Normally	24	32144-4	2	Screw-HWH
3	1-633181	2	Plate-Tapped	25	3220-2	2	Nut-Jam
4	32105-13	2	Screw-HWH	26	3253-4	2	Washer-Lock
5	32105-2	2	Screw-SHWH	27	119-0181	1	Harness-Wire
6	32128-17	2	Nut-Lock, Flange	27:1	109103	1	Fuse-Blade, 30 Amp
7	1-807533	2	Bolt-CARR	27:2	109102	1	Fuse-Blade, 25 Amp
9	63-8360	1	Key-Ignition	27:3	218-578	1	Fuse-Blade, 10 Amp
10	117-2222	1	Switch-Ignition	27:4	116-0053	1	Cap-Plug
11	114-0279	1	Switch-PTO, On-On	28	33114-016	1	Screw-HH
12	117-3886	1	Module-Hour Meter	29	3255-8	1	Washer-Lock
13	1-543792	2	Wingnut	30	68-3640	1	Decal
14	1-633651	2	Bolt-Holddown	31	3296-2	4	Nut-Lock, NI
15	117-0543-01	1	Cover-Battery	32	32105-23	4	Screw
16	104-8162	1	Battery-Dry	33	119-8503-01	2	Bracket-Mount, Switch
17	109-5715	2	Nut-HHF, Smooth	34	321-3	2	Screw-HH
18	120-6442	1	Cable-Battery, Positive	35	32128-32	4	Nut-HHF
19	103-0705	1	Cable-Ground, Negative	36	3290-378	1	Tie-Cable
20	322-3	2	Screw-HH	37	32128-33	1	Nut-HF
21	3256-23	2	Washer-Plain	38	3256-22	1	Washer-Flat
22	106-8268	1	Cable-Battery, Red	39	321-4	2	Screw-HH



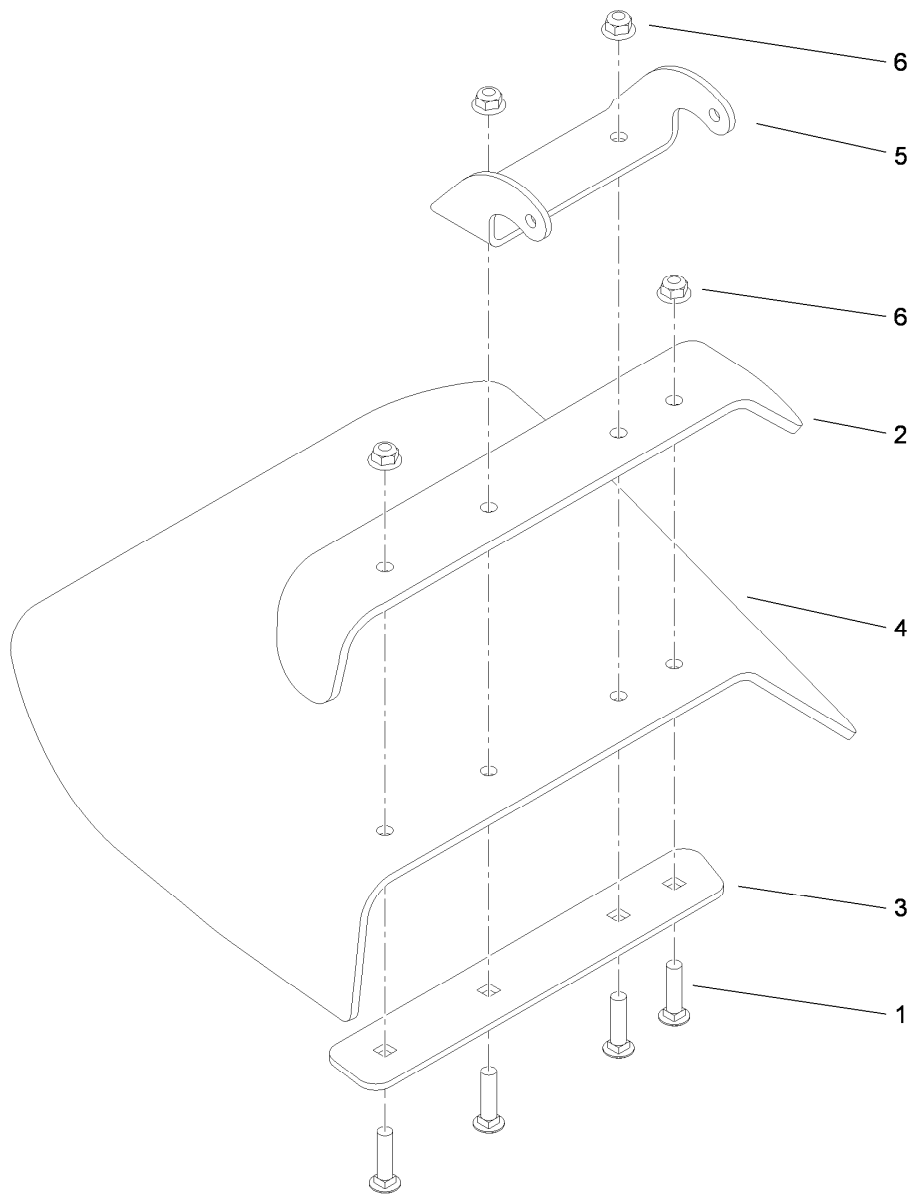
Deck Assembly

Ref.	Part Number	Qty.	Description	Ref.	Part Number	Qty.	Description
1	51-4060	2	Screw-Blade	20	119-1802	1	Cover-Belt, RH
2	92-1624	15	Screw-HWH	21	119-1803	1	Cover-Belt, LH
3	92-7099	1	Pulley-Idler	22	322-50	1	Screw-HH
4	103-0865	2	Washer-Blade Bolt, Heavy	23	323-4	2	Screw-HH
5	104-8301	25	Nut-HF, NI	25	323-8	1	Screw-HH
6	105-4622	1	Spacer	26	3296-59	1	Nut-Lock, NI
7	105-7781-03	2	Blade-18In, Hi Flow	27	3231-2	7	Bolt-CARR
8	108-4052	1	Spring-Torsion	28	3256-24	1	Washer-Flat
9	119-0394	1	Spring-Extension	29	3296-29	1	Nut-Lock, NI
10	109-6658	2	Nut-Flange, NI	30	3256-22	2	Washer-Flat
11	110-0754-01	1	Baffle-Discharge	31	106-8737	2	Nut-Retainer
12	110-6903-03	1	Baffle-Front, LH	34	112-4004	4	Screw-Shoulder
13	119-2347	1	Deflector ASM	35	73-0041	4	Washer-Thrust
14	117-7638	2	Spindle ASM	38	5-0652	1	Spacer
15	117-7641	1	Belt-V	39	93-1622	1	Pulley-Idler
16	117-7687-01	1	Plate-Skid	40	3231-5	1	Screw-CARR
17	121-6015	1	Deck And Decal ASM	41	1-213069	2	Washer
18	119-0153-03	1	Front Baffle ASM	42	119-0208	1	Spacer-Plain
19	119-0180	1	Idler Arm ASM	43	323-20	1	Screw-HH
19:2	33-3090	2	Bushing	44	32105-32	2	Screw-TTH
19:3	302-11	1	Fitting-Lube, 45 DEG	46	32148-6	2	Nut-Clinch



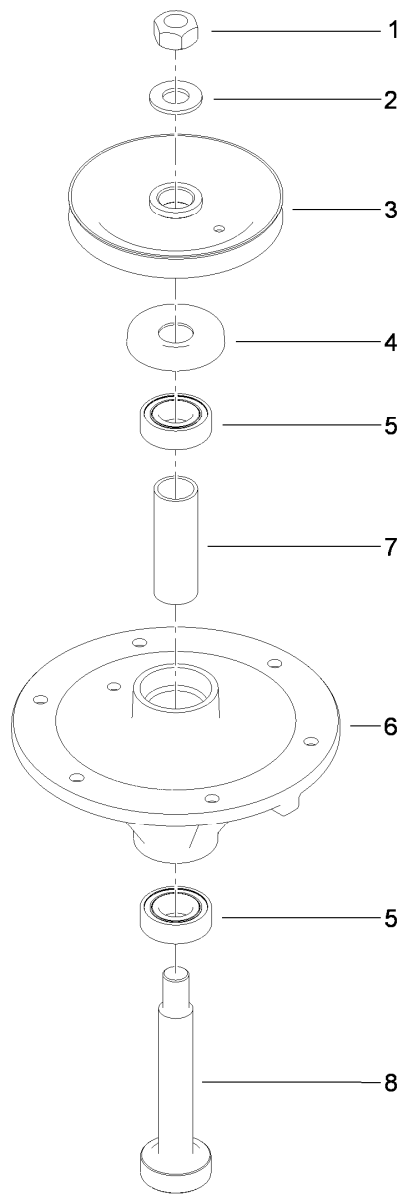
Deck Assembly (continued)

<i>Ref.</i>	<i>Part Number</i>	<i>Qty.</i>	<i>Description</i>	<i>Ref.</i>	<i>Part Number</i>	<i>Qty.</i>	<i>Description</i>
47	119-7839-01	1	Extender-Deck	48	3230-2	2	Bolt-CARR
				49	104-8300	2	Nut-HF, NI



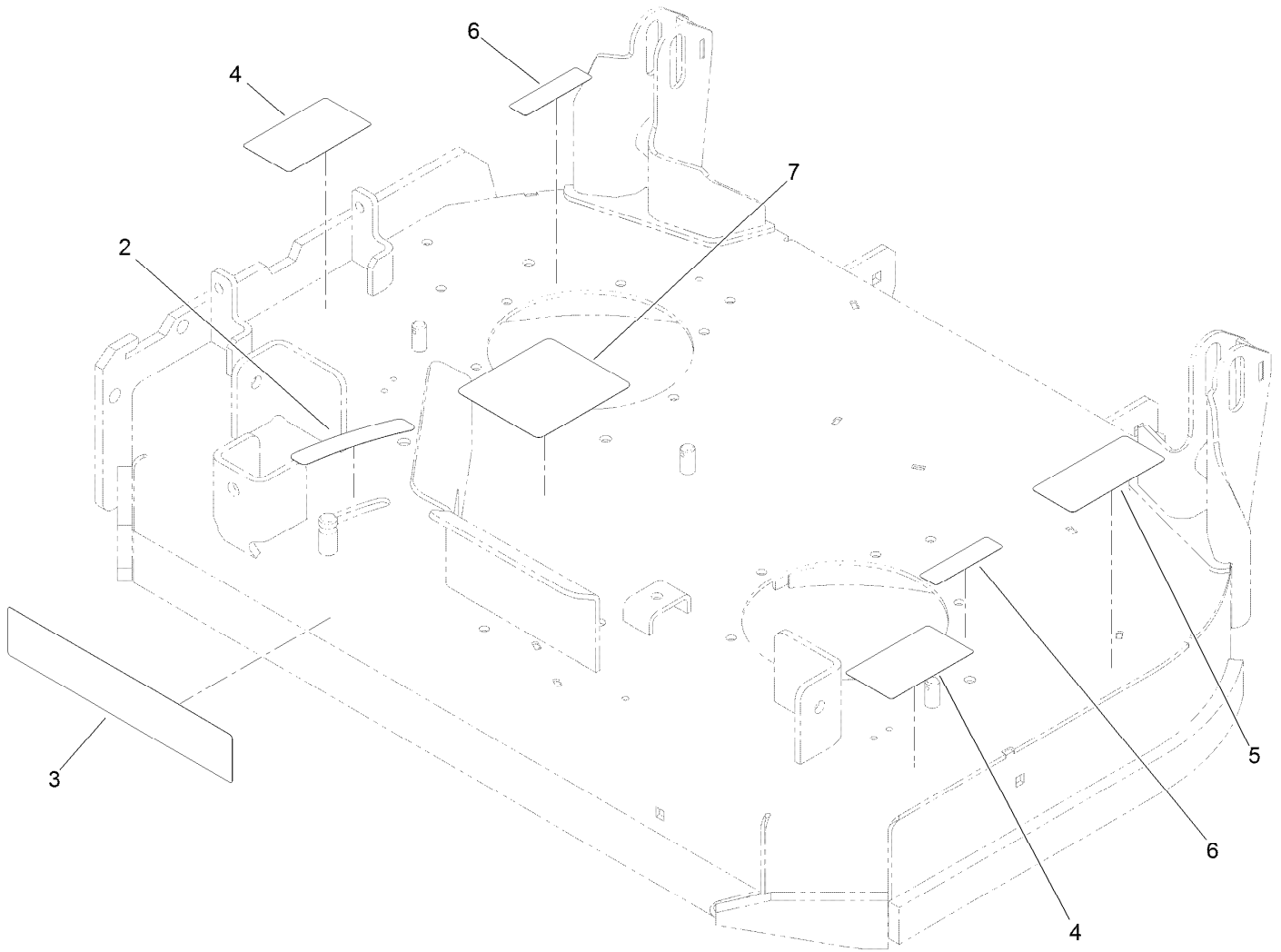
Deflector Assembly No. 119-2347

<i>Ref.</i>	<i>Part Number</i>	<i>Qty.</i>	<i>Description</i>
1	3231-4	4	Screw-CARR
2	110-0792-01	1	Deflector
3	110-0793-03	1	Strap-Discharge
4	119-2346	1	Deflector-Rubber
5	110-9923-01	1	Bracket-Mounting, Deflector
6	104-8301	4	Nut-HF, NI



Spindle Assembly No. 117-7638

<i>Ref.</i>	<i>Part Number</i>	<i>Qty.</i>	<i>Description</i>
1	3219-7	1	Nut-Hex
2	7-4150	1	Washer
3	117-7614	1	Pulley
4	106-0873	1	Shield-Bearing
5	116-0720	2	Bearing-Ball
6	108-6696	1	Housing-Spindle
7	110-0727	1	Spacer-Bearing
8	110-0726	1	Shaft-Spindle



Deck Decal Assembly No. 121-6015

<i>Ref.</i>	<i>Part Number</i>	<i>Qty.</i>	<i>Description</i>
2	110-2067	1	Decal-Setting, Baffle
3	119-0197	1	Decal
4	121-6049	2	Decal-Danger
5	93-7818	1	Decal-Torque, Blade Bolt
6	119-0217	2	Decal-Danger
7	119-0186	1	Decal-Routing, Belt

Attachments and Accessories

For 74534TE GrandStand Mower With 91cm TURBO FORCE Cutting Unit

Product Name	Model/Part
Blade-Hi Flow, 18in (6 Pack).....	108-1117
Blade-Lo Flow, 18in (6 Pack).....	110-0406
Blade-Recycler, 18in (6 Pack).....	110-0408
Blade-Med Flow, 18in (6 Pack).....	110-0409
36in Recycler Kit.....	110-2080
Light Kit.....	114-3505
Hypr-Oil 500 (quart).....	114-4713
Hypr-Oil 500 (gallon).....	114-4714
Hypr-Oil 500-5 (5 gallon).....	114-4715
Weight Kit.....	117-3620
Striping Kit.....	117-8560
Operator-Controlled Discharge Chute Kit with Bag.....	117-8565
Trash Bag Kit.....	121-7530
Spark Arrestor.....	98-9099



Count on it.