



Count on it.

Parts Catalog

**Multi Pro® 5800-G Turf Sprayer
with ExcelaRate Spray System**

Model No. 41394—Serial No. 316001001 and Up



Ordering Replacement Parts

To order replacement parts, please supply the part number, the quantity, and the description of each part desired.

Understanding Reference Numbers

Each identified part in an illustration has a reference number. The reference number for a part also appears in the parts list, along with other information about the part.

This catalog uses two special reference number formats, one to indicate parts in a service assembly and another to indicate the quantity of a given part in an illustration.

Service Assembly Reference Numbers

Parts in service assemblies have reference numbers in the form a:b. The a represents the reference number of the entire service assembly and the b represents a sequential number unique to each part within the service assembly.

For example, a wheel assembly might be identified by reference number 6, the tire by 6:1, the valve by 6:2, and the wheel by 6:3. When you order the assembly identified by reference number 6, you receive all parts identified by reference numbers 6:1, 6:2, and 6:3. However, you may also order any part individually. Reference numbers of this type appear in illustration and in parts lists.

Reference Numbers Indicating Quantity

In an illustration, if a reference number indicates more than one part, the reference number has the form nX y. The n represents the quantity of the part, the X is the multiplication symbol, and the y represents the reference number.

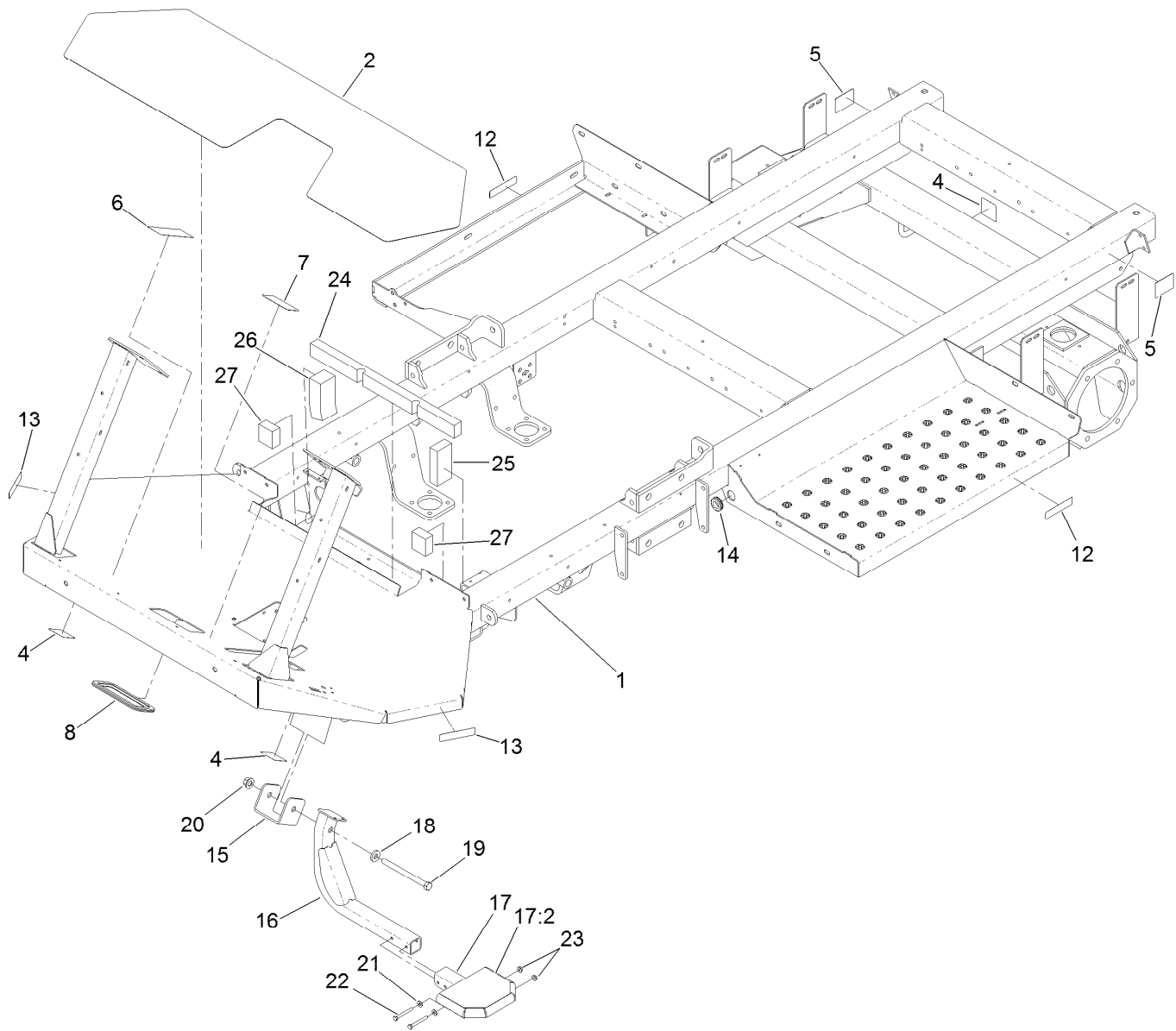
For example, in an illustration, the reference number 2X 37 means that two of the parts identified by reference number 37 are indicated.

Contents

Frame and Step Assembly	5
Front Axle Assembly	6
Hydraulic Cylinder Assembly No. 93-6510	8
Hub Assembly No. 119-6003	9
Front Suspension Assembly	10
Seat Base Assembly	11
Seat, Fresh Water Tank and Roll-Over Protection System Assembly	12
Control Console Assembly	14
Brake Pedal Assembly	15
Traction Pedal Assembly	16
Throttle Assembly	17
Dash Panel Assembly	18
Front Fender and Headlight Assembly	19
Engine Mounting and Bell Housing Assembly	20
Muffler and Air Cleaner Assembly	21
Air Cleaner Assembly No. 106-5277	23
Engine Mounting Assembly	24
Fuel Tank Assembly	25
Radiator Assembly	26
Hydraulic Pump and Filter Assembly	28
Piston Pump Assembly No. 117-0685	30
Control Assembly No. 115-4446	32
Tandem Pump Assembly No. 119-5038	33
Hydraulic Tank Assembly	34
Hydraulic Pump and Filter Assembly	35
Pump Control Valve Assembly No. 117-0708	37
Steering Hydraulic Assembly	38
Steer Valve Assembly No. 117-0707	39
Boom Lift Assembly	40
Hydraulic Cylinder Assembly No. 117-0701	41
On-Off Boom Lift Valve No. 117-0702	42
Rear Drive Assembly	43
Planetary Assembly No. 105-4500	45
RH Brake Assembly No. 100-3069	46
LH Brake Assembly No. 100-3070	47
Hydraulic Motor Assembly No. 132-5631	48
Hydraulic Motor Assembly No. 132-5630	49
Electrical Assembly	50
Tank and Saddle Assembly	51
Tank Assembly No. 117-8005	52
Spray Tank Lid Assembly No. 119-9380	53
Bypass Hose Assembly No. 132-4297	54
Tank Mounting and Filter Assembly	55
Filter Assembly No. 130-7096	56
Spray System Hose Assembly	57
Spray Pump and Valve Assembly	59
Pump Assembly No. 117-0713	61
Center Boom Assembly	62
Left and Right Hand Boom Assembly	64
LH Single Turret Body Assembly No. 108-3725	65
Double Turret Body Assembly No. 108-3727	66
RH Single Body Turret Assembly No. 108-3726	67
Agitation Hose Assembly No. 132-4309	68
Hydraulic Motor Assembly No. 117-0706	69

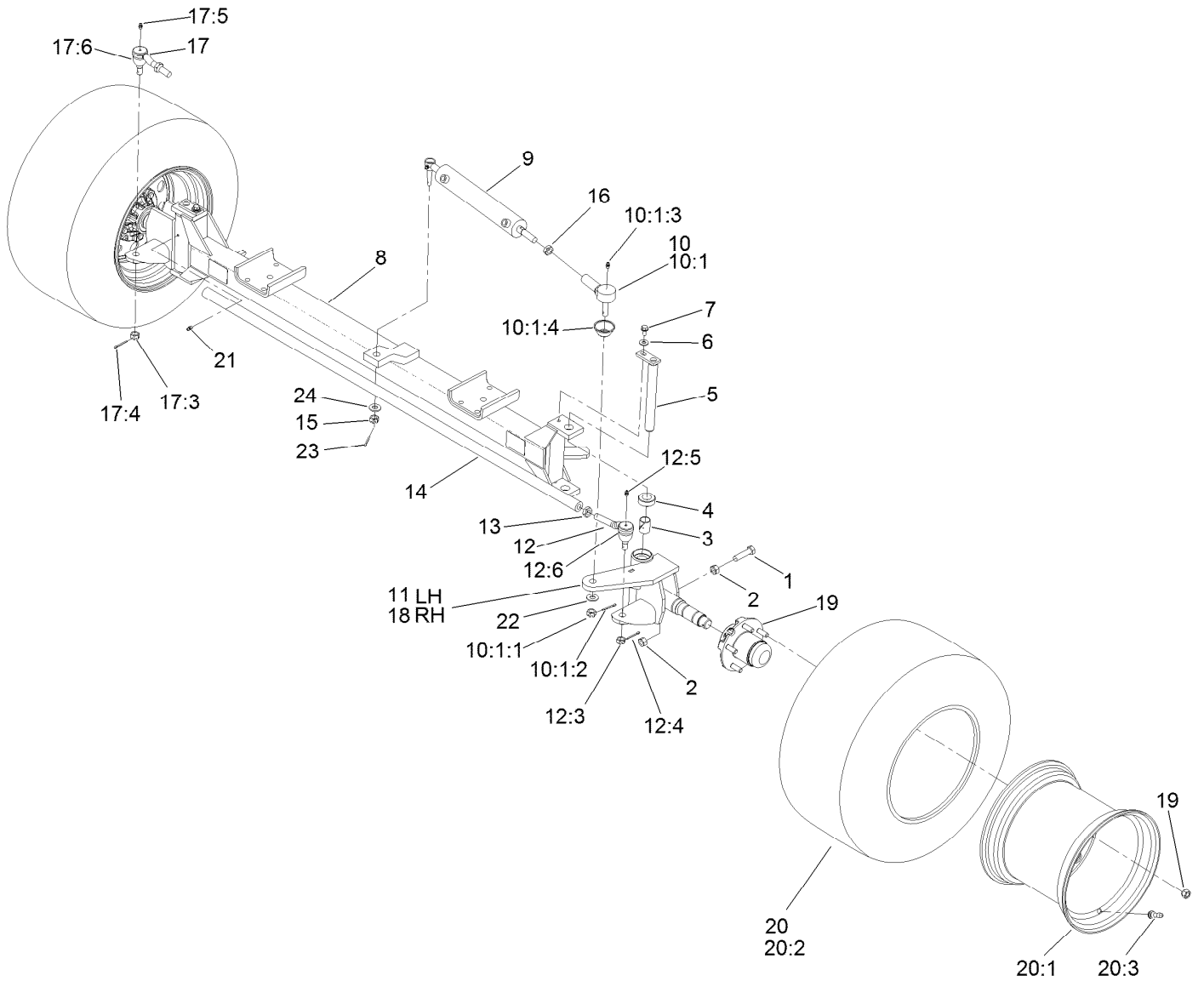
Contents (continued)

On/Off 2-Way Valve Kit No. 131-0249	70
Flow Meter Assembly No. 106-1038	71
Spray Manifold Assembly	72
On/Off Manifold Valve Kit No. 127-9803	73
Pressure Filter Assembly No. 131-3791	74
Bypass Valve Assembly No. 127-9805	75
On/Off Actuator Kit No. 131-3723	76
Manifold Valve Kit No. 131-0253	77
Manifold Valve Kit No. 131-7256	78
Crankcase Assembly	79
Oil Pan Assembly	80
Cylinder Head Assembly	81
Gear Case and Oil Filter Cartridge Assembly	82
Cylinder Head Cover Assembly	83
Oil Dipstick and Guide Assembly	84
Main Bearing Case Assembly	85
Cam Shaft and Idle Gear Assembly	86
Piston and Crankshaft Assembly	87
Flywheel and Sensor Switch Assembly	88
Ignition Coil and Delivery Pipe Assembly	89
Engine Covers Assembly	90
Solenoid Cover and Hydraulic Pump Cover	91
Alternator, Pulley and Fan Assembly	92
Alternator Components	93
Starter Installation Assembly	94
Starter Components Assembly	95
Water Flange and Thermostat Assembly	96
Water Pump Assembly	97
Valve and Rocker Arm Assembly	98
Inlet Manifold Assembly	99
Exhaust Manifold Assembly	100
Wire Harness Assembly	101
Electronic Control Unit Assembly	102
Miscellaneous Engine Parts	103
Attachments and Accessories	104



Frame and Step Assembly

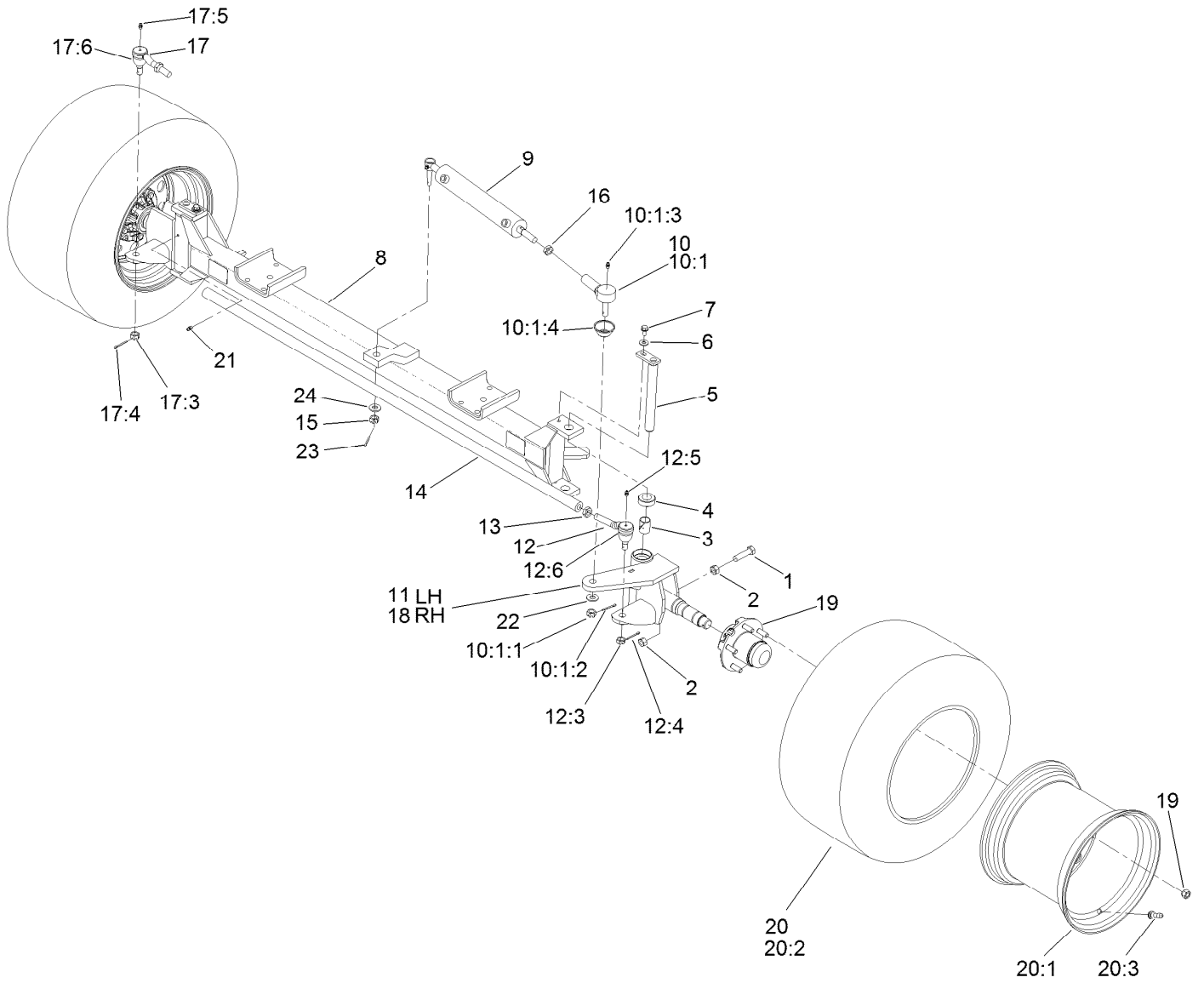
<i>Ref.</i>	<i>Part Number</i>	<i>Qty.</i>	<i>Description</i>	<i>Ref.</i>	<i>Part Number</i>	<i>Qty.</i>	<i>Description</i>
1	130-7070-03	1	Frame	17:2	127-6978	1	Tread-Pad, Step
2	104-8863	1	Tread-Floor	18	107-3395	1	Washer-Hardened
4	120-0623	3	Decal-Tie Down, Towing	19	325-20	1	Screw-HH
5	107-8667	2	Decal-Jacking	20	99-5107	1	Nut-Lock
6	107-8724	1	Decal-Traction	21	3256-22	2	Washer-Flat
8	119-0599	1	Trim-Seal	22	321-50	2	Screw-HH
12	107-8732	2	Decal-Torque (CE)	23	32128-33	2	Nut-HF
13	107-8731	2	Decal-Torque (CE)	24	131-5751	1	Foam-Seal
14	240-6	1	Grommet-Rubber	25	131-5752	1	Foam-Seal
15	127-2928-03	1	Bracket-Spacer, Step	26	131-5753	1	Foam-Seal
16	127-2929-03	1	Mount-Step, LH	27	131-5754	2	Foam-Seal
17	130-7349	1	Step-Pad				



Front Axle Assembly

Ref.	Part Number	Qty.	Description	Ref.	Part Number	Qty.	Description
1	01-182-0816	2	Bolt-HH	12:4	3272-12	1	Pin-Cotter
2	3217-9	4	Nut-HH	12:5	302-5	1	Fitting-Grease
3	93-6586	4	Bushing	12:6	107-1587	1	Seal
4	93-6587	2	Bearing	13	3218-21	1	Nut-Jam
5	93-6584	2	King Pin ASM	14	93-6588	1	Rod-Steering
6	3256-3	2	Washer-Flat	15	32136-13	1	Nut-SHH
7	32144-14	2	Screw-HWHTF	16	3220-11	2	Nut-Jam
8	121-5087-03	1	Front Axle ASM	17	87-1480-03	1	End-Tie Rod, RH
9	93-6510	1	Cylinder ASM	17:3	32136-3	1	Nut-SHH
10	93-6509-03	1	Tie Rod End ASM	17:4	3272-12	1	Pin-Cotter
10:1		1	End-Tie Rod ●	17:5	302-5	1	Fitting-Grease
10:1:1	32136-3	1	Nut-SHH	17:6	107-1587	1	Seal
10:1:2	3272-12	1	Pin-Cotter	18	117-5897-03	1	Spindle ASM
10:1:3	302-5	1	Fitting-Grease	19	119-6003	2	Hub ASM
10:1:4	106-4901	1	Seal-End, Rod	20	127-1100	2	Wheel And Tire ASM
11	117-5899-03	1	LH Spindle Housing ASM	20:1	125-5899	1	Wheel
12	87-1470-03	1	End-Tie Rod, LH	20:2	120-2114	1	Tire-Smooth
12:3	32136-3	1	Nut-SHH	20:3	232-27	1	Stem-Valve

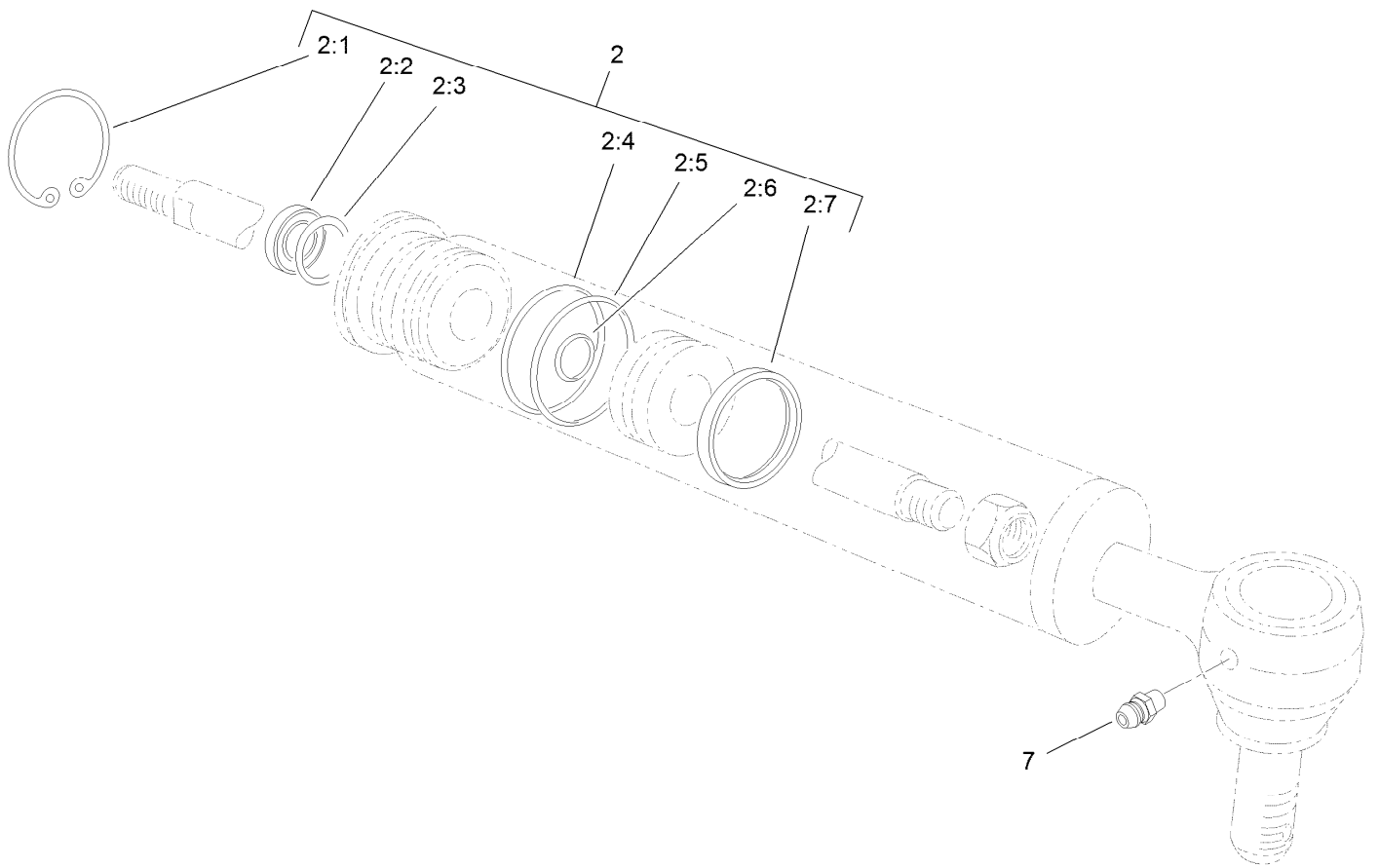
● Not serviced separately



Front Axle Assembly (continued)

<i>Ref.</i>	<i>Part Number</i>	<i>Qty.</i>	<i>Description</i>	<i>Ref.</i>	<i>Part Number</i>	<i>Qty.</i>	<i>Description</i>
21	302-5	2	Fitting-Grease	23	3272-12	1	Pin-Cotter
22	87-7270	1	Washer-Thrust	24	119-1868	1	Washer

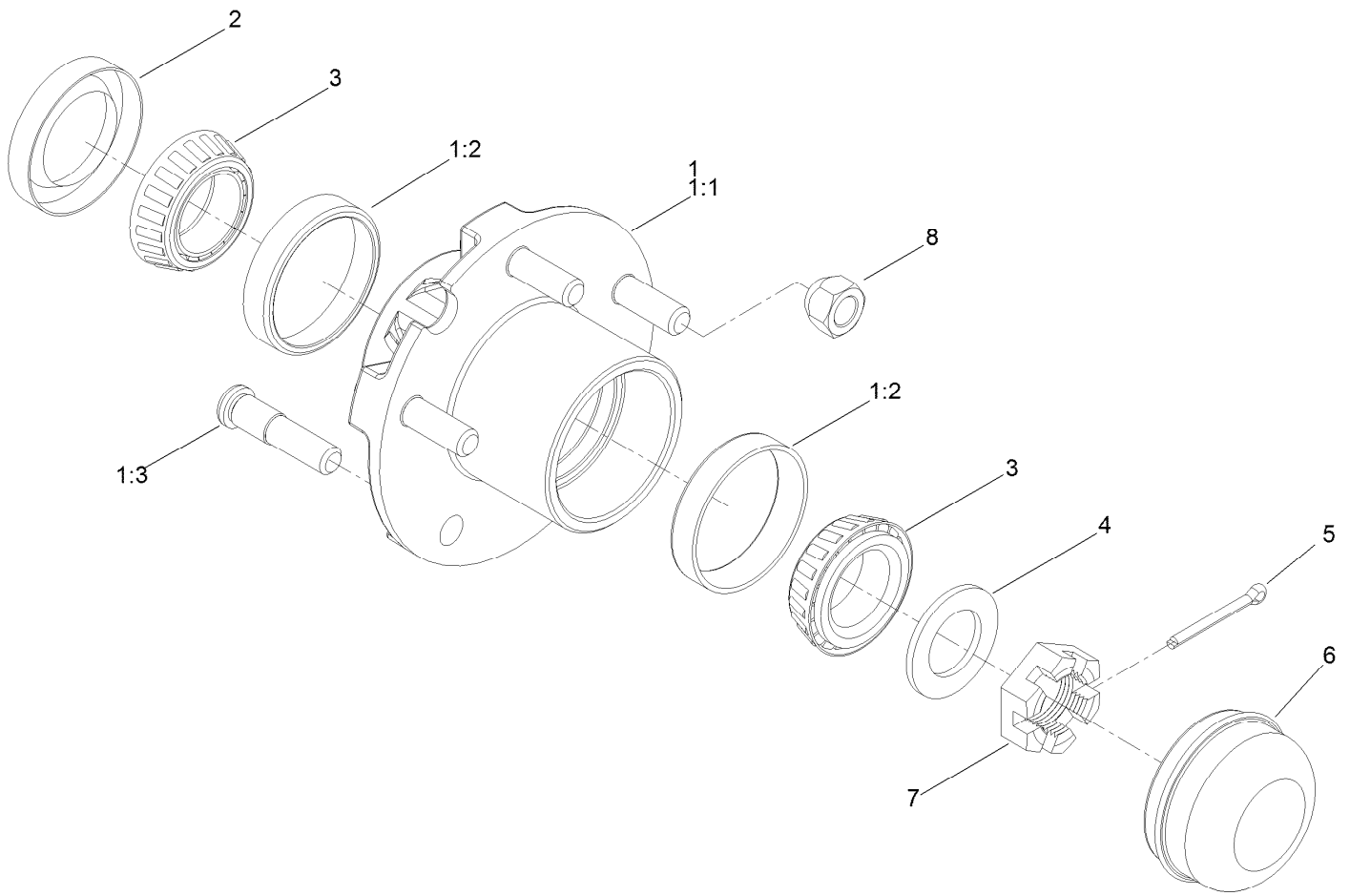
● Not serviced separately



Hydraulic Cylinder Assembly No. 93-6510

<i>Ref.</i>	<i>Part Number</i>	<i>Qty.</i>	<i>Description</i>
2	92-3992	1	Repair Kit
2:1		1	Ring-Retaining ●
2:2		1	Seal-Dust ●
2:3		1	Seal-Rod ●
2:4		1	Ring-Backup ●
2:5		1	O-Ring ●
2:6		1	O-Ring ●
2:7		1	Uniring ●
7	302-5	1	Fitting-Grease

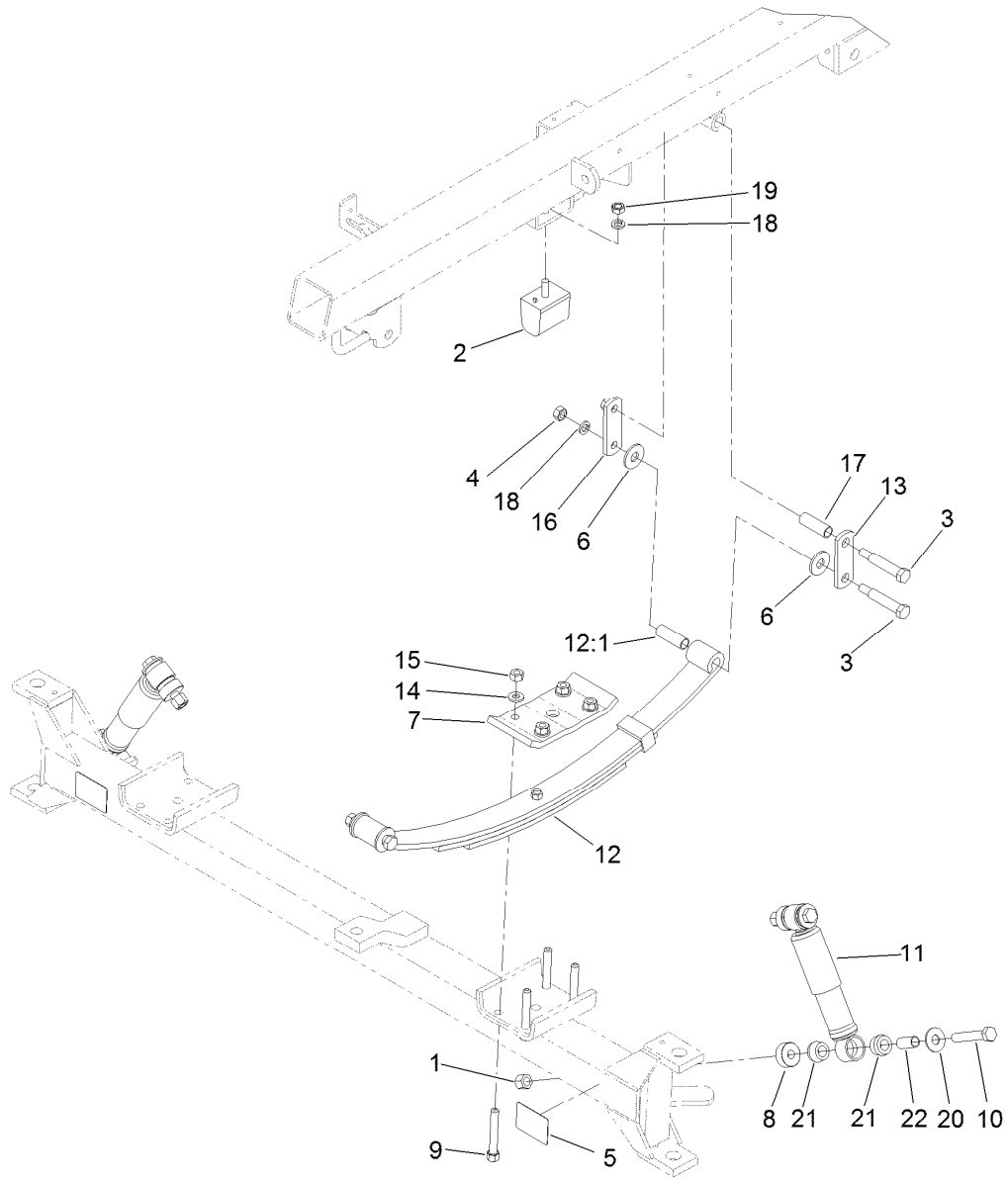
● Not serviced separately



Hub Assembly No. 119-6003

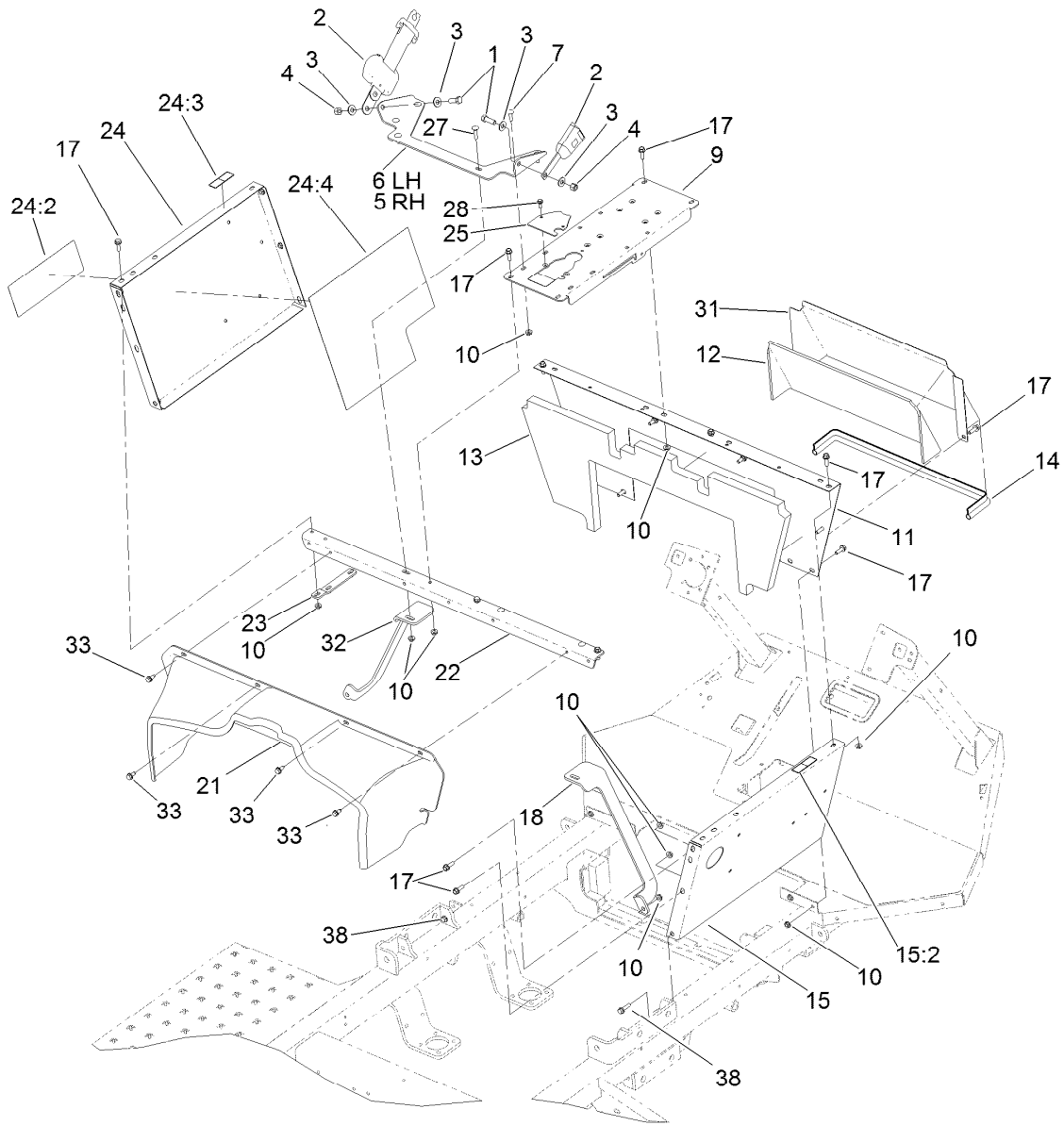
<i>Ref.</i>	<i>Part Number</i>	<i>Qty.</i>	<i>Description</i>
1	119-6001	1	Hub ASM
1:1		1	Hub ●
1:2	115-9471	2	Bearing-Cup
1:3	69-2990	5	Stud-Wheel
2	94-7285	1	Seal
3	254-62	2	Bearing-Roller, Cone
4	85-5770	1	Washer-Thrust
5	3272-18	1	Pin-Cotter
6	119-6004	1	Cap-Dust
7	119-6005	1	Nut-Slotted, Hex
8	242-35	5	Nut-Wheel

● Not serviced separately



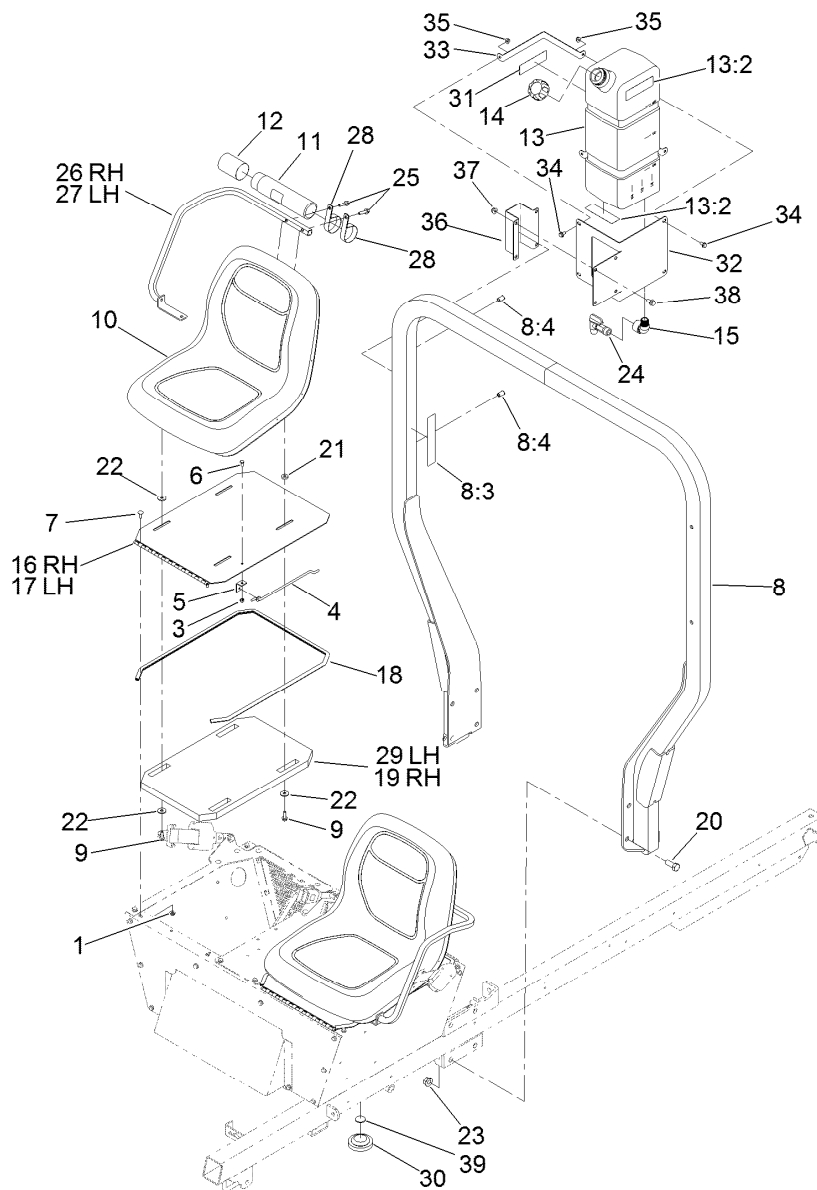
Front Suspension Assembly

<i>Ref.</i>	<i>Part Number</i>	<i>Qty.</i>	<i>Description</i>	<i>Ref.</i>	<i>Part Number</i>	<i>Qty.</i>	<i>Description</i>
1	3296-23	4	Nut-Lock, NI	12:1	119-9437	2	Bushing-Spring, Leaf
2	87-3470	2	Bumper	13	42574	2	Shackel-Outside
3	110-5072	6	Bolt-Shoulder	14	87-7480	8	Washer
4	3217-8	6	Nut-Hex	15	106-0327	8	Nut-Hex
5	107-8667	2	Decal-Jacking	16	42576	2	Shackel-Inside
6	93-6161	8	Washer	17	42592	2	Bushing-Shackle
7	121-5089-03	2	Plate-Top, Spring	18	3253-6	8	Washer-Lock
8	127-2913	4	Spacer	19	93-6166	2	Nut-Hex
9	26-0672	8	Bolt-Blade	20	3256-6	4	Washer-Flat
10	325-12	4	Screw-HH	21	87-3920	8	Bushing
11	121-9774	2	Absorber-Shock	22	127-2925	4	Sleeve
12	99-0570	2	Spring-Leaf				



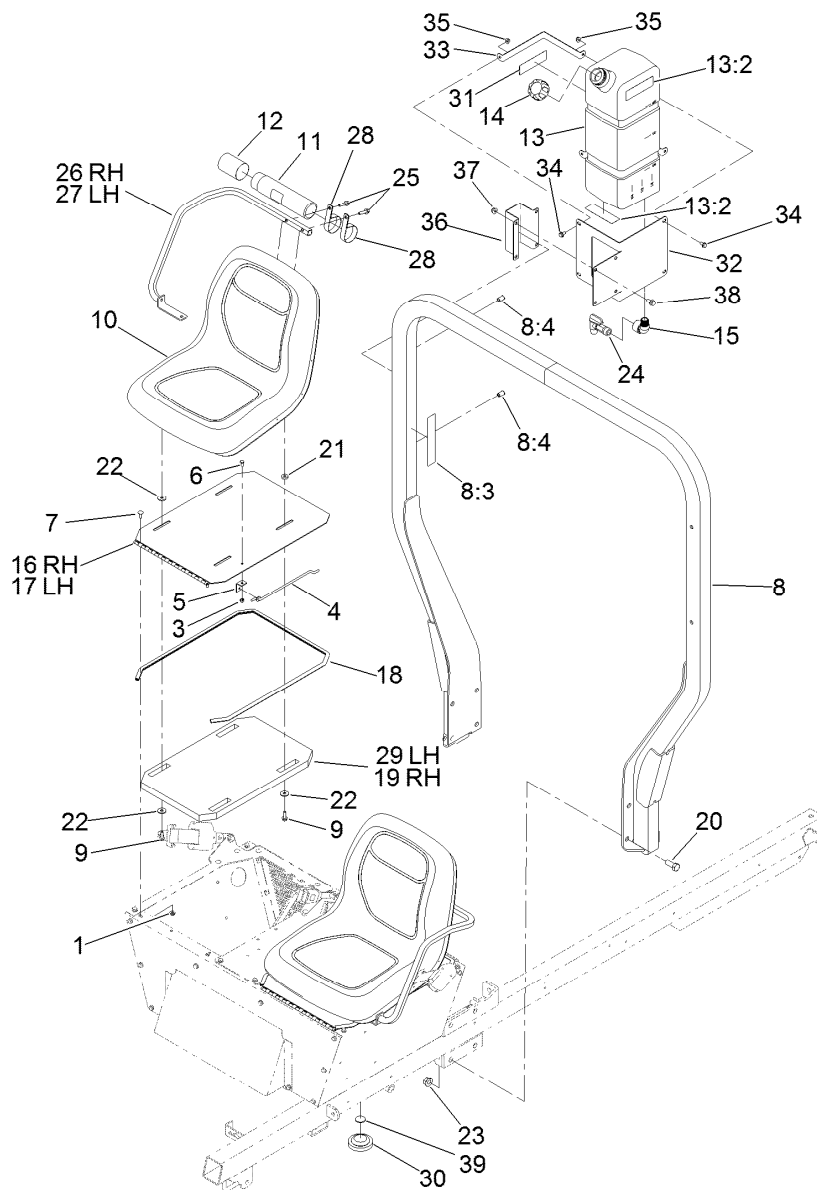
Seat Base Assembly

<i>Ref.</i>	<i>Part Number</i>	<i>Qty.</i>	<i>Description</i>	<i>Ref.</i>	<i>Part Number</i>	<i>Qty.</i>	<i>Description</i>
1	324-5	4	Screw-HH	18	107-8729-03	1	Support-RH
2	110-0413	2	Seatbelt-Retractable	21	132-7660	1	Cover-Engine
3	3256-4	8	Washer-Flat	22	119-5025-03	1	Angle-Seat Box
4	3296-48	4	Nut-Lock, NI	23	95-2264-03	2	Strap-Support, Belt
5	121-5071-03	1	Bracket-Seat Belt, RH	24	131-5788	1	LH Seat Box Panel ASM
6	121-5072-03	1	Bracket-Seat Belt, LH	24:2	120-0619	1	Decal-Warning
7	3230-22	10	Screw-CARR	24:3	120-0625	1	Decal-Warning, Pinch Point
9	132-7667-03	1	Base-Console	24:4	131-5806	1	Shield-Heat Tape, Seatbase (LH)
10	32128-20	38	Nut-HF	25	132-7705-03	1	Retainer-Harness, Base
11	130-7107-01	1	Panel-Front, Seatbase	27	3230-3	2	Screw-CARR
12	130-7132	1	Barrier-Noise, Access Panel	28	119-4012	2	Screw-HWHTF
13	130-7135	1	Barrier-Noise, Front Panel	31	130-7119-01	1	Panel-Access, Seatbase
14	131-3282	1	Trim	32	107-8730-03	1	Support-LH
15	130-7104	1	Panel-Seatbase, RH	33	32144-70	4	Screw-HWHTF
15:2	120-0625	1	Decal-Warning, Pinch Point	38	3234-36	2	Screw-HHF
17	3234-17	20	Screw-HHF				



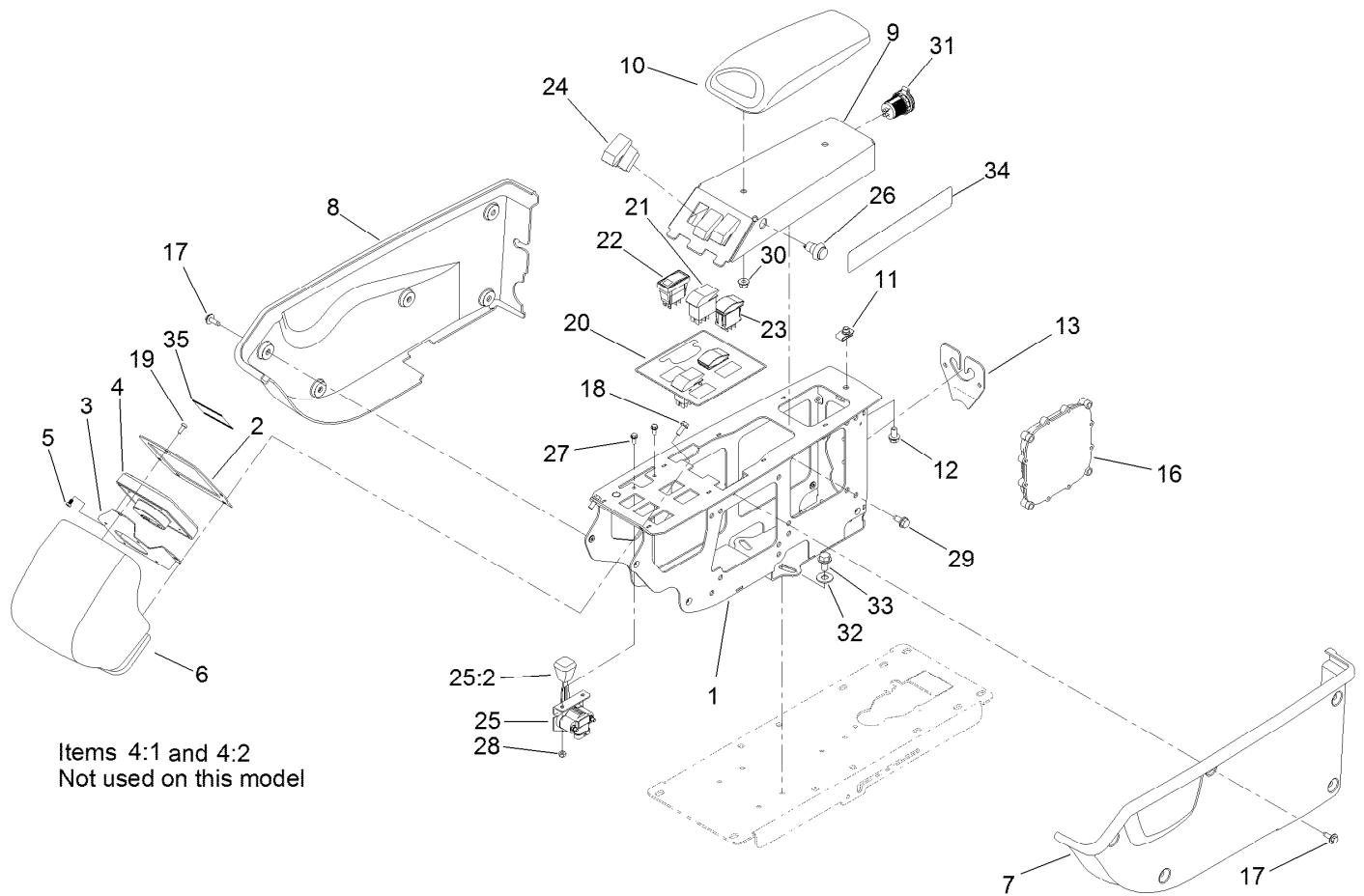
Seat, Fresh Water Tank and Roll-Over Protection System Assembly

<i>Ref.</i>	<i>Part Number</i>	<i>Qty.</i>	<i>Description</i>	<i>Ref.</i>	<i>Part Number</i>	<i>Qty.</i>	<i>Description</i>
1	32128-20	4	Nut-HF	18	94-7085	2	Trim
3	3296-42	2	Nut-Lock, NI	19	108-3290	1	Barrier-Noise, Seat
4	94-7204	2	Rod-Prop, Seat	20	327-4	8	Screw-HH
5	94-7203	2	Bracket	21	7-0081	6	Washer-Flat
6	321-3	2	Screw-HH	22	52-2861	10	Washer
7	3230-23	4	Screw-CARR	23	32128-50	8	Nut-Flange
8	119-0589	1	ROPS ASM	24	100-7011	1	Spigot-90 DEG
8:3	117-4955	1	Decal-Danger, ROPS (CE)	25	33104-035	4	Screw-HHF
8:4	32148-10	2	Nut-Clinch	26	119-0732-03	1	Armrest-RH
9	33104-025	8	Screw-HHF	27	119-0731-03	1	Armrest-LH
10	112-2923	2	Seat ASM	28	2412-133	2	Clamp-R
11	104-7050	1	Tube-Manual	29	132-7666	1	Barrier-Noise, Seat
12	104-7048	1	Cap-Housing	30	100-3524	1	Switch-Seat
13	132-7745	1	Fresh Water Tank ASM	31	120-0616	1	Decal-Water, Fresh
13:2	120-0616	3	Decal-Water, Fresh	32	132-5619-03	1	Mount-Tank, Eye Wash
14	106-5052	1	Cap-Water, Fresh	33	132-7628-03	2	Band-Tank, Eye Wash
15	132-7706	1	Elbow-90DEG	34	3234-7	4	Screw-HHF
16	108-3289-03	1	Panel-Seat, RH	35	104-8300	4	Nut-HF, NI
17	132-7664-03	1	Panel-Seat, LH				



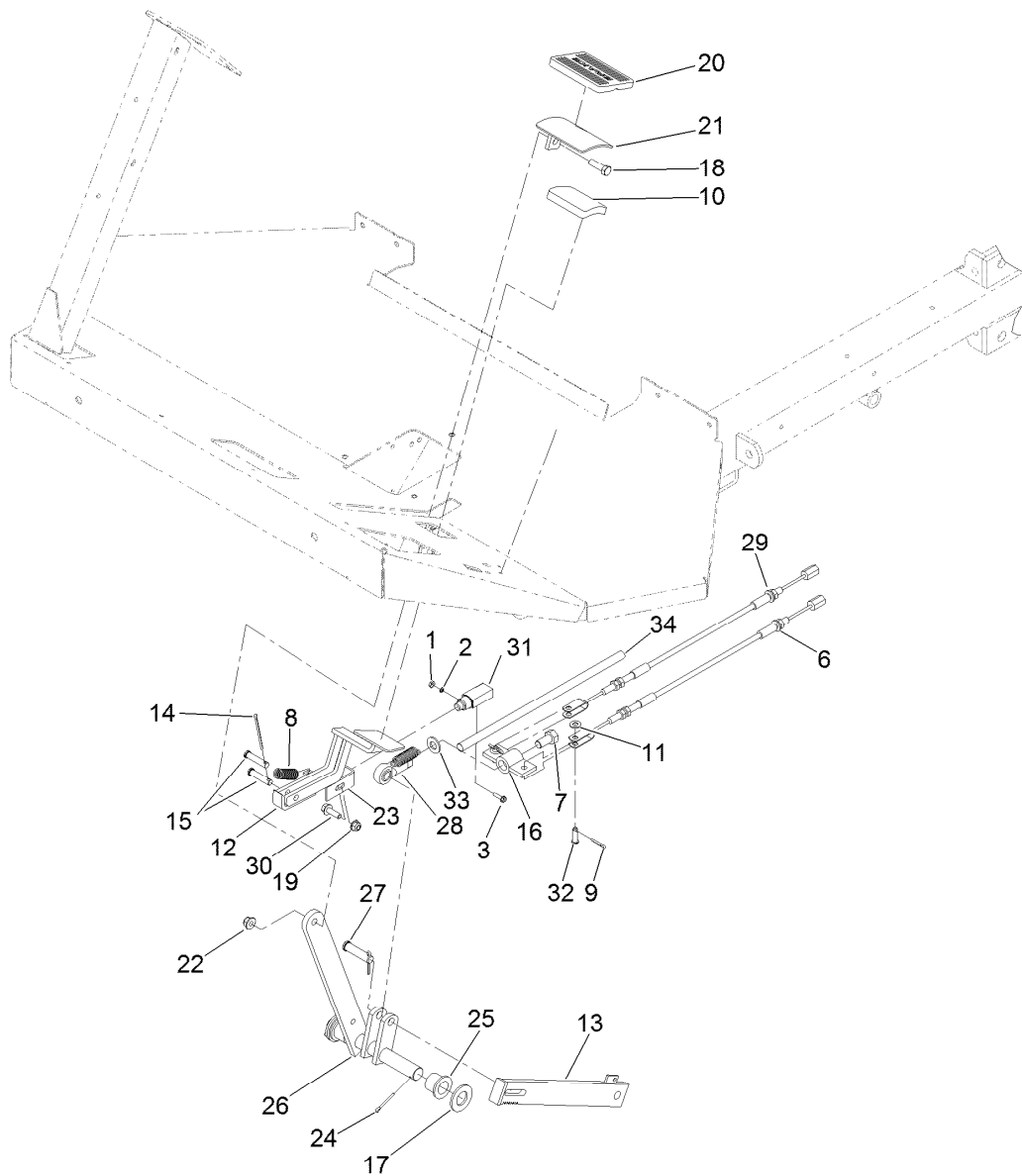
Seat, Fresh Water Tank and Roll-Over Protection System Assembly (continued)

<i>Ref.</i>	<i>Part Number</i>	<i>Qty.</i>	<i>Description</i>	<i>Ref.</i>	<i>Part Number</i>	<i>Qty.</i>	<i>Description</i>
36	132-7627-03	1	Clamp-Bracket, Fresh Water Tank	38	3234-1	4	Screw-HHF
37	104-8301	4	Nut-HF, NI	39	133-2797	1	Disc-Plunger



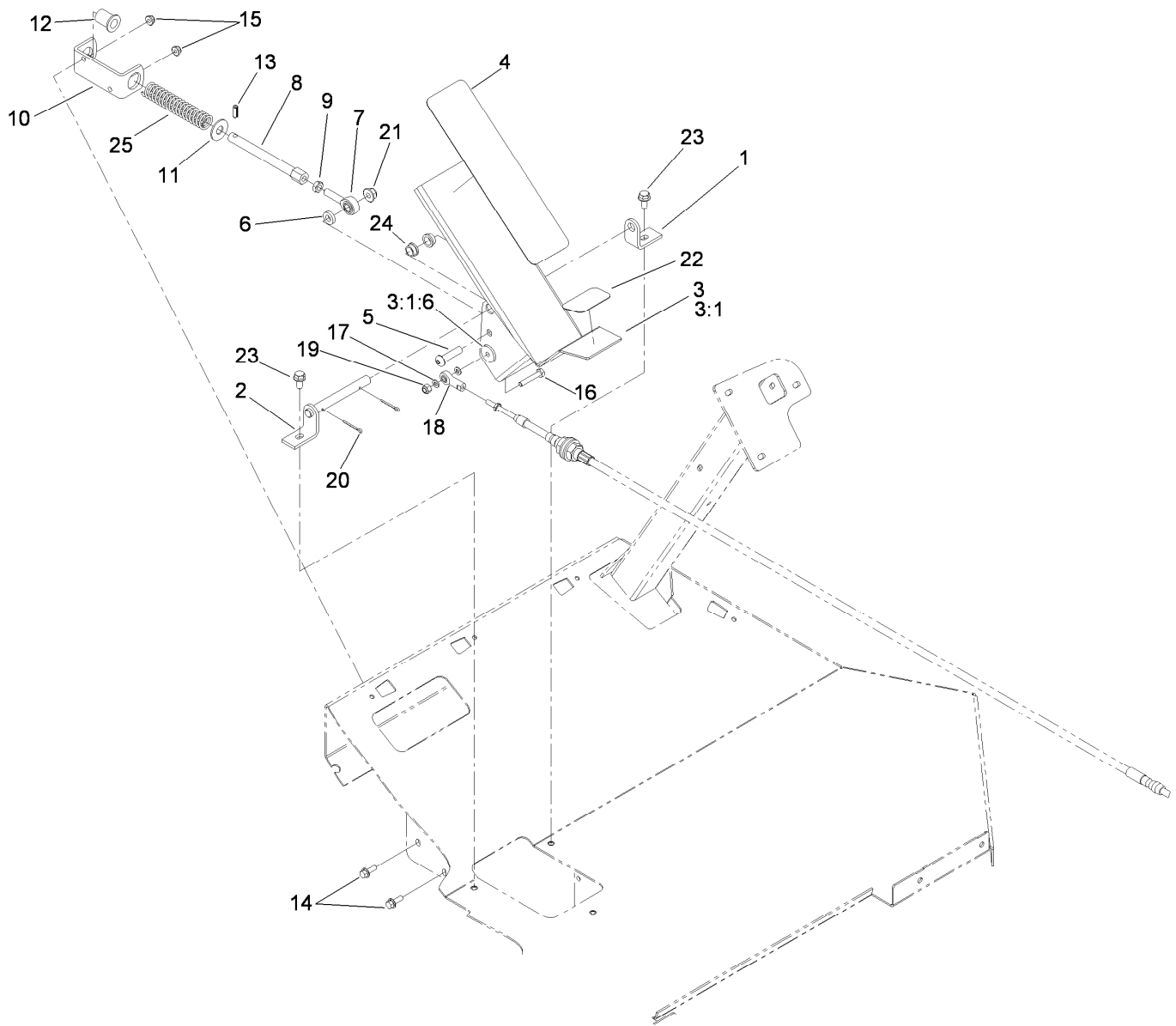
Control Console Assembly

Ref.	Part Number	Qty.	Description	Ref.	Part Number	Qty.	Description
1	132-5640-03	1	Frame-Console	20	132-7695	1	Decal-Console
2	132-7615-03	1	Plate-Monitor	21	100-8490	2	Switch-Rocker, On-None-On
3	132-7610-03	1	Retainer-Monitor	22	104-9007	1	Switch-Rocker
4	125-5320	1	Infocenter	23	100-1535	2	Switch, (On)-Off-(On)
4:1	115-8884	4	Nut-Thumb	24	95-8999	3	Switch
4:2	115-8885	4	Stud	25	122-0111	1	Throttle-Electronic
5	132-7668	4	Screw-PPH	25:2	66-0120	1	Knob
6	132-7617	1	Hood-Console	26	125-7996	1	Switch-Pb, Momentary
7	132-7611	1	Cover-LH	27	3290-321	2	Screw-HWH
8	132-7612	1	Cover-RH	28	3296-2	2	Nut-Lock, NI
9	132-5645-03	1	Panel-Arm	29	32144-70	4	Screw-HWHTF
10	131-9637	1	Armrest-Quick Find	30	104-8300	2	Nut-HF, NI
11	112-3306	1	Nut	31	131-8388	1	Socket-USB
12	3234-14	1	Screw-HHF	32	3256-4	3	Washer-Flat
13	132-7704-03	1	Retainer-Harness, Console	33	110-9380	3	Screw-HWH
16	114-3321	1	Controller-Tec	34	132-7786	1	Decal-Quickfind
17	119-4012	12	Screw-HWHTF	35	114-5554	1	Decal-Center, Info
18	32144-85	2	Screw-HWH				
19	3250-12	3	Screw-PPH				



Brake Pedal Assembly

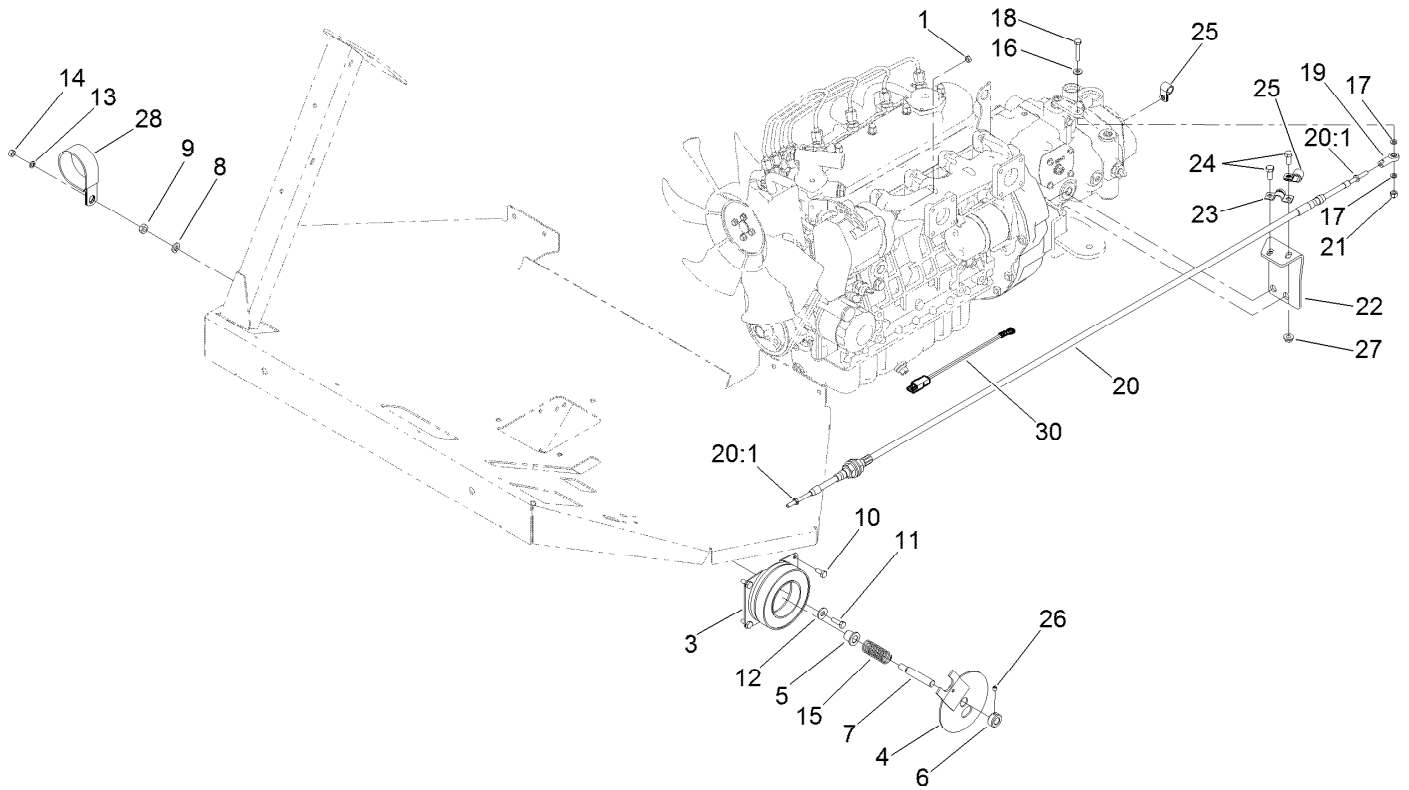
Ref.	Part Number	Qty.	Description	Ref.	Part Number	Qty.	Description
1	3217-26	2	Nut-Hex	19	104-8300	1	Nut-HF, NI
2	3253-17	2	Washer-Lock	20	7-3900	1	Pad-Brake
3	32105-13	2	Screw-HWH	21	100-8422-03	1	Bracket-Pedal
6	119-9364	1	Cable-Brake, LH	22	104-8301	1	Nut-HF, NI
7	3213-1	1	Screw-HH	23	93-6592-03	1	Bracket
8	92-0417	2	Spring-EXT	24	3272-12	3	Pin-Cotter
9	3272-10	2	Pin-Cotter	25	94-7164	2	Bearing
10	42719	1	Pad-Pedal	26	93-6589	1	Shaft-Brake
11	3256-23	2	Washer-Plain	27	42195	1	Pin-Clevis
12	93-6599-03	1	Catch	28	522087	1	Rod-End
13	93-6598-03	1	Strap-Brake	29	119-9365	1	Cable-Brake, RH
14	3272-53	1	Pin-Cotter	30	3234-17	1	Screw-HHF
15	283-15	2	Pin-Clevis	31	99-7407	1	Switch
16	93-6595	1	Equalizer-Brake	32	283-58	2	Pin-Clevis
17	3256-29	3	Washer-Flat	33	3256-26	1	Washer-Flat
18	323-7	1	Screw-HH	34	130-7176	1	Sleeve-Thermal, Wrap



Traction Pedal Assembly

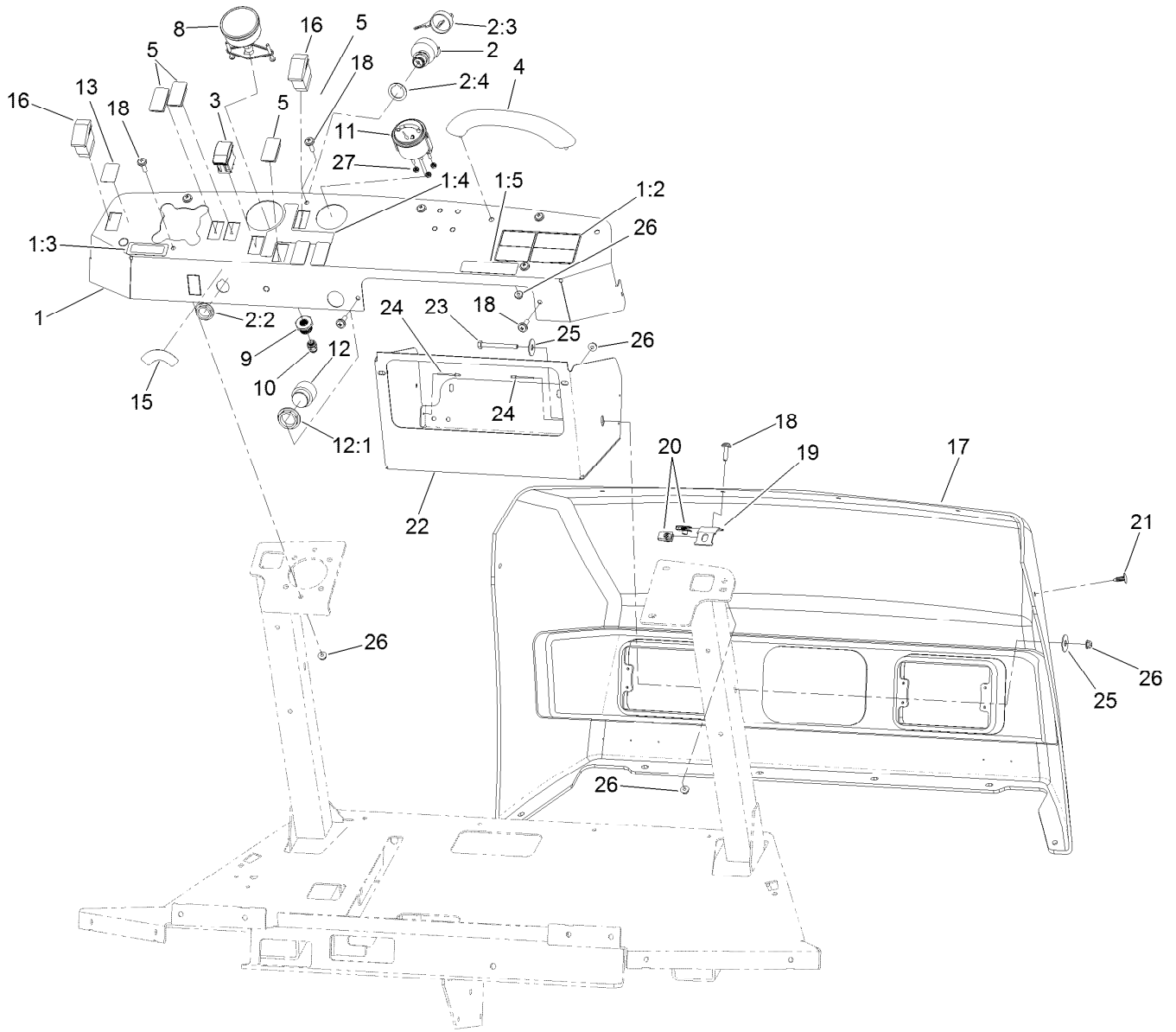
Ref.	Part Number	Qty.	Description	Ref.	Part Number	Qty.	Description
1	92-0450-03	1	Bracket-Pin	13	32121-11	1	Pin-Roll
2	92-0448	1	Pin-Pivot	14	3234-4	2	Screw-HHF
3	106-5247-03	1	Traction Pedal ASM	15	104-7201	2	Nut-HF
3:1		1	Pedal-Traction ●	16	321-9	1	Screw-HH
3:1:6	106-5248	1	Spacer	17	33093-00	2	Washer-Flat
4	71-0440	1	Abrasive-Pedal	18	2411-41	1	Rod End-Ball Joint
5	95-3857	1	Screw-HSBH	19	3296-42	1	Nut-Lock, NI
6	80-7730	1	Spacer	20	3272-7	2	Pin-Cotter
7	2411-36	1	Bearing-End, Rod	21	104-8301	1	Nut-HF, NI
8	92-7609	1	Shaft-Spring	22	71-0450	1	Abrasive-Pedal, Rear
9	3220-3	1	Nut-HJ	23	3234-14	2	Screw-HHF
10	92-7608-03	1	Bracket-Spring	24	256-156	2	Bushing-Flange
11	3256-5	1	Washer-Flat	25	84-9100	1	Spring
12	92-7610	1	Retainer-Spring				

● Not serviced separately



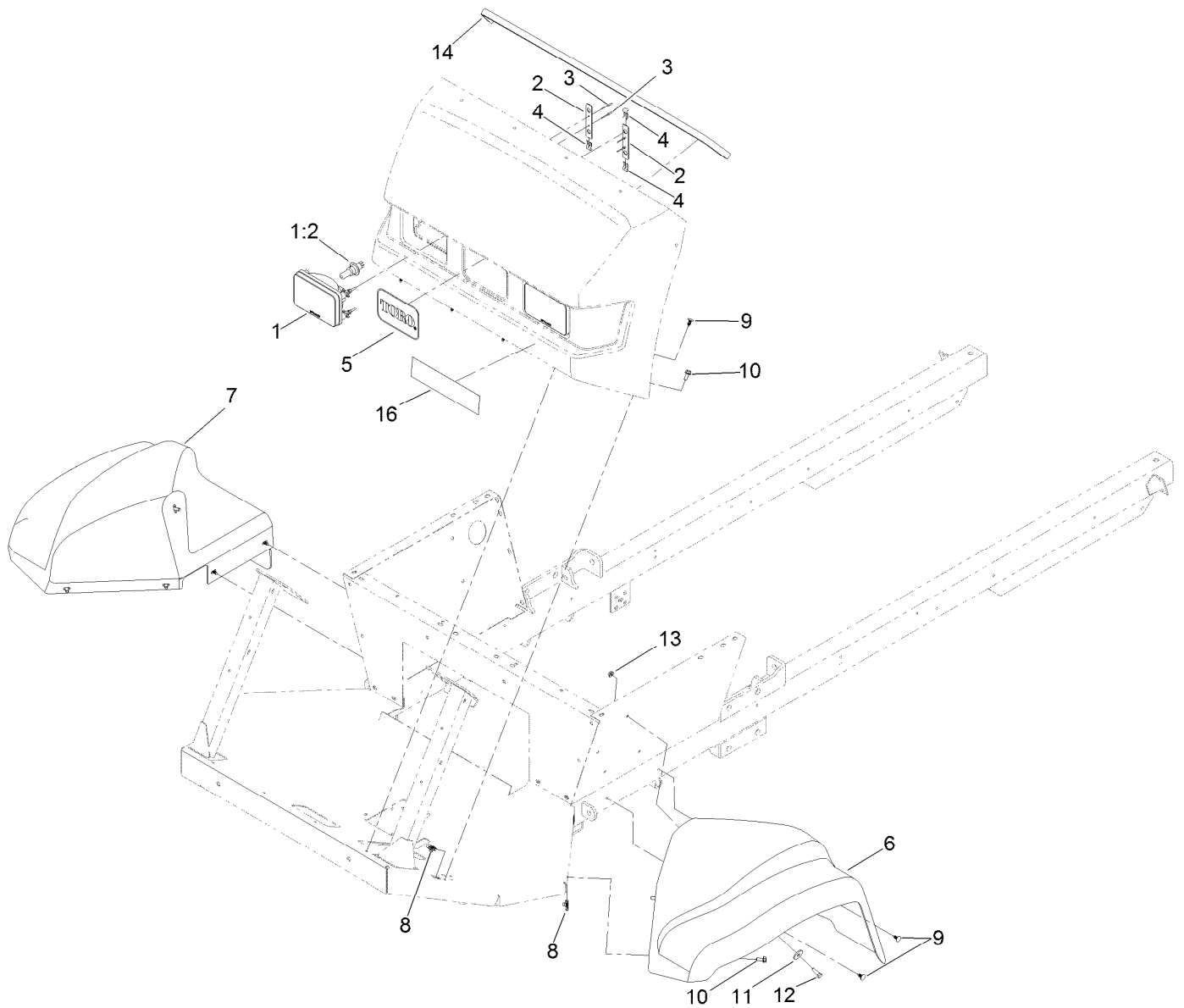
Throttle Assembly

<i>Ref.</i>	<i>Part Number</i>	<i>Qty.</i>	<i>Description</i>	<i>Ref.</i>	<i>Part Number</i>	<i>Qty.</i>	<i>Description</i>
1	33013-00	1	Nut-Hex	17	33093-00	2	Washer-Flat
3	42-1720	1	Core-Field, Coil	18	321-9	1	Screw-HH
4	43-6110-03	1	Plate-Clutch	19	2411-41	1	Rod End-Ball Joint
5	256-273	1	Bushing-Flange	20	106-5233	1	Cable-Traction
6	43-6320	1	Collar	20:1	3220-1	2	Nut-Jam
7	69-9170	1	Shaft-Cruise	21	3296-42	1	Nut-Lock, NI
8	3253-5	1	Washer-Lock	22	119-9359	1	Bracket-Cable, Rear
9	3217-7	1	Nut-Hex	23	93-2092	1	Clamp-Cable
10	321-3	3	Screw-HH	24	322-3	2	Screw-HH
11	321-5	1	Screw-HH	25	2412-93	2	Clamp-R
12	3256-3	1	Washer-Flat	26	3245-32	1	Screw-HSH
13	3253-3	4	Washer-Lock	27	32128-20	2	Nut-HF
14	3217-5	4	Nut-Hex	28	2412-102	1	Clamp-R
15	43-6200	1	Spring-Compression	30	108-9455	1	Harness-Wire, Fusible Link
16	3256-22	1	Washer-Flat				



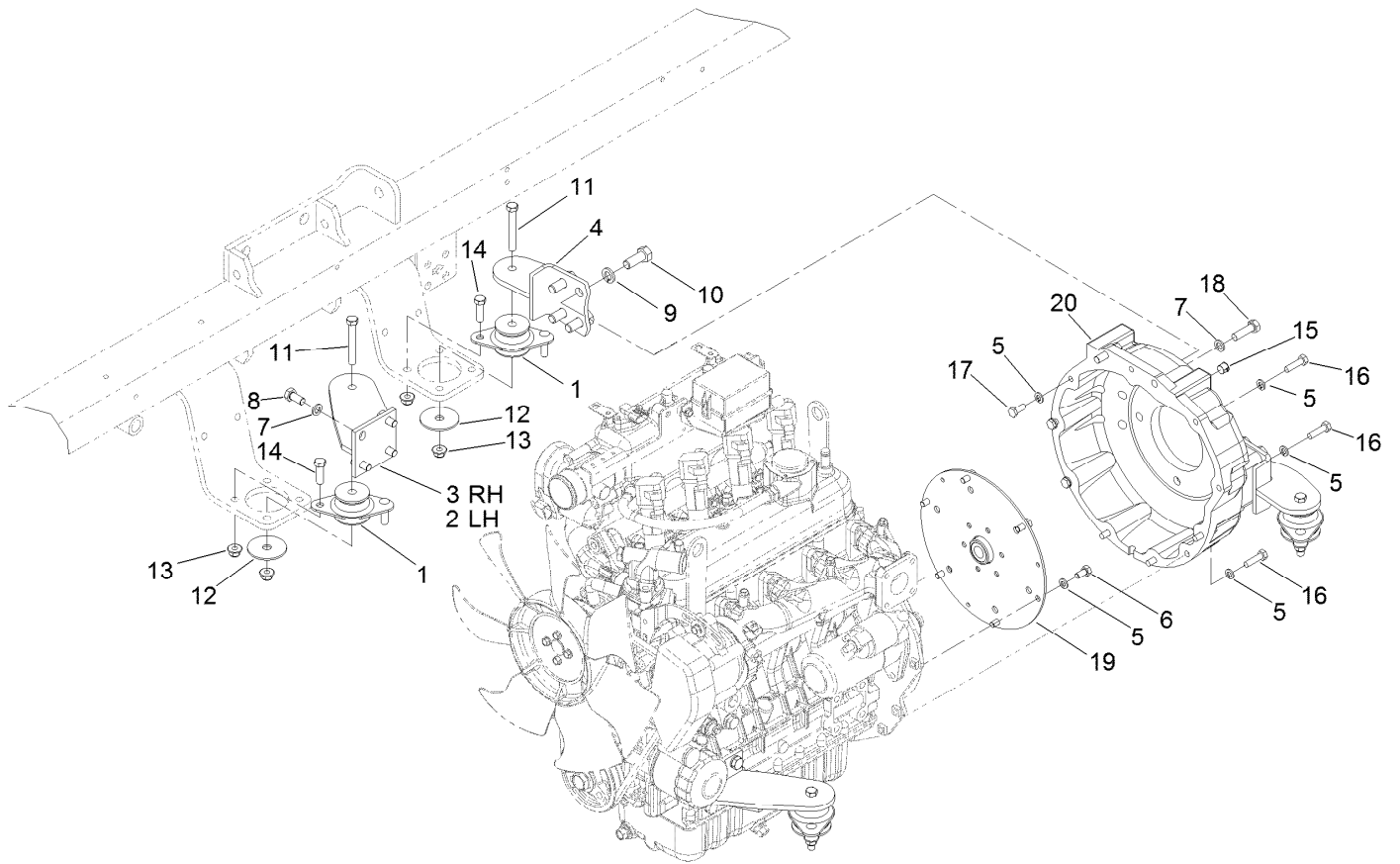
Dash Panel Assembly

Ref.	Part Number	Qty.	Description	Ref.	Part Number	Qty.	Description
1	132-7690	1	Dash Panel ASM	12	80-9330	1	Audio Alarm ASM
1:2	120-0624	1	Decal-Warning, Passenger	12:1	104-5107	1	Nut-Plastic, Knurled
1:3	107-8722	1	Decal-Instructions, Parking Brake	13	132-7708	1	Decal-Lights, Horn
1:4	132-7689	1	Decal-Switch	15	132-7783	1	Decal-Ignition Switch, Gas
1:5	117-2718	1	Decal-Arrester, Spark	16	95-8999	2	Switch
2	106-5269	1	Ignition Switch ASM	17	117-0793	1	Hood
2:2	108-8660	1	Nut-Mounting	18	110-9361	12	Screw-PPH
2:3	106-5270	1	Ignition Key Set	19	117-0735	4	Bracket-Hood
2:4	108-8659	1	Washer-Backup	20	107069	8	Clip
3	100-1535	1	Switch, (On)-Off-(On)	21	117-2382	2	Plug-Plastic
4	117-4948	1	Handle-Grab	22	119-0431-03	1	Compartment-Storage, Middrop
5	99-7420	5	Plug-Hole	23	321-15	1	Screw-HH
8	120-8546	1	Gauge-Pressure	24	3269-32	3	Rivet-Pop
9	100-8665	1	Reducer-Gauge, Pressure	25	52-2860	2	Washer
10	100-8667	1	Coupler-Reducer	26	104-7201	7	Nut-HF
11	132-7614	1	Gauge-Fuel	27	363-1483	3	Nut-Hex, K Lock



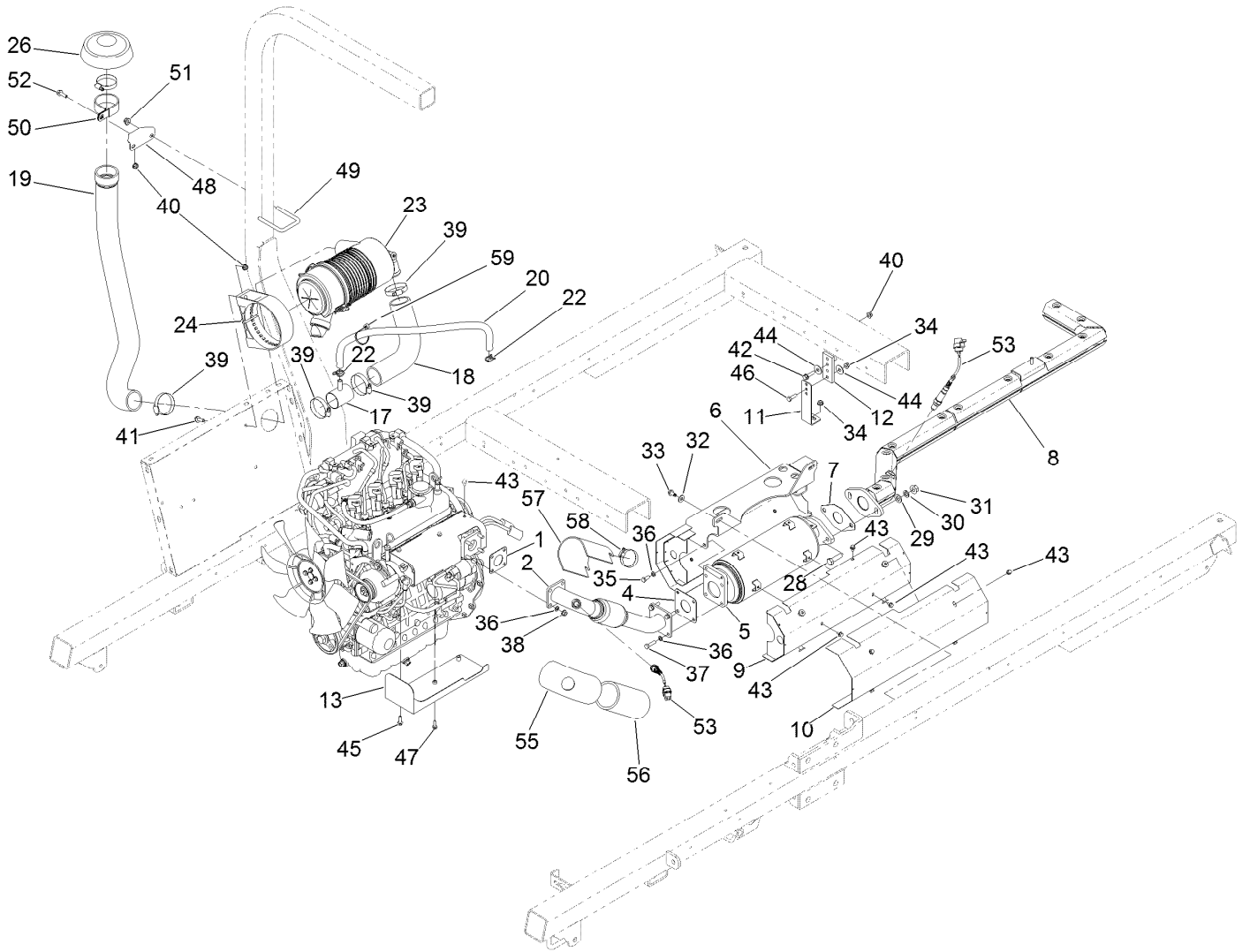
Front Fender and Headlight Assembly

<i>Ref.</i>	<i>Part Number</i>	<i>Qty.</i>	<i>Description</i>	<i>Ref.</i>	<i>Part Number</i>	<i>Qty.</i>	<i>Description</i>
1	114-8322	2	Headlight ASM	8	94-2413	6	Nut-U
1:2	115-2395	1	Bulb-Light	9	117-2382	8	Plug-Plastic
2	117-5832	4	Bracket-Headlight	10	3234-47	6	Screw-HHF
3	3290-274	8	Rivet-Pop	11	63-8410	2	Washer
4	115-2408	6	Clip-Speed	12	322-5	2	Screw-HH
5	62-5550	1	Decal	13	32128-20	2	Nut-HF
6	119-0417	1	Fender	14	119-0504	1	Trim-Hood
7	119-0418	1	Fender	16	131-3309	1	Decal



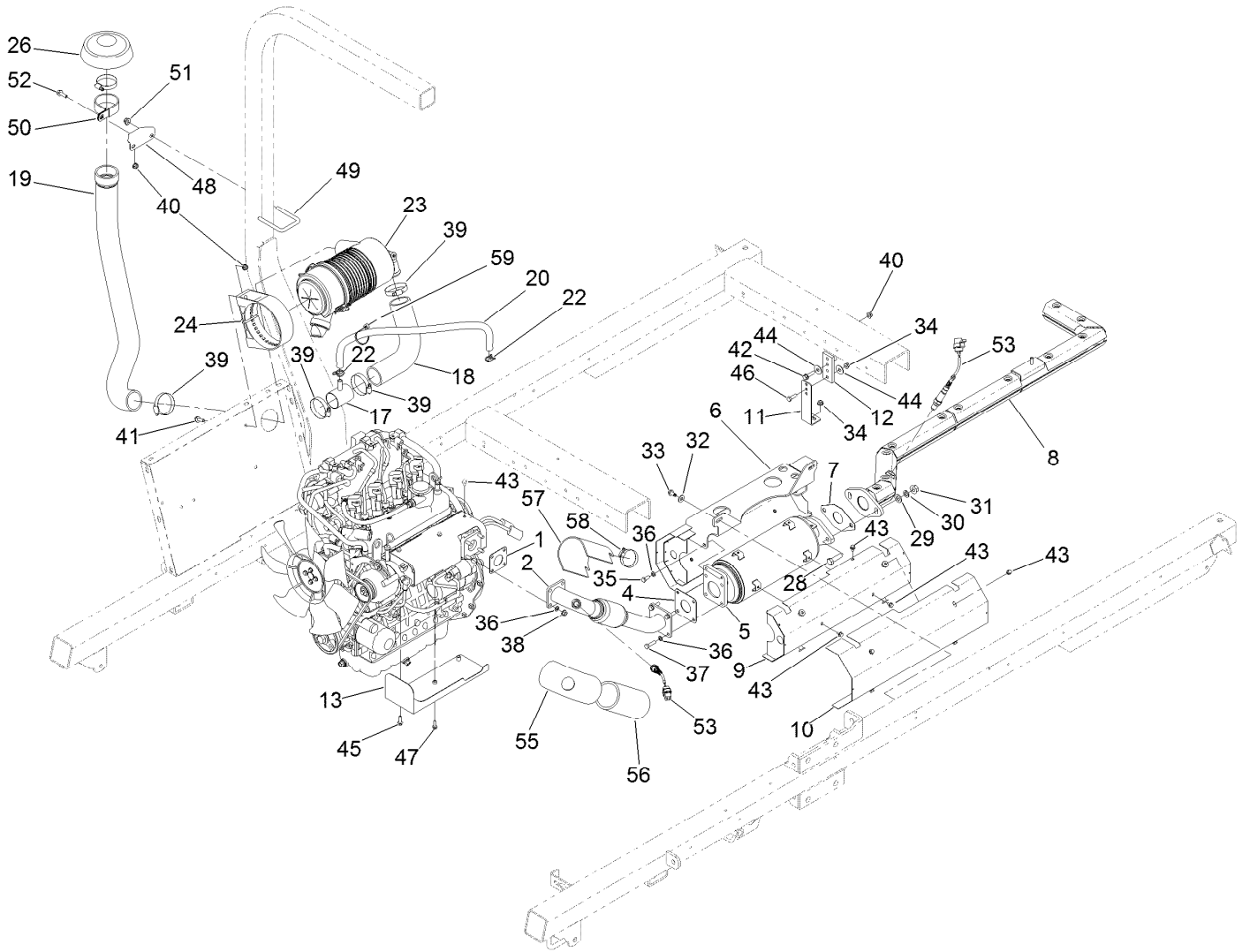
Engine Mounting and Bell Housing Assembly

<i>Ref.</i>	<i>Part Number</i>	<i>Qty.</i>	<i>Description</i>	<i>Ref.</i>	<i>Part Number</i>	<i>Qty.</i>	<i>Description</i>
1	131-1821	4	Mount-Engine	11	323-13	4	Screw-HH
2	117-0667-03	1	Bracket-LH	12	87-5100	4	Washer-Snubbing
3	117-0666-03	1	Bracket-RH	13	104-8301	12	Nut-HF, NI
4	117-0669-03	2	Bracket-Mount, Rear	14	323-7	8	Screw-HH
5	3253-4	15	Washer-Lock	15	119-6039	2	Plug-Plastic
6	99-5132	6	Bolt	16	33114-030	6	Screw-HH
7	48-9590	10	Washer-Lock	17	33114-020	3	Screw-HH
8	63-7790	8	Screw-Cap	18	56-2140	2	Screw-HH
9	3253-7	8	Washer-Lock	19	92-0285	1	Coupling ASM
10	325-5	8	Screw-HH	20	105-0100	1	Housing-Flywheel



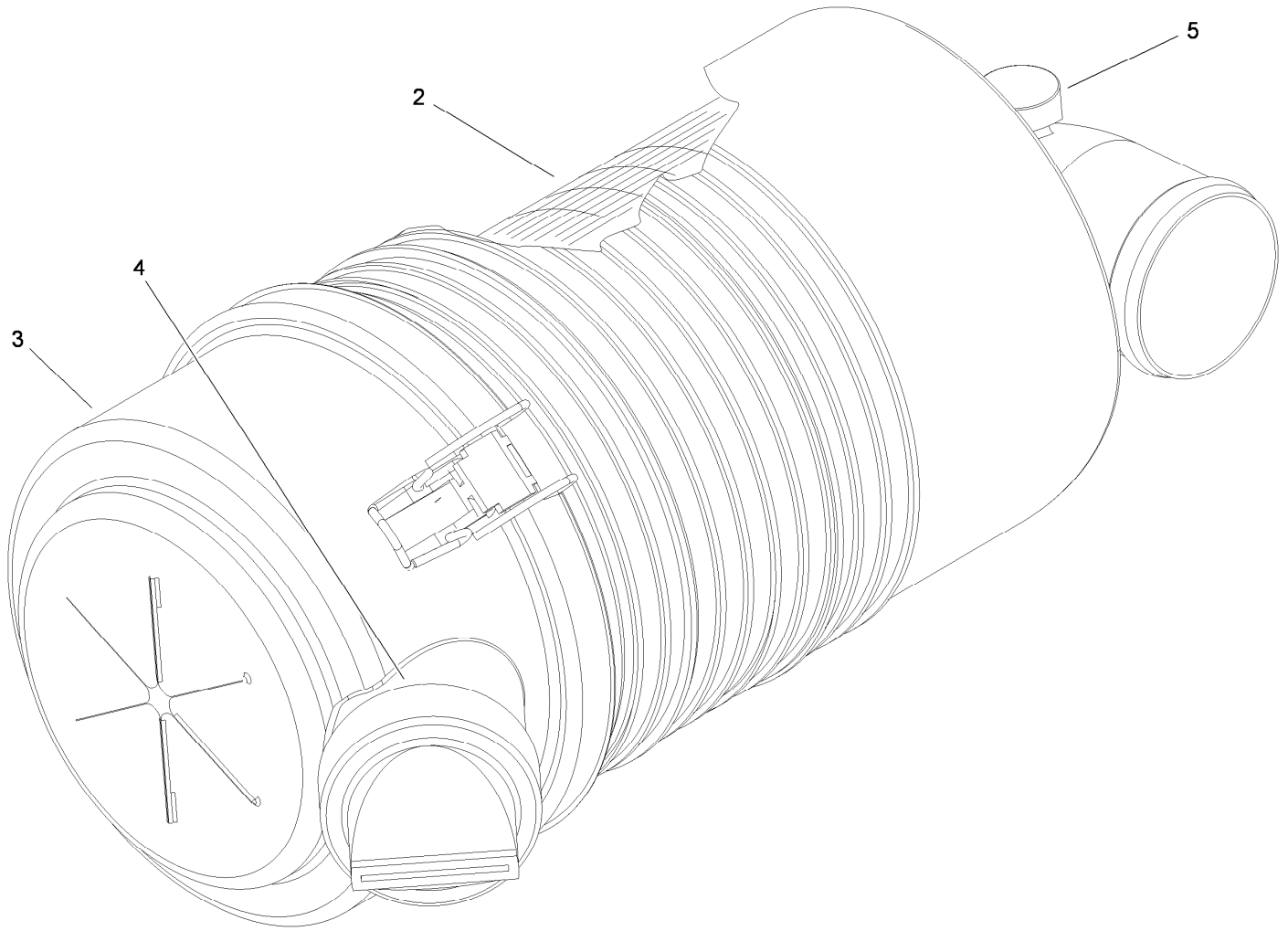
Muffler and Air Cleaner Assembly

Ref.	Part Number	Qty.	Description	Ref.	Part Number	Qty.	Description
1	99-8343	1	Gasket-Muffler	29	33096-00	2	Washer-Flat
2	131-5773	1	Pipe-Header	30	48-8070	2	Washer-Lock
4	121-5590	1	Gasket-Manifold, Outlet	31	33006-00	2	Nut-HF
5	133-2788	1	Catalyst	32	3256-3	2	Washer-Flat
6	127-8935	1	Bracket-Mount, Exhaust	33	32104-32	2	Screw-HWH
7	121-5591	1	Gasket-Outlet, Catalyst	34	32128-25	2	Nut-HF
8	130-7333	1	Pipe-Tail	35	33114-020	4	Screw-HH
9	130-7228	2	Shield-Muffler, Inner	36	3253-4	12	Washer-Lock
10	130-7208	2	Shield-Muffler, Outer	37	33114-030	4	Screw-HH
11	120-8557	1	Bracket-Hanger	38	33004-00	8	Nut-HF
12	117-0744	1	Hanger-Muffler	39	2412-130	5	Clamp-Hose
13	130-7206	1	Shield-Manifold, Bottom	40	104-8300	4	Nut-HF, NI
17	120-5552	1	Vent	41	3234-17	2	Screw-HHF
18	130-7098	1	Hose-Intake	42	119-4036	1	Screw-HHF
19	131-3322	1	Hose-Air Cleaner	43	81-1280	16	Screw-HHF
20	131-5841	1	Hose-Overflow	44	52-2860	2	Washer
22	117-1193	2	Clamp-Hose	45	33103-025	2	Screw-HHF
23	106-5277	1	Air Cleaner ASM	46	322-5	1	Screw-HH
24	98-4525	1	Bracket-Cleaner, Air	47	110-3986	1	Screw
26	27-7180	1	Cap	48	131-3319-03	1	Bracket-Mount, Air Intake
28	33116-040	2	Screw-HH	49	47-3460	1	U-Bolt



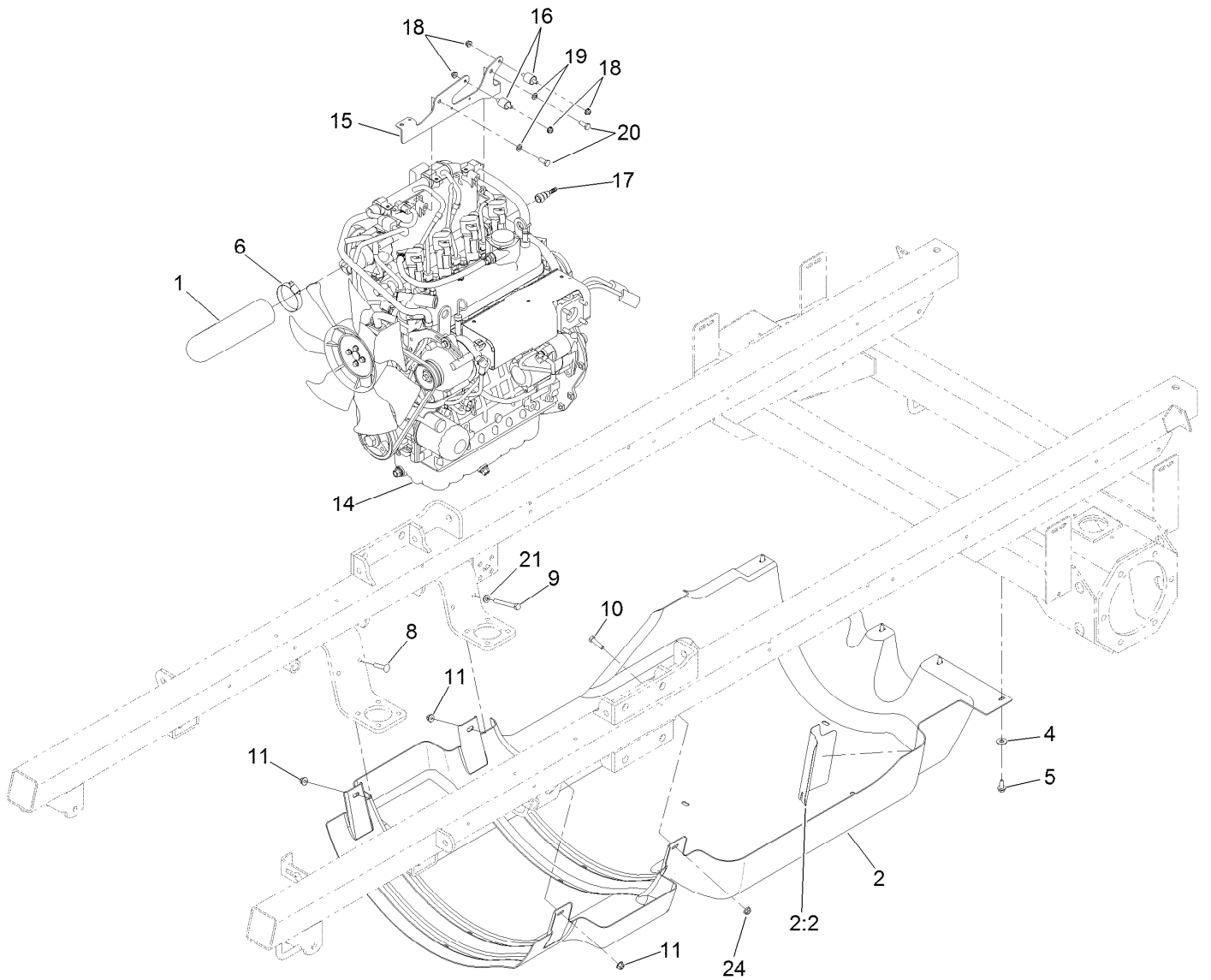
Muffler and Air Cleaner Assembly (continued)

<i>Ref.</i>	<i>Part Number</i>	<i>Qty.</i>	<i>Description</i>	<i>Ref.</i>	<i>Part Number</i>	<i>Qty.</i>	<i>Description</i>
50	2412-102	1	Clamp-R	56	131-9601	1	Jacket-Lower, Header
51	104-8301	2	Nut-HF, NI	57	131-9598	1	Shield-Composite
52	3234-29	1	Screw-HHF	58	131-9613	1	Clamp-Band/Screw
53	120-3832	2	Sensor-Oxygen	59	3290-378	1	Tie-Cable
55	131-9600	1	Jacket-Upper, Header				



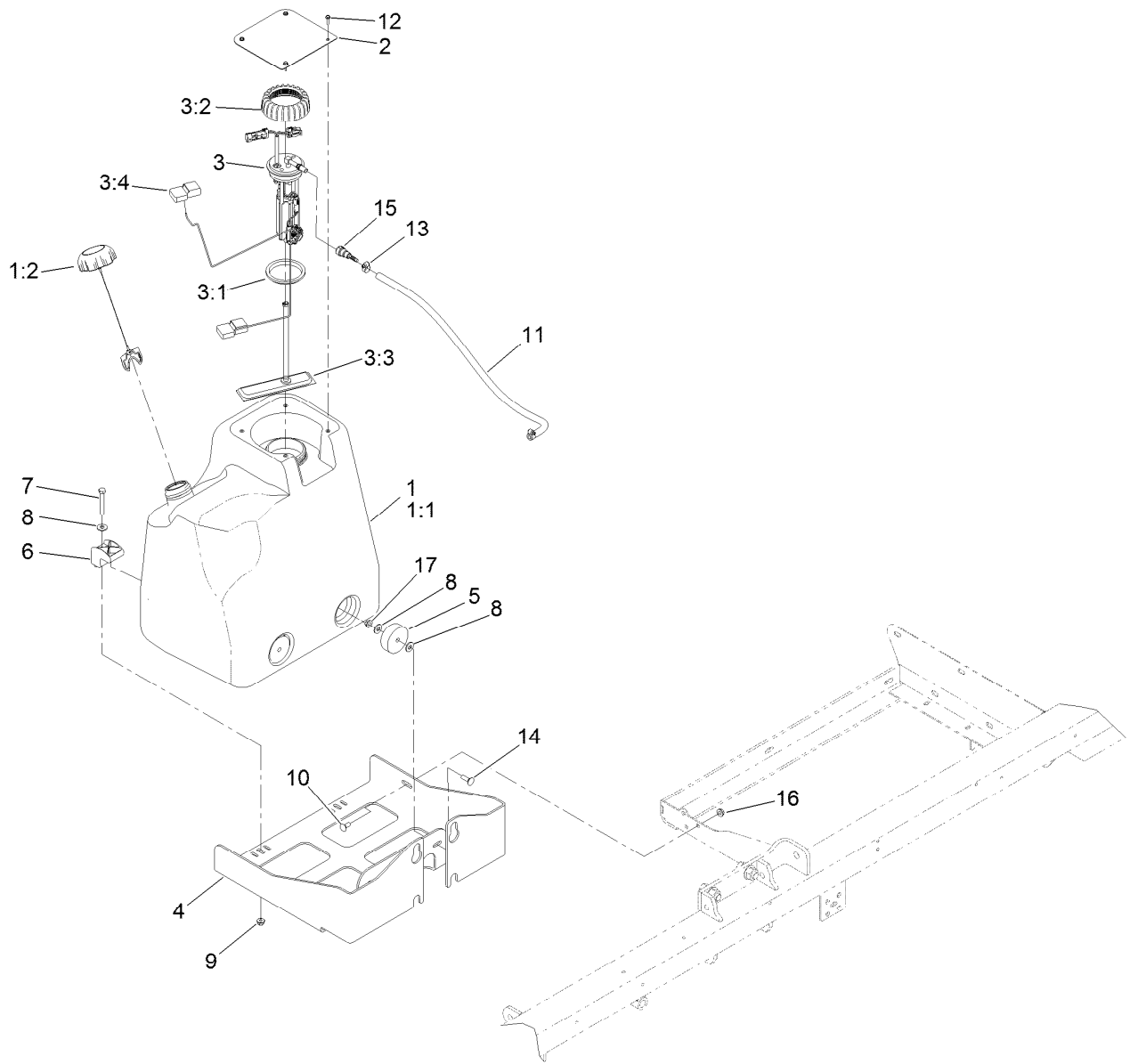
Air Cleaner Assembly No. 106-5277

<i>Ref.</i>	<i>Part Number</i>	<i>Qty.</i>	<i>Description</i>
2	108-3810	1	Filter-Air
3	98-9771	1	Cover ASM
4	87-9400	1	Valve-Vacuator
5	285-17	1	Plug-Pipe



Engine Mounting Assembly

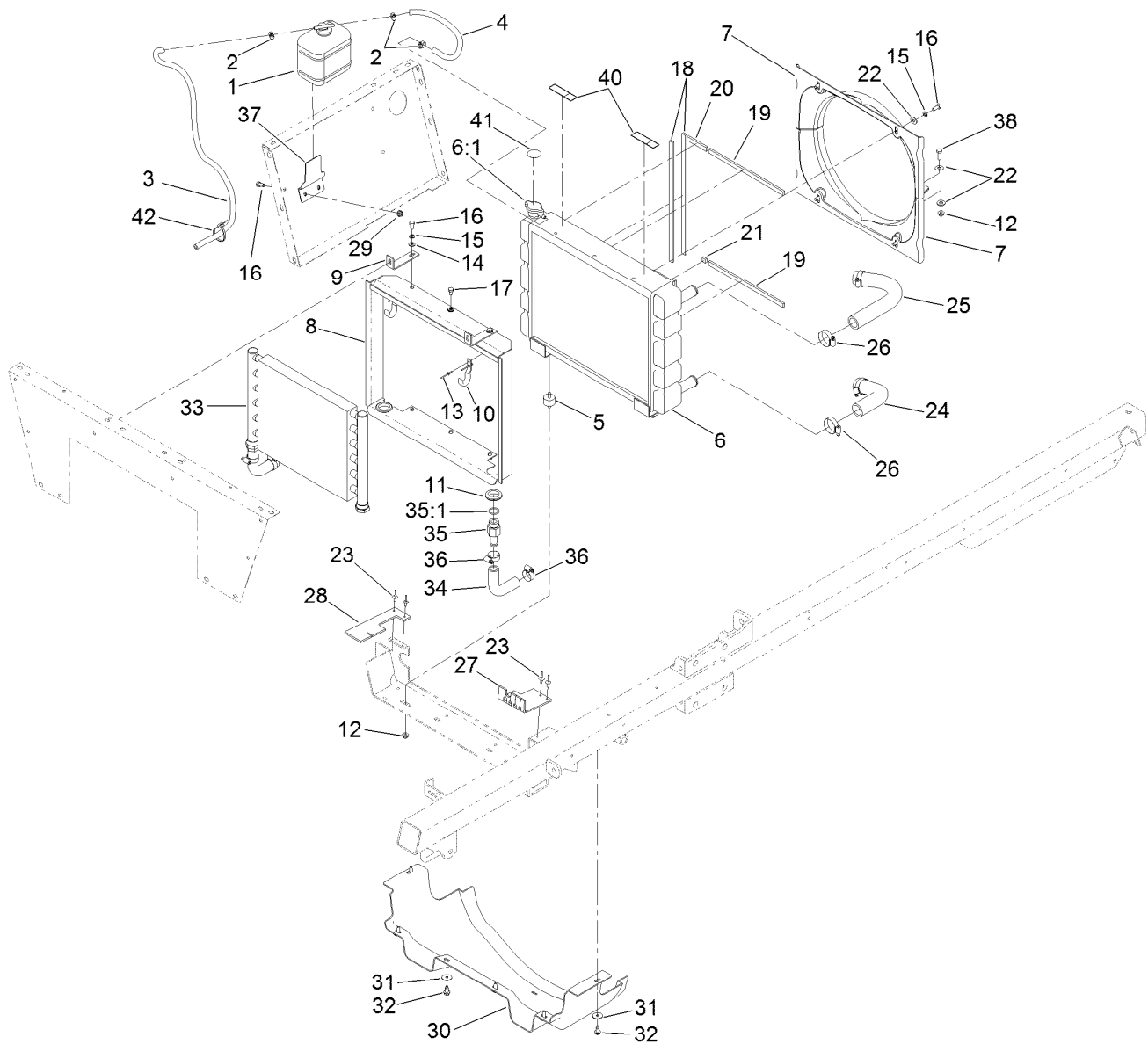
<i>Ref.</i>	<i>Part Number</i>	<i>Qty.</i>	<i>Description</i>	<i>Ref.</i>	<i>Part Number</i>	<i>Qty.</i>	<i>Description</i>
1	120-3841	1	Hose-Cleaner, Air	14	133-2790	1	Engine-Kubota, Wg1605
2	131-5834	1	Undercarriage Shroud ASM	15	132-7629-03	1	Mount-Box, Fuse
2:2	131-5833	1	Shield-Outlet, Muffler	16	130-7174	2	Mount-Isolation
4	3256-3	7	Washer-Flat	17	125-2921	1	Fitting-Fuel
5	32104-32	7	Screw-HWH	18	104-7201	4	Nut-HF
6	2412-130	1	Clamp-Hose	19	3253-4	2	Washer-Lock
8	33-5790	1	Bolt-CARR	20	33114-020	2	Screw-HH
9	322-12	1	Screw-HH	21	3256-23	1	Washer-Plain
10	322-6	2	Screw-HH	24	32128-20	1	Nut-HF
11	104-8300	4	Nut-HF, NI				



Fuel Tank Assembly

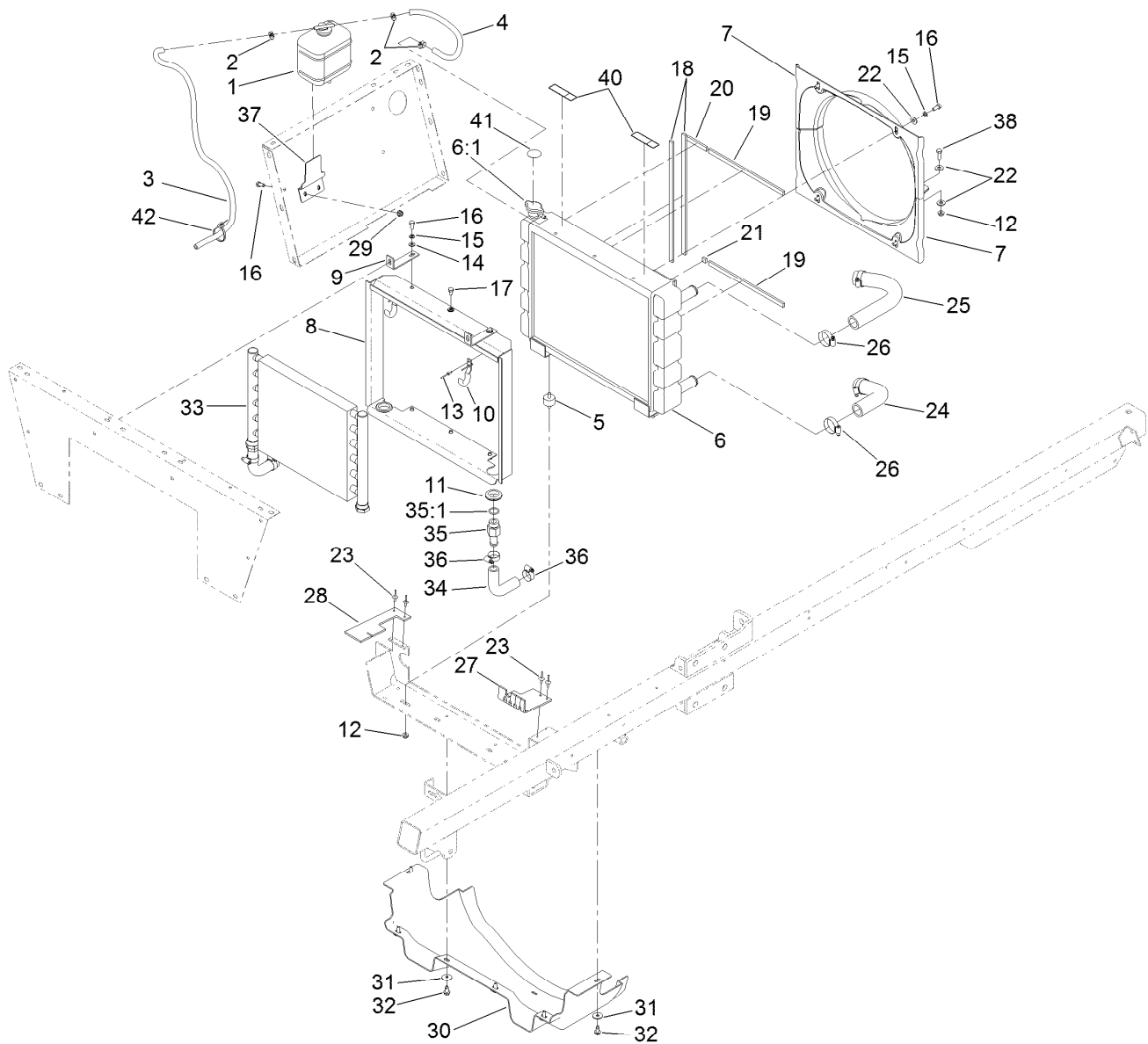
Ref.	Part Number	Qty.	Description
1	130-7105	1	Fuel Tank ASM
1:1	125-5872	1	Tank-Fuel
1:2	131-3315	1	Cap-Fuel, Controlled Vent
2	127-8971-03	1	Cover-Tank, Fuel
3	121-5641	1	Pump-Fuel
3:1	115-2163	1	Gasket-Pump, Fuel
3:2	115-2162	1	Cap-Pump, Fuel
3:3	125-2902	1	Filter-Fuel
3:4	120-4812	1	Float
4	131-9550-03	1	Bracket-Tank, Fuel Tank
5	108-1605	2	Bumper-Recess
6	107-4543	2	Clamp

Ref.	Part Number	Qty.	Description
7	322-11	2	Screw-HH
8	3256-3	6	Washer-Flat
9	104-8300	2	Nut-HF, NI
10	3230-1	1	Bolt-CARR
11	121-6321	1	Hose-Fuel
12	98-1375	4	Screw-HWH
13	2412-36	2	Clamp-Hose
14	3230-2	2	Bolt-CARR
15	125-2921	1	Fitting-Fuel
16	32128-20	1	Nut-HF
17	32128-25	2	Nut-HF



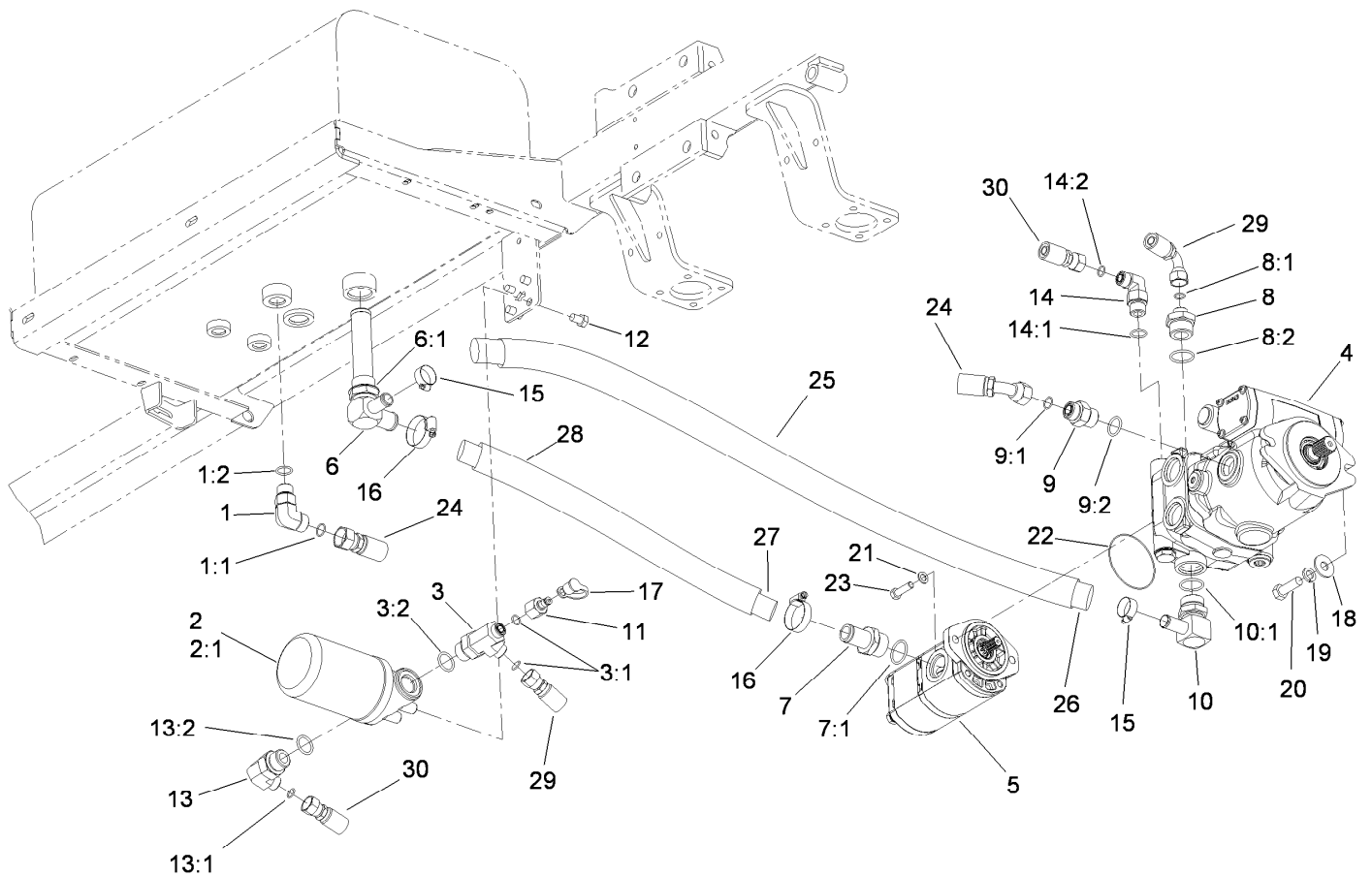
Radiator Assembly

Ref.	Part Number	Qty.	Description	Ref.	Part Number	Qty.	Description
1	108-0638	1	Bottle-Overflow	21	107-8678	2	Seal-Foam
2	2412-108	3	Clamp-Worm	22	3256-56	8	Washer-Flat
3	109-0309	1	Hose-Fuel	23	322-5	2	Screw-HH
4	106-1126	1	Hose-Fuel	23	3269-18	4	Rivet-Blind
5	62-5480	2	Isolater-Seat	24	119-4992	1	Hose-Radiator
6	106-5291	1	Radiator	25	106-5239	1	Hose-Radiator, Upper
6:1	114-9593	1	Cap-Radiator	26	2412-111	4	Clamp
7	131-5779	2	Shroud-Fan	27	131-5756	1	Baffle-Heat, LH
8	106-5180-03	1	Shroud-Radiator	28	119-5037	1	Baffle-Heat, RH
9	106-5185	2	Brace-Radiator	29	104-8300	2	Nut-HF, NI
10	75-0930	2	Hook-Mount, Cooler	30	119-9393	1	Shield-Front Heat, Engine
11	240-3	2	Grommet-Rubber	31	3256-82	6	Washer-Flat
12	32128-20	4	Nut-HF	32	32104-32	6	Screw-HWH
13	3269-15	4	Rivet-Pop	33	94-7007	1	Cooler-Oil
14	3256-23	6	Washer-Plain	34	125-5880	2	Hose-Cooler, Oil
15	3253-4	10	Washer-Lock	35	112-7835	2	Ftg-STR, Spcl
16	322-3	4	Screw-HH	35:1	237-81	1	O-Ring
17	322-1	4	Screw-HH	36	2412-129	4	Clamp-Hose
18	107-8675	4	Seal-Foam	37	130-7102-03	1	Bracket-Reservoir
19	107-8676	2	Seal-Foam	38	322-5	2	Screw-HH
20	107-8677	2	Seal-Foam	40	120-0627	2	Decal-Warning



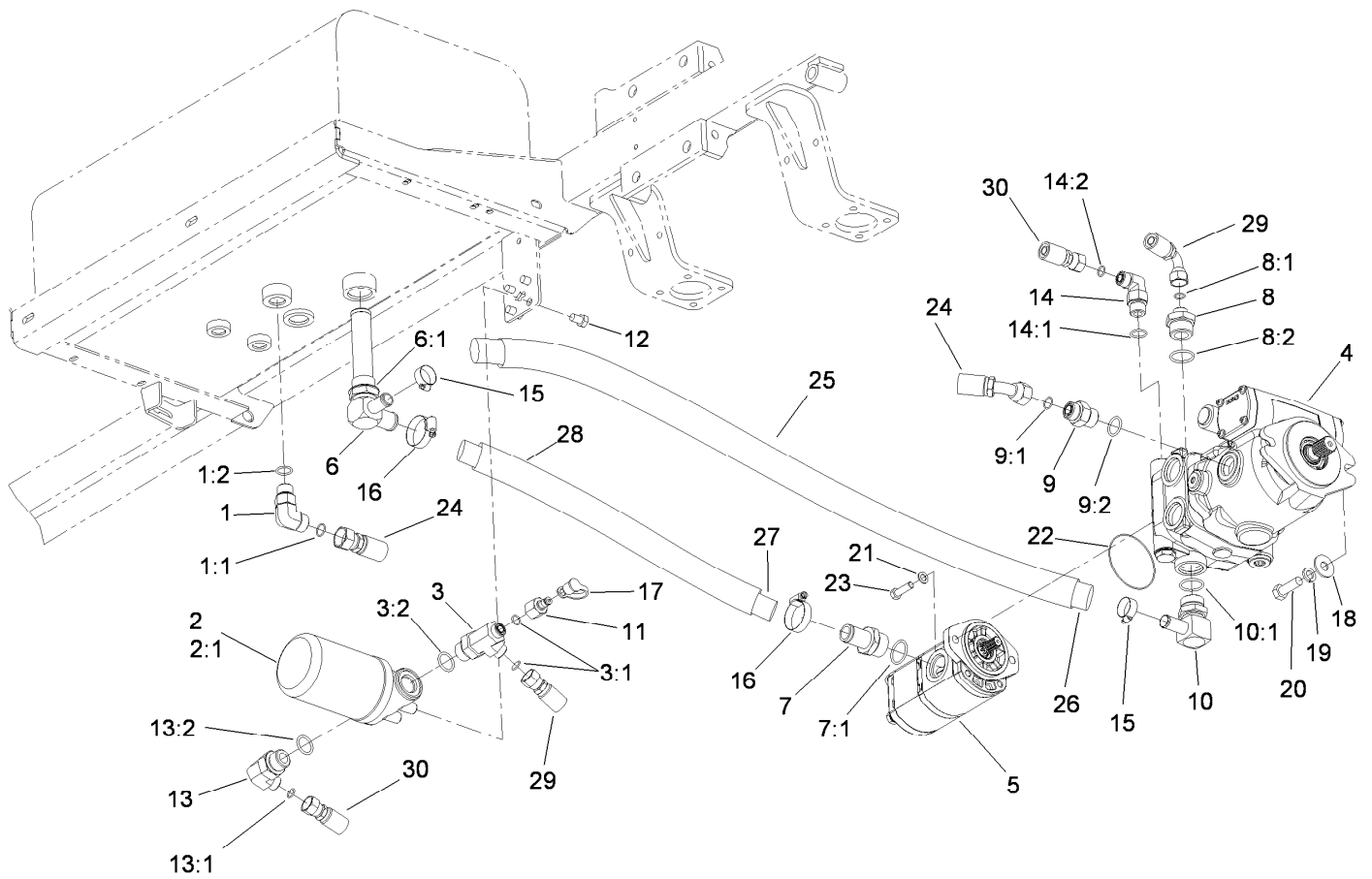
Radiator Assembly (continued)

<i>Ref.</i>	<i>Part Number</i>	<i>Qty.</i>	<i>Description</i>
41	106-6755	1	Decal-Cap, Radiator
42	3290-378	1	Tie-Cable



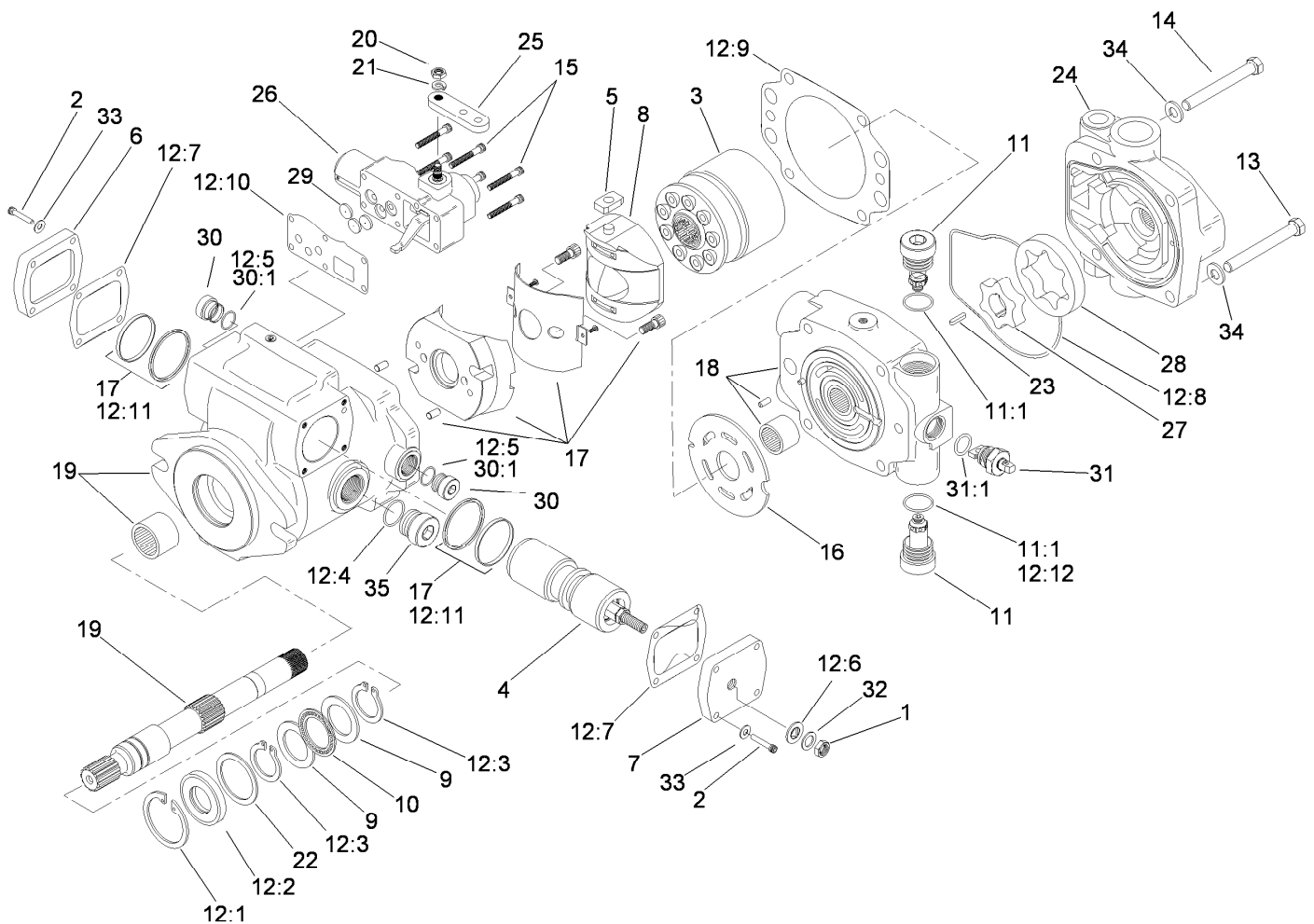
Hydraulic Pump and Filter Assembly

Ref.	Part Number	Qty.	Description	Ref.	Part Number	Qty.	Description
1	340-17	1	Fitting-Elbow, 90 DEG	10:1	237-117	1	O-Ring
1:1	237-65	1	O-Ring	11	100-5616	1	Fitting
1:2	237-80	1	O-Ring	12	33115-016	4	Screw-HH
2	93-2242	1	Filter-Oil	13	340-131	1	Fitting-HYD, 90 DEG
2:1	75-1310	1	Filter-HYD	13:1	237-30	1	O-Ring
3	117-0676	1	Fitting-Tee	13:2	237-81	1	O-Ring
3:1	237-30	2	O-Ring	14	340-105	1	Fitting-Elbow, 90 DEG
3:2	237-81	1	O-Ring	14:1	237-80	1	O-Ring
4	117-0685	1	Piston Pump ASM	14:2	237-30	1	O-Ring
5	119-5038	1	Tandem Pump ASM	15	2412-129	2	Clamp-Hose
6	117-0684	1	Strainer-Tee	16	2412-111	2	Clamp
6:1	237-146	1	O-Ring	17	354-79	1	Cap-Dust
7	354-78	1	Fitting-STR	18	3256-6	2	Washer-Flat
7:1	237-146	1	O-Ring	19	3253-7	2	Washer-Lock
8	104-9178	1	Fitting-STR	20	325-6	2	Screw-HH
8:1	237-30	1	O-Ring	21	60-3540	2	Washer
8:2	237-146	1	O-Ring	22	60-3520	1	O-Ring
9	340-8	1	Fitting-Straight	23	3274-1	2	Screw-HSH
9:1	237-65	1	O-Ring	24	112-2561	1	Hose-HYD
9:2	237-81	1	O-Ring	25	94-3688	1	Sleeve-Protective
10	98-0971	1	Fitting-Elbow, 90	26	119-5045	1	Hose-Suction



Hydraulic Pump and Filter Assembly (continued)

<i>Ref.</i>	<i>Part Number</i>	<i>Qty.</i>	<i>Description</i>	<i>Ref.</i>	<i>Part Number</i>	<i>Qty.</i>	<i>Description</i>
27	117-0681	1	Hose ASM	29	117-0686	1	Hose-HYD
28	107-3589	1	Sleeve-Hose	30	117-0729	1	Hose ASM

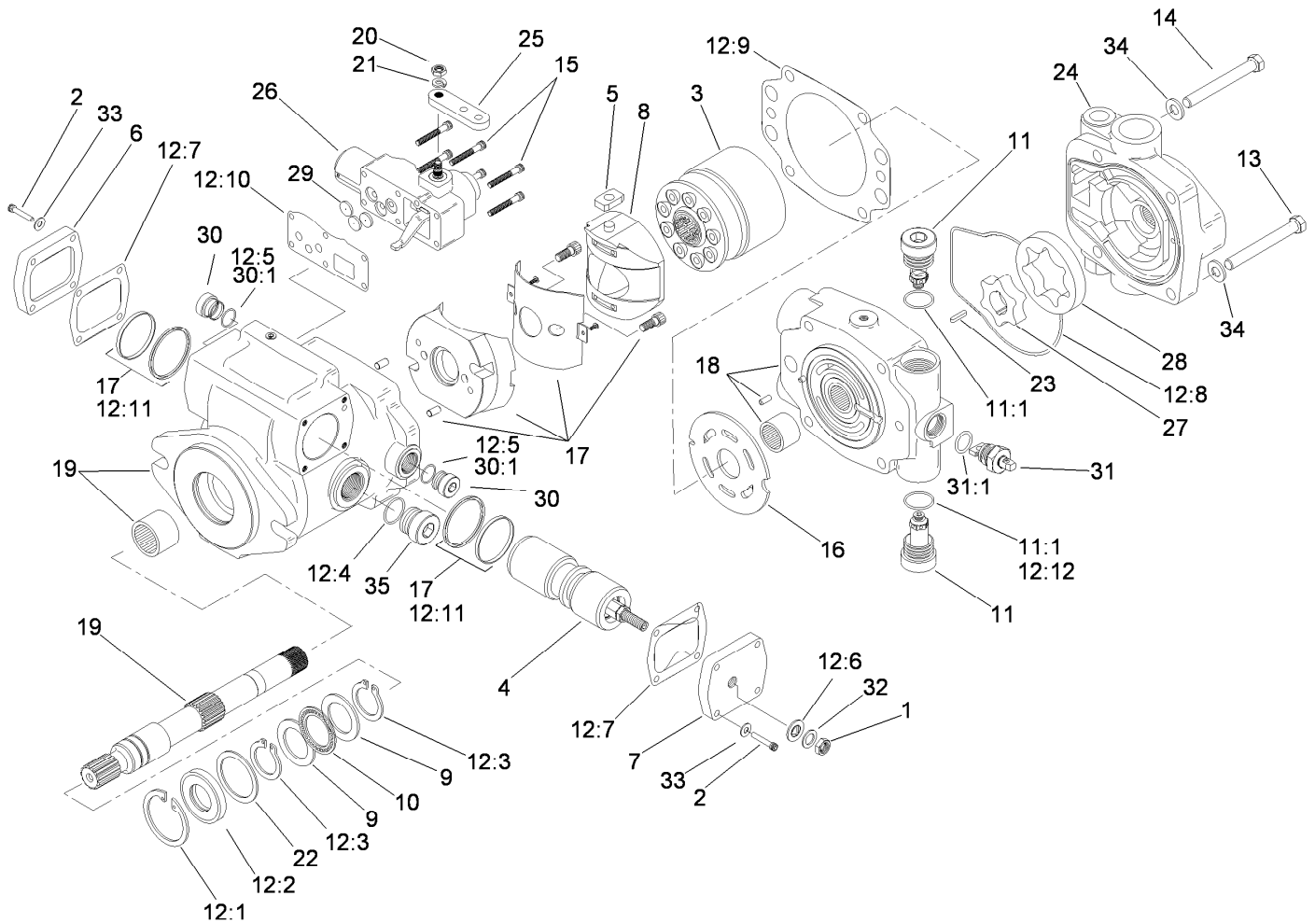


Piston Pump Assembly No. 117-0685

Ref.	Part Number	Qty.	Description	Ref.	Part Number	Qty.	Description
1	3220-3	1	Nut-HJ	12:6	94-3027	1	Washer-Seal
2	93-6337	8	Screw	12:7	93-6339	2	Gasket
3	99-8701	1	Rotating Kit	12:8	105-2905	1	O-Ring ●
4	105-2856	1	Piston-Servo	12:9	105-2900	1	Gasket-Housing
5	94-3032	1	Follower-Piston	12:10	105-2901	1	Gasket-Housing, Control
6	94-3033	1	Plate-Cover	12:11		2	Seal ASM ■
7	105-9853	1	Plate-Cover	12:12	74-9380	1	O-Ring ●
8	94-3026	1	Camplate ASM	13	323-15	2	Screw-HH
9	76-6950	2	Race-Thrust	14	323-16	2	Screw-HH
10	76-6960	1	Bearing-Thrust	15	93-6324	6	Screw
11	105-2858	2	Valve-Relief	16	99-8704	1	Plate-Valve
11:1		1	O-Ring ■	17		1	Housing ■
12	107-1561	1	Seal Kit ●	18	105-2904	1	Backplate
12:1	60-6260	1	Ring	19	93-6344	1	Driveshaft
12:2	105-3331	1	Seal-Shaft	20	3217-5	1	Nut-Hex
12:3	76-7000	2	Ring-Retaining	21	3253-3	1	Washer-Lock
12:4		2	O-Ring ■	22	60-6240	1	Washer
12:5	93-6314	2	O-Ring ●	23	93-6375	1	Key

● Not illustrated

■ Not serviced separately

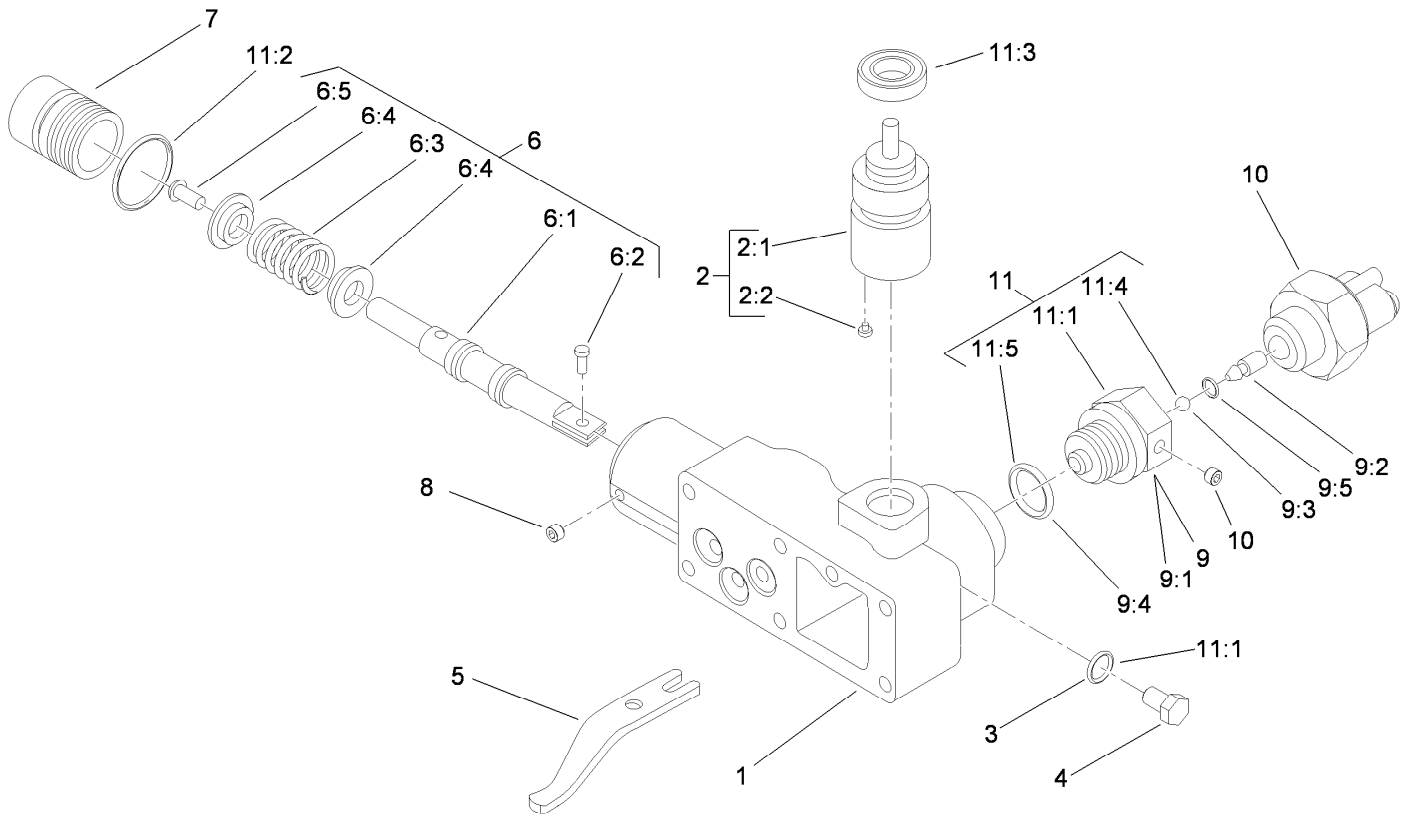


Piston Pump Assembly No. 117-0685 (continued)

Ref.	Part Number	Qty.	Description	Ref.	Part Number	Qty.	Description
24	95-2110	1	Adaptor	30:1		1	O-Ring ■
25	105-2862	1	Arm-Control	31	105-2913	1	Valve-Bypass
26	115-4446	1	Control-Servo, Manual	31:1		1	O-Ring ■
27	93-6365	1	Geroter-Inner	32	94-3030	1	Washer
28	93-6364	1	Geroter-Outer	33	93-6336	8	Washer
29	94-3041	3	Orifice-Control (.028 DIA)	34	3256-24	4	Washer-Flat
30	74-9280	2	Plug ASM	35		1	Plug ■

● Not illustrated

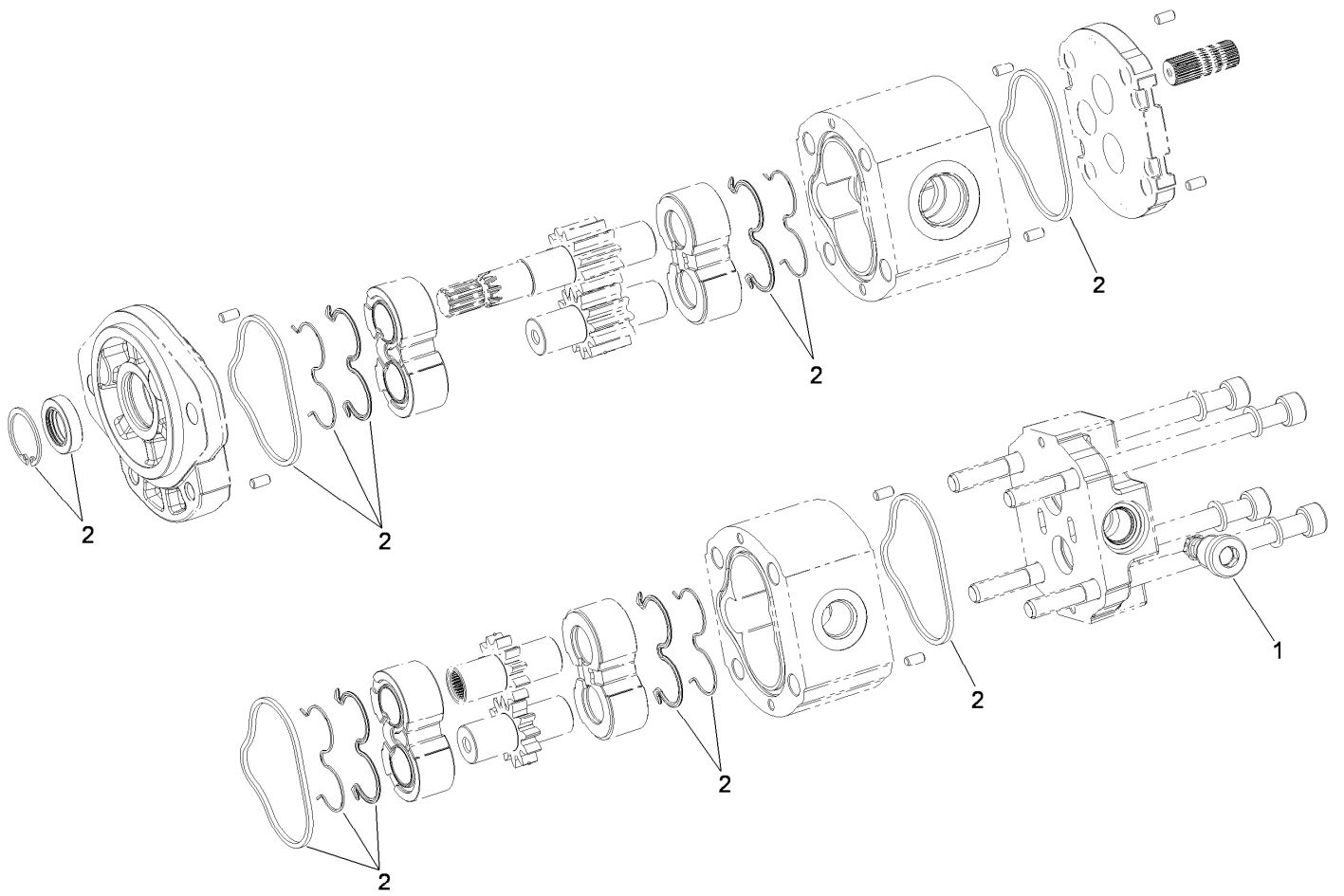
■ Not serviced separately



Control Assembly No. 115-4446

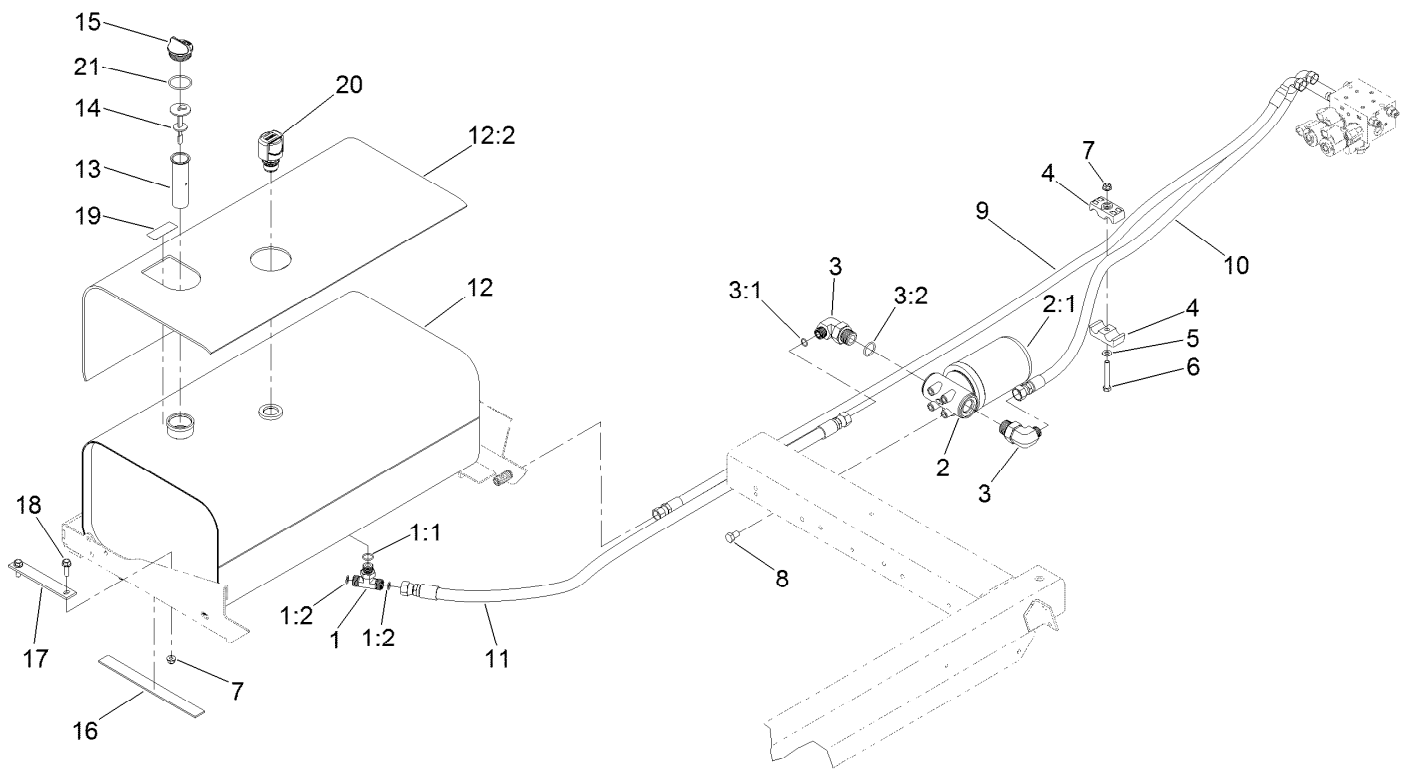
Ref.	Part Number	Qty.	Description	Ref.	Part Number	Qty.	Description
1		1	Housing-Control ●	8		2	Screw-Set ●
2	108-7099	1	Input Control Shaft ASM	9	108-8003	1	Adaptor ASM
2:1		1	Shaft ●	9:1		1	Adaptor-Lockout, Neutral ●
2:2		1	Pin ●	9:2		1	Pin ●
3		1	O-Ring ●	9:3		1	Ball ●
4		1	Plug ●	9:4		1	O-Ring ●
5		1	Link-Feedback ●	9:5		1	O-Ring ●
6	108-7098	1	Valve Spool ASM	10	115-3795	1	Switch-Neutral
6:1		1	Valve-Spool ●	11	94-3044	1	Seal Kit
6:2		1	Pin-Dowel ●	11:1	117-8979	1	Seal-Shaft
6:3		1	Spring ●	11:2	105-2901	1	Gasket-Housing, Control
6:4		2	Retainer ●	11:3		1	O-Ring ●
6:5		1	Screw ●	11:4		1	O-Ring ●
7		1	Plug ●	11:5		1	Seal-Wiper ●

● Not serviced separately



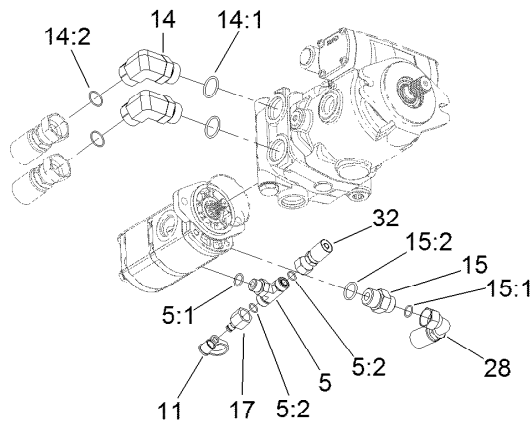
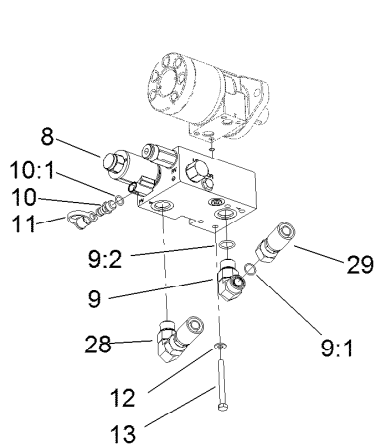
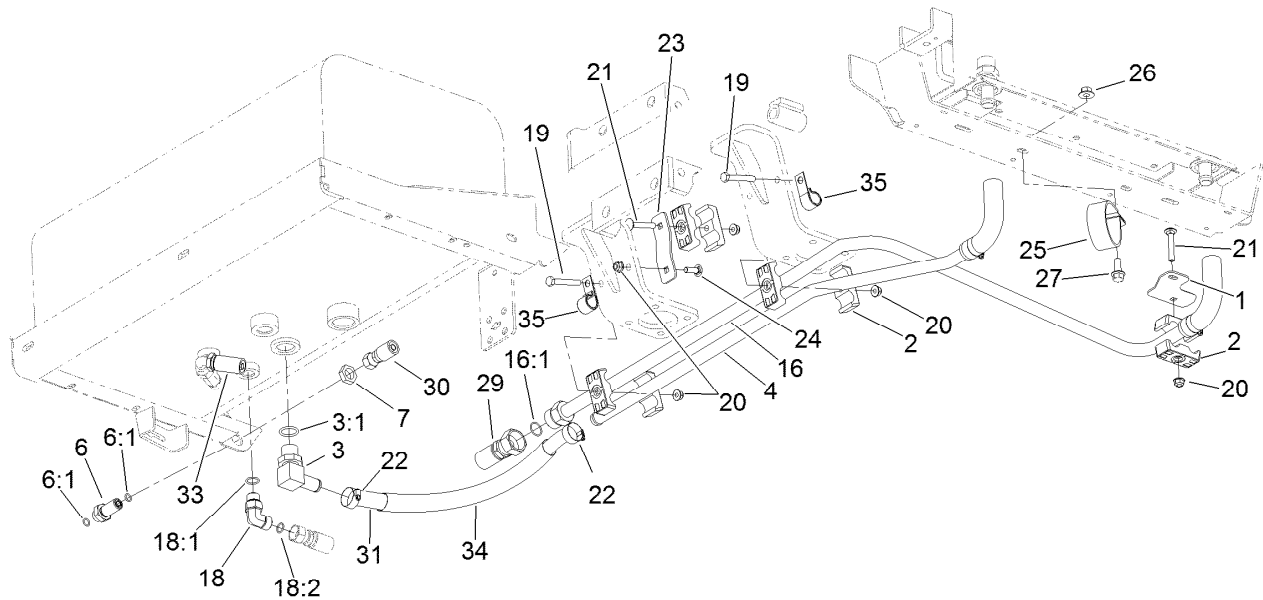
Tandem Pump Assembly No. 119-5038

<i>Ref.</i>	<i>Part Number</i>	<i>Qty.</i>	<i>Description</i>
1	120-5156	1	Valve-Relief
2	120-5155	1	Seal Kit



Hydraulic Tank Assembly

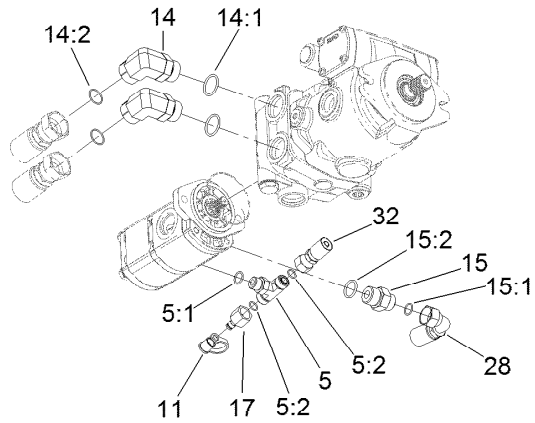
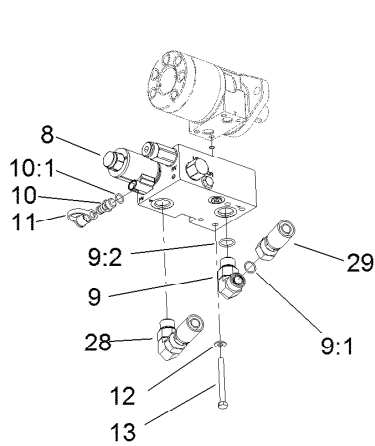
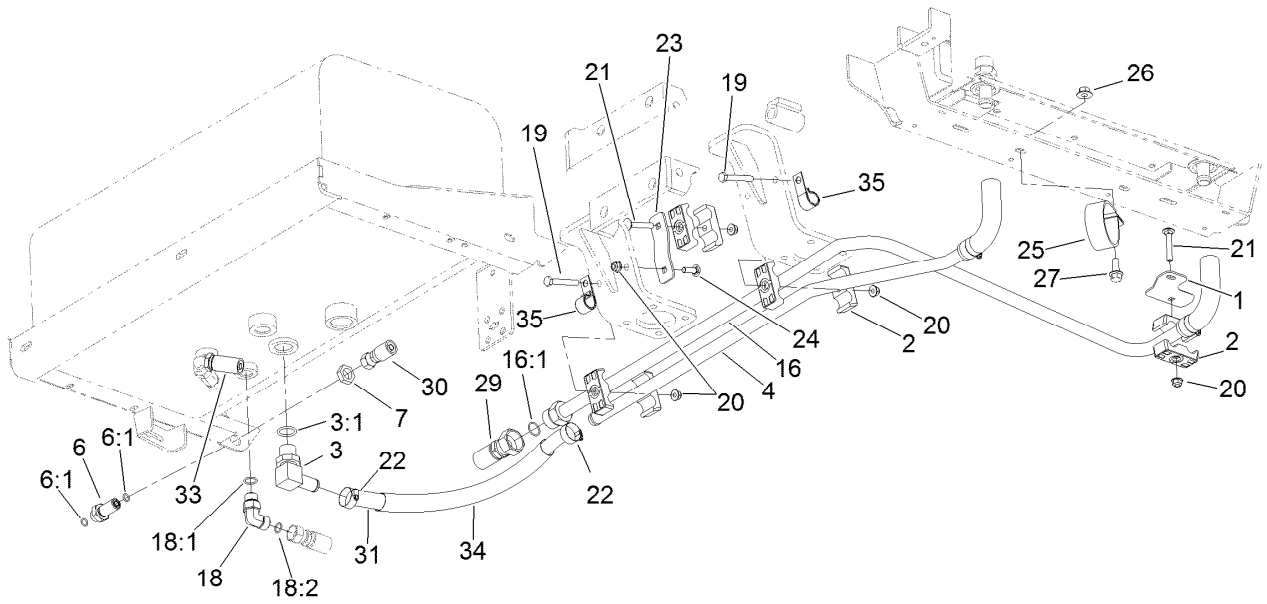
<i>Ref.</i>	<i>Part Number</i>	<i>Qty.</i>	<i>Description</i>	<i>Ref.</i>	<i>Part Number</i>	<i>Qty.</i>	<i>Description</i>
1	340-157	1	Fitting-HYD, Tee	10	119-0587	1	HYD Hose ASM
1:1	237-79	1	O-Ring	11	106-3672	1	HYD Hose ASM
1:2	237-30	2	O-Ring	12	131-5799	1	Hydraulic Tank ASM
2	93-2242	1	Filter-Oil	12:2	131-5787	1	Cover-Tank, Hydraulic
2:1	75-1310	1	Filter-HYD	13	92-1705	1	Filter-Screen
3	340-131	2	Fitting-HYD, 90 DEG	14	105-2812	1	Dipstick
3:1	237-30	1	O-Ring	15	93-7498	1	Plug-Plastic
3:2	237-81	1	O-Ring	16	41995	2	Strip-Armaflex
4	94-8105	2	Clamp-Tube	17	94-7068-03	2	Strap-Hold Down
5	3256-23	1	Washer-Plain	18	3234-17	4	Screw-HHF
6	322-11	1	Screw-HH	19	93-6686	1	Decal-Oil, HYD
7	104-8300	5	Nut-HF, NI	20	115-9793	1	Breather
8	33115-016	4	Screw-HH	21	237-101	1	O-Ring
9	119-0588	1	HYD Hose ASM				



Hydraulic Pump and Filter Assembly

Ref.	Part Number	Qty.	Description
1	117-0723	1	Plate-Mount, Tube Clamp
2	94-8105	10	Clamp-Tube
3	353-987	1	Fitting-Elbow, 90
3:1	237-81	1	O-Ring
4	117-0693	1	Hydraulic Tube
5	340-157	1	Fitting-HYD, Tee
5:1	237-79	1	O-Ring
5:2	237-30	2	O-Ring
6	340-71	1	Fitting-Straight, Bulkhead
6:1	237-22	2	O-Ring
7	340-70	1	Nut-Lock
8	117-0708	1	Pump Control Valve ASM
9	340-17	2	Fitting-Elbow, 90 DEG
9:1	237-65	1	O-Ring
9:2	237-80	1	O-Ring
10	59-7410	1	Fitting-Diagnostic
10:1	237-42	1	O-Ring
11	354-79	2	Cap-Dust
12	3256-23	4	Washer-Plain
13	322-14	4	Screw-HH
14	340-129	2	Fitting-Elbow, 90 DEG

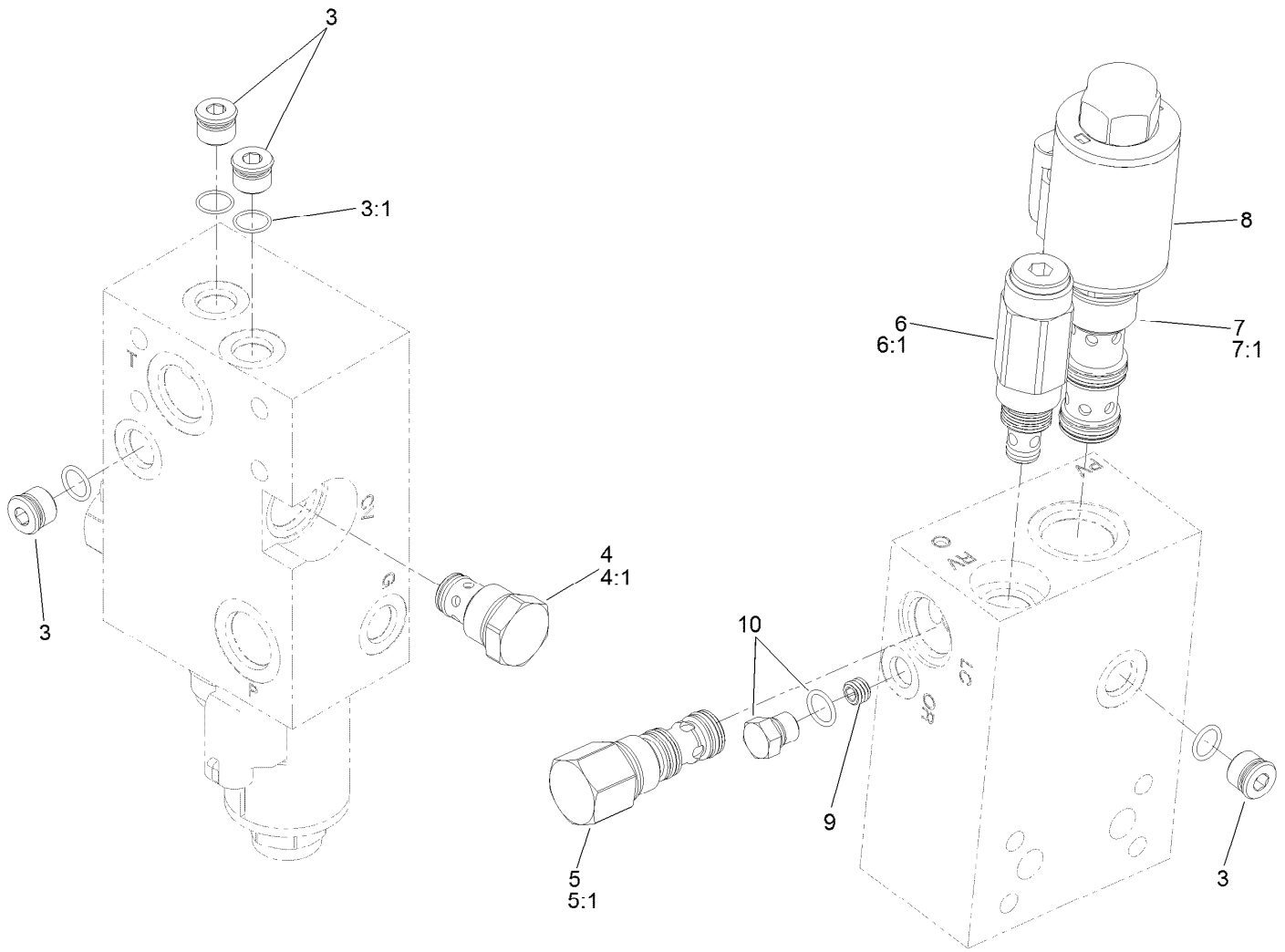
Ref.	Part Number	Qty.	Description
14:1	237-146	1	O-Ring
14:2	340-65	1	O-Ring
15	340-8	1	Fitting-Straight
15:1	237-65	1	O-Ring
15:2	237-81	1	O-Ring
16	125-5854	1	Tube ASM
16:1	237-58	1	O-Ring
17	100-5616	1	Fitting
18	340-98	1	Fitting-Elbow, 90 DEG
18:1	237-79	1	O-Ring
18:2	237-30	1	O-Ring
19	322-11	2	Screw-HH
20	104-8300	7	Nut-HF, NI
21	3230-6	3	Screw-CARR
22	2412-129	2	Clamp-Hose
23	117-0689	2	Plate-Mount, Tube Clamps
24	3230-22	2	Screw-CARR
25	2412-102	1	Clamp-R
26	32128-43	1	Nut-Flange
27	3234-11	1	Screw-HHF
28	117-0680	1	Hose ASM



Hydraulic Pump and Filter Assembly (continued)

Ref.	Part Number	Qty.	Description
29	117-0682	1	Hose ASM
30	119-0583	1	Hose ASM
31	119-5045	1	Hose-Suction
32	117-0687	1	Hose ASM

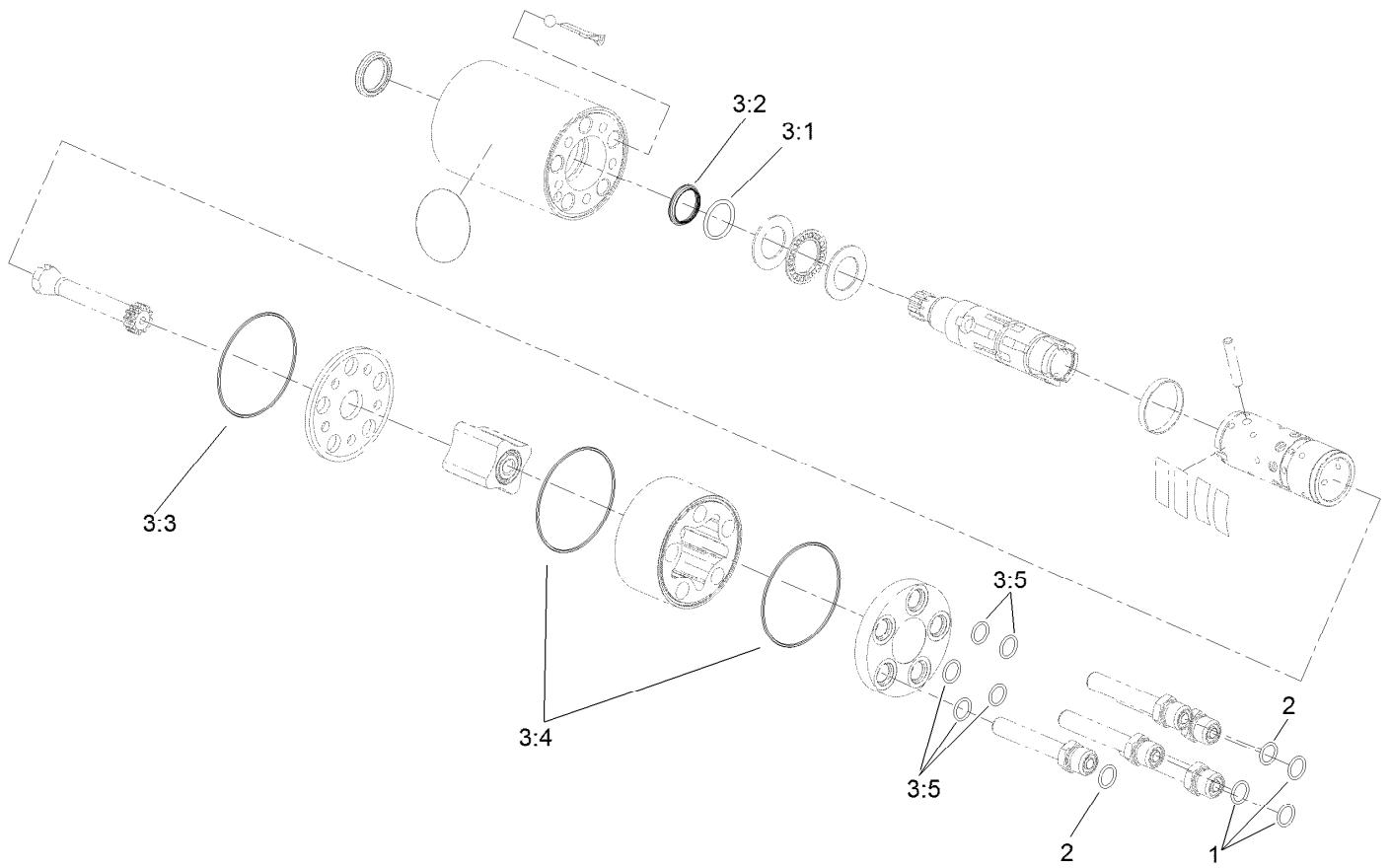
Ref.	Part Number	Qty.	Description
33	125-5853	1	HYD-Hose
34	94-3688	1	Sleeve-Protective
35	94-9580	2	Clamp-J



Pump Control Valve Assembly No. 117-0708

Ref.	Part Number	Qty.	Description
3	353-512	4	Plug
3:1	237-78	1	O-Ring
4	110-8881	1	Valve-Check
4:1	105-9159	1	Seal Kit ●
5	120-1660	1	Compensator-Pressure
5:1	107-7813	1	Seal Kit ●
6	117-8312	1	Valve-Relief
6:1	105-9156	1	Seal Kit
7	120-2590	1	Valve-Flow Control
7:1	114-5515	1	Seal Kit
8	120-2589	1	Coil-12Vdc
9	107-1987	1	Orifice-0.040
10	117-0115	1	Plug

● Not illustrated

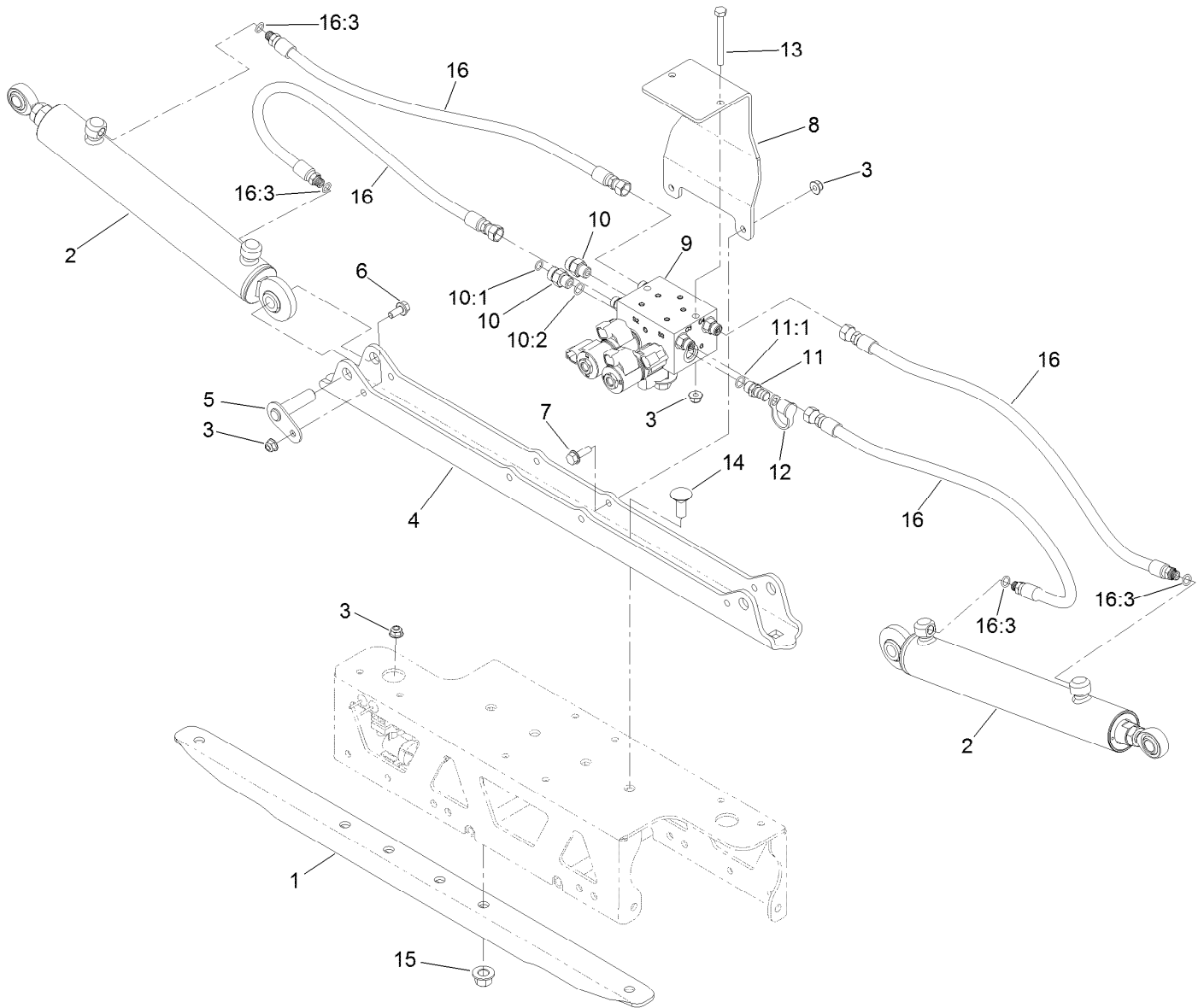


Steer Valve Assembly No. 117-0707

Ref.	Part Number	Qty.	Description
1	237-21	3	O-Ring ●
2	237-22	2	O-Ring ■
3	106-6716	1	Seal Kit ●
3:1		1	Ring-Seal, Dust ■
3:2		1	Seal-Shaft ■
3:3		1	O-Ring ■
3:4		2	O-Ring ■
3:5		5	O-Ring ■

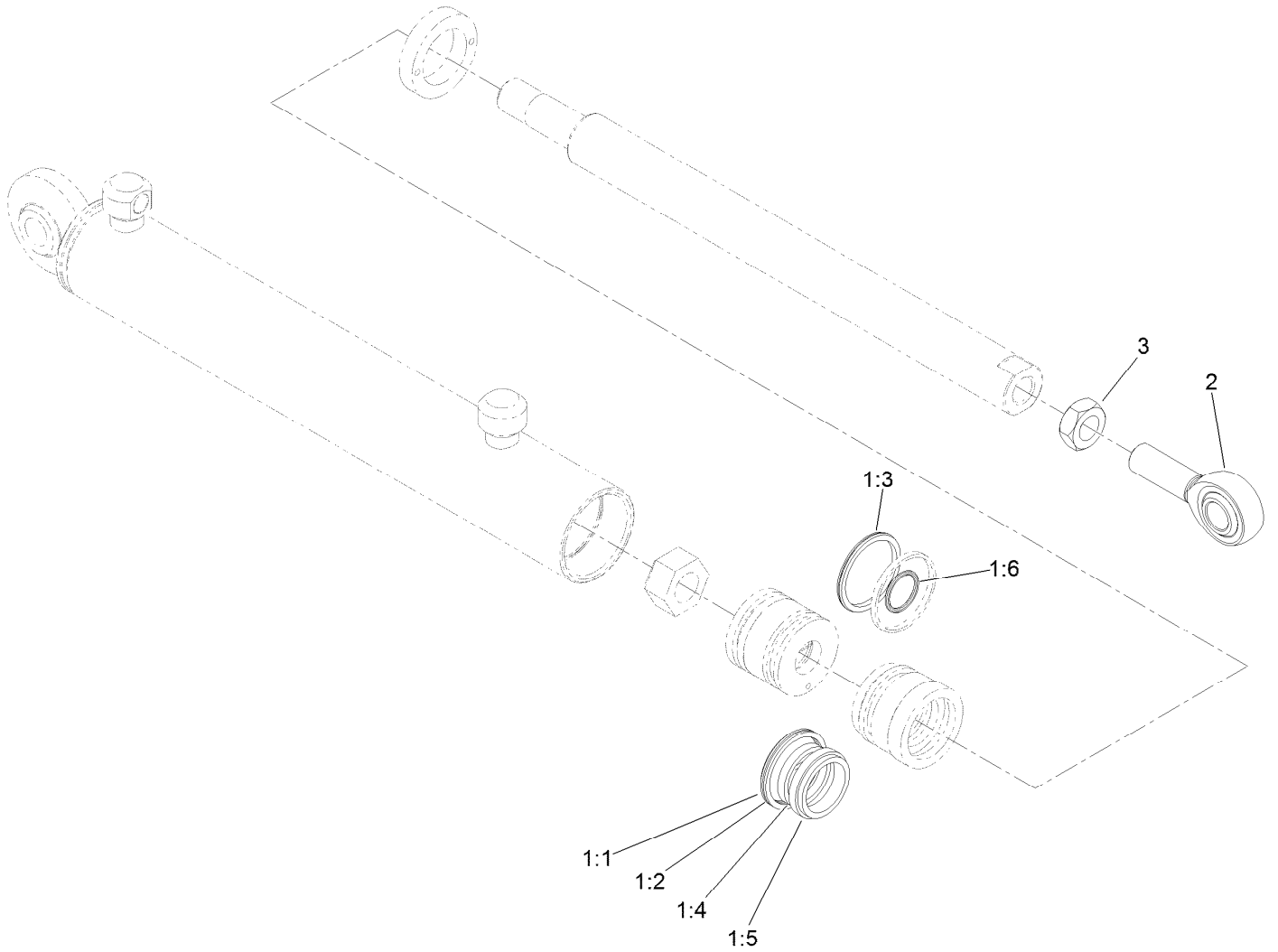
● Not illustrated

■ Not serviced separately



Boom Lift Assembly

<i>Ref.</i>	<i>Part Number</i>	<i>Qty.</i>	<i>Description</i>	<i>Ref.</i>	<i>Part Number</i>	<i>Qty.</i>	<i>Description</i>
1	131-0285-03	1	Stiffener-Channel	10:1	237-22	1	O-Ring
2	117-0701	2	Hydraulic Cylinder ASM	10:2	237-42	1	O-Ring
3	104-8300	7	Nut-HF, NI	11	59-7410	1	Fitting-Diagnostic
4	131-0275-03	1	Plate-Mount	11:1	237-42	1	O-Ring
5	112-7884	2	Pin-Pivot	12	354-79	1	Cap-Dust
6	110-5053	2	Screw-HHF	13	322-14	2	Screw-HH
7	3234-29	2	Screw-HHF	14	110-5067	4	Screw-CARR
8	130-8201-03	1	Mount-Valve	15	99-5107	4	Nut-Lock
9	117-0702	1	On-Off Boom Lift Valve ASM	16	131-0276	4	Hose ASM
10	340-2	2	Fitting-Straight	16:3	237-78	1	O-Ring

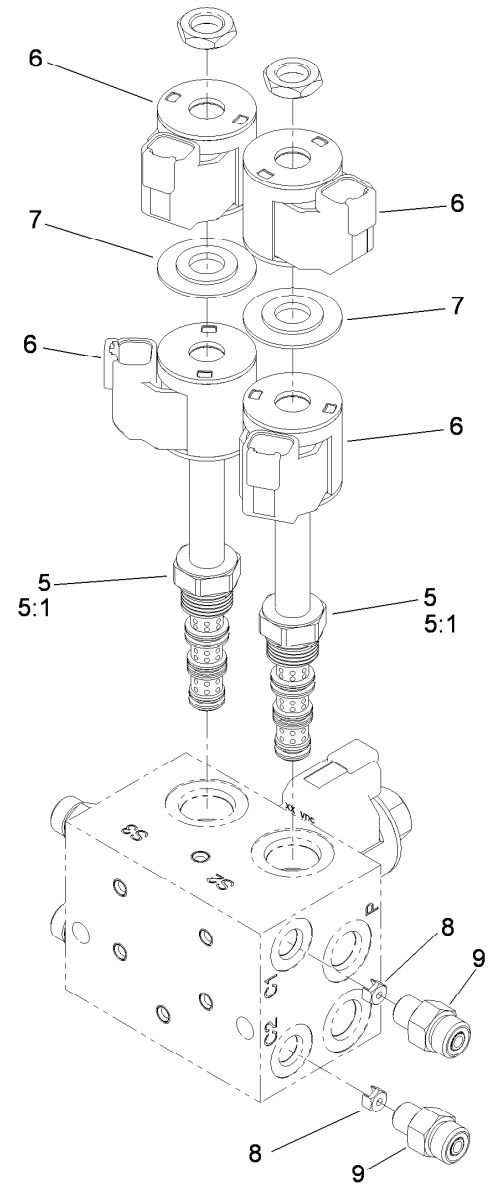
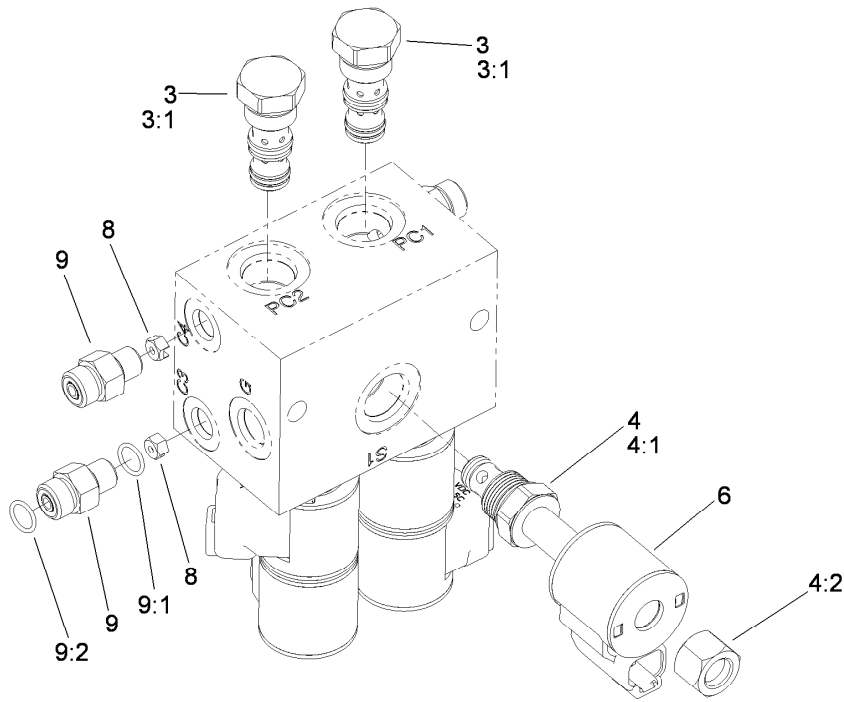


Hydraulic Cylinder Assembly No. 117-0701

Ref.	Part Number	Qty.	Description
1	119-8026	1	Seal Kit ●
1:1		1	O-Ring ■
1:2		1	Ring-Backup ■
1:3		1	Bp Seal ■
1:4		1	Bs Seal ■
1:5		1	Dust Seal ■
1:6		1	O-Ring ■
2	119-8027	1	Rod End
3	3220-6	1	Nut-Jam

● Not illustrated

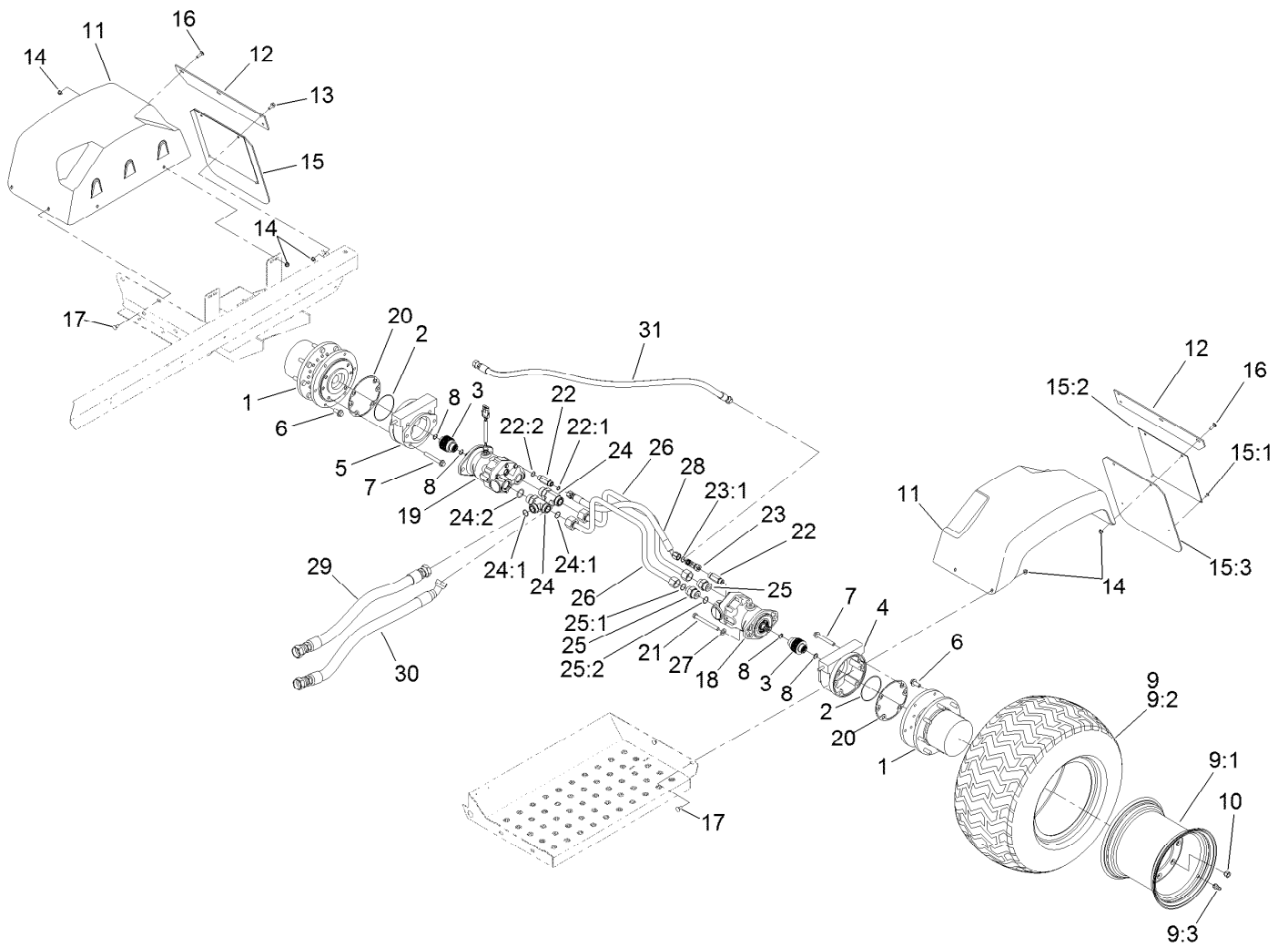
■ Not serviced separately



On-Off Boom Lift Valve No. 117-0702

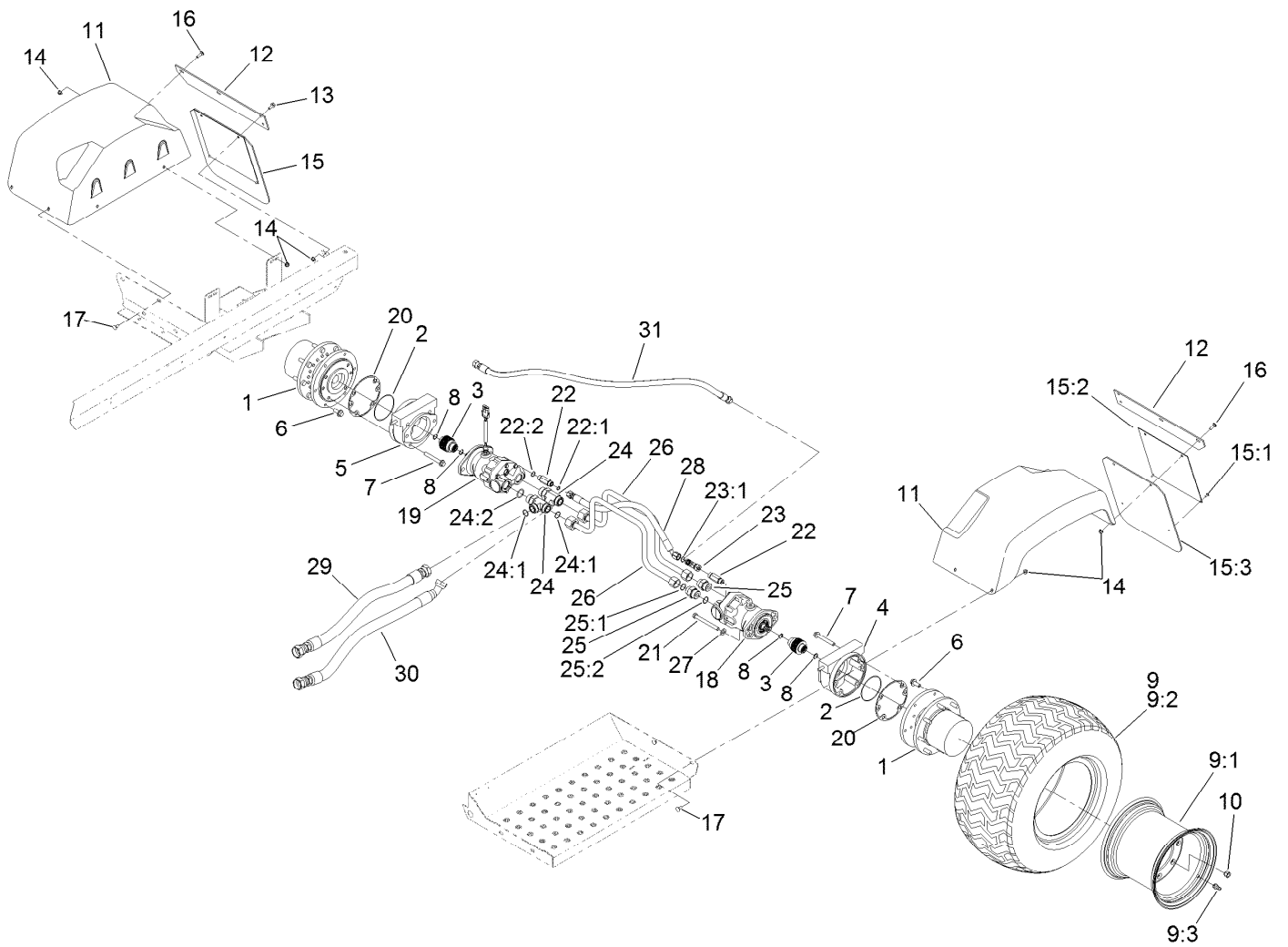
Ref.	Part Number	Qty.	Description
3	120-2588	2	Valve-Check
3:1	120-0886	1	Seal Kit ●
4	107-7517	1	Valve-Solenoid
4:1	105-9156	1	Seal Kit
4:2	107-7812	1	Nut-Solenoid
5	120-2587	2	Valve-Solenoid
5:1	112-6520	1	Seal Kit ●
6	119-8036	5	Coil
7	120-2586	2	Spacer-Coil
8	120-2585	4	Orifice, .035
9	340-92	4	Fitting-Straight
9:1	237-78	1	O-Ring
9:2	237-21	1	O-Ring

● Not illustrated



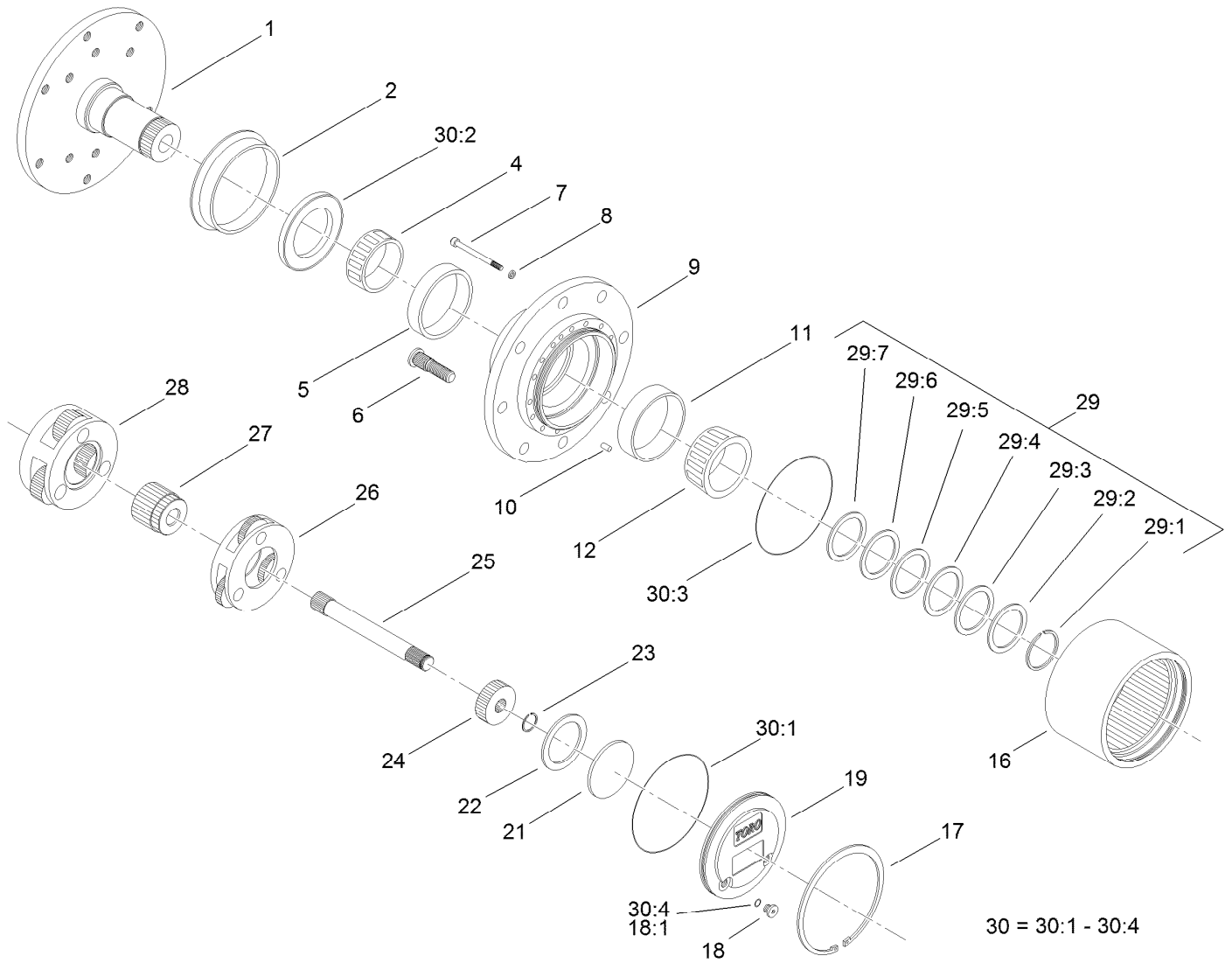
Rear Drive Assembly

Ref.	Part Number	Qty.	Description	Ref.	Part Number	Qty.	Description
1	105-4500	2	Planetary ASM	16	3230-2	4	Bolt-CARR
2	237-166	2	O-Ring	17	3230-1	8	Bolt-CARR
3	100-3046	2	Shaft-Brake, Splined	18	132-5631	1	HYD Motor ASM
4	100-3069	1	RH Brake ASM	19	132-5630	1	HYD Motor ASM (W/Speed Sensor)-
5	100-3070	1	LH Brake ASM	20	93-7984	2	Gasket
6	33106-030	12	Screw-HHF	21	33116-120	4	Screw-HH
7	33106-090	8	Screw-HHF	22	119-4854	2	Fitting-STR
8	93-7972	4	Ring-Retaining, Internal	22:1	237-30	1	O-Ring
9	131-3335	2	Tire And Wheel ASM	22:2	237-79	1	O-Ring
9:1	131-3336	1	Wheel	23	340-104	1	Fitting-HYD, Tee
9:2	117-5196	1	Tire	23:1	237-30	2	O-Ring
9:3	232-27	1	Stem-Valve	24	104-3795	2	Fitting-Tee
10	242-50	16	Nut-Lug	24:1	340-65	2	O-Ring
11	93-6498	2	Fender-Rear	24:2	237-146	1	O-Ring
12	93-6528-03	2	Strap-Mount, Fender	25	340-91	2	Fitting-STR
13	3234-5	4	Screw-HHF	25:1	237-58	1	O-Ring
14	104-8300	16	Nut-HF, NI	25:2	237-146	1	O-Ring
15	94-7127	2	Splash Guard ASM	26	117-0674	2	Tube-Traction
15:1	114439	2	Rivet-Blind	27	33096-00	4	Washer-Flat
15:2	94-7128-03	1	Plate-Guard, Splash	28	131-9634	1	Hydraulic Hose ASM
15:3	94-7129	1	Guard-Splash				



Rear Drive Assembly (continued)

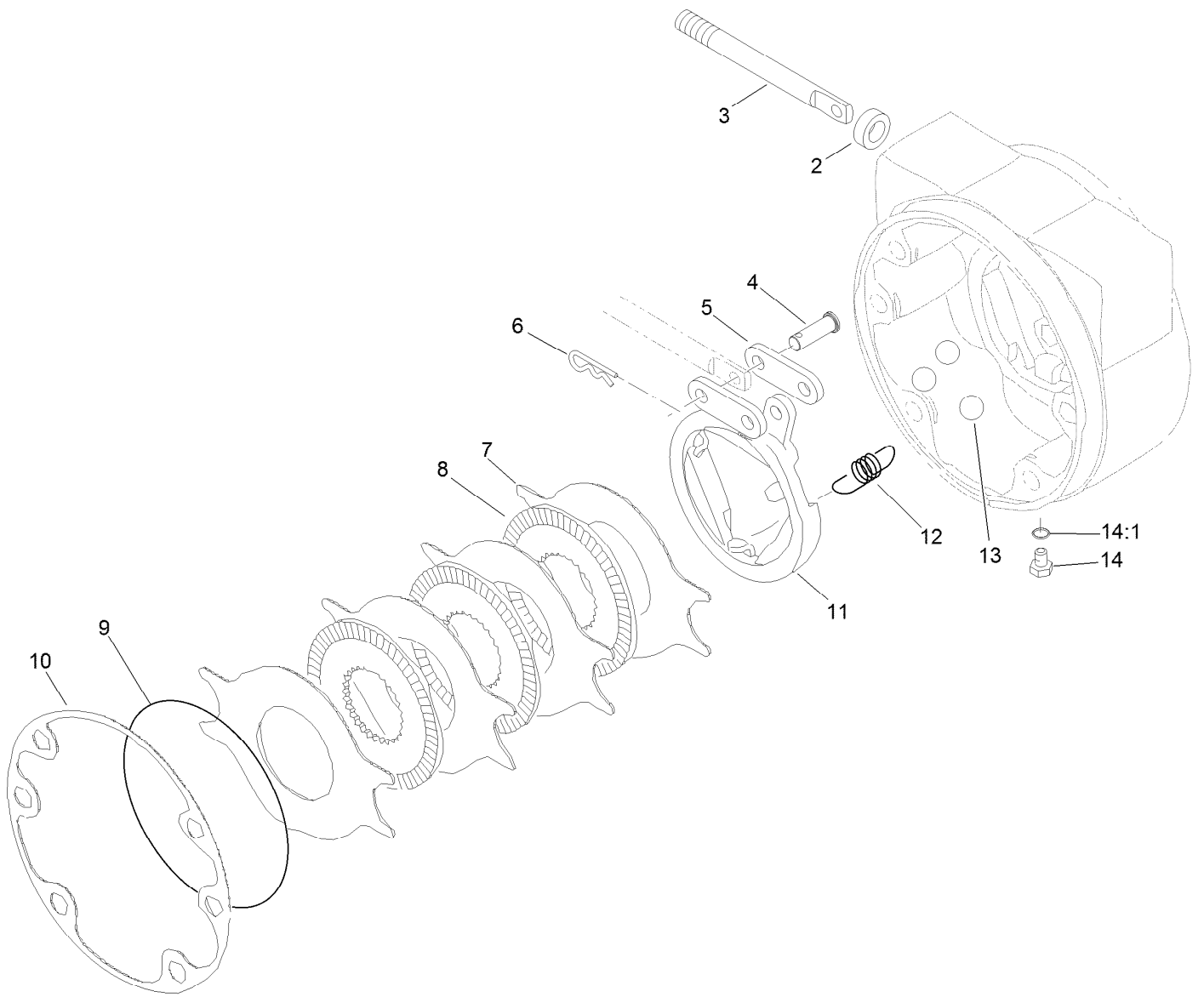
<i>Ref.</i>	<i>Part Number</i>	<i>Qty.</i>	<i>Description</i>	<i>Ref.</i>	<i>Part Number</i>	<i>Qty.</i>	<i>Description</i>
29	120-8563	1	Hose ASM	30	120-8564	1	Hose ASM
				31	119-0582	1	Hose ASM



Planetary Assembly No. 105-4500

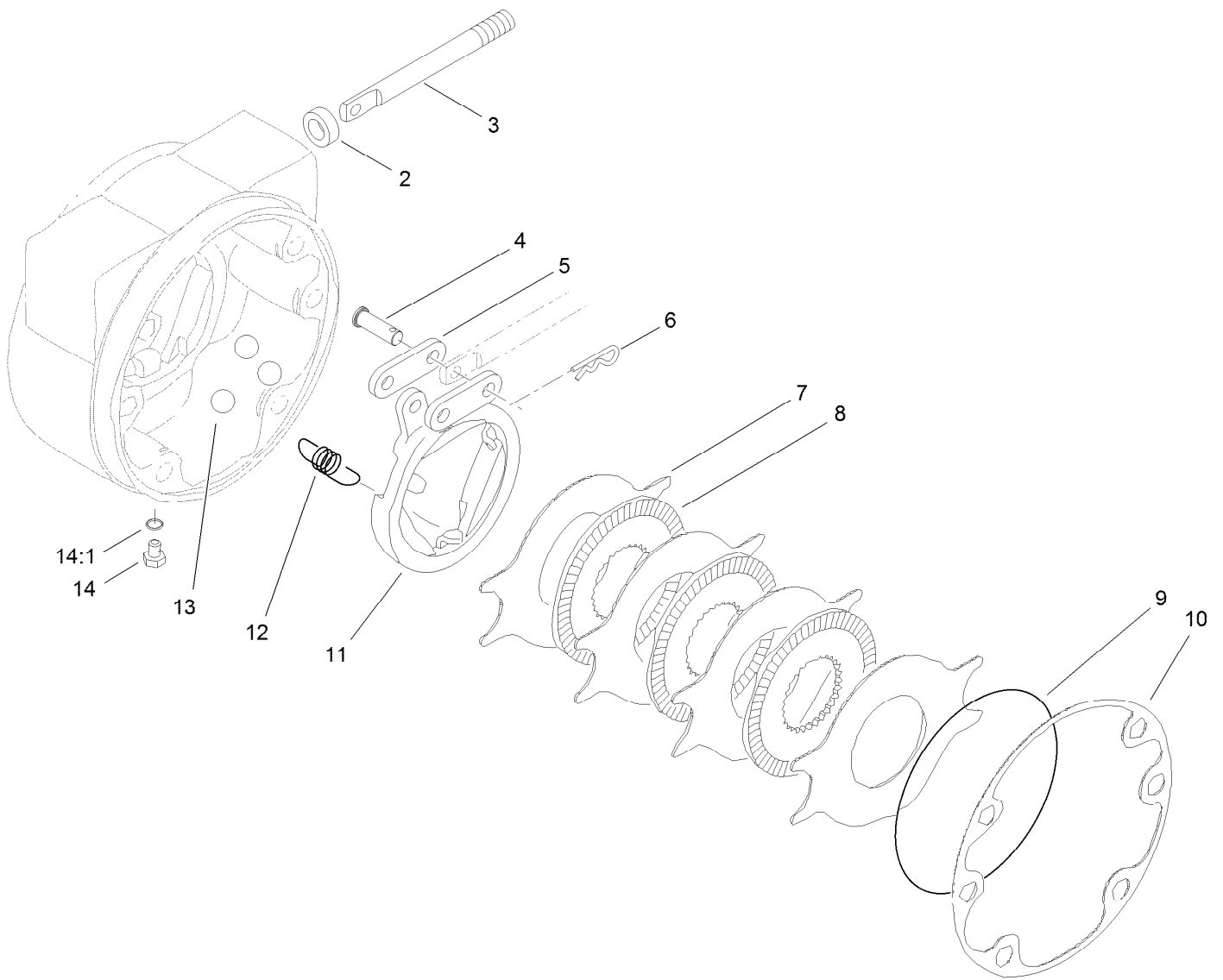
Ref.	Part Number	Qty.	Description	Ref.	Part Number	Qty.	Description
1		1	Spindle ●	24	105-8114	1	Gear-Primary
2	105-8122	1	Seal-Boot	25	105-8115	1	Shaft-Drive
4	105-8120	1	Bearing-Cone	26	105-8129	1	Carrier-Primary
5	105-8119	1	Bearing-Cup	27	105-8139	1	Gear-Secondary
6	105-8124	8	Stud-Wheel	28	105-8130	1	Carrier-Secondary
7	105-8125	16	Bolt-Head, Socket	29	105-8136	1	Shim Kit
8	3253-18	16	Washer-Lock	29:1		1	Ring-Snap ●
9		1	Housing ●	29:2		1	Shim-Bearing, 2.9Mm ●
10	105-8121	1	Pin-Dowel	29:3		1	Shim-Bearing, 2.8Mm ●
11	105-8117	1	Bearing-Cup	29:4		1	Shim-Bearing, 2.7Mm ●
12	105-8118	1	Bearing-Cone	29:5		1	Shim-Bearing, 2.6Mm ●
16	105-8113	1	Gear-Ring	29:6		1	Shim-Bearing, 2.5Mm ●
17	105-8132	1	Ring-Retaining	29:7		1	Shim-Bearing, 2.4Mm ●
18	353-990	2	Plug ASM	30	105-8137	1	Seal Kit
18:1	237-78	1	O-Ring	30:1		1	O Ring-Flange Cap ●
19	105-8138	1	Cap-End	30:2		1	Seal-Oil ●
21	105-8133	1	Plug-Thrust	30:3		2	O Ring-End Cap ●
22	105-8123	1	Washer-Thrust	30:4	237-78	2	O-Ring
23	105-8131	1	Ring-Retaining				

● Not serviced separately



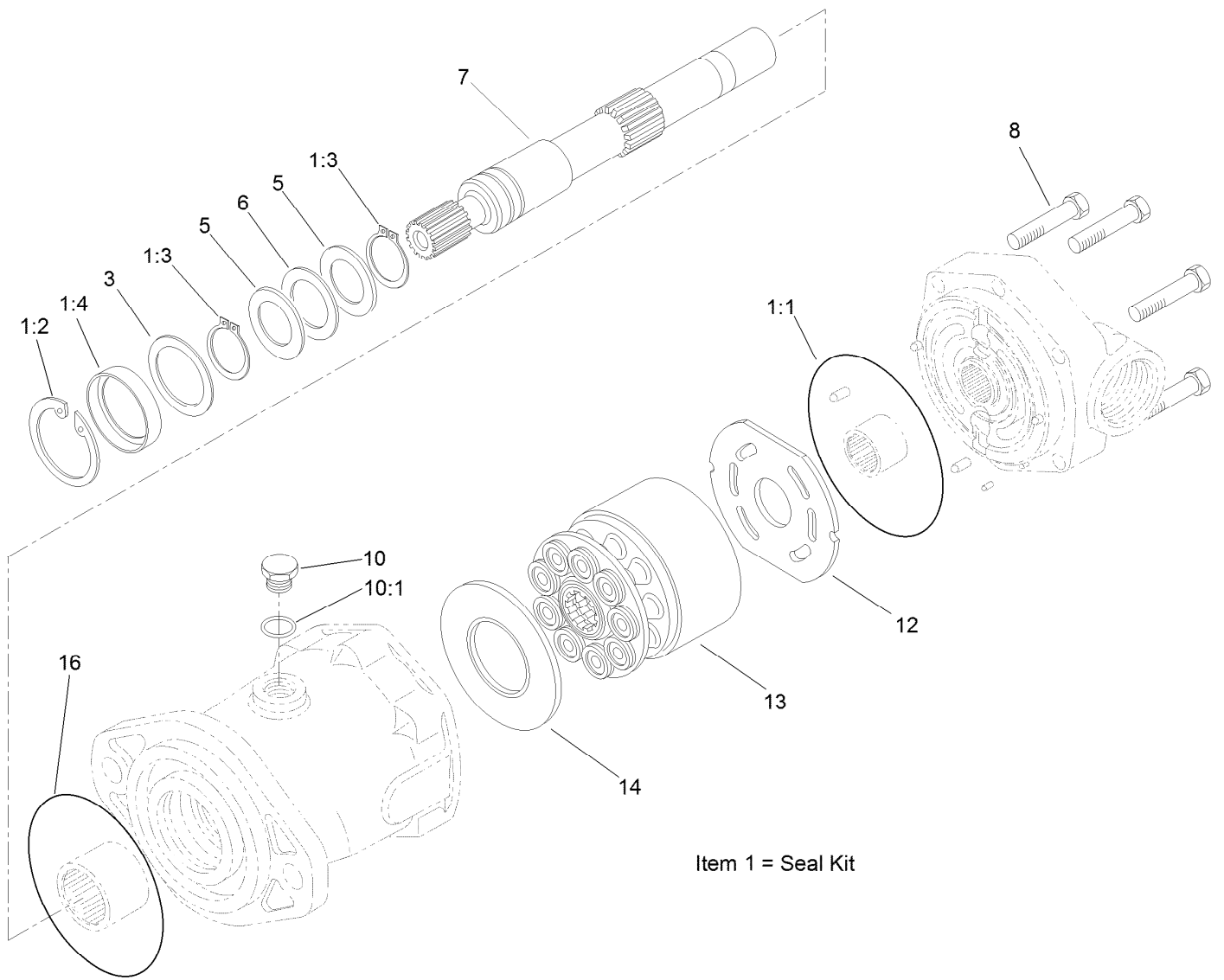
RH Brake Assembly No. 100-3069

Ref.	Part Number	Qty.	Description
2	93-7977	1	Seal
3	93-7978	1	Rod-Pull
4	93-7983	2	Pin-Clevis
5	93-7980	2	Link
6	93-7979	2	Pin-Hitch
7	93-7986	4	Disc-Stationary
8	104-4278	3	Disc-Rotating
9	93-7976	1	Ring-Retaining
10	93-7984	1	Gasket
11	104-4280	1	Actuator-Rotating
12	93-7987	3	Spring-Extension
13	93-7985	3	Ball
14	353-990	2	Plug ASM
14:1	237-78	1	O-Ring



LH Brake Assembly No. 100-3070

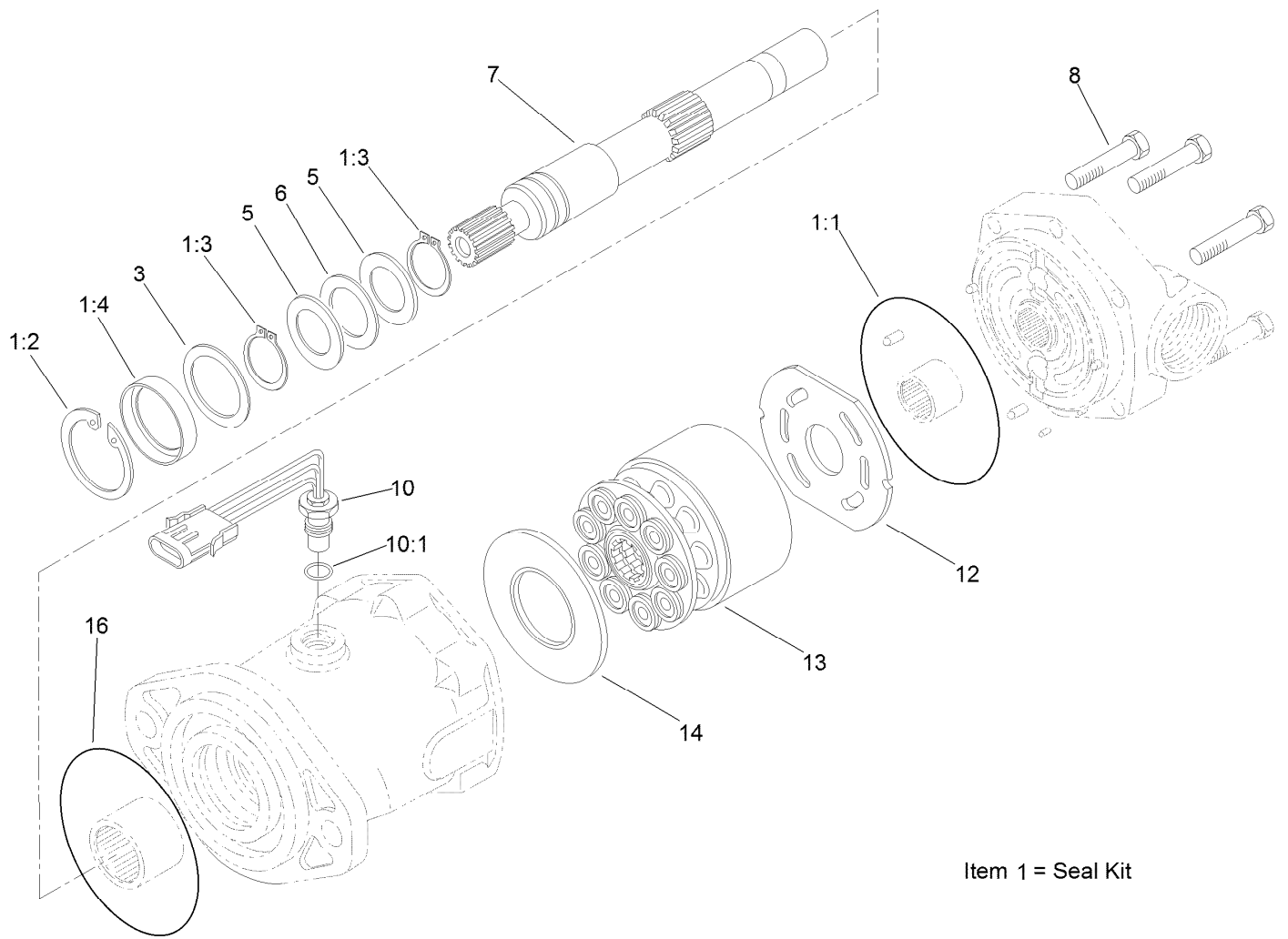
<i>Ref.</i>	<i>Part Number</i>	<i>Qty.</i>	<i>Description</i>
2	93-7977	1	Seal
3	93-7978	1	Rod-Pull
4	93-7983	2	Pin-Clevis
5	93-7980	2	Link
6	93-7979	2	Pin-Hitch
7	93-7986	4	Disc-Stationary
8	104-4278	3	Disc-Rotating
9	93-7976	1	Ring-Retaining
10	93-7984	1	Gasket
11	104-4279	1	Actuator-Rotating
12	93-7987	3	Spring-Extension
13	93-7985	3	Ball
14	353-990	2	Plug ASM
14:1	237-78	1	O-Ring



Hydraulic Motor Assembly No. 132-5631

Ref.	Part Number	Qty.	Description	Ref.	Part Number	Qty.	Description
1	106-6876	1	Seal Kit	7	94-3004	1	Shaft-Drive, Splined
1:1		1	O-Ring ●	8	94-3002	6	Screw-Cap
1:2	76-7010	1	Ring-Retaining	10	94-3009	1	Plug
1:3	76-7000	2	Ring-Retaining	10:1		1	O-Ring ●
1:4		1	Seal-Shaft ●	12	94-3003	1	Plate-Valve
3	60-6240	1	Washer	13	76-6910	1	Rotating Kit
5	76-6950	2	Race-Thrust	14	76-6970	1	Insert-Plate, Cam
6	76-6960	1	Bearing-Thrust	16	237-166	1	O-Ring

● Not serviced separately

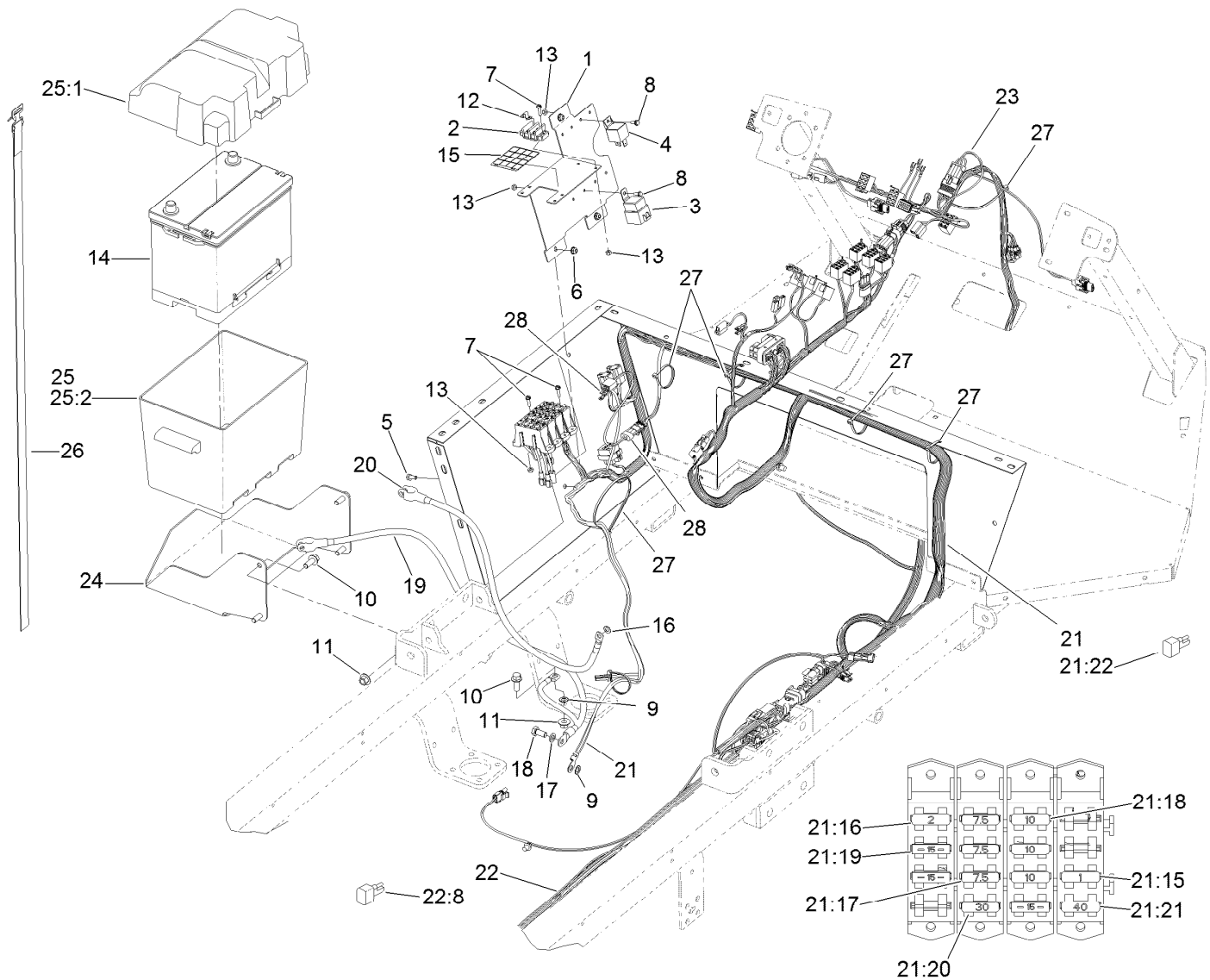


Hydraulic Motor Assembly No. 132-5630

Ref.	Part Number	Qty.	Description
1	106-6876	1	Seal Kit
1:1		1	O-Ring ●
1:2	76-7010	1	Ring-Retaining
1:3	76-7000	2	Ring-Retaining
1:4		1	Seal-Shaft ●
3	60-6240	1	Washer
5	76-6950	2	Race-Thrust
6	76-6960	1	Bearing-Thrust

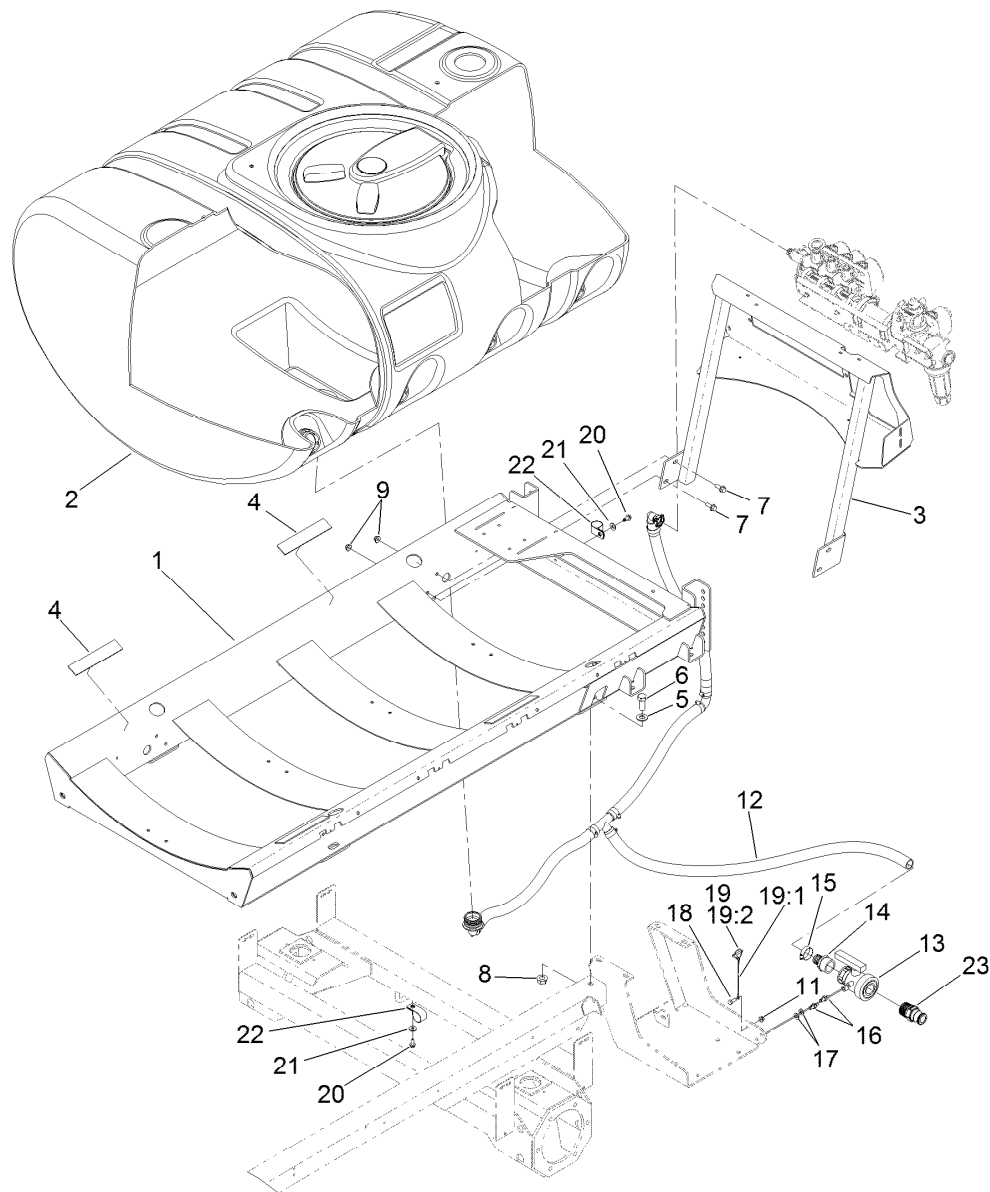
Ref.	Part Number	Qty.	Description
7	94-3004	1	Shaft-Drive, Splined
8	94-3002	6	Screw-Cap
10	94-3010	1	Sensor-Speed, Pickup
10:1		1	O-Ring ●
12	94-3003	1	Plate-Valve
13	76-6910	1	Rotating Kit
14	76-6970	1	Insert-Plate, Cam
16	237-166	1	O-Ring

● Not serviced separately



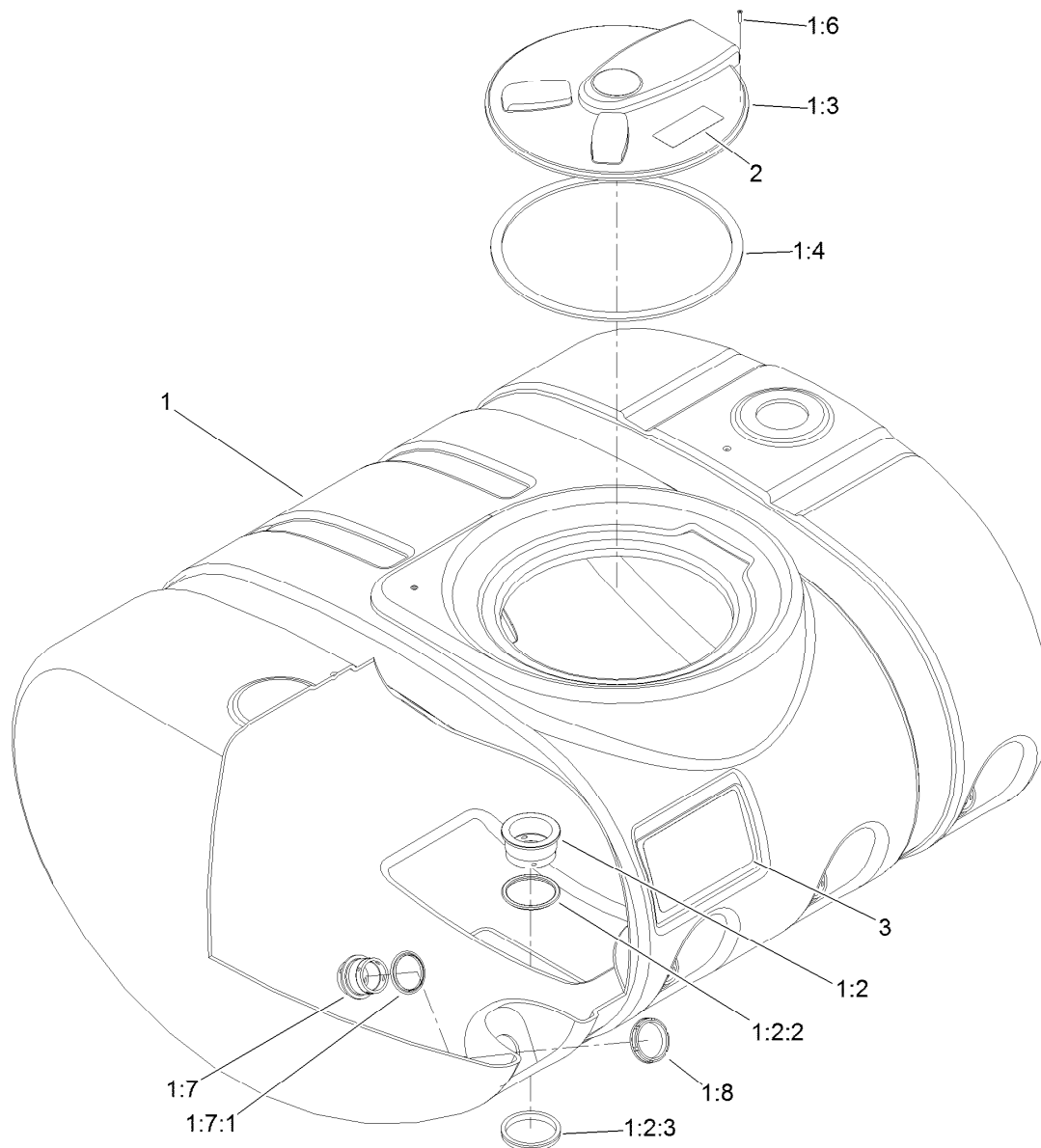
Electrical Assembly

Ref.	Part Number	Qty.	Description	Ref.	Part Number	Qty.	Description
1	133-2757-01	1	Panel-Electrical	21	122-0671	1	Harness-Wire
2	42862	1	Block-Terminal, Ground	21:15	104-9055	1	Fuse-Blade, 1 Amp
3	99-7430	1	Relay	21:16	94-6710	1	Fuse-2 Amp
4	99-7435	1	Relay-Power	21:17	114241	3	Fuse-Blade, 7.5 Amp
5	321-3	3	Screw-HH	21:18	218-578	3	Fuse-Blade, 10 Amp
6	104-7201	3	Nut-HF	21:19	109355	3	Fuse-Blade, 15 Amp
7	32105-13	4	Screw-HWH	21:20	109103	1	Fuse-Blade, 30 Amp
8	3290-321	2	Screw-HWH	21:21	99-6124	1	Fuse-40 Amp
9	3255-9	2	Washer-Lock	21:22	100-4918	2	Diode
10	3234-11	5	Screw-HHF	22	122-0694	1	Harness-Wire, Rear
11	32128-43	5	Nut-Flange	22:8	100-4918	4	Diode
12	42863	1	Strip-Jumper	23	122-0695	1	Harness-Wire, Auto/MAN
13	3296-2	6	Nut-Lock, NI	24	119-5049-03	1	Bracket-Battery
14	106-5190	1	Battery	25	93-7595	1	Battery Box ASM
15	133-2758	1	Decal-Fuse	25:1	105-2914	1	Top-Battery Box
16	3255-8	1	Washer-Lock	25:2	105-2915	1	Bottom-Battery Box
17	48-9590	1	Washer-Lock	26	3339-175	1	Strapping-Web
18	63-7790	1	Screw-Cap	27	3290-379	6	Tie-Cable
19	120-0615	1	Cable-Battery, Negative	28	108-8657	1	Harness-Wire, Seat
20	105-0114	1	Cable-Battery, Positive				



Tank and Saddle Assembly

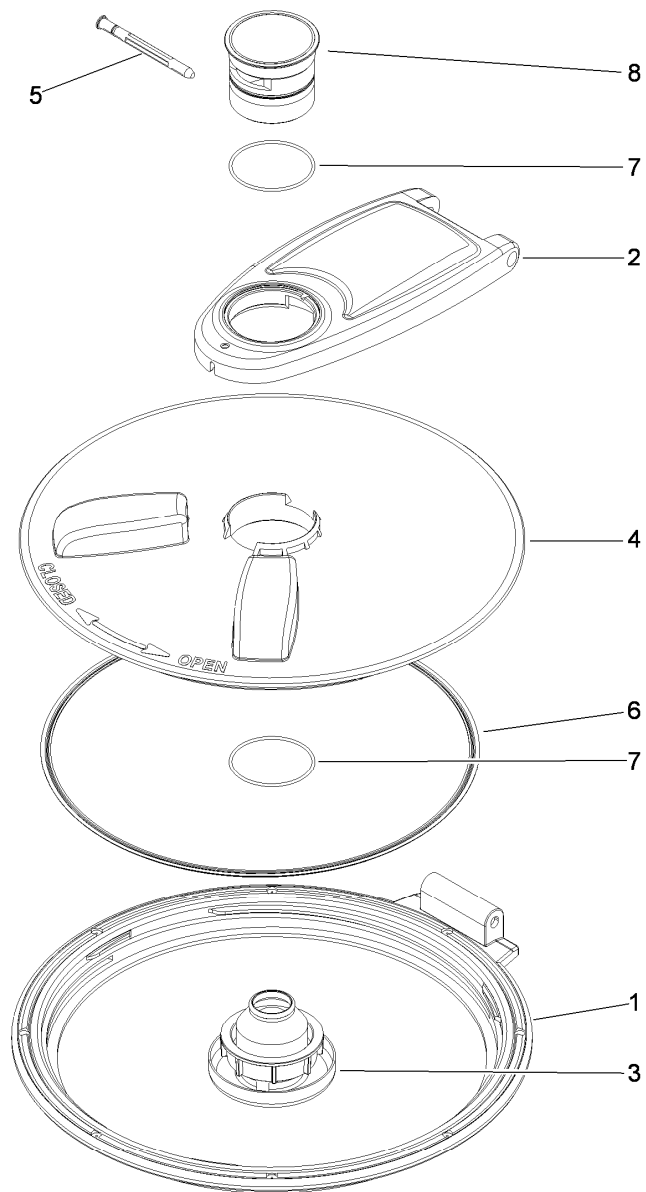
<i>Ref.</i>	<i>Part Number</i>	<i>Qty.</i>	<i>Description</i>	<i>Ref.</i>	<i>Part Number</i>	<i>Qty.</i>	<i>Description</i>
1	130-7092-03	1	Tank Saddle ASM	14	110-5224	1	Fitting-Barbed, Straight
2	117-8005	1	Tank ASM	15	2412-34	1	Clamp-Hose
3	131-3744-03	1	Mount-Valve	16	112-7900	2	Mount-Peg
4	104-7102	4	Pad-Battery	17	62-1230	2	Washer-Rubber
5	3256-27	6	Washer-Flat	18	322-3	1	Screw-HH
6	327-4	6	Screw-HH	19	98-0979	1	Lynch Pin ASM
7	3234-11	4	Screw-HHF	19:1	28-8070	1	Lanyard
8	32128-50	6	Nut-Flange	19:2	3290-495	1	Pin-Klik
9	104-8301	4	Nut-HF, NI	20	32104-32	2	Screw-HWH
11	104-8300	1	Nut-HF, NI	21	3256-3	2	Washer-Flat
12	132-4297	1	Bypass Hose ASM	22	2412-147	2	Clamp-R
13	108-0069	1	Valve-Ball	23	132-7787	1	Coupler-Quick



Tank Assembly No. 117-8005

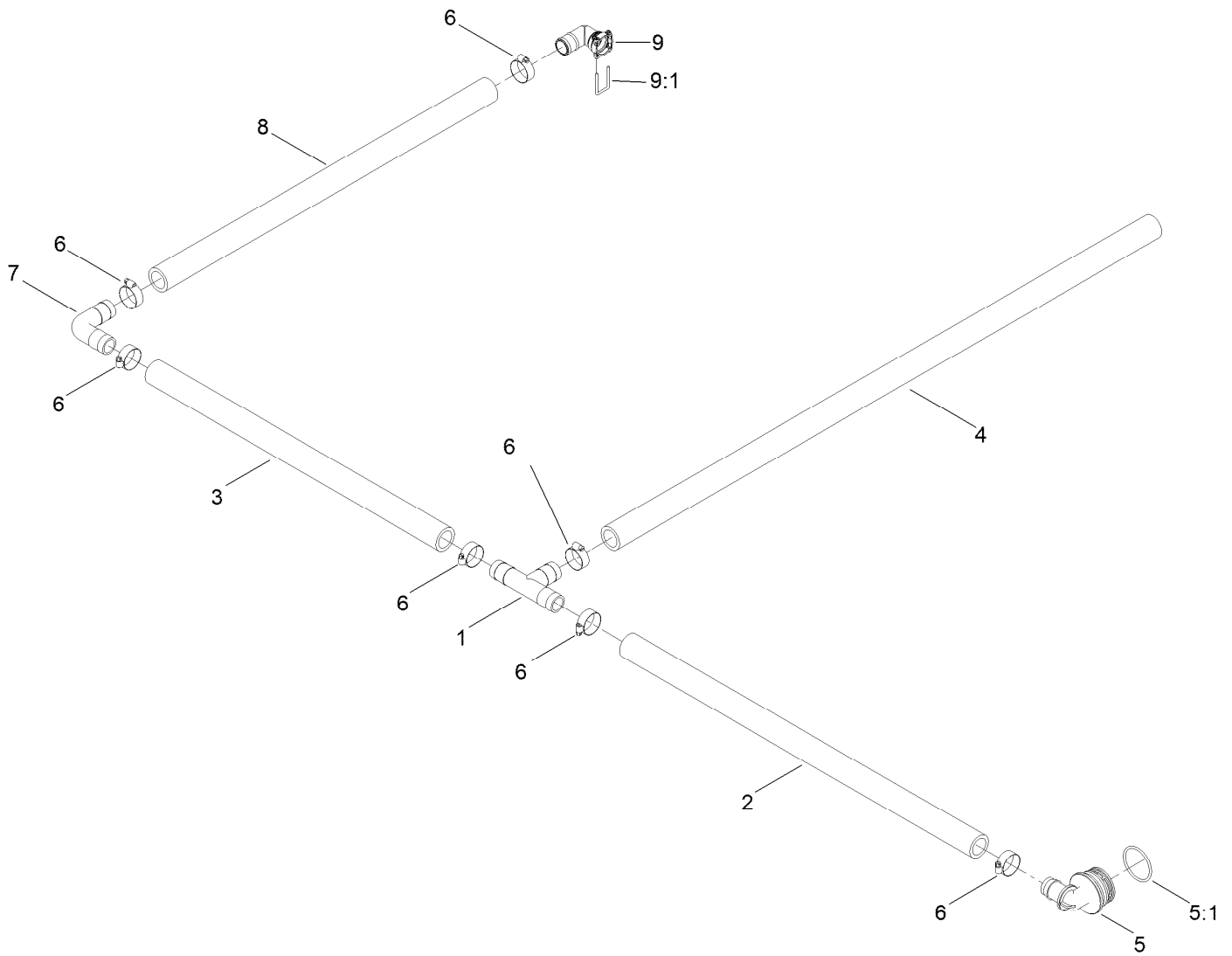
<i>Ref.</i>	<i>Part Number</i>	<i>Qty.</i>	<i>Description</i>
1		1	Tank ASM ●
1:2	117-7851	1	Bulkhead ASM
1:2:2	100-8646	1	Gasket-Bulkhead
1:2:3	100-8647	1	Nut-Bulkhead
1:3	119-9380	1	Spray Tank Lid ASM
1:4	119-9378	1	Gasket-Lid, Tank
1:6	107-8635	8	Screw-PFH
1:7	108-3358	4	Fitting-Bulkhead
1:7:1	107-2864	1	Gasket-Bulkhead
1:8	100-7051	4	Nut-Bulkhead
2	120-0622	1	Decal-Warning
3	119-5042	2	Decal-Tank

● Not serviced separately



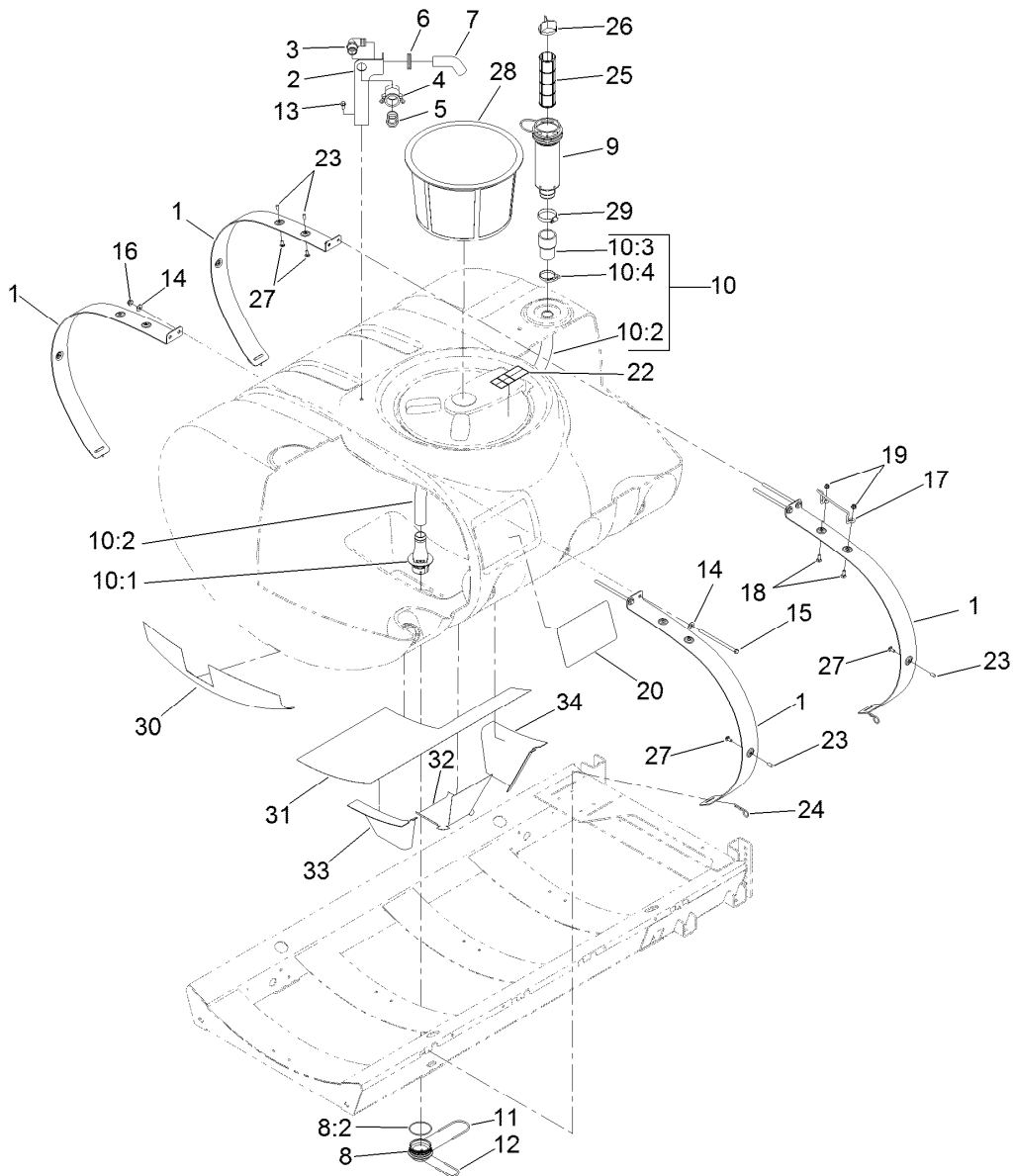
Spray Tank Lid Assembly No. 119-9380

<i>Ref.</i>	<i>Part Number</i>	<i>Qty.</i>	<i>Description</i>
1	119-9381	1	Ring-Lid
2	119-9382	1	Arm-Lid
3	119-9383	1	Vent-Lid
4	119-9384	1	Cover-Lid
5	119-9385	1	Pin-Pivot
6	106-5004	1	Seal-Lid
7	119-9386	2	O-Ring
8	119-9387	1	Cap-Lid



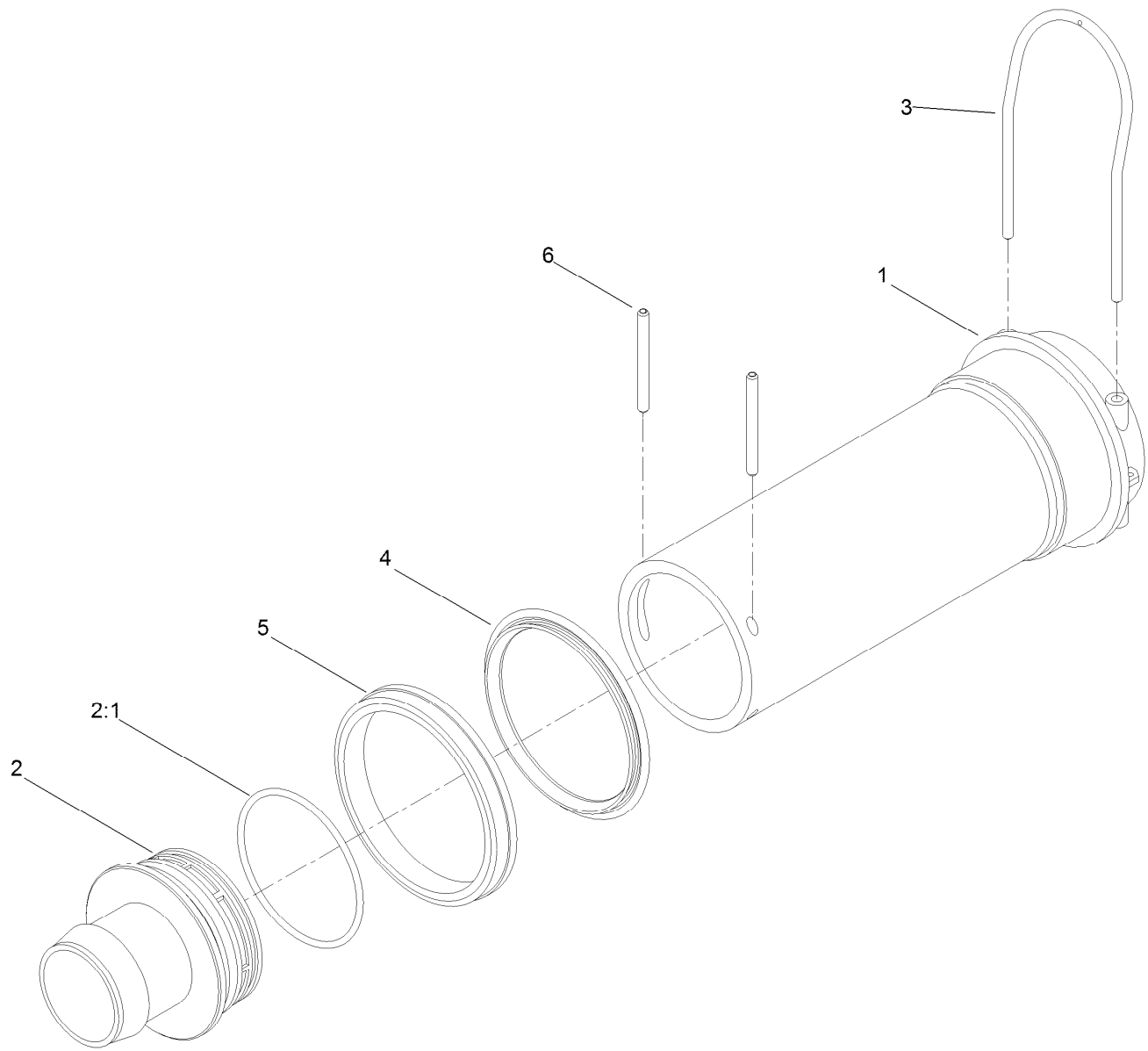
Bypass Hose Assembly No. 132-4297

Ref.	Part Number	Qty.	Description
1	117-7866	1	Tee-Hosebarb
2	131-5775	1	Hose-Drain
3	131-5825	1	Hose-Drain
4	131-5777	1	Hose-Drain
5	106-4933	1	Hosebarb ASM
5:1	100-8637	1	O-Ring
6	2412-34	7	Clamp-Hose
7	117-7867	1	Elbow-Hosebarb
8	131-5824	1	Hose-Drain
9	131-0213	1	90 DEG Barb Fitting Kit
9:1	133-0398	1	Pin-Fork



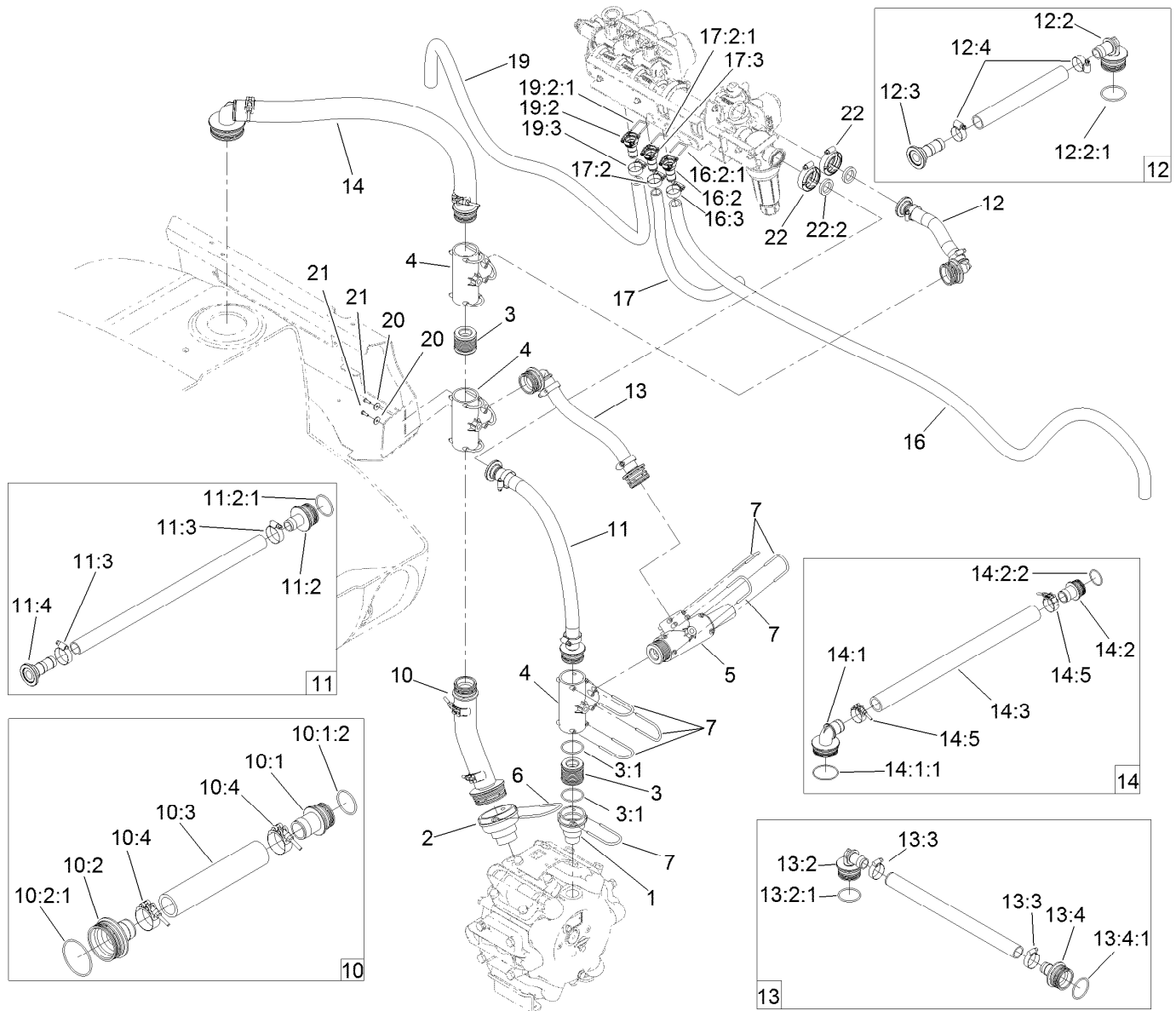
Tank Mounting and Filter Assembly

Ref.	Part Number	Qty.	Description	Ref.	Part Number	Qty.	Description
1	117-8029-03	4	Band-Tank	17	119-5019	1	Stop-Lid
2	110-5082-03	1	Bracket-Anti Siphon	18	3230-2	2	Bolt-CARR
3	41140	1	Elbow	19	104-8300	2	Nut-HF, NI
4	100-6779	1	Coupling-Female	20	131-3316	2	Decal-Tank
5	41316	1	Adapter-Quick	22	120-0622	1	Decal-Warning
6	110-5090	1	Grommet	23	42452	5	Cap-Protective
7	110-5088	1	Hose-Fill	24	3290-343	4	Pin-Hair
8	117-7928	1	Adapter ASM	25	100-6991	1	Element-Filter, Green
8:2	100-6989	1	O-Ring	25	100-6992	1	Element-Filter, Red
9	130-7096	1	Filter ASM	25	100-8642	1	Screen-Suction
10	121-5003	1	Suction Tube ASM	26	100-8641	1	Vane-Screen
10:1	121-5008	1	Foot-Suction	27	3230-1	5	Bolt-CARR
10:2	121-5030	1	Tube-Suction	28	119-9419	1	Basket-Filter
10:3	121-5031	1	Connector-Suction	29	2412-130	1	Clamp-Hose
10:4	121-5047	1	Clamp-Nylon	30	130-7139	1	Shield-Heat Tape, Front
11	117-7996	1	Fork	31	130-7140	1	Shield-Heat Tape, Bottom
12	100-8635	1	Fork	32	130-7141	1	Shield-Heat Tape, Sump
13	3234-5	1	Screw-HHF	33	131-3298	1	Shield-Heat Tape, Sump, Front
14	3256-4	8	Washer-Flat	34	131-3299	1	Shield-Heat Tape, Sump, Rear
15	120-0649	4	Bolt-TAP HH				
16	104-8301	4	Nut-HF, NI				



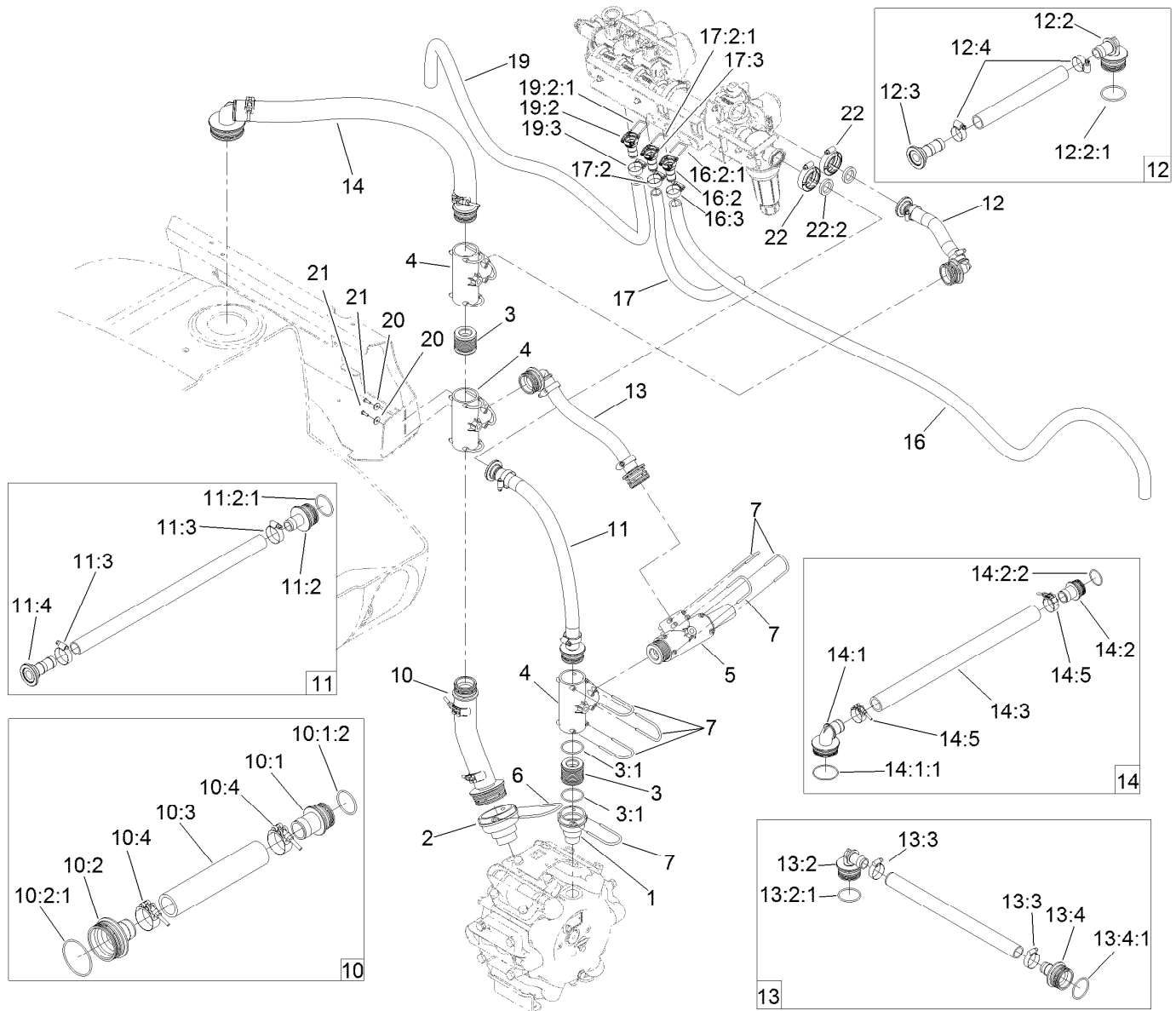
Filter Assembly No. 130-7096

<i>Ref.</i>	<i>Part Number</i>	<i>Qty.</i>	<i>Description</i>
1	100-8643	1	Housing-Filter
2	106-4942	1	Hosebarb-Straight
2:1	100-6989	1	O-Ring
3	100-8636	1	Fork-Special
4	100-8646	1	Gasket-Bulkhead
5	100-8647	1	Nut-Bulkhead
6	100-8644	2	Pin-Expansion



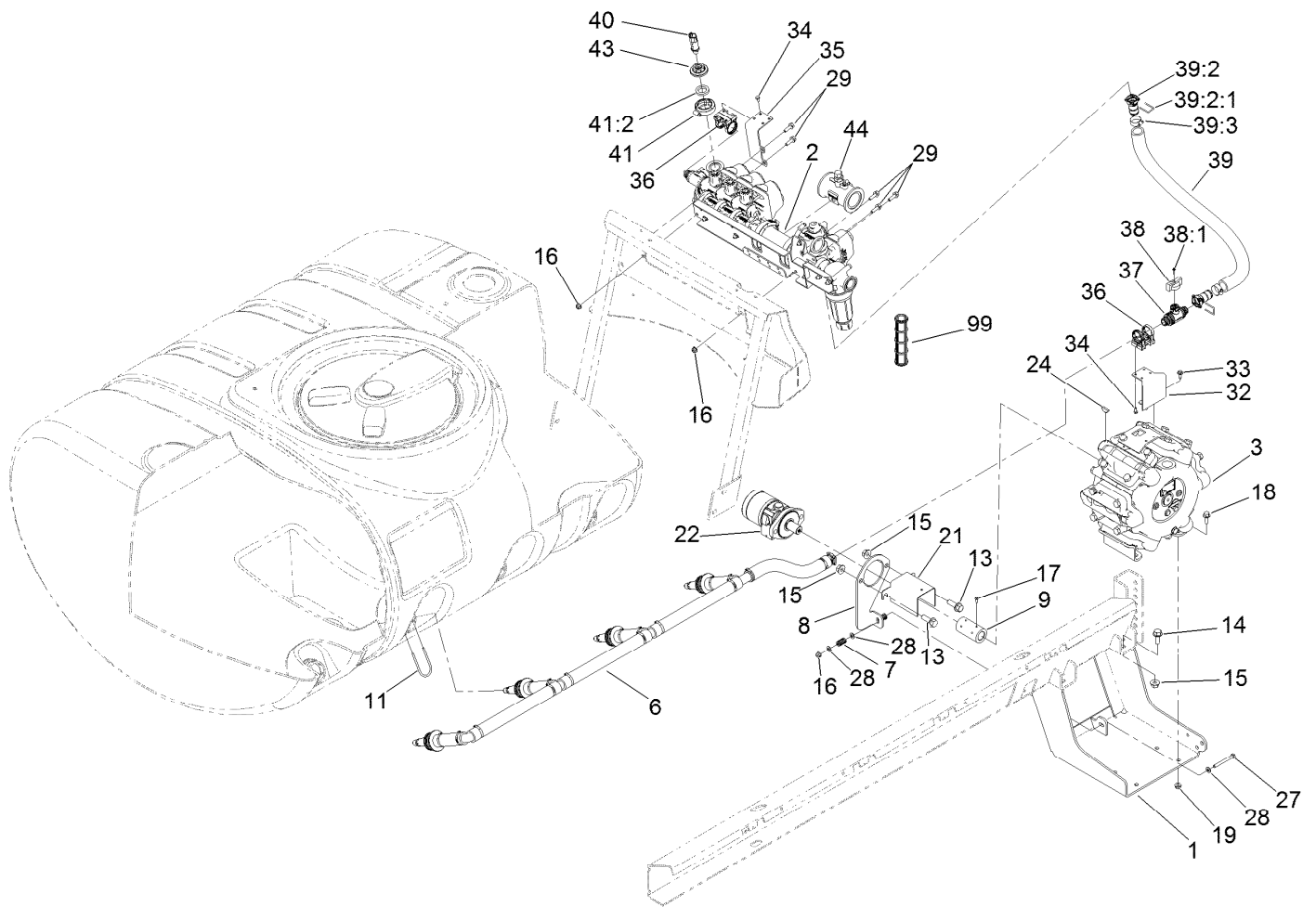
Spray System Hose Assembly

Ref.	Part Number	Qty.	Description	Ref.	Part Number	Qty.	Description
1	117-7859	1	Fitting-Pump	12:2	106-4933	1	Hosebarb ASM
2	117-7858	1	Fitting-Pump	12:2:1	100-8637	1	O-Ring
3	106-4947	2	Connector	12:3	127-1142	1	Fitting-Barb
3:1	100-8637	2	O-Ring	12:4	2412-129	2	Clamp-Hose
4	100-6704	3	Tee	13	117-7963	1	Pressure Relief Hose ASM
5	117-7874	1	Relief Valve ASM	13:2	106-4933	2	Hosebarb ASM
6	117-7996	1	Fork	13:2:1	100-8637	1	O-Ring
7	100-8635	11	Fork	13:3	2412-3	2	Clamp-Hose
10	130-7128	1	Lower Suction Hose ASM	13:4	106-4932	1	Hosebarb-Straight
10:1	117-7982	1	Hosebarb ASM	13:4:1	100-8637	1	O-Ring
10:1:2	100-8637	1	O-Ring	14	130-7127	1	Upper Suction Hose ASM
10:2	117-7965	1	Hosebarb ASM	14:1	106-4952	1	Hosebarb-90 DEG
10:2:1	100-6989	1	O-Ring	14:1:1	100-6989	1	O-Ring
10:3	127-8982	1	Hose-Suction, Lower	14:2	117-7982	1	Hosebarb ASM
10:4	130-7125	2	Clamp, T-Bolt	14:2:2	100-8637	1	O-Ring
11	132-4295	1	Supply Hose ASM	14:3	127-8981	1	Hose-Suction, Upper
11:2	106-4932	1	Hosebarb-Straight	14:5	130-7125	2	Clamp, T-Bolt
11:2:1	100-8637	1	O-Ring	16	132-4298	1	Left Boom Hose ASM
11:3	2412-3	2	Clamp-Hose	16:2	127-9807	1	Straight Fitting Kit
11:4	127-1142	1	Fitting-Barb	16:2:1	133-0398	1	Pin-Fork
12	132-4296	1	Agitation Bypass Hose ASM	16:3	2412-129	1	Clamp-Hose



Spray System Hose Assembly (continued)

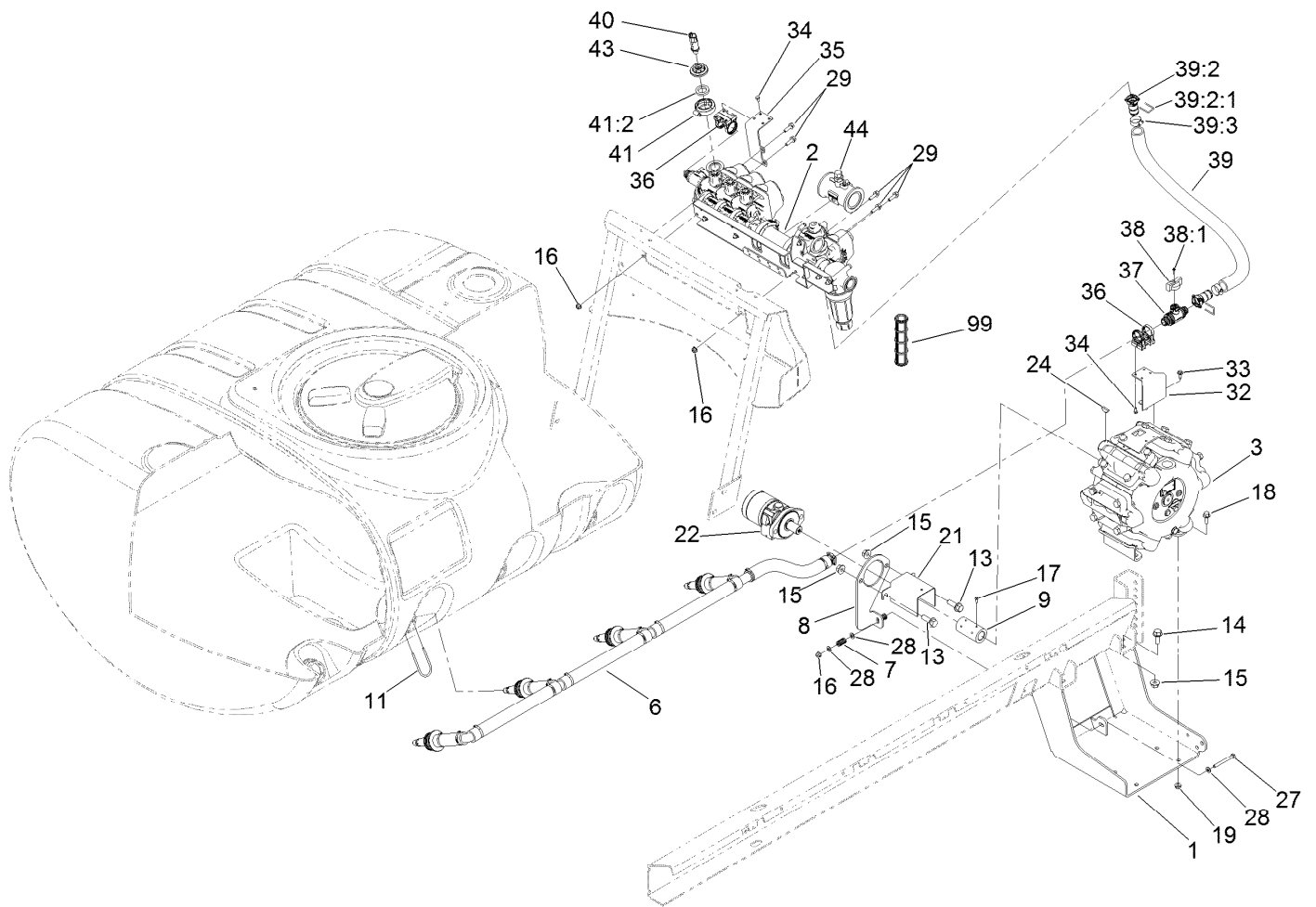
<i>Ref.</i>	<i>Part Number</i>	<i>Qty.</i>	<i>Description</i>	<i>Ref.</i>	<i>Part Number</i>	<i>Qty.</i>	<i>Description</i>
17	132-4299	1	Center Boom Hose ASM	19:2:1	133-0398	1	Pin-Fork
17:2	127-9807	1	Straight Fitting Kit	19:3	2412-129	1	Clamp-Hose
17:2:1	133-0398	1	Pin-Fork	20	3256-61	2	Washer-Flat
17:3	2412-129	1	Clamp-Hose	21	32144-32	2	Screw
19	132-4300	1	Right Boom Hose ASM	22	127-9829	2	Clamp/Gasket Kit
19:2	127-9807	1	Straight Fitting Kit	22:2	127-1145	1	Gasket-Flange



Spray Pump and Valve Assembly

Ref.	Part Number	Qty.	Description	Ref.	Part Number	Qty.	Description
1	117-0655-03	1	Bracket-Pump	27	322-14	1	Screw-HH
2		1	Spray Manifold ASM ●	28	3256-23	5	Washer-Plain
3	117-0713	1	Pump ASM	29	3234-29	5	Screw-HHF
6	132-4309	1	Agitation Hose ASM	32	132-4301-03	1	Bracket-Valve, Agitation
7	110-5331	2	Spring-Compression	33	119-4012	2	Screw-HWHTF
8	117-8040-03	1	Plate-Mount, Motor	34	33113-012	8	Screw-HH
9	117-8045	1	Coupler	35	132-4303-03	1	Mount-Valve, Bypass
11	100-8635	4	Fork	36	132-4302	2	Mount-Valve
13	100-6116	2	Screw-HHF	37	131-0249	1	On/Off 2-Way Valve Kit
14	110-5057	4	Capscrew-HHF	38	131-0264	1	Agitation Throttling Handle Kit
15	108-3745	6	Nut-HHF, Whiz	38:1	131-0263	1	Screw-Handle
16	104-8300	6	Nut-HF, NI	39	132-4310	1	Agitation Supply Hose ASM
17	3241-7	4	Screw-SQH	39:2	127-9806	2	Fitting Kit
18	3234-11	4	Screw-HHF	39:2:1	133-0398	1	Pin-Fork
19	3290-357	4	Nut-HHF, Whiz	39:3	2412-34	2	Clamp-Hose
21	120-0628-03	1	Guard-Shaft, Pump	40	130-8202	1	Transducer-Pressure
22	117-0706	1	HYD Motor ASM	41	127-9829	1	Clamp/Gasket Kit
24	106-1990	1	Key-Woodruff				

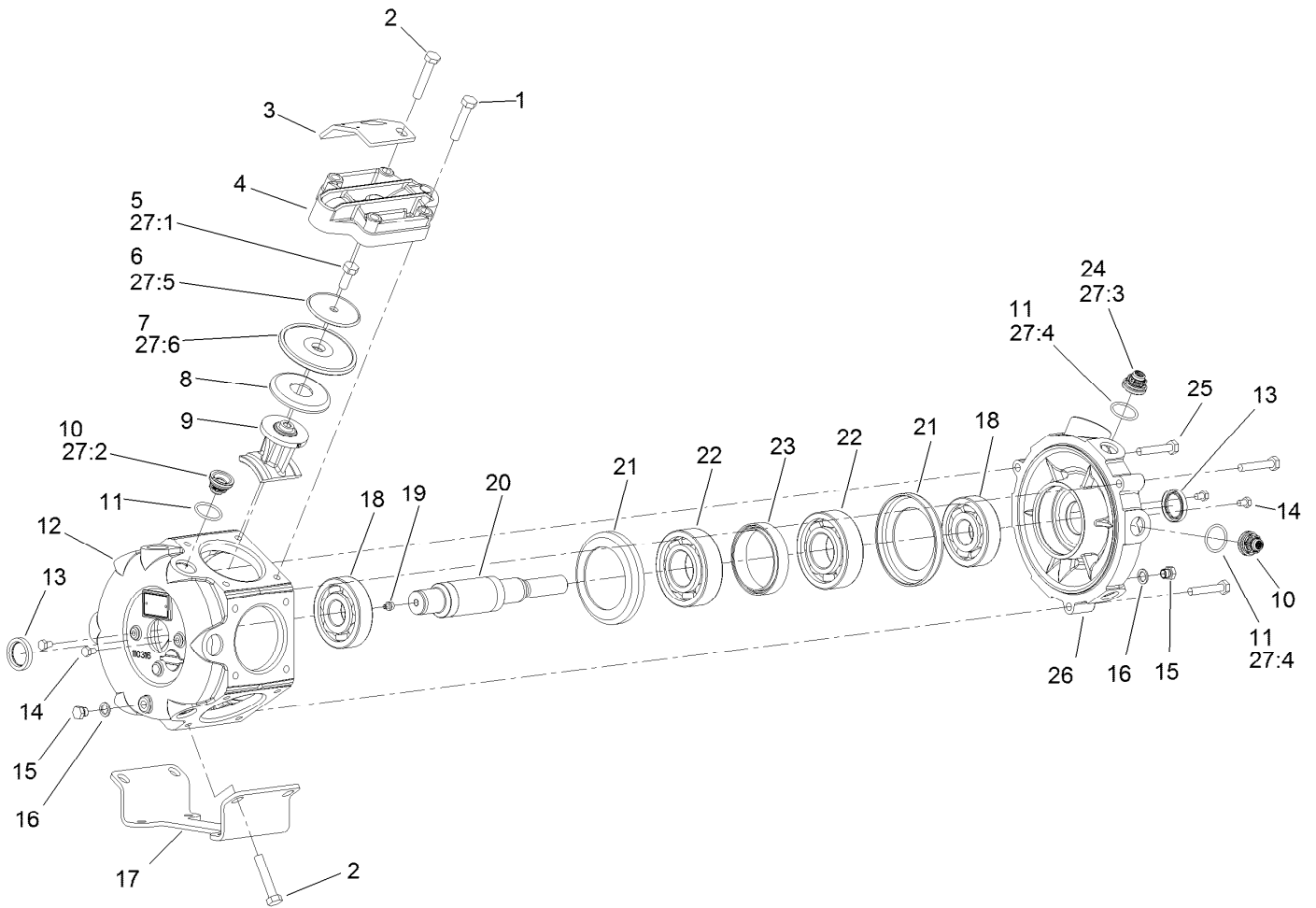
● Not serviced separately



Spray Pump and Valve Assembly (continued)

<i>Ref.</i>	<i>Part Number</i>	<i>Qty.</i>	<i>Description</i>	<i>Ref.</i>	<i>Part Number</i>	<i>Qty.</i>	<i>Description</i>
41:2	127-1145	1	Gasket-Flange	44	106-1038	1	Flow Meter ASM
43	127-1185	1	Fitting-Cap, Port	99	133-0385	2	Screen-Teejet, 50 Mesh

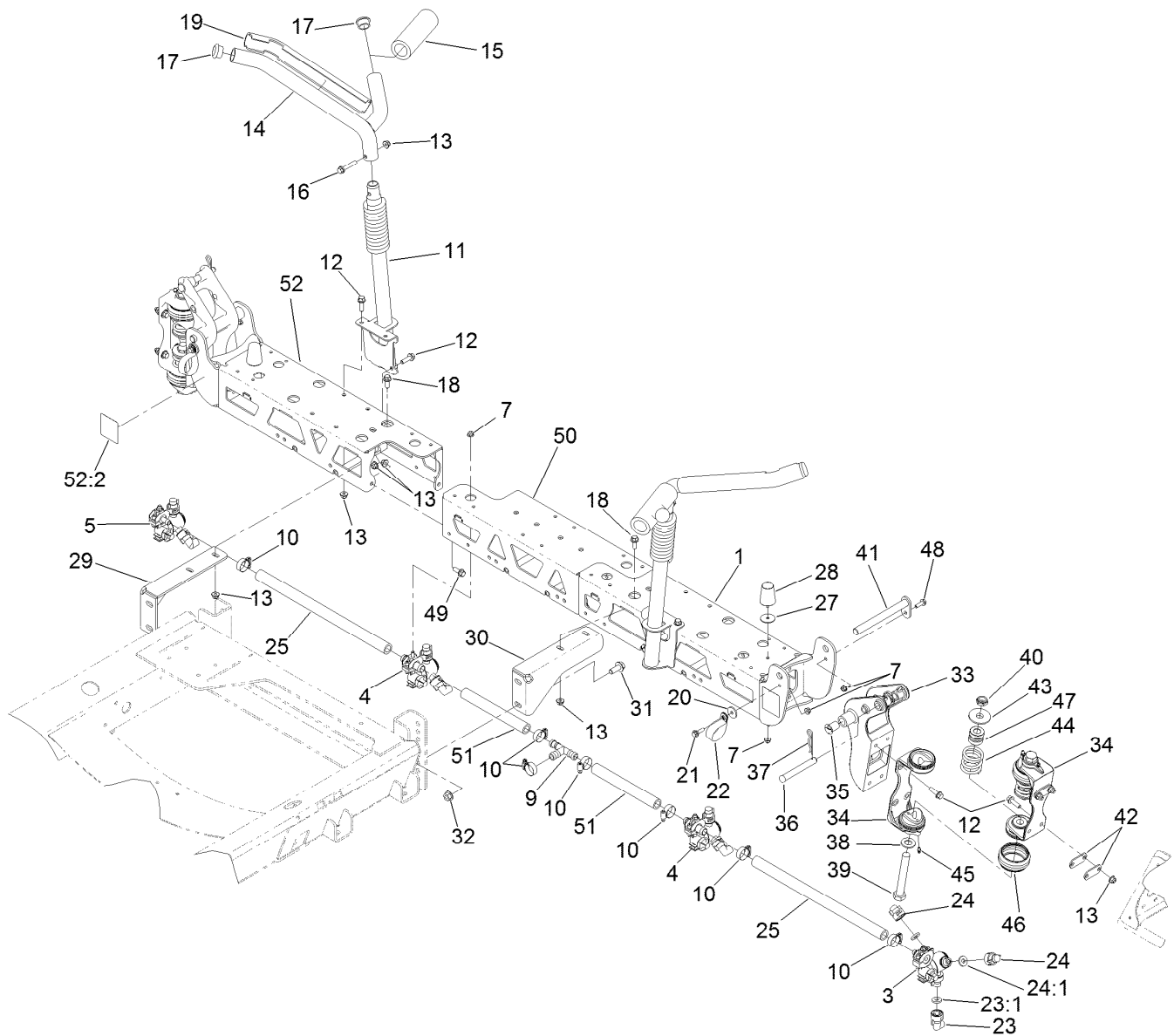
● Not serviced separately



Pump Assembly No. 117-0713

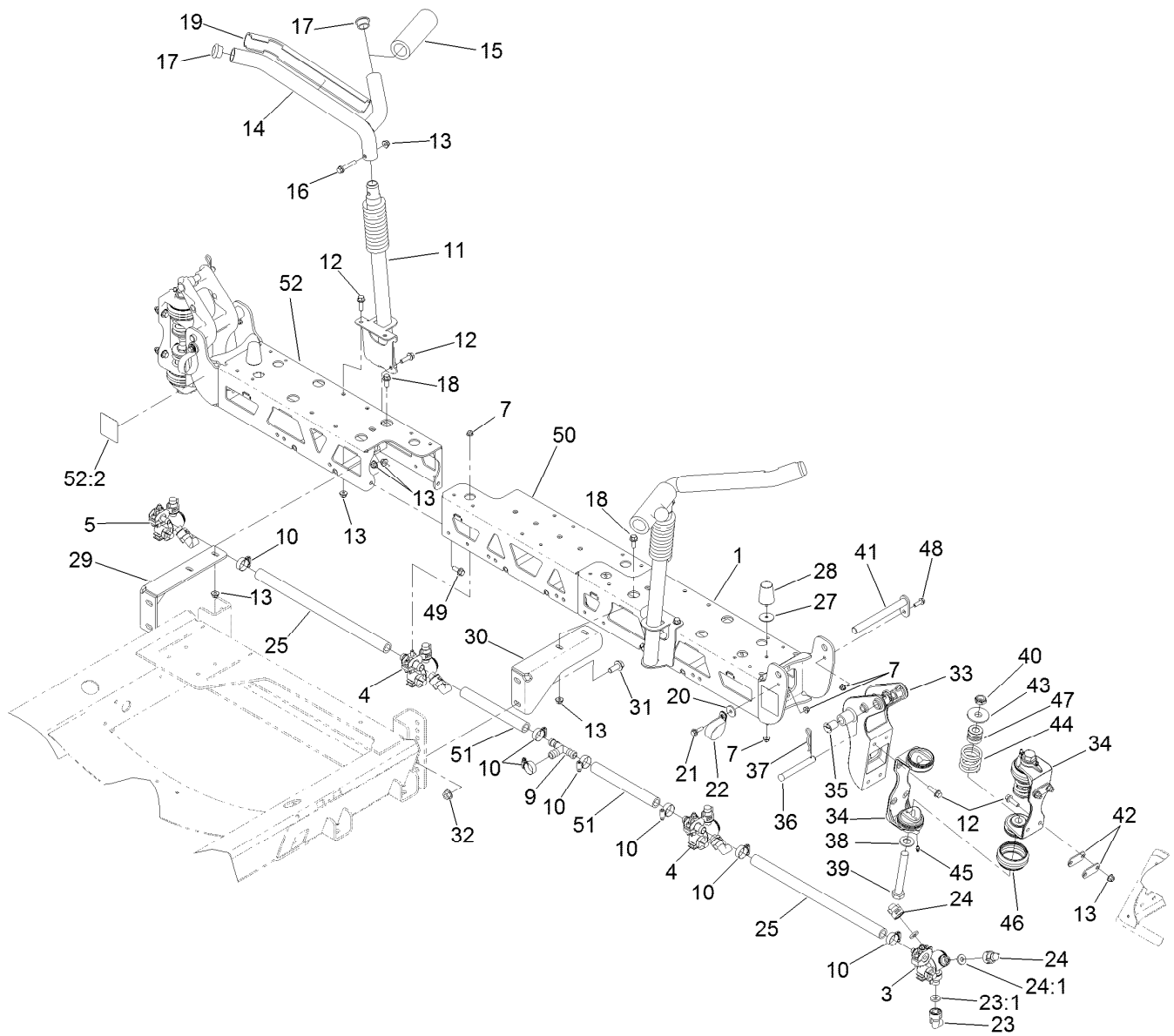
Ref.	Part Number	Qty.	Description	Ref.	Part Number	Qty.	Description
1	120-0773	18	Bolt-Hex	18	120-0788	2	Bearing-Ball
2	120-0774	6	Bolt-Hex	19	99-0873	1	Fitting-Grease
3	120-0775	1	Bracket-Pump	20	120-0789	1	Shaft-Crank
4	133-2824	6	Cover-Pump, Hardened	21	120-0790	2	Spacer-Metal
5	120-0777	6	Bolt-Hex	22	120-0791	2	Bearing-Ball
6	120-0778	6	Disc-Diaphragm	23	120-0792	1	Spacer
7	120-0779	6	Diaphragm	24	120-0793	2	Valve W/Hole
8	120-0780	6	Disc-Backing, Diaphragm	25	120-0794	3	Bolt-Hex
9	120-0781	6	Rod-Connecting	26	120-0795	1	Casting-Pump
10	99-0861	10	Valve-Pump	27	120-0796	1	Pump Kit ●
11	100-6651	12	O-Ring	27:1	120-0777	6	Bolt-Hex
12	120-0782	1	Casting-Pump	27:2	99-0861	10	Valve-Pump
13	120-0783	2	Seal-Oil	27:3	120-0793	2	Valve W/Hole
14	120-0784	4	Bolt-Hex	27:4	100-6651	12	O-Ring
15	120-0785	2	Plug	27:5	120-0778	6	Disc-Diaphragm
16	120-0786	2	Seal	27:6	120-0779	6	Diaphragm
17	120-0787	1	Foot-Pump				

● Not illustrated



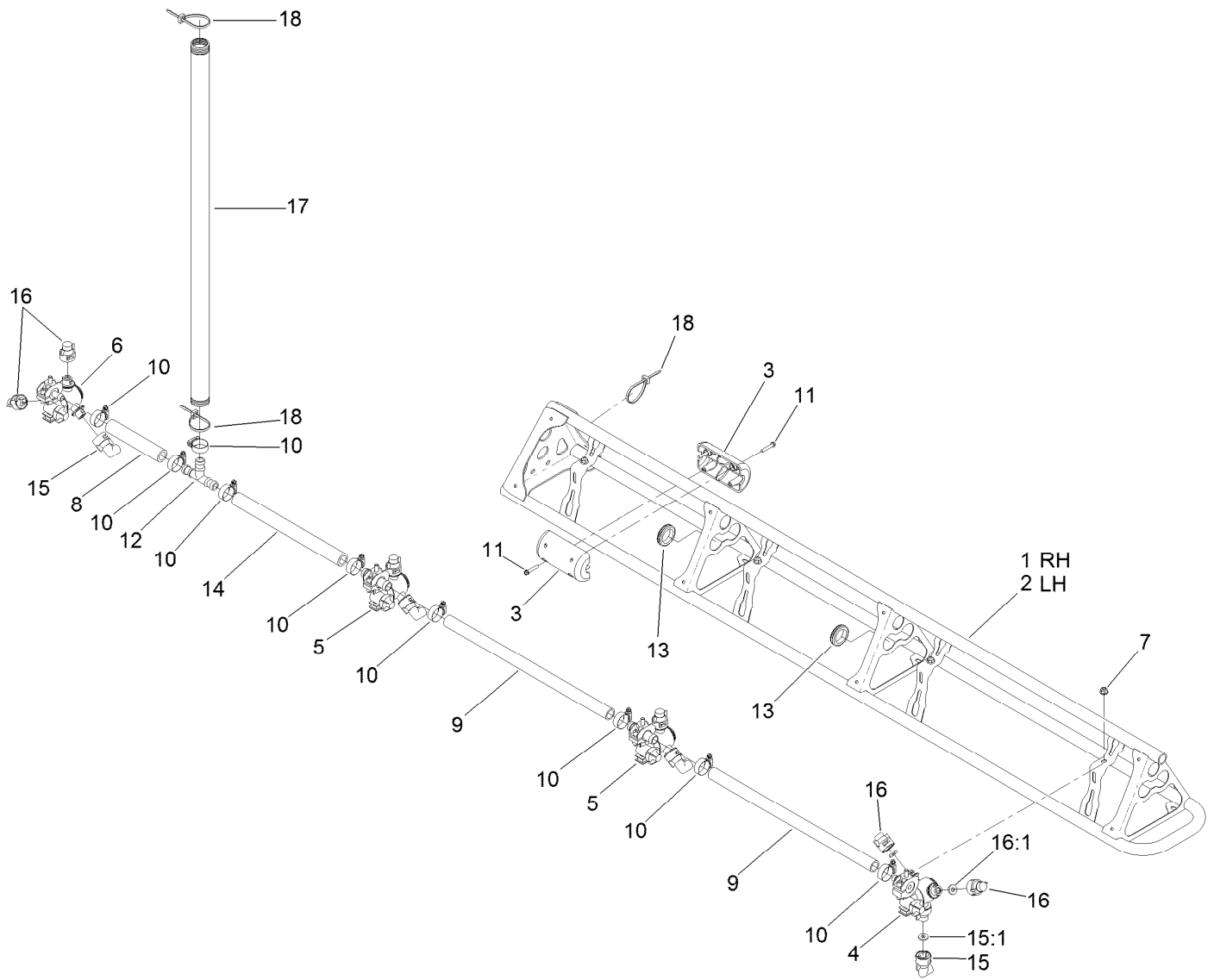
Center Boom Assembly

Ref.	Part Number	Qty.	Description	Ref.	Part Number	Qty.	Description
1	136-0381	1	Boom-LH	24	95-9187	8	Cap-Blank
3	108-3725	1	LH Single Body Turret ASM	24:1	40998	1	Seat-Gasket
4	108-3727	2	Double Turret Body ASM	25	108-3735	2	Hose-Boom, Center (LH)
5	108-3726	1	RH Single Body Turret ASM	27	3256-68	2	Washer-Flat
7	104-8300	10	Nut-HF, NI	28	110-5070	2	Bumper
9	108-3439	1	Tee	29	127-8955-03	1	Mount-Boom
10	2412-129	7	Clamp-Hose	30	127-8956-03	1	Mount-Boom
11	130-8238-03	2	Lower Cradle ASM	31	110-5057	4	Capscrew-HHF
12	110-5050	22	Screw-HHF	32	108-3745	4	Nut-HHF, Whiz
13	104-8301	32	Nut-HF, NI	33	119-4993-03	2	Bracket-Pivot
14	108-3476-03	2	Cradle-Upper	34	108-3471-03	4	Hinge
15	108-3457	2	Spacer	35	100-8541	4	Bushing-A Arm
16	108-3742	2	Screw-HHF	36	108-3436	2	Pin-Clevis
17	108-3489	4	Cap-Tube	37	3290-468	2	Pin-Cotter
18	110-5052	4	Screw-HHF	38	110-5054	4	Washer-Flat
19	108-3495	2	Cover-Slide	39	108-3738	4	Screw-HH
20	108-3743	2	Washer	40	3296-15	4	Nut-Lock, NI
21	108-3744	2	Screw-Shoulder	41	108-3419	2	Pivot Pin ASM
22	114-9566	2	Clamp-R	42	108-3605	8	Plate-Backing
23	95-9186	4	Cap	43	108-3444	4	Retainer-Spring
23:1	40998	1	Seat-Gasket	44	108-3440	4	Spring-Breakaway, Boom



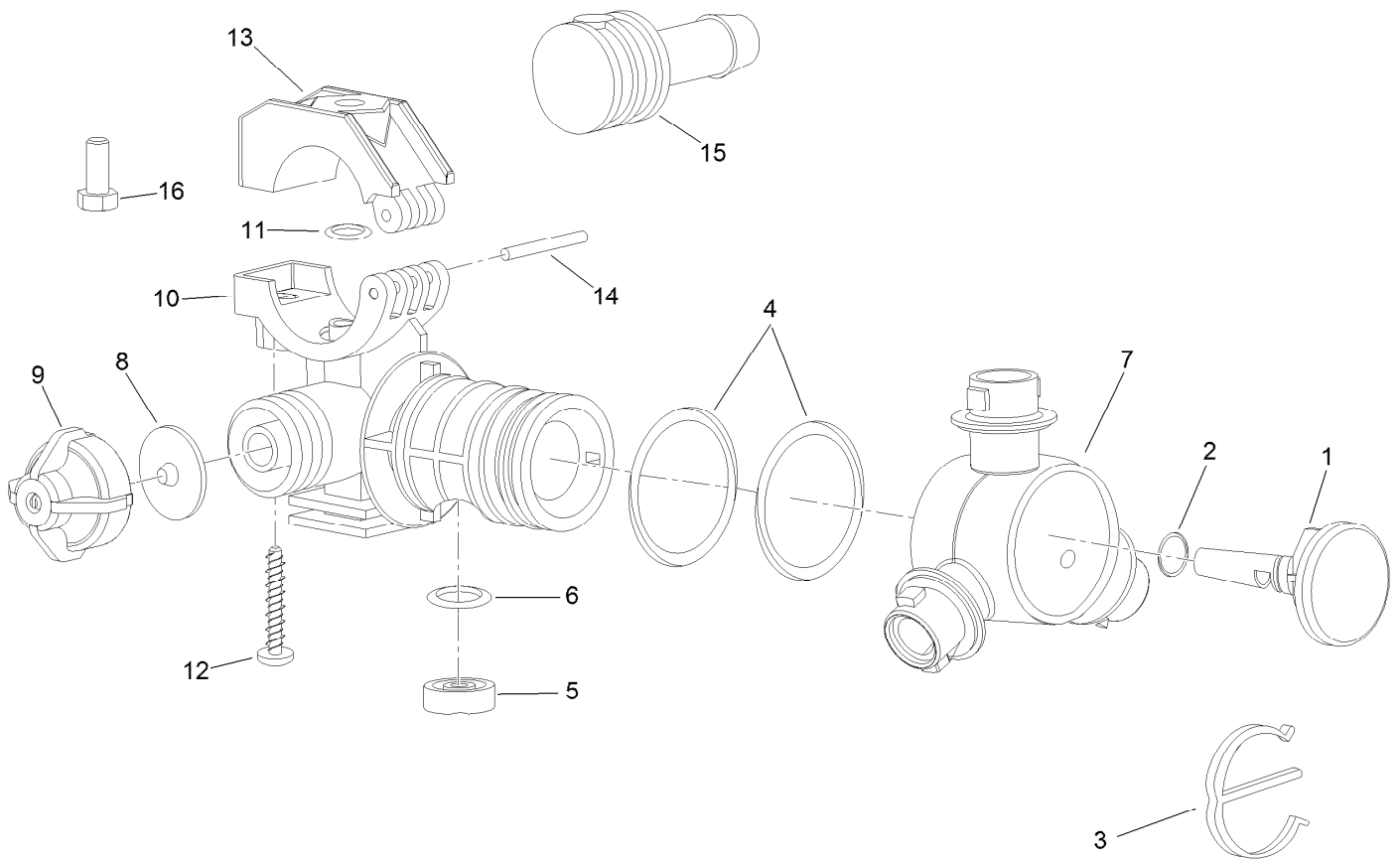
Center Boom Assembly (continued)

<i>Ref.</i>	<i>Part Number</i>	<i>Qty.</i>	<i>Description</i>	<i>Ref.</i>	<i>Part Number</i>	<i>Qty.</i>	<i>Description</i>
45	302-5	8	Fitting-Grease	50	133-0412-03	1	Center-Center, Boom
46	108-3459	4	Boot-Hinge	51	132-4341	2	Hose-Boom, Center
47	120-8541	4	Dampener-Hinge	52	136-0382	1	Boom-RH
48	108-3748	2	Screw-HHF	52:2	120-0617	2	Decal-Warning, Pinch, Crush
49	3234-42	4	Screw-HHF				



Left and Right Hand Boom Assembly

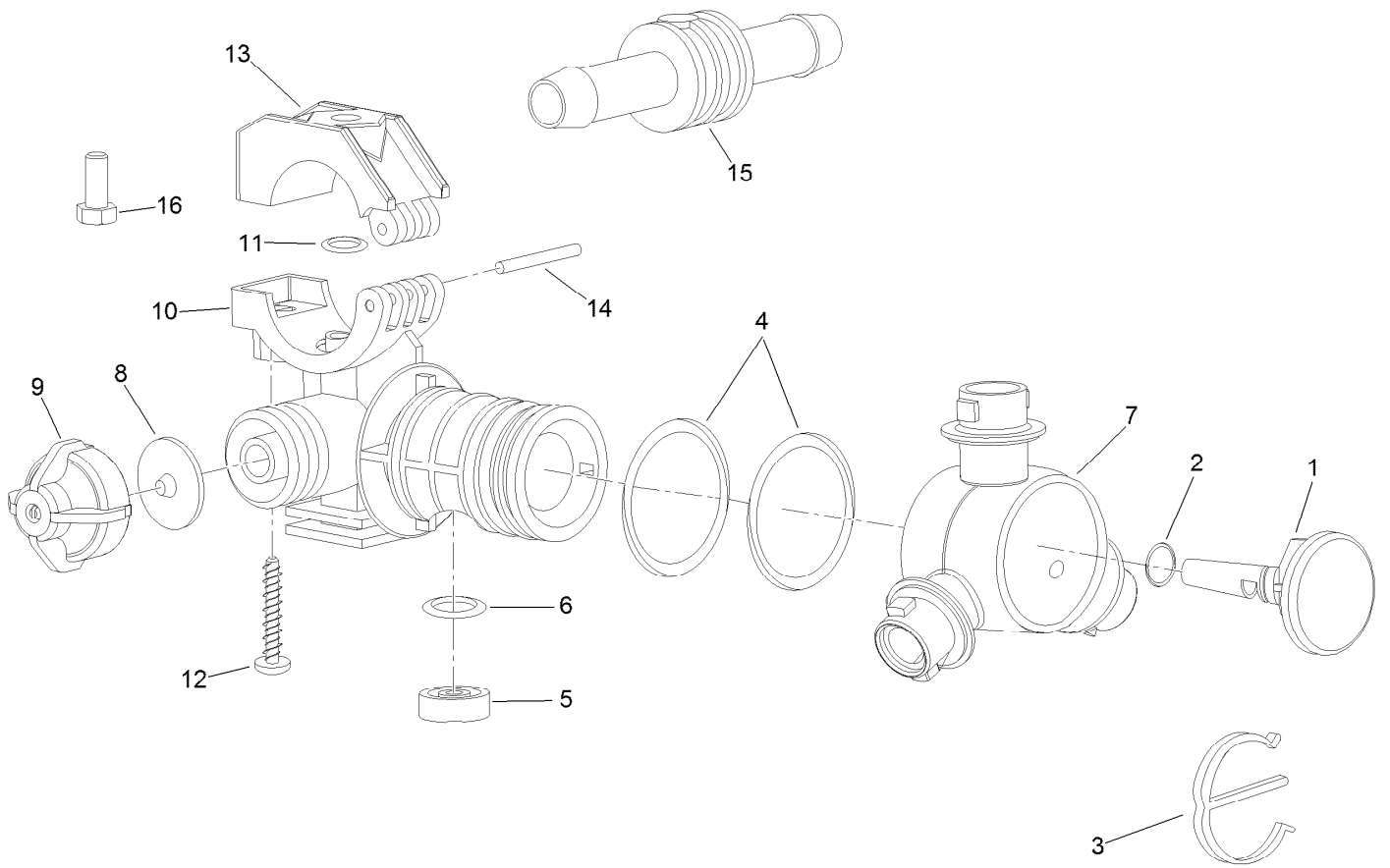
Ref.	Part Number	Qty.	Description	Ref.	Part Number	Qty.	Description
1	108-3524-03	1	Boom-RH	11	119-9369	8	Screw-HHF
2	108-3525-03	1	Boom-LH	12	108-3439	2	Tee
3	119-9368	4	Block Slide	13	240-3	4	Grommet-Rubber
4	108-3725	2	LH Single Body Turret ASM	14	108-3721	2	Hose-Boom
5	108-3727	4	Double Turret Body ASM	15	95-9186	8	Cap
6	108-3726	2	RH Single Body Turret ASM	15:1	40998	1	Seat-Gasket
7	104-8300	8	Nut-HF, NI	16	95-9187	16	Cap-Blank
8	108-3728	2	Hose-Boom	16:1	40998	1	Seat-Gasket
9	40506	4	Hose-Jumper	17	107-8650	2	Conduit-Convolved
10	2412-129	18	Clamp-Hose	18	3290-378	6	Tie-Cable



LH Single Turret Body Assembly No. 108-3725

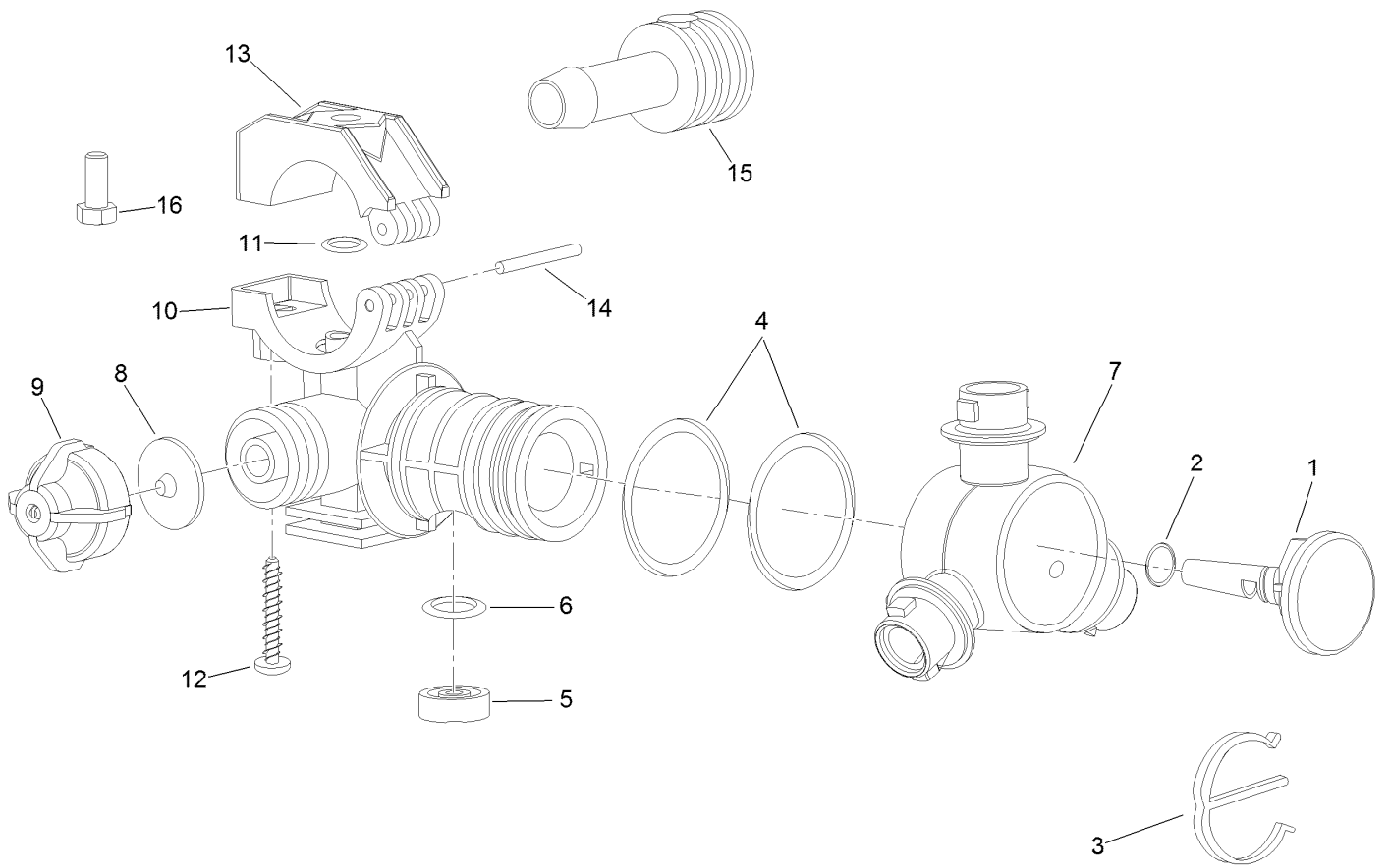
<i>Ref.</i>	<i>Part Number</i>	<i>Qty.</i>	<i>Description</i>
1	95-9200	1	Plug
2	95-9198	1	O-Ring
3	95-9197	1	E-Clip
4	95-9199	2	O-Ring
5	108-3264	1	Seal-Viton
6	108-3265	1	O-Ring-Viton
7	95-9196	1	Turret
8	41003	1	Diaphragm

<i>Ref.</i>	<i>Part Number</i>	<i>Qty.</i>	<i>Description</i>
9	95-9193	1	Cap-Diaphragm
10	95-9192	1	Body-Split Eyelet
11	95-9191	1	O-Ring
12	99-0811	1	Screw-Clamp
13	99-0812	1	Clamp-Upper
14	99-0814	1	Pin-Pivot
15	95-9201	1	Shank-Hose
16	322-3	1	Screw-HH



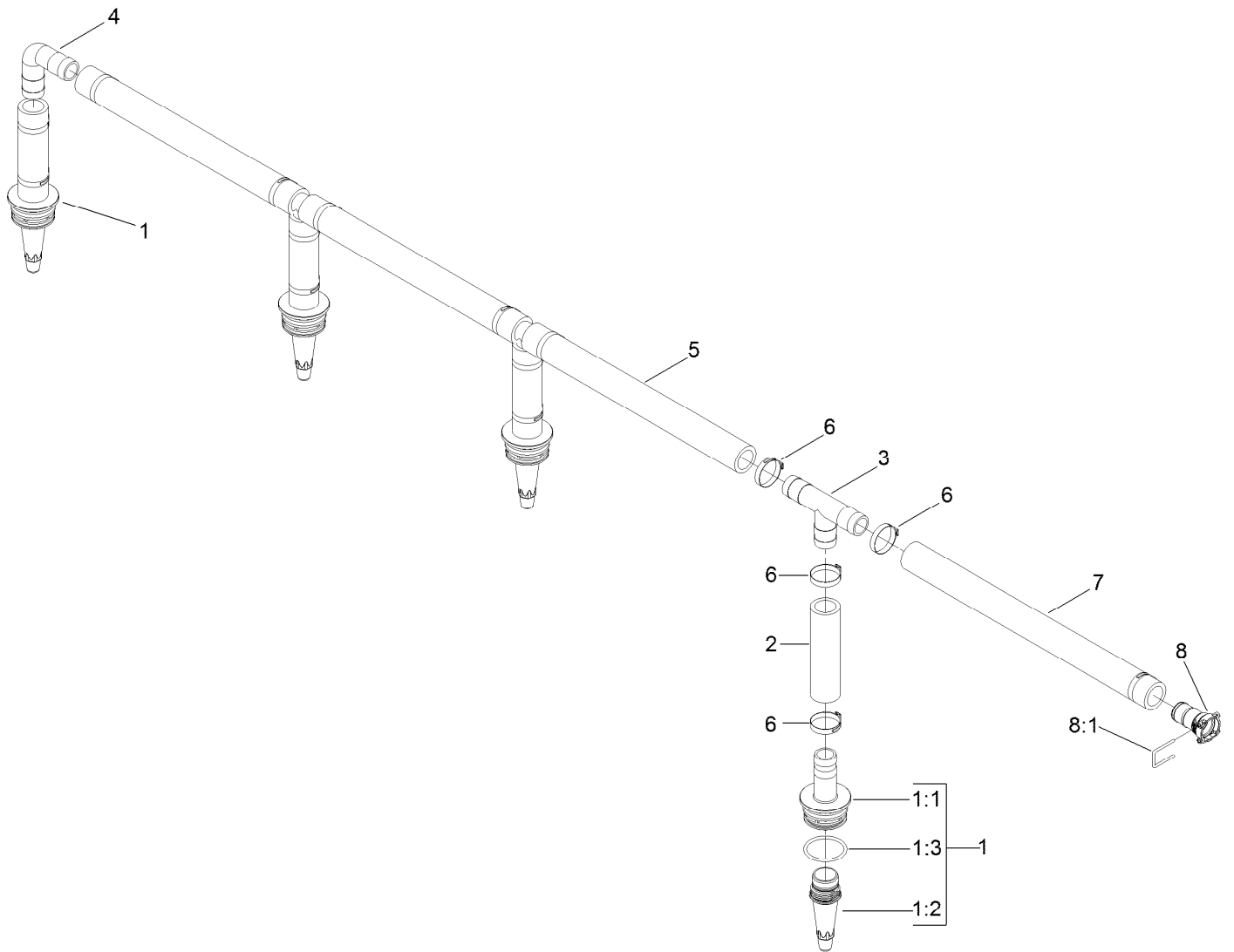
Double Turret Body Assembly No. 108-3727

<i>Ref.</i>	<i>Part Number</i>	<i>Qty.</i>	<i>Description</i>	<i>Ref.</i>	<i>Part Number</i>	<i>Qty.</i>	<i>Description</i>
1	95-9200	1	Plug	9	95-9193	1	Cap-Diaphragm
2	95-9198	1	O-Ring	10	95-9192	1	Body-Split Eyelet
3	95-9197	1	E-Clip	11	95-9191	1	O-Ring
4	95-9199	2	O-Ring	12	99-0811	1	Screw-Clamp
5	108-3264	1	Seal-Viton	13	99-0812	1	Clamp-Upper
6	108-3265	1	O-Ring-Viton	14	99-0814	1	Pin-Pivot
7	95-9196	1	Turret	15	95-9202	1	Shank-Hose
8	41003	1	Diaphragm	16	322-3	1	Screw-HH



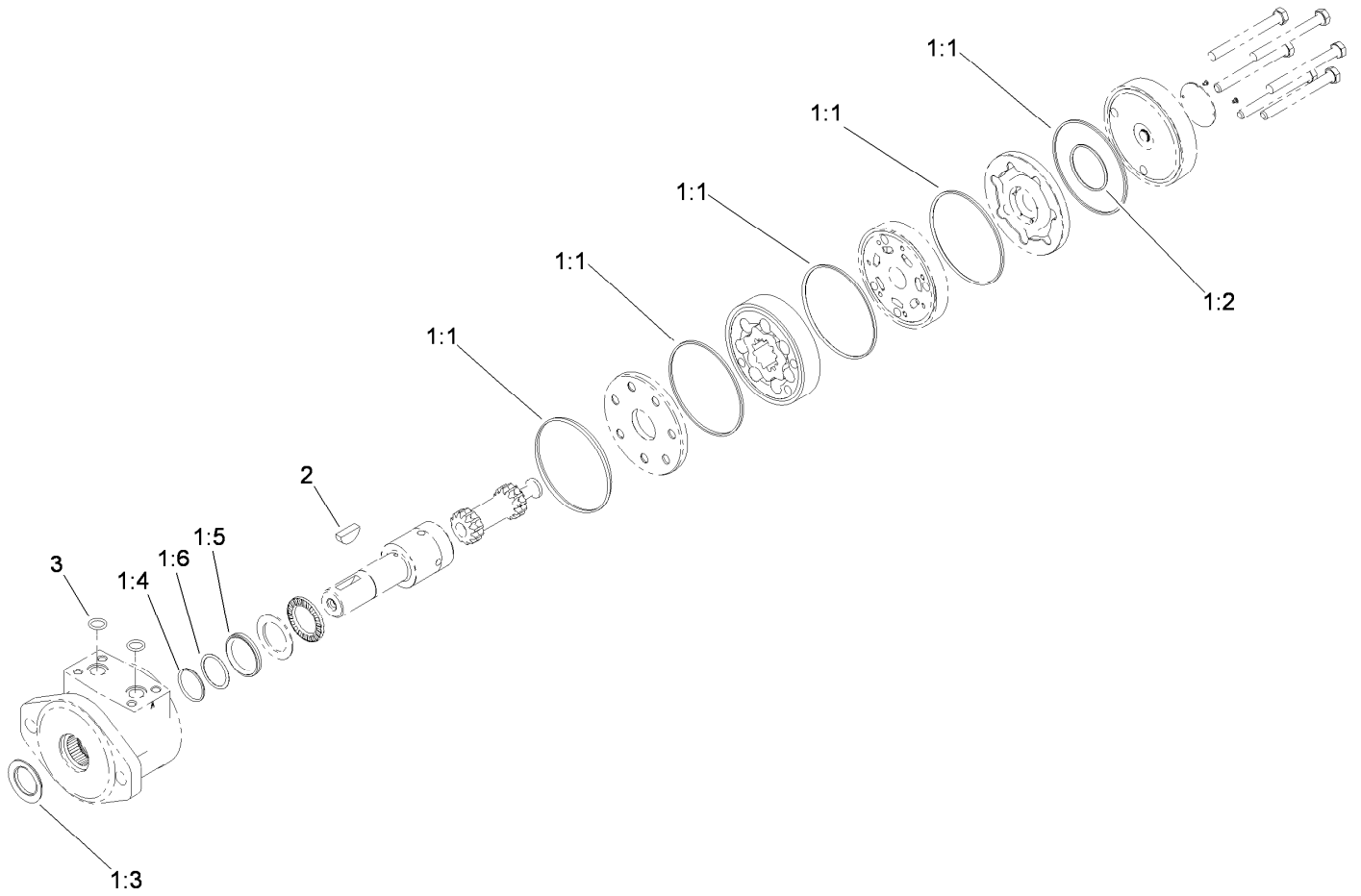
RH Single Body Turret Assembly No. 108-3726

<i>Ref.</i>	<i>Part Number</i>	<i>Qty.</i>	<i>Description</i>	<i>Ref.</i>	<i>Part Number</i>	<i>Qty.</i>	<i>Description</i>
1	95-9200	1	Plug	9	95-9193	1	Cap-Diaphragm
2	95-9198	1	O-Ring	10	95-9192	1	Body-Split Eyelet
3	95-9197	1	E-Clip	11	95-9191	1	O-Ring
4	95-9199	2	O-Ring	12	99-0811	1	Screw-Clamp
5	108-3264	1	Seal-Viton	13	99-0812	1	Clamp-Upper
6	108-3265	1	O-Ring-Viton	14	99-0814	1	Pin-Pivot
7	95-9196	1	Turret	15	95-9201	1	Shank-Hose
8	41003	1	Diaphragm	16	322-3	1	Screw-HH



Agitation Hose Assembly No. 132-4309

Ref.	Part Number	Qty.	Description
1	131-3731	4	Agitation Nozzle ASM
1:1	131-3732	1	Fitting-Barb
1:2	120-8579	1	Nozzle-Agitation
1:3	121-4996	1	O-Ring
2	119-0441	4	Hose-Agitaiton
3	117-7866	3	Tee-Hosebarb
4	117-7867	1	Elbow-Hosebarb
5	117-7862	3	Hose-Main Agitation
6	2412-3	16	Clamp-Hose
7	132-4311	1	Hose-Agitation
8	127-9806	1	Fitting Kit
8:1	133-0398	1	Pin-Fork

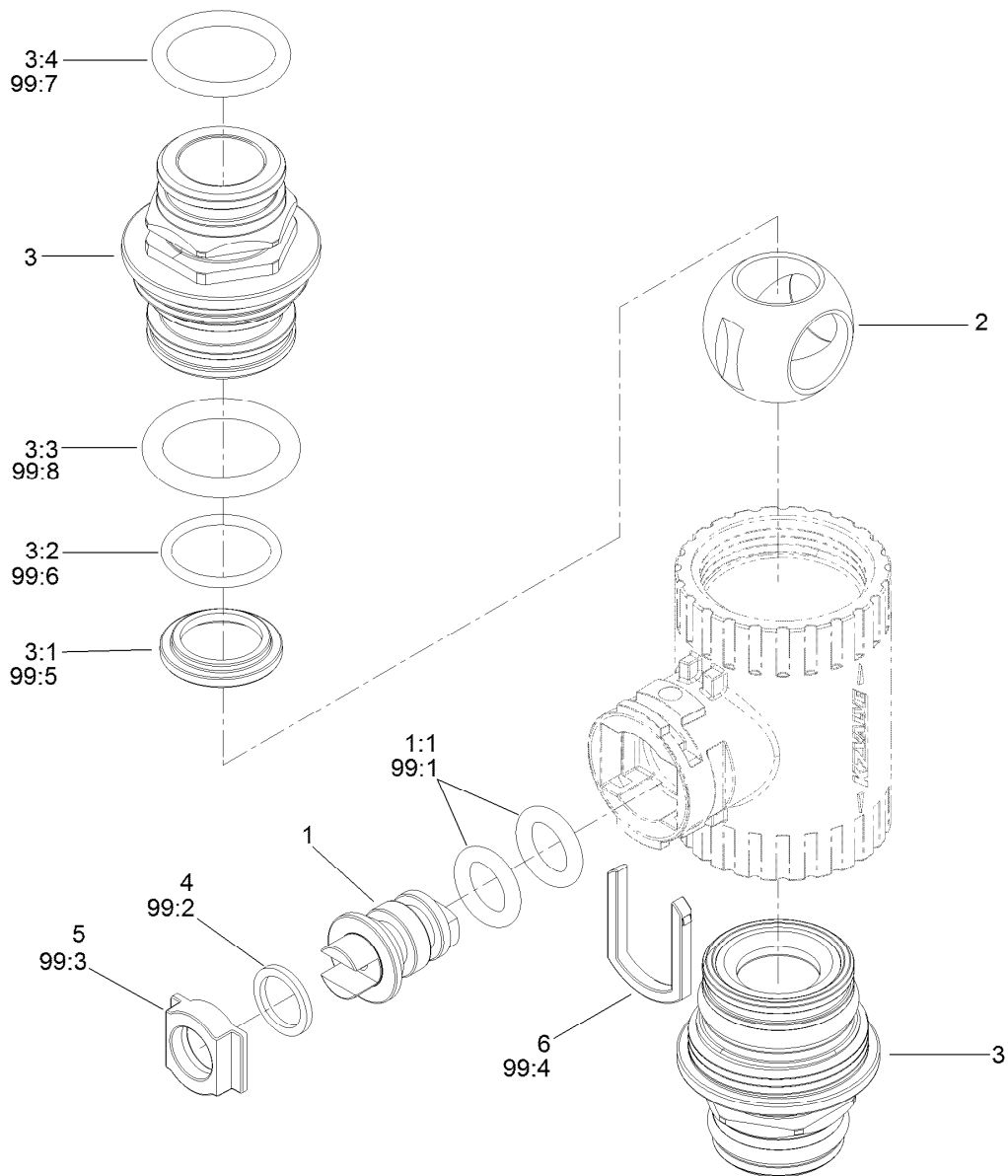


Hydraulic Motor Assembly No. 117-0706

<i>Ref.</i>	<i>Part Number</i>	<i>Qty.</i>	<i>Description</i>
1	119-0433	1	Wheel Motor Seal Kit ●
1:1		5	Seal-Ring ■
1:2		1	Seal-Commutator ■
1:3		1	Seal-Dirt And Water ■
1:4		1	Ring-Backing ■
1:5		1	Seal-Shaft ■
1:6		1	Washer-Backup ■
2	3257-8	1	Key-Woodruff
3	120-0691	2	O-Ring

● Not illustrated

■ Not serviced separately

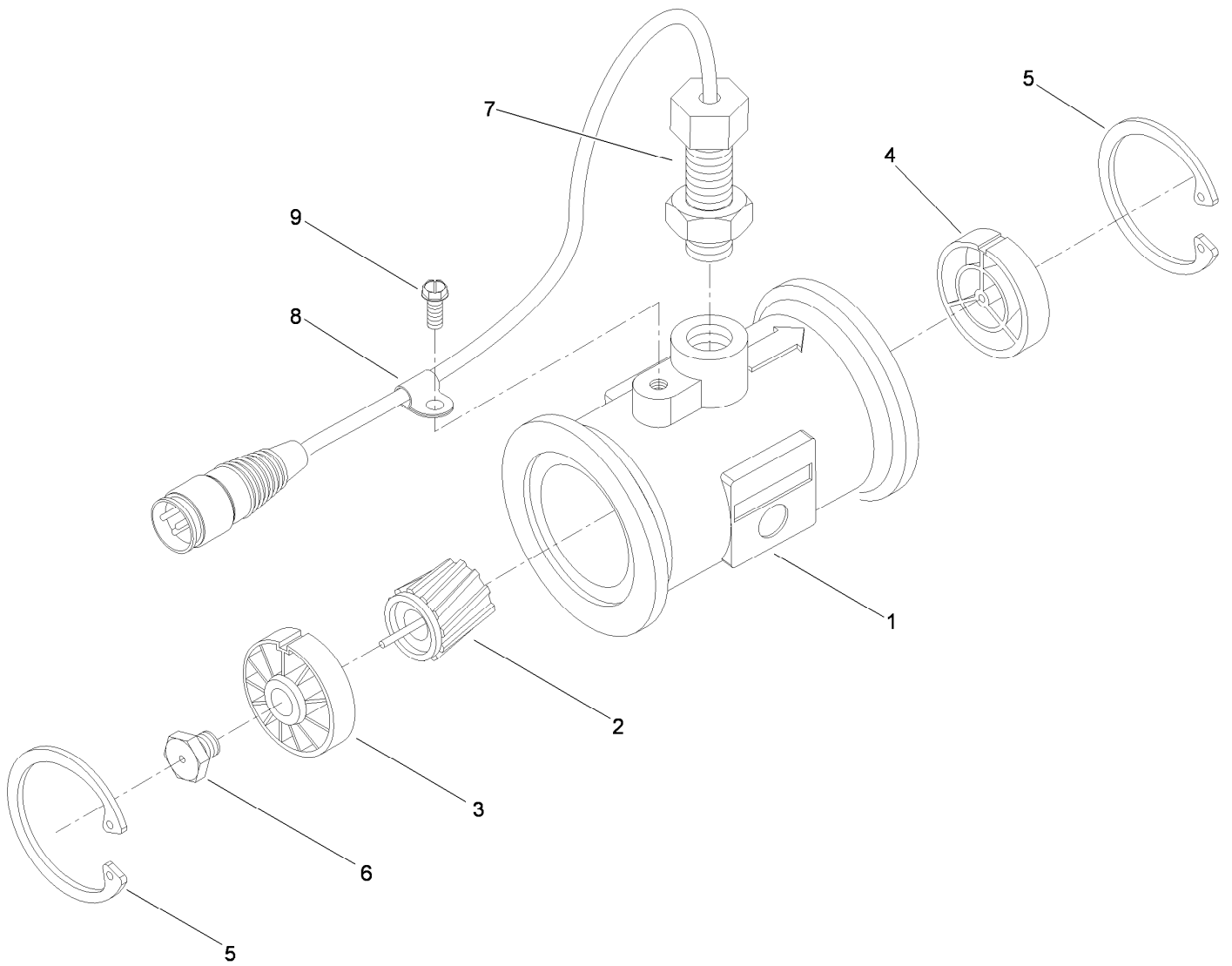


On/Off 2-Way Valve Kit No. 131-0249

Ref.	Part Number	Qty.	Description
1	130-8248	1	Valve Stem Kit
1:1	127-1197	2	O-Ring-Stem
2	131-0252	1	Ball-2-Way
3	130-7317	2	Endcap Kit
3:1	127-1192	1	Seat-Ball
3:2	127-1188	1	O-Ring, Seat (Ball)
3:3	127-1189	1	O-Ring, Endcap
3:4	127-1187	1	O-Ring, Endcap
4	127-1196	1	Washer-Stem, Valve
5	127-1195	1	Seat-Stem, Valve

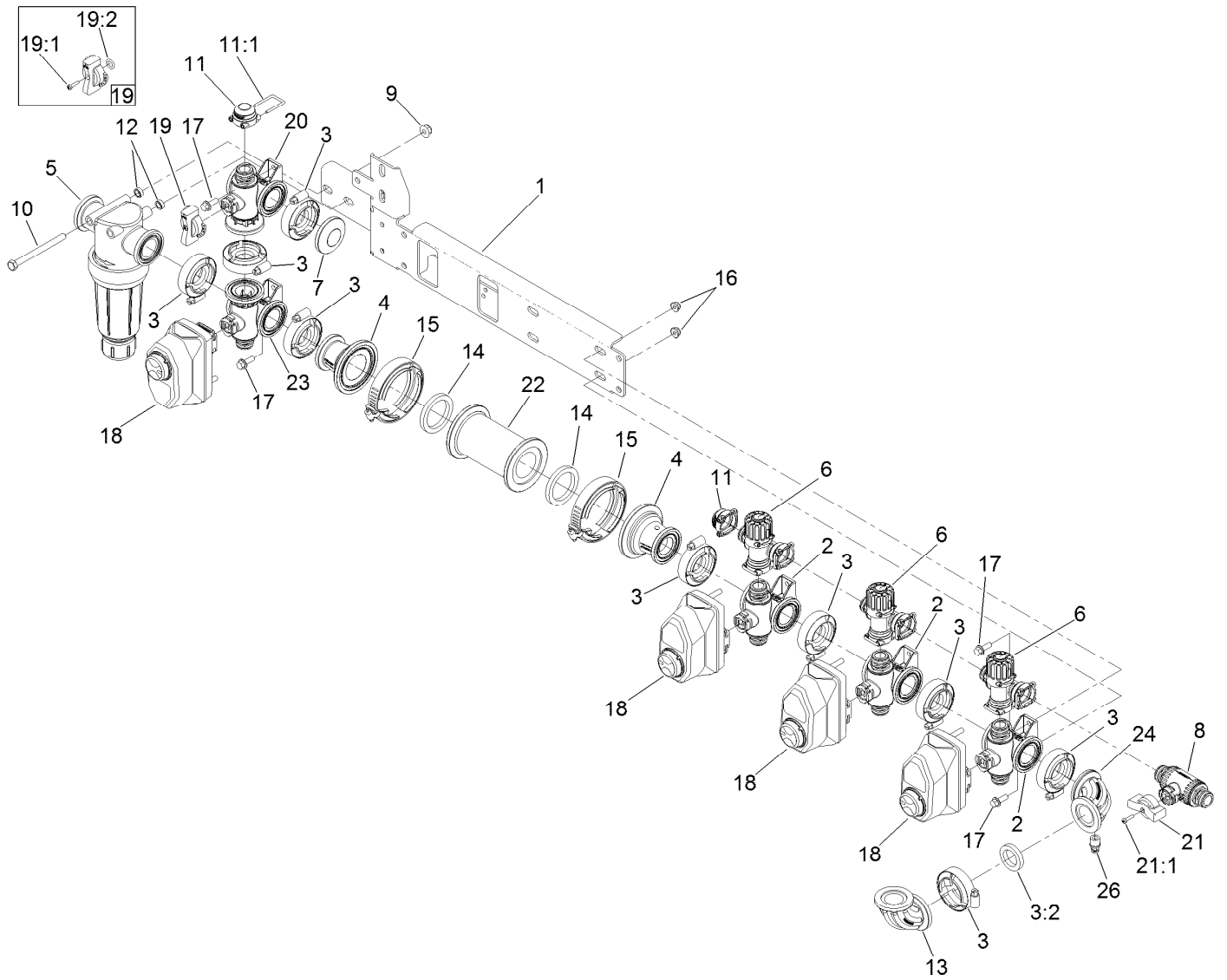
Ref.	Part Number	Qty.	Description
6	127-1190	1	Fork-Stem, Valve
99	130-7304	1	Valve Repair Kit ●
99:1	127-1197	2	O-Ring-Stem
99:2	127-1196	2	Washer-Stem, Valve
99:3	127-1195	1	Seat-Stem, Valve
99:4	127-1190	1	Fork-Stem, Valve
99:5	127-1192	2	Seat-Ball
99:6	127-1188	2	O-Ring, Seat (Ball)
99:7	127-1187	2	O-Ring, Endcap
99:8	127-1189	2	O-Ring, Endcap

● Not illustrated



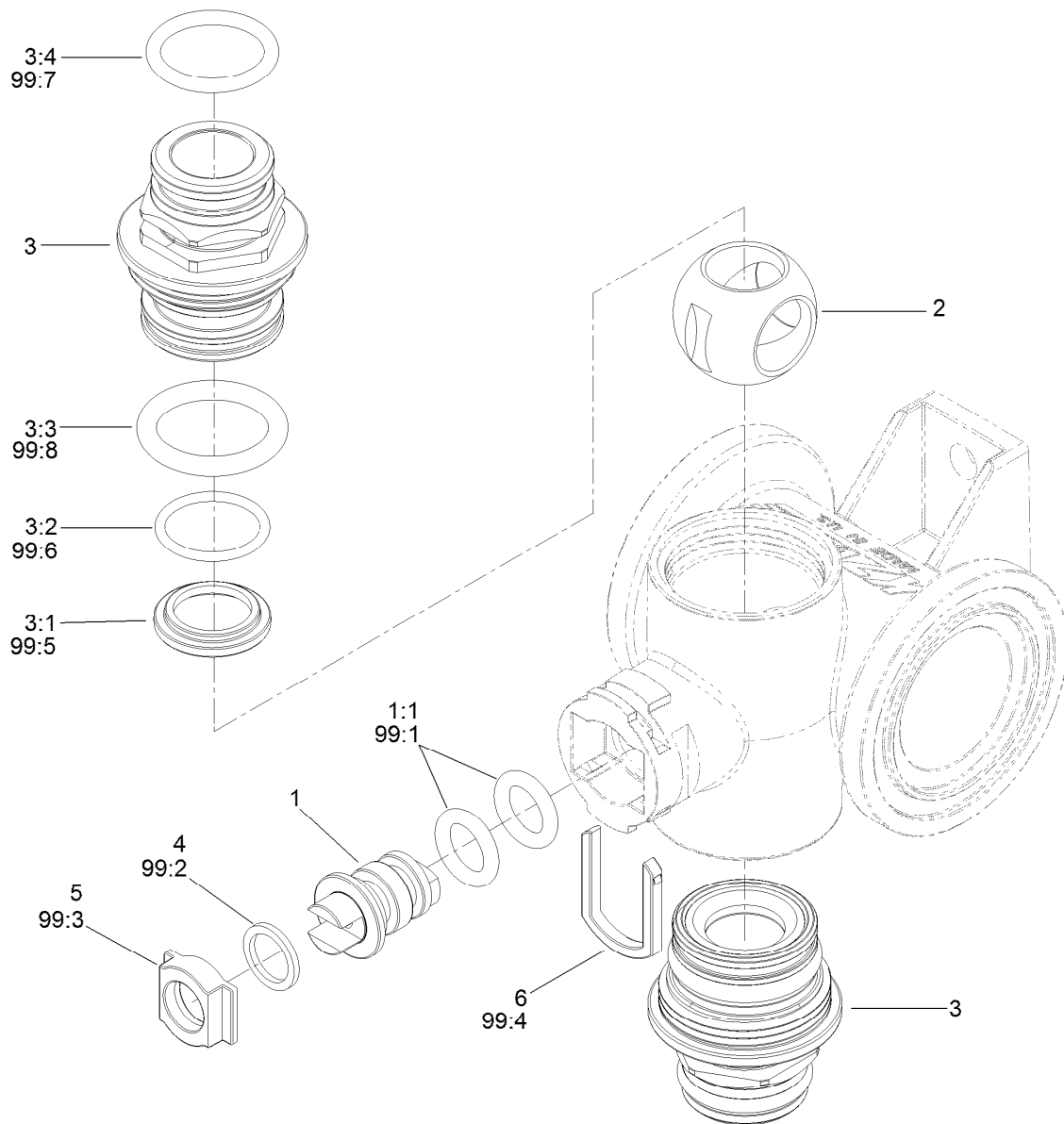
Flow Meter Assembly No. 106-1038

<i>Ref.</i>	<i>Part Number</i>	<i>Qty.</i>	<i>Description</i>
1	106-1042	1	Body-Meter, Flow
2	104-9059	1	Rotor / Magnet ASM
3	104-9060	1	Upstream Hub And Bearing ASM
4	104-9061	1	Downstream Hub ASM
5	104-9062	2	Ring-Retaining, Internal
6	42480	1	Stud-Turbine (W / Bearing)
7	104-9065	1	External Sensor ASM
8	104-9063	1	Clamp-Cable
9	104-9064	1	Screw-HWHTF



Spray Manifold Assembly

<i>Ref.</i>	<i>Part Number</i>	<i>Qty.</i>	<i>Description</i>	<i>Ref.</i>	<i>Part Number</i>	<i>Qty.</i>	<i>Description</i>
1	131-3742	1	Mount-Valve	15	104-9089	2	Clamp-Screw, Worm
2	127-9803	3	On/Off Manifold Valve Kit	16	104-7201	6	Nut-HF
3	127-9829	9	Clamp/Gasket Kit	17	3234-4	6	Screw-HHF
3:2	127-1145	1	Gasket-Flange	18	131-3723	4	Actuator On/Off Kit
4	127-1144	2	Fitting-Adapter	19	131-0265	1	Agitation Regulating Handle Kit
5	131-3791	1	Filter-Pressure	19:1	131-0263	1	Screw-Handle
6	127-9805	3	Bypass Valve ASM	19:2	127-1197	1	O-Ring-Stem
7	127-9815	1	Fitting-Cap	20	131-0253	1	Manifold Valve Kit
8	131-0249	1	On/Off 2-Way Valve Kit	21	131-0267	1	Bypass Handle Kit
9	104-8300	2	Nut-HF, NI	21:1	131-0263	1	Screw-Handle
10	322-23	2	Screw-HH	22	131-3739	1	Adapter
11	127-9811	2	Fitting-Cap, Female	23	131-7256	1	Manifold Valve Kit
11:1	133-0398	1	Pin-Fork	24	131-3726	1	Fitting-Elbow, 90 DEG
12	133-0380	2	Spacer-Filter	26	131-3709	1	Coupler
13	130-8297	1	Fitting-Elbow, Sweep				
14	104-9090	2	Gasket				

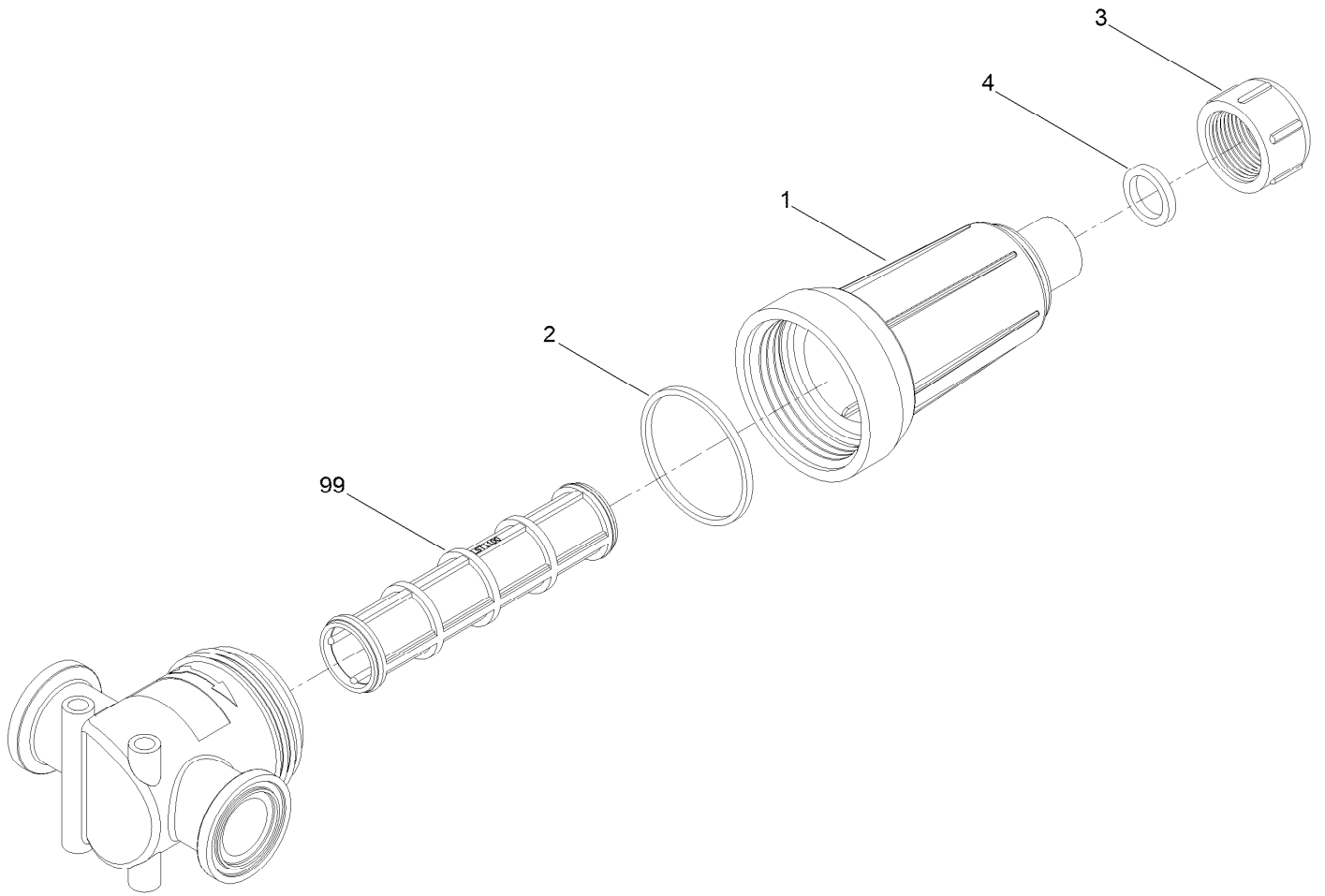


On/Off Manifold Valve Kit No. 127-9803

Ref.	Part Number	Qty.	Description
1	130-8248	1	Valve Stem Kit
1:1	127-1197	2	O-Ring-Stem
2	127-1194	1	Ball-Valve, 3Way
3	130-7317	2	Endcap Kit
3:1	127-1192	1	Seat-Ball
3:2	127-1188	1	O-Ring, Seat (Ball)
3:3	127-1189	1	O-Ring, Endcap
3:4	127-1187	1	O-Ring, Endcap
4	127-1196	1	Washer-Stem, Valve
5	127-1195	1	Seat-Stem, Valve

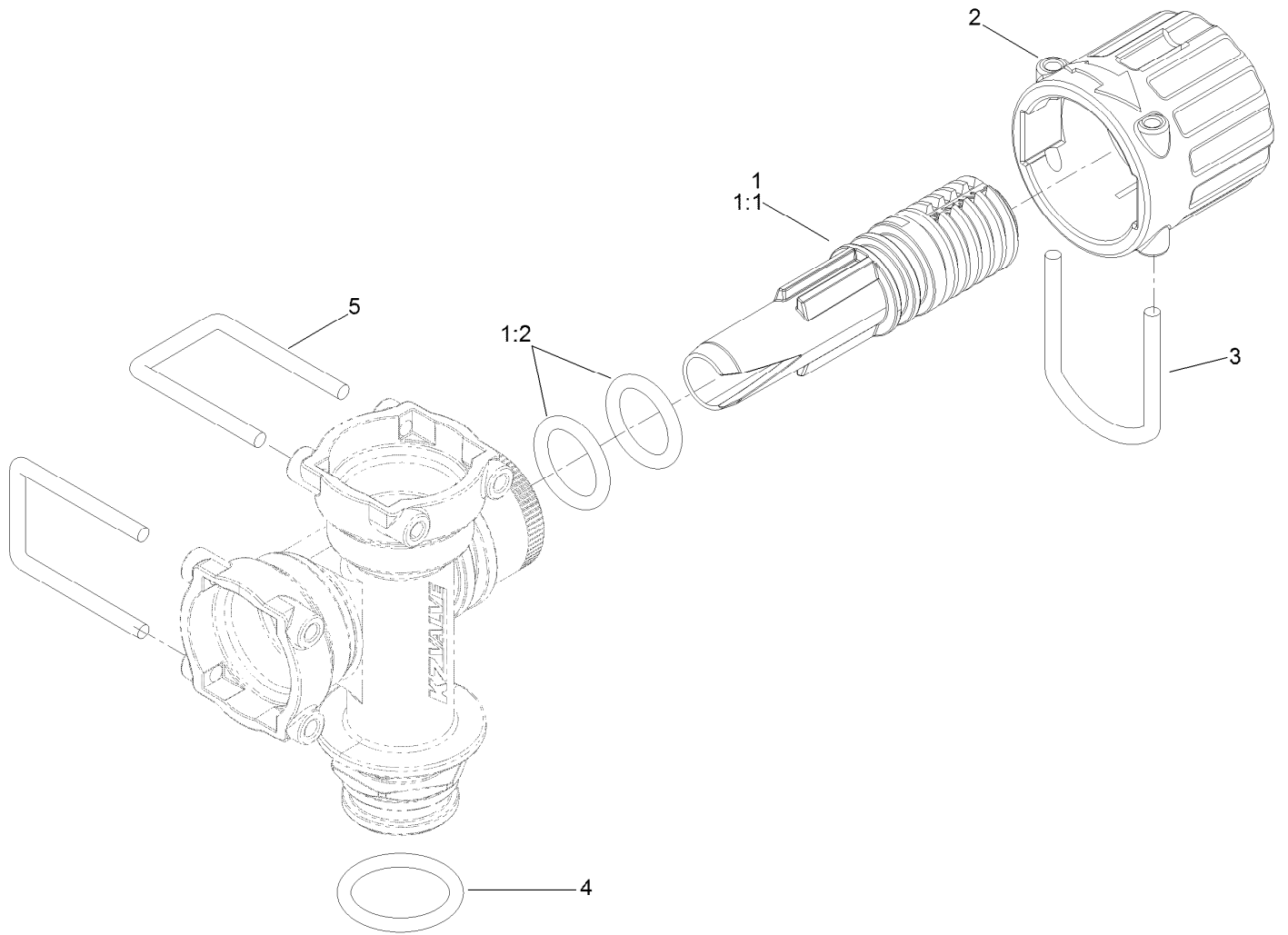
Ref.	Part Number	Qty.	Description
6	127-1190	1	Fork-Stem, Valve
99	130-7304	1	Valve Repair Kit ●
99:1	127-1197	2	O-Ring-Stem
99:2	127-1196	2	Washer-Stem, Valve
99:3	127-1195	1	Seat-Stem, Valve
99:4	127-1190	1	Fork-Stem, Valve
99:5	127-1192	2	Seat-Ball
99:6	127-1188	2	O-Ring, Seat (Ball)
99:7	127-1187	2	O-Ring, Endcap
99:8	127-1189	2	O-Ring, Endcap

● Not illustrated



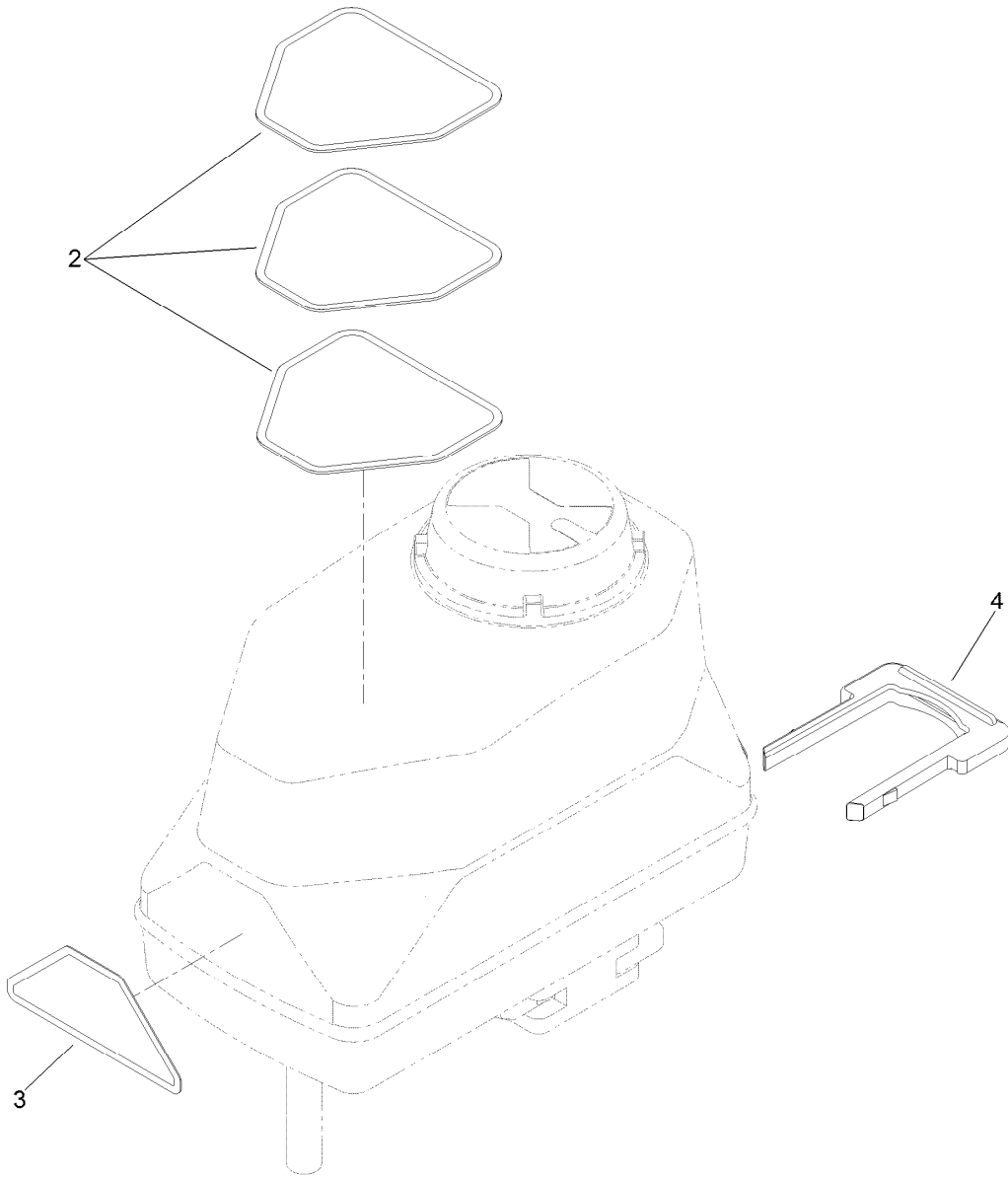
Pressure Filter Assembly No. 131-3791

<i>Ref.</i>	<i>Part Number</i>	<i>Qty.</i>	<i>Description</i>
1	136-0397	1	Bowl-Strainer
2	136-0398	1	Rubber-Gasket
3	136-0410	1	Strainer Cap
4	136-0399	1	Rubber-Gasket
99	133-0384	1	Screen-Teejet, 30 Mesh
99	133-0385	1	Screen-Teejet, 50 Mesh
99	133-0386	1	Screen-Teejet, 80 Mesh
99	133-0387	1	Screen-Teejet, 100 Mesh



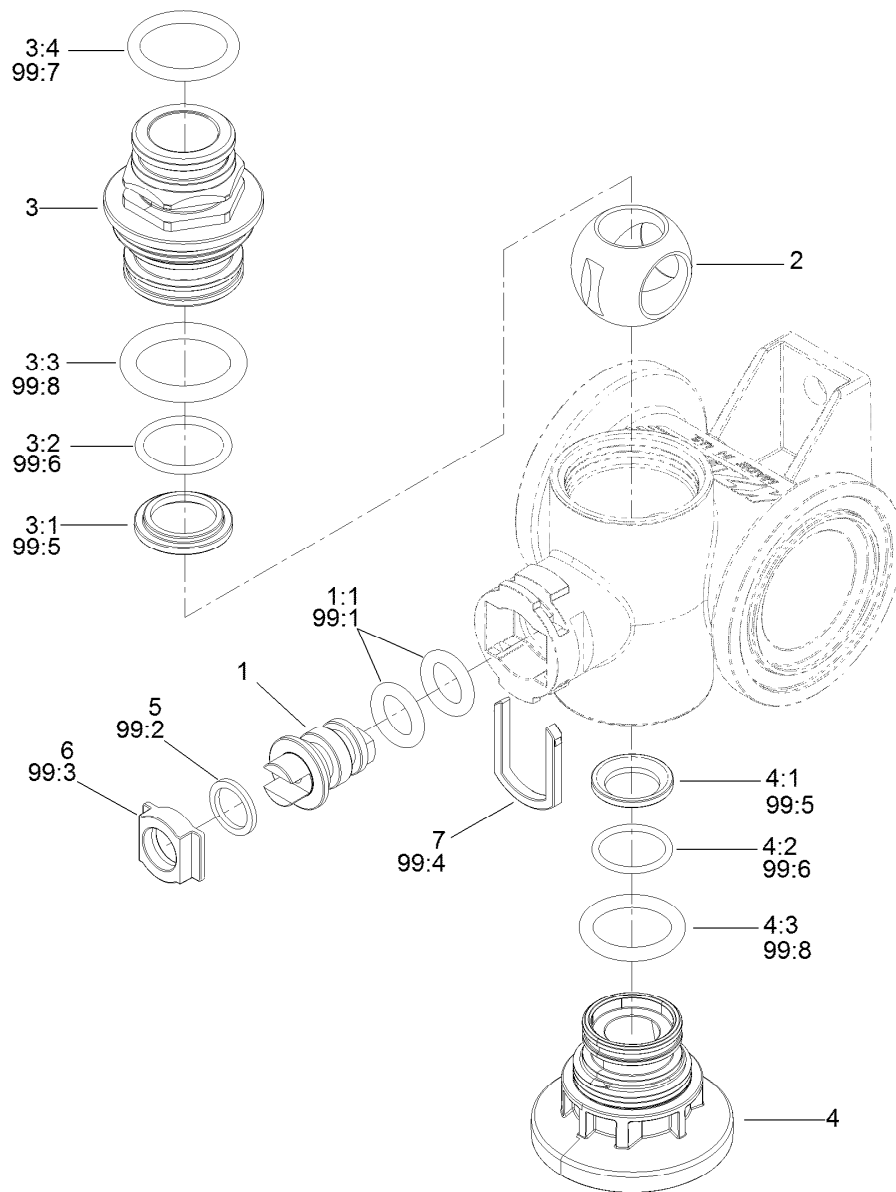
Bypass Valve Assembly No. 127-9805

<i>Ref.</i>	<i>Part Number</i>	<i>Qty.</i>	<i>Description</i>
1	131-0298	1	Bypass Needle Kit
1:1	127-1182	1	Needle-Bypass
1:2	127-1181	2	Oring-Bypass Needle
2	127-1180	1	Knob-Bypass
3	127-1179	1	Fork-Bypass Knob
4	127-1187	1	O-Ring, Endcap
5	133-0398	2	Pin-Fork



On/Off Actuator Kit No. 131-3723

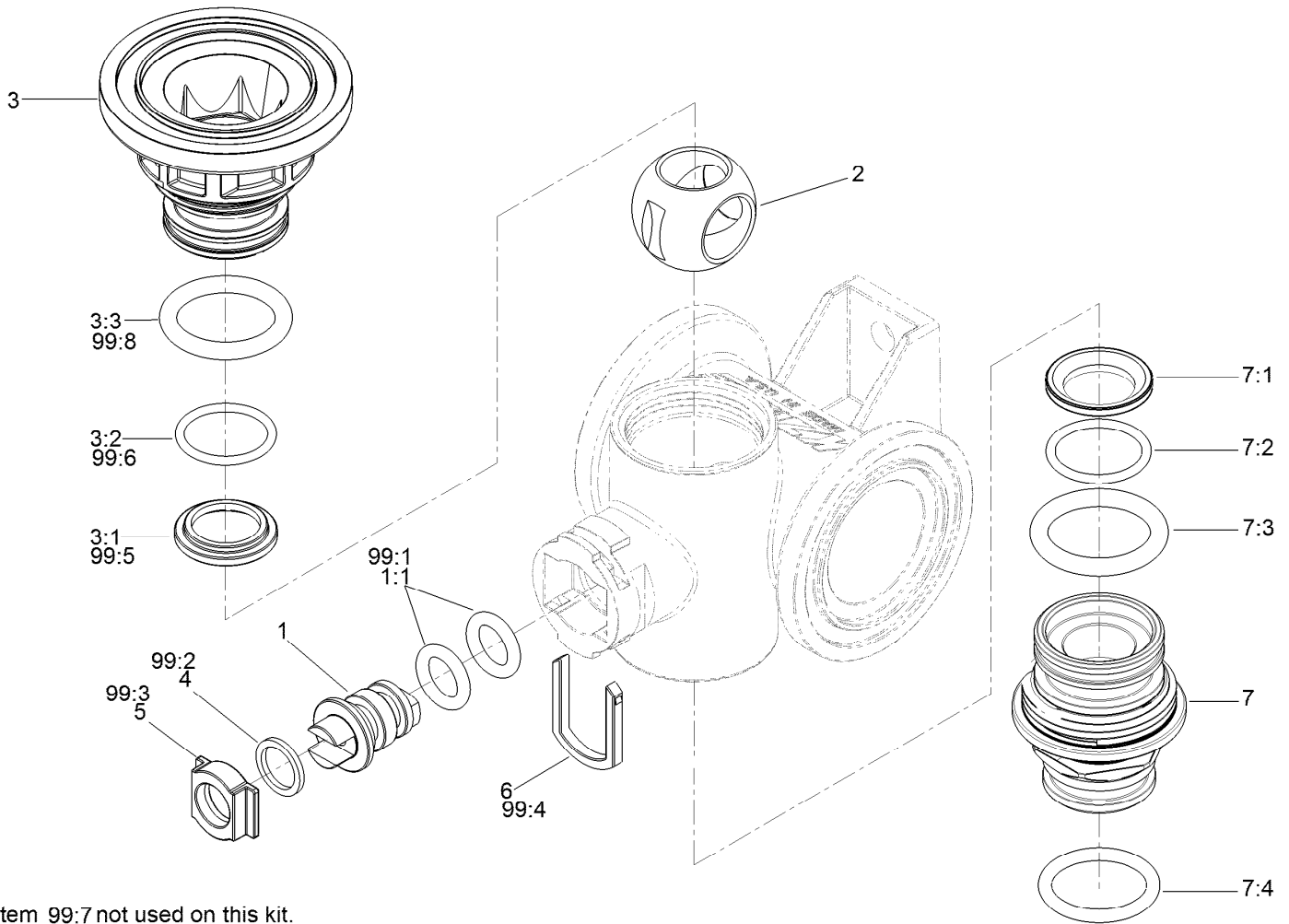
<i>Ref.</i>	<i>Part Number</i>	<i>Qty.</i>	<i>Description</i>
2	127-6979	1	Decal-Valve, Agitation
2	127-6981	1	Decal-Valve, On/Off
2	127-6982	1	Decal-Valve, Master Boom
3	127-6976	1	Decal-Valve, Bypass Adjust
4	130-7301	1	Hairpin-Actuator



Manifold Valve Kit No. 131-0253

<i>Ref.</i>	<i>Part Number</i>	<i>Qty.</i>	<i>Description</i>	<i>Ref.</i>	<i>Part Number</i>	<i>Qty.</i>	<i>Description</i>
1	130-8248	1	Valve Stem Kit	5	127-1196	1	Washer-Stem, Valve
1:1	127-1197	2	O-Ring-Stem	6	127-1195	1	Seat-Stem, Valve
2	127-1113	1	Ball-V	7	127-1190	1	Fork-Stem, Valve
3	130-7317	1	Endcap Kit	99	130-7304	1	Valve Repair Kit ●
3:1	127-1192	1	Seat-Ball	99:1	127-1197	2	O-Ring-Stem
3:2	127-1188	1	O-Ring, Seat (Ball)	99:2	127-1196	2	Washer-Stem, Valve
3:3	127-1189	1	O-Ring, Endcap	99:3	127-1195	1	Seat-Stem, Valve
3:4	127-1187	1	O-Ring, Endcap	99:4	127-1190	1	Fork-Stem, Valve
4	130-8249	1	Endcap Kit	99:5	127-1192	2	Seat-Ball
4:1	127-1192	1	Seat-Ball	99:6	127-1188	2	O-Ring, Seat (Ball)
4:2	127-1188	1	O-Ring, Seat (Ball)	99:7	127-1187	2	O-Ring, Endcap
4:3	127-1189	1	O-Ring, Endcap	99:8	127-1189	2	O-Ring, Endcap

● Not illustrated

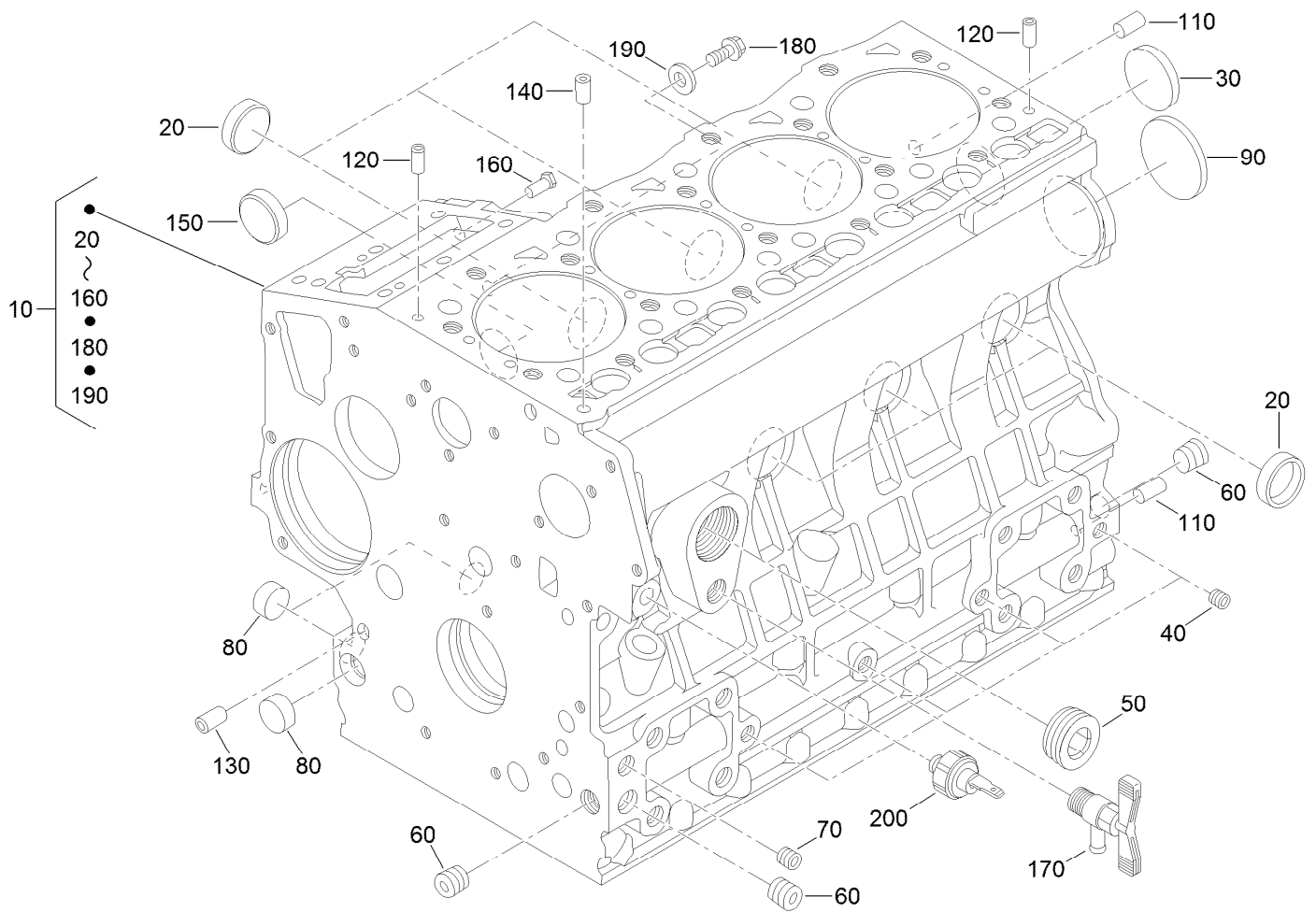


Item 99:7 not used on this kit.

Manifold Valve Kit No. 131-7256

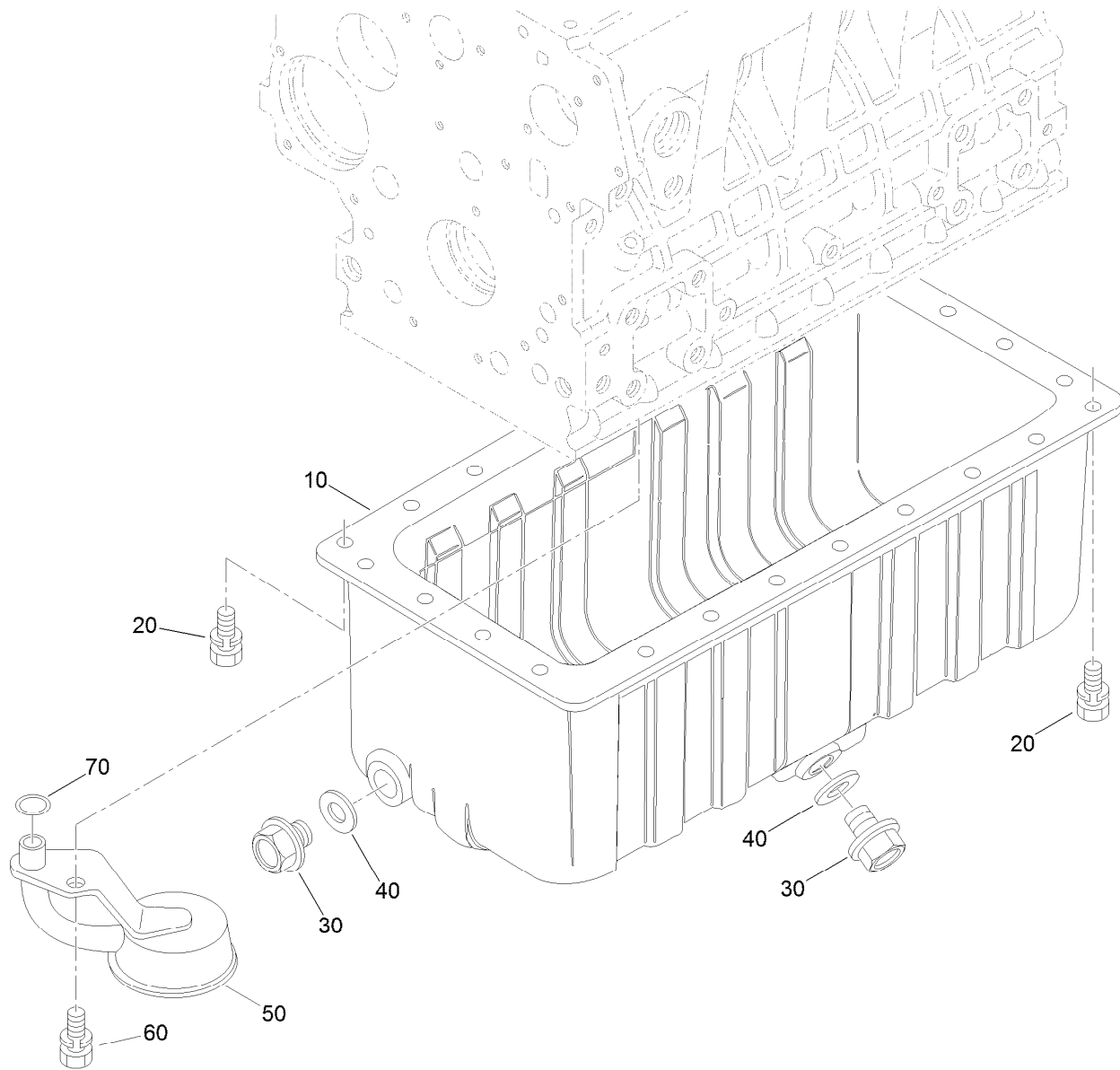
Ref.	Part Number	Qty.	Description	Ref.	Part Number	Qty.	Description
1	130-8248	1	Valve Stem Kit	7:2	127-1188	1	O-Ring, Seat (Ball)
1:1	127-1197	2	O-Ring-Stem	7:3	127-1189	1	O-Ring, Endcap
2	127-1194	1	Ball-Valve, 3Way	7:4	127-1187	1	O-Ring, Endcap
3	130-8249	1	Endcap Kit	99	130-7304	1	Valve Repair Kit ●
3:1	127-1192	1	Seat-Ball	99:1	127-1197	2	O-Ring-Stem
3:2	127-1188	1	O-Ring, Seat (Ball)	99:2	127-1196	2	Washer-Stem, Valve
3:3	127-1189	1	O-Ring, Endcap	99:3	127-1195	1	Seat-Stem, Valve
4	127-1196	1	Washer-Stem, Valve	99:4	127-1190	1	Fork-Stem, Valve
5	127-1195	1	Seat-Stem, Valve	99:5	127-1192	2	Seat-Ball
6	127-1190	1	Fork-Stem, Valve	99:6	127-1188	2	O-Ring, Seat (Ball)
7	130-7317	1	Endcap Kit	99:7	127-1187	2	O-Ring, Endcap
7:1	127-1192	1	Seat-Ball	99:8	127-1189	2	O-Ring, Endcap

● Not illustrated



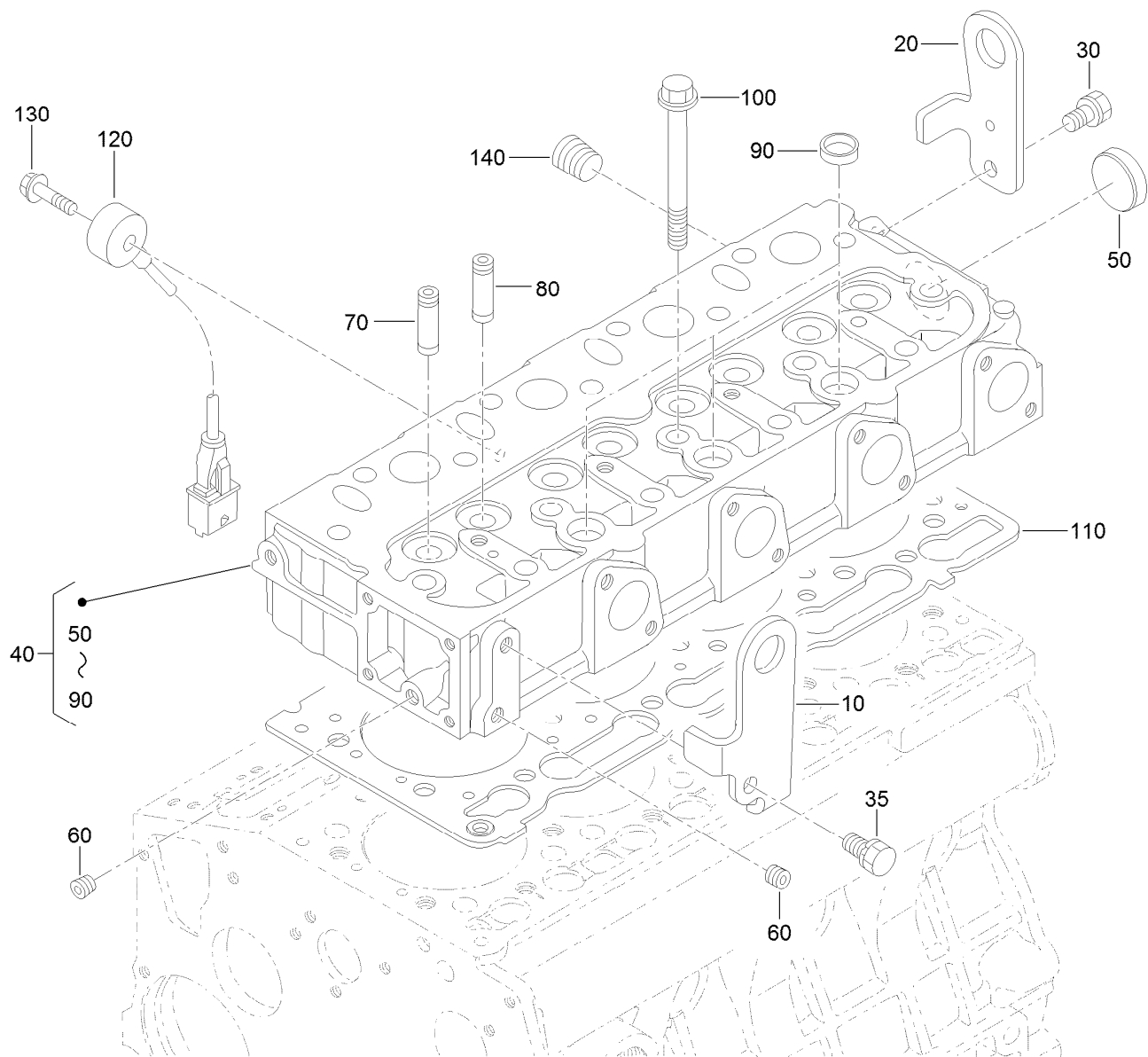
Crankcase Assembly

<i>Ref.</i>	<i>Part Number</i>	<i>Qty.</i>	<i>Description</i>	<i>Ref.</i>	<i>Part Number</i>	<i>Qty.</i>	<i>Description</i>
10	127-0451	1	Crankcase ASM	120	98-9376	2	Pin-Straight
20	98-9398	6	Cap-Sealing	130	98-9387	2	Pin-Pipe
30	98-7539	1	Cap-Sealing	140	98-9539	1	Pin-Pipe
40	98-9687	4	Plug	150	98-9599	1	Plug
50	105-3779	1	Plug	160	105-3796	1	Pin-Spring, Start
60	98-9597	3	Plug	170	120-3121	1	Draincock ASM
70	98-7487	2	Plug	180	99-8363	1	Bolt-Flange
80	98-9379	3	Plug-Expansion	190	98-7654	1	Gasket
90	98-9668	1	Plug-Expansion	200	98-9416	1	Switch-Oil
110	98-9377	2	Pin-Straight				



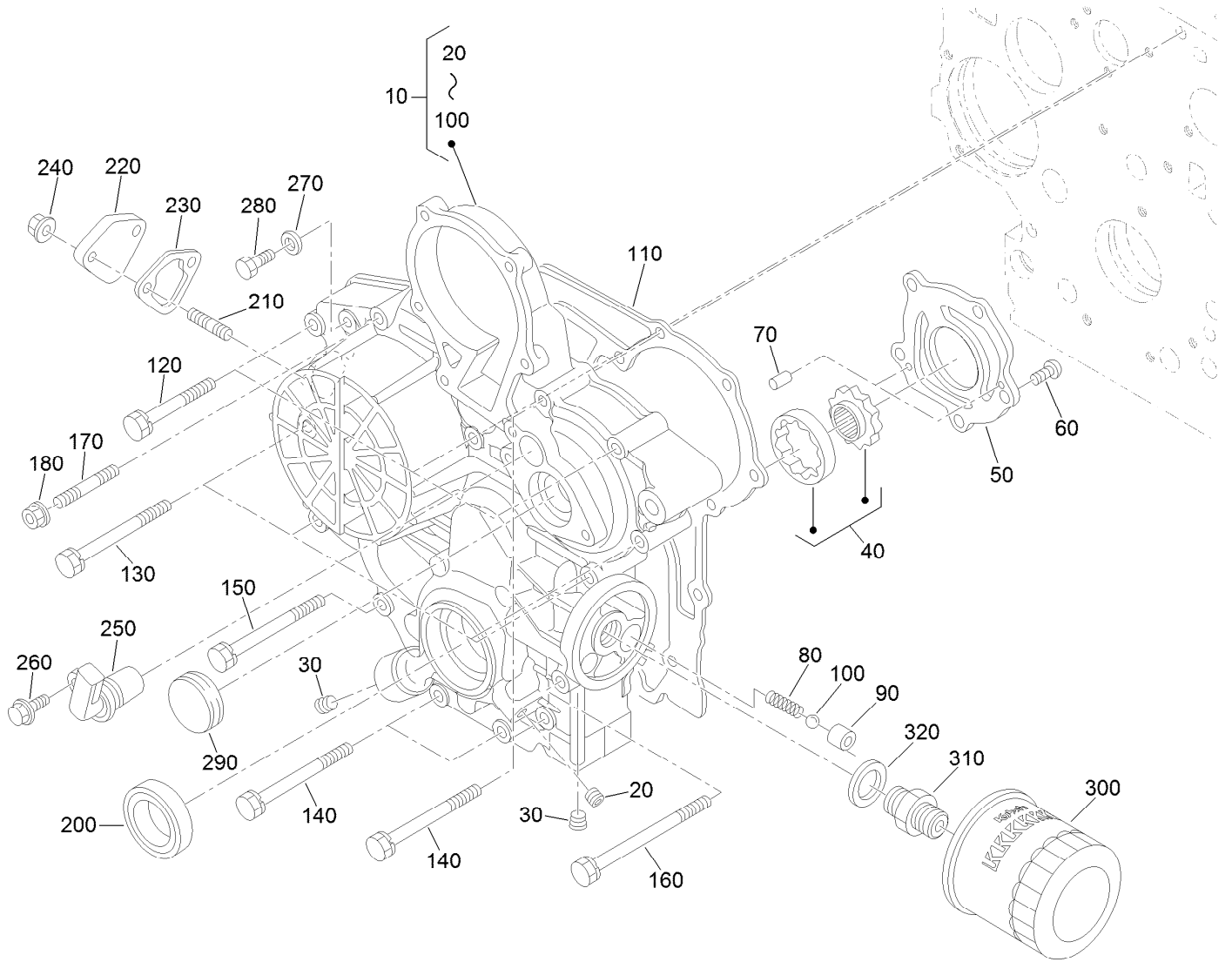
Oil Pan Assembly

<i>Ref.</i>	<i>Part Number</i>	<i>Qty.</i>	<i>Description</i>
10	108-2852	1	Oil Pan ASM
20	98-9351	26	Bolt
30	114-8151	2	Plug-Drain
40	98-7524	2	Gasket
50	112-7003	1	Head-Filter, Oil
60	98-7526	1	Bolt
70	105-3776	1	O-Ring



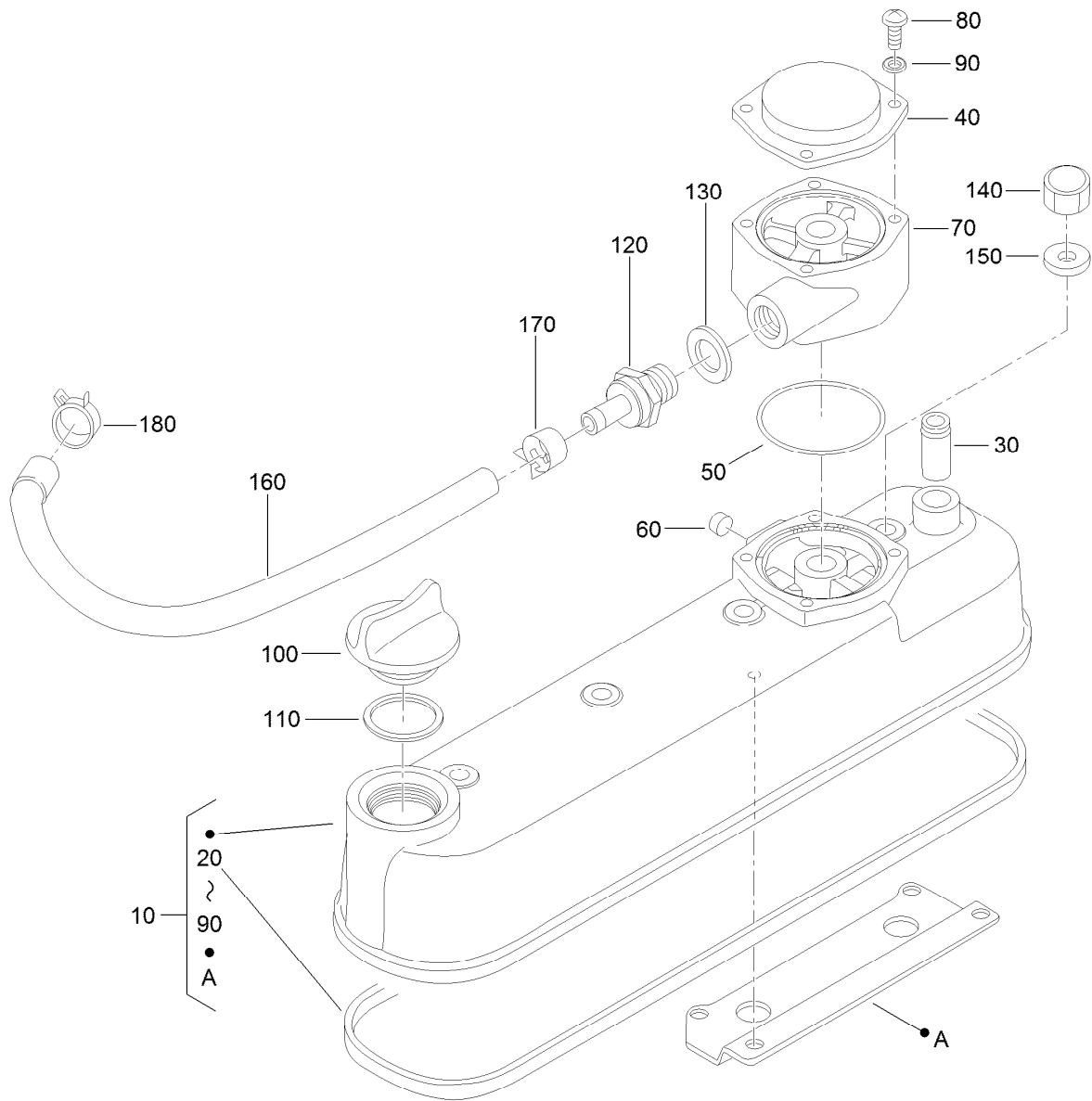
Cylinder Head Assembly

Ref.	Part Number	Qty.	Description
10	127-0463	1	Hook-Engine
20	127-0464	1	Hook-Engine
30	100-9195	1	Bolt
35	98-7526	1	Bolt
40	127-0452	1	Cylinder Head ASM
50	105-3705	1	Cap-Sealing
60	98-9687	2	Plug
70	107-9066	4	Guide-Valve, Inlet
80	127-0478	4	Guide-Valve, Exhaust
90	98-9389	3	Cap-Sealing
100	98-9479	9	Bolt-Head, Cylinder
110	127-0434	1	Gasket-Head, Cylinder
120	127-0467	1	Sensor-Knock
130	127-0506	1	Bolt-Sensor, Knock
140	98-9444	1	Plug



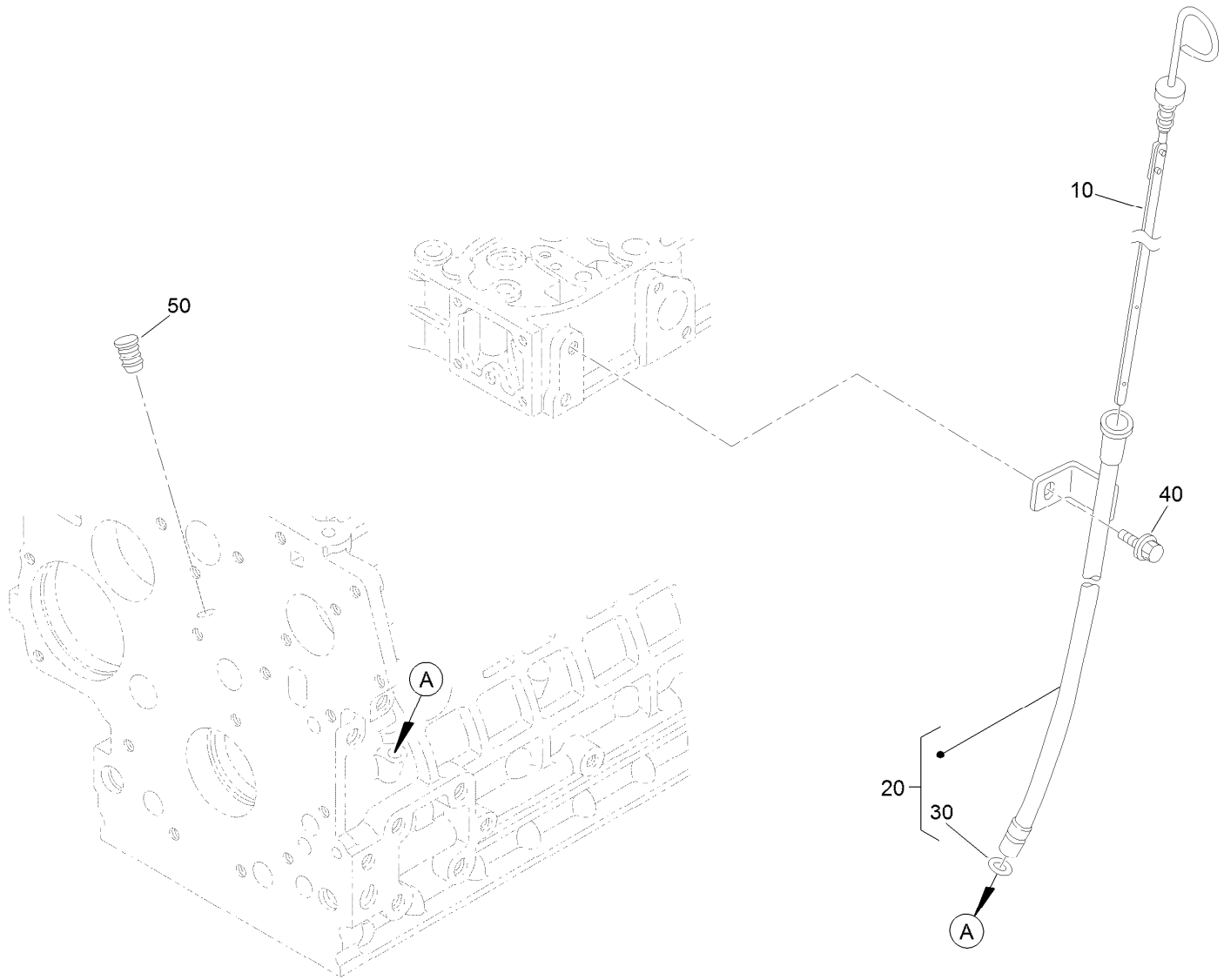
Gear Case and Oil Filter Cartridge Assembly

Ref.	Part Number	Qty.	Description	Ref.	Part Number	Qty.	Description
10	127-0453	1	Gear Case ASM	170	105-3709	1	Stud
20	98-7487	1	Plug	180	100-2203	1	Nut-Flange
30	127-0425	2	Plug	200	119-8038	1	Seal-Oil
40	98-9540	1	Oil Pump Rotor ASM	210	105-3710	2	Stud
50	107-9069	1	Cover-Pump, Oil	220	99-3514	1	Cover
60	107-9071	5	Screw	230	117-7562	1	Gasket-Pump, Fuel
70	107-9072	2	Pin-Straight	240	100-2203	2	Nut-Flange
80	98-9544	1	Spring	250	127-0504	1	Sensor-Revolution
90	98-9543	1	Seat-Valve	260	99-8363	1	Bolt-Flange
100	98-9380	1	Ball	270	98-7654	1	Gasket
110	98-9633	1	Gasket-Case, Gear	280	127-0400	1	Bolt-Hex
120	100-1765	3	Bolt	290	99-3515	1	Plug-Gearcase
130	105-3797	4	Bolt	300	108-3841	1	Filter-Oil
140	98-9356	4	Bolt	310	98-9388	1	Joint-Pipe
150	107-9074	1	Bolt	320	98-7562	1	Washer-Plain
160	98-9586	1	Bolt				



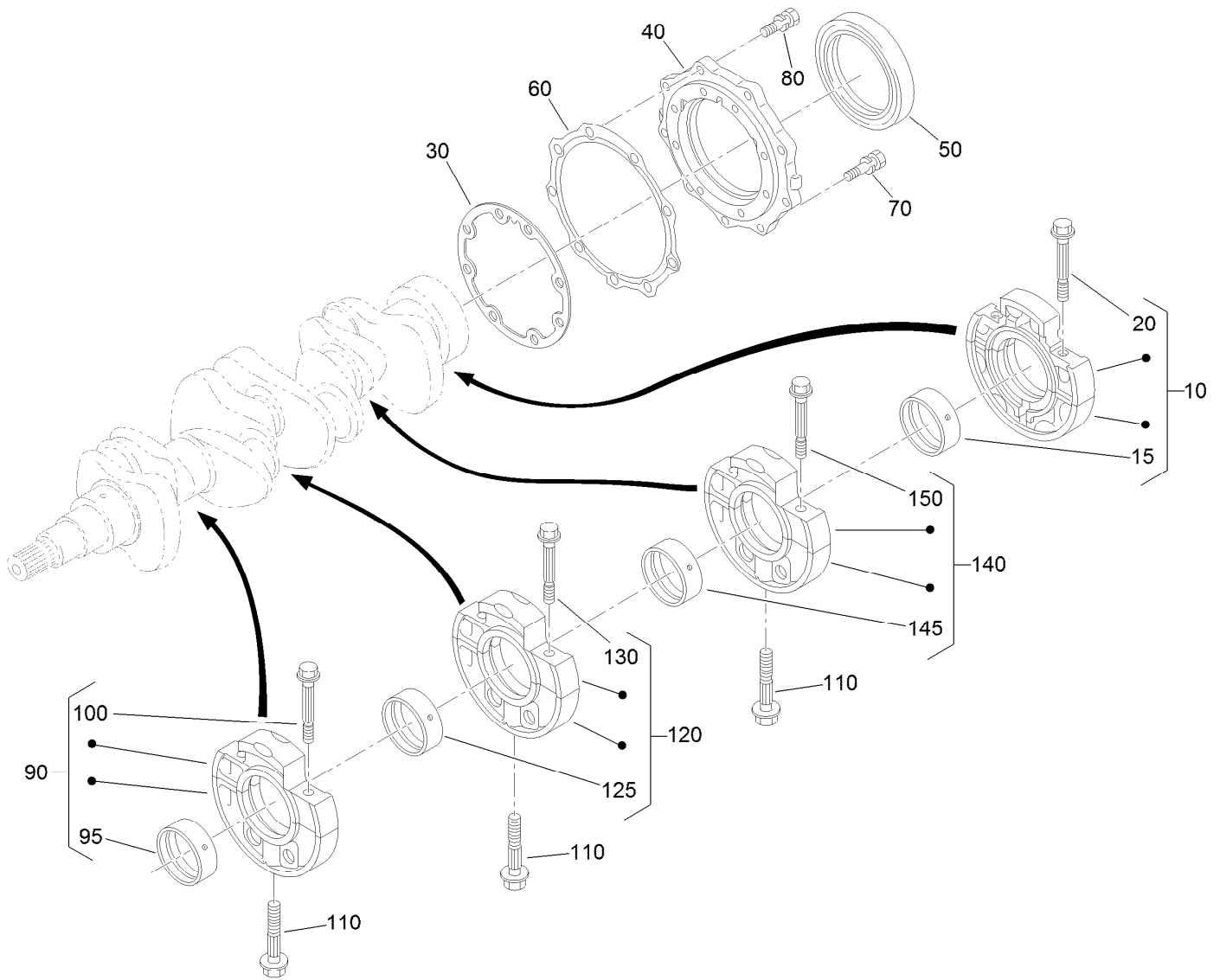
Cylinder Head Cover Assembly

Ref.	Part Number	Qty.	Description	Ref.	Part Number	Qty.	Description
10	127-0479	1	Cylinder Head Cover ASM	100	107-9075	1	Plug-Filler, Oil
20	105-3712	1	Gasket-Cover, Head	110	99-3446	1	O-Ring
30	98-7766	1	Pipe-Return, Water	120	127-0468	1	Valve-Pcv
40	108-7060	1	Cover-Breather	130	98-7528	1	O Ring-Copper
50	110-3846	2	O Ring-Breather	140	98-9455	4	Nut-Cap
60	115-3042	1	Cap-Sealing	150	98-9454	4	Gasket
70	127-0480	1	Spacer-Breather	160	127-0469	1	Tube-Breather
80	115-3044	4	Screw-Pan Head	170	127-0491	1	Clamp-Hose
90	127-0408	4	Washer-Lock, Spring	180	98-9579	1	Band-Pipe



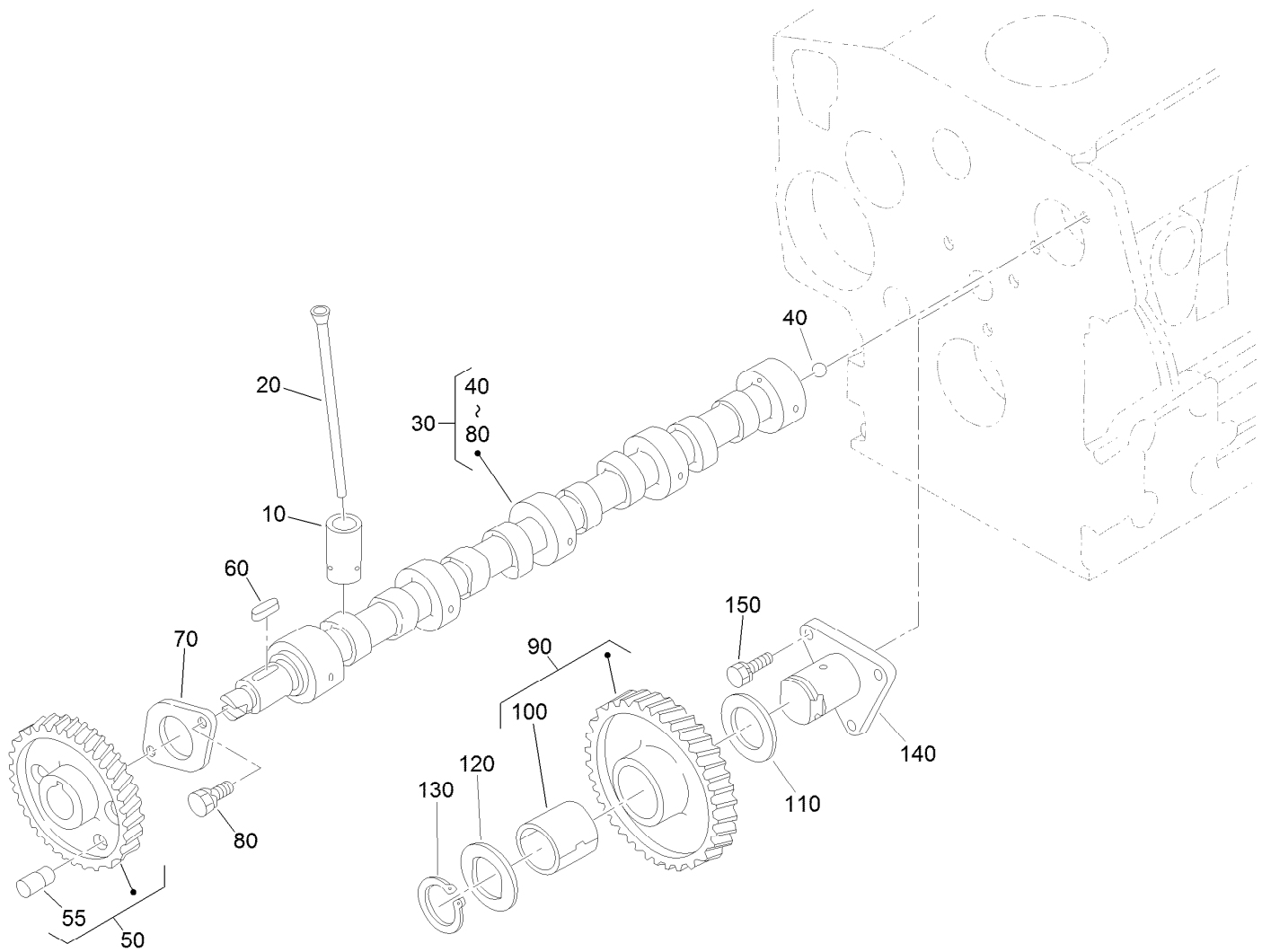
Oil Dipstick and Guide Assembly

<i>Ref.</i>	<i>Part Number</i>	<i>Qty.</i>	<i>Description</i>
10	98-9670	1	Gauge-Oil
20	98-9672	1	Oil Gauge Guide ASM
30	98-9722	1	O-Ring
40	115-8504	1	Bolt-Flange
50	110-3720	1	Plug-Gauge, Oil



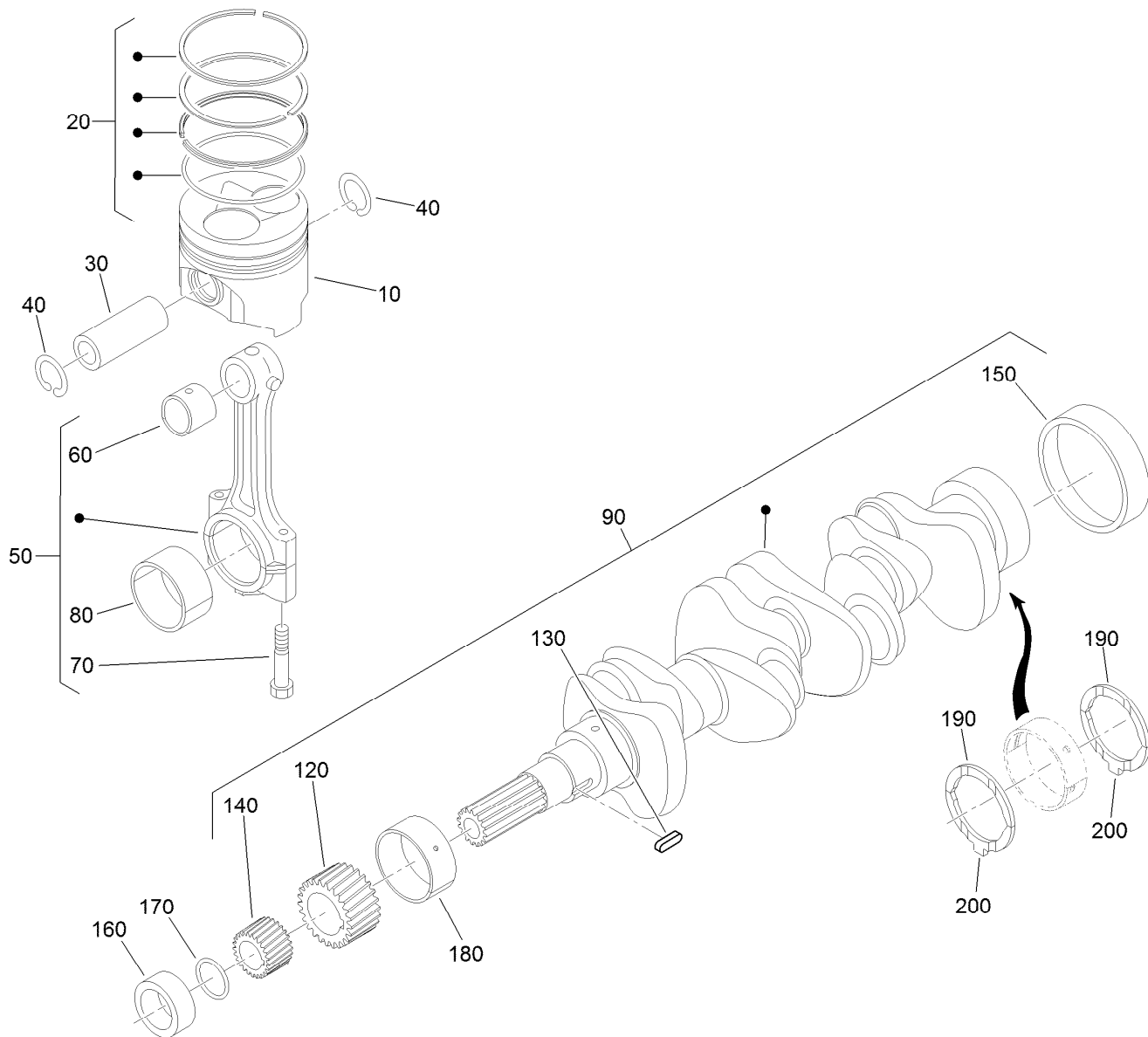
Main Bearing Case Assembly

<i>Ref.</i>	<i>Part Number</i>	<i>Qty.</i>	<i>Description</i>	<i>Ref.</i>	<i>Part Number</i>	<i>Qty.</i>	<i>Description</i>
10	112-7026	1	Wheel Bearing Case ASM	95	98-9524	2	Metal-Crankshaft (STD Set)
15	98-9525	1	Metal-Crankshaft (STD Set)	100	98-9484	2	Bolt-Case, Bearing
20	98-9484	2	Bolt-Case, Bearing	110	98-9485	3	Bolt-Case, Bearing
30	127-0440	1	Gasket-Case, Bearing	120	127-0428	1	Main Bearing Case ASM
40	112-7046	1	Cover-Case, Bearing	125	98-9524	1	Metal-Crankshaft (STD Set)
50	112-0180	1	Seal-Oil	130	98-9484	2	Bolt-Case, Bearing
60	112-7037	1	Gasket-Cover, Case	140	127-0429	1	Bearing Case ASM
70	127-0441	8	Bolt	145	98-9524	1	Metal-Crankshaft (STD Set)
80	127-0442	9	Bolt	150	98-9484	2	Bolt-Case, Bearing
90	127-0427	1	Main Bearing Case ASM				



Cam Shaft and Idle Gear Assembly

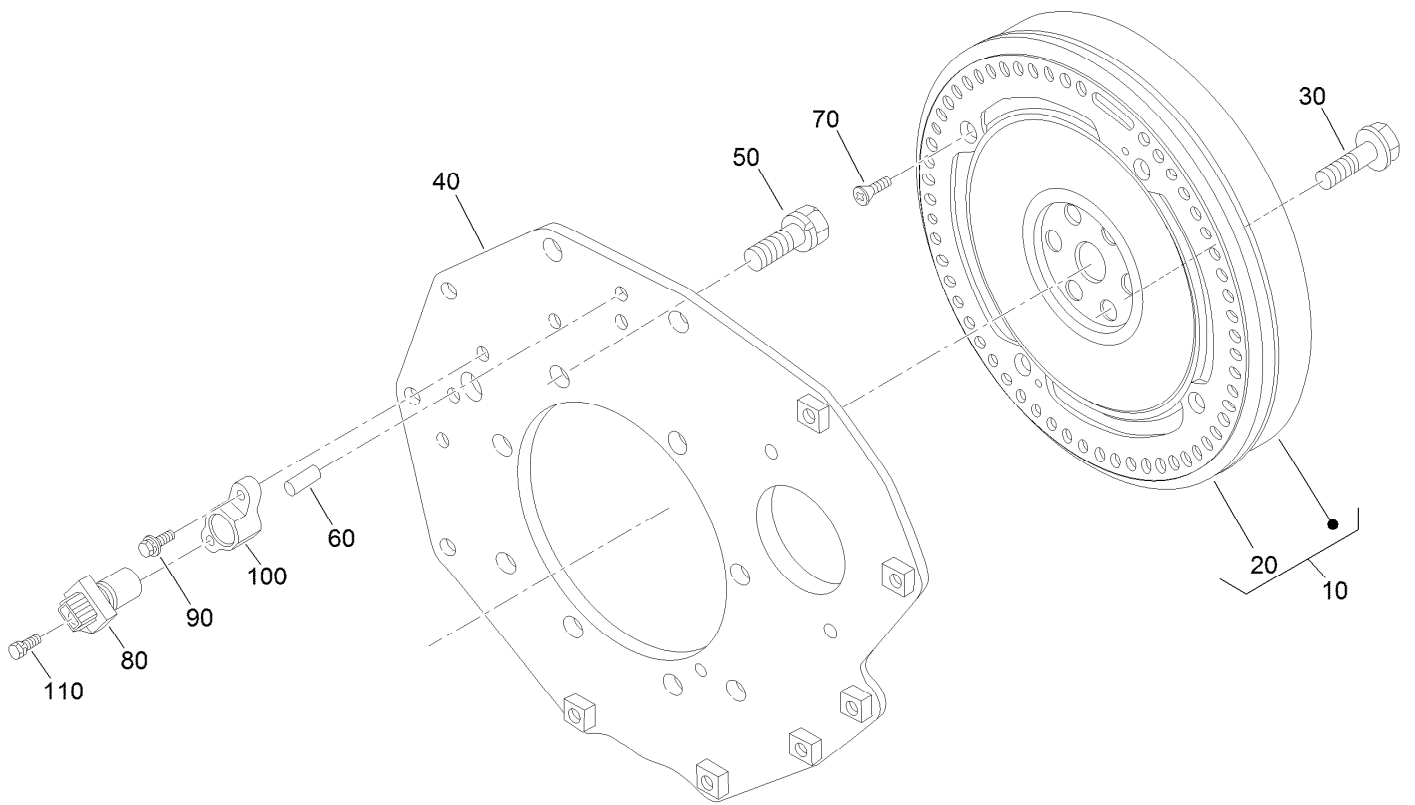
<i>Ref.</i>	<i>Part Number</i>	<i>Qty.</i>	<i>Description</i>	<i>Ref.</i>	<i>Part Number</i>	<i>Qty.</i>	<i>Description</i>
10	112-0185	8	Tappet	80	98-7692	2	Bolt
20	127-0421	8	Rod-Push	90	117-7584	1	Idler Gear ASM
30	127-0481	1	Camshaft ASM	100	117-7585	1	Bushing-Gear, Idle
40	110-3729	1	Ball	110	98-9535	1	Collar-Gear, Idle
50	127-0482	1	Cam Gear ASM	120	98-9536	1	Collar-Gear, Idle
55	127-0483	1	Pin-Gear, Cam	130	98-9534	1	Circlip-Gear, Idle
60	98-9378	1	Key-Feather	140	98-9533	1	Shaft-Gear, Idle
70	98-9510	1	Stopper-Camshaft	150	98-7692	3	Bolt



Piston and Crankshaft Assembly

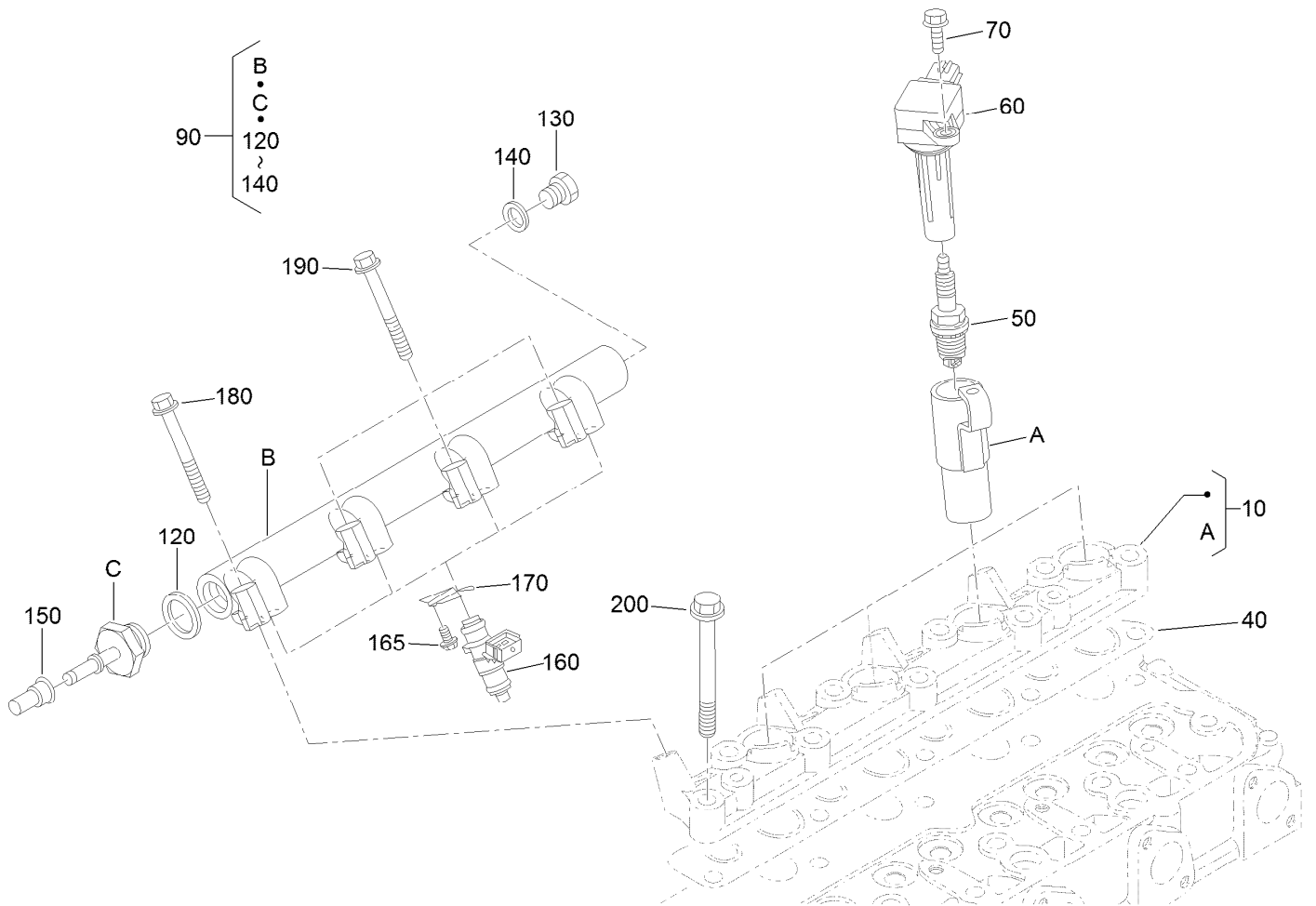
Ref.	Part Number	Qty.	Description
10	127-0487	4	Piston (STD)
10	127-0488	4	Piston (+0.50Mm)
20	127-0485	4	Piston Ring ASM (STD)
20	127-0486	4	Piston Ring ASM (+0.50Mm)
30	98-9513	4	Pin-Piston
40	98-9514	8	Circlip-Pin, Piston
50	117-7586	4	Connecting Rod ASM
60	115-3014	4	Bushing-Pin, Piston
70	98-9517	8	Bolt-Rod, Connecting
80	98-9553	4	Bearing-Rod (STD)
80	98-9519	4	Bearing-Rod (-0.2Mm)
80	117-7588	4	Metal-Crankpin (-0.4Mm)
90	127-0433	1	Metal-Crankshaft (-0.2Mm)
120	117-7561	1	Gear-Crankshaft

Ref.	Part Number	Qty.	Description
130	98-9666	1	Key
140	127-0445	1	Gear-Drive, Oil Pump
150	98-9522	1	Sleeve-Crankshaft
160	127-0444	1	Collar-Crankshaft
170	105-3783	1	O-Ring
180	98-9524	3	Metal-Crankshaft (STD Set)
180	127-0433	3	Metal-Crankshaft (-0.2Mm)
180	127-0432	1	Metal-Crankshaft (-0.4Mm)
190	98-9413	2	Bearing-Thrust (STD)
190	127-0416	2	Metal-Side (+0.2Mm)
190	127-0417	2	Metal-Side (+0.40Mm)
200	98-9688	2	Bearing-Thrust (STD)
200	127-0437	2	Metal-Side (+0.2Mm)
200	127-0438	2	Metal-Side (+0.40Mm)



Flywheel and Sensor Switch Assembly

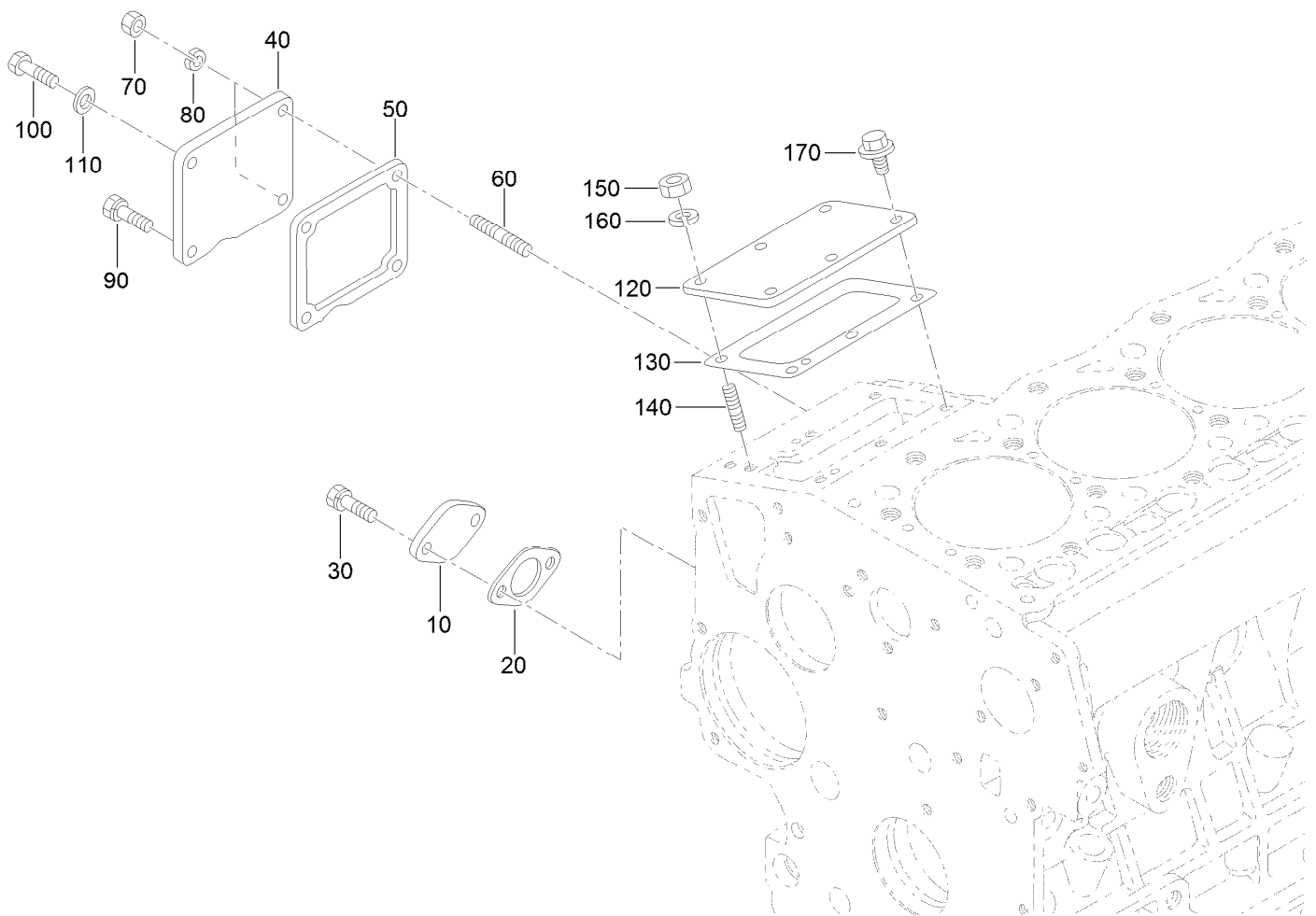
<i>Ref.</i>	<i>Part Number</i>	<i>Qty.</i>	<i>Description</i>
10	127-0489	1	Flywheel ASM
20	115-3015	1	Gear-Ring
30	98-9537	6	Bolt-Flywheel
40	127-0454	1	Plate-End, Rear
50	98-9392	8	Bolt
60	127-0412	2	Pin-Straight
70	127-0407	4	Screw-Head, Flat
80	125-9103	1	Sensor Stick ASM
90	127-0403	1	Bolt-Flange
100	127-0494	1	Holder-Sensor
110	127-0404	1	Bolt-Flange



Ignition Coil and Delivery Pipe Assembly

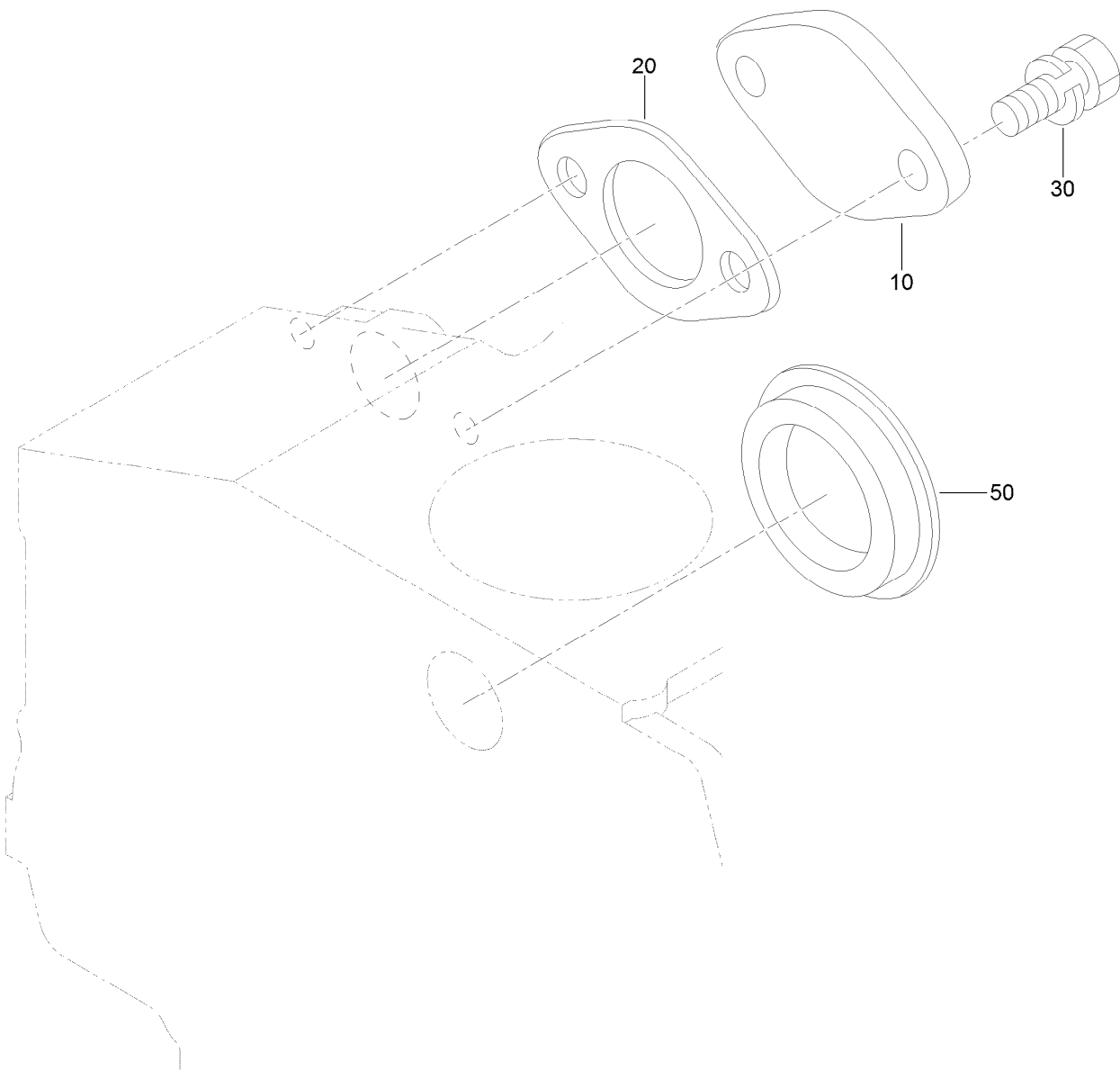
Ref.	Part Number	Qty.	Description
10	127-0459	1	Flange-Injector
40	127-0460	1	Gasket-Flange
50	127-0499	4	Spark Plug
60	127-0498	4	Coil-Ignition
70	99-8363	4	Bolt-Flange
90	127-0509	1	Delivery Pipe ASM
120	127-0411	1	Packing
130	127-0413	1	Plug

Ref.	Part Number	Qty.	Description
140	125-9096	1	Gasket
150	127-0456	1	Cap-Fuel
160	125-9107	4	Injector
165	100-1774	4	Bolt-Flange
170	127-0458	4	Stopper-Injector
180	127-0404	1	Bolt-Flange
190	127-0405	3	Bolt-Flange
200	127-0466	9	Bolt-Head, Cylinder



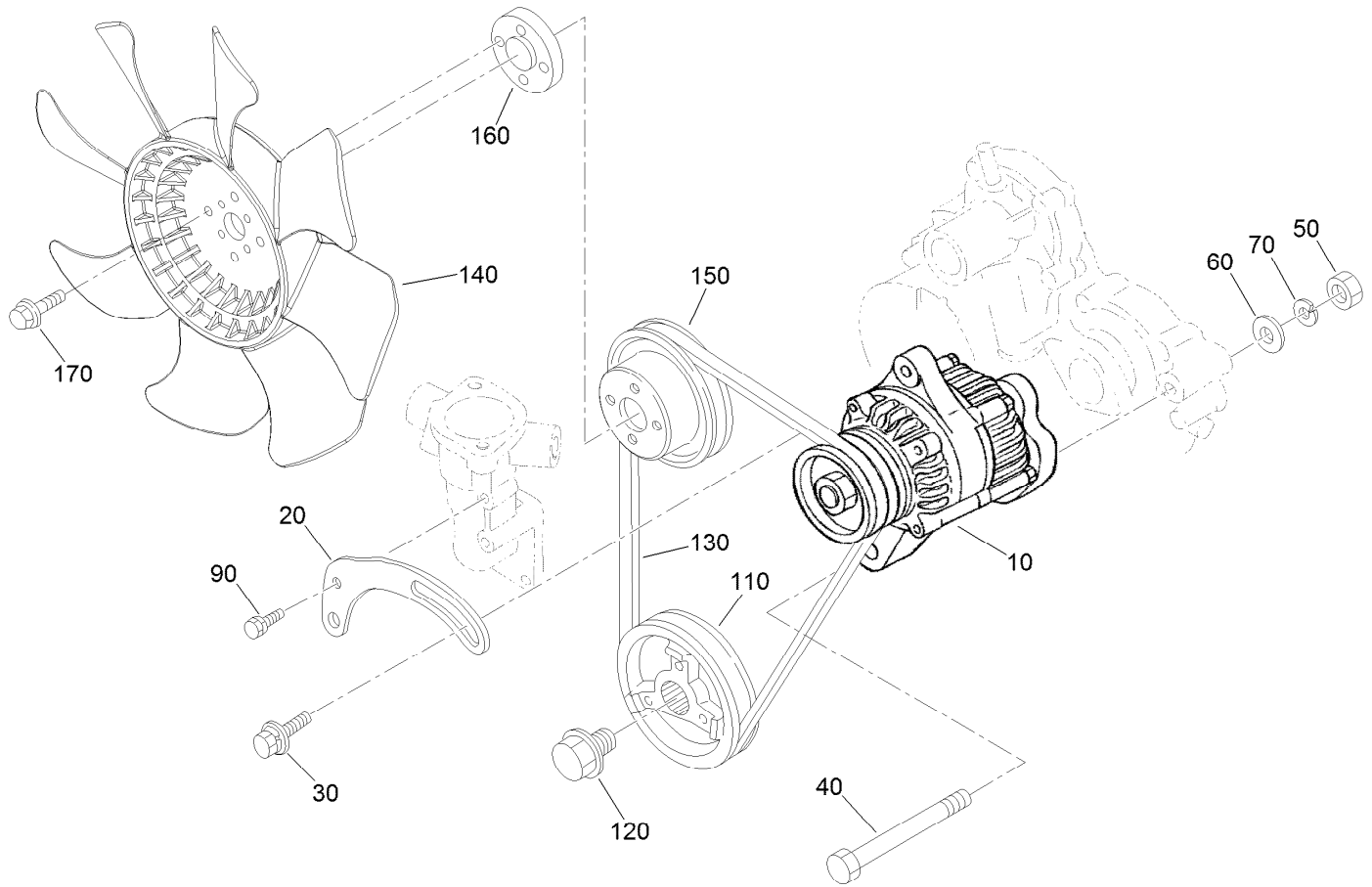
Engine Covers Assembly

<i>Ref.</i>	<i>Part Number</i>	<i>Qty.</i>	<i>Description</i>	<i>Ref.</i>	<i>Part Number</i>	<i>Qty.</i>	<i>Description</i>
10	115-4122	1	Cover-Shaft, Fork Lever	100	127-0401	1	Bolt-Hex
20	98-9682	1	Gasket	110	98-7654	1	Gasket
30	98-9350	2	Bolt	120	127-0465	1	Cover-Pump, Injection
40	127-0418	1	Cover	130	105-3728	1	Shim-Pump, Injection (.20Mm)
50	98-9637	1	Gasket	140	98-9438	3	Stud
60	105-3710	2	Stud	150	100-1776	3	Nut
70	98-7572	2	Nut	160	98-7699	3	Washer-Spring
80	98-7699	2	Washer-Spring	170	100-1774	3	Bolt-Flange
90	98-9350	1	Bolt				



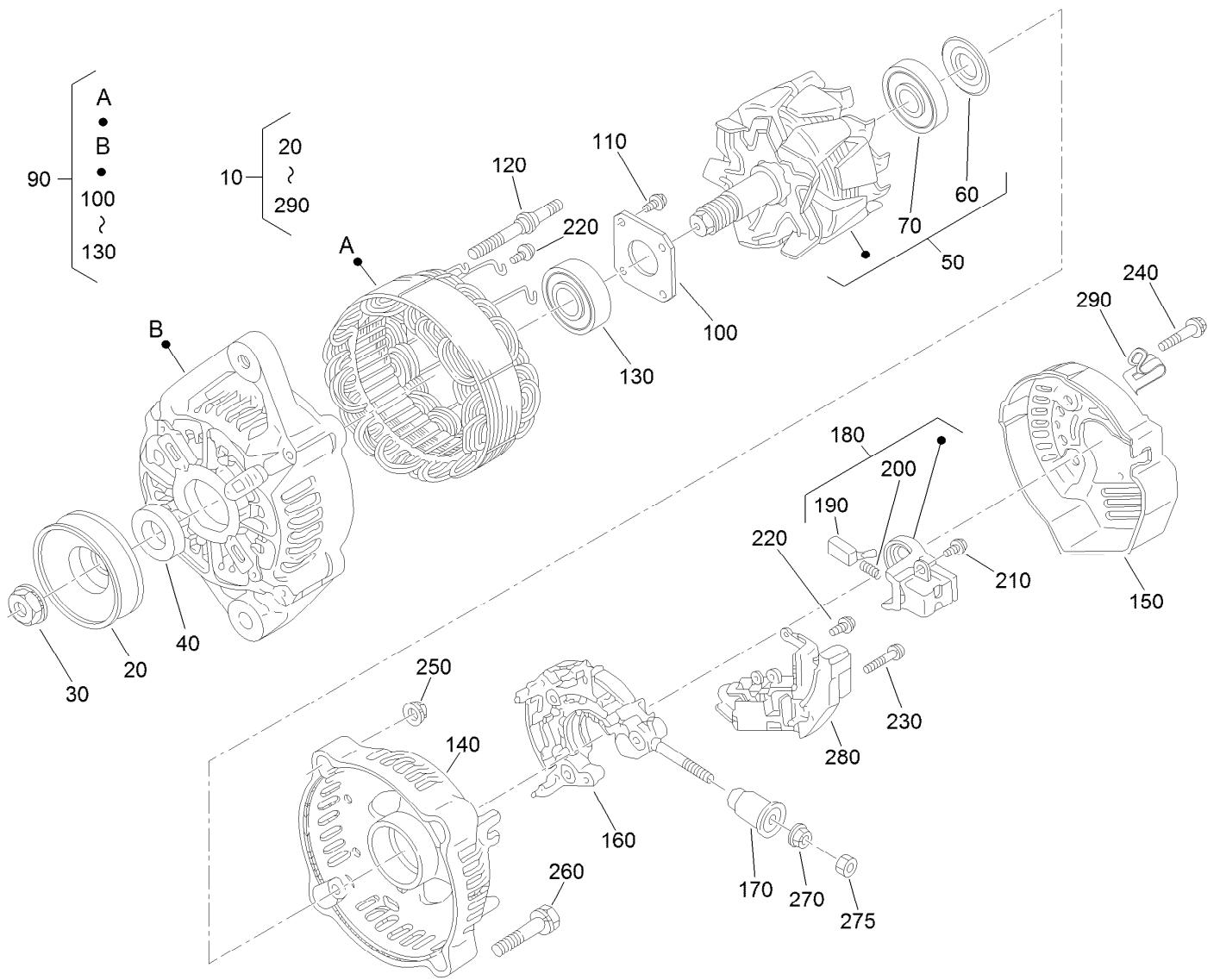
Solenoid Cover and Hydraulic Pump Cover

<i>Ref.</i>	<i>Part Number</i>	<i>Qty.</i>	<i>Description</i>
10	127-0419	1	Cover-Solenoid
20	98-9683	1	Gasket-Cover, Solenoid
30	98-7692	2	Bolt
50	112-7016	1	Cover-Pump



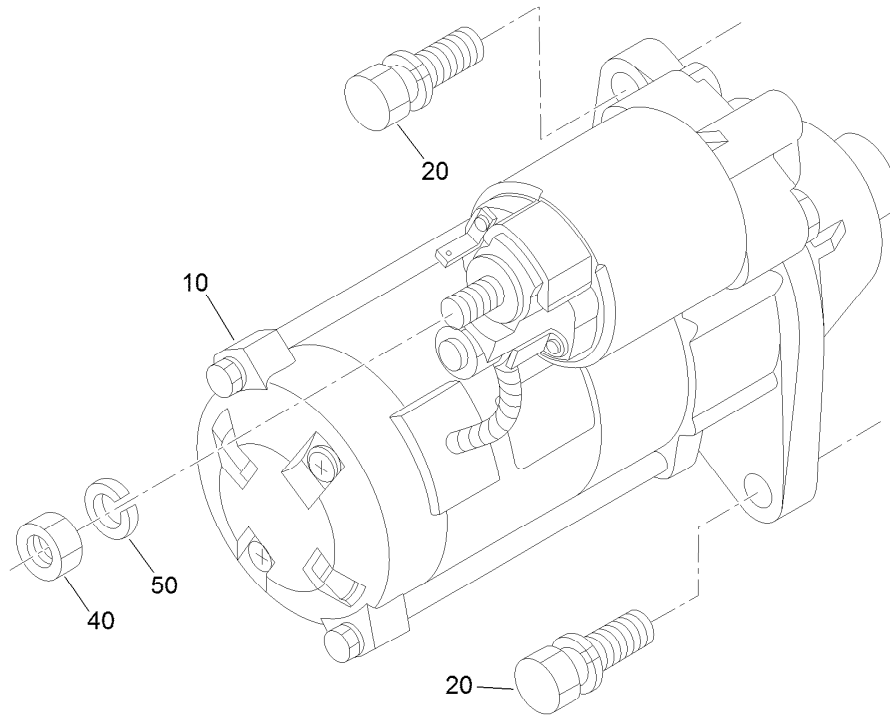
Alternator, Pulley and Fan Assembly

Ref.	Part Number	Qty.	Description
10	131-9567	1	60 Amp Alternator ASM
20	117-5542	1	Bracket
30	108-7088	1	Bolt
40	98-9360	1	Bolt
50	98-7737	1	Nut
60	98-9366	1	Washer-Plain
70	98-7738	1	Washer-Spring
90	98-7692	1	Bolt
110	105-3745	1	Pulley-Drive, Fan
120	98-9585	1	Bolt
130	104-3494	1	Belt-V
140	131-5803	1	Fan
150	98-9584	1	Pulley-Fan
160	108-2872	1	Collar-Fan
170	114-8414	4	Screw-HHF



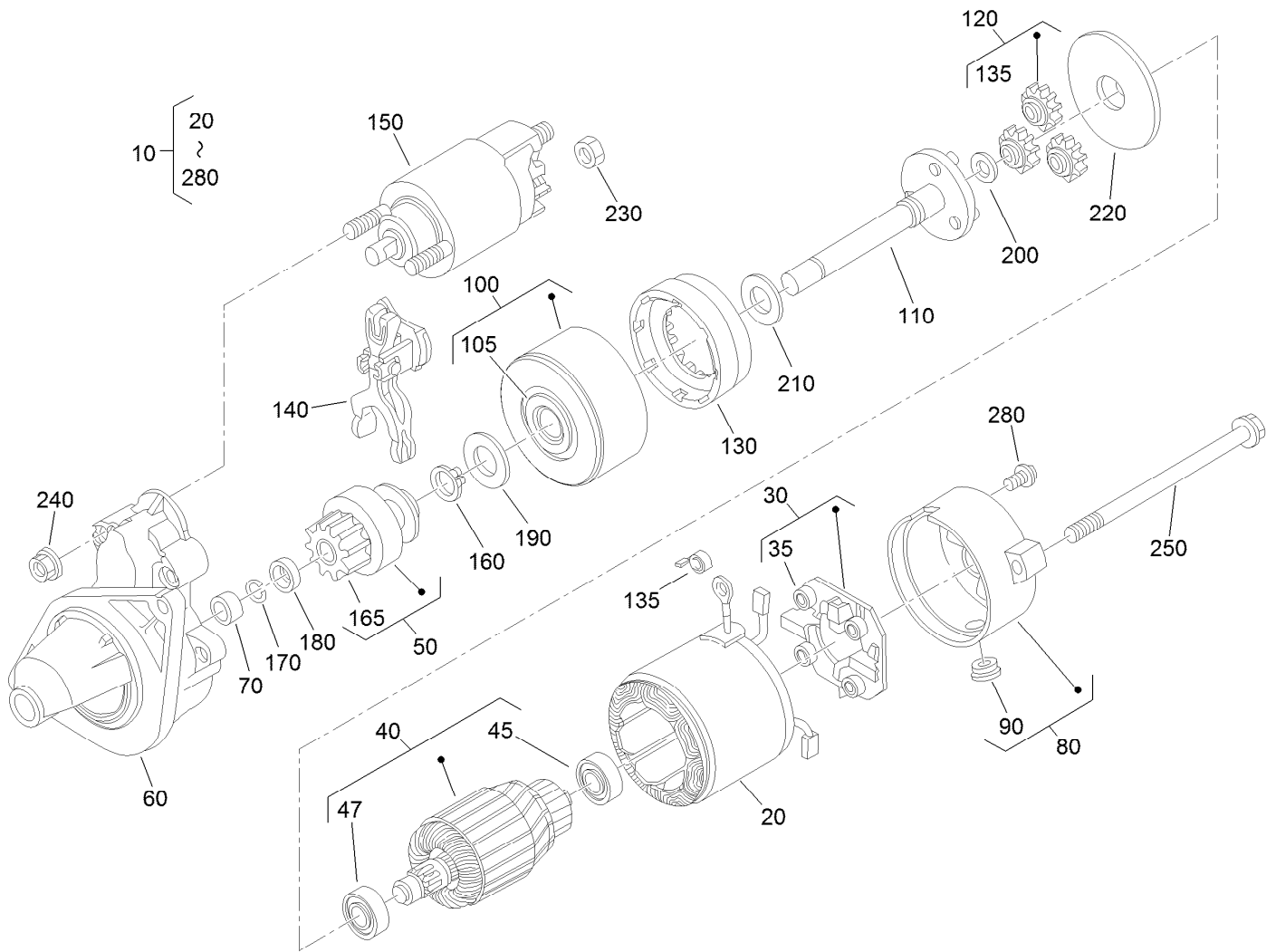
Alternator Components

Ref.	Part Number	Qty.	Description	Ref.	Part Number	Qty.	Description
10	131-9567	1	60 Amp Alternator ASM	170	117-0321	1	Insulation-Brush
20	98-9453	1	Pulley-Dynamo	180	107-0141	1	Brush Holder ASM
30	98-7708	1	Nut	190	98-7724	2	Brush
40	98-7709	1	Collar	200	98-7725	2	Spring-Brush
50	107-0136	1	Rotor ASM	210	98-7726	2	Screw-Head, Round
60	98-7711	1	Cover-Bearing	220	98-7727	6	Screw-Head, Round
70	107-0138	1	Bearing-Ball	230	98-7728	1	Screw-Head, Round
90	131-9573	1	Frame-End, Drive	240	98-7729	3	Bolt
100	98-7715	1	Plate-Retainer	250	98-7730	2	Nut
110	98-7716	4	Screw-Head, Round	260	98-7731	2	Bolt
120	98-7717	2	Bolt-Through	270	98-7732	1	Nut
130	133-2811	1	Bearing	275	100-1776	1	Nut
140	121-3812	1	Frame-End	280	121-3809	1	Regulator ASM
150	121-3813	1	Cover-End	290	120-5841	1	Clamp-Cord
160	121-3805	1	Rectifier ASM				



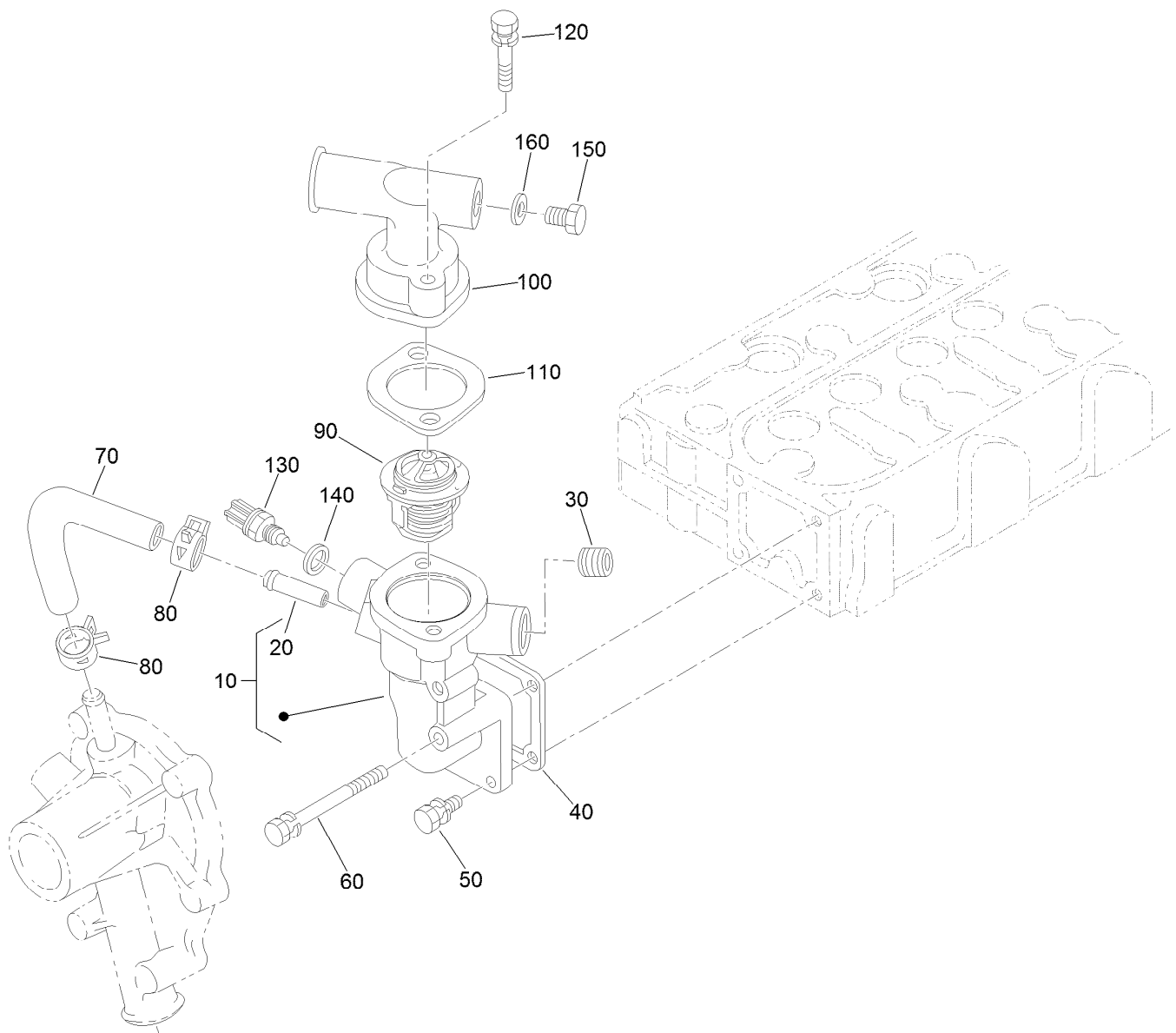
Starter Installation Assembly

<i>Ref.</i>	<i>Part Number</i>	<i>Qty.</i>	<i>Description</i>
10	127-0495	1	Starter ASM
20	98-7697	2	Bolt
40	98-7739	1	Nut
50	3253-4	1	Washer-Lock



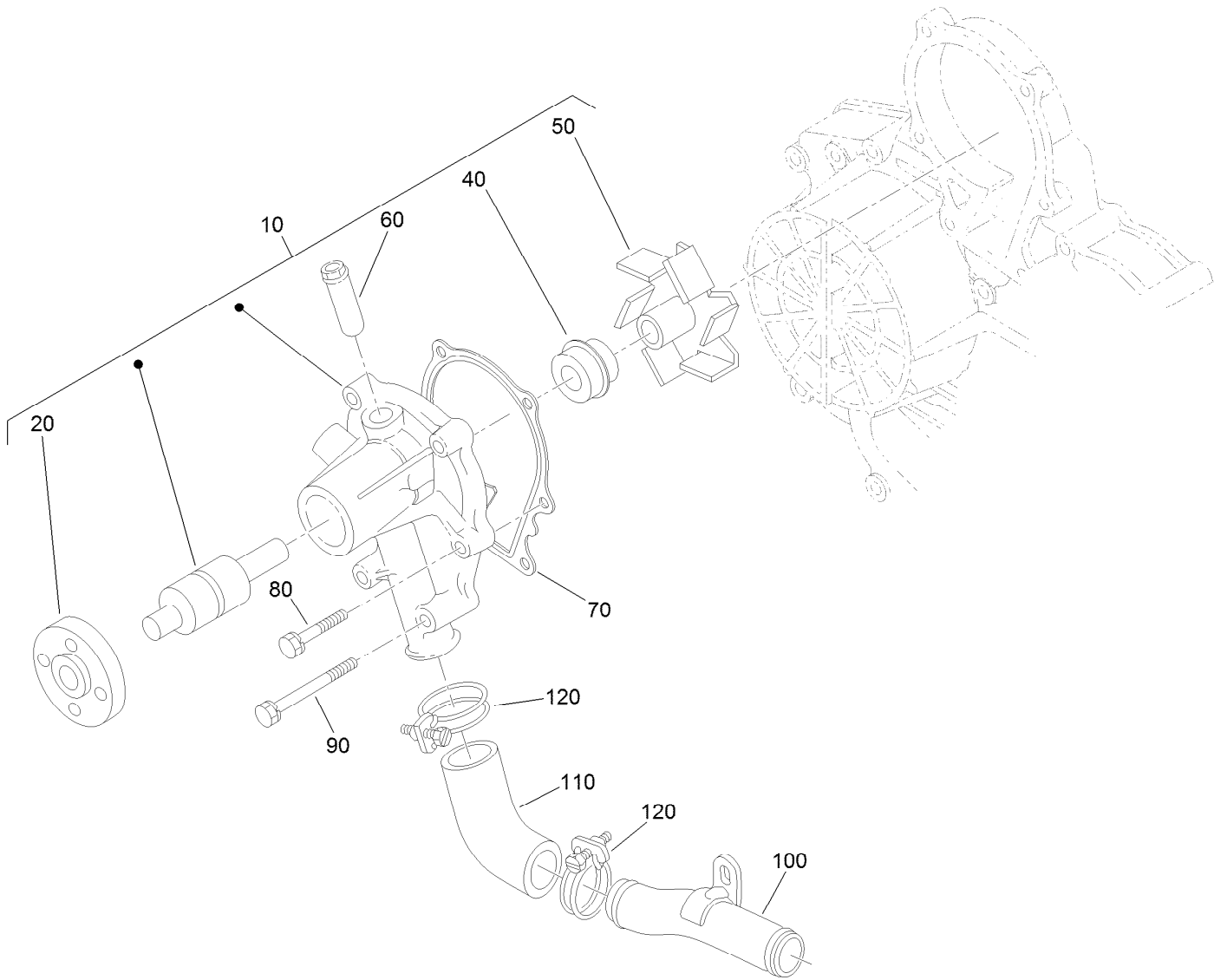
Starter Components Assembly

Ref.	Part Number	Qty.	Description	Ref.	Part Number	Qty.	Description
10	127-0495	1	Starter ASM	130	100-2221	1	Gear
20	100-2181	1	Starter Yoke ASM	135	98-7750	4	Spring-Brush
30	100-2222	1	Holder ASM	140	100-2218	1	Lever
35	127-0415	4	Spring-Brush	150	127-0448	1	Switch-Magnetic
40	100-2182	1	Armature ASM	160	100-2219	1	Ring-Snap
45	98-9412	1	Bearing-Ball	165	112-2833	1	Gear-Pinion
47	98-9411	1	Bearing-Ball	170	100-2212	1	Ring-Snap
50	100-2185	1	Starter Clutch ASM	180	100-2216	1	Collar
60	127-0490	1	Starter Housing ASM	190	100-2224	1	Washer-Plain
70	100-2183	1	Bearing	200	100-2225	1	Washer-Plain
80	127-0449	1	Frame ASM	210	100-2226	1	Washer-Plain
90	100-2213	1	Cover	220	100-2227	1	Plate
100	100-2223	1	Bearing ASM	230	99-8371	1	Nut-Hex
105	127-0414	1	Bearing	240	100-1813	2	Nut
110	100-2187	1	Starter Shaft ASM	250	100-2210	2	Bolt-Through
120	100-2220	3	Gear	280	100-2188	2	Screw



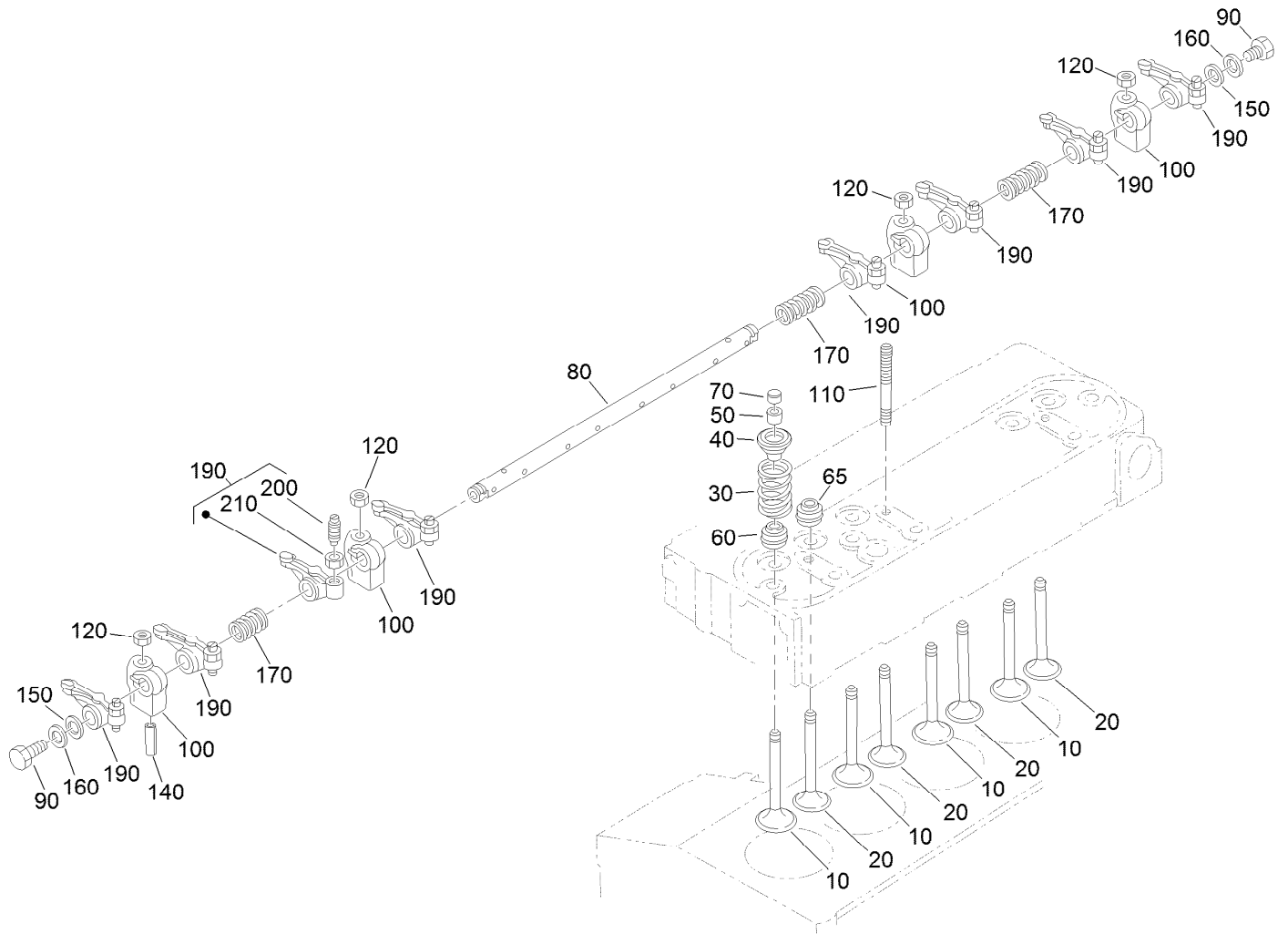
Water Flange and Thermostat Assembly

<i>Ref.</i>	<i>Part Number</i>	<i>Qty.</i>	<i>Description</i>	<i>Ref.</i>	<i>Part Number</i>	<i>Qty.</i>	<i>Description</i>
10	127-0435	1	Water Flange ASM	90	98-7778	1	Thermostat ASM
20	98-9580	1	Pipe-Return, Water	100	108-2869	1	Cover-Thermostat
30	105-2874	1	Plug	110	105-3748	1	Gasket-Thermostat
40	98-9638	1	Gasket-Flange, Water	120	98-7777	2	Bolt
50	98-7692	3	Bolt	130	125-9102	1	Sensor-Temperature, Water
60	98-9356	1	Bolt	140	127-0410	1	Washer-Seal
70	98-9578	1	Pipe-Return, Water	150	108-2870	1	Plug-Drain
80	125-9078	2	Clamp-Hose	160	100-9155	1	Gasket



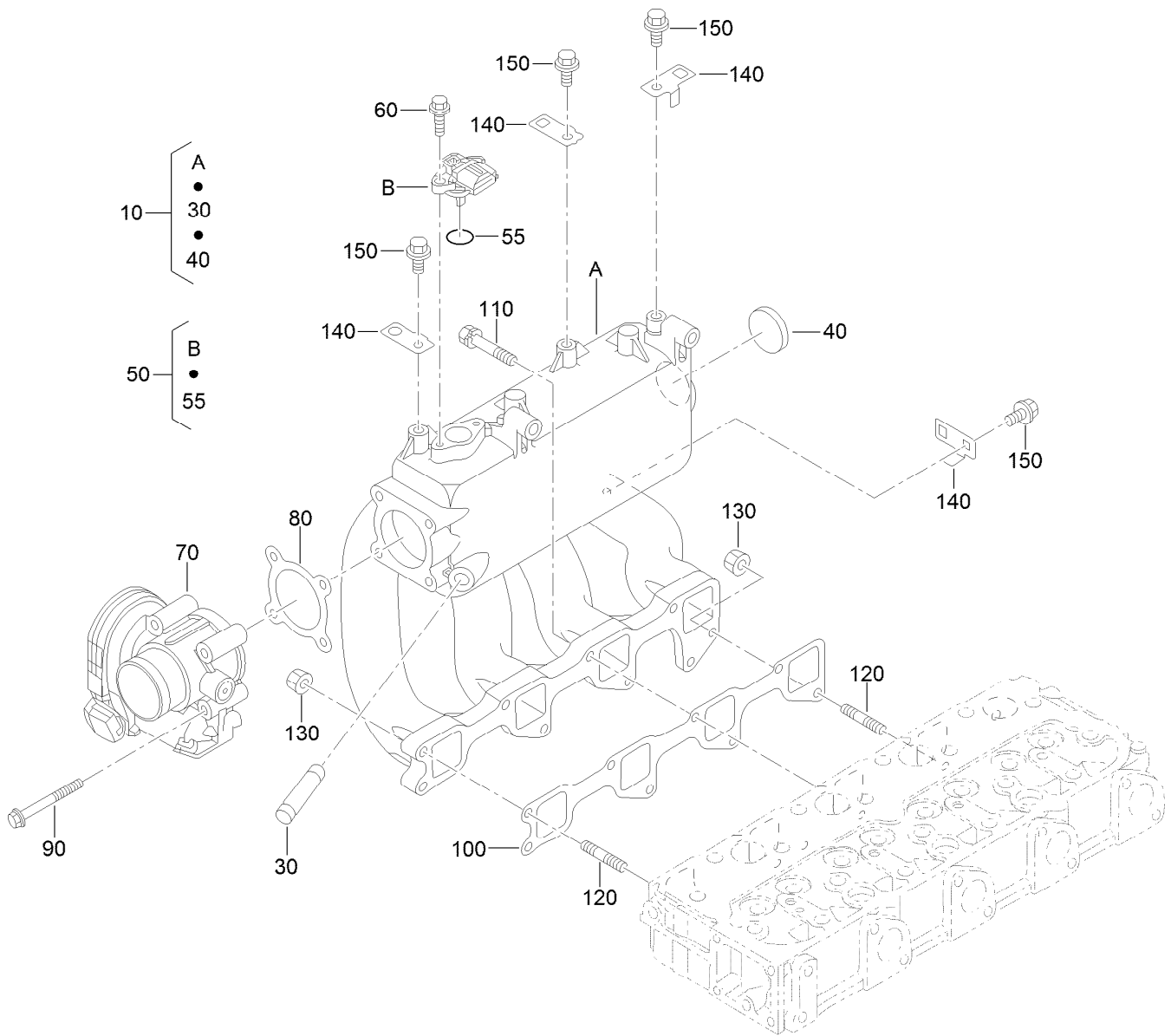
Water Pump Assembly

Ref.	Part Number	Qty.	Description
10	107-9089	1	Water Pump ASM
20	99-3516	1	Flange-Pump, Water
40	105-3750	1	Mechanical Seal ASM
50	112-7017	1	Impeller-Pump, Water
60	100-1932	1	Pipe-Return, Water
70	99-3454	1	Gasket-Pump, Water
80	98-9353	4	Bolt
90	107-9090	2	Bolt
100	98-9716	1	Pipe-Water
110	107-9091	1	Pipe-Water
120	127-0439	2	Clamp-Hose



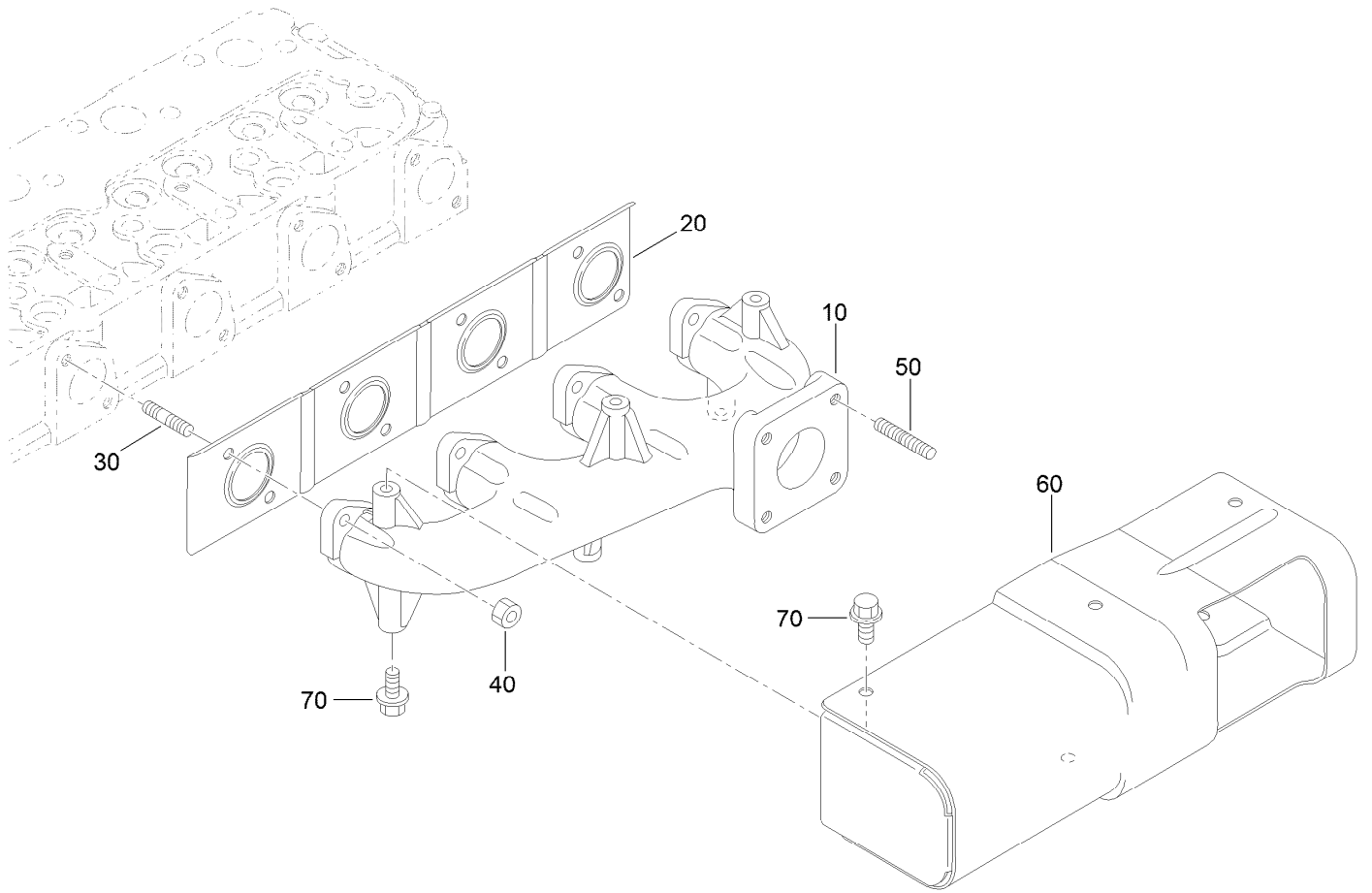
Valve and Rocker Arm Assembly

<i>Ref.</i>	<i>Part Number</i>	<i>Qty.</i>	<i>Description</i>	<i>Ref.</i>	<i>Part Number</i>	<i>Qty.</i>	<i>Description</i>
10	127-0475	4	Valve-Intake	100	98-9505	4	Bracket-Arm, Rocker
20	127-0476	4	Valve-Exhaust	110	98-9506	4	Stud
30	98-9626	8	Spring-Valve	120	131-6563	4	Nut-Flange
40	107-9092	8	Retainer-Spring	140	105-3758	1	Pin-Spring
50	117-7572	8	Collet-Spring, Valve	150	98-9507	2	Washer-Shaft, Rocker Arm
60	99-8385	4	Seal-Stem, Valve	160	110-3832	2	Washer-Plain
65	127-0477	4	Seal-Stem, Valve	170	98-9504	3	Spring-Arm, Rocker
70	98-9497	8	Cap-Valve	190	112-7020	8	Rocker Arm ASM
80	127-0420	1	Shaft-Arm, Rocker	200	98-9502	8	Screw-Adjusting
90	99-8363	2	Bolt-Flange	210	98-9503	8	Nut



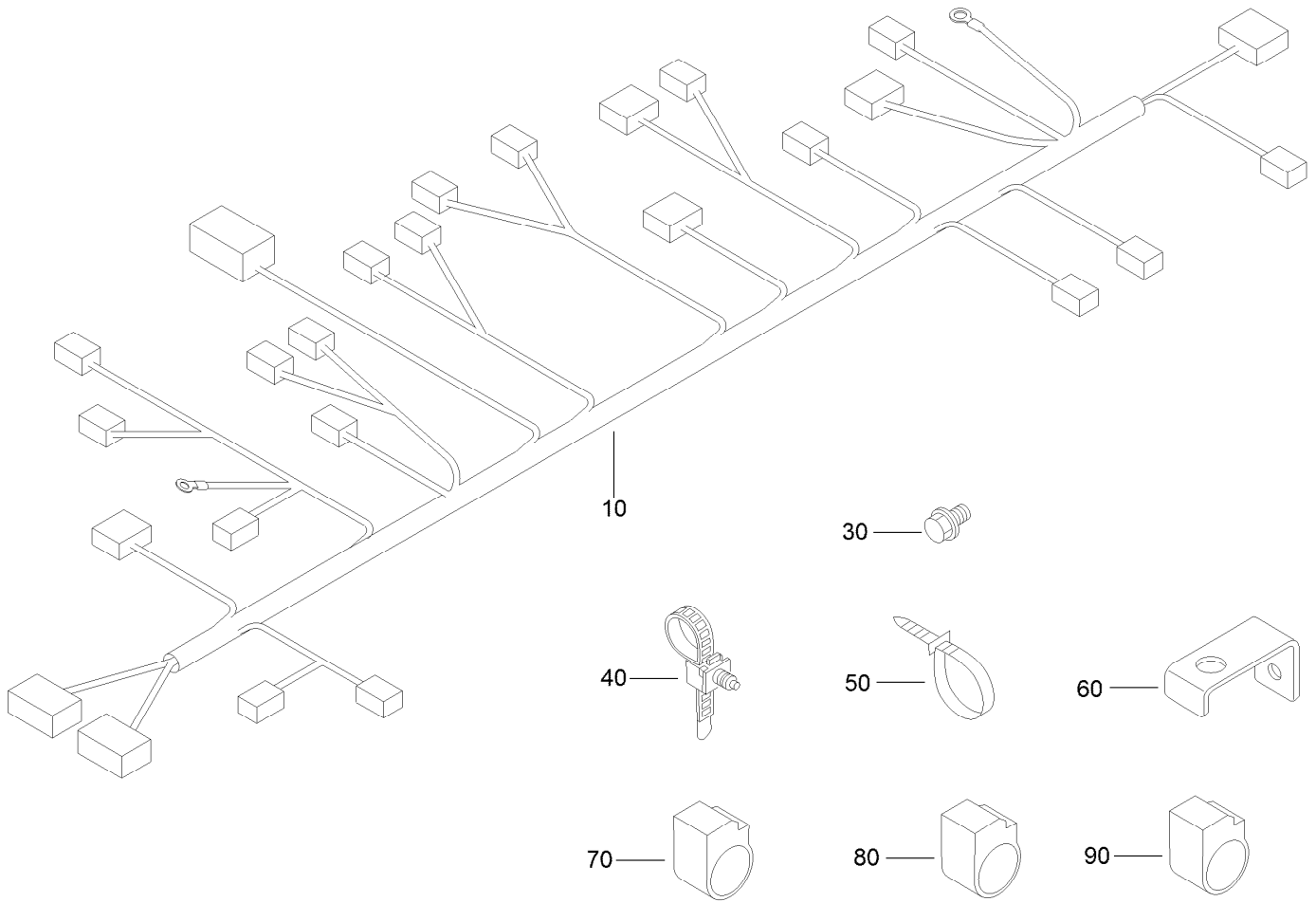
Inlet Manifold Assembly

Ref.	Part Number	Qty.	Description
10	127-0471	1	Manifold-Intake
30	127-0470	1	Joint-Tube, Breather
40	98-7539	1	Cap-Sealing
50	125-9110	1	Sensor (Tmap)
55	125-9112	1	O Ring
60	125-9111	2	Bolt-Flange
70	127-0492	1	Throttle Body ASM
80	127-0493	1	Gasket-Throttle
90	127-0405	1	Bolt-Flange
100	127-0472	1	Gasket-Intake
110	98-9352	6	Bolt
120	125-9092	2	Stud
130	100-2203	2	Nut-Flange
140	127-0496	4	Bracket-Harness
150	100-1774	4	Bolt-Flange



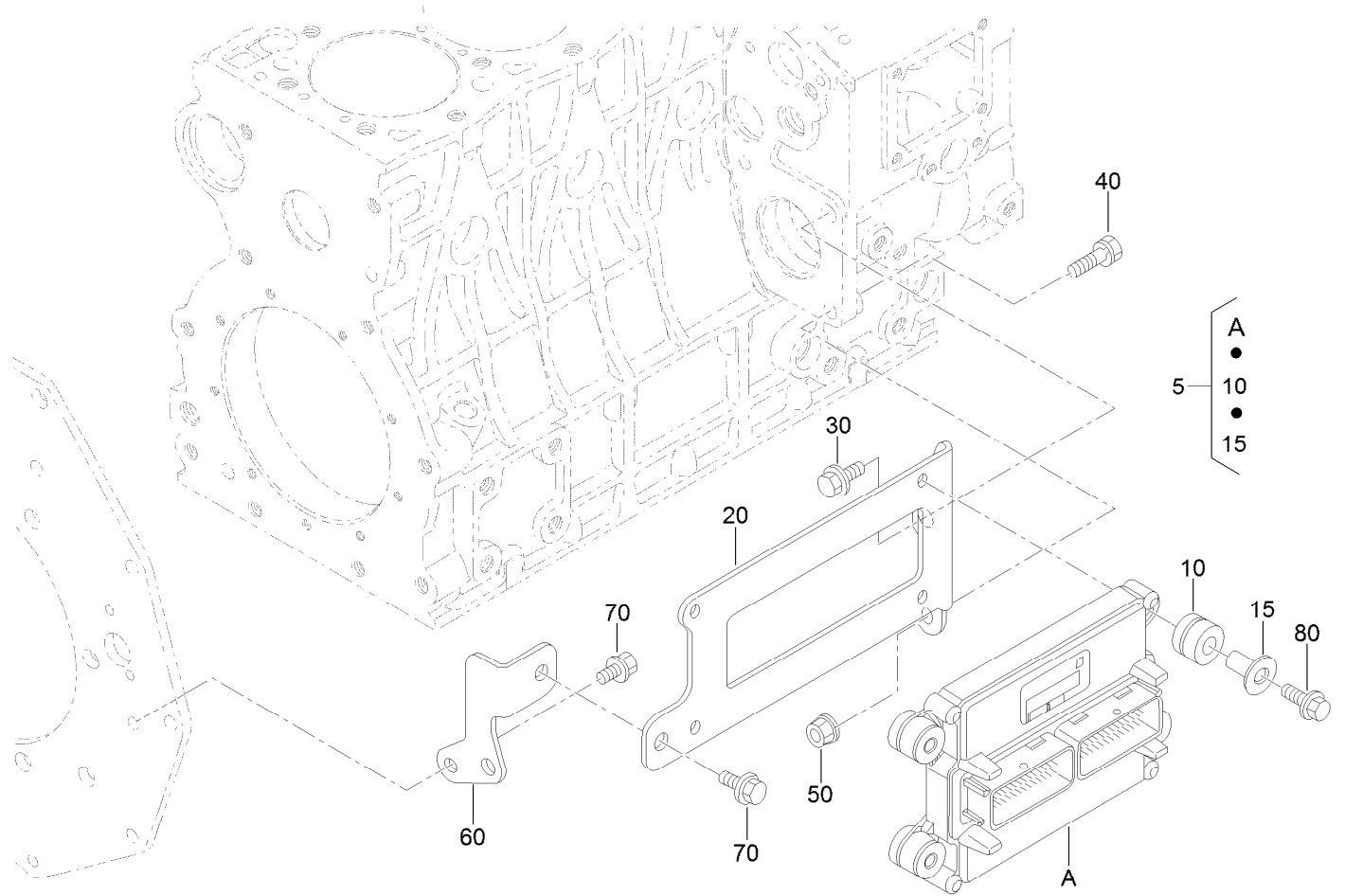
Exhaust Manifold Assembly

<i>Ref.</i>	<i>Part Number</i>	<i>Qty.</i>	<i>Description</i>
10	131-9592	1	Manifold-Exhaust
20	127-0474	1	Gasket-Manifold, Exhaust
30	127-0507	8	Stud
40	98-9665	8	Nut
50	127-0446	4	Stud
60	131-9593	1	Cover-Exhaust
70	99-8363	6	Bolt-Flange



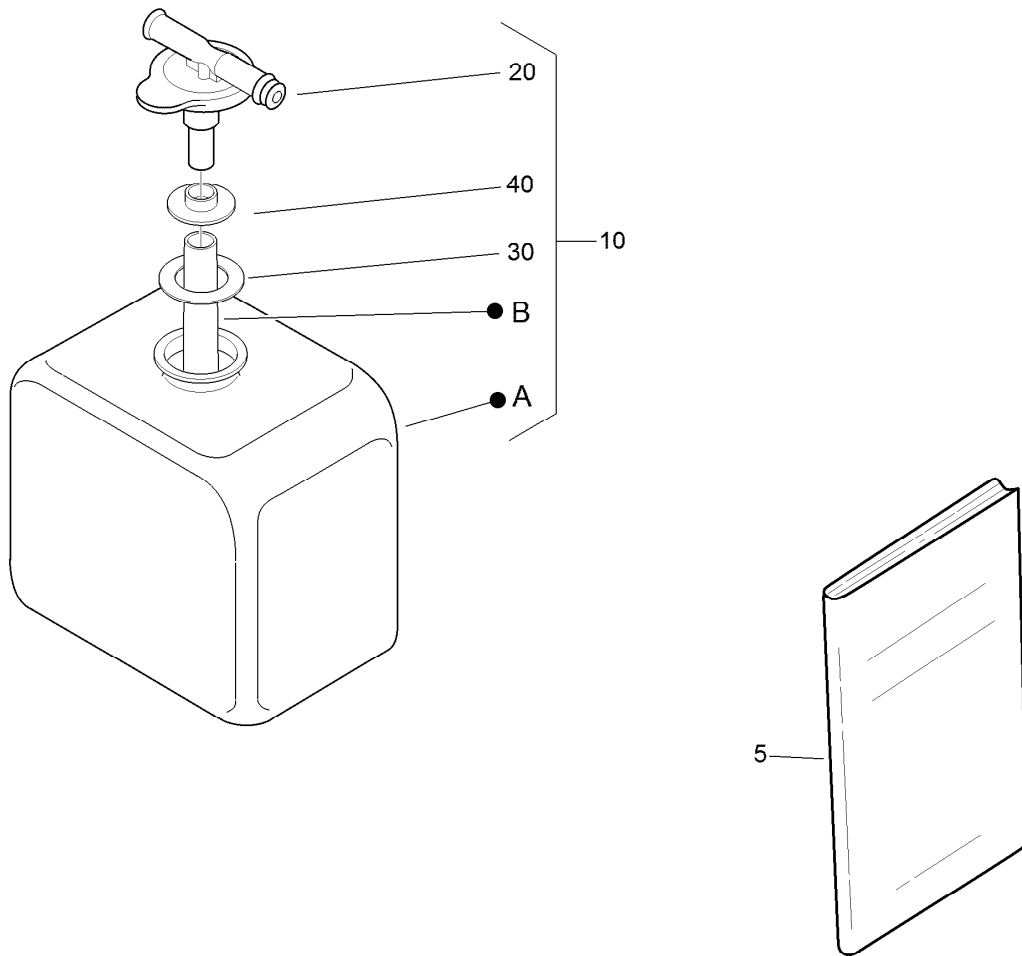
Wire Harness Assembly

<i>Ref.</i>	<i>Part Number</i>	<i>Qty.</i>	<i>Description</i>
10	127-0450	1	Wire Harness ASM
30	115-8504	1	Bolt-Flange
40	127-0515	1	Clamp
50	127-0447	4	Band-Cord
60	127-0497	1	Bracket-Harness
70	127-0514	1	Clamp
80	127-0513	2	Clamp
90	127-0512	1	Clamp



Electronic Control Unit Assembly

Ref.	Part Number	Qty.	Description
5	133-2789	1	Electronic Control Unit ASM
10	127-0501	4	Rubber-Cushion
15	127-0500	4	Spacer (E C U)
20	127-0502	1	Stay-E C M
30	127-0406	1	Bolt-Flange
40	98-7697	1	Bolt
50	112-2492	1	Nut-Flange
60	127-0503	1	Stay-E C M
70	115-8504	2	Bolt-Flange
80	125-9094	4	Bolt-Flange



Miscellaneous Engine Parts

<i>Ref.</i>	<i>Part Number</i>	<i>Qty.</i>	<i>Description</i>
5	136-2287	1	Manual-Owners
10	108-0638	1	Bottle-Overflow
20	105-3754	1	Cap
30	105-3755	1	Gasket
40	105-3756	1	Plate

Attachments and Accessories

For 41394 Multi Pro 5800-G Turf Sprayer with ExcelaRate Spray System

Product Name	Model/Part
Premium All Season Hydraulic Fluid (55 Gallon Drum)	108-1177
Premium All Season Hydraulic Fluid (5 Gallon Pail).....	108-1178
Premium Heavy Duty All Season Gear Lube (Pail)	108-1188
Premium All Purpose Grease (Tube)	108-1190
Premium Heavy Duty All Season Gear Lube (Quart)	108-1591
Spark Arrestor	115-2919
Tire	119-6021
Beacon Kit	120-8505
License Plate Kit.....	120-8506
Covered Boom Spring Upgrade Kit.....	120-8508
Premium Engine Oil 10w30 (55 Gal).....	121-6392
Premium Engine Oil 10w30 (5 Gallon Pail)	121-6393
Wheel And Tire Asm	127-1100
Lance Suction Assembly	127-9826
Low Flow Kit	130-7258
Ultra Sonic Boom Finishing Kit.....	130-8229
Right Hand Step Kit	130-8230
Left Hand Step Kit.....	130-8231
Foam Marker Finishing Kit.....	130-8292
Pivoting Hose Reel Finishing Kit, 2014 and Before Multi-Pro 5800 Turf Sprayer	131-3291
Pump Head Kit.....	133-2898
Rear Work Light Kit.....	41010
Single Nozzle Kit.....	41023
Hand Spray Wand Kit	41118
Pro Foam Concentrate (4 x 1 Gallon)	41157
Ultra Sonic Boom Leveling Kit	41219
Foam Marker Kit	41232
Drift Reduction Boom Shroud Kit	41602
Pro-Foam.....	41607
EU Compliance Kit.....	41608
Tank Rinse Kit.....	41614
Pivoting Hose Reel Kit	41621
Eductor Kit	41622
GeoLink Precision Spray System	41623
CDMA RTK Correction Modem Kit, GeoLink Precision Spray System	41624
GSM RTK Correction Modem Kit, GeoLink Precision Spray System.....	41625
GeoLink Reference Antenna Kit	41626
Road Light / Homologation Kit	41628
GeoLink Spray System Finishing Kit, 2016 and After Multi Pro 5800 Turf Sprayer	41632

Notes:

Notes:

Notes:



Count on it.