



Count on it.

Parts Catalog

EU Light Kit

**Groundsmaster® 4300-D or Reelmaster®
5010-H Traction Unit**

Model No. 31579



Ordering Replacement Parts

To order replacement parts, please supply the part number, the quantity, and the description of each part desired.

Understanding Reference Numbers

Each identified part in an illustration has a reference number. The reference number for a part also appears in the parts list, along with other information about the part.

This catalog uses two special reference number formats, one to indicate parts in a service assembly and another to indicate the quantity of a given part in an illustration.

Service Assembly Reference Numbers

Parts in service assemblies have reference numbers in the form a:b. The a represents the reference number of the entire service assembly and the b represents a sequential number unique to each part within the service assembly.

For example, a wheel assembly might be identified by reference number 6, the tire by 6:1, the valve by 6:2, and the wheel by 6:3. When you order the assembly identified by reference number 6, you receive all parts identified by reference numbers 6:1, 6:2, and 6:3. However, you may also order any part individually. Reference numbers of this type appear in illustration and in parts lists.

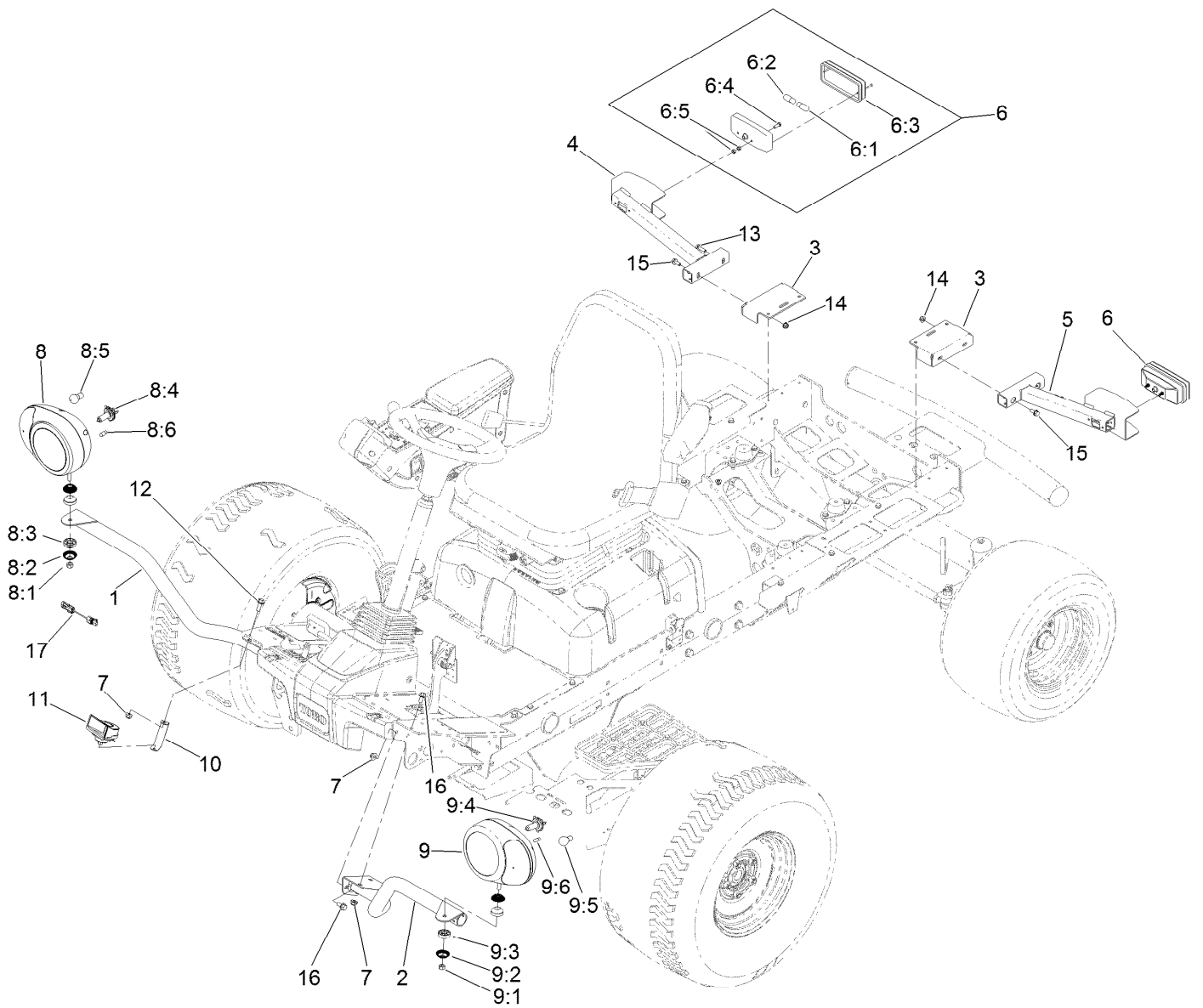
Reference Numbers Indicating Quantity

In an illustration, if a reference number indicates more than one part, the reference number has the form nX y. The n represents the quantity of the part, the X is the multiplication symbol, and the y represents the reference number.

For example, in an illustration, the reference number 2X 37 means that two of the parts identified by reference number 37 are indicated.

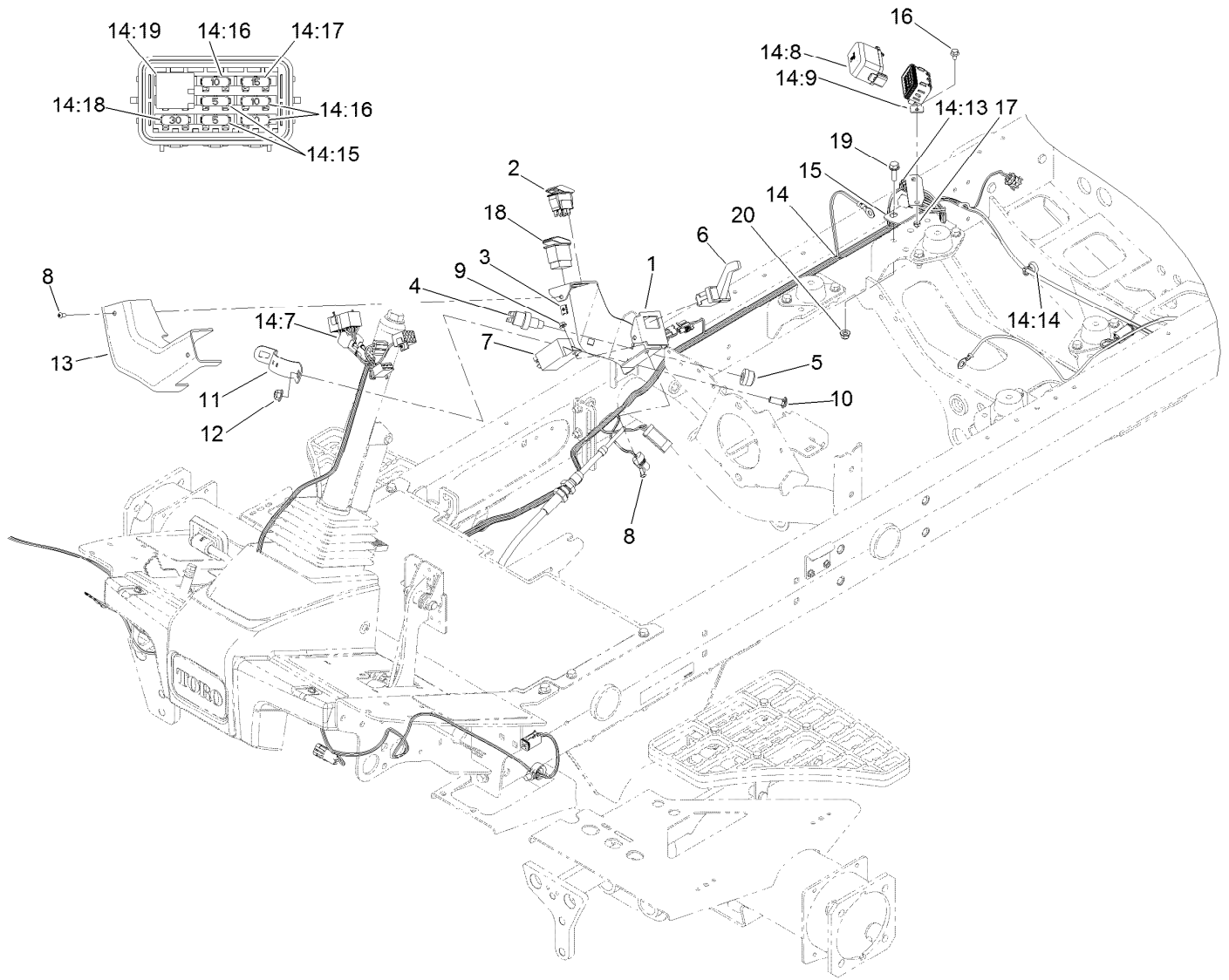
Contents

Head Light, Tail Light and Horn Assembly	4
Electrical Assembly	5
License Plate Mount Assembly	6
Speed Plate Assembly	7



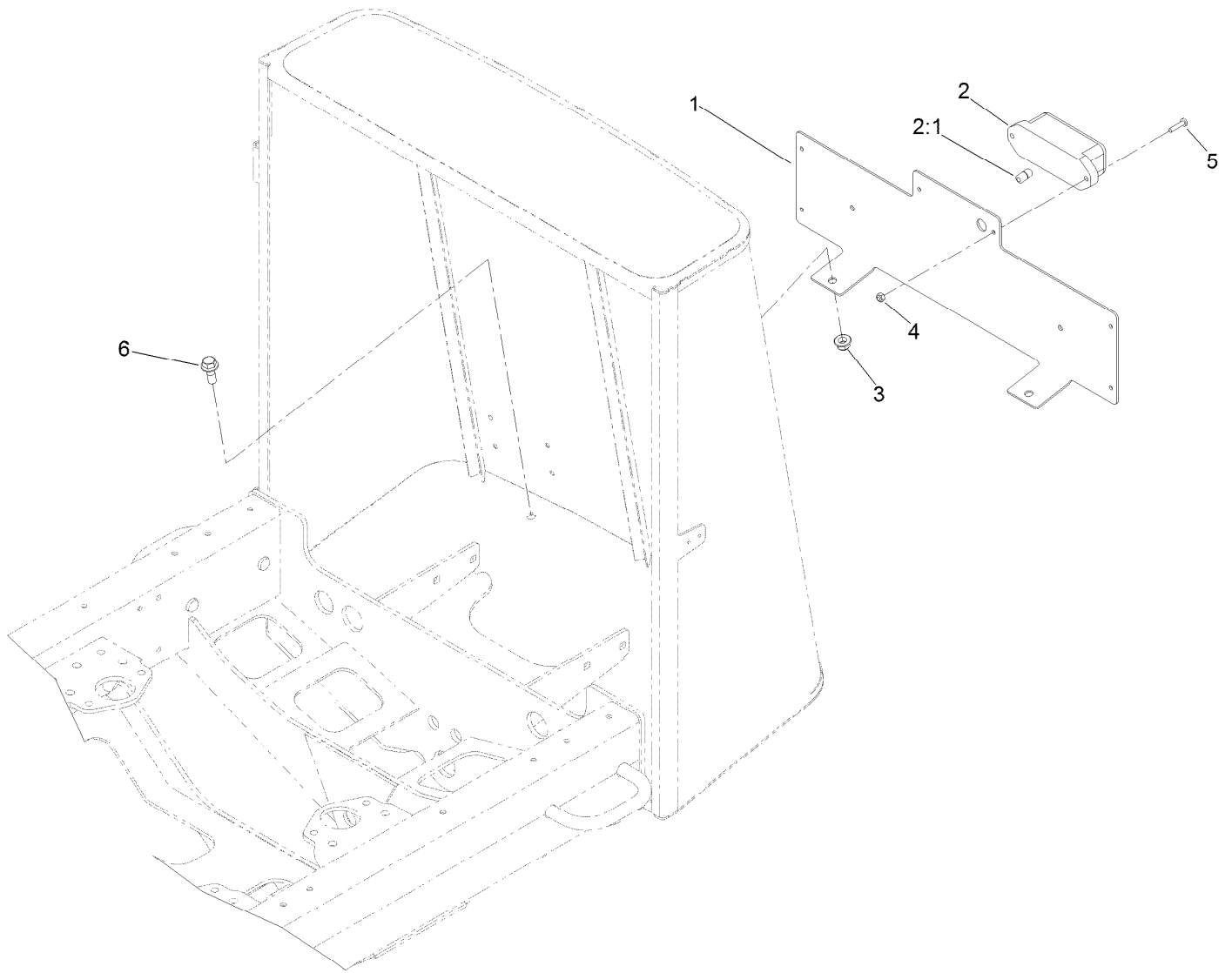
Head Light, Tail Light and Horn Assembly

Ref.	Part Number	Qty.	Description	Ref.	Part Number	Qty.	Description
1	127-2674-03	1	Mount-Light, RH	8:5	120-0472	1	Bulb-Lamp
2	127-2794-03	1	Mount-Light, LH	8:6	120-0473	1	Bulb-Lamp
3	136-7967-03	2	Bracket-Tail Extension	9	119-8324	1	LH Headlamp ASM
4	136-7965-03	1	Mount-Light , Rear (RH)	9:1	33025-00	1	Nut-Lock, NI
5	136-7966-03	1	Mount-Light , Rear (LH)	9:2	120-0475	2	Shell-Articulated
6	119-8093	2	Tail Light ASM	9:3	120-0474	2	Joint-Articulated
6:1	7228	1	Bulb	9:4	120-0471	1	Bulb-Halogen
6:2	108-8054	1	Bulb	9:5	120-0472	1	Bulb-Lamp
6:3	120-6656	1	Lens-Red	9:6	120-0473	1	Bulb-Lamp
6:4	60-6910	2	Screw-HH	10	125-8842	1	Bracket-Horn
6:5	48-7880	4	Nut-Hex	11	116749	1	Horn
7	104-8301	11	Nut-HF, NI	12	3234-11	2	Screw-HHF
8	119-8323	1	RH Headlamp ASM	13	3234-17	4	Screw-HHF
8:1	33025-00	1	Nut-Lock, NI	14	104-8300	4	Nut-HF, NI
8:2	120-0475	2	Shell-Articulated	15	3234-5	4	Screw-HHF
8:3	120-0474	2	Joint-Articulated	16	3234-1	8	Screw-HHF
8:4	120-0471	1	Bulb-Halogen	17	122-1390	1	Harness-Wire, Jumper Light



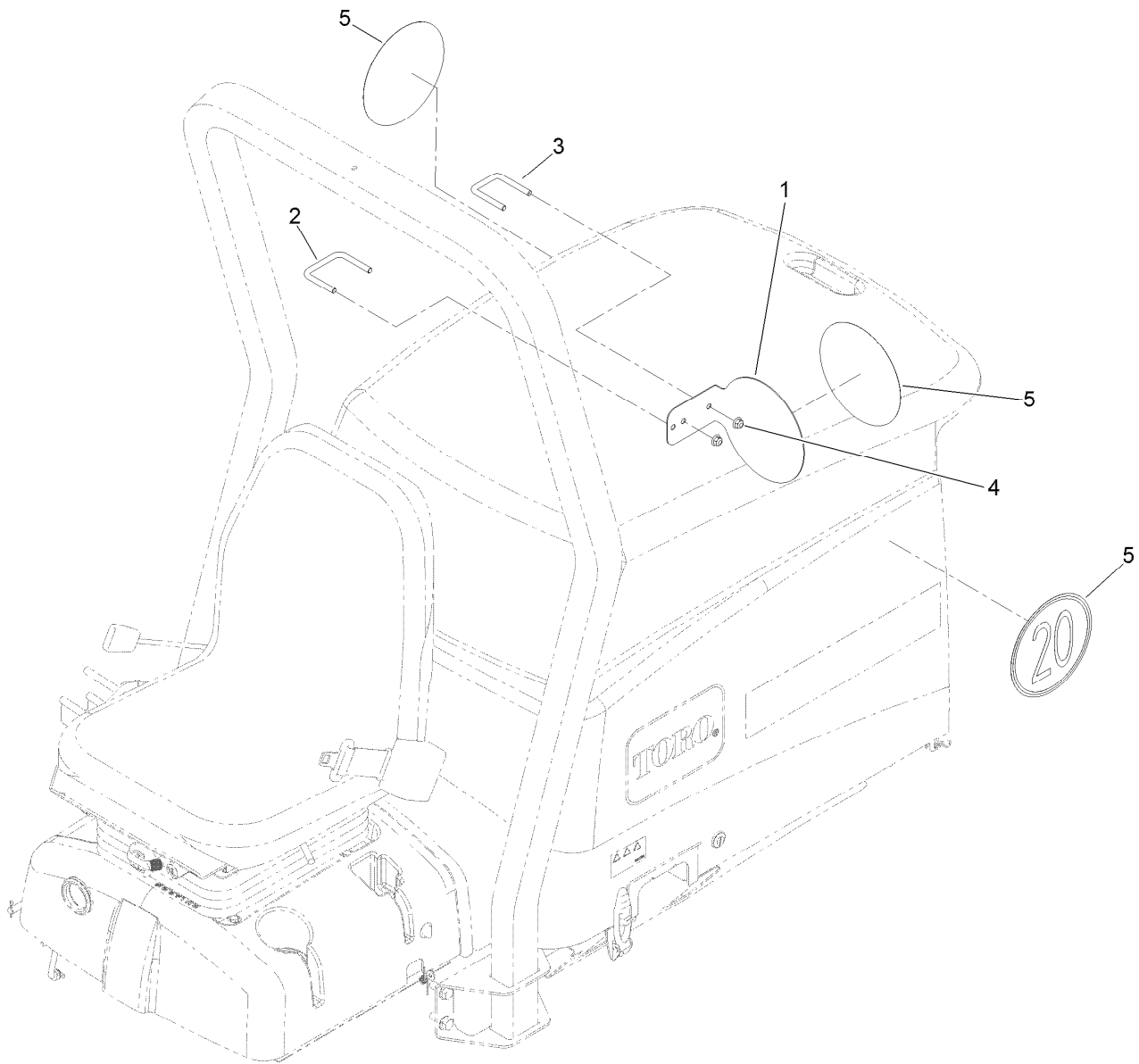
Electrical Assembly

<i>Ref.</i>	<i>Part Number</i>	<i>Qty.</i>	<i>Description</i>	<i>Ref.</i>	<i>Part Number</i>	<i>Qty.</i>	<i>Description</i>
1	131-7784-03	1	Bracket-Column	14:8	32180-220	1	Cover
2	119-7769	1	Switch-Rocker, On/None/On	14:9	32180-221	1	Bracket
3	701493	2	Nut-Speed	14:13	32180-056	2	Cap
4	112-3324	1	Switch-Horn	14:14	32180-139	2	Mount-Tie Wrap, Magnetic
5	112-3313	1	Nut-Weatherproof	14:15	121-8864	2	Fuse-Mini Blade, 5 Amp
6	120-3953	1	Switch-Paddle, On/Off/On	14:16	121-8866	3	Fuse-Mini Blade, 10 Amp
7	119-9880	1	Module-Flasher	14:17	121-8867	1	Fuse-Mini Blade, 15 Amp
8	115-9830	3	Screw-HSBH	14:18	121-8870	1	Fuse-Mini Blade, 30 Amp
9	32128-17	2	Nut-Lock, Flange	14:19	126-3991	1	Relay-Micro
10	3231-22	2	Screw-CARR	15	125-8844-03	1	Mount-Fuse Block
11	131-7786	1	Mount-Bracket, Column	16	33103-012	2	Screw-HHF
12	104-8301	11	Nut-HF, NI	17	33023-00	2	Nut-Lock
13	131-7785	1	Cover-Column	18	95-8999	1	Switch
14	122-0948	1	Harness-Wire	19	3234-29	2	Screw-HHF
14:7	100-4918	2	Diode	20	104-8300	2	Nut-HF, NI



License Plate Mount Assembly

Ref.	Part Number	Qty.	Description
1	125-8829-03	1	Mount-License Plate
2	119-8091	1	Light-Plate
2:1	120-7564	1	Bulb-12W
3	104-8301	2	Nut-HF, NI
4	3296-2	2	Nut-Lock, NI
5	3250-27	2	Screw-PPH
6	3234-42	2	Screw-HHF



Speed Plate Assembly

<i>Ref.</i>	<i>Part Number</i>	<i>Qty.</i>	<i>Description</i>
1	125-8843	1	Plate-Speed
2	119-6727	1	U-Bolt
3	104-9082	1	U-Bolt
4	104-8301	2	Nut-HF, NI
5	111-4247	3	Sign-20K



Count on it.