



Count on it.

Parts Catalog

Topdresser 2500

Model No. 44507—Serial No. 403310001 and Up



Ordering Replacement Parts

To order replacement parts, please supply the part number, the quantity, and the description of each part desired.

Understanding Reference Numbers

Each identified part in an illustration has a reference number. The reference number for a part also appears in the parts list, along with other information about the part.

This catalog uses two special reference number formats, one to indicate parts in a service assembly and another to indicate the quantity of a given part in an illustration.

Service Assembly Reference Numbers

Parts in service assemblies have reference numbers in the form a:b. The a represents the reference number of the entire service assembly and the b represents a sequential number unique to each part within the service assembly.

For example, a wheel assembly might be identified by reference number 6, the tire by 6:1, the valve by 6:2, and the wheel by 6:3. When you order the assembly identified by reference number 6, you receive all parts identified by reference numbers 6:1, 6:2, and 6:3. However, you may also order any part individually. Reference numbers of this type appear in illustration and in parts lists.

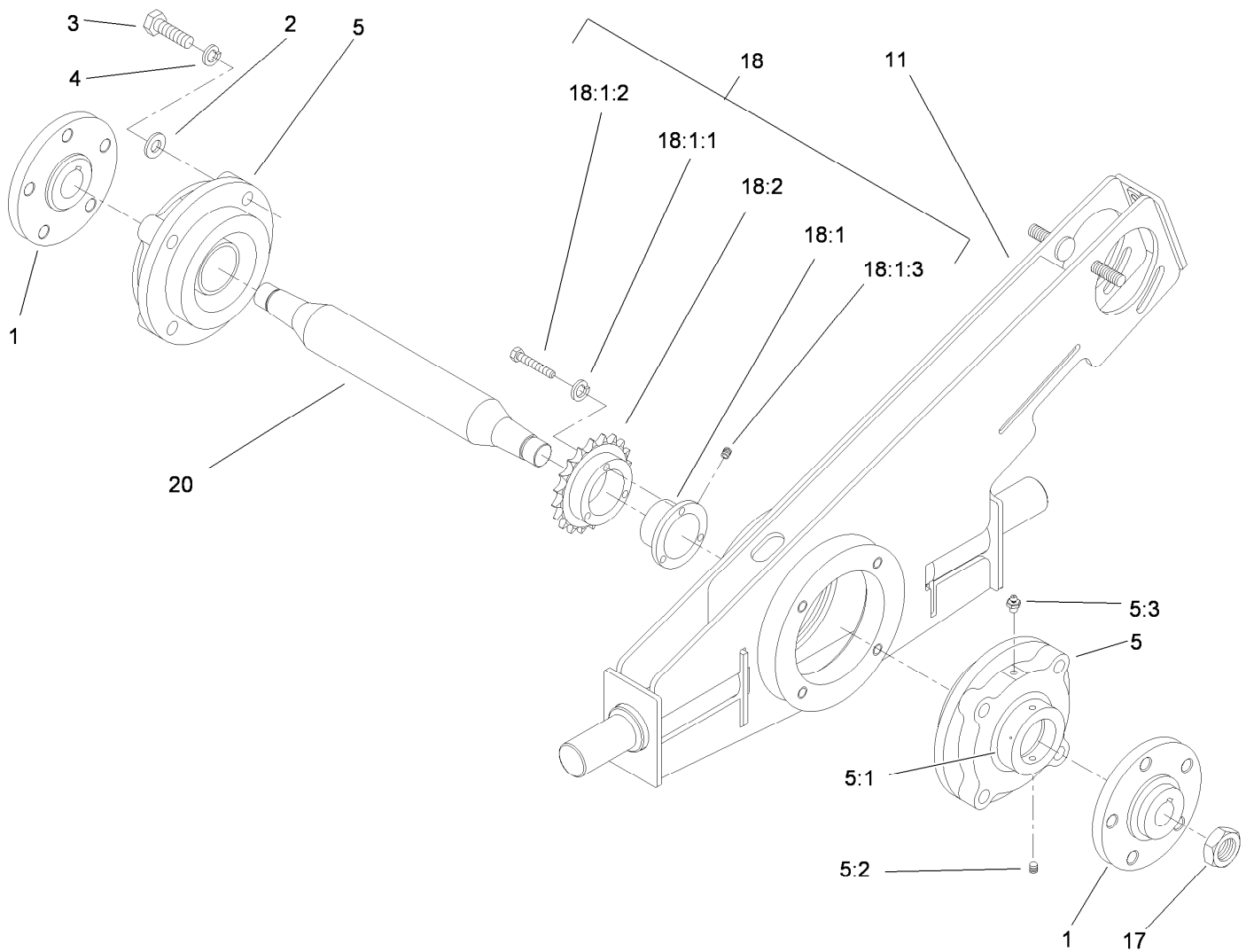
Reference Numbers Indicating Quantity

In an illustration, if a reference number indicates more than one part, the reference number has the form nX y. The n represents the quantity of the part, the X is the multiplication symbol, and the y represents the reference number.

For example, in an illustration, the reference number 2X 37 means that two of the parts identified by reference number 37 are indicated.

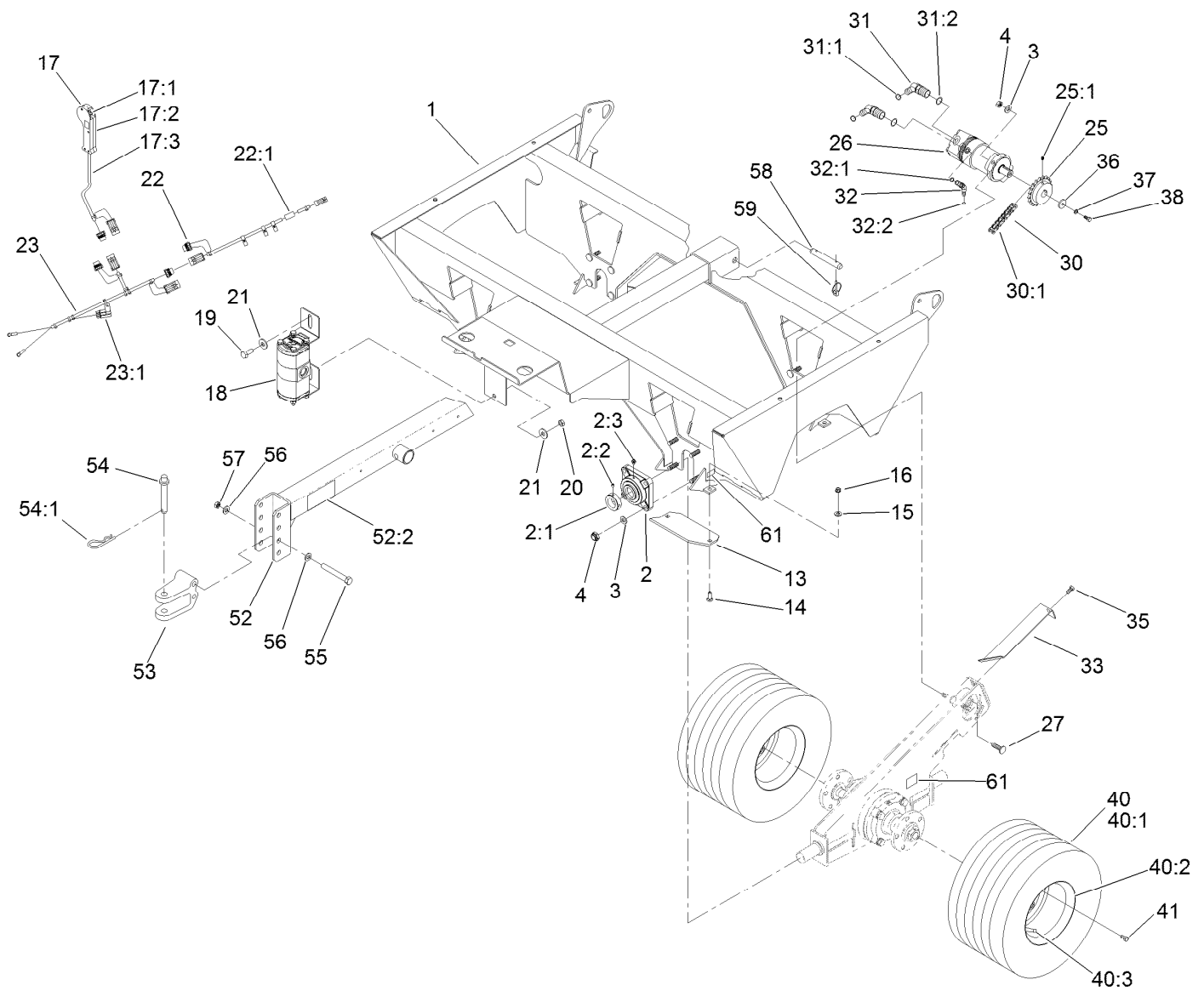
Contents

Cradle Assembly	4
Cradle and Trailer Assembly	5
Hydraulic Motor Assembly No. 100-1459	7
Hydraulic Manifold Assembly	8
Hydraulic Installation Assembly	9
Slider Bed and Roller Assembly	10
Gate Assembly	11
Brush and Motor Assembly	12
Hopper Assembly	14
Gate Slide and Brush Guard Assembly	15
Chain, Sprocket and Guard Assembly	16



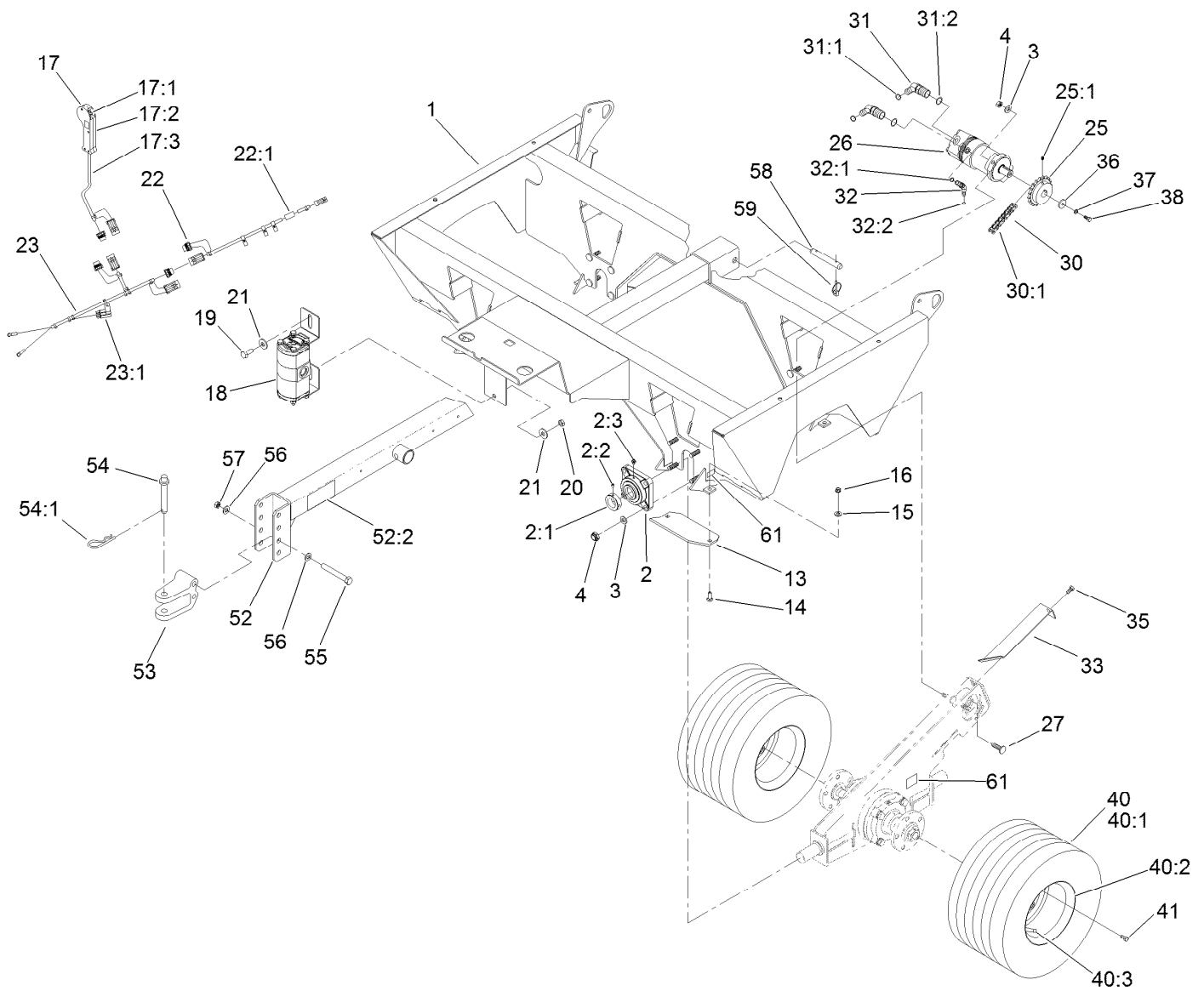
Cradle Assembly

<i>Ref.</i>	<i>Part Number</i>	<i>Qty.</i>	<i>Description</i>	<i>Ref.</i>	<i>Part Number</i>	<i>Qty.</i>	<i>Description</i>
1	100-1418-03	4	Hub	17	26-3790	4	Nut-Lock
2	3256-26	16	Washer-Flat	18	100-7690	2	Sprocket And Hub ASM
3	325-7	16	Screw-HH	18:1	100-7730	1	Bushing
4	3253-7	16	Washer-Lock	18:1:1	3253-18	3	Washer-Lock
5	100-1455	4	Bearing	18:1:2	32104-96	3	Screw-HH
5:1	99-0194	1	Collar-Locking	18:1:3	3245-9	1	Screw-Set, HSH
5:2	99-0195	1	Screw-Set, HSH	18:2	100-7731	1	Sprocket-Driven, 20 Tooth
5:3	302-2	1	Fitting-Grease	20	100-1490	2	Axle-Cradle
11	100-1488-03	2	Cradle				



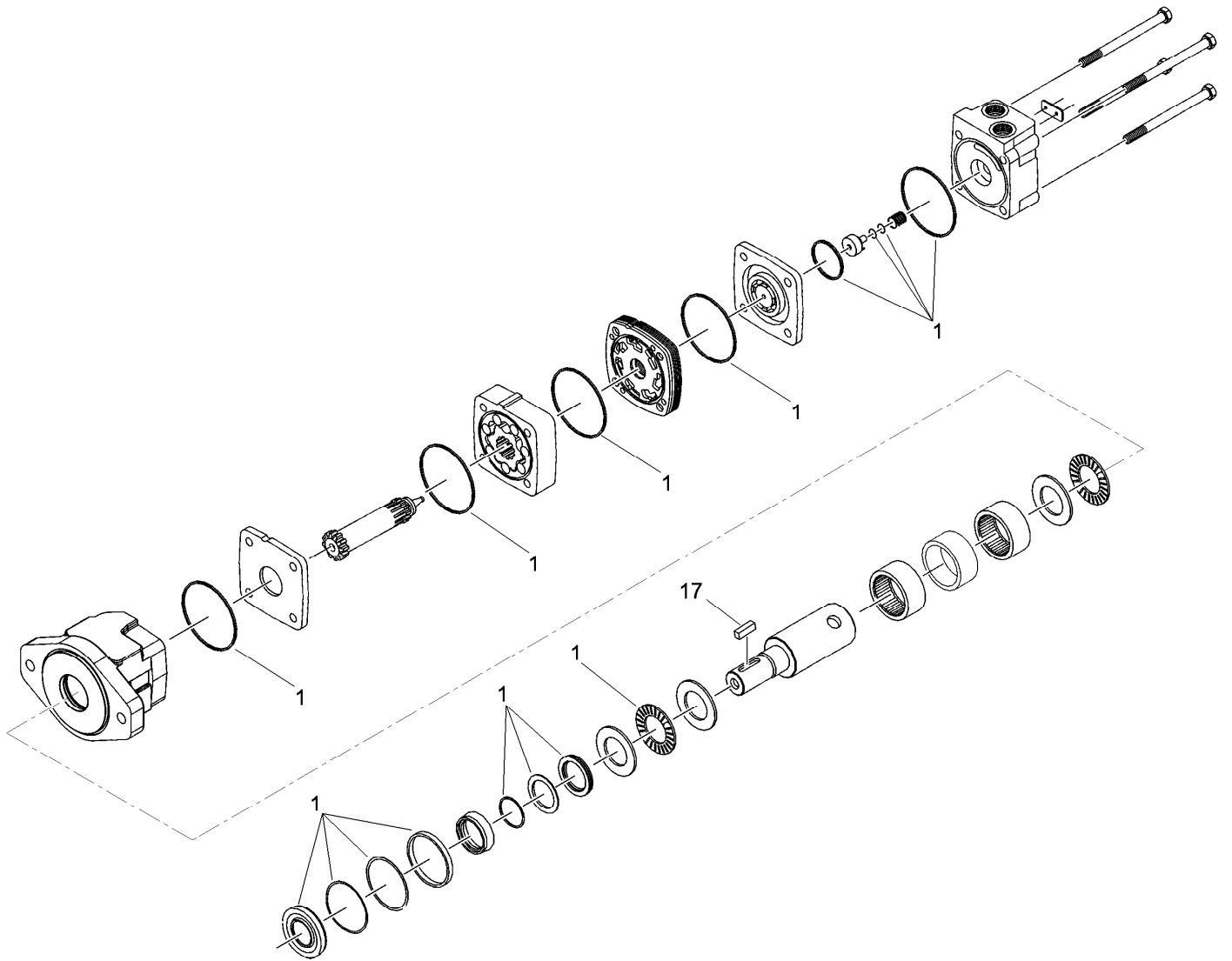
Cradle and Trailer Assembly

<i>Ref.</i>	<i>Part Number</i>	<i>Qty.</i>	<i>Description</i>	<i>Ref.</i>	<i>Part Number</i>	<i>Qty.</i>	<i>Description</i>
1	106-9671-01	1	Frame-Trailer	23	99-0198	1	Harness-Wire, Battery
2	100-1456	4	Bearing	23:1	110928	1	Fuse-Blade, 5 Amp
2:1	01-172-0090	1	Collar-Lock	25	100-7691	2	Sprocket-Chain, Roller
2:2	3246-16	1	Screw-Set	25:1	3246-3	2	Screw-HSH
2:3	302-2	1	Fitting-Grease	26	100-1459	2	Motor-HYD
3	3256-26	20	Washer-Flat	27	100-7698	2	Bolt-Carriage
4	3296-23	20	Nut-Lock, NI	30	100-1472	2	Chain-Cradle, Roller
13	100-7678-01	4	Plate-Skid	30:1	2710-16	1	Link-Chain
14	3231-25	8	Bolt-CARR	31	340-14	4	Fitting-HYD, 45 DEG
15	3256-25	8	Washer-Flat	31:1	237-65	1	O-Ring
16	3296-39	8	Nut-Lock, NI	31:2	237-80	1	O-Ring
17	106-9694	1	Handle-Control	32	340-103	2	Fitting-HYD, 45 DEG
17:1	106-9696	1	Switch-Rocker	32:1	237-78	1	O-Ring
17:2	106-9697	1	Handle	32:2	237-21	1	O-Ring
17:3	106-9695	1	Harness-Wire, Switch	33	100-1452-03	2	Cover-Cradle, Top
18	121-6441	1	Pump-Charge	35	3234-1	2	Screw-HHF
19	325-5	2	Screw-HH	36	71-5320	2	Washer-Support, Engine
20	3296-45	2	Nut-Hex	37	3253-4	2	Washer-Lock
21	3256-6	4	Washer-Flat	38	322-3	2	Screw-HH
22	99-0008	1	Harness-Wire, Trailer	40	106-9690	4	Tire And Wheel ASM
22:1	100-4918	1	Diode	40:1	106-9691	1	Tire-4-Ply



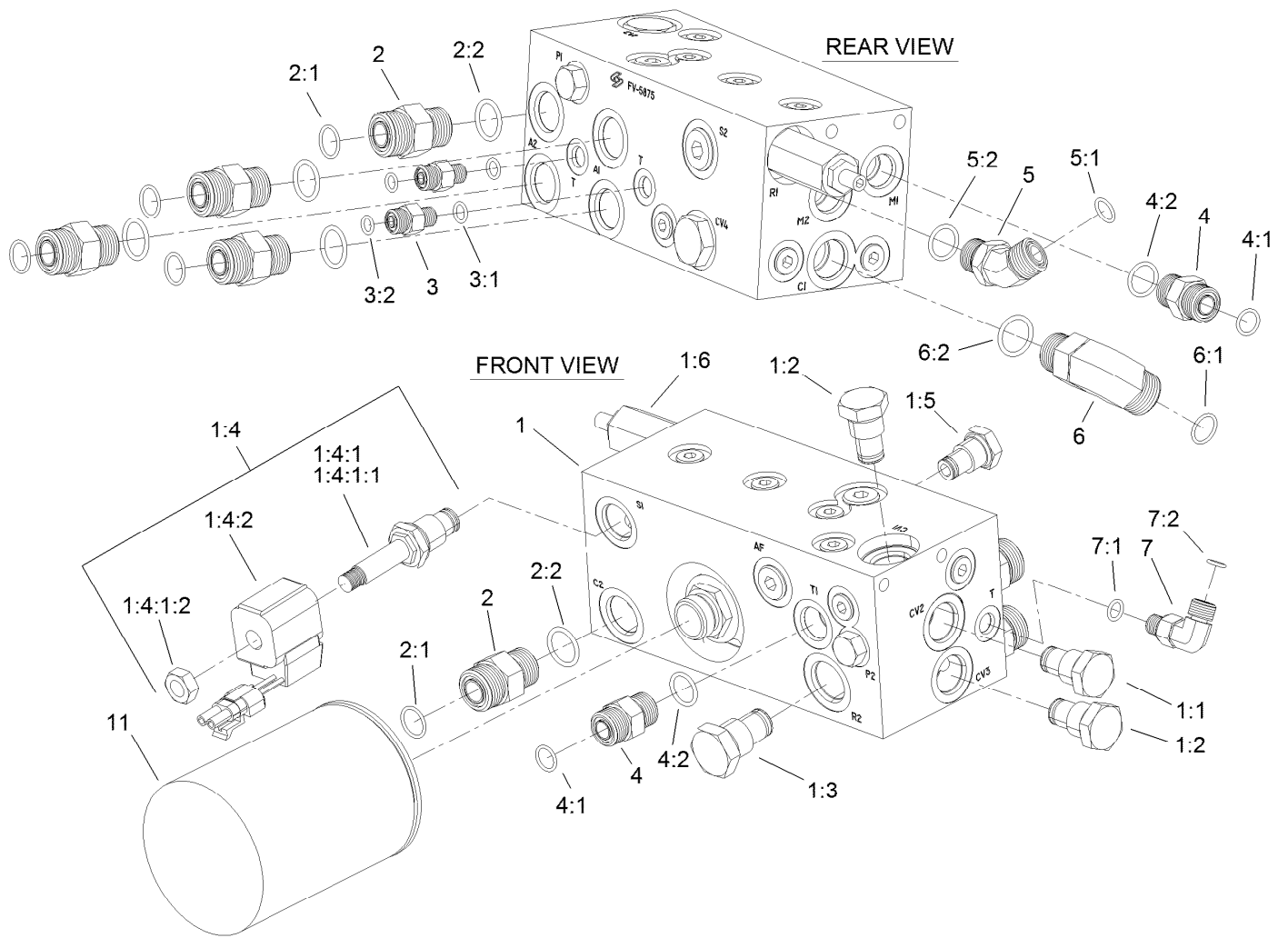
Cradle and Trailer Assembly (continued)

<i>Ref.</i>	<i>Part Number</i>	<i>Qty.</i>	<i>Description</i>	<i>Ref.</i>	<i>Part Number</i>	<i>Qty.</i>	<i>Description</i>
40:2	99-0174	1	Rim	54:1	3290-343	1	Pin-Hair
40:3	232-27	1	Stem-Valve	55	327-12	2	Screw-HH
41	71-4450	20	Bolt-Lug	56	3256-7	4	Washer-Flat
52	100-7686	1	Tongue ASM	57	3296-53	2	Nut-Lock, NI
52:2	100-7679	1	Decal-Warning	58	100-7694	2	Pin-Clevis
53	131-4381-01	1	Hitch-Clevis	59	92-1298	4	Pin-Lynch
54	13-6200	1	Pin-Hitch, Pointed	61	58-6520	8	Decal-Grease



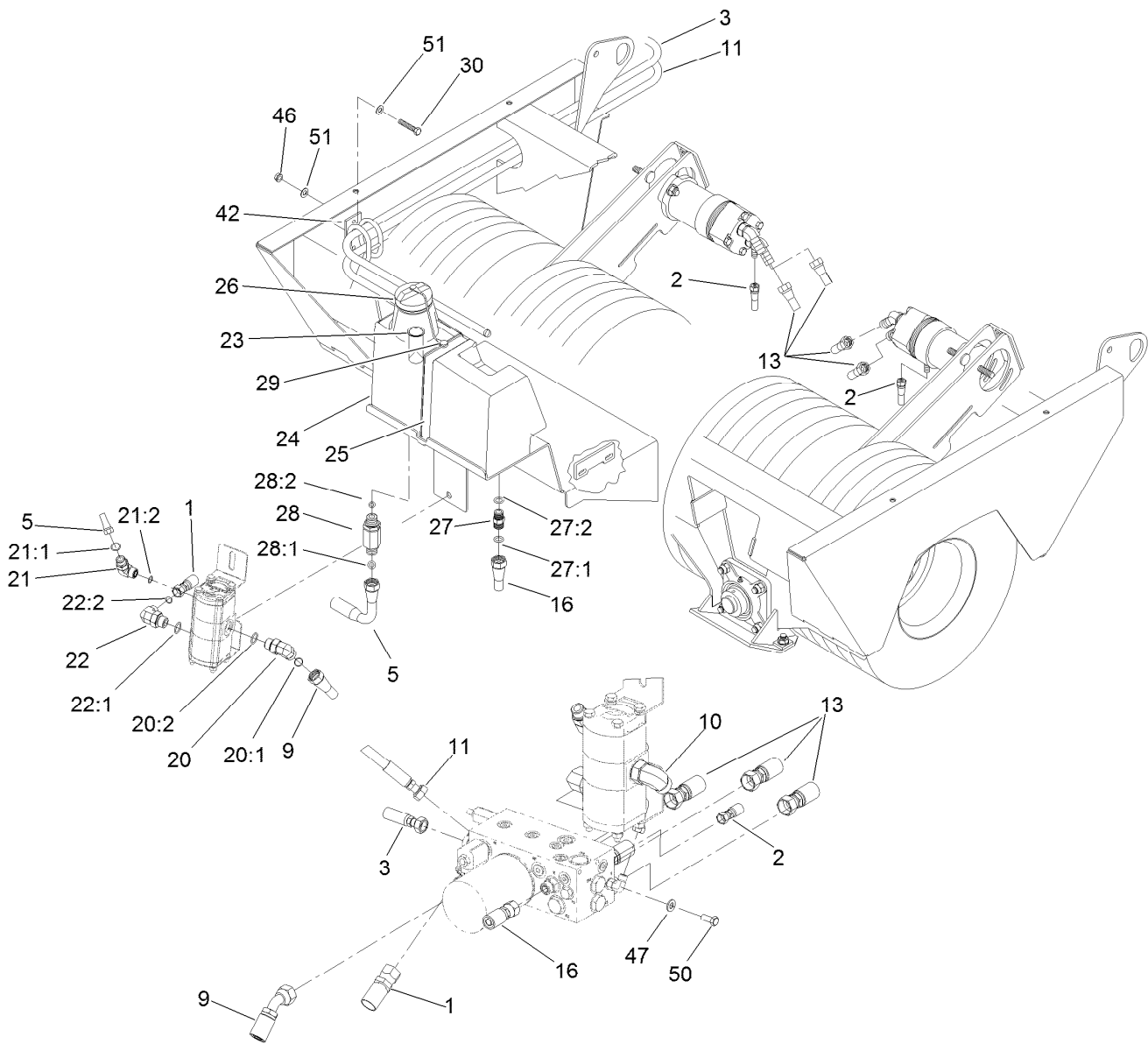
Hydraulic Motor Assembly No. 100-1459

<i>Ref.</i>	<i>Part Number</i>	<i>Qty.</i>	<i>Description</i>
1	100-1466	1	Seal Kit
17	5-7280	1	Key



Hydraulic Manifold Assembly

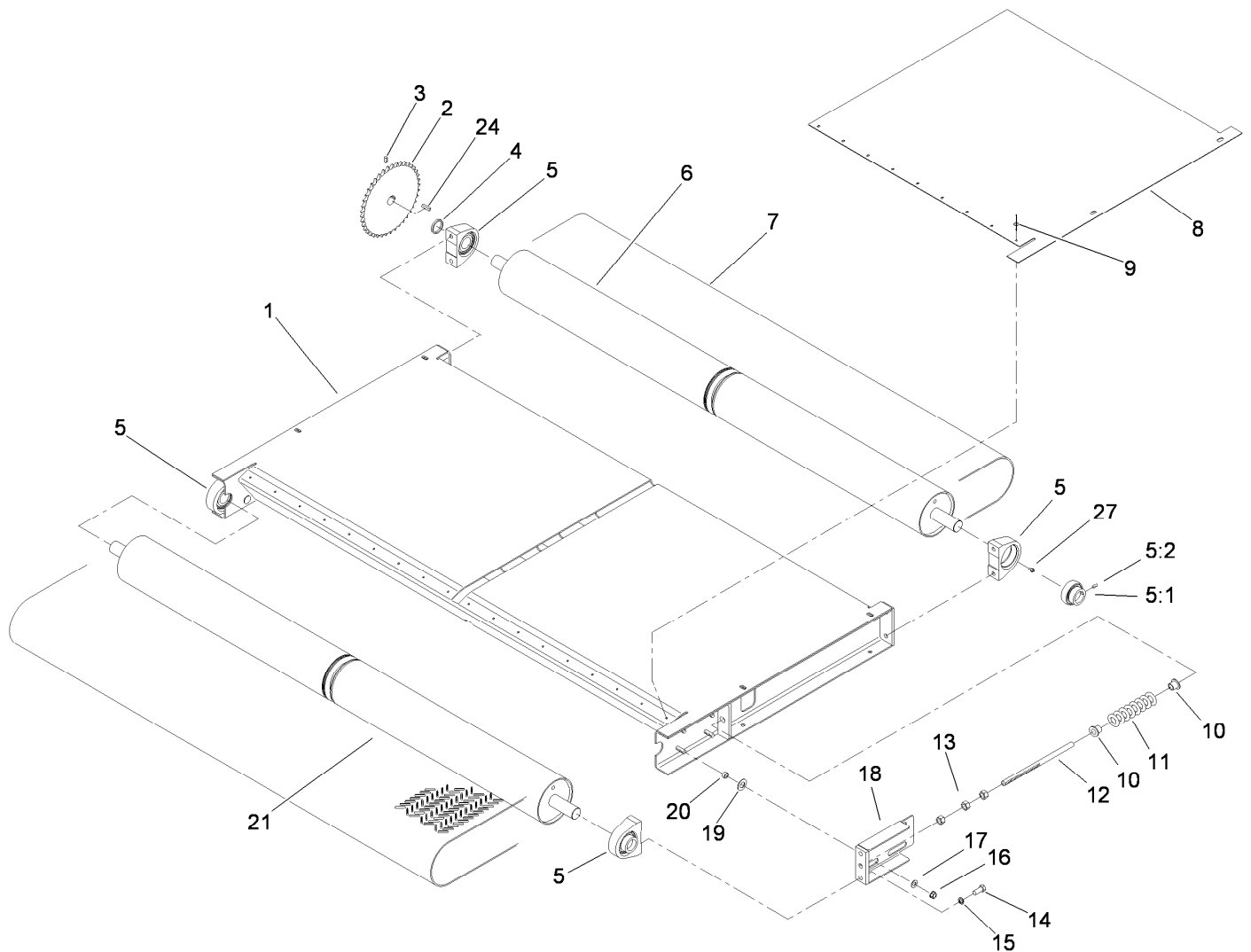
Ref.	Part Number	Qty.	Description	Ref.	Part Number	Qty.	Description
1	106-9667	1	HYD Manifold ASM	3:2	237-21	1	O-Ring
1:1	100-7723	1	Valve-Check	4	340-4	2	Fitting-Straight
1:2	106-9669	2	Valve-Check	4:1	237-30	1	O-Ring
1:3	106-9670	1	Valve-Check	4:2	237-79	1	O-Ring
1:4	100-7699	1	Solenoid Valve ASM	5	340-101	1	Fitting-HYD, 45 DEG
1:4:1	100-7718	1	Valve-Solenoid	5:1	237-30	1	O-Ring
1:4:1:1	95-1237	1	Seal Kit	5:2	237-79	1	O-Ring
1:4:1:2	121-6403	1	Nut-Solenoid Valve	6	340-17	1	Fitting-Elbow, 90 DEG
1:4:2	100-7720	1	Coil-Solenoid	6:1	237-65	1	O-Ring
1:5	106-9668	1	Valve-Check	6:2	237-80	1	O-Ring
1:6	100-7740	1	Valve-Relief	7	340-132	1	Fitting-Elbow, 90 DEG
2	340-7	5	Fitting-Straight	7:1	237-78	1	O-Ring
2:1	237-65	1	O-Ring	7:2	237-21	1	O-Ring
2:2	237-80	1	O-Ring	11	86-3010	1	Filter-Oil
3	340-92	2	Fitting-Straight				
3:1	237-78	1	O-Ring				



Hydraulic Installation Assembly

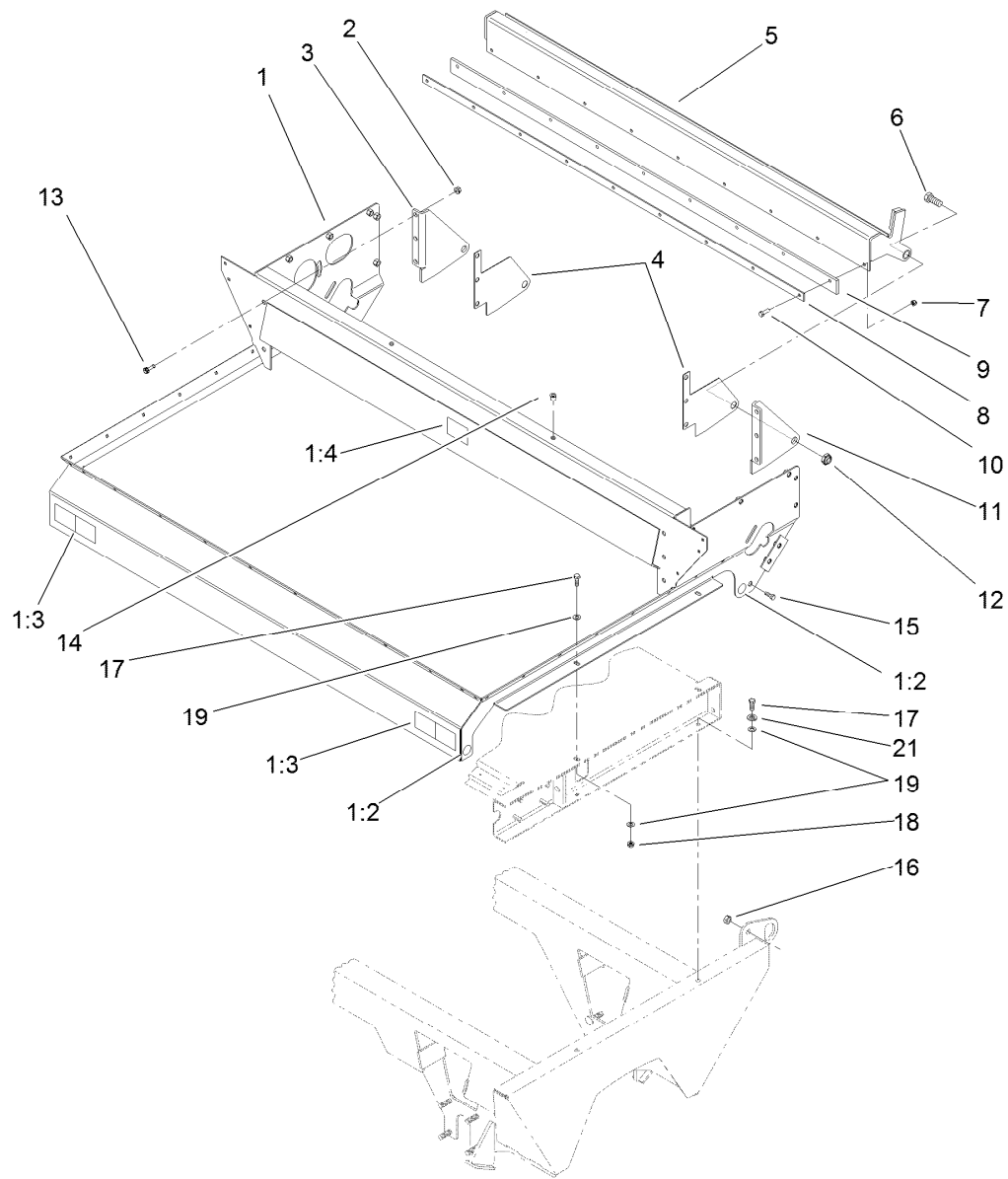
Ref.	Part Number	Qty.	Description	Ref.	Part Number	Qty.	Description
1	105-0639	1	HYD Hose ASM	24	133-5499	1	Tank-Hydraulic
2	106-9674	2	Hose-HYD	25	100-7693	1	Clamp, T-Bolt
3	104-0304	1	HYD Hose ASM	26	93-7160	1	Cap-Oil, HYD
5	100-7657	1	HYD Hose ASM	27	340-4	1	Fitting-Straight
9	106-9675	1	HYD Hose ASM	27:1	237-30	1	O-Ring
10	106-9677	1	HYD Hose ASM	27:2	237-79	1	O-Ring
11	104-0303	1	HYD Hose ASM	28	340-7	1	Fitting-Straight
13	106-9678	4	HYD Hose ASM	28:1	237-65	1	O-Ring
16	106-9676	1	HYD Hose ASM	28:2	237-80	1	O-Ring
20	340-142	1	Fitting-Elbow-90	29	32105-23	1	Screw
20:1	237-58	1	O-Ring	30	322-5	2	Screw-HH
20:2	237-81	1	O-Ring	42	99-5621	1	Guide-Hose
21	340-17	1	Fitting-Elbow, 90 DEG	46	3296-29	2	Nut-Lock, NI
21:1	237-65	1	O-Ring	47	3256-24	4	Washer-Flat
21:2	237-80	1	O-Ring	50	323-5	4	Screw-HH
22	340-139	1	Fitting-Elbow 90	51	3256-23	4	Washer-Plain
22:1	237-81	1	O-Ring	99	100-7674	1	Premium Bio-Degradable HYD Fluid Pail ●
22:2	237-65	1	O-Ring				
23	92-1705	1	Filter-Screen				

● Not illustrated



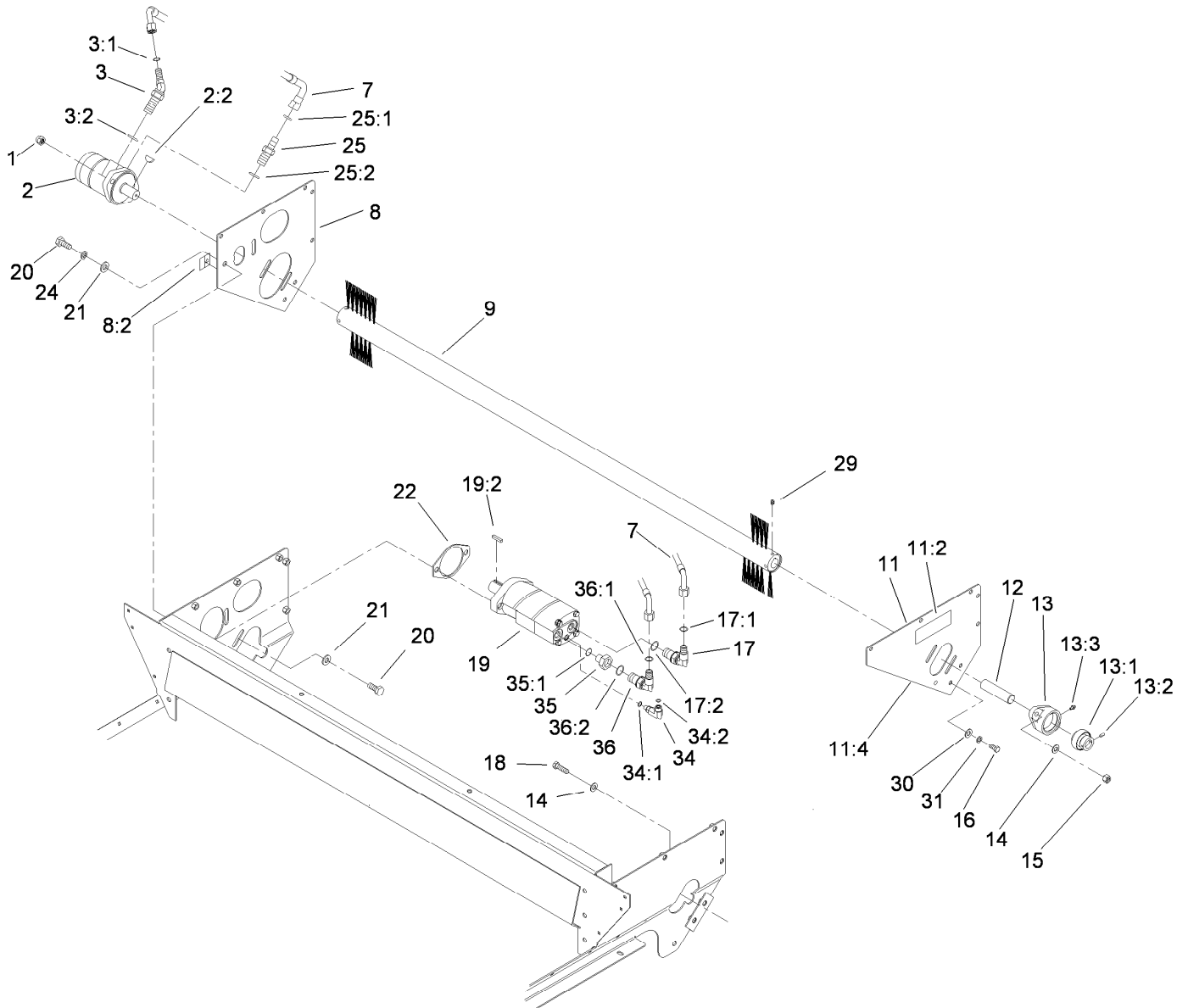
Slider Bed and Roller Assembly

Ref.	Part Number	Qty.	Description	Ref.	Part Number	Qty.	Description
1	99-0038-01	1	Frame-Bed, Slider	12	99-0118	2	Pin-Spring
2	99-0166-03	1	Sprocket-Driven	13	3217-9	6	Nut-HH
3	3246-3	2	Screw-HSH	14	100-1438	8	Screw-Socket Head, Torx
4	99-0017	1	Spacer-Sprocket	15	3253-6	8	Washer-Lock
5	99-0158	4	Bearing-Base, Tapped	16	3296-39	8	Nut-Lock, NI
5:1	251-246	1	Collar W/Set Screws	17	3256-4	8	Washer-Flat
5:2	106-9662	1	Screw-Set, HSH	18	99-0050-01	2	Spring Plate ASM
6	99-0046	1	Roller-Rear	19	99-0052	8	Washer-Slide
7	100-1425	1	Belt Kit	20	100-1401	8	Spacer-Slide, Spring
8	99-0047	2	Plate-Wear	21	99-0044	1	Roller-Front
9	3269-28	18	Rivet-Pop	24	10-7070	1	Key-Square
10	100-1414	4	Holder-Spring	27	302-60	4	Fitting-Grease
11	99-0163	2	Spring-Compression				



Gate Assembly

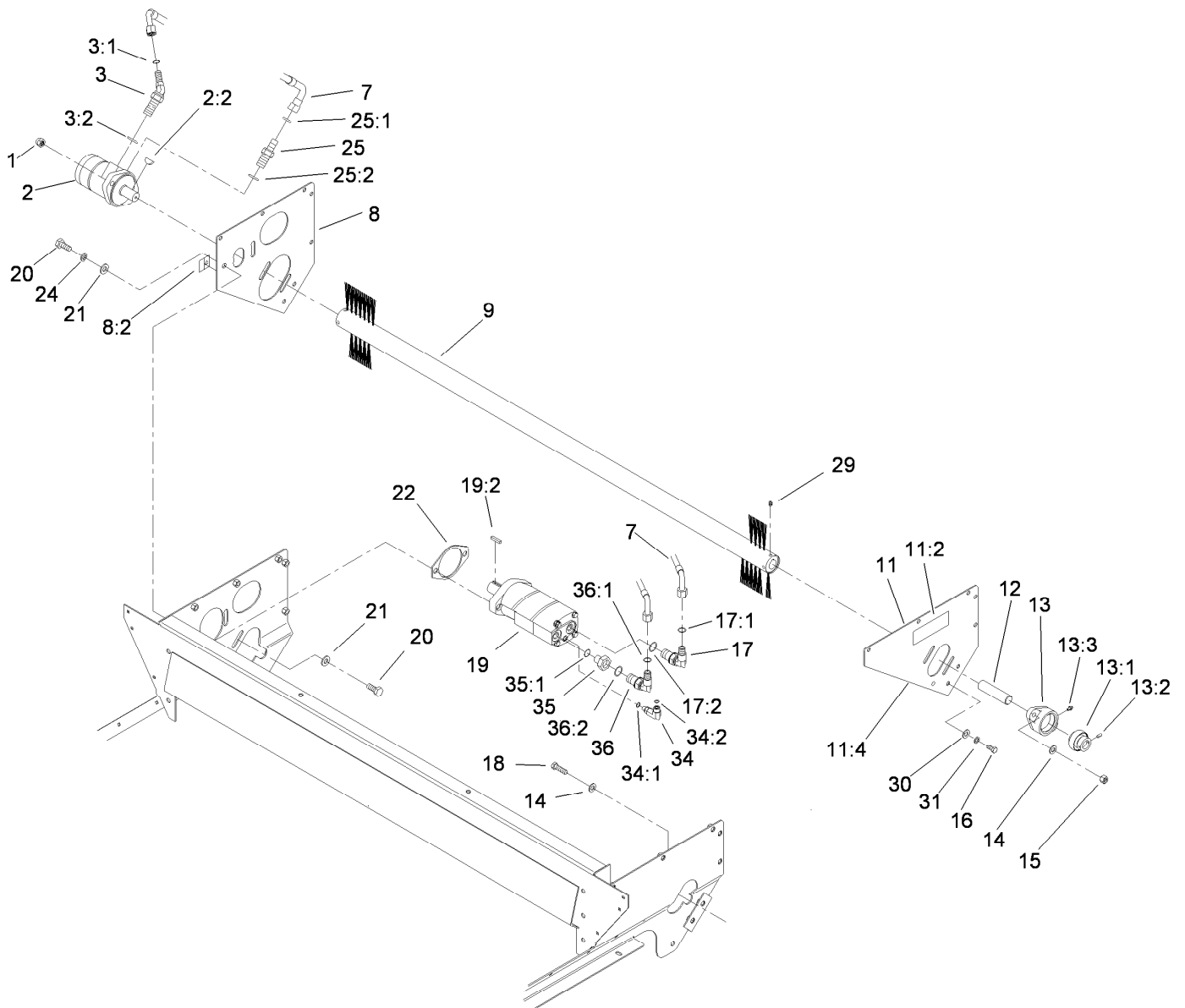
Ref.	Part Number	Qty.	Description	Ref.	Part Number	Qty.	Description
1	100-1435	1	Hopper Frame ASM	10	322-6	9	Screw-HH
1:2	58-6520	4	Decal-Grease	11	99-0078-01	1	Bracket-Gate Pivot, LH
1:3	93-9092	2	Decal-Warning	12	3296-51	2	Nut-Lock, NI
1:4	105-4586	1	Decal-Shield	13	324-4	6	Screw-HH
2	32128-37	6	Nut-HF	14	32148-9	2	Nut-Clinch
3	99-0079-01	1	Bracket-Gate Pivot, RH	15	3234-38	2	Screw-HHF
4	99-0117	2	Wareplate-Gate	16	99-5107	2	Nut-Lock
5	99-0068-01	1	Gate ASM	17	323-7	8	Screw-HH
6	328-24	2	Screw-HH	18	3296-39	4	Nut-Lock, NI
7	3296-29	9	Nut-Lock, NI	19	3256-24	12	Washer-Flat
8	99-0089-01	1	Plate-Backing	21	3253-21	4	Washer-Lock
9	99-0074	1	Seal-Gate				



Brush and Motor Assembly

Ref.	Part Number	Qty.	Description	Ref.	Part Number	Qty.	Description
1	3296-23	2	Nut-Lock, NI	13:3	302-2	1	Fitting-Grease
2	99-0156	1	HYD Motor ASM	14	3256-25	4	Washer-Flat
2:1	100-1446	1	Seal Kit ●	15	3296-48	2	Nut-Lock, NI
2:2	3257-8	1	Key-Woodruff	16	323-4	4	Screw-HH
3	340-89	1	Fitting-HYD, 45 DEG	17	340-105	1	Fitting-Elbow, 90 DEG
3:1	237-30	1	O-Ring	17:1	237-80	1	O-Ring
3:2	237-80	1	O-Ring	17:2	237-30	1	O-Ring
7	99-0177	1	Hose-HYD	18	324-6	2	Screw-HH
8	100-1431	1	RH Motor Brace ASM	19	99-0155	1	HYD Motor Conveyor ASM
8:2	105-4586	1	Decal-Shield	19:1	56-6890	1	Seal Kit ●
9	99-0162	1	Brush	19:2	10-7070	1	Key-Square
11	100-1430	1	LH Motor Brace ASM	20	325-7	4	Screw-HH
11:2	106-7750	1	Decal-Danger	21	3256-26	4	Washer-Flat
11:4	58-6520	1	Decal-Grease	22	99-0116	1	Plate-Spacer
12	99-0041	1	Shaft-Brush	24	3253-7	2	Washer-Lock
13	99-0160	1	Bearing	25	340-6	1	Fitting-Straight
13:1	251-249	1	Collar W/Set Screws	25:1	237-30	1	O-Ring
13:2	3245-35	1	Screw-Set, HSH	25:2	237-80	1	O-Ring

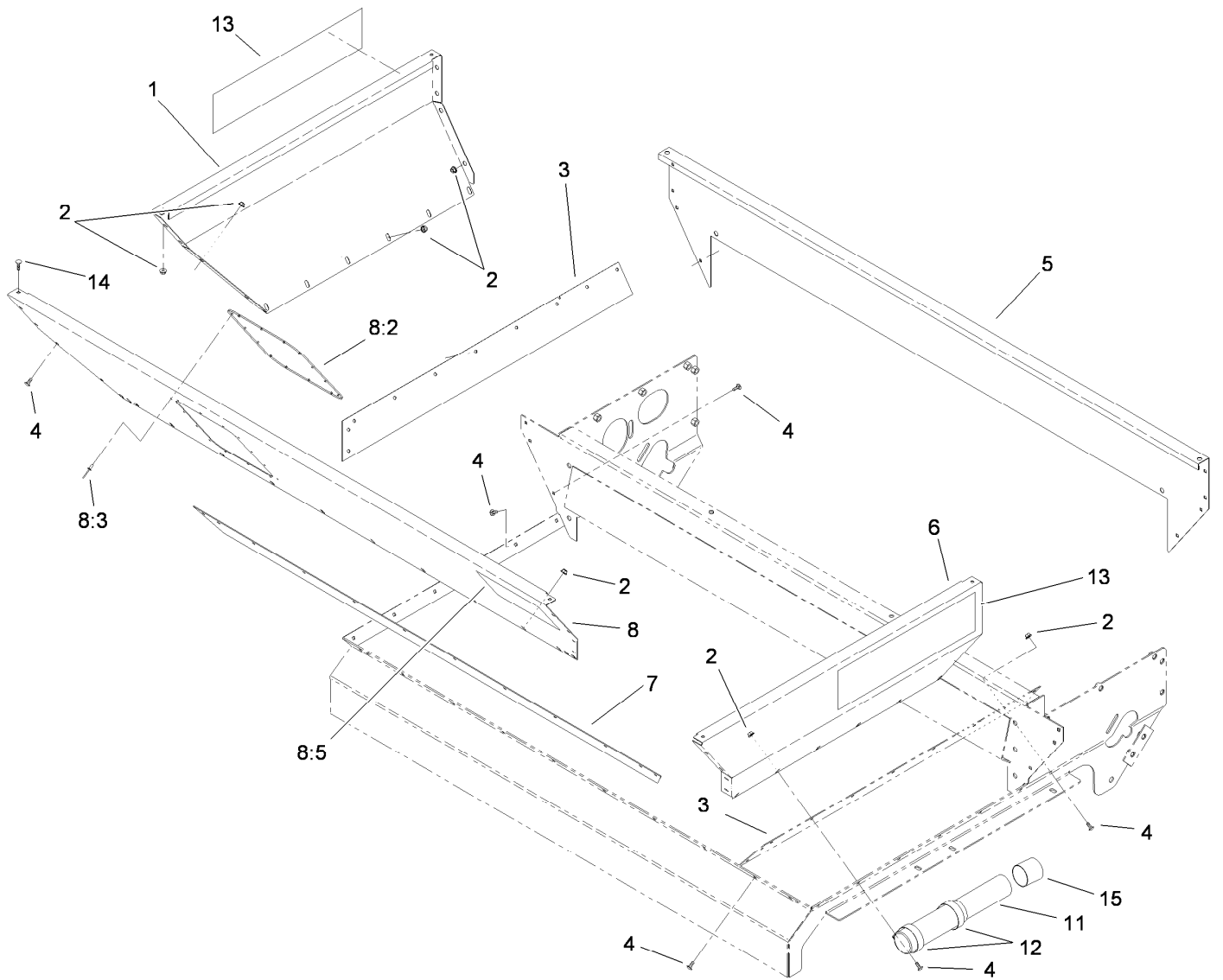
● Not illustrated



Brush and Motor Assembly (continued)

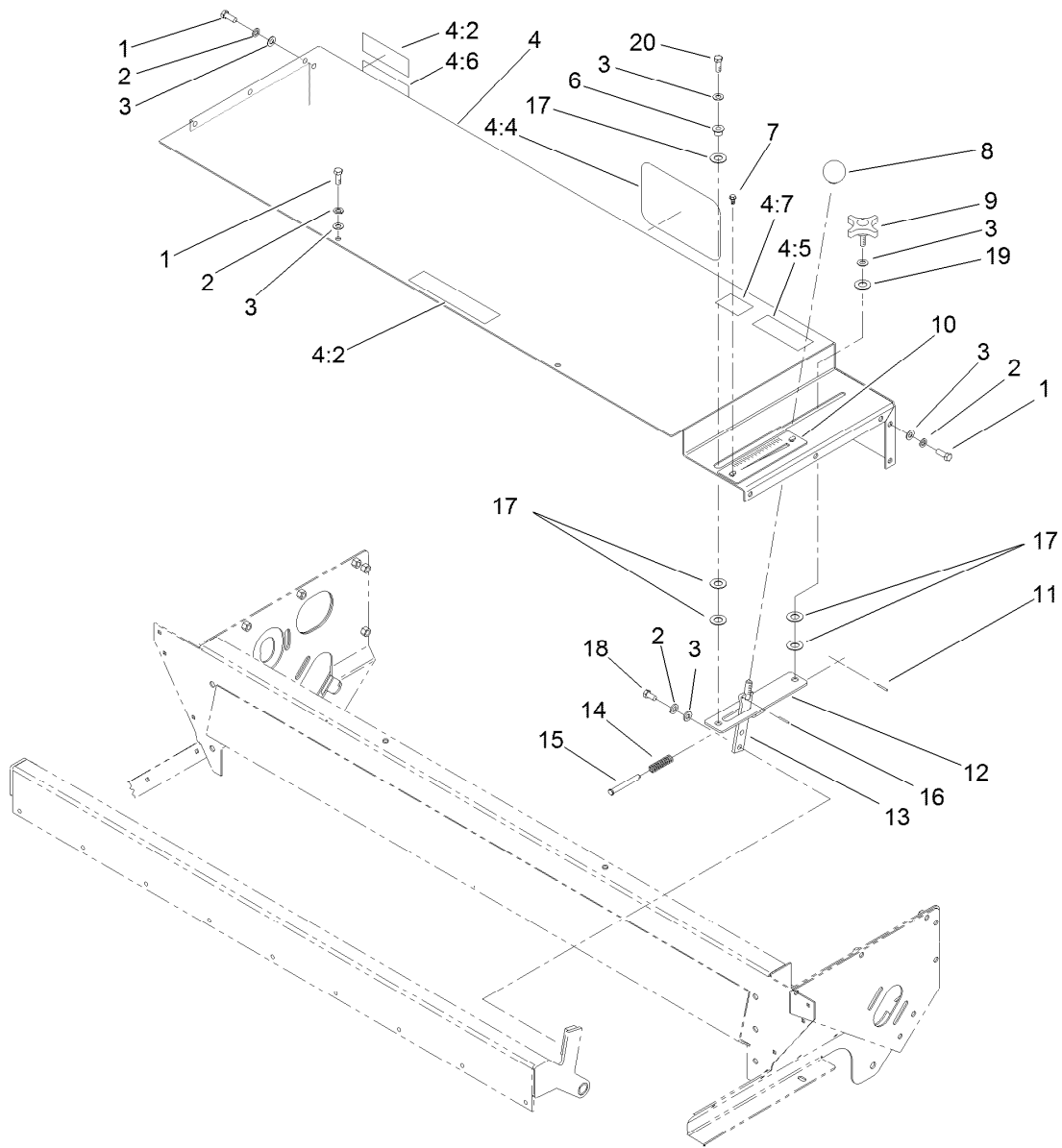
Ref.	Part Number	Qty.	Description	Ref.	Part Number	Qty.	Description
29	3246-3	4	Screw-HSH	35	100-4617	1	Adapter-HYD
30	3256-24	4	Washer-Flat	35:1	237-80	1	O-Ring
31	3253-21	4	Washer-Lock	36	99-6160	1	Fitting-Elbow 90 Long
34	100-7695	1	Fitting-Elbow 90	36:1	237-30	1	O-Ring
34:1	237-78	1	O-Ring	36:2	237-79	1	O-Ring
34:2	237-21	1	O-Ring	99	3290-379	6	Tie-Cable ●

● Not illustrated



Hopper Assembly

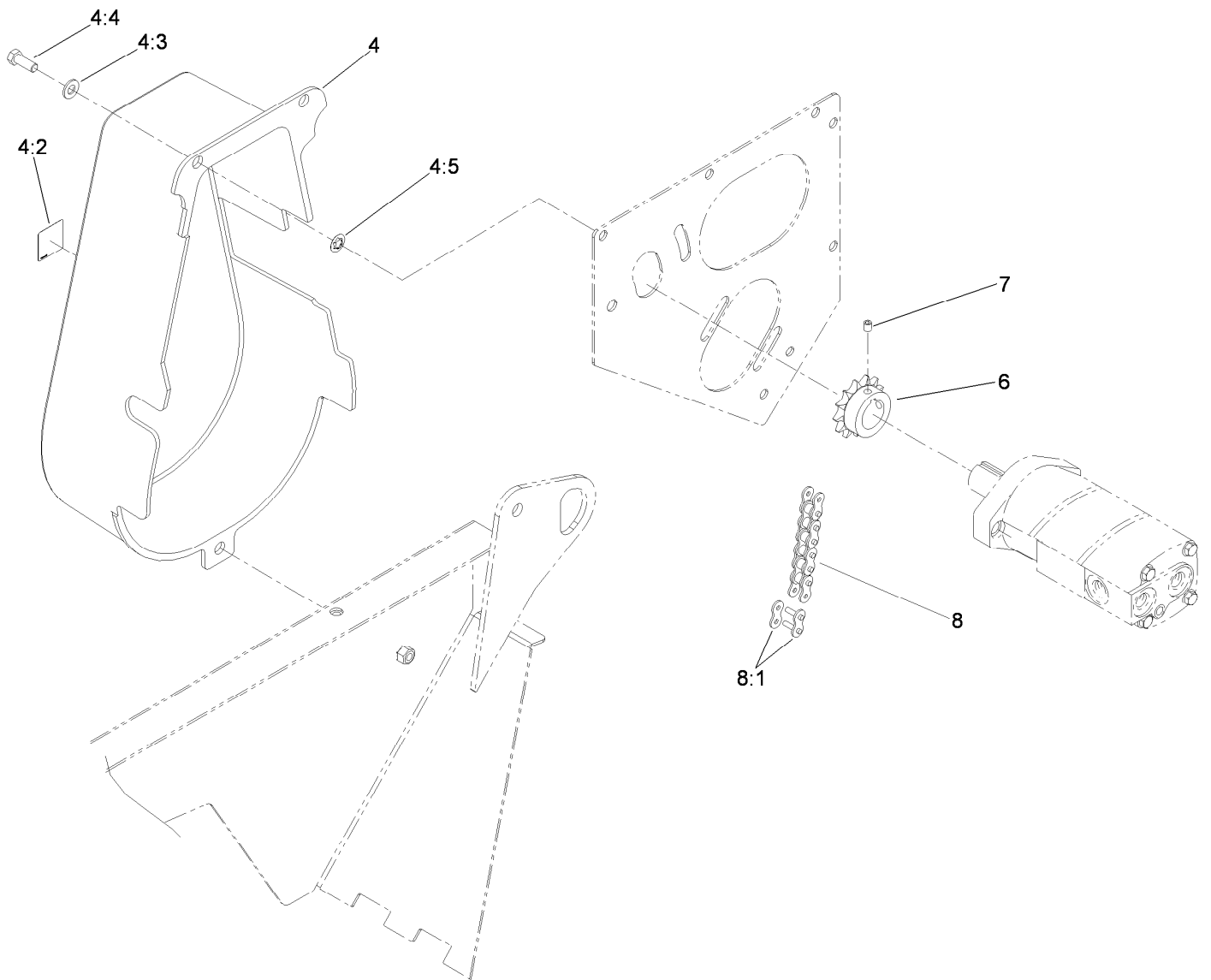
<i>Ref.</i>	<i>Part Number</i>	<i>Qty.</i>	<i>Description</i>	<i>Ref.</i>	<i>Part Number</i>	<i>Qty.</i>	<i>Description</i>
1	99-0123	1	Panel-Hopper, RH	8:2	99-0120	1	Hopper-Window
2	32128-33	48	Nut-HF	8:3	3269-28	14	Rivet-Pop
3	99-0142	2	Seal-Sand, Side	8:5	99-0016	1	Decal-Danger
4	3229-25	44	Screw-CARR	11	104-7050	1	Tube-Manual
5	99-0121	1	Panel-Hopper, Back	12	2412-133	2	Clamp-R
6	99-0124	1	Panel-Hopper, LH	13	99-0012	2	Decal
7	99-0143	1	Seal-Sand, Front	14	321-4	4	Screw-HH
8	100-1465	1	Front Hopper Panel ASM	15	104-7048	1	Cap-Housing



Gate Slide and Brush Guard Assembly

Ref.	Part Number	Qty.	Description
1	323-7	10	Screw-HH
2	3253-21	12	Washer-Lock
3	3256-24	14	Washer-Flat
4	100-1432	1	Brush Guard ASM
4:2	106-7750	2	Decal-Danger
4:4	92-1242	1	Decal
4:5	105-0707	1	Decal-Warning
4:6	105-0708	1	Decal-Danger
4:7	98-3114	1	Decal-Warning
6	256-259	1	Bushing-Flange
7	93-6083	2	Screw-HWH
8	233-48	1	Knob

Ref.	Part Number	Qty.	Description
9	100-1449	1	Knob
10	100-1416	1	Scale-Gate
11	32121-45	1	Pin-Spring
12	99-0073-03	1	Slide Block Plate ASM
13	100-1406-03	1	Gate Handle ASM
14	100-1448	1	Spring-Gate
15	100-1413	1	Pin-Clevis
16	32121-40	1	Pin-Spring
17	99-0052	5	Washer-Slide
18	323-4	2	Screw-HH
19	95-4896	1	Washer-Nylon
20	3274-63	1	Screw-HSBH



Chain, Sprocket and Guard Assembly

<i>Ref.</i>	<i>Part Number</i>	<i>Qty.</i>	<i>Description</i>
4	119-2860	1	Chain Guard ASM
4:2	98-3114	1	Decal-Warning
4:3	3256-24	3	Washer-Flat
4:4	323-7	3	Screw-HH
4:5	107-3154	3	Nut-Push
6	99-0165-03	1	Sprocket-Drive
7	3246-3	2	Screw-HSH
8	99-0164	1	Chain-Roller
8:1	2710-16	1	Link-Chain

Notes:

Notes:

Notes:



Count on it.