



PART NO. 99-8164

INSTALLATION
INSTRUCTIONS

FRONT SHIELD KIT GREENSMASTER® 3200 CUTTING UNITS



CAUTION

Before servicing or making adjustments to the machine, stop engine and remove key from the switch.

1. Unsnap and remove front grass shield from front roll pins and shield rod (Fig. 1). Discard shield.
2. Remove front roll pins from cutting unit side plates.

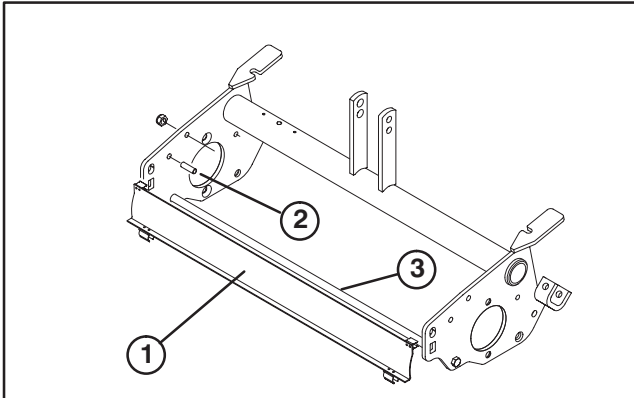


Figure 1

1. Front grass shield
2. Front roll pin
3. Shield rod

3. Install (2) shoulder bolts to cutting unit side plates with (2) lock nuts and washers (Fig. 2). These shoulder bolts replace front grass shield roll pins.
4. Snap new front grass shield onto shield rod and new shoulder bolts (Fig. 2).

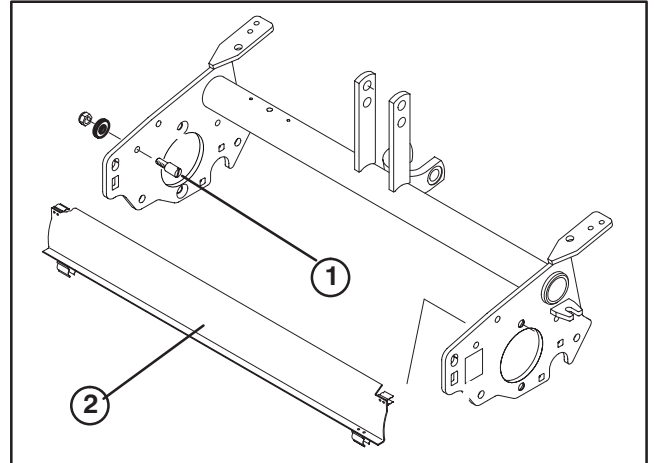


Figure 2

1. Shoulder bolt
2. Front grass shield