



Count on it.

Parts Catalog

**48in Blower and Drive Kit
Grandstand® Mower**

Model No. 78525—Serial No. 400000000 and Up



Ordering Replacement Parts

To order replacement parts, please supply the part number, the quantity, and the description of each part desired.

Understanding Reference Numbers

Each identified part in an illustration has a reference number. The reference number for a part also appears in the parts list, along with other information about the part.

This catalog uses two special reference number formats, one to indicate parts in a service assembly and another to indicate the quantity of a given part in an illustration.

Service Assembly Reference Numbers

Parts in service assemblies have reference numbers in the form a:b. The a represents the reference number of the entire service assembly and the b represents a sequential number unique to each part within the service assembly.

For example, a wheel assembly might be identified by reference number 6, the tire by 6:1, the valve by 6:2, and the wheel by 6:3. When you order the assembly identified by reference number 6, you receive all parts identified by reference numbers 6:1, 6:2, and 6:3. However, you may also order any part individually. Reference numbers of this type appear in illustration and in parts lists.

Reference Numbers Indicating Quantity

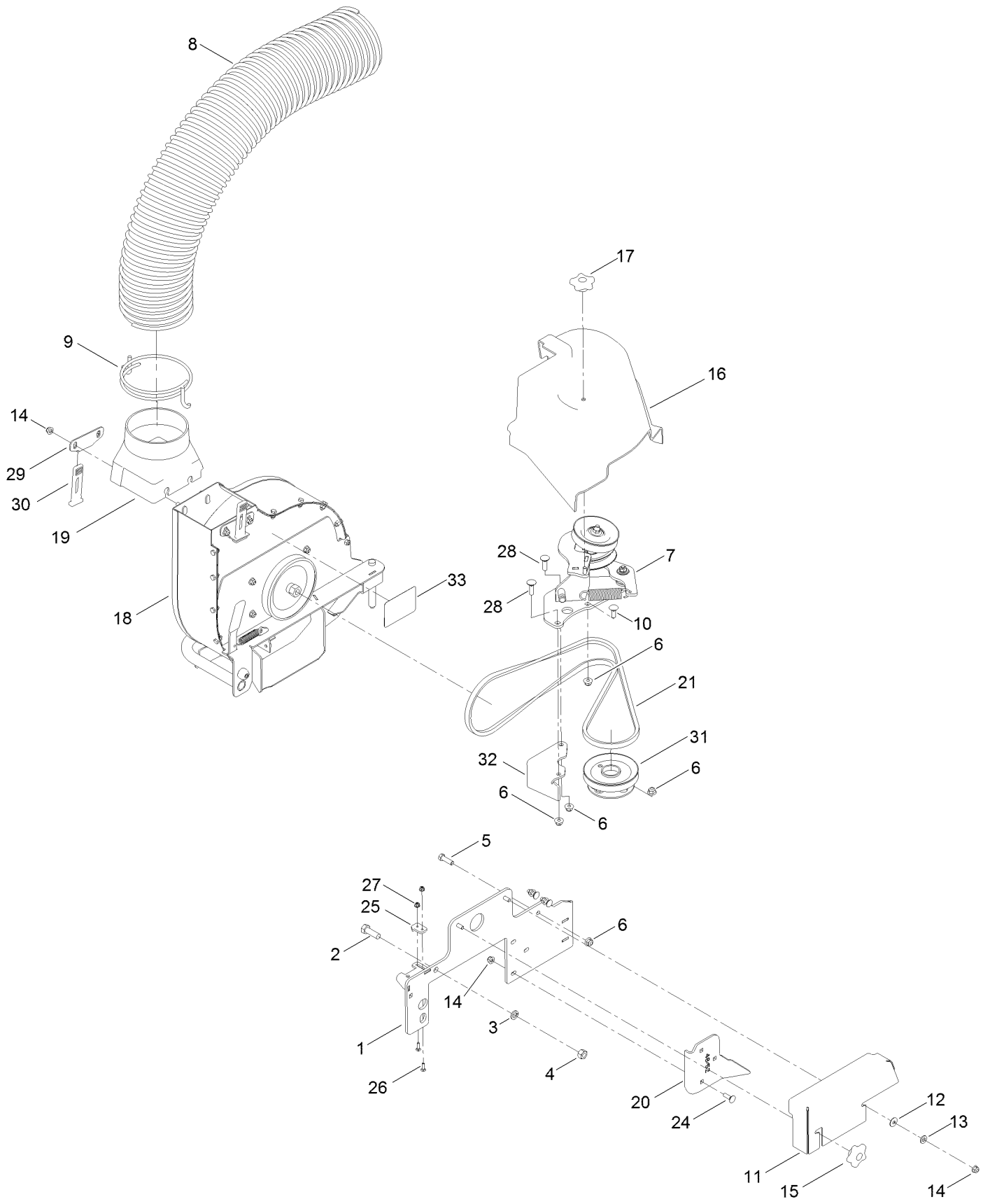
In an illustration, if a reference number indicates more than one part, the reference number has the form nX y. The n represents the quantity of the part, the X is the multiplication symbol, and the y represents the reference number.

For example, in an illustration, the reference number 2X 37 means that two of the parts identified by reference number 37 are indicated.

Contents

Blower Drive Assembly 4
Blower Assembly No. 136-0570 6
Idler Assembly No. 136-0590 8

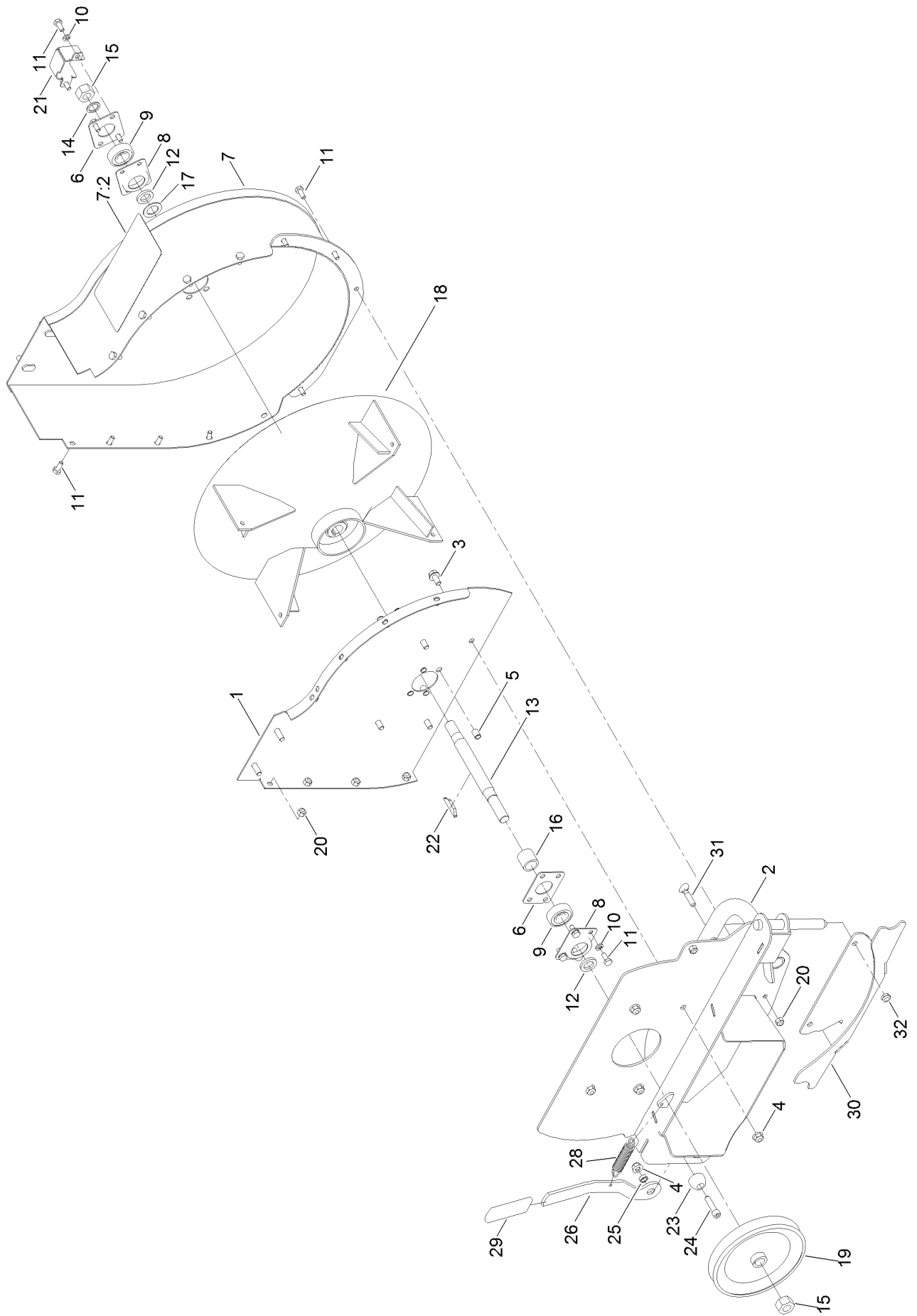
Blower Drive Assembly



Blower Drive Assembly (continued)

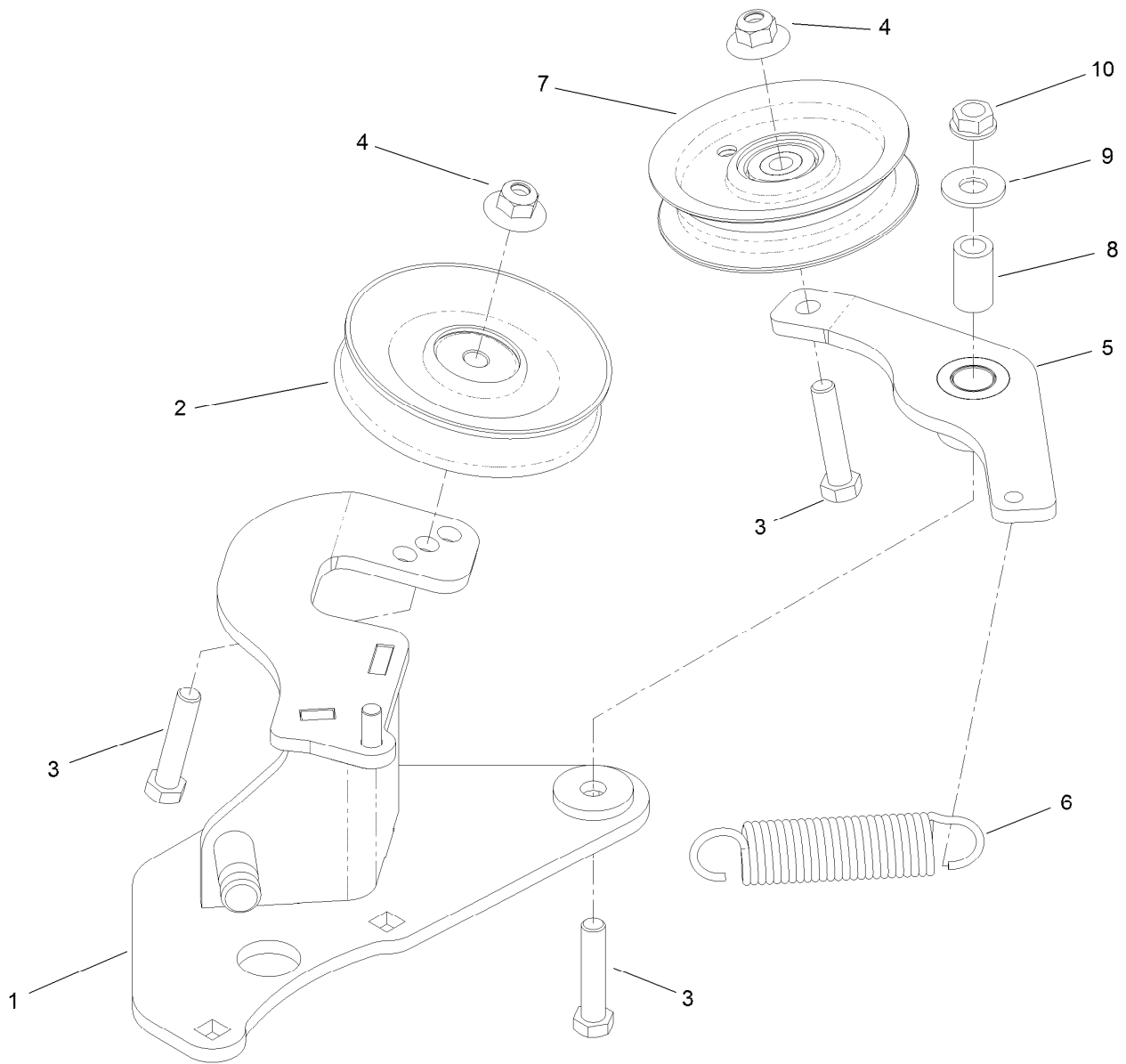
<i>Ref.</i>	<i>Part Number</i>	<i>Qty.</i>	<i>Description</i>	<i>Ref.</i>	<i>Part Number</i>	<i>Qty.</i>	<i>Description</i>
1	139-1545-03	1	Blower Deck Mount ASM	17	106-4161	1	Knob-Handle
2	325-6	1	Screw-HH	18	136-0570	1	Blower ASM
3	3253-7	1	Washer-Lock	19	137-6425	1	Transition
4	3217-9	1	Nut-HH	20	136-4081-03	1	Baffle
5	323-7	1	Screw-HH	21	139-7872	1	Belt-V
6	104-8301	4	Nut-HF, NI	24	3230-2	3	Bolt-CARR
7	136-0590	1	Idler ASM	25	136-4118	1	Plate-Latch
8	138-5879	1	Hose-Flexible	26	3229-20	2	Screw-CARR
9	139-1466	1	Clamp-Hose, Bagger	27	120-4578	2	Nut-HF
10	3231-2	1	Bolt-CARR	28	3231-25	2	Bolt-CARR
11	133-8735-03	1	Guard-Belt	29	138-5887-03	2	Plate
12	3290-456	1	Washer-Belleville	30	131-8402	2	Strap-Down, Hold
13	62-1230	1	Washer-Rubber	31	112-8670	1	Blower Pulley ASM
14	104-8300	8	Nut-HF, NI	32	138-8870-01	1	Baffle-Bagger, 48"
15	117-5976	1	Knob-Handle	33	138-8866	1	Decal-Routing, Belt
16	136-0588	1	Cover-Belt				

Blower Assembly No. 136-0570



Blower Assembly No. 136-0570 (continued)

<i>Ref.</i>	<i>Part Number</i>	<i>Qty.</i>	<i>Description</i>	<i>Ref.</i>	<i>Part Number</i>	<i>Qty.</i>	<i>Description</i>
1	133-8665-03	1	Mounting Plate ASM	16	7989	1	Spacer
2	136-0573-03	1	Blower Pivot ASM	17	1535	1	Washer-Thrust
3	3234-14	4	Screw-HHF	18	56-4780-03	1	Impeller ASM
4	104-8300	5	Nut-HF, NI	19	92-0874	1	Pulley-Transaxle
5	32117-2	8	Nut-Clinch	20	3296-42	12	Nut-Lock, NI
6	63-9700-03	2	Plate-Cover	21	106-3076-03	1	Cover-Shaft
7	136-0578	1	Blower Housing Outer ASM	22	3257-40	1	Key
7:2	136-4087	1	Decal-Warning	23	136-4135	1	Pin-Guide
8	37-6730	2	Cup-Bearing	24	3274-18	1	Screw-HSH
9	38-7820	2	Bearing-Ball	25	99-2018	1	Spacer-Arm, Idler
10	3253-3	8	Washer-Lock	26	136-4116	1	Handle
11	321-3	20	Screw-HH	28	104-6415	1	Spring-Return, Pedal
12	63-9710	2	Spacer-Bearing	29	47-1970	1	Grip
13	105-5893	1	Shaft-Blower	30	136-4097-03	1	Plate-Skid
14	9202154	1	Washer-Flat	31	92-4095	2	Screw-Handle
15	3217-11	2	Nut-Hex	32	3296-47	2	Nut-Lock, NI



Idler Assembly No. 136-0590

Ref.	Part Number	Qty.	Description
1	136-0581-03	1	Idler Bracket ASM
2	92-7099	1	Pulley-Idler
3	323-9	3	Screw-HH
4	109-6658	2	Nut-Flange, NI
5	136-0554	1	Idler ASM
6	115-4712	1	Spring-Extension
7	92-7084	1	Pulley-Idler, Flat
8	103-0130	1	Bushing-Pivot, Idler
9	3256-4	1	Washer-Flat
10	3290-357	1	Nut-HHF, Whiz

Notes:

Notes:

Notes:



Count on it.