



Count on it.

Operator's Manual

**Z Master[®] Commercial 2000
Series Riding Mower**

**with 48in, 52in, or 60in TURBO FORCE[®] Side
Discharge Mower**

Model No. 74141—Serial No. 316000001 and Up

Model No. 74143—Serial No. 316000001 and Up

Model No. 74145—Serial No. 316000001 and Up



G010244



WARNING

CALIFORNIA Proposition 65 Warning

This product contains a chemical or chemicals known to the State of California to cause cancer, birth defects, or other reproductive harm.

The engine exhaust from this product contains chemicals known to the State of California to cause cancer, birth defects, or other reproductive harm.

This spark ignition system complies with Canadian ICES-002

Because in some areas there are local, state, or federal regulations requiring that a spark arrester be used on the engine of this machine, a spark arrester is available as an option. If you require a spark arrester, contact your Authorized Toro Dealer.

Genuine Toro spark arresters are approved by the USDA Forestry Service.

Note: It is a violation of California Public Resource Code Section 4442 to use or operate the engine on any forest-covered, brush-covered, or grass-covered land without a spark arrester muffler maintained in working order, or the engine constricted, equipped, and maintained for the prevention of fire. Other states or federal areas may have similar laws.

⚠ WARNING

Removing standard original equipment parts and accessories may alter the warranty, traction, and safety of the machine. Failure to use original Toro parts could cause serious injury or death. Making unauthorized changes to the engine, fuel or venting system, may violate EPA and CARB regulations.

Replace all parts including, but not limited to, tires, belts, blades, and fuel system components with original Toro parts.

The enclosed Engine Owner's Manual is supplied for information regarding the US Environmental Protection Agency (EPA) and the California Emission Control Regulation of emission systems, maintenance, and warranty. Replacements may be ordered through the engine manufacturer.

Introduction

This rotary-blade, riding lawn mower is intended to be used by residential homeowners or professional, hired operators. It is designed primarily for cutting grass on well-maintained lawns on residential or commercial properties. It is not designed for cutting brush or for agricultural uses.

Read this information carefully to learn how to operate and maintain your product properly and to avoid injury and product damage. You are responsible for operating the product properly and safely.

You may contact Toro directly at www.Toro.com for product safety and operation training materials, accessory information, help finding a dealer, or to register your product.

Whenever you need service, genuine Toro parts, or additional information, contact an Authorized Service Dealer or Toro Customer Service and have the model and serial numbers of your product ready. [Figure 1](#) identifies the location of the model and serial numbers on the product. Write the numbers in the space provided.

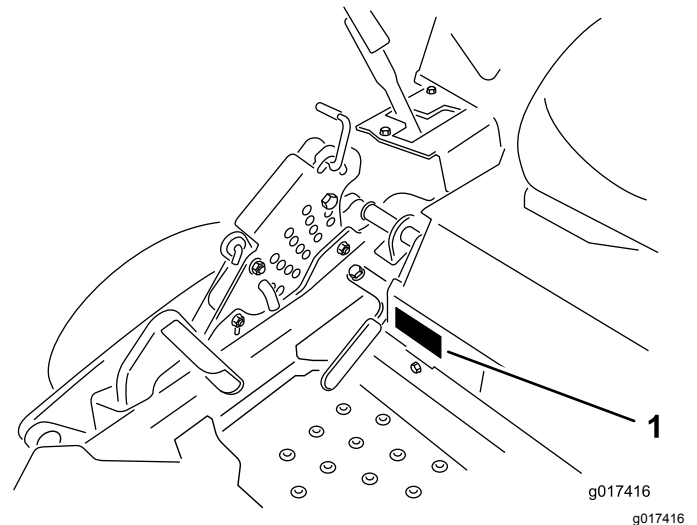


Figure 1

1. Model and serial number location

Model No. _____

Serial No. _____

This manual identifies potential hazards and has safety messages identified by the safety-alert symbol ([Figure 2](#)), which signals a hazard that may cause serious injury or death if you do not follow the recommended precautions.



Figure 2

g000502

1. Safety-alert symbol

This manual uses 2 words to highlight information. **Important** calls attention to special mechanical information and **Note** emphasizes general information worthy of special attention.

Contents

Safety	4
Safe Operating Practices	4
Toro Mower Safety	5
Slope Indicator	8
Safety and Instructional Decals	9
Product Overview	14
Controls	14
Specifications	15
Operation	16
Adding Fuel	16
Checking the Engine-Oil Level	17
Breaking in a New Machine	17
Using the Rollover-Protection System (ROPS)	17
Think Safety First	18
Operating the Parking Brake	19
Operating the Mower Blade-Control Switch (PTO)	19
Operating the Throttle	20
Operating the Choke	20
Operating the Ignition Switch	20
Using the Fuel-Shutoff Valve	21
Starting and Stopping the Engine	21
Using the Safety-Interlock System	22
Driving Forward or Backward	23
Stopping the Machine	24
Adjusting the Height-of-Cut	24
Adjusting the Anti-Scalp Rollers	27
Positioning the Seat	28
Using the Drive-Wheel-Release Valves	28
Using the Side Discharge	29
Transporting the Machine	30
Loading the Machine	30
Operating Tips	32
Maintenance	33
Recommended Maintenance Schedule(s)	33
Lubrication	34
Adding Light Oil or Spraying Lubrication	34
Greasing the Mower	34
Lubricating the Caster-Wheel Hubs	35
Engine Maintenance	36
Servicing the Air Cleaner	36

Servicing the Engine Oil	37
Servicing the Spark Plug	40
Checking the Spark Arrester	41
Fuel System Maintenance	41
Replacing the Fuel Filter	41
Servicing the Fuel Tank	42
Electrical System Maintenance	42
Servicing the Battery	42
Servicing the Fuses	44
Drive System Maintenance	44
Checking the Seat Belt	44
Checking the Rollover-Protection-System (ROPS) Knobs	44
Adjusting the Tracking	45
Checking the Tire Pressure	46
Checking the Wheel Lug Nuts	46
Adjusting the Caster-Pivot Bearing	46
Adjusting the Electric Clutch	47
Cooling System Maintenance	47
Cleaning the Engine Screen	47
Cleaning the Engine Cooling Fins and Shrouds	47
Belt Maintenance	49
Inspecting the Belts	49
Replacing the Mower Belt	49
Replacing the Hydraulic Pump-Drive Belt	50
Controls System Maintenance	51
Adjusting the Control-Handle Position	51
Adjusting the Motion-Control Linkage	51
Adjusting the Motion-Control Damper	53
Adjusting the Motion-Control Neutral-Lock Pivot	54
Hydraulic System Maintenance	54
Servicing the Hydraulic System	54
Changing the Hydraulic-System Filter and Oil	55
Mower Deck Maintenance	58
Leveling the Mower Deck	58
Servicing the Cutting Blades	60
Removing the Mower Deck	62
Replacing the Grass Deflector	63
Cleaning	64
Cleaning under the Mower	64
Disposing of Waste	64
Storage	64
Cleaning and Storage	64
Troubleshooting	66
Schematics	68

Safety

Improper use or maintenance by the operator or owner can result in injury. To reduce the potential for injury, comply with these safety instructions, and pay attention to the safety alert symbol, which means Caution, Warning, or Danger—"personal safety instruction." Failure to comply with the instructions may result in personal injury or death.

This machine was manufactured according to the appropriate regulatory standards in effect at the time of manufacture. Modifying this machine in any way may cause it to be out of compliance with those standards and with the instructions in this *Operator's Manual*. Modifications to this machine should only be made by either the manufacturer or an Authorized Toro Dealer.

This product is capable of amputating hands and feet. Follow all safety instructions to avoid serious injury or death.

The owner/user can prevent and is responsible for accidents or injuries occurring to people, or damage to property.

The addition of attachments made by other manufacturers that do not meet American National Standards Institute certification will cause noncompliance of this machine.

Safe Operating Practices

The following instructions are adapted from ANSI standard B71.4-2012.

Training

- Read the *Operator's Manual* and other training material.
- If the operator(s) or mechanic(s) cannot read the manual language, it is the owner's responsibility to explain this material to them.
- Become familiar with the safe operation of the equipment, operator controls, and safety signs.
- All operators and mechanics should be trained. The owner is responsible for training the users.
- Never let children or untrained people operate or service the equipment. Local regulations may restrict the age of the operator.
- The owner/user can prevent and is responsible for accidents or injuries occurring to people, or damage to property.

Preparation

- Evaluate the terrain to determine what accessories and attachments are needed to properly and safely perform the job. Only use accessories and attachments approved by the manufacturer.
- Wear appropriate clothing including: a hard hat, safety glasses, and hearing protection. Long hair, loose clothing or jewelry may get tangled in moving parts.
- Inspect the area where the equipment is used, and remove all objects that can be thrown by the machine.
- Check that operator's presence controls, safety switches, and shields are attached and functioning properly. Do not operate unless they are functioning properly.

Operation

- Lightning can cause severe injury or death. If lightning is seen, or thunder is heard in the area, do not operate the machine; seek shelter.
- Do not run an engine in an enclosed area.
- Operate only in well-lit areas, keeping away from holes and hidden hazards.
- Ensure that all drives are in neutral and that the parking brake is engaged before starting engine. Start the engine only from the operator's position.
- Make sure that you have good footing while using this machine, especially when backing up. Reduced footing could cause slipping.
- Slow down and use extra care on hillsides. Be sure to travel side to side on hillsides. Turf conditions can affect the stability of the machine. Use caution while operating near drop-offs.
- Slow down and use caution when making turns and when changing directions on slopes.
- Do not raise the mower deck with the blades running.
- Do not operate the machine without the PTO shield or other guards securely in place. Be sure that all interlocks are attached, adjusted properly, and functioning properly.
- Do not operate with the discharge deflector raised, removed or altered, unless you are using a grass catcher.
- Do not change the engine governor setting or overspeed the engine.
- Stop on level ground, disengage drives, engage the parking brake (if provided), shut off the engine before leaving the operator's position for any reason, including emptying the catchers or unclogging the chute.
- Stop equipment and inspect the blades after striking objects or if an abnormal vibration occurs.

Make the necessary repairs before resuming operations.

- Keep your hands and feet away from the cutting unit.
- Look behind and down before backing up to ensure a clear path.
- Keep pets and bystanders away from an operating machine.
- Slow down and use caution when making turns and crossing roads and sidewalks. Stop the blades if you are not mowing.
- Be aware of the mower-discharge direction and do not point it at anyone.
- Do not operate the mower under the influence of alcohol or drugs.
- Use care when loading or unloading the machine into or from a trailer or truck.
- Use care when approaching blind corners, shrubs, trees, or other objects that may obscure vision.

Safe Handling of Fuels

- To avoid personal injury or property damage, use extreme care in handling gasoline. Gasoline is extremely flammable and the vapors are explosive.
- Extinguish all cigarettes, cigars, pipes, and other sources of ignition.
- Use only an approved fuel container.
- Do not remove the fuel cap or add fuel with the engine running.
- Allow the engine to cool before fueling.
- Do not fuel the machine indoors.
- Do not store the machine or fuel container where there is an open flame, spark, or pilot light, such as on a water heater or on other appliances.
- Do not fill containers inside a vehicle, on a truck, or on a trailer bed with a plastic liner. Always place containers on the ground away from your vehicle before filling.
- Remove equipment from the truck or trailer and fuel it on the ground. If this is not possible, then add fuel with such equipment as a portable container rather than from a fuel-dispenser nozzle.
- Keep the nozzle in contact with the rim of the fuel tank or container opening at all times until fueling is complete.
- Do not use a nozzle lock-open device.
- If you spill fuel on clothing, change your clothing immediately.
- Do not overfill the fuel tank. Replace the fuel cap and tighten securely.

Maintenance and Storage

- Disengage drives, set the parking brake, stop the engine, and remove the key or disconnect spark-plug wire. Wait for all movement to stop before adjusting, cleaning, or repairing.
- Park the machine on a level surface.
- Clean grass and debris from the cutting unit, drives, mufflers, and engine to help prevent fires.
- Clean up oil or fuel spills.
- Let the engine cool before storing the machine.
- Do not store fuel near flames or drain fuel indoors.
- Do not allow untrained personnel to service the machine.
- Use jack stands to support components when required.
- Carefully release pressure from components with stored energy.
- Disconnect the battery or remove the spark-plug wire before making any repairs. Disconnect the negative terminal first and the positive terminal last. Connect the positive terminal first and negative last.
- Use care when checking the blades. Wrap the blade(s) or wear thickly padded gloves, and use caution when servicing them. Only replace blades; do not straighten or weld them.
- Keep hands and feet away from moving parts. If possible, do not make adjustments with the engine running.
- Keep all parts in good working condition and all hardware tightened. Replace all worn or damaged decals.

Hauling

- Use care when loading or unloading the machine into a trailer or a truck.
- Use full-width ramps for loading machine into a trailer or a truck.
- Tie the machine down securely using straps, chains, cable, or ropes. Both front and rear straps should be directed down and outward from the machine.

Toro Mower Safety

The following list contains safety information specific to Toro products and other safety information that you must know.

This product is capable of amputating hands and feet, and of throwing objects. Always follow all safety instructions to avoid serious injury or death.

This product is designed for cutting and recycling grass, or, when equipped with a grass bagger, for catching cut grass. Any use for purposes other than these could prove dangerous to the user and bystanders.

General Operation

- Be sure that the area is clear of bystanders before mowing. Stop the machine if anyone enters the area.
- Do not touch equipment or attachment parts which may be hot from operation. Allow all of the parts to cool before attempting to maintain, adjust, or service the machine.
- Use only Toro-approved attachments. Warranty may be voided if used with any unapproved attachments.
- Check carefully for overhead clearances (i.e. branches, doorways, electrical wires, etc.) before operating under any objects, and do not contact them.
- Slow down before making turns and use extra caution.
- Use caution when riding the platform over curbs, rocks, roots, or other obstructions.
- Look behind and down before backing up to ensure a clear path. Use extra care when operating in reverse.
- Do not jerk the controls; use a steady motion.
- When loading or unloading the machine, use one full-width ramp that is wide enough to extend beyond the width of the machine.
- Do not carry passengers.
- Do not carry equipment on the machine.

Slope Operation

All slopes and ramps require extra caution. If you feel uneasy on a slope, do not mow it.

- Remove obstacles such as rocks, tree limbs, etc. from the mowing area.
- Watch for holes, ruts or bumps. Tall grass can hide obstacles.
- Use caution near drop-offs, ditches, or embankments. The machine could suddenly turn over if a wheel goes over the edge of a cliff or ditch, or if an edge caves in.
- Use extra care with grass catchers or other attachments. These can change the stability of the machine.
- Keep all movement on slopes slow and gradual.
- Do not make sudden changes in speed or direction.
- Mow slopes side to side.
- Do not mow slopes greater than 20 degrees.

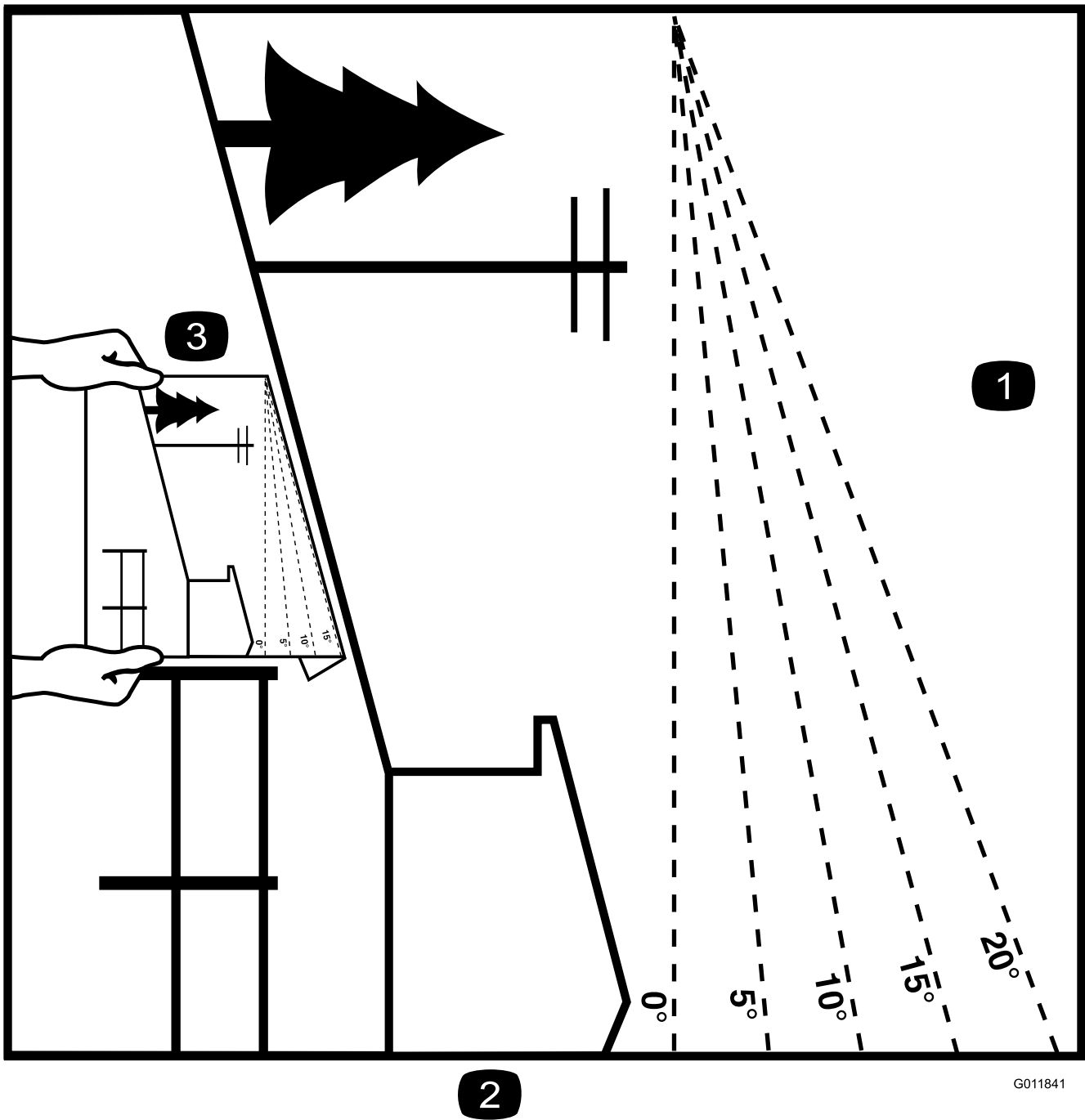
Using the Rollover-Protection System (ROPS)

- The ROPS is an integral and effective safety device. Keep the ROPS in the raised and locked position and use the seat belt when operating the machine.
- Lower the ROPS temporarily only when absolutely necessary. Do not wear the seat belt when the ROPS is folded down.
- Be aware there is no rollover protection when the ROPS is in the down position.
- Be certain that the seat belt can be released quickly in the event of an emergency.
- Check the area to be mowed and never fold down the ROPS in areas where there are slopes, drop offs or water.
- Check carefully for overhead clearances (i.e. branches, doorways, electrical wires) before driving under any objects and do not contact them.
- Keep the ROPS in safe operating condition by periodically thoroughly inspecting for damage and keeping all mounting fasteners tight.
- Replace a damaged ROPS. Do not repair or revise.
- **Do not** remove the ROPS.
- Any alterations to a ROPS must be approved by the manufacturer.

Service

- Do not store the machine or a fuel container inside where there is an open flame, such as near a water heater or furnace.
- Keep the nuts and bolts tight, especially the blade-attachment bolts.
- Never interfere with the intended function of a safety device or reduce the protection provided by a safety device. Check their proper operation regularly.
- To best protect your investment and maintain optimal performance of your Toro equipment, count on Toro genuine parts. When it comes to reliability, Toro delivers replacement parts designed to the exact engineering specifications of our equipment. For peace of mind, insist on Toro genuine parts.
- Check brake operation frequently. Adjust and service as required.

Slope Indicator



G011841

g011841

Figure 3

This page may be copied for personal use.

1. The maximum slope you can safely operate the machine on is **15 degrees**. Use the slope chart to determine the degree of slope of hills before operating. **Do not operate this machine on a slope greater than 15 degrees.** Fold along the appropriate line to match the recommended slope.
2. Align this edge with a vertical surface, a tree, building, fence pole, etc.
3. Example of how to compare slope with folded edge.

Safety and Instructional Decals



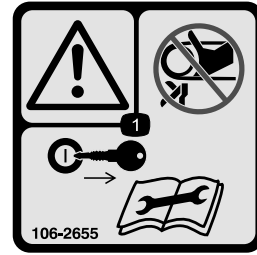
Safety decals and instructions are easily visible to the operator and are located near any area of potential danger. Replace any decal that is damaged or lost.



1
58-6520

decal58-6520

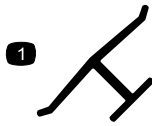
1. Grease



106-2655

decal106-2655

1. Warning—do not touch or approach moving belts; remove the ignition key and read the instructions before servicing or performing maintenance.



Manufacturer's Mark

decaloemmark

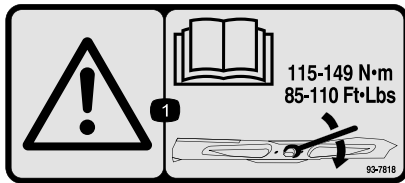
1. Indicates the blade is identified as a part from the original machine manufacturer.



106-5517

decal106-5517

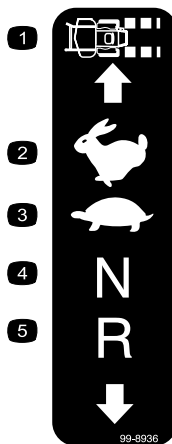
1. Warning—do not touch the hot surface.



93-7818

decal93-7818

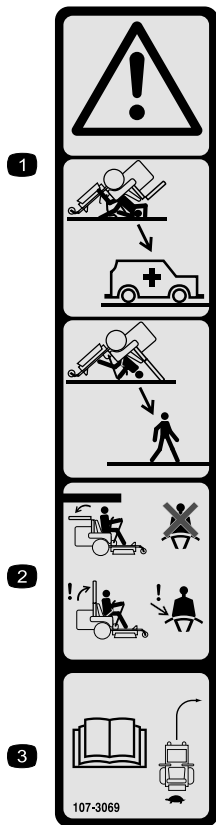
1. Warning—read the *Operator's Manual* for instructions on torquing the blade bolt/nut to 115-149 N·m (85-110 ft-lb).



99-8936

decal99-8936

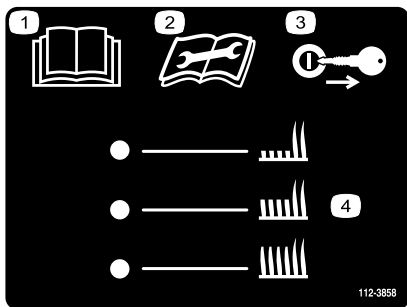
- | | |
|------------------|------------|
| 1. Machine speed | 4. Neutral |
| 2. Fast | 5. Reverse |
| 3. Slow | |



107-3069

decal107-3069

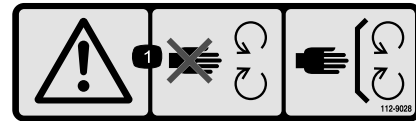
1. Warning—there is no rollover protection when the roll bar is down.
2. To avoid injury or death from a rollover accident, keep the roll bar in the raised and locked position and wear the seat belt. Lower the roll bar only when absolutely necessary; do not wear the seat belt when the roll bar is down.
3. Read the *Operator's Manual*; drive slowly and carefully.



112-3858

decal112-3858

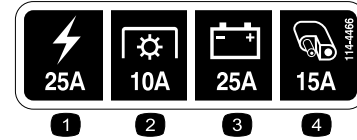
1. Read the *Operator's Manual*.
2. Read the instructions before servicing or performing maintenance.
3. Remove the ignition key before adjusting the height of cut.
4. Height-of-cut settings.



112-9028

decal112-9028

1. Warning—stay away from moving parts; keep all guards in place.



114-4466

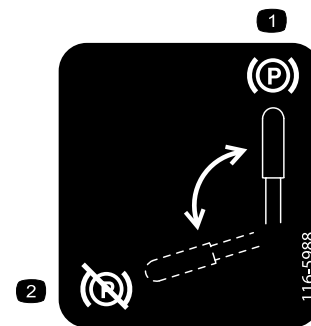
decal114-4466

1. Main, 25A
2. PTO, 10A
3. Charge, 25A
4. Auxiliary, 15A



116-4858

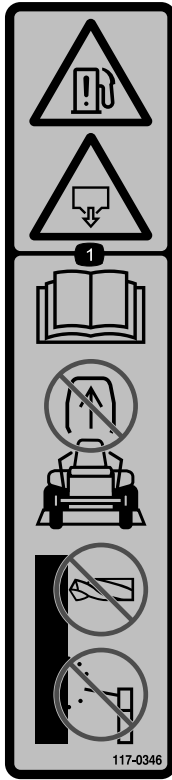
decal116-4858



116-5988

decal116-5988

1. Parking brake—engaged
2. Parking brake—disengaged



117-0346

decal117-0346

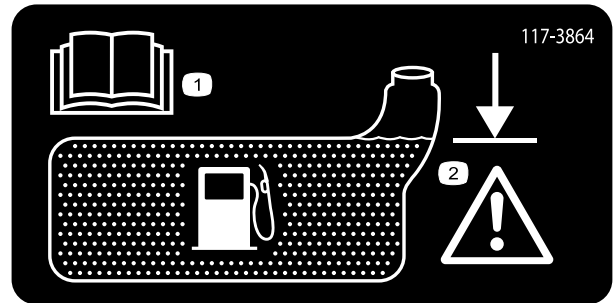
1. Fuel leak hazard—read the *Operator's Manual*; do not attempt to remove the roll bar; do not weld, drill or modify the roll bar in any way.



117-3848

decal117-3848

1. Thrown object hazard—keep bystanders a safe distance from the machine.
2. Thrown object hazard, mower—do not operate the machine without deflector, discharge cover, or grass collection system in place.
3. Cutting/dismemberment of hand or foot—stay away from moving parts; keep all guards and shields in place.



117-3864

decal117-3864

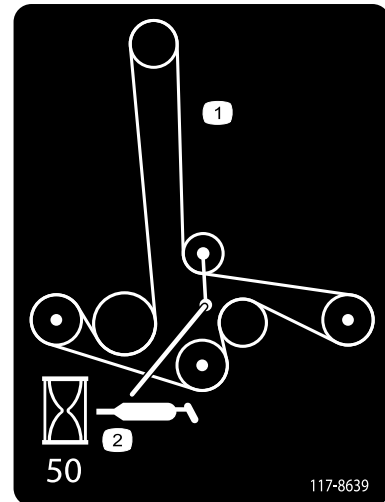
1. Read the *Operator's Manual*.
2. Fill to bottom of filler neck; warning—do not overfill the tank.



117-1158

decal117-1158

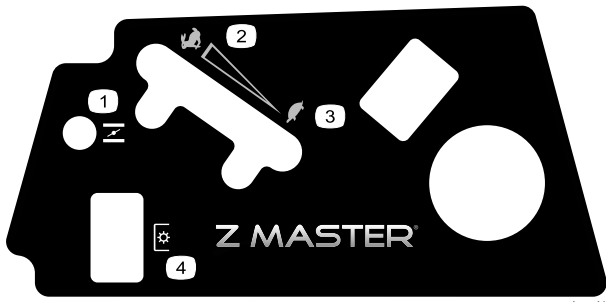
1. Bypass lever position for operating the machine.
2. Bypass lever position for pushing the machine.



117-8639

decal117-8639

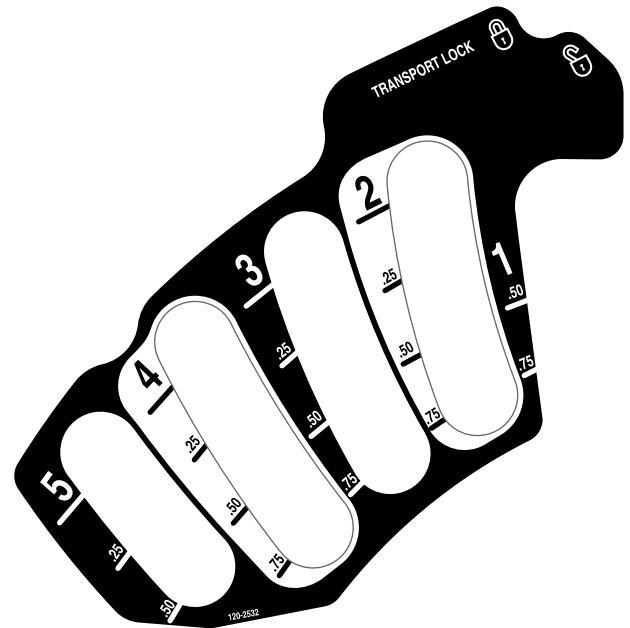
1. Belt routing
2. Grease pulley, maintenance interval—50 hours



decal119-2501

119-2501

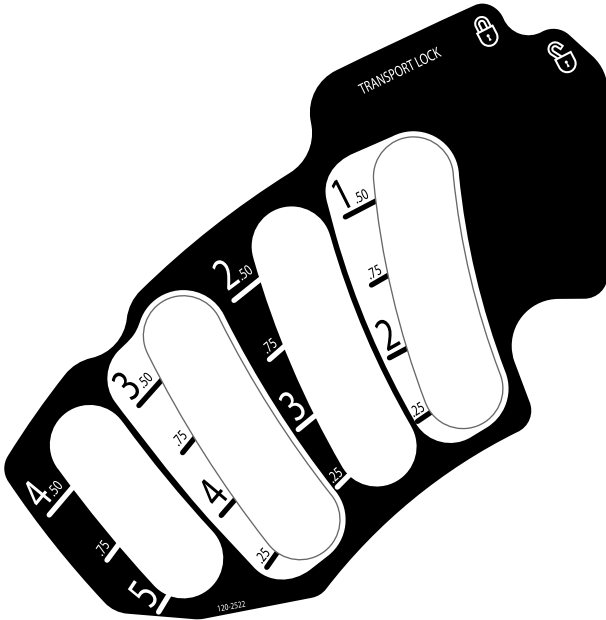
- | | |
|----------|------------------------|
| 1. Choke | 3. Slow |
| 2. Fast | 4. PTO (Power Takeoff) |



decal120-2532

120-2532

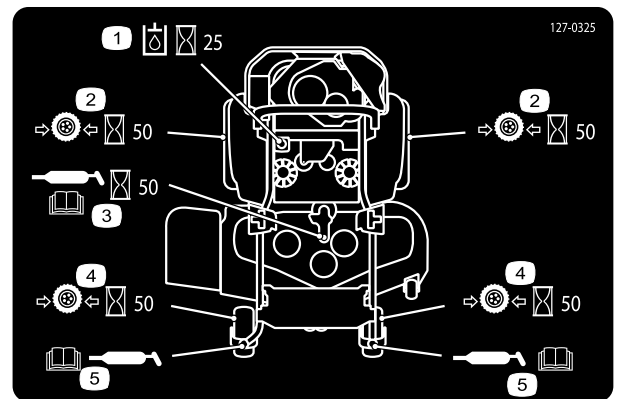
52-inch and 60-inch decks only



decal120-2522

120-2522

48-inch decks only

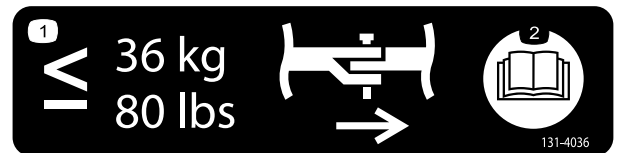


127-0325

127-0325

decal127-0325

- | | |
|--|--|
| 1. Check the hydraulic pressure every 25 hours. | 4. Check the front tire pressure every 50 hours. |
| 2. Check the rear tire pressure every 50 hours. | 5. Lubricate the front wheel grease point; read the <i>Operator's Manual</i> . |
| 3. Lubricate the deck grease point every 50 hours; read the <i>Operator's Manual</i> . | |



decal131-4036

131-4036

- | | |
|---------------------------------------|--|
| 1. Maximum drawbar pull 36 kg (80 lb) | 2. Read the <i>Operator's Manual</i> . |
|---------------------------------------|--|



Battery Symbols

Some or all of these symbols are on your battery

- | | |
|--|--|
| 1. Explosion hazard | 6. Keep bystanders a safe distance from the battery. |
| 2. No fire, open flame, or smoking. | 7. Wear eye protection; explosive gases can cause blindness and other injuries |
| 3. Caustic liquid/chemical burn hazard | 8. Battery acid can cause blindness or severe burns. |
| 4. Wear eye protection | 9. Flush eyes immediately with water and get medical help fast. |
| 5. Read the <i>Operator's Manual</i> . | 10. Contains lead; do not discard. |



132-0871

decal132-0871

- | | |
|--|---|
| 1. Warning—read the <i>Operator's Manual</i> ; do not operate the machine unless you are trained; wear hearing protection. | 4. Ramp hazard—when loading onto a trailer, do not use dual ramps; only use a singular ramp wide enough for the machine and that has an incline less than 15 degrees; back up the ramp (in reverse) and drive forward off the ramp. |
| 2. Cutting and pinching hazard—keep hands and feet away from moving parts; keep all guards and shields in place. | 5. Bodily harm hazard—look behind you when mowing in reverse. |
| 3. Thrown object hazard—keep bystanders away. | 6. Tipping hazard on slopes—do not use on slopes near open water; do not use on slopes greater than 15 degrees. |

Product Overview

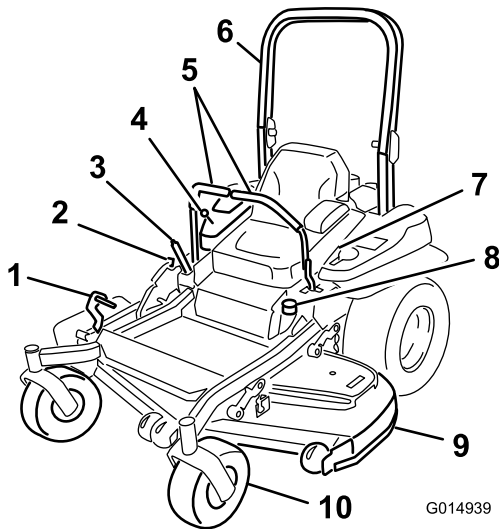


Figure 4

- | | |
|----------------------------------|------------------|
| 1. Height-of-cut deck-lift pedal | 6. Roll bar |
| 2. Transport lock | 7. Seat belt |
| 3. Parking-brake lever | 8. Fuel cap |
| 4. Controls | 9. Mower deck |
| 5. Motion-control levers | 10. Caster wheel |

Controls

Become familiar with all the controls before you start the engine and operate the machine (Figure 4 and Figure 5).

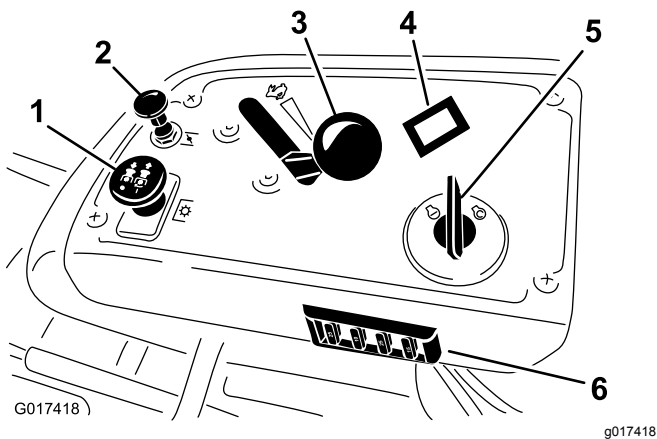


Figure 5

- | | |
|---------------------|--------------------|
| 1. PTO Switch | 4. Hour meter |
| 2. Choke | 5. Ignition switch |
| 3. Throttle control | 6. Fuses |

Hour Meter

The hour meter records the number of hours the engine has operated. It operates when the engine is running. Use these times for scheduling regular maintenance (Figure 5).

Throttle Control

The throttle control is variable between **Fast** and **Slow**.

Choke

Use the choke to start a cold engine. Pull the choke knob up to engage it.

Blade-Control Switch (PTO)

Use the blade-control switch (PTO) to engage the electric clutch and drive the mower blades. Pull the switch up to engage the blades and release. To disengage the blades, push the blade-control switch (PTO) down or move a motion-control lever into the NEUTRAL-LOCK position.

Ignition Switch

This switch is used to start the mower engine and has 3 positions: **Start**, **Run** and **Off**.

Motion-Control Levers

The motion-control levers are used to drive the machine forward, reverse, and turn either direction.

Neutral-Lock Position

Use the NEUTRAL-LOCK position with the safety-interlock system to engage and to determine the NEUTRAL position.

Fuel-Shutoff Valve

Close the fuel-shutoff valve (under the seat) when transporting or storing the mower.

Attachments/Accessories

A selection of Toro approved attachments and accessories is available for use with the machine to enhance and expand its capabilities. Contact your Authorized Service Dealer or Distributor or go to www.Toro.com for a list of all approved attachments and accessories.

Specifications

Note: Specifications and design are subject to change without notice.

Width:

	48-inch Deck	52-inch Deck	60-inch Deck
Without Deck	115 cm (45 inches)	119 cm (47 inches)	135 cm (51 inches)
Deflector Up	131 cm (52 inches)	135 cm (53 inches)	156 cm (61 inches)
Deflector Down	160 cm (63 inches)	172 cm (67 inches)	191 cm (75 inches)

Length

	48-inch Deck	52-inch Deck	60-inch Deck
Roll Bar - Up	200 cm (79 inches)	202 cm (79 inches)	211 cm (83 inches)
Roll Bar - Down	204 cm (80 inches)	206 cm (81 inches)	215 cm (85 inches)

Height:

Roll Bar - Up	Roll Bar - Down
178 cm (70 inches)	118 cm (47 inches)

Weight:

Model	Weight
74141	420 kg (926 lb)
74143	428 kg (944 lb)
74145	448 kg (988 lb)

Operation

Note: Determine the left and right sides of the machine from the normal operating position.

Adding Fuel

- For best results, use only clean, fresh (less than 30 days old), unleaded gasoline with an octane rating of 87 or higher ((R+M)/2 rating method).
- **Ethanol:** Gasoline with up to 10% ethanol (gasohol) or 15% MTBE (methyl tertiary butyl ether) by volume is acceptable. Ethanol and MTBE are not the same. Gasoline with 15% ethanol (E15) by volume is not approved for use. **Never use gasoline that contains more than 10% ethanol by volume**, such as E15 (contains 15% ethanol), E20 (contains 20% ethanol), or E85 (contains up to 85% ethanol). Using unapproved gasoline may cause performance problems and/or engine damage which may not be covered under warranty.
- **Do not** use gasoline containing methanol.
- **Do not** store fuel either in the fuel tank or fuel containers over the winter unless a fuel stabilizer is used.
- **Do not** add oil to gasoline.

▲ DANGER

In certain conditions, gasoline is extremely flammable and highly explosive. A fire or explosion from gasoline can burn you and others and can damage property.

- **Fill the fuel tank outdoors, in an open area, when the engine is cold. Wipe up any gasoline that spills.**
- **Never fill the fuel tank inside an enclosed trailer.**
- **Do not fill the fuel tank completely full. Add gasoline to the fuel tank until the level is 6 to 13 mm (1/4 to 1/2 inch) below the bottom of the filler neck. This empty space in the tank allows gasoline to expand.**
- **Never smoke when handling gasoline, and stay away from an open flame or where gasoline fumes may be ignited by a spark.**
- **Store gasoline in an approved container and keep it out of the reach of children. Never buy more than a 30-day supply of gasoline.**
- **Do not operate without entire exhaust system in place and in proper working condition.**

▲ DANGER

In certain conditions during fueling, static electricity can be released, causing a spark that can ignite the gasoline vapors. A fire or explosion from gasoline can burn you and others and can damage property.

- **Always place gasoline containers on the ground away from your vehicle before filling.**
- **Do not fill gasoline containers inside a vehicle or on a truck or trailer bed, because interior carpets or plastic truck bed liners may insulate the container and slow the loss of any static charge.**
- **When practical, remove gas-powered equipment from the truck or trailer and refuel the equipment with its wheels on the ground.**
- **If this is not possible, then refuel such equipment on a truck or trailer from a portable container rather than from a gasoline-dispenser nozzle.**
- **If you must use a gasoline-dispenser nozzle, keep the nozzle in contact with the rim of the fuel tank or container opening at all times until fueling is complete.**

▲ WARNING

Gasoline is harmful or fatal if swallowed. Long-term exposure to vapors can cause serious injury and illness.

- **Avoid prolonged breathing of vapors.**
- **Keep face away from nozzle and gas tank or conditioner bottle opening.**
- **Avoid contact with skin; wash off spills with soap and water.**

Using Stabilizer/Conditioner

Use a fuel stabilizer/conditioner in the machine to provide the following benefits:

- Keeps gasoline fresh during storage of 90 days or less. For longer storage it is recommended that the fuel tank be drained.
- Cleans the engine while it runs
- Eliminates gum-like varnish buildup in the fuel system, which causes hard starting

Important: Do not use fuel additives containing methanol or ethanol.

Add the correct amount of gasoline stabilizer/conditioner to the gasoline.

Note: A fuel stabilizer/conditioner is most effective when mixed with fresh gasoline. To minimize the chance of varnish deposits in the fuel system, use fuel stabilizer at all times.

Filling the Fuel Tank

Note: Do not fill the fuel tank completely full. Fill the fuel tank to the bottom of the filler neck. The empty space in the tank allows the gasoline to expand.

1. Park the machine on level ground.
2. Shut the engine off and set the parking brake.
3. Clean around the fuel-tank cap.
4. Fill the fuel tank to the bottom of the filler neck.
5. Ensure that there is empty space in the tank to allow the gasoline to expand (Figure 6).

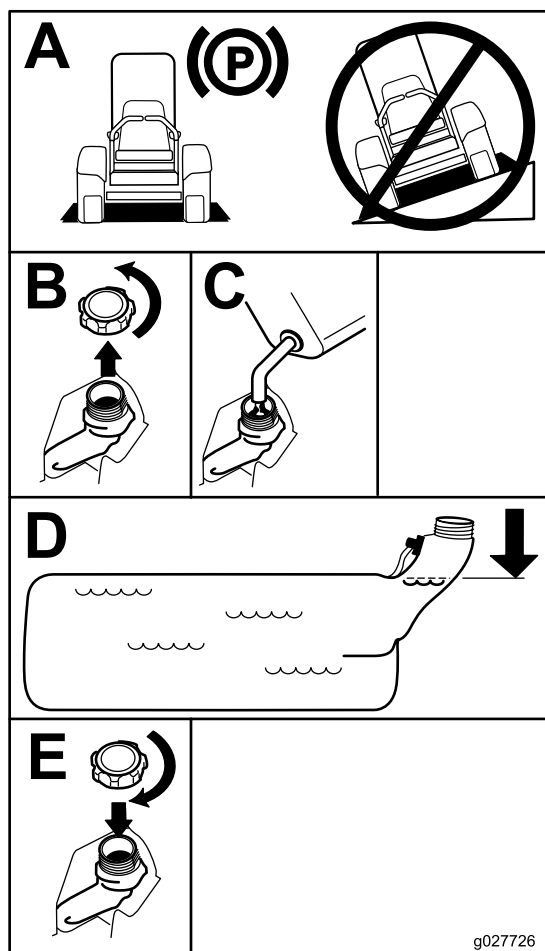


Figure 6

g027726

Checking the Engine-Oil Level

Before you start the engine and use the machine, check the oil level in the engine crankcase; refer to [Checking the Engine-Oil Level \(page 37\)](#).

Breaking in a New Machine

New engines take time to develop full power. Mower decks and drive systems have higher friction when new, placing additional load on the engine. Allow 40 to 50 hours of break-in time for new machines to develop full power and best performance.

Using the Rollover-Protection System (ROPS)

⚠ WARNING

To avoid injury or death from rollover: keep the roll bar in the fully raised, locked position and use the seat belt.

Ensure that the seat is secured to the machine.

⚠ WARNING

There is no rollover protection when the roll bar is in the down position.

- Lower the roll bar only when absolutely necessary.
- Do not wear the seat belt when the roll bar is in the down position.
- Drive slowly and carefully.
- Raise the roll bar as soon as clearance permits.
- Check carefully for overhead clearances (i.e., branches, doorways, electrical wires) before driving under any objects, and do not contact them.

Important: Ensure that the seat is secured to the machine.

1. To lower the roll bar, apply forward pressure to the upper part of the roll bar.
2. Pull both knobs out and rotate them 90 degrees so they are not engaged (Figure 7).
3. Lower the roll bar to the down position (Figure 7).

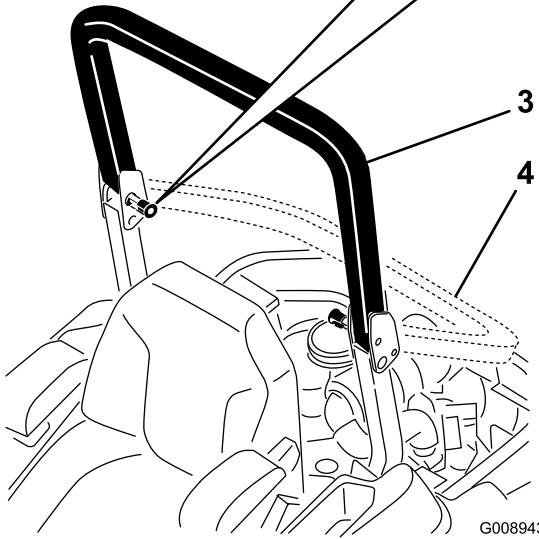
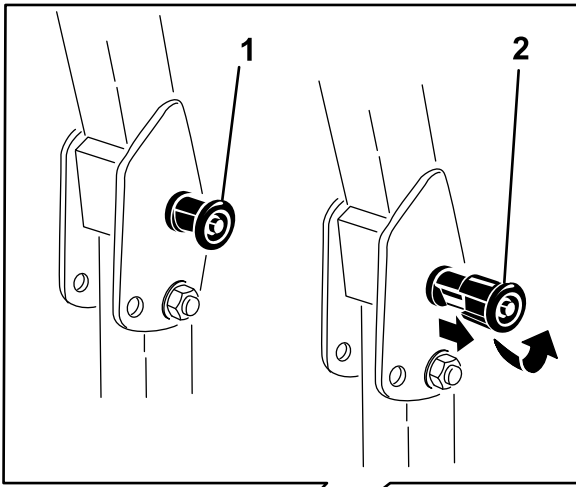


Figure 7

G008943

g008943

- | | |
|---|-------------------------------------|
| 1. ROPS knob | 3. Roll bar in the upright position |
| 2. Pull the ROPS knob out and rotate it 90 degrees. | 4. Roll bar in the folded position |

4. To raise the roll bar, raise the roll bar to the operate position and rotate the knobs so that they move partially into the grooves (Figure 7).
5. Raise the roll bar to the full upright position while pushing on the upper roll bar so that the pins snap into position when the holes align with the pins (Figure 7).
6. Push on the roll bar and ensure that both pins are engaged.

Important: Always use the seat belt with the roll bar in the raised position.

Think Safety First

Please read all safety instructions and symbols in the safety section. Knowing this information could help you or bystanders avoid injury.

⚠ DANGER

Operating the machine on wet grass or steep slopes can cause sliding and loss of control.

- Do not operate on slopes greater than 15 degrees.
- Reduce speed and use extreme caution on slopes.
- Do not operate the machine near water.

⚠ DANGER

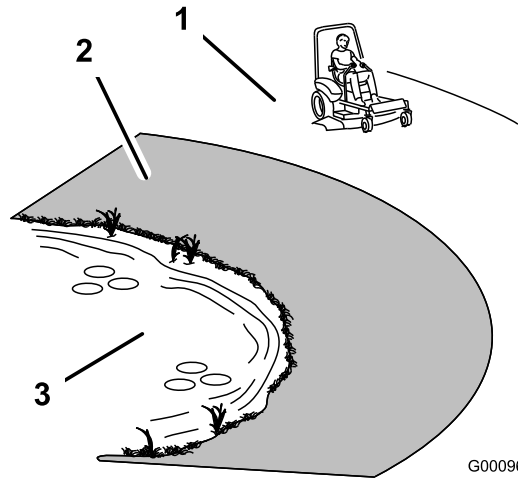
Wheels dropping over edges can cause rollovers, which may result in serious injury, death, or drowning.

Do not operate the machine near drop-offs.

⚠ DANGER

Operating the machine while the roll bar is down may lead to serious injury or death in the event of a rollover.

Always keep the roll bar in the fully raised and locked position and use the seat belt.



G000963

g000963

Figure 8

- | | |
|---|----------|
| 1. Safe Zone—use the Z Master here on slopes less than 15 degrees or flat areas. | 3. Water |
| 2. Danger Zone—use a walk-behind mower and/or a hand trimmer on slopes greater than 15 degrees, near drop-offs and water. | |

⚠ CAUTION

This machine produces sound levels in excess of 85 dBA at the operator's ear and can cause hearing loss through extended periods of exposure.

Wear hearing protection when operating this machine.

The use of protective equipment for eyes, ears, hands, feet, and head is recommended.

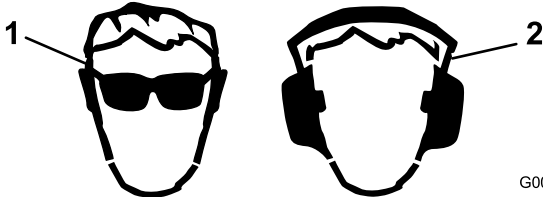


Figure 9

1. Wear safety glasses
2. Wear hearing protection

Operating the Parking Brake

Always set the parking brake when you stop the machine or leave it unattended.

Setting the Parking Brake

⚠ WARNING

The parking brake may not hold a machine parked on a slope and could cause personal injury or property damage.

Do not park the machine on slopes unless the wheels are chocked or blocked.

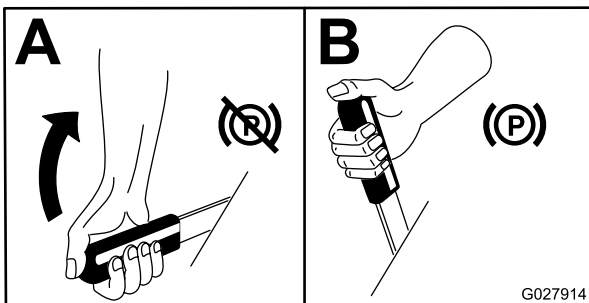


Figure 10

Releasing the Parking Brake

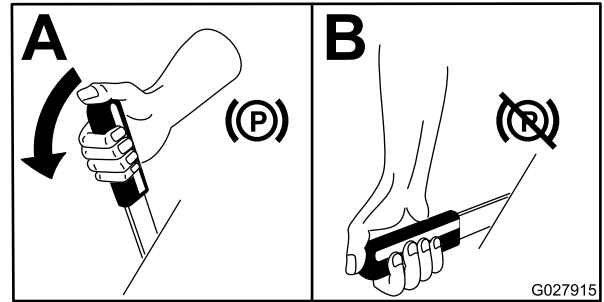


Figure 11

Operating the Mower Blade-Control Switch (PTO)

The blade-control switch (PTO) starts and stops the mower blades and any powered attachments.

Engaging the Blade-Control Switch (PTO)

Note: Engaging the blade-control switch (PTO) with the throttle position at half or less causes excessive wear to the drive belts.

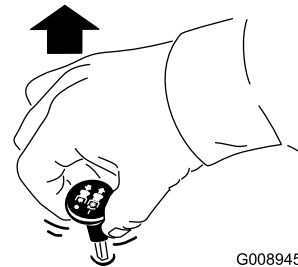


Figure 12

Disengaging the Blade-Control Switch (PTO)

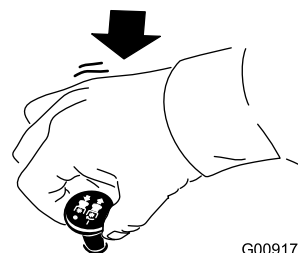


Figure 13

Operating the Throttle

You can move the throttle control between FAST and SLOW positions (Figure 14).

Always use the FAST position when turning on the mower deck with the blade-control switch (PTO).

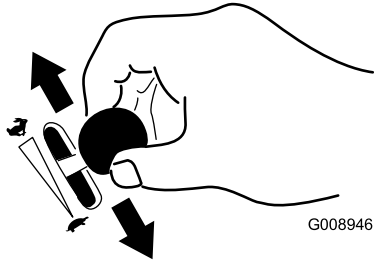


Figure 14

g008946

Operating the Choke

Use the choke to start a cold engine.

1. If the engine is cold, use the choke to start the engine.
2. Pull up the choke knob to engage the choke before using the ignition switch (Figure 15).
3. Push down the choke knob to disengage the choke after starting the engine (Figure 15).

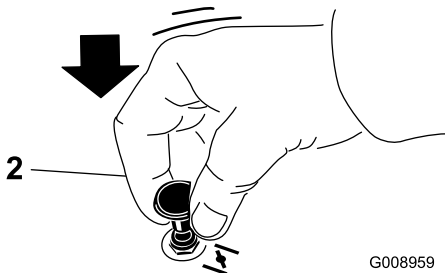
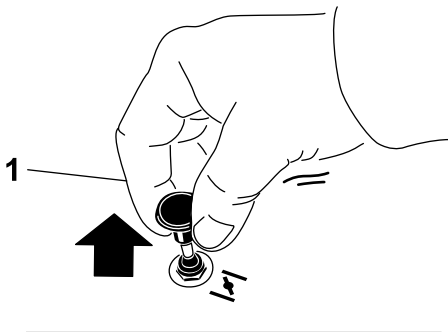


Figure 15

g008959

1. ON position
2. OFF position

Operating the Ignition Switch

1. Turn the ignition key to the START position (Figure 16).

Note: When the engine starts, release the key.

Important: Do not engage the starter for more than 5 seconds at a time. If the engine fails to start, wait 15 seconds between attempts. Failure to follow these instructions can burn out the starter motor.

Note: You may need multiple attempts to start the engine when you start it the first time after the fuel system has been without fuel completely.

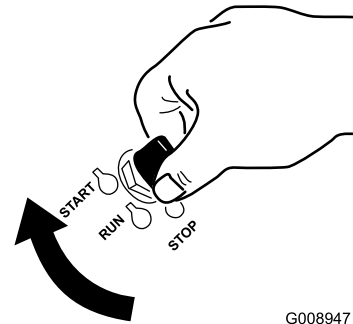


Figure 16

G008947

g008947

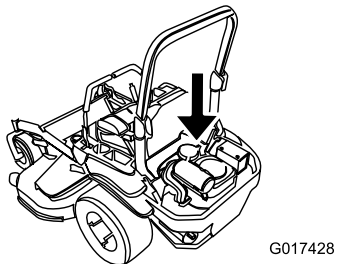
2. Turn the ignition key to the STOP position to stop the engine.

Using the Fuel-Shutoff Valve

The fuel-shutoff valve is located behind the seat.

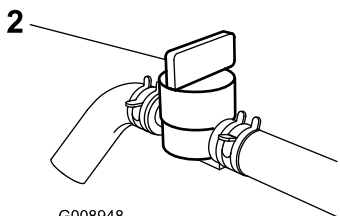
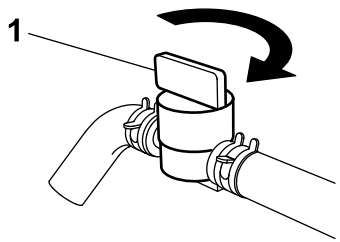
Close the fuel-shutoff valve for transport, maintenance, and storage.

Ensure that the fuel-shutoff valve is open when starting the engine.



G017428

g017428



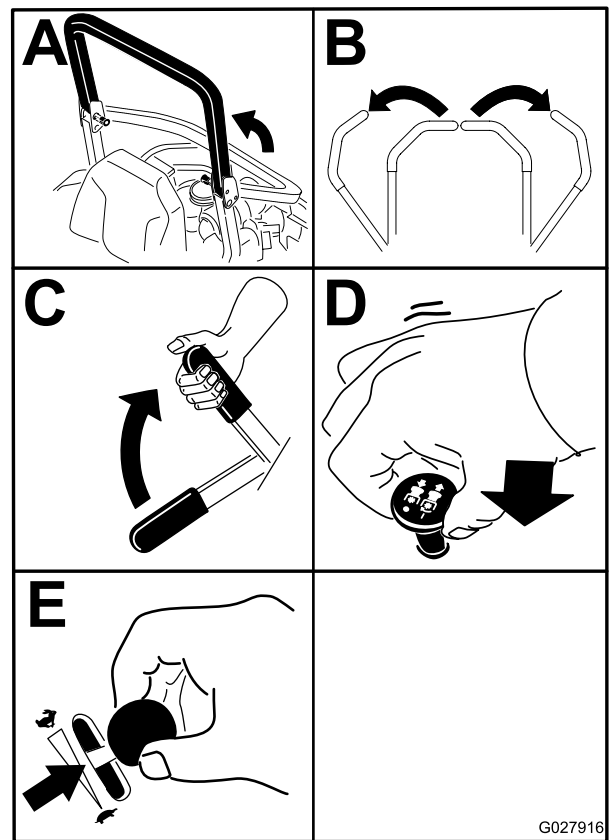
G008948

g008948

Figure 17

1. On position

2. Off position



G027916

g027916

Figure 18

- Turn the ignition key to the START position (Figure 19).

Note: When the engine starts, release the key.

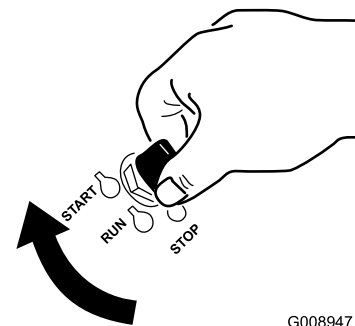
Important: Do not engage starter for more than 5 seconds at a time. If the engine fails to start allow a 15 second cool-down period between attempts. Failure to follow these instructions can burn out the starter motor.

Note: You may need to attempt to start the engine multiple times when you start it for the first time after the fuel system has been without fuel completely.

Starting and Stopping the Engine

Starting the Engine

- Raise the ROPS up, lock it into place, sit on the seat, and fasten the seat belt.
- Move the motion controls to NEUTRAL-LOCK position.
- Set the parking brake; refer to [Setting the Parking Brake \(page 19\)](#).
- Move the blade-control switch (PTO) to the OFF position (Figure 13).
- Move the throttle lever midway between the SLOW and FAST positions.



G008947

g008947

Figure 19

- Off
- Run

3. Start

Stopping the Engine

⚠ CAUTION

Children or bystanders may be injured if they move or attempt to operate the machine while it is unattended.

Always remove the ignition key and set the parking brake when leaving the machine unattended, even if just for a few minutes.

Let the engine idle at slow throttle (turtle) for 60 seconds before turning the ignition switch off.

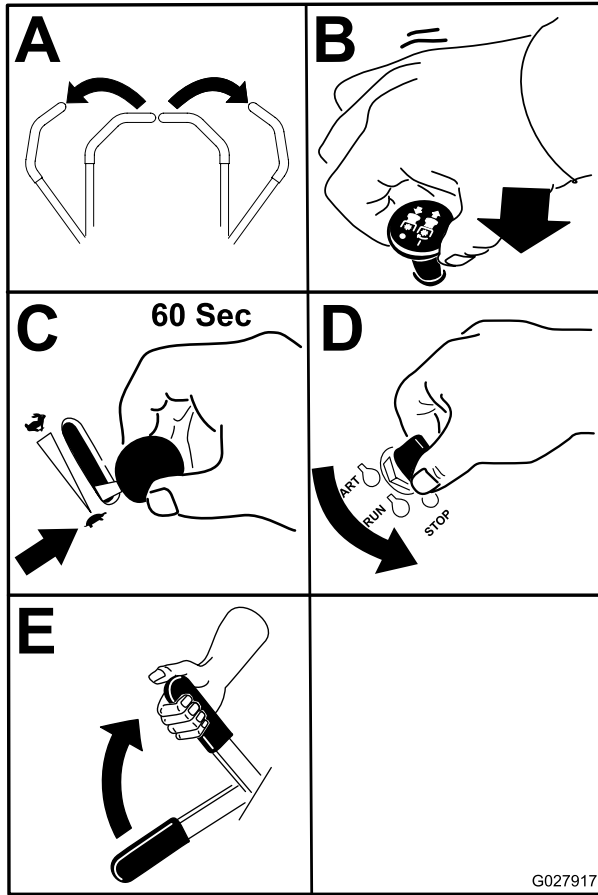


Figure 20

Important: Make sure that the fuel-shutoff valve is closed before transporting or storing the machine, as fuel leakage may occur. Set the parking brake before transporting. Make sure to remove the key as the fuel pump may run and cause the battery to lose charge.

Using the Safety-Interlock System

⚠ CAUTION

If the safety-interlock switches are disconnected or damaged, the machine could operate unexpectedly, causing personal injury.

- Do not tamper with the interlock switches.
- Check the operation of the interlock switches daily and replace any damaged switches before operating the machine.

Understanding the Safety-Interlock System

The safety-interlock system is designed to prevent the engine from starting unless:

- The parking brake is engaged.
- The blade-control switch (PTO) is disengaged.
- The motion-control levers are in the NEUTRAL-LOCK position.

The safety-interlock system also is designed to stop the engine when you move the traction controls from the locked position with the parking brake engaged or if you rise from the seat when the PTO is engaged.

Testing the Safety-Interlock System

Service Interval: Before each use or daily

Test the safety-interlock system before you use the machine each time. If the safety system does not operate as described below, have an Authorized Service Dealer repair the safety system immediately.

1. Sit on the seat, engage the parking brake and move the blade-control switch (PTO) to the ON position. Try starting the engine; the engine should not crank.
2. Sit on the seat, engage the parking brake and move the blade-control switch (PTO) to the OFF position. Move either motion-control lever (out of the NEUTRAL-LOCK position). Try starting the engine; the engine should not crank. Repeat for other control lever.
3. Sit on the seat, engage the parking brake, move the blade-control switch (PTO) to the OFF position, and move the motion-control levers to the NEUTRAL-LOCK position. Start the engine. While the engine is running, release the parking brake, engage the blade-control switch (PTO),

and rise slightly from the seat; the engine should stop.

4. Sit on the seat, engage the parking brake, move the blade-control switch (PTO) to the OFF position, and move the motion-control levers to NEUTRAL-LOCK position. Start the engine. While the engine is running, center either motion-control lever and move it forward or reverse; the engine should stop. Repeat for other motion-control lever.
5. Sit on the seat, disengage the parking brake, move the blade-control switch (PTO) to the OFF position, and move the motion-control levers to NEUTRAL-LOCK position. Try starting the engine; the engine should not crank.

Driving Forward or Backward

The throttle control regulates the engine speed as measured in rpm (revolutions per minute). Place the throttle control in the FAST position for best performance. Always operate in the full throttle position when mowing.

CAUTION

Machine can spin very rapidly. You may lose control of machine and injure yourself or damage the machine.

- Use caution when making turns.
- Slow the machine down before making sharp turns.

Using the Motion-Control Levers

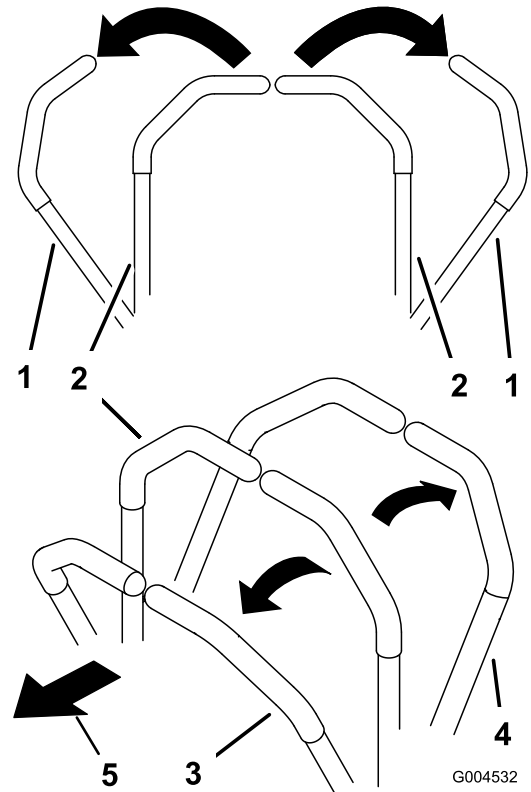


Figure 21

1. Motion-control lever—NEUTRAL-LOCK position
2. Center, unlocked position
3. Forward
4. Backward
5. Front of machine

Driving Forward

Note: The engine shuts off if you move the traction-control levers with the parking brake engaged.

To stop, pull the motion-control levers to the NEUTRAL position.

1. Release the parking brake; refer to [Releasing the Parking Brake \(page 19\)](#).
2. Move the levers to the center, unlocked position.
3. To go forward, slowly push the motion-control levers forward ([Figure 22](#)).

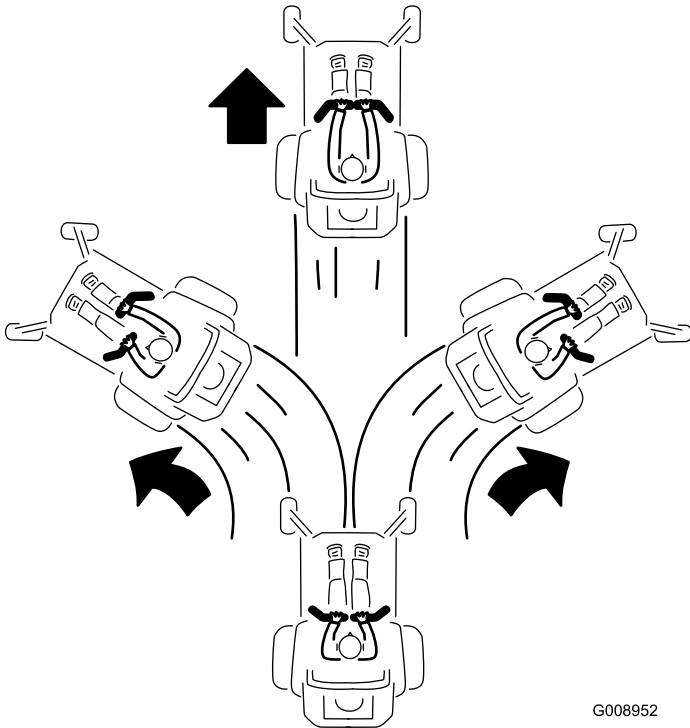


Figure 22

Driving Backward

1. Move the levers to the center, unlocked position.
2. To go backward, slowly pull the motion-control levers rearward ([Figure 23](#)).

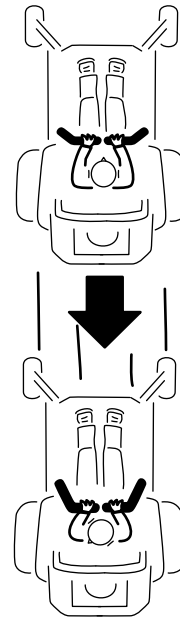


Figure 23

Stopping the Machine

To stop the machine, move the motion-control levers to neutral and then to the NEUTRAL-LOCK position, disengage the blade-control switch (PTO), and turn the ignition key to the OFF position.

Set the parking brake when you leave the machine; refer to [Setting the Parking Brake \(page 19\)](#). Remove the key from the ignition switch.

⚠ CAUTION

Children or bystanders may be injured if they move or attempt to operate the machine while it is unattended.

Always remove the ignition key and set the parking brake when leaving the machine unattended, even if just for a few minutes.

Adjusting the Height-of-Cut

Using the Transport Lock

The transport lock has 2 positions, and is used with the deck-lift pedal. There is a LOCK position and

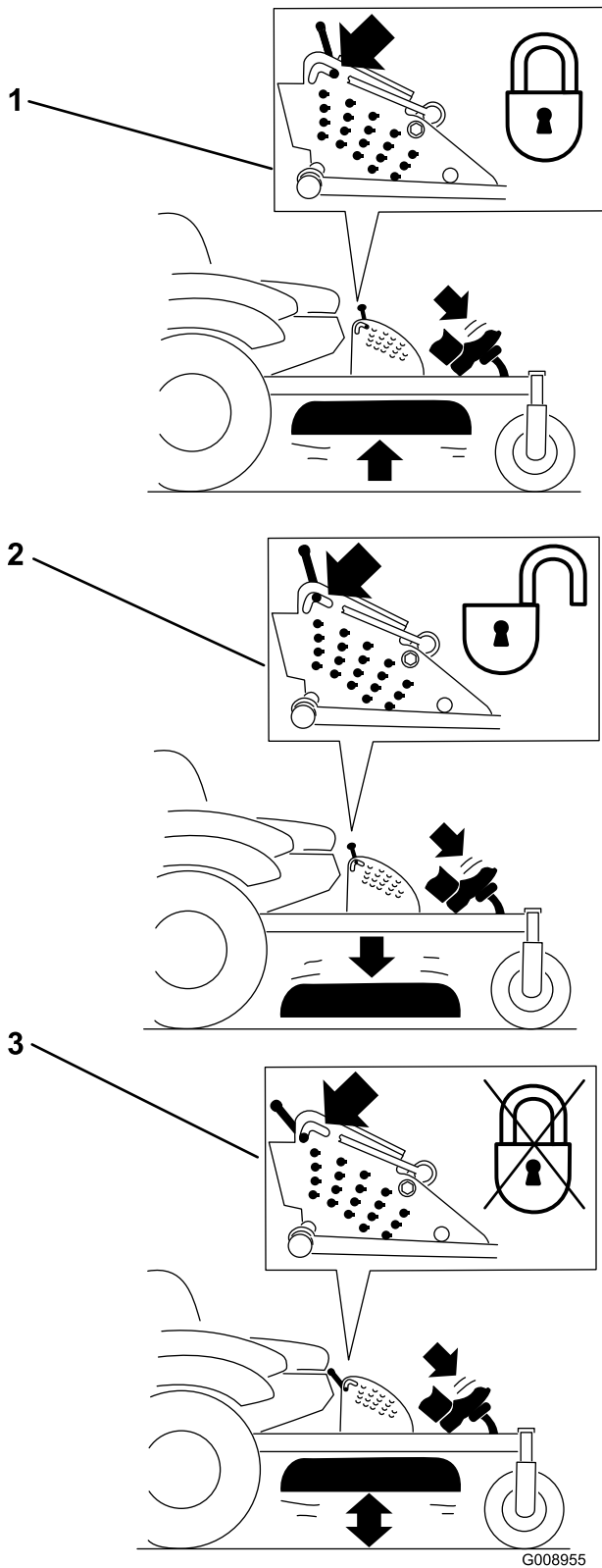
an UNLOCK position for the transport position of the mower deck ([Figure 24](#)).

Adjusting the Height-of-Cut Pin

Mower deck size	Height-of-cut range	Increments
48-inch deck	38 to 127 mm (1-1/2 to 5 inches)	6 mm (1/4 inch)
52-inch and 60-inch decks	38 to 140 mm (1-1/2 to 5-1/2 inches)	6 mm (1/4 inch)

Adjust the height-of-cut from 25 to 140 mm (1 to 5-1/2 inches) in 6 mm (1/4 inch) increments by moving the clevis pin into different hole locations.

1. Move the transport lock to the Lock position.
2. Push on the deck-lift pedal with your foot and raise the mower deck to the Transport position (also the 140 mm or 5-1/2 inch cutting-height position) as shown in [Figure 25](#).
3. To adjust, rotate the pin 90 degrees and remove the pin from the height-of-cut bracket ([Figure 25](#)).
4. Select a hole in the height-of-cut bracket corresponding to the height-of-cut desired, and insert the pin ([Figure 25](#)).
5. Push on the deck lift, pull back on the transport lock, and slowly lower the mower deck.



G008955
g008955

Figure 24

Transport-Lock Positions

1. Transport lock
2. Lock position—The mower deck locks into the transport position.
3. UNLOCK position—The mower deck does not lock into the transport position.

Adjusting the Anti-Scalp Rollers

Whenever you change the height-of-cut, adjust the height of the anti-scalp rollers.

1. Disengage the blade-control switch (PTO), move the motion-control levers to the NEUTRAL-LOCK position, and set the parking brake.
2. Stop the engine, remove the key, and wait for all moving parts to stop before leaving the operating position.

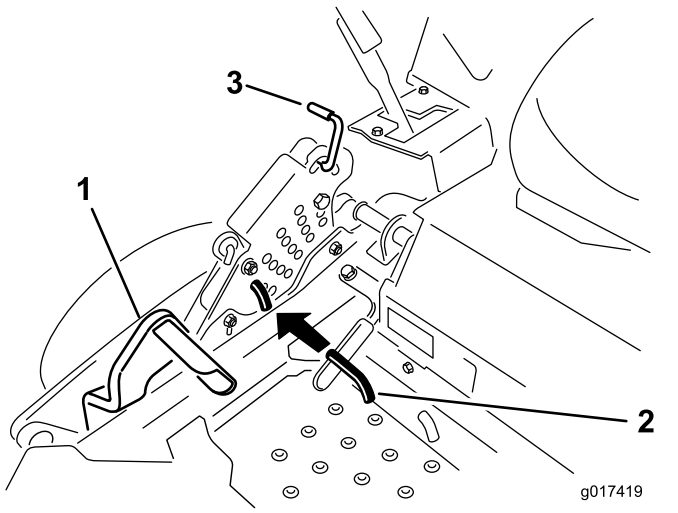


Figure 25

1. Deck-lift pedal
2. Height-of-cut pin
3. Transport lock

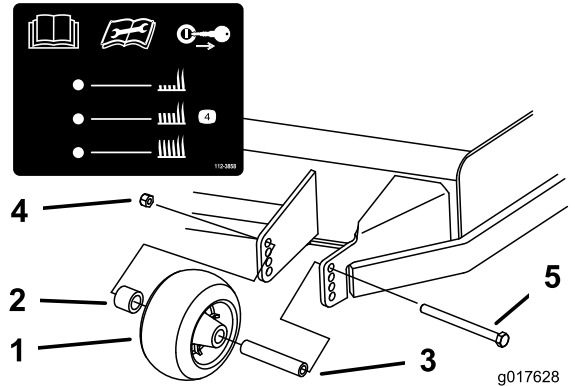


Figure 26

1. Anti-scalp roller
2. Spacer
3. Bushing
4. Flange nut
5. Bolt

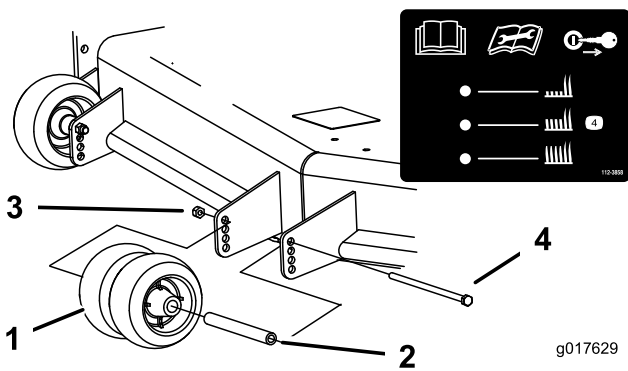


Figure 27

- | | |
|----------------------|---------------|
| 1. Anti-scalp roller | 3. Flange nut |
| 2. Bushing | 4. Bolt |

Positioning the Seat

The seat can move forward and backward. Position the seat where you have the best control of the machine and are most comfortable.

To adjust the seat, move the lever sideways to unlock the seat ([Figure 28](#)).

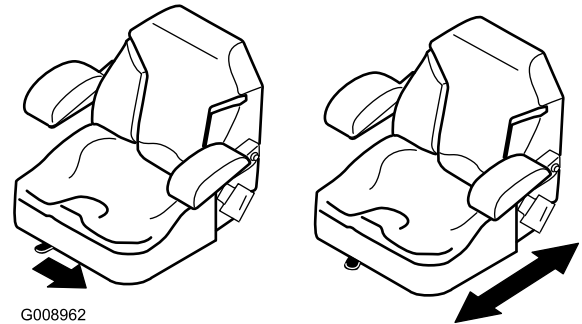


Figure 28

Using the Drive-Wheel-Release Valves

⚠ WARNING

Hands may become entangled in the rotating drive components below the engine deck, which could result in serious injury.

Stop the engine, remove the key, and allow all moving parts to stop before accessing the drive-wheel-release valves.

⚠ WARNING

The engine and hydraulic-drive units can become very hot. Touching a hot engine or hydraulic-drive units can cause severe burns.

Allow the engine and hydraulic-drive units to cool completely before accessing the drive-wheel-release valves.

The drive-wheel-release valves are located behind the seat and down in the engine compartment.

1. Disengage the blade-control switch (PTO), turn the ignition key to off, move the levers to the NEUTRAL-LOCK position, apply the parking brake, and remove the key.
2. Locate the bypass levers behind the seat, down on the left and right side of the frame.

3. To push the machine, move both bypass levers rearward and out to lock them into place (Figure 29).
4. Disengage the parking brake before pushing the machine.

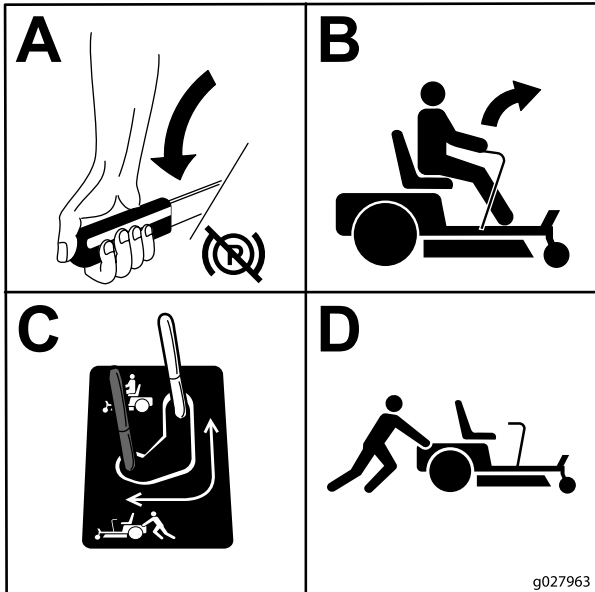


Figure 29

5. To run the machine, move the bypass levers to the FORWARD position (Figure 29).

⚠ DANGER

Without a grass deflector, discharge cover, or a complete grass-catcher assembly mounted in place, you and others are exposed to blade contact and thrown debris. Contact with rotating mower blade(s) and thrown debris cause injury or death.

- Never remove the grass deflector from the mower because the grass deflector routes material down toward the turf. If the grass deflector is ever damaged, replace it immediately.
- Never put your hands or feet under the mower.
- Never try to clear the discharge area or mower blades unless you move the blade-control switch (PTO) to the OFF position, rotate the ignition key to the OFF position, and remove the key.
- Make sure that the grass deflector is in the down position.

Using the Side Discharge

The mower has a hinged grass deflector that disperses clippings to the side and down toward the turf.

Transporting the Machine

Use a heavy-duty trailer or truck to transport the machine. Ensure that the trailer or truck has all necessary brakes, lighting, and marking as required by law. Please carefully read all the safety instructions. Knowing this information could help you, your family, pets, or bystanders avoid injury.

⚠ WARNING

Driving on the street or roadway without turn signals, lights, reflective markings, or a slow-moving-vehicle emblem is dangerous and can lead to accidents, causing personal injury.

Do not drive the machine on a public street or roadway.

To transport the machine:

1. If you are using a trailer, connect it to the towing vehicle and connect the safety chains.
2. If applicable, connect the trailer brakes.
3. Load the machine onto the trailer or truck.
4. Stop the engine, remove the key, set the brake, and close the fuel valve.
5. Use the metal tie-down loops on the machine to securely fasten it to the trailer or truck with straps, chains, cable, or ropes (Figure 30).

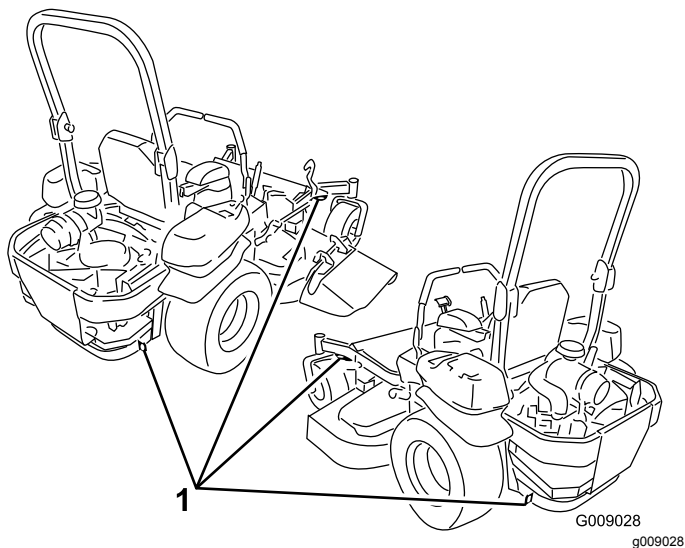


Figure 30

1. Traction unit tie-down loops

Loading the Machine

Use extreme caution when loading or the unloading machine onto a trailer or a truck. Use a full-width ramp that is wider than the machine for this procedure. Back the machine up the ramps and drive it forward down the ramps (Figure 31).

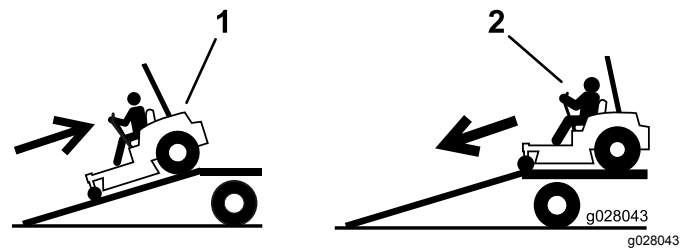


Figure 31

1. Back the machine up the ramps.
2. Drive the machine forward down the ramps.

Important: Do not use narrow individual ramps for each side of the machine.

Ensure that the ramp is long enough so that the angle with the ground does not exceed 15 degrees (Figure 32). On flat ground, this requires a ramp to be at least 4 times as long as the height of the trailer or truck bed to the ground. A steeper angle may cause mower components to get caught as the machine moves from the ramp to the trailer or truck. Steeper angles may also cause the machine to tip or lose control. If you are loading the machine on or near a slope, position the trailer or truck so that it is on the down side of the slope and the ramp extends up the slope. This minimizes the ramp angle.

⚠ WARNING

Loading a machine onto a trailer or truck increases the possibility of a tip-over and could cause serious injury or death.

- Use extreme caution when operating a machine on a ramp.
- Ensure that the ROPS is in the up position and use the seat belt when loading or unloading the machine. Ensure that the ROPS clears the top of an enclosed trailer.
- Use only a full-width ramp; do not use individual ramps for each side of the machine.
- Do not exceed a 15-degree angle between the ramp and the ground or between the ramp and the trailer or truck.
- Ensure that the length of ramp is at least 4 times as long as the height of the trailer or truck bed to the ground. This ensures that ramp angle does not exceed 15 degrees on flat ground.
- Back the machine up the ramps and drive it forward down the ramps.
- Avoid sudden acceleration or deceleration while driving the machine on a ramp as this could cause a loss of control or a tip-over.

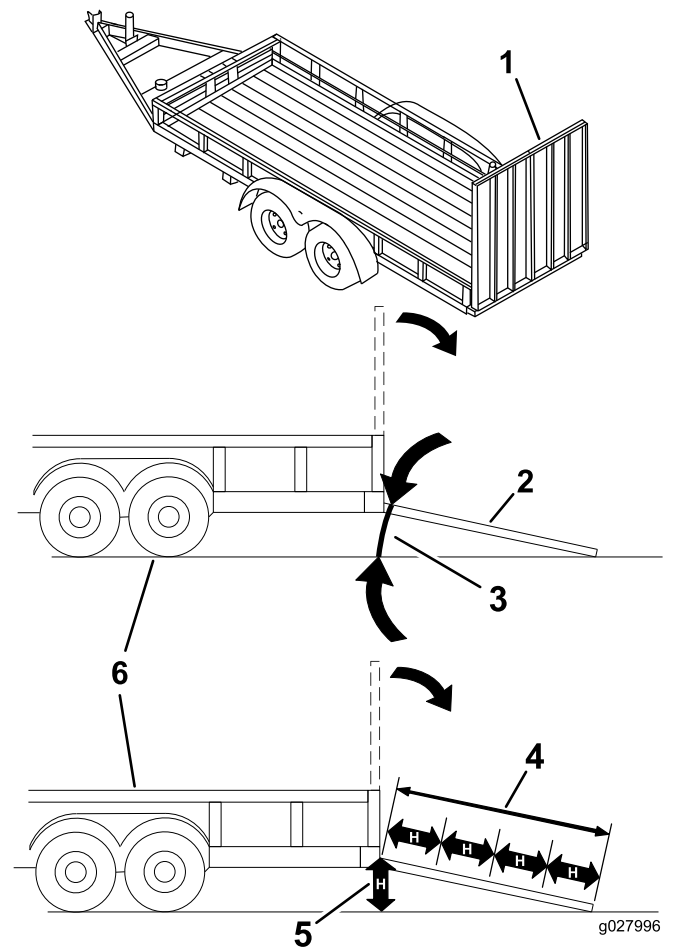


Figure 32

1. Full-width ramp in stowed position
2. Side view of full-width ramp in loading position
3. Not greater than 15 degrees
4. The ramp is at least 4 times as long as the height of the trailer or truck bed to the ground.
5. H= height of the trailer or truck bed to the ground
6. Trailer

Operating Tips

Using the Fast Throttle Setting

For best mowing and maximum air circulation, operate the engine at the FAST throttle position. Air is required to thoroughly cut grass clippings, so do not set the height-of-cut so low as to totally surround the mower by uncut grass. Always try to have 1 side of the mower free from uncut grass, which allows air to be drawn into the mower.

Cutting a Lawn for the First Time

Cut grass slightly longer than normal to ensure that the cutting height of the mower does not scalp any uneven ground. However, the cutting height you have used in the past is generally the best 1 to use. When cutting grass longer than 15.24 cm (6 inches) tall, you may want to cut the lawn twice to ensure an acceptable quality of cut.

Cutting a Third of the Grass Blade

It is best to cut only about 1/3 of the grass blade. Cutting more than that is not recommended unless grass is sparse, or it is late fall when grass grows more slowly.

Alternating the Mowing Direction

Alternate the mowing direction to keep the grass standing straight. This also helps disperse clippings, which enhances decomposition and fertilization.

Mowing at Correct Intervals

Normally, mow every 4 days. However, grass grows at different rates at different times. To maintain the same cutting height, which is a good practice, mow more often in early spring. As the grass growth rate slows in mid-summer, mow less frequently. If you cannot mow for an extended period, first mow at a high cutting height; then mow again 2 days later at a lower height setting.

Adjusting the Cutting Speed

To improve cut quality, use a slower ground speed in certain conditions.

Avoiding Cutting Too Low

If the cutting width of the mower is wider than the mower that you previously used, raise the cutting height to ensure that uneven turf is not cut too short.

Cutting Long Grass

If the grass is ever allowed to grow slightly longer than normal, or if it contains a high degree of moisture, raise the cutting height higher than usual and cut the grass at this setting. Then cut the grass again using the lower, normal setting.

Stopping

If you must stop the forward motion of the machine while mowing, a clump of grass clippings may drop onto your lawn. To avoid this, move onto a previously cut area with the blades engaged.

Keeping the Underside of the Mower Clean

Clean clippings and dirt from the underside of the mower after each use. If grass and dirt build up inside the mower, the cutting quality eventually becomes unsatisfactory.

Maintaining the Blade

Maintain a sharp blade throughout the cutting season, because a sharp blade cuts cleanly without tearing or shredding the grass blades. Tearing and shredding turns grass brown at the edges, which slows growth and increases the chance of disease. Check the cutter blades daily for sharpness and for any wear or damage. File down any nicks and sharpen the blades as necessary. If a blade is damaged or worn, replace it immediately with a genuine Toro replacement blade.

Maintenance

Recommended Maintenance Schedule(s)

Maintenance Service Interval	Maintenance Procedure
After the first 8 hours	<ul style="list-style-type: none"> • Change the engine oil. • Check the torque on the wheel lug nuts.
After the first 50 hours	<ul style="list-style-type: none"> • Change the hydraulic-system filter and oil.
Before each use or daily	<ul style="list-style-type: none"> • Check the safety system. • Check the engine-oil level. • Check the seat belt. • Check the rollover-protection-system (ROPS) knobs. • Clean the engine screen. • Inspect the blades. • Clean the mower deck.
Every 25 hours	<ul style="list-style-type: none"> • Check the hydraulic oil level in the expansion tank.
Every 50 hours	<ul style="list-style-type: none"> • Grease the mower deck idler arm. • Check spark arrester (if equipped). • Check the tire pressure. • Inspect the belts for cracks and wear.
Every 100 hours	<ul style="list-style-type: none"> • Lubricate the deck-lift pivots. • Change the engine oil (more often in dirty or dusty conditions). • Check, clean and gap the spark plug. • Check and clean engine cooling fins and shrouds.
Every 200 hours	<ul style="list-style-type: none"> • Change the engine-oil filter.
Every 250 hours	<ul style="list-style-type: none"> • Replace the primary air filter (more often in dusty or sandy conditions). • Check the safety air filter.
Every 400 hours	<ul style="list-style-type: none"> • Change the hydraulic-system filter and oil.
Every 500 hours	<ul style="list-style-type: none"> • Replace the safety air filter. • Replace the fuel filter (more often in dirty or dusty conditions). • Adjust the caster-pivot bearing. • Check the electric clutch.
Monthly	<ul style="list-style-type: none"> • Check the battery charge.
Yearly	<ul style="list-style-type: none"> • Grease the front caster pivots (more often in dirty or dusty conditions). • Lubricate the caster-wheel hubs. • Check the torque on the wheel lug nuts.
Yearly or before storage	<ul style="list-style-type: none"> • Paint chipped surfaces. • Check all maintenance procedures listed above before storage.

Important: Refer to your engine operator's manual for additional maintenance procedures.

⚠ CAUTION

If you leave the key in the ignition switch, someone could accidentally start the engine and seriously injure you or other bystanders.

Remove the key from the ignition before you do any maintenance.

Lubrication

Grease more frequently when operating conditions are extremely dusty or sandy.

Grease Type: No. 2 lithium or molybdenum-based grease

1. Disengage the blade-control switch (PTO), move the motion-control levers to the NEUTRAL-LOCK position, and set the parking brake.
2. Stop the engine, remove the key, and wait for all moving parts to stop before leaving the operating position.
3. Clean the grease fittings with a rag.

Note: Make sure to scrape any paint off the front of the fitting(s).

4. Connect a grease gun to the fitting, and pump grease into the fittings until grease begins to ooze out of the bearings.
5. Wipe up any excess grease.

Adding Light Oil or Spraying Lubrication

Service Interval: Every 100 hours

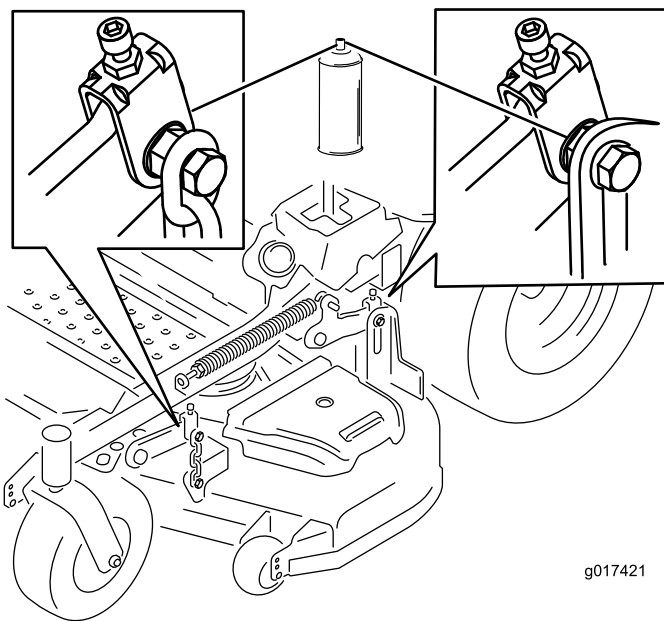


Figure 33

Greasing the Mower

Service Interval: Every 50 hours—Grease the mower deck idler arm.

Yearly—Grease the front caster pivots (more often in dirty or dusty conditions).

1. Disengage the blade-control switch (PTO), move the motion-control levers to the NEUTRAL-LOCK position, and set the parking brake.
2. Stop the engine, remove the key, and wait for all moving parts to stop before leaving the operating position.
3. Grease the mower deck idler-pulley pivot until grease comes out of the bottom (Figure 34).

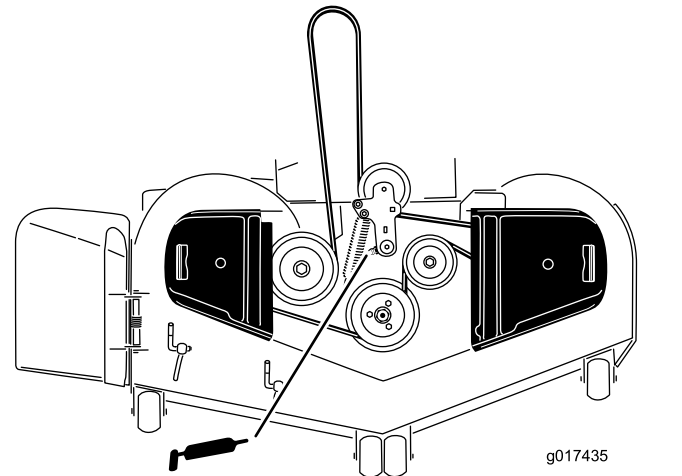


Figure 34

4. Remove the dust cap and adjust the caster pivots.

Note: Keep the dust cap off until greasing is done; refer to [Adjusting the Caster-Pivot Bearing \(page 46\)](#).

5. Remove the hex plug.
6. Thread a grease fitting into the hole.
7. Pump grease into the fitting until it oozes out around the top bearing.
8. Remove the grease fitting in the hole.
9. Install the hex plug and dust cap (Figure 35).

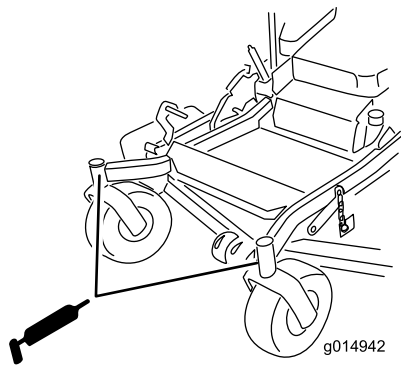


Figure 35

g014942

Lubricating the Caster-Wheel Hubs

Service Interval: Yearly

1. Stop the engine, wait for all moving parts to stop, remove the key, and engage the parking brake.

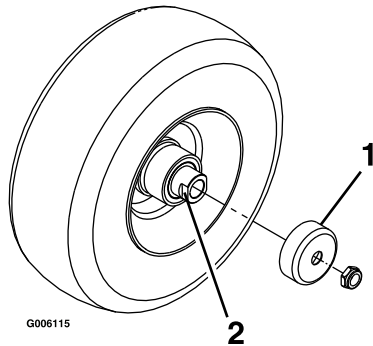


Figure 36

g006115

1. Seal guard
2. Spacer nut with wrench flats

2. Remove the caster wheel from the caster forks.
3. Remove the seal guards from the wheel hub.
4. Remove a spacer nut from the axle assembly in the caster wheel.

Note: Thread-locking compound has been applied to lock the spacer nuts to the axle.

5. Remove the axle (with the other spacer nut still assembled to it) from the wheel assembly.
6. Pry out seals and inspect bearings for wear or damage and replace if necessary.
7. Pack the bearings with a general-purpose grease.
8. Insert 1 bearing and 1 new seal into the wheel.

Note: Replace the seals.

9. If both spacer nuts have been removed (or broken loose) from the axle assembly, apply a

thread-locking compound to 1 spacer nut and thread it onto the axle with the wrench flats facing outward.

Note: Do not thread the spacer nut all of the way onto the end of the axle. Leave approximately 3 mm (1/8 inch) from the outer surface of the spacer nut to the end of the axle inside the nut.

10. Insert the assembled nut and axle into the wheel on the side with the new seal and bearing.
11. With the open end of the wheel facing up, fill the area inside the wheel around the axle full of general-purpose grease.
12. Insert the second bearing and new seal into the wheel.
13. Apply a thread-locking compound to the second spacer nut and thread it onto the axle with the wrench flats facing outward.
14. Torque the nut to 8 to 9 N·m (75 to 80 in-lb), loosen the nut, then torque it to 2 to 3 N·m (20 to 25 in-lb).

Note: Make sure that the axle does not extend beyond either nut.

15. Install the seal guards over the wheel hub and insert wheel into the caster fork.
16. Install the caster bolt and tighten the nut fully.

Important: To prevent seal and bearing damage, check the bearing adjustment often. Spin the caster tire. The tire should not spin freely (more than 1 or 2 revolutions) or have any side play. If the wheel spins freely, adjust the torque on the spacer nut until there is a slight amount of drag. Apply another layer of thread-locking compound.

Engine Maintenance

⚠ WARNING

Contact with hot surfaces may cause personal injury.

Keep hands, feet, face, clothing and other body parts away the muffler and other hot surfaces.

Servicing the Air Cleaner

Service Interval: Every 250 hours—Replace the primary air filter (more often in dusty or sandy conditions).

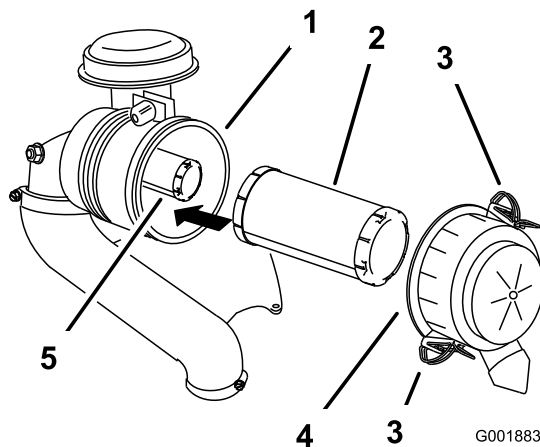
Every 250 hours—Check the safety air filter.

Every 500 hours—Replace the safety air filter.

Note: Check the filters more frequently if the operating conditions are extremely dusty or sandy.

Removing the Filters

1. Disengage the blade-control switch (PTO), move the motion-control levers to the NEUTRAL-LOCK position, and set the parking brake.
2. Stop the engine, remove the key, and wait for all moving parts to stop before leaving the operating position.
3. Release the latches on the air cleaner and pull the air-cleaner cover off the air-cleaner body (Figure 37).



g001883

Figure 37

- | | |
|---------------------|----------------------|
| 1. Air-cleaner body | 4. Air-cleaner cover |
| 2. Primary filter | 5. Safety filter |
| 3. Latch | |

4. Clean the inside of the air-cleaner cover with compressed air.

5. Gently slide the primary filter out of the air-cleaner body (Figure 37).

Note: Avoid knocking the filter into the side of the body.

- Remove the safety filter only if you intend to replace it.

Important: Do not attempt to clean the safety filter. If the safety filter is dirty, then the primary filter is damaged. Replace both filters.

- Inspect the primary filter for damage by looking into the filter while shining a bright light on the outside of the filter.

Note: Holes in the filter appear as bright spots. If the filter is damaged, discard it.

Servicing the Primary Filter

- If the primary filter is dirty, bent, or damaged, replace it.
- Do not clean the primary filter.

Servicing the Safety Filter

Replace the safety filter, never clean it.

Important: Do not attempt to clean the safety filter. If the safety filter is dirty, then the primary filter is damaged. Replace both filters.

Installing the Filters

Important: To prevent engine damage, always operate the engine with both air filters and the cover installed.

- If installing new filters, check each filter for shipping damage.

Note: Do not use a damaged filter.
- If you are replacing the safety filter, carefully slide it into the filter body (Figure 37).
- Carefully slide the primary filter over the safety filter (Figure 37).

Note: Ensure that the primary filter is fully seated by pushing on its outer rim while installing it.

Important: Do not press on the soft inside area of the filter.

- Install the air-cleaner cover with the side indicated as **up** facing upward and secure the latches (Figure 37).

Servicing the Engine Oil

Oil Type: Detergent oil (API service SF, SG, SH, SJ, or SL)

Crankcase Capacity: with a filter change, 2.1 L (71 oz); without a filter change, 1.8 L (61 oz)

Viscosity: See the table below.

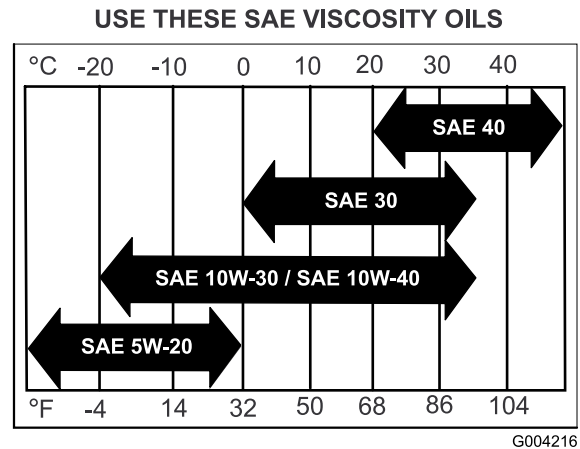


Figure 38

Note: Use of multi-grade oils (5W-20, 10W-30, or 10W-40) will increase oil consumption. Check the oil level more frequently when using them.

Checking the Engine-Oil Level

Service Interval: Before each use or daily

Note: Check the oil when the engine is cold.

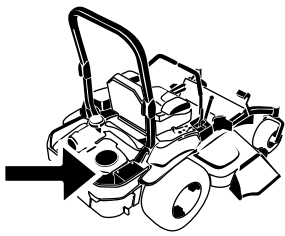
⚠ WARNING

Contact with hot surfaces may cause personal injury.

Keep hands, feet, face, clothing, and other body parts away from the muffler and other hot surfaces.

Important: Do not overfill the crankcase with oil because that could damage engine. Do not run engine with oil below the Low mark because the engine may be damaged.

- Disengage the blade-control switch (PTO), move the motion-control levers to the NEUTRAL-LOCK position, and set the parking brake.
- Stop the engine, remove the key, and wait for all moving parts to stop before leaving the operating position (Figure 39).



Changing the Engine Oil

Service Interval: After the first 8 hours

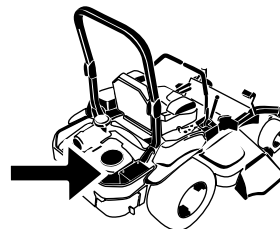
Every 100 hours (more often in dirty or dusty conditions).

Note: Dispose of the used oil at a recycling center.

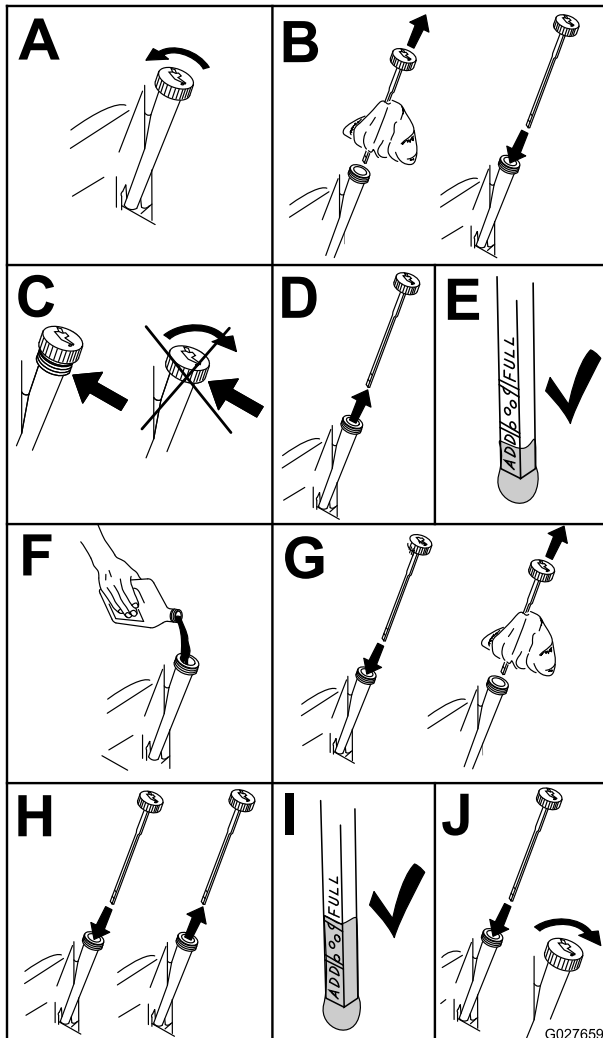
1. Start the engine and let it run for 5 minutes.

Note: This warms the oil so that it drains better.

2. Park the machine so that the rear is slightly lower than the front to ensure that the oil drains completely.
3. Disengage the blade-control switch (PTO), move the motion-control levers to the NEUTRAL-LOCK position, and set the parking brake.
4. Stop the engine, remove the key, and wait for all moving parts to stop before leaving the operating position (Figure 40).

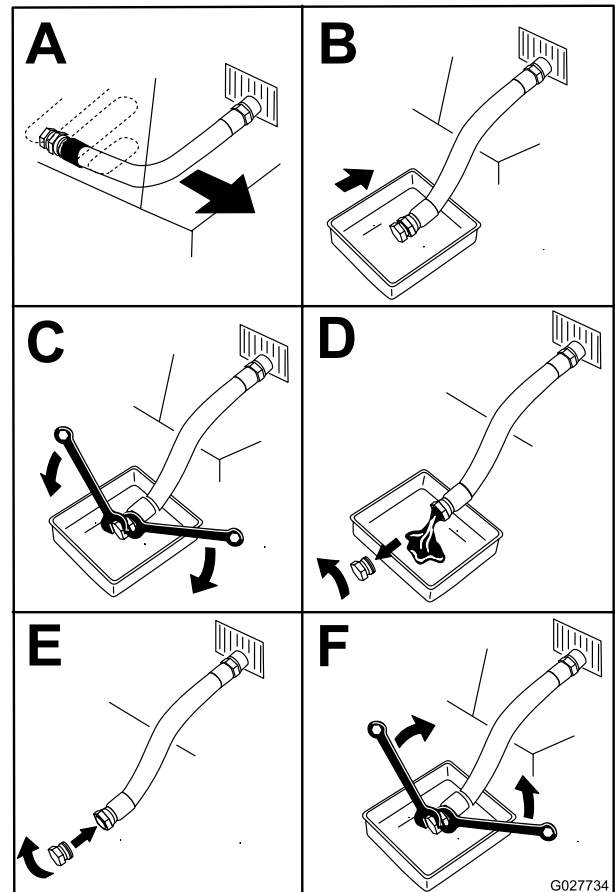


G008804
g008804



G027659
g027659

Figure 39



G027734

Figure 40

g027734

- Slowly pour approximately 80% of the specified oil into the filler tube and slowly add the additional oil to bring it to the **Full** mark (Figure 41).

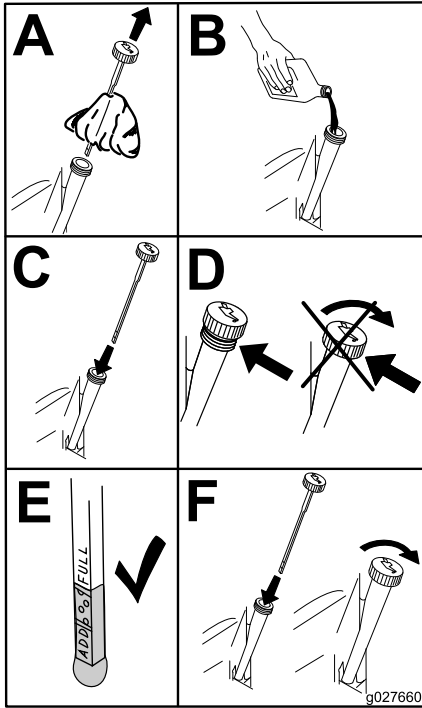


Figure 41

g027660

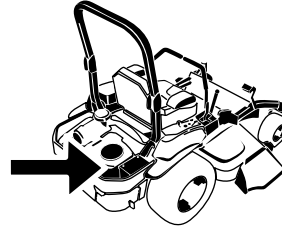
- Start the engine and drive to a flat area.
- Check the oil level again.

Changing the Engine-Oil Filter

Service Interval: Every 200 hours

Note: Change the engine-oil filter more frequently when operating conditions are extremely dusty or sandy.

- Drain the oil from the engine; refer to [Changing the Engine Oil \(page 38\)](#).
- Change the engine-oil filter (Figure 42).



G008804
g008804

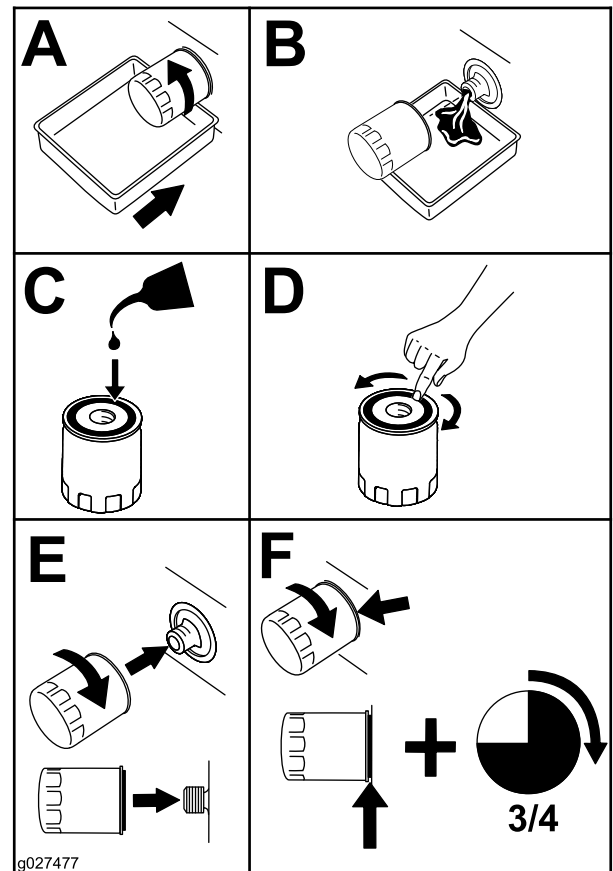


Figure 42

g027477

g027477

Note: Ensure that the oil-filter gasket touches the engine, and then the oil filter an extra 3/4 turn.

- Fill the crankcase with the proper type of new oil; refer to [Changing the Engine Oil \(page 38\)](#).

Servicing the Spark Plug

Service Interval: Every 100 hours

Make sure that the air gap between the center and side electrodes is correct before installing the spark plug. Use a spark plug wrench for removing and installing the spark plug(s) and a gapping tool/feeler gauge to check and adjust the air gap. Install a new spark plug(s) if necessary.

Type of Spark Plug: NGK® BPR4ES or equivalent

Air Gap: 0.75 mm (0.03 inch)

Removing the Spark Plug

1. Stop the engine, remove the key, and wait for all moving parts to stop before leaving the operating position.
2. Disengage the blade-control switch (PTO), move the motion-control levers to the NEUTRAL-LOCK position, and set the parking brake.
3. Locate and remove the spark plugs (Figure 43).

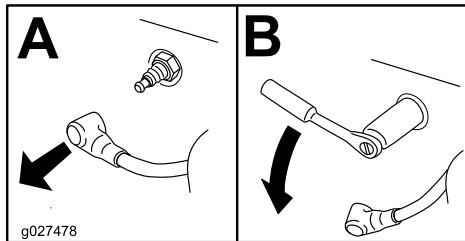
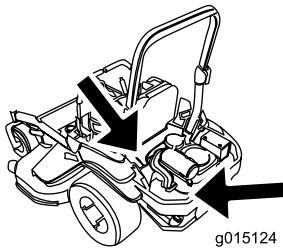


Figure 43

Checking the Spark Plug

Important: Do not clean the spark plug(s). Always replace the spark plug(s) when it has: a black coating, worn electrodes, an oily film, or cracks.

If you see light brown or gray on the insulator, the engine is operating properly. A black coating on the insulator usually means the air cleaner is dirty.

Set the gap to 0.76 mm (0.03 inch).

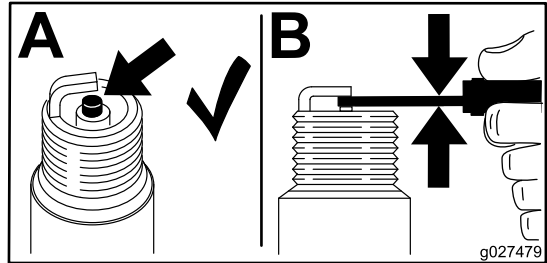


Figure 44

Installing the Spark Plug

Tighten the spark plug(s) to 22 N·m (16 ft·lb).

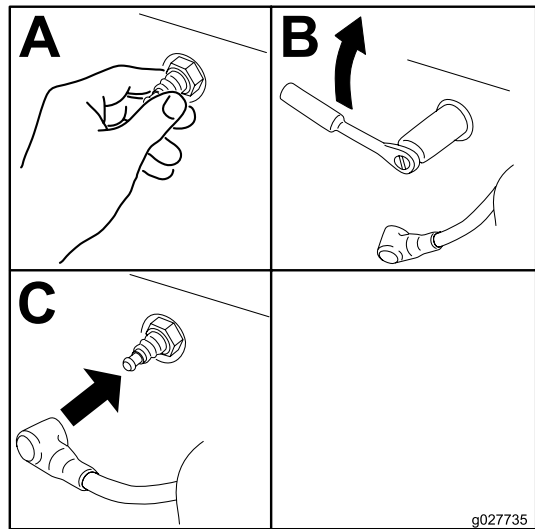


Figure 45

Checking the Spark Arrester

For a Model with a Spark Arrester

Service Interval: Every 50 hours

⚠ WARNING

Hot exhaust system components may ignite gasoline vapors even you shut off the engine. Hot particles exhausted during engine operation may ignite flammable materials. Fire may result in personal injury or property damage.

Do not refuel or run the engine unless a spark arrester is installed.

1. Stop engine, wait for all moving parts to stop, and remove key. Engage parking brake.
2. Wait for muffler to cool.
3. If there are any breaks in the screen or welds, replace the arrester.
4. If the screen is plugged, remove the arrester and shake the loose particles out of the arrester and clean the screen with a wire brush (soak it in solvent if necessary). Install the arrester on the exhaust outlet.

Fuel System Maintenance

Replacing the Fuel Filter

Service Interval: Every 500 hours/Yearly (whichever comes first) (more often in dirty or dusty conditions).

The fuel filter is located near the engine on the front or rear side of the engine.

1. Disengage the blade-control switch (PTO), move the motion-control levers to the NEUTRAL-LOCK position, and set the parking brake.
2. Stop the engine, remove the key, and wait for all moving parts to stop before leaving the operating position.
3. Allow the machine to cool down.
4. Stop the engine, remove the key, and wait for all moving parts to stop before leaving the operating position.
5. Close the fuel-shutoff valve under the seat (Figure 46).

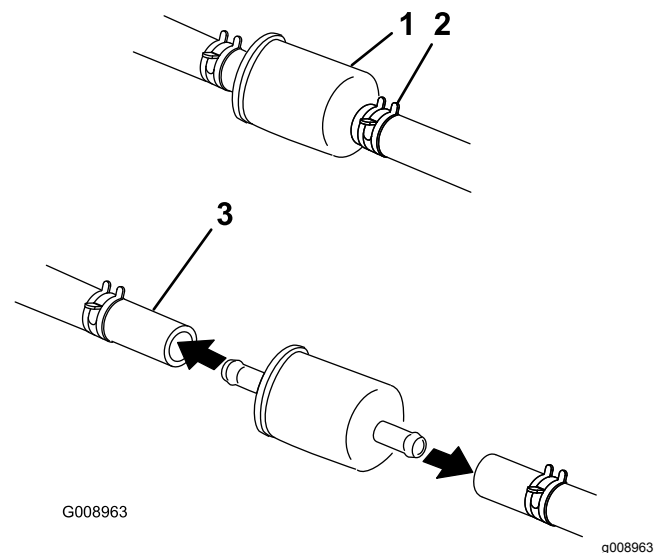


Figure 46

1. Fuel filter
2. Hose clamp
3. Fuel-shutoff valve

6. Squeeze the ends of the hose clamps together and slide them away from the filter (Figure 46).
7. Remove the filter from the fuel lines.
8. Install a new filter and move the hose clamps close to the filter (Figure 46).
9. Open the fuel-shutoff valve.

Important: Install the fuel line hoses and secure with plastic ties the same as they were originally

installed at the factory to keep the fuel line away from components that can cause fuel line damage.

Servicing the Fuel Tank

Do not attempt to drain the fuel tank. Ensure that an Authorized Service Dealer drains the fuel tank and services any components of the fuel system.

Electrical System Maintenance

Servicing the Battery

Service Interval: Monthly

WARNING

CALIFORNIA Proposition 65 Warning

Battery posts, terminals, and related accessories contain lead and lead compounds, chemicals known to the State of California to cause cancer and reproductive harm. *Wash hands after handling.*

⚠ DANGER

Battery electrolyte contains sulfuric acid, which is a deadly poison and causes severe burns.

Do not drink electrolyte and avoid contact with skin, eyes, or clothing. Wear safety glasses to shield your eyes and wear rubber gloves to protect your hands.

Removing the Battery

⚠ WARNING

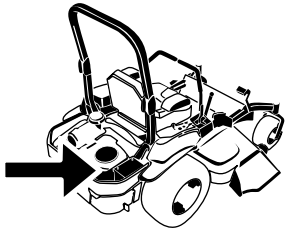
Battery terminals or metal tools could short against metal machine components, causing sparks. Sparks can cause the battery gasses to explode, resulting in personal injury.

- When removing or installing the battery, do not allow the battery terminals to touch any metal parts of the machine.
- Do not allow metal tools to short between the battery terminals and metal parts of the machine.

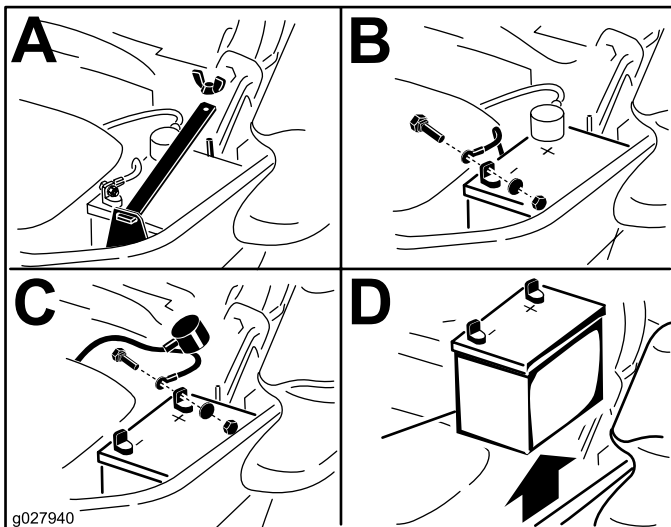
⚠ WARNING

Incorrect battery cable routing could damage the machine and cables, causing sparks. Sparks can cause the battery gasses to explode, resulting in personal injury.

- Always disconnect the negative (black) battery cable before disconnecting the positive (red) cable.
 - Always connect the positive (red) battery cable before connecting the negative (black) cable.
1. Disengage the blade-control switch (PTO), move the motion-control levers to the NEUTRAL-LOCK position, and set the parking brake.
 2. Stop the engine, remove the key, and wait for all moving parts to stop before leaving the operating position.
 3. Disconnect the negative battery cable (black) from the negative (-) battery terminal (Figure 47).
 4. Slide the red terminal boot off the positive (red) battery terminal, and remove the positive (+) battery cable (Figure 47).
 5. Remove the wing nut securing the battery clamp (Figure 47).
 6. Remove the clamp (Figure 47).
 7. Remove the battery.



G008804
g008804



g027940

g027940

Figure 47

Installing the Battery

1. Position the battery in the tray with the terminal posts opposite from the hydraulic tank (Figure 47).
2. Install the positive (red) battery cable to the positive (+) battery terminal.
3. Install the negative (black) battery cable and ground wire to the negative (-) battery terminal.
4. Secure the cables with 2 bolts, 2 washers, and 2 locknuts (Figure 47).
5. Slide the red terminal boot onto the positive (+) battery terminal.
6. Install the clamp and secure it with the wing nut (Figure 47).

Charging the Battery

⚠ WARNING

Charging the battery produces gasses that can explode.

Never smoke near the battery and keep sparks and flames away from battery.

Important: Always keep the battery fully charged (1.265 specific gravity). This is especially important to prevent battery damage when the temperature is below 0°C (32°F).

1. Charge battery for 10 to 15 minutes at 25 to 30 A or for 30 minutes at 10 A.
2. When the battery is fully charged, unplug the charger from the electrical outlet, then disconnect the charger leads from the battery posts (Figure 48).
3. Install the battery in the machine and connect the battery cables; refer to [Installing the Battery](#) (page 43).

Note: Do not run the machine with the battery disconnected; electrical damage may occur.

Drive System Maintenance

Checking the Seat Belt

Service Interval: Before each use or daily

Inspect the seat belt for wear, cuts, and proper operation of the retractor and buckle. Replace the seat belt if it is damaged.

Checking the Rollover-Protection-System (ROPS) Knobs

Service Interval: Before each use or daily

⚠ WARNING

To avoid injury or death from rollover: keep the roll bar in the fully raised locked position and use the seat belt.

Ensure that the seat is secured to the machine.

Check that both the mounting hardware and the knobs are in good working condition. Make sure that the knobs are fully engaged with the ROPS in the raised position. The upper hoop of the roll bar may need to be pushed forward or pulled rearward to fully engage both knobs (Figure 50).

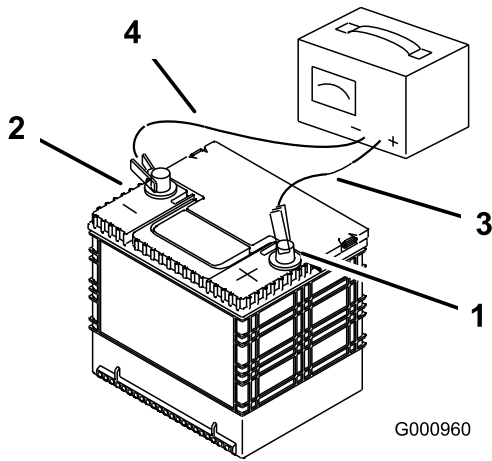


Figure 48

1. Positive battery post
2. Negative battery post
3. Red (+) charger lead
4. Black (-) charger lead

Servicing the Fuses

The electrical system is protected by fuses. It requires no maintenance, however, if a fuse blows check the component and circuit for a malfunction or short.

The fuses are located on the right console next to the seat (Figure 49).

1. To replace the fuses, pull out the fuse to remove it.
2. Install a new fuse (Figure 49).

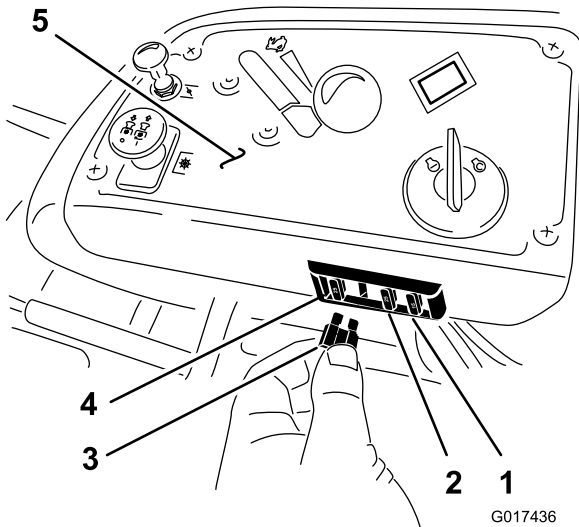


Figure 49

1. Optional accessory—15 A
2. Charge—25 A
3. PTO—10 A
4. Main—25 A
5. Console

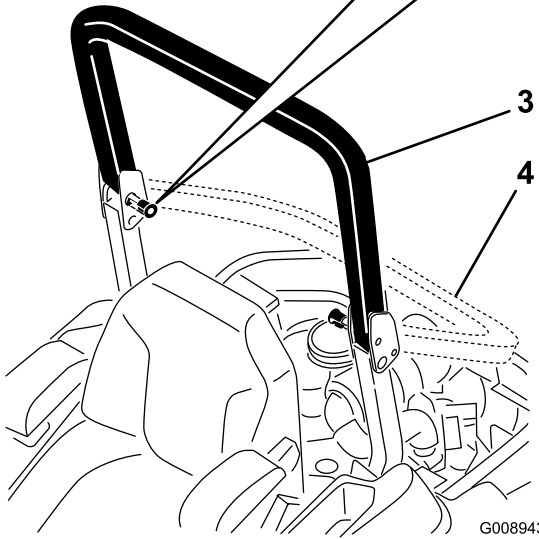
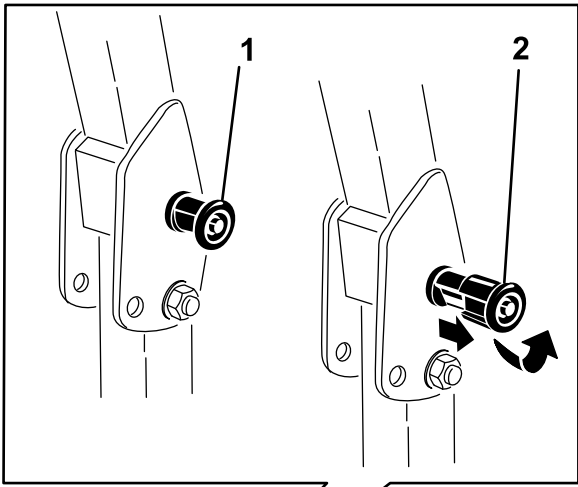


Figure 50

1. ROPS knob (locked position)
2. Pull the ROPS knob out, and rotate it 90 degrees to change the roll bar position.
3. Roll bar in the upright position
4. Roll bar in the folded position

G008943

g008943

Adjusting the Tracking

1. Disengage the blade-control switch (PTO).
2. Drive to an open, flat area and move the motion-control levers to the NEUTRAL-LOCK position.
3. Move the throttle midway between the FAST and SLOW positions.
4. Move both motion-control levers forward until they both hit the stops in the T-slot.
5. Check which way the machine tracks.
6. If the machine tracks to the right, loosen the bolts and adjust the left stop plate rearward on the left T-slot until the machine tracks straight (Figure 51).
7. If the machine tracks to the left, loosen the bolts and adjust the right stop plate rearward on the right T-slot until the machine tracks straight (Figure 51).
8. Tighten the stop plate (Figure 51).

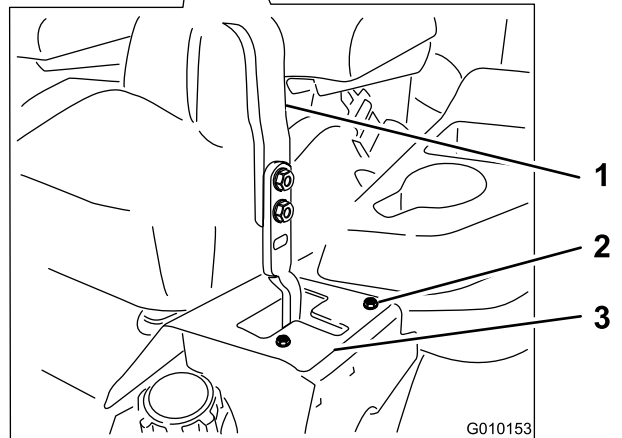
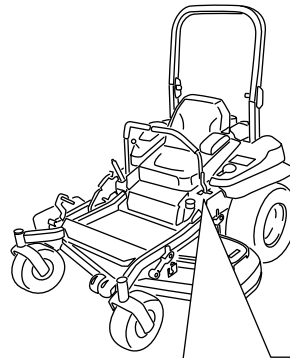


Figure 51

Left control lever shown

1. Control lever
2. Bolt
3. Stop plate

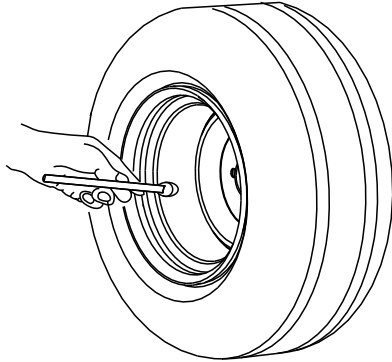
G010153

g010153

Checking the Tire Pressure

Service Interval: Every 50 hours/Monthly (whichever comes first)

Maintain the air pressure in the front and rear tires at 90 kPa (13 psi). Uneven tire pressure can cause uneven cut. Check the tires when they are cold to get the most accurate pressure reading.



G001055

Figure 52

g001055

Checking the Wheel Lug Nuts

Service Interval: After the first 8 hours
Yearly

Check and torque the wheel lug nuts to 122 to 136 N·m (90 to 100 ft·lb).

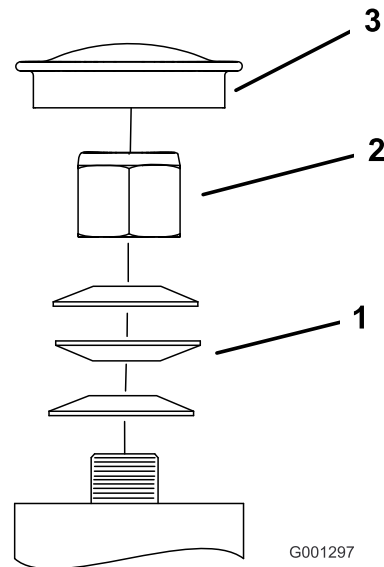
Adjusting the Caster-Pivot Bearing

Service Interval: Every 500 hours/Yearly (whichever comes first)

1. Disengage the blade-control switch (PTO), move the motion-control levers to the NEUTRAL-LOCK position, and set the parking brake.
2. Stop the engine, remove the key, and wait for all moving parts to stop before leaving the operating position.
3. Remove the dust cap from caster and tighten the locknut (Figure 53).
4. Tighten the locknut until the spring washers are flat, and then back off a 1/4 turn to properly set the preload on the bearings (Figure 53).

Important: Make sure that the spring washers are installed correctly as shown in Figure 53.

5. Install the dust cap (Figure 53).



G001297

Figure 53

g001297

1. Spring washers
2. Locknut
3. Dust cap

Adjusting the Electric Clutch

Service Interval: Every 500 hours—Check the electric clutch.

The clutch is adjustable to ensure proper engagement and proper braking.

1. Insert a 0.38 to 0.53 mm (0.015 to 0.02 inch) feeler gauge through an inspection slot in the side of the assembly.

Note: Make sure that it is between the armature and the rotor-friction surfaces.

Note: The gap needs to be at least 0.38 mm (0.015 inch), and not more than 0.53 mm (0.02 inch).

2. If adjustment is needed, then set at 0.38 mm (0.015 inch) for each of the 3 adjustment slot positions.
3. Tighten the locknuts until there is a slight binding on the feeler gauge, but it can be moved easily within the air gap (Figure 54).
4. Repeat this for the remaining slots.
5. Check each slot again and make slight adjustments until the feeler gauge between the rotor and armature with very slight contact between them.

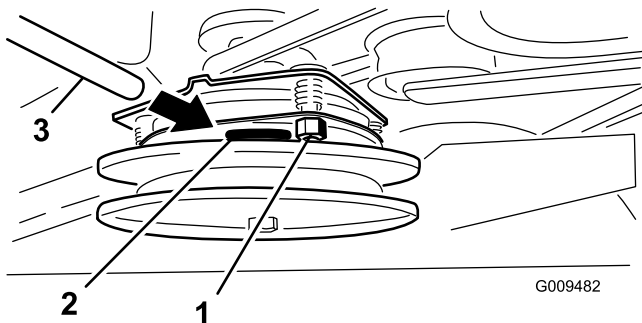


Figure 54

- | | |
|------------------|-----------------|
| 1. Adjusting nut | 3. Feeler gauge |
| 2. Slot | |

Cooling System Maintenance

Cleaning the Engine Screen

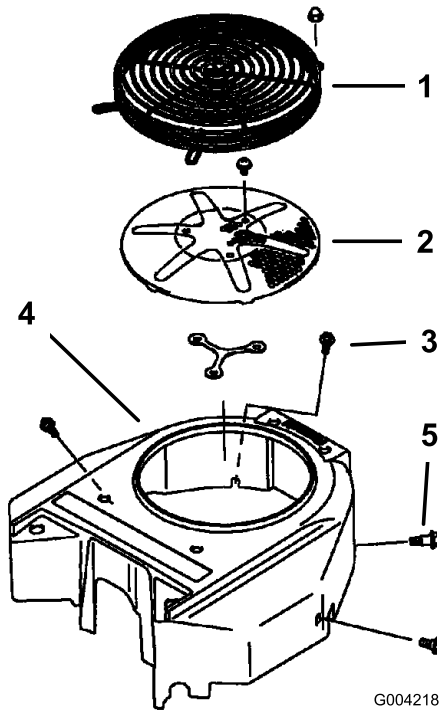
Service Interval: Before each use or daily

Before each use remove any buildup of grass, dirt, or other debris from the engine screen. This helps ensure adequate cooling and correct engine speed and reduces the possibility of overheating and mechanical damage to the engine (Figure 55).

Cleaning the Engine Cooling Fins and Shrouds

Service Interval: Every 100 hours/Yearly (whichever comes first)

1. Disengage the blade-control switch (PTO) and set the parking brake.
2. Stop the engine, remove the key, and wait for all moving parts to stop before leaving the operating position.
3. Remove the air intake screen, recoil starter and fan housing (Figure 55).
4. Clean the debris and grass from the engine parts.
5. Install the air-intake screen, recoil starter, and fan housing (Figure 55).



G004218

g004218

Figure 55

- 1. Engine guard
- 2. Engine air-intake screen
- 3. Bolt
- 4. Fan housing
- 5. Screw

Belt Maintenance

Inspecting the Belts

Service Interval: Every 50 hours

Replace the belt if it is worn. The signs of a worn belt include squealing while the belt is rotating; the blades slipping while cutting grass; and frayed edges, burn marks, and cracks on the belt.

Replacing the Mower Belt

1. Disengage the blade-control switch (PTO), move the motion-control levers to the NEUTRAL-LOCK position, and set the parking brake.
2. Stop the engine, remove the key, and wait for all moving parts to stop before leaving the operating position.
3. Lower the mower to the 76 mm (3 inch) height-of-cut.
4. Remove the belt covers (Figure 56).

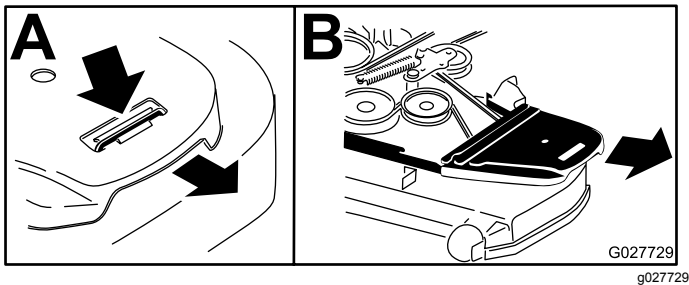


Figure 56

5. Use a ratchet in the square hole in the idler arm to remove tension on the idler spring (Figure 57).
6. Remove the belt from the mower-deck pulleys.
7. Remove the belt guide on the spring-loaded idler arm (Figure 57).
8. Remove the existing belt.
9. Install the new belt around the mower pulleys and the clutch pulley under the engine (Figure 57).

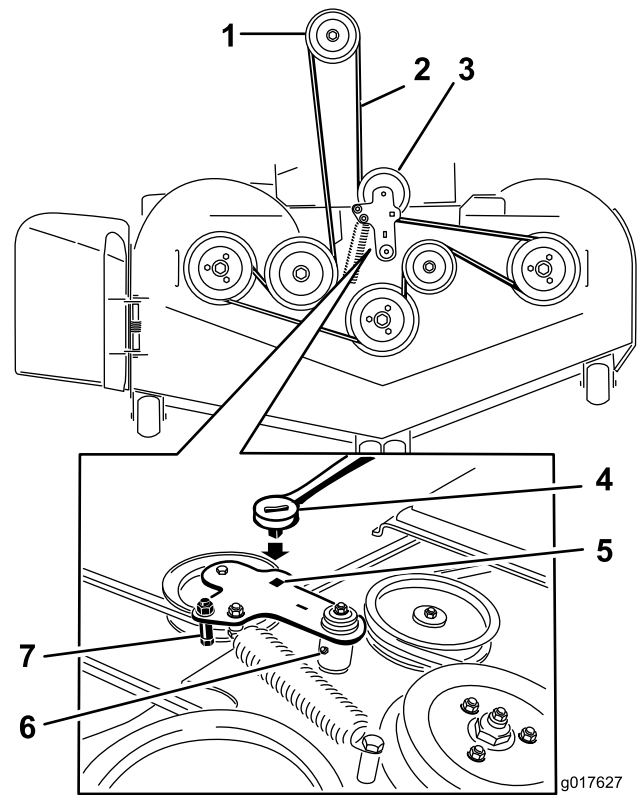


Figure 57

- | | |
|-------------------------------|---|
| 1. Clutch pulley | 5. Square hole in the idler arm for the ratchet |
| 2. Mower belt | 6. Idler-grease fitting |
| 3. Spring-loaded idler pulley | 7. Belt guide |
| 4. Ratchet | |
-
10. Install the belt guide on the idler arm (Figure 57).
 11. Using the ratchet in the square hole, install the idler spring (Figure 57).

Note: Make sure to seat the spring ends in the anchor grooves.

12. Install the belt covers (Figure 58).

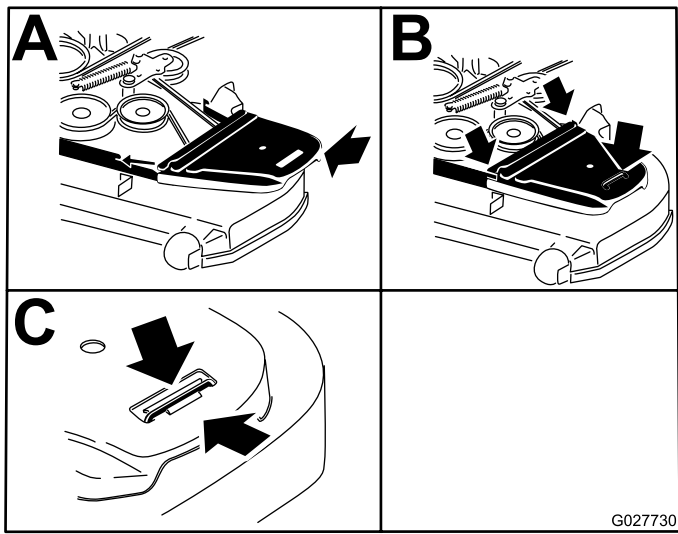


Figure 58

G027730
g027730

8. Install the new belt around the engine pulley and the 2 drive pulleys.

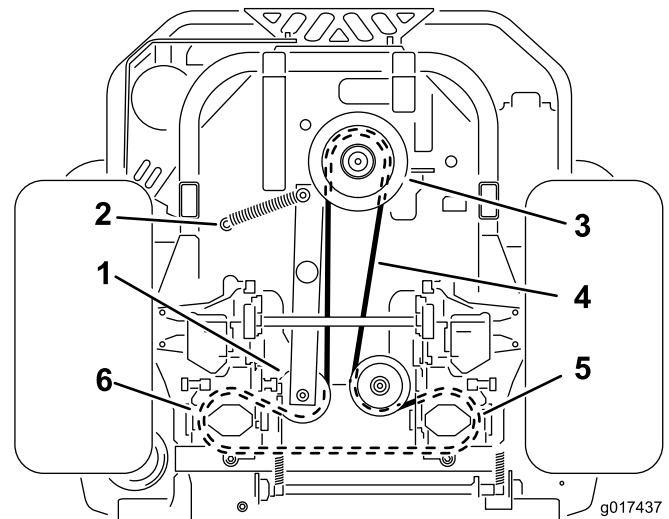


Figure 60

g017437
g017437

- | | |
|----------------------|--------------------------------|
| 1. Idler pulley | 4. Pump-drive belt |
| 2. Idler-spring post | 5. Right hydraulic-pump pulley |
| 3. Engine pulley | 6. Left hydraulic-pump pulley |

Replacing the Hydraulic Pump-Drive Belt

1. Disengage the blade-control switch (PTO) and set the parking brake.
2. Stop the engine, remove the key, and wait for all moving parts to stop before leaving the operating position.
3. Remove the mower belt; refer to [Replacing the Mower Belt \(page 49\)](#).
4. Raise the machine and support it with jack stands ([Figure 60](#)).
5. Remove the clutch stop ([Figure 59](#)).

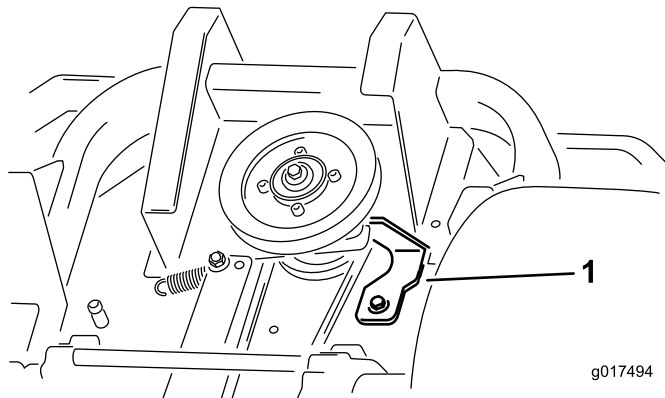


Figure 59

g017494
g017494

1. Clutch stop

6. Remove the idler spring from the post ([Figure 60](#)).
7. Remove the existing belt from the hydraulic-unit-drive pulleys and the engine pulley.

9. Install the clutch stop ([Figure 59](#)).
10. Install the mower belt; refer to [Replacing the Mower Belt \(page 49\)](#).

Controls System Maintenance

Adjusting the Control-Handle Position

There are 2 height positions for the control levers—high and low. Remove the bolts to adjust the height.

1. Disengage the blade-control switch (PTO), move the motion-control levers to the NEUTRAL-LOCK position, and set the parking brake.
2. Stop the engine, remove the key, and wait for all moving parts to stop before leaving the operating position.
3. Loosen the bolts and flange nuts installed in the levers (Figure 61).
4. Align the levers in the front-to-rear position by bringing the levers together to the NEUTRAL position, slide them until they are aligned, and tighten the bolts (Figure 61).

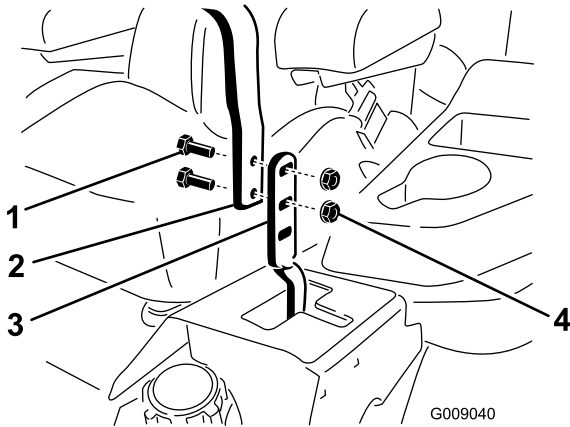


Figure 61

- | | |
|-----------|------------------|
| 1. Bolt | 3. Control lever |
| 2. Handle | 4. Nut |

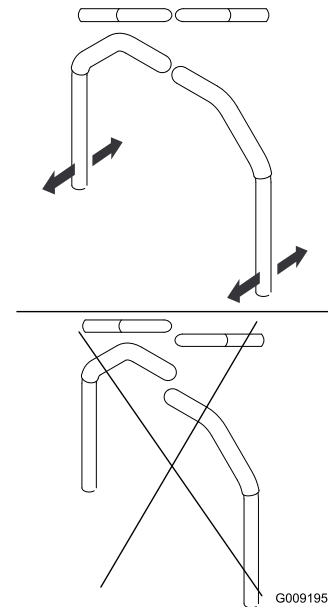


Figure 62

5. If the ends of the levers hit against each other, refer to [Adjusting the Motion-Control Neutral-Lock Pivot](#) (page 54).

Adjusting the Motion-Control Linkage

Located on either side of the fuel tank, below the seat are the pump-control linkages. Rotating the pump linkage with a 1/2 inch wrench allows fine-tuning adjustments, so that the machine does not move in neutral. Any adjustments should be made for neutral positioning only.

⚠ WARNING

The engine must be running and the drive wheels must be turning, so the motion-control adjustment can be performed. Contact with moving parts or hot surfaces may cause personal injury.

Keep your fingers, hands, and clothing clear of rotating components and hot surfaces.

1. Prior to starting the engine, push the deck-lift pedal, remove the height-of-cut pin, and lower the deck to the ground.
2. Raise the rear of machine up and support with jack stands (or equivalent support) just high enough to allow the drive wheels to turn freely.
3. Move the seat to the furthest rear position to expose the front nuts.
4. Loosen the front nuts.

Note: You do not need to remove the nuts.

5. Move the seat to the furthest forward position to expose the rear nuts.
6. Loosen the rear nuts.

Note: The nuts do not need to be removed.

7. Slide the seat and seat plate forward to allow the front nuts to go through the key hole (Figure 63).

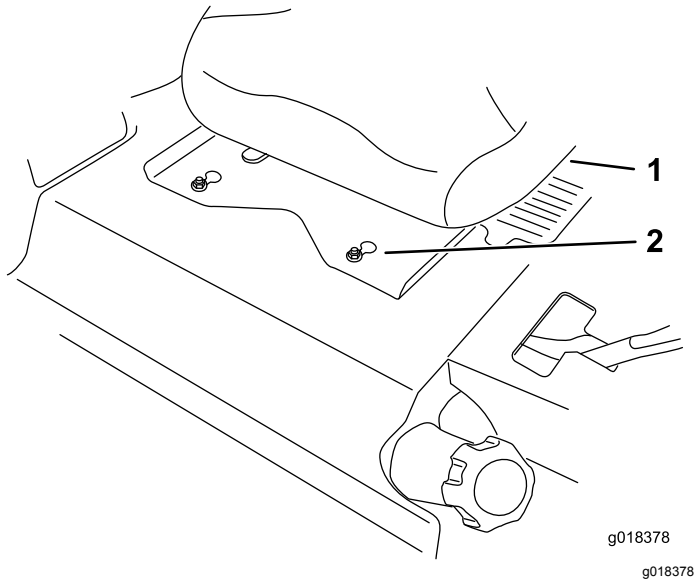


Figure 63

1. Seat
2. Front nuts with key hole

8. Loosen the bolts holding the seat to the machine, and slide the seat forward in the slots to remove the seat.
9. Unplug the harness connector from the seat switch located under the seat (Figure 64).

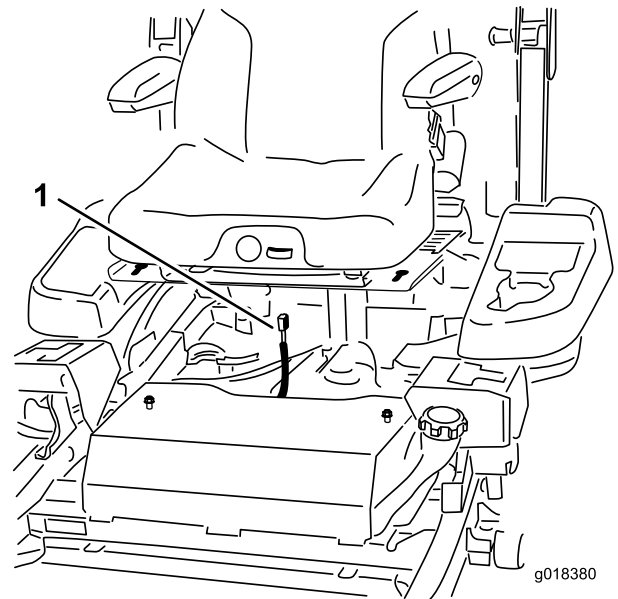


Figure 64

1. Harness connector

10. **Temporarily** install a jumper wire across the terminals in the connector of the main wiring harness.

11. Start the engine, run the engine at full throttle, and release the brake.

Important: Engage the parking brake and move the motion-control levers out before starting the engine. You do not need to be in the seat because of the jumper wire being used.

12. Run the machine at least 5 minutes with the drive levers at full forward speed to bring the hydraulic oil up to operating temperature.

Note: The motion-control lever needs to be in neutral while making any necessary adjustments.

13. Bring the motion-control levers into the NEUTRAL position.
14. Adjust the pump-control rods by loosening the 2 jam nuts and rotating the adjustment nut in the appropriate direction until the wheels slightly creep in reverse (Figure 65).
15. Move the motion-control levers to the REVERSE position, and while applying slight pressure to the lever, allow the reverse-indicator springs to bring the levers back to neutral.

Note: The wheels must stop turning or slightly creep in reverse.

16. Tighten the 2 jam nuts against the adjustment nut (Figure 65).

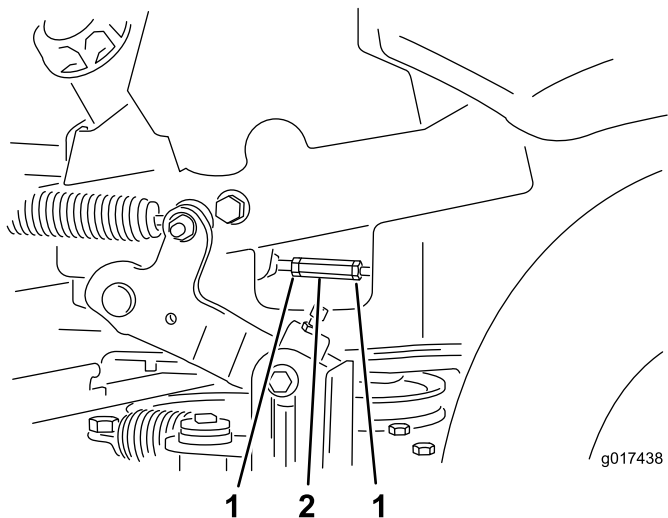


Figure 65

1. Jam nut
2. Adjustment nut

17. Shut off the machine.
18. Remove the jumper wire from the wire harness, and plug the connector into the seat switch.
19. Install the seat.
20. Remove the jack stands.

21. Raise the deck and install the height-of-cut pin.
22. Ensure that the machine does not creep in neutral with the parking brakes disengaged.

Adjusting the Motion-Control Damper

You can adjust the top damper mounting bolt to obtain a more desired motion-control lever resistance. See Figure 66 for mounting options.

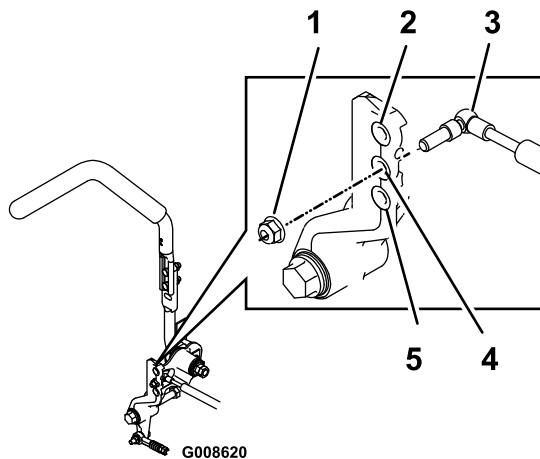


Figure 66

Right Motion Control Shown

1. Torque the locknut to 22.6 N·M (200 in-lb). The bolt must protrude past end of locknut after torque.
2. Most resistance (firmest feel)
3. Damper
4. Medium resistance (medium feel)
5. Least resistance (softest feel)

Adjusting the Motion-Control Neutral-Lock Pivot

You can adjust the flanged nut to obtain the desired motion-control lever resistance when you move them to the NEUTRAL-LOCK position. See [Figure 67](#) for adjustment options.

1. Loosen the jam nut.
2. Tighten or loosen the flanged nut to the desired feel.

Note: For more resistance, tighten the flanged nut.

Note: For less resistance, loosen the flanged nut

3. Tighten the jam nut.

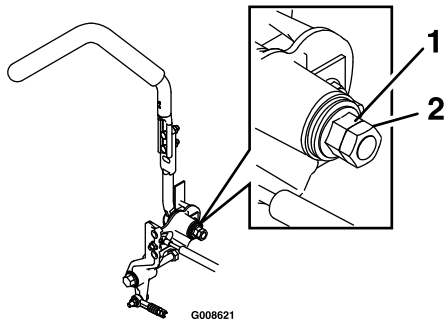


Figure 67

1. Flanged nut
2. Jam nut

Hydraulic System Maintenance

Servicing the Hydraulic System

Hydraulic Oil Type: Toro® HYPR-OIL™ 500 hydraulic oil or 20W-50 engine oil.

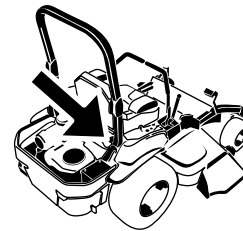
Important: Use oil specified. Other fluids could cause system damage.

Hydraulic System Capacity (with filters removed): 4.45 L (150 oz)

Checking the Hydraulic Oil Level

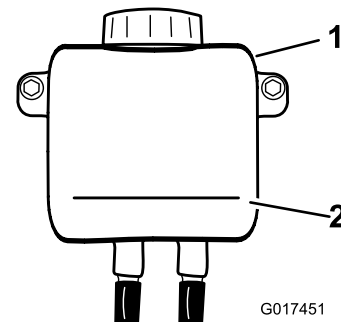
Service Interval: Every 25 hours

1. Allow the hydraulic oil to cool down. Check the oil level when the oil is cold.
2. Check expansion reservoir and if necessary add Toro® HYPR-OIL™ 500 hydraulic oil to the FULL COLD line.



G017452

g017452



G017451

g017451

Figure 68

1. Expansion reservoir
2. FULL COLD line

Changing the Hydraulic-System Filter and Oil

Change the filter and oil at the same time. **Do not** use the oil again. Purge any air in the system after you install the new filter and add oil.

Repeat the bleeding process until the oil remains at the FULL COLD line in the reservoir after purging. **Failure to properly perform this procedure can result in irreparable damage to the transaxle drive system.**

6. Locate and remove the vent plug on each transmission
7. Unscrew the filter to remove it, and allow the oil to drain from drive system.
8. Repeat this procedure for both filters.

Removing Hydraulic-System Filters

1. Stop the engine, wait for all moving parts to stop, allow the engine to cool, remove the key, and engage the parking brake.
2. Locate the filter and guards on each transaxle-drive system (Figure 69).
3. Remove the 3 screws securing the filter guard and guard (Figure 69).

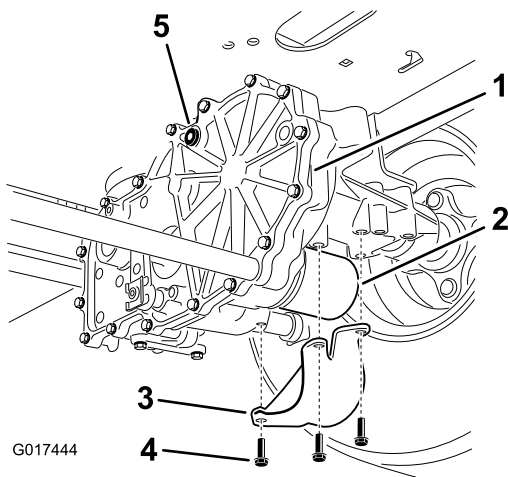


Figure 69
Right side shown

- | | |
|--------------------|--------------|
| 1. Transaxle drive | 4. Screws |
| 2. Oil filter | 5. Vent plug |
| 3. Filter guard | |

4. Carefully clean the area around the filters.

Important: Do not allow dirt to enter the hydraulic system, or contamination may occur.

5. Place a drain pan below the filter to catch the oil that drains when the filter and vent plugs are removed.

Installing the Hydraulic-System Filters

Service Interval: After the first 50 hours

Every 400 hours

1. Apply a thin coat of oil on the surface of the rubber seal of each filter.
2. Turn the filter clockwise until the rubber seal contacts the filter adapter, then tighten the filter an additional 3/4 to 1 full turn.
3. Repeat for the other filter.
4. Install the filter guards over each filter that you previously removed.
5. Use the 3 screws to secure the filter guards.
6. Verify that the vent plugs are removed before adding the oil.
7. Slowly pour the specified oil through the expansion reservoir until oil comes out of 1 of the vent-plug holes.
8. Stop and install that vent plug.
9. Torque the plug to 20 N·m (15 ft-lb).
10. Continue to add oil through the expansion reservoir until oil comes out of the remaining vent-plug hole on the second transmission.
11. Stop and install that vent plug.
12. Torque the plug to 20 N·m (15 ft-lb).
13. Continue to add oil through the expansion reservoir until it reaches the FULL COLD line on the expansion reservoir.
14. Proceed to [Bleeding the Hydraulic System \(page 57\)](#).

Important: Failure to perform the *Bleeding the Hydraulic System* procedure after changing hydraulic filters and oil can result in irreparable damage to the transaxle drive system.

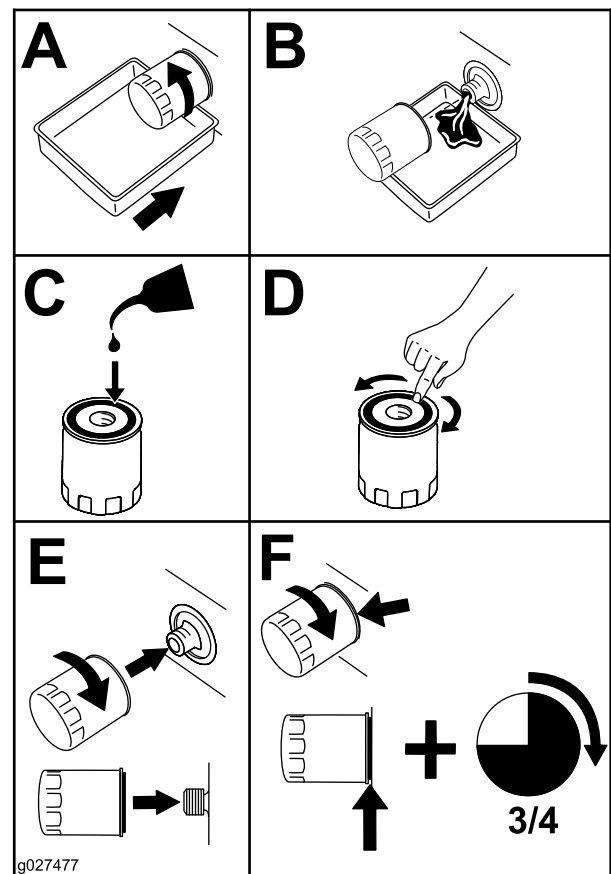


Figure 70

Bleeding the Hydraulic System

1. Raise the rear of machine and support it with jack stands (or equivalent support) just high enough to allow the drive wheels to turn freely.

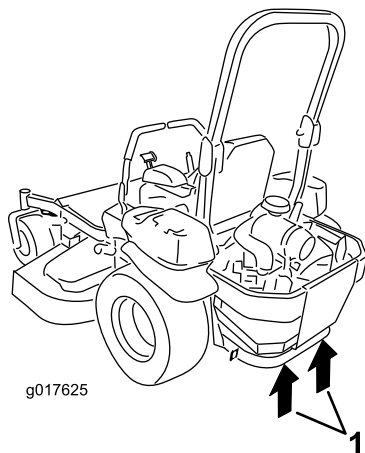


Figure 71

1. Jacking points

2. Start the engine, move the throttle control ahead to the 1/2 throttle position, and disengage the parking brake.
 - A. Move the bypass levers into the pushing the machine position. With the bypass valves open and the engine running, slowly move the motion-control levers in both forward and reverse (5 or 6 times).
 - B. Move the bypass levers into the operating the machine position.
 - C. With the bypass valve closed and the engine running, slowly move the directional control in both forward and reverse directions (5 to 6 times).
 - D. Stop the engine and check the oil level in the expansion reservoir. Add the specified oil as until it reaches the FULL COLD line on the expansion reservoir.
3. Repeat step 2 until all the air is completely purged from the system.

Note: When the transaxle operates at normal noise levels, moves smoothly forward, and reverses at normal speeds, it is purged.

4. Check the oil level in the expansion reservoir a final time. Add the specified oil as until it reaches the FULL COLD line on the expansion reservoir if necessary.

Mower Deck Maintenance

Leveling the Mower Deck

Setting Up the Machine

Note: Ensure that the mower deck is level before matching the height of cut (HOC).

1. Position the mower on a flat surface.
2. Disengage the blade-control switch (PTO), move the motion-control levers to the NEUTRAL-LOCK position, and set the parking brake.
3. Stop the engine, remove the key, and wait for all moving parts to stop before leaving the operating position.
4. Check the pressure of the drive tires.
Note: Proper inflation pressure for the tires is 90 kPa (13 psi).
5. Position the mower deck to the 76 mm (3 inch) height-of-cut position.

Leveling the Deck

1. Position the mower on a flat surface.
2. Stop the engine, wait for all moving parts to stop, remove the key, and engage the parking brake.
3. Check the pressure in the drive tires.
Note: Proper inflation pressure for the tires is 90 kPa (13 psi).
4. Position the transport lock in the latching position.
5. Push the deck-lift pedal all the way forward so the deck latches at the 14 cm (5-1/2 inch) transport position ([Figure 72](#)).

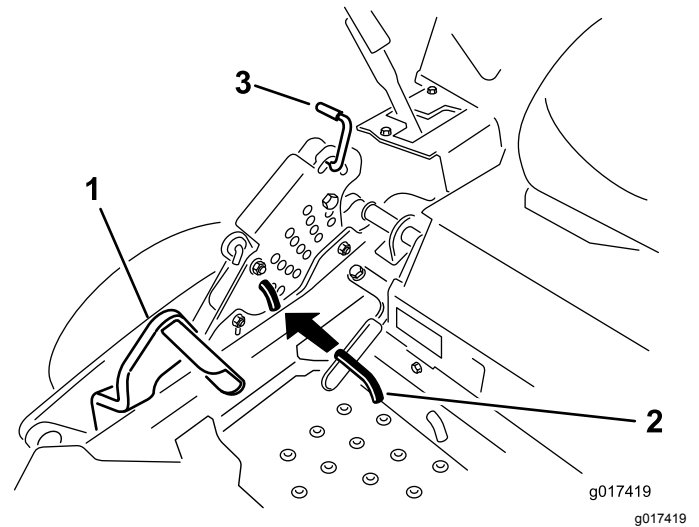


Figure 72

1. Deck-lift pedal
2. Height-of-cut pin
3. Transport lock

6. Insert the height adjustment pin into the 7.6 cm (3 inch) height-of-cut location.
7. Release the transport lock and allow the deck to lower to the cutting height.
8. Raise the discharge chute.
9. On both sides of the deck, measure from the level surface to the front tip of the blade (Position A) as shown in [Figure 73](#).

Note: The measurement should read 7.6 mm (3 inches)

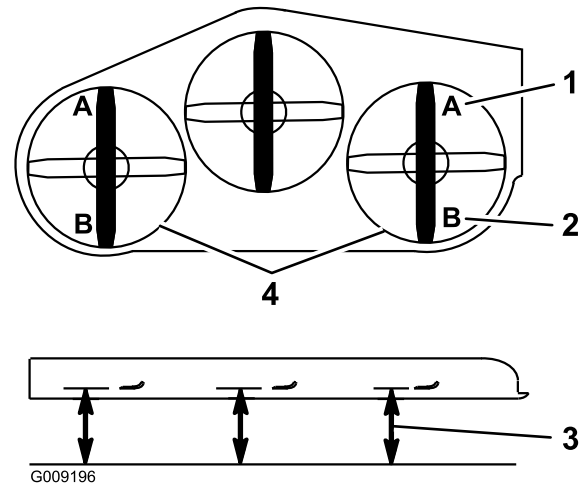


Figure 73

1. 7.6 cm (3 inches) at position A is correct.
2. 8.3 cm (3-1/4 inches) at position B is correct.
3. Measure here from the blade tip to the hard surface.
4. Measure at position A and B on both sides.

10. If needed, loosen the whizlock nut on the side of the yoke and the jam nut on top ([Figure 74](#)).

11. Fine-tune the screw adjuster by turning it to get 7.6 mm (3 inches) height.

Note: To increase the height, turn the adjuster screw clockwise; to decrease the height, turn it counterclockwise.

Note: If the front deck links do not have enough adjustment to achieve accurate cut height, you can utilize the single-point adjustment to gain more adjustment.

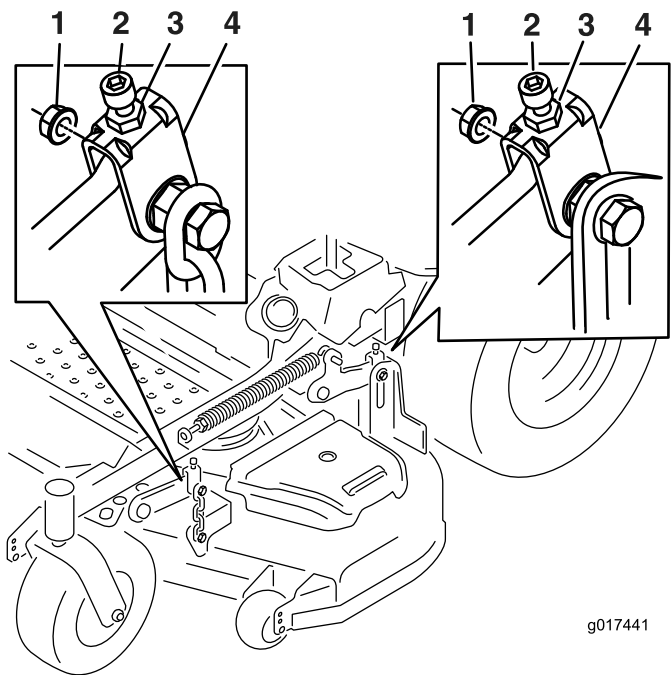


Figure 74

- | | |
|-------------------|------------|
| 1. Whizlock nut | 3. Jam nut |
| 2. Adjuster screw | 4. Yoke |

12. To adjust the single-point system, loosen the 2 bolts at the bottom of the height-of-cut plate (Figure 75).

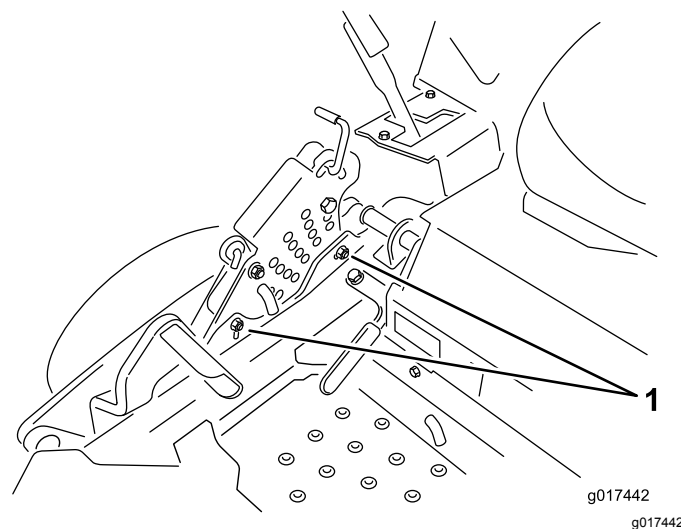


Figure 75

1. Bolts at the bottom of the height-of-cut plate

13. If the deck is too low, tighten the single-point adjustment bolt by rotating it clockwise. If the deck is too high, loosen the single-point adjustment bolt by rotating it counterclockwise (Figure 76).

Note: Loosen or tighten the single-point adjustment bolt enough to move the height-of-cut plate mounting bolts at least 1/3 the length of the available travel in their slots. This regains some up and down adjustment on each of the 4 deck links.

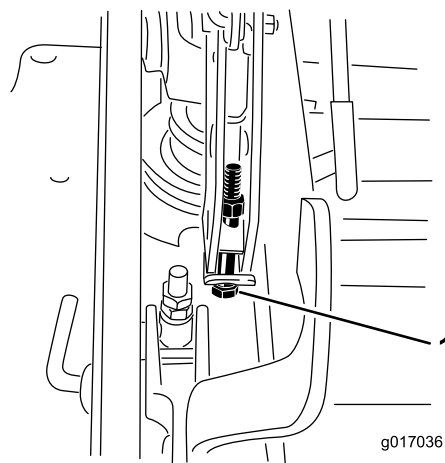


Figure 76

1. Single-point adjustment bolt

14. Tighten the 2 bolts at the bottom of the height-of-cut plate (Figure 75).

Note: For most conditions, adjust the back blade tip 4 mm (1/4 inch) higher than the front.

15. Torque the 2 bolts to 37 to 45 N·m (27 to 33 ft·lb).

- On both sides of the deck, measure from the level surface to the back tip of the blade (position B) as shown in [Figure 73](#).

Note: The measurement should read 8.3 cm (3-1/4 inches)

- Fine-tune the screw adjuster by turning it to get 8.3 mm (3-1/4 inches) height ([Figure 74](#)).

Note: To increase the height, turn the adjustment nut clockwise; to decrease the height, turn it counterclockwise.

- Measure until all 4 sides are the correct height.
- Tighten all the nuts on the deck-lift-arm assemblies.
- Lower the discharge chute.

Servicing the Cutting Blades

To ensure a superior quality of cut, keep the blades sharp. For convenient sharpening and replacement, keep extra blades on hand.

⚠ WARNING

A worn or damaged blade can break, and a piece of the blade could be thrown at you or bystanders, resulting in serious personal injury or death.

- Inspect the blades periodically for wear or damage.
- Replace a worn or damaged blade.

Before Inspecting or Servicing the Blades

- Park the machine on a level surface, Disengage the blade-control switch (PTO), and set the parking brake.
- Turn the ignition key to off. Remove the key, and disconnect the spark plug wires from the spark plugs.

Inspecting the Blades

Service Interval: Before each use or daily

- Inspect the cutting edges ([Figure 77](#)).
- If the edges are not sharp or have nicks, remove and sharpen the blade; refer to [Removing the Blades \(page 61\)](#) and [Sharpening the Blades \(page 61\)](#).
- Inspect the blades, especially in the curved area.
- If you notice any cracks, wear, or a slot forming in this area, immediately install a new blade ([Figure 77](#)).

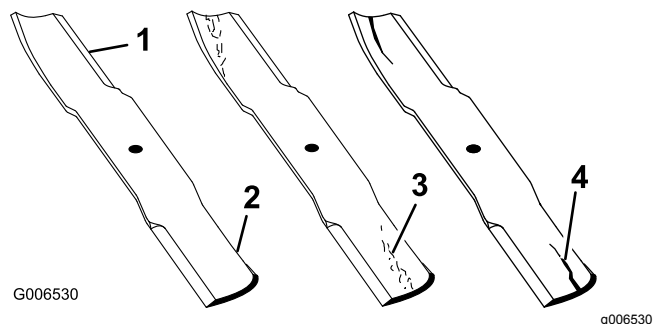


Figure 77

- | | |
|-----------------|----------------------|
| 1. Cutting edge | 3. Wear/slot forming |
| 2. Curved area | 4. Crack |

Checking for Bent Blades

1. Disengage the blade-control switch (PTO), move the motion-control levers to the NEUTRAL-LOCK position, and set the parking brake.
2. Stop the engine, remove the key, and wait for all moving parts to stop before leaving the operating position.
3. Rotate the blades until the ends face forward and backward (Figure 78).
4. Measure from a level surface to the cutting edge, position A, of the blades (Figure 78).

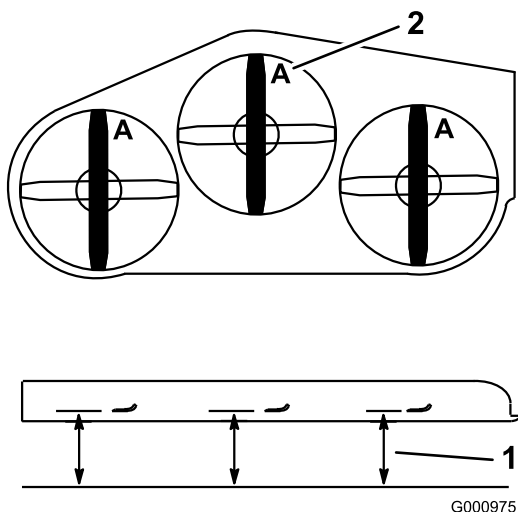


Figure 78

1. Measure here from blade to hard surface
2. Position A

5. Rotate the opposite ends of the blades forward.
6. Measure from a level surface to the cutting edge of the blades at the same position as in step 4.

Note: The difference between the dimensions obtained in steps 4 and 5 must not exceed 3 mm (1/8 inch).

Note: If this dimension exceeds 3 mm (1/8 inch), the blade is bent and must be replaced.

⚠ WARNING

A blade that is bent or damaged could break apart and could seriously injure or kill you or bystanders.

- Always replace bent or damaged blade with a new blade.
- Do not file or create sharp notches in the edges or surfaces of the blade.

Removing the Blades

Replace a blade if it hits an object, if the blade is out of balance, or if the blade is bent. To ensure optimum performance and continued safety conformance of the machine, use genuine Toro replacement blades. Replacement blades made by other manufacturers may result in nonconformance with safety standards.

1. Hold the blade end using a rag or a thickly padded glove.
2. Remove the blade bolt, curved washer, and blade from the spindle shaft (Figure 79).

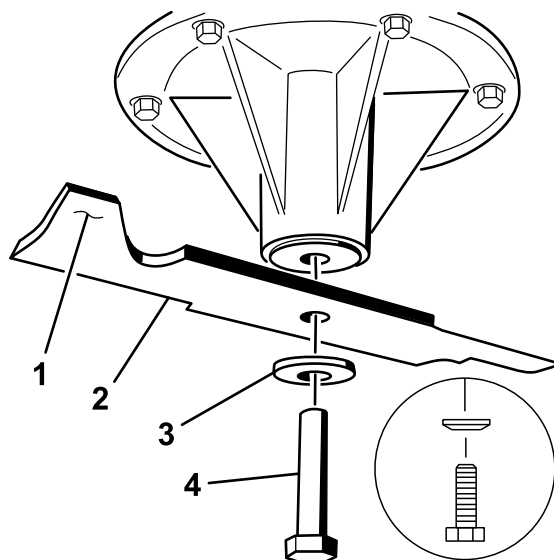


Figure 79

1. Sail area of the blade
2. Blade
3. Curved washer
4. Blade bolt

Sharpening the Blades

1. Use a file to sharpen the cutting edge at both ends of the blade (Figure 80).

Note: Maintain the original angle.

Note: The blade retains balance if you remove the same amount of material from both cutting edges.

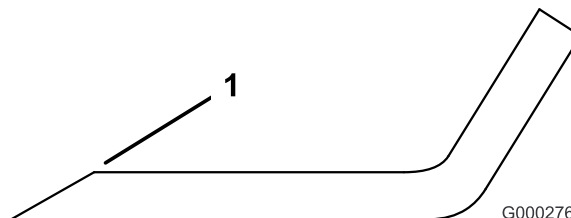


Figure 80

1. Sharpen at the original angle

2. Check the balance of the blade by putting it on a blade balancer (Figure 81).

Note: If the blade stays in a horizontal position, the blade is balanced and ready to use.

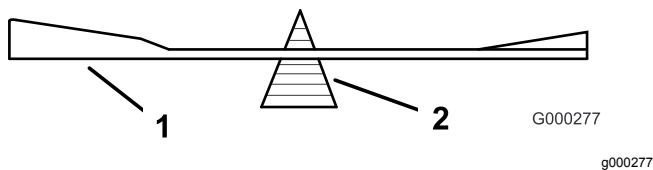


Figure 81

1. Blade
2. Balancer

3. If the blade is not balanced, file some metal off the end of the sail area only (Figure 79).
4. Repeat this procedure until the blade is balanced.

Installing the Blades

1. Install the blade onto the spindle shaft (Figure 82).

Important: The curved part of the blade must point upward toward the inside of the mower to ensure proper cutting.

2. Install the spring disk and blade bolt (Figure 82).

Note: Install the spring-disk cone toward the bolt head.

3. Torque the blade bolt to 115 to 150 N·m (85 to 110 ft-lb).

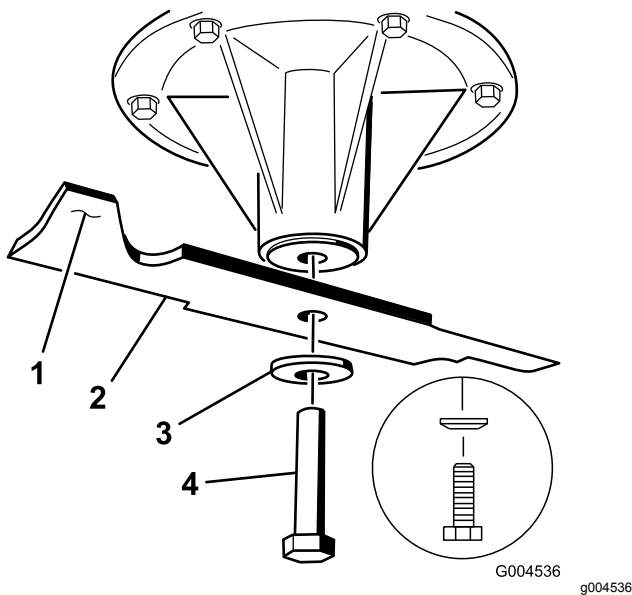


Figure 82

1. Sail area of the blade
2. Blade
3. Spring disk
4. Blade bolt

Removing the Mower Deck

Before servicing or removing the mower deck, lock out the spring-loaded deck arms.

1. Stop the engine, wait for all moving parts to stop, and remove key. Engage the parking brake.
2. Remove the height adjustment pin and lower the deck to the ground.
3. Place the height-adjustment pin in the 7.6 cm (3 inch) cutting-height location.
4. Remove the belt covers.
5. Lift up the floor pan and insert a ratchet into the square hole in the deck idler (Figure 83).
6. Rotate the deck idler clockwise and remove the mower belt (Figure 83).

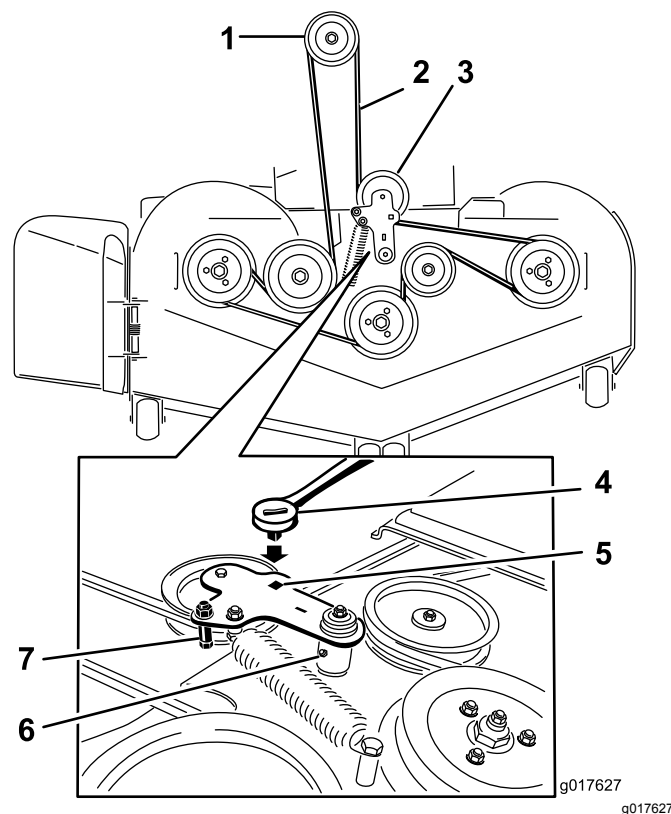


Figure 83

1. Clutch pulley
2. Mower belt
3. Spring-loaded idler pulley
4. Ratchet
5. Square hole in the idler arm for the ratchet
6. Idler grease zerk
7. Belt guide

7. Remove and retain the shoulder bolt and nut of the rear and front deck-lift attachments on both sides of the machine (Figure 84).

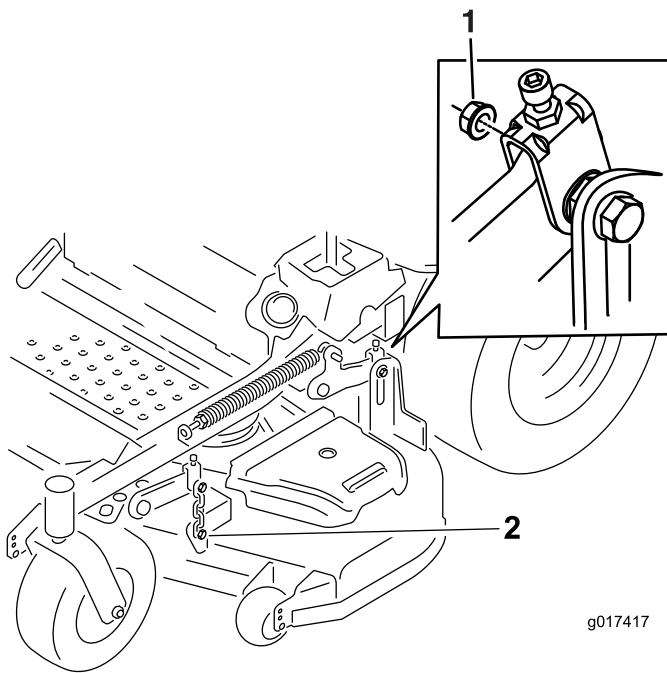
Replacing the Grass Deflector

⚠ WARNING

An uncovered discharge opening could allow the lawn mower to throw objects at you or bystanders, resulting in serious injury. Also, contact with the blade could occur.

Do not operate the lawn mower unless you install a cover plate, mulch plate, grass deflector, or bagger.

1. Remove the locknut, bolt, spring, and spacer holding the deflector to the pivot brackets (Figure 85).
2. Remove the damaged or worn grass deflector (Figure 85).



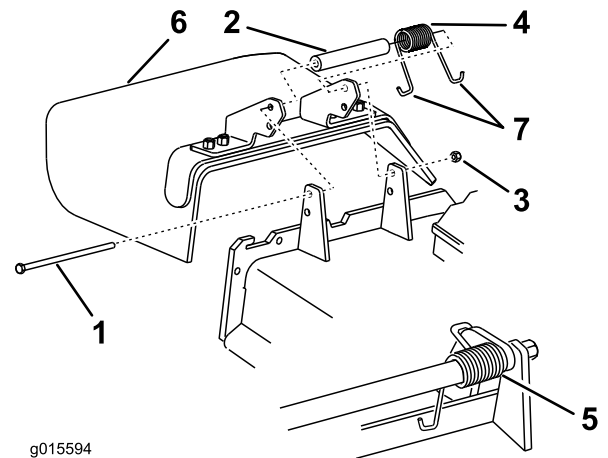
g017417

g017417

Figure 84

1. Remove the shoulder bolt and nut here.
2. Remove the shoulder bolt and nut here.

8. Slide the deck out to the right side of the machine.



g015594

g015594

Figure 85

- | | |
|------------|-------------------------|
| 1. Bolt | 5. Spring installed |
| 2. Spacer | 6. Grass deflector |
| 3. Locknut | 7. J-hook end of spring |
| 4. Spring | |

3. Place the spacer and the spring onto grass deflector.
4. Place 1 J-hook end of the spring behind the deck edge.

Note: Make sure that 1 J-hook end of the spring is installed behind the deck edge before installing the bolt as shown in Figure 85.

5. Install the bolt and the nut.
6. Place 1 J-hook end of the spring around the grass deflector (Figure 85).

Important: The grass deflector must be able to rotate. Lift the deflector up to the full open position and ensure that it rotates into the full down position.

Cleaning

Cleaning under the Mower

Service Interval: Before each use or daily

1. Disengage the blade-control switch (PTO), move the motion-control levers to the NEUTRAL-LOCK position, and set the parking brake.
2. Stop the engine, remove the key, and wait for all moving parts to stop before leaving the operating position.
3. Raise the mower to the TRANSPORT position.

Disposing of Waste

Engine oil, batteries, hydraulic oil, and engine coolant are pollutants to the environment. Dispose of these according to your state and local regulations.

Storage

Cleaning and Storage

1. Disengage the blade-control switch (PTO), set the parking brake, and turn the ignition key to Off. Remove the key.
2. Remove grass clippings, dirt, and grime from the external parts of the entire machine, especially the engine and hydraulic system. Clean dirt and chaff from the outside of the engine-cylinder-head fins and blower housing.

Important: You can wash the machine with mild detergent and water. Do not pressure-wash the machine. Avoid excessive use of water, especially near the control panel, engine, hydraulic pumps, and motors.

3. Check the brake.
4. Service the air cleaner; refer to [Servicing the Air Cleaner \(page 36\)](#).
5. Grease the machine; refer to [Lubrication \(page 34\)](#).
6. Change the crankcase oil; refer to [Changing the Engine Oil \(page 38\)](#).
7. Check the tire pressure; refer to [Checking the Tire Pressure \(page 46\)](#).
8. Change the hydraulic filters; refer to [Changing the Hydraulic-System Filter and Oil \(page 55\)](#).
9. Charge the battery; refer to [Charging the Battery \(page 43\)](#).
10. Scrape any heavy buildup of grass and dirt from the underside of the mower, then wash the mower with a garden hose.

Note: Run the machine with the blade-control switch (PTO) engaged, and the engine at high idle for 2 to 5 minutes after washing.

11. Check the condition of the blades; refer to [Inspecting the Blades \(page 60\)](#).
12. Prepare the machine for storage when non-use occurs over 30 days. Prepare the machine for storage as follows:
 - A. Add a petroleum-based stabilizer/conditioner to fuel in the tank. Follow mixing instructions from the stabilizer manufacturer. Do not use an alcohol based stabilizer (ethanol or methanol).

Note: A fuel stabilizer/conditioner is most effective when mixed with fresh fuel and used at all times.

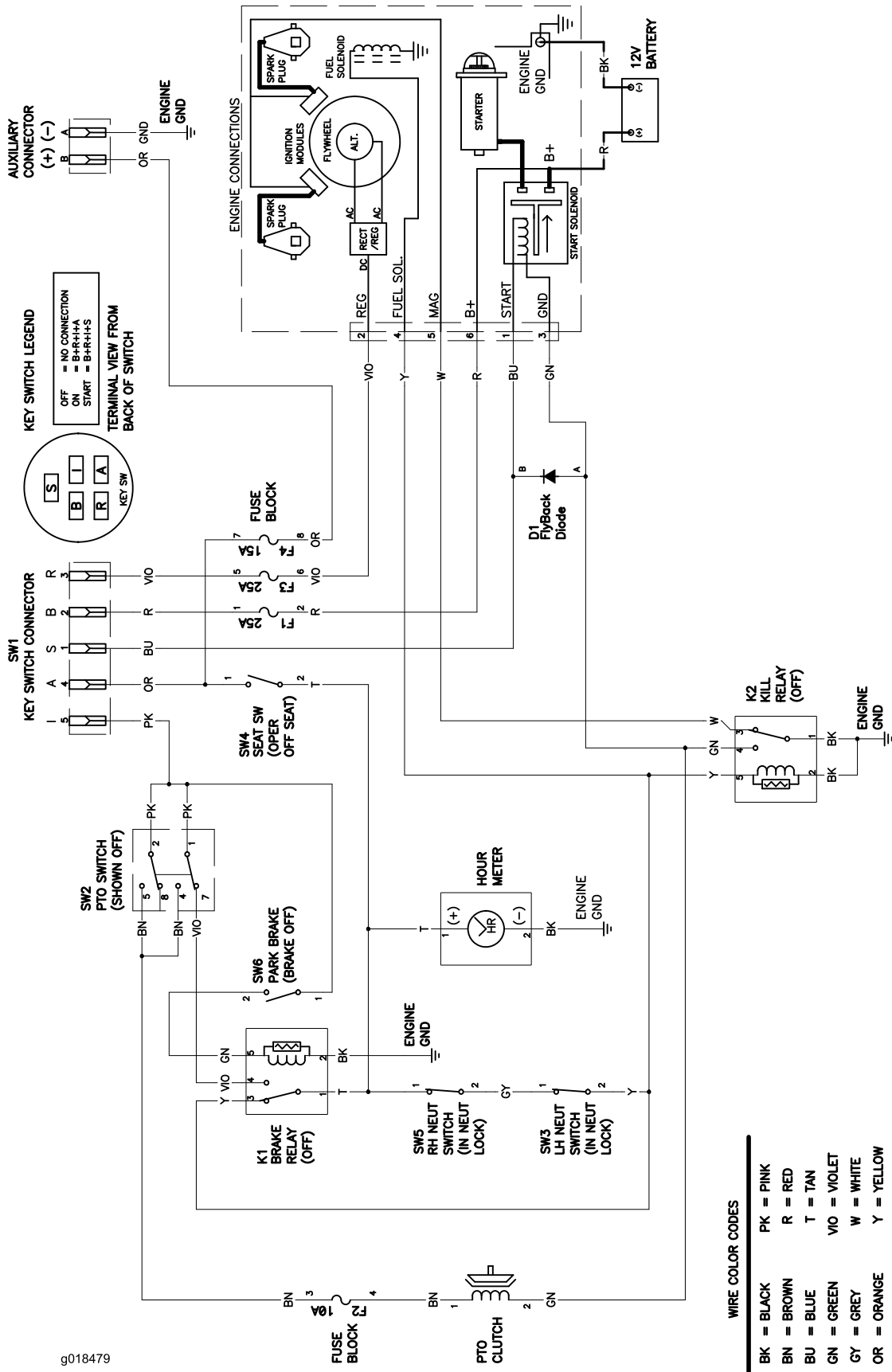
- B. Run the engine to distribute conditioned fuel through the fuel system (5 minutes).
 - C. Stop the engine, allow it to cool, and drain the fuel tank; refer to [Servicing the Fuel Tank \(page 42\)](#).
 - D. Restart the engine and run it until it stops.
 - E. Dispose of fuel properly. Recycle as per local codes.
***Important:* Do not store stabilizer/conditioned fuel over 90 days.**
- 13. Check and tighten all bolts, nuts, and screws. Repair or replace any part that is damaged.
 - 14. Paint all scratched or bare metal surfaces. Paint is available from your Authorized Service Dealer.
 - 15. Store the machine in a clean, dry garage or storage area.
 - 16. Remove the key from the ignition switch and keep it out of reach of children or other unauthorized users.
 - 17. Cover the machine to protect it and keep it clean.

Troubleshooting

Problem	Possible Cause	Corrective Action
The starter does not crank.	<ol style="list-style-type: none"> 1. The blade-control switch (PTO) is engaged. 2. The parking brake is not engaged. 3. The motion-control levers are not in the NEUTRAL-LOCK position. 4. The operator is not seated. 5. The battery is dead. 6. The electrical connections are corroded or loose. 7. The fuse is blown. 8. The relay or switch is worn or damaged. 	<ol style="list-style-type: none"> 1. Move the blade-control switch (PTO) to the disengaged position. 2. Set the parking brake. 3. Ensure that the motion-control levers are in the NEUTRAL-LOCK position. 4. Sit on the seat. 5. Charge the battery. 6. Check the electrical connections for good contact. 7. Replace the fuse. 8. Contact an Authorized Service Dealer.
The engine does not start, starts hard, or fails to keep running.	<ol style="list-style-type: none"> 1. The fuel tank is empty. 2. The fuel-shutoff valve is closed. 3. The oil level in the crankcase is low. 4. The throttle is not in the correct position. 5. There is dirt in the fuel filter. 6. There is dirt, water, or stale fuel in the fuel system. 7. The air cleaner is dirty. 8. The seat switch is not functioning properly. 9. The electrical connections are corroded, loose, or damaged. 10. The relay or switch is worn or damaged. 11. The spark plug is fouled or improperly gapped. 12. The spark-plug wire is not connected. 	<ol style="list-style-type: none"> 1. Fill the fuel tank. 2. Open the fuel-shutoff valve. 3. Add oil to the crankcase. 4. Be sure that the throttle control is midway between the slow and fast positions. 5. Replace the fuel filter. 6. Contact an Authorized Service Dealer. 7. Clean or replace the air-cleaner element. 8. Check the seat-switch indicator. Replace the seat if necessary. 9. Check the electrical connections for good contact. Clean the connector terminals thoroughly with electrical-contact cleaner, apply dielectric grease, and make the appropriate connections. 10. Contact an Authorized Service Dealer. 11. Adjust or replace the spark plug. 12. Check the spark-plug wire connection.
The engine loses power.	<ol style="list-style-type: none"> 1. The engine load is excessive. 2. The air cleaner is dirty. 3. The oil level in the crankcase is low. 4. The cooling fins and the air passages above the engine are plugged. 5. The vent hole in the fuel cap is plugged. 6. There is dirt in the fuel filter. 7. There is dirt, water, or stale fuel in the fuel system. 	<ol style="list-style-type: none"> 1. Reduce the ground speed. 2. Clean the air-cleaner element. 3. Add oil to the crankcase. 4. Remove the obstruction from the cooling fins and the air passages. 5. Clean or replace the fuel cap. 6. Replace the fuel filter. 7. Contact an Authorized Service Dealer.
The engine overheats.	<ol style="list-style-type: none"> 1. The engine load is excessive. 2. The oil level in the crankcase is low. 3. The cooling fins and the air passages above the engine are plugged. 	<ol style="list-style-type: none"> 1. Reduce the ground speed. 2. Add oil to the crankcase. 3. Remove the obstruction from the cooling fins and the air passages.
The mower pulls to the left or right (with levers fully forward)	<ol style="list-style-type: none"> 1. The tracking needs adjustment 2. The tire pressure in the drive tires is not correct. 	<ol style="list-style-type: none"> 1. Adjust the tracking. 2. Adjust the tire pressure in the drive tires.

Problem	Possible Cause	Corrective Action
The machine does not drive.	<ol style="list-style-type: none"> 1. The bypass valves are not closed tight. 2. The pump belt is worn, loose, or broken. 3. The pump belt is off a pulley. 4. The idler spring is broken or missing. 5. The hydraulic oil level is low or too hot. 	<ol style="list-style-type: none"> 1. Tighten the bypass valves. 2. Change the belt. 3. Change the belt. 4. Replace the spring. 5. Add hydraulic oil to the reservoirs or let it cool down.
The machine vibrates abnormally.	<ol style="list-style-type: none"> 1. The cutting blade(s) is/are bent or unbalanced. 2. The blade mounting bolt is loose. 3. The engine mounting bolts are loose. 4. The engine pulley, idler pulley, or blade pulley is loose. 5. The engine pulley is damaged. 6. The blade spindle is bent. 7. The motor mount is loose or worn. 	<ol style="list-style-type: none"> 1. Install new cutting blade(s). 2. Tighten the blade mounting bolt. 3. Tighten the engine mounting bolts. 4. Tighten the appropriate pulley. 5. Contact an Authorized Service Dealer. 6. Contact an Authorized Service Dealer. 7. Contact an Authorized Service Dealer.
The machine produces an uneven cutting height.	<ol style="list-style-type: none"> 1. The blade(s) is/are not sharp. 2. The cutting blade(s) is/are bent. 3. The mower deck is not level. 4. The underside of mower is dirty. 5. The tire pressure is not correct. 6. The blade spindle is bent. 	<ol style="list-style-type: none"> 1. Sharpen the blade(s). 2. Install new cutting blade(s). 3. Level the mower deck from side-to-side and front-to-rear. 4. Clean the underside of the mower. 5. Adjust the tire pressure. 6. Contact an Authorized Service Dealer.
The blades do not rotate.	<ol style="list-style-type: none"> 1. The mower deck belt is worn, loose, or broken. 2. The mower deck belt is off the pulley. 3. The pump drive belt is worn, loose, or broken. 4. The idler spring is broken or missing. 	<ol style="list-style-type: none"> 1. Install a new deck belt. 2. Install the mower deck pulley and check the idler pulley, idler arm, and spring for correct position and function. 3. Check the belt tension or install a new belt. 4. Replace the spring.
The clutch does not engage.	<ol style="list-style-type: none"> 1. The fuse is blown. 2. There is low voltage supply at the clutch. 3. The coil is damaged. 4. There is inadequate current supply. 5. The rotor/armature air gap is too large. 	<ol style="list-style-type: none"> 1. Replace the fuse. Check the coil resistance, battery charge, charging system, and wiring connections, and replace components if necessary. 2. Check the coil resistance, battery charge, charging system, and wiring connections and replace parts if necessary. 3. Replace the clutch. 4. Repair or replace the clutch lead wire or electrical system. Clean the connector contacts. 5. Remove the shim or replace the clutch.

Schematics



g018479

Wire Diagram (Rev. A)

g018479

Notes:

Notes:

Notes:



The Toro Warranty

A Limited Warranty (see warranty periods below)

Landscape
Contractor
Equipment
(LCE)

Conditions and Products Covered

The Toro Company and its affiliate, Toro Warranty Company, pursuant to an agreement between them, jointly promise to the original purchaser to repair the Toro Products listed below if defective in materials or workmanship.

The following time periods apply from the date of purchase:

Products	Warranty Period
21 in. Mowers	2 years Residential Use ¹ 1 year Commercial Use
• Engines ³	Honda – 2 years Kawasaki – 3 years
30 in. Mowers	2 years Residential Use ¹ 1 year Commercial Use
• Engines ³	Kawasaki – 3 years
Mid-Size Walk-Behind Mowers	2 years
• Engines ³	Kawasaki – 3 years
Grand Stand® Mowers	5 years or 1,200 hours ²
• Engines ³	3 years
Z Master® 2000 Series Mowers	4 years or 500 hours ²
• Engines ³	3 years
Z Master® 3000 Series Mowers	5 years or 1,200 hours ²
• Engines ³	3 years
Z Master® 5000 Series Mowers	5 years or 1,200 hours ²
• Engines ³	Kohler Command – 2 years Kohler EFI – 3 years
Z Master® 6000 Series Mowers	5 years or 1,200 hours ²
• Engines ³	Kawasaki – 3 years
Z Master® 7000 Series Mowers	5 years or 1,200 hours ²
• Engines ³	2 years
Z Master® 8000 Series Mowers	2 years or 1,200 hours ²
• Engines ³	2 years
All Mowers	
• Battery	90 days Parts and Labor 1 year Parts only
• Belts and Tires	90 days
• Attachments	1 year

¹Residential use means use of the product on the same lot as your home. Use at more than one location is considered commercial use and the commercial warranty would apply.

²Whichever occurs first.

³Some engines used on Toro Products are warranted by the engine manufacturer.

Instructions for Obtaining Warranty Service

If you think that your Toro Product contains a defect in materials or workmanship, follow this procedure:

- Contact any Authorized Toro Service Dealer to arrange service at their dealership. To locate a dealer convenient to you, access our web site at www.Toro.com. You may also call the numbers listed in item #3 to use the 24-hour Toro Dealer locator system.
- Bring the product and your proof of purchase (sales receipt) to the Service Dealer. The dealer will diagnose the problem and determine if it is covered under warranty.
- If for any reason you are dissatisfied with the Service Dealer's analysis or with the assistance provided, contact us at:

Toro Warranty Company
8111 Lyndale Avenue South
Bloomington, MN 55420-1196
888-865-5676 (U.S. Customers)
888-865-5691 (Canada customers)

Owner Responsibilities

You must maintain your Toro Product by following the maintenance procedures described in the *Operator's Manual*. Such routine maintenance, whether performed by a dealer or by you, is at your expense.

Items and Conditions Not Covered

There is no other express warranty except for special emission system coverage and engine warranty coverage on some products. This express warranty does not cover the following:

- Cost of regular maintenance service or parts, such as filters, fuel, lubricants, oil changes, spark plugs, air filters blade sharpening or worn blades, cable/linkage adjustments, or brake and clutch adjustments
- Components failing due to normal wear
- Any product or part which has been altered or misused or neglected or requires replacement or repair due to accidents or lack of proper maintenance
- Pickup and delivery charges
- Repairs or attempted repairs by anyone other than an Authorized Toro Service Dealer
- Repairs necessary due to failure to follow recommended fuel procedure (consult *Operator's Manual* for more details)
 - Removing contaminants from the fuel system is not covered
 - Use of old fuel (more than one month old) or fuel which contains more than 10% ethanol or more than 15% MTBE
 - Failure to drain the fuel system prior to any period of non-use over one month

General Conditions

All repairs covered by these warranties must be performed by an Authorized Toro Service Dealer using Toro approved replacement parts.

Neither The Toro Company nor Toro Warranty Company is liable for indirect, incidental or consequential damages in connection with the use of the Toro Products covered by this warranty, including any cost or expense of providing substitute equipment or service during reasonable periods of malfunction or non-use pending completion of repairs under this warranty.

All implied warranties of merchantability (that the product is fit for ordinary use) and fitness for use (that the product is fit for a particular purpose) are limited to the duration of the express warranty.

Some states do not allow exclusions of incidental or consequential damages, or limitations on how long an implied warranty lasts, so the above exclusions and limitations may not apply to you.

This warranty gives you specific legal rights, and you may also have other rights which vary from state to state.

Countries Other than the United States or Canada

Customers who have purchased Toro products outside the United States or Canada should contact their Toro Distributor (Dealer) to obtain guarantee policies for your country, province, or state. If for any reason you are dissatisfied with your Distributor's service or have difficulty obtaining guarantee information, contact the Toro importer. If all other remedies fail, you may contact us at Toro Warranty Company.

Australian Consumer Law: Australian customers will find details relating to the Australian Consumer Law either inside the box or at your local Toro Dealer. 374-0252 Rev H