



Count on it.

Parts Catalog

**30in TurfMaster
Walk-Behind Lawn Mower**

Model No. 22210—Serial No. 403600000 and Up



Ordering Replacement Parts

To order replacement parts, please supply the part number, the quantity, and the description of each part desired.

Understanding Reference Numbers

Each identified part in an illustration has a reference number. The reference number for a part also appears in the parts list, along with other information about the part.

This catalog uses two special reference number formats, one to indicate parts in a service assembly and another to indicate the quantity of a given part in an illustration.

Service Assembly Reference Numbers

Parts in service assemblies have reference numbers in the form a:b. The a represents the reference number of the entire service assembly and the b represents a sequential number unique to each part within the service assembly.

For example, a wheel assembly might be identified by reference number 6, the tire by 6:1, the valve by 6:2, and the wheel by 6:3. When you order the assembly identified by reference number 6, you receive all parts identified by reference numbers 6:1, 6:2, and 6:3. However, you may also order any part individually. Reference numbers of this type appear in illustration and in parts lists.

Reference Numbers Indicating Quantity

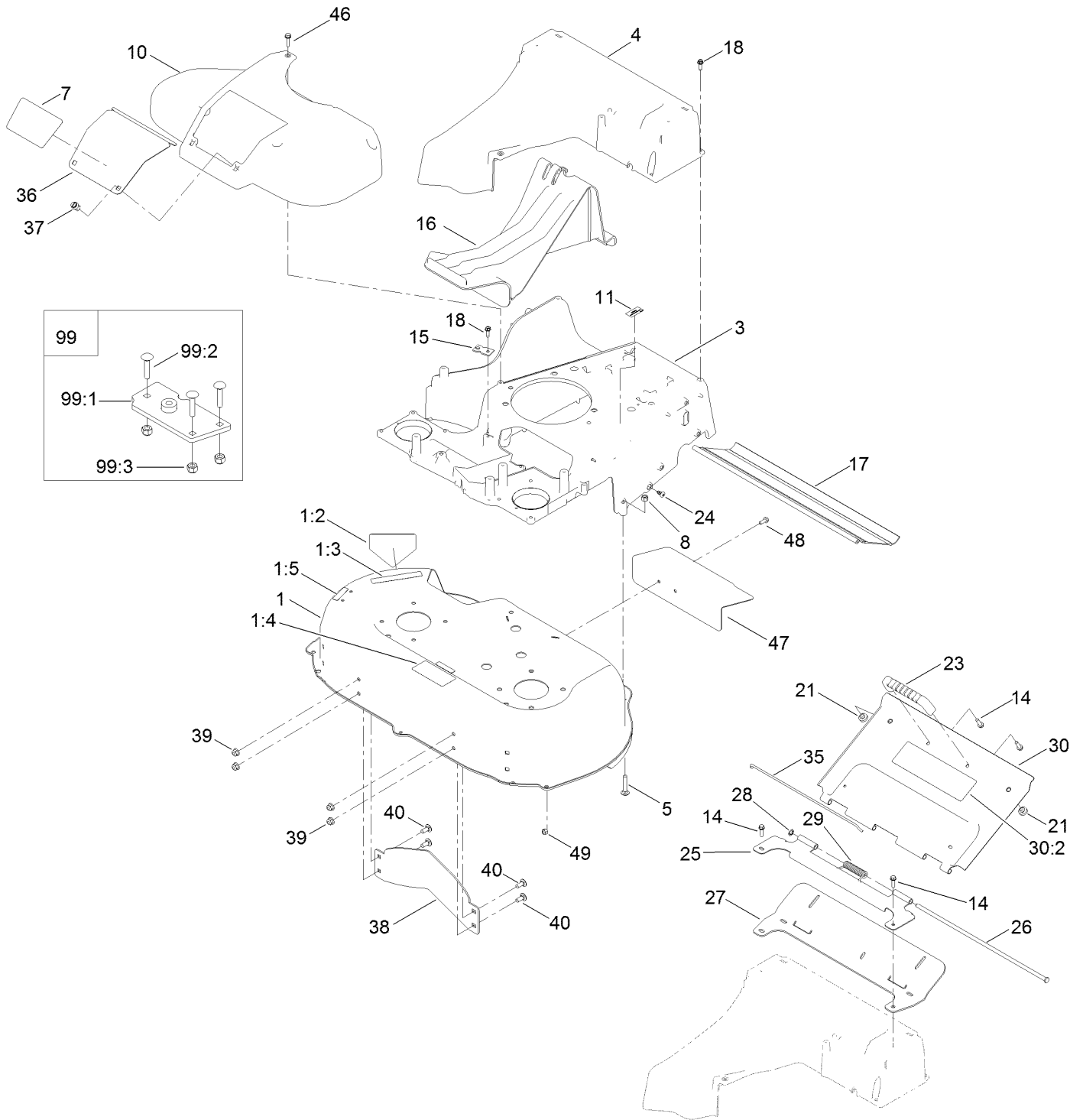
In an illustration, if a reference number indicates more than one part, the reference number has the form nX y. The n represents the quantity of the part, the X is the multiplication symbol, and the y represents the reference number.

For example, in an illustration, the reference number 2X 37 means that two of the parts identified by reference number 37 are indicated.

Contents

Deck, Frame and Chute Assembly	4
Spindle and Blade Assembly	6
Pulleys and Idler Assembly No. 126-7890	8
Side Discharge Chute Assembly	10
Grass Bag Assembly	12
Engine and Fuel Tank Assembly	14
Front Bumper and Wheel Assembly	16
Traction and Height-of-Cut Assembly	18
Handle Assembly	20
Attachments and Accessories	22

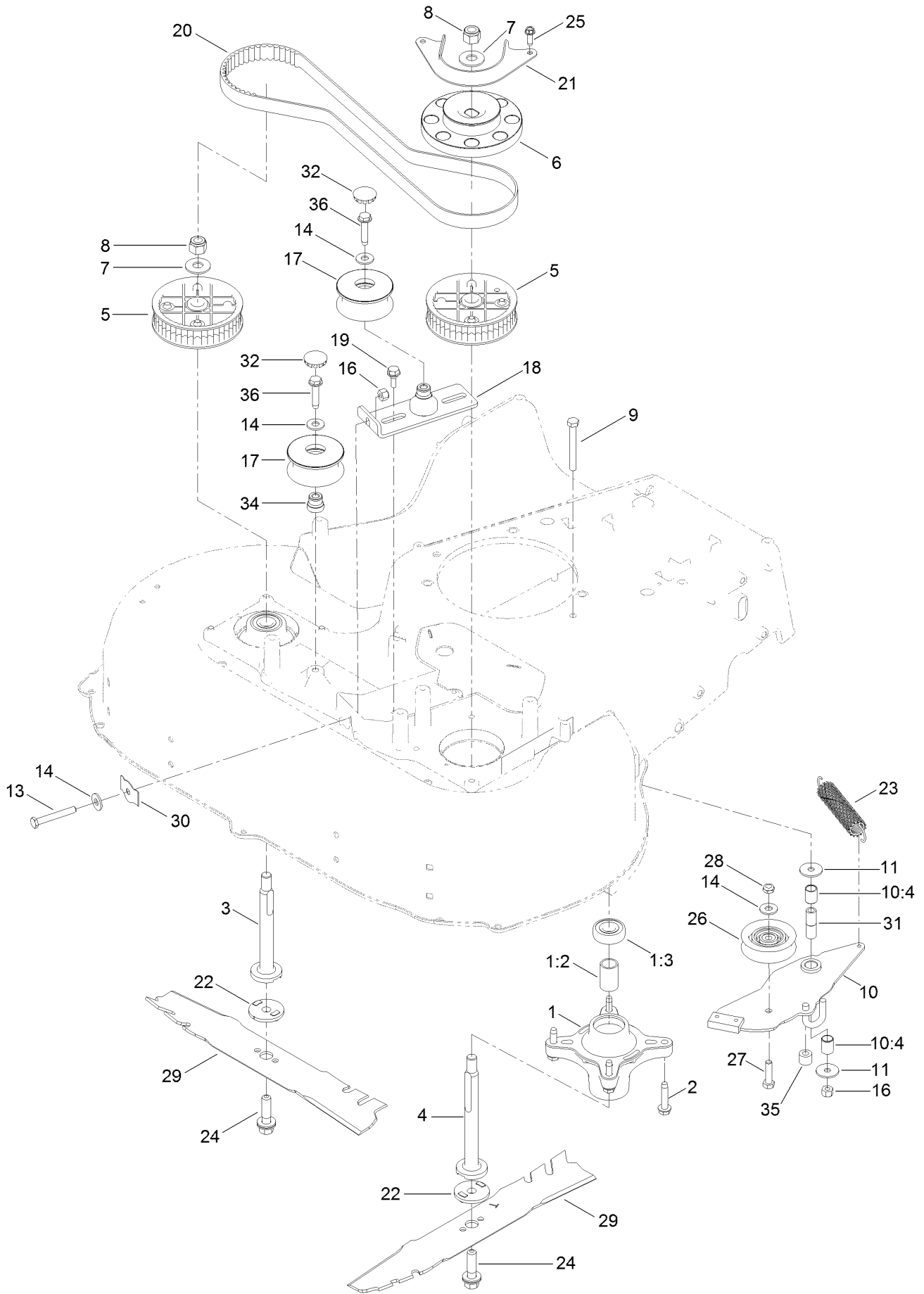
Deck, Frame and Chute Assembly



Deck, Frame and Chute Assembly (continued)

<i>Ref.</i>	<i>Part Number</i>	<i>Qty.</i>	<i>Description</i>	<i>Ref.</i>	<i>Part Number</i>	<i>Qty.</i>	<i>Description</i>
1	136-5900	1	Deck ASM	26	116-6933	1	Pin-Hinge
1:2	94-8072	1	Decal-Danger	27	116-6229	1	Seal-Door
1:3	93-7009	1	Decal-Danger	28	32151-72	1	Ring-Retaining
1:4	116-8528	1	Decal	29	116-7573	1	Spring-Torsion, Cover
1:5	120-9570	2	Decal-Warning	30	116-8355	1	Rear Door ASM
3	136-5908-01	1	Frame	30:2	116-7583	1	Decal-Warning
4	133-8177	1	Chute	35	116-6966	1	Clip-Seal
5	3230-5	2	Bolt-Car	36	121-5793-03	1	Door-Access
7	121-9191	1	Decal	37	121-5840	2	Fastener
8	3296-29	2	Nut-Lock, NI	38	130-2352-01	1	Baffle-Control
10	121-5810	1	Cover-Belt	39	104-8300	4	Nut-HF, NI
11	126-4345	1	Decal-Patent	40	3230-23	4	Screw-CARR
14	46-8091	4	Screw-HWH	46	32144-86	1	Screw-HWHTF
15	138-3224	1	Bracket-Cable, Traction	47	126-6381-01	1	Deflector-Rear
16	120-5225	1	Plug-Mulch	48	32144-85	2	Screw-HWH
17	121-5841	1	Shield-Trailing	49	3296-42	2	Nut-Lock, NI
18	49-2040	8	Screw-HWHTF	99	125-5072	1	Frame Plate Kit
21	1-513658	2	Bumper	99:1	125-2542	1	Plate-Frame
23	65-5100	1	Handle-Door	99:2	3229-3	3	Screw-CARR
24	117-1092	2	Screw-PTH	99:3	3296-42	3	Nut-Lock, NI
25	116-6351-03	1	Bracket-Hinge				

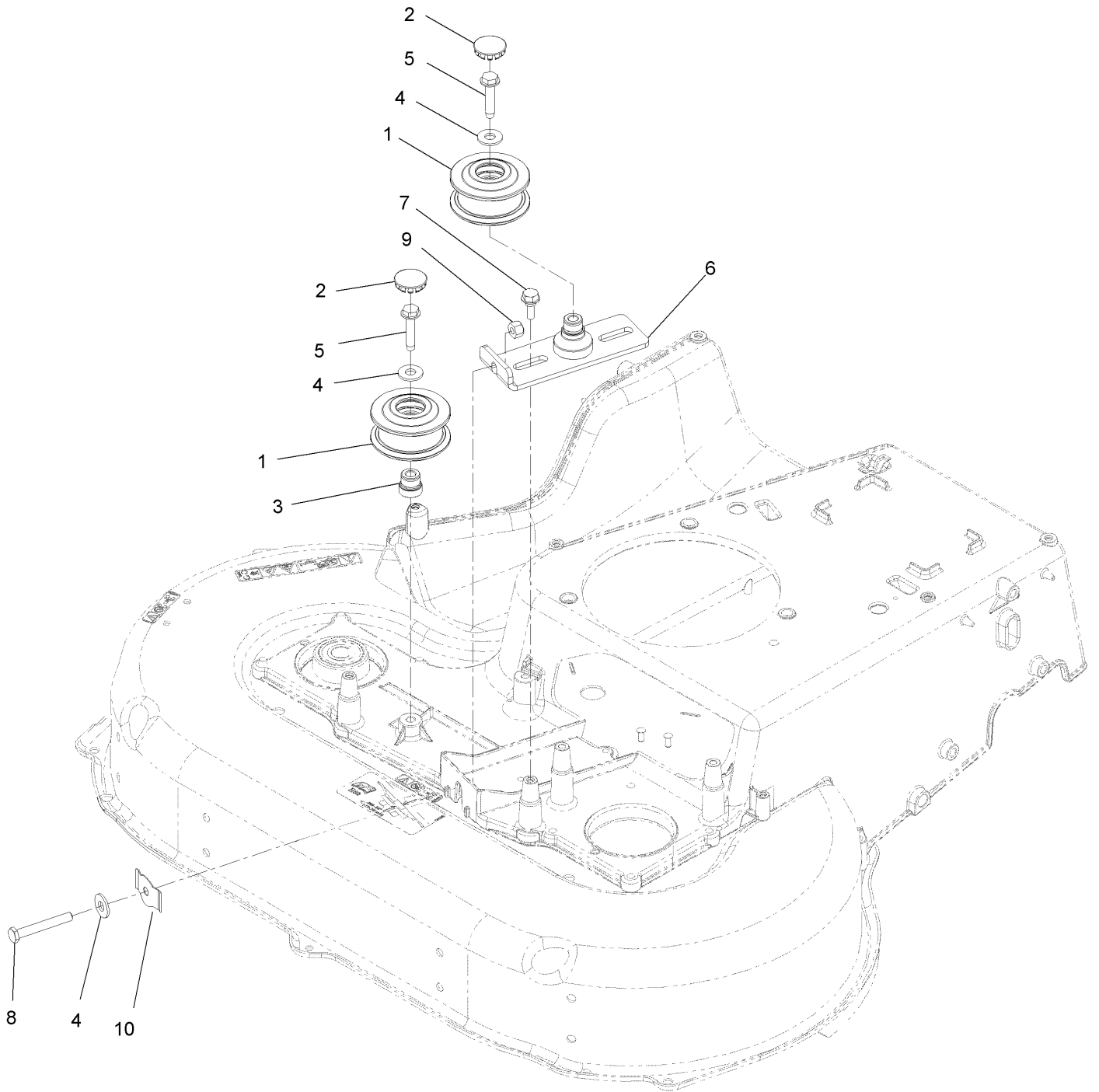
Spindle and Blade Assembly



Spindle and Blade Assembly (continued)

<i>Ref.</i>	<i>Part Number</i>	<i>Qty.</i>	<i>Description</i>	<i>Ref.</i>	<i>Part Number</i>	<i>Qty.</i>	<i>Description</i>
1	121-9107	2	Spindle ASM	18	126-6453	1	Bracket-Idler
1:2	120-7935	2	Spacer	19	120-7024	2	Screw-Shoulder, HHF
1:3	38-7820	2	Bearing-Ball	20	120-3335	1	Belt-Synchronous
2	132-4498	8	Screw-HWH	21	120-5245-03	1	Guide-Belt, Spindle
3	120-5234	1	Shaft-Spindle	22	120-5236	2	Adapter-Blade
4	120-5235	1	Shaft-Spindle	23	121-5808	1	Spring-Extension, Brake
5	121-9100	2	Sprocket	24	125-2466	2	Bolt-Blade
6	130-6664	1	Pulley-Brake, Spindle	25	49-2040	2	Screw-HWHTF
7	109-9505	2	Washer-Spring	26	120-7082	1	Pulley-Idler
8	3296-19	2	Nut-Hex	27	322-6	1	Screw-HH
9	322-13	1	Screw-HH	28	3296-47	1	Nut-Lock, NI
10	136-5903	1	Brake Arm ASM	29	116-6358-03	2	Blade-Rotary
10:4	131-0819	2	Bushing-Sleeve	30	121-2336	1	Spring-Flat
11	5-4460	2	Washer-Pivot	31	131-0823	1	Spacer-Brake
13	9114524	1	Bolt-TAP, HH	32	126-7151	2	Plug-Button
14	3256-3	4	Washer-Flat	34	131-4504	1	Adapter-Bore
16	3296-29	2	Nut-Lock, NI	35	133-1964	1	Hose-Coolant
17	126-7890	1	Pulleys And Idler Kit	36	32144-57	2	Screw

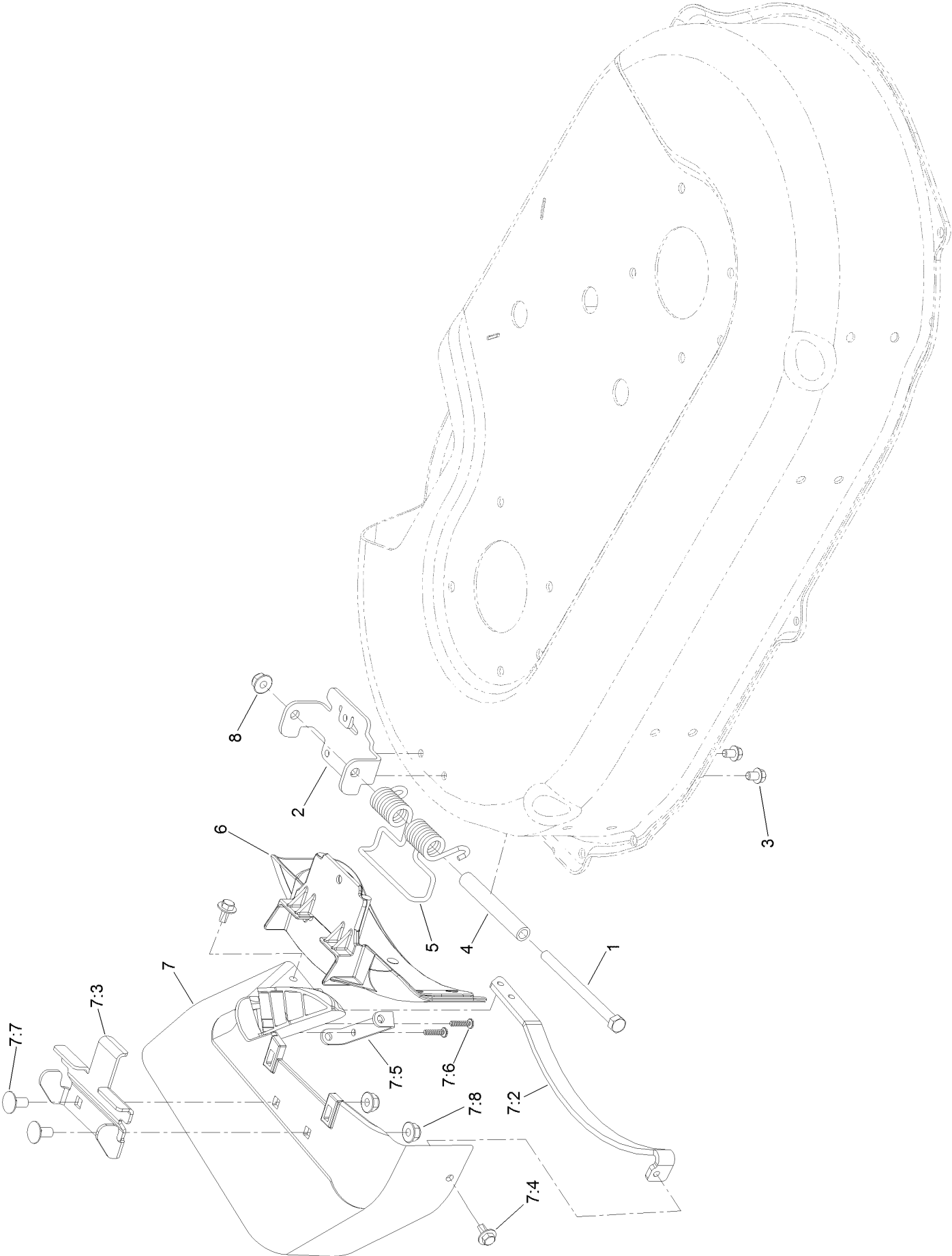
Pulleys and Idler Assembly No. 126-7890



Pulleys and Idler Assembly No. 126-7890 (continued)

<i>Ref.</i>	<i>Part Number</i>	<i>Qty.</i>	<i>Description</i>	<i>Ref.</i>	<i>Part Number</i>	<i>Qty.</i>	<i>Description</i>
1	126-5880	2	Pulley-Idler, Flat	6	126-6453	1	Bracket-Idler
2	126-7151	2	Plug-Button	7	120-7024	2	Screw-Shoulder, HHF
3	131-4504	1	Adapter-Bore	8	9114524	1	Bolt-TAP, HH
4	3256-3	3	Washer-Flat	9	3296-29	1	Nut-Lock, NI
5	32144-57	2	Screw	10	121-2336	1	Spring-Flat

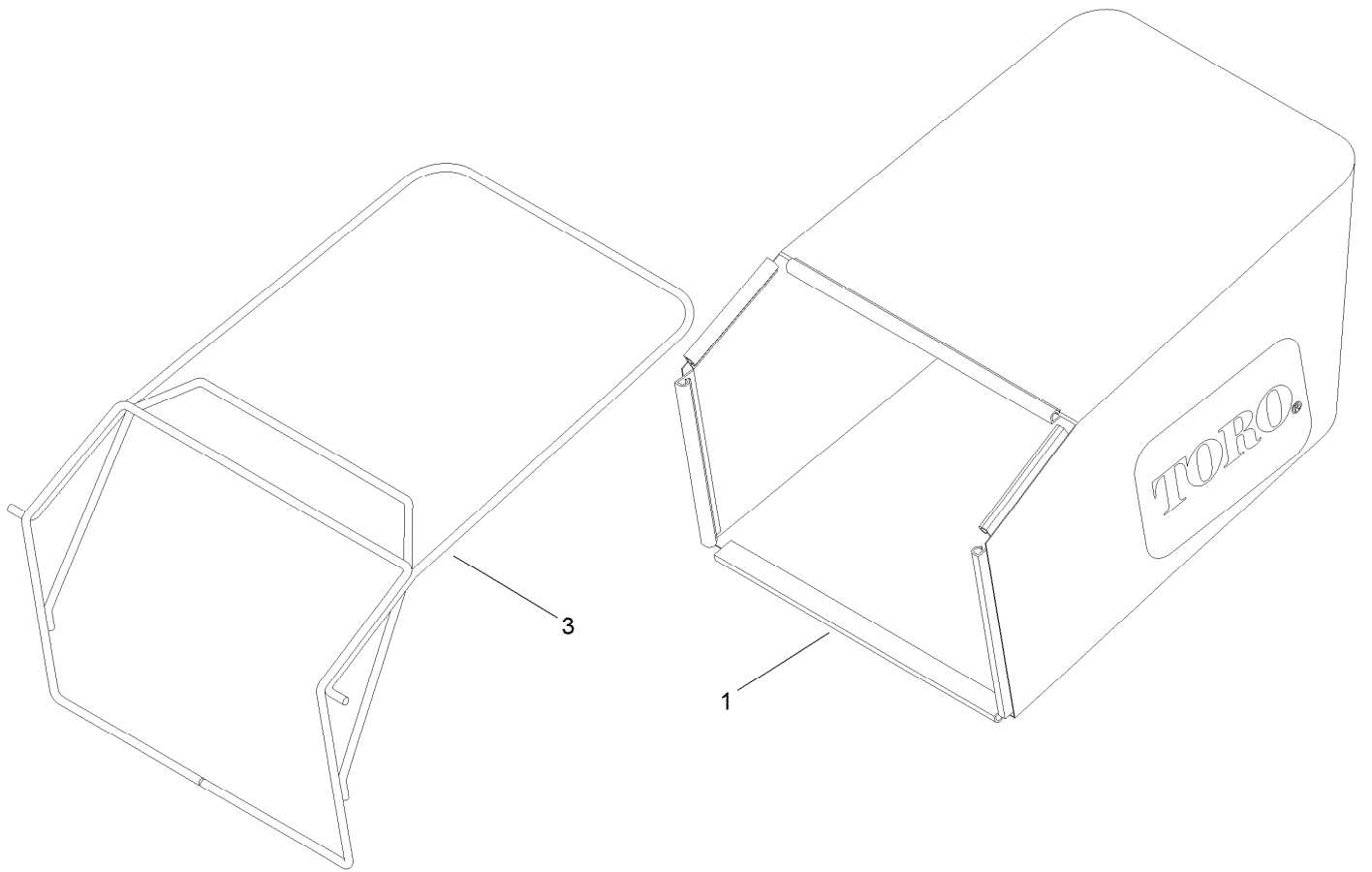
Side Discharge Chute Assembly



Side Discharge Chute Assembly (continued)

<i>Ref.</i>	<i>Part Number</i>	<i>Qty.</i>	<i>Description</i>	<i>Ref.</i>	<i>Part Number</i>	<i>Qty.</i>	<i>Description</i>
1	322-38	1	Screw-HH	7:3	121-9196	1	Bracket-Chute
2	121-9195	1	Hinge	7:4	46-8560	2	Screw-HHFTF
3	99-8445	2	Screw-HWH	7:5	112-6416	1	Bracket-Cover
4	125-2478	1	Spacer	7:6	94-4496	2	Screw-PPH
5	121-9193	1	Spring-Torsion	7:7	3230-18	2	Screw-CARR
6	125-5093-01	1	Cover-Discharge	7:8	104-8300	2	Nut-HF, NI
7	116-9754	1	Side Discharge Chute ASM	8	104-8300	1	Nut-HF, NI
7:2	116-9752-03	1	Guard-Chute				

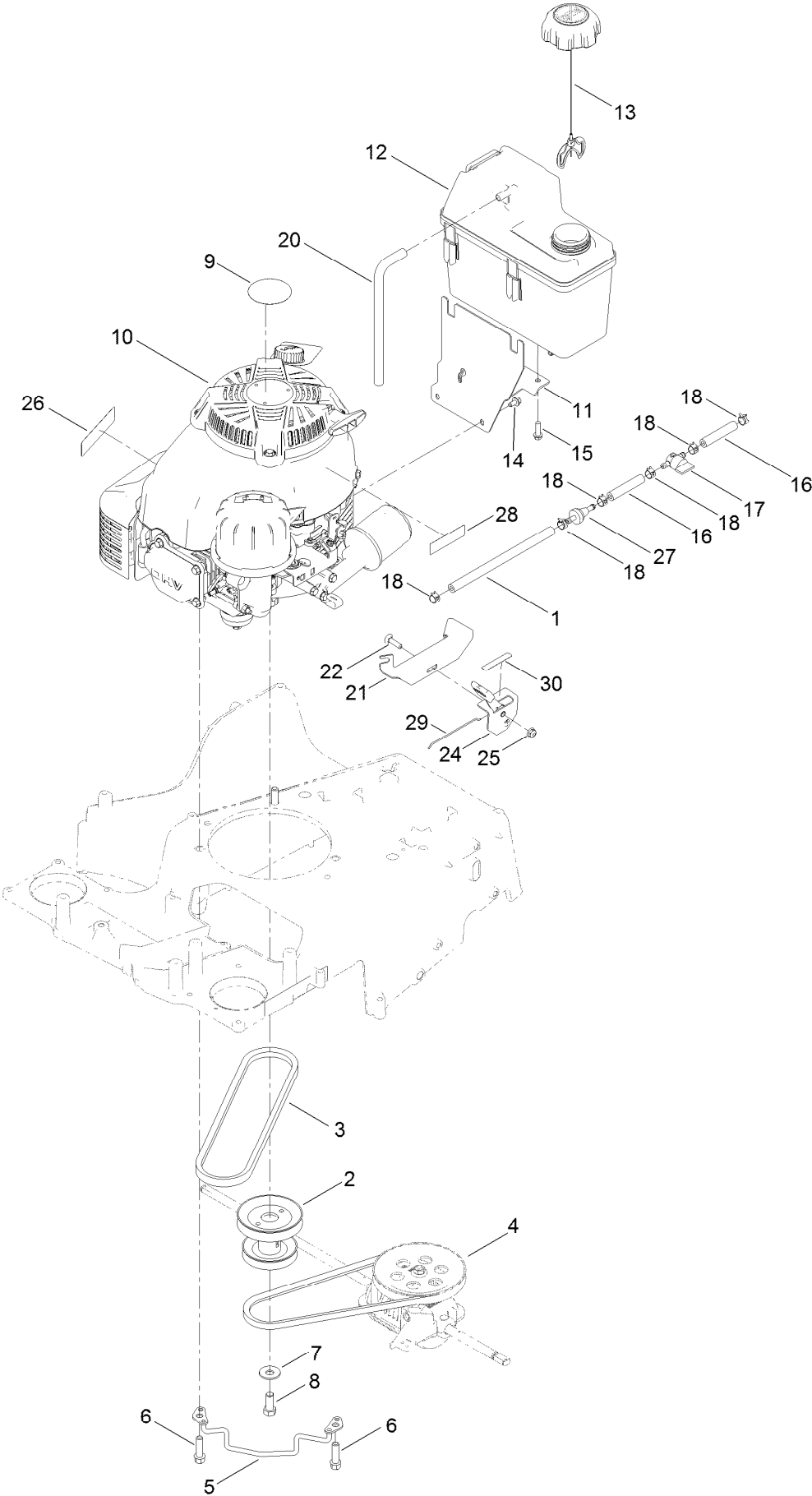
Grass Bag Assembly



Grass Bag Assembly (continued)

<i>Ref.</i>	<i>Part Number</i>	<i>Qty.</i>	<i>Description</i>
1	121-5775	1	Grass Bag ASM
3	116-5596-03	1	Frame-Bag

Engine and Fuel Tank Assembly



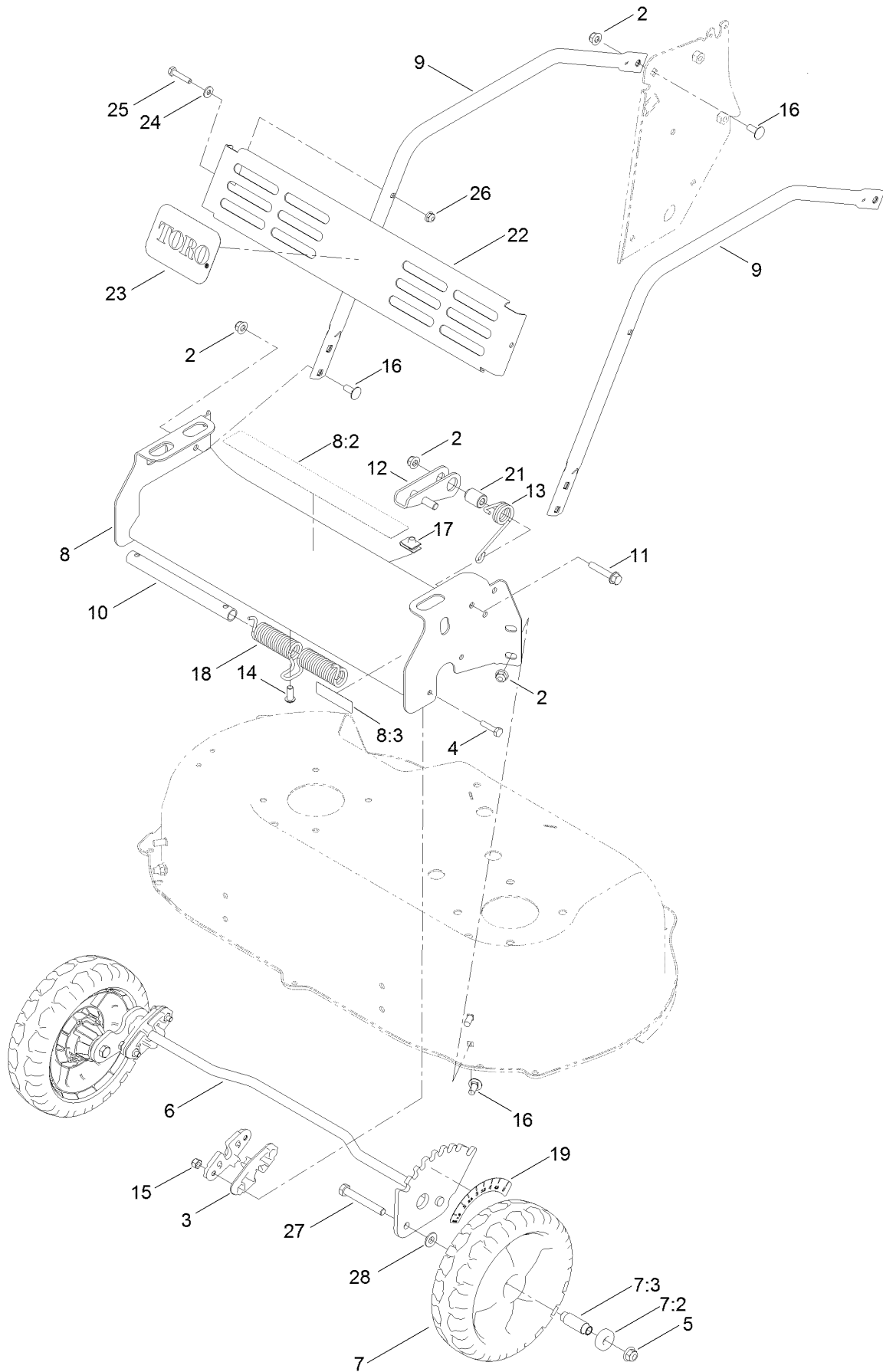
Engine and Fuel Tank Assembly (continued)

<i>Ref.</i>	<i>Part Number</i>	<i>Qty.</i>	<i>Description</i>	<i>Ref.</i>	<i>Part Number</i>	<i>Qty.</i>	<i>Description</i>
1	119-1892	1	Hose-Fuel	15	46-8091	2	Screw-HWH
2	137-9177	1	Pulley-Engine	16	109-0304	2	Hose-Fuel
3	121-5765	1	V-Belt	17	1-603770	1	Valve-Fuel
4	116-7116	1	Belt	18	2412-98	6	Clamp-Hose
5	138-5319	1	Guide-Belt	20	115-0962	1	Hose-Vent, Canister
6	95-1727	3	Screw-Taptite	21	130-6440-03	1	Bracket-Mount, Throttle
7	3290-465	1	Washer-Belleville	22	3229-30	1	Screw-CARR
8	3212-4	1	Screw-HH	24	130-9655	1	Control-Throttle
9	109-6528	1	Decal-Recoil	25	104-7201	1	Nut-HF
10		1	Engine-Kawasaki Fj180V ●■	26	133-8062	1	Decal-Arrestor, Spark
11	115-0954-03	1	Mount-Tank	27	71-9280	1	Filter-Fuel
12	114-0280	1	Tank-Fuel	28	116-9313	1	Decal-Warning, Engine
13	137-4127	1	Cap-Fuel	29	130-9654	1	Wire-Control
14	116-8929	3	Screw-HWH	30	130-9656	1	Decal-Throttle, Choke

● Not serviced separately

■ Obtain parts from www.kawpowerepc.com

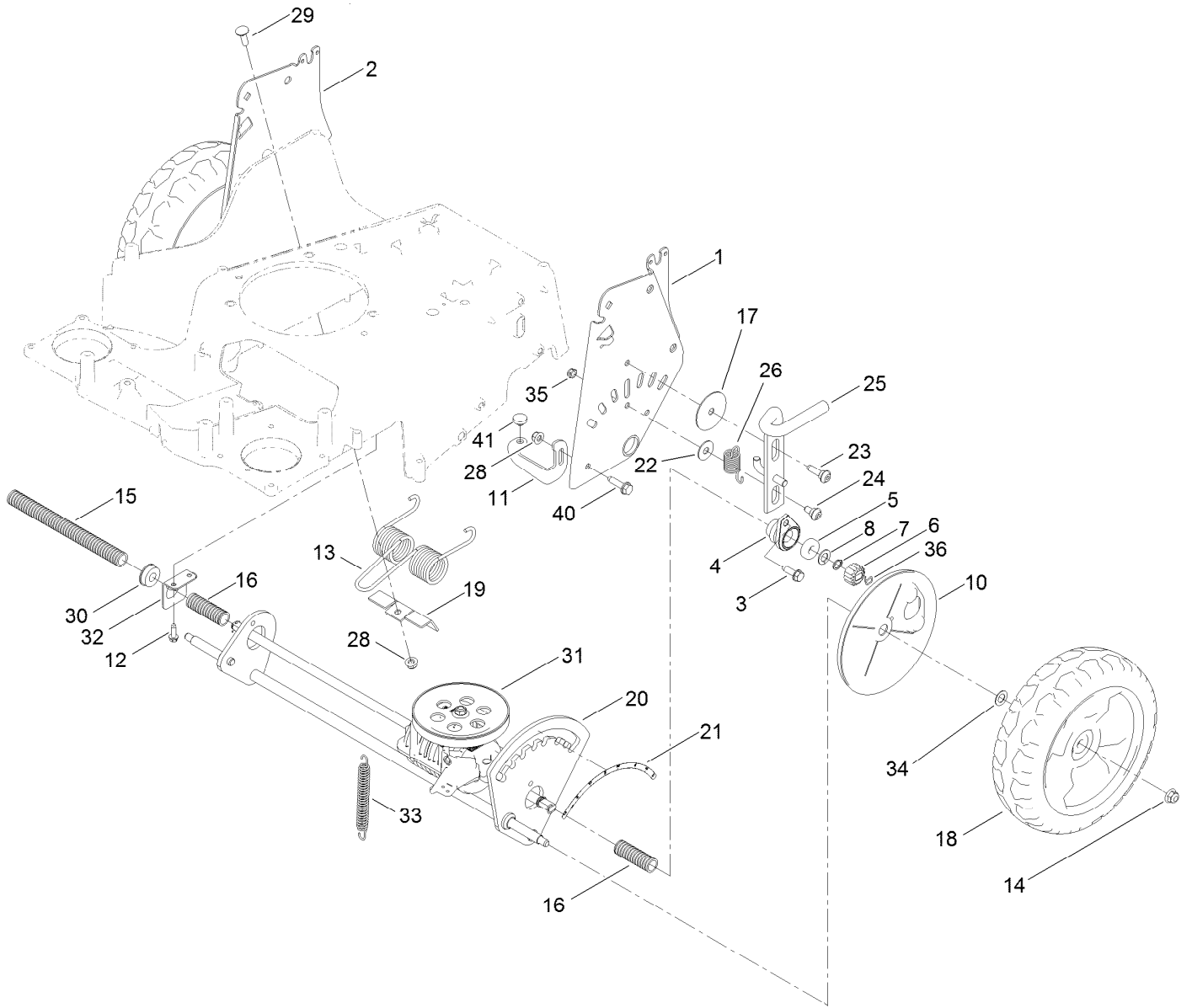
Front Bumper and Wheel Assembly



Front Bumper and Wheel Assembly (continued)

<i>Ref.</i>	<i>Part Number</i>	<i>Qty.</i>	<i>Description</i>	<i>Ref.</i>	<i>Part Number</i>	<i>Qty.</i>	<i>Description</i>
2	104-8300	11	Nut-HF, NI	13	120-9465	1	Spring-Torsion
3	121-5781	4	Bushing-Front	14	3274-55	1	Screw-HSBH
4	321-7	4	Screw-HH	15	3296-42	4	Nut-Lock, NI
5	104-8301	2	Nut-HF, NI	16	3230-23	10	Screw-CARR
6	131-0826	1	Axle-Front	17	94-2413	1	Nut-U
7	133-2639	2	Wheel	18	121-2337	1	Spring-Torsion
7:2	133-2603	2	Bearing-Ball	19	136-9077	1	Decal-HOC, Front
7:3	125-1077	1	Spacer	21	125-2486	1	Spacer
8	125-2488	1	Front Bumper ASM	22	121-9187-03	1	Shield
8:2	121-5847	1	Decal	23	117-0871	1	Decal
8:3	116-7581	1	Decal-Warning	24	3256-22	2	Washer-Flat
9	121-9168-03	2	Brace	25	321-8	2	Screw-HH
10	131-9690	1	Mandrell-Spring	26	104-7201	2	Nut-HF
11	94-5780	1	Screw-HWH	27	323-13	2	Screw-HH
12	125-2483	1	Lock-Height, Adjustment	28	74-1671	2	Spacer-Cover, Wheel

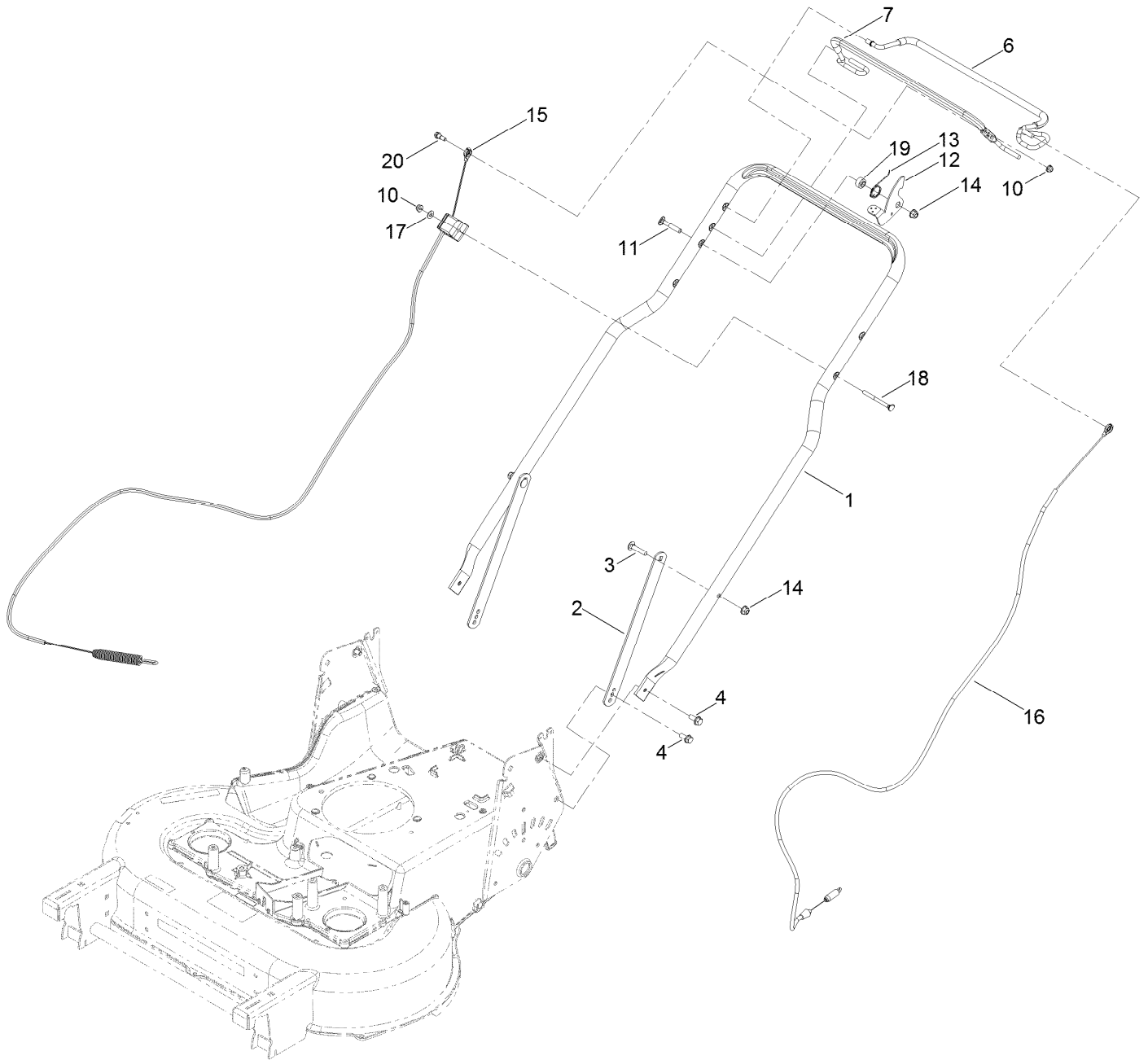
Traction and Height-of-Cut Assembly



Traction and Height-of-Cut Assembly (continued)

<i>Ref.</i>	<i>Part Number</i>	<i>Qty.</i>	<i>Description</i>	<i>Ref.</i>	<i>Part Number</i>	<i>Qty.</i>	<i>Description</i>
1	121-2394-03	1	LH HOC Plate ASM	20	131-4516	1	Axle-Rear
2	121-2395-03	1	RH HOC Plate ASM	21	116-7127	1	Decal-HOC, Rear
3	701243	6	Screw-Thd Roll, HWH	22	52-2860	1	Washer
4	136-5929	2	Retainer-Bearing	23	119-2267	1	Screw-Shoulder, BHTF
5	133-2603	2	Bearing-Ball	24	120-9471	1	Bolt-Shoulder
6	131-5399	2	Gear-Pinion, 15T	25	120-7090	1	Lock-Height, Adjust
7	32151-61	1	Ring-Retaining	26	120-9452	1	Spring-Extension
8	110-7191	2	Washer-Thrust	28	104-8300	2	Nut-HF, NI
10	125-2480	2	Cover-Gear	29	3230-2	1	Bolt-CARR
11	131-5344	1	Bracket-Stop, Adjustable	30	104-8699	1	Bearing-Ball
12	49-2040	2	Screw-HWHTF	31	131-9667	1	Transmission Kit
13	121-2368	1	Spring-Torsion	32	138-3233	1	Mount-Bearing
14	104-8301	2	Nut-HF, NI	33	120-7027	1	Spring-Extension
15	121-5799	1	Conduit-Convoluted	34	36-4780	2	Washer-Plain
16	121-5800	2	Conduit-Convoluted	35	3296-47	1	Nut-Lock, NI
17	125-2540	1	Washer-Plain	36	130-2369	2	Pin-Snap
18	133-2699	2	10.5 Inch Wheel ASM	40	32144-49	1	Screw-HWHTF
19	121-2397	1	Bracket	41	1-513658	1	Bumper

Handle Assembly



Handle Assembly (continued)

<i>Ref.</i>	<i>Part Number</i>	<i>Qty.</i>	<i>Description</i>	<i>Ref.</i>	<i>Part Number</i>	<i>Qty.</i>	<i>Description</i>
1	137-4767-03	1	Handle	13	109-9318	1	Spring-Lever, BBC
2	116-8208-03	2	Support-Handle	14	104-8300	3	Nut-HF, NI
3	3230-4	2	Bolt-CARR	15	137-4759	1	Cable-BBC
4	116-7230	4	Screw-HHF	16	137-4758	1	Cable-Traction
6	137-4811	1	Bail-Traction, Coated	17	3256-1	1	Washer-Flat
7	137-4810	1	Bail-BBC, Coated	18	92-2267	1	Screw-Handle
10	104-7201	2	Nut-HF	19	116-2690	1	Bushing-Stepped
11	112-8876	1	Screw-Handle	20	42-3560	1	Bolt-Shoulder
12	116-2998	1	Lever-BBC	99	614249	3	Tie-Cable ●

● Not illustrated

Attachments and Accessories

For 22210 30in TurfMaster Walk-Behind Lawn Mower

Product Name	Model/Part
Atomic Blade 15.4in.....	120-9500-03
Mulching Kit.....	125-5064
Idler Pulley Kit.....	126-7890

Notes:



Count on it.