



Count on it.

Parts Catalog

TimeCutter® SS 3225

Riding Mower

Model No. 74710—Serial No. 401300000 and Up



Ordering Replacement Parts

To order replacement parts, please supply the part number, the quantity, and the description of each part desired.

Understanding Reference Numbers

Each identified part in an illustration has a reference number. The reference number for a part also appears in the parts list, along with other information about the part.

This catalog uses two special reference number formats, one to indicate parts in a service assembly and another to indicate the quantity of a given part in an illustration.

Service Assembly Reference Numbers

Parts in service assemblies have reference numbers in the form a:b. The a represents the reference number of the entire service assembly and the b represents a sequential number unique to each part within the service assembly.

For example, a wheel assembly might be identified by reference number 6, the tire by 6:1, the valve by 6:2, and the wheel by 6:3. When you order the assembly identified by reference number 6, you receive all parts identified by reference numbers 6:1, 6:2, and 6:3. However, you may also order any part individually. Reference numbers of this type appear in illustration and in parts lists.

Reference Numbers Indicating Quantity

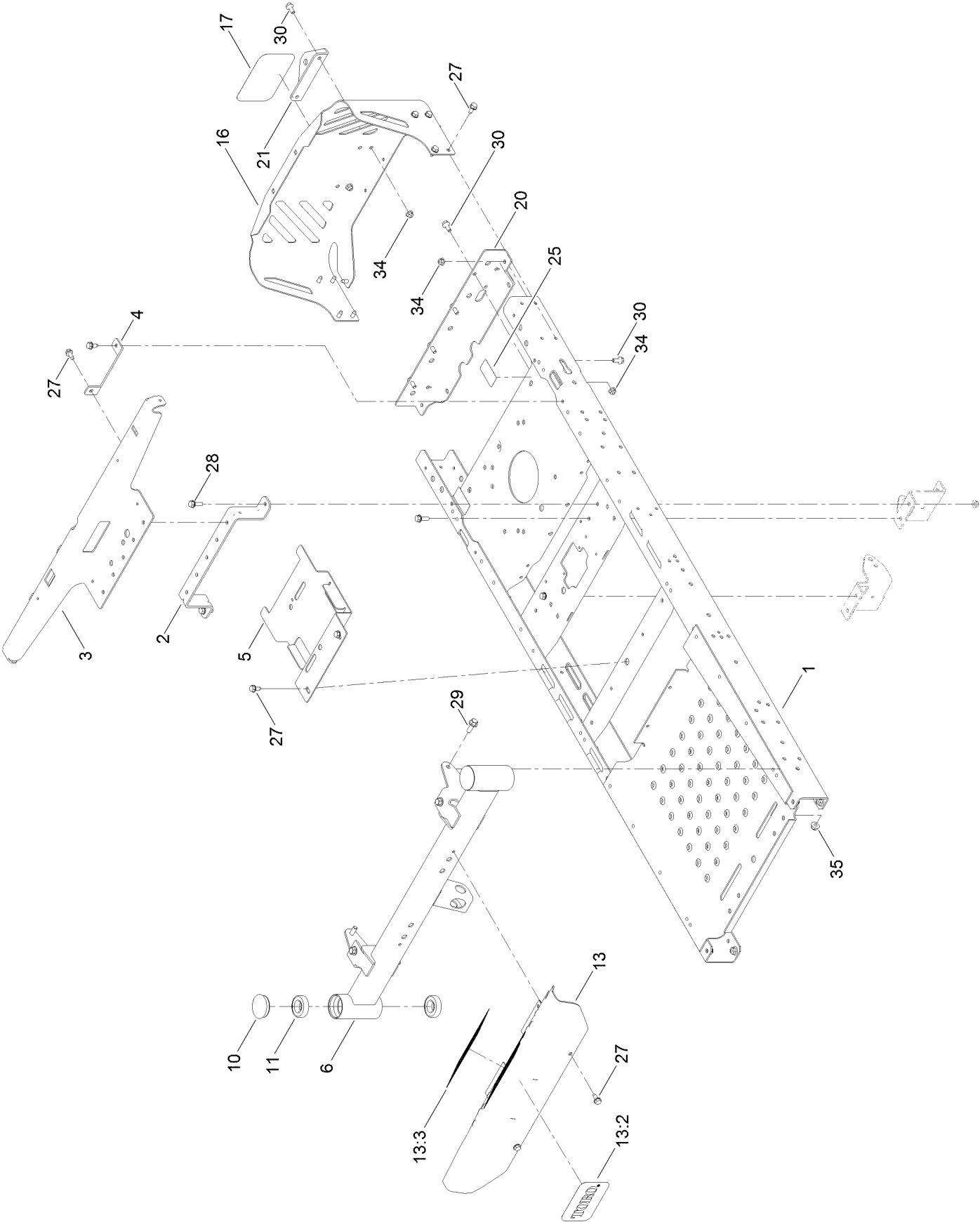
In an illustration, if a reference number indicates more than one part, the reference number has the form nX y. The n represents the quantity of the part, the X is the multiplication symbol, and the y represents the reference number.

For example, in an illustration, the reference number 2X 37 means that two of the parts identified by reference number 37 are indicated.

Contents

| | |
|---|----|
| Frame, Front Axle and Caster Wheel Assembly | 4 |
| Deck Lift Assembly | 6 |
| Caster, Wheel and Tire Assembly | 8 |
| Hydro Transaxle Drive and Rear Wheel Assembly | 10 |
| Right Hand Hydro Transaxle Assembly No. 119-3331 | 12 |
| Left Hand Hydro Transaxle Assembly No. 119-3330 | 14 |
| Brake Assembly | 16 |
| Rear Tire Assembly | 18 |
| Seat Assembly | 20 |
| Motion Control Assembly | 22 |
| Engine and Muffler Assembly | 24 |
| Fuel System Assembly | 26 |
| Air Intake and Filtration Assembly | 28 |
| Ignition and Electrical Assembly | 30 |
| Crankcase Assembly | 32 |
| Governor Control Assembly | 34 |
| Piston and Cylinder Head Assembly | 36 |
| Blower Housing Assembly | 38 |
| Gasket and Seal Kit Assembly | 40 |
| Body Styling and Fuel Tank Assembly | 42 |
| Battery and Electrical Assembly | 44 |
| 32 Inch Deck Assembly | 46 |
| Model Specific Decal and Floor Mat Assembly | 48 |
| Speed Control Decal, HOC Decal and Service Decal Assembly | 50 |
| Clutch Assembly | 52 |
| Attachments and Accessories | 54 |

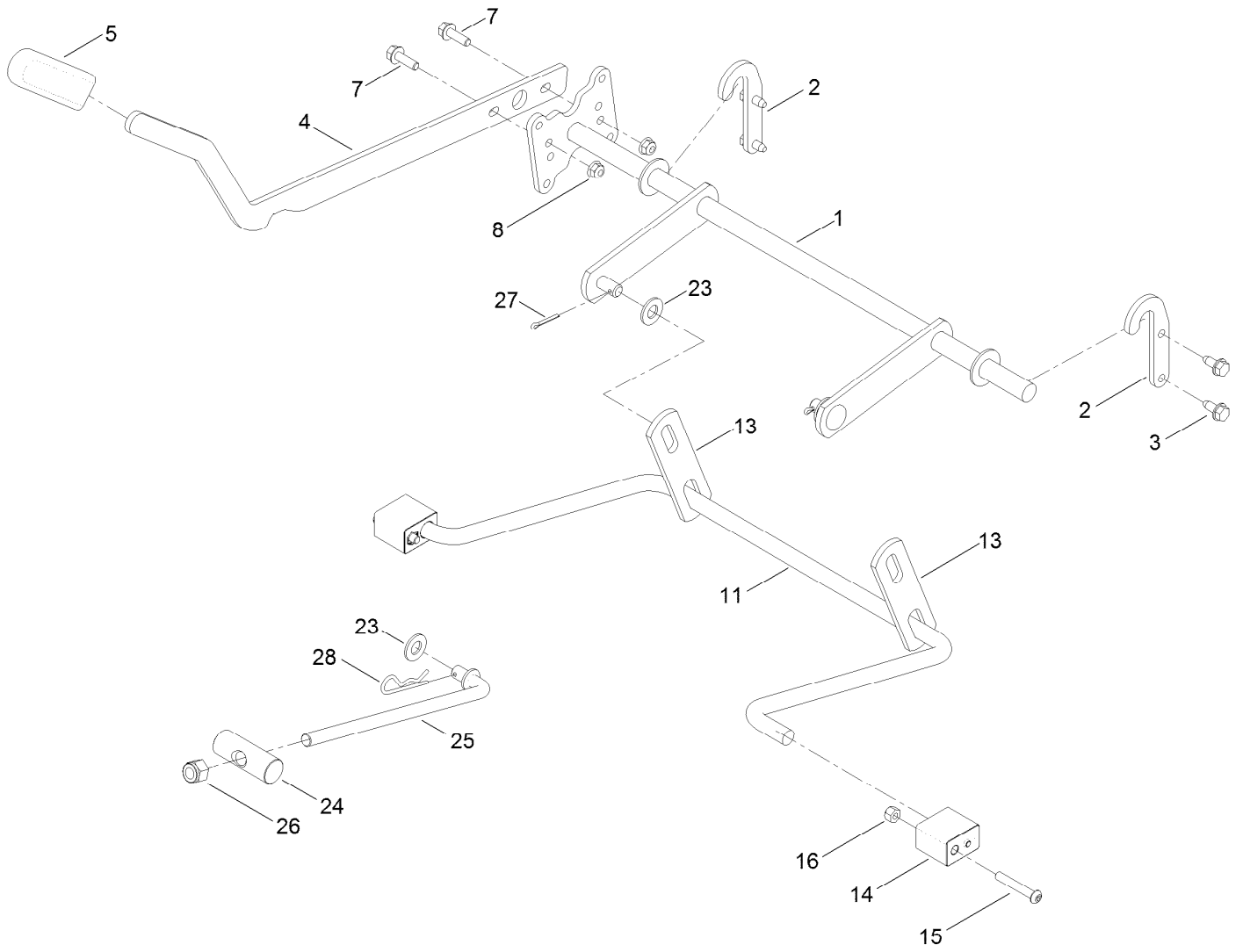
Frame, Front Axle and Caster Wheel Assembly



Frame, Front Axle and Caster Wheel Assembly (continued)

| <i>Ref.</i> | <i>Part Number</i> | <i>Qty.</i> | <i>Description</i> | <i>Ref.</i> | <i>Part Number</i> | <i>Qty.</i> | <i>Description</i> |
|-------------|--------------------|-------------|---------------------------|-------------|--------------------|-------------|--------------------------|
| 1 | 135-0509-01 | 1 | Frame ASM | 16 | 127-3353-03 | 1 | Guard-Engine, Narrow |
| 2 | 135-0686-03 | 1 | Brace-Seat, Rear (Narrow) | 17 | 99-4693 | 1 | Decal |
| 3 | 131-1040-03 | 1 | Support-Pod | 20 | 130-6950-01 | 1 | Crossmember-Rear, Narrow |
| 4 | 119-3431-03 | 2 | Support-Tank, Rear | 21 | 117-1232-03 | 1 | Bracket-Hitch |
| 5 | 135-0507-03 | 1 | Bracket-Battery | 25 | 121-2989 | 2 | Decal-Bypass |
| 6 | 125-1742-01 | 1 | Axle-Front, Narrow | 27 | 32144-70 | 18 | Screw-HWHTF |
| 10 | 116-4348 | 2 | Cap-Grease | 28 | 3234-29 | 4 | Screw-HHF |
| 11 | 109-3678 | 4 | Bearing-Ball | 29 | 3234-42 | 6 | Screw-HHF |
| 13 | 132-0890 | 1 | Footrest ASM | 30 | 3234-47 | 8 | Screw-HHF |
| 13:2 | 105-8278 | 1 | Decal | 34 | 104-8300 | 12 | Nut-HF, NI |
| 13:3 | 132-0869 | 1 | Decal-Danger | 35 | 104-8301 | 6 | Nut-HF, NI |

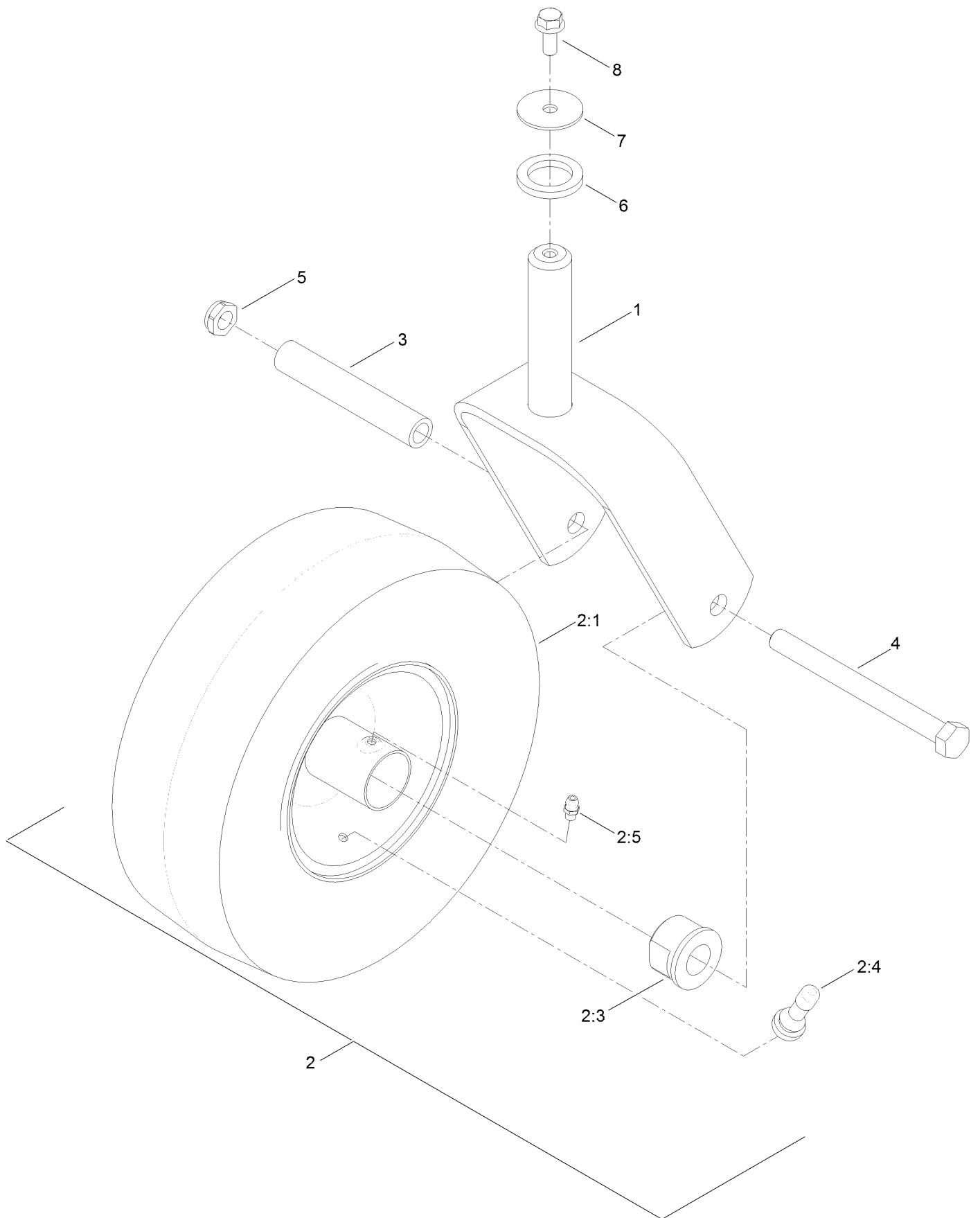
Deck Lift Assembly



Deck Lift Assembly (continued)

| <i>Ref.</i> | <i>Part Number</i> | <i>Qty.</i> | <i>Description</i> | <i>Ref.</i> | <i>Part Number</i> | <i>Qty.</i> | <i>Description</i> |
|-------------|--------------------|-------------|--------------------|-------------|--------------------|-------------|--------------------|
| 1 | 132-6872-03 | 1 | Lift-Deck, Narrow | 14 | 108-7845 | 2 | Block-Pivot |
| 2 | 119-8875 | 2 | Bracket-Lift | 15 | 120-5499 | 2 | Screw-HSBH |
| 3 | 32144-70 | 4 | Screw-HWHTF | 16 | 3296-29 | 2 | Nut-Lock, NI |
| 4 | 119-3427-03 | 1 | Lever-Lift | 23 | 3256-26 | 3 | Washer-Flat |
| 5 | 1-633268 | 1 | Grip-Lever | 24 | 119-8810 | 1 | Pin-Pivot |
| 7 | 3234-29 | 2 | Screw-HHF | 25 | 133-4319 | 1 | Rod-Mount, Deck |
| 8 | 104-8300 | 2 | Nut-HF, NI | 26 | 3296-19 | 1 | Nut-Hex |
| 11 | 108-7839 | 1 | Arm-Lift, Rear | 27 | 3272-11 | 2 | Pin-Cotter |
| 13 | 108-7840 | 2 | Link-Lift | 28 | 1-806005 | 1 | Pin-Cotter |

Caster, Wheel and Tire Assembly



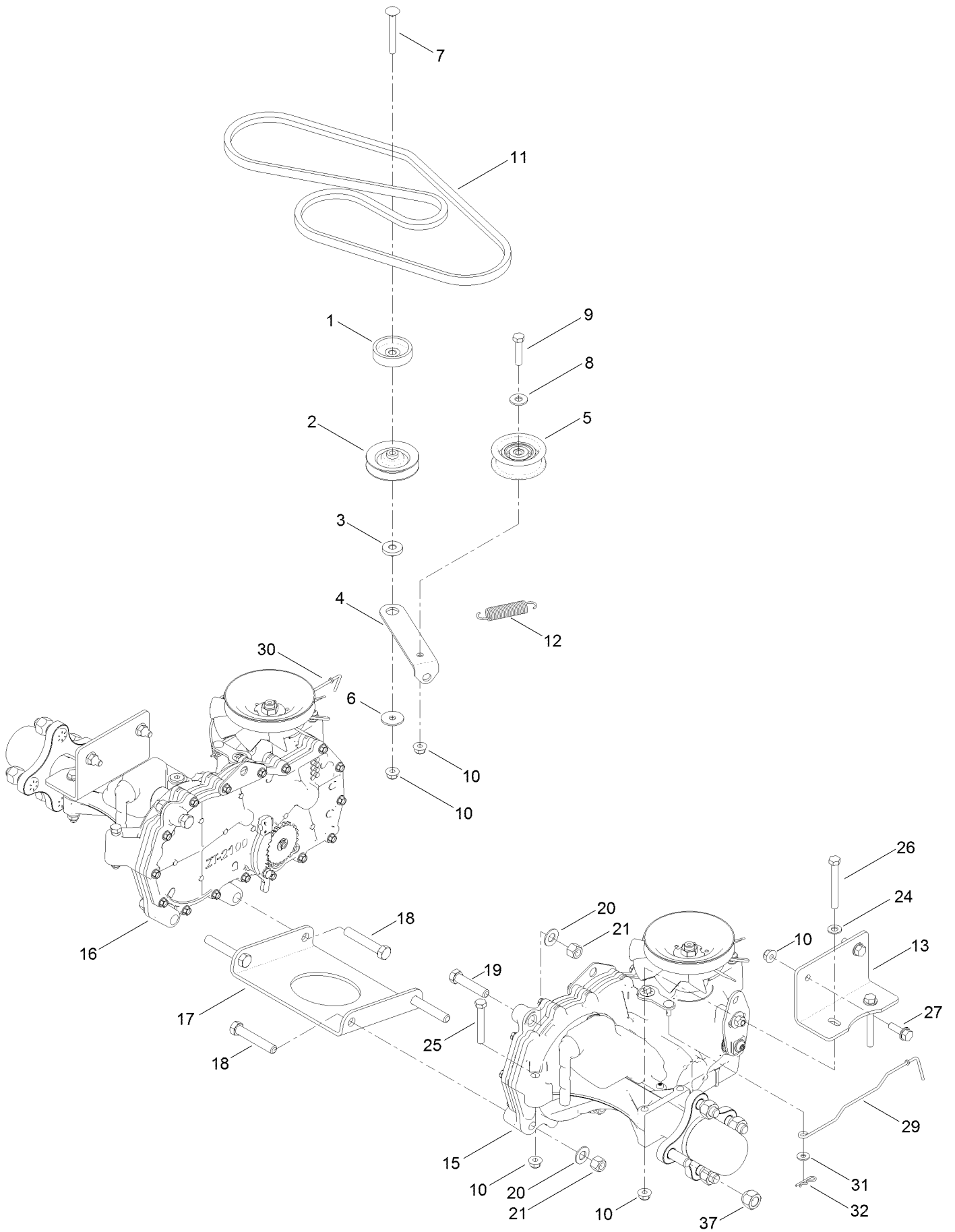
Caster, Wheel and Tire Assembly (continued)

| <i>Ref.</i> | <i>Part Number</i> | <i>Qty.</i> | <i>Description</i> | <i>Ref.</i> | <i>Part Number</i> | <i>Qty.</i> | <i>Description</i> |
|-------------|--------------------|-------------|--------------------|-------------|--------------------|-------------|--------------------|
| 1 | 120-7964-01 | 2 | Caster Fork ASM | 3 | 104-3667 | 2 | Bushing-Spanner |
| 2 | 130-0736 | 2 | Caster Wheel ASM | 4 | 325-22 | 2 | Screw-HH |
| 2:1 | 130-0735 | 1 | Tire | 5 | 3296-45 | 2 | Nut-Hex |
| 2:3 | 114-1640 | 2 | Bushing-Flange | 6 | 117-7394 | 2 | Washer-Thrust |
| 2:4 | 232-27 | 1 | Stem-Valve | 7 | 3256-68 | 2 | Washer-Flat |
| 2:5 | 302-5 | 1 | Fitting-Grease | 8 | 3234-47 | 2 | Screw-HHF |
| 2:6 | 105-0844 | 1 | Tube-Inner ●■ | | | | |

● Not illustrated

■ Optional Equipment

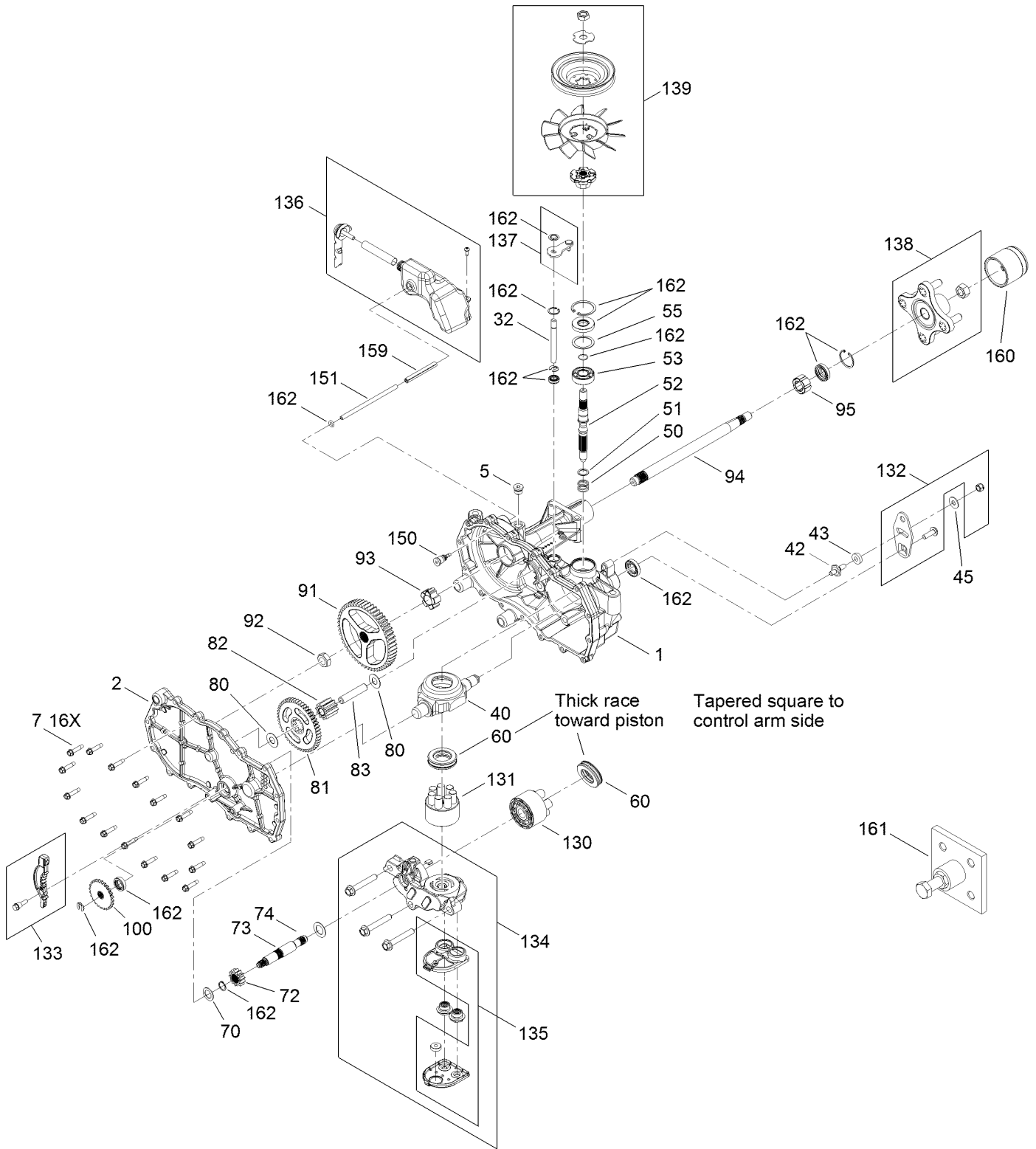
Hydro Transaxle Drive and Rear Wheel Assembly



Hydro Transaxle Drive and Rear Wheel Assembly (continued)

| <i>Ref.</i> | <i>Part Number</i> | <i>Qty.</i> | <i>Description</i> | <i>Ref.</i> | <i>Part Number</i> | <i>Qty.</i> | <i>Description</i> |
|-------------|--------------------|-------------|------------------------|-------------|--------------------|-------------|--------------------|
| 1 | 119-3353 | 1 | Spacer | 17 | 119-3339-03 | 1 | Plate-Cross, Hydro |
| 2 | 119-8822 | 1 | Pulley-Idler | 18 | 324-10 | 4 | Screw-HH |
| 3 | 119-3327 | 1 | Spacer-Arm, Idler | 19 | 324-8 | 2 | Screw-HH |
| 4 | 119-3326 | 1 | Arm-Idler | 20 | 3256-25 | 6 | Washer-Flat |
| 5 | 106-2176 | 1 | Pulley-Idler | 21 | 3296-48 | 6 | Nut-Lock, NI |
| 6 | 5-4460 | 1 | Washer-Pivot | 24 | 3256-23 | 6 | Washer-Plain |
| 7 | 3230-8 | 1 | Screw-CARR | 25 | 322-11 | 4 | Screw-HH |
| 8 | 3256-3 | 1 | Washer-Flat | 26 | 322-13 | 4 | Screw-HH |
| 9 | 322-7 | 1 | Screw-HH | 27 | 3234-29 | 4 | Screw-HHF |
| 10 | 104-8300 | 14 | Nut-HF, NI | 29 | 131-0900 | 1 | Rod-Bypass, LH |
| 11 | 130-6975 | 1 | V-Belt | 30 | 130-7049 | 1 | Rod-Bypass, RH |
| 12 | 104-6415 | 1 | Spring-Return, Pedal | 31 | 119-8952 | 2 | Washer |
| 13 | 117-7264-03 | 2 | Mount-Hydro | 32 | 3290-307 | 2 | Pin-Cotter |
| 15 | 119-3330 | 1 | LH Hydro Transaxle ASM | 37 | 242-50 | 8 | Nut-Lug |
| 16 | 119-3331 | 1 | RH Hydro Transaxle ASM | | | | |

Right Hand Hydro Transaxle Assembly No. 119-3331

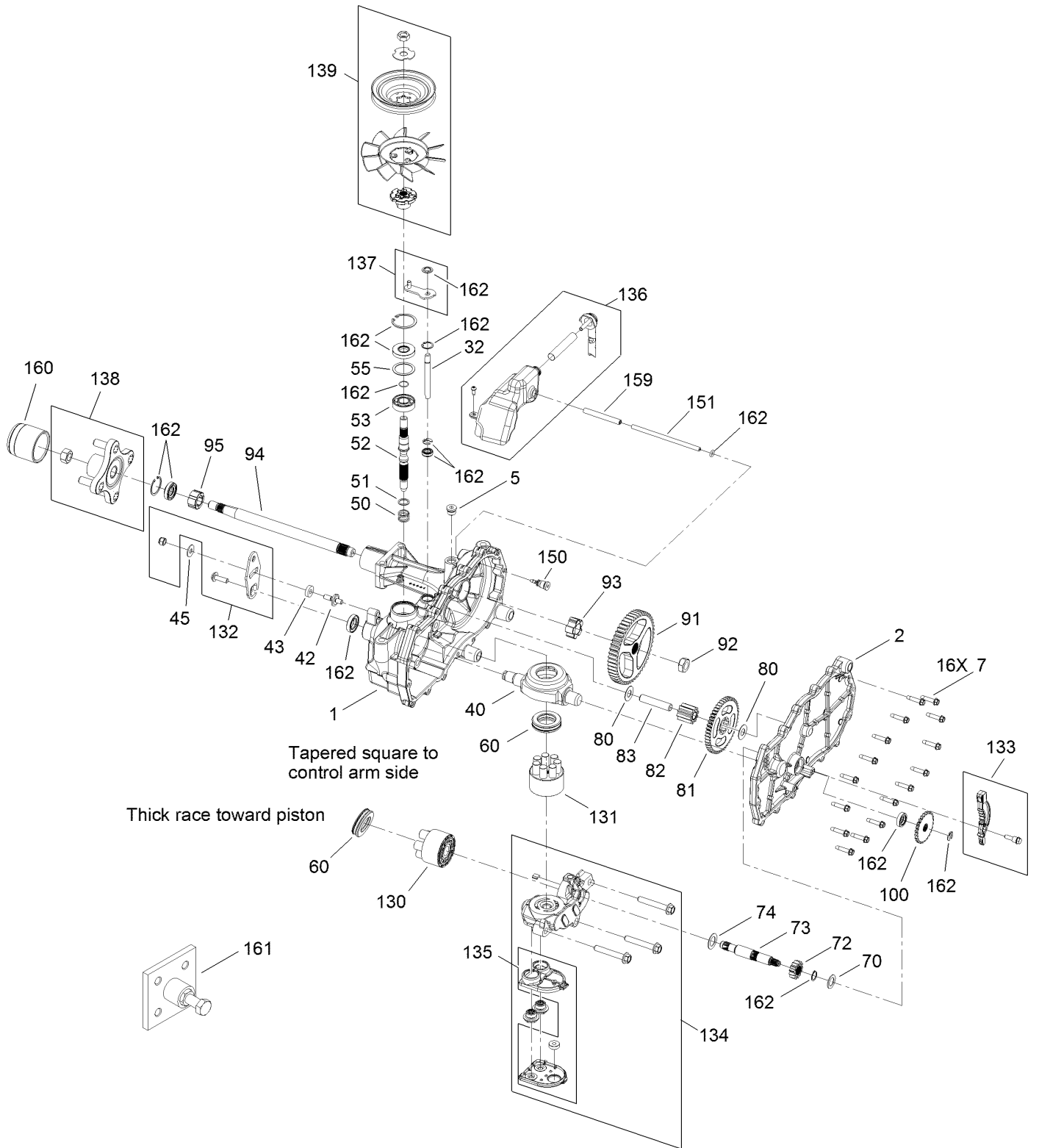


Right Hand Hydro Transaxle Assembly No. 119-3331 (continued)

| <i>Ref.</i> | <i>Part Number</i> | <i>Qty.</i> | <i>Description</i> | <i>Ref.</i> | <i>Part Number</i> | <i>Qty.</i> | <i>Description</i> |
|-------------|--------------------|-------------|-----------------------|-------------|--------------------|-------------|---------------------------|
| 1 | 120-5531 | 1 | Main Housing ASM | 83 | 104-5329 | 1 | Pin-Jackshaft |
| 2 | 120-5533 | 1 | Housing Side Kit | 91 | 120-5539 | 1 | Gear-Bull |
| 5 | 104-2189 | 1 | Plug-Thread, Straight | 92 | 104-2142 | 1 | Nut-HJ |
| 7 | 117-5359 | 16 | Screw-HHF | 93 | 115-8314 | 1 | Bushing-Inboard |
| 13 | 104-2147 | 1 | Sealant ● | 94 | 120-5540 | 1 | Shaft-Axle |
| 32 | 106-8678 | 2 | Rod-Bypass | 95 | 120-5541 | 1 | Bearing-Sleeve |
| 40 | 104-5304 | 1 | Swashplate-Trunnion | 100 | 106-8694 | 1 | Disc-Brake, Cog |
| 42 | 104-2116 | 1 | Stud | 130 | 103-2666 | 1 | Cylinder Block Kit |
| 43 | 112-9853 | 1 | Puck-Friction | 131 | 110-8561 | 1 | Pump Block ASM |
| 45 | 114-8491 | 1 | Washer | 132 | 117-5362 | 1 | Control Arm Kit |
| 50 | 120-5537 | 1 | Spring-Compression | 133 | 106-8688 | 1 | Brake Arm Kit |
| 51 | 120-5538 | 1 | Washer | 134 | 112-9862 | 1 | Center Section Filter Kit |
| 52 | 104-5306 | 1 | Shaft-Input | 135 | 114-1634 | 1 | Filter Kit |
| 53 | 104-5311 | 1 | Bearing-Ball | 136 | 121-5735 | 1 | LH Expansion Tank Kit |
| 55 | 104-5308 | 1 | Spacer | 137 | 107-2489 | 1 | Bypass Arm Kit |
| 60 | 94-6922 | 1 | Bearing-Thrust | 138 | 121-5731 | 1 | Hub Kit |
| 70 | 104-5339 | 1 | Washer-Flat | 139 | 121-5729 | 1 | Fan Pulley Kit |
| 72 | 104-5316 | 1 | Gear-Pinion, 13T | 150 | 104-5349 | 1 | Fitting-SAE |
| 73 | 106-8683 | 1 | Shaft-Motor | 151 | 115-8302 | 1 | Hose |
| 74 | 104-5360 | 1 | Washer | 159 | 121-5728 | 1 | Case-Tube |
| 80 | 119-5541 | 2 | Washer | 160 | 125-0041 | 1 | Cap-Axle |
| 81 | 104-5317 | 1 | Gear-10T/48T | 161 | 114-8467 | 1 | Puller-Hub, 4 Bolt |
| 82 | 104-5318 | 1 | Gear-Jackshaft, 10T | 162 | 120-7103 | 1 | Seal And Ring Kit |

● Not illustrated

Left Hand Hydro Transaxle Assembly No. 119-3330



Left Hand Hydro Transaxle Assembly No. 119-3330 (continued)

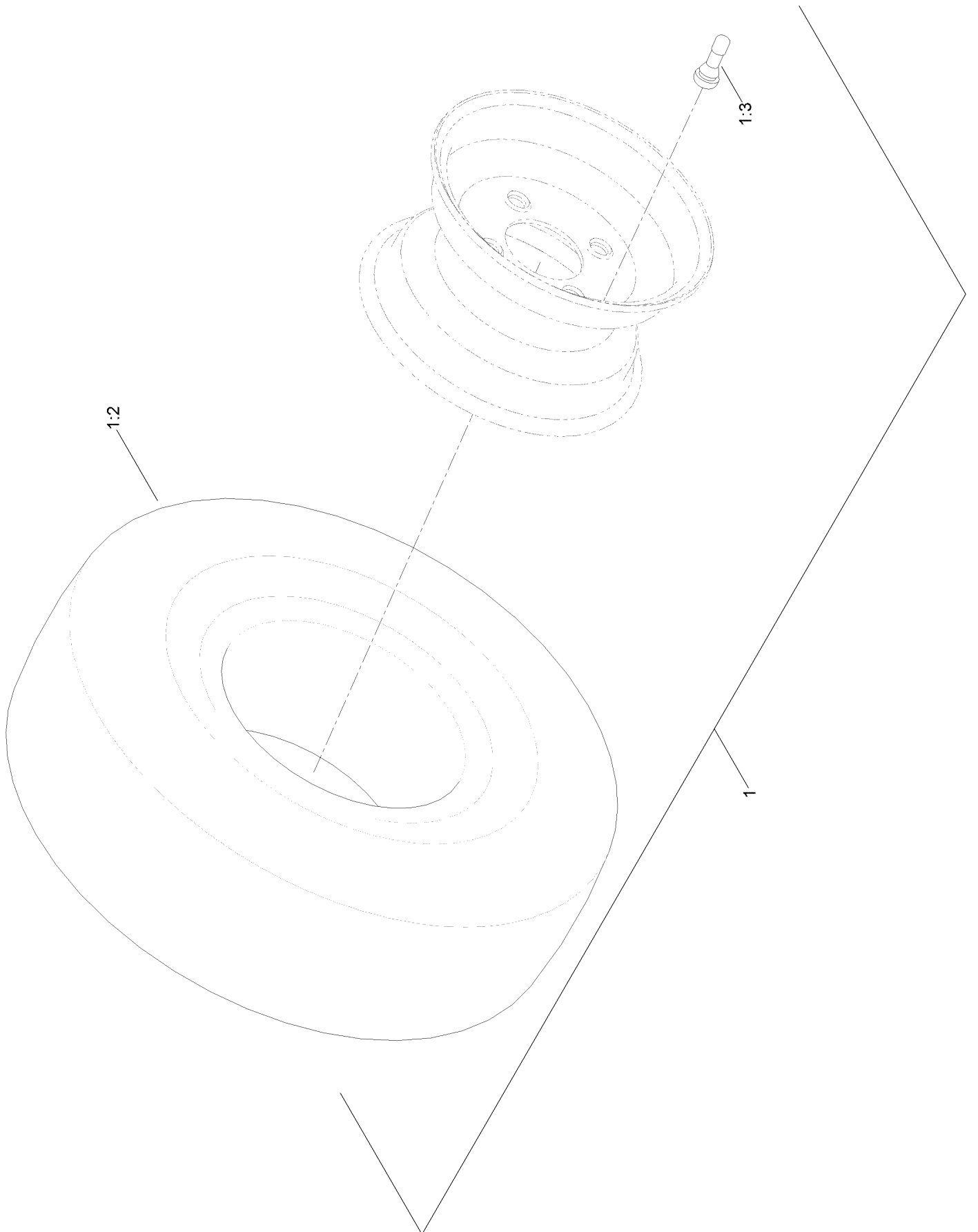
| <i>Ref.</i> | <i>Part Number</i> | <i>Qty.</i> | <i>Description</i> | <i>Ref.</i> | <i>Part Number</i> | <i>Qty.</i> | <i>Description</i> |
|-------------|--------------------|-------------|-----------------------|-------------|--------------------|-------------|---------------------------|
| 1 | 120-5532 | 1 | Main Housing ASM | 83 | 104-5329 | 1 | Pin-Jackshaft |
| 2 | 120-5534 | 1 | Housing Side Kit | 91 | 120-5539 | 1 | Gear-Bull |
| 5 | 104-2189 | 1 | Plug-Thread, Straight | 92 | 104-2142 | 1 | Nut-HJ |
| 7 | 117-5359 | 16 | Screw-HHF | 93 | 115-8314 | 1 | Bushing-Inboard |
| 13 | 104-2147 | 1 | Sealant ● | 94 | 120-5540 | 1 | Shaft-Axle |
| 32 | 106-8678 | 2 | Rod-Bypass | 95 | 120-5541 | 1 | Bearing-Sleeve |
| 40 | 104-5304 | 1 | Swashplate-Trunnion | 100 | 106-8694 | 1 | Disc-Brake, Cog |
| 42 | 104-2116 | 1 | Stud | 130 | 103-2666 | 1 | Cylinder Block Kit |
| 43 | 112-9853 | 1 | Puck-Friction | 131 | 110-8561 | 1 | Pump Block ASM |
| 45 | 114-8491 | 1 | Washer | 132 | 117-5362 | 1 | Control Arm Kit |
| 50 | 120-5537 | 1 | Spring-Compression | 133 | 106-8688 | 1 | Brake Arm Kit |
| 51 | 120-5538 | 1 | Washer | 134 | 112-9861 | 1 | Center Section Filter Kit |
| 52 | 104-5306 | 1 | Shaft-Input | 135 | 114-1634 | 1 | Filter Kit |
| 53 | 104-5311 | 1 | Bearing-Ball | 136 | 121-5730 | 1 | RH Expansion Tank Kit |
| 55 | 104-5308 | 1 | Spacer | 137 | 120-5549 | 1 | Bypass Kit |
| 60 | 94-6922 | 1 | Bearing-Thrust | 138 | 121-5731 | 1 | Hub Kit |
| 70 | 104-5339 | 1 | Washer-Flat | 139 | 121-5729 | 1 | Fan Pulley Kit |
| 72 | 104-5316 | 1 | Gear-Pinion, 13T | 150 | 104-5349 | 1 | Fitting-SAE |
| 73 | 106-8683 | 1 | Shaft-Motor | 151 | 115-8302 | 1 | Hose |
| 74 | 104-5360 | 1 | Washer | 159 | 121-5728 | 1 | Case-Tube |
| 80 | 119-5541 | 2 | Washer | 160 | 125-0041 | 1 | Cap-Axle |
| 81 | 104-5317 | 1 | Gear-10T/48T | 161 | 114-8467 | 1 | Puller-Hub, 4 Bolt |
| 82 | 104-5318 | 1 | Gear-Jackshaft, 10T | 162 | 120-7103 | 1 | Seal And Ring Kit |

● Not illustrated

Brake Assembly (continued)

| <i>Ref.</i> | <i>Part Number</i> | <i>Qty.</i> | <i>Description</i> | <i>Ref.</i> | <i>Part Number</i> | <i>Qty.</i> | <i>Description</i> |
|-------------|--------------------|-------------|----------------------|-------------|--------------------|-------------|--------------------|
| 1 | 130-0790-03 | 1 | Bracket-Mount, Brake | 7 | 121-2974 | 1 | Rod-Brake, RH |
| 2 | 136-4213 | 1 | Brake Box ASM | 8 | 121-2975 | 1 | Rod-Brake, LH |
| 3 | 132-6949 | 1 | Cover-Connector | 9 | 3296-42 | 2 | Nut-Lock, NI |
| 4 | 32144-4 | 2 | Screw-HWH | 10 | 119-8952 | 6 | Washer |
| 5 | 32144-36 | 4 | Screw-PPH | 11 | 117-1169 | 4 | Spring-Compression |
| 6 | 94-4496 | 2 | Screw-PPH | 13 | 3290-307 | 2 | Pin-Cotter |

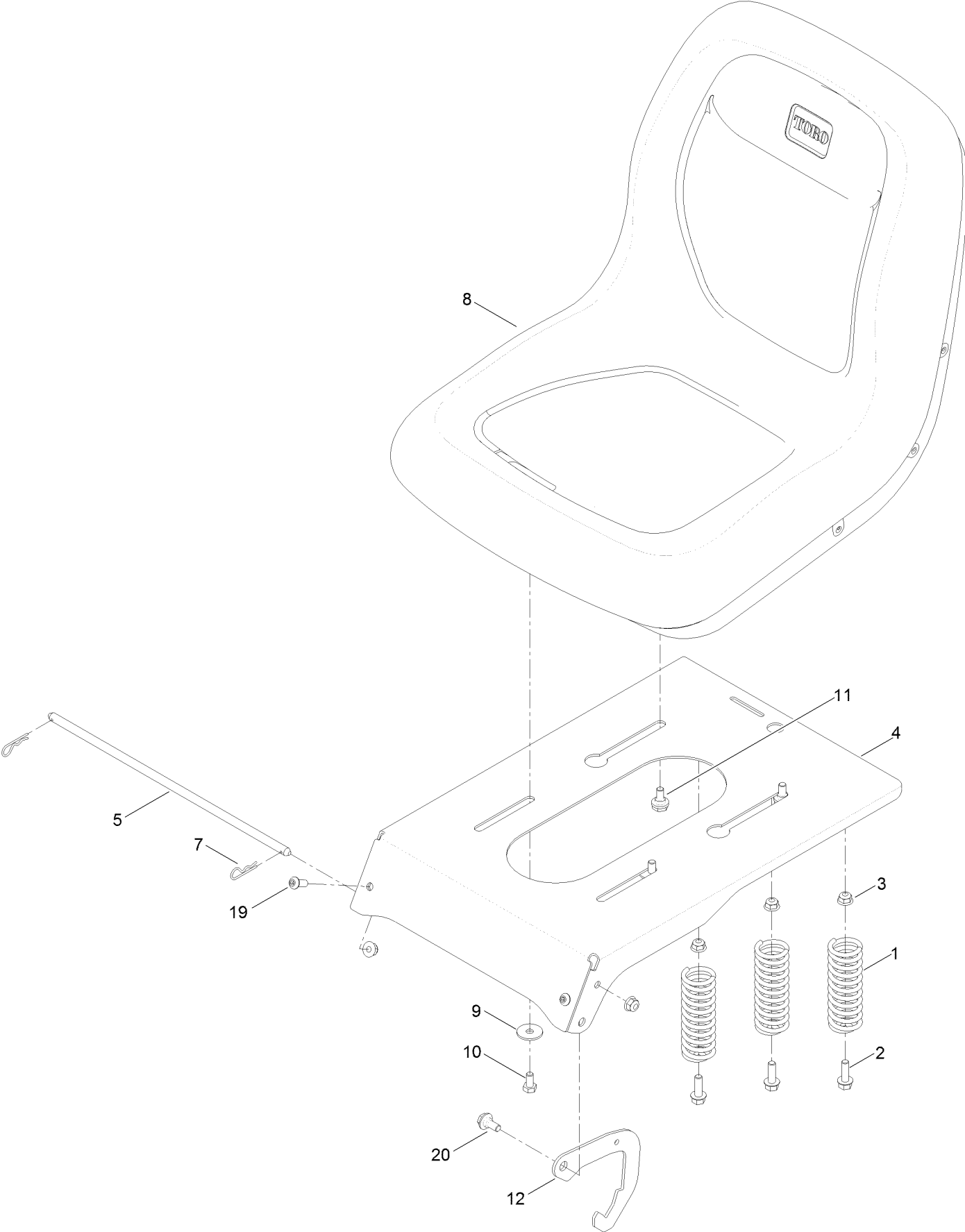
Rear Tire Assembly



Rear Tire Assembly (continued)

| <i>Ref.</i> | <i>Part Number</i> | <i>Qty.</i> | <i>Description</i> |
|-------------|--------------------|-------------|--------------------------|
| 1 | 131-3670 | 2 | 2 Ply Tire And Wheel ASM |
| 1:2 | 131-3677 | 1 | Tire-2 Ply |
| 1:3 | 232-27 | 1 | Stem-Valve |

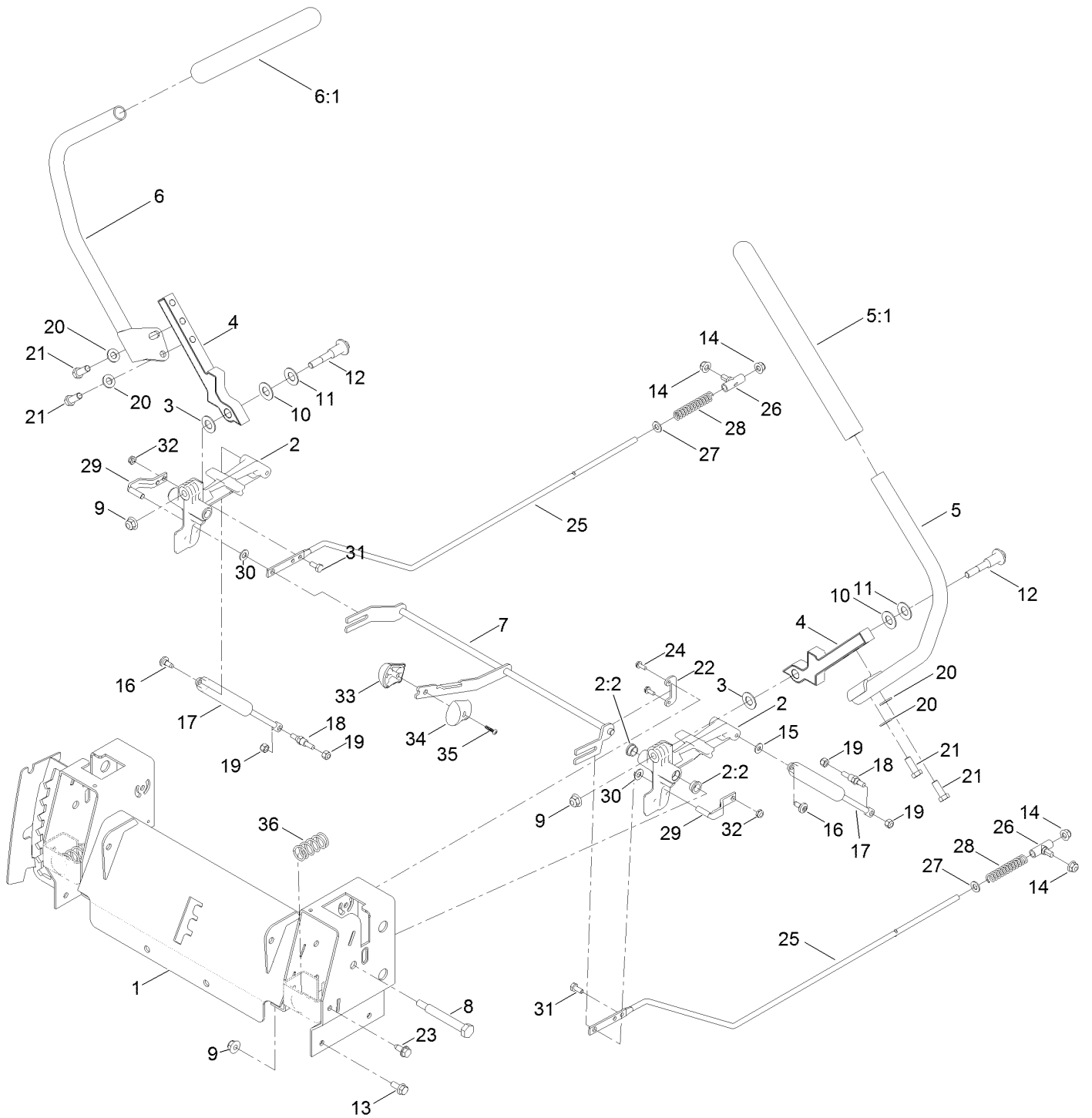
Seat Assembly



Seat Assembly (continued)

| <i>Ref.</i> | <i>Part Number</i> | <i>Qty.</i> | <i>Description</i> | <i>Ref.</i> | <i>Part Number</i> | <i>Qty.</i> | <i>Description</i> |
|-------------|--------------------|-------------|--------------------|-------------|--------------------|-------------|--------------------|
| 1 | 92-7054 | 3 | Spring-Compression | 9 | 5-4460 | 2 | Washer-Pivot |
| 2 | 3234-29 | 3 | Screw-HHF | 10 | 322-2 | 2 | Screw-HH |
| 3 | 104-8300 | 5 | Nut-HF, NI | 11 | 37-8771 | 2 | Bolt-Shoulder |
| 4 | 131-4037-01 | 1 | Pan-Seat | 12 | 132-9353 | 1 | Latch-Seat |
| 5 | 119-3433 | 1 | Rod-Pivot, Narrow | 19 | 3274-55 | 2 | Screw-HSBH |
| 7 | 3290-250 | 2 | Pin-Cotter | 20 | 19-1470 | 1 | Screw-Shoulder |
| 8 | 119-8829 | 1 | Seat-18 Inch | | | | |

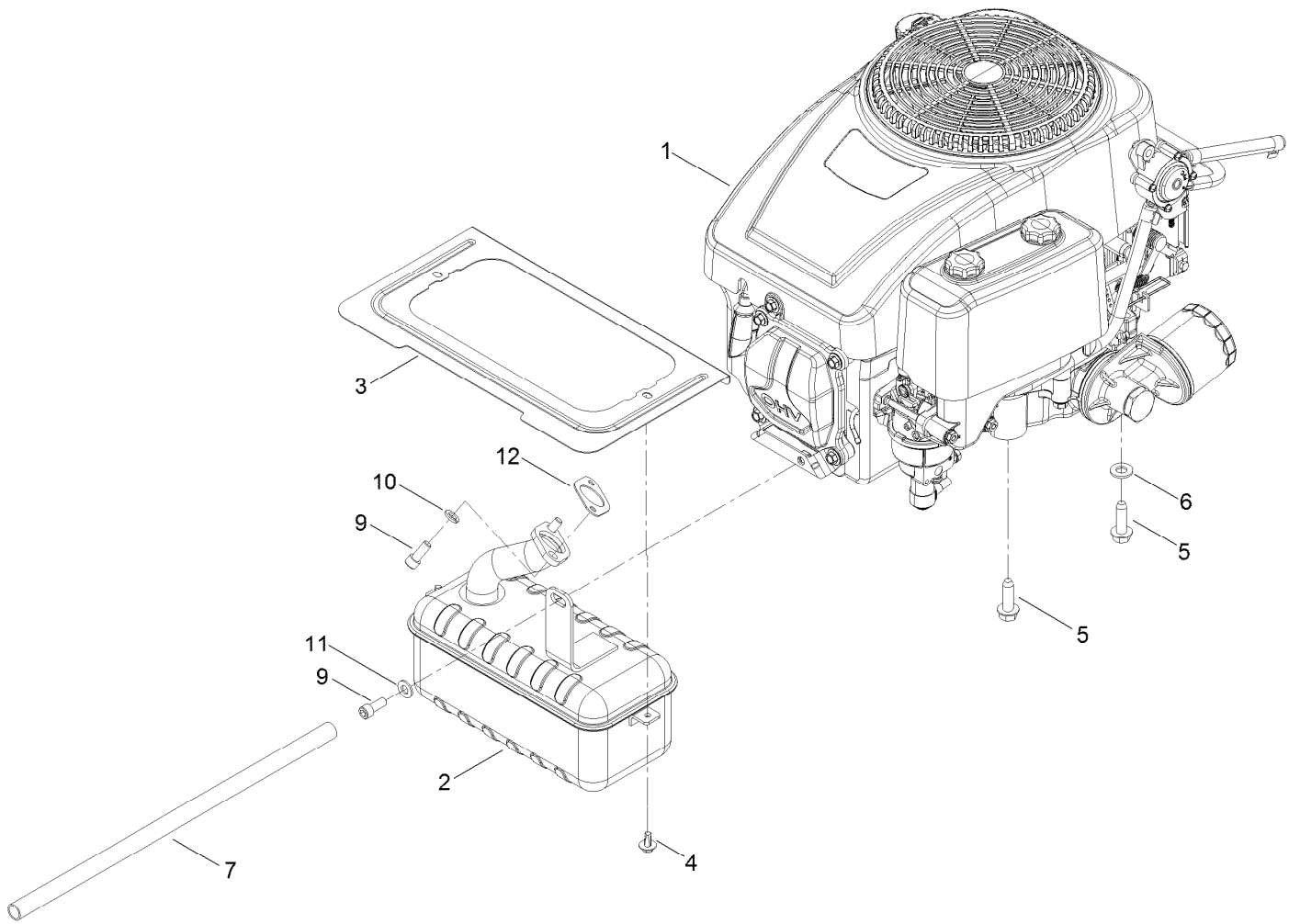
Motion Control Assembly



Motion Control Assembly (continued)

| <i>Ref.</i> | <i>Part Number</i> | <i>Qty.</i> | <i>Description</i> | <i>Ref.</i> | <i>Part Number</i> | <i>Qty.</i> | <i>Description</i> |
|-------------|--------------------|-------------|--------------------|-------------|--------------------|-------------|------------------------|
| 1 | 136-4156-03 | 1 | Control Box ASM | 18 | 110-6810 | 2 | Stud-Damper |
| 2 | 119-3470 | 2 | Actuator Arm ASM | 19 | 3296-42 | 4 | Nut-Lock, NI |
| 2:2 | 256-156 | 2 | Bushing-Flange | 20 | 3256-24 | 4 | Washer-Flat |
| 3 | 120-2273 | 2 | Washer-Nylon | 21 | 323-6 | 4 | Screw-HH |
| 4 | 133-9299-05 | 2 | Arm-Control | 22 | 117-5385 | 2 | Retainer |
| 5 | 133-7055 | 1 | Handle-Control, LH | 23 | 32144-70 | 4 | Screw-HWHTF |
| 5:1 | 121-0726 | 1 | Grip | 24 | 32144-1 | 4 | Screw-Taptite |
| 6 | 133-7057 | 1 | Handle-Control, RH | 25 | 117-5388 | 2 | Rod-Hydro |
| 6:1 | 121-0726 | 1 | Grip | 26 | 119-8842 | 2 | Mount-Rod, Hydro |
| 7 | 133-9300 | 1 | Speed Control ASM | 27 | 3256-23 | 2 | Washer-Plain |
| 8 | 115-5099 | 2 | Bolt-Pivot | 28 | 1-603807 | 2 | Spring-Return, Neutral |
| 9 | 104-8301 | 4 | Nut-HF, NI | 29 | 121-1753 | 2 | Pin-Rod, Hydro |
| 10 | 117-1240 | 2 | Washer | 30 | 93-6079 | 2 | Spacer-Nylon |
| 11 | 119-8925 | 2 | Washer-Belleville | 31 | 321-3 | 2 | Screw-HH |
| 12 | 117-1198 | 2 | Bolt-Pivot | 32 | 3296-56 | 2 | Nut-Lock, NI |
| 13 | 3234-47 | 6 | Screw-HHF | 33 | 132-9368 | 1 | Knob-RH |
| 14 | 104-8300 | 10 | Nut-HF, NI | 34 | 132-9369 | 1 | Knob-LH |
| 15 | 119-8952 | 2 | Washer | 35 | 94-4496 | 1 | Screw-PPH |
| 16 | 120-7950 | 2 | Screw-Shoulder | 36 | 119-8876 | 2 | Spring-Return |
| 17 | 131-4132 | 2 | Damper | | | | |

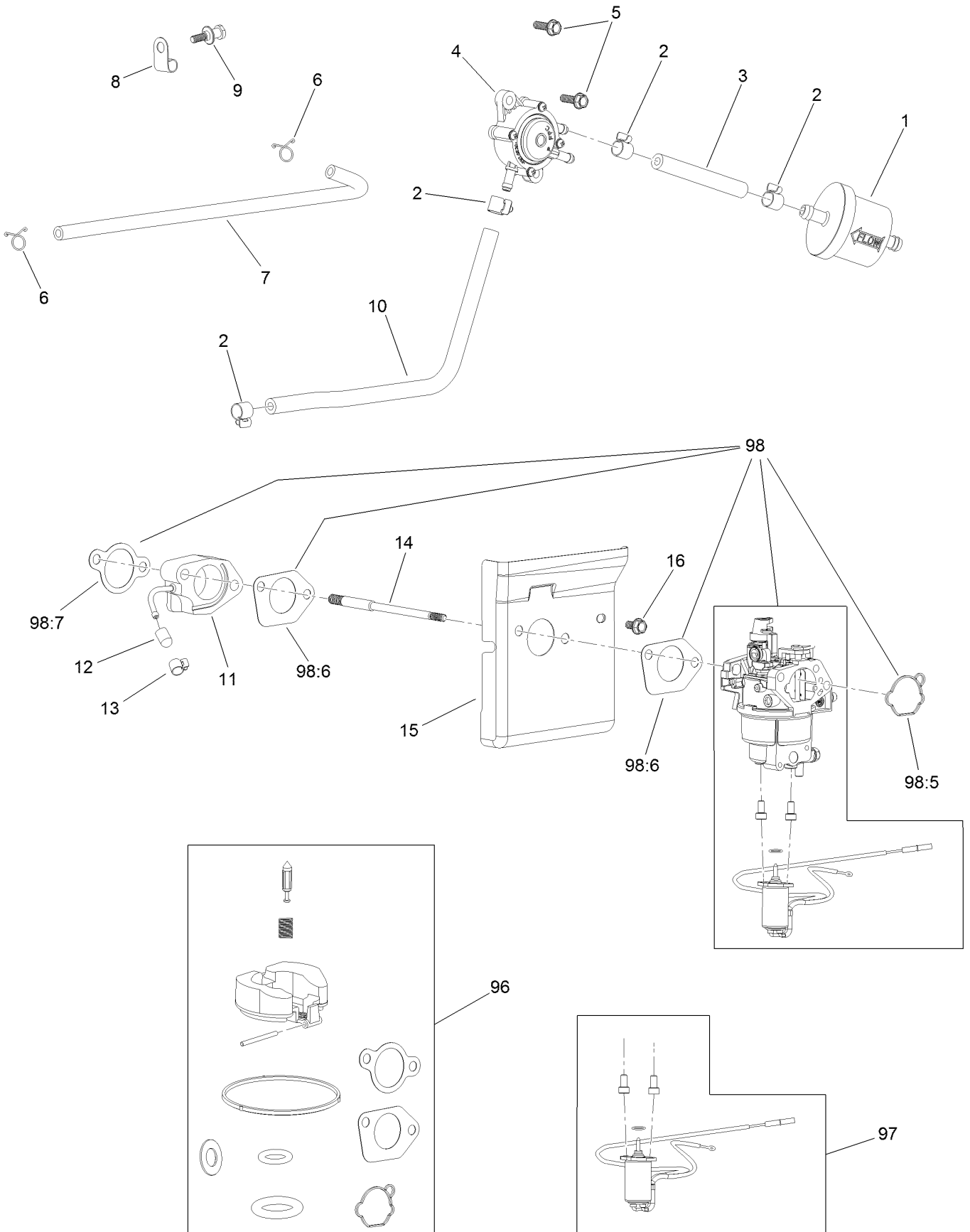
Engine and Muffler Assembly



Engine and Muffler Assembly (continued)

| <i>Ref.</i> | <i>Part Number</i> | <i>Qty.</i> | <i>Description</i> | <i>Ref.</i> | <i>Part Number</i> | <i>Qty.</i> | <i>Description</i> |
|-------------|--------------------|-------------|--------------------|-------------|--------------------|-------------|--------------------|
| 1 | 121-0412 | 1 | Engine-1P92F-1 | 7 | 106-7022 | 1 | Tube-Drain, Oil |
| 2 | 130-0691 | 1 | Muffler | 9 | 3274-10 | 3 | Screw-HSH |
| 3 | 131-1071-03 | 1 | Shield-Heat | 10 | 3253-4 | 2 | Washer-Lock |
| 4 | 46-8560 | 2 | Screw-HHFTF | 11 | 3256-23 | 1 | Washer-Plain |
| 5 | 32144-109 | 4 | Screw-Thd Form HWH | 12 | 120-4317 | 1 | Gasket-Exhaust |
| 6 | 3256-24 | 3 | Washer-Flat | | | | |

Fuel System Assembly

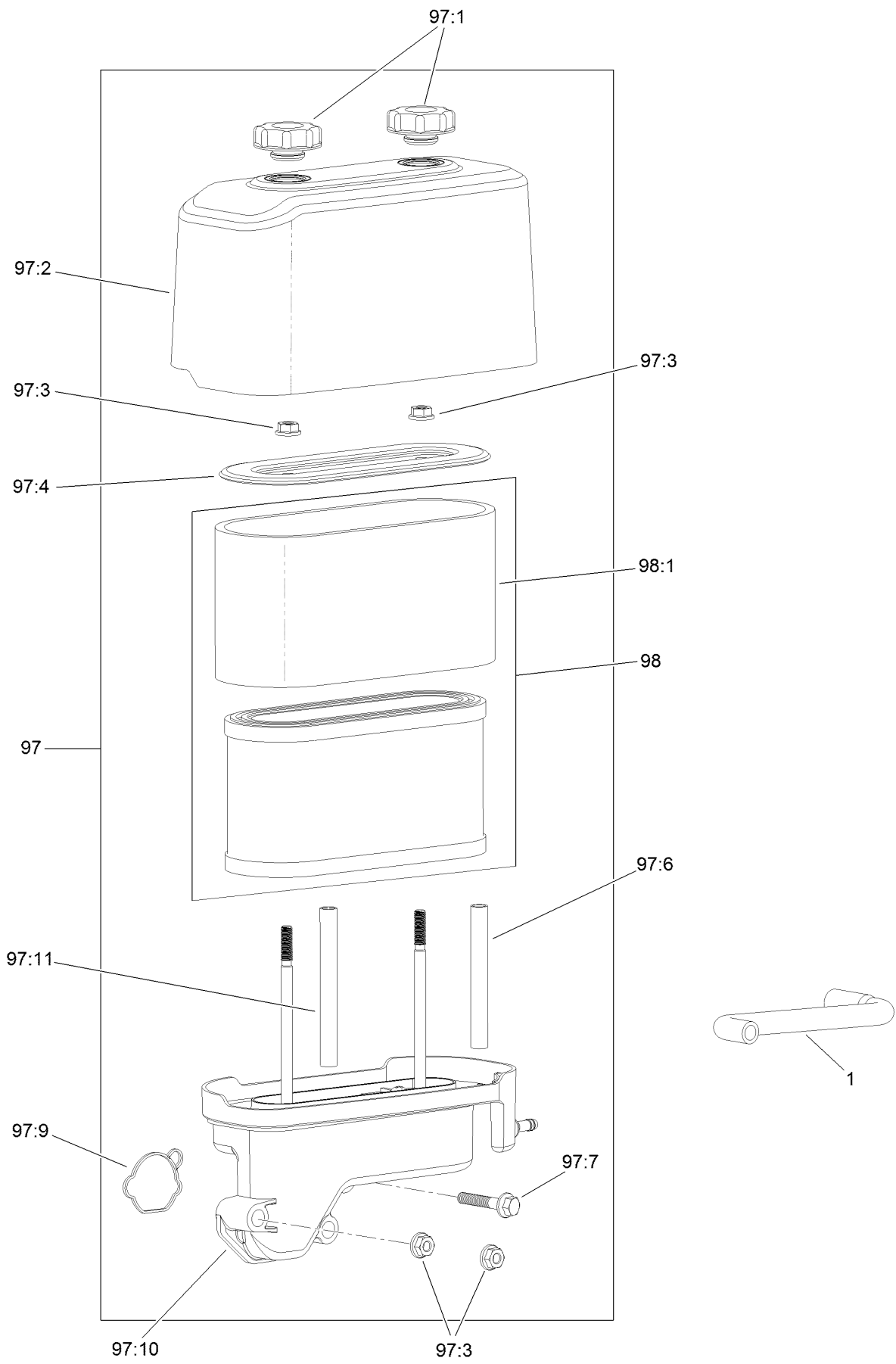


Fuel System Assembly (continued)

| <i>Ref.</i> | <i>Part Number</i> | <i>Qty.</i> | <i>Description</i> | <i>Ref.</i> | <i>Part Number</i> | <i>Qty.</i> | <i>Description</i> |
|-------------|--------------------|-------------|----------------------|-------------|--------------------|-------------|---------------------------------|
| 1 | 133-1563 | 1 | Filter-Fuel | 13 | 127-9187 | 1 | Clamp-Hose |
| 2 | 120-4251 | 4 | Clamp-Fuel Line | 14 | 120-4202 | 2 | Stud-Mount, Carburetor |
| 3 | 120-4371 | 1 | Line-Fuel | 15 | 127-9182 | 1 | Shroud |
| 4 | 120-4353 | 1 | Pump-Pulse, Fuel | 16 | 120-4216 | 1 | Screw-HHF |
| 5 | 120-4232 | 2 | Screw-HHF | 96 | 127-9194 | 1 | Carb Repair Kit With Gaskets |
| 6 | 121-0114 | 2 | Clamp-Hose | 97 | 127-9190 | 1 | Solenoid Kit |
| 7 | 120-4372 | 1 | Line-Pulse | 98 | 127-9183 | 1 | Carburetor Kit |
| 8 | 120-4287 | 1 | Clamp-J | 98:5 | 127-9185 | 1 | Gasket-Carburetor |
| 9 | 120-4217 | 1 | Screw-Shoulder, HH | 98:6 | 120-4247 | 2 | Gasket-Carburetor |
| 10 | 120-4370 | 1 | Line-Fuel | 98:7 | 120-4250 | 1 | Gasket-Carburetor |
| 11 | 127-9181 | 1 | Insulator-Carburetor | 99 | 133-9929 | 1 | High Altitude Kit ● |
| 12 | 127-9189 | 1 | Cap-Seal | | | | |

● Not illustrated

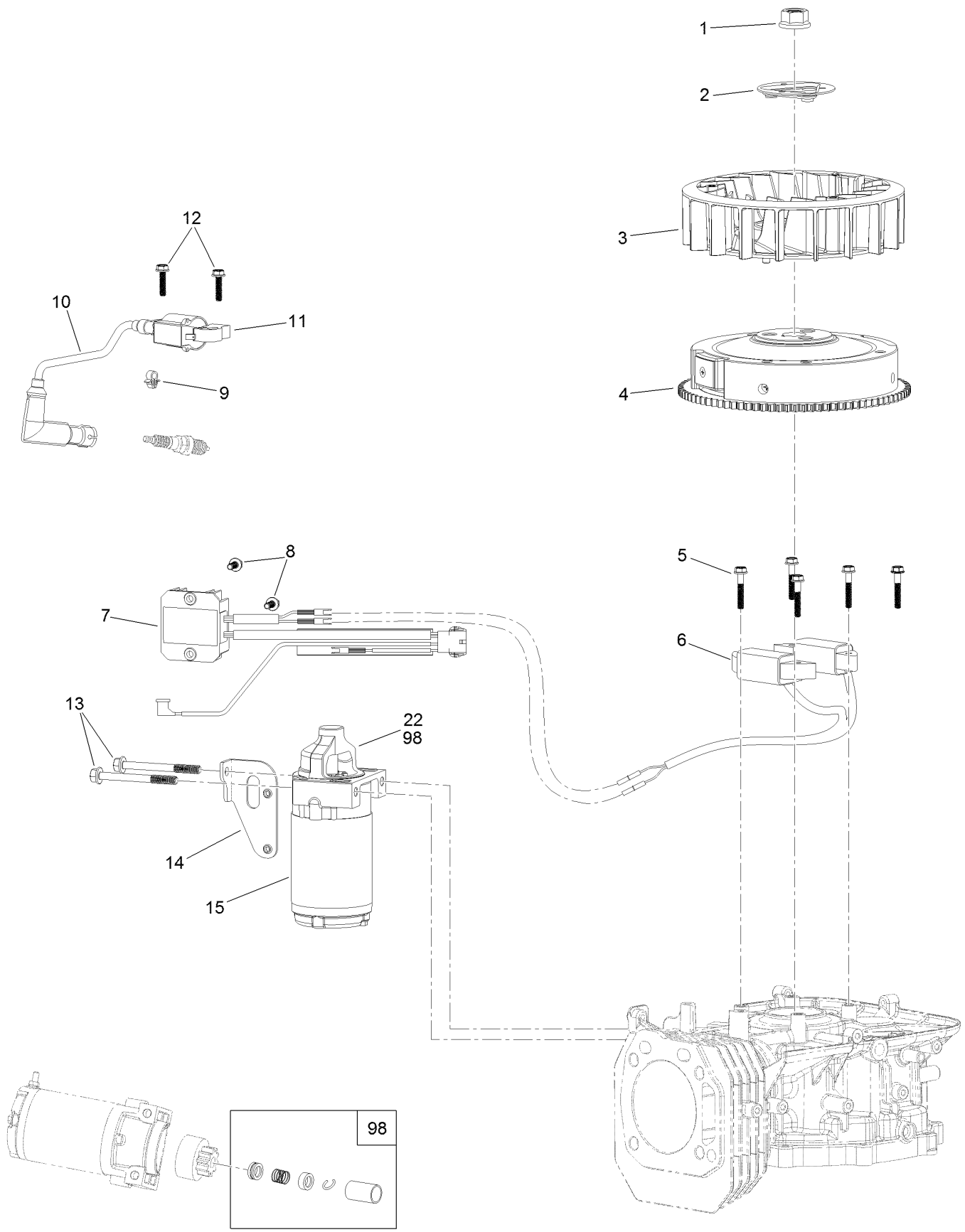
Air Intake and Filtration Assembly



Air Intake and Filtration Assembly (continued)

| <i>Ref.</i> | <i>Part Number</i> | <i>Qty.</i> | <i>Description</i> | <i>Ref.</i> | <i>Part Number</i> | <i>Qty.</i> | <i>Description</i> |
|-------------|--------------------|-------------|---------------------|-------------|--------------------|-------------|--------------------|
| 1 | 120-4255 | 1 | Tube-Breather | 97:7 | 120-4284 | 1 | Screw-HHF |
| 97 | 127-9186 | 1 | Air Cleaner Kit | 97:9 | 127-9185 | 1 | Gasket-Carburetor |
| 97:1 | 120-4312 | 2 | Nut-Speed | 97:10 | 127-9191 | 1 | Base-Filter, Air |
| 97:2 | 120-4311 | 1 | Cover-Filter, Air | 97:11 | 120-4334 | 1 | Spacer-Filter, Air |
| 97:3 | 120-4236 | 4 | Nut-Flange | 98 | 127-9193 | 1 | Air Filter Kit |
| 97:4 | 120-4310 | 1 | Retainer-Air Filter | 98:1 | 120-4309 | 1 | Prefilter |
| 97:6 | 120-4333 | 1 | Spacer-Filter, Air | | | | |

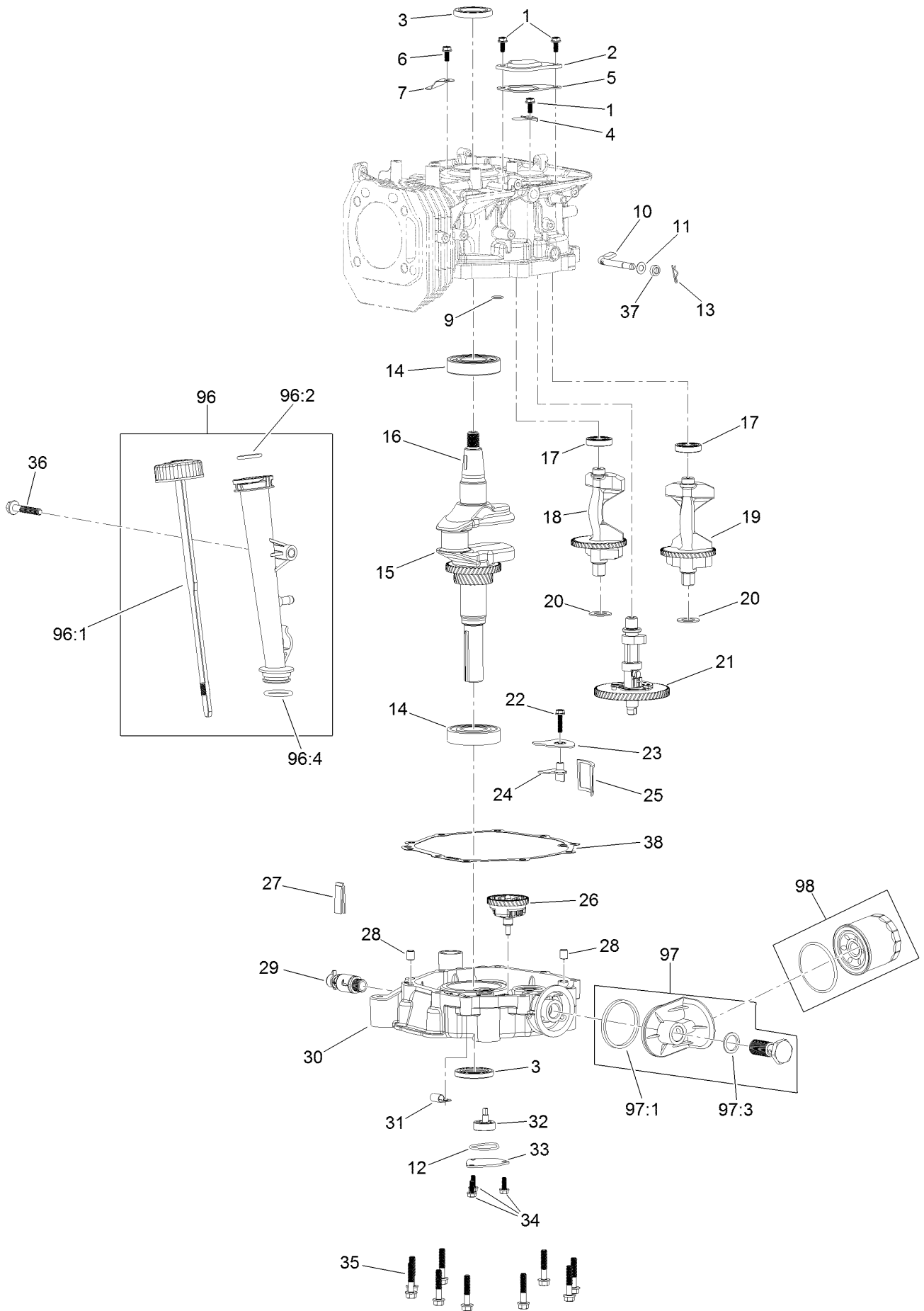
Ignition and Electrical Assembly



Ignition and Electrical Assembly (continued)

| <i>Ref.</i> | <i>Part Number</i> | <i>Qty.</i> | <i>Description</i> | <i>Ref.</i> | <i>Part Number</i> | <i>Qty.</i> | <i>Description</i> |
|-------------|--------------------|-------------|--------------------|-------------|--------------------|-------------|--------------------|
| 1 | 120-4213 | 1 | Nut-Flange | 10 | 120-4226 | 1 | Boot-Plug, Spark |
| 2 | 120-4212 | 1 | Pulley-Starter | 11 | 127-9177 | 1 | Ignition Coil ASM |
| 3 | 120-4211 | 1 | Fan-Cooling | 12 | 120-4225 | 2 | Screw-HHF |
| 4 | 120-4399 | 1 | Flywheel | 13 | 120-4231 | 2 | Screw-HHF |
| 5 | 120-4223 | 4 | Screw-HHF | 14 | 120-4230 | 1 | Bracket-Starter |
| 6 | 127-9176 | 1 | Alternator | 15 | 133-9832 | 1 | Motor-Starter |
| 7 | 127-9178 | 1 | Voltage Regulator | 22 | 133-1562 | 1 | Pinion-Starter |
| 8 | 120-4216 | 3 | Screw-HHF | 98 | 120-4392 | 1 | Starter Repair Kit |
| 9 | 120-4316 | 1 | Clamp-Wire | | | | |

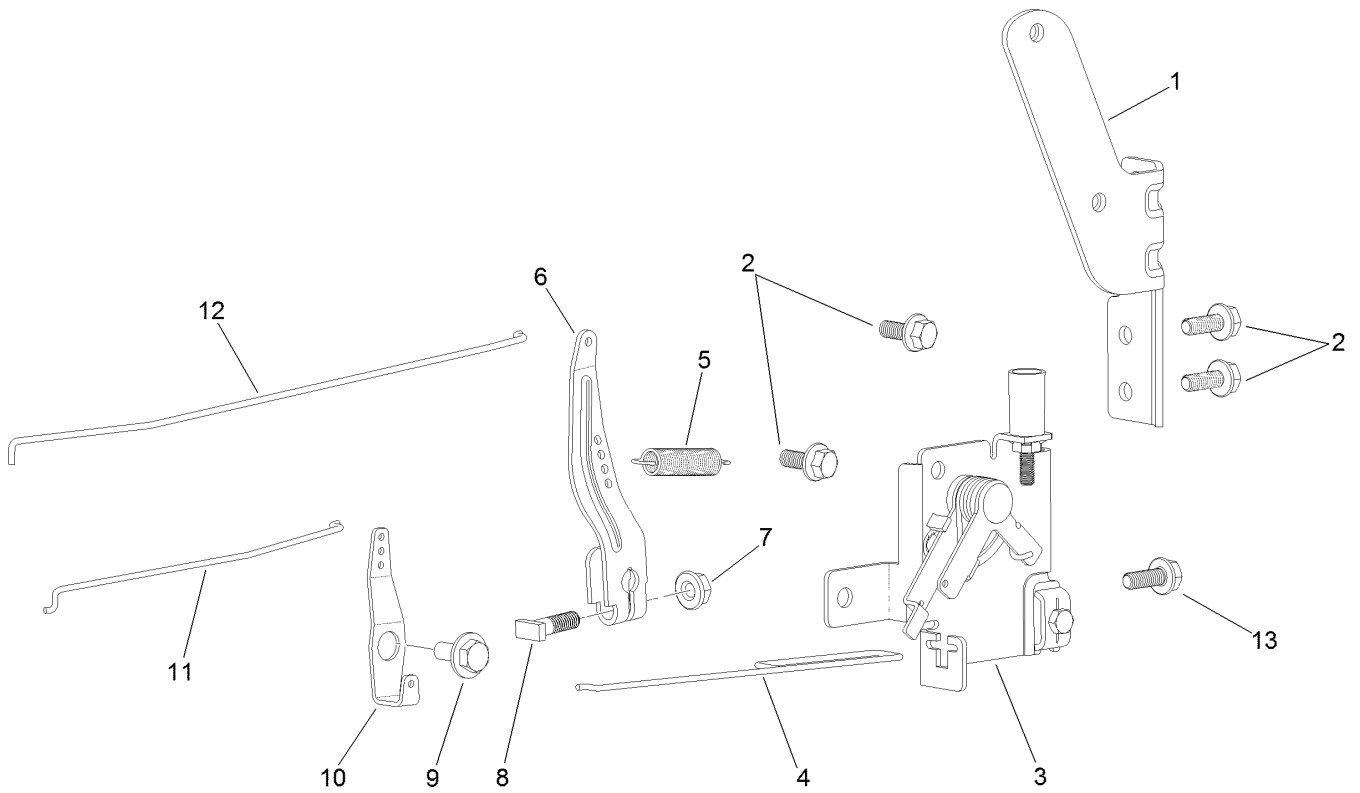
Crankcase Assembly



Crankcase Assembly (continued)

| <i>Ref.</i> | <i>Part Number</i> | <i>Qty.</i> | <i>Description</i> | <i>Ref.</i> | <i>Part Number</i> | <i>Qty.</i> | <i>Description</i> |
|-------------|--------------------|-------------|---------------------|-------------|--------------------|-------------|-----------------------|
| 1 | 120-4216 | 3 | Screw-HHF | 25 | 120-4341 | 1 | Strainer-Oil |
| 2 | 120-4265 | 1 | Plate-Breather | 26 | 120-4338 | 1 | Gear-Governor |
| 3 | 120-4267 | 2 | Seal-Oil | 27 | 120-4275 | 1 | Deflector-Oil, Rubber |
| 4 | 120-4263 | 1 | Valve-Reed | 28 | 120-4274 | 2 | Pin-Dowel |
| 5 | 120-4264 | 1 | Gasket-Breather | 29 | 120-4321 | 1 | Valve-Drain, Oil |
| 6 | 120-4234 | 1 | Screw-HHF | 30 | 120-4327 | 1 | Cover-Crankcase |
| 7 | 120-4268 | 1 | Retainer | 31 | 127-9188 | 1 | Clamp-Hose |
| 9 | 120-4262 | 1 | O-Ring | 32 | 120-4344 | 1 | Oil Pump ASM |
| 10 | 120-4382 | 1 | Shaft-Governor | 33 | 120-4270 | 1 | Cover-Pump, Oil |
| 11 | 120-4258 | 1 | Washer-Plain | 34 | 120-4232 | 3 | Screw-HHF |
| 12 | 120-4343 | 1 | Seal-Pump, Oil | 35 | 120-4273 | 10 | Screw-HHF |
| 13 | 120-4256 | 1 | Pin-Hair | 36 | 120-4284 | 1 | Screw-HHF |
| 14 | 120-4261 | 2 | Bearing-Ball | 37 | 120-4257 | 1 | Seal-Oil |
| 15 | 120-4293 | 1 | Crankshaft | 38 | 120-4260 | 1 | Gasket-Crankcase |
| 16 | 120-4320 | 1 | Key-Woodruff | 96 | 120-4355 | 1 | Dipstick And Tube Kit |
| 17 | 120-4266 | 2 | Bearing-Ball | 96:1 | 120-4350 | 1 | Dipstick ASM |
| 18 | 127-9179 | 1 | Shaft-Balance, R | 96:2 | 120-4348 | 1 | O-Ring |
| 19 | 127-9180 | 1 | Shaft-Balance, L | 96:4 | 120-4282 | 1 | O-Ring |
| 20 | 120-4295 | 2 | Washer | 97 | 120-4363 | 1 | Oil Adaptor Kit |
| 21 | 120-4297 | 1 | Camshaft | 97:1 | 120-4362 | 1 | Seal-Adaptor, Oil |
| 22 | 120-4225 | 1 | Screw-HHF | 97:3 | 120-4360 | 1 | Washer-Filter, Oil |
| 23 | 120-4342 | 1 | Cover-Strainer, Oil | 98 | 120-4276 | 1 | Filter-Oil |
| 24 | 120-4279 | 1 | Plate-Baffle, Oil | | | | |

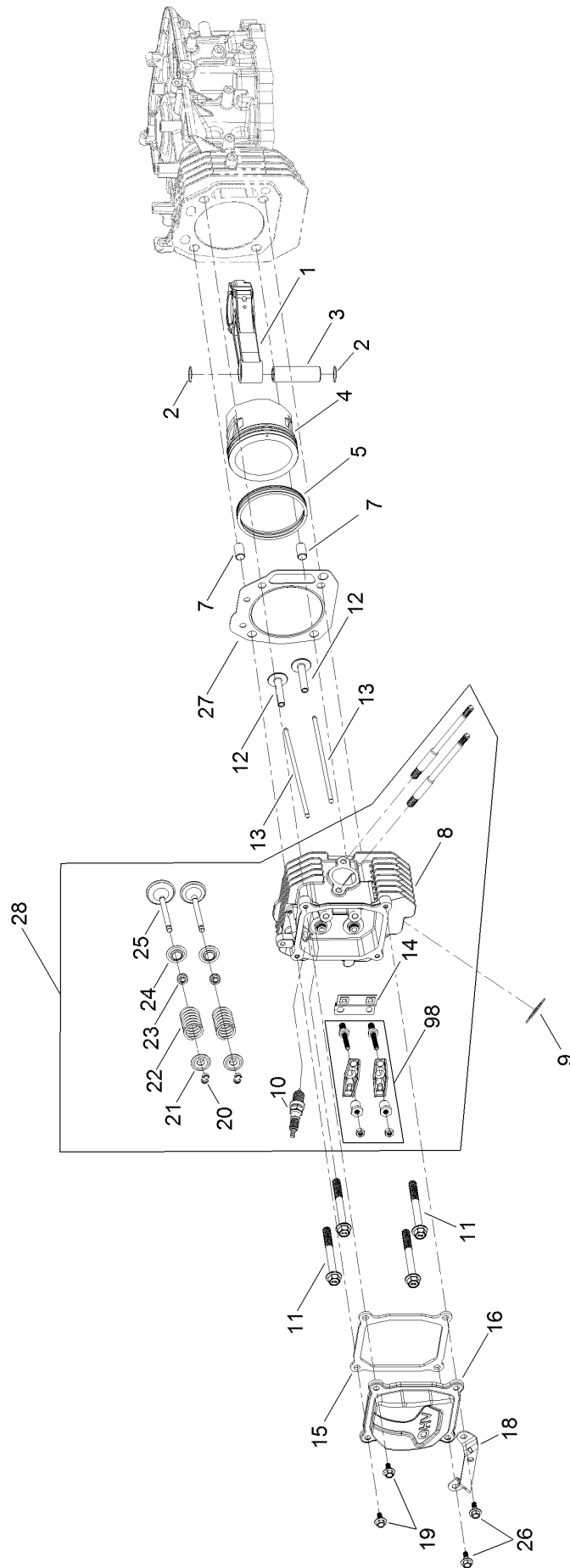
Governor Control Assembly



Governor Control Assembly (continued)

| <i>Ref.</i> | <i>Part Number</i> | <i>Qty.</i> | <i>Description</i> | <i>Ref.</i> | <i>Part Number</i> | <i>Qty.</i> | <i>Description</i> |
|-------------|--------------------|-------------|--------------------|-------------|--------------------|-------------|---------------------|
| 1 | 120-4357 | 1 | Bracket-Pump, Fuel | 8 | 120-4238 | 1 | Bolt-Arm, Governor |
| 2 | 120-4234 | 4 | Screw-HHF | 9 | 120-4241 | 1 | Screw-Shoulder, HHF |
| 3 | 120-4358 | 1 | Control-Throttle | 10 | 120-4242 | 1 | Bellcrank-Choke |
| 4 | 120-4243 | 1 | Rod-Throttle | 11 | 120-4240 | 1 | Rod-Choke |
| 5 | 120-4337 | 1 | Spring-Governor | 12 | 120-4239 | 1 | Rod-Governor |
| 6 | 120-4352 | 1 | Arm-Governor | 13 | 120-4232 | 1 | Screw-HHF |
| 7 | 120-4236 | 1 | Nut-Flange | | | | |

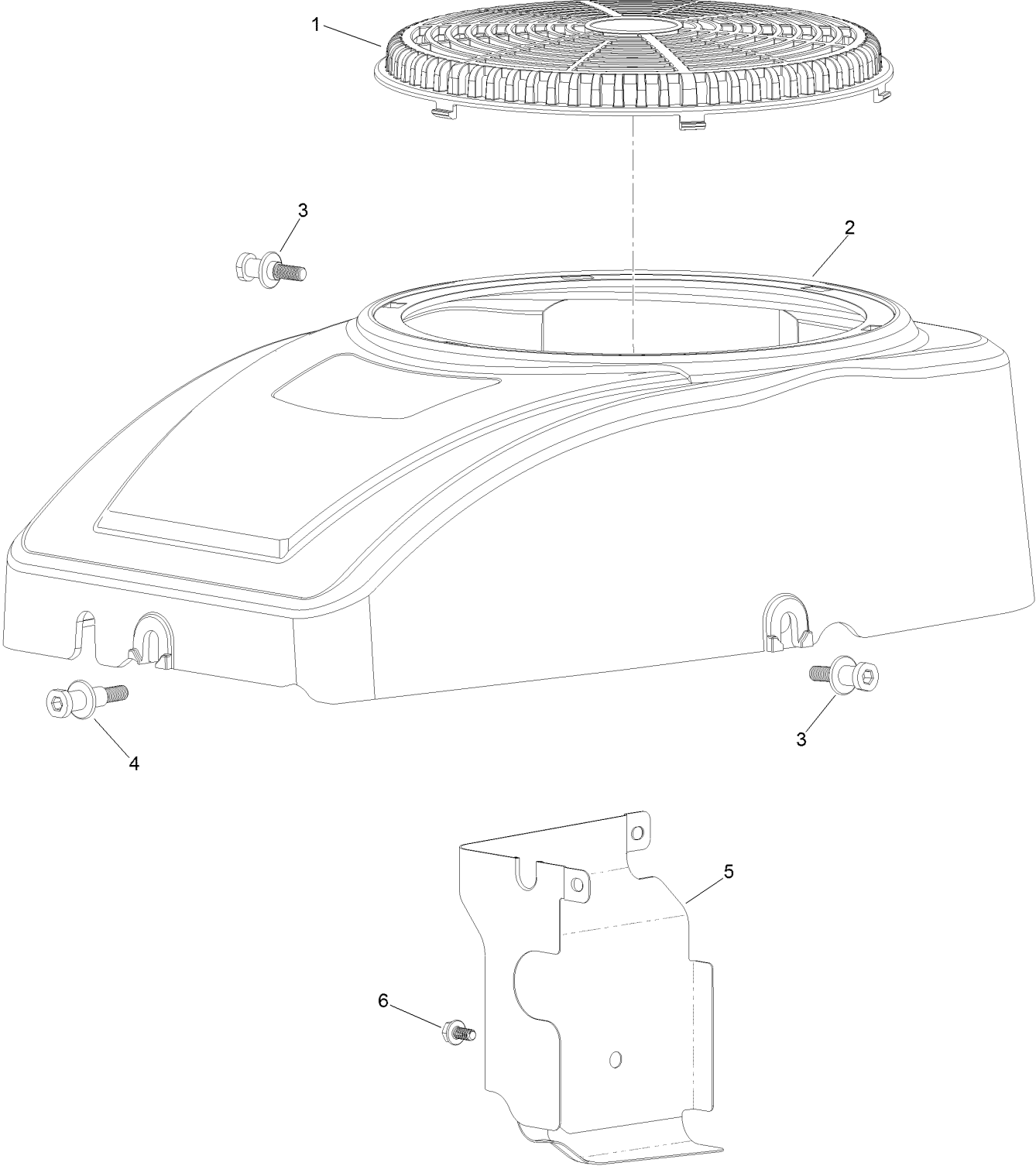
Piston and Cylinder Head Assembly



Piston and Cylinder Head Assembly (continued)

| <i>Ref.</i> | <i>Part Number</i> | <i>Qty.</i> | <i>Description</i> | <i>Ref.</i> | <i>Part Number</i> | <i>Qty.</i> | <i>Description</i> |
|-------------|--------------------|-------------|----------------------------|-------------|--------------------|-------------|------------------------|
| 1 | 120-4292 | 1 | Connecting Rod ASM | 16 | 120-4207 | 1 | Cover-Valve |
| 2 | 120-4288 | 2 | Ring-Retaining, Piston Pin | 18 | 120-4345 | 1 | Bracket-Muffler |
| 3 | 120-4291 | 1 | Pin-Piston | 19 | 120-4209 | 2 | Screw-Shoulder, HHF |
| 4 | 120-4290 | 1 | Piston | 20 | 120-4307 | 4 | Keeper-Valve |
| 5 | 120-4289 | 1 | Ring Set | 21 | 120-4306 | 2 | Retainer-Spring, Valve |
| 7 | 120-4200 | 2 | Pin-Dowel | 22 | 120-4305 | 2 | Spring-Valve |
| 8 | 120-4203 | 1 | Head-Cylinder | 23 | 120-4304 | 2 | Seal-Stem, Valve |
| 9 | 120-4317 | 1 | Gasket-Exhaust | 24 | 120-4303 | 2 | Seat-Spring, Valve |
| 10 | 77-7330 | 1 | Plug-Spark | 25 | 120-4302 | 2 | Valve Set |
| 11 | 120-4205 | 4 | Screw-HHF | 26 | 120-4210 | 2 | Screw-Shoulder, HHF |
| 12 | 120-4298 | 2 | Lifter-Valve | 27 | 120-4201 | 1 | Gasket-Cylinder |
| 13 | 120-4340 | 2 | Rod-Push | 28 | 133-9845 | 1 | Complete Head ASM |
| 14 | 120-4300 | 1 | Plate-Guide, Push Rod | 98 | 120-4301 | 1 | Rocker Arm Kit |
| 15 | 120-4206 | 1 | Gasket-Cover, Valve | | | | |

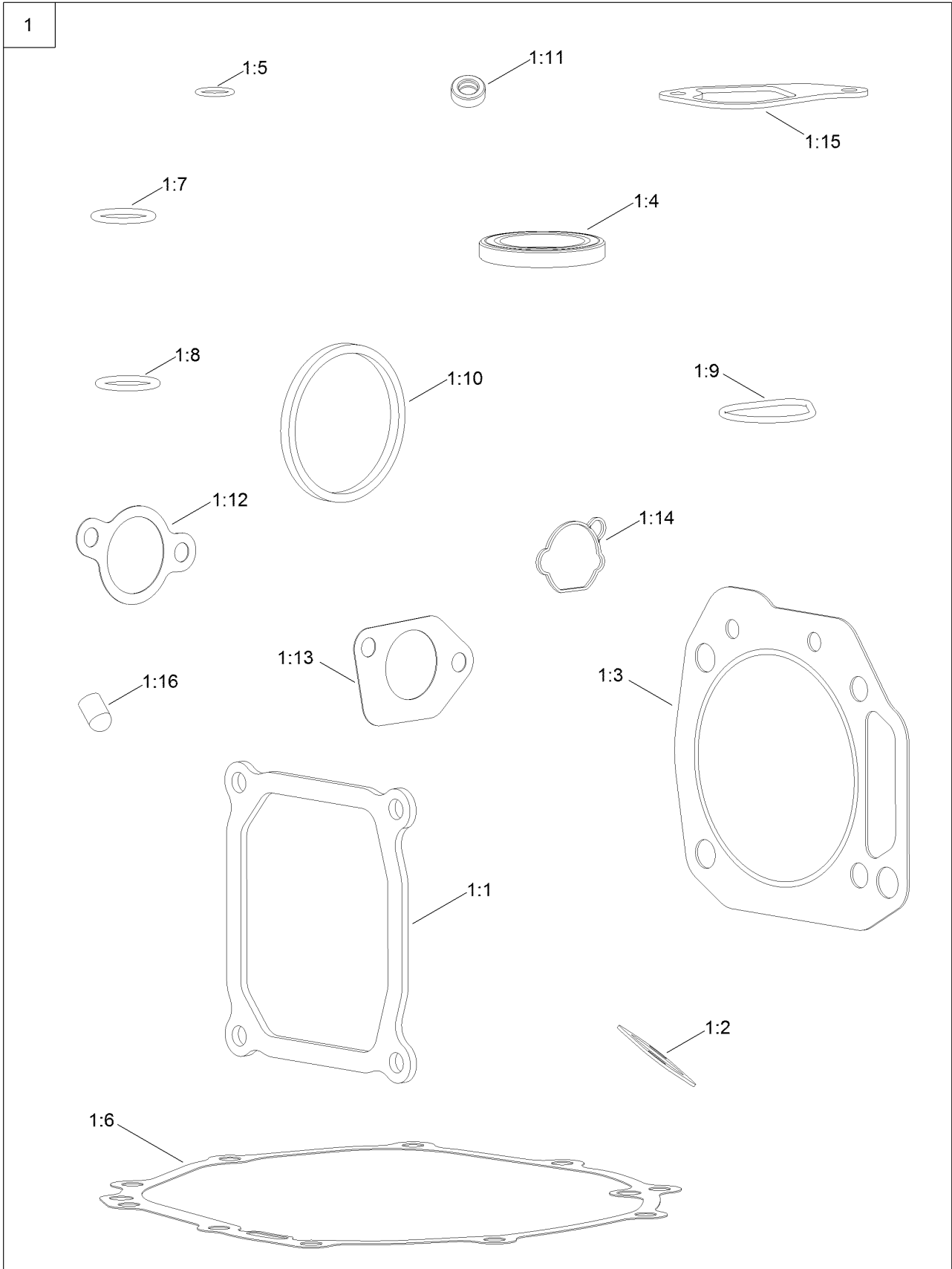
Blower Housing Assembly



Blower Housing Assembly (continued)

| <i>Ref.</i> | <i>Part Number</i> | <i>Qty.</i> | <i>Description</i> | <i>Ref.</i> | <i>Part Number</i> | <i>Qty.</i> | <i>Description</i> |
|-------------|--------------------|-------------|--------------------|-------------|--------------------|-------------|--------------------|
| 1 | 120-4219 | 1 | Screen-Stationary | 4 | 120-4214 | 1 | Screw-Shoulder, HH |
| 2 | 120-4218 | 1 | Shroud-Fan | 5 | 120-4215 | 1 | Shield |
| 3 | 120-4217 | 2 | Screw-Shoulder, HH | 6 | 120-4216 | 1 | Screw-HHF |

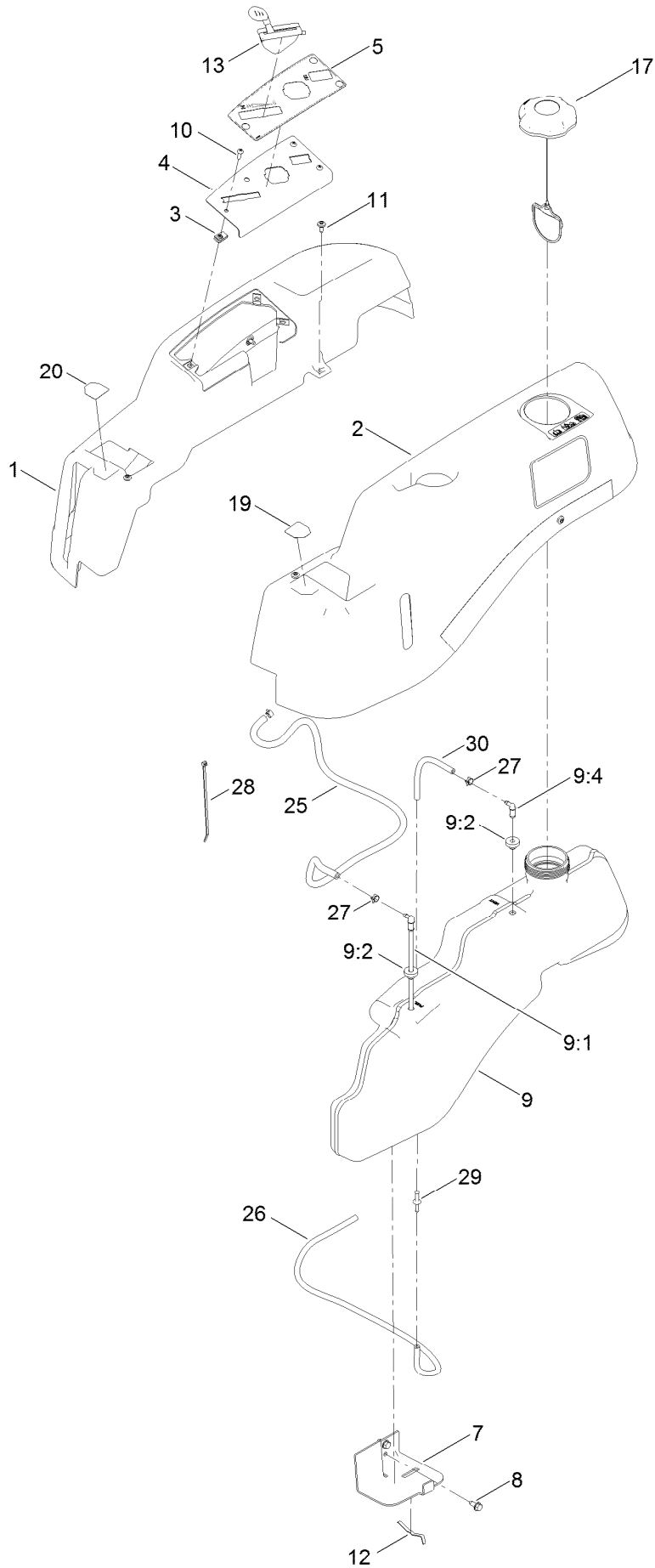
Gasket and Seal Kit Assembly



Gasket and Seal Kit Assembly (continued)

| <i>Ref.</i> | <i>Part Number</i> | <i>Qty.</i> | <i>Description</i> | <i>Ref.</i> | <i>Part Number</i> | <i>Qty.</i> | <i>Description</i> |
|-------------|--------------------|-------------|---------------------|-------------|--------------------|-------------|--------------------|
| 1 | 127-9192 | 1 | Gasket And Seal Kit | 1:9 | 120-4343 | 1 | Seal-Pump, Oil |
| 1:1 | 120-4206 | 1 | Gasket-Cover, Valve | 1:10 | 120-4362 | 1 | Seal-Adaptor, Oil |
| 1:2 | 120-4317 | 1 | Gasket-Exhaust | 1:11 | 120-4257 | 1 | Seal-Oil |
| 1:3 | 120-4201 | 1 | Gasket-Cylinder | 1:12 | 120-4250 | 1 | Gasket-Carburetor |
| 1:4 | 120-4267 | 2 | Seal-Oil | 1:13 | 120-4247 | 2 | Gasket-Carburetor |
| 1:5 | 120-4262 | 1 | O-Ring | 1:14 | 127-9185 | 1 | Gasket-Carburetor |
| 1:6 | 120-4260 | 1 | Gasket-Crankcase | 1:15 | 120-4264 | 1 | Gasket-Breather |
| 1:7 | 120-4348 | 1 | O-Ring | 1:16 | 127-9189 | 1 | Cap-Seal |
| 1:8 | 120-4282 | 1 | O-Ring | | | | |

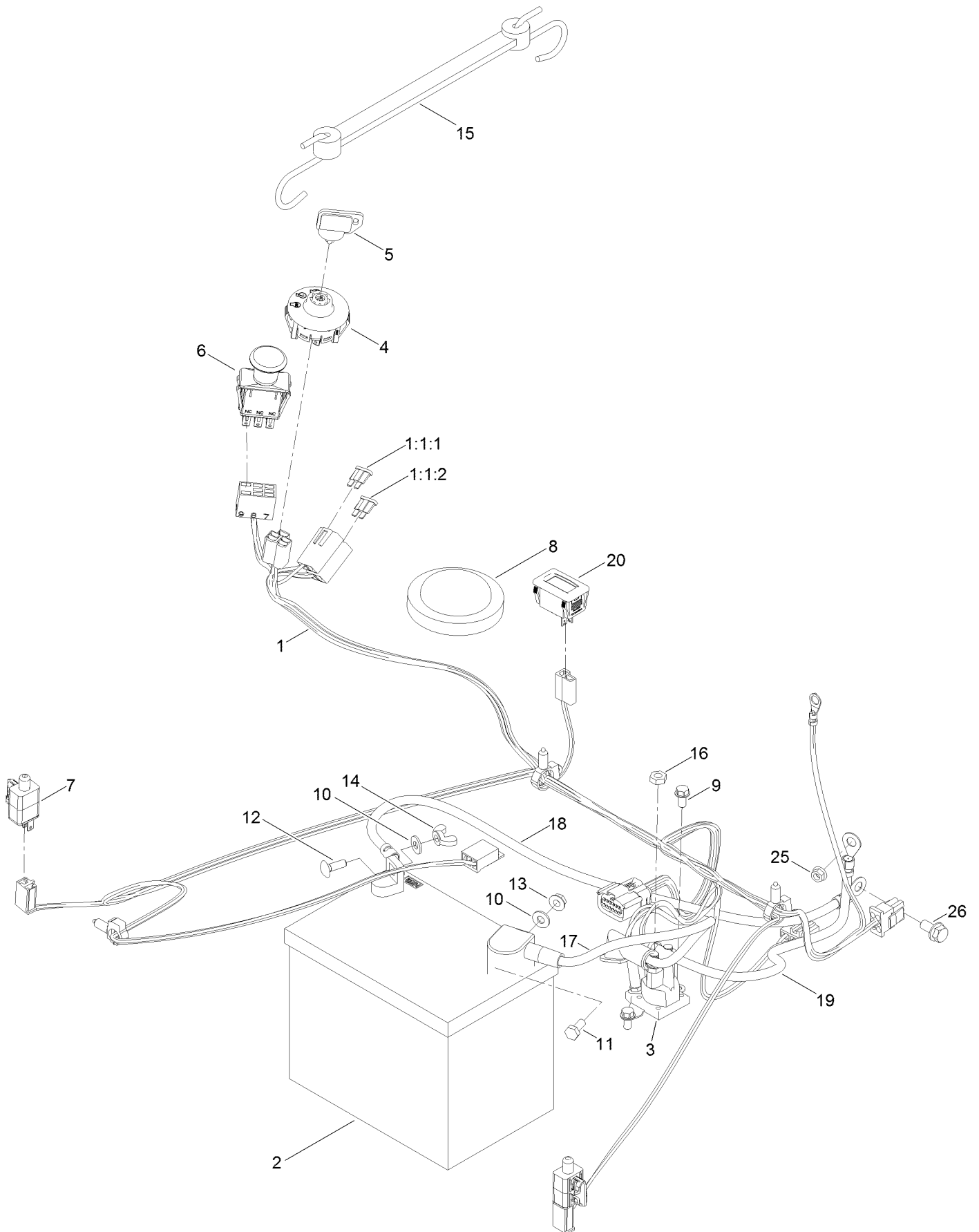
Body Styling and Fuel Tank Assembly



Body Styling and Fuel Tank Assembly (continued)

| <i>Ref.</i> | <i>Part Number</i> | <i>Qty.</i> | <i>Description</i> | <i>Ref.</i> | <i>Part Number</i> | <i>Qty.</i> | <i>Description</i> |
|-------------|--------------------|-------------|-------------------------|-------------|--------------------|-------------|---------------------------|
| 1 | 119-3335 | 1 | Pod-RH | 11 | 120-7950 | 6 | Screw-Shoulder |
| 2 | 137-7008 | 1 | Pod-LH, Narrow | 12 | 609830 | 2 | Spring |
| 3 | 107069 | 3 | Clip | 13 | 121-0767 | 1 | Cable-Throttle And Choke |
| 4 | 119-3378-03 | 1 | Plate-Control | 17 | 137-4119 | 1 | Cap-Fuel, Ratcheting |
| 5 | 121-0771 | 1 | Decal-Panel, Control | 19 | 119-8814 | 1 | Decal-Lever, Control (LH) |
| 7 | 119-3476-03 | 1 | Support-Tank, Front | 20 | 119-8815 | 1 | Decal-Lever, Control (RH) |
| 8 | 32144-70 | 2 | Screw-HWHTF | 25 | 109-0307 | 1 | Hose-Fuel |
| 9 | 119-3324 | 1 | Fuel Tank ASM | 26 | 110-3254 | 1 | Hose-Fuel |
| 9:1 | 121-0793 | 1 | Connector-Elbow, 90 DEG | 27 | 2412-98 | 3 | Clamp-Hose |
| 9:2 | 46-6560 | 2 | Bushing | 28 | 614249 | 3 | Tie-Cable |
| 9:4 | 117-7400 | 1 | Fitting-Plastic | 29 | 117-5399 | 1 | Adaptor-Orifice |
| 10 | 3258-166 | 3 | Screw-PRH | 30 | 110-1876 | 1 | Hose-Fuel |

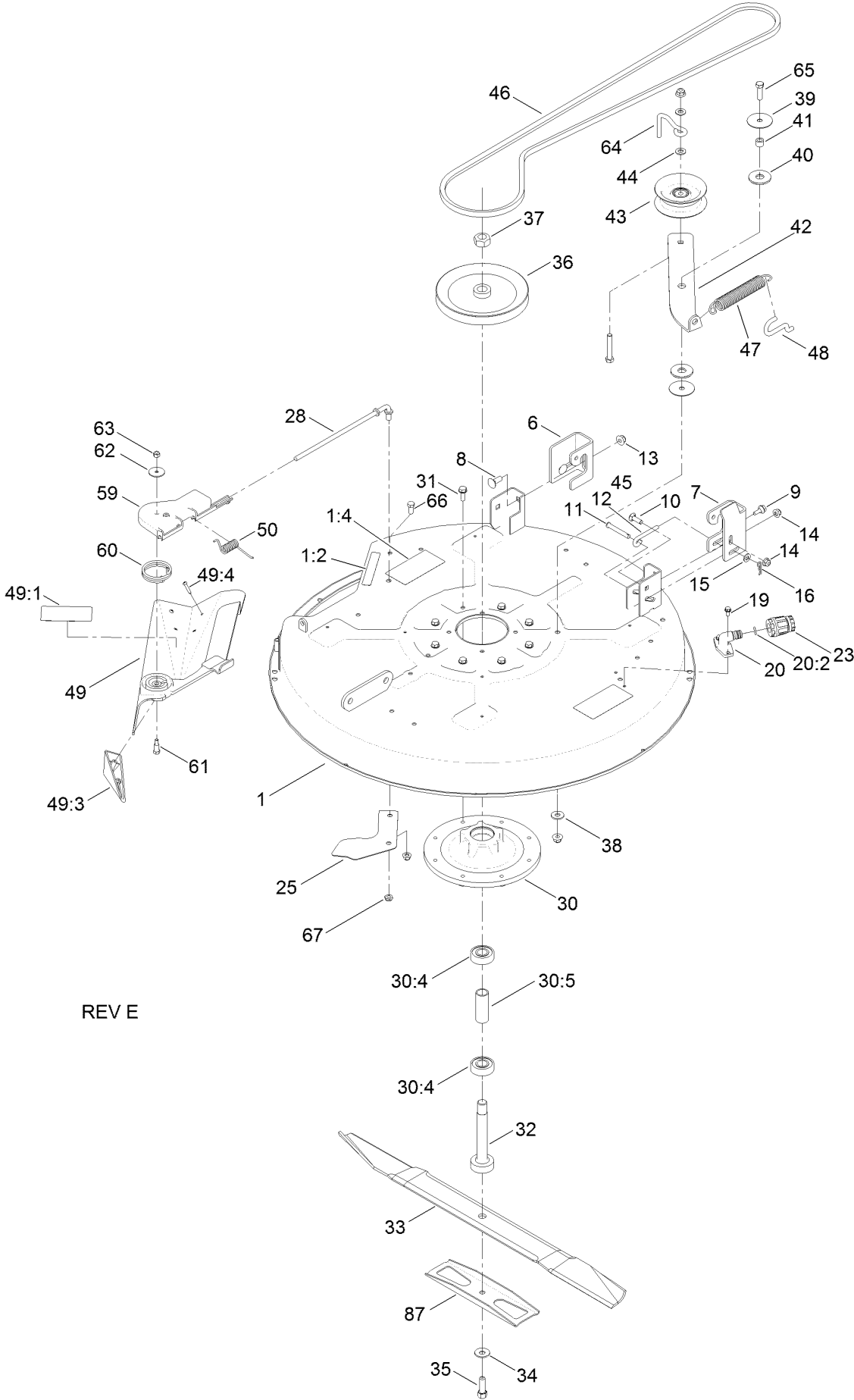
Battery and Electrical Assembly



Battery and Electrical Assembly (continued)

| <i>Ref.</i> | <i>Part Number</i> | <i>Qty.</i> | <i>Description</i> | <i>Ref.</i> | <i>Part Number</i> | <i>Qty.</i> | <i>Description</i> |
|-------------|--------------------|-------------|--------------------|-------------|--------------------|-------------|-------------------------|
| 1 | 136-7482 | 1 | Harness-Wire | 11 | 321-3 | 1 | Screw-HH |
| 1:1:1 | 109103 | 1 | Fuse-Blade, 30 Amp | 12 | 3229-1 | 1 | Bolt-CARR |
| 1:1:2 | 109102 | 1 | Fuse-Blade, 25 Amp | 13 | 32128-33 | 1 | Nut-HF |
| 2 | 105-1692 | 1 | Battery | 14 | 32103-22 | 1 | Nut-Wing |
| 3 | 117-1197 | 1 | Solenoid | 15 | 104-2466 | 1 | Holddown-Battery |
| 4 | 137-4100 | 1 | Switch-Ignition | 16 | 3220-2 | 2 | Nut-Jam |
| 5 | 63-8360 | 1 | Key-Ignition | 17 | 119-8897 | 1 | Cable-Battery, Red |
| 6 | 103-5221 | 1 | Switch-PTO | 18 | 121-0711 | 1 | Cable-Battery, Positive |
| 7 | 110-6765 | 2 | Switch | 19 | 119-8899 | 1 | Cable-Battery, Black |
| 8 | 100-3524 | 1 | Switch-Seat | 20 | 120-2244 | 1 | Hourmeter |
| 9 | 32144-4 | 2 | Screw-HWH | 25 | 33003-00 | 1 | Nut-HF |
| 10 | 3256-22 | 2 | Washer-Flat | 26 | 3234-14 | 1 | Screw-HHF |

32 Inch Deck Assembly

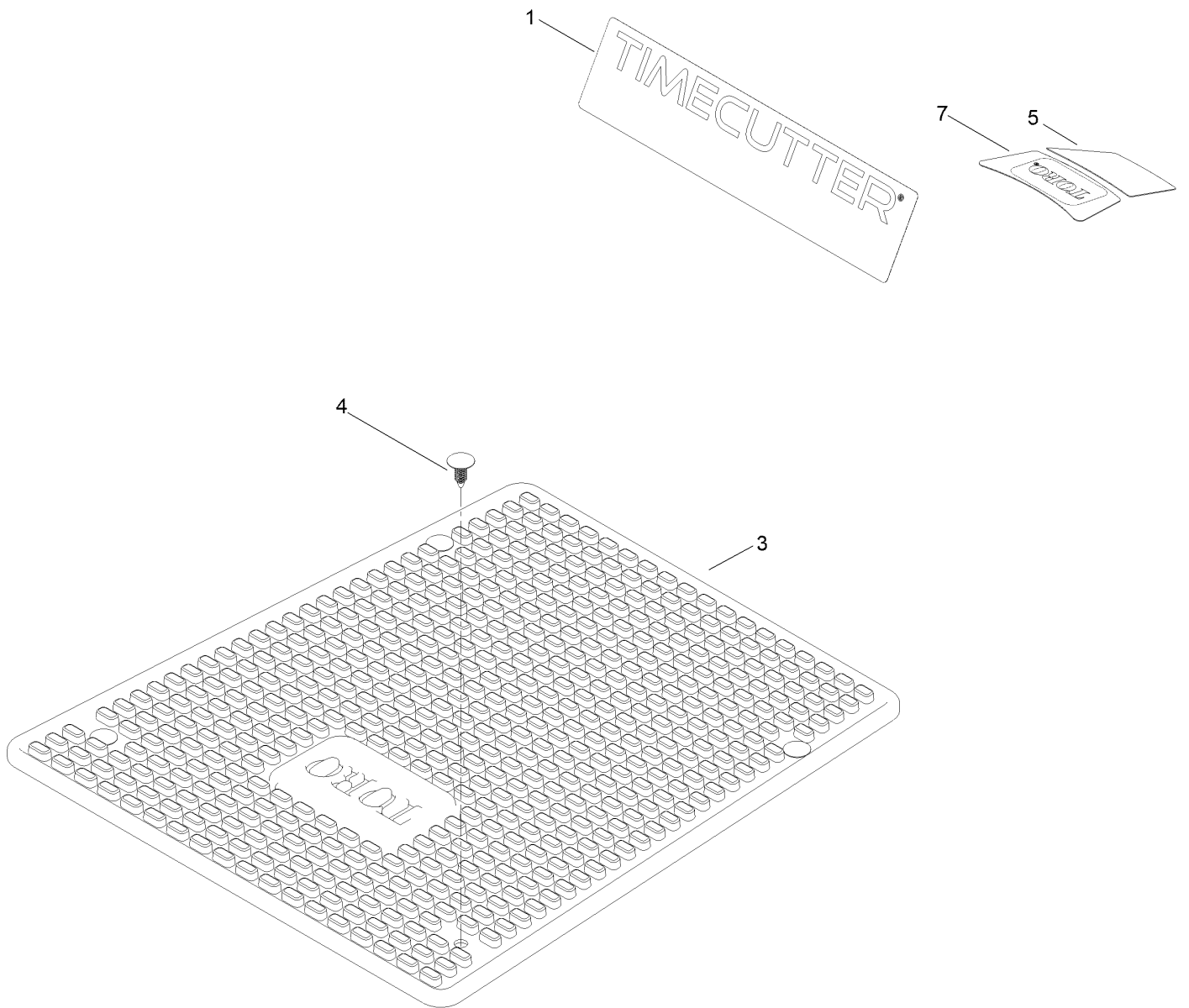


REV E

32 Inch Deck Assembly (continued)

| <i>Ref.</i> | <i>Part Number</i> | <i>Qty.</i> | <i>Description</i> | <i>Ref.</i> | <i>Part Number</i> | <i>Qty.</i> | <i>Description</i> |
|-------------|--------------------|-------------|-------------------------------|-------------|--------------------|-------------|----------------------------|
| 1 | 131-3602 | 1 | 32 Inch Deck And Decal ASM | 36 | 119-8804 | 1 | Pulley-Deck |
| 1:2 | 93-7009 | 1 | Decal-Danger | 37 | 3219-7 | 1 | Nut-Hex |
| 1:4 | 132-0872 | 2 | Decal-Danger, Deck | 38 | 80-6990 | 1 | Washer-Hardened |
| 6 | 131-4138 | 1 | Bracket-Hanger, RH | 39 | 120-2229 | 2 | Washer |
| 7 | 131-1091 | 1 | Bracket-Hanger, LH | 40 | 114-0463 | 2 | Washer-Friction, Composite |
| 8 | 3231-2 | 2 | Bolt-CARR | 41 | 115-4986 | 1 | Spacer |
| 9 | 120-7024 | 1 | Screw-Shoulder, HHF | 42 | 119-8966 | 1 | Arm-Idler |
| 10 | 3230-22 | 1 | Screw-CARR | 43 | 132-9420 | 1 | Pulley-Idler, Flat |
| 11 | 110-0618 | 1 | Pin-Clevis | 44 | 3256-24 | 2 | Washer-Flat |
| 12 | 131-0955 | 1 | Rod-Level, Deck | 45 | 323-11 | 1 | Screw-HH |
| 13 | 104-8301 | 4 | Nut-HF, NI | 46 | 119-8821 | 1 | V-Belt, 81.8 Inch |
| 14 | 104-8300 | 3 | Nut-HF, NI | 47 | 106-2177 | 1 | Spring-Extension |
| 15 | 3256-23 | 1 | Washer-Plain | 48 | 88-5970 | 1 | Hook-Return, Spring |
| 16 | 1-806003 | 1 | Pin-Cotter | 49 | 120-2298 | 1 | 32 Inch Deflector ASM |
| 19 | 32144-4 | 2 | Screw-HWH | 49:1 | 110-6691 | 1 | Decal-Danger |
| 20 | 133-9289 | 1 | Fitting-Washout | 49:3 | 93-7696 | 2 | Kicker |
| 20:2 | 133-9290 | 1 | O-Ring | 49:4 | 93-0231 | 4 | Screw-PPH |
| 23 | 95-3270 | 1 | Connector-Hose | 50 | 92-2493 | 1 | Spring-Torsion |
| 25 | 119-8877-03 | 1 | Ramp-Deflector | 59 | 88-4540 | 1 | Pivot-Hinge, Deflector |
| 28 | 119-8858 | 1 | Rod-Pivot | 60 | 88-6160 | 1 | Spring-Torsion |
| 30 | 119-0368 | 1 | Spindle Housing ASM | 61 | 92-8916 | 1 | Bolt-Shoulder |
| 30:4 | 251-297 | 2 | Bearing-Ball | 62 | 3256-55 | 1 | Washer-Flat |
| 30:5 | 83-7020 | 1 | Spacer-Bearing | 63 | 3296-42 | 1 | Nut-Lock, NI |
| 31 | 32144-41 | 8 | Screw-Taptite | 64 | 107-7307 | 1 | Guide-Idler, Belt |
| 32 | 119-8825 | 1 | Shaft-Spindle | 65 | 323-7 | 1 | Screw-HH |
| 33 | 80-4430-03 | 1 | Blade-Recycler, 31.35 Inch | 66 | 322-3 | 1 | Screw-HH |
| 34 | 3290-465 | 1 | Washer-Belleville | 67 | 3296-59 | 1 | Nut-Lock, NI |
| 35 | 26-0671 | 1 | Screw-HH | 87 | 80-4570-03 | 1 | Stiffener |

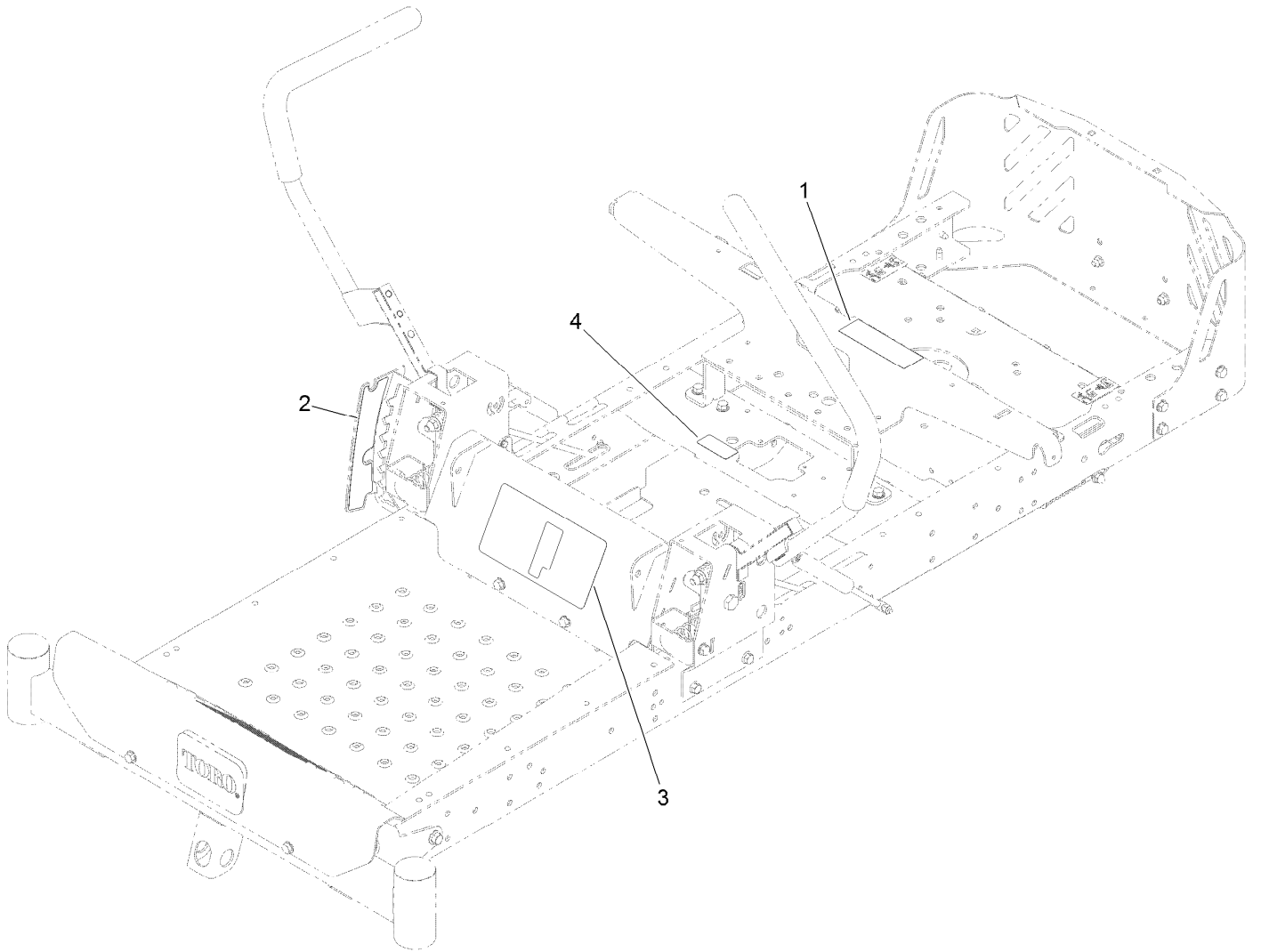
Model Specific Decal and Floor Mat Assembly



Model Specific Decal and Floor Mat Assembly (continued)

| <i>Ref.</i> | <i>Part Number</i> | <i>Qty.</i> | <i>Description</i> | <i>Ref.</i> | <i>Part Number</i> | <i>Qty.</i> | <i>Description</i> |
|-------------|--------------------|-------------|--------------------|-------------|--------------------|-------------|-------------------------------|
| 1 | 131-3649 | 1 | Decal-Timecutter | 5 | 130-0682 | 1 | Decal-Displacement, Engine |
| 3 | 132-6895 | 1 | Mat-Floor | 7 | 125-1700 | 1 | Decal-Engine |
| 4 | 117-2382 | 4 | Plug-Plastic | | | | |

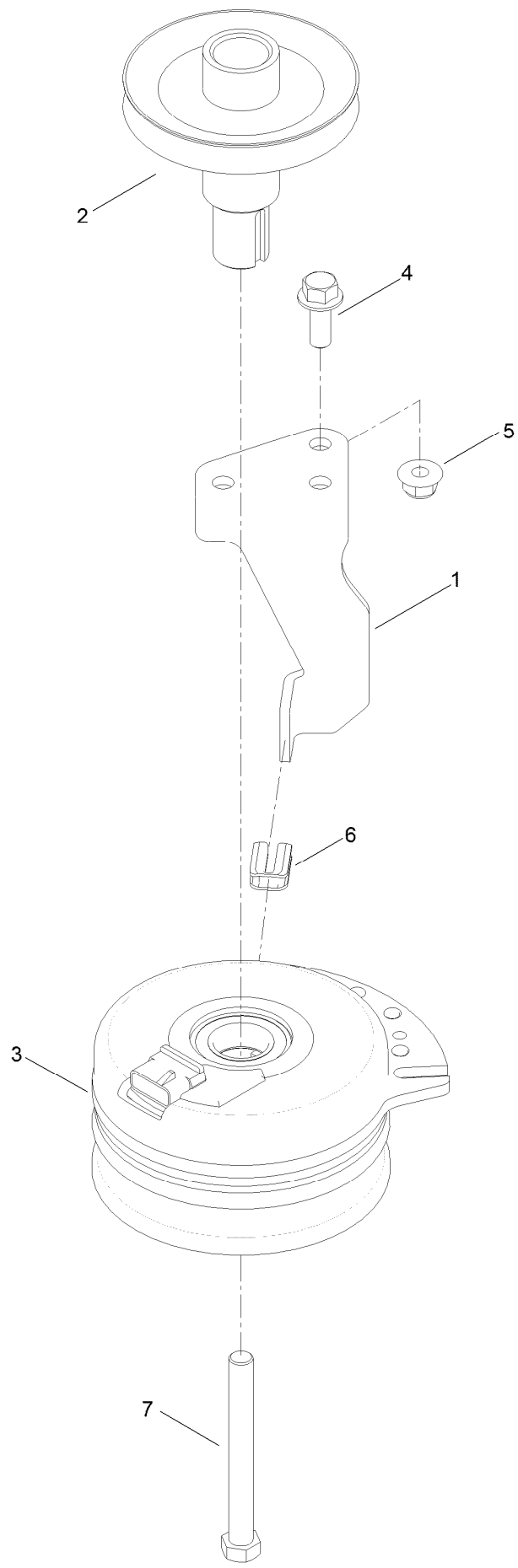
Speed Control Decal, HOC Decal and Service Decal Assembly



Speed Control Decal, HOC Decal and Service Decal Assembly (continued)

| <i>Ref.</i> | <i>Part Number</i> | <i>Qty.</i> | <i>Description</i> | <i>Ref.</i> | <i>Part Number</i> | <i>Qty.</i> | <i>Description</i> |
|-------------|--------------------|-------------|--------------------|-------------|--------------------|-------------|-----------------------------------|
| 1 | 106-8717 | 1 | Decal-Service, CE | 3 | 131-3947 | 1 | Decal-Control, Speed |
| 2 | 119-8871 | 1 | Decal-HOC | 4 | 121-5684 | 1 | Decal-Location, Service Dealer |

Clutch Assembly



Clutch Assembly (continued)

| <i>Ref.</i> | <i>Part Number</i> | <i>Qty.</i> | <i>Description</i> | <i>Ref.</i> | <i>Part Number</i> | <i>Qty.</i> | <i>Description</i> |
|-------------|--------------------|-------------|----------------------|-------------|--------------------|-------------|--------------------|
| 1 | 119-8884 | 1 | Stop-Clutch (Narrow) | 5 | 104-8301 | 1 | Nut-HF, NI |
| 2 | 130-6854 | 1 | Pulley-Engine | 6 | 120-2217 | 1 | Isolator-Clutch |
| 3 | 125-0038 | 1 | Clutch-Electric | 7 | 3212-16 | 1 | Screw-HH |
| 4 | 3234-42 | 1 | Screw-HHF | | | | |

Attachments and Accessories

For 74710 TimeCutter SS 3225 Riding Mower

| Product Name | Model/Part |
|---|-------------------|
| Armrest Kit | 105-6978 |
| Hourmeter Kit | 116-5461 |
| All Season Synthetic Oil (10W30, QT) | 117-0066 |
| Seat Cover W/O Arm Rest - TC 18in..... | 117-0096 |
| Jack Mount Kit | 126-5251 |
| Jack Kit..... | 127-6666 |
| Fuel Stabilizer .05 oz | 130-2393 |
| 4-Cycle Fuel, Snow And Lawn 32oz Can | 131-3823 |
| Attachment Mount Kit | 131-3966 |
| Toro Premium Fuel Treatment 12 Oz Bottle | 131-6572 |
| Weight Kit | 131-7658 |
| Deluxe Seat Kit | 131-7699 |
| Maintenance Kit Toro Single Cycle Engine | 136-7930 |
| Pro-Control Damper Kit | 138-7588 |
| 10w30 4-cycle Engine Oil (32oz Bottle) | 38280 |
| Toro 4-cycle SAE 30 Oil (32oz Bottle) | 38903 |
| Storage Cover | 490-7516 |
| Foot Assist Deck Lift Kit, 2011 and After Zero-Turn-Radius Riding Mower | 79010 |
| Sunshade Kit | 79011 |
| 32in Recycler Kit, 2011 and After TimeCutter Z Riding Mower | 79017 |
| Assist Handle and Step Kit | 79339 |
| 32in Bagger | 79390 |

Notes:



Count on it.