



Count on it.

Parts Catalog

TimeCutter® MX 5000

Riding Mower

Model No. 74775—Serial No. 401300000 and Up



Ordering Replacement Parts

To order replacement parts, please supply the part number, the quantity, and the description of each part desired.

Understanding Reference Numbers

Each identified part in an illustration has a reference number. The reference number for a part also appears in the parts list, along with other information about the part.

This catalog uses two special reference number formats, one to indicate parts in a service assembly and another to indicate the quantity of a given part in an illustration.

Service Assembly Reference Numbers

Parts in service assemblies have reference numbers in the form a:b. The a represents the reference number of the entire service assembly and the b represents a sequential number unique to each part within the service assembly.

For example, a wheel assembly might be identified by reference number 6, the tire by 6:1, the valve by 6:2, and the wheel by 6:3. When you order the assembly identified by reference number 6, you receive all parts identified by reference numbers 6:1, 6:2, and 6:3. However, you may also order any part individually. Reference numbers of this type appear in illustration and in parts lists.

Reference Numbers Indicating Quantity

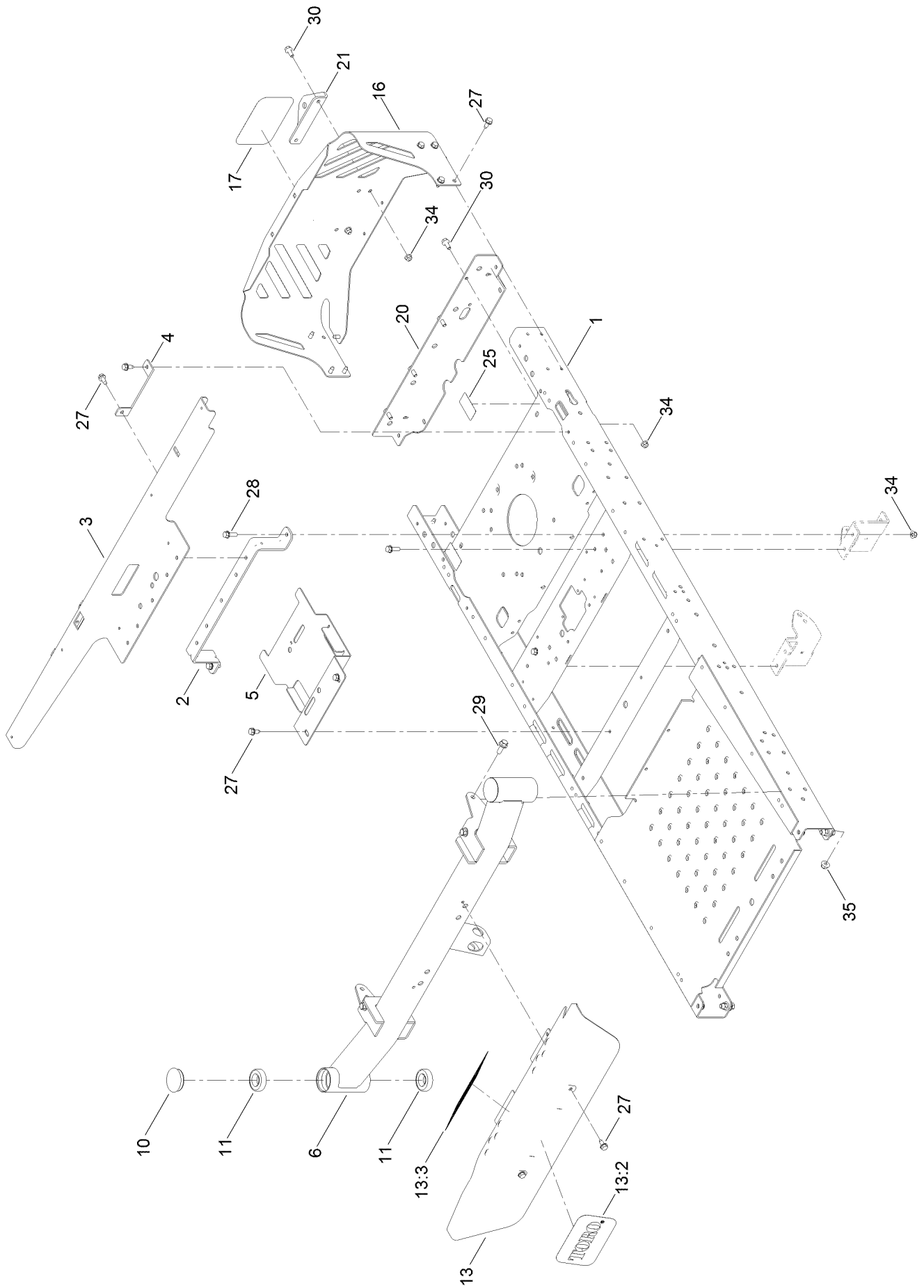
In an illustration, if a reference number indicates more than one part, the reference number has the form nX y. The n represents the quantity of the part, the X is the multiplication symbol, and the y represents the reference number.

For example, in an illustration, the reference number 2X 37 means that two of the parts identified by reference number 37 are indicated.

Contents

Frame Assembly	4
Deck Lift Assembly	6
Caster, Wheel and Tire Assembly	8
Traction Drive Assembly	10
Left Hand Hydro Transaxle Assembly No. 119-3350	12
Right Hand Hydro Transaxle Assembly No. 119-3351	14
Brake Assembly	16
Rear Tire Assembly	18
Seat Pan Assembly	20
Motion Control Assembly	22
Engine Assembly	24
Fuel System Assembly	26
Carburetor Assembly	28
Air Intake and Filtration Assembly	30
Ignition and Electrical Assembly	32
Crankcase and Crankshaft Assembly	34
Governor Control Assembly	36
Piston and Cylinder Head Assembly	38
Blower Housing Assembly	40
Gasket and Seal Kit	42
Body Styling and Fuel Tank Assembly	44
Battery and Electrical Assembly	46
50 Inch Deck Assembly	48
50 Inch Deck and Decal Assembly No. 131-3614	50
Model Specific Decal Assembly	52
Frame Decal Assembly	54
Clutch Assembly	56
Attachments and Accessories	58

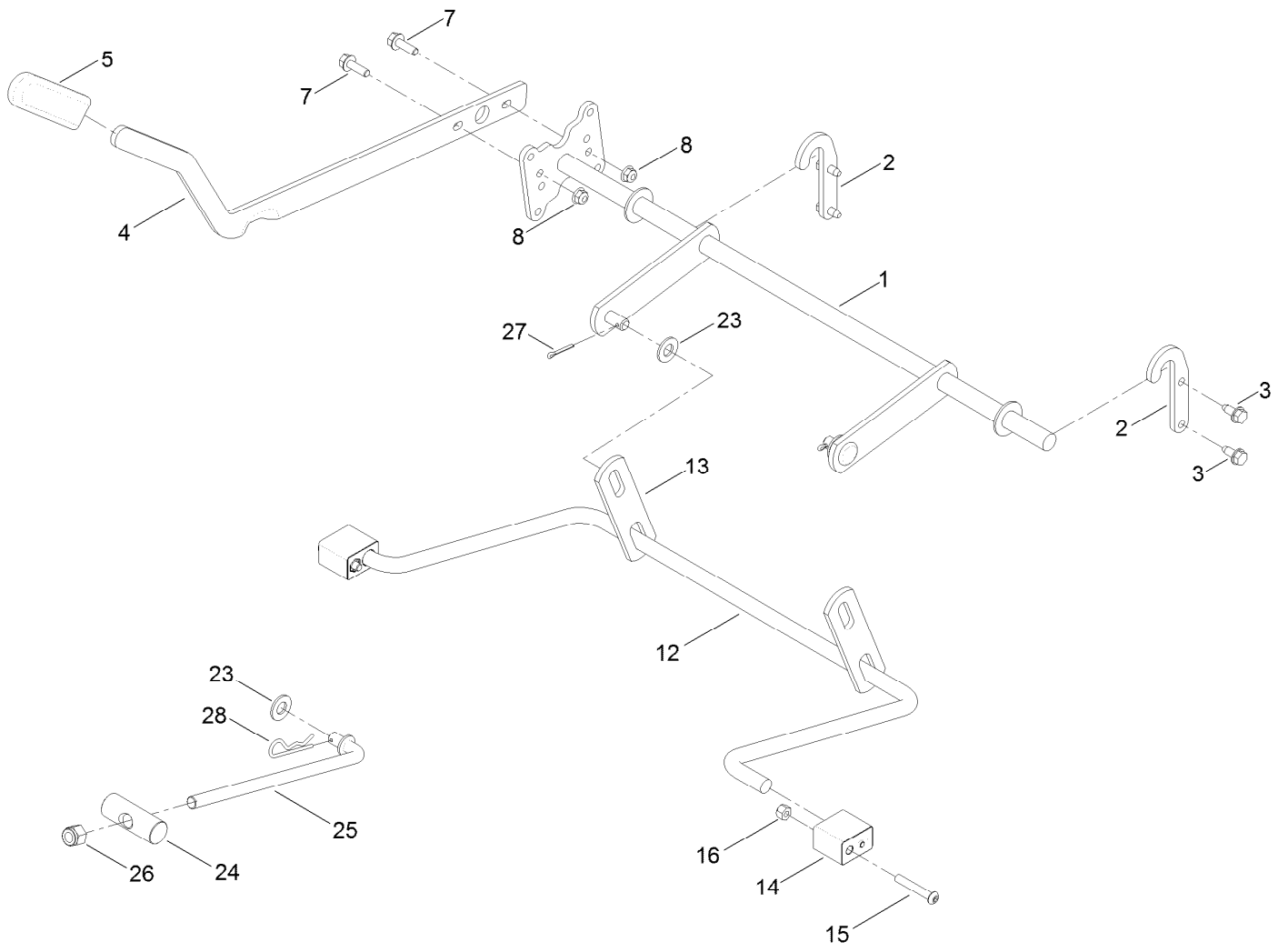
Frame Assembly



Frame Assembly (continued)

<i>Ref.</i>	<i>Part Number</i>	<i>Qty.</i>	<i>Description</i>	<i>Ref.</i>	<i>Part Number</i>	<i>Qty.</i>	<i>Description</i>
1	135-0508-01	1	Riveted Frame ASM (Wide Lever)	16	130-0701-03	1	Guard-Engine, Wide
2	135-0687-03	1	Brace-Seat, Rear (Wide)	17	99-4693	1	Decal
3	131-1039-03	1	Support-Pod, Wide	20	130-6946-01	1	Crossmember-Rear, Wide
4	119-3431-03	2	Support-Tank, Rear	21	117-1232-03	1	Bracket-Hitch
5	135-0507-03	1	Bracket-Battery	25	121-2989	2	Decal-Bypass
6	137-7029-01	1	Axle-Wide	27	32144-70	18	Screw-HWHTF
10	116-4348	2	Cap-Grease	28	3234-29	4	Screw-HHF
11	109-3678	4	Bearing-Ball	29	3234-42	6	Screw-HHF
13	132-0892	1	Footrest ASM	30	3234-47	8	Screw-HHF
13:2	99-4693	1	Decal	34	104-8300	12	Nut-HF, NI
13:3	132-0869	1	Decal-Danger	35	104-8301	6	Nut-HF, NI

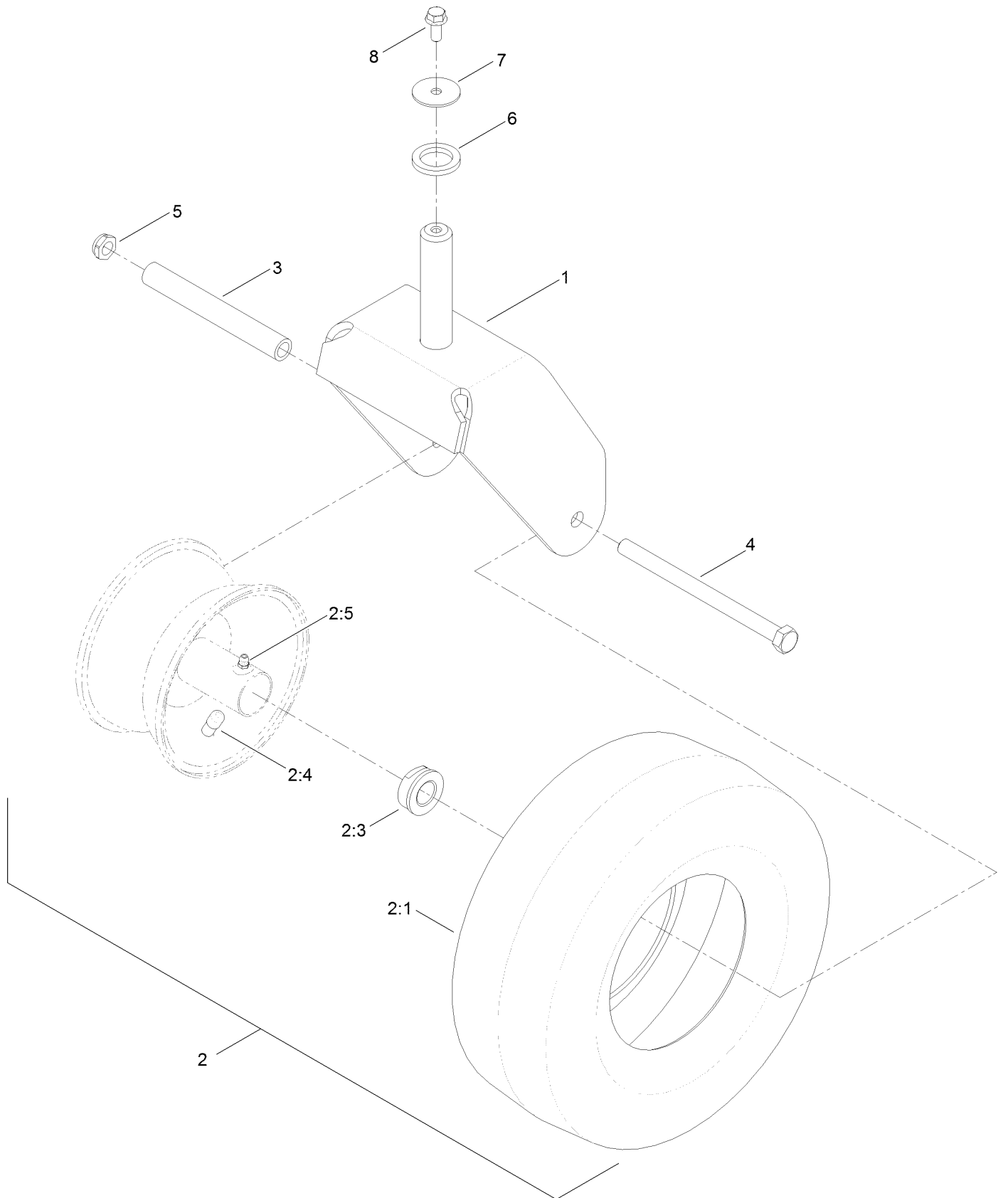
Deck Lift Assembly



Deck Lift Assembly (continued)

<i>Ref.</i>	<i>Part Number</i>	<i>Qty.</i>	<i>Description</i>	<i>Ref.</i>	<i>Part Number</i>	<i>Qty.</i>	<i>Description</i>
1	132-6878-03	1	Lift-Deck, Wide	14	108-7845	2	Block-Pivot
2	119-8875	2	Bracket-Lift	15	120-5499	2	Screw-HSBH
3	32144-70	4	Screw-HWHTF	16	3296-29	2	Nut-Lock, NI
4	119-3427-03	1	Lever-Lift	23	3256-26	3	Washer-Flat
5	1-633268	1	Grip-Lever	24	119-8810	1	Pin-Pivot
7	3234-29	2	Screw-HHF	25	133-4319	1	Rod-Mount, Deck
8	104-8300	2	Nut-HF, NI	26	3296-19	1	Nut-Hex
12	119-3347	1	Arm-Lift, Rear (Wide)	27	3272-11	2	Pin-Cotter
13	108-7840	2	Link-Lift	28	1-806005	1	Pin-Cotter

Caster, Wheel and Tire Assembly

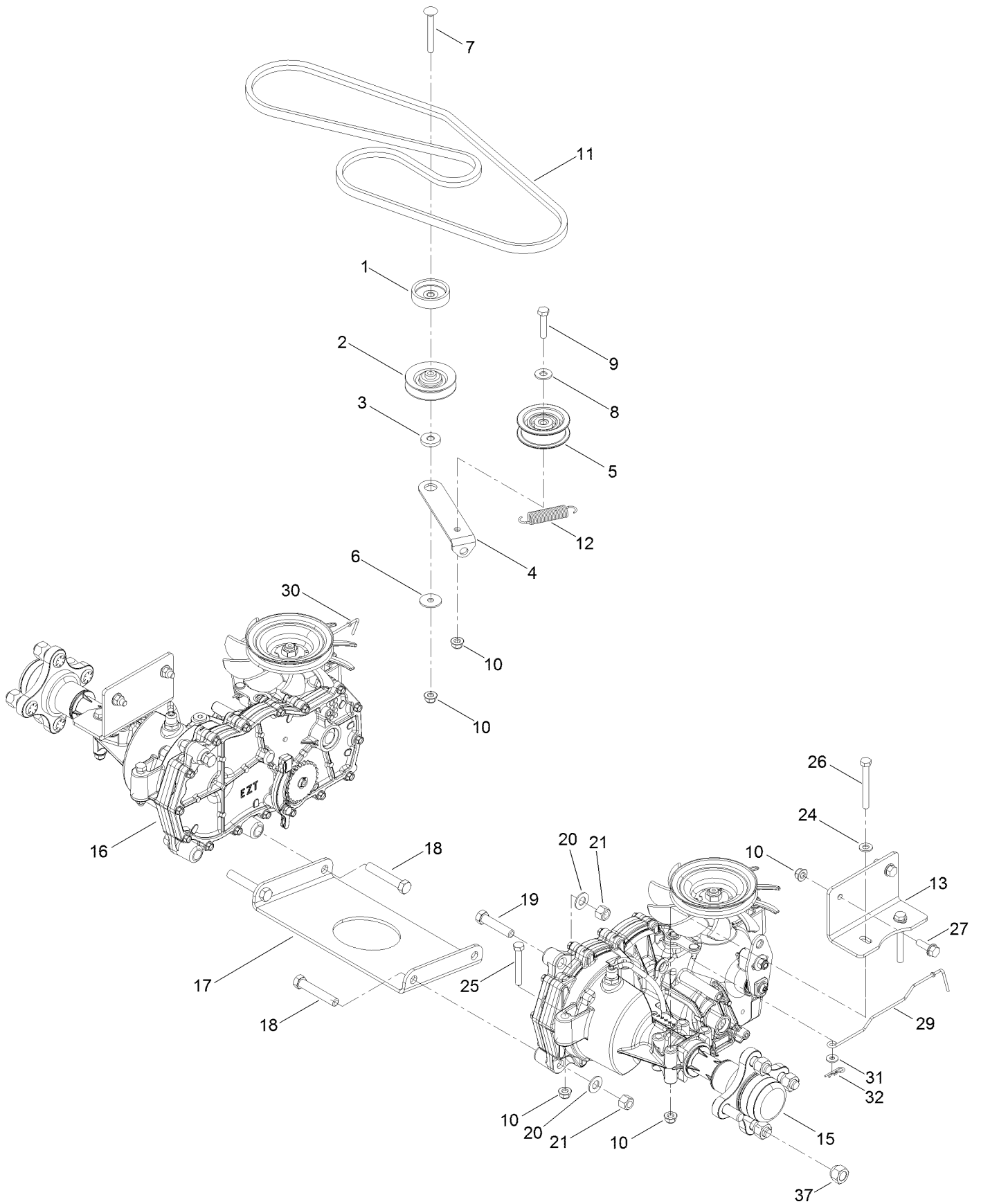


Caster, Wheel and Tire Assembly (continued)

<i>Ref.</i>	<i>Part Number</i>	<i>Qty.</i>	<i>Description</i>	<i>Ref.</i>	<i>Part Number</i>	<i>Qty.</i>	<i>Description</i>
1	119-3349-01	2	Fork-Caster	2:99	232-46	1	Tube-Inner ●
2	119-3473	2	13 Inch Wheel And Tire ASM	3	119-3475	2	Spanner
2:1	119-3471	1	Tire-13 Inch	4	325-37	2	Screw-HH
2:3	114-1640	2	Bushing-Flange	5	3296-45	2	Nut-Hex
2:4	232-27	1	Stem-Valve	6	117-7394	2	Washer-Thrust
2:5	302-5	1	Fitting-Grease	7	3256-68	2	Washer-Flat
				8	3234-47	2	Screw-HHF

● Not illustrated

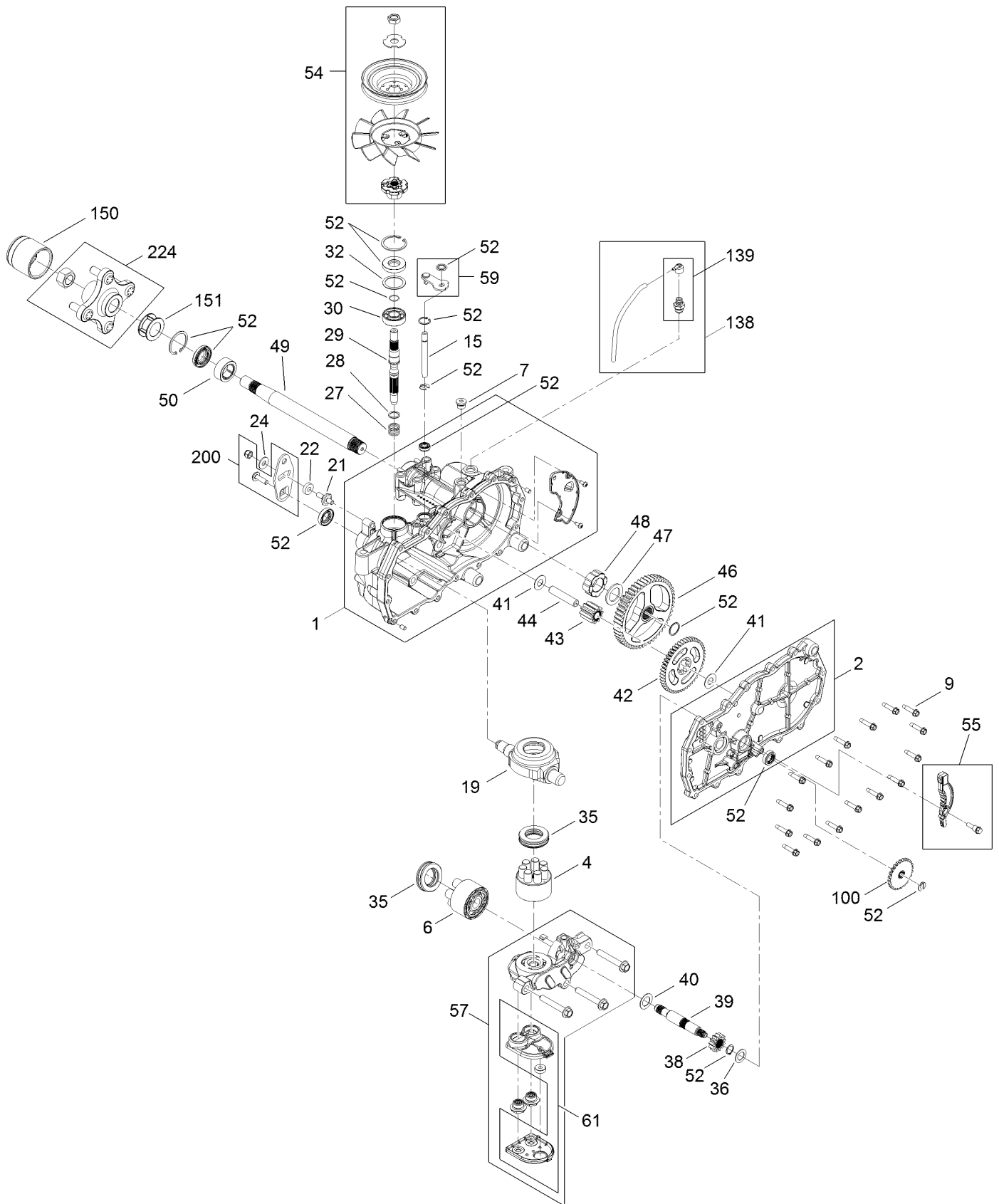
Traction Drive Assembly



Traction Drive Assembly (continued)

<i>Ref.</i>	<i>Part Number</i>	<i>Qty.</i>	<i>Description</i>	<i>Ref.</i>	<i>Part Number</i>	<i>Qty.</i>	<i>Description</i>
1	119-3353	1	Spacer	17	119-3342-03	1	Plate-Cross, Hydro
2	119-8822	1	Pulley-Idler	18	324-10	4	Screw-HH
3	119-3327	1	Spacer-Arm, Idler	19	324-8	2	Screw-HH
4	119-3326	1	Arm-Idler	20	3256-25	6	Washer-Flat
5	106-2176	1	Pulley-Idler	21	3296-48	6	Nut-Lock, NI
6	5-4460	1	Washer-Pivot	24	3256-23	6	Washer-Plain
7	3230-8	1	Screw-CARR	25	322-11	4	Screw-HH
8	3256-3	1	Washer-Flat	26	322-13	4	Screw-HH
9	322-7	1	Screw-HH	27	3234-29	4	Screw-HHF
10	104-8300	14	Nut-HF, NI	29	131-0900	1	Rod-Bypass, LH
11	130-6976	1	V-Belt	30	130-7049	1	Rod-Bypass, RH
12	104-6415	1	Spring-Return, Pedal	31	119-8952	2	Washer
13	117-7264-03	2	Mount-Hydro	32	3290-307	2	Pin-Cotter
15	119-3350	1	LH Hydro Transaxle ASM	37	242-50	8	Nut-Lug
16	119-3351	1	RH Hydro Transaxle ASM				

Left Hand Hydro Transaxle Assembly No. 119-3350

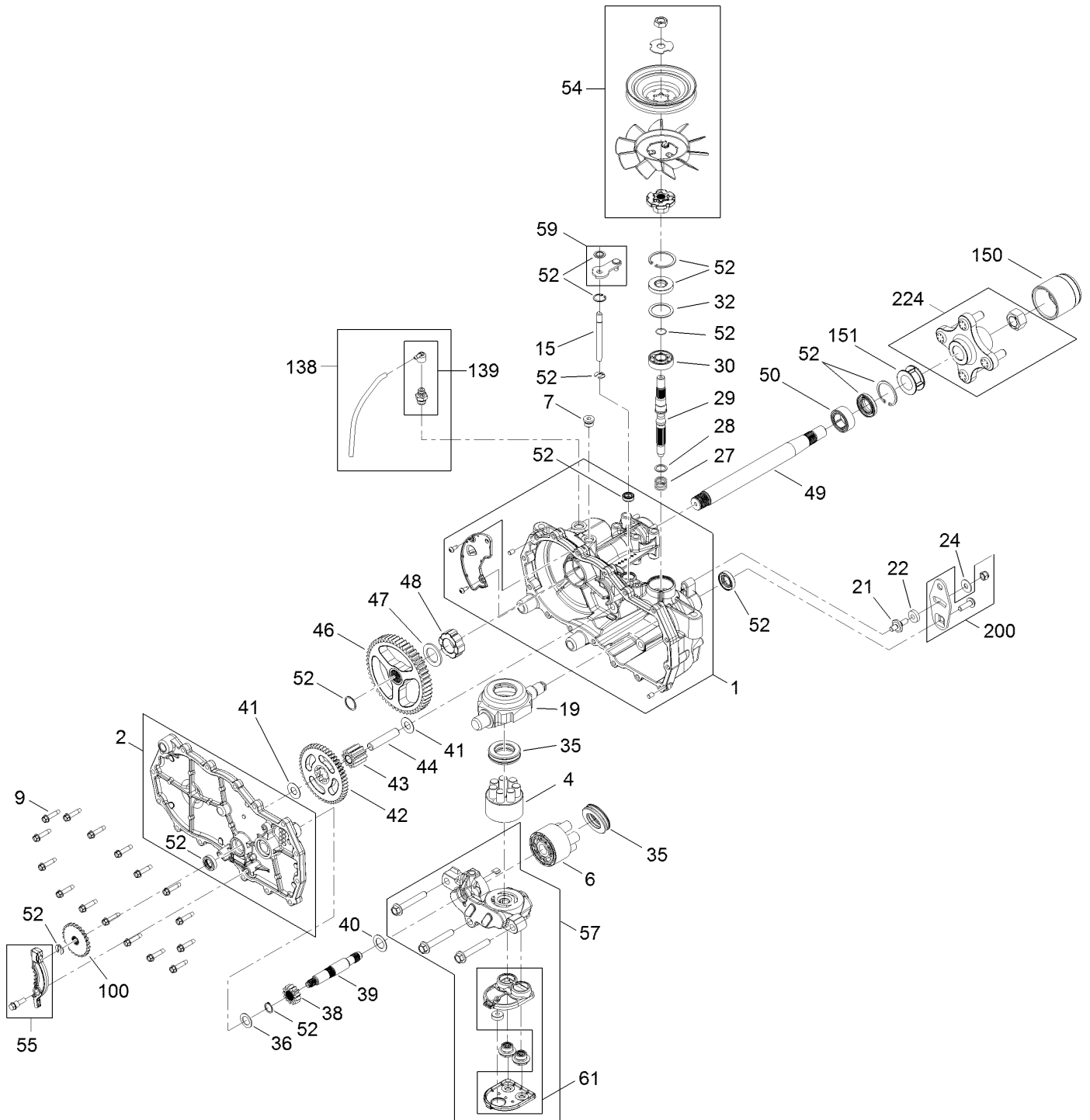


Left Hand Hydro Transaxle Assembly No. 119-3350 (continued)

<i>Ref.</i>	<i>Part Number</i>	<i>Qty.</i>	<i>Description</i>	<i>Ref.</i>	<i>Part Number</i>	<i>Qty.</i>	<i>Description</i>
1	106-8695	1	Main Housing ASM	42	104-5317	1	Gear-10T/48T
2	106-8696	1	Side ASM	43	104-5318	1	Gear-Jackshaft, 10T
4	110-8561	1	Pump Block ASM	44	104-5329	1	Pin-Jackshaft
6	103-2666	1	Cylinder Block Kit	46	112-9855	1	Gear-52T, Bull
7	104-2189	1	Plug-Thread, Straight	47	112-9856	1	Washer
9	104-5305	16	Screw-HHF	48	112-9857	1	Bearing-Sleeve
15	106-8678	1	Rod-Bypass	49	120-7104	1	Shaft-Axle
19	104-5304	1	Swashplate-Trunnion	50	112-9859	1	Bushing-Axle
21	104-2116	1	Stud	52	106-8686	1	Seal Kit ●
22	112-9853	1	Puck-Friction	54	121-5746	1	Fan Pulley Kit
24	114-8491	1	Washer	55	106-8688	1	Brake Arm Kit
27	120-5537	1	Spring-Compression	57	112-9861	1	Center Section Filter Kit
28	120-5538	1	Washer	58	104-2147	1	Sealant ●
29	104-5306	1	Shaft-Input	59	120-5549	1	Bypass Kit
30	104-5311	1	Bearing-Ball	61	114-1634	1	Filter Kit
32	104-5308	1	Spacer	100	106-8694	1	Disc-Brake, Cog
35	94-6922	2	Bearing-Thrust	138	112-9866	1	Breather Kit
36	104-5339	1	Washer-Flat	139	114-1635	1	Breather ASM
38	104-5316	1	Gear-Pinion, 13T	150	115-5057	1	Cover-Nut, Axle
39	106-8683	1	Shaft-Motor	151	120-7109	1	Tube-Axle
40	104-5360	1	Washer	200	117-5362	1	Control Arm Kit
41	119-5541	2	Washer	224	109-5939	1	Hub Kit

● Not illustrated

Right Hand Hydro Transaxle Assembly No. 119-3351

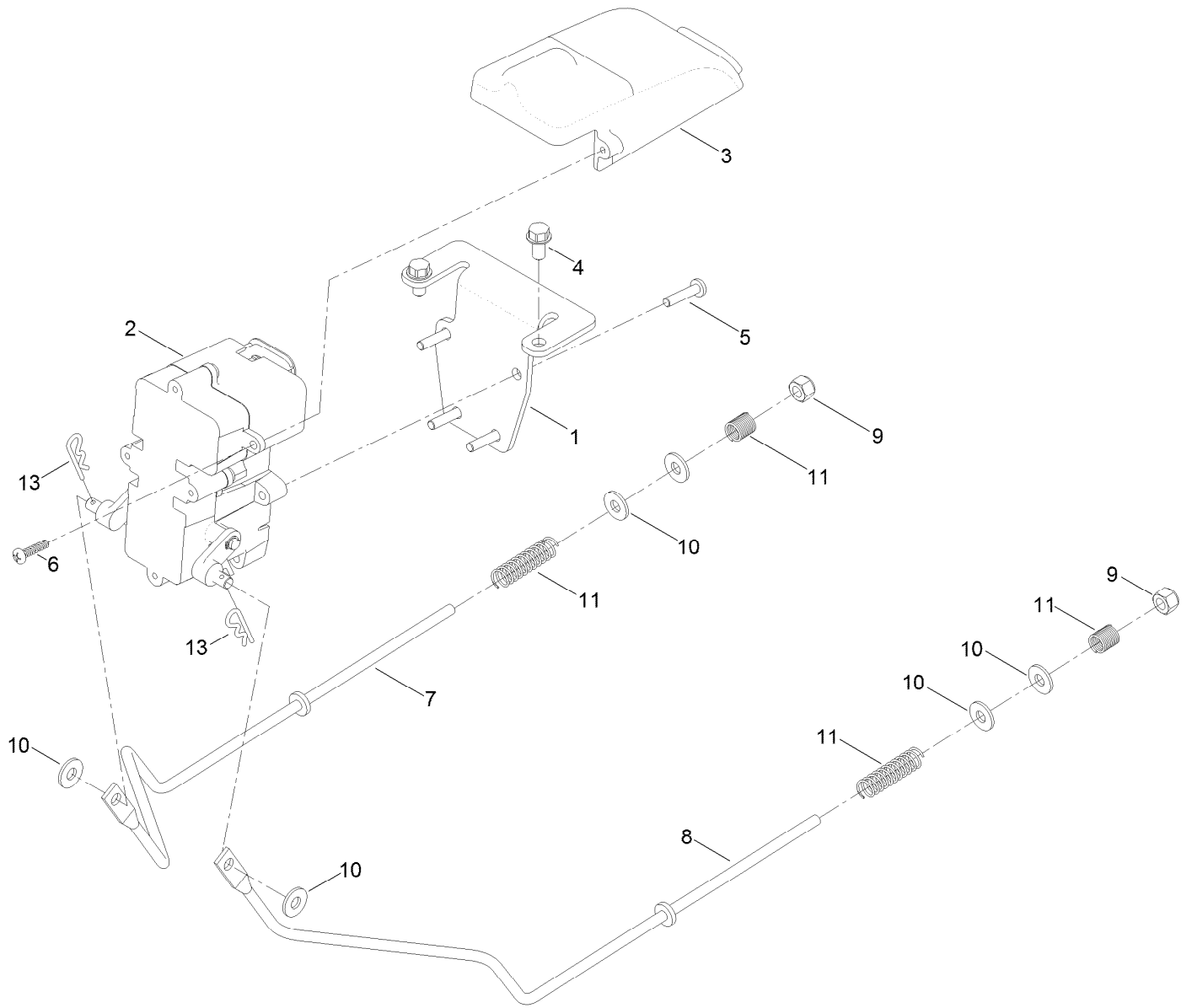


Right Hand Hydro Transaxle Assembly No. 119-3351 (continued)

<i>Ref.</i>	<i>Part Number</i>	<i>Qty.</i>	<i>Description</i>	<i>Ref.</i>	<i>Part Number</i>	<i>Qty.</i>	<i>Description</i>
1	106-8674	1	Main Housing ASM	42	104-5317	1	Gear-10T/48T
2	106-8675	1	Side ASM	43	104-5318	1	Gear-Jackshaft, 10T
4	110-8561	1	Pump Block ASM	44	104-5329	1	Pin-Jackshaft
6	103-2666	1	Cylinder Block Kit	46	112-9855	1	Gear-52T, Bull
7	104-2189	1	Plug-Thread, Straight	47	112-9856	1	Washer
9	104-5305	16	Screw-HHF	48	112-9857	1	Bearing-Sleeve
15	106-8678	1	Rod-Bypass	49	120-7104	1	Shaft-Axle
19	104-5304	1	Swashplate-Trunnion	50	112-9859	1	Bushing-Axle
21	104-2116	1	Stud	52	106-8686	1	Seal Kit ●
22	112-9853	1	Puck-Friction	54	121-5746	1	Fan Pulley Kit
24	114-8491	1	Washer	55	106-8688	1	Brake Arm Kit
27	120-5537	1	Spring-Compression	57	112-9862	1	Center Section Filter Kit
28	120-5538	1	Washer	58	104-2147	1	Sealant ●
29	104-5306	1	Shaft-Input	59	107-2489	1	Bypass Arm Kit
30	104-5311	1	Bearing-Ball	61	114-1634	1	Filter Kit
32	104-5308	1	Spacer	100	106-8694	1	Disc-Brake, Cog
35	94-6922	2	Bearing-Thrust	138	112-9866	1	Breather Kit
36	104-5339	1	Washer-Flat	139	114-1635	1	Breather ASM
38	104-5316	1	Gear-Pinion, 13T	150	115-5057	1	Cover-Nut, Axle
39	106-8683	1	Shaft-Motor	151	120-7109	1	Tube-Axle
40	104-5360	1	Washer	200	117-5362	1	Control Arm Kit
41	119-5541	2	Washer	224	109-5939	1	Hub Kit

● Not illustrated

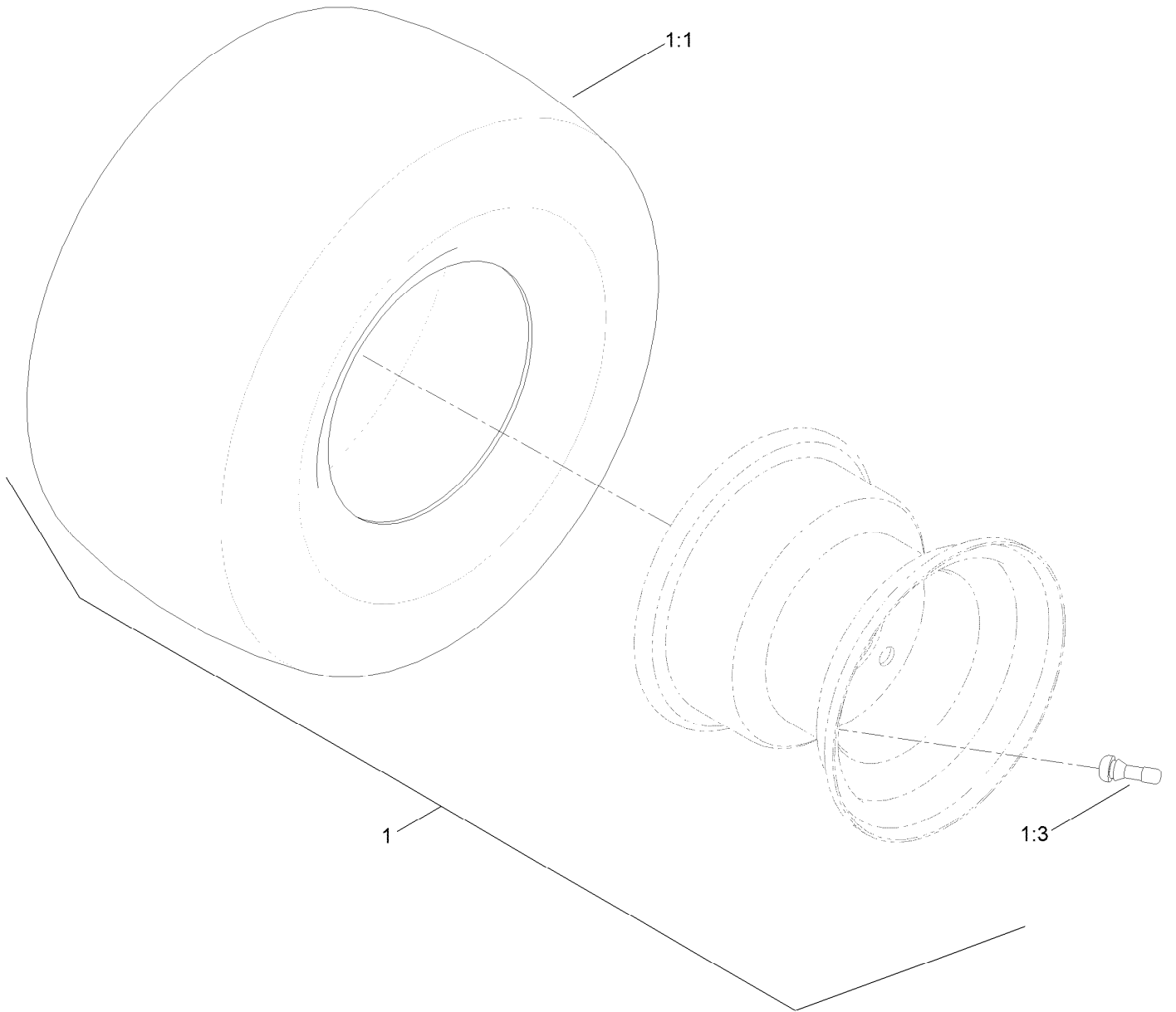
Brake Assembly



Brake Assembly (continued)

<i>Ref.</i>	<i>Part Number</i>	<i>Qty.</i>	<i>Description</i>	<i>Ref.</i>	<i>Part Number</i>	<i>Qty.</i>	<i>Description</i>
1	130-0790-03	1	Bracket-Mount, Brake	7	121-2976	1	Rod-Brake, Wide (RH)
2	136-4213	1	Brake Box ASM	8	121-2977	1	Rod-Brake, Wide (LH)
3	132-6949	1	Cover-Connector	9	3296-42	2	Nut-Lock, NI
4	32144-4	2	Screw-HWH	10	119-8952	6	Washer
5	32144-36	4	Screw-PPH	11	117-1169	4	Spring-Compression
6	94-4496	2	Screw-PPH	13	3290-307	2	Pin-Cotter

Rear Tire Assembly

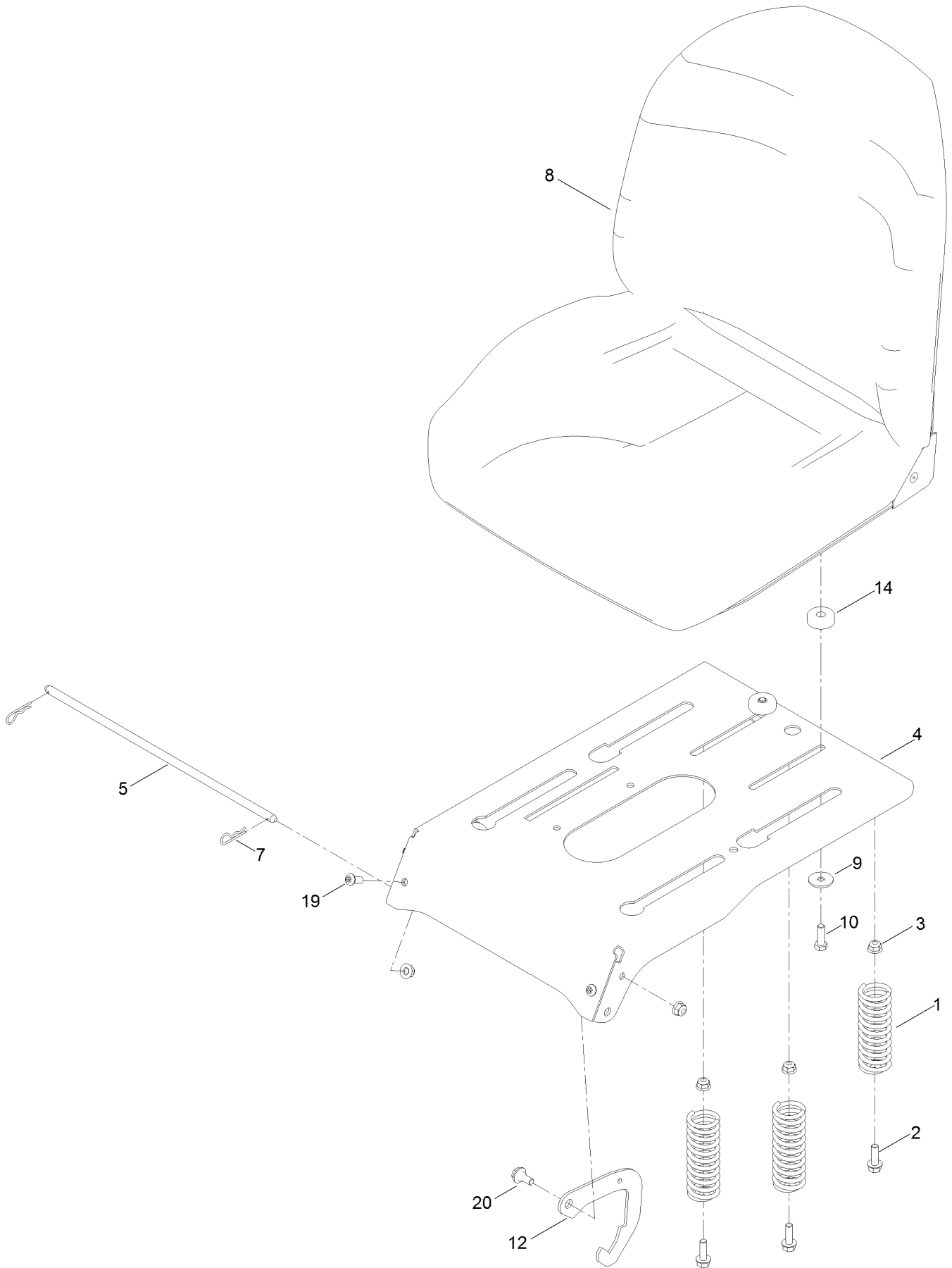


Rear Tire Assembly (continued)

<i>Ref.</i>	<i>Part Number</i>	<i>Qty.</i>	<i>Description</i>	<i>Ref.</i>	<i>Part Number</i>	<i>Qty.</i>	<i>Description</i>
1	131-3672	2	2 Ply Tire And Wheel ASM	1:3	232-27	1	Stem-Valve
1:1	131-3679	1	Tire-2Ply	1:99	232-37	1	Tube ●

● Not illustrated

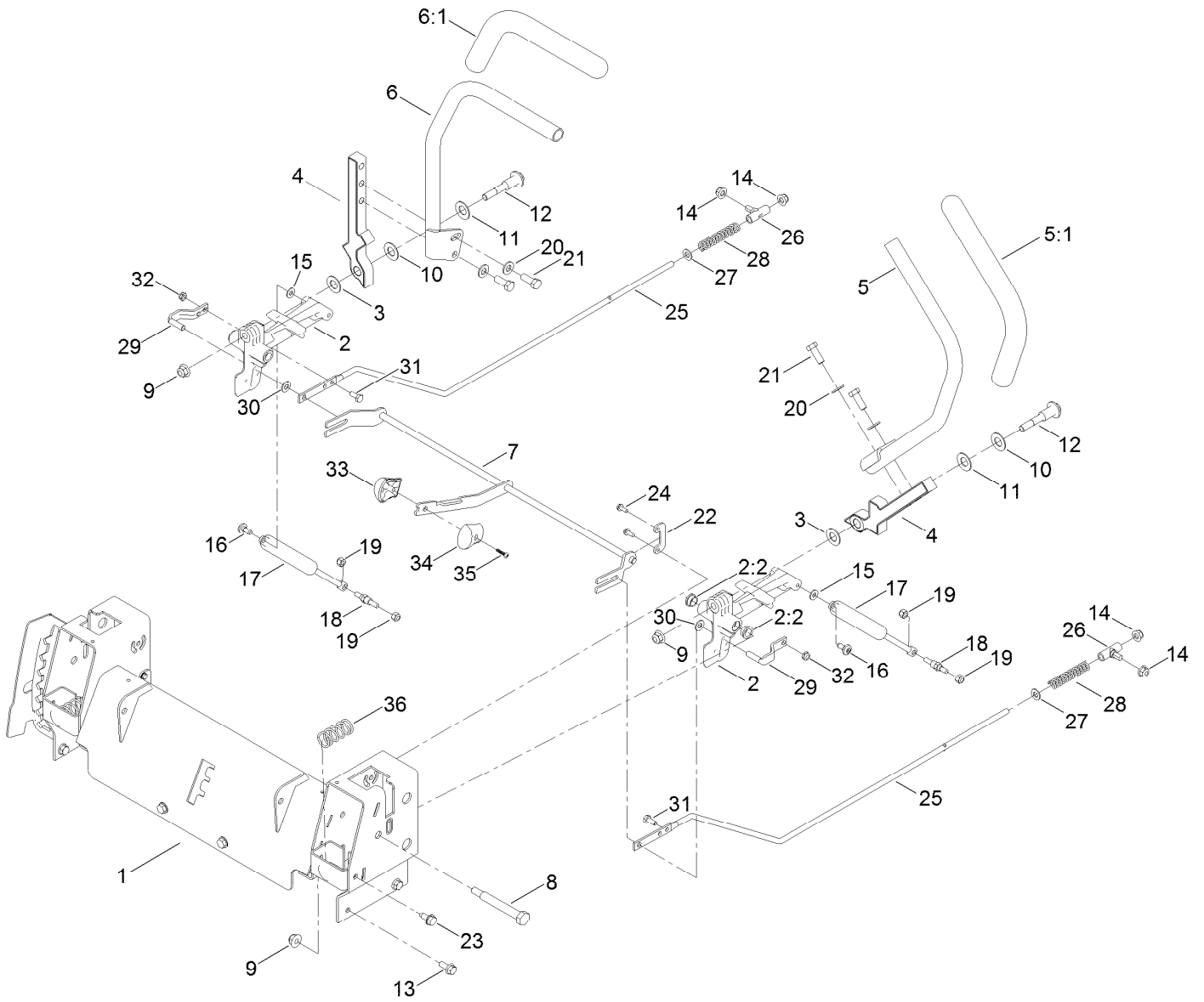
Seat Pan Assembly



Seat Pan Assembly (continued)

<i>Ref.</i>	<i>Part Number</i>	<i>Qty.</i>	<i>Description</i>	<i>Ref.</i>	<i>Part Number</i>	<i>Qty.</i>	<i>Description</i>
1	92-7054	3	Spring-Compression	9	5-4460	2	Washer-Pivot
2	3234-29	3	Screw-HHF	10	322-5	2	Screw-HH
3	104-8300	7	Nut-HF, NI	12	132-9353	2	Latch-Seat
4	136-5571-03	1	Pan-Seat, Deluxe	14	136-5572	2	Bushing-Slide, Seat
5	119-3433	1	Rod-Pivot, Narrow	19	3274-55	2	Screw-HSBH
7	3290-250	2	Pin-Cotter	20	19-1470	2	Screw-Shoulder
8	136-5575	1	Seat ASM				

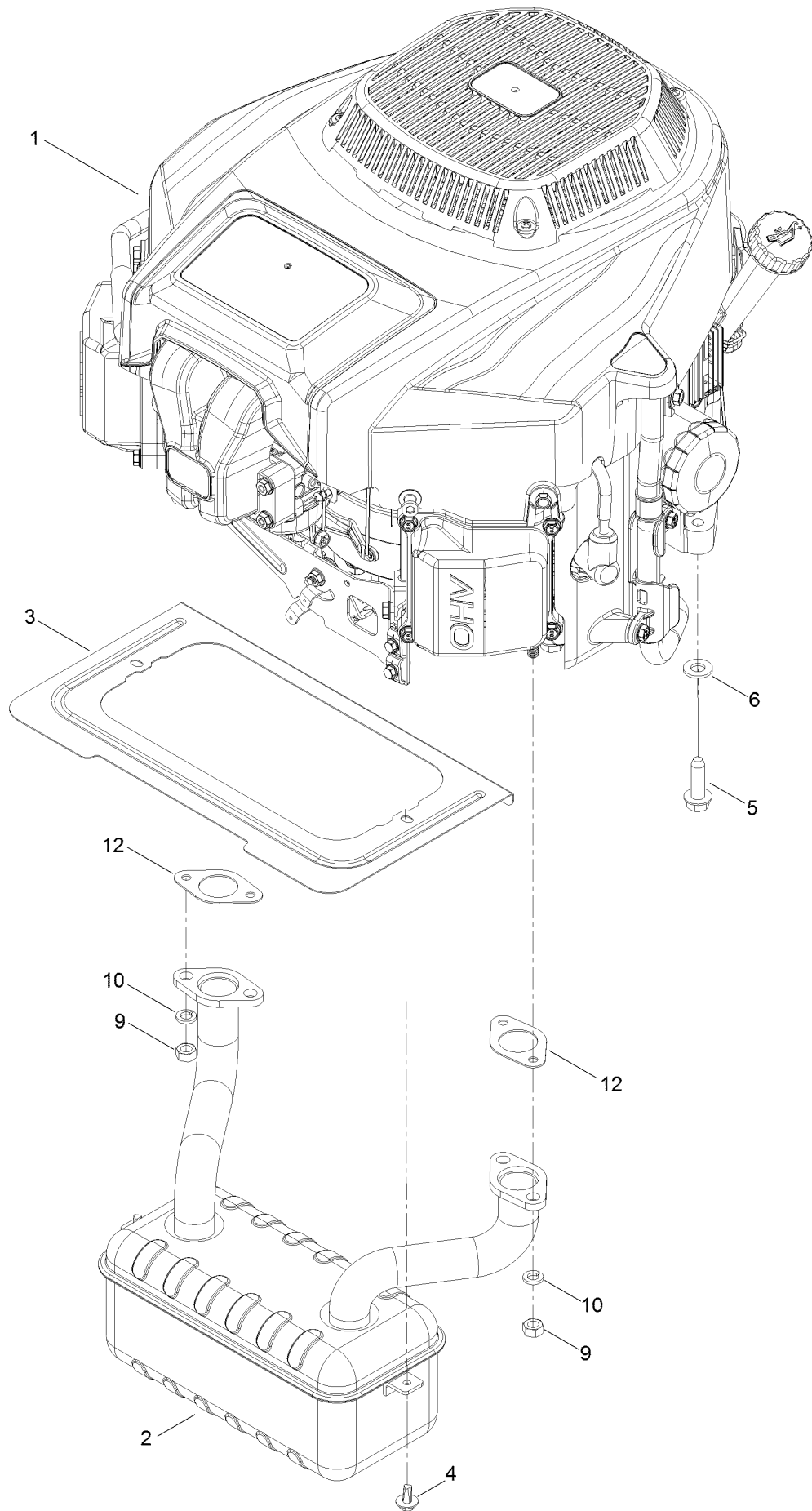
Motion Control Assembly



Motion Control Assembly (continued)

<i>Ref.</i>	<i>Part Number</i>	<i>Qty.</i>	<i>Description</i>	<i>Ref.</i>	<i>Part Number</i>	<i>Qty.</i>	<i>Description</i>
1	137-7038-03	1	Control Box ASM	18	110-6810	2	Stud-Damper
2	119-3470	2	Actuator Arm ASM	19	3296-42	4	Nut-Lock, NI
2:2	256-156	2	Bushing-Flange	20	3256-24	4	Washer-Flat
3	120-2273	2	Washer-Nylon	21	323-6	4	Screw-HH
4	133-9299-05	2	Arm-Control	22	117-5385	2	Retainer
5	133-7055	1	Handle-Control, LH	23	32144-70	4	Screw-HWHTF
5:1	121-0726	1	Grip	24	32144-1	4	Screw-Taptite
6	133-7057	1	Handle-Control, RH	25	117-5388	2	Rod-Hydro
6:1	121-0726	1	Grip	26	119-8842	2	Mount-Rod, Hydro
7	133-9301	1	Speed Control ASM	27	3256-23	2	Washer-Plain
8	115-5099	2	Bolt-Pivot	28	1-603807	2	Spring-Return, Neutral
9	104-8301	4	Nut-HF, NI	29	121-1753	2	Pin-Rod, Hydro
10	117-1240	2	Washer	30	93-6079	2	Spacer-Nylon
11	119-8925	2	Washer-Belleville	31	321-3	2	Screw-HH
12	117-1198	2	Bolt-Pivot	32	3296-56	2	Nut-Lock, NI
13	3234-47	6	Screw-HHF	33	132-9368	1	Knob-RH
14	104-8300	10	Nut-HF, NI	34	132-9369	1	Knob-LH
15	119-8952	2	Washer	35	94-4496	1	Screw-PPH
16	120-7950	2	Screw-Shoulder	36	119-8876	2	Spring-Return
17	131-4132	2	Damper				

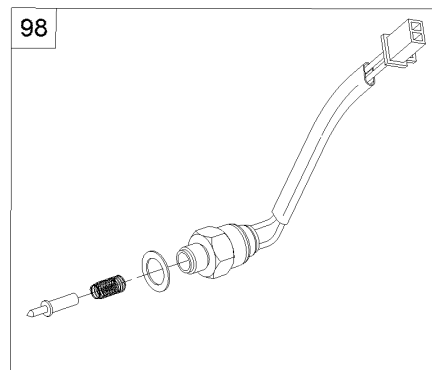
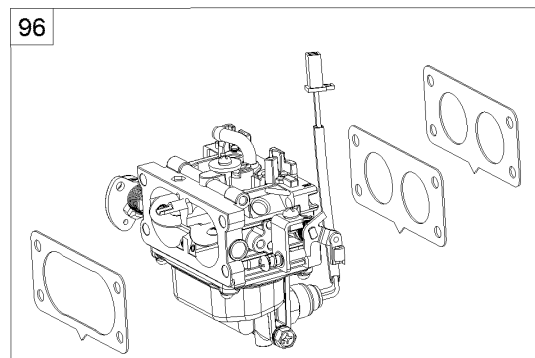
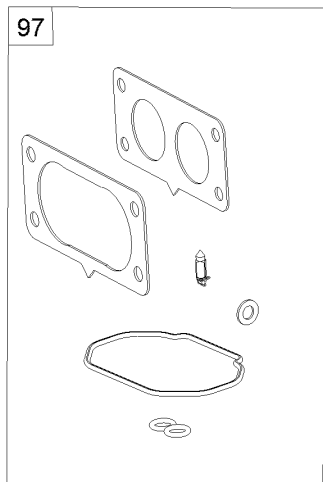
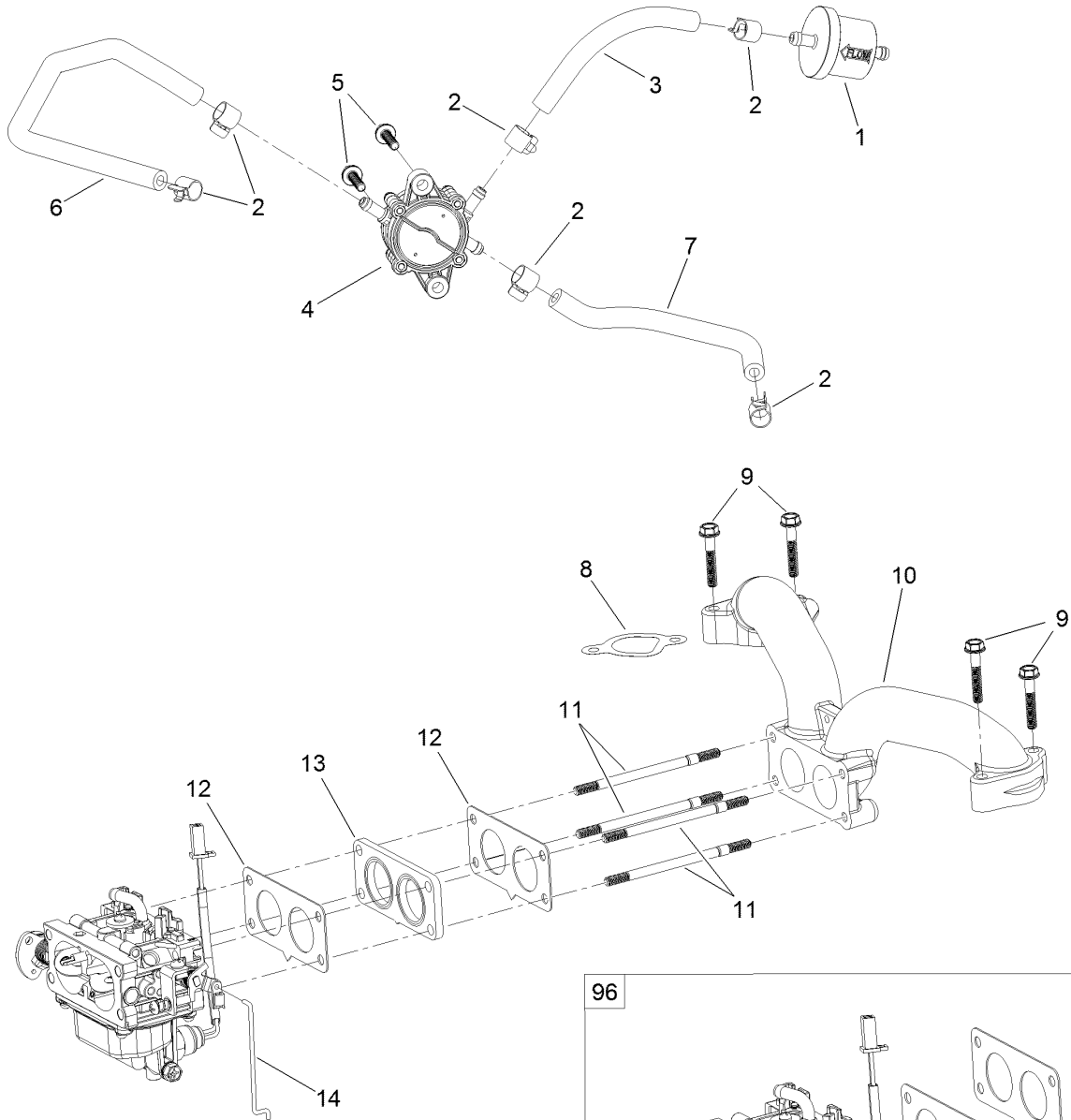
Engine Assembly



Engine Assembly (continued)

<i>Ref.</i>	<i>Part Number</i>	<i>Qty.</i>	<i>Description</i>	<i>Ref.</i>	<i>Part Number</i>	<i>Qty.</i>	<i>Description</i>
1	127-9041	1	Engine-2P77F	6	3256-24	3	Washer-Flat
2	130-6851	1	Muffler	9	121-0199	4	Nut-HH
3	131-1071-03	1	Shield-Heat	10	127-9279	4	Washer-Lock, Split
4	46-8560	2	Screw-HHFTF	12	120-4317	2	Gasket-Exhaust
5	32144-109	4	Screw-Thd Form HWH				

Fuel System Assembly

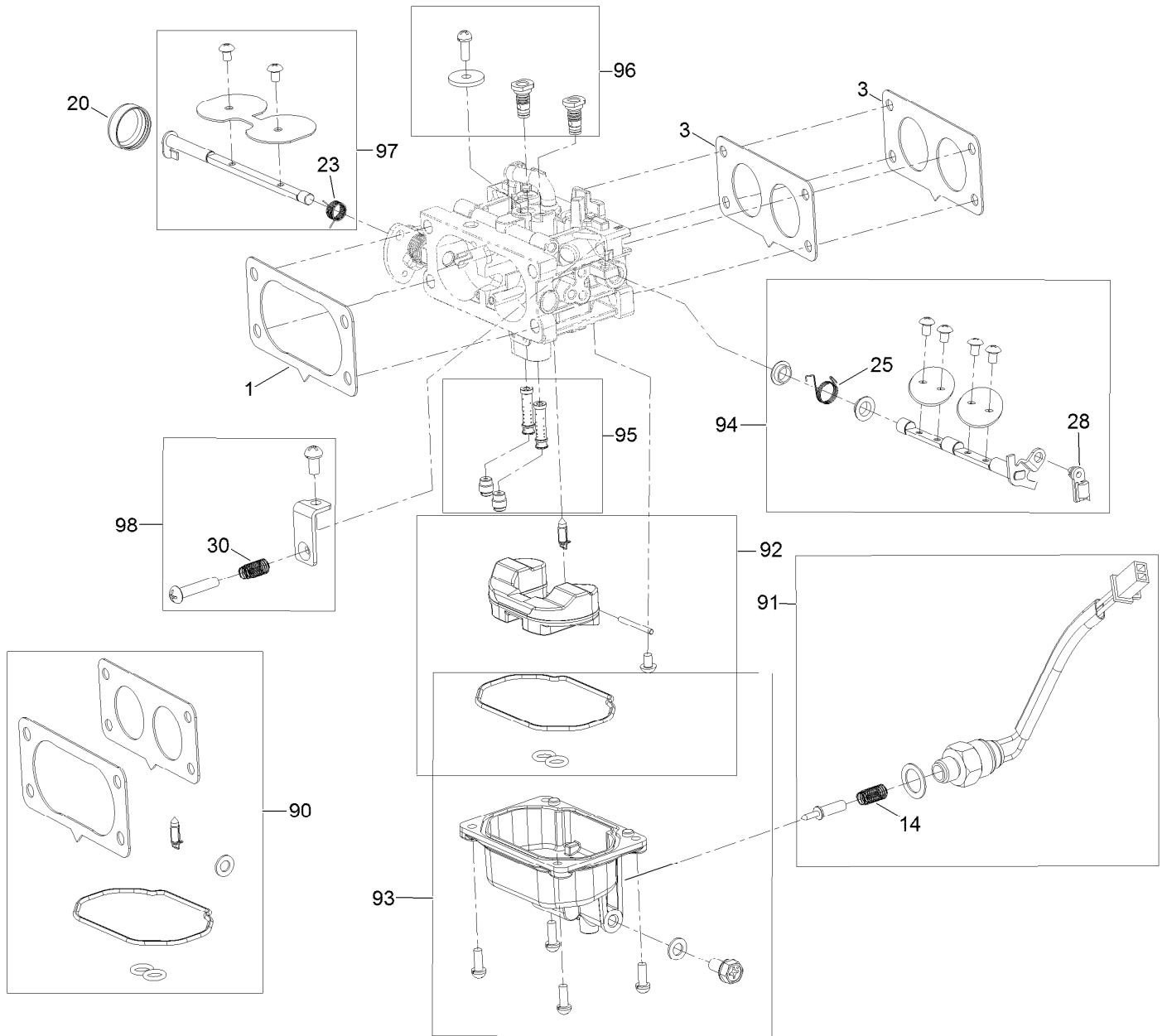


Fuel System Assembly (continued)

<i>Ref.</i>	<i>Part Number</i>	<i>Qty.</i>	<i>Description</i>	<i>Ref.</i>	<i>Part Number</i>	<i>Qty.</i>	<i>Description</i>
1	133-1563	1	Filter-Fuel	10	127-9244	1	Manifold-Intake
2	120-4251	6	Clamp-Fuel Line	11	127-9245	4	Stud
3	120-4371	1	Line-Fuel	12	127-9246	2	Gasket-Carburetor
4	127-9206	1	Pump-Fuel	13	127-9247	1	Insulator-Carburetor
5	120-4225	2	Screw-HHF	14	127-9248	1	Linkage-Throttle
6	127-9205	1	Hose-Fuel	96	127-9289	1	Carburetor Replacement Kit
7	127-9207	1	Hose-Fuel	97	127-9290	1	Carburetor Repair Kit
8	127-9230	2	Gasket-Intake	98	127-9292	1	Solenoid Kit
9	120-4284	4	Screw-HHF	99	127-9303	1	High Altitude Kit ●

● Not illustrated

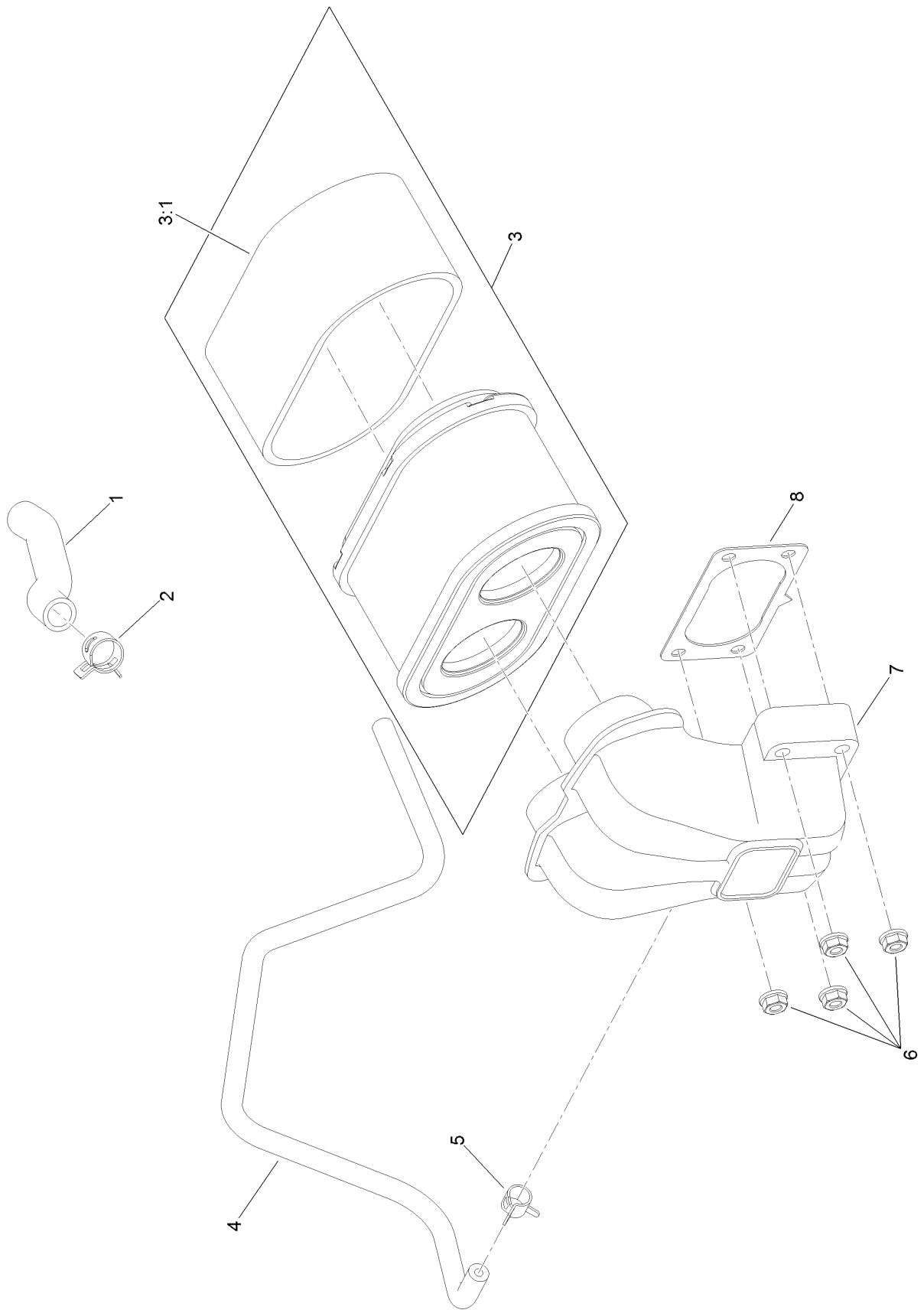
Carburetor Assembly



Carburetor Assembly (continued)

<i>Ref.</i>	<i>Part Number</i>	<i>Qty.</i>	<i>Description</i>	<i>Ref.</i>	<i>Part Number</i>	<i>Qty.</i>	<i>Description</i>
1	127-9251	1	Gasket-Carburetor	91	127-9292	1	Solenoid Kit
3	127-9246	2	Gasket-Carburetor	92	127-9340	1	Float Kit
14	127-9319	1	Spring	93	127-9341	1	Bowl Kit
20	127-9325	1	Cover-Shaft, Choke	94	127-9342	1	Throttle Shaft Kit
23	127-9328	1	Spring	95	127-9343	1	Nozzle And Jet Kit
25	127-9330	1	Spring	96	127-9344	1	Air Jet Kit
28	127-9333	1	Clamp-Lock	97	127-9345	1	Choke Shaft Kit
30	127-9335	1	Spring	98	127-9347	1	Idlestop Kit
90	127-9290	1	Carburetor Repair Kit				

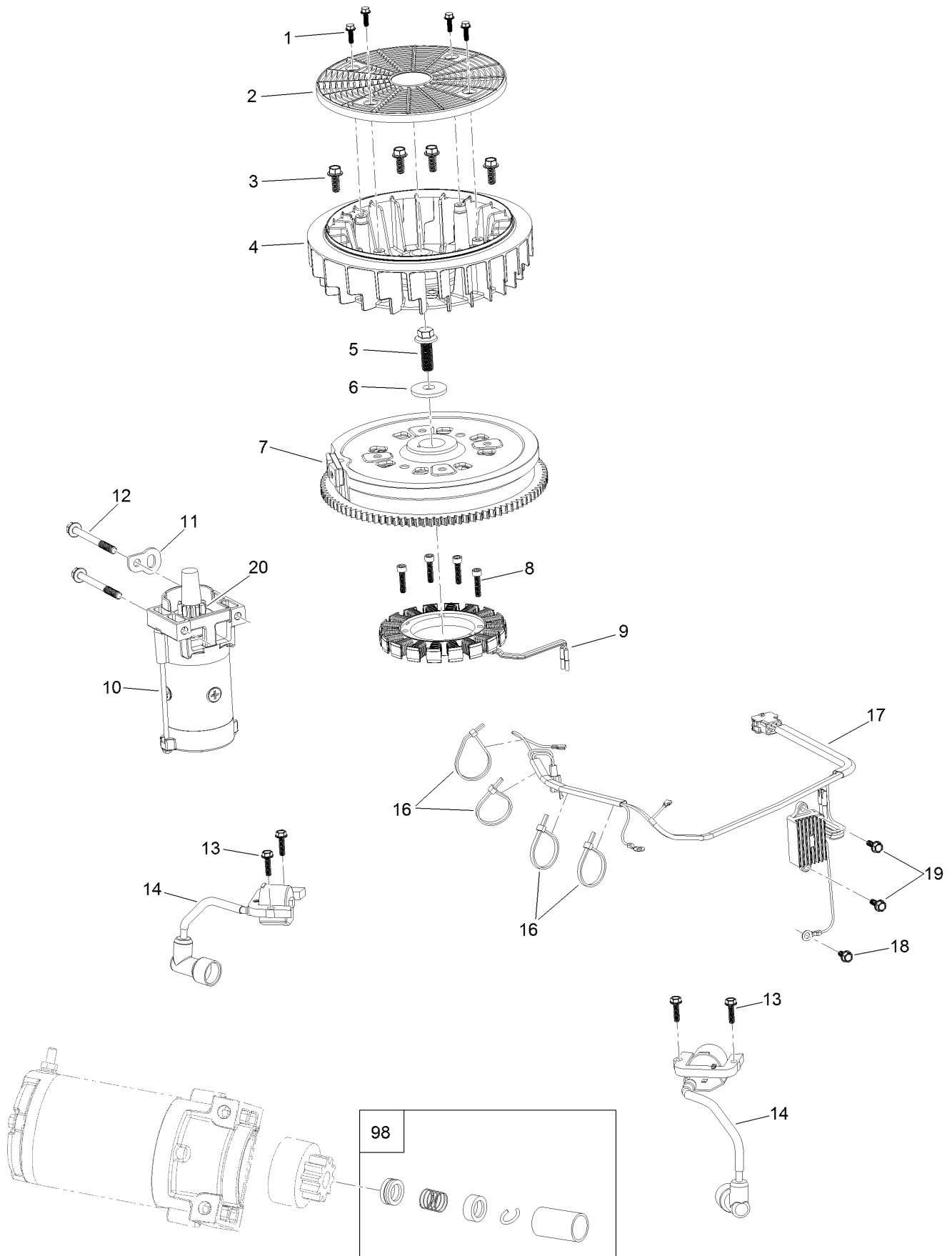
Air Intake and Filtration Assembly



Air Intake and Filtration Assembly (continued)

<i>Ref.</i>	<i>Part Number</i>	<i>Qty.</i>	<i>Description</i>	<i>Ref.</i>	<i>Part Number</i>	<i>Qty.</i>	<i>Description</i>
1	127-9235	1	Tube-Breather	5	127-9187	1	Clamp-Hose
2	127-9234	2	Clamp-Hose	6	120-4236	4	Nut-Flange
3	127-9252	1	Filter-Air, Complete	7	127-9047	1	Manifold-Filter, Air
3:1	127-9288	1	Filter-Pre, Foam	8	127-9251	1	Gasket-Carburetor
4	127-9253	1	Hose-Fuel				

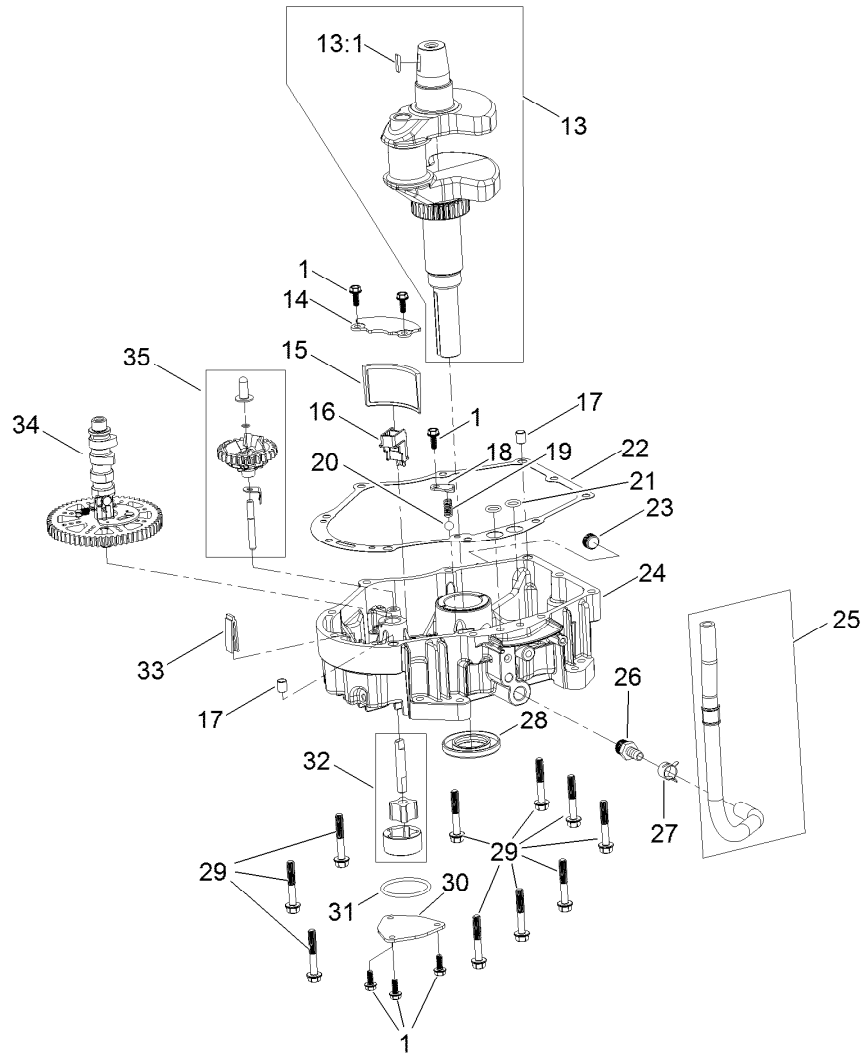
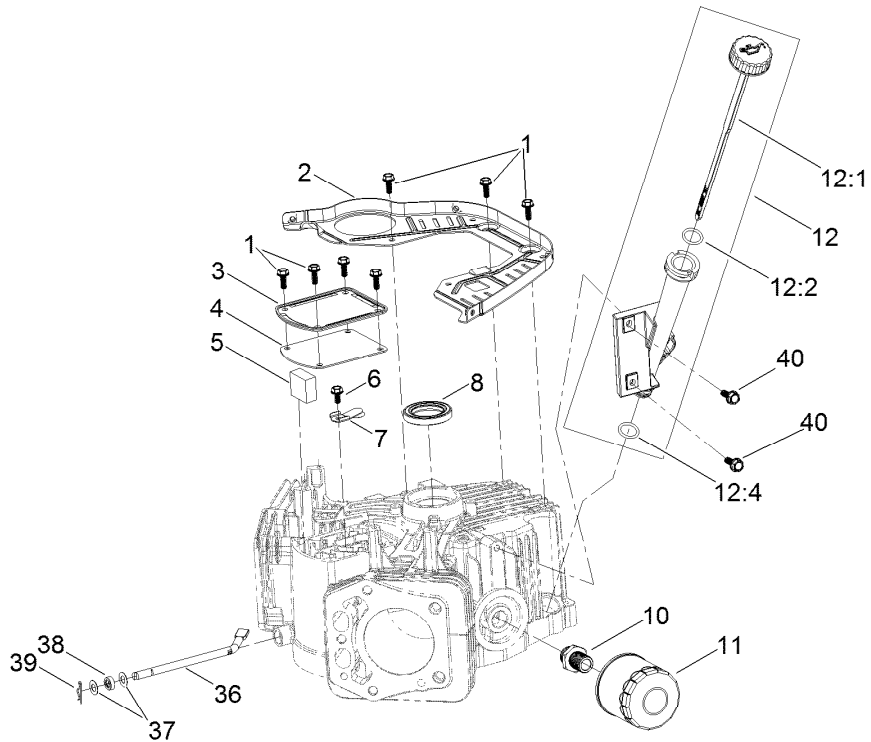
Ignition and Electrical Assembly



Ignition and Electrical Assembly (continued)

<i>Ref.</i>	<i>Part Number</i>	<i>Qty.</i>	<i>Description</i>	<i>Ref.</i>	<i>Part Number</i>	<i>Qty.</i>	<i>Description</i>
1	127-9197	4	Screw-HWH	12	120-4231	2	Screw-HHF
2	127-9198	1	Screen-Rotating	13	121-0007	4	Bolt-Flange
3	127-9199	4	Screw-HWH	14	127-9216	2	Ignition Coil ASM
4	127-9200	1	Fan-Cooling	16	127-9220	4	Tie-Zip
5	127-9201	1	Screw-HWH	17	127-9219	1	Regulator-Voltage W/Harness
6	127-9202	1	Washer-Flat	18	120-4216	1	Screw-HHF
7	127-9306	1	Flywheel	19	120-4232	2	Screw-HHF
8	127-9210	4	Screw-HSH	20	133-1562	1	Pinion-Starter
9	127-9211	1	Alternator	98	133-1566	1	Starter Repair Kit
10	133-9828	1	Motor-Starter				
11	127-9208	1	Bracket-Lift				

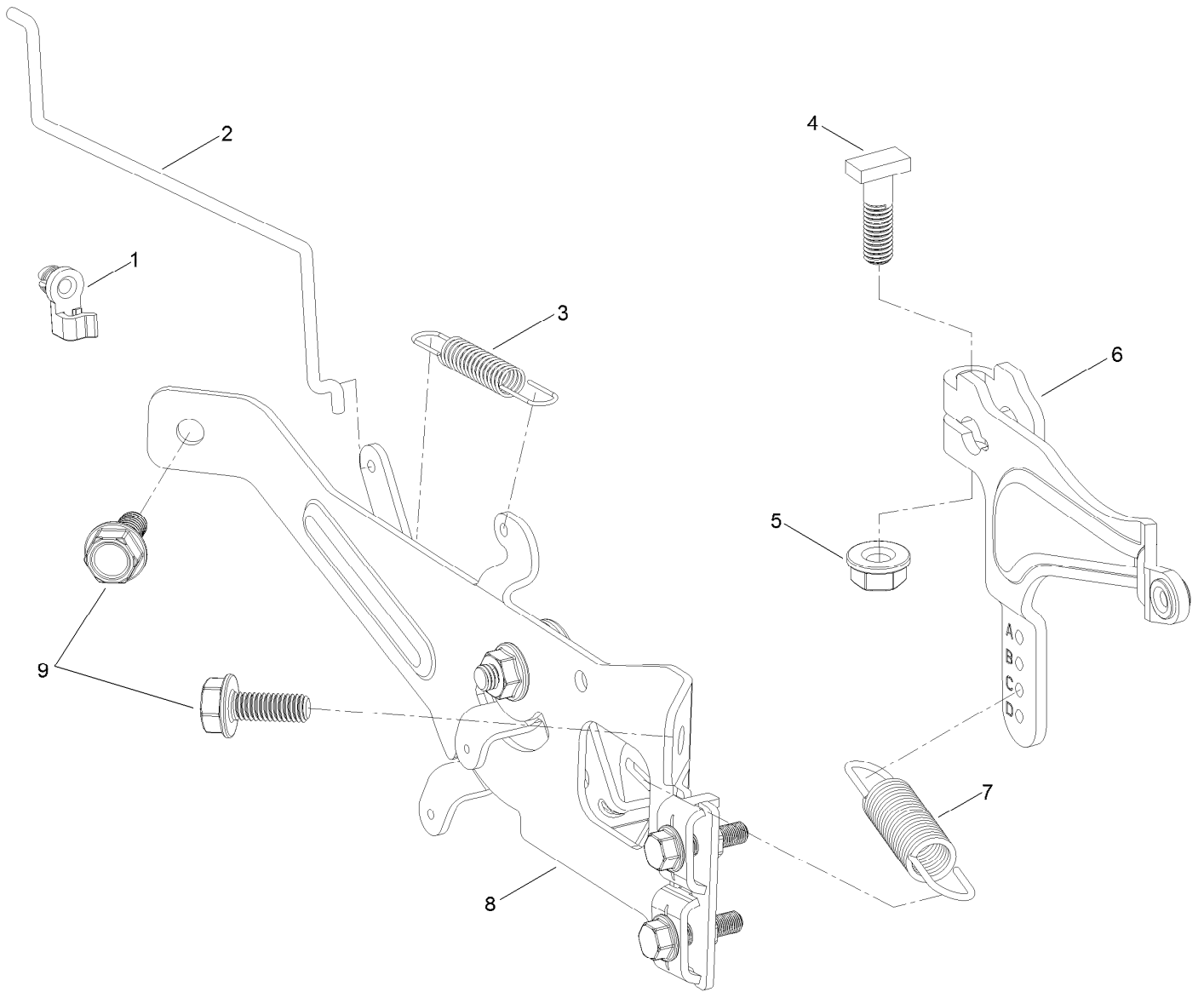
Crankcase and Crankshaft Assembly



Crankcase and Crankshaft Assembly (continued)

<i>Ref.</i>	<i>Part Number</i>	<i>Qty.</i>	<i>Description</i>	<i>Ref.</i>	<i>Part Number</i>	<i>Qty.</i>	<i>Description</i>
1	120-4232	14	Screw-HHF	20	127-9266	1	Valve-Ball
2	127-9212	1	Baffle	21	120-4262	2	O-Ring
3	127-9213	1	Cover-Breather	22	127-9267	1	Gasket-Cover, Crankcase
4	127-9214	1	Gasket-Breather	23	133-9805	1	Plug-Drain
5	127-9215	1	Filter-Breather	24	127-9268	1	Cover-Crankcase
6	120-4216	1	Screw-HHF	25	127-9293	1	Oil Drain Hose ASM
7	127-9217	1	Valve-Breather	26	127-9275	1	Fitting-Hose
8	120-4267	1	Seal-Oil	27	127-9276	1	Clamp-Hose
10	120-4346	1	Adaptor-Filter, Oil	28	127-9271	1	Seal
11	120-4276	1	Filter-Oil	29	121-0473	10	Screw-HHF
12	127-9218	1	Oil Tube ASM	30	127-9274	1	Cover-Oil Pump
12:1	127-9283	1	Dipstick	31	127-9273	1	O-Ring
12:2	127-9284	1	O-Ring	32	127-9272	1	Oil Pump ASM
12:4	127-9286	1	O-Ring	33	120-4275	1	Deflector-Oil, Rubber
13	127-9255	1	Crankshaft	34	133-1568	1	Camshaft
13:1	120-4320	1	Key-Woodruff	35	133-9807	1	Governor ASM
14	127-9261	1	Cover-Screen, Oil	36	127-9238	1	Shaft-Governor
15	127-9262	1	Screen-Oil	37	120-4258	2	Washer-Plain
16	127-9263	1	Retainer-Screen	38	120-4257	1	Seal-Oil
17	120-4274	2	Pin-Dowel	39	120-4256	1	Pin-Hair
18	127-9264	1	Plate-Retainer	40	120-4232	2	Screw-HHF
19	127-9265	1	Spring				

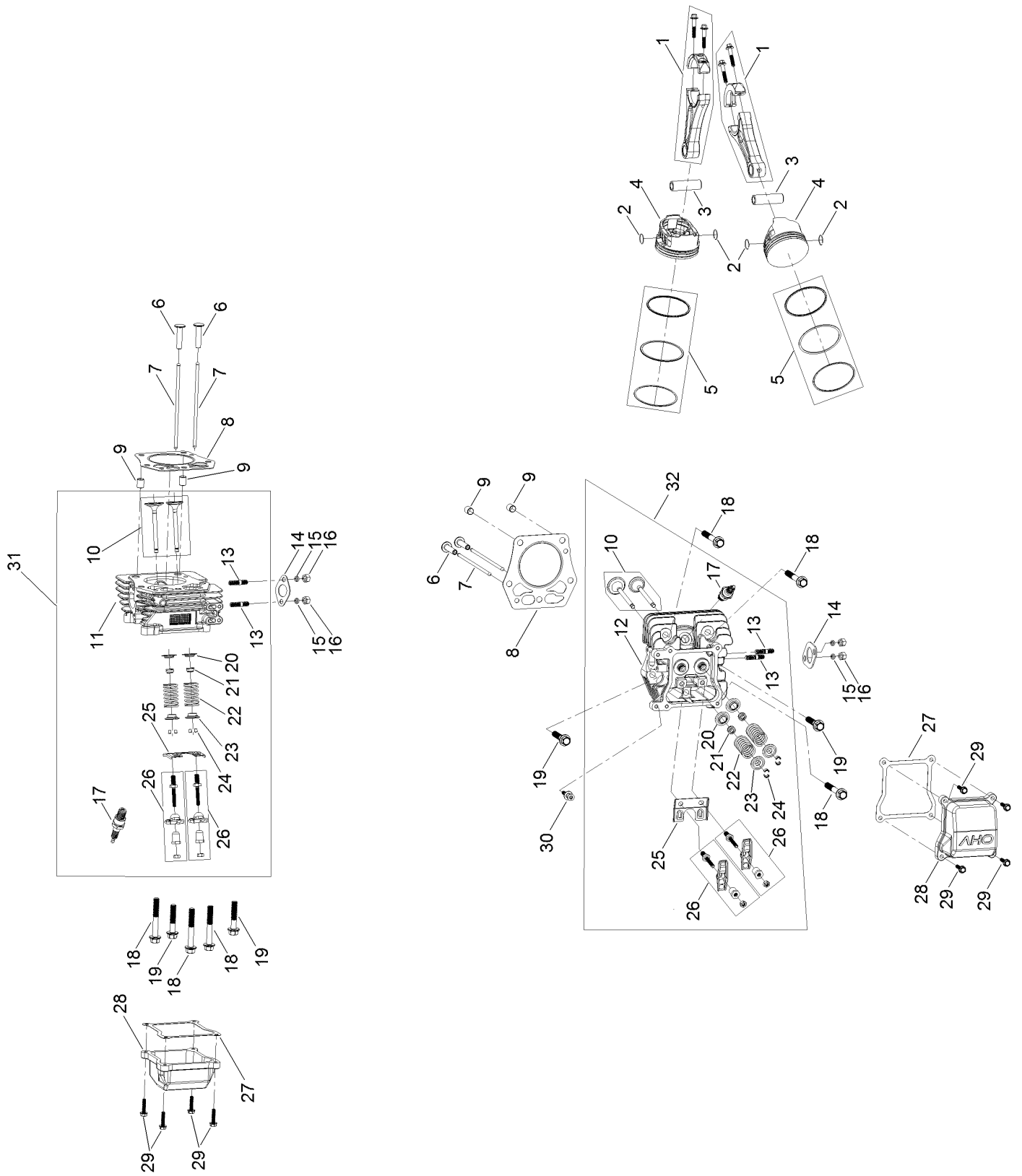
Governor Control Assembly



Governor Control Assembly (continued)

<i>Ref.</i>	<i>Part Number</i>	<i>Qty.</i>	<i>Description</i>	<i>Ref.</i>	<i>Part Number</i>	<i>Qty.</i>	<i>Description</i>
1	127-9250	1	Clip-Linkage	6	127-9239	1	Arm-Governor
2	127-9242	1	Linkage-Choke	7	133-9809	1	Spring-Governor
3	127-9241	1	Spring-Governor	8	133-1570	1	Control Plate ASM
4	120-4238	1	Bolt-Arm, Governor	9	120-4232	2	Screw-HHF
5	120-4236	1	Nut-Flange				

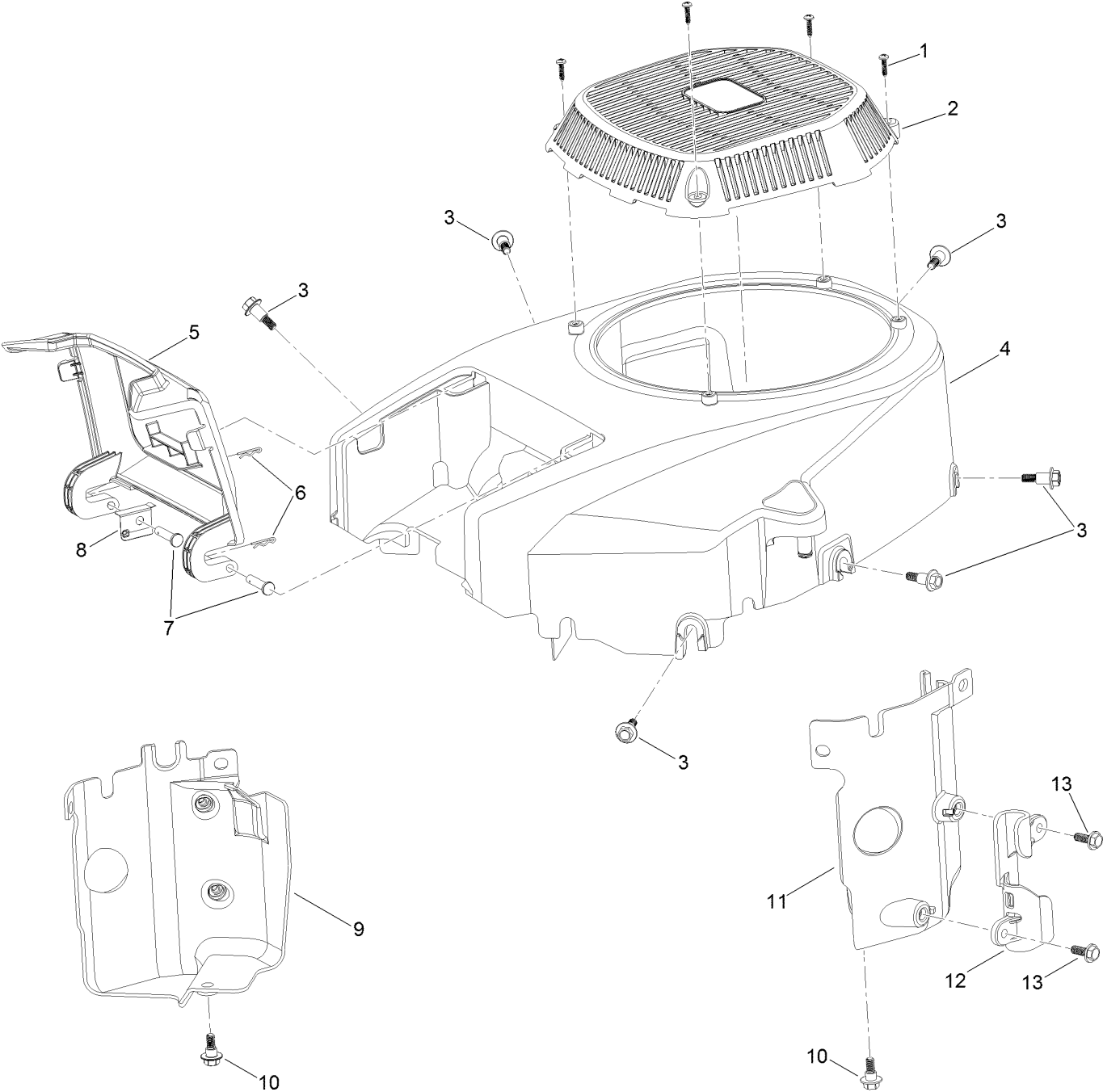
Piston and Cylinder Head Assembly



Piston and Cylinder Head Assembly (continued)

<i>Ref.</i>	<i>Part Number</i>	<i>Qty.</i>	<i>Description</i>	<i>Ref.</i>	<i>Part Number</i>	<i>Qty.</i>	<i>Description</i>
1	127-9256	2	Connecting Rod ASM	17	81-3250	2	Spark Plug
2	127-9258	4	Clip-Pin, Piston	18	127-9231	6	Screw-HWH
3	127-9257	2	Pin-Piston	19	127-9232	4	Screw-HWH
4	127-9259	2	Piston	20	120-4303	4	Seat-Spring, Valve
5	127-9260	2	Piston Ring Set	21	120-4304	4	Seal-Stem, Valve
6	127-9224	4	Lifter-Valve	22	120-4305	4	Spring-Valve
7	127-9225	4	Rod-Push	23	120-4306	4	Retainer-Spring, Valve
8	127-9226	2	Gasket-Head, Cylinder	24	120-4307	8	Keeper-Valve
9	127-9227	4	Pin-Dowel	25	127-9233	2	Plate-Guide, Push Rod
10	127-9228	2	Valve Set	26	127-9294	4	Rocker Arm ASM
11	127-9229	1	Head-Cylinder	27	127-9295	2	Gasket-Valve Cover
12	127-9254	1	Head-Cylinder	28	127-9050	2	Cover-Valve
13	121-0464	4	Stud-Exhaust	29	120-4225	8	Screw-HHF
14	120-4317	2	Gasket-Exhaust	30	120-4214	1	Screw-Shoulder, HH
15	127-9279	4	Washer-Lock, Split	31	133-9819	1	Right Head ASM
16	121-0199	4	Nut-HH	32	133-9820	1	Left Head ASM

Blower Housing Assembly

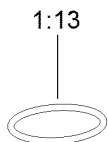
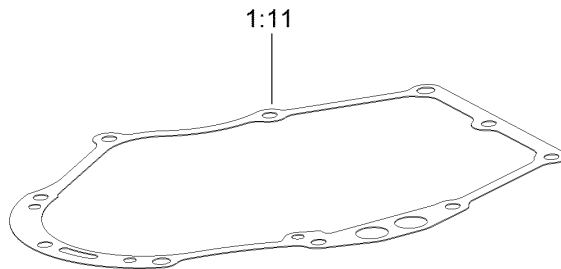
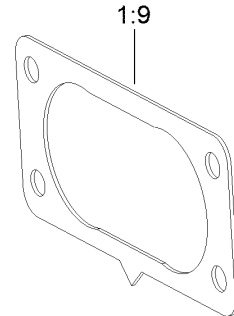
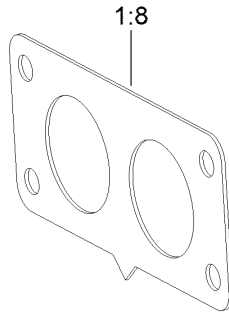
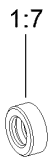
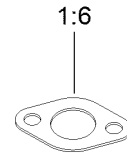
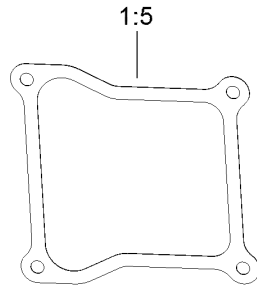
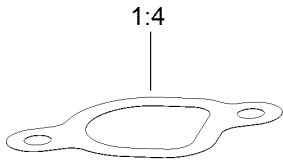
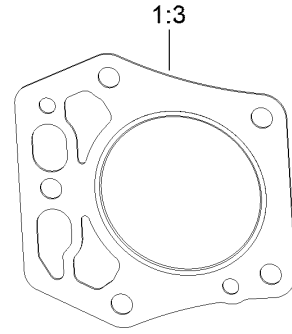
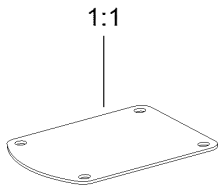


Blower Housing Assembly (continued)

<i>Ref.</i>	<i>Part Number</i>	<i>Qty.</i>	<i>Description</i>	<i>Ref.</i>	<i>Part Number</i>	<i>Qty.</i>	<i>Description</i>
1	133-1571	4	Screw-PPH, Plastic	8	127-9281	1	Plate-Spring
2	127-9045	1	Cover-Fan	9	127-9049	1	Baffle-Air, Left
3	127-9196	6	Screw-Shoulder, HWH	10	120-4210	2	Screw-Shoulder, HHF
4	133-1572	1	Shroud-Engine	11	127-9048	1	Baffle-Air, Right
5	127-9046	1	Door-Filter, Air	12	127-9287	1	Cleat-Hose
6	127-9280	2	Pin-Hair	13	120-4232	2	Screw-HHF
7	127-9282	2	Pin				

Gasket and Seal Kit

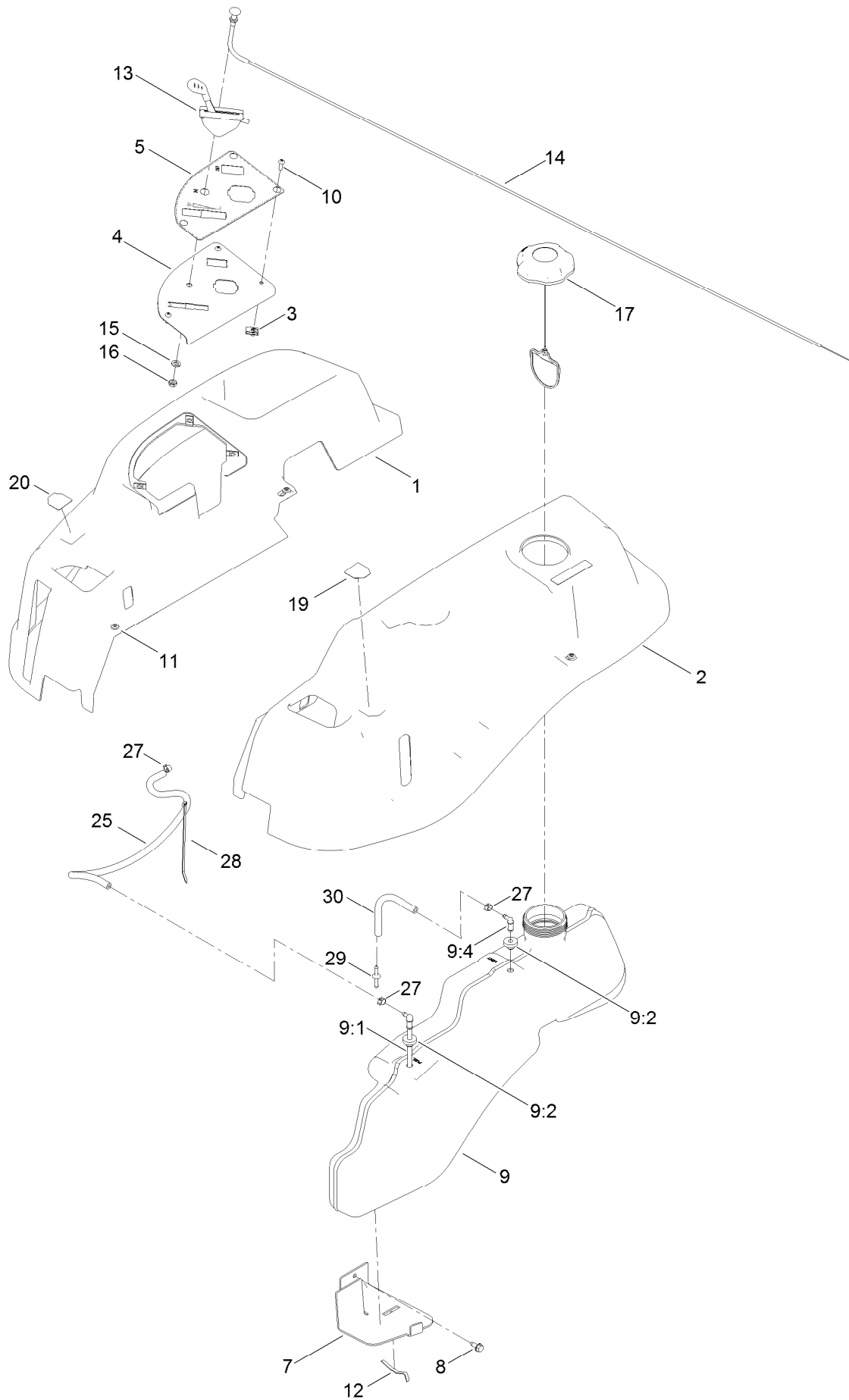
1



Gasket and Seal Kit (continued)

<i>Ref.</i>	<i>Part Number</i>	<i>Qty.</i>	<i>Description</i>	<i>Ref.</i>	<i>Part Number</i>	<i>Qty.</i>	<i>Description</i>
1	127-9296	1	Gasket And Seal Kit	1:8	127-9246	2	Gasket-Carburetor
1:1	127-9214	1	Gasket-Breather	1:9	127-9251	1	Gasket-Carburetor
1:2	120-4267	1	Seal-Oil	1:10	120-4262	2	O-Ring
1:3	127-9226	2	Gasket-Head, Cylinder	1:11	127-9267	1	Gasket-Cover, Crankcase
1:4	127-9230	2	Gasket-Intake	1:12	127-9271	1	Seal
1:5	127-9295	2	Gasket-Valve Cover	1:13	127-9273	1	O-Ring
1:6	120-4317	2	Gasket-Exhaust	1:14	127-9284	1	O-Ring
1:7	120-4257	1	Seal-Oil	1:15	127-9286	1	O-Ring

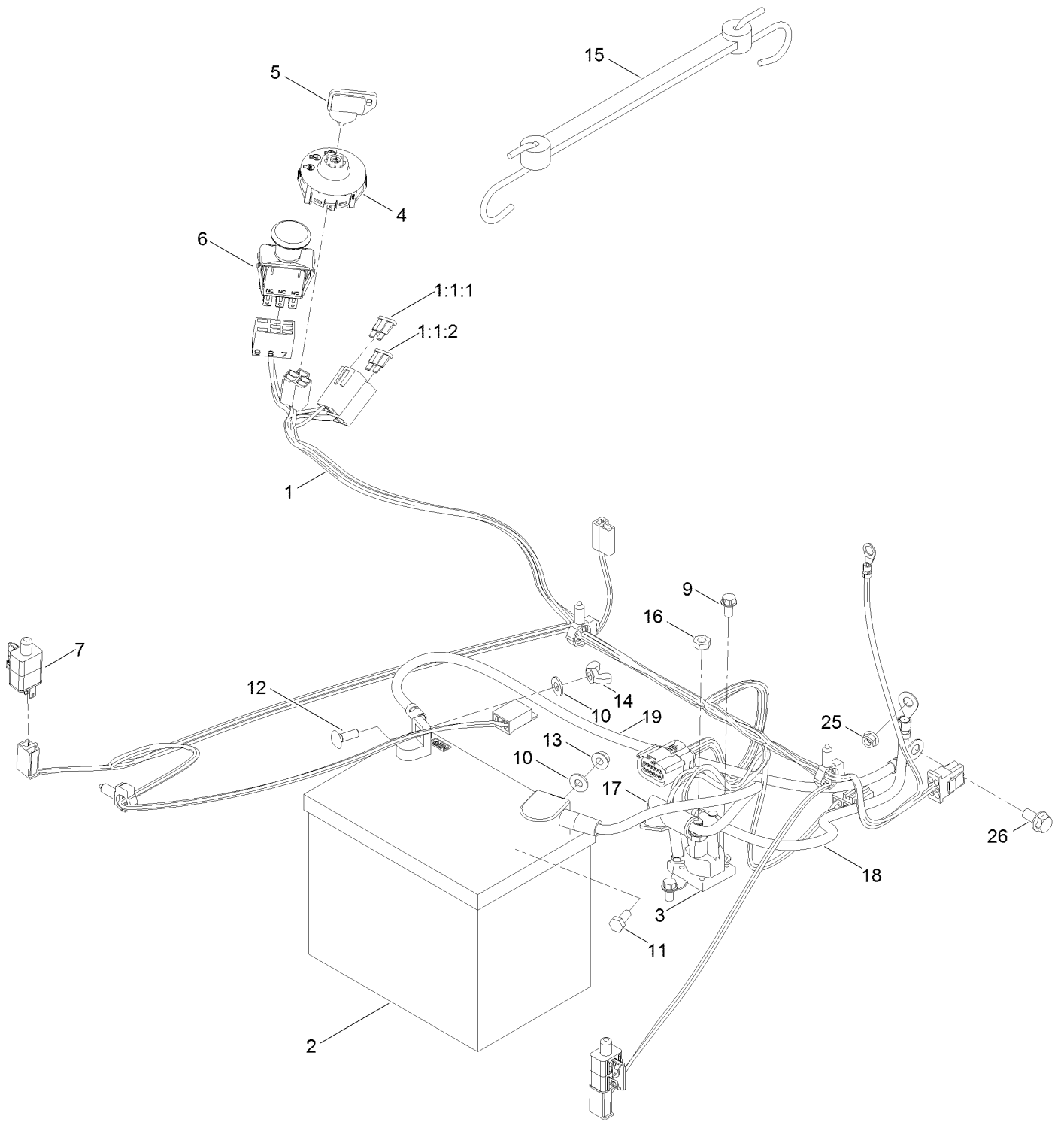
Body Styling and Fuel Tank Assembly



Body Styling and Fuel Tank Assembly (continued)

<i>Ref.</i>	<i>Part Number</i>	<i>Qty.</i>	<i>Description</i>	<i>Ref.</i>	<i>Part Number</i>	<i>Qty.</i>	<i>Description</i>
1	119-3338	1	Pod-RH	12	609830	2	Spring
2	119-3337	1	Pod-LH	13	121-0769	1	Cable-Throttle
3	107069	3	Clip	14	112-9753	1	Cable-Choke
4	119-3377-03	1	Plate-Control	15	3253-21	1	Washer-Lock
5	121-0773	1	Decal-Panel, Control	16	3220-3	1	Nut-HJ
7	119-3395-03	1	Support-Tank, Front	17	137-4119	1	Cap-Fuel, Ratcheting
8	32144-70	2	Screw-HWHTF	19	119-8814	1	Decal-Lever, Control (LH)
9	119-3324	1	Fuel Tank ASM	20	119-8815	1	Decal-Lever, Control (RH)
9:1	121-0793	1	Connector-Elbow, 90 DEG	25	109-0281	1	Hose-Fuel
9:2	46-6560	2	Bushing	27	2412-98	3	Clamp-Hose
9:4	117-7400	1	Fitting-Plastic	28	614249	1	Tie-Cable
10	3258-166	3	Screw-PRH	29	117-5399	1	Adaptor-Orifice
11	120-7950	6	Screw-Shoulder	30	110-1876	1	Hose-Fuel

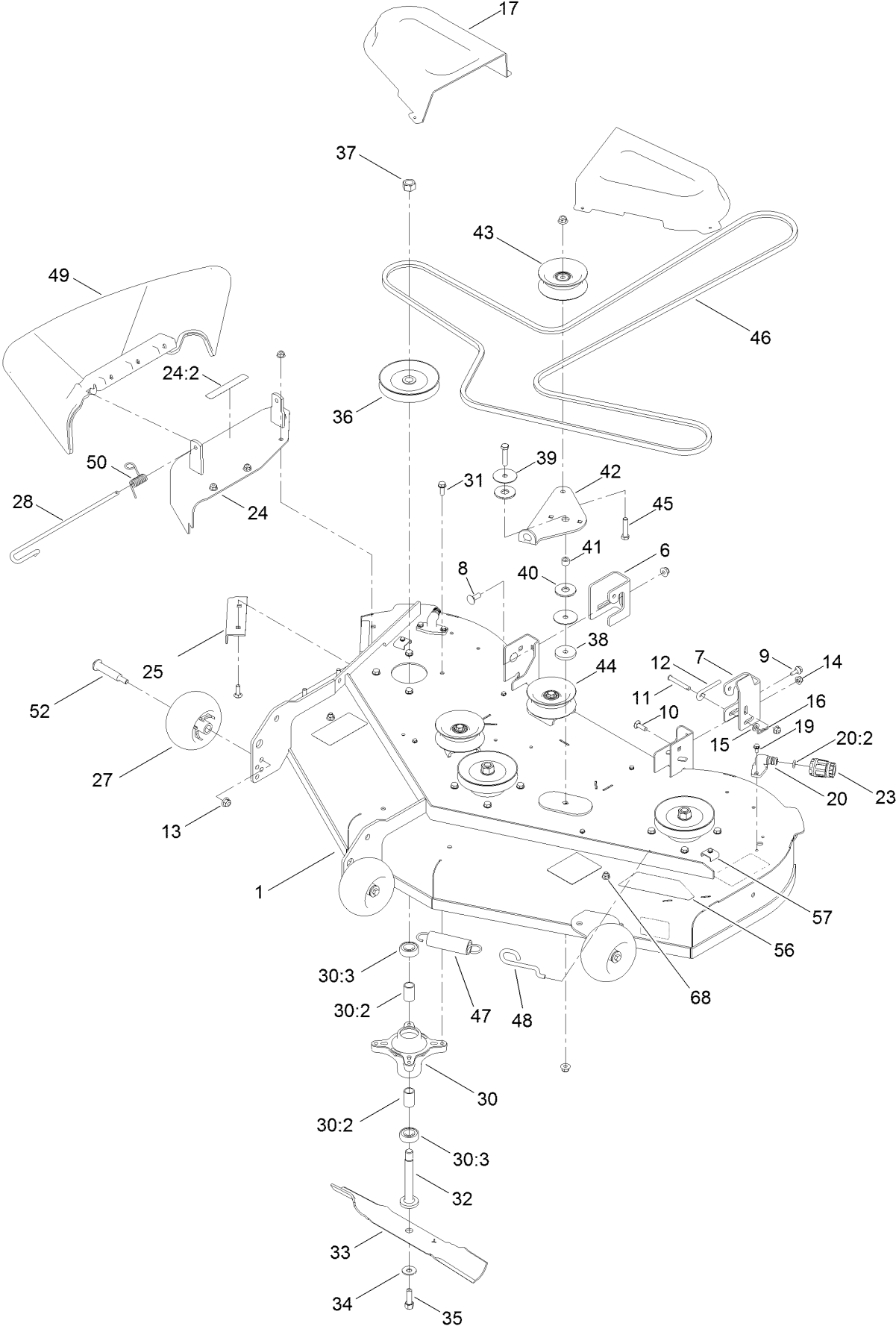
Battery and Electrical Assembly



Battery and Electrical Assembly (continued)

<i>Ref.</i>	<i>Part Number</i>	<i>Qty.</i>	<i>Description</i>	<i>Ref.</i>	<i>Part Number</i>	<i>Qty.</i>	<i>Description</i>
1	136-7482	1	Harness-Wire	11	321-3	1	Screw-HH
1:1:1	109103	1	Fuse-Blade, 30 Amp	12	3229-1	1	Bolt-CARR
1:1:2	109102	1	Fuse-Blade, 25 Amp	13	32128-33	1	Nut-HF
2	105-1692	1	Battery	14	32103-22	1	Nut-Wing
3	117-1197	1	Solenoid	15	104-2466	1	Holddown-Battery
4	137-4100	1	Switch-Ignition	16	3220-2	2	Nut-Jam
5	63-8360	1	Key-Ignition	17	119-8897	1	Cable-Battery, Red
6	103-5221	1	Switch-PTO	18	121-0711	1	Cable-Battery, Positive
7	110-6765	2	Switch	19	119-8899	1	Cable-Battery, Black
9	32144-4	2	Screw-HWH	25	33003-00	1	Nut-HF
10	3256-22	2	Washer-Flat	26	3234-14	1	Screw-HHF

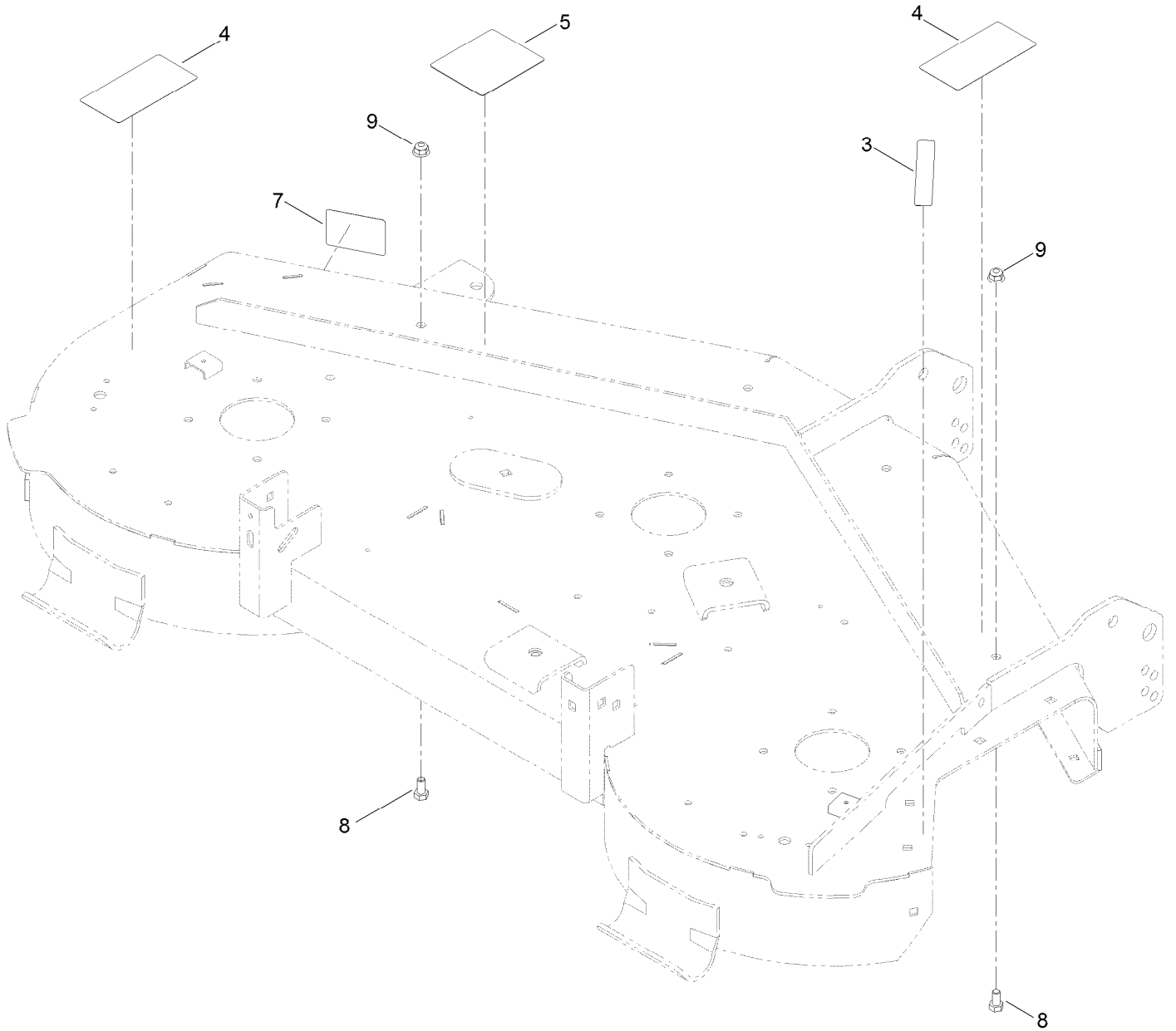
50 Inch Deck Assembly



50 Inch Deck Assembly (continued)

<i>Ref.</i>	<i>Part Number</i>	<i>Qty.</i>	<i>Description</i>	<i>Ref.</i>	<i>Part Number</i>	<i>Qty.</i>	<i>Description</i>
1	131-3614	1	Deck And Decal ASM	31	32144-41	12	Screw-Taptite
6	131-4138	1	Bracket-Hanger, RH	32	117-7268	3	Shaft-Spindle
7	131-1091	1	Bracket-Hanger, LH	33	115-5059-03	3	Blade-Hi Lift
8	3231-2	2	Bolt-CARR	34	3290-465	3	Washer-Belleville
9	120-7024	1	Screw-Shoulder, HHF	35	26-0671	3	Screw-HH
10	3230-22	5	Screw-CARR	36	125-5575	3	Pulley
11	110-0618	1	Pin-Clevis	37	3219-6	3	Nut-Hex
12	131-0955	1	Rod-Level, Deck	38	110-9981	1	Washer-Plain
13	104-8301	7	Nut-HF, NI	39	120-2229	2	Washer
14	104-8300	8	Nut-HF, NI	40	114-0463	2	Washer-Friction, Composite
15	3256-23	1	Washer-Plain	41	115-4986	1	Spacer
16	1-806003	1	Pin-Cotter	42	114-8540	1	Arm-Idler
17	108-7890	2	Cover-Belt	43	132-9420	3	Pulley-Idler, Flat
19	32144-4	4	Screw-HWH	44	3256-24	2	Washer-Flat
20	133-9289	2	Fitting-Washout	45	323-9	4	Screw-HH
20:2	133-9290	1	O-Ring	46	119-8820	1	V-Belt
23	95-3270	1	Connector-Hose	47	1-603414	1	Spring-Extension
24	131-3962	1	Cover ASM W/Decal	48	112-3973	1	Hook-Return, Spring
24:2	93-7009	1	Decal-Danger	49	121-0739	1	Deflector-Discharge
25	120-7951-03	1	Baffle-Cutoff	50	121-2983	1	Spring-Torsion
27	1-603299	3	Roller-Scalp, Anti	52	112-3977	3	Bolt-Shoulder
28	109-8854	1	Pin-Chute	56	121-0792	1	Decal-Deck
30	121-0751	3	Spindle ASM	57	32144-1	6	Screw-Taptite
30:2	120-7935	2	Spacer	68	322-2	2	Screw-HH
30:3	136-5441	2	Bearing-Ball				

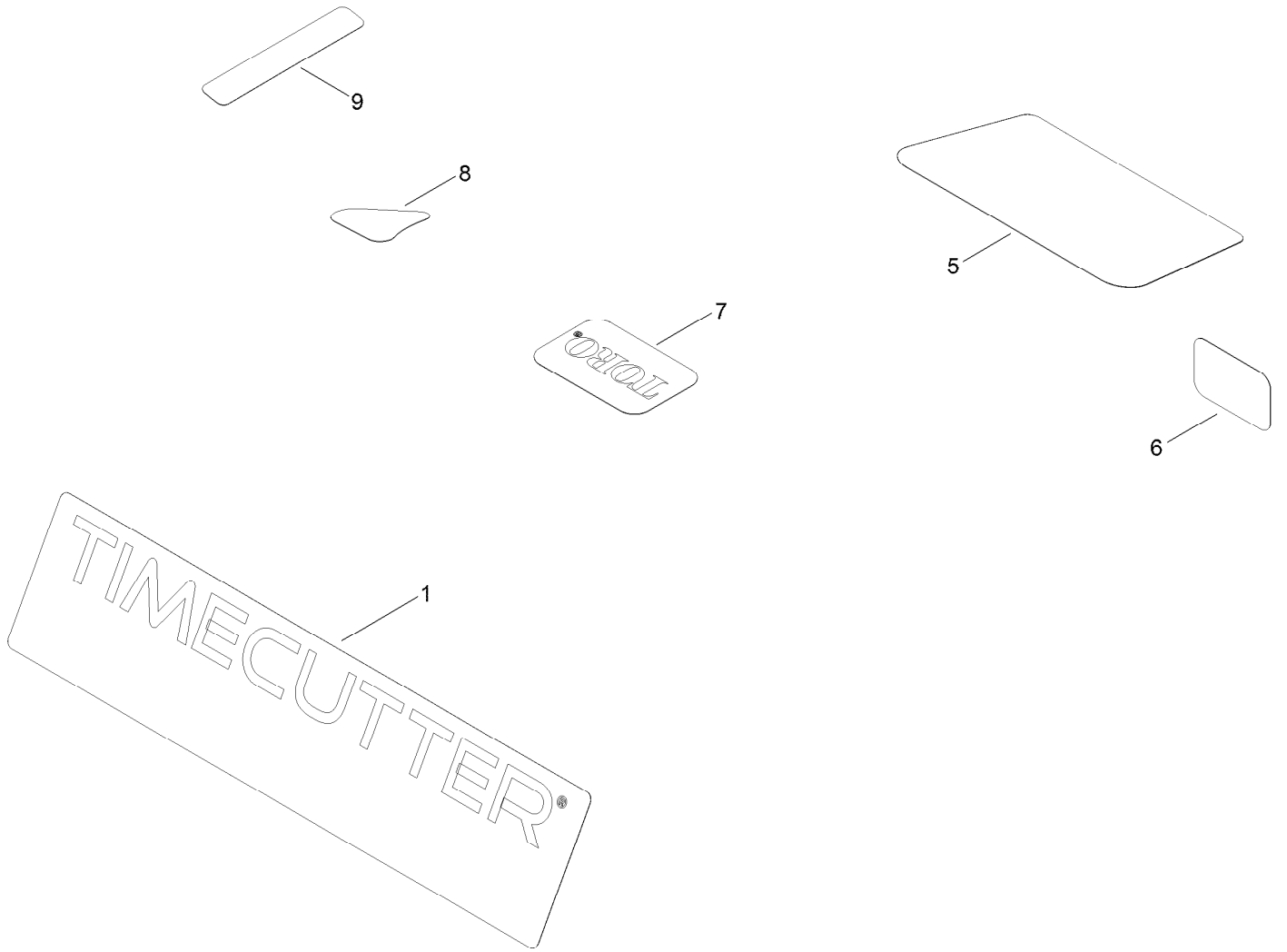
50 Inch Deck and Decal Assembly No. 131-3614



50 Inch Deck and Decal Assembly No. 131-3614 (continued)

<i>Ref.</i>	<i>Part Number</i>	<i>Qty.</i>	<i>Description</i>	<i>Ref.</i>	<i>Part Number</i>	<i>Qty.</i>	<i>Description</i>
3	93-7009	1	Decal-Danger	7	112-9840	1	Decal-Scalp, Anti
4	132-0872	2	Decal-Danger, Deck	8	322-2	2	Screw-HH
5	99-3943	1	Decal-Routing, Belt	9	104-8300	2	Nut-HF, NI

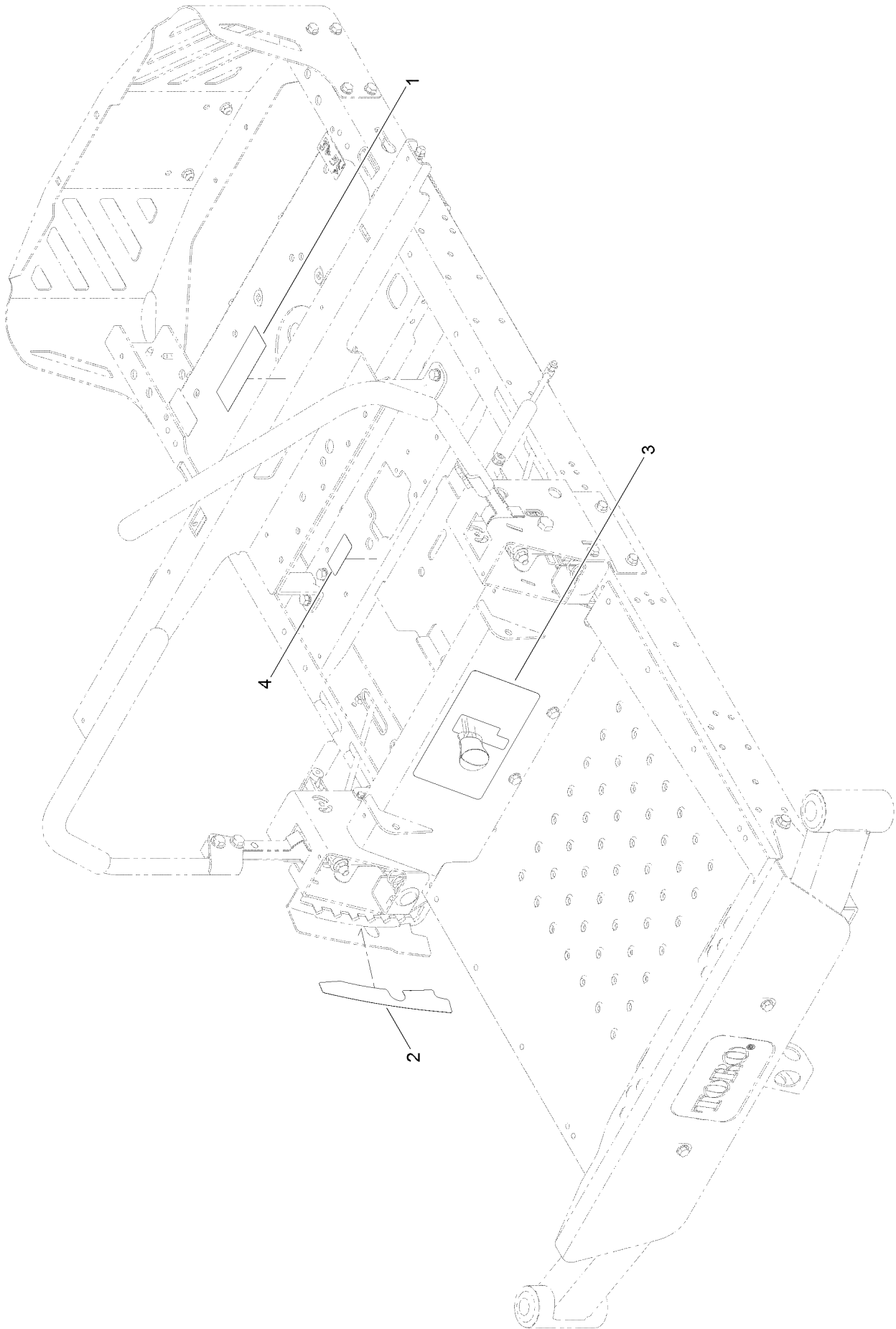
Model Specific Decal Assembly



Model Specific Decal Assembly (continued)

<i>Ref.</i>	<i>Part Number</i>	<i>Qty.</i>	<i>Description</i>	<i>Ref.</i>	<i>Part Number</i>	<i>Qty.</i>	<i>Description</i>
1	136-5578	1	Decal-Timecutter	7	131-4157	1	Decal
5	136-5597	1	Decal-Engine	8	131-1097	1	Decal-Drain, Oil
6	127-9076	1	Placard-Intake	9	132-0904	1	Decal-Shutdown

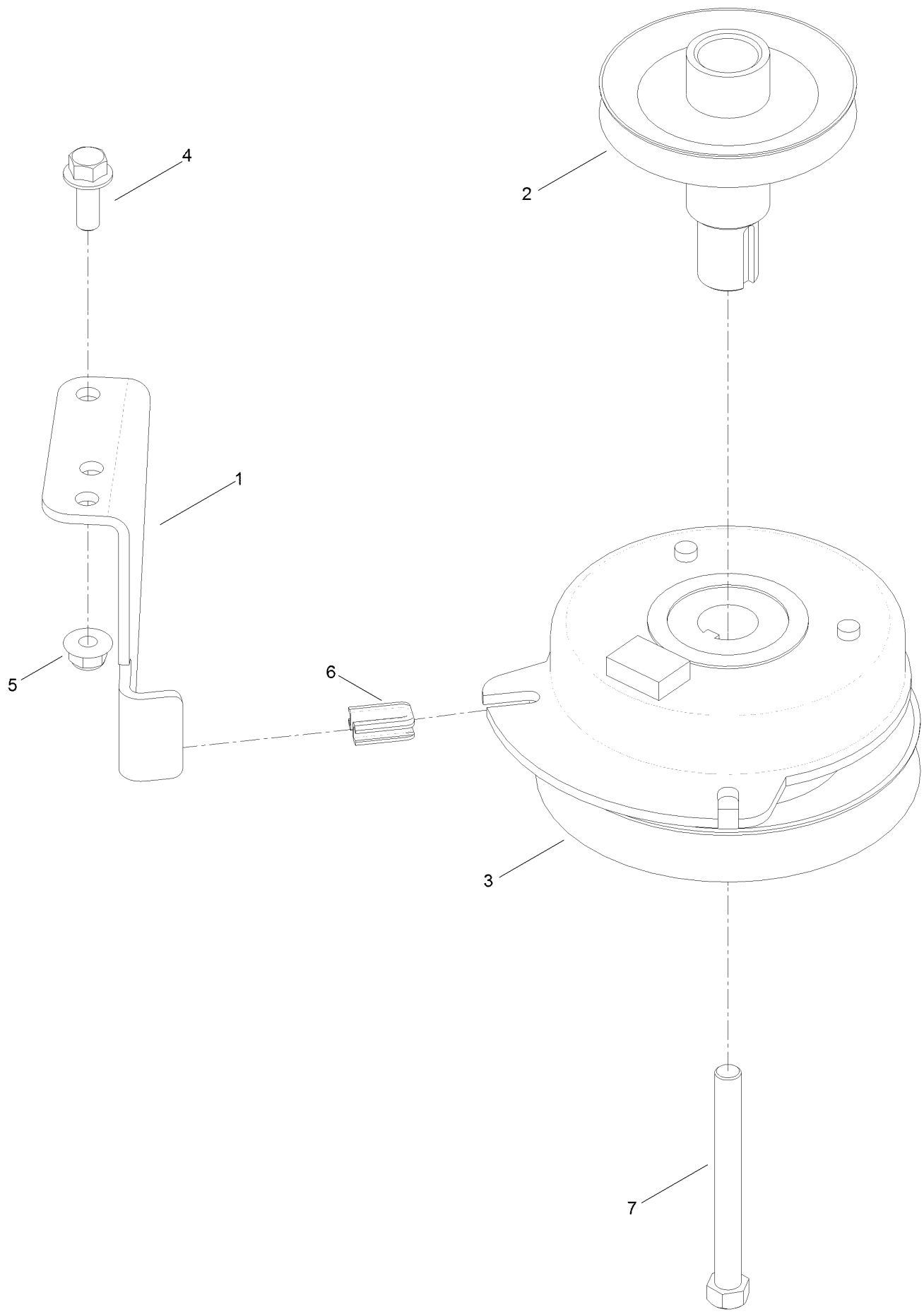
Frame Decal Assembly



Frame Decal Assembly (continued)

<i>Ref.</i>	<i>Part Number</i>	<i>Qty.</i>	<i>Description</i>	<i>Ref.</i>	<i>Part Number</i>	<i>Qty.</i>	<i>Description</i>
1	106-8717	1	Decal-Service, CE	3	131-3947	1	Decal-Control, Speed
2	119-8870	1	Decal-HOC	4	121-5684	1	Decal-Location, Service Dealer

Clutch Assembly



Clutch Assembly (continued)

<i>Ref.</i>	<i>Part Number</i>	<i>Qty.</i>	<i>Description</i>	<i>Ref.</i>	<i>Part Number</i>	<i>Qty.</i>	<i>Description</i>
1	119-8885	1	Stop-Clutch	5	104-8301	1	Nut-HF, NI
2	130-6854	1	Pulley-Engine	6	120-2217	1	Isolator-Clutch
3	127-3408	1	Clutch-PTO	7	3212-17	1	Screw-HH
4	3234-42	1	Screw-HHF				

Attachments and Accessories

For 74775 TimeCutter MX 5000 Riding Mower

Product Name	Model/Part
Arm Rest Kit.....	110-5719
Hourmeter Kit	116-5461
All Season Synthetic Oil (10W30, QT)	117-0066
Fuel Stabilizer (4oz).....	117-0089
Fuel Stabilizer (16oz).....	117-0090
Seat Cover W/O Arm Rest - TC 18in.....	117-0096
Bagging Enhancement Kit	121-5692
Striping Kit	121-5706
Jack Mount Kit.....	126-5251
Jack Kit.....	127-6666
Attachment Mount Kit	131-3966
Weight Kit	131-7658
Deluxe Seat Kit.....	131-7699
Toro V-Twin Engine Maintenance Kit	132-4878
Floor Mat Kit	132-6921
Maintenance Kit Toro V-twin Hd Engine	136-7847
Pro-Control Damper Kit	138-7588
10w30 4-cycle Engine Oil (32oz Bottle)	38280
Toro 4-cycle SAE 30 Oil (32oz Bottle)	38903
Storage Cover	490-7516
Foot Assist Deck Lift Kit, 2011 and After Zero-Turn-Radius Riding Mower	79010
Sunshade Kit	79011
Blade Kit	79016P
50in Recycler Kit.....	79024
Cargo Carrier.....	79040
Assist Handle and Step Kit	79339
50in Bagger	79395

Notes:



Count on it.