



**Count on it.**

**Parts Catalog**

**TimeCutter® MX 5075**

**Riding Mower**

Model No. 74768—Serial No. 400000000 and Up

Model No. 74778—Serial No. 400000000 and Up



# Ordering Replacement Parts

To order replacement parts, please supply the part number, the quantity, and the description of each part desired.

## Understanding Reference Numbers

Each identified part in an illustration has a reference number. The reference number for a part also appears in the parts list, along with other information about the part.

This catalog uses two special reference number formats, one to indicate parts in a service assembly and another to indicate the quantity of a given part in an illustration.

## Service Assembly Reference Numbers

Parts in service assemblies have reference numbers in the form a:b. The a represents the reference number of the entire service assembly and the b represents a sequential number unique to each part within the service assembly.

For example, a wheel assembly might be identified by reference number 6, the tire by 6:1, the valve by 6:2, and the wheel by 6:3. When you order the assembly identified by reference number 6, you receive all parts identified by reference numbers 6:1, 6:2, and 6:3. However, you may also order any part individually. Reference numbers of this type appear in illustration and in parts lists.

## Reference Numbers Indicating Quantity

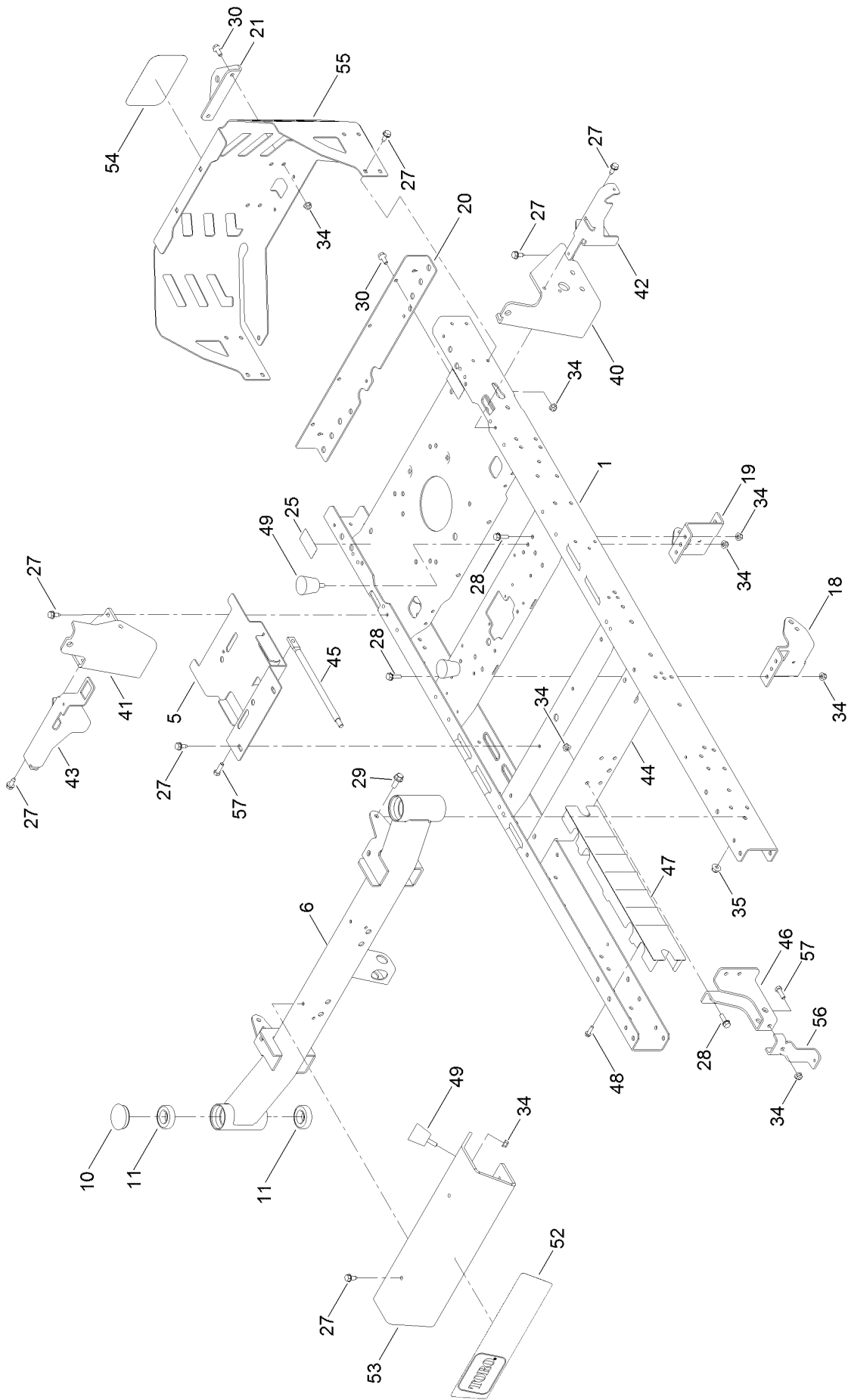
In an illustration, if a reference number indicates more than one part, the reference number has the form nX y. The n represents the quantity of the part, the X is the multiplication symbol, and the y represents the reference number.

For example, in an illustration, the reference number 2X 37 means that two of the parts identified by reference number 37 are indicated.

# Contents

Frame Assembly	4
Deck Lift Assembly	6
Caster, Wheel and Tire Assembly	8
Hydro Transaxle Drive and Rear Wheel Assembly	10
LH Transaxle Assembly No. 131-3640	12
RH Transaxle Assembly No. 131-3641	14
Brake Assembly	16
Rear Tire Assembly	18
Seat Pan Assembly	20
Seat Assembly No. 138-2556	22
Motion Control Assembly	24
Engine Assembly	26
Fuel System Assembly	28
Carburetor Assembly	30
Air Intake and Filtration Assembly	32
Ignition and Electrical Assembly	34
Crankcase and Crankshaft Assembly	36
Governor Control Assembly	38
Piston and Cylinder Head Assembly	40
Blower Housing Assembly	42
Gasket and Seal Kit	44
Body Styling and Fuel Tank Assembly	46
Battery and Electrical Assembly	48
50 Inch Deck Assembly	50
50 Inch Deck and Decal Assembly No. 131-3614	52
Model Specific Decal Assembly	54
Maintenance, HOC and Smart Speed Decal Assembly	56
Clutch Assembly	58
Attachments and Accessories	60

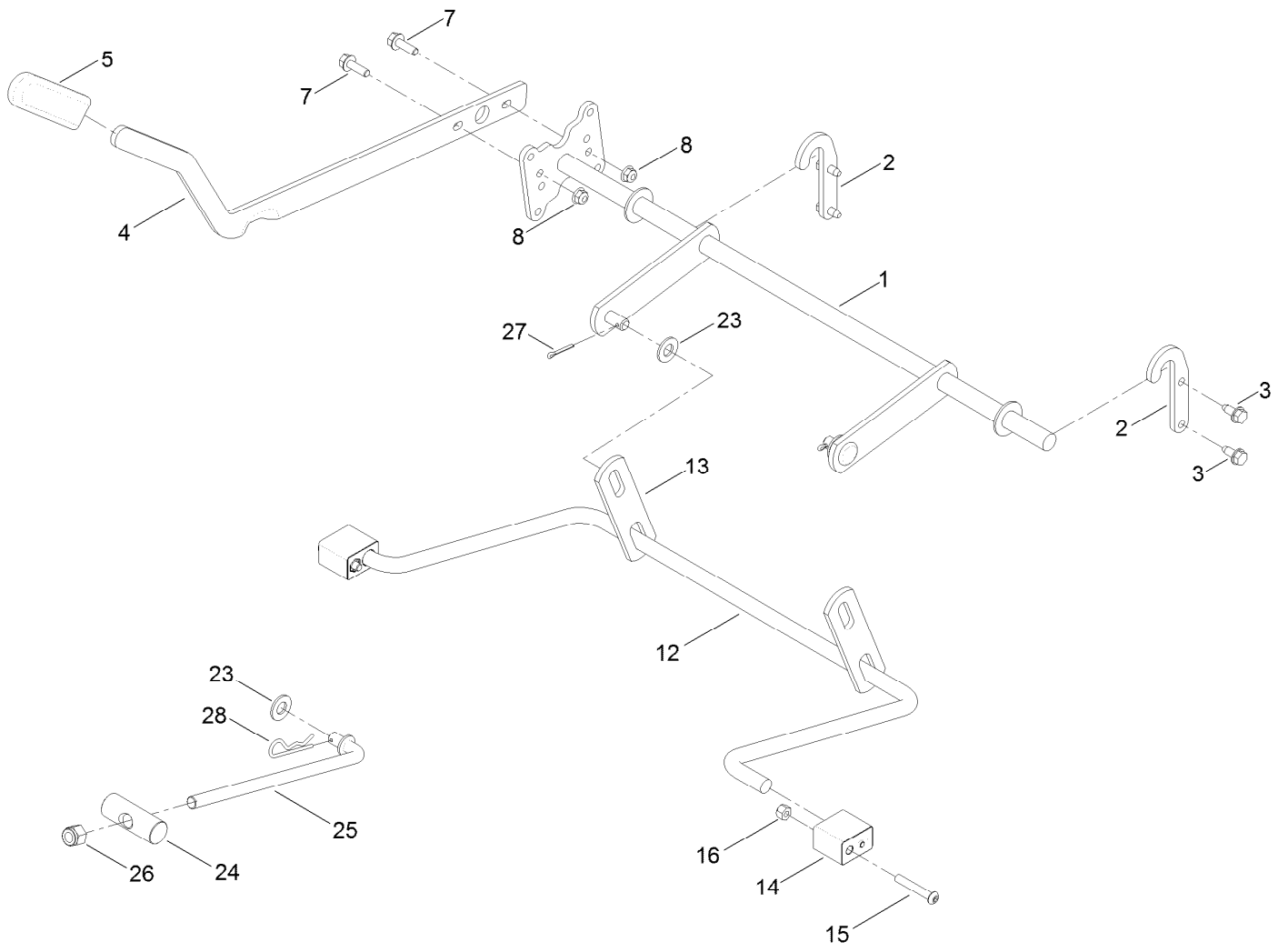
# Frame Assembly



## Frame Assembly (continued)

<i>Ref.</i>	<i>Part Number</i>	<i>Qty.</i>	<i>Description</i>	<i>Ref.</i>	<i>Part Number</i>	<i>Qty.</i>	<i>Description</i>
1	137-7023-01	1	Frame ASM	41	137-5096-01	1	Bracket-Mount
5	133-9271-03	1	Bracket-Battery	42	137-1996-03	1	Support-Pod
6	137-7029-01	1	Axle-Wide	43	137-1995-03	1	Support-Pod
10	116-4348	2	Cap-Grease	44	133-9254-01	1	Brace-Cross, Lower
11	109-3678	4	Bearing-Ball	45	133-9262	1	Rod-Brace
18	137-7020-01	1	Mount-Hydro, Front (Right)	46	137-7022-01	1	Bracket-Mount Damper, Lower
19	137-7021-01	1	Mount-Hydro, Front (Left)	47	137-5093	2	Guard-Rail
20	137-7016-01	1	Crossmember-Rear, Wide	48	46-8091	6	Screw-HWH
21	117-1232-03	1	Bracket-Hitch	49	132-5058	4	Bumper-Rubber
25	121-2989	2	Decal-Bypass	52	137-7043	1	Decal-Timecutter
27	32144-70	16	Screw-HWHTF	53	137-5002-01	1	Step-Front
28	3234-29	4	Screw-HHF	54	99-4693	1	Decal
29	3234-42	10	Screw-HHF	55	137-2034-03	1	Guard-Engine
30	3234-47	8	Screw-HHF	56	137-5077-01	1	Stop-Deck
34	104-8300	12	Nut-HF, NI	57	322-5	2	Screw-HH
35	104-8301	11	Nut-HF, NI				
40	137-5095-01	1	Bracket-Mount				

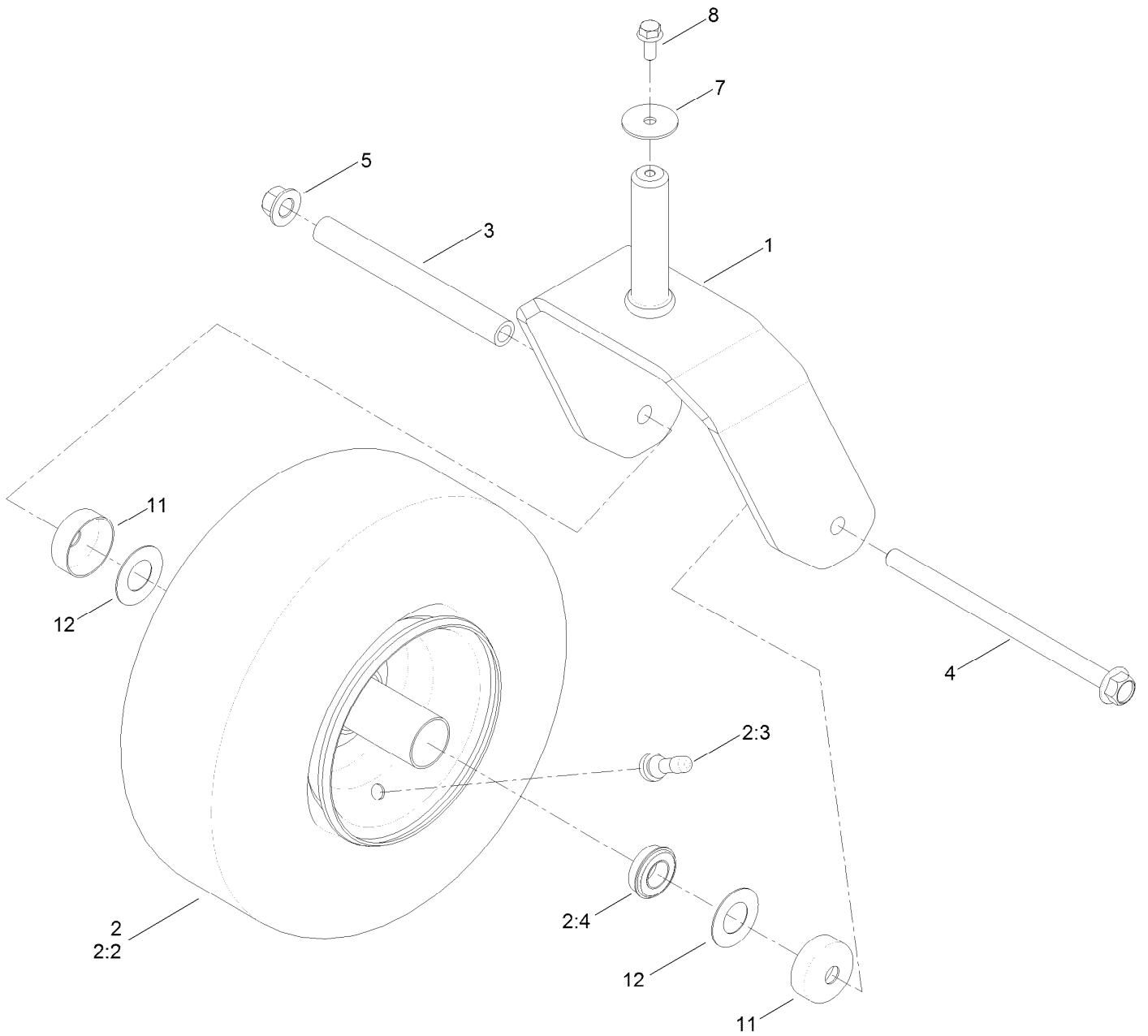
# Deck Lift Assembly



## Deck Lift Assembly (continued)

<i>Ref.</i>	<i>Part Number</i>	<i>Qty.</i>	<i>Description</i>	<i>Ref.</i>	<i>Part Number</i>	<i>Qty.</i>	<i>Description</i>
1	132-6878-03	1	Lift-Deck, Wide	14	108-7845	2	Block-Pivot
2	119-8875	2	Bracket-Lift	15	120-5499	2	Screw-HSBH
3	32144-70	4	Screw-HWHTF	16	3296-29	2	Nut-Lock, NI
4	119-3427-03	1	Lever-Lift	23	3256-26	3	Washer-Flat
5	1-633268	1	Grip-Lever	24	119-8810	1	Pin-Pivot
7	3234-29	2	Screw-HHF	25	133-4319	1	Rod-Mount, Deck
8	104-8300	2	Nut-HF, NI	26	3296-19	1	Nut-Hex
12	119-3347	1	Arm-Lift, Rear (Wide)	27	3272-11	2	Pin-Cotter
13	108-7840	2	Link-Lift	28	1-806005	1	Pin-Cotter

# Caster, Wheel and Tire Assembly



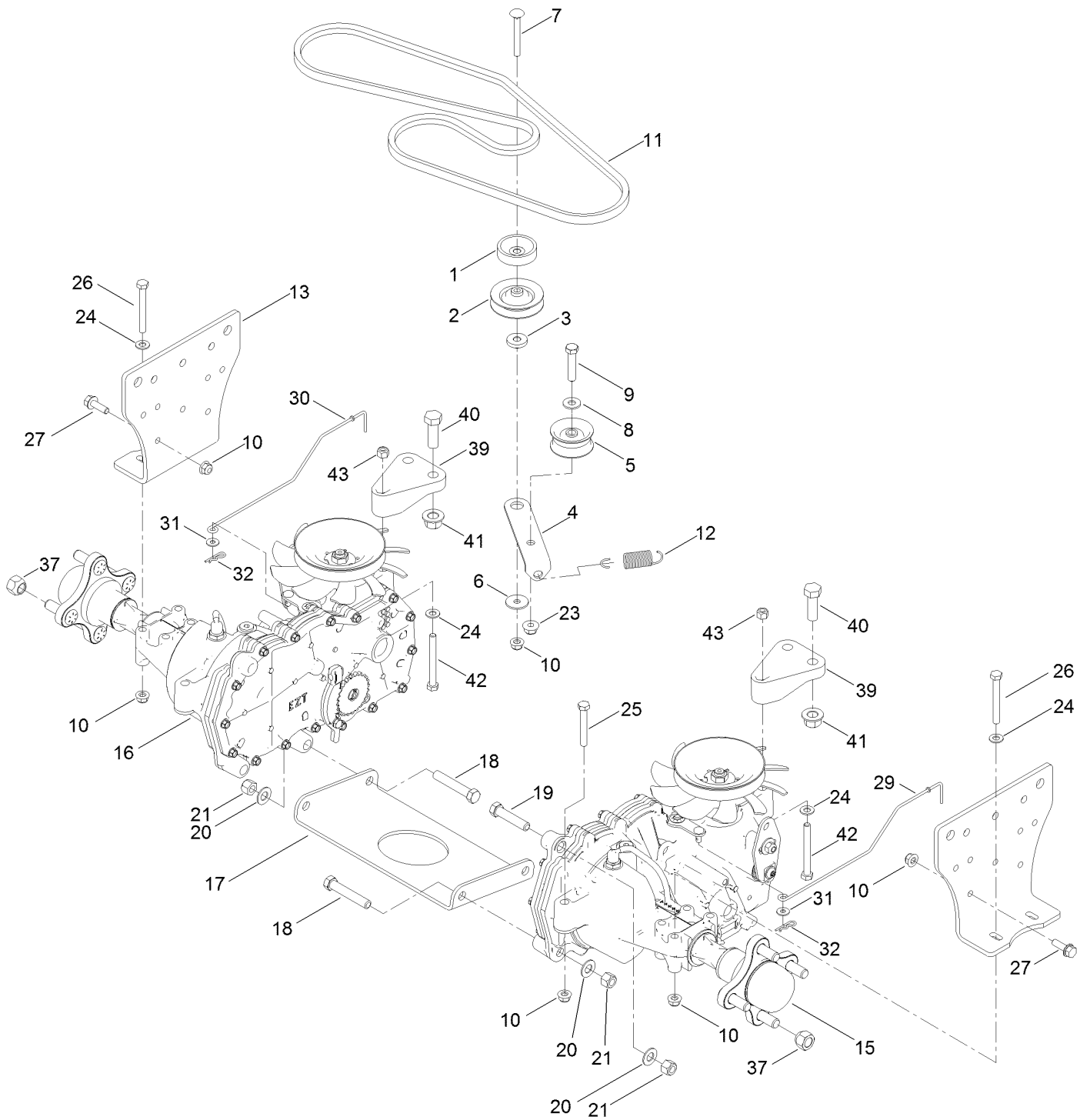


## Caster, Wheel and Tire Assembly (continued)

<i>Ref.</i>	<i>Part Number</i>	<i>Qty.</i>	<i>Description</i>	<i>Ref.</i>	<i>Part Number</i>	<i>Qty.</i>	<i>Description</i>
1	133-4375-01	2	Fork ASM	4	126-5389	2	Screw-HHF
2	133-4427	2	Tire And Wheel ASM	5	99-5107	2	Nut-Lock
2:2	125-5581	1	Tire	7	3256-68	2	Washer-Flat
2:3	232-27	1	Stem-Valve	8	3234-47	2	Screw-HHF
2:4	136-4190	2	Bearing	11	133-7088	4	Guard-Seal
2:99	232-46	1	Tube-Inner ●	12	136-5590	4	Washer
3	133-4487	2	Spanner-Wheel				

● Not illustrated

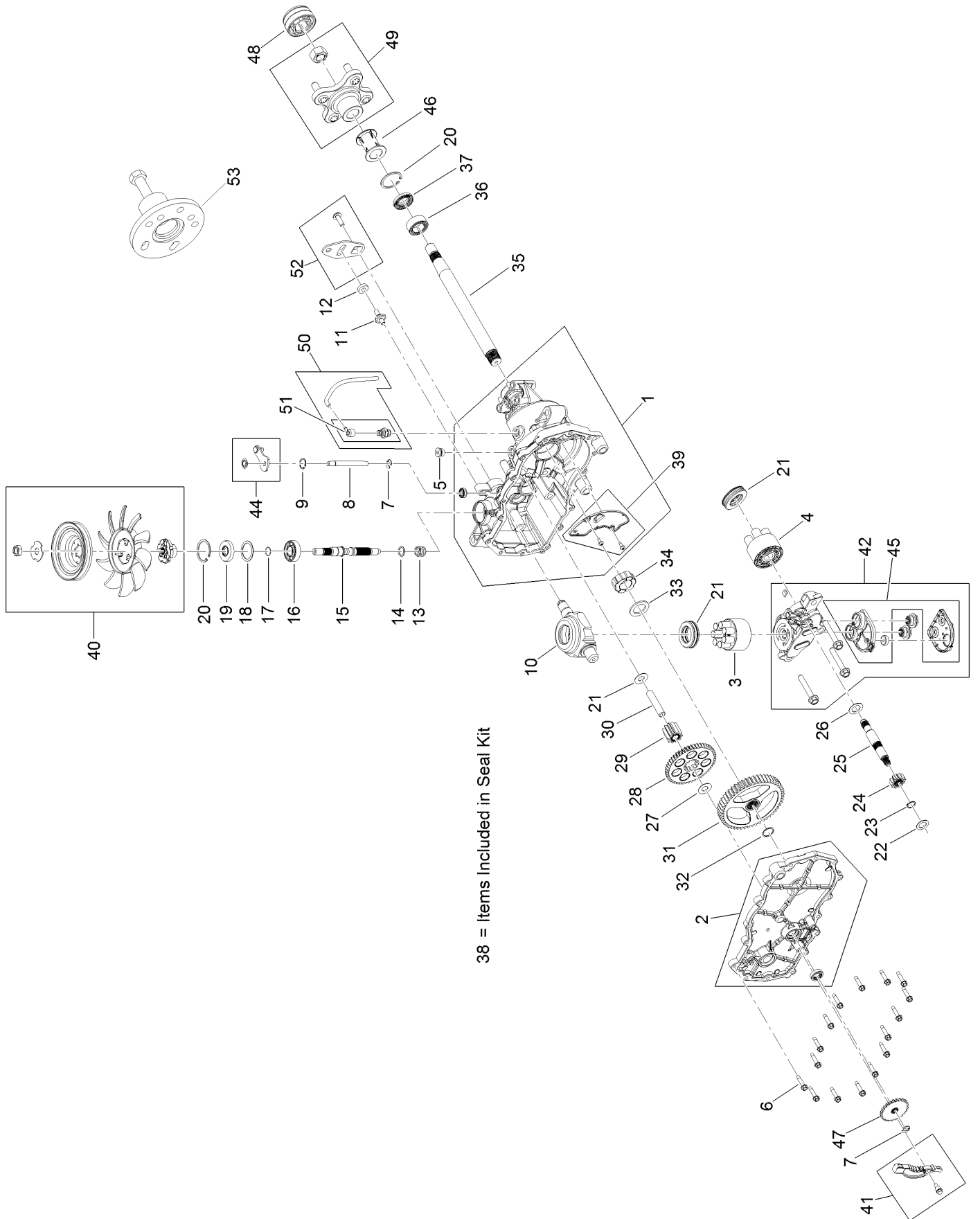
# Hydro Transaxle Drive and Rear Wheel Assembly



# Hydro Transaxle Drive and Rear Wheel Assembly (continued)

<i>Ref.</i>	<i>Part Number</i>	<i>Qty.</i>	<i>Description</i>	<i>Ref.</i>	<i>Part Number</i>	<i>Qty.</i>	<i>Description</i>
1	119-3353	1	Spacer	19	324-8	2	Screw-HH
2	119-8822	1	Pulley-Idler	20	3256-25	6	Washer-Flat
3	119-3327	1	Spacer-Arm, Idler	21	3296-48	6	Nut-Lock, NI
4	137-1987	1	Arm-Idler	23	104-8301	1	Nut-HF, NI
5	131-5988	1	Pulley-Idler, Flat	24	3256-23	6	Washer-Plain
6	5-4460	1	Washer-Pivot	25	322-11	2	Screw-HH
7	3230-8	1	Screw-CARR	26	322-13	4	Screw-HH
8	80-6990	1	Washer-Hardened	27	3234-29	8	Screw-HHF
9	323-9	1	Screw-HH	29	137-5018	1	Rod-Bypass, LH
10	104-8300	17	Nut-HF, NI	30	137-5017	1	Rod-Bypass, RH
11	130-6976	1	V-Belt	31	119-8952	2	Washer
12	137-7024	1	Spring	32	3290-307	2	Pin-Cotter
13	133-1201-03	2	Mount-Hydro	37	242-50	8	Nut-Lug
15	131-3640	1	LH Hydro Transmission ASM	39	133-1247	2	Support-Hydro, Rear
16	131-3641	1	RH Hydro Transmission ASM	40	325-6	4	Screw-HH
17	119-3342-03	1	Plate-Cross, Hydro	41	99-5107	4	Nut-Lock
18	324-10	4	Screw-HH	42	322-14	2	Screw-HH
				43	3296-29	2	Nut-Lock, NI

# LH Transaxle Assembly No. 131-3640



38 = Items Included in Seal Kit

## LH Transaxle Assembly No. 131-3640 (continued)

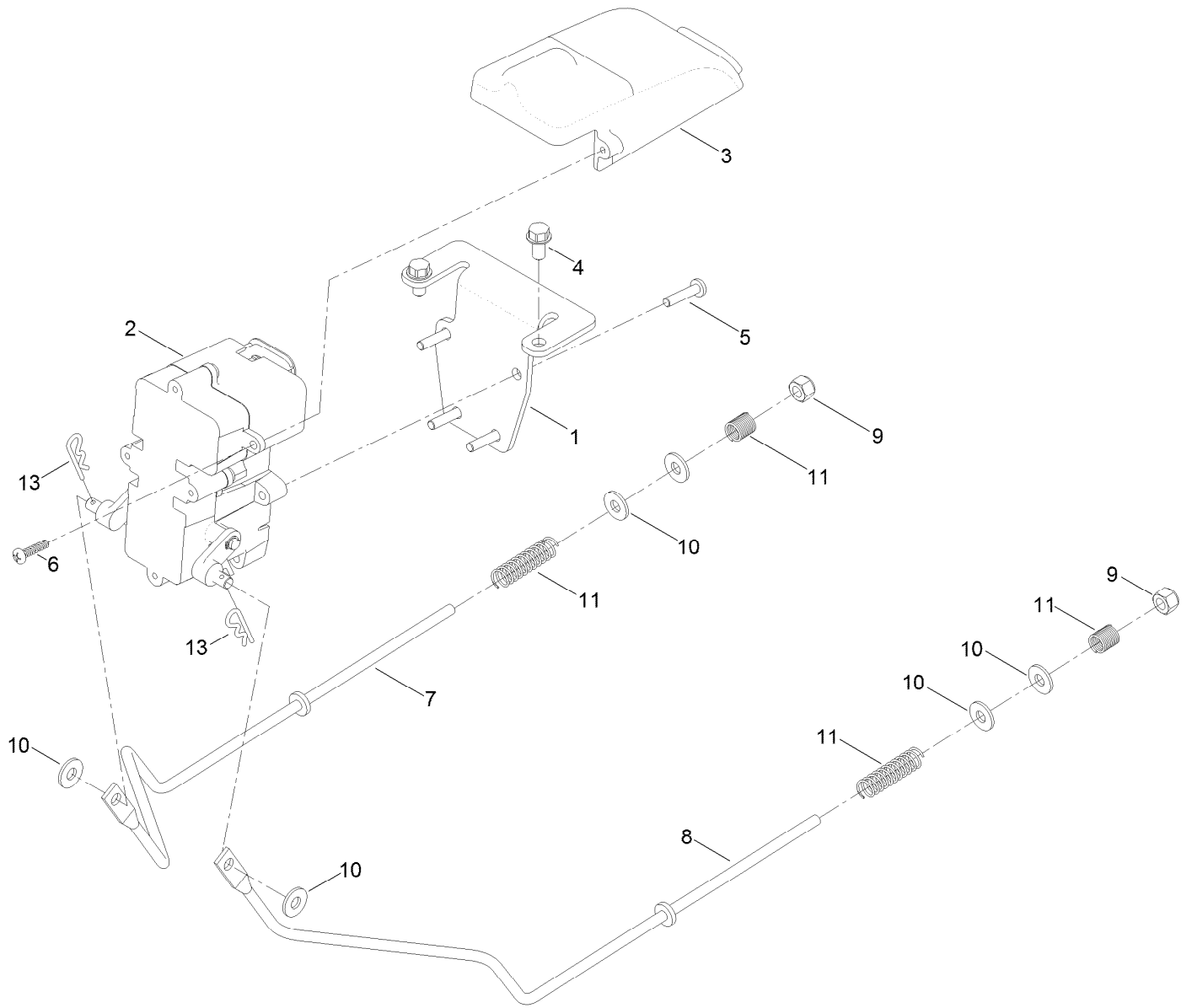
<i>Ref.</i>	<i>Part Number</i>	<i>Qty.</i>	<i>Description</i>	<i>Ref.</i>	<i>Part Number</i>	<i>Qty.</i>	<i>Description</i>
1	106-8695	1	Main Housing ASM	27	94-1933	2	Washer
2	106-8696	1	Side ASM	28	132-0911	1	Gear-49T
3	110-8561	1	Pump Block ASM	29	104-5318	1	Gear-Jackshaft, 10T
4	103-2666	1	Cylinder Block Kit	30	104-5329	1	Pin-Jackshaft
5	104-2189	1	Plug-Thread, Straight	31	112-9854	1	Ring-Spiral, Retaining
6	117-5359	16	Screw-HHF	32	112-9855	1	Gear-52T, Bull
7	106-8677	2	Ring-Retaining, External	33	112-9856	1	Washer
8	106-8678	1	Rod-Bypass	34	112-9857	1	Bearing-Sleeve
9	106-8679	1	Ring-Retaining, Internal	35	120-7104	1	Shaft-Axle
10	104-5304	1	Swashplate-Trunnion	36	112-9859	1	Bushing-Axle
11	104-2116	1	Stud	37	112-9860	1	Seal-Lip
12	112-9853	1	Puck-Friction	38	106-8686	1	Seal Kit
13	94-1936	1	Spring-Block	39	106-8697	1	Expansion Plate Kit
14	94-1937	1	Washer-Thrust	40	121-5746	1	Fan Pulley Kit
15	104-5306	1	Shaft-Input	41	106-8688	1	Brake Arm Kit
16	104-5311	1	Bearing-Ball	42	112-9861	1	Center Section Filter Kit
17	104-5307	1	Ring-Retaining	44	120-5549	1	Bypass Kit
18	104-5308	1	Spacer	45	114-1634	1	Filter Kit
19	104-5310	1	Seal-Lip	46	120-7109	1	Tube-Axle
20	104-5309	2	Ring-Retaining	47	106-8694	1	Disc-Brake, Cog
21	94-6922	2	Bearing-Thrust	48	115-5057	1	Cover-Nut, Axle
22	104-5339	1	Washer-Flat	49	109-5939	1	Hub Kit
23	104-5340	1	Ring-Retaining	50	112-9866	1	Breather Kit
24	132-0912	1	Gear-12T	51	114-1635	1	Breather ASM
25	106-8683	1	Shaft-Motor	52	117-5362	1	Control Arm Kit
26	104-5360	1	Washer	53	114-8467	1	Puller-Hub, 4 Bolt



## RH Transaxle Assembly No. 131-3641 (continued)

<i>Ref.</i>	<i>Part Number</i>	<i>Qty.</i>	<i>Description</i>	<i>Ref.</i>	<i>Part Number</i>	<i>Qty.</i>	<i>Description</i>
1	106-8674	1	Main Housing ASM	27	94-1933	2	Washer
2	106-8675	1	Side ASM	28	132-0911	1	Gear-49T
3	110-8561	1	Pump Block ASM	29	104-5318	1	Gear-Jackshaft, 10T
4	103-2666	1	Cylinder Block Kit	30	104-5329	1	Pin-Jackshaft
5	104-2189	1	Plug-Thread, Straight	31	112-9854	1	Ring-Spiral, Retaining
6	117-5359	16	Screw-HHF	32	112-9855	1	Gear-52T, Bull
7	106-8677	2	Ring-Retaining, External	33	112-9856	1	Washer
8	106-8678	1	Rod-Bypass	34	112-9857	1	Bearing-Sleeve
9	106-8679	1	Ring-Retaining, Internal	35	120-7104	1	Shaft-Axle
10	104-5304	1	Swashplate-Trunnion	36	112-9859	1	Bushing-Axle
11	104-2116	1	Stud	37	112-9860	1	Seal-Lip
12	112-9853	1	Puck-Friction	38	106-8686	1	Seal Kit
13	94-1936	1	Spring-Block	39	106-8687	1	Expansion Plate Kit
14	94-1937	1	Washer-Thrust	40	121-5746	1	Fan Pulley Kit
15	104-5306	1	Shaft-Input	41	106-8688	1	Brake Arm Kit
16	104-5311	1	Bearing-Ball	42	112-9862	1	Center Section Filter Kit
17	104-5307	1	Ring-Retaining	44	107-2489	1	Bypass Arm Kit
18	104-5308	1	Spacer	45	114-1634	1	Filter Kit
19	104-5310	1	Seal-Lip	46	120-7109	1	Tube-Axle
20	104-5309	2	Ring-Retaining	47	106-8694	1	Disc-Brake, Cog
21	94-6922	2	Bearing-Thrust	48	115-5057	1	Cover-Nut, Axle
22	104-5339	1	Washer-Flat	49	109-5939	1	Hub Kit
23	104-5340	1	Ring-Retaining	50	112-9866	1	Breather Kit
24	132-0912	1	Gear-12T	51	114-1635	1	Breather ASM
25	106-8683	1	Shaft-Motor	52	117-5362	1	Control Arm Kit
26	104-5360	1	Washer	53	114-8467	1	Puller-Hub, 4 Bolt

# Brake Assembly

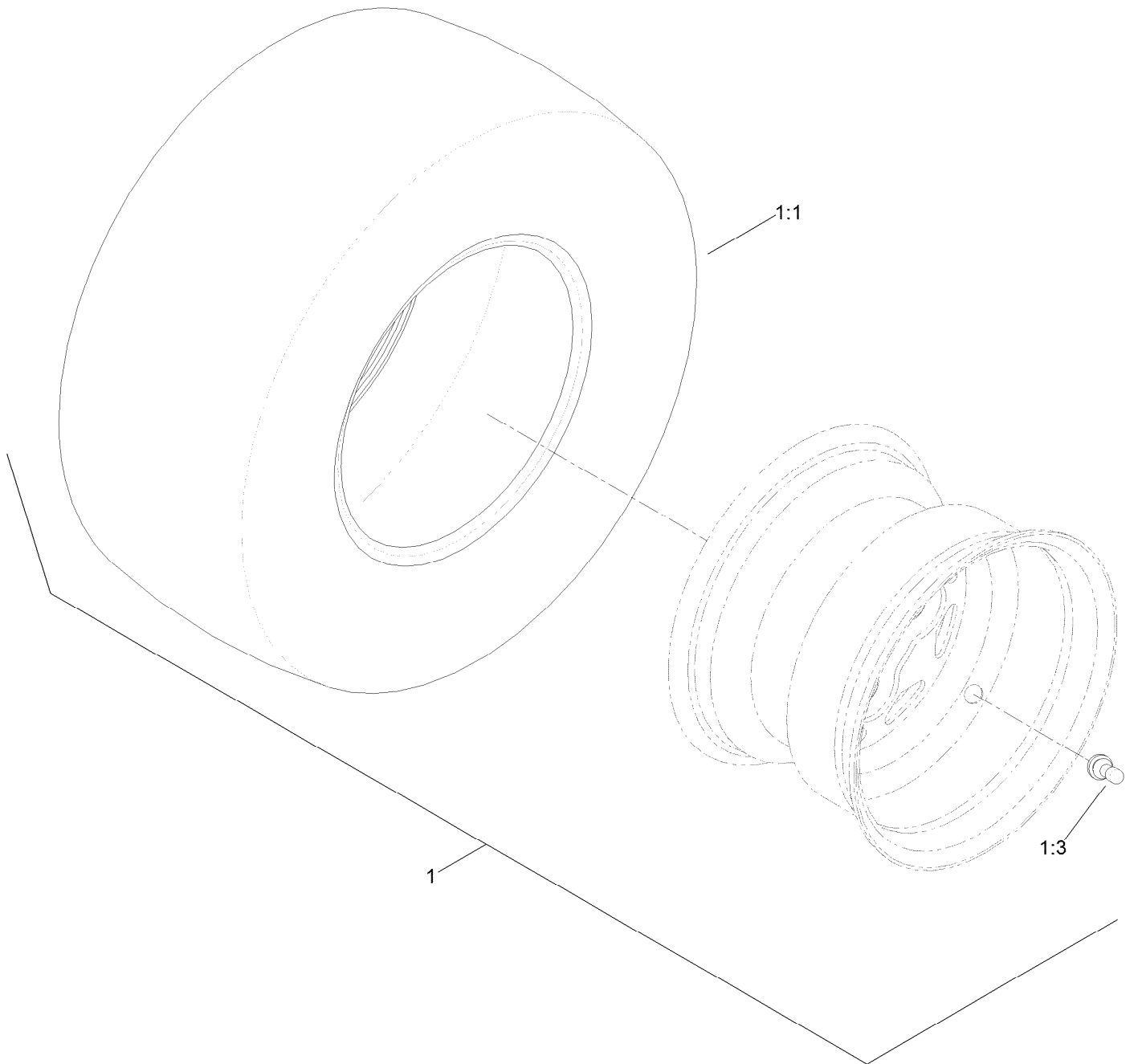




## Brake Assembly (continued)

<i>Ref.</i>	<i>Part Number</i>	<i>Qty.</i>	<i>Description</i>	<i>Ref.</i>	<i>Part Number</i>	<i>Qty.</i>	<i>Description</i>
1	130-0790-03	1	Bracket-Mount, Brake	7	121-2976	1	Rod-Brake, Wide (RH)
2	136-4213	1	Brake Box ASM	8	121-2977	1	Rod-Brake, Wide (LH)
3	132-6949	1	Cover-Connector	9	3296-42	2	Nut-Lock, NI
4	32144-4	2	Screw-HWH	10	119-8952	6	Washer
5	32144-36	4	Screw-PPH	11	117-1169	4	Spring-Compression
6	94-4496	2	Screw-PPH	13	3290-307	2	Pin-Cotter

# Rear Tire Assembly

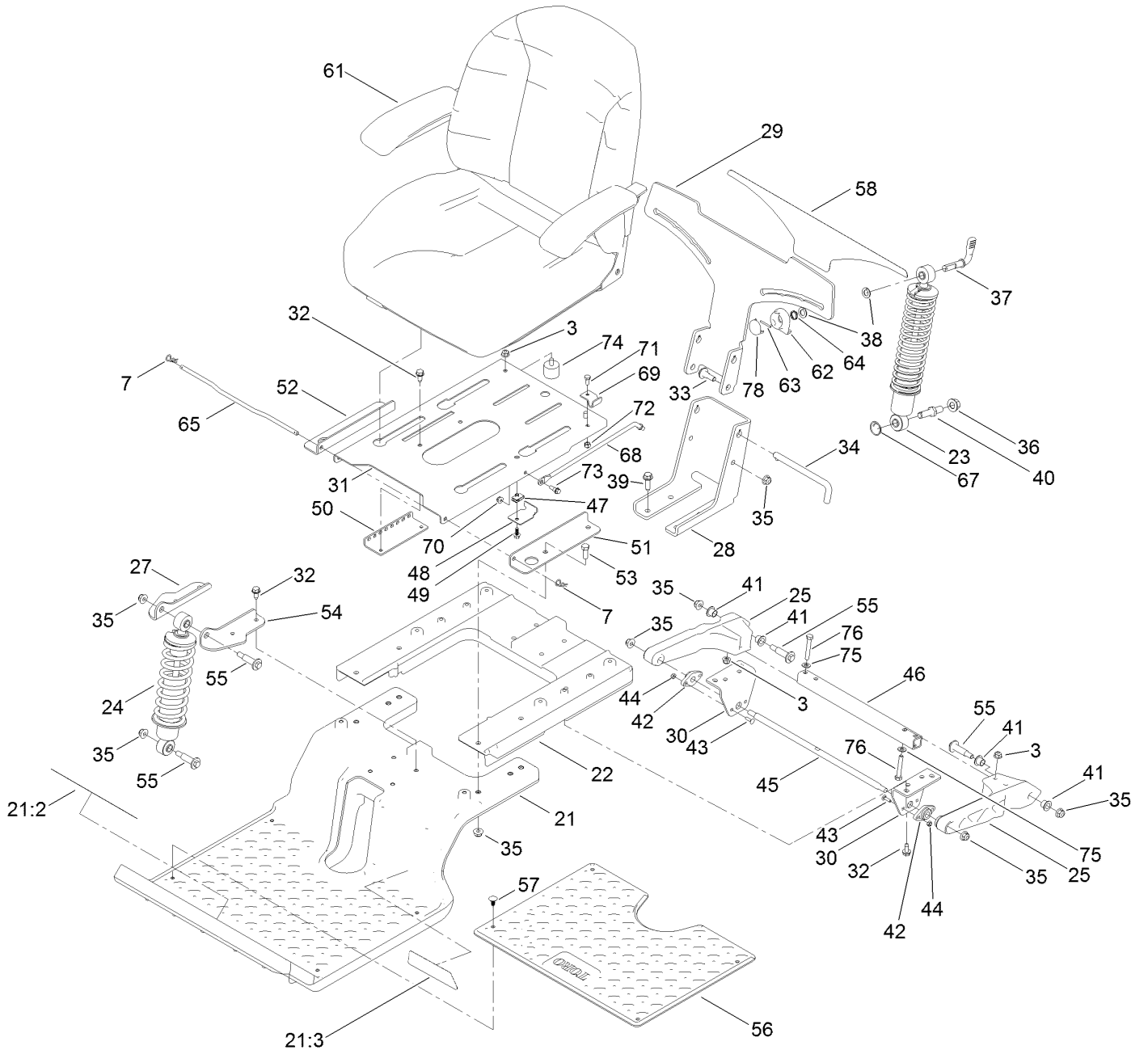


## Rear Tire Assembly (continued)

<i>Ref.</i>	<i>Part Number</i>	<i>Qty.</i>	<i>Description</i>	<i>Ref.</i>	<i>Part Number</i>	<i>Qty.</i>	<i>Description</i>
1	133-9278	2	Tire And Wheel ASM	1:3	232-27	1	Stem-Valve
1:1	133-9293	1	Tire	1:99	105-4070	1	Tube-Inner ●

● Not illustrated

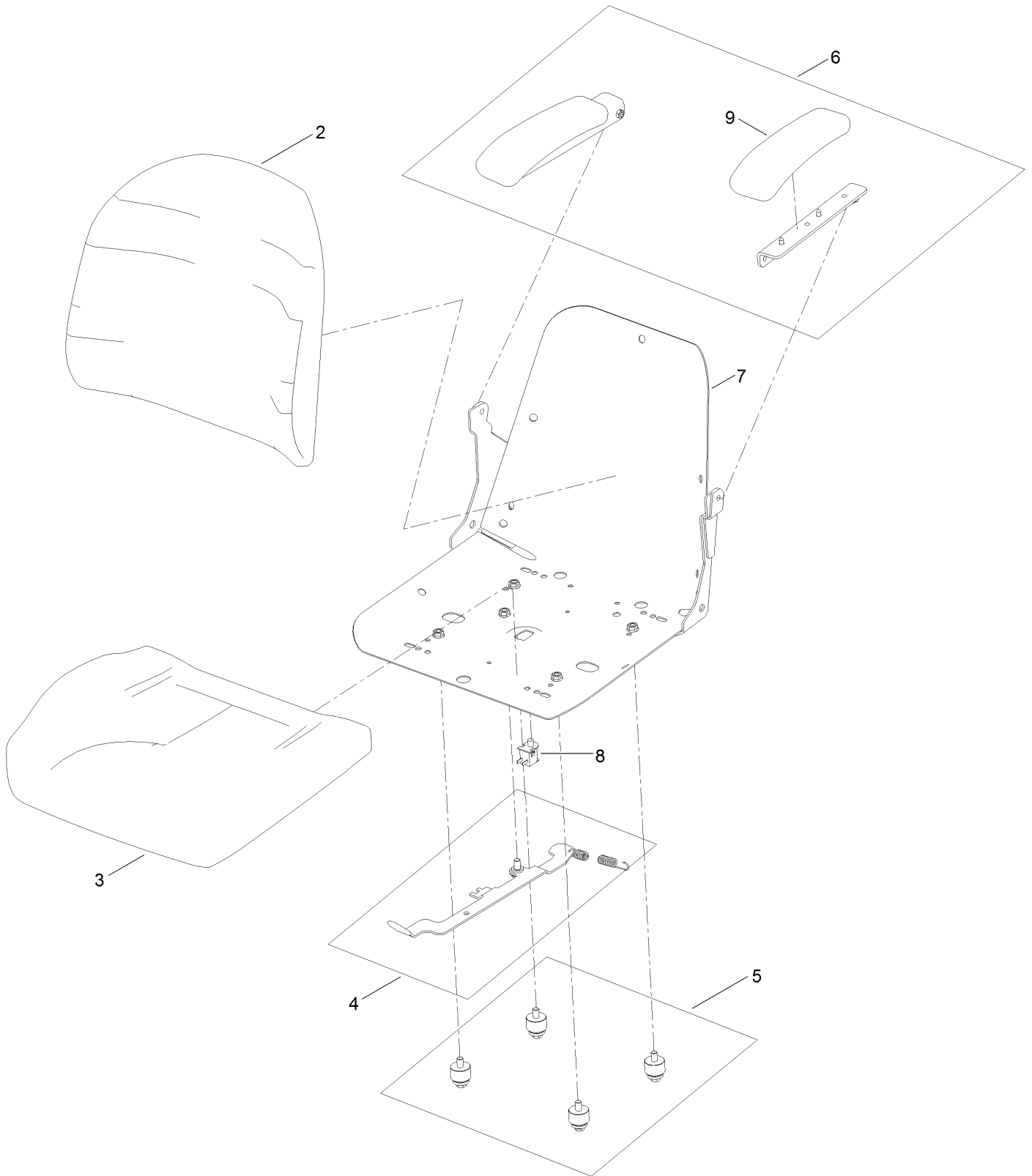
# Seat Pan Assembly



## Seat Pan Assembly (continued)

<i>Ref.</i>	<i>Part Number</i>	<i>Qty.</i>	<i>Description</i>	<i>Ref.</i>	<i>Part Number</i>	<i>Qty.</i>	<i>Description</i>
3	104-8300	6	Nut-HF, NI	47	107069	1	Clip
7	3290-250	2	Pin-Cotter	48	131-1038	1	Bracket-Stop, Seat
21	136-9191	1	Subframe-Front	49	99-6810	1	Screw-HHF
21:2	132-0869	1	Decal-Danger	50	131-4008-03	1	Bracket-Latch, Seat
21:3	136-7470	1	Decal	51	133-9327-03	1	Bracket-Seat, RH
22	137-7031	1	Subframe-Rear	52	133-9324-03	1	Bracket-Seat, LH
23	133-5154	2	Shock/Spring ASM	53	323-6	4	Screw-HH
24	131-4651	1	Shock ASM	54	133-9318-03	1	Bracket-Shock Mount, Upper (LH)
25	136-8979	2	Trailing Arm	55	136-7198	4	Bolt-Shoulder
27	133-9319-03	1	Bracket-Shock Mount, Upper (RH)	56	133-5190	1	Floormat
28	136-7464-03	1	Bracket-Mount, Lower	57	117-2382	4	Plug-Plastic
29	137-1980-03	1	Plate-Mounting, Shock	58	137-7044	1	Decal-Adjustment
30	137-1967-03	2	Bracket-Mount, Swing Arm	61	138-2556	1	Seat ASM
31	133-9326-03	1	Pan-Seat	62	137-2030	2	Lock-Cam
32	32144-70	10	Screw-HWHTF	63	137-5015	2	Pin-Lock, Cam
33	109-9840	2	Screw-Shoulder, HHF	64	137-5011	2	Spring-Wave
34	136-5595	1	Pin-HOC	65	137-2044	1	Rod-Stop
35	104-8301	12	Nut-HF, NI	67	120-7127	2	Pin-Cotter, Circular
36	99-5107	2	Nut-Lock	68	137-5037	1	Brace-Seat
37	137-1982	2	Handle-Adjustment	69	137-7030-03	1	Bracket-Brace, Seat
38	110-7191	4	Washer-Thrust	70	104-7201	1	Nut-HF
39	32144-109	4	Screw-Thd Form HWH	71	321-3	1	Screw-HH
40	137-2003	2	Bolt-Shoulder	72	3296-42	1	Nut-Lock, NI
41	125-5239	4	Bushing-Flange	73	119-4161	1	Bolt-Shoulder
42	127-0146	2	Bearing-Flange	74	137-4803	2	Bumper-Rubber
43	3229-20	4	Screw-CARR	75	3256-23	4	Washer-Plain
44	3296-2	4	Nut-Lock, NI	76	322-10	4	Screw-HH
45	137-1968	1	Rod-Pivot	78	137-5078	2	Cap-Cam Lock
46	137-1969-03	1	Tube-Arm, Trailing				

# Seat Assembly No. 138-2556



## Seat Assembly No. 138-2556 (continued)

<i>Ref.</i>	<i>Part Number</i>	<i>Qty.</i>	<i>Description</i>
2	138-2576	1	Seat Back ASM
3	138-2577	1	Seat Cushion ASM
4	131-4153	1	Track ASM
5	131-4154	1	Bushing ASM

<i>Ref.</i>	<i>Part Number</i>	<i>Qty.</i>	<i>Description</i>
6	131-4155	1	Armrest Kit
7	131-4156	1	Shell
8	82-2190	1	Switch-Bail
9	110-4163	2	Cushion-Rest, Arm

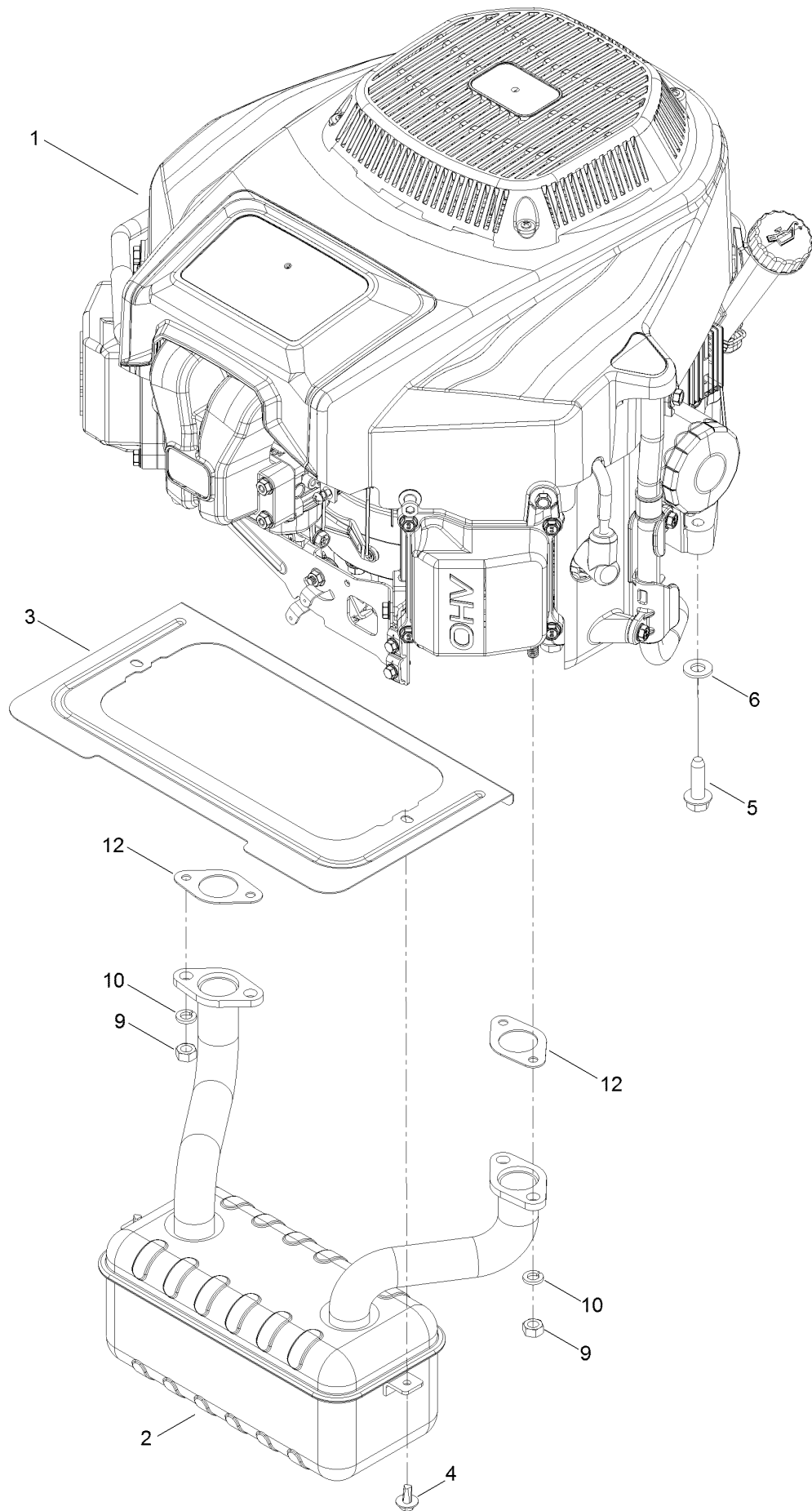




## Motion Control Assembly (continued)

<i>Ref.</i>	<i>Part Number</i>	<i>Qty.</i>	<i>Description</i>	<i>Ref.</i>	<i>Part Number</i>	<i>Qty.</i>	<i>Description</i>
2	119-3470	2	Actuator Arm ASM	21	323-6	4	Screw-HH
2:2	256-156	2	Bushing-Flange	22	117-5385	2	Retainer
3	120-2273	2	Washer-Nylon	23	32144-70	2	Screw-HWHTF
4	133-9299-05	2	Arm-Control	24	32144-1	4	Screw-Taptite
5	133-7055	1	Handle-Control, LH	25	117-5388	2	Rod-Hydro
5:1	121-0726	1	Grip	26	119-8842	2	Mount-Rod, Hydro
6	133-7057	1	Handle-Control, RH	27	3256-23	2	Washer-Plain
6:1	121-0726	1	Grip	28	1-603807	2	Spring-Return, Neutral
8	115-5099	2	Bolt-Pivot	29	121-1753	2	Pin-Rod, Hydro
9	104-8301	5	Nut-HF, NI	30	93-6079	2	Spacer-Nylon
10	117-1240	2	Washer	31	321-3	2	Screw-HH
11	119-8925	2	Washer-Belleville	32	3296-56	2	Nut-Lock, NI
12	117-1198	2	Bolt-Pivot	33	132-9368	1	Knob-RH
13	3234-47	8	Screw-HHF	34	132-9369	1	Knob-LH
14	104-8300	12	Nut-HF, NI	35	94-4496	1	Screw-PPH
15	119-8952	2	Washer	36	119-8876	2	Spring-Return
16	120-7950	2	Screw-Shoulder	38	136-5614-03	1	Box-Control, LH
17	131-4132	2	Damper	39	137-5049-03	1	Control Box ASM
18	110-6810	2	Stud-Damper	40	137-5009	1	Speed Control ASM
19	3296-42	4	Nut-Lock, NI	41	137-5008-03	1	Gate-Control, Speed
20	3256-24	4	Washer-Flat	42	323-5	1	Screw-HH

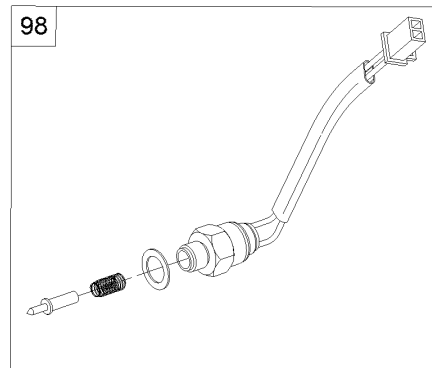
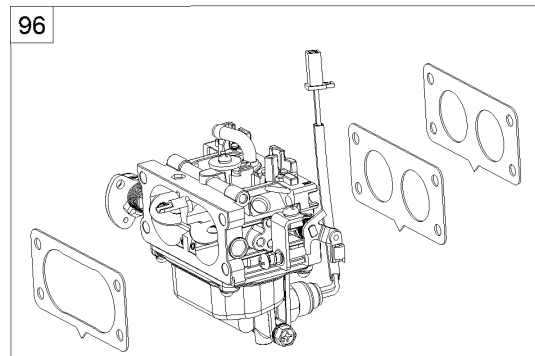
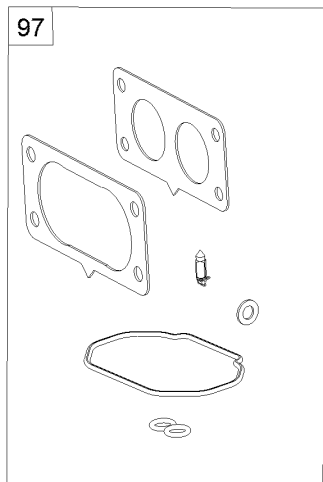
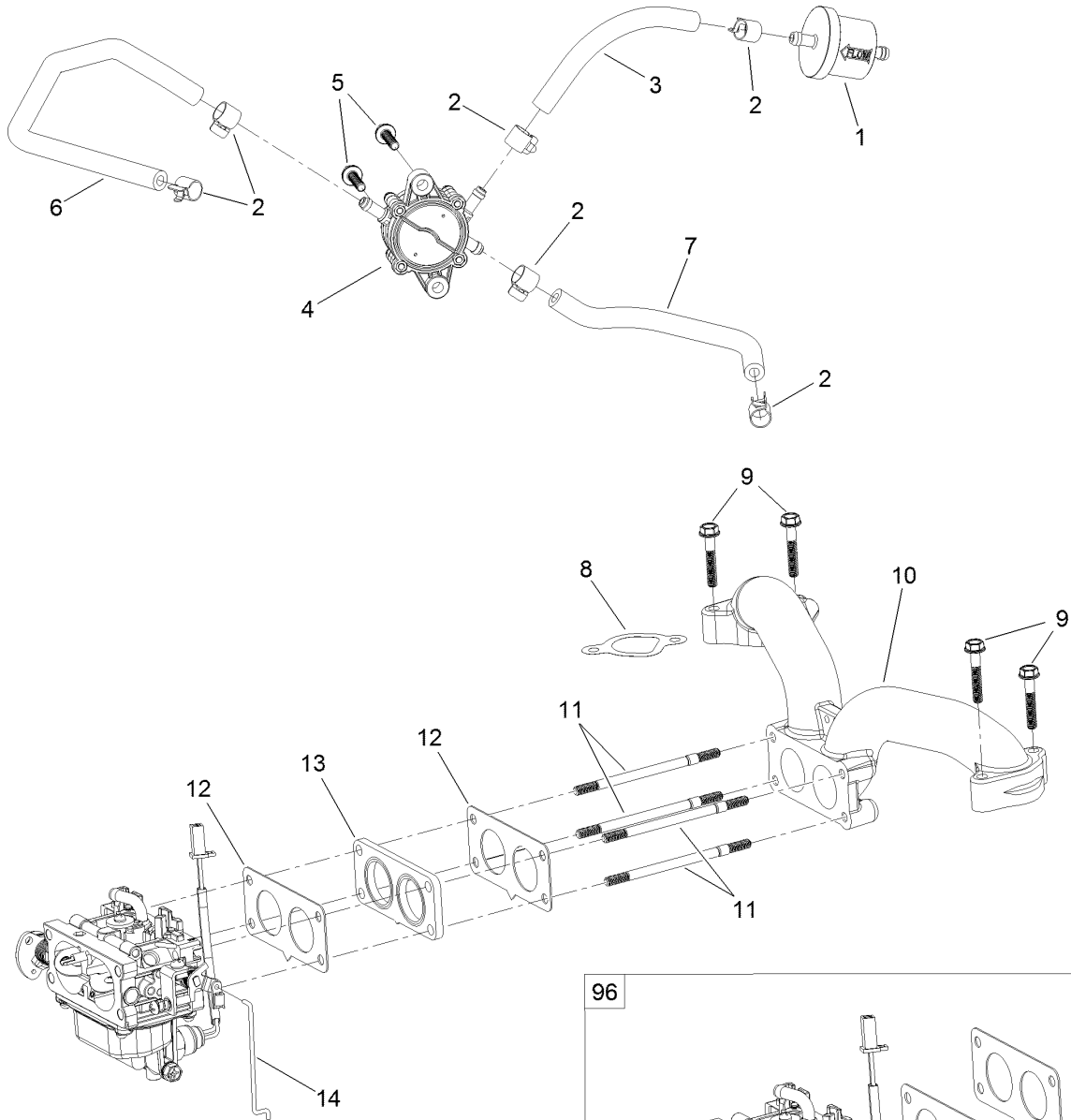
# Engine Assembly



## Engine Assembly (continued)

<i>Ref.</i>	<i>Part Number</i>	<i>Qty.</i>	<i>Description</i>	<i>Ref.</i>	<i>Part Number</i>	<i>Qty.</i>	<i>Description</i>
1	127-9041	1	Engine-2P77F	6	3256-24	3	Washer-Flat
2	130-6851	1	Muffler	9	121-0199	4	Nut-HH
3	131-1071-03	1	Shield-Heat	10	127-9279	4	Washer-Lock, Split
4	46-8560	2	Screw-HHFTF	12	120-4317	2	Gasket-Exhaust
5	32144-109	4	Screw-Thd Form HWH				

# Fuel System Assembly

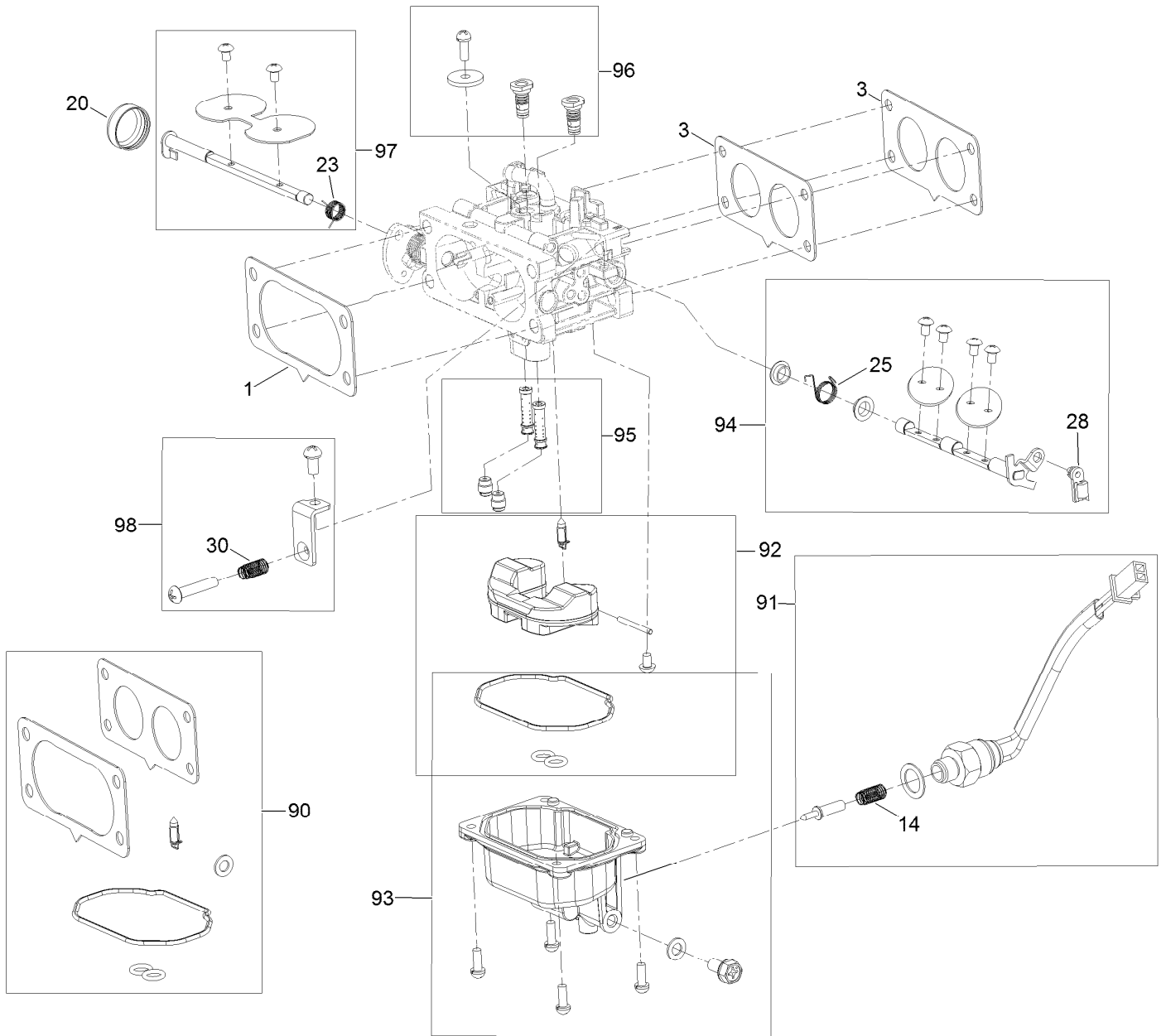


## Fuel System Assembly (continued)

<i>Ref.</i>	<i>Part Number</i>	<i>Qty.</i>	<i>Description</i>	<i>Ref.</i>	<i>Part Number</i>	<i>Qty.</i>	<i>Description</i>
1	133-1563	1	Filter-Fuel	10	127-9244	1	Manifold-Intake
2	120-4251	6	Clamp-Fuel Line	11	127-9245	4	Stud
3	120-4371	1	Line-Fuel	12	127-9246	2	Gasket-Carburetor
4	127-9206	1	Pump-Fuel	13	127-9247	1	Insulator-Carburetor
5	120-4225	2	Screw-HHF	14	127-9248	1	Linkage-Throttle
6	127-9205	1	Hose-Fuel	96	127-9289	1	Carburetor Replacement Kit
7	127-9207	1	Hose-Fuel	97	127-9290	1	Carburetor Repair Kit
8	127-9230	2	Gasket-Intake	98	127-9292	1	Solenoid Kit
9	120-4284	4	Screw-HHF	99	127-9303	1	High Altitude Kit ●

● Not illustrated

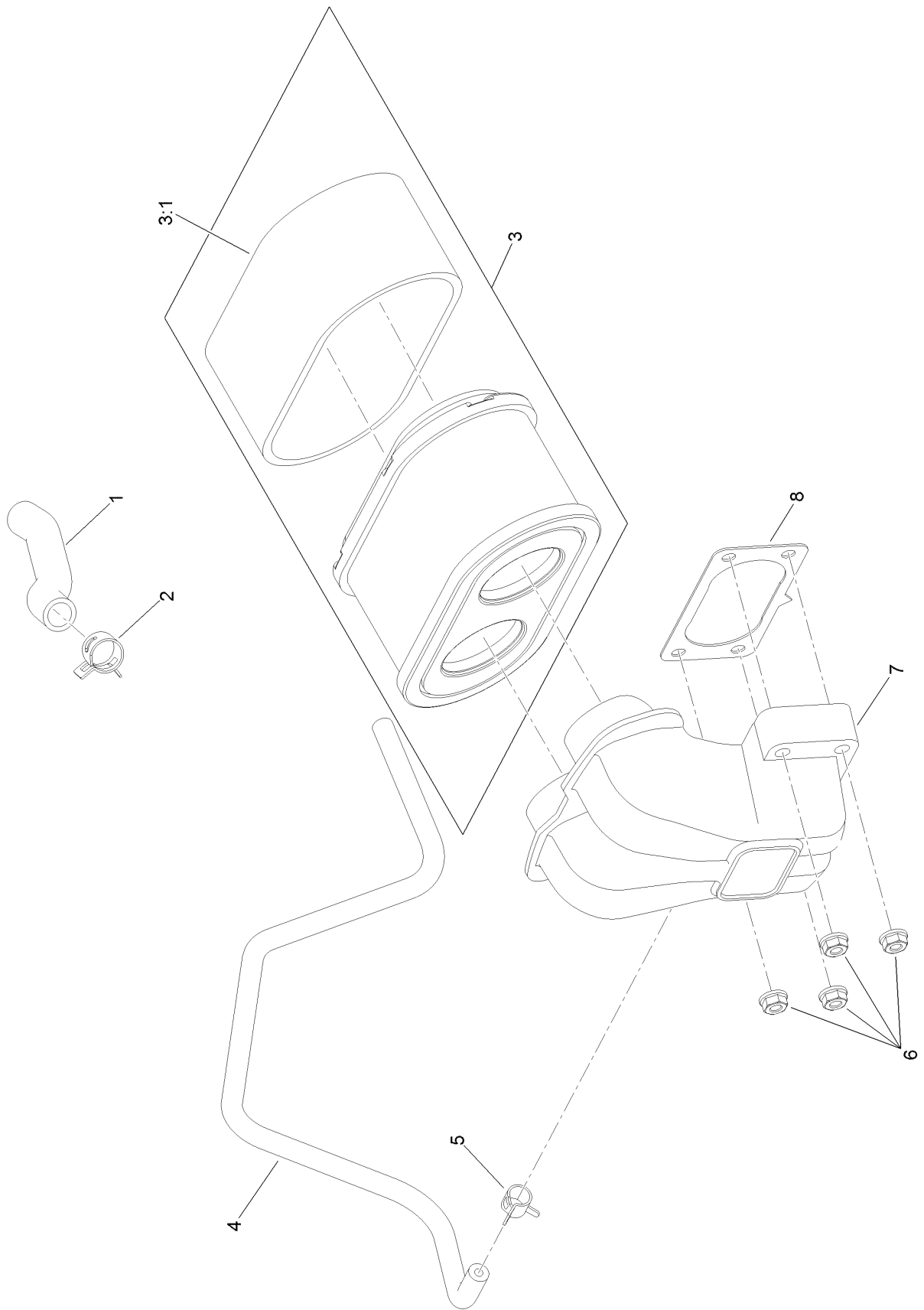
# Carburetor Assembly



## Carburetor Assembly (continued)

<i>Ref.</i>	<i>Part Number</i>	<i>Qty.</i>	<i>Description</i>	<i>Ref.</i>	<i>Part Number</i>	<i>Qty.</i>	<i>Description</i>
1	127-9251	1	Gasket-Carburetor	91	127-9292	1	Solenoid Kit
3	127-9246	2	Gasket-Carburetor	92	127-9340	1	Float Kit
14	127-9319	1	Spring	93	127-9341	1	Bowl Kit
20	127-9325	1	Cover-Shaft, Choke	94	127-9342	1	Throttle Shaft Kit
23	127-9328	1	Spring	95	127-9343	1	Nozzle And Jet Kit
25	127-9330	1	Spring	96	127-9344	1	Air Jet Kit
28	127-9333	1	Clamp-Lock	97	127-9345	1	Choke Shaft Kit
30	127-9335	1	Spring	98	127-9347	1	Idlestop Kit
90	127-9290	1	Carburetor Repair Kit				

# Air Intake and Filtration Assembly

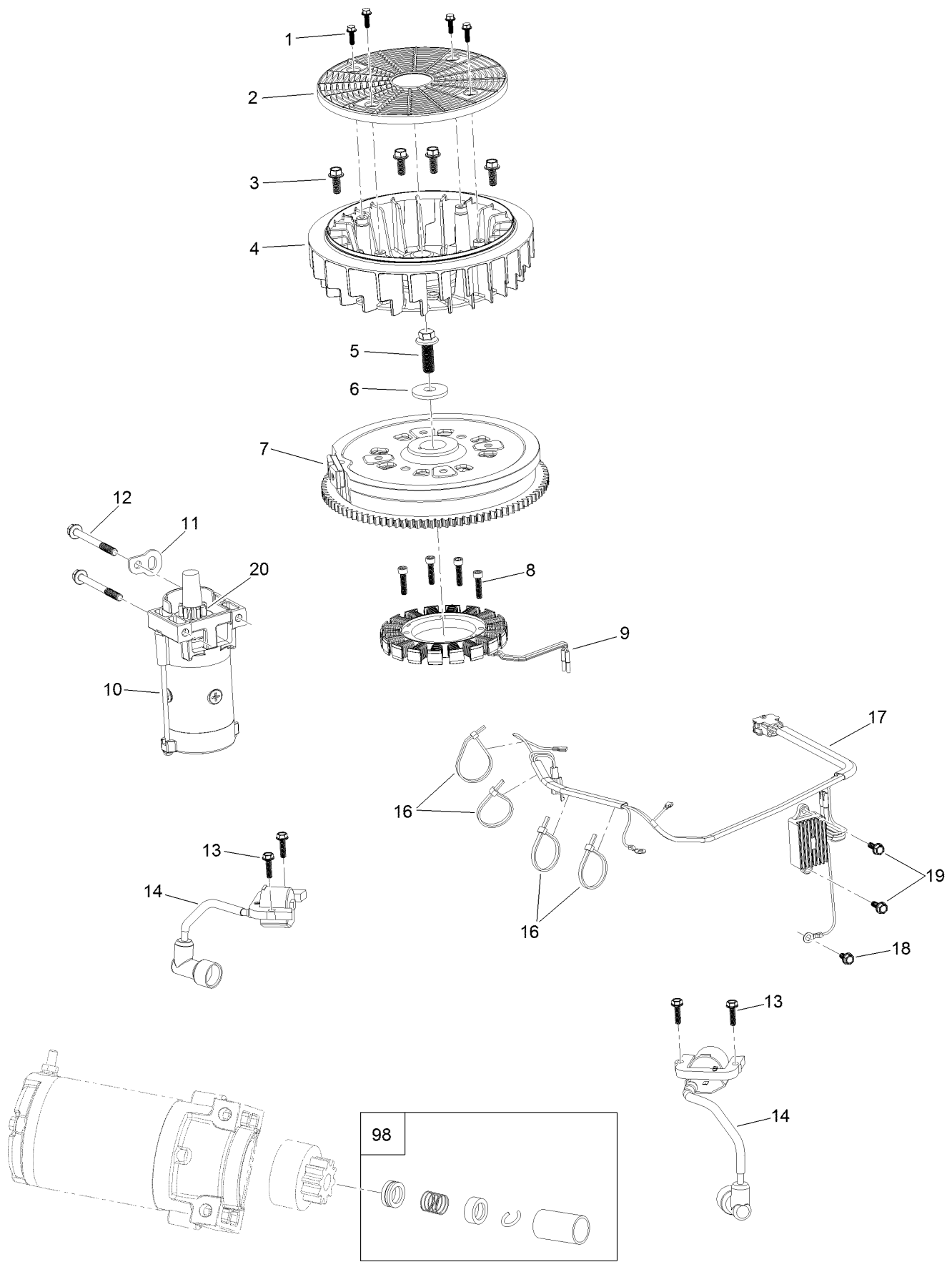




## Air Intake and Filtration Assembly (continued)

<i>Ref.</i>	<i>Part Number</i>	<i>Qty.</i>	<i>Description</i>	<i>Ref.</i>	<i>Part Number</i>	<i>Qty.</i>	<i>Description</i>
1	127-9235	1	Tube-Breather	5	127-9187	1	Clamp-Hose
2	127-9234	2	Clamp-Hose	6	120-4236	4	Nut-Flange
3	127-9252	1	Filter-Air, Complete	7	127-9047	1	Manifold-Filter, Air
3:1	127-9288	1	Filter-Pre, Foam	8	127-9251	1	Gasket-Carburetor
4	127-9253	1	Hose-Fuel				

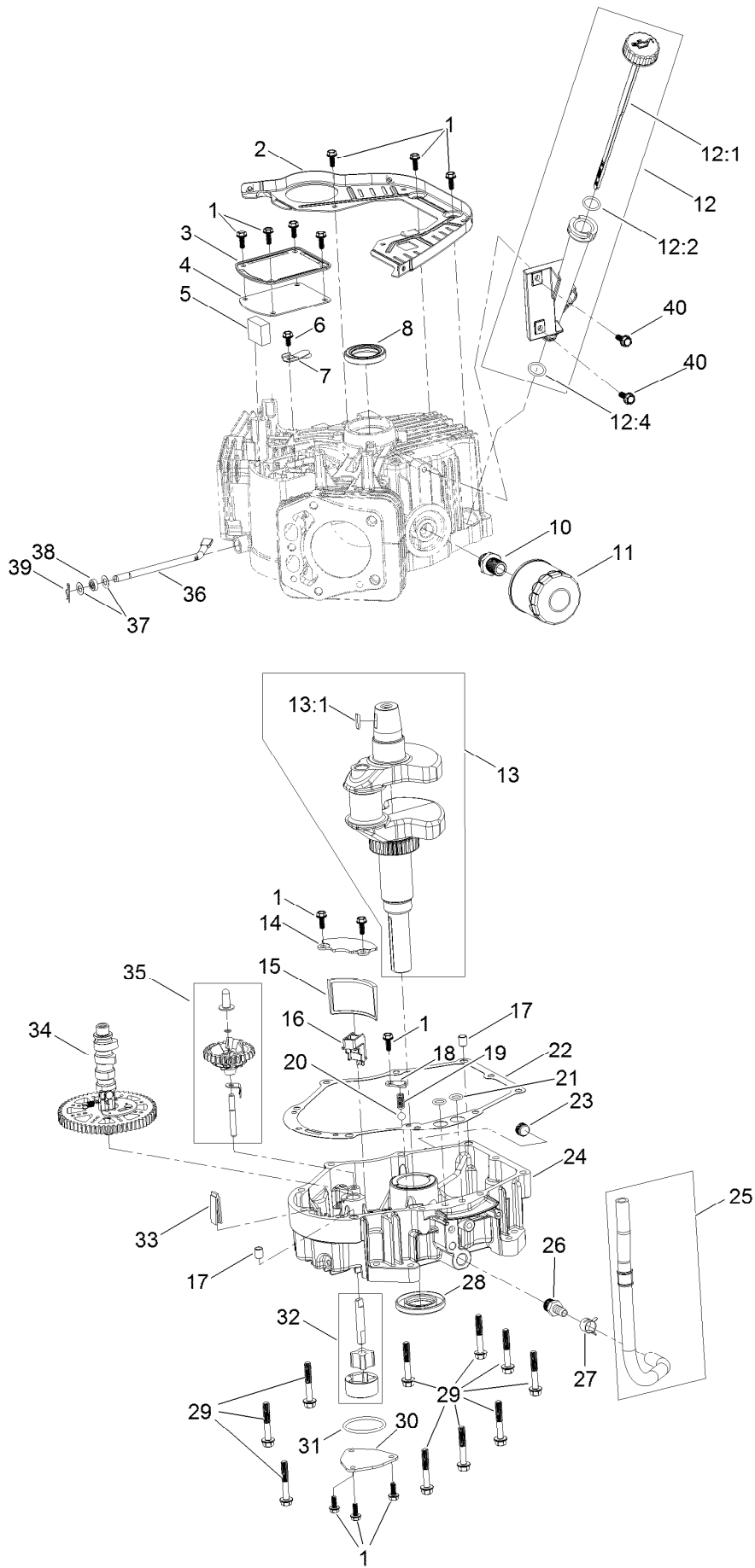
# Ignition and Electrical Assembly



## Ignition and Electrical Assembly (continued)

<i>Ref.</i>	<i>Part Number</i>	<i>Qty.</i>	<i>Description</i>	<i>Ref.</i>	<i>Part Number</i>	<i>Qty.</i>	<i>Description</i>
1	127-9197	4	Screw-HWH	12	120-4231	2	Screw-HHF
2	127-9198	1	Screen-Rotating	13	121-0007	4	Bolt-Flange
3	127-9199	4	Screw-HWH	14	127-9216	2	Ignition Coil ASM
4	127-9200	1	Fan-Cooling	16	127-9220	4	Tie-Zip
5	127-9201	1	Screw-HWH	17	127-9219	1	Regulator-Voltage W/Harness
6	127-9202	1	Washer-Flat	18	120-4216	1	Screw-HHF
7	127-9306	1	Flywheel	19	120-4232	2	Screw-HHF
8	127-9210	4	Screw-HSH	20	133-1562	1	Pinion-Starter
9	127-9211	1	Alternator	98	133-1566	1	Starter Repair Kit
10	133-9828	1	Motor-Starter				
11	127-9208	1	Bracket-Lift				

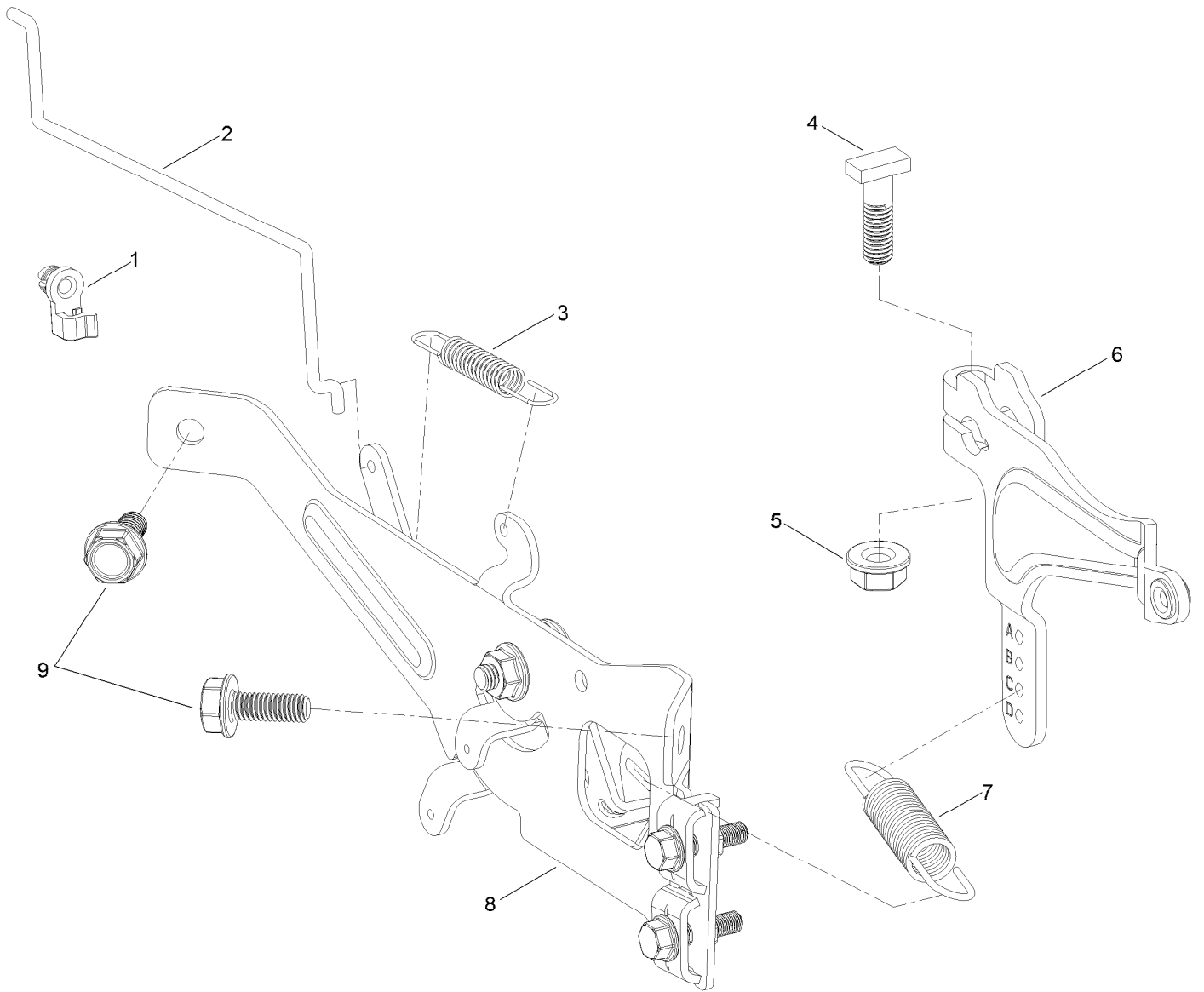
# Crankcase and Crankshaft Assembly



## Crankcase and Crankshaft Assembly (continued)

<i>Ref.</i>	<i>Part Number</i>	<i>Qty.</i>	<i>Description</i>	<i>Ref.</i>	<i>Part Number</i>	<i>Qty.</i>	<i>Description</i>
1	120-4232	14	Screw-HHF	20	127-9266	1	Valve-Ball
2	127-9212	1	Baffle	21	120-4262	2	O-Ring
3	127-9213	1	Cover-Breather	22	127-9267	1	Gasket-Cover, Crankcase
4	127-9214	1	Gasket-Breather	23	133-9805	1	Plug-Drain
5	127-9215	1	Filter-Breather	24	127-9268	1	Cover-Crankcase
6	120-4216	1	Screw-HHF	25	127-9293	1	Oil Drain Hose ASM
7	127-9217	1	Valve-Breather	26	127-9275	1	Fitting-Hose
8	120-4267	1	Seal-Oil	27	127-9276	1	Clamp-Hose
10	120-4346	1	Adaptor-Filter, Oil	28	127-9271	1	Seal
11	120-4276	1	Filter-Oil	29	121-0473	10	Screw-HHF
12	127-9218	1	Oil Tube ASM	30	127-9274	1	Cover-Oil Pump
12:1	127-9283	1	Dipstick	31	127-9273	1	O-Ring
12:2	127-9284	1	O-Ring	32	127-9272	1	Oil Pump ASM
12:4	127-9286	1	O-Ring	33	120-4275	1	Deflector-Oil, Rubber
13	127-9255	1	Crankshaft	34	133-1568	1	Camshaft
13:1	120-4320	1	Key-Woodruff	35	133-9807	1	Governor ASM
14	127-9261	1	Cover-Screen, Oil	36	127-9238	1	Shaft-Governor
15	127-9262	1	Screen-Oil	37	120-4258	2	Washer-Plain
16	127-9263	1	Retainer-Screen	38	120-4257	1	Seal-Oil
17	120-4274	2	Pin-Dowel	39	120-4256	1	Pin-Hair
18	127-9264	1	Plate-Retainer	40	120-4232	2	Screw-HHF
19	127-9265	1	Spring				

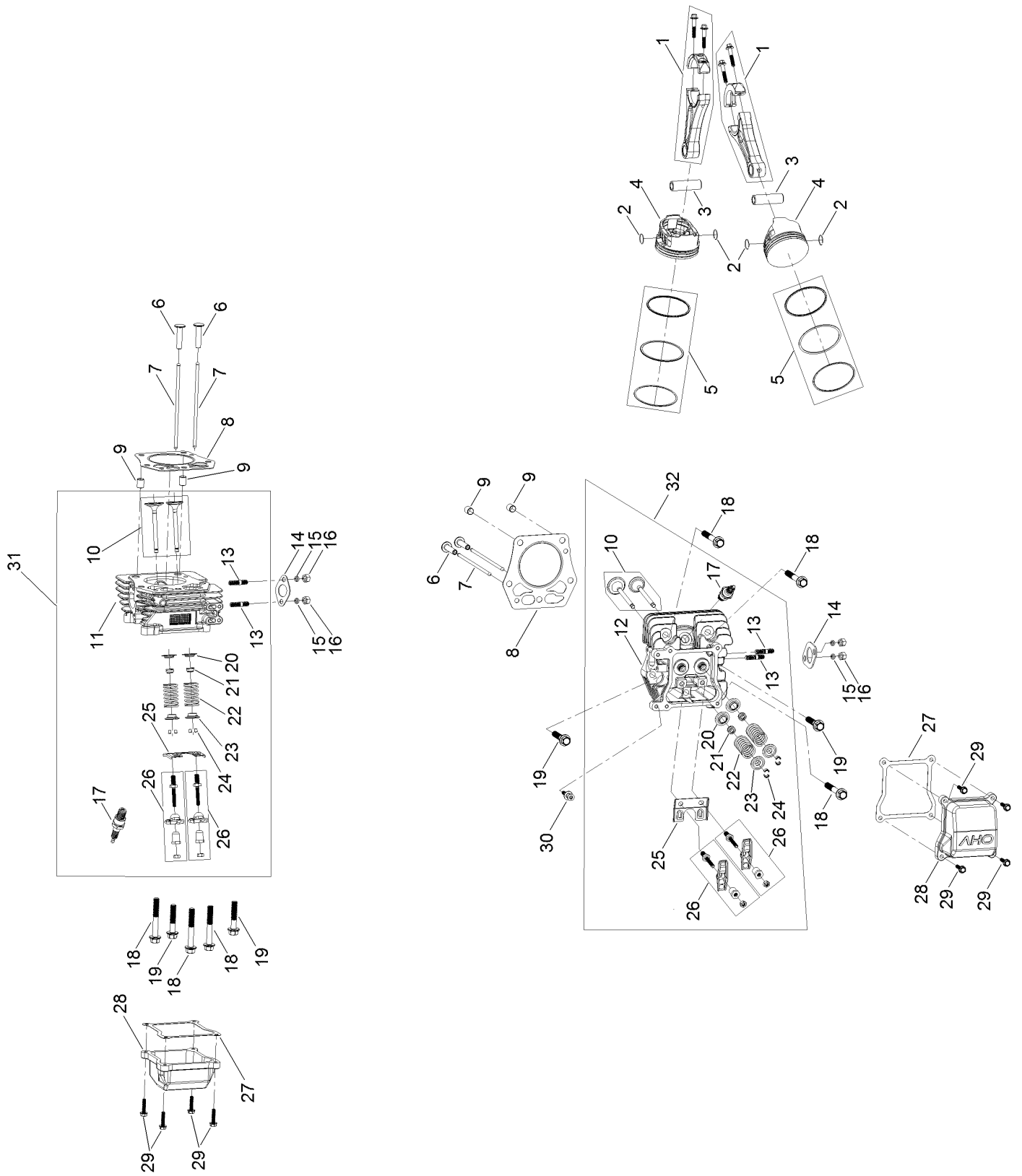
# Governor Control Assembly



## Governor Control Assembly (continued)

<i>Ref.</i>	<i>Part Number</i>	<i>Qty.</i>	<i>Description</i>	<i>Ref.</i>	<i>Part Number</i>	<i>Qty.</i>	<i>Description</i>
1	127-9250	1	Clip-Linkage	6	127-9239	1	Arm-Governor
2	127-9242	1	Linkage-Choke	7	133-9809	1	Spring-Governor
3	127-9241	1	Spring-Governor	8	133-1570	1	Control Plate ASM
4	120-4238	1	Bolt-Arm, Governor	9	120-4232	2	Screw-HHF
5	120-4236	1	Nut-Flange				

# Piston and Cylinder Head Assembly

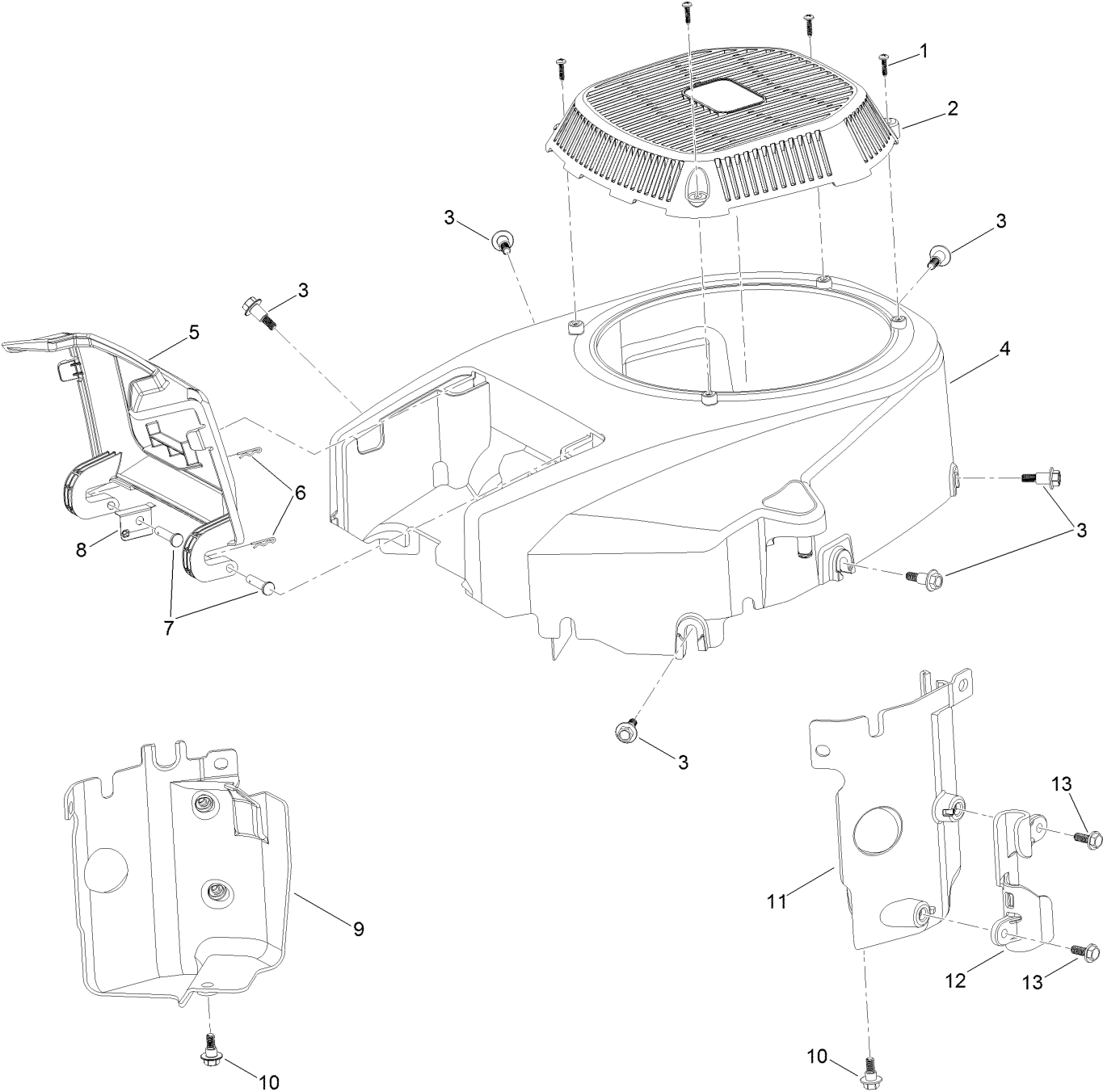




## Piston and Cylinder Head Assembly (continued)

<i>Ref.</i>	<i>Part Number</i>	<i>Qty.</i>	<i>Description</i>	<i>Ref.</i>	<i>Part Number</i>	<i>Qty.</i>	<i>Description</i>
1	127-9256	2	Connecting Rod ASM	17	81-3250	2	Spark Plug
2	127-9258	4	Clip-Pin, Piston	18	127-9231	6	Screw-HWH
3	127-9257	2	Pin-Piston	19	127-9232	4	Screw-HWH
4	127-9259	2	Piston	20	120-4303	4	Seat-Spring, Valve
5	127-9260	2	Piston Ring Set	21	120-4304	4	Seal-Stem, Valve
6	127-9224	4	Lifter-Valve	22	120-4305	4	Spring-Valve
7	127-9225	4	Rod-Push	23	120-4306	4	Retainer-Spring, Valve
8	127-9226	2	Gasket-Head, Cylinder	24	120-4307	8	Keeper-Valve
9	127-9227	4	Pin-Dowel	25	127-9233	2	Plate-Guide, Push Rod
10	127-9228	2	Valve Set	26	127-9294	4	Rocker Arm ASM
11	127-9229	1	Head-Cylinder	27	127-9295	2	Gasket-Valve Cover
12	127-9254	1	Head-Cylinder	28	127-9050	2	Cover-Valve
13	121-0464	4	Stud-Exhaust	29	120-4225	8	Screw-HHF
14	120-4317	2	Gasket-Exhaust	30	120-4214	1	Screw-Shoulder, HH
15	127-9279	4	Washer-Lock, Split	31	133-9819	1	Right Head ASM
16	121-0199	4	Nut-HH	32	133-9820	1	Left Head ASM

# Blower Housing Assembly

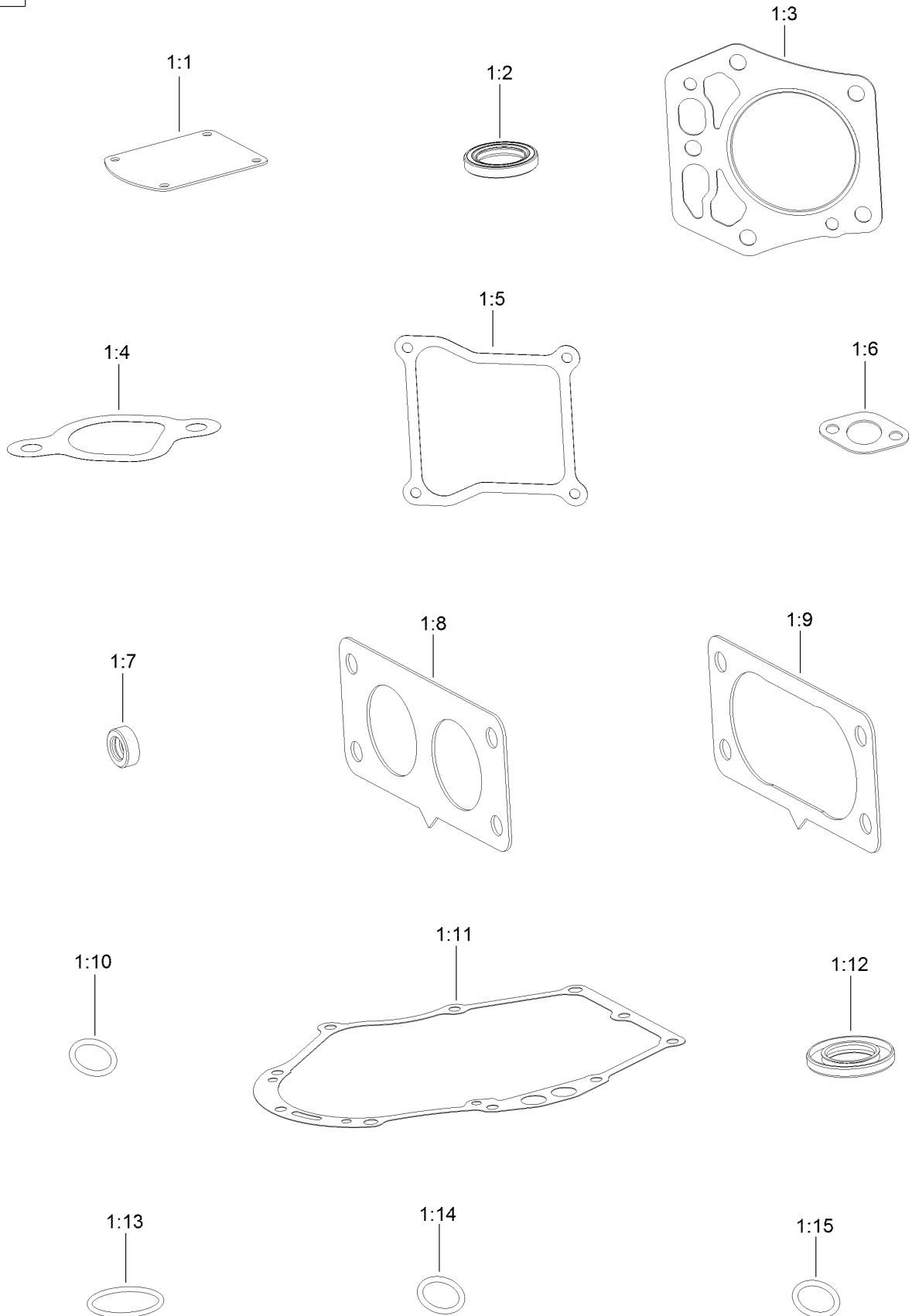


## Blower Housing Assembly (continued)

<i>Ref.</i>	<i>Part Number</i>	<i>Qty.</i>	<i>Description</i>	<i>Ref.</i>	<i>Part Number</i>	<i>Qty.</i>	<i>Description</i>
1	133-1571	4	Screw-PPH, Plastic	8	127-9281	1	Plate-Spring
2	127-9045	1	Cover-Fan	9	127-9049	1	Baffle-Air, Left
3	127-9196	6	Screw-Shoulder, HWH	10	120-4210	2	Screw-Shoulder, HHF
4	133-1572	1	Shroud-Engine	11	127-9048	1	Baffle-Air, Right
5	127-9046	1	Door-Filter, Air	12	127-9287	1	Cleat-Hose
6	127-9280	2	Pin-Hair	13	120-4232	2	Screw-HHF
7	127-9282	2	Pin				

# Gasket and Seal Kit

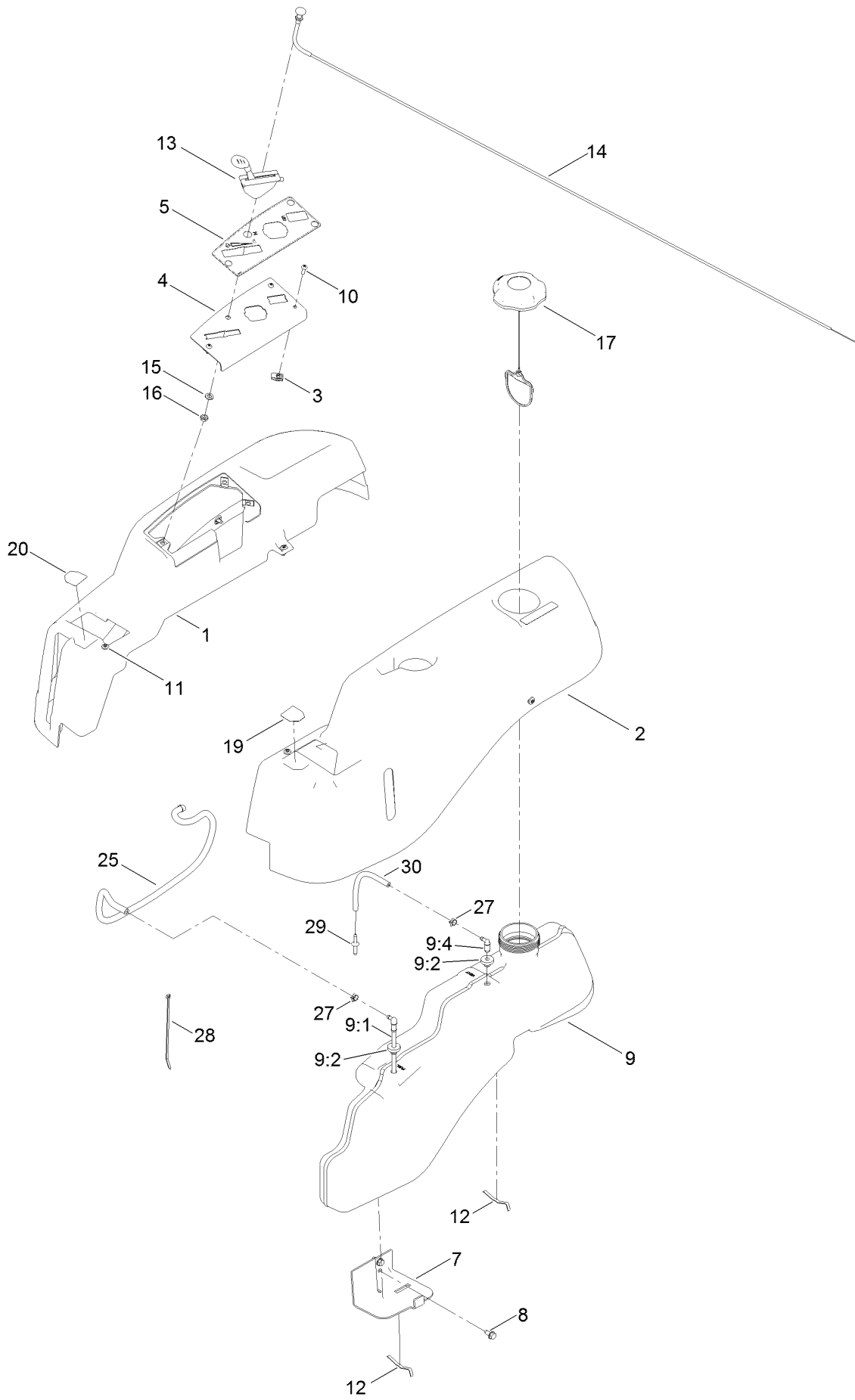
1



## Gasket and Seal Kit (continued)

<i>Ref.</i>	<i>Part Number</i>	<i>Qty.</i>	<i>Description</i>	<i>Ref.</i>	<i>Part Number</i>	<i>Qty.</i>	<i>Description</i>
1	127-9296	1	Gasket And Seal Kit	1:8	127-9246	2	Gasket-Carburetor
1:1	127-9214	1	Gasket-Breather	1:9	127-9251	1	Gasket-Carburetor
1:2	120-4267	1	Seal-Oil	1:10	120-4262	2	O-Ring
1:3	127-9226	2	Gasket-Head, Cylinder	1:11	127-9267	1	Gasket-Cover, Crankcase
1:4	127-9230	2	Gasket-Intake	1:12	127-9271	1	Seal
1:5	127-9295	2	Gasket-Valve Cover	1:13	127-9273	1	O-Ring
1:6	120-4317	2	Gasket-Exhaust	1:14	127-9284	1	O-Ring
1:7	120-4257	1	Seal-Oil	1:15	127-9286	1	O-Ring

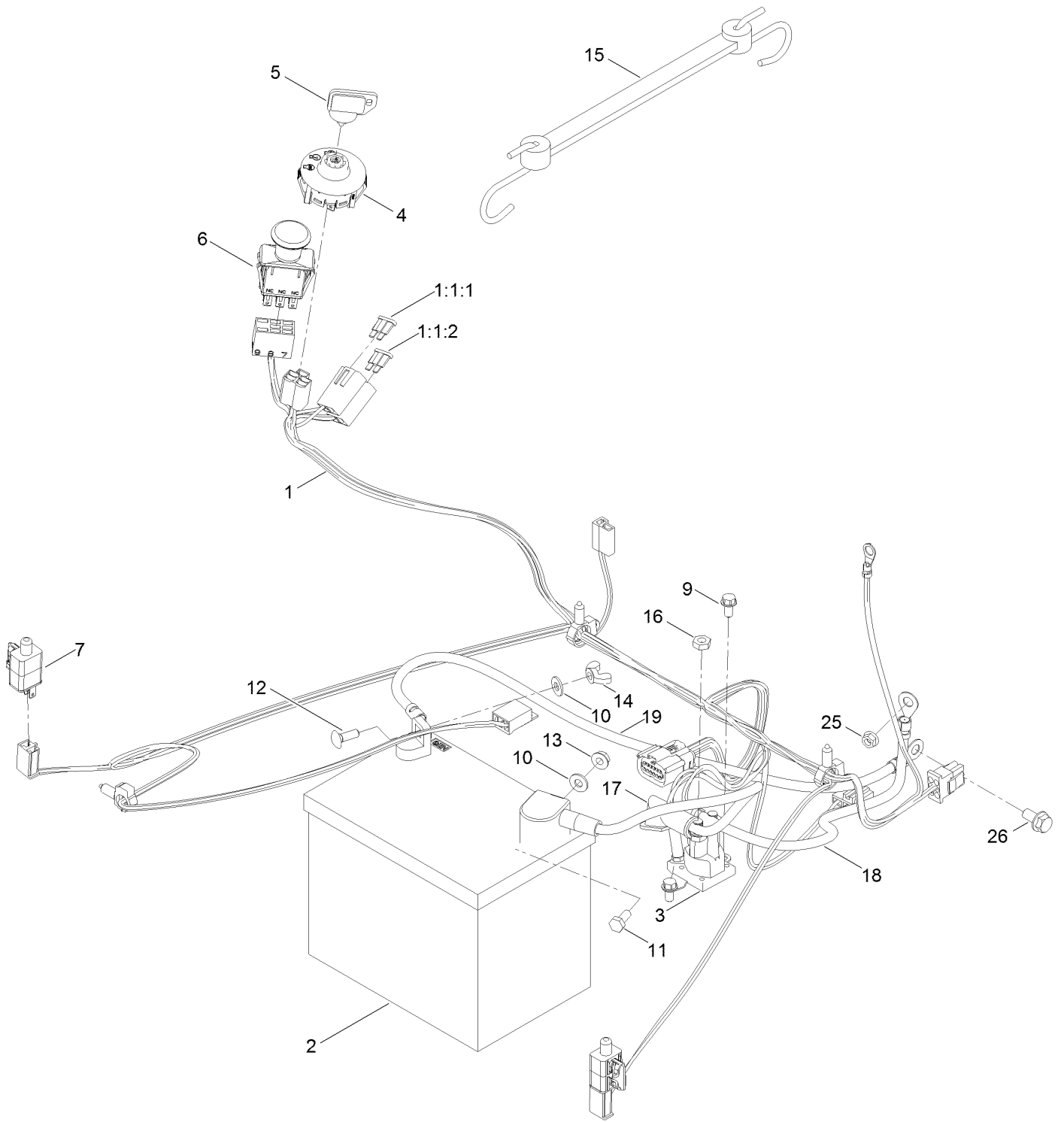
# Body Styling and Fuel Tank Assembly



## Body Styling and Fuel Tank Assembly (continued)

<i>Ref.</i>	<i>Part Number</i>	<i>Qty.</i>	<i>Description</i>	<i>Ref.</i>	<i>Part Number</i>	<i>Qty.</i>	<i>Description</i>
1	137-5063	1	Pod-RH, Narrow	12	609830	2	Spring
2	137-5064	1	Pod-LH, Narrow	13	121-0769	1	Cable-Throttle
3	107069	3	Clip	14	112-9753	1	Cable-Choke
4	119-3378-03	1	Plate-Control	15	3253-21	1	Washer-Lock
5	121-0772	1	Decal-Panel, Control	16	3220-3	1	Nut-HJ
7	119-3476-03	1	Support-Tank, Front	17	137-4119	1	Cap-Fuel, Ratcheting
8	32144-70	2	Screw-HWHTF	19	119-8814	1	Decal-Lever, Control (LH)
9	119-3324	1	Fuel Tank ASM	20	119-8815	1	Decal-Lever, Control (RH)
9:1	121-0793	1	Connector-Elbow, 90 DEG	25	109-0281	1	Hose-Fuel
9:2	46-6560	2	Bushing	27	2412-98	3	Clamp-Hose
9:4	117-7400	1	Fitting-Plastic	28	614249	1	Tie-Cable
10	3258-166	3	Screw-PRH	29	117-5399	1	Adaptor-Orifice
11	120-7950	6	Screw-Shoulder	30	110-1876	1	Hose-Fuel

# Battery and Electrical Assembly

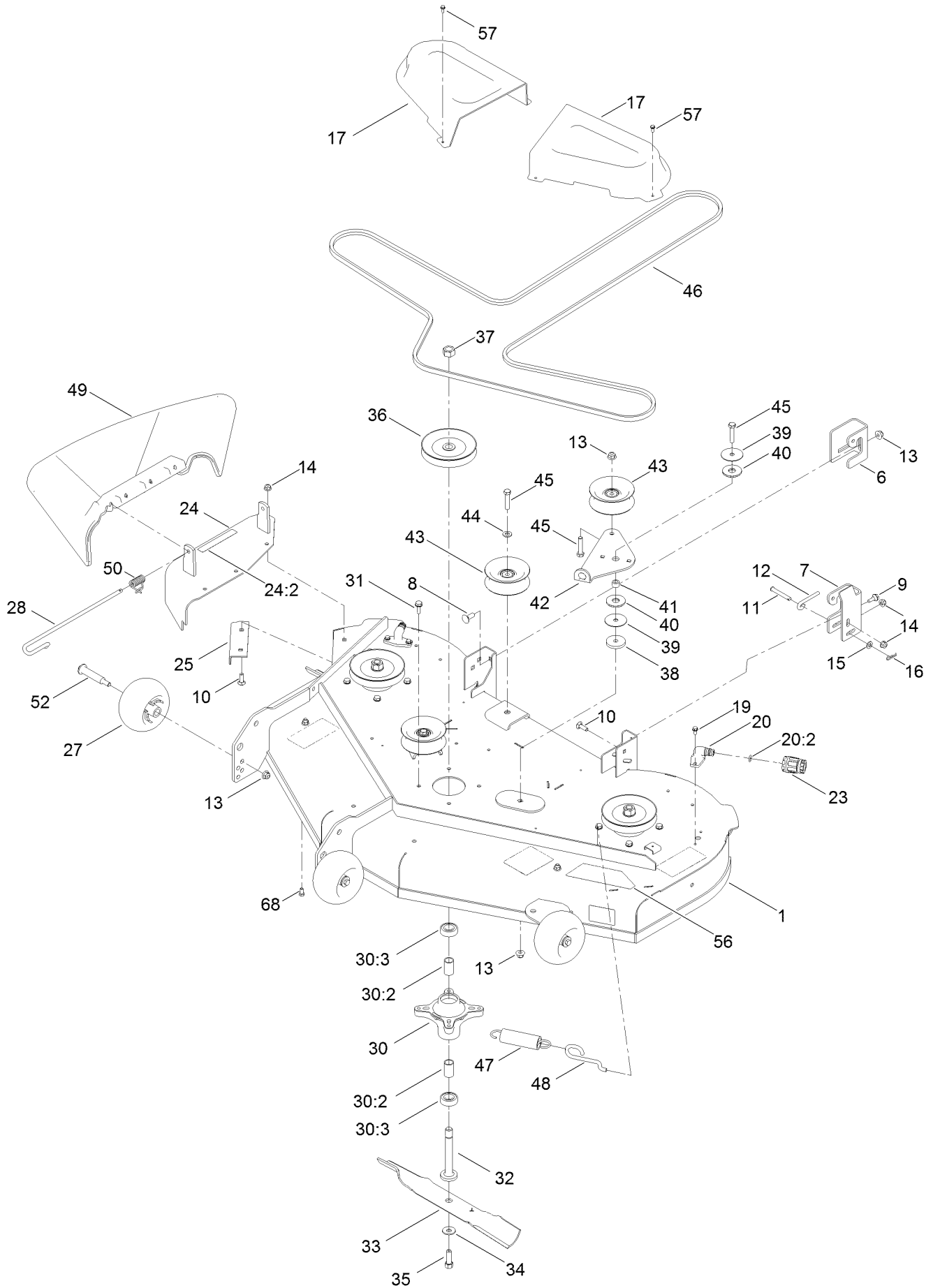




## Battery and Electrical Assembly (continued)

<i>Ref.</i>	<i>Part Number</i>	<i>Qty.</i>	<i>Description</i>	<i>Ref.</i>	<i>Part Number</i>	<i>Qty.</i>	<i>Description</i>
1	136-7482	1	Harness-Wire	11	321-3	1	Screw-HH
1:1:1	109103	1	Fuse-Blade, 30 Amp	12	3229-1	1	Bolt-CARR
1:1:2	109102	1	Fuse-Blade, 25 Amp	13	32128-33	1	Nut-HF
2	105-1692	1	Battery	14	32103-22	1	Nut-Wing
3	117-1197	1	Solenoid	15	104-2466	1	Holddown-Battery
4	137-4100	1	Switch-Ignition	16	3220-2	2	Nut-Jam
5	63-8360	1	Key-Ignition	17	119-8897	1	Cable-Battery, Red
6	103-5221	1	Switch-PTO	18	121-0711	1	Cable-Battery, Positive
7	110-6765	2	Switch	19	119-8899	1	Cable-Battery, Black
9	32144-4	2	Screw-HWH	25	33003-00	1	Nut-HF
10	3256-22	2	Washer-Flat	26	3234-14	1	Screw-HHF

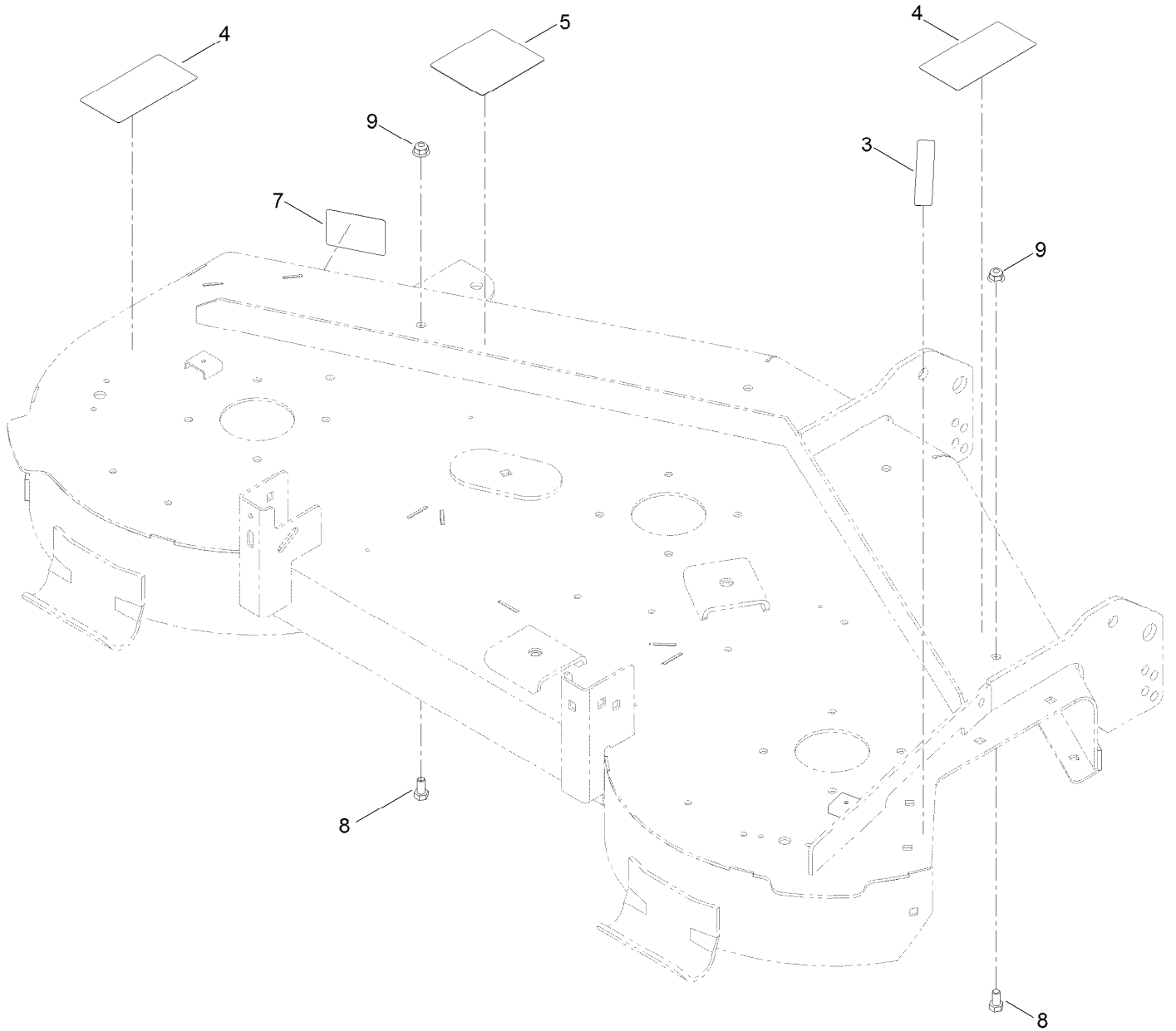
# 50 Inch Deck Assembly



## 50 Inch Deck Assembly (continued)

<i>Ref.</i>	<i>Part Number</i>	<i>Qty.</i>	<i>Description</i>	<i>Ref.</i>	<i>Part Number</i>	<i>Qty.</i>	<i>Description</i>
1	131-3614	1	Deck And Decal ASM	31	32144-41	12	Screw-Taptite
6	131-4138	1	Bracket-Hanger, RH	32	117-7268	3	Shaft-Spindle
7	131-3935	1	Bracket-Hanger, LH	33	115-5059-03	3	Blade-Hi Lift
8	3231-2	2	Bolt-CARR	34	3290-465	3	Washer-Belleville
9	120-7024	1	Screw-Shoulder, HHF	35	26-0671	3	Screw-HH
10	3230-22	5	Screw-CARR	36	125-5575	3	Pulley
11	110-0618	1	Pin-Clevis	37	3219-6	3	Nut-Hex
12	131-0955	1	Rod-Level, Deck	38	110-9981	1	Washer-Plain
13	104-8301	7	Nut-HF, NI	39	120-2229	2	Washer
14	104-8300	8	Nut-HF, NI	40	114-0463	2	Washer-Friction, Composite
15	3256-23	1	Washer-Plain	41	115-4986	1	Spacer
16	1-806003	1	Pin-Cotter	42	114-8540	1	Arm-Idler
17	108-7890	2	Cover-Belt	43	132-9420	3	Pulley-Idler, Flat
19	32144-4	4	Screw-HWH	44	3256-24	2	Washer-Flat
20	133-9289	2	Fitting-Washout	45	323-9	4	Screw-HH
20:2	133-9290	1	O-Ring	46	130-0843	1	Belt-V
23	95-3270	1	Connector-Hose	47	1-603414	1	Spring-Extension
24	131-3962	1	Cover ASM W/Decal	48	112-3973	1	Hook-Return, Spring
24:2	93-7009	1	Decal-Danger	49	121-0739	1	Deflector-Discharge
25	120-7951-03	1	Baffle-Cutoff	50	121-2983	1	Spring-Torsion
27	1-603299	3	Roller-Scalp, Anti	52	112-3977	3	Bolt-Shoulder
28	109-8854	1	Pin-Chute	56	121-0792	1	Decal-Deck
30	121-0751	3	Spindle ASM	57	32144-1	6	Screw-Taptite
30:2	120-7935	2	Spacer	68	322-2	2	Screw-HH
30:3	136-5441	2	Bearing-Ball				

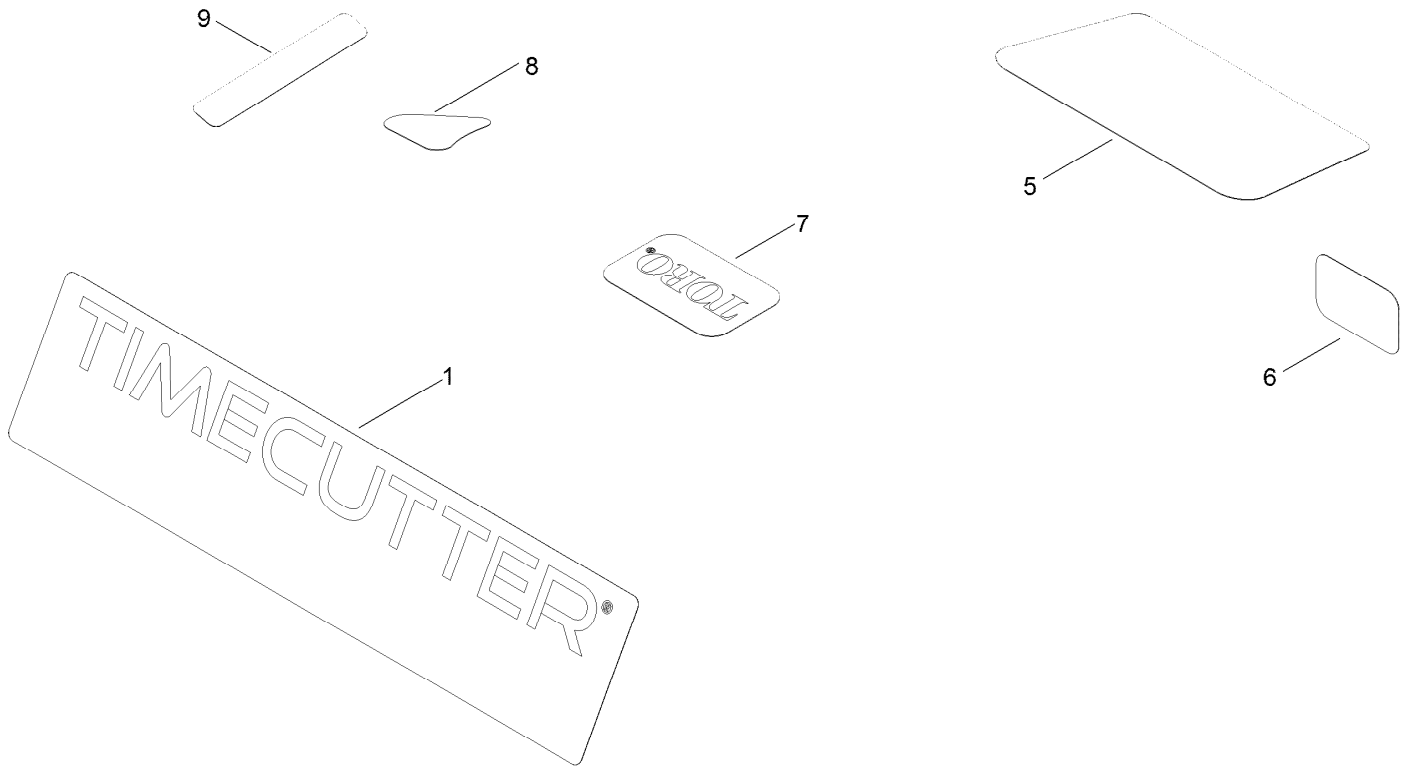
# 50 Inch Deck and Decal Assembly No. 131-3614



# 50 Inch Deck and Decal Assembly No. 131-3614 (continued)

<i>Ref.</i>	<i>Part Number</i>	<i>Qty.</i>	<i>Description</i>	<i>Ref.</i>	<i>Part Number</i>	<i>Qty.</i>	<i>Description</i>
3	93-7009	1	Decal-Danger	7	112-9840	1	Decal-Scalp, Anti
4	132-0872	2	Decal-Danger, Deck	8	322-2	2	Screw-HH
5	99-3943	1	Decal-Routing, Belt	9	104-8300	2	Nut-HF, NI

# Model Specific Decal Assembly

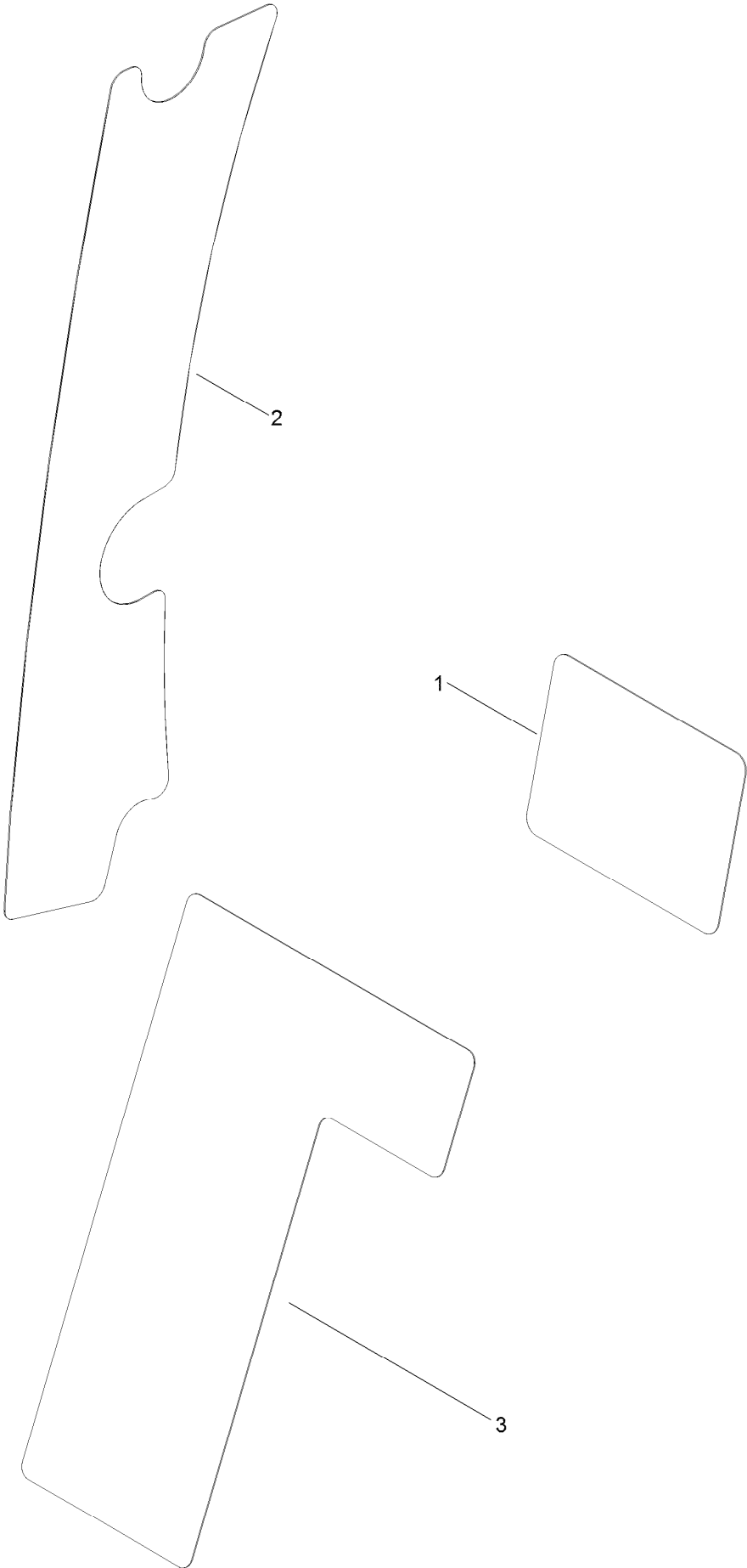


## Model Specific Decal Assembly (continued)

<i>Ref.</i>	<i>Part Number</i>	<i>Qty.</i>	<i>Description</i>
1	131-3655	1	Decal-Timecutter
5	136-5597	1	Decal-Engine
6	127-9076	1	Placard-Intake

<i>Ref.</i>	<i>Part Number</i>	<i>Qty.</i>	<i>Description</i>
7	131-4157	1	Decal
8	131-1097	1	Decal-Drain, Oil
9	132-0904	1	Decal-Shutdown

# Maintenance, HOC and Smart Speed Decal Assembly

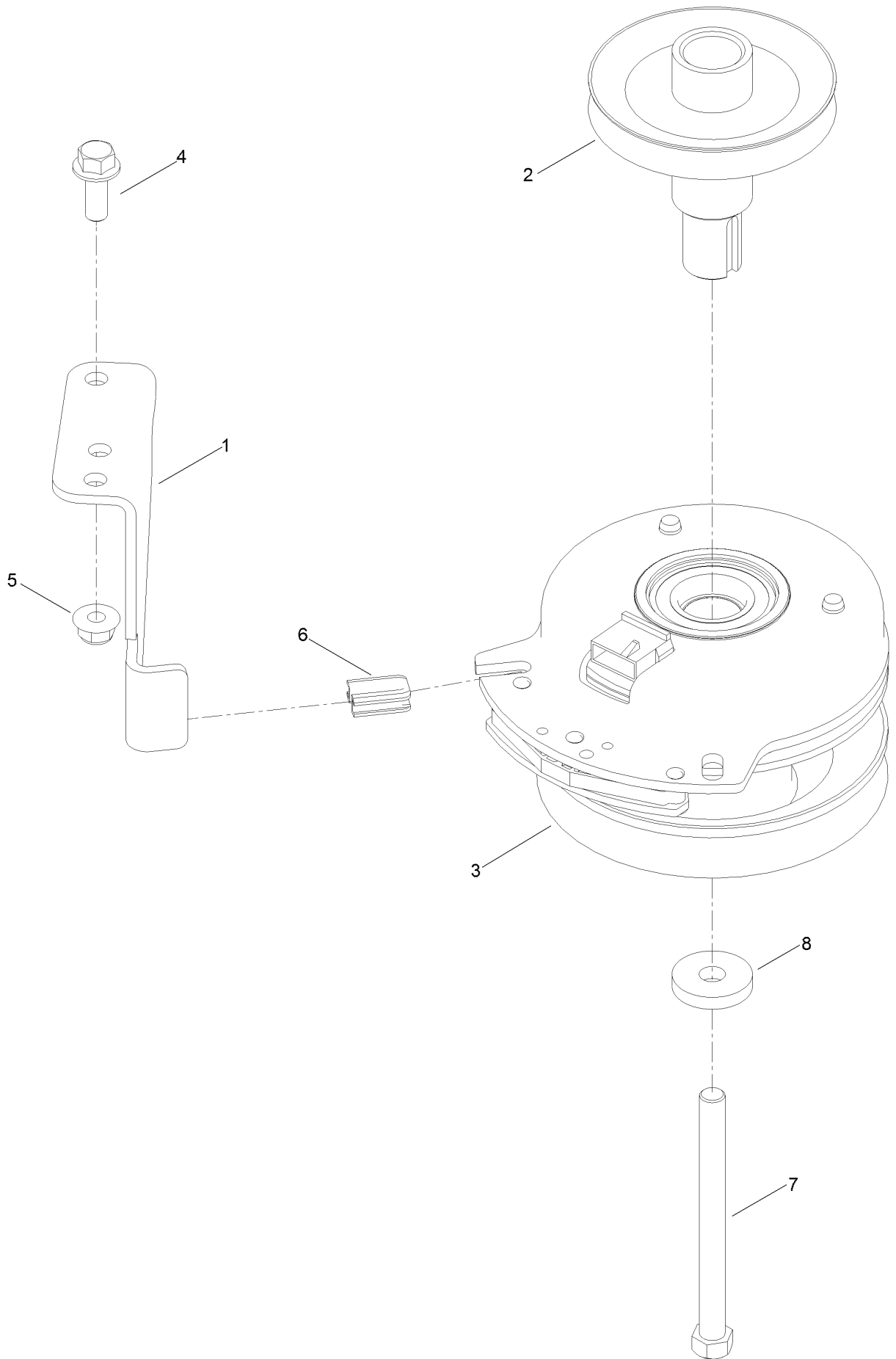




## Maintenance, HOC and Smart Speed Decal Assembly (continued)

<i>Ref.</i>	<i>Part Number</i>	<i>Qty.</i>	<i>Description</i>
1	136-5596	1	Decal-Maintenance
2	119-8871	1	Decal-HOC
3	136-4245	1	Decal-Smart Speed

# Clutch Assembly



## Clutch Assembly (continued)

<i>Ref.</i>	<i>Part Number</i>	<i>Qty.</i>	<i>Description</i>	<i>Ref.</i>	<i>Part Number</i>	<i>Qty.</i>	<i>Description</i>
1	137-7000	1	Stop-Clutch (Wide)	5	104-8301	1	Nut-HF, NI
2	130-6854	1	Pulley-Engine	6	120-2217	1	Isolator-Clutch
3	127-3410	1	Clutch-PTO	7	3212-19	1	Screw-HH
4	3234-42	1	Screw-HHF	8	112843	1	Washer

# Attachments and Accessories

## For 74768 TimeCutter MX 5075 Riding Mower

<b>Product Name</b>	<b>Model/Part</b>
Attachment Mount Kit .....	131-3966
Weight Kit .....	131-7658
50in Bagger .....	79398
Bagging Enhancement Kit .....	121-5692
50in Recycler Kit.....	79024
Striping Kit .....	121-5706
Blade Kit .....	79016P
Hourmeter Kit .....	116-5461
Storage Cover .....	490-7516
Fuel Stabilizer .05 oz .....	130-2393
Toro Premium Fuel Treatment 12 Oz Bottle .....	131-6572
Seat Cover w/Arm Rest .....	117-0097
All Season Synthetic Oil (10W30, QT) .....	117-0066
10w30 4-cycle Engine Oil (32oz Bottle) .....	38280
Toro 4-cycle SAE 30 Oil (32oz Bottle) .....	38903
Jack Mount Kit .....	126-5251
Jack Kit.....	127-6666
HD Shock and Spring Kit .....	137-2042
4-Cycle Fuel, Snow And Lawn 32oz Can .....	131-3823
HD Air Cleaner Kit .....	136-7860
Toro V-Twin Engine Maintenance Kit .....	132-4878
Maintenance Kit Toro V-twin Hd Engine .....	136-7847
Pro-Control Damper Kit .....	138-7588

## For 74778 TimeCutter MX 5075 Riding Mower

<b>Product Name</b>	<b>Model/Part</b>
Attachment Mount Kit .....	131-3966
Weight Kit .....	131-7658
50in Bagger .....	79398
Bagging Enhancement Kit .....	121-5692
50in Recycler Kit.....	79024
Striping Kit .....	121-5706
Blade Kit .....	79016P
Hourmeter Kit .....	116-5461
Storage Cover .....	490-7516
Fuel Stabilizer .05 oz .....	130-2393
Toro Premium Fuel Treatment 12 Oz Bottle .....	131-6572
Seat Cover w/Arm Rest .....	117-0097
All Season Synthetic Oil (10W30, QT) .....	117-0066
10w30 4-cycle Engine Oil (32oz Bottle) .....	38280
Toro 4-cycle SAE 30 Oil (32oz Bottle) .....	38903
Jack Mount Kit .....	126-5251
Jack Kit.....	127-6666
HD Shock and Spring Kit .....	137-2042

# Attachments and Accessories (continued)

4-Cycle Fuel, Snow And Lawn 32oz Can ..... 131-3823  
HD Air Cleaner Kit ..... 136-7860  
Toro V-Twin Engine Maintenance Kit ..... 132-4878  
Maintenance Kit Toro V-twin Hd Engine ..... 136-7847  
Pro-Control Damper Kit ..... 138-7588

**Notes:**

**Notes:**



**Count on it.**