



Count on it.

Parts Catalog

Groundsmaster® 4100

Rotary Mower

Model No. 30604—Serial No. 313000001 and Up



Ordering Replacement Parts

To order replacement parts, please supply the part number, the quantity, and the description of each part desired.

Understanding Reference Numbers

Each identified part in an illustration has a reference number. The reference number for a part also appears in the parts list, along with other information about the part.

This catalog uses two special reference number formats, one to indicate parts in a service assembly and another to indicate the quantity of a given part in an illustration.

Service Assembly Reference Numbers

Parts in service assemblies have reference numbers in the form a:b. The a represents the reference number of the entire service assembly and the b represents a sequential number unique to each part within the service assembly.

For example, a wheel assembly might be identified by reference number 6, the tire by 6:1, the valve by 6:2, and the wheel by 6:3. When you order the assembly identified by reference number 6, you receive all parts identified by reference numbers 6:1, 6:2, and 6:3. However, you may also order any part individually. Reference numbers of this type appear in illustration and in parts lists.

Reference Numbers Indicating Quantity

In an illustration, if a reference number indicates more than one part, the reference number has the form nX y. The n represents the quantity of the part, the X is the multiplication symbol, and the y represents the reference number.

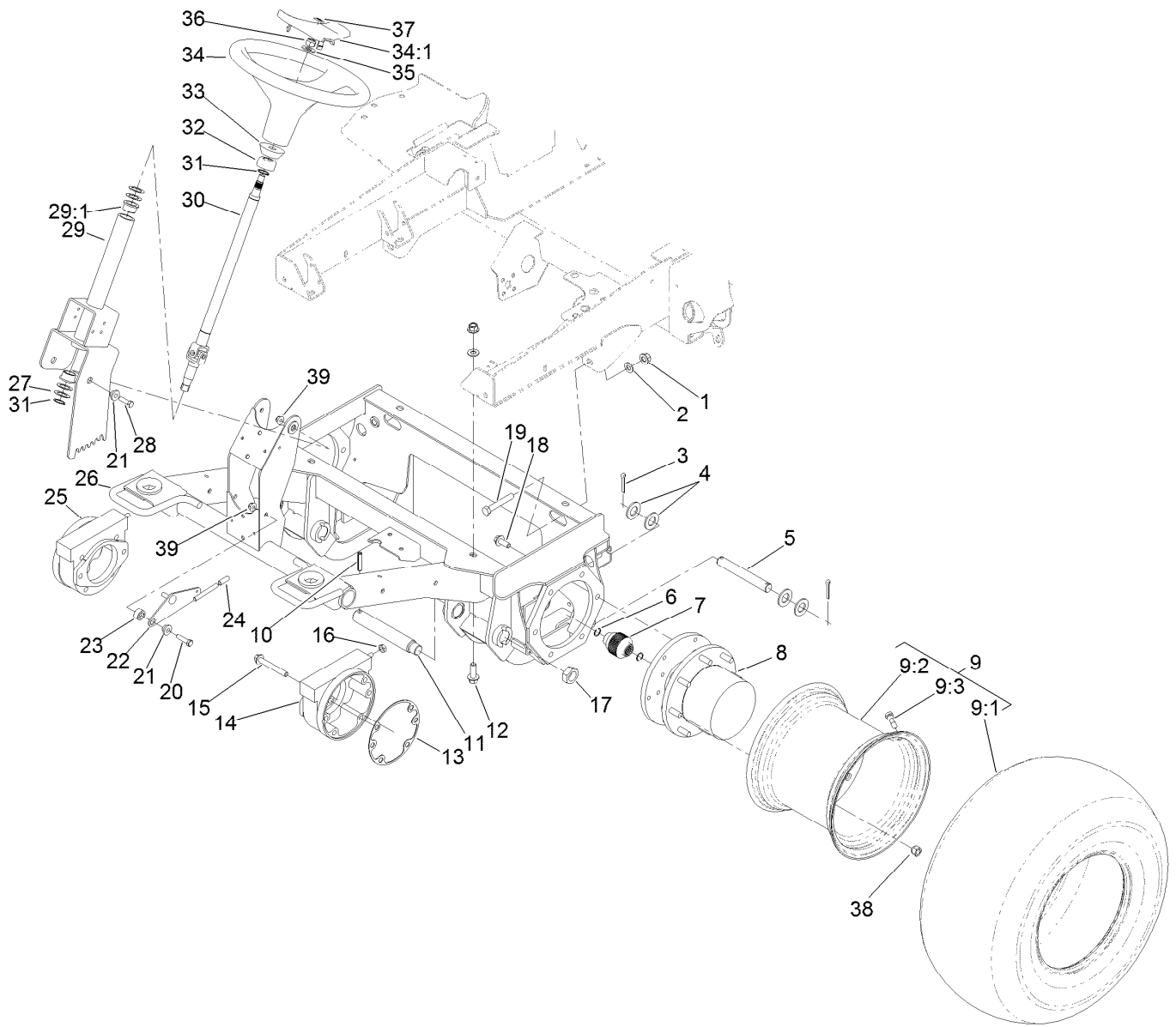
For example, in an illustration, the reference number 2X 37 means that two of the parts identified by reference number 37 are indicated.

Contents

| | |
|--|----|
| Front Frame and Steering Assembly | 5 |
| Planetary Assembly No. 105-4500 | 7 |
| Brake Assembly No. 100-3070-03 | 8 |
| RH Brake Assembly No. 100-3069-03 | 9 |
| Roll-Over Protection System, Rear Cover and Battery Assembly | 10 |
| Frame and Bumper Assembly | 11 |
| Radiator and Fan Assembly | 12 |
| Flywheel, Motor Mount and Compressor Assembly | 14 |
| Fan Mounting and Hardlines Assembly | 15 |
| Hydraulic Motor Assembly No. 117-4769 | 16 |
| Engine, Intake and Exhaust Assembly | 17 |
| Piston Pump and Gear Pump Assembly | 18 |
| Combination Manifold Assembly | 20 |
| Combination Manifold Assembly No. 120-8842 | 22 |
| Manifold Block Assembly | 24 |
| Left Power-Take-Off Manifold Assembly No. 121-1536 | 26 |
| Rear Traction Manifold Assembly No. 121-1530 | 27 |
| Center and Right Power-Take-Off Manifold Assembly No. 121-1537 | 28 |
| Drive Motor, Steer Valve and Filter Head Assembly | 29 |
| Steering Valve Assembly No. 114-4900 | 30 |
| Hydraulic Reservoir Assembly | 31 |
| Lift, Steer and Fan Hydraulic Assembly | 32 |
| Oil Cooler Hydraulic Assembly | 34 |
| Traction Hydraulic Assembly | 36 |
| Rear Axle and Steering Cylinder Assembly | 37 |
| Bevel Pinion Shaft Assembly Rear Axle Assembly No. 110-4750 | 39 |
| Differential Assembly Rear Axle Assembly No. 110-4750 | 40 |
| Axle Support Assembly Rear Axle Assembly No. 110-4750 | 41 |
| Bevel Gear Case Assembly Rear Axle Assembly No. 110-4750 | 42 |
| Bevel Gear Shaft Assembly Rear Axle Assembly No. 110-4750 | 43 |
| Axle Case Assembly Rear Axle Assembly No. 110-4750 | 44 |
| Axle Assembly Rear Axle Assembly No. 110-4750 | 45 |
| Steering Cylinder Assembly No. 121-1534 | 46 |
| Hydraulic Fitting Assembly | 47 |
| Hose and Tube Routing Assembly | 48 |
| Fuel Tank and Air Cleaner Assembly | 49 |
| Air Cleaner Assembly No. 99-5410 | 50 |
| Hood and Screen Assembly | 51 |
| Fuel / Water Separator Assembly | 52 |
| Traction Pedal Assembly | 53 |
| Brake Pedal Assembly | 55 |
| Seat Base and Seat Assembly | 56 |
| Air Ride Seat Suspension Assembly No. 108-1488 | 58 |
| Vinyl Premium Seat Assembly No. 117-5676 | 60 |
| Parking Brake, Steering Tower and Power Center Assembly | 61 |
| Fender, Tool Box and Cover Assembly | 62 |
| Fender and Step Support Assembly | 63 |
| Front Deck Lift-Arm Assembly | 64 |
| Front Deck Hydraulic Fitting Assembly | 66 |
| Gear Motor Assembly No. 99-5489 | 67 |
| Front Deck Hose Routing Assembly | 68 |
| Hydraulic Cylinder Assembly No. 120-8822 | 70 |
| Platform Harness and Fuse Assembly | 71 |
| Rear Harness Assembly | 72 |

Contents (continued)

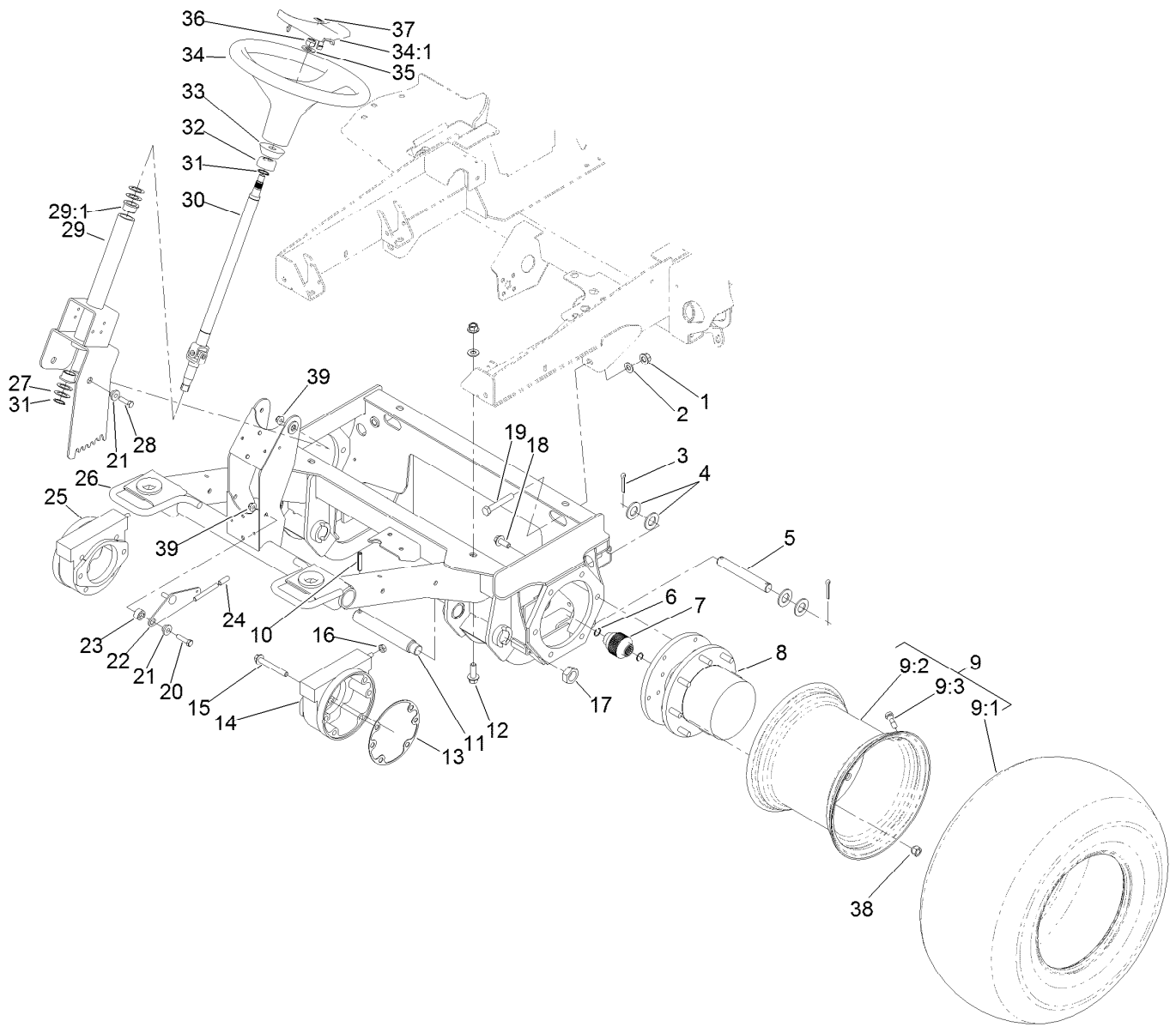
| | |
|--|-----|
| Battery Cable and Grounds Assembly | 73 |
| Engine Harness Assembly | 74 |
| Arm-Rest Control Panel Assembly | 75 |
| Arm-Rest Plug Assembly | 77 |
| Center Deck Assembly | 78 |
| Low Driven Spindle Assembly No. 119-4776..... | 80 |
| Wing Lift Cylinder Assembly No. 107-0190 | 81 |
| High Driven Spindle Assembly No. 119-4549 | 82 |
| Right Hand and Left Hand Deck Installation Assembly..... | 83 |
| Caster Wheel Assembly | 85 |
| Spindle and Blade Assembly | 87 |
| Driving Spindle Assembly No. 119-4547 | 88 |
| Double Driven Spindle Assembly No. 119-5298 | 89 |
| Deck Cover Assembly | 90 |
| Rear Discharge Baffle Assembly | 91 |
| Cylinder Block Assembly..... | 92 |
| Gear Housing Assembly | 93 |
| Cylinder Head and Bonnet Assembly | 94 |
| Flywheel Housing and Oil Sump Assembly | 96 |
| Suction Manifold Assembly..... | 97 |
| Exhaust Manifold and Silencer Assembly..... | 98 |
| Camshaft and Driving Gear Assembly | 99 |
| Turbine Assembly..... | 100 |
| Crankshaft and Piston Assembly..... | 101 |
| Lubrication and Oil System Assembly..... | 102 |
| Lubrication Oil Line Assembly | 103 |
| Fuel Injection Pump Assembly..... | 104 |
| Cooling Water System Assembly..... | 106 |
| Governor Assembly | 107 |
| Fuel Injection Valve Assembly | 108 |
| Starting Motor Assembly..... | 109 |
| Generator Assembly | 110 |
| Gasket Set..... | 111 |
| Attachments and Accessories | 112 |



Front Frame and Steering Assembly

| Ref. | Part Number | Qty. | Description | Ref. | Part Number | Qty. | Description |
|------|-------------|------|--------------------------|------|-------------|------|---------------------|
| 1 | 99-5107 | 6 | Nut-Lock | 16 | 3218-4 | 2 | Nut-Jam |
| 2 | 3256-26 | 6 | Washer-Flat | 17 | 3296-49 | 2 | Nut-Lock, NI |
| 3 | 3272-30 | 4 | Pin-Cotter | 18 | 33106-030 | 12 | Screw-HHF |
| 4 | 3256-29 | 8 | Washer-Flat | 19 | 325-13 | 2 | Screw-HH |
| 5 | 110-6006 | 2 | Pin-Clevis | 20 | 323-8 | 1 | Screw-HH |
| 6 | 93-7972 | 4 | Ring-Retaining, Internal | 21 | 93-5988 | 3 | Hub-Pivot |
| 7 | 100-3046 | 2 | Shaft-Brake, Splined | 22 | 114-5907-03 | 1 | Lever-Tilt |
| 8 | 105-4500 | 2 | Planetary ASM | 23 | 114-4854 | 1 | Spacer-Cup |
| 9 | | 2 | Wheel And Tire ASM ● | 24 | 93-5446 | 1 | Cap-Vinyl |
| 9:1 | 119-8313 | 1 | Tire | 25 | 100-3069-03 | 1 | Brake ASM |
| 9:2 | 120-4175 | 1 | Rim | 26 | 120-4085-03 | 1 | Frame-Front |
| 9:3 | 232-27 | 1 | Stem-Valve | 27 | 9547 | 4 | Washer-Thrust |
| 10 | 117-5479 | 2 | Pin-Spring | 28 | 323-7 | 2 | Screw-HH |
| 11 | 100-3017 | 2 | Pin-Arm, Lift | 29 | 114-0167 | 1 | Steering Column ASM |
| 12 | 100-6116 | 4 | Screw-HHF | 29:1 | 256-132 | 2 | Bushing-Flange |
| 13 | 93-7984 | 2 | Gasket | 30 | 93-5428 | 1 | Shaft-Steering |
| 14 | 100-3070-03 | 1 | Brake ASM | 31 | 32151-29 | 2 | Ring-Retaining |
| 15 | 33106-090 | 8 | Screw-HHF | 32 | 93-5439 | 1 | Seal-Steering |

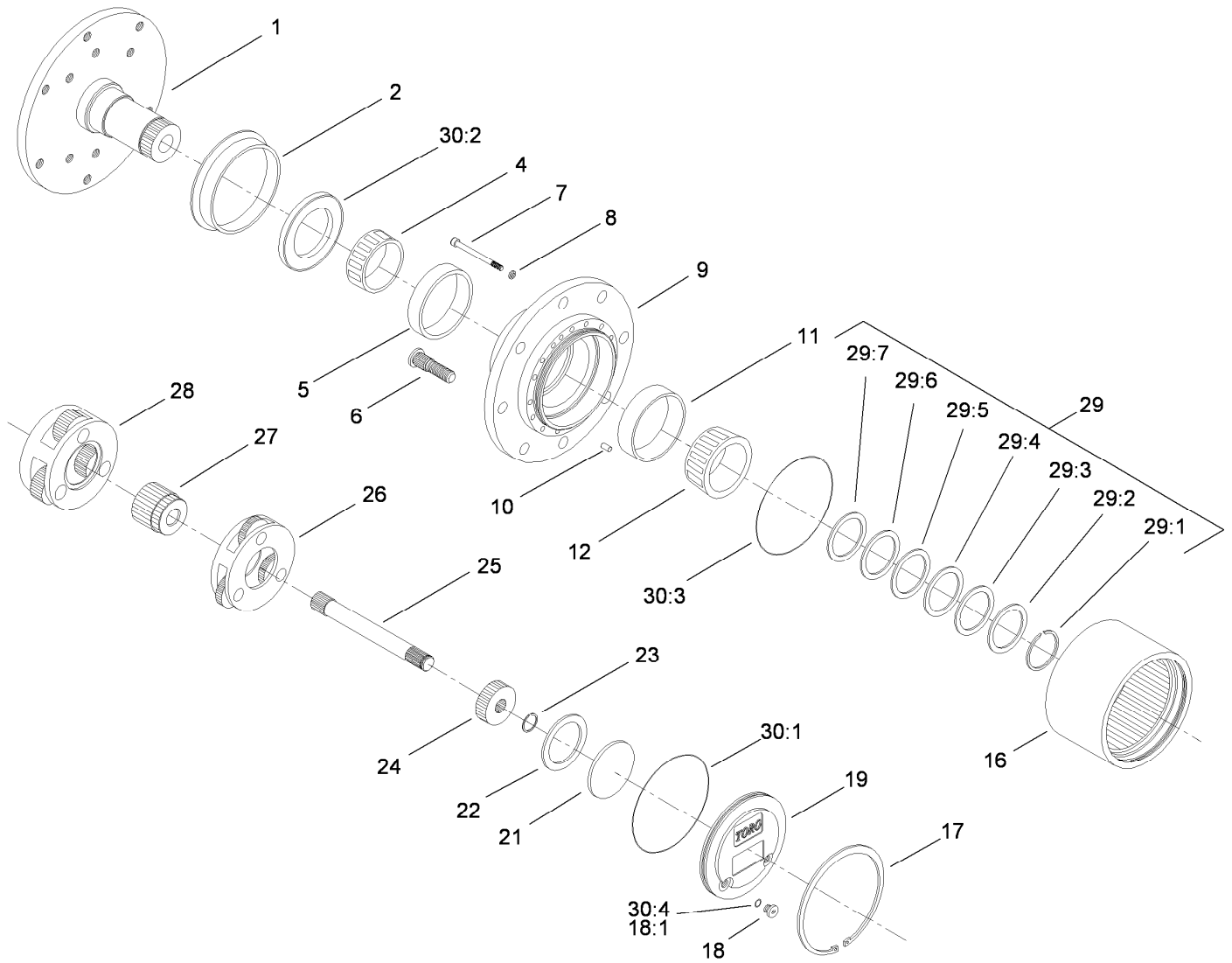
● Not serviced separately



Front Frame and Steering Assembly (continued)

| <i>Ref.</i> | <i>Part Number</i> | <i>Qty.</i> | <i>Description</i> | <i>Ref.</i> | <i>Part Number</i> | <i>Qty.</i> | <i>Description</i> |
|-------------|--------------------|-------------|-----------------------|-------------|--------------------|-------------|--------------------|
| 33 | 93-5429 | 1 | Collar-Foam | 36 | 108-9342 | 1 | Nut-Hex |
| 34 | 98-1471 | 1 | Wheel-Steering | 37 | 98-1459 | 1 | Decal |
| 34:1 | 98-1468 | 1 | Cover-Wheel, Steering | 38 | 242-50 | 16 | Nut-Lug |
| 35 | 3256-27 | 1 | Washer-Flat | 39 | 104-8301 | 3 | Nut-HF, NI |

● Not serviced separately



Planetary Assembly No. 105-4500

| Ref. | Part Number | Qty. | Description | Ref. | Part Number | Qty. | Description |
|------|-------------|------|-------------------|------|-------------|------|-----------------------|
| 1 | | 1 | Spindle ■ | 24 | 105-8114 | 1 | Gear-Primary |
| 2 | 105-8122 | 1 | Seal-Boot | 25 | 105-8115 | 1 | Shaft-Drive |
| 4 | 105-8120 | 1 | Bearing-Cone | 26 | 105-8129 | 1 | Carrier-Primary |
| 5 | 105-8119 | 1 | Bearing-Cup | 27 | 105-8139 | 1 | Gear-Secondary |
| 6 | 105-8124 | 8 | Stud-Wheel | 28 | 105-8130 | 1 | Carrier-Secondary |
| 7 | 105-8125 | 16 | Bolt-Head, Socket | 29 | 105-8136 | 1 | Shim Kit |
| 8 | 3253-18 | 16 | Washer-Lock | 29:1 | | 1 | Ring-Snap ■ |
| 9 | | 1 | Housing ■ | 29:2 | | 1 | Shim-Bearing, 2.9Mm ■ |
| 10 | 105-8121 | 1 | Pin-Dowel | 29:3 | | 1 | Shim-Bearing, 2.8Mm ■ |
| 11 | 105-8117 | 1 | Bearing-Cup | 29:4 | | 1 | Shim-Bearing, 2.7Mm ■ |
| 12 | 105-8118 | 1 | Bearing-Cone | 29:5 | | 1 | Shim-Bearing, 2.6Mm ■ |
| 16 | 105-8113 | 1 | Gear-Ring | 29:6 | | 1 | Shim-Bearing, 2.5Mm ■ |
| 17 | 105-8132 | 1 | Ring-Retaining | 29:7 | | 1 | Shim-Bearing, 2.4Mm ■ |
| 18 | 353-990 | 2 | Plug ASM | 30 | 105-8137 | 1 | Seal Kit ● |
| 18:1 | 237-78 | 1 | O-Ring | 30:1 | | 1 | O Ring-Flange Cap ■ |
| 19 | 105-8138 | 1 | Cap-End | 30:2 | | 1 | Seal-Oil ■ |
| 21 | 105-8133 | 1 | Plug-Thrust | 30:3 | | 2 | O Ring-End Cap ■ |
| 22 | 105-8123 | 1 | Washer-Thrust | 30:4 | 237-78 | 2 | O-Ring |
| 23 | 105-8131 | 1 | Ring-Retaining | | | | |

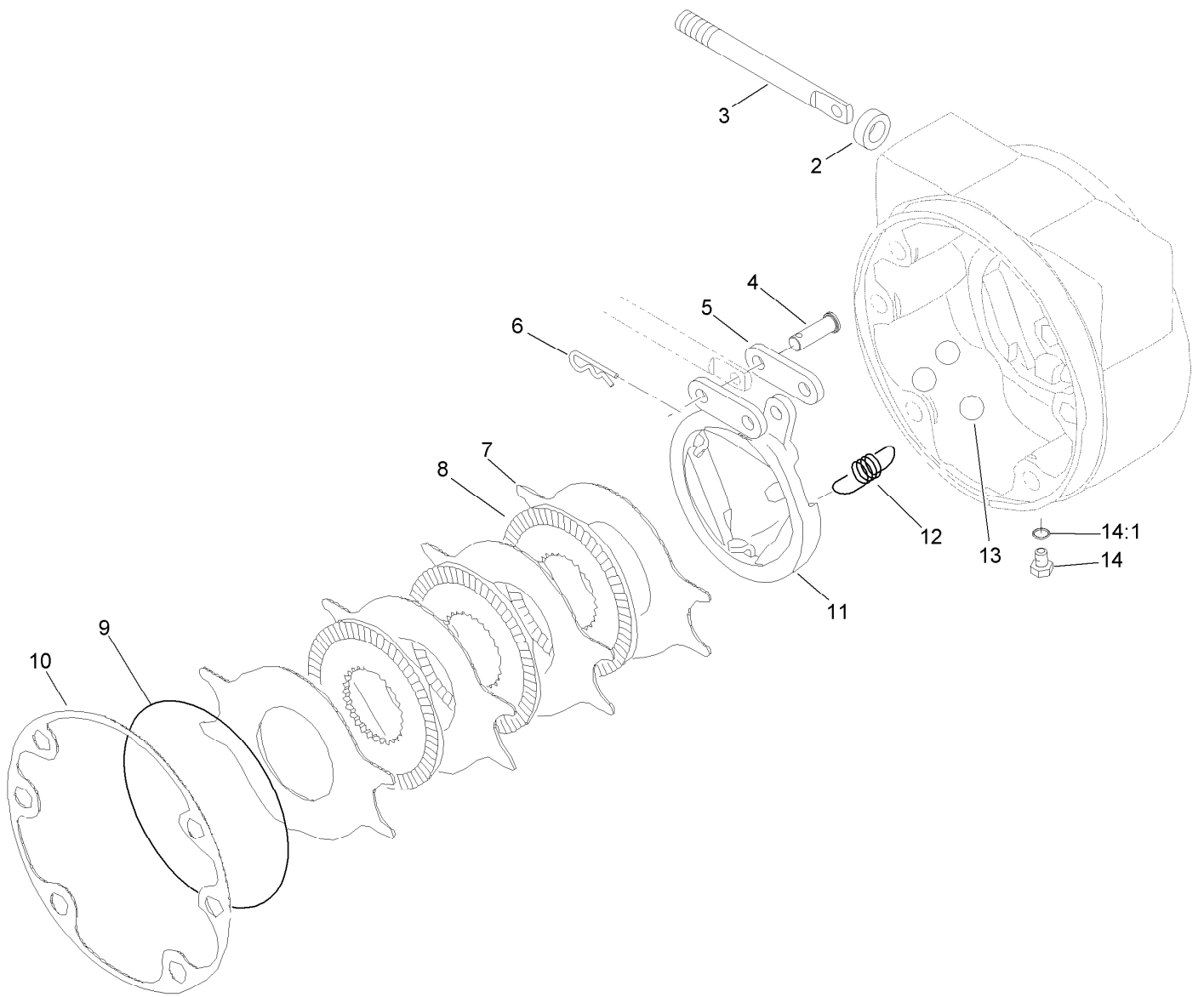
● Not illustrated

■ Not serviced separately



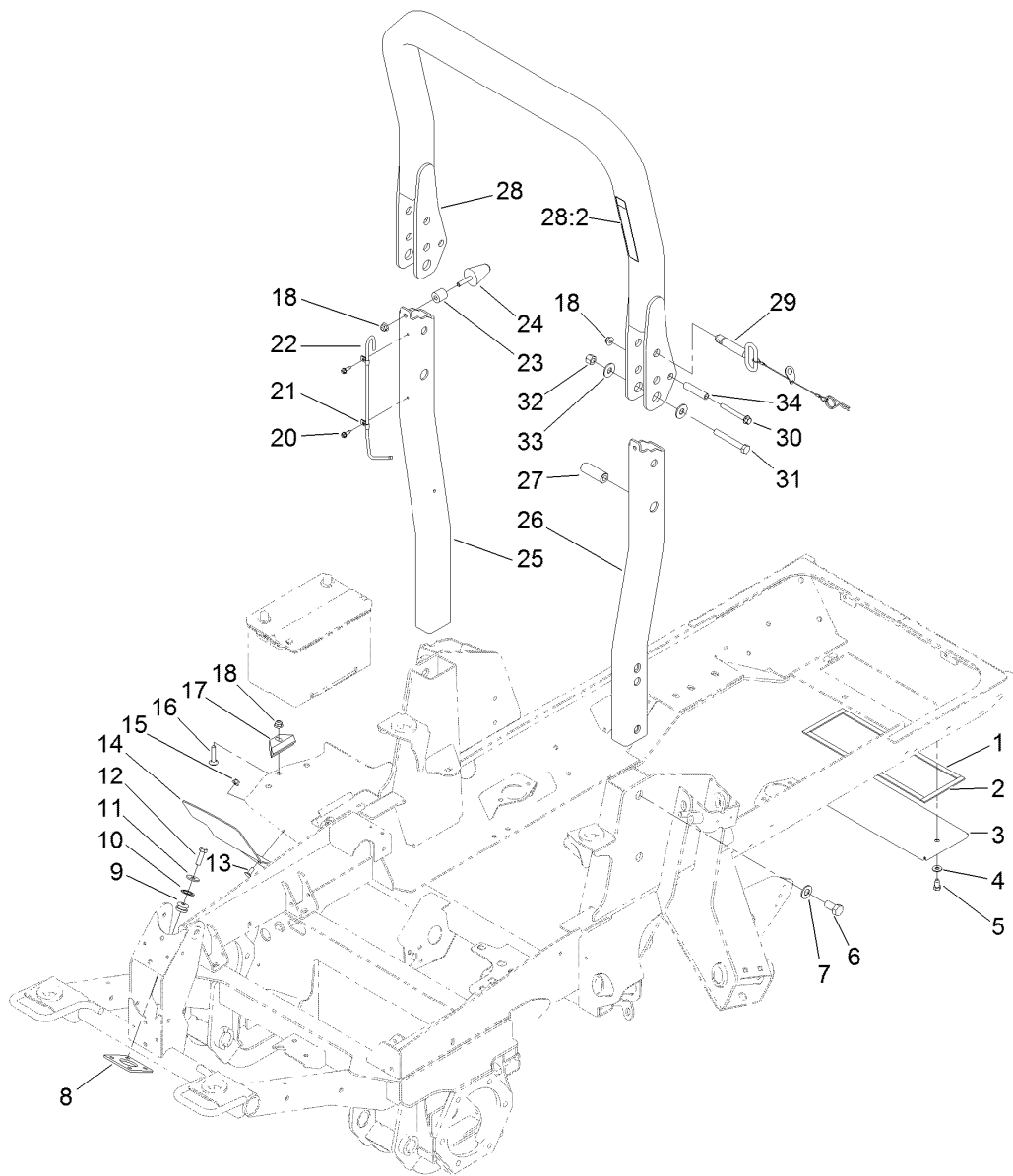
Brake Assembly No. 100-3070-03

| <i>Ref.</i> | <i>Part Number</i> | <i>Qty.</i> | <i>Description</i> |
|-------------|--------------------|-------------|--------------------|
| 2 | 93-7977 | 1 | Seal |
| 3 | 93-7978 | 1 | Rod-Pull |
| 4 | 93-7983 | 2 | Pin-Clevis |
| 5 | 93-7980 | 2 | Link |
| 6 | 93-7979 | 2 | Pin-Hitch |
| 7 | 93-7986 | 4 | Disc-Stationary |
| 8 | 104-4278 | 3 | Disc-Rotating |
| 9 | 93-7976 | 1 | Ring-Retaining |
| 10 | 93-7984 | 1 | Gasket |
| 11 | 104-4279 | 1 | Actuator-Rotating |
| 12 | 93-7987 | 3 | Spring-Extension |
| 13 | 93-7985 | 3 | Ball |
| 14 | 353-990 | 2 | Plug ASM |
| 14:1 | 237-78 | 1 | O-Ring |



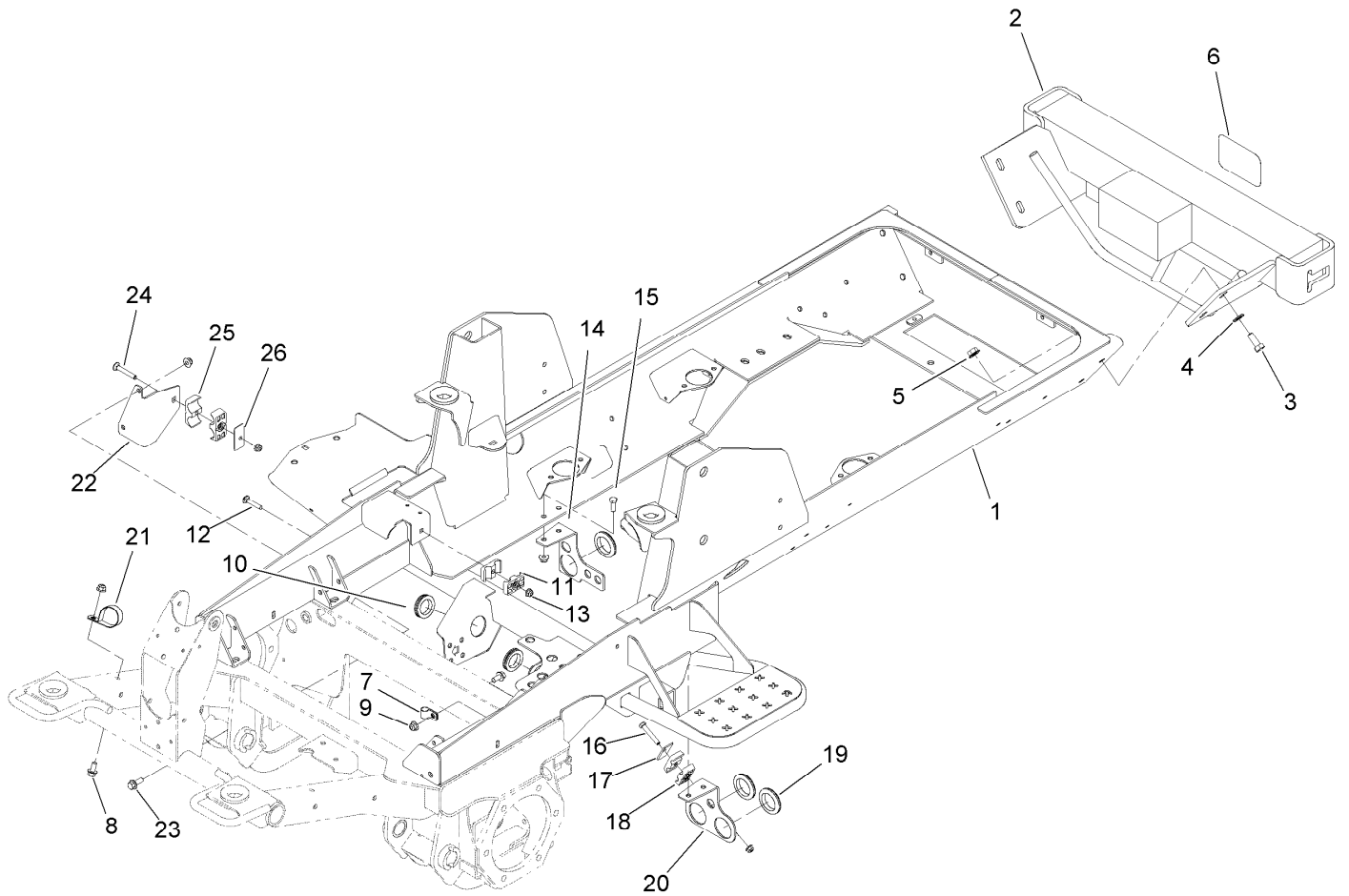
RH Brake Assembly No. 100-3069-03

| <i>Ref.</i> | <i>Part Number</i> | <i>Qty.</i> | <i>Description</i> |
|-------------|--------------------|-------------|--------------------|
| 2 | 93-7977 | 1 | Seal |
| 3 | 93-7978 | 1 | Rod-Pull |
| 4 | 93-7983 | 2 | Pin-Clevis |
| 5 | 93-7980 | 2 | Link |
| 6 | 93-7979 | 2 | Pin-Hitch |
| 7 | 93-7986 | 4 | Disc-Stationary |
| 8 | 104-4278 | 3 | Disc-Rotating |
| 9 | 93-7976 | 1 | Ring-Retaining |
| 10 | 93-7984 | 1 | Gasket |
| 11 | 104-4280 | 1 | Actuator-Rotating |
| 12 | 93-7987 | 3 | Spring-Extension |
| 13 | 93-7985 | 3 | Ball |
| 14 | 353-990 | 2 | Plug ASM |
| 14:1 | 237-78 | 1 | O-Ring |



Roll-Over Protection System, Rear Cover and Battery Assembly

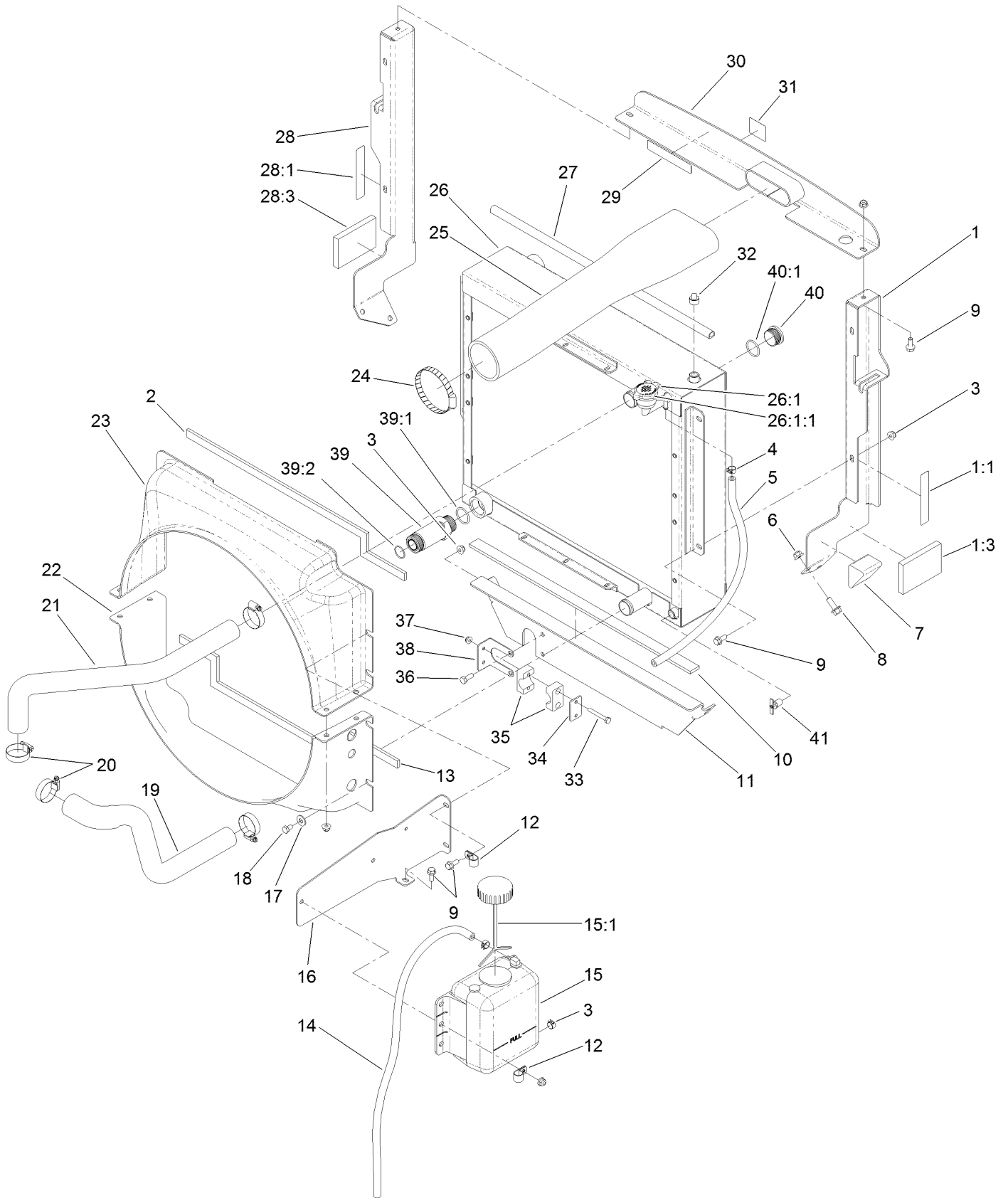
| Ref. | Part Number | Qty. | Description | Ref. | Part Number | Qty. | Description |
|------|-------------|------|-----------------------|------|-------------|------|------------------------|
| 1 | 105-0777 | 2 | Strip-Foam | 18 | 104-8301 | 5 | Nut-HF, NI |
| 2 | 105-0778 | 2 | Strip-Foam | 20 | 32104-95 | 2 | Screw-HWH |
| 3 | 104-2287-03 | 1 | Cover-Frame | 21 | 2412-72 | 2 | Clip-Closed, Insulated |
| 4 | 3256-3 | 2 | Washer-Flat | 22 | 121-1638 | 1 | Tube-Vent |
| 5 | 32104-6 | 2 | Screw-HH, TAP | 23 | 61-2220 | 2 | Spacer |
| 6 | 121-1658 | 4 | Screw-HH | 24 | 121-1604 | 2 | Bumper-Rubber |
| 7 | 3256-27 | 4 | Washer-Flat | 25 | 121-1632-03 | 1 | ROPS-Lower, RH |
| 8 | 120-4118-03 | 1 | Plate-Mounting, Valve | 26 | 121-1634-03 | 1 | ROPS-Lower, LH |
| 9 | 63-9750 | 4 | Mount | 27 | 121-1660 | 2 | Spacer |
| 10 | 1-303352 | 4 | Washer-Spindle | 28 | 121-1642 | 1 | ROPS-Upper |
| 11 | 63-8410 | 4 | Washer | 28:2 | 120-8947 | 1 | Decal-Danger, ROPS |
| 12 | 33115-035 | 4 | Screw-HH | 29 | 121-1629 | 2 | ROPS Fold Pin ASM |
| 13 | 3230-23 | 2 | Screw-CARR | 30 | 3234-41 | 2 | Screw-HHF |
| 14 | 121-1512-03 | 1 | Shield-Battery | 31 | 325-35 | 2 | Screw-HH |
| 15 | 104-8300 | 2 | Nut-HF, NI | 32 | 3296-23 | 2 | Nut-Lock, NI |
| 16 | 3231-5 | 1 | Screw-CARR | 33 | 3256-6 | 4 | Washer-Flat |
| 17 | 66-2490 | 1 | Retainer-Battery | 34 | 106-0877 | 2 | Spacer-Shield |



Frame and Bumper Assembly

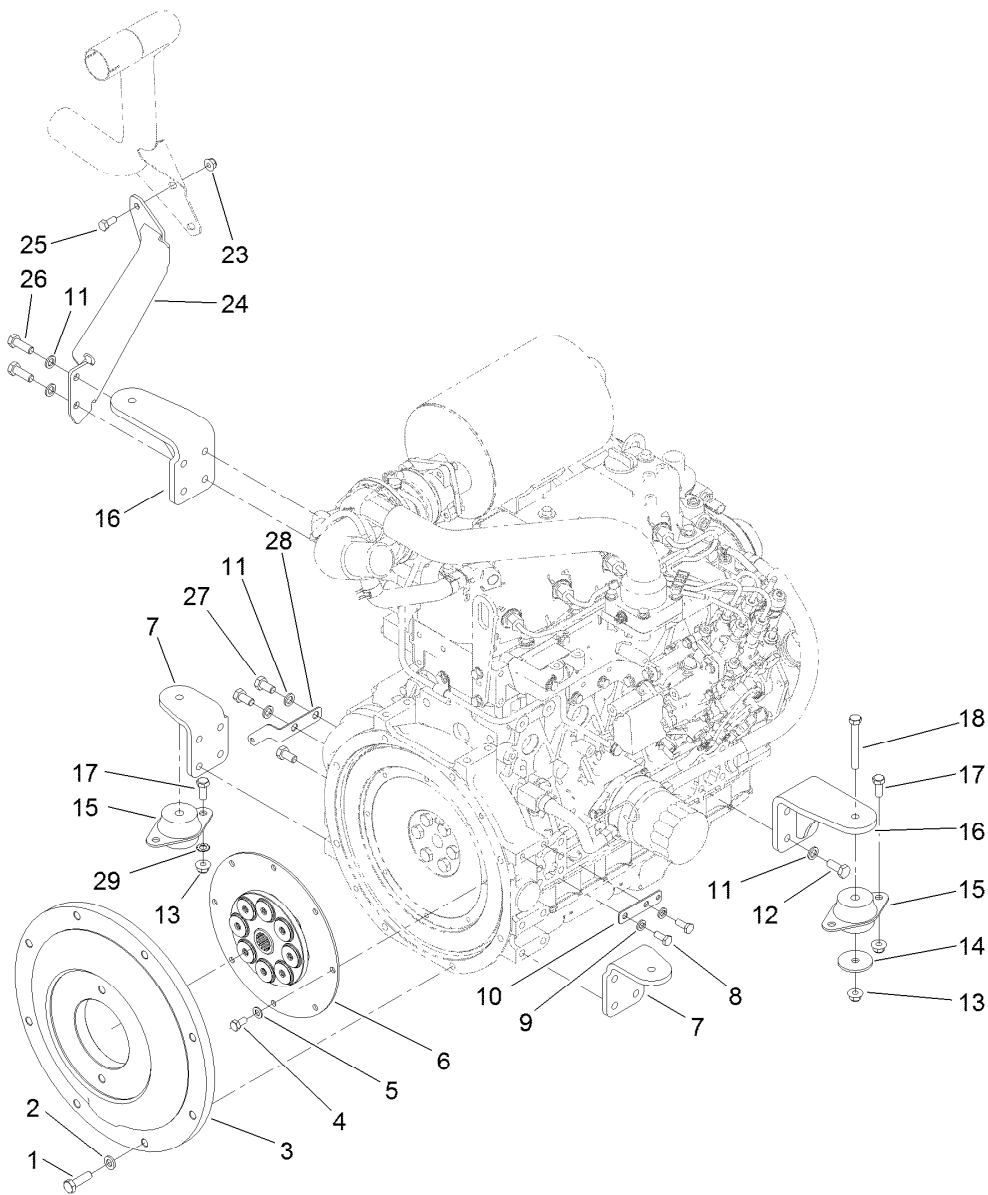
| <i>Ref.</i> | <i>Part Number</i> | <i>Qty.</i> | <i>Description</i> | <i>Ref.</i> | <i>Part Number</i> | <i>Qty.</i> | <i>Description</i> |
|-------------|--------------------|-------------|--------------------|-------------|--------------------|-------------|----------------------------|
| 1 | 120-4110-03 | 1 | Frame | 14 | 121-1508-03 | 1 | Bracket-Bulkhead |
| 2 | 106-4278-03 | 1 | Bumper | 15 | 323-6 | 4 | Screw-HH |
| 3 | 325-5 | 4 | Screw-HH | 16 | 322-10 | 1 | Screw-HH |
| 4 | 3256-26 | 4 | Washer-Flat | 17 | 69-9760 | 1 | Coverplate |
| 5 | 32128-23 | 4 | Nut-HF | 18 | 56-7976 | 2 | Clamp-Tube |
| 6 | 105-8278 | 1 | Decal | 19 | 240-2 | 3 | Grommet-Rubber |
| 7 | 2412-138 | 1 | R-Clamp | 20 | 121-1481-03 | 1 | Plate-Mount, Bulkhead (LH) |
| 8 | 3234-1 | 2 | Screw-HHF | 21 | 2412-147 | 1 | Clamp-R |
| 9 | 104-8301 | 8 | Nut-HF, NI | 22 | 120-9086-03 | 1 | Plate-Mount, Tube |
| 10 | 240-7 | 2 | Grommet-Rubber | 23 | 3234-11 | 2 | Screw-HHF |
| 11 | 56-7971 | 2 | Clamp-Tube | 24 | 3230-7 | 1 | Bolt-CARR |
| 12 | 3230-5 | 1 | Screw-CARR | 25 | 56-7974 | 2 | Clamp-Tube |
| 13 | 104-8300 | 3 | Nut-HF, NI | 26 | 69-9761 | 1 | Plate-Cover |

Radiator and Fan Assembly



Radiator and Fan Assembly (continued)

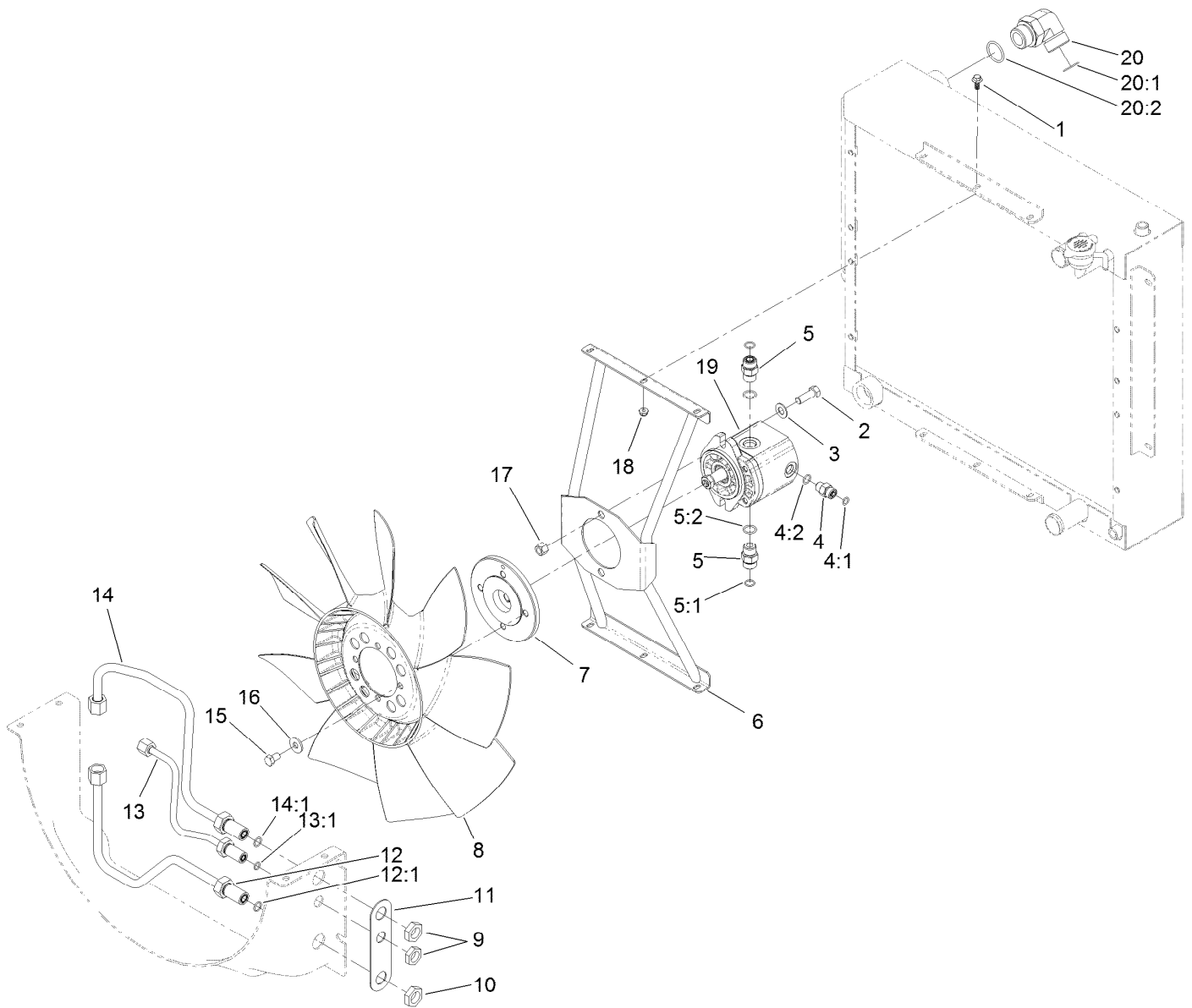
| <i>Ref.</i> | <i>Part Number</i> | <i>Qty.</i> | <i>Description</i> | <i>Ref.</i> | <i>Part Number</i> | <i>Qty.</i> | <i>Description</i> |
|-------------|--------------------|-------------|-------------------------|-------------|--------------------|-------------|-------------------------|
| 1 | 121-1479 | 1 | LH Radiator Support ASM | 24 | 2412-110 | 1 | Clamp-Band/Screw |
| 1:1 | 93-7272 | 1 | Decal-Warning | 25 | 121-1474 | 1 | Hose-Inlet, Air Cleaner |
| 1:3 | 100-2196 | 1 | Pad-Foam | 26 | 121-3080 | 1 | Radiator/Oil Cooler |
| 2 | 121-1684 | 1 | Foam-Radiator | 26:1 | 115-7766 | 1 | Cap-Radiator |
| 3 | 104-8300 | 12 | Nut-HF, NI | 26:1:1 | 106-6755 | 1 | Decal-Cap, Radiator |
| 4 | 92-2379 | 3 | Clamp-Hose | 27 | 114-3828 | 1 | Seal-Bulb |
| 5 | 110-4112 | 1 | Hose-Fuel | 28 | 121-1478 | 1 | RH Radiator Support ASM |
| 6 | 104-8301 | 6 | Nut-HF, NI | 28:1 | 93-7272 | 1 | Decal-Warning |
| 7 | 93-5954 | 2 | Plug-Foam | 28:3 | 100-2196 | 1 | Pad-Foam |
| 8 | 3234-11 | 6 | Screw-HHF | 29 | 93-7272 | 1 | Decal-Warning |
| 9 | 3234-47 | 13 | Screw-HHF | 30 | 120-9025-03 | 1 | Bracket-Intake |
| 10 | 104-2226 | 1 | Strip-Foam | 31 | 93-7275 | 1 | Decal-Fluid, Starting |
| 11 | 120-8968-03 | 1 | Bracket-Hose | 32 | 281-13 | 1 | Plug-Pipe |
| 12 | 92-6064 | 2 | Clamp-R | 33 | 321-11 | 2 | Screw-HH |
| 13 | 121-1685 | 1 | Foam-Radiator, Lower | 34 | 114-4902 | 1 | Plate-Cover |
| 14 | 110-9662 | 1 | Hose-Fuel | 35 | 114-4901 | 1 | Clamp |
| 15 | 120-5571 | 1 | Coolant Reservoir ASM | 36 | 322-4 | 2 | Screw-HH |
| 15:1 | 87-7050 | 1 | Cap-Reservoir | 37 | 104-7201 | 2 | Nut-HF |
| 16 | 120-8921-03 | 1 | Mount-Tank | 38 | 120-8984 | 1 | Bracket-Clamp |
| 17 | 3256-3 | 7 | Washer-Flat | 39 | 100-5565 | 1 | Fitting-STR |
| 18 | 322-1 | 6 | Screw-HH | 39:1 | 237-146 | 1 | O-Ring |
| 19 | 121-1477 | 1 | Hose-Radiator, Lower | 39:2 | 340-65 | 1 | O-Ring |
| 20 | 2412-111 | 4 | Clamp | 40 | 106-2030 | 1 | Plug-Hex, Hollow |
| 21 | 121-1476 | 1 | Hose-Radiator, Upper | 40:1 | 237-146 | 1 | O-Ring |
| 22 | 121-1517 | 1 | Shroud-Radiator, Lower | 41 | 304-46 | 1 | Draincock |
| 23 | 121-1515 | 1 | Shroud-Radiator, Upper | | | | |



Flywheel, Motor Mount and Compressor Assembly

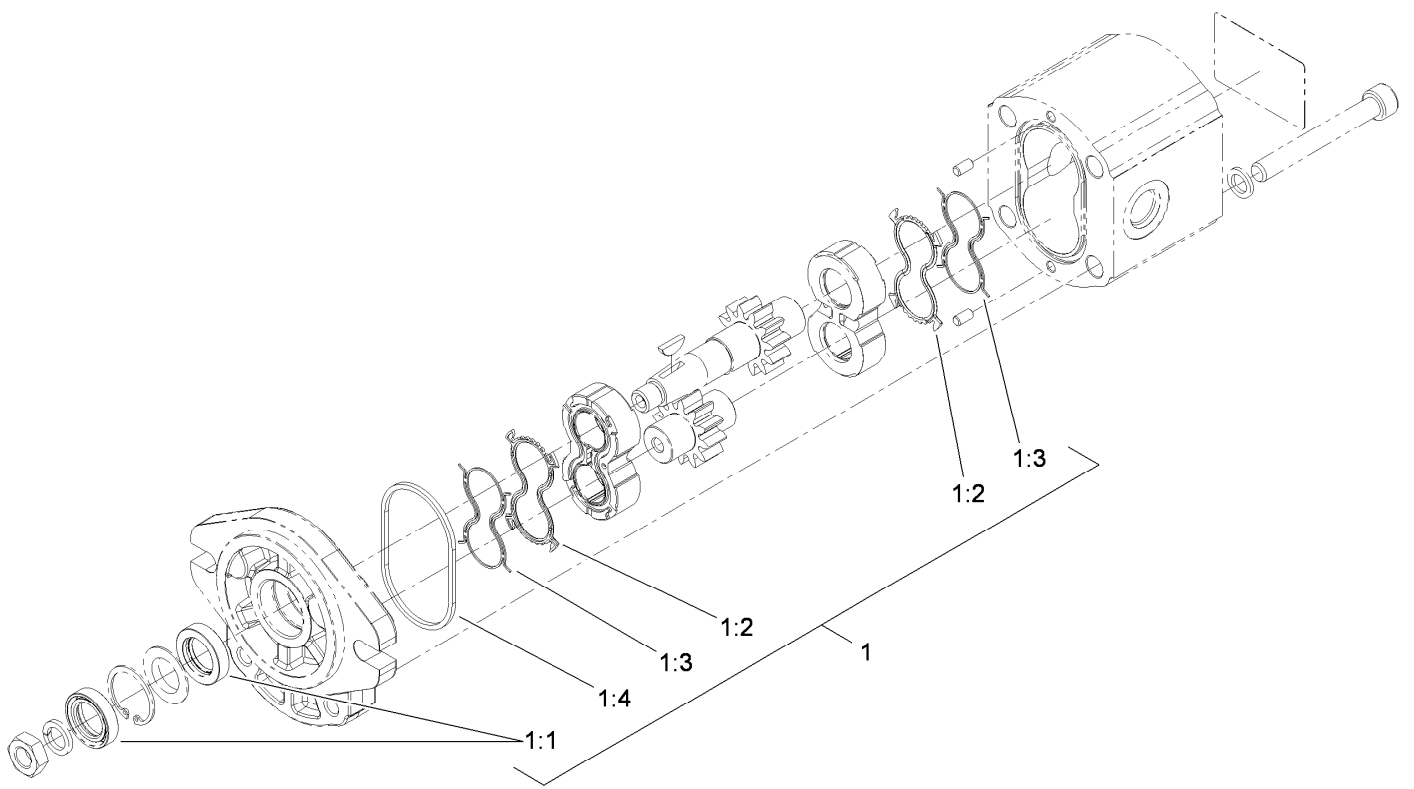
| <i>Ref.</i> | <i>Part Number</i> | <i>Qty.</i> | <i>Description</i> |
|-------------|--------------------|-------------|---------------------------|
| 1 | 117-5663 | 8 | Screw-HH |
| 2 | 107-1413 | 8 | Washer-Hardened |
| 3 | 115-6657-03 | 1 | Plate-Flywheel |
| 4 | 99-5132 | 8 | Bolt |
| 5 | 87-7510 | 8 | Washer-Flat |
| 6 | 120-4176 | 1 | Coupling-Spring, Flywheel |
| 7 | 120-4066-03 | 2 | Mount-Motor, Front |
| 8 | 33114-020 | 2 | Screw-HH |
| 9 | 3253-4 | 2 | Washer-Lock |
| 10 | 121-5636 | 1 | Tab-Harness |
| 11 | 48-9590 | 18 | Washer-Lock |
| 12 | 33115-025 | 14 | Screw-HH |
| 13 | 104-8301 | 12 | Nut-HF, NI |

| <i>Ref.</i> | <i>Part Number</i> | <i>Qty.</i> | <i>Description</i> |
|-------------|--------------------|-------------|--------------------|
| 14 | 63-7400 | 4 | Washer-Rebound |
| 15 | 53-9682 | 4 | Mount-Engine |
| 16 | 120-4068-03 | 2 | Mount-Motor |
| 17 | 323-5 | 8 | Screw-HH |
| 18 | 323-14 | 4 | Screw-HH |
| 23 | 104-8300 | 2 | Nut-HF, NI |
| 24 | 121-1622-03 | 1 | Bracket-Support |
| 25 | 322-3 | 2 | Screw-HH |
| 26 | 33115-030 | 2 | Screw-HH |
| 27 | 33115-020 | 3 | Screw-HH |
| 28 | 121-6580 | 1 | Bracket-Harness |
| 29 | 3255-9 | 1 | Washer-Lock |



Fan Mounting and Hardlines Assembly

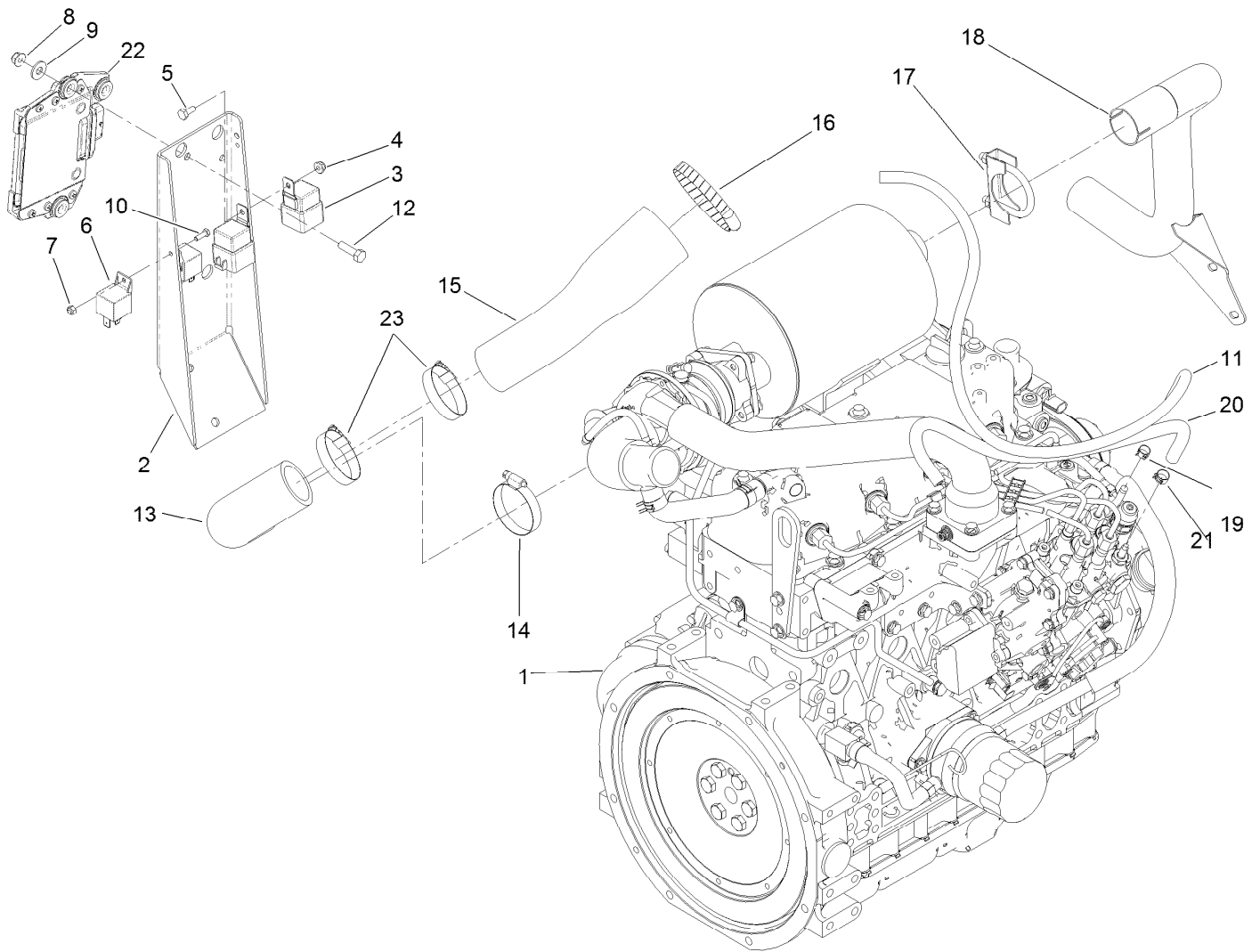
| <i>Ref.</i> | <i>Part Number</i> | <i>Qty.</i> | <i>Description</i> | <i>Ref.</i> | <i>Part Number</i> | <i>Qty.</i> | <i>Description</i> |
|-------------|--------------------|-------------|--------------------|-------------|--------------------|-------------|-----------------------|
| 1 | 99-6810 | 6 | Screw-HHF | 12 | 121-1554 | 1 | Tube-HYD |
| 2 | 324-5 | 2 | Screw-HH | 12:1 | 237-30 | 1 | O-Ring |
| 3 | 3256-25 | 2 | Washer-Flat | 13 | 121-1555 | 1 | Tube ASM |
| 4 | 340-2 | 1 | Fitting-Straight | 13:1 | 237-22 | 1 | O-Ring |
| 4:1 | 237-22 | 1 | O-Ring | 14 | 121-1553 | 1 | Tube-HYD |
| 4:2 | 237-42 | 1 | O-Ring | 14:1 | 237-30 | 1 | O-Ring |
| 5 | 340-4 | 2 | Fitting-STR | 15 | 115-8486 | 4 | Screw-HH |
| 5:1 | 237-30 | 1 | O-Ring | 16 | 80-6990 | 4 | Washer-Hardened |
| 5:2 | 237-79 | 1 | O-Ring | 17 | 3296-48 | 2 | Nut-Lock, NI |
| 6 | 120-8935-03 | 1 | Bracket-Fan | 18 | 104-7201 | 6 | Nut-HF |
| 7 | 117-2364 | 1 | Hub-Fan | 19 | 117-4769 | 1 | HYD Motor ASM |
| 8 | 114-3825 | 1 | Fan | 20 | 340-129 | 1 | Fitting-Elbow, 90 DEG |
| 9 | 340-70 | 1 | Nut-Lock | 20:1 | 237-146 | 1 | O-Ring |
| 10 | 340-127 | 2 | Nut-Bulkhead | 20:2 | 340-65 | 1 | O-Ring |
| 11 | 121-1518 | 1 | Shim-Support | | | | |



Hydraulic Motor Assembly No. 117-4769

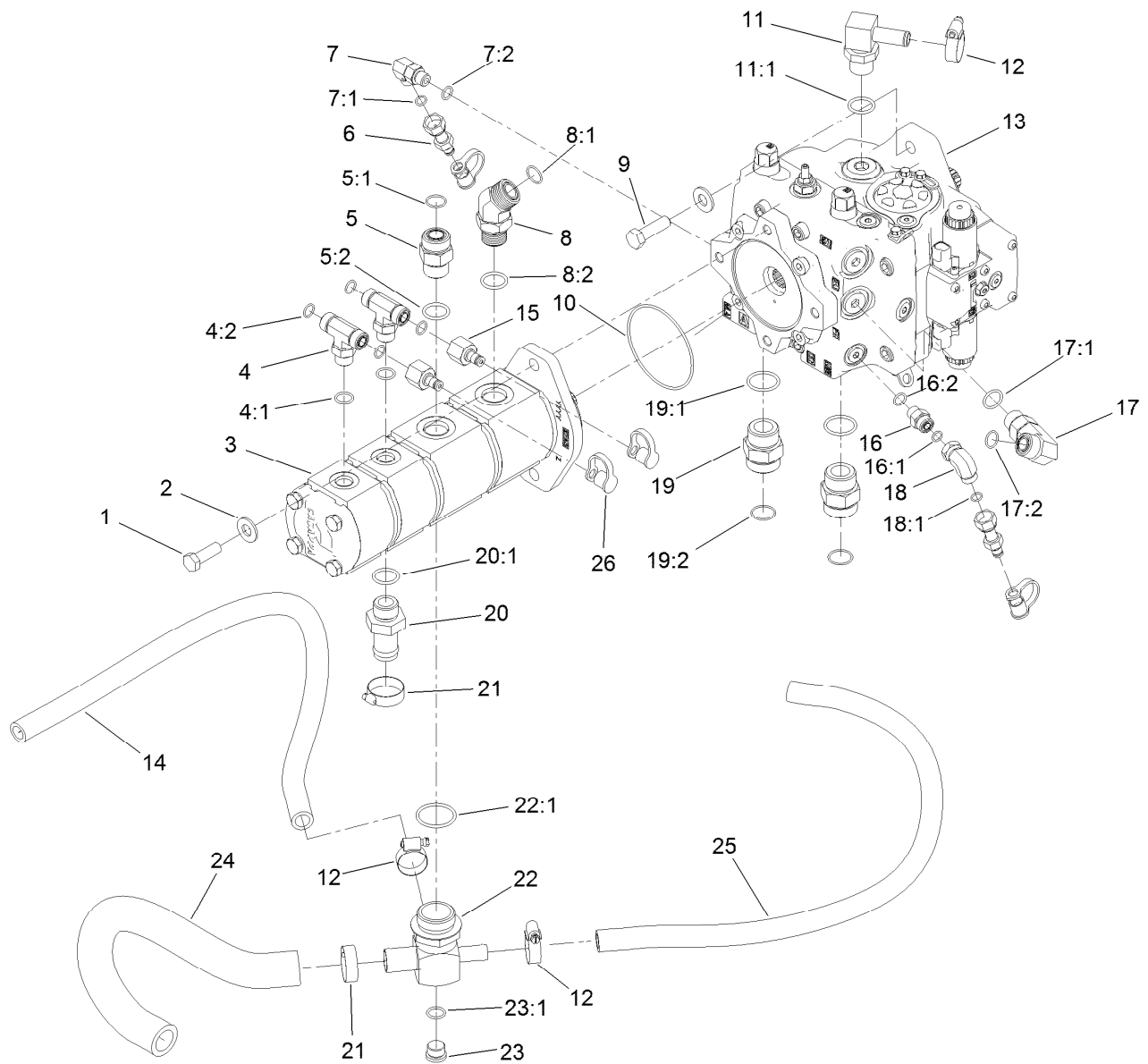
| <i>Ref.</i> | <i>Part Number</i> | <i>Qty.</i> | <i>Description</i> |
|-------------|--------------------|-------------|-------------------------|
| 1 | 115-4110 | 1 | Seal Kit |
| 1:1 | | 2 | Seal-Shaft ● |
| 1:2 | | 2 | Seal-Plate, Balancing ● |
| 1:3 | | 2 | Seal-Anti Extrusion ● |
| 1:4 | | 2 | O-Ring (Housing) ● |

● Not serviced separately



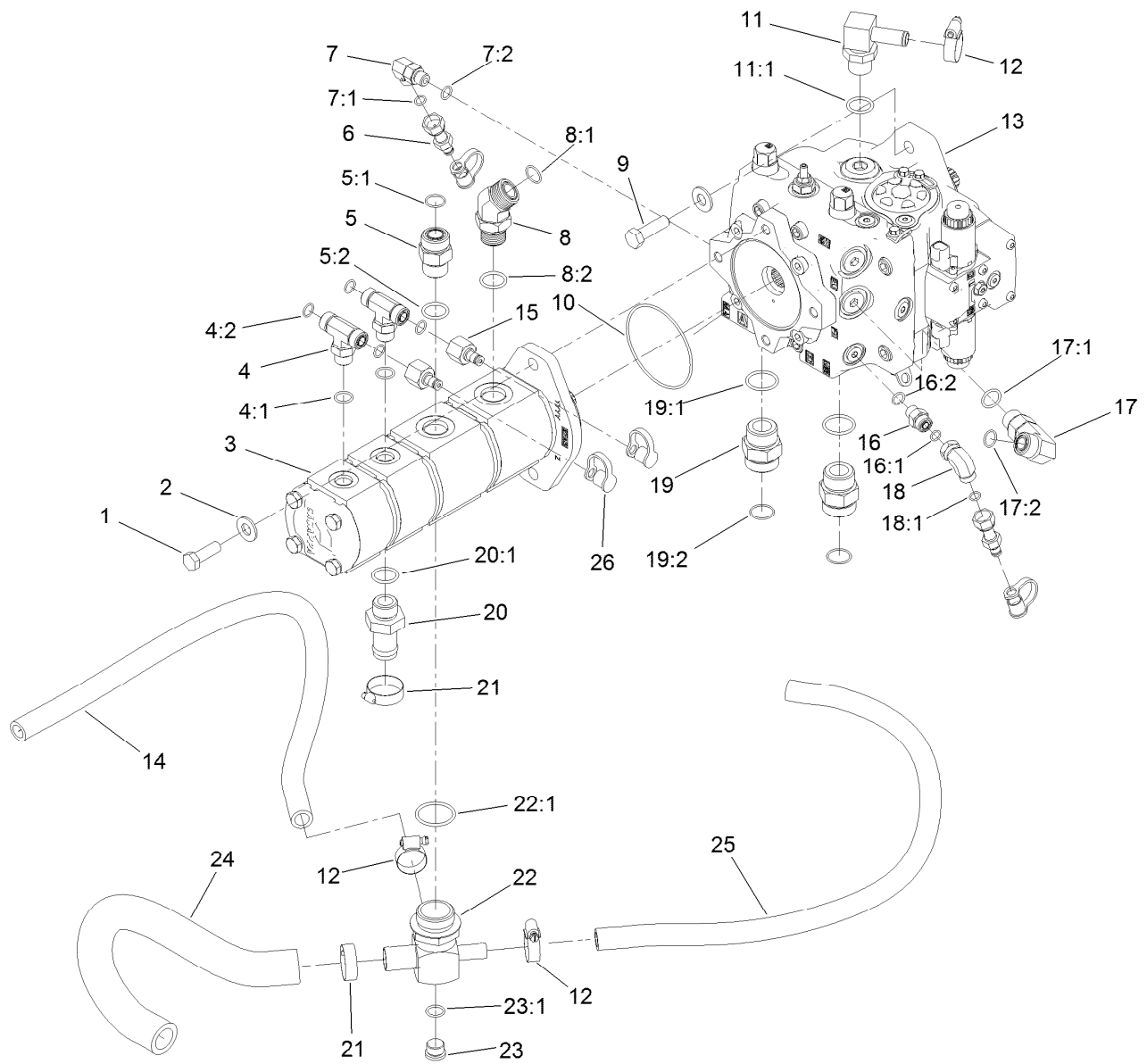
Engine, Intake and Exhaust Assembly

| <i>Ref.</i> | <i>Part Number</i> | <i>Qty.</i> | <i>Description</i> | <i>Ref.</i> | <i>Part Number</i> | <i>Qty.</i> | <i>Description</i> |
|-------------|--------------------|-------------|--------------------|-------------|--------------------|-------------|--------------------------|
| 1 | 120-4112 | 1 | Engine-Yanmar, T4l | 13 | 121-1589 | 1 | Hose-Outlet, Air Cleaner |
| 2 | 120-8916-03 | 1 | Mount-Controller | 14 | 2412-130 | 1 | Clamp-Hose |
| 3 | 99-7430 | 2 | Relay | 15 | 121-1590 | 1 | Hose-Outlet, Air Cleaner |
| 4 | 104-7201 | 1 | Nut-HF | 16 | 2412-110 | 1 | Clamp-Band/Screw |
| 5 | 321-3 | 1 | Screw-HH | 17 | 18-2130 | 1 | Clamp |
| 6 | 99-7435 | 2 | Relay-Power | 18 | 121-1616 | 1 | Pipe-Exhaust |
| 7 | 3296-2 | 1 | Nut-Lock, NI | 19 | 2412-98 | 1 | Clamp-Hose |
| 8 | 104-8300 | 3 | Nut-HF, NI | 20 | 108-3284 | 1 | Hose-Fuel |
| 9 | 3256-3 | 3 | Washer-Flat | 21 | 92-2379 | 1 | Clamp-Hose |
| 10 | 3290-134 | 1 | Screw | 22 | 121-1591 | 1 | Controller-Engine |
| 11 | 110-5702 | 1 | Hose-Fuel | 23 | 2412-130 | 2 | Clamp-Hose |
| 12 | 322-16 | 3 | Screw-HH | | | | |



Piston Pump and Gear Pump Assembly

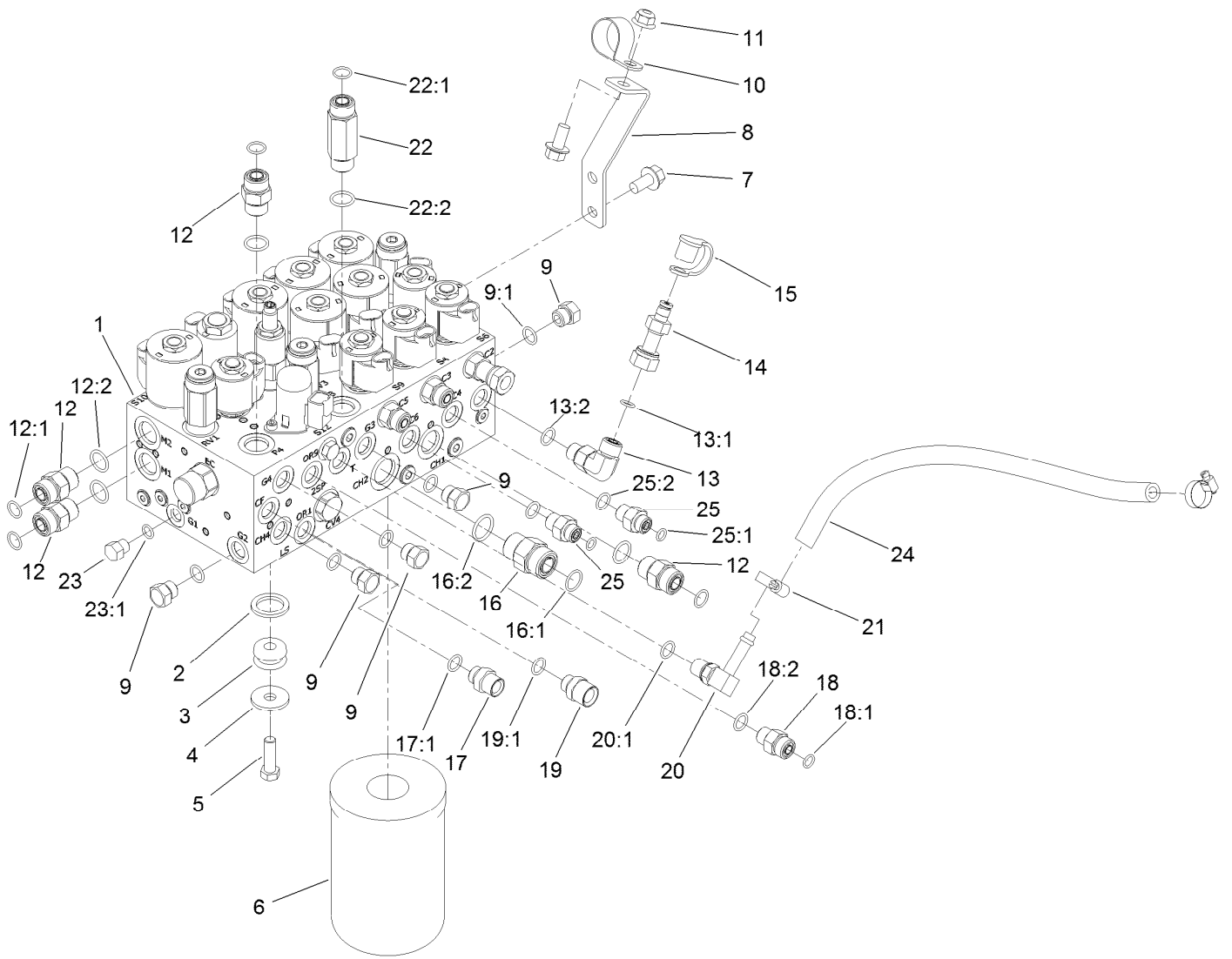
| Ref. | Part Number | Qty. | Description | Ref. | Part Number | Qty. | Description |
|------|-------------|------|-----------------------|------|-------------|------|---------------------|
| 1 | 121-1525 | 2 | Screw-HH | 13 | 120-9059 | 1 | Piston Pump ASM |
| 2 | 87-7270 | 4 | Washer-Thrust | 14 | 121-1647 | 1 | Hose-HYD |
| 3 | 120-8906 | 1 | Pump-Gear, 4-Section | 15 | 100-5616 | 2 | Fitting |
| 4 | 340-157 | 2 | Fitting-HYD, Tee | 16 | 340-2 | 1 | Fitting-Straight |
| 4:1 | 237-79 | 1 | O-Ring | 16:1 | 237-22 | 1 | O-Ring |
| 4:2 | 237-30 | 2 | O-Ring | 16:2 | 237-42 | 1 | O-Ring |
| 5 | 340-9 | 1 | Fitting-STR | 17 | 121-1492 | 1 | Fitting-90 |
| 5:1 | 237-58 | 1 | O-Ring | 17:1 | 237-80 | 1 | O-Ring |
| 5:2 | 237-81 | 1 | O-Ring | 17:2 | 237-65 | 1 | O-Ring |
| 6 | 86-5480 | 2 | Nipple-Test | 18 | 340-159 | 1 | Fitting-HYD, 90 DEG |
| 7 | 340-77 | 1 | Fitting-Elbow, 90 DEG | 18:1 | 237-22 | 2 | O-Ring |
| 7:1 | 237-22 | 1 | O-Ring | 19 | 104-3797 | 2 | Fitting-Straight |
| 7:2 | 237-42 | 1 | O-Ring | 19:1 | 237-146 | 1 | O-Ring |
| 8 | 100-5530 | 1 | Fitting-45 DEG | 19:2 | 340-65 | 1 | O-Ring |
| 8:1 | 237-58 | 1 | O-Ring | 20 | 99-3017 | 1 | Fitting |
| 8:2 | 237-81 | 1 | O-Ring | 20:1 | 237-81 | 1 | O-Ring |
| 9 | 121-1524 | 2 | Screw-HH | 21 | 2412-34 | 2 | Clamp-Hose |
| 10 | 107-9447 | 1 | O-Ring | 22 | 121-1682 | 1 | Fitting-Tee |
| 11 | 117-3681 | 1 | Fitting-HYD, 90 DEG | 22:1 | 237-101 | 1 | O-Ring |
| 11:1 | 237-81 | 1 | O-Ring | 23 | 353-988 | 1 | Plug-Hex |
| 12 | 2412-129 | 3 | Clamp-Hose | 23:1 | 237-79 | 1 | O-Ring |



Piston Pump and Gear Pump Assembly (continued)

| Ref. | Part Number | Qty. | Description |
|------|-------------|------|--------------|
| 24 | 120-8815 | 1 | Hose-Suction |

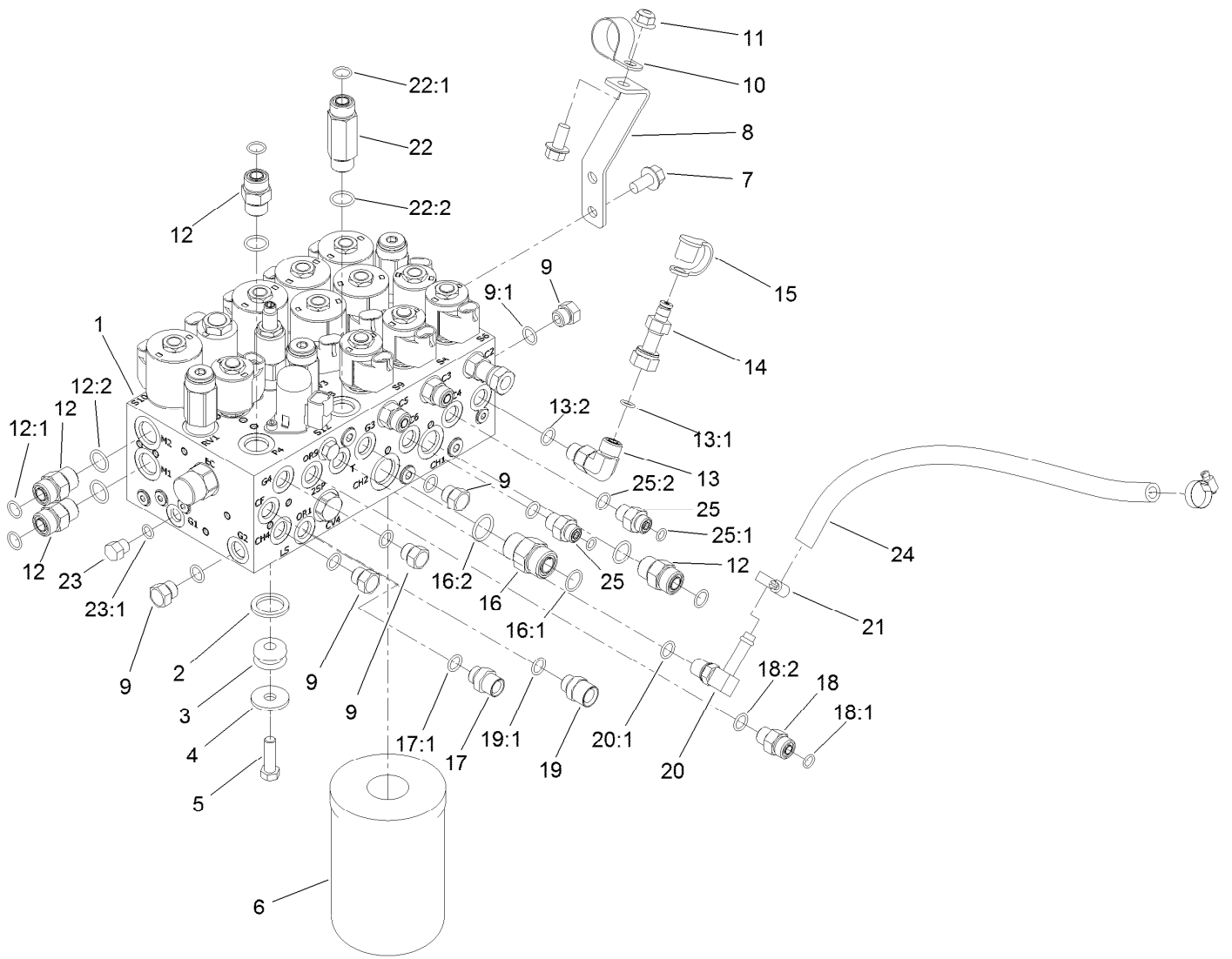
| Ref. | Part Number | Qty. | Description |
|------|-------------|------|-------------|
| 25 | 120-9050 | 1 | Hose-HYD |
| 26 | 354-79 | 4 | Cap-Dust |



Combination Manifold Assembly

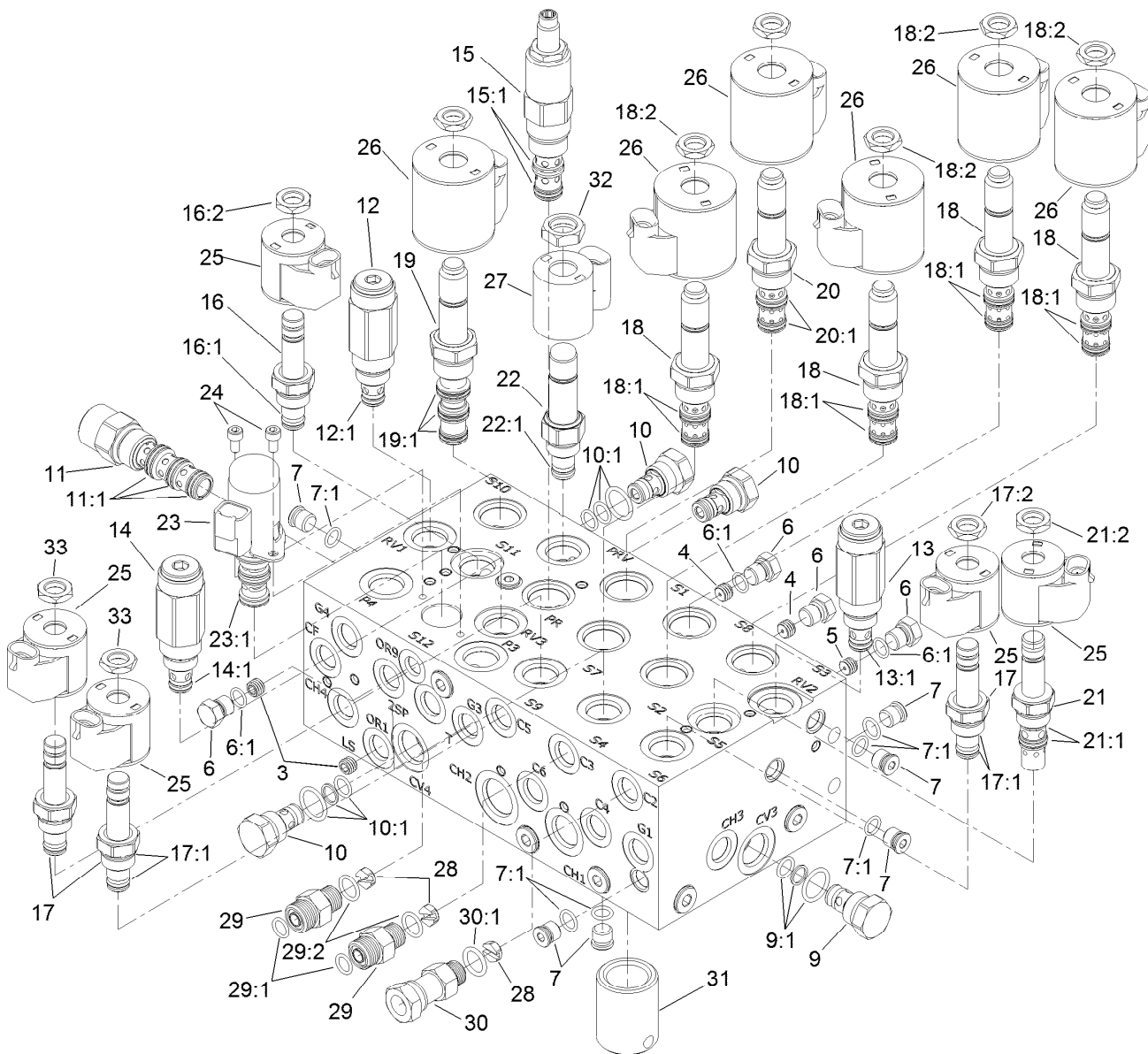
| Ref. | Part Number | Qty. | Description |
|------|-------------|------|------------------------------|
| 1 | 120-8842 | 1 | HYD Combination Manifold ASM |
| 2 | 92-2650 | 3 | Spacer-Clutch |
| 3 | 63-9750 | 3 | Mount |
| 4 | 63-8410 | 3 | Washer |
| 5 | 323-7 | 3 | Screw-HH |
| 6 | 75-1310 | 1 | Filter-HYD |
| 7 | 3234-1 | 3 | Screw-HHF |
| 8 | 121-1542 | 1 | Plate-Mount, Hose |
| 9 | 353-508 | 5 | Plug-HH |
| 9:1 | 237-42 | 1 | O-Ring |
| 10 | 2412-126 | 1 | R-Clamp |
| 11 | 104-8301 | 1 | Nut-HF, NI |
| 12 | 340-4 | 4 | Fitting-STR |
| 12:1 | 237-30 | 1 | O-Ring |
| 12:2 | 237-79 | 1 | O-Ring |
| 13 | 340-77 | 1 | Fitting-Elbow, 90 DEG |
| 13:1 | 237-22 | 1 | O-Ring |
| 13:2 | 237-42 | 1 | O-Ring |
| 14 | 86-5480 | 1 | Nipple-Test |
| 15 | 354-79 | 1 | Cap-Dust |

| Ref. | Part Number | Qty. | Description |
|------|-------------|------|-------------------|
| 16 | 340-7 | 1 | Fitting-Straight |
| 16:1 | 237-65 | 1 | O-Ring |
| 16:2 | 237-80 | 1 | O-Ring |
| 17 | 120-8975 | 1 | Fitting-Straight |
| 17:1 | 237-42 | 1 | O-Ring |
| 18 | 340-2 | 1 | Fitting-Straight |
| 18:1 | 237-22 | 1 | O-Ring |
| 18:2 | 237-42 | 1 | O-Ring |
| 19 | 120-8979 | 1 | Fitting-Straight |
| 19:1 | 237-42 | 1 | O-Ring |
| 20 | 100-4887 | 1 | Fitting-Elbow, 90 |
| 20:1 | 237-42 | 1 | O-Ring |
| 21 | 2412-36 | 2 | Clamp-Hose |
| 22 | 119-4854 | 1 | Fitting-STR |
| 22:1 | 237-30 | 1 | O-Ring |
| 22:2 | 237-79 | 1 | O-Ring |
| 23 | 353-512 | 1 | Plug |
| 23:1 | 237-78 | 1 | O-Ring |
| 24 | 87-5730 | 1 | Hose |
| 25 | 340-1 | 2 | Fitting-Straight |



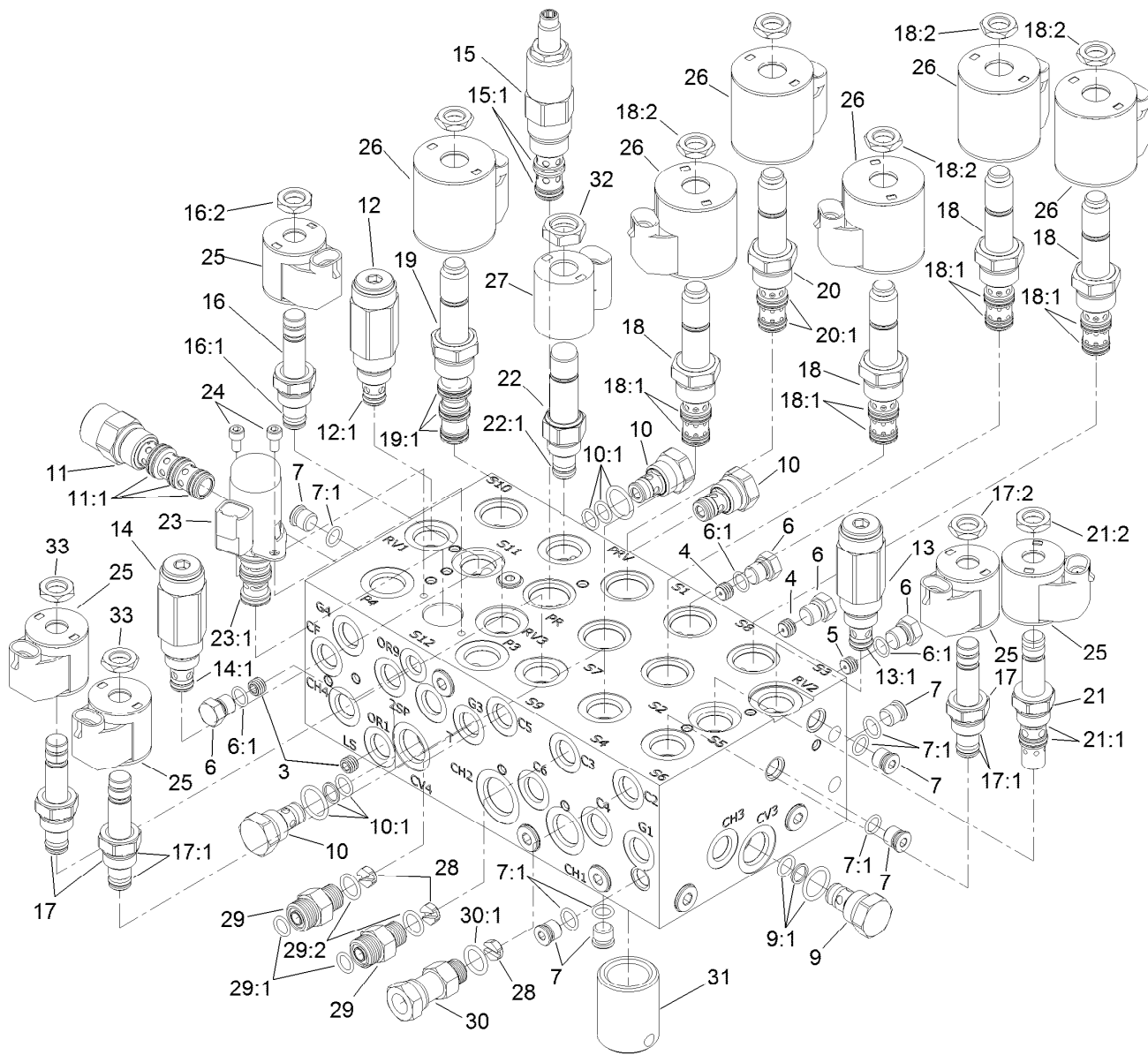
Combination Manifold Assembly (continued)

| <i>Ref.</i> | <i>Part Number</i> | <i>Qty.</i> | <i>Description</i> |
|-------------|--------------------|-------------|--------------------|
| 25:1 | 237-21 | 1 | O-Ring |
| 25:2 | 237-42 | 1 | O-Ring |



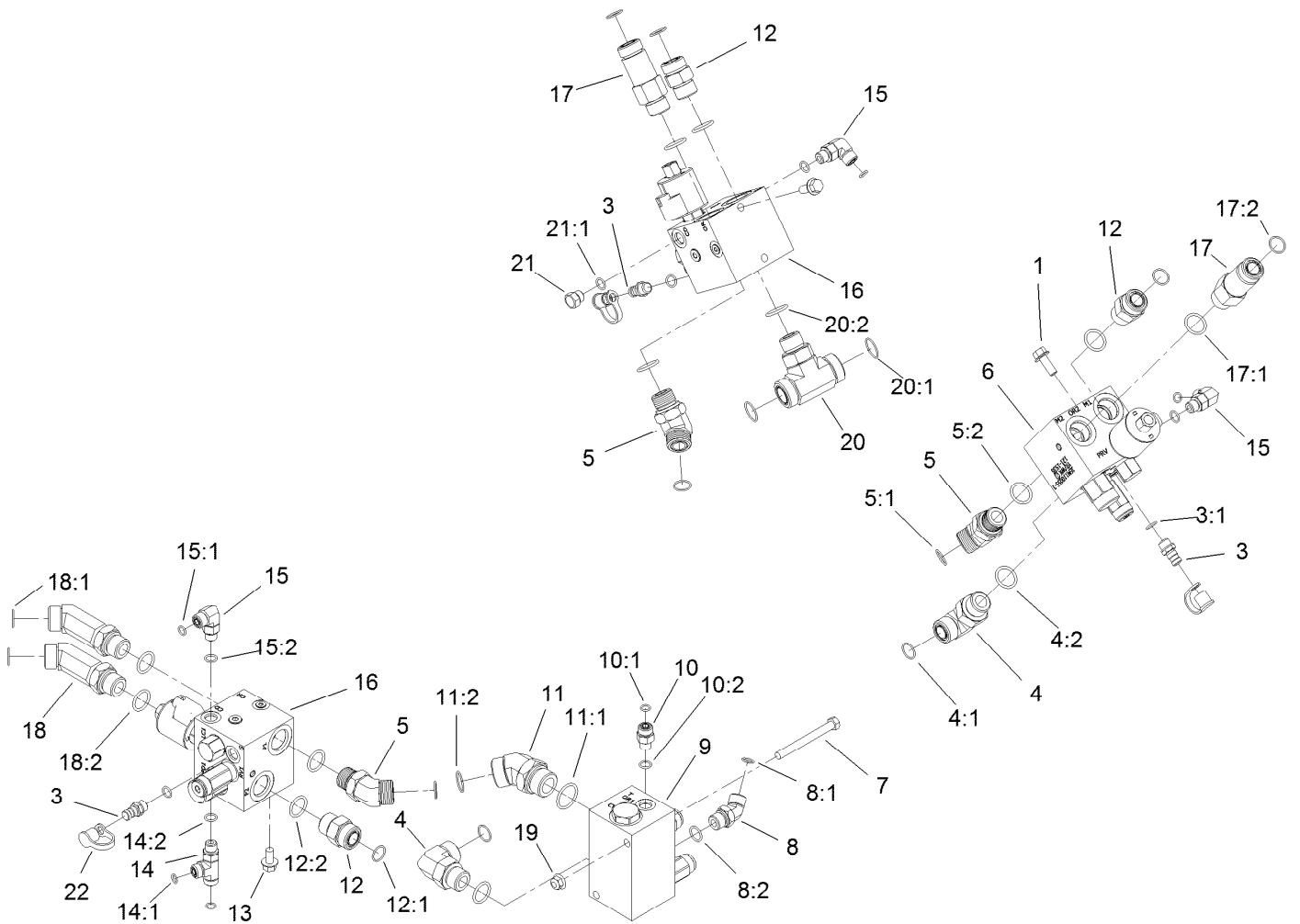
Combination Manifold Assembly No. 120-8842

| Ref. | Part Number | Qty. | Description | Ref. | Part Number | Qty. | Description |
|------|-------------|------|-----------------------------|------|-------------|------|-------------------------------|
| 3 | 110-5973 | 2 | Orifice-0.030 | 15:1 | 105-9154 | 1 | Seal Kit |
| 4 | 112-6538 | 2 | Orifice (.063 Inch) | 16 | 107-7516 | 1 | Solenoid Valve ASM |
| 5 | 110-8883 | 1 | Plug-Orifice (0.040) | 16:1 | 105-9156 | 1 | Seal Kit |
| 6 | 117-0115 | 4 | Plug | 16:2 | 110-2634 | 1 | Nut-Coil |
| 6:1 | 237-78 | 1 | O-Ring | 17 | 112-9206 | 3 | Solenoid Valve ASM |
| 7 | 353-990 | 14 | Plug ASM | 17:1 | 105-9156 | 1 | Seal Kit |
| 7:1 | 237-78 | 1 | O-Ring | 17:2 | 110-2634 | 1 | Nut-Coil |
| 9 | 114-2873 | 1 | Check Valve ASM | 18 | 115-5400 | 4 | Solenoid Valve ASM |
| 9:1 | 105-9156 | 1 | Seal Kit | 18:1 | 107-7813 | 1 | Seal Kit |
| 10 | 105-9321 | 3 | Check Valve ASM | 18:2 | 110-2634 | 1 | Nut-Coil |
| 10:1 | 105-9156 | 1 | Seal Kit | 19 | 115-3023 | 1 | Solenoid Valve ASM |
| 11 | 115-5409 | 1 | Compensator ASM | 19:1 | 110-8908 | 1 | Spool Valve Seal Kit |
| 11:1 | 110-8908 | 1 | Spool Valve Seal Kit | 20 | 125-7556 | 1 | Solenoid Valve ASM |
| 12 | 125-7560 | 1 | Relief Valve ASM | 20:1 | 107-7813 | 1 | Seal Kit |
| 12:1 | 105-9156 | 1 | Seal Kit | 21 | 115-5405 | 1 | Solenoid Valve ASM |
| 13 | 125-7559 | 1 | Relief Valve ASM | 21:1 | 115-5413 | 1 | Seal Kit |
| 13:1 | 105-9156 | 1 | Seal Kit | 21:2 | 110-2634 | 1 | Nut-Coil |
| 14 | 125-7558 | 1 | Relief Valve ASM | 22 | 125-7555 | 1 | Proportional Relief Valve ASM |
| 14:1 | 105-9156 | 1 | Seal Kit | 22:1 | 110-6316 | 1 | Seal Kit |
| 15 | 125-7557 | 1 | Pressure Reducing Valve ASM | 23 | 125-7554 | 1 | Valve-Solenoid |



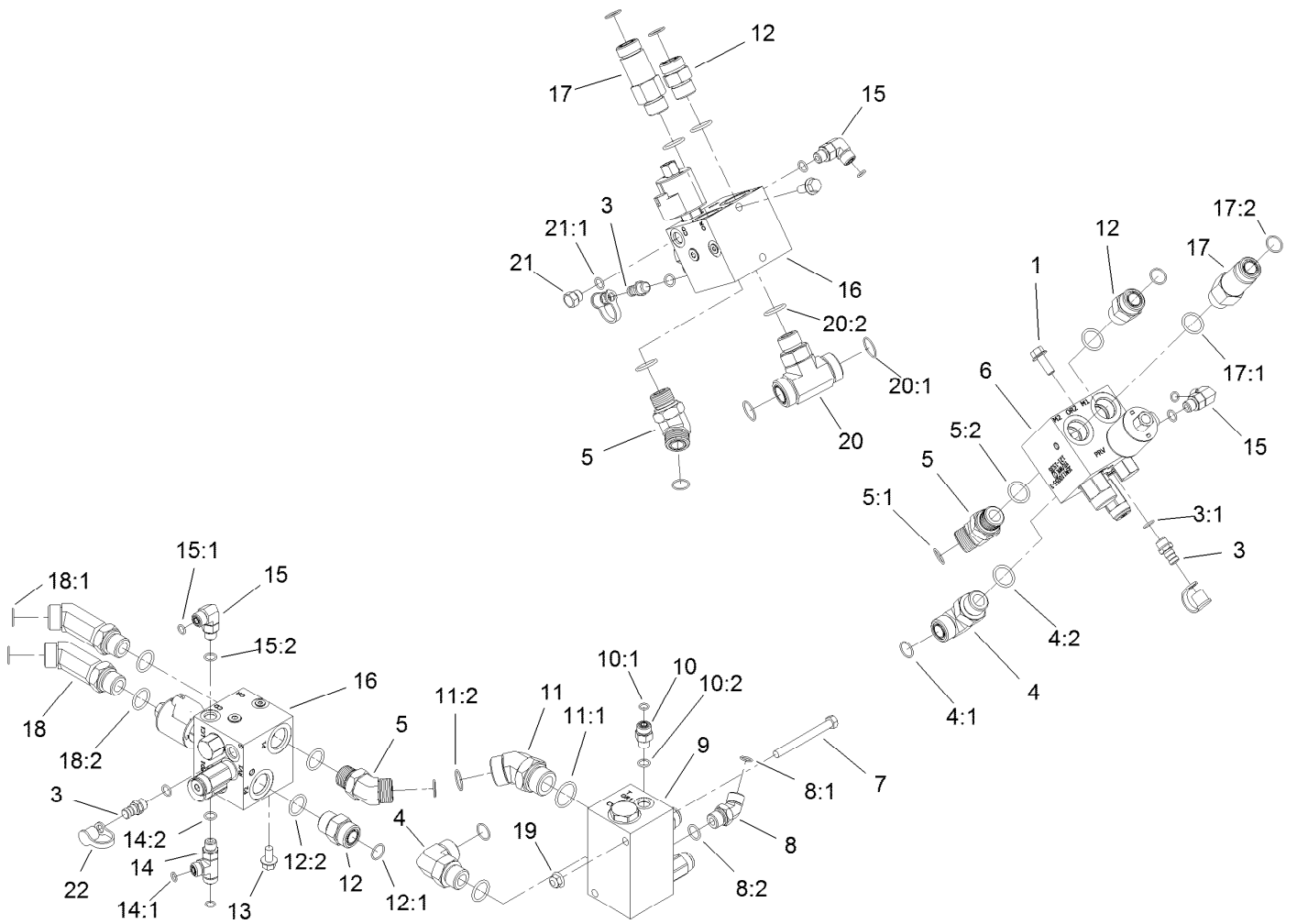
Combination Manifold Assembly No. 120-8842 (continued)

| <i>Ref.</i> | <i>Part Number</i> | <i>Qty.</i> | <i>Description</i> | <i>Ref.</i> | <i>Part Number</i> | <i>Qty.</i> | <i>Description</i> |
|-------------|--------------------|-------------|-------------------------|-------------|--------------------|-------------|----------------------------|
| 23:1 | 125-7561 | 1 | Seal Kit | 29:1 | 237-22 | 1 | O-Ring |
| 24 | 115-8733 | 2 | Screw-HSH | 29:2 | 237-42 | 1 | O-Ring |
| 25 | 110-0497 | 5 | Coil-Solenoid | 30 | 104-3779 | 1 | Connector-Swivel, Straight |
| 26 | 110-6344 | 6 | Coil-12V, Dc | 30:1 | 237-42 | 1 | O-Ring |
| 27 | 125-7553 | 1 | E-Coil, 12Vdc | 31 | 125-7551 | 1 | Nipple-Filter |
| 28 | 125-7552 | 3 | Orifice-Check, .070 DIA | 32 | 125-7550 | 1 | Nut-Coil |
| 29 | 340-2 | 2 | Fitting-Straight | 33 | 110-2634 | 11 | Nut-Coil |



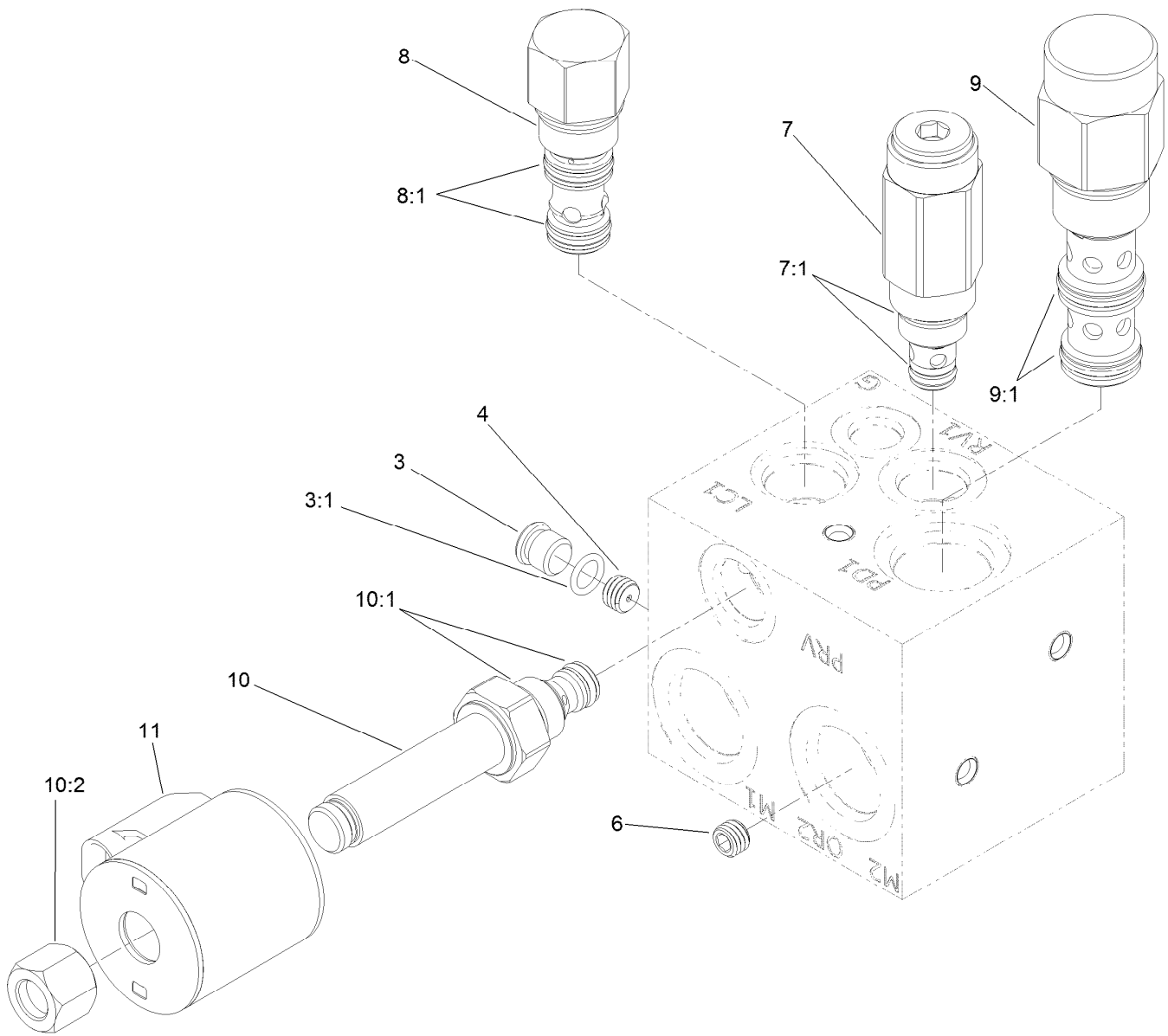
Manifold Block Assembly

| <i>Ref.</i> | <i>Part Number</i> | <i>Qty.</i> | <i>Description</i> | <i>Ref.</i> | <i>Part Number</i> | <i>Qty.</i> | <i>Description</i> |
|-------------|--------------------|-------------|-------------------------|-------------|--------------------|-------------|--------------------------------|
| 1 | 3234-11 | 4 | Screw-HHF | 12 | 340-9 | 3 | Fitting-STR |
| 3 | 59-7410 | 3 | Fitting-Diagnostic | 12:1 | 237-58 | 1 | O-Ring |
| 3:1 | 237-42 | 1 | O-Ring | 12:2 | 237-81 | 1 | O-Ring |
| 4 | 340-142 | 2 | Fitting-Elbow-90 | 13 | 3234-1 | 2 | Screw-HHF |
| 4:1 | 237-58 | 1 | O-Ring | 14 | 340-86 | 1 | Fitting-Tee |
| 4:2 | 237-81 | 1 | O-Ring | 14:1 | 237-22 | 2 | O-Ring |
| 5 | 100-5530 | 3 | Fitting-45 DEG | 14:2 | 237-42 | 1 | O-Ring |
| 5:1 | 237-58 | 1 | O-Ring | 15 | 340-77 | 3 | Fitting-Elbow, 90 DEG |
| 5:2 | 237-81 | 1 | O-Ring | 15:1 | 237-22 | 1 | O-Ring |
| 6 | 121-1536 | 1 | Manifold-PTO, Left | 15:2 | 237-42 | 1 | O-Ring |
| 7 | 323-42 | 2 | Screw-HH | 16 | 121-1537 | 2 | Manifold-PTO, Center And Right |
| 8 | 340-101 | 1 | Fitting-HYD, 45 DEG | 17 | 92-6058 | 2 | Fitting-STR |
| 8:1 | 237-30 | 1 | O-Ring | 17:1 | 237-81 | 1 | O-Ring |
| 8:2 | 237-79 | 1 | O-Ring | 17:2 | 237-58 | 1 | O-Ring |
| 9 | 121-1530 | 1 | Manifold-Traction, Rear | 18 | 120-8982 | 2 | Fitting-45 DEG |
| 10 | 340-2 | 1 | Fitting-Straight | 18:1 | 237-58 | 1 | O-Ring |
| 10:1 | 237-22 | 1 | O-Ring | 18:2 | 237-81 | 1 | O-Ring |
| 10:2 | 237-42 | 1 | O-Ring | 19 | 104-8301 | 2 | Nut-HF, NI |
| 11 | 104-3509 | 1 | Fitting-HYD, 45 DEG | 20 | 120-8825 | 1 | Fitting-Tee |
| 11:1 | 237-146 | 1 | O-Ring | 20:1 | 340-65 | 2 | O-Ring |
| 11:2 | 340-65 | 1 | O-Ring | | | | |



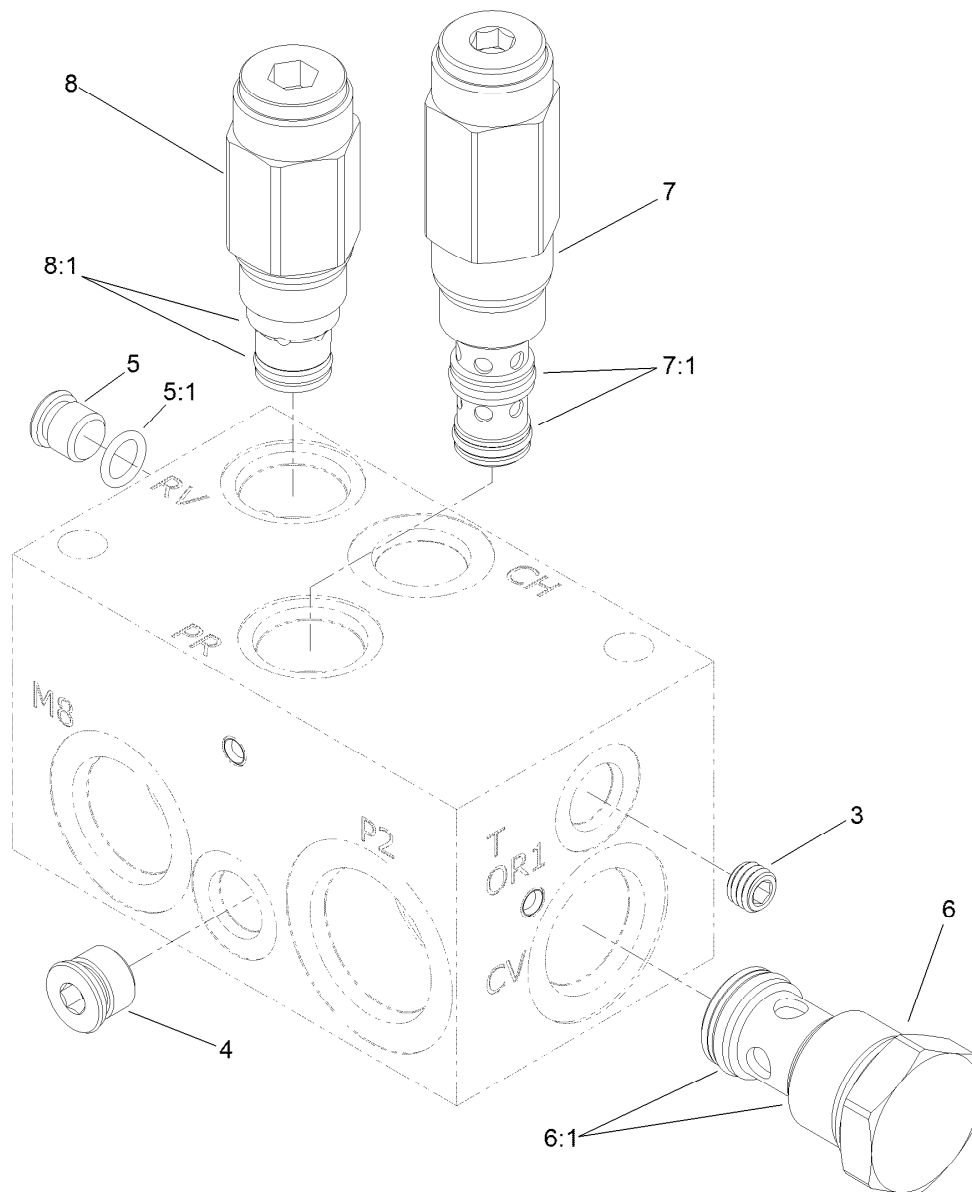
Manifold Block Assembly (continued)

| <i>Ref.</i> | <i>Part Number</i> | <i>Qty.</i> | <i>Description</i> | <i>Ref.</i> | <i>Part Number</i> | <i>Qty.</i> | <i>Description</i> |
|-------------|--------------------|-------------|--------------------|-------------|--------------------|-------------|--------------------|
| 20:2 | 237-81 | 1 | O-Ring | 21:1 | 237-42 | 1 | O-Ring |
| 21 | 353-508 | 1 | Plug-HH | 22 | 354-79 | 3 | Cap-Dust |



Left Power-Take-Off Manifold Assembly No. 121-1536

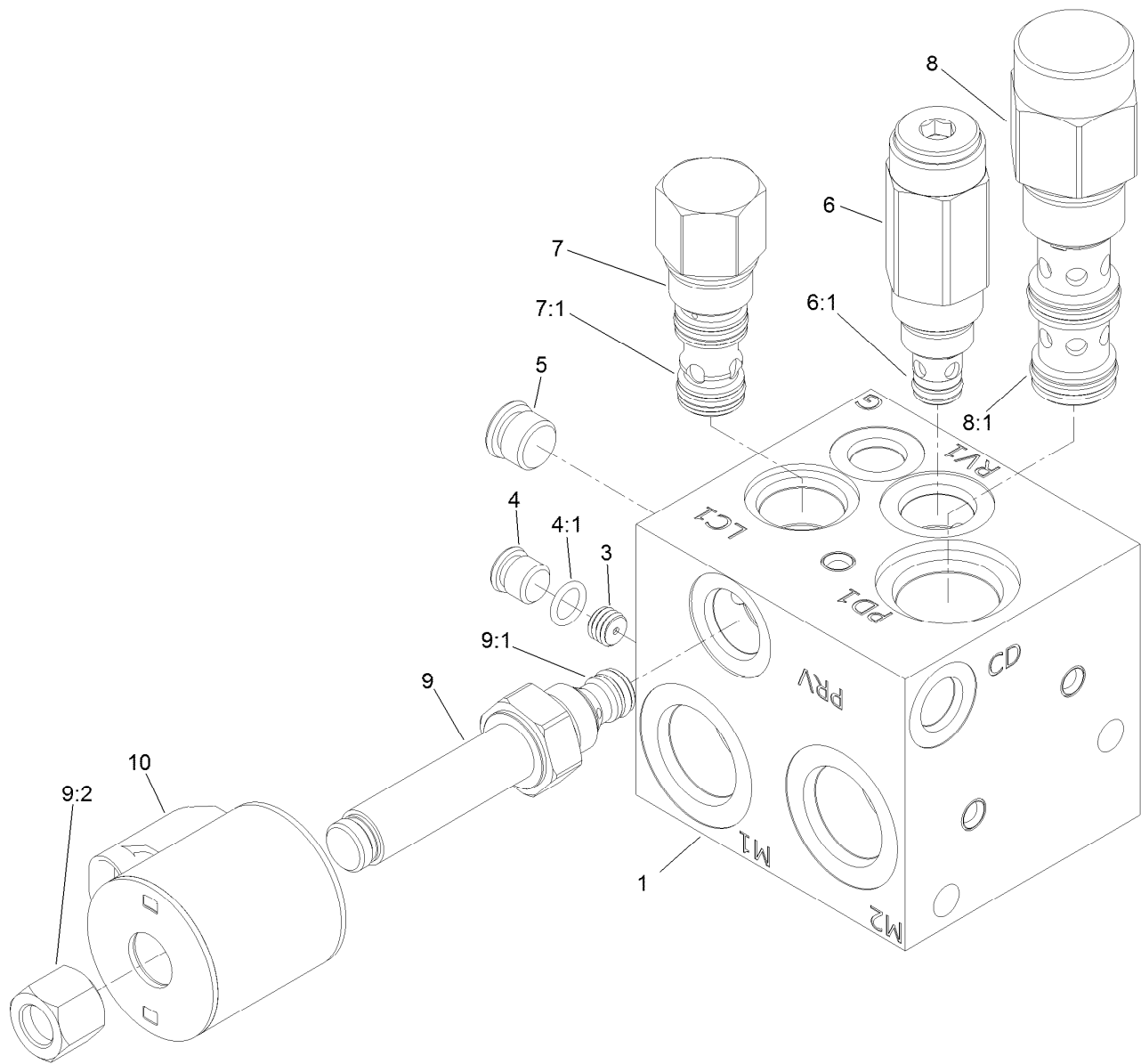
| <i>Ref.</i> | <i>Part Number</i> | <i>Qty.</i> | <i>Description</i> |
|-------------|--------------------|-------------|----------------------------|
| 3 | 353-990 | 1 | Plug ASM |
| 3:1 | 237-78 | 1 | O-Ring |
| 4 | 117-8315 | 1 | Orifice (.025 Inch) |
| 6 | 112-6538 | 1 | Orifice (.063 Inch) |
| 7 | 114-5512 | 1 | Valve-Relief, 600 PSI |
| 7:1 | 105-9156 | 1 | Seal Kit |
| 8 | 105-9153 | 1 | Element-Logic, Vented |
| 8:1 | 119-2159 | 1 | Seal Kit |
| 9 | 125-4327 | 1 | Valve-Directional, Pilot |
| 9:1 | 114-5515 | 1 | Seal Kit |
| 10 | 117-0227 | 1 | Valve-Relief, Proportional |
| 10:1 | 105-9156 | 1 | Seal Kit |
| 10:2 | 119-2160 | 1 | Nut-Coil |
| 11 | 110-2630 | 1 | Coil-12Vdc |



Rear Traction Manifold Assembly No. 121-1530

| Ref. | Part Number | Qty. | Description |
|------|-------------|------|--------------------------|
| 3 | 107-7525 | 1 | Plug-Orifice (.050 Inch) |
| 4 | | 1 | Plug ● |
| 5 | 353-990 | 1 | Plug ASM |
| 5:1 | 237-78 | 1 | O-Ring |
| 6 | 125-4328 | 1 | Valve-Check |
| 6:1 | 125-4336 | 1 | Seal Kit |
| 7 | 125-4329 | 1 | Valve-Reducing |
| 7:1 | 125-4334 | 1 | Seal Kit |
| 8 | 125-4331 | 1 | Valve-Relief |
| 8:1 | 110-6316 | 1 | Seal Kit |

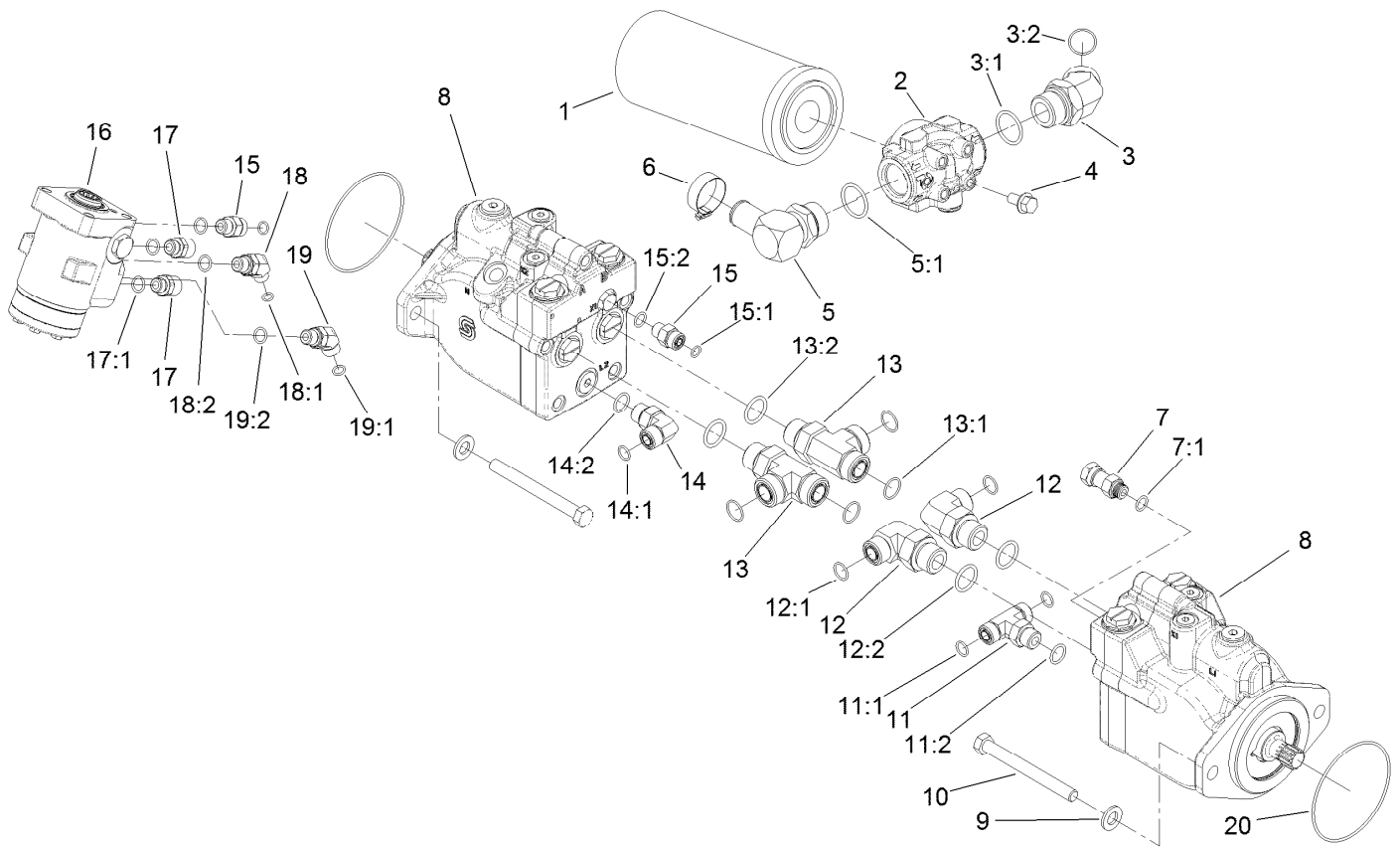
● Not serviced separately



Center and Right Power-Take-Off Manifold Assembly No. 121-1537

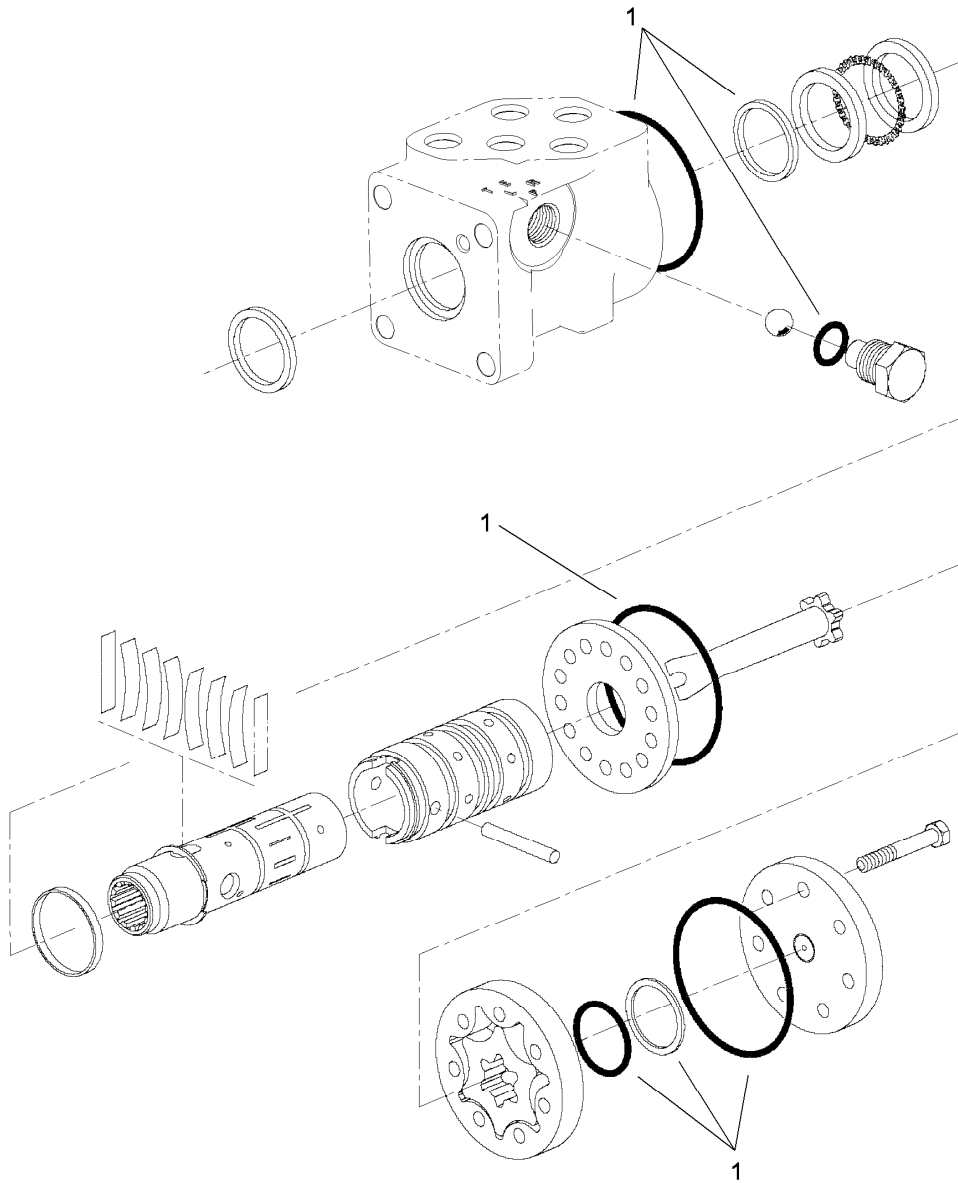
| <i>Ref.</i> | <i>Part Number</i> | <i>Qty.</i> | <i>Description</i> |
|-------------|--------------------|-------------|----------------------------|
| 1 | | 1 | Manifold Block ● |
| 3 | 117-8315 | 1 | Orifice (.025 Inch) |
| 4 | 353-990 | 1 | Plug ASM |
| 4:1 | 237-78 | 1 | O-Ring |
| 5 | | 1 | Plug ● |
| 6 | 114-5512 | 1 | Valve-Relief, 600 PSI |
| 6:1 | 105-9156 | 1 | Seal Kit |
| 7 | 105-9153 | 1 | Element-Logic, Vented |
| 7:1 | 119-2159 | 1 | Seal Kit |
| 8 | 125-4327 | 1 | Valve-Directional, Pilot |
| 8:1 | 114-5515 | 1 | Seal Kit |
| 9 | 117-0227 | 1 | Valve-Relief, Proportional |
| 9:1 | 105-9156 | 1 | Seal Kit |
| 9:2 | 119-2160 | 1 | Nut-Coil |
| 10 | 110-2630 | 1 | Coil-12Vdc |

● Not serviced separately



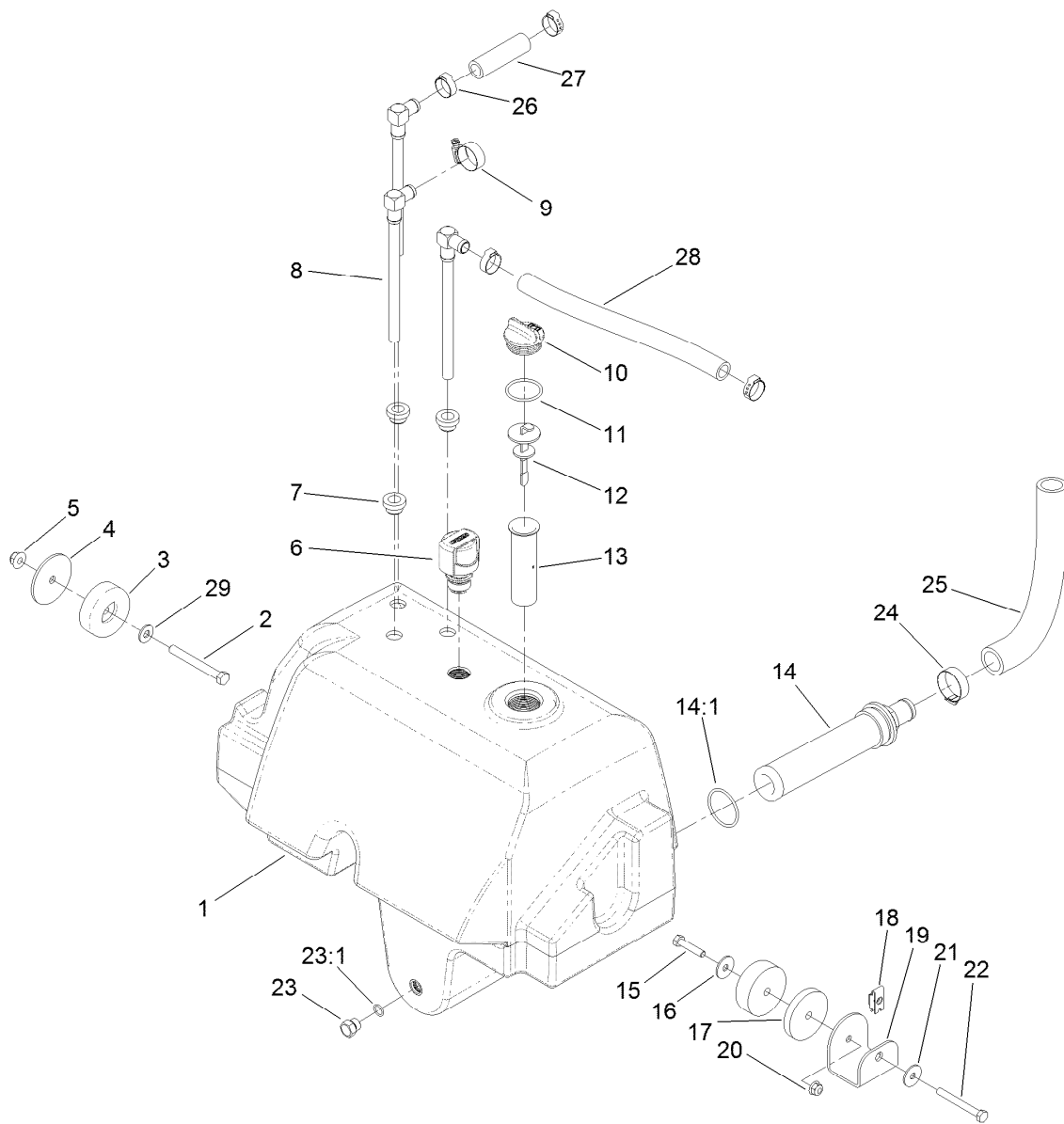
Drive Motor, Steer Valve and Filter Head Assembly

| Ref. | Part Number | Qty. | Description | Ref. | Part Number | Qty. | Description |
|------|-------------|------|----------------------------|------|-------------|------|-----------------------|
| 1 | 94-2621 | 1 | Element-Filter | 13 | 340-148 | 2 | Fitting-Tee |
| 2 | 121-1577 | 1 | Head-Filter | 13:1 | 237-81 | 1 | O-Ring |
| 3 | 104-3509 | 1 | Fitting-HYD, 45 DEG | 13:2 | 237-58 | 2 | O-Ring |
| 3:1 | 237-146 | 1 | O-Ring | 14 | 340-98 | 1 | Fitting-Elbow, 90 DEG |
| 3:2 | 340-65 | 1 | O-Ring | 14:1 | 237-79 | 1 | O-Ring |
| 4 | 3234-1 | 4 | Screw-HHF | 14:2 | 237-30 | 1 | O-Ring |
| 5 | 23-8910 | 1 | Stem-Barb-90 | 15 | 340-2 | 2 | Fitting-Straight |
| 5:1 | 237-146 | 1 | O-Ring | 15:1 | 237-22 | 1 | O-Ring |
| 6 | 2412-34 | 1 | Clamp-Hose | 15:2 | 237-42 | 1 | O-Ring |
| 7 | 104-3779 | 1 | Connector-Swivel, Straight | 16 | 114-4900 | 1 | Steering Valve ASM |
| 7:1 | 237-42 | 1 | O-Ring | 17 | 120-8979 | 2 | Fitting-Straight |
| 8 | 120-8913 | 2 | HYD Motor ASM | 17:1 | 237-42 | 1 | O-Ring |
| 9 | 106-9888 | 4 | Washer-Flat | 18 | 340-137 | 1 | Fitting |
| 10 | 33116-120 | 4 | Screw-HH | 18:1 | 237-21 | 1 | O-Ring |
| 11 | 340-157 | 1 | Fitting-HYD, Tee | 18:2 | 237-42 | 1 | O-Ring |
| 11:1 | 237-79 | 1 | O-Ring | 19 | 340-87 | 1 | Fitting-Elbow-45 |
| 11:2 | 237-30 | 2 | O-Ring | 19:1 | 237-22 | 1 | O-Ring |
| 12 | 340-139 | 2 | Fitting-Elbow 90 | 19:2 | 237-42 | 1 | O-Ring |
| 12:1 | 237-81 | 1 | O-Ring | 20 | 237-166 | 2 | O-Ring |
| 12:2 | 237-65 | 1 | O-Ring | | | | |



Steering Valve Assembly No. 114-4900

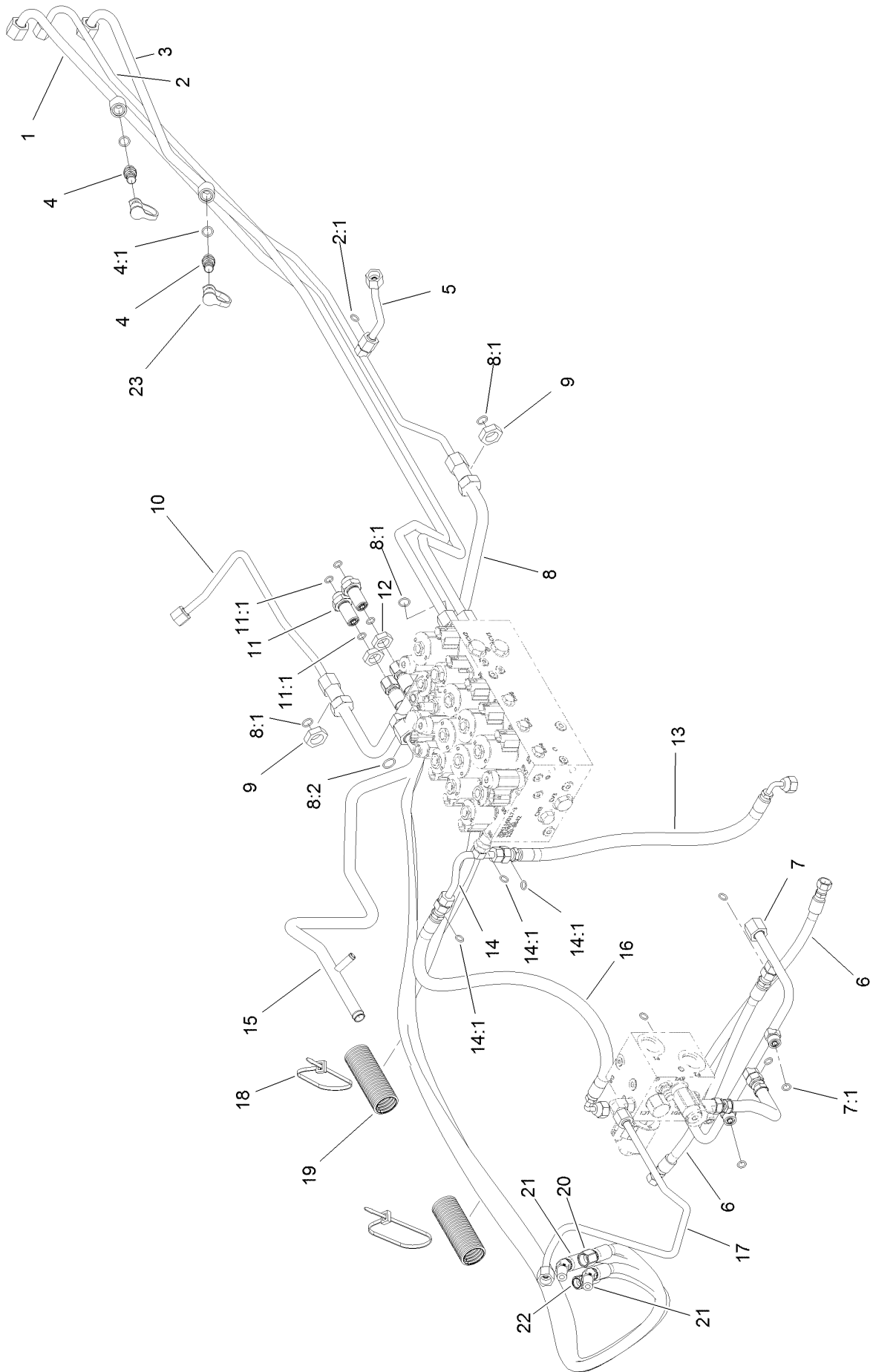
| <i>Ref.</i> | <i>Part Number</i> | <i>Qty.</i> | <i>Description</i> |
|-------------|--------------------|-------------|--------------------|
| 1 | 115-5480 | 1 | Seal Kit |



Hydraulic Reservoir Assembly

| Ref. | Part Number | Qty. | Description | Ref. | Part Number | Qty. | Description |
|------|-------------|------|-------------------|------|-------------|------|-------------------|
| 1 | 120-9077 | 1 | Reservoir-HYD | 16 | 3256-22 | 1 | Washer-Flat |
| 2 | 323-20 | 1 | Screw-HH | 17 | 121-1533 | 1 | Spacer-Thick |
| 3 | 108-1605 | 2 | Bumper-Recess | 18 | 110-3510 | 1 | Nut-Retainer |
| 4 | 121-1456 | 1 | Spacer-Thin | 19 | 121-1557-03 | 1 | Mount-Tank |
| 5 | 104-8301 | 1 | Nut-HF, NI | 20 | 104-8300 | 1 | Nut-HF, NI |
| 6 | 115-9793 | 1 | Breather | 21 | 3256-82 | 1 | Washer-Flat |
| 7 | 104-0790 | 3 | Bushing | 22 | 322-13 | 1 | Screw-HH |
| 8 | 114-0002 | 3 | Pipe-Stand | 23 | 353-508 | 1 | Plug-HH |
| 9 | 2412-129 | 1 | Clamp-Hose | 23:1 | 237-42 | 1 | O-Ring |
| 10 | 93-7498 | 1 | Plug-Plastic | 24 | 2412-34 | 1 | Clamp-Hose |
| 11 | 237-101 | 1 | O-Ring | 25 | 120-8810 | 1 | Hose-Strainer |
| 12 | 105-2812 | 1 | Dipstick | 26 | 115-5436 | 4 | Clamp-Hose, Crimp |
| 13 | 92-1705 | 1 | Filter-Screen | 27 | 114-4920 | 1 | Hose |
| 14 | 104-7546 | 1 | Tank Strainer ASM | 28 | 121-1521 | 1 | Hose |
| 14:1 | 340-136 | 1 | O-Ring | 29 | 3256-3 | 1 | Washer-Flat |
| 15 | 322-7 | 1 | Screw-HH | | | | |

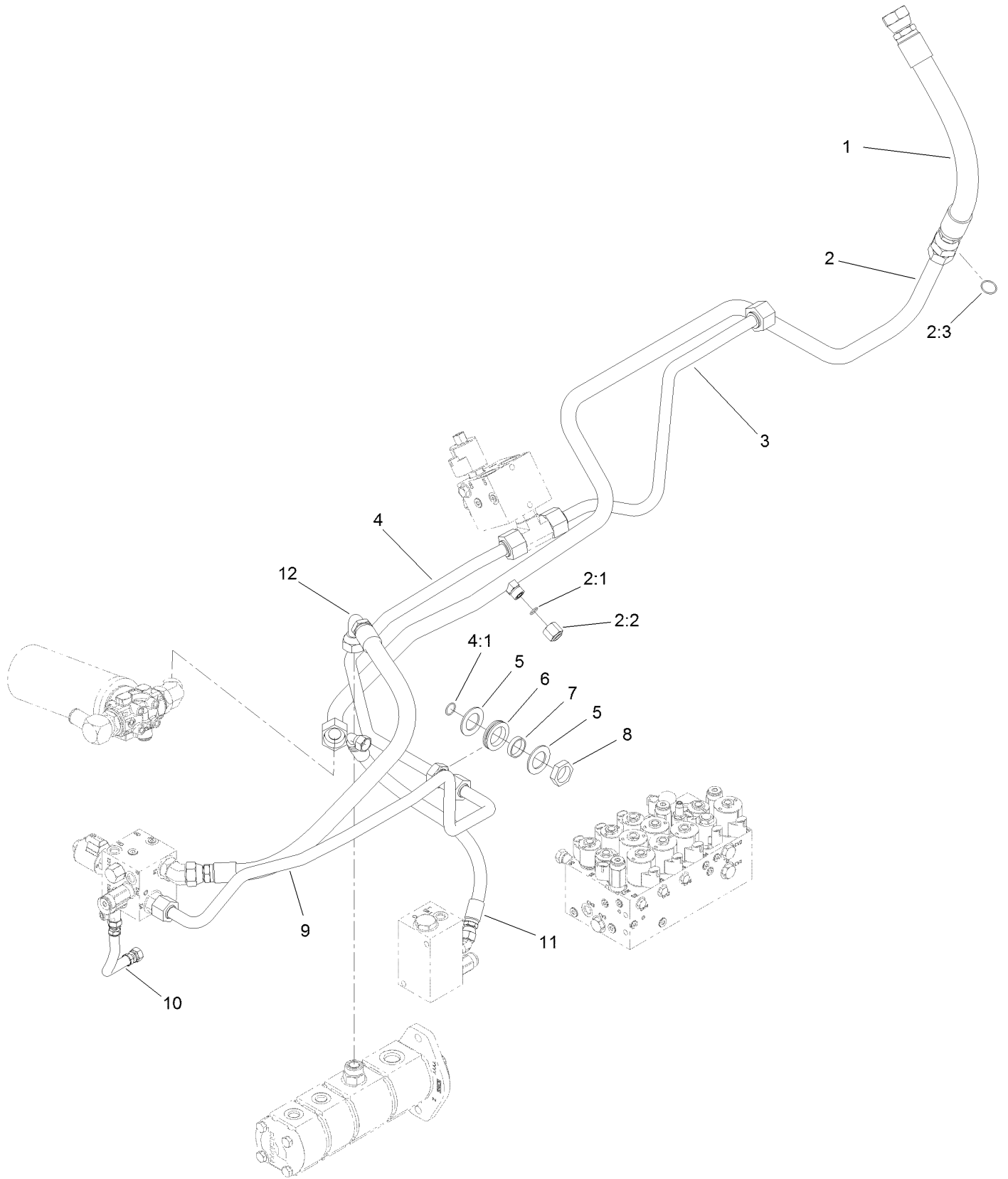
Lift, Steer and Fan Hydraulic Assembly



Lift, Steer and Fan Hydraulic Assembly (continued)

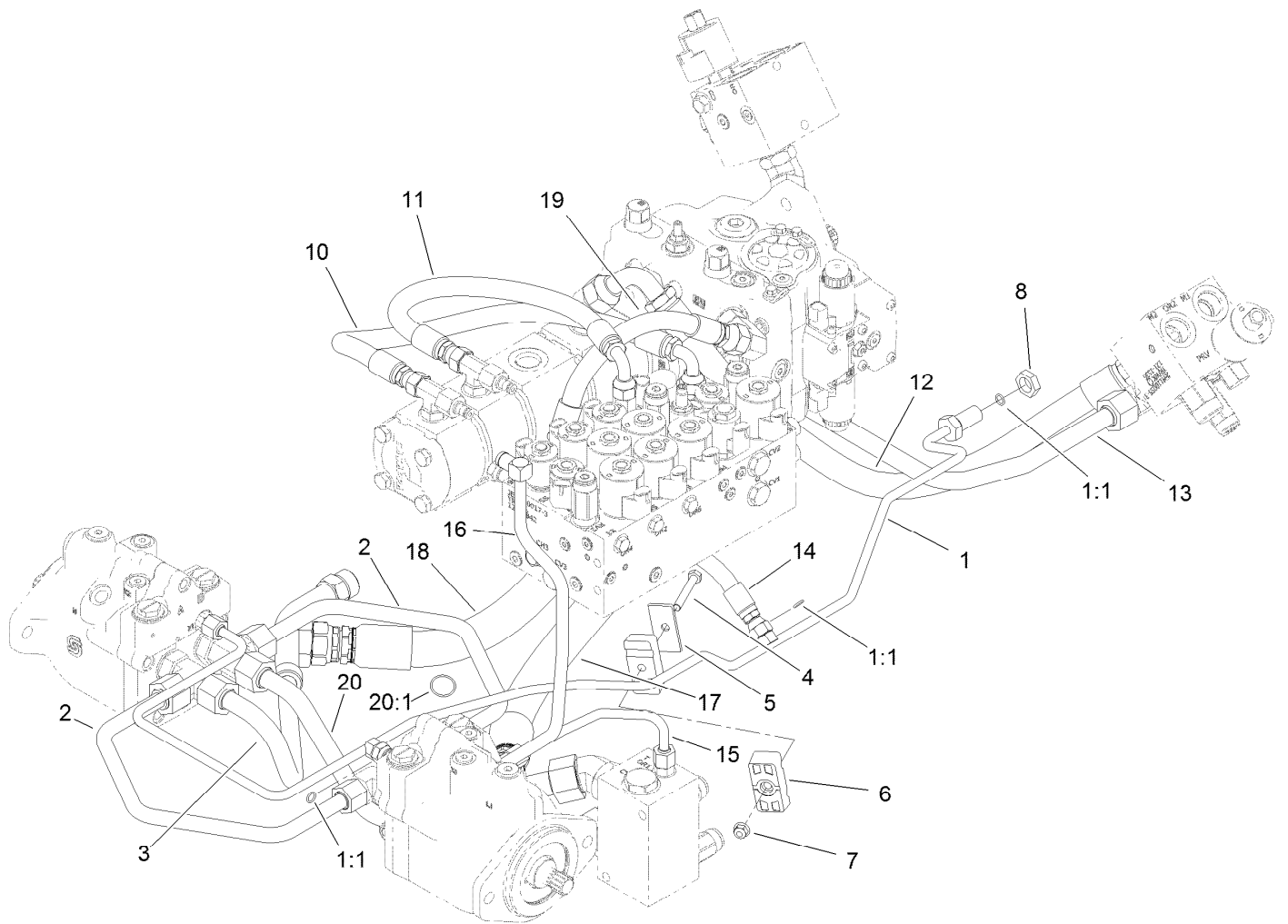
| <i>Ref.</i> | <i>Part Number</i> | <i>Qty.</i> | <i>Description</i> | <i>Ref.</i> | <i>Part Number</i> | <i>Qty.</i> | <i>Description</i> |
|-------------|--------------------|-------------|--------------------|-------------|--------------------|-------------|----------------------------|
| 1 | 120-9074 | 1 | Tube-Fan | 11 | 340-71 | 2 | Fitting-Straight, Bulkhead |
| 2 | 120-8966 | 1 | Tube-Drain, Fan | 11:1 | 237-22 | 2 | O-Ring |
| 2:1 | 237-22 | 1 | O-Ring | 12 | 340-70 | 2 | Nut-Lock |
| 3 | 120-9075 | 1 | Tube-Fan, M2 | 13 | 121-1567 | 1 | Hose-HYD |
| 4 | 59-7410 | 2 | Fitting-Diagnostic | 14 | 121-1565 | 1 | Tube-Tee |
| 4:1 | 237-42 | 1 | O-Ring | 14:1 | 237-22 | 3 | O-Ring |
| 5 | 121-1523 | 1 | Tube-HYD | 15 | 121-1510 | 1 | Tube-HYD |
| 6 | 117-3123 | 2 | HYD Hose ASM | 16 | 121-1566 | 1 | Hose-HYD |
| 7 | 120-9078 | 1 | Tube-HYD | 17 | 120-8848 | 1 | Tube-HYD |
| 7:1 | 237-22 | 5 | O-Ring | 18 | 3290-378 | 2 | Tie-Cable |
| 8 | 121-1509 | 1 | Tube-HYD | 19 | 121-1544 | 2 | Cover-Hose |
| 8:1 | 237-30 | 3 | O-Ring | 20 | 121-1504 | 1 | Hose-HYD |
| 8:2 | 237-65 | 1 | O-Ring | 21 | 121-1491 | 2 | Hose-HYD |
| 9 | 340-127 | 2 | Nut-Bulkhead | 22 | 121-1503 | 1 | Hose-HYD |
| 10 | 121-1522 | 1 | Tube-HYD | 23 | 354-79 | 2 | Cap-Dust |

Oil Cooler Hydraulic Assembly



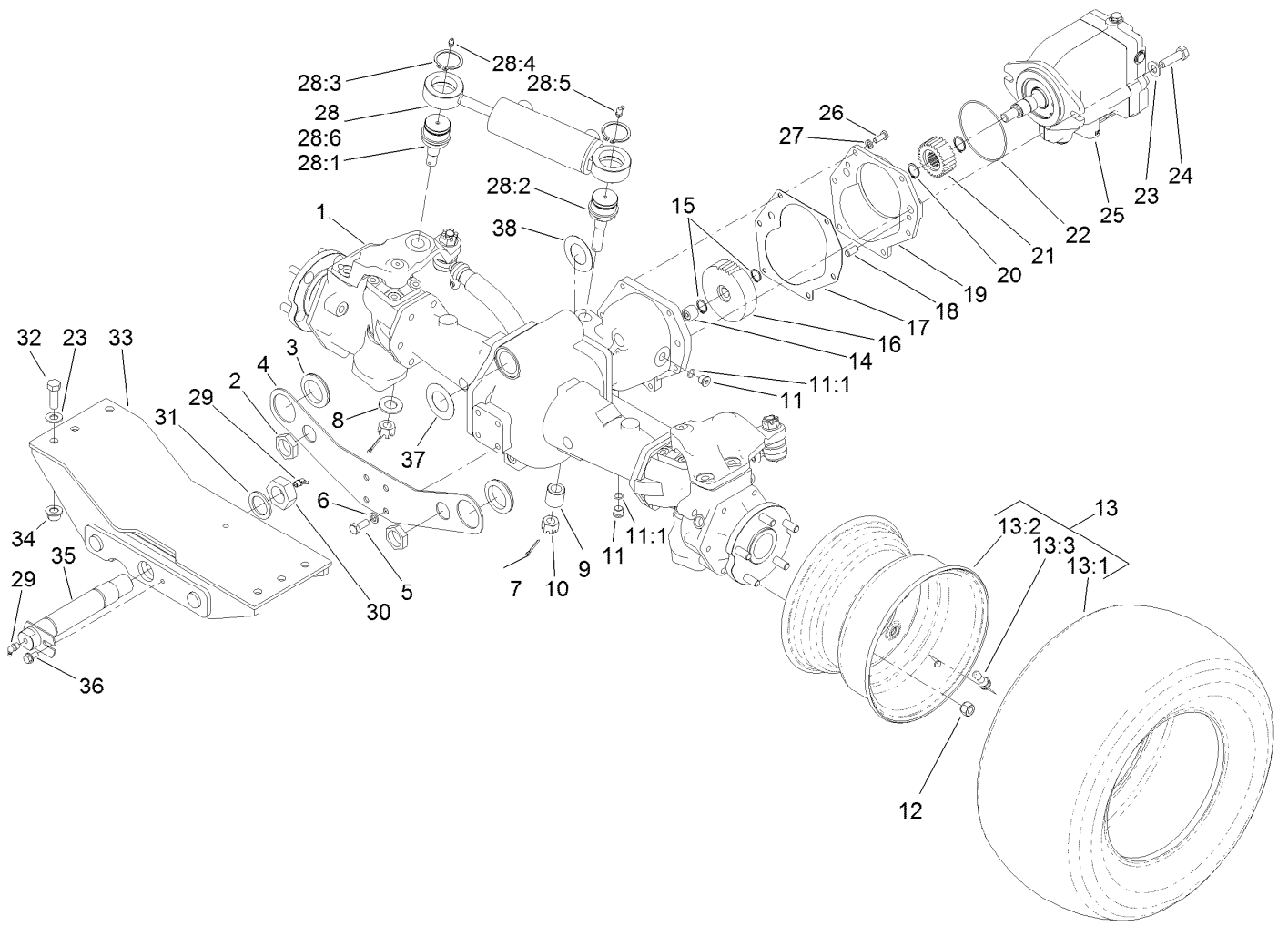
Oil Cooler Hydraulic Assembly (continued)

| <i>Ref.</i> | <i>Part Number</i> | <i>Qty.</i> | <i>Description</i> | <i>Ref.</i> | <i>Part Number</i> | <i>Qty.</i> | <i>Description</i> |
|-------------|--------------------|-------------|--------------------|-------------|--------------------|-------------|------------------------|
| 1 | 120-9060 | 1 | Hose-HYD | 5 | 69-8910 | 2 | Washer |
| 2 | 121-1612 | 1 | Tube ASM | 6 | 240-7 | 1 | Grommet-Rubber |
| 2:1 | 237-30 | 1 | O-Ring | 7 | 69-8900 | 1 | Spacer |
| 2:2 | 340-152 | 1 | Cap-HYD | 8 | 340-126 | 1 | Nut-Bulkhead |
| 2:3 | 340-65 | 1 | O-Ring | 9 | 120-8838 | 1 | Tube-PTO, Front Return |
| 3 | 121-1626 | 1 | Tube-HYD | 10 | 121-1572 | 1 | Hose-HYD |
| 4 | 121-1507 | 1 | Tube ASM | 11 | 117-0686 | 1 | Hose-HYD |
| 4:1 | 237-58 | 1 | O-Ring | 12 | 115-4384 | 1 | Hose-HYD |



Traction Hydraulic Assembly

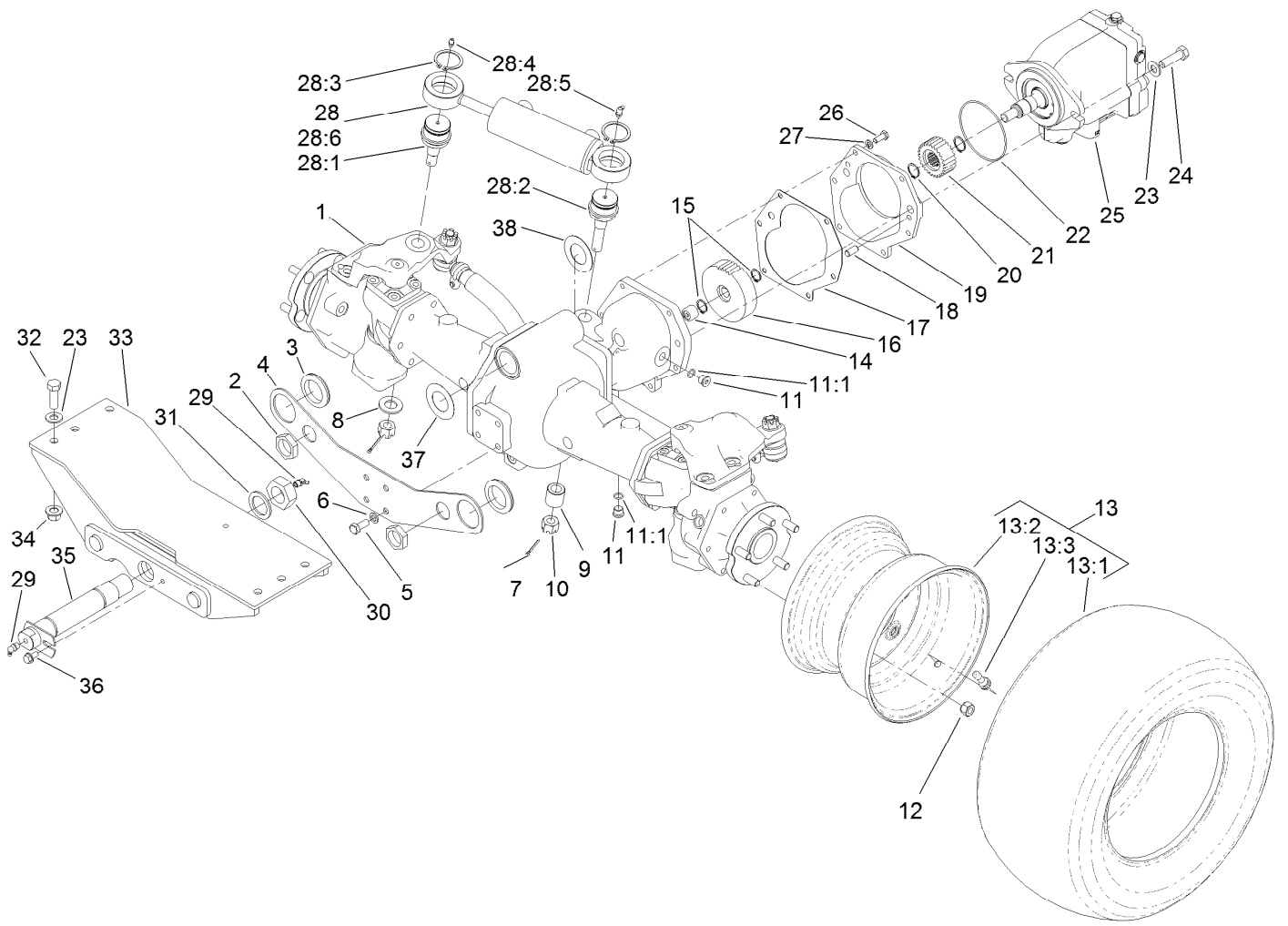
| <i>Ref.</i> | <i>Part Number</i> | <i>Qty.</i> | <i>Description</i> | <i>Ref.</i> | <i>Part Number</i> | <i>Qty.</i> | <i>Description</i> |
|-------------|--------------------|-------------|--------------------|-------------|--------------------|-------------|--------------------|
| 1 | 121-1552 | 1 | Tube ASM | 12 | 115-4384 | 1 | Hose-HYD |
| 1:1 | 237-22 | 3 | O-Ring | 13 | 120-8834 | 1 | Tube-PTO, LH To RH |
| 2 | 120-9079 | 2 | Tube-HYD | 14 | 104-2234 | 1 | Hose-HYD |
| 3 | 121-1624 | 1 | Tube-HYD | 15 | 121-1480 | 1 | Tube-HYD |
| 4 | 322-11 | 1 | Screw-HH | 16 | 120-8961 | 1 | Tube-Return, Front |
| 5 | 69-9761 | 1 | Plate-Cover | 17 | 121-1564 | 1 | Hose-HYD |
| 6 | 120-3200 | 2 | Clamp-Tube | 18 | 121-1563 | 1 | Hose-HYD |
| 7 | 104-8300 | 1 | Nut-HF, NI | 19 | 121-1505 | 1 | Hose-HYD |
| 8 | 340-70 | 1 | Nut-Lock | 20 | 121-1581 | 1 | Tube-Tee |
| 10 | 104-2807 | 1 | Hose-HYD | 20:1 | 340-65 | 1 | O-Ring |
| 11 | 104-4584 | 1 | Hose-HYD | | | | |



Rear Axle and Steering Cylinder Assembly

| Ref. | Part Number | Qty. | Description | Ref. | Part Number | Qty. | Description |
|------|-------------|------|------------------------|------|-------------|------|--------------------------|
| 1 | 110-4750 | 1 | Drive Axle ASM | 15 | 32120-15 | 2 | Ring-Snap, EXT |
| 2 | 340-126 | 2 | Nut-Bulkhead | 16 | 100-3053 | 1 | Gear-45 Tooth |
| 3 | 240-2 | 2 | Grommet-Rubber | 17 | 106-1140 | 1 | Gasket |
| 4 | 120-9069-03 | 1 | Plate-Mount, Bulkhead | 18 | 104-2353 | 2 | Pin-Dowel |
| 5 | 43-0090 | 4 | Screw-HH | 19 | 95-7541 | 1 | Plate-Cover |
| 6 | 48-9590 | 4 | Washer-Lock | 20 | 32120-76 | 2 | Ring-Snap, EXT |
| 7 | 3272-12 | 2 | Pin-Cotter | 21 | 104-0755 | 1 | Pinion-27 Tooth |
| 8 | 92-5836 | 1 | Washer | 22 | 237-166 | 1 | O-Ring |
| 9 | 100-3796 | 1 | Spacer-Joint, Ball | 23 | 3256-26 | 8 | Washer-Flat |
| 10 | 32136-14 | 2 | Nut-Hst | 24 | 325-7 | 2 | Screw-HH |
| 11 | 353-989 | 2 | Plug-Hex, Hollow | 25 | 120-8814 | 1 | HYD Motor ASM |
| 11:1 | 237-42 | 1 | O-Ring | 26 | 33114-020 | 6 | Screw-HH |
| 12 | 93-5268 | 10 | Nut-Lug | 27 | 3253-4 | 6 | Washer-Lock |
| 13 | | 2 | Tire And Wheel ASM ● | 28 | 121-1535 | 1 | Steering Cylinder ASM |
| 13:1 | 120-8910 | 1 | Tire-Off Road | 28:1 | 106-6774 | 1 | Joint-Ball |
| 13:2 | 120-8909 | 1 | Rim | 28:2 | 100-3795 | 1 | Joint-Ball |
| 13:3 | 232-27 | 1 | Stem-Valve | 28:3 | 32151-104 | 2 | Ring-Retaining, External |
| 14 | 74-5700 | 1 | Bearing-Needle, Roller | 28:4 | 302-5 | 1 | Fitting-Grease |

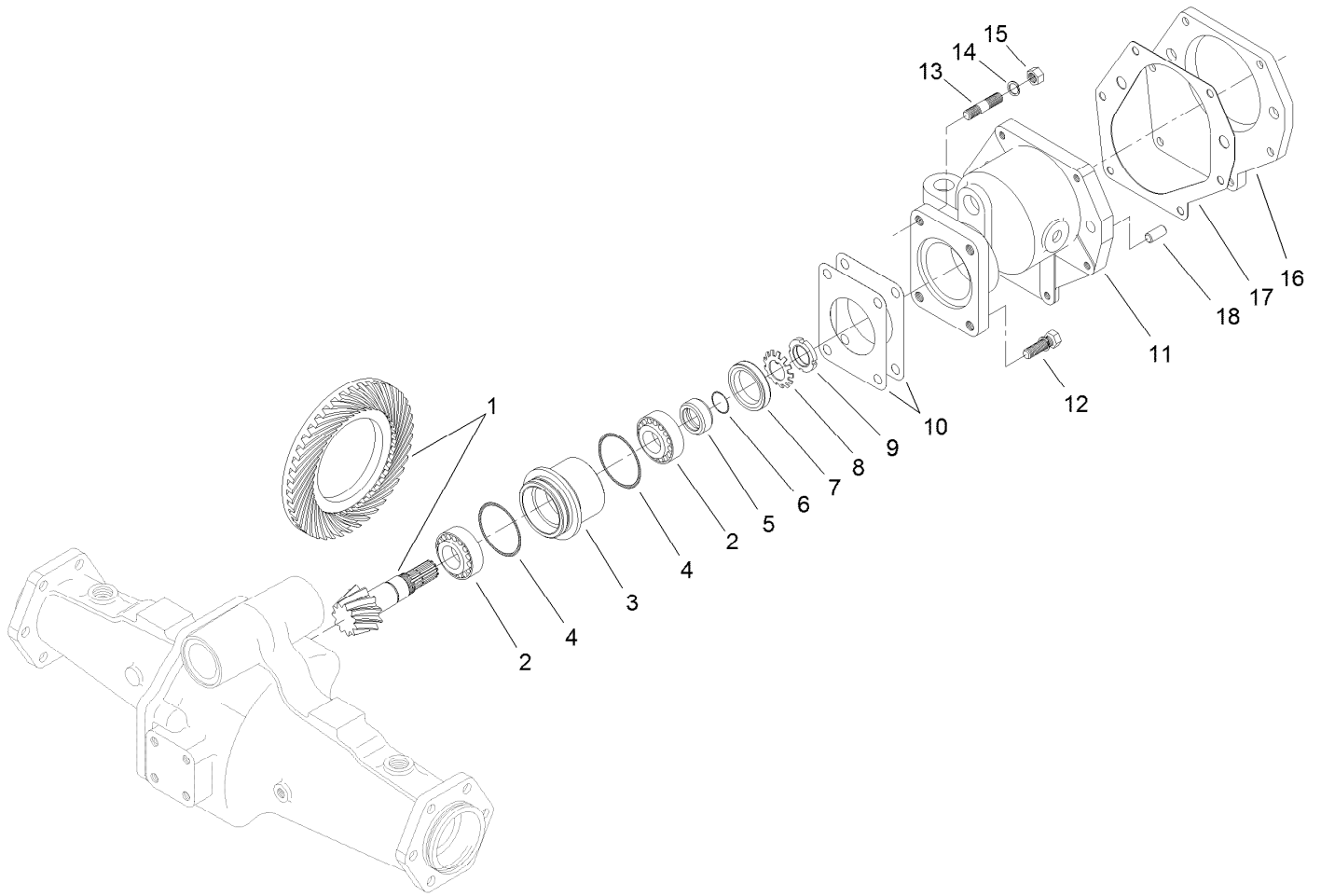
● Not serviced separately



Rear Axle and Steering Cylinder Assembly (continued)

| <i>Ref.</i> | <i>Part Number</i> | <i>Qty.</i> | <i>Description</i> | <i>Ref.</i> | <i>Part Number</i> | <i>Qty.</i> | <i>Description</i> |
|-------------|--------------------|-------------|---------------------------|-------------|--------------------|-------------|--------------------|
| 28:5 | 302-60 | 1 | Fitting-Grease | 33 | 120-8895-03 | 1 | Mount-Rear |
| 28:6 | 121-1534 | 1 | HYD Steering Cylinder ASM | 34 | 99-5107 | 6 | Nut-Lock |
| 29 | 302-33 | 2 | Fitting-Grease | 35 | 98-7077 | 1 | Pin-Axle, Rear |
| 30 | 3296-68 | 1 | Nut-Lock, NI | 36 | 32144-14 | 1 | Screw-HWHTF |
| 31 | 92-1765 | 1 | Washer-Thrust | 37 | 99-8431 | 2 | Washer-Thrust |
| 32 | 325-6 | 6 | Screw-HH | 38 | 99-8432 | 2 | Washer-Thrust |

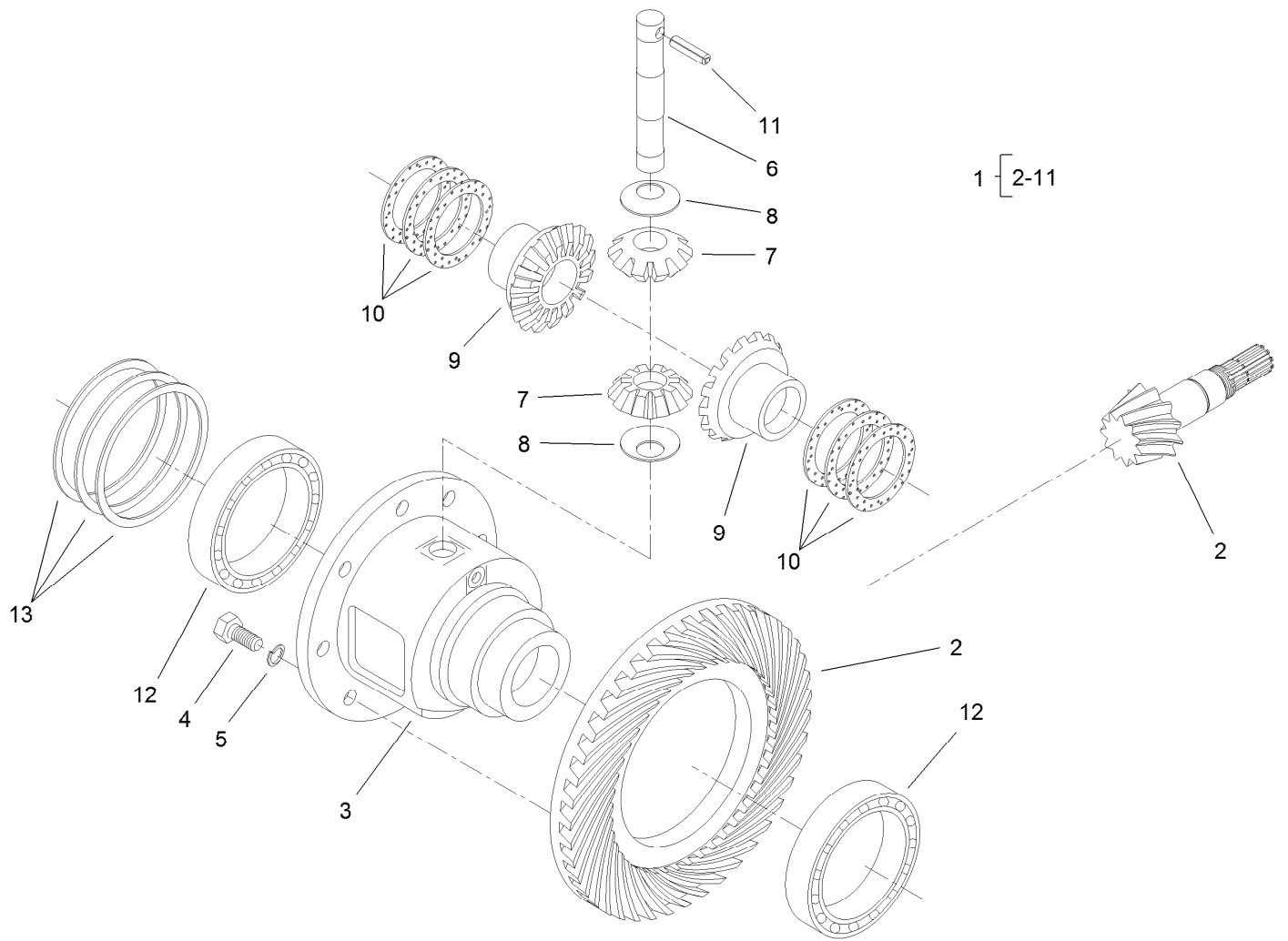
● Not serviced separately



Bevel Pinion Shaft Assembly Rear Axle Assembly No. 110-4750

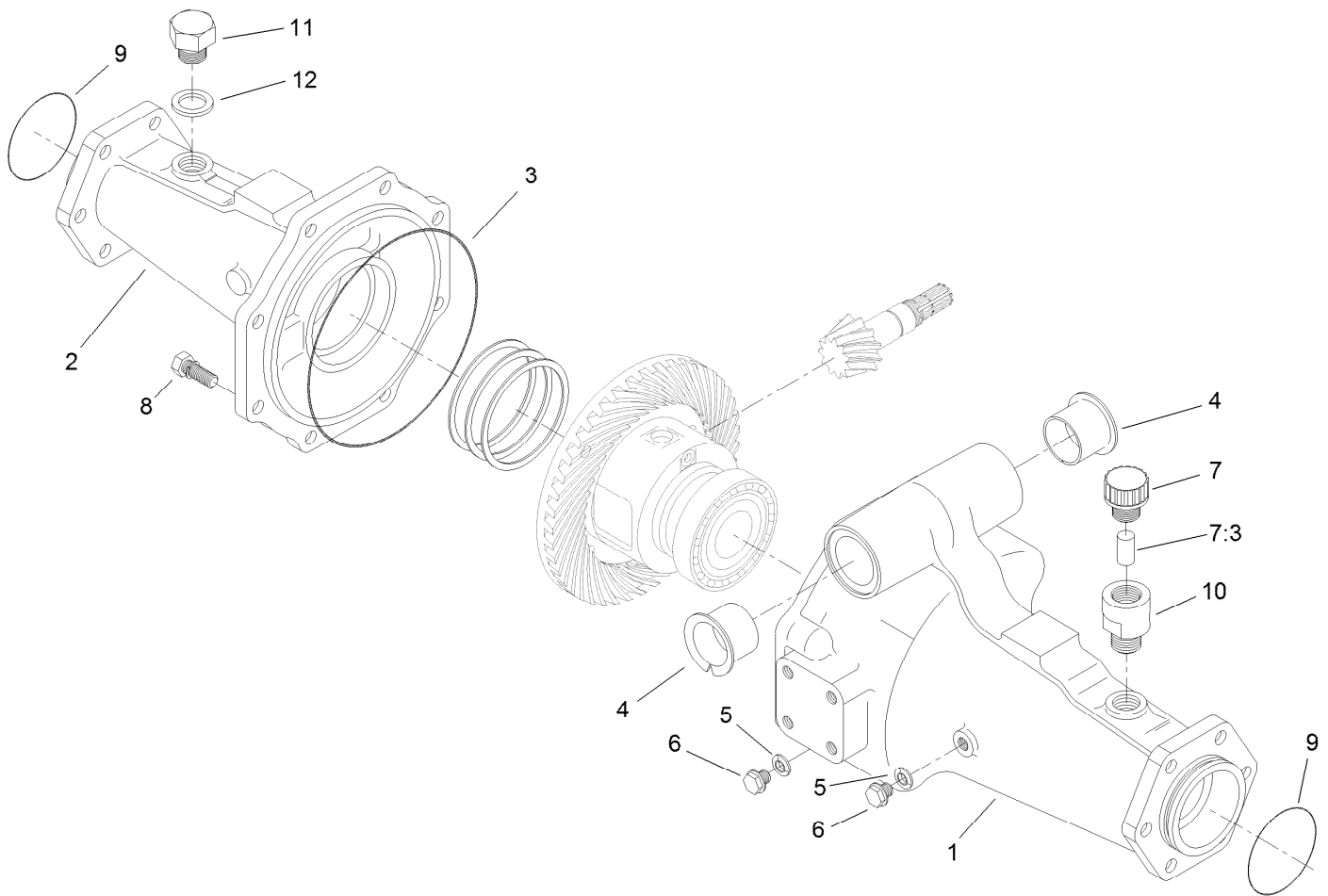
| <i>Ref.</i> | <i>Part Number</i> | <i>Qty.</i> | <i>Description</i> |
|-------------|--------------------|-------------|-----------------------|
| 1 | 106-1093 | 1 | Ring And Pinion Set |
| 2 | 99-7570 | 2 | Bearing-Roller, Taper |
| 3 | 95-7534 | 1 | Case-Bearing |
| 4 | 106-1065 | 2 | O-Ring |
| 5 | 99-7572 | 1 | Collar-Seal, Oil |
| 6 | 106-1066 | 1 | O-Ring |
| 7 | 99-7574 | 1 | Seal-Oil |
| 8 | 99-7559 | 1 | Washer-Lock |
| 9 | 99-7560 | 1 | Nut-Lock |
| 10 | 99-7550 | 2 | Shim 0.1 |

| <i>Ref.</i> | <i>Part Number</i> | <i>Qty.</i> | <i>Description</i> |
|-------------|--------------------|-------------|--------------------|
| 10 | 99-7551 | 2 | Shim 0.2 |
| 11 | 95-7533 | 1 | Case-Gear |
| 12 | 99-7575 | 2 | Bolt |
| 13 | 98-7735 | 2 | Stud |
| 14 | 99-7527 | 2 | Washer-Spring |
| 15 | 99-7526 | 2 | Nut |
| 16 | 95-7541 | 1 | Plate-Cover |
| 17 | 106-1140 | 1 | Gasket |
| 18 | 104-2353 | 2 | Pin-Dowel |



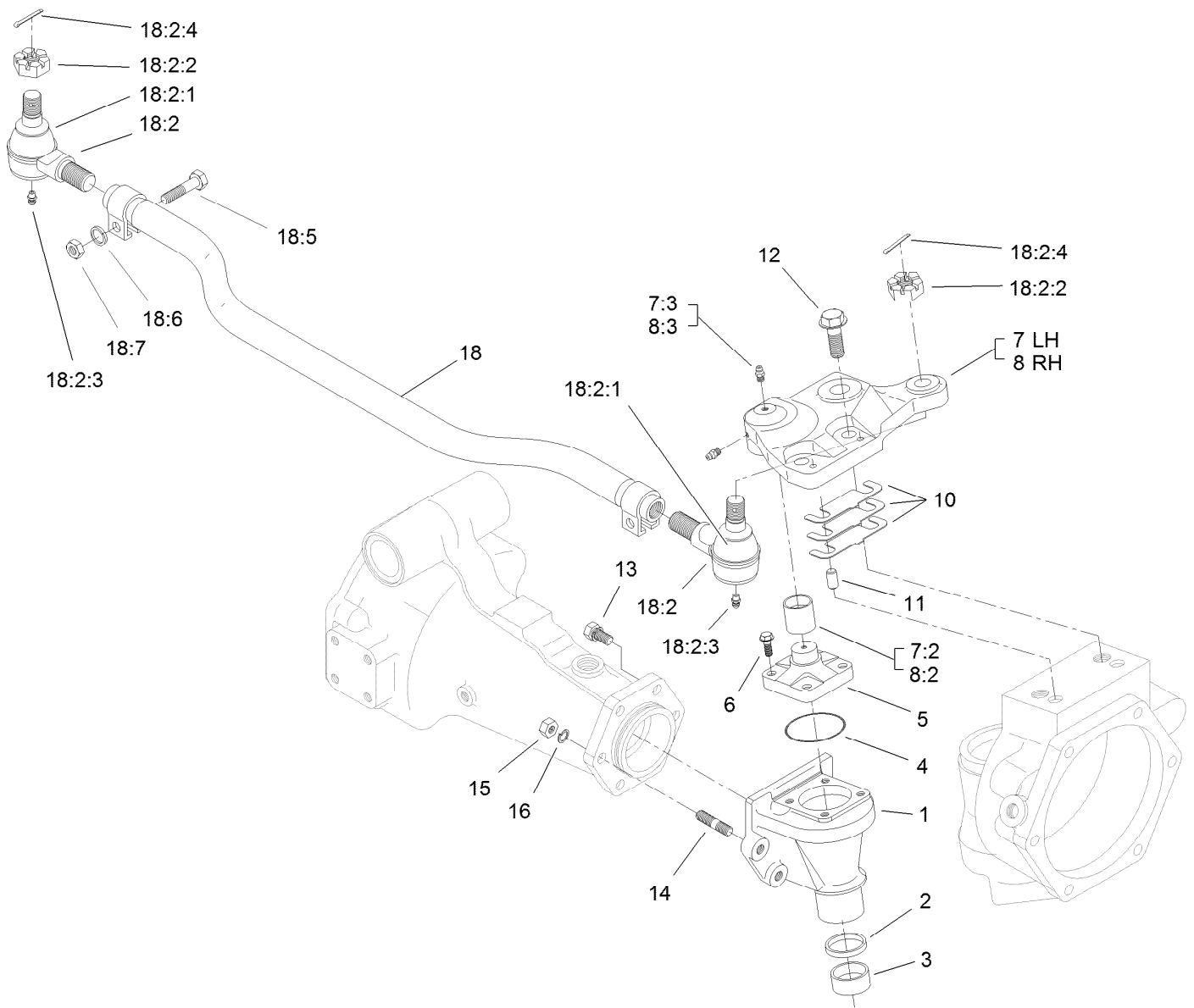
Differential Assembly Rear Axle Assembly No. 110-4750

| <i>Ref.</i> | <i>Part Number</i> | <i>Qty.</i> | <i>Description</i> | <i>Ref.</i> | <i>Part Number</i> | <i>Qty.</i> | <i>Description</i> |
|-------------|--------------------|-------------|---------------------|-------------|--------------------|-------------|---------------------|
| 1 | 95-7503 | 1 | Differential ASM | 10 | 99-7582 | 2 | Washer-Differential |
| 2 | 106-1093 | 1 | Ring And Pinion Set | 10 | 99-7583 | 2 | Washer-Differential |
| 3 | 95-7502 | 1 | Case-Differential | 10 | 99-7584 | 2 | Washer-Differential |
| 4 | 99-7576 | 8 | Bolt | 11 | 99-7588 | 1 | Pin-Spring |
| 5 | 3253-4 | 8 | Washer-Lock | 12 | 99-7562 | 2 | Bearing-Ball |
| 6 | 99-7578 | 1 | Shaft-Differential | 13 | 99-7585 | 2 | Shim 0.1 |
| 7 | 99-7579 | 2 | Pinion-Differential | 13 | 99-7586 | 2 | Shim 0.2 |
| 8 | 99-7580 | 2 | Washer-Differential | 13 | 99-7587 | 2 | Shim 0.4 |
| 9 | 99-7581 | 2 | Gear-Differential | | | | |



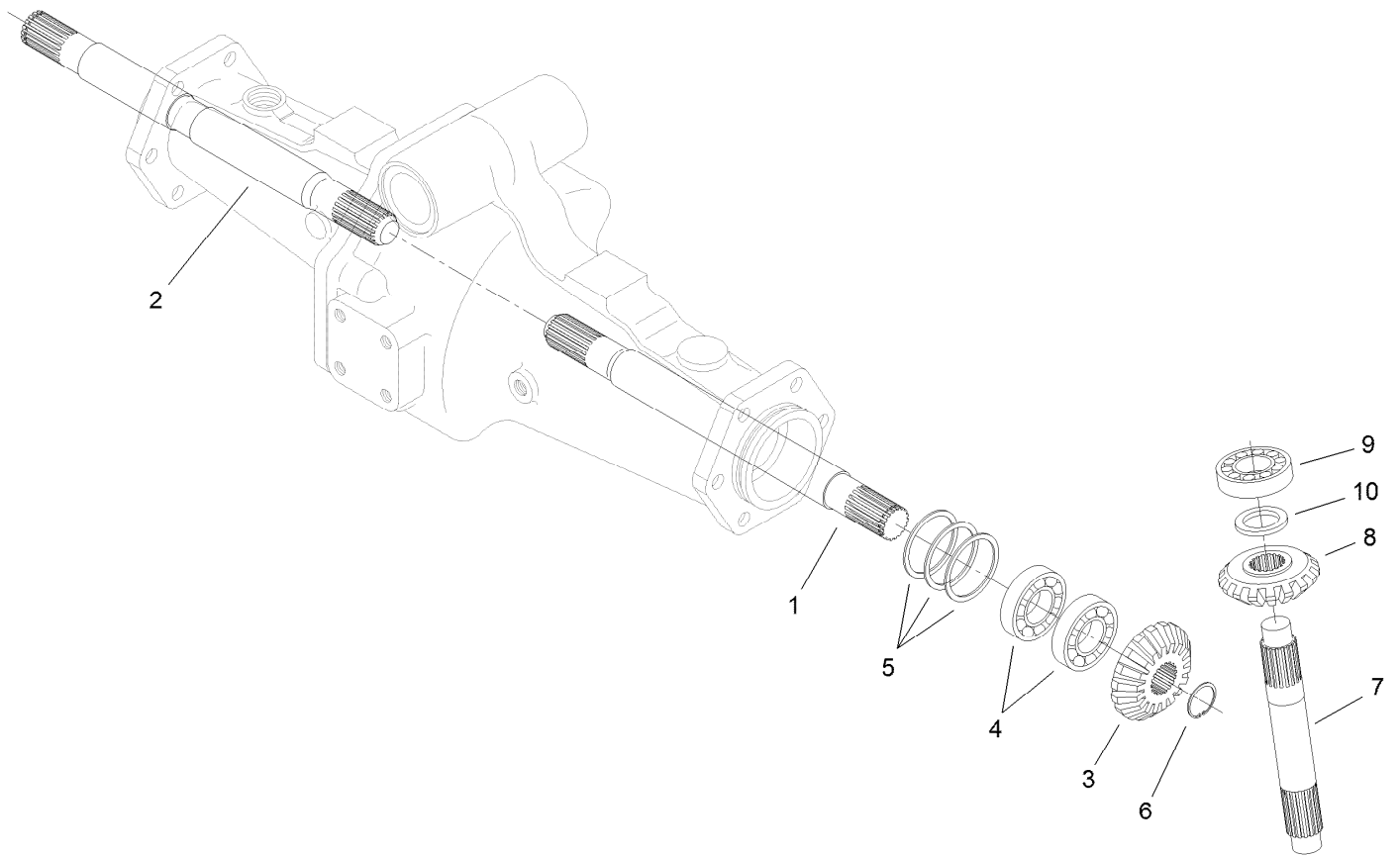
Axle Support Assembly Rear Axle Assembly No. 110-4750

| <i>Ref.</i> | <i>Part Number</i> | <i>Qty.</i> | <i>Description</i> |
|-------------|--------------------|-------------|---------------------|
| 1 | 95-7508 | 1 | Support-Axle |
| 2 | 95-7506 | 1 | Support-Axle |
| 3 | 106-1067 | 1 | O-Ring |
| 4 | 95-7537 | 2 | Bushing-Flanged |
| 5 | 99-7590 | 2 | Washer-Seal |
| 6 | 99-7589 | 2 | Plug |
| 7 | 110-4812 | 1 | Axle Vent ASM |
| 7:3 | 110-4815 | 1 | Insert-Filter, Foam |
| 8 | 99-7592 | 8 | Bolt |
| 9 | 106-1068 | 2 | O-Ring |
| 10 | 104-2377 | 1 | Extension-Vent |
| 11 | 104-8643 | 1 | Plug |
| 12 | 104-8644 | 1 | O-Ring |



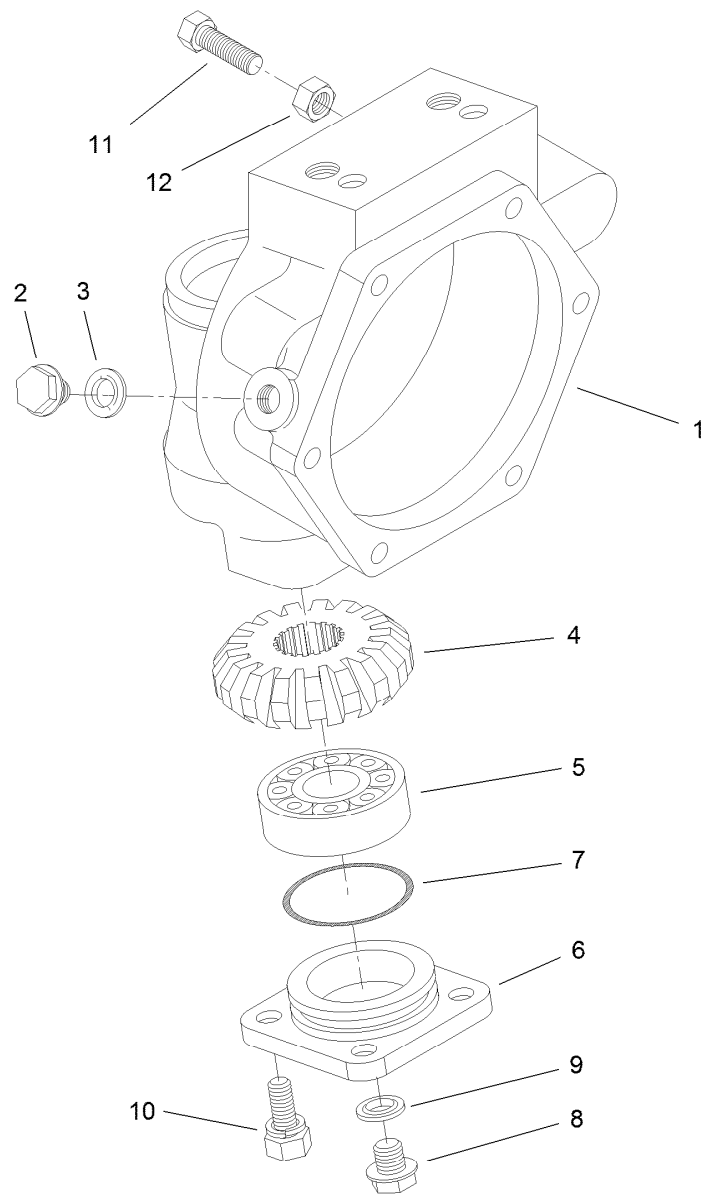
Bevel Gear Case Assembly Rear Axle Assembly No. 110-4750

| Ref. | Part Number | Qty. | Description | Ref. | Part Number | Qty. | Description |
|------|-------------|------|---------------------|--------|-------------|------|--------------------------------|
| 1 | 110-4752 | 2 | Case-Gear, Bevel | 12 | 104-2375 | 4 | Bolt |
| 2 | 110-4754 | 2 | Seal-Oil | 13 | 99-7599 | 8 | Bolt |
| 3 | 104-2378 | 2 | Bushing | 14 | 99-7525 | 4 | Stud |
| 4 | 106-1069 | 2 | O-Ring | 15 | 99-7526 | 4 | Nut |
| 5 | 104-2373 | 2 | Knuckle | 16 | 99-7527 | 4 | Washer-Spring |
| 6 | 104-2374 | 8 | Bolt | 18 | 106-1141 | 1 | Steering Tie Rod ASM |
| 7 | 100-3768 | 1 | LH Steering Arm ASM | 18:2 | 106-1113 | 2 | Tie Rod End ASM - RH Thread |
| 7:2 | 104-8634 | 1 | Bushing | 18:2:1 | 100-3853 | 1 | Cover-Dust |
| 7:3 | 106-1104 | 2 | Fitting-Grease | 18:2:2 | 100-3854 | 1 | Nut-Castle |
| 8 | 100-3766 | 1 | RH Steering Arm ASM | 18:2:3 | 110-4755 | 1 | Fitting-Grease |
| 8:2 | 104-8634 | 1 | Bushing | 18:2:4 | 3272-11 | 1 | Pin-Cotter |
| 8:3 | 106-1104 | 2 | Fitting-Grease | 18:5 | 100-3855 | 2 | Bolt |
| 10 | 95-7547 | 2 | Shim 0.1 | 18:6 | 99-7527 | 2 | Washer-Spring |
| 10 | 95-7548 | 2 | Shim 0.2 | 18:7 | 99-7526 | 2 | Nut |
| 10 | 95-7549 | 2 | Shim 0.3 | | | | |
| 11 | 99-7597 | 4 | Pin-Dowel | | | | |



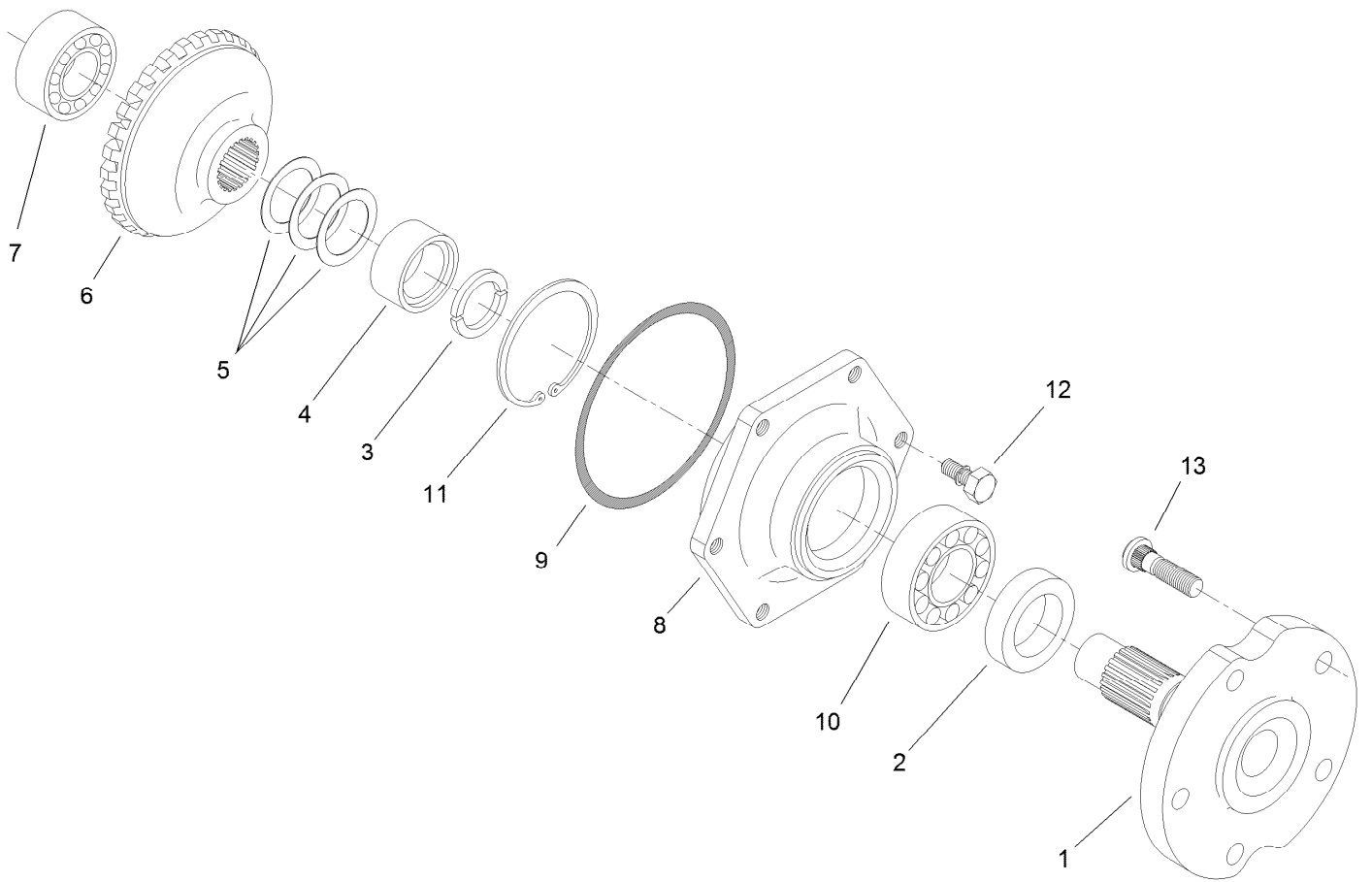
Bevel Gear Shaft Assembly Rear Axle Assembly No. 110-4750

| <i>Ref.</i> | <i>Part Number</i> | <i>Qty.</i> | <i>Description</i> |
|-------------|--------------------|-------------|--------------------------|
| 1 | 95-7509 | 1 | Shaft-Gear, Differential |
| 2 | 95-7512 | 1 | Shaft-Gear, Differential |
| 3 | 95-7517 | 2 | Gear-Bevel, 15 Tooth |
| 4 | 99-7530 | 4 | Bearing-Ball |
| 5 | 99-7552 | 2 | Shim 0.1 |
| 5 | 99-7553 | 2 | Shim 0.2 |
| 5 | 99-7554 | 2 | Shim 0.5 |
| 6 | 99-7531 | 2 | Clip |
| 7 | 110-4753 | 2 | Shaft-Gear, Bevel |
| 8 | 95-7519 | 2 | Gear-Bevel, 17 Tooth |
| 9 | 99-7532 | 2 | Bearing-Roller, Taper |
| 10 | 99-7558 | 2 | Collar |



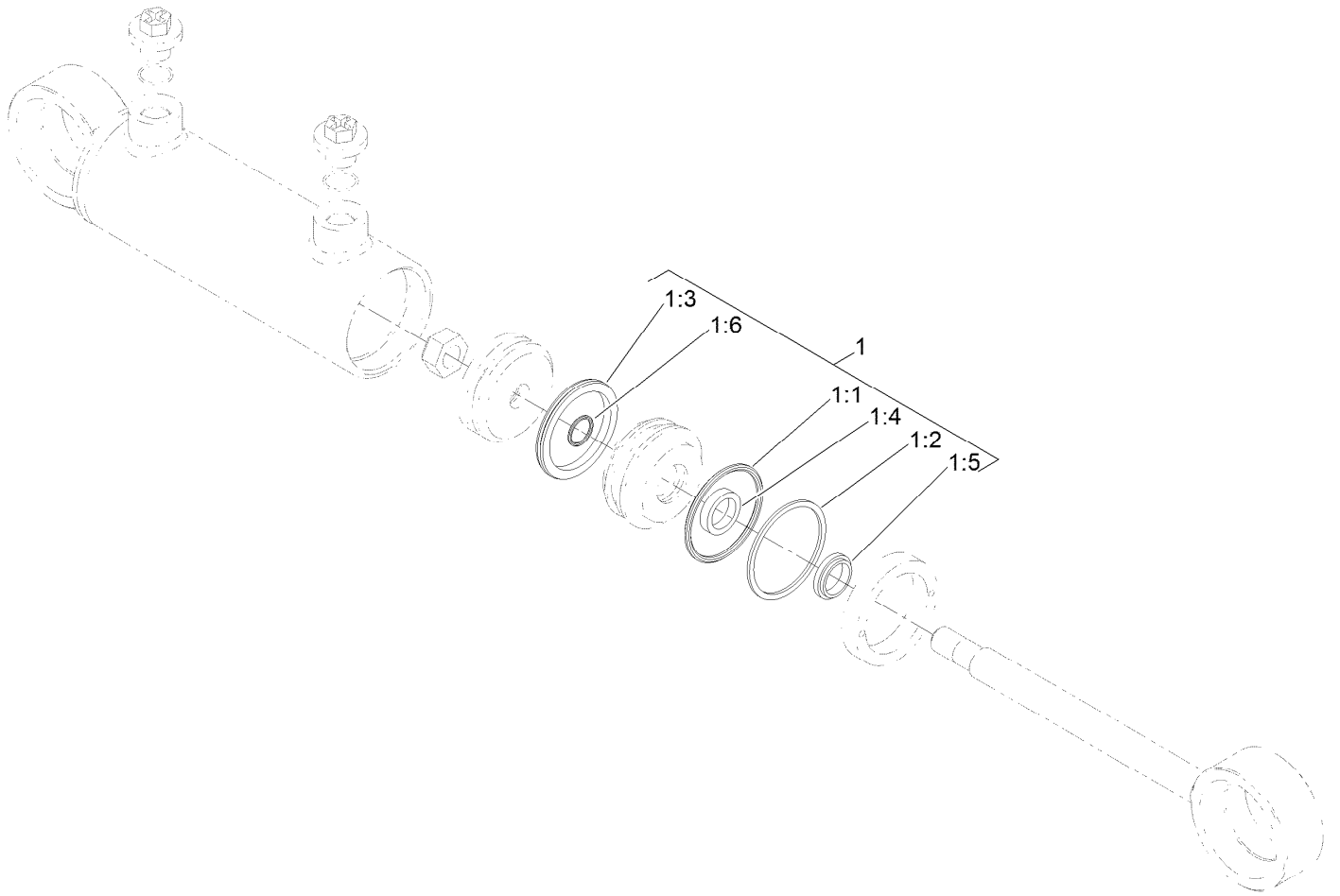
Axle Case Assembly Rear Axle Assembly No. 110-4750

| <i>Ref.</i> | <i>Part Number</i> | <i>Qty.</i> | <i>Description</i> |
|-------------|--------------------|-------------|-----------------------|
| 1 | 110-4751 | 2 | Case-Axle |
| 2 | 99-7535 | 2 | Plug |
| 3 | 99-7536 | 2 | Washer-Seal |
| 4 | 95-7527 | 2 | Gear-Bevel, 17 Tooth |
| 5 | 99-7532 | 2 | Bearing-Roller, Taper |
| 6 | 100-2560 | 2 | Cover |
| 7 | 106-1070 | 2 | O-Ring |
| 8 | 99-7589 | 2 | Plug |
| 9 | 99-7590 | 2 | Washer-Seal |
| 10 | 100-2562 | 8 | Bolt |
| 11 | 106-1102 | 2 | Bolt-Stop |
| 12 | 106-1103 | 2 | Nut |



Axle Assembly Rear Axle Assembly No. 110-4750

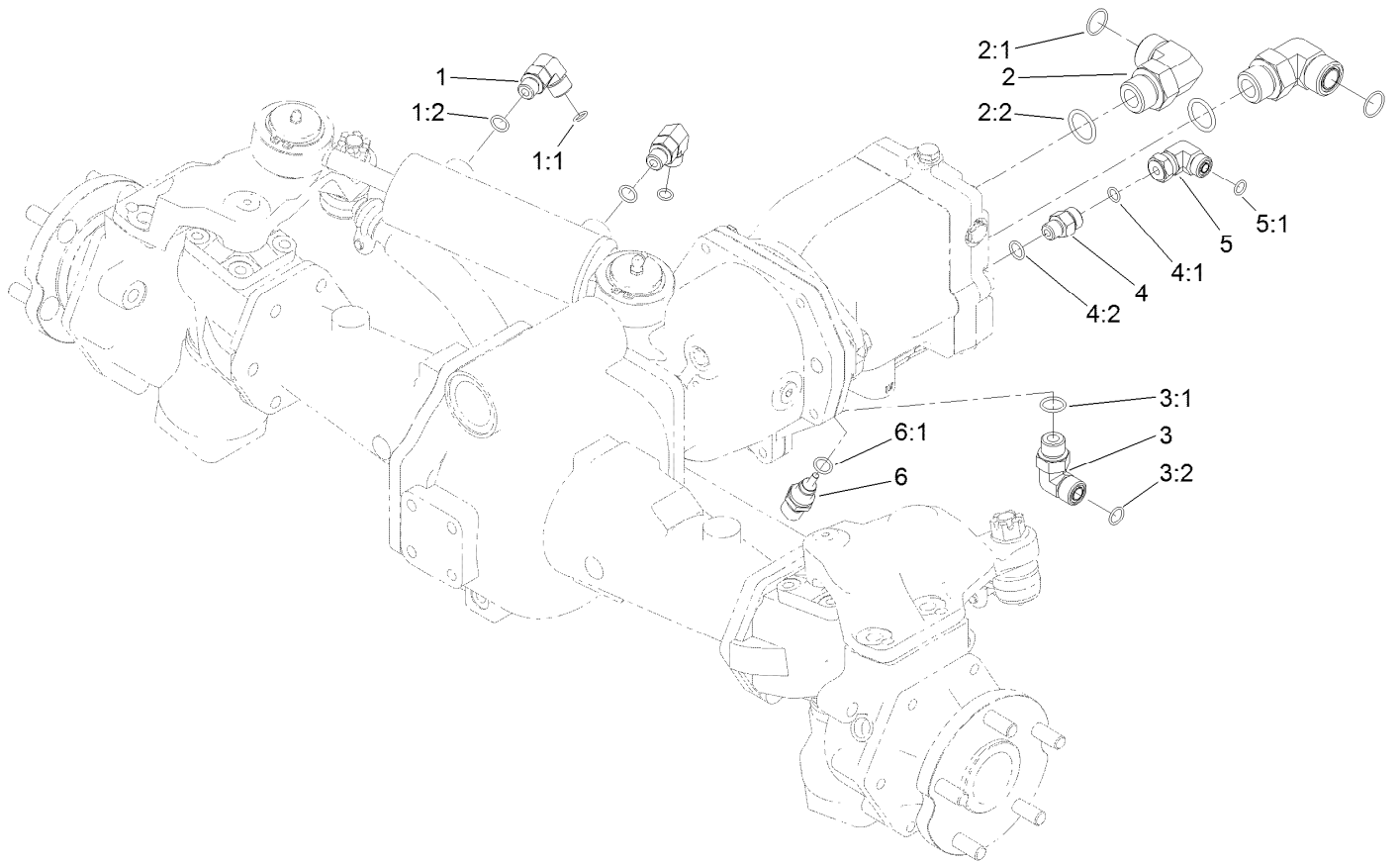
| <i>Ref.</i> | <i>Part Number</i> | <i>Qty.</i> | <i>Description</i> |
|-------------|--------------------|-------------|----------------------|
| 1 | 95-7522 | 2 | Axle |
| 2 | 99-7564 | 2 | Seal-Oil |
| 3 | 95-7544 | 4 | Clip |
| 4 | 95-7523 | 2 | Spacer |
| 5 | 99-7555 | 2 | Shim 0.3 |
| 5 | 99-7556 | 2 | Shim 0.2 |
| 5 | 99-7557 | 2 | Shim 0.5 |
| 6 | 95-7524 | 2 | Gear-Bevel, 29 Tooth |
| 7 | 99-7534 | 2 | Bearing-Ball |
| 8 | 95-7521 | 2 | Cover-Axle |
| 9 | 106-1071 | 2 | O-Ring |
| 10 | 99-7561 | 2 | Bearing-Ball |
| 11 | 99-7539 | 2 | Clip |
| 12 | 99-7596 | 12 | Bolt |
| 13 | 99-7563 | 10 | Stud |



Steering Cylinder Assembly No. 121-1534

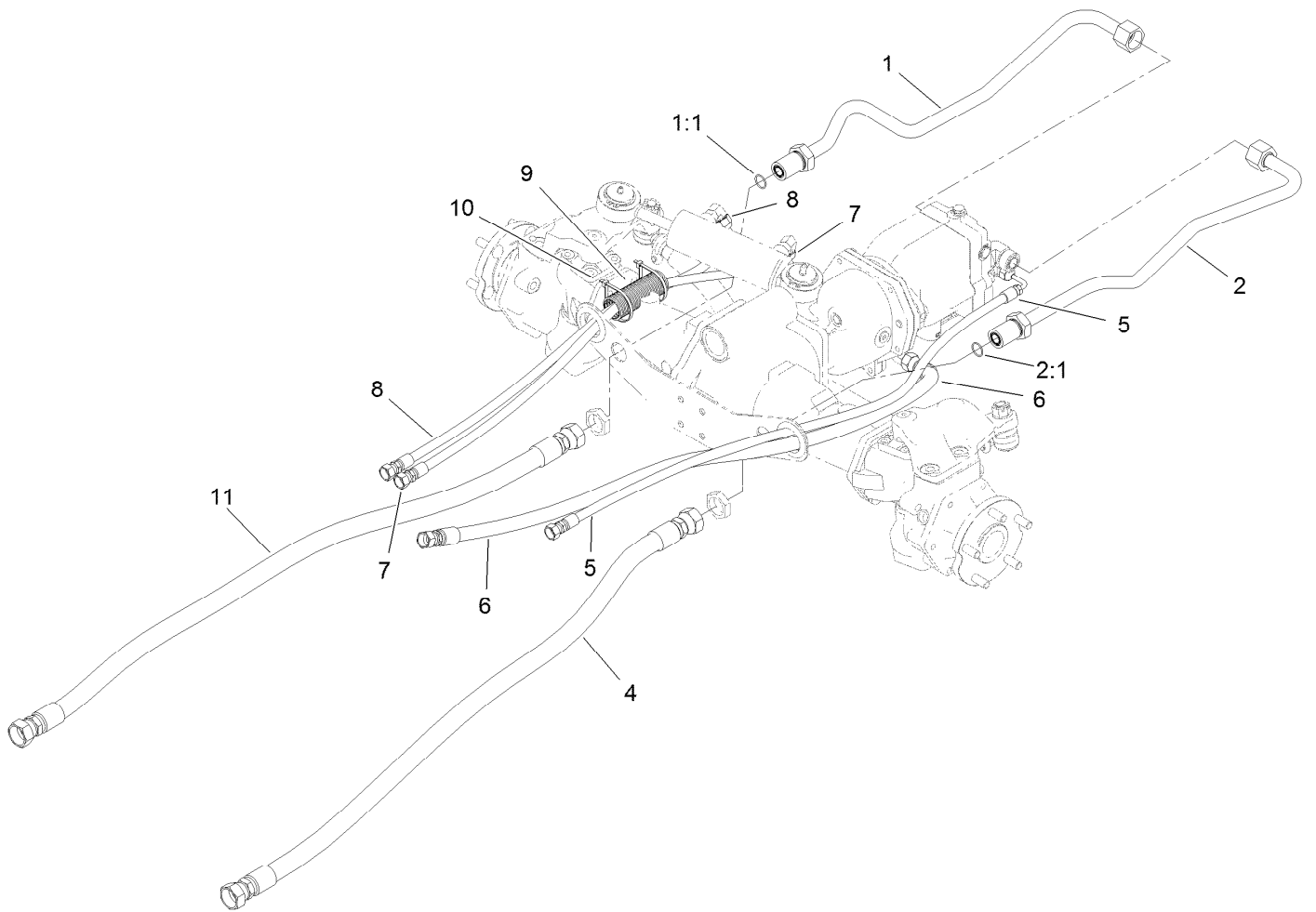
| <i>Ref.</i> | <i>Part Number</i> | <i>Qty.</i> | <i>Description</i> |
|-------------|--------------------|-------------|--------------------|
| 1 | 125-4302 | 1 | Seal Kit |
| 1:1 | | 1 | O-Ring ● |
| 1:2 | | 1 | Backup ● |
| 1:3 | | 1 | Bp Seal ● |
| 1:4 | | 1 | Bt Seal ● |
| 1:5 | | 1 | Dust Seal ● |
| 1:6 | | 1 | O-Ring ● |

● Not serviced separately



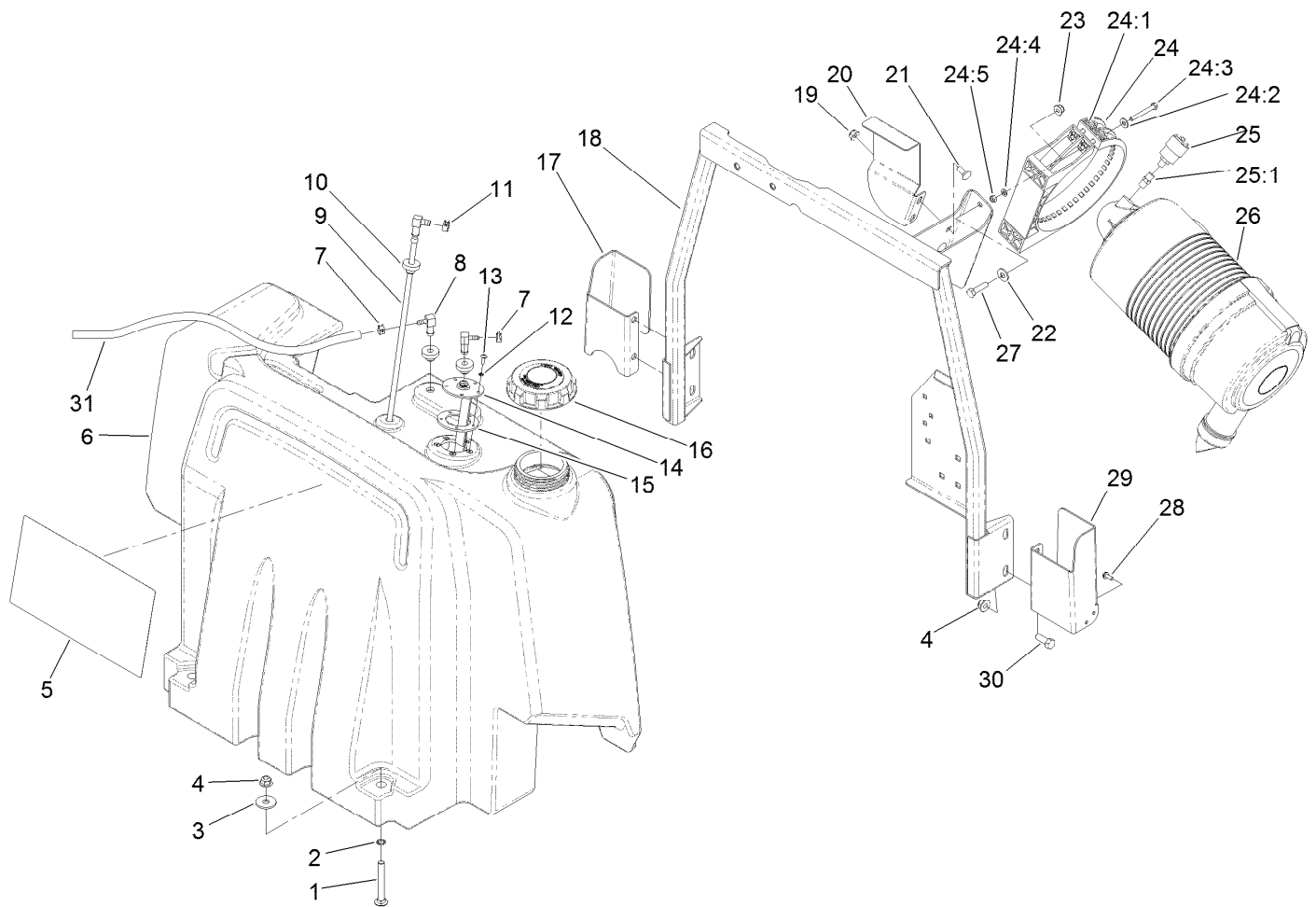
Hydraulic Fitting Assembly

| <i>Ref.</i> | <i>Part Number</i> | <i>Qty.</i> | <i>Description</i> | <i>Ref.</i> | <i>Part Number</i> | <i>Qty.</i> | <i>Description</i> |
|-------------|--------------------|-------------|-----------------------|-------------|--------------------|-------------|---------------------|
| 1 | 340-77 | 2 | Fitting-Elbow, 90 DEG | 3:2 | 237-30 | 1 | O-Ring |
| 1:1 | 237-22 | 1 | O-Ring | 4 | 340-2 | 1 | Fitting-Straight |
| 1:2 | 237-42 | 1 | O-Ring | 4:1 | 237-22 | 1 | O-Ring |
| 2 | 340-142 | 2 | Fitting-Elbow-90 | 4:2 | 237-42 | 1 | O-Ring |
| 2:1 | 237-58 | 1 | O-Ring | 5 | 340-159 | 1 | Fitting-HYD, 90 DEG |
| 2:2 | 237-81 | 1 | O-Ring | 5:1 | 237-22 | 2 | O-Ring |
| 3 | 340-98 | 1 | Fitting-Elbow, 90 DEG | 6 | 110-8829 | 1 | Sender-Temperature |
| 3:1 | 237-79 | 1 | O-Ring | 6:1 | 237-42 | 1 | O-Ring |



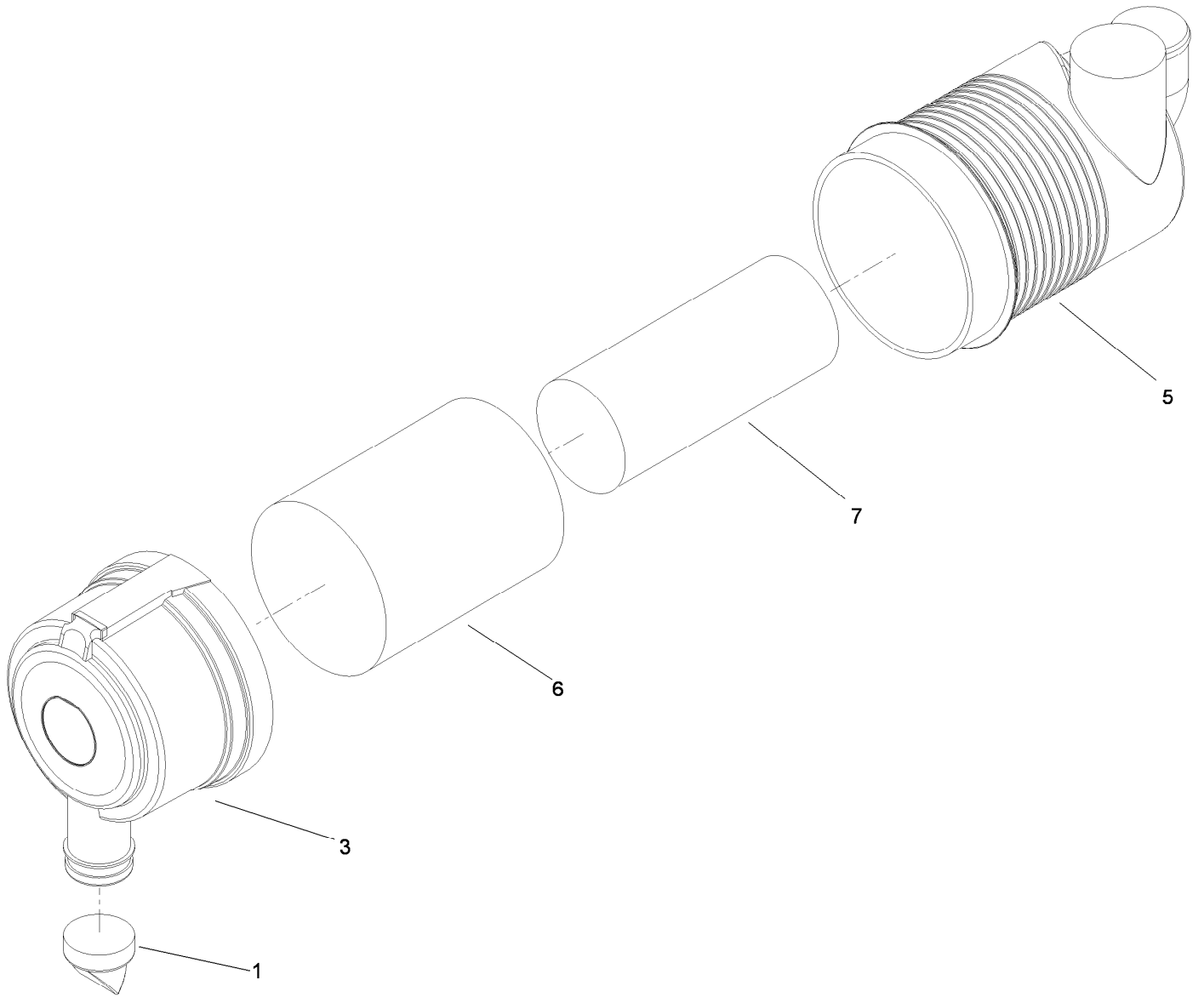
Hose and Tube Routing Assembly

| <i>Ref.</i> | <i>Part Number</i> | <i>Qty.</i> | <i>Description</i> |
|-------------|--------------------|-------------|--------------------|
| 1 | 120-9067 | 1 | HYD Tube ASM |
| 1:1 | 237-58 | 1 | O-Ring |
| 2 | 120-9068 | 1 | Tube ASM |
| 2:1 | 237-58 | 1 | O-Ring |
| 4 | 121-1520 | 1 | Hose-HYD |
| 5 | 121-1459 | 1 | Hose-HYD |
| 6 | 121-1458 | 1 | Hose-HYD |
| 7 | 121-1500 | 1 | Hose-HYD |
| 8 | 121-1501 | 1 | Hose-HYD |
| 9 | 121-1544 | 3 | Cover-Hose |
| 10 | 3290-379 | 6 | Tie-Cable |
| 11 | 121-1683 | 1 | Hose-HYD |



Fuel Tank and Air Cleaner Assembly

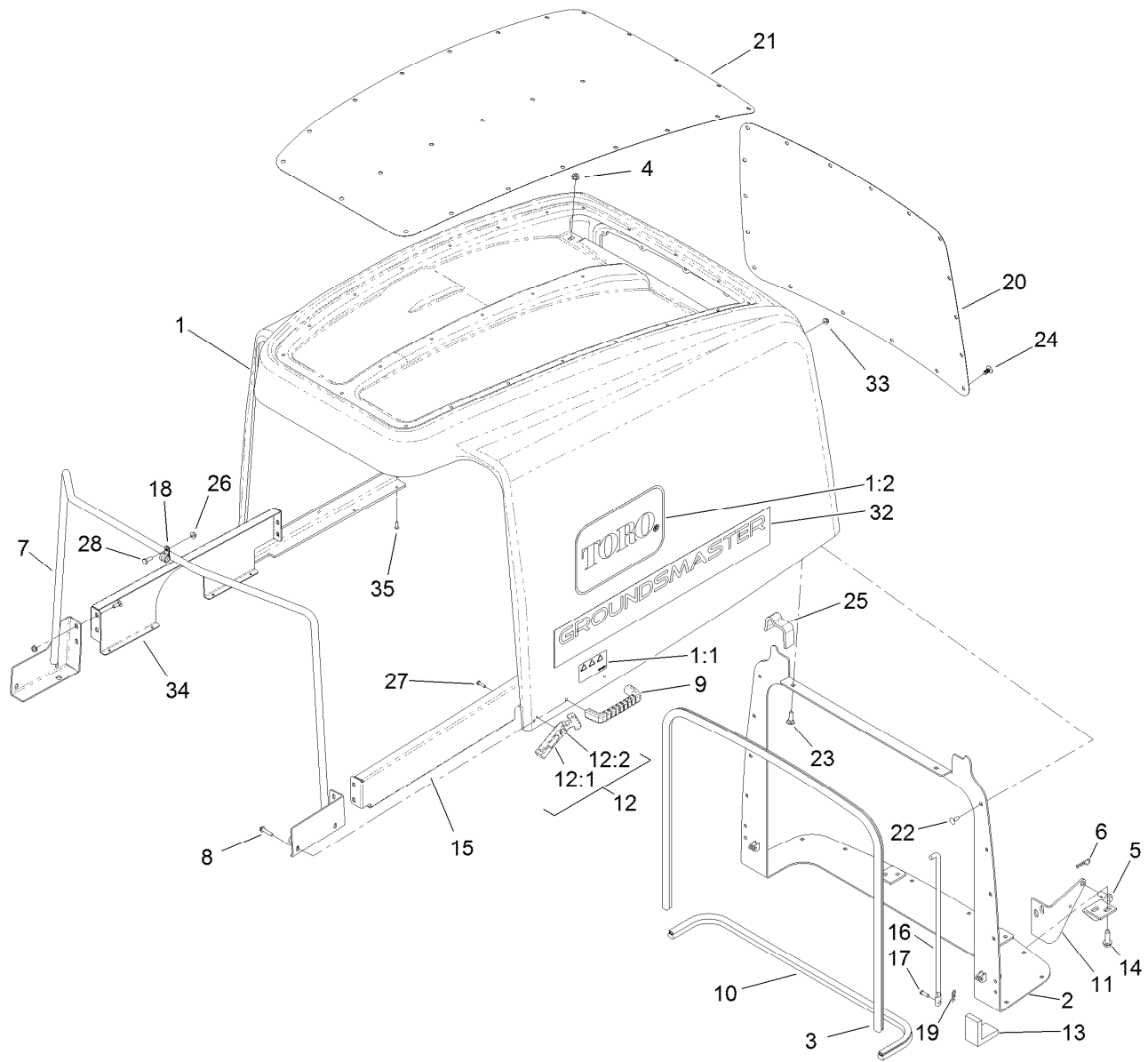
| Ref. | Part Number | Qty. | Description | Ref. | Part Number | Qty. | Description |
|------|-------------|------|-----------------------|------|-------------|------|--------------------|
| 1 | 3231-10 | 2 | Screw-CARR | 20 | 120-4193-03 | 1 | Bracket-Fuel Tank |
| 2 | 32151-72 | 2 | Ring-Retaining | 21 | 3230-1 | 2 | Bolt-CARR |
| 3 | 63-8410 | 2 | Washer | 22 | 3256-3 | 2 | Washer-Flat |
| 4 | 104-8301 | 6 | Nut-HF, NI | 23 | 104-8300 | 2 | Nut-HF, NI |
| 5 | 121-1678 | 1 | Decal-Service | 24 | 99-5414 | 1 | Strap-Cleaner, Air |
| 6 | 120-4195 | 1 | Tank-Fuel | 24:1 | 108-1512 | 2 | Spring |
| 7 | 2412-98 | 2 | Clamp-Hose | 24:2 | 3256-22 | 2 | Washer-Flat |
| 8 | 104-5228 | 2 | Fitting-Elbow, 90 DEG | 24:3 | 33113-050 | 2 | Screw-HH |
| 9 | 120-8908 | 1 | Pipe-Stand | 24:4 | 33093-00 | 2 | Washer-Flat |
| 10 | 46-6560 | 3 | Bushing | 24:5 | 33023-00 | 2 | Nut-Lock |
| 11 | 92-2379 | 1 | Clamp-Hose | 25 | 104-3563 | 1 | Indicator |
| 12 | 3253-15 | 5 | Washer-Lock | 25:1 | 94-1416 | 1 | Adapter-Indicator |
| 13 | 32122-24 | 5 | Screw-PTH | 26 | 99-5410 | 1 | Air Cleaner ASM |
| 14 | 120-8912 | 1 | Sender-Fuel | 27 | 322-6 | 2 | Screw-HH |
| 15 | 62-7650 | 1 | Gasket | 28 | 32144-1 | 4 | Screw-Taptite |
| 16 | 119-8266 | 1 | Cap-Fuel (Biodiesel) | 29 | 121-1513-03 | 1 | Bracket-Latch, LH |
| 17 | 121-1514-03 | 1 | Bracket-Latch, RH | 30 | 323-6 | 4 | Screw-HH |
| 18 | 120-4190-03 | 1 | Support-Tank | 31 | 110-5701 | 1 | Hose-Fuel |
| 19 | 104-8300 | 2 | Nut-HF, NI | | | | |



Air Cleaner Assembly No. 99-5410

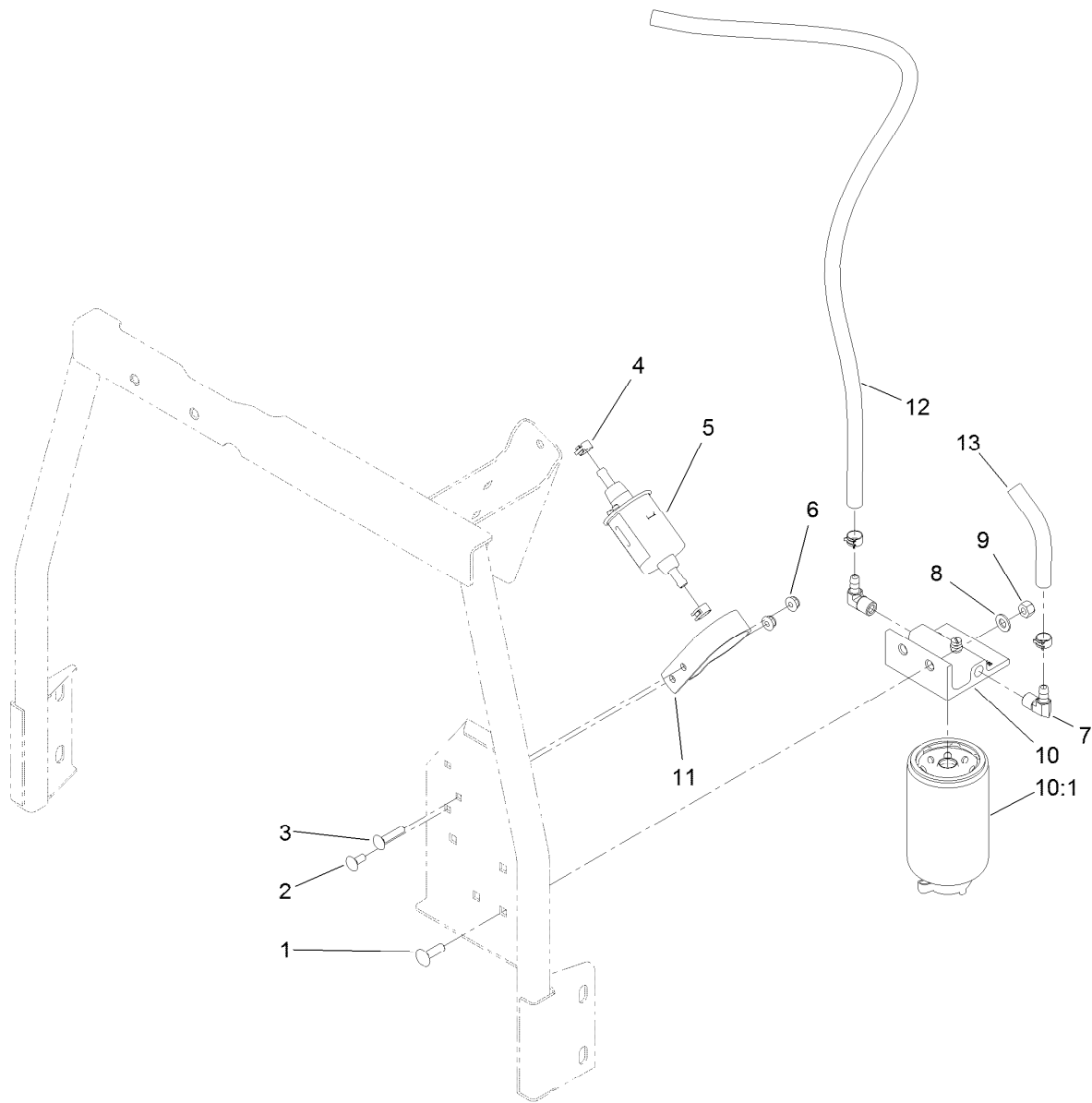
| Ref. | Part Number | Qty. | Description |
|------|-------------|------|----------------|
| 1 | 104-4258 | 1 | Valve-Vacuator |
| 3 | 104-4259 | 1 | Cover |
| 5 | | 1 | Body ASM ● |
| 6 | 108-3814 | 1 | Filter-Air |
| 7 | 108-3816 | 1 | Filter-Air |

● Not serviced separately



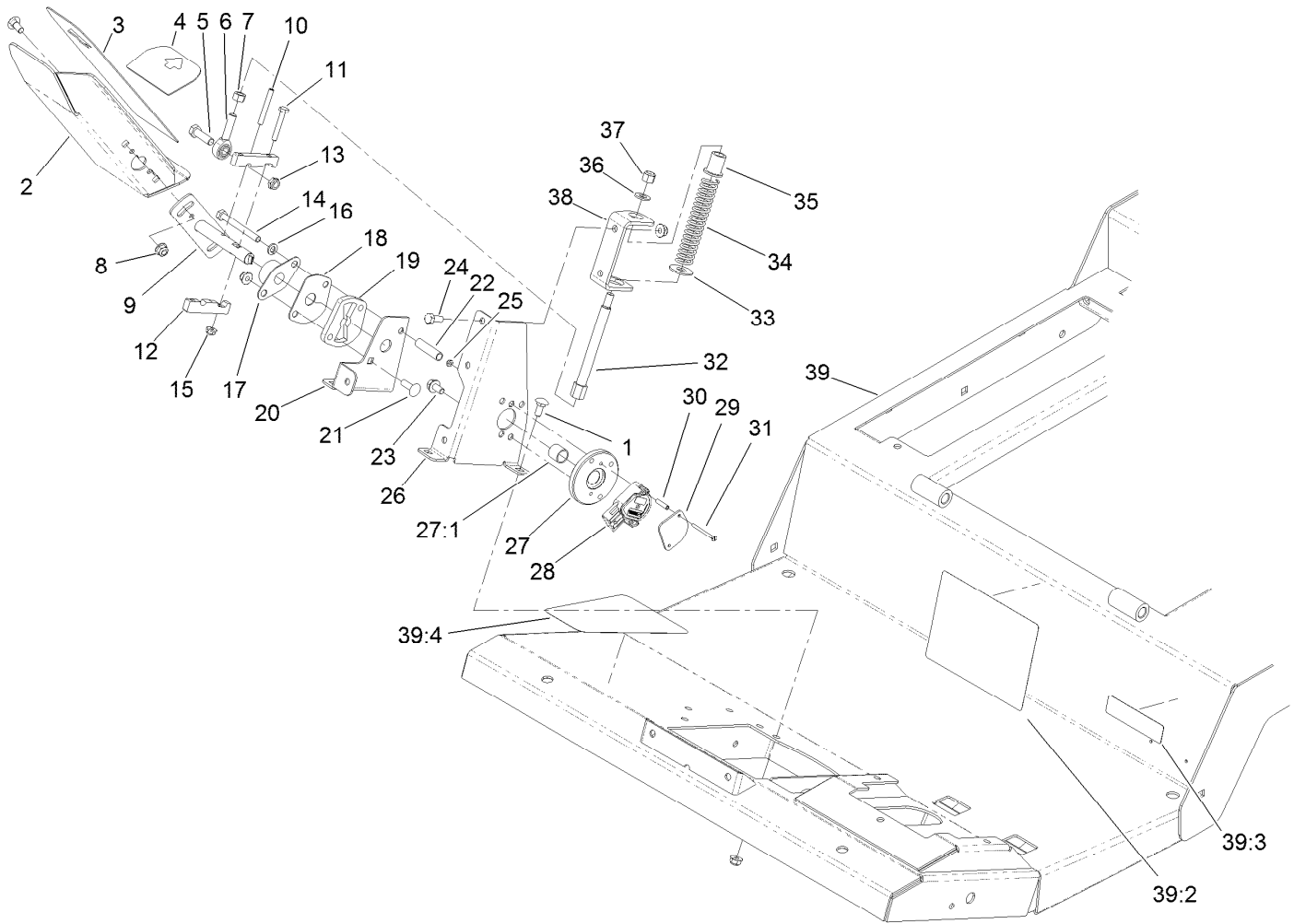
Hood and Screen Assembly

| Ref. | Part Number | Qty. | Description | Ref. | Part Number | Qty. | Description |
|------|-------------|------|-------------------------|------|-------------|------|-------------------|
| 1 | 120-9090 | 1 | Hood ASM | 15 | 120-8949-03 | 1 | Support-Hood, LH |
| 1:1 | 106-6754 | 1 | Decal-Danger | 16 | 104-8313 | 2 | Rod-Hood |
| 1:2 | 66-1210 | 2 | Decal | 17 | 283-67 | 2 | Pin-Clevis |
| 2 | 120-9099-03 | 1 | Pivot-Hood | 18 | 2412-134 | 2 | Clamp-R |
| 3 | 114-3823 | 1 | Seal-Bulb | 19 | 3290-307 | 2 | Pin-Cotter |
| 4 | 104-8300 | 2 | Nut-HF, NI | 20 | 120-9096-03 | 1 | Screen-Hood, Rear |
| 5 | 121-1470 | 2 | Pivot-Screen | 21 | 120-9097-03 | 1 | Screen-Hood, Top |
| 6 | 3290-467 | 2 | Pin-Hair | 22 | 3229-1 | 24 | Bolt-CARR |
| 7 | 120-4196-03 | 1 | Support-Hood | 23 | 3230-2 | 2 | Bolt-CARR |
| 8 | 46-8092 | 4 | Screw-Plastite | 24 | 117-2382 | 43 | Plug-Plastic |
| 9 | 65-5100 | 2 | Handle-Door | 25 | 120-9087 | 2 | Seal-Foam |
| 10 | 104-3590 | 1 | Seal-Bulb | 26 | 32128-33 | 2 | Nut-HF |
| 11 | 104-3588-03 | 2 | Pivot-Screen | 27 | 32104-4 | 2 | Screw |
| 12 | 94-5626 | 2 | Flexible Draw Latch ASM | 28 | 321-4 | 2 | Screw-HH |
| 12:1 | 103-4080 | 1 | Latch-Rubber | 32 | 105-7360 | 2 | Decal-Hood |
| 12:2 | 103-4081 | 1 | Latch-Keeper | 33 | 104-7201 | 24 | Nut-HF |
| 13 | 104-3580 | 2 | Seal-Corner, Screen | 34 | 120-8948-03 | 1 | Support-Hood, RH |
| 14 | 32144-109 | 8 | Screw-Thd Form HWH | 35 | 3269-4 | 8 | Rivet-Pop |



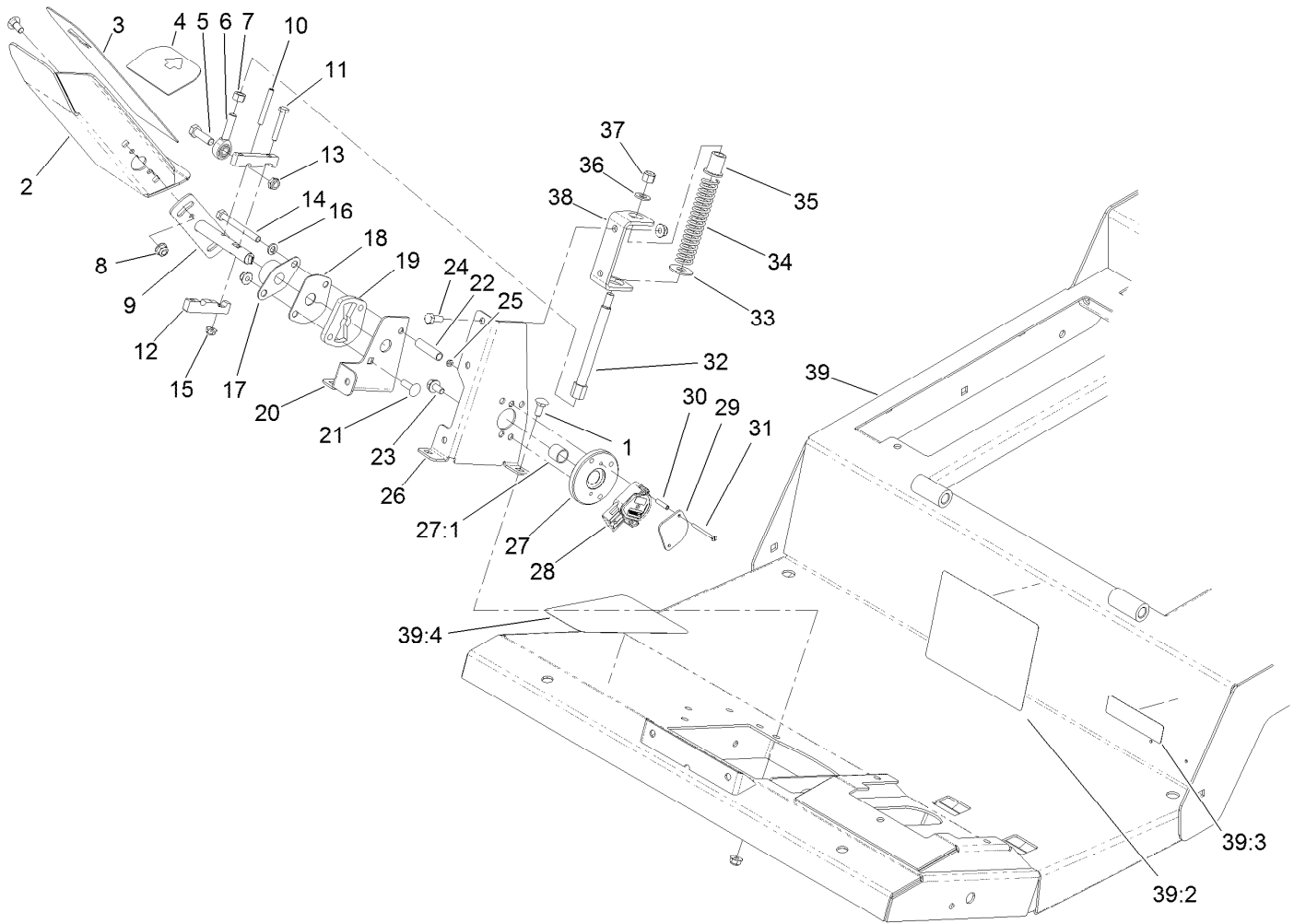
Fuel / Water Separator Assembly

| Ref. | Part Number | Qty. | Description |
|------|-------------|------|--------------------|
| 1 | 3230-22 | 2 | Screw-CARR |
| 2 | 3229-11 | 1 | Screw-CARR |
| 3 | 3229-3 | 1 | Screw-CARR |
| 4 | 92-2379 | 4 | Clamp-Hose |
| 5 | 110-8806 | 1 | Pump-Fuel |
| 6 | 104-7201 | 2 | Nut-HF |
| 7 | 353-781 | 2 | Fitting-Elb, 90 |
| 8 | 3256-23 | 2 | Washer-Plain |
| 9 | 3296-29 | 2 | Nut-Lock, NI |
| 10 | 110-9044 | 1 | Separator-Filter |
| 10:1 | 110-9049 | 1 | Filter-Spin On |
| 11 | 110-8817 | 1 | Bracket-Pump, Fuel |
| 12 | 110-6186 | 1 | Hose-Fuel |
| 13 | 109-0310 | 1 | Hose-Fuel |



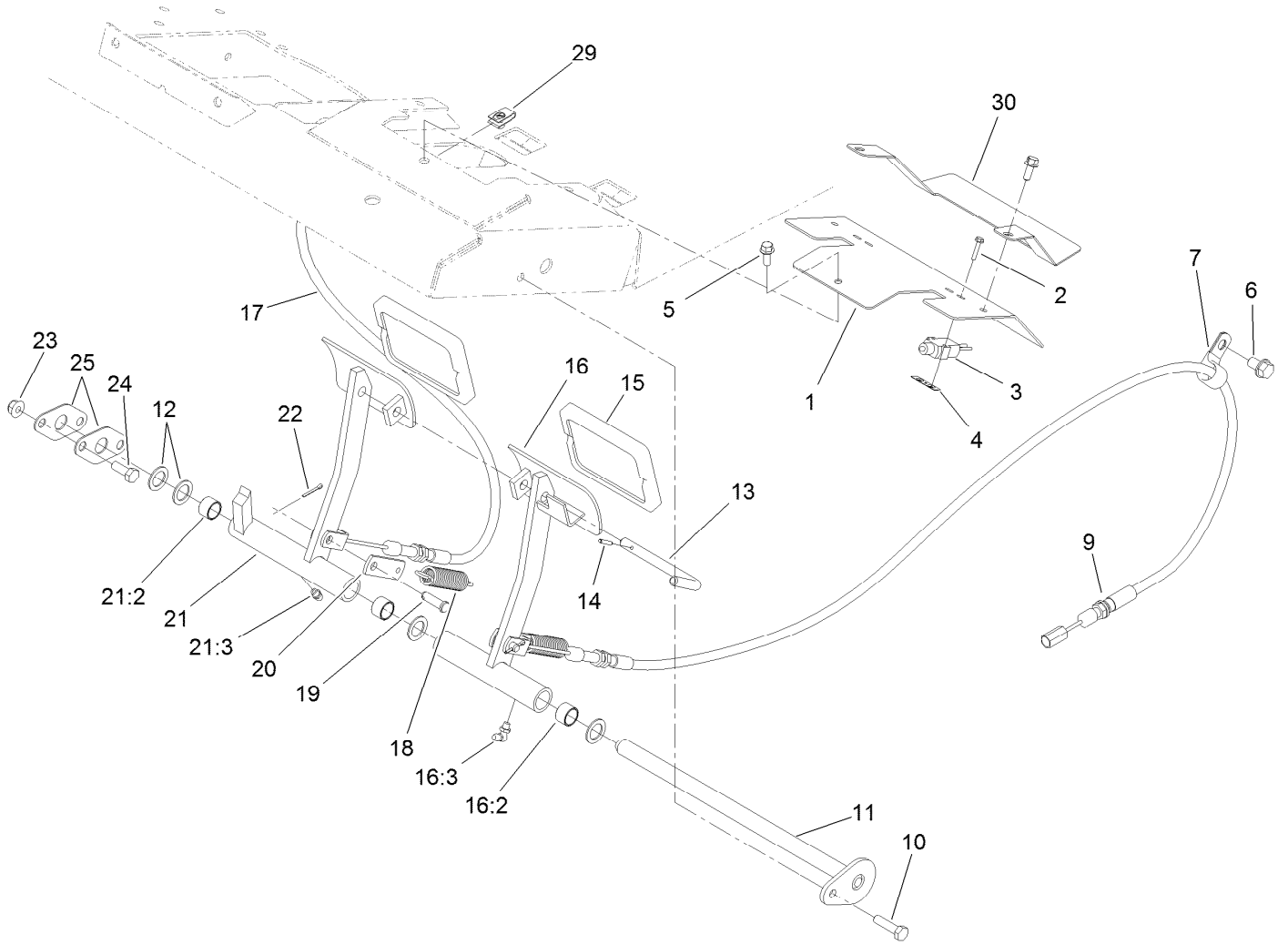
Traction Pedal Assembly

| <i>Ref.</i> | <i>Part Number</i> | <i>Qty.</i> | <i>Description</i> | <i>Ref.</i> | <i>Part Number</i> | <i>Qty.</i> | <i>Description</i> |
|-------------|--------------------|-------------|-----------------------|-------------|--------------------|-------------|-------------------------------|
| 1 | 3230-1 | 6 | Bolt-CARR | 22 | 93-7960 | 1 | Spacer |
| 2 | 110-5986-01 | 1 | Pedal-Traction | 23 | 114-7728 | 2 | Screw-Threadlock |
| 3 | 93-5347 | 1 | Abrasive-Pedal | 24 | 322-3 | 5 | Screw-HH |
| 4 | 93-5368 | 1 | Abrasive-Pedal | 25 | 3296-9 | 6 | Nut-Hex |
| 5 | 323-7 | 1 | Screw-HH | 26 | 117-5451-01 | 1 | Bracket-Sensor |
| 6 | 2411-36 | 1 | Bearing-End, Rod | 27 | 117-5445 | 1 | Bushing Hub ASM |
| 7 | 3219-3 | 1 | Nut-Hex | 27:1 | 95-7497 | 1 | Bushing-Wheel |
| 8 | 104-8300 | 10 | Nut-HF, NI | 28 | 114-5609 | 1 | Sensor-Position |
| 9 | 117-5450 | 1 | Shaft-Pedal, Traction | 29 | 114-5595 | 1 | Plate-Capture |
| 10 | 32121-78 | 1 | Pin-Roll | 30 | 114-5608 | 2 | Spacer-Standoff |
| 11 | 321-37 | 2 | Screw-HH | 31 | 32105-25 | 2 | Screw-SHH |
| 12 | 117-5459 | 2 | Block-Clamp | 32 | 117-5446 | 1 | Shaft-Spring |
| 13 | 3296-59 | 1 | Nut-Lock, NI | 33 | 3256-5 | 1 | Washer-Flat |
| 14 | 322-14 | 1 | Screw-HH | 34 | 84-9100 | 1 | Spring |
| 15 | 104-7201 | 2 | Nut-HF | 35 | 92-7610 | 1 | Retainer-Spring |
| 16 | 3253-4 | 1 | Washer-Lock | 36 | 3256-24 | 1 | Washer-Flat |
| 17 | 256-236 | 1 | Bearing-Mount, Flange | 37 | 3296-6 | 1 | Nut-Lock |
| 18 | 117-5455 | 1 | Plate-Cover | 38 | 117-5452-01 | 1 | Bracket-Spring |
| 19 | 117-5454 | 1 | Plate-Butterfly | 39 | 120-4087 | 1 | Platform ASM |
| 20 | 117-5453-01 | 1 | Bracket-Butterfly | 39:2 | 114-0846 | 1 | Decal-Instructions, Operating |
| 21 | 3230-22 | 1 | Screw-CARR | | | | |



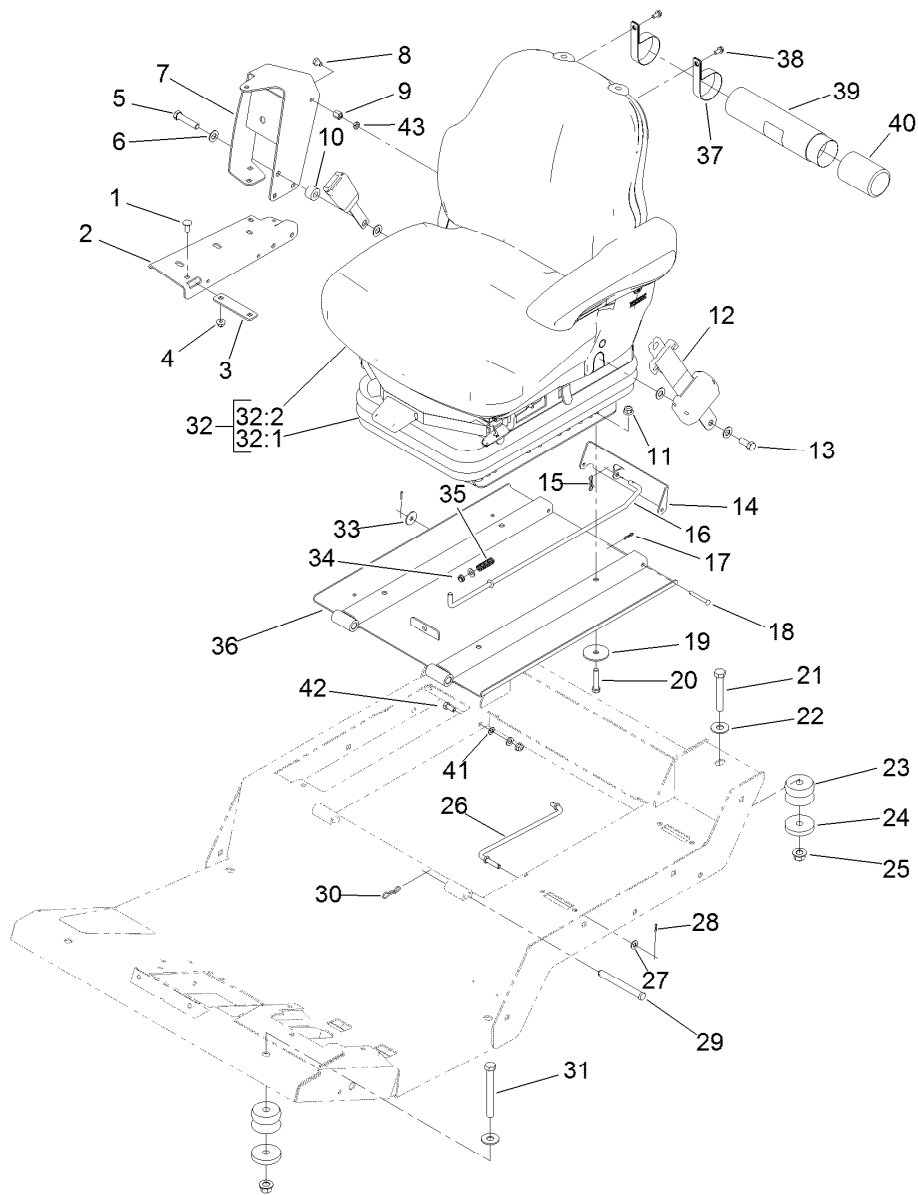
Traction Pedal Assembly (continued)

| <i>Ref.</i> | <i>Part Number</i> | <i>Qty.</i> | <i>Description</i> |
|-------------|--------------------|-------------|-----------------------|
| 39:3 | 117-2718 | 1 | Decal-Arrester, Spark |
| 39:4 | 114-0849 | 1 | Decal-Pedal, Traction |



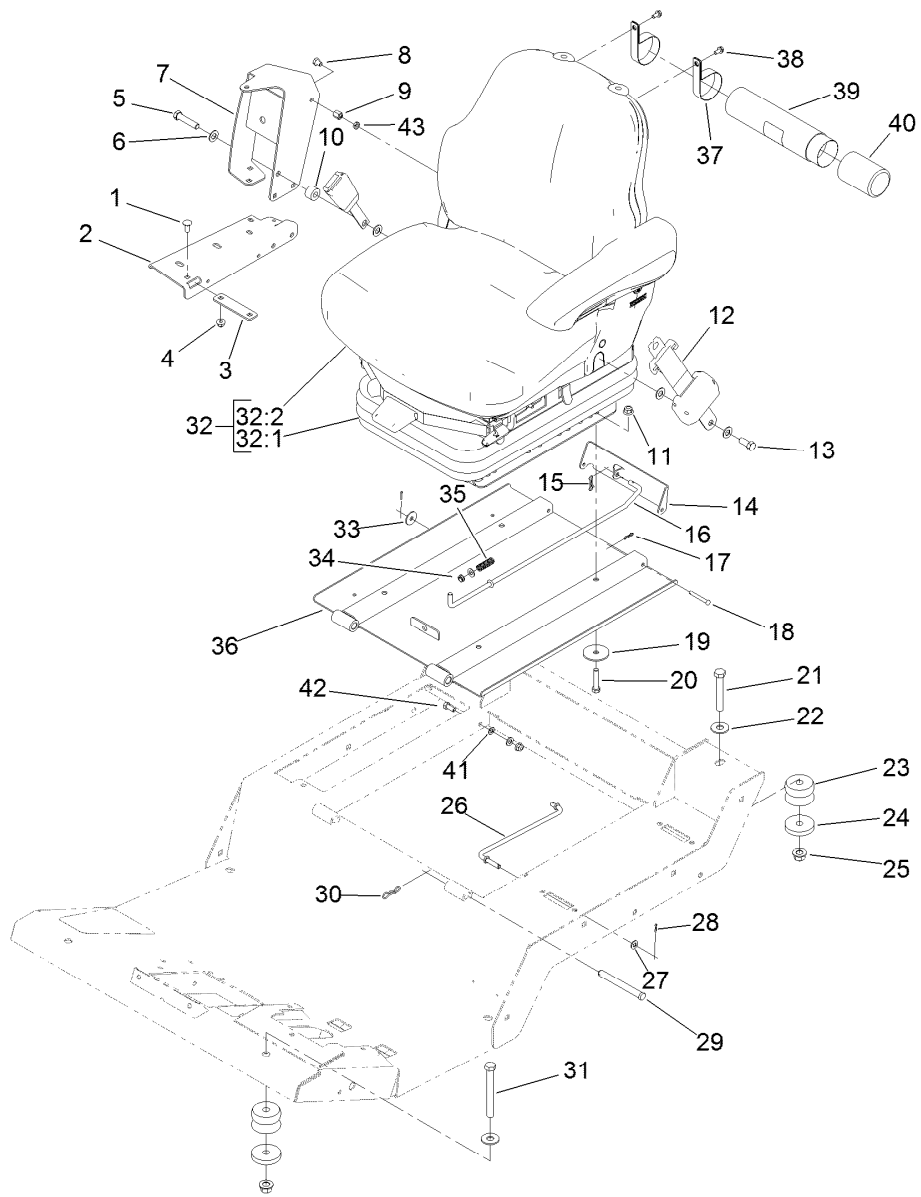
Brake Pedal Assembly

| <i>Ref.</i> | <i>Part Number</i> | <i>Qty.</i> | <i>Description</i> | <i>Ref.</i> | <i>Part Number</i> | <i>Qty.</i> | <i>Description</i> |
|-------------|--------------------|-------------|--------------------|-------------|--------------------|-------------|--------------------|
| 1 | 120-4163-01 | 1 | Cover-Brake | 16:2 | 256-42 | 2 | Bushing |
| 2 | 117-5458 | 4 | Screw-HHF | 16:3 | 302-60 | 1 | Fitting-Grease |
| 3 | 99-3410 | 2 | Switch | 17 | 120-8898 | 1 | Cable-Brake, RH |
| 4 | 108-9824 | 2 | Nut-Switch | 18 | 93-5262 | 2 | Spring-Extension |
| 5 | 3234-33 | 3 | Screw-HHF | 19 | 283-61 | 2 | Pin-Yoke |
| 6 | 32144-69 | 2 | Screw-HWHTF | 20 | 100-5540 | 2 | Strap-Brake |
| 7 | 2412-4 | 2 | Clamp-R | 21 | 75-1430 | 1 | RH Brake Pedal ASM |
| 9 | 120-8899 | 1 | Cable-Brake, LH | 21:2 | 256-42 | 2 | Bushing |
| 10 | 322-6 | 1 | Screw-HH | 21:3 | 302-5 | 1 | Fitting-Grease |
| 11 | 120-4167 | 1 | Pin-Flag | 22 | 3272-6 | 2 | Pin-Cotter |
| 12 | 3256-69 | 4 | Washer-Flat | 23 | 104-8300 | 3 | Nut-HF, NI |
| 13 | 63-7880 | 1 | Pin-Latch, Brake | 24 | 322-4 | 2 | Screw-HH |
| 14 | 32121-50 | 1 | Pin-Spring | 25 | 120-4168 | 2 | Plate-Support |
| 15 | 93-8742 | 2 | Footpad-Brake | 29 | 107069 | 3 | Clip |
| 16 | 120-4170 | 1 | LH Brake Pedal ASM | 30 | 121-1596-01 | 1 | Cover-Brakes |



Seat Base and Seat Assembly

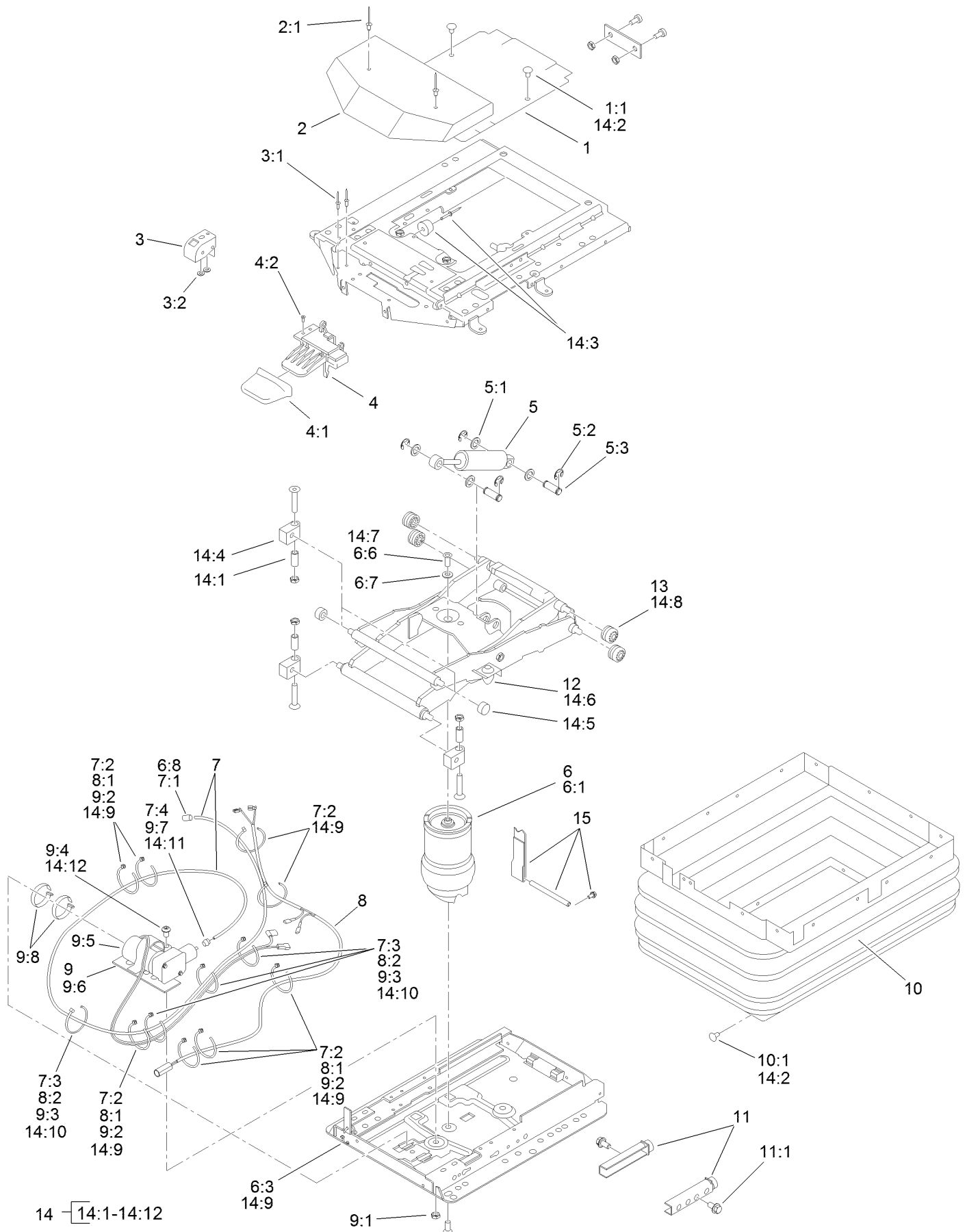
| Ref. | Part Number | Qty. | Description | Ref. | Part Number | Qty. | Description |
|------|-------------|------|----------------------|------|-------------|------|-------------------------|
| 1 | 3230-23 | 6 | Screw-CARR | 22 | 3256-6 | 4 | Washer-Flat |
| 2 | 119-0000-03 | 1 | Channel-Support | 23 | 110-5954 | 4 | Mount-Center, Bonded |
| 3 | 112-7449-03 | 1 | Bracket-Support | 24 | 115-5519 | 4 | Washer-Plain |
| 4 | 104-8300 | 6 | Nut-HF, NI | 25 | 99-5107 | 4 | Nut-Lock |
| 5 | 3212-8 | 1 | Screw-HH | 26 | 93-5338 | 1 | Rod-Prop |
| 6 | 3256-25 | 4 | Washer-Flat | 27 | 3256-23 | 3 | Washer-Plain |
| 7 | 117-4798-03 | 1 | Arm-Support | 28 | 3272-5 | 2 | Pin-Cotter |
| 8 | 108-8646 | 1 | Screw-HH, Lock | 29 | 283-83 | 2 | Pin-Clevis |
| 9 | 112-7405 | 1 | Nut-Hex, Coupling | 30 | 119-1416 | 2 | Pin-Cotter, Locking |
| 10 | 17-7190 | 1 | Spacer-Finger | 31 | 702093 | 2 | Screw-HH |
| 11 | 104-8301 | 4 | Nut-HF, NI | 32 | 117-5677 | 1 | Seat And Suspension ASM |
| 12 | 110-0413 | 1 | Seatbelt-Retractable | 32:1 | 108-1488 | 1 | Seat Suspension ASM |
| 13 | 3212-4 | 1 | Screw-HH | 32:2 | 117-5676 | 1 | Premium Seat ASM |
| 14 | 120-9017-03 | 1 | Latch-Seat | 33 | 3256-82 | 1 | Washer-Flat |
| 15 | 119-1415 | 1 | Pin-Cotter, Locking | 34 | 5979 | 1 | Bushing-Nyliner |
| 16 | 120-9018 | 1 | Rod-Latch | 35 | 95-1821-03 | 1 | Spring-Compression |
| 17 | 119-1414 | 2 | Pin-Cotter, Locking | 36 | 120-4078-03 | 1 | Plate-Seat |
| 18 | 283-57 | 2 | Pin-Clevis | 37 | 2412-133 | 2 | Clamp-R |
| 19 | 83-1040 | 4 | Washer-Flat | 38 | 32104-116 | 2 | Screw-HWHTF |
| 20 | 323-9 | 4 | Screw-HH | 39 | 104-7050 | 1 | Tube-Manual |
| 21 | 112-7264 | 4 | Screw-HH | 40 | 104-7048 | 1 | Cap-Housing |



Seat Base and Seat Assembly (continued)

| <i>Ref.</i> | <i>Part Number</i> | <i>Qty.</i> | <i>Description</i> | <i>Ref.</i> | <i>Part Number</i> | <i>Qty.</i> | <i>Description</i> |
|-------------|--------------------|-------------|--------------------|-------------|--------------------|-------------|--------------------|
| 41 | 3255-8 | 1 | Washer-Lock | 42 | 322-3 | 1 | Screw-HH |
| | | | | 43 | 117-4059 | 1 | Nut-Hex |

Air Ride Seat Suspension Assembly No. 108-1488

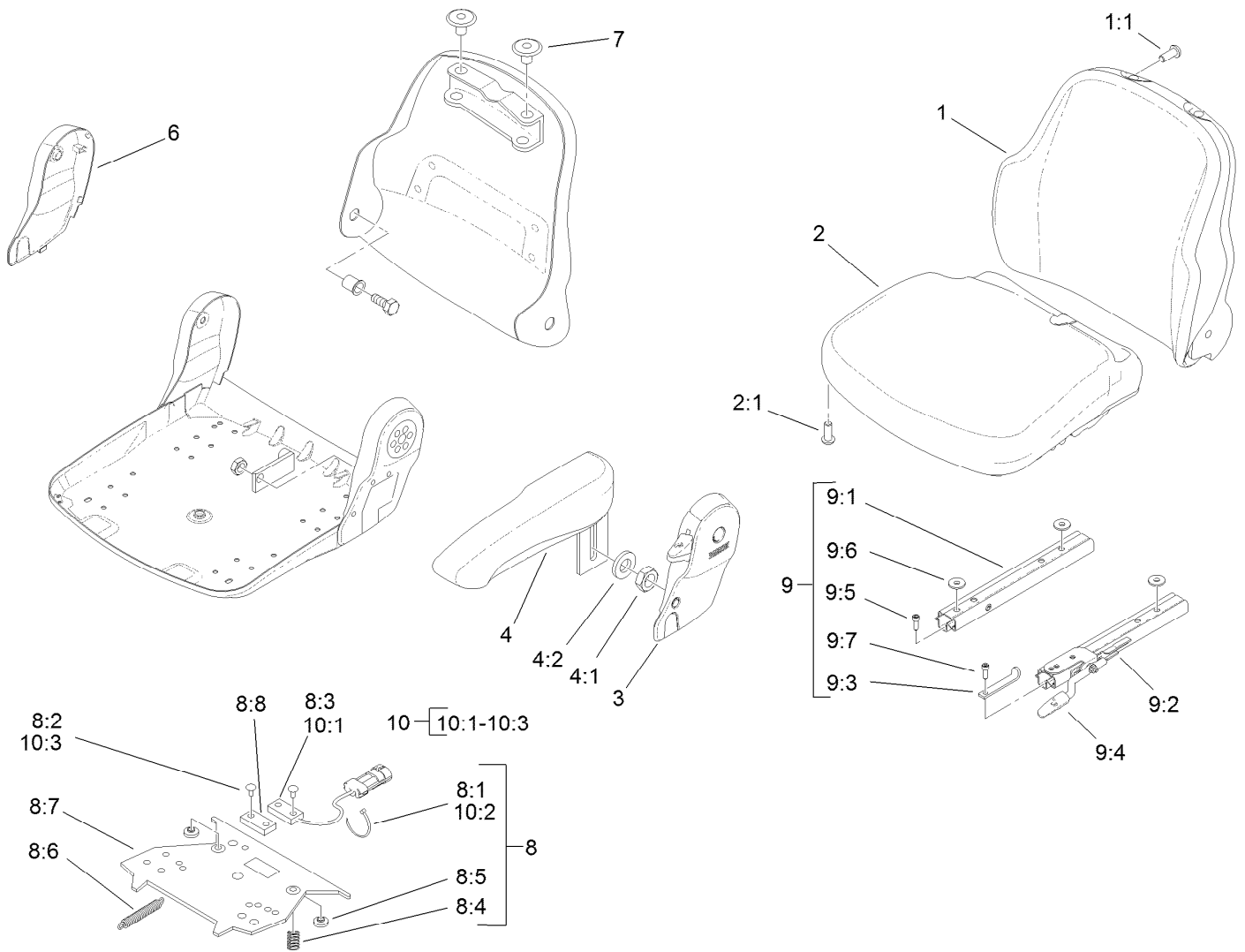


Air Ride Seat Suspension Assembly No. 108-1488 (continued)

| <i>Ref.</i> | <i>Part Number</i> | <i>Qty.</i> | <i>Description</i> | <i>Ref.</i> | <i>Part Number</i> | <i>Qty.</i> | <i>Description</i> |
|-------------|--------------------|-------------|----------------------|-------------|--------------------|-------------|--------------------|
| 1 | 108-8026 | 1 | Cover ASM | 9:1 | | 1 | Nut ■ |
| 1:1 | 39-5710 | 2 | Plug-Plastic | 9:2 | | 5 | Tie-Wire ■ |
| 2 | 108-8027 | 1 | Cover | 9:3 | | 4 | Tie-Wire ■ |
| 2:1 | | 2 | Rivet ■ | 9:4 | | 1 | Screw ■ |
| 3 | 108-8028 | 1 | Level Indicator Kit | 9:5 | | 1 | Compressor ■ |
| 3:1 | | 2 | Rivet ■ | 9:6 | | 1 | Plate-Mounting ■ |
| 3:2 | | 2 | Washer ■ | 9:7 | | 1 | Nipple-Hose ■ |
| 4 | 108-8029 | 1 | Valve-Control, Air | 9:8 | | 2 | Clamp ■ |
| 4:1 | | 1 | Handle ■ | 10 | 108-8035 | 1 | Bellows ASM |
| 4:2 | | 3 | Screw ■ | 10:1 | 39-5710 | 23 | Plug-Plastic |
| 5 | 108-8030 | 1 | Shock Absorber Kit | 11 | 108-8036 | 1 | Stop Kit |
| 5:1 | | 4 | Washer ■ | 11:1 | | 2 | Screw ■ |
| 5:2 | | 4 | C-Clip ■ | 12 | 107-1213 | 2 | Bumper Set |
| 5:3 | | 2 | Pin ■ | 13 | 108-8037 | 4 | Roller |
| 6 | 108-8031 | 1 | Air Spring Kit | 14 | 108-8038 | 1 | Wear Parts Kit ● |
| 6:1 | | 1 | Air Spring ■ | 14:1 | | 4 | Spacer ■ |
| 6:3 | | 2 | Cable Tie ■ | 14:2 | 39-5710 | 2 | Plug-Plastic |
| 6:6 | | 2 | Screw ■ | 14:3 | | 1 | Bumper ■ |
| 6:7 | | 1 | Washer ■ | 14:4 | | 4 | Support-Housing ■ |
| 6:8 | | 1 | Nipple-Hose ■ | 14:5 | | 2 | Roller ■ |
| 7 | 108-8032 | 1 | Air Tube ASM | 14:6 | 107-1213 | 2 | Bumper Set |
| 7:1 | | 1 | Nipple-Hose ■ | 14:7 | | 2 | Screw ■ |
| 7:2 | | 7 | Tie-Wire ■ | 14:8 | 108-8037 | 4 | Roller |
| 7:3 | | 4 | Tie-Wire ■ | 14:9 | | 9 | Tie-Wire ■ |
| 7:4 | | 1 | Nipple-Hose ■ | 14:10 | | 4 | Tie-Wire ■ |
| 8 | 108-8033 | 1 | Connecting Cable ASM | 14:11 | | 1 | Nipple-Hose ■ |
| 8:1 | | 8 | Tie-Wire ■ | 14:12 | | 1 | Screw ■ |
| 8:2 | | 4 | Tie-Wire ■ | 15 | 119-2161 | 1 | Tether Kit |
| 9 | 108-8034 | 1 | Compressor Kit | | | | |

● Not illustrated

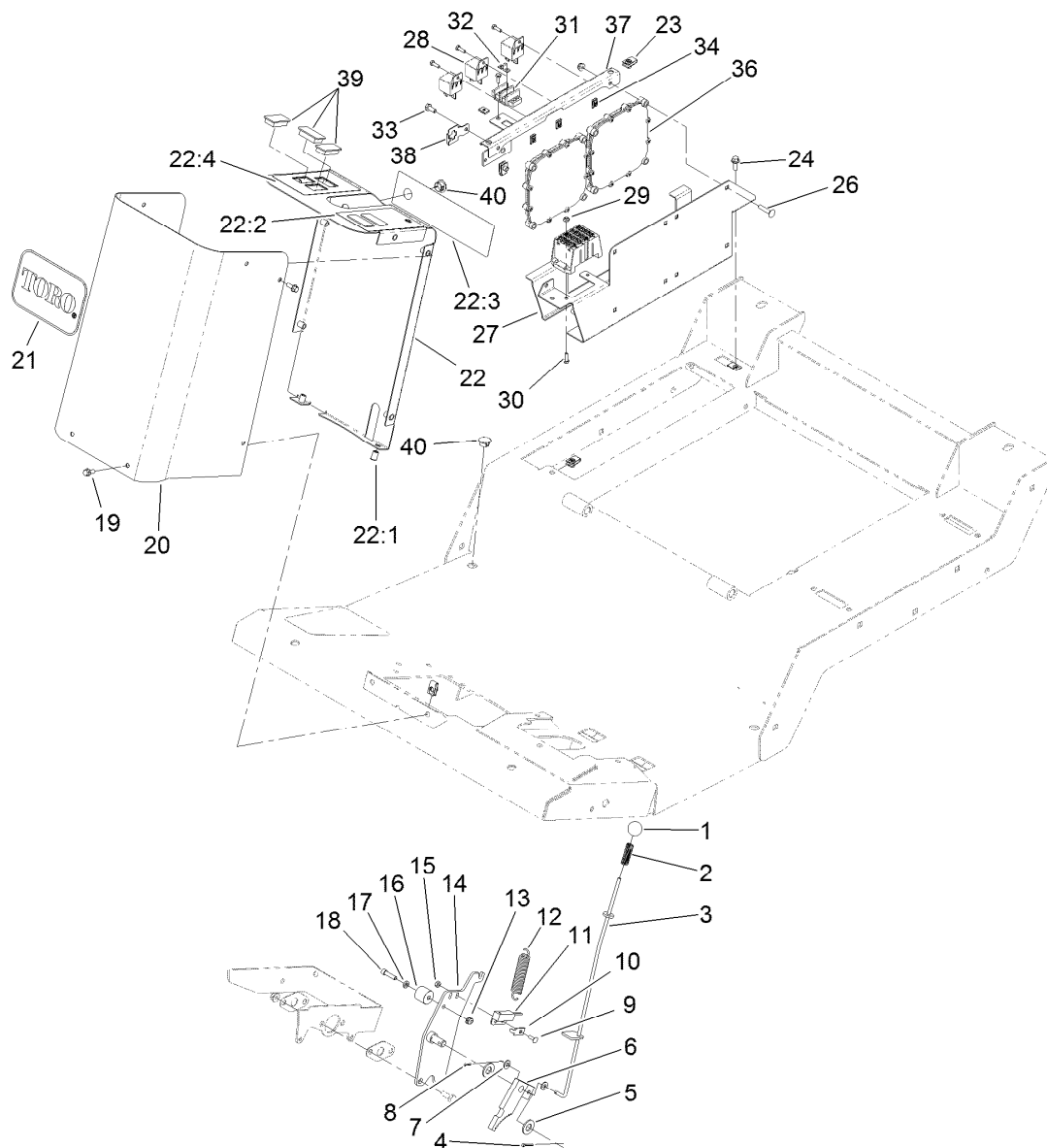
■ Not serviced separately



Vinyl Premium Seat Assembly No. 117-5676

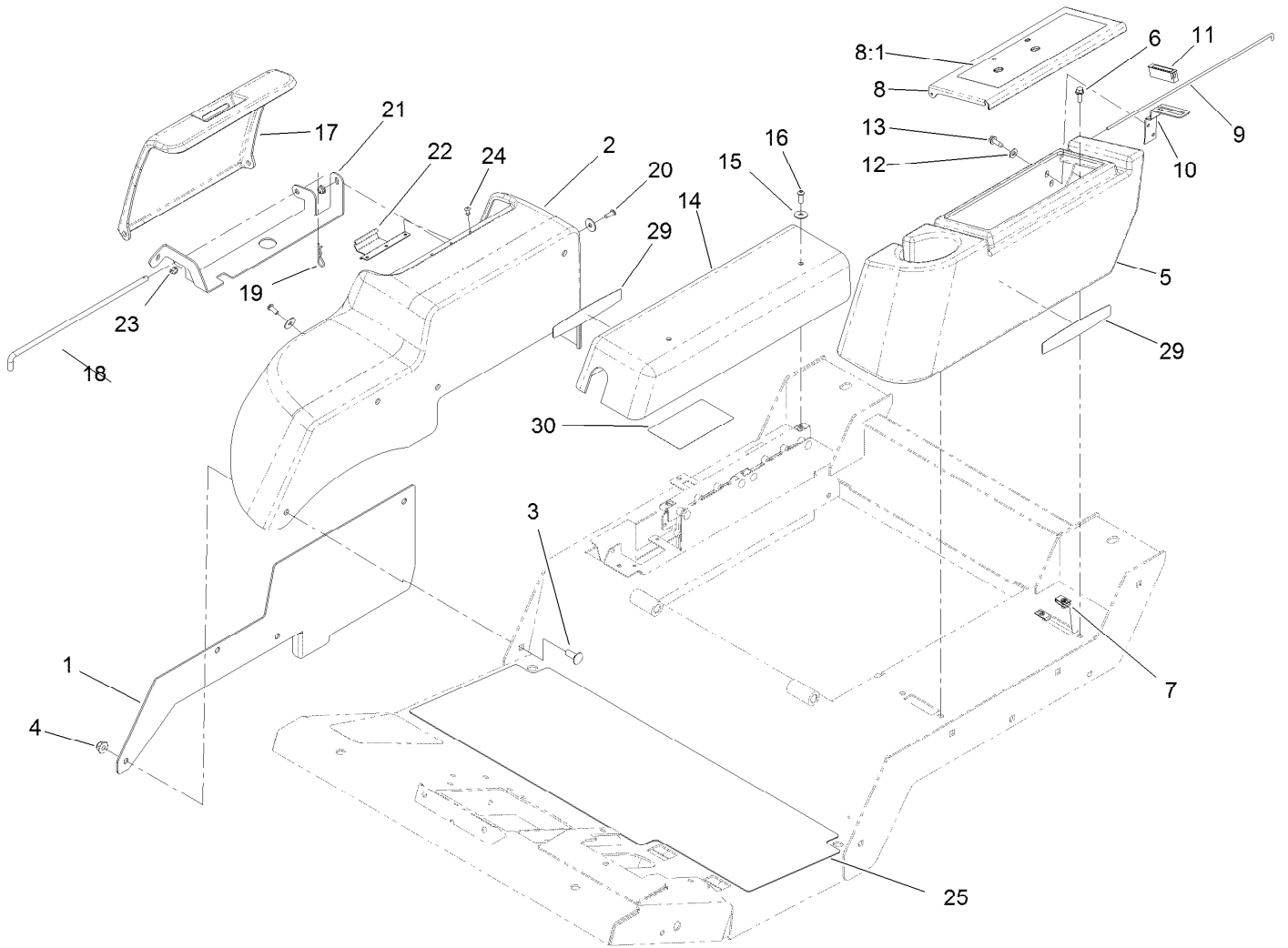
| Ref. | Part Number | Qty. | Description | Ref. | Part Number | Qty. | Description |
|------|-------------|------|-------------------------|------|-------------|------|-----------------------|
| 1 | 108-8016 | 1 | Backrest Cushion ASM | 8:6 | | 1 | Spring-Extension ● |
| 1:1 | 119-7742 | 4 | Screw-Cushion | 8:7 | | 1 | Plate-Mounting ● |
| 2 | 108-8017 | 1 | Seat Cushion ASM | 8:8 | | 1 | Magnet ● |
| 2:1 | 119-7742 | 3 | Screw-Cushion | 9 | 108-8025 | 1 | Adjustment Rail Set |
| 3 | 108-8018 | 1 | Cover-Armrest | 9:1 | | 1 | Rail-Adjustment, RH ● |
| 4 | 108-8019 | 1 | LH Armrest ASM | 9:2 | | 1 | Rail-Adjustment, LH ● |
| 4:1 | 82-9650 | 1 | Nut | 9:3 | | 1 | Stop-Rail ● |
| 4:2 | 107-1198 | 1 | Washer | 9:4 | | 1 | Handle ● |
| 6 | 108-8021 | 1 | Cover-Armrest | 9:5 | | 3 | Screw ● |
| 7 | 108-8022 | 2 | Cover-Black | 9:6 | | 3 | Washer ● |
| 8 | 108-8024 | 1 | Switch Kit | 9:7 | | 1 | Screw ● |
| 8:1 | | 3 | Wire Tie ● | 10 | 110-6189 | 1 | Switch Kit |
| 8:2 | | 4 | Rivet ● | 10:1 | | 1 | Switch ● |
| 8:3 | | 1 | Sensor-Seat Switch ● | 10:2 | | 3 | Wire Tie ● |
| 8:4 | | 2 | Spring-Compression ● | 10:3 | | 2 | Rivet ● |
| 8:5 | | 2 | Bumper-Pressure Plate ● | | | | |

● Not serviced separately



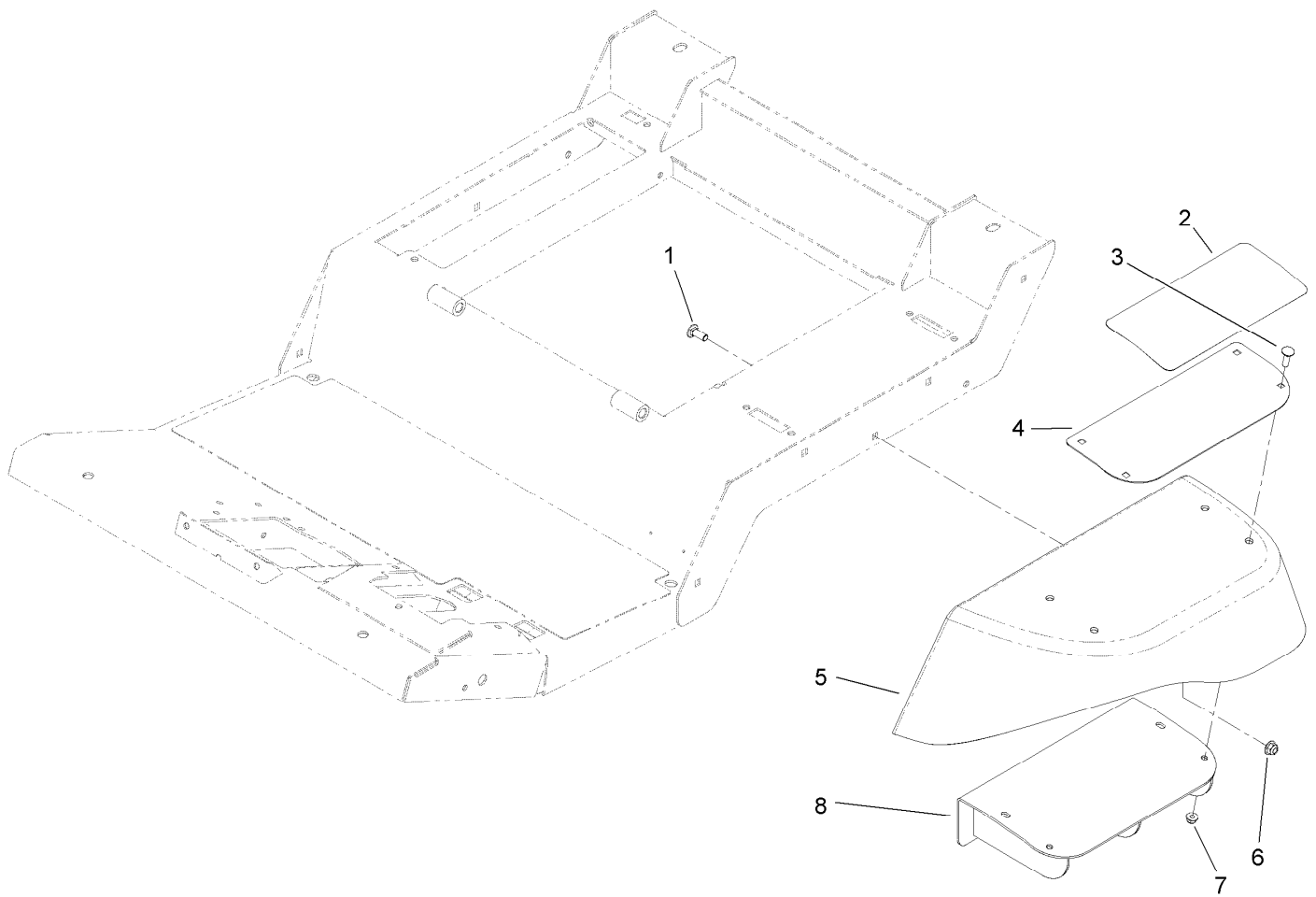
Parking Brake, Steering Tower and Power Center Assembly

| Ref. | Part Number | Qty. | Description | Ref. | Part Number | Qty. | Description |
|------|-------------|------|-----------------------------|------|-------------|------|--------------------------|
| 1 | 233-17 | 1 | Knob | 22 | 120-4165 | 1 | Steering Tower ASM |
| 2 | 95-1821 | 1 | Spring-Compression | 22:1 | 32148-6 | 8 | Insert-Nut |
| 3 | 114-0195 | 1 | Rod-Parking, Brake | 22:2 | 120-4130 | 1 | Decal-Steering Tower, LH |
| 4 | 3272-10 | 1 | Pin-Cotter | 22:3 | 114-0845 | 1 | Decal-Column, Steering |
| 5 | 3256-26 | 2 | Washer-Flat | 22:4 | 120-4129 | 1 | Decal-Steering Tower, RH |
| 6 | 63-7900-03 | 1 | Rack | 23 | 107069 | 7 | Clip |
| 7 | 3256-22 | 2 | Washer-Flat | 24 | 3234-4 | 2 | Screw-HHF |
| 8 | 3272-5 | 1 | Pin-Cotter | 26 | 3229-3 | 8 | Screw-CARR |
| 9 | 3229-34 | 1 | Screw-CARR | 27 | 120-4093-03 | 1 | Mount-Power |
| 10 | 100-4872 | 1 | Plate-Switch, Neutral | 28 | 99-7435 | 3 | Relay-Power |
| 11 | 100-1270 | 1 | Switch-Proximity | 29 | 3296-12 | 2 | Nut-Lock, NI |
| 12 | 13-0480 | 1 | Spring | 30 | 3290-134 | 7 | Screw |
| 13 | 104-7201 | 9 | Nut-HF | 31 | 42862 | 1 | Block-Terminal, Ground |
| 14 | 114-0190-03 | 1 | Pivot-Parking, Brake | 32 | 42863 | 1 | Strip-Jumper |
| 15 | 3296-2 | 3 | Nut-Lock, NI | 33 | 321-3 | 1 | Screw-HH |
| 16 | 117-5499 | 1 | Spacer-Deflector | 34 | 107-1013 | 5 | Nut-Speed, U-Type |
| 17 | 55-9620 | 1 | Spacer-Plate, Pivot | 36 | 114-3321 | 2 | Controller-Tec |
| 18 | 3274-9 | 1 | Screw-HSH | 37 | 120-4127-03 | 1 | Mount-Relay |
| 19 | 3234-33 | 10 | Screw-HHF | 38 | 114-5502 | 1 | Clip-Fuse |
| 20 | 120-4136-01 | 1 | Cover-Steering Tower, Front | 39 | 99-7420 | 5 | Plug-Hole |
| 21 | 62-5550 | 1 | Decal | 40 | 94-5627 | 1 | Plug |



Fender, Tool Box and Cover Assembly

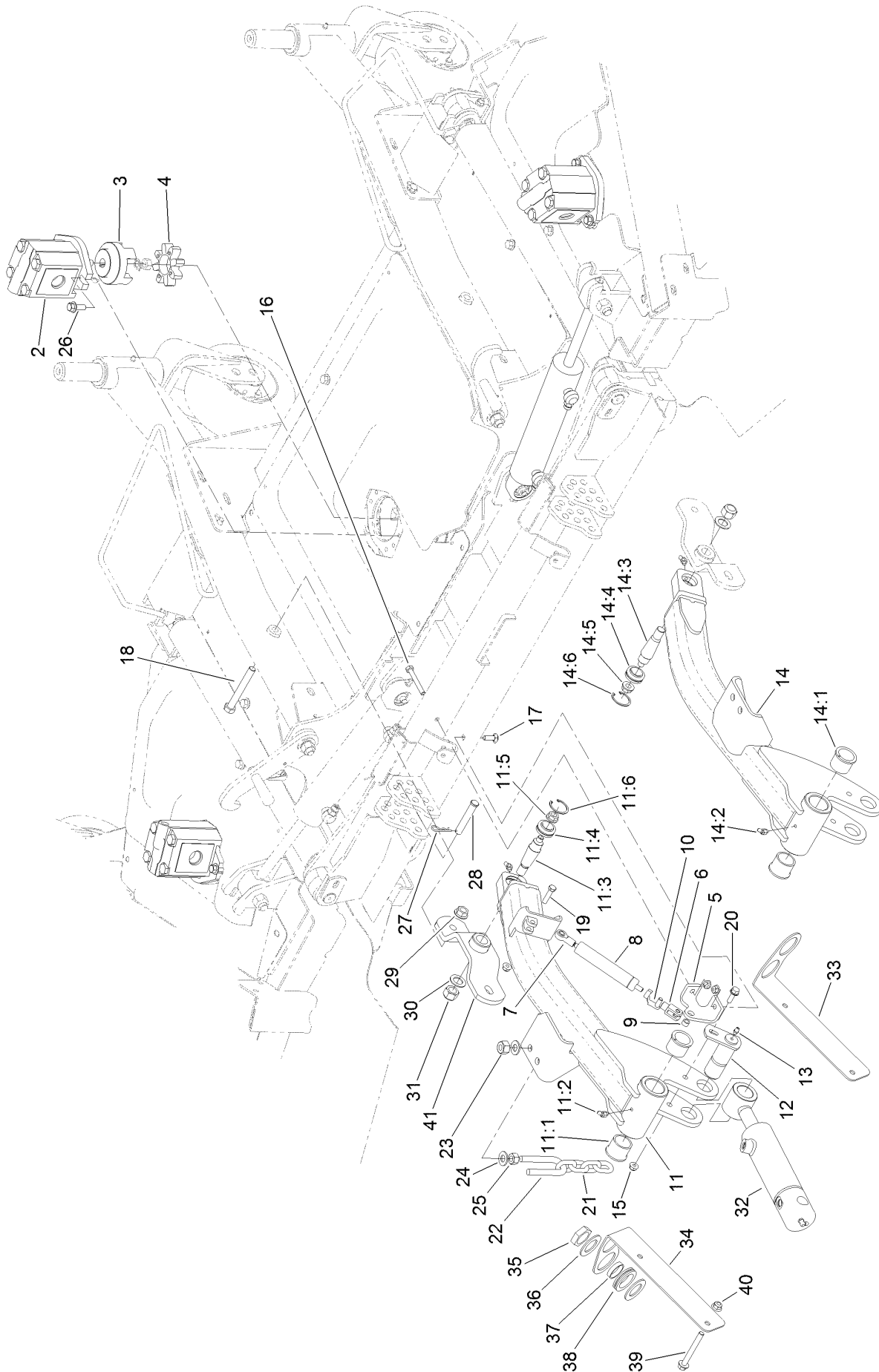
| <i>Ref.</i> | <i>Part Number</i> | <i>Qty.</i> | <i>Description</i> | <i>Ref.</i> | <i>Part Number</i> | <i>Qty.</i> | <i>Description</i> |
|-------------|--------------------|-------------|--------------------|-------------|--------------------|-------------|----------------------|
| 1 | 121-1579-03 | 1 | Plate-Fender, RH | 14 | 120-4126 | 1 | Cover-Controllers |
| 2 | 120-4113 | 1 | Fender-RH | 15 | 87-6630 | 4 | Washer-Plain |
| 3 | 3231-22 | 4 | Screw-CARR | 16 | 3274-69 | 2 | Screw-HSBH |
| 4 | 104-8301 | 4 | Nut-HF, NI | 17 | 120-4115 | 1 | Cover-Battery |
| 5 | 120-4125 | 1 | Housing-Tool Box | 18 | 121-1588 | 1 | Rod-Hinge |
| 6 | 3234-4 | 4 | Screw-HHF | 19 | 3290-467 | 1 | Pin-Hair |
| 7 | 107069 | 4 | Clip | 20 | 3274-31 | 2 | Screw-HSBH |
| 8 | 120-4124 | 1 | Tool Box Cover ASM | 21 | 121-1586-03 | 1 | Mount-Cover |
| 8:1 | 117-2754 | 1 | Decal-Warning | 22 | 121-1587 | 1 | Latch-Cover |
| 8:1 | 117-2766 | 1 | Decal-Warning, CE | 23 | 104-7201 | 2 | Nut-HF |
| 9 | 120-4122 | 1 | Rod-Hinge | 24 | 3269-23 | 3 | Rivet-Pop |
| 10 | 104-7545 | 1 | Bracket-Latch | 25 | 120-4128 | 1 | Tread-Foot, Abrasive |
| 11 | 58-4250 | 1 | Catch-Magnetic | 29 | 121-1594 | 2 | Decal-Smart Power |
| 12 | 3256-22 | 2 | Washer-Flat | 30 | 121-1599 | 1 | Decal-Fuses |
| 13 | 32104-95 | 2 | Screw-HWH | | | | |



Fender and Step Support Assembly

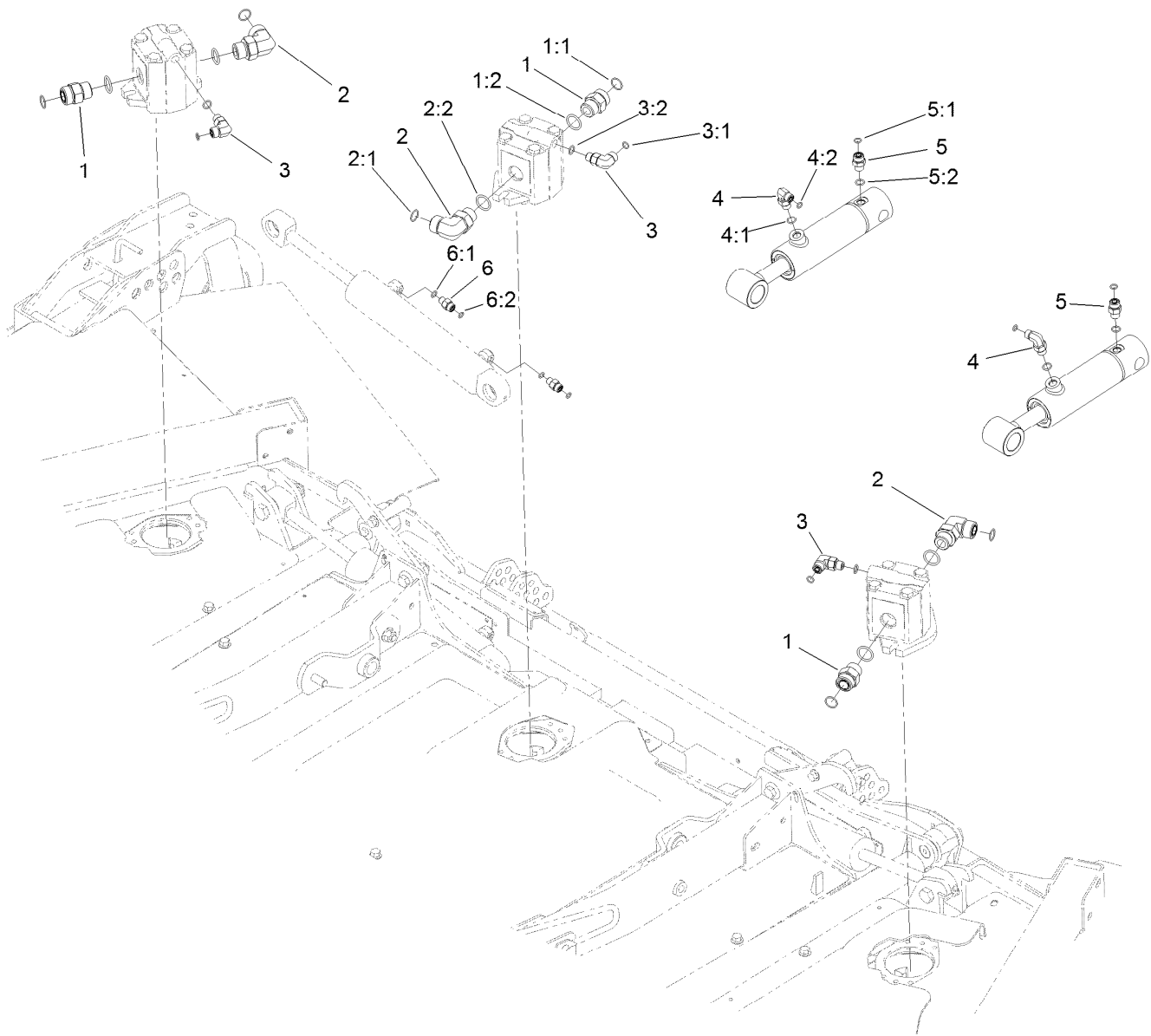
| <i>Ref.</i> | <i>Part Number</i> | <i>Qty.</i> | <i>Description</i> |
|-------------|--------------------|-------------|--------------------|
| 1 | 3231-22 | 4 | Screw-CARR |
| 2 | 120-4116 | 1 | Pad-Step, Abrasive |
| 3 | 3230-28 | 4 | Screw-CARR |
| 4 | 120-4117-03 | 1 | Plate-Step |
| 5 | 121-1585 | 1 | Fender-LH |
| 6 | 104-8301 | 4 | Nut-HF, NI |
| 7 | 104-8300 | 4 | Nut-HF, NI |
| 8 | 120-8900-03 | 1 | Support-Step |

Front Deck Lift-Arm Assembly



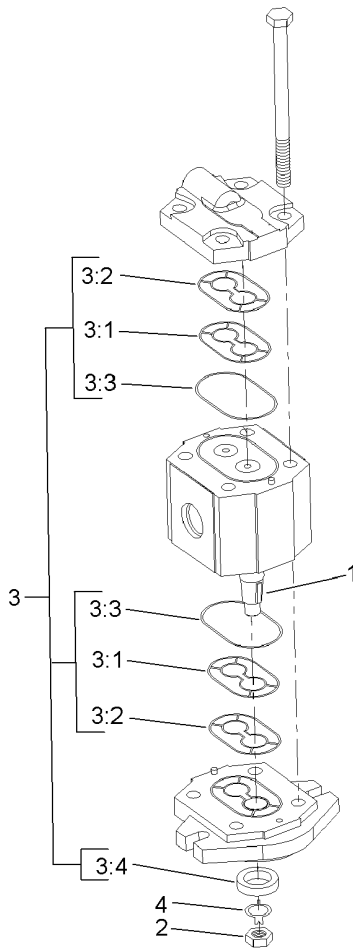
Front Deck Lift-Arm Assembly (continued)

| <i>Ref.</i> | <i>Part Number</i> | <i>Qty.</i> | <i>Description</i> | <i>Ref.</i> | <i>Part Number</i> | <i>Qty.</i> | <i>Description</i> |
|-------------|--------------------|-------------|----------------------|-------------|--------------------|-------------|---------------------------|
| 2 | 99-5489 | 3 | Gear Motor ASM | 16 | 322-12 | 1 | Screw-HH |
| 3 | 104-3541 | 3 | Hub-Spider | 17 | 3230-22 | 1 | Screw-CARR |
| 4 | 104-3542 | 3 | Spider | 18 | 325-17 | 4 | Screw-HH |
| 5 | 120-9015-01 | 1 | Support-Damper | 19 | 322-17 | 1 | Screw-HH |
| 6 | 115-5455 | 1 | End-Rod, Clevis | 20 | 3234-29 | 2 | Screw-HHF |
| 7 | 104-8331 | 1 | End-Rod, Spherical | 21 | 95-6231 | 2 | Chain-HOC |
| 8 | 105-3249 | 1 | Damper | 22 | 104-0108 | 2 | U-Bolt |
| 9 | 115-2142 | 1 | Spacer | 23 | 3296-25 | 4 | Nut-Lock, NI |
| 10 | 115-5454 | 1 | Pin-Spring | 24 | 3256-26 | 8 | Washer-Flat |
| 11 | 120-9013 | 1 | LH Lift Arm ASM | 25 | 3217-9 | 4 | Nut-HH |
| 11:1 | 104-0015 | 2 | Bushing-Flange | 26 | 3234-42 | 6 | Screw-HHF |
| 11:2 | 302-11 | 2 | Fitting-Lube, 45 DEG | 27 | 3290-467 | 2 | Pin-Hair |
| 11:3 | 105-7468 | 1 | Stud-Tapered | 28 | 283-55 | 2 | Pin-Clevis |
| 11:4 | 105-7441 | 1 | Bearing-Spherical | 29 | 32128-23 | 4 | Nut-HF |
| 11:5 | 32128-42 | 1 | Nut-HF | 30 | 86-1440 | 2 | Washer-Flat |
| 11:6 | 32151-34 | 1 | Ring-Retaining | 31 | 3296-41 | 2 | Nut-Lock NI |
| 12 | 105-7325 | 2 | Pin | 32 | 120-8822 | 2 | HYD Cylinder ASM |
| 13 | 302-5 | 2 | Fitting-Grease | 33 | 121-1499-03 | 1 | Plate-Mount, Bulkhead, RH |
| 14 | 120-9012 | 1 | RH Lift Arm ASM | 34 | 121-1494-03 | 1 | Plate-Mount, Bulkhead, LH |
| 14:1 | 104-0015 | 2 | Bushing-Flange | 35 | 340-126 | 4 | Nut-Bulkhead |
| 14:2 | 302-11 | 2 | Fitting-Lube, 45 DEG | 36 | 69-8910 | 8 | Washer |
| 14:3 | 105-7468 | 1 | Stud-Tapered | 37 | 69-8900 | 4 | Spacer |
| 14:4 | 105-7441 | 1 | Bearing-Spherical | 38 | 240-7 | 4 | Grommet-Rubber |
| 14:5 | 32128-42 | 1 | Nut-HF | 39 | 3234-41 | 4 | Screw-HHF |
| 14:6 | 32151-34 | 1 | Ring-Retaining | 40 | 104-8301 | 4 | Nut-HF, NI |
| 15 | 104-8300 | 5 | Nut-HF, NI | 41 | 115-5442-01 | 2 | Support-Hub |



Front Deck Hydraulic Fitting Assembly

| <i>Ref.</i> | <i>Part Number</i> | <i>Qty.</i> | <i>Description</i> | <i>Ref.</i> | <i>Part Number</i> | <i>Qty.</i> | <i>Description</i> |
|-------------|--------------------|-------------|-----------------------|-------------|--------------------|-------------|--------------------|
| 1 | 340-9 | 3 | Fitting-STR | 4 | 340-82 | 2 | Fitting-Elbow, 90 |
| 1:1 | 237-58 | 1 | O-Ring | 4:1 | 237-42 | 1 | O-Ring |
| 1:2 | 237-81 | 1 | O-Ring | 4:2 | 237-21 | 1 | O-Ring |
| 2 | 340-142 | 3 | Fitting-Elbow-90 | 5 | 340-2 | 2 | Fitting-Straight |
| 2:1 | 237-58 | 1 | O-Ring | 5:1 | 237-22 | 1 | O-Ring |
| 2:2 | 237-81 | 1 | O-Ring | 5:2 | 237-42 | 1 | O-Ring |
| 3 | 340-77 | 3 | Fitting-Elbow, 90 DEG | 6 | 340-92 | 4 | Fitting-Straight |
| 3:1 | 237-22 | 1 | O-Ring | 6:1 | 237-78 | 1 | O-Ring |
| 3:2 | 237-42 | 1 | O-Ring | 6:2 | 237-21 | 1 | O-Ring |

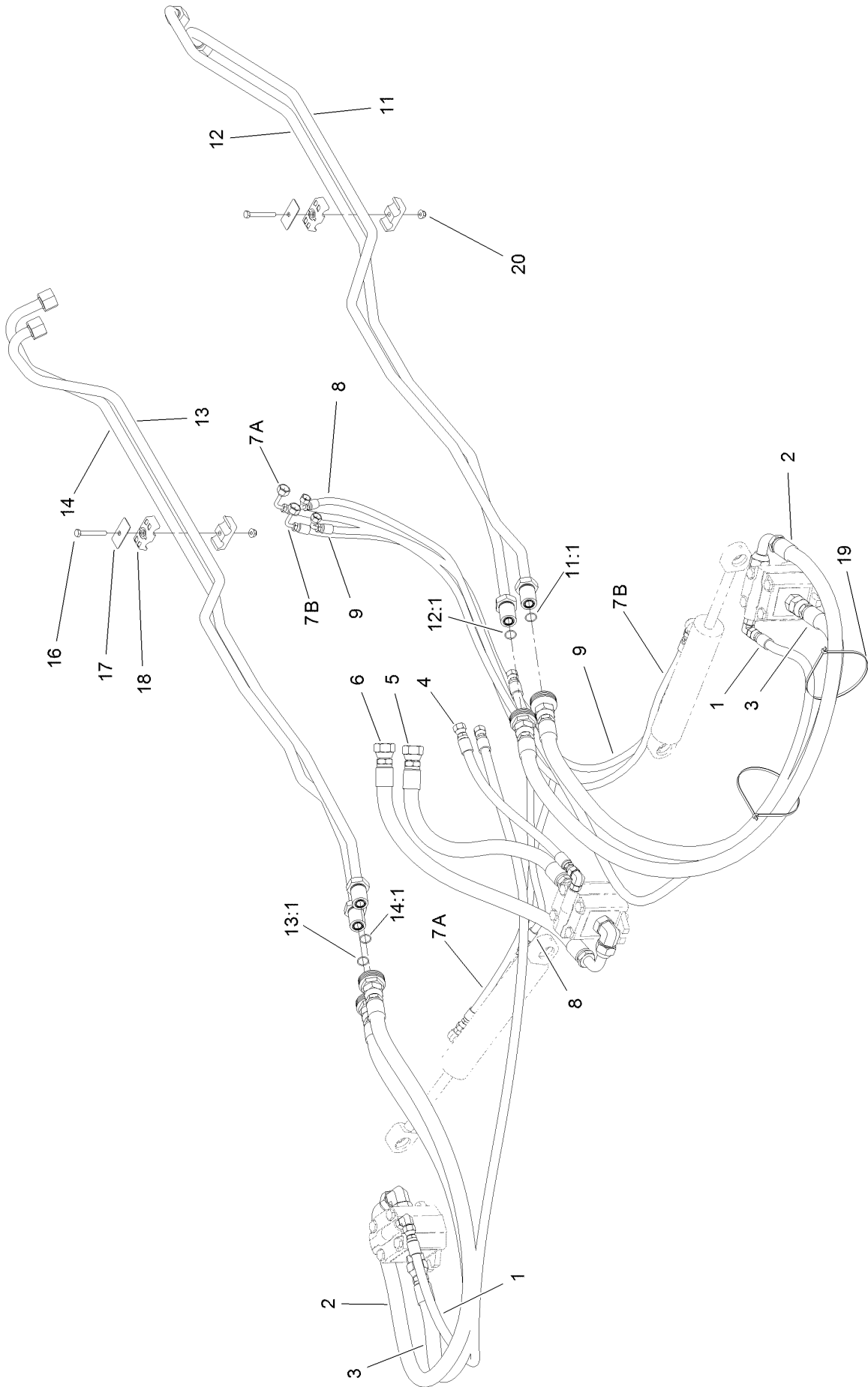


Gear Motor Assembly No. 99-5489

| <i>Ref.</i> | <i>Part Number</i> | <i>Qty.</i> | <i>Description</i> |
|-------------|--------------------|-------------|--------------------|
| 1 | 3257-3 | 1 | Key-Woodruff |
| 2 | 110-8815 | 1 | Nut-Hex |
| 3 | 104-4284 | 1 | Seal Kit |
| 3:1 | | 2 | Anti-Ext Ring ● |
| 3:2 | | 2 | Seal ● |
| 3:3 | | 2 | O-Ring ● |
| 3:4 | | 1 | Seal-Lip, Shaft ● |
| 4 | 104-4283 | 1 | Washer-Tab |

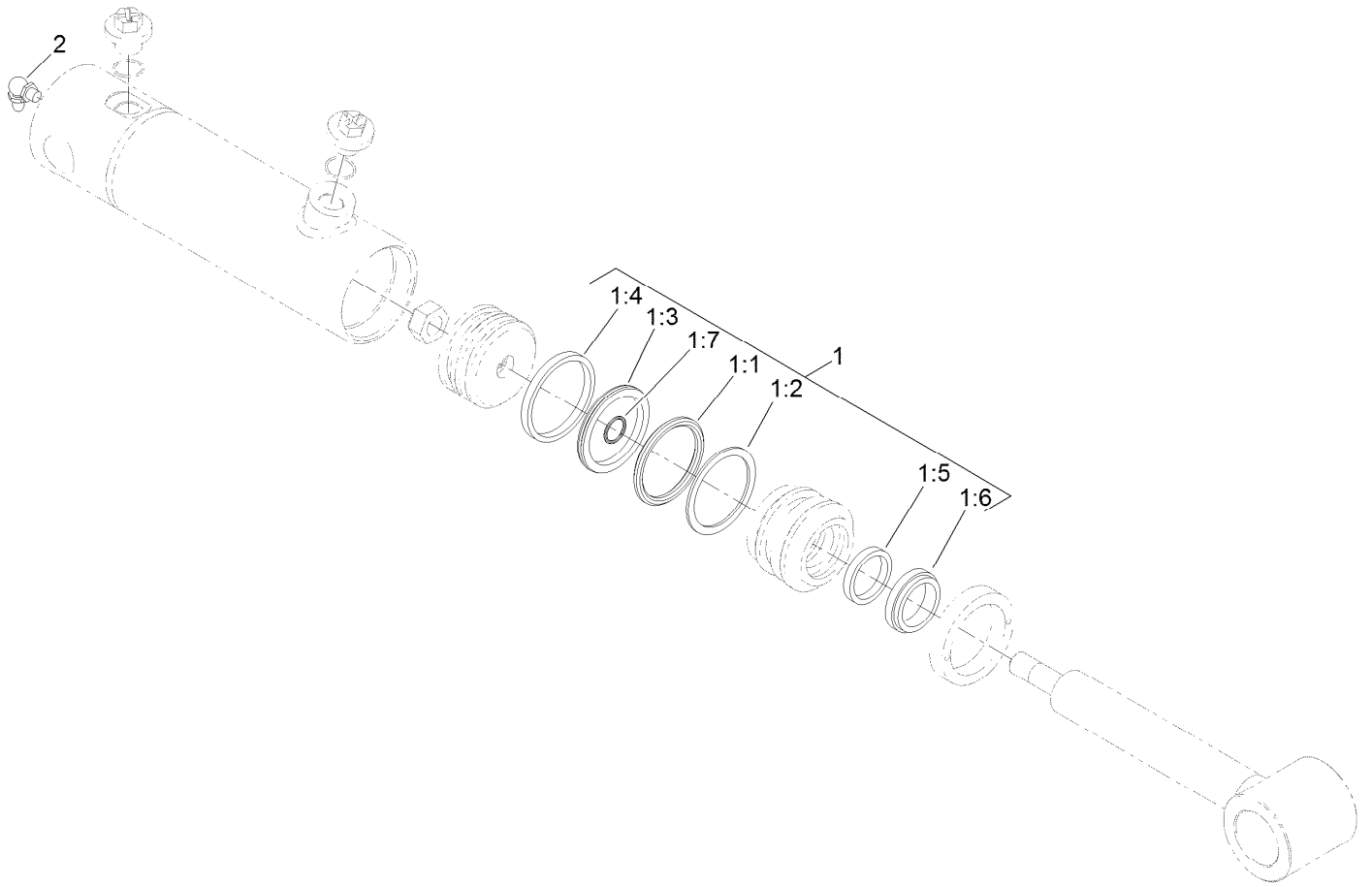
● Not serviced separately

Front Deck Hose Routing Assembly



Front Deck Hose Routing Assembly (continued)

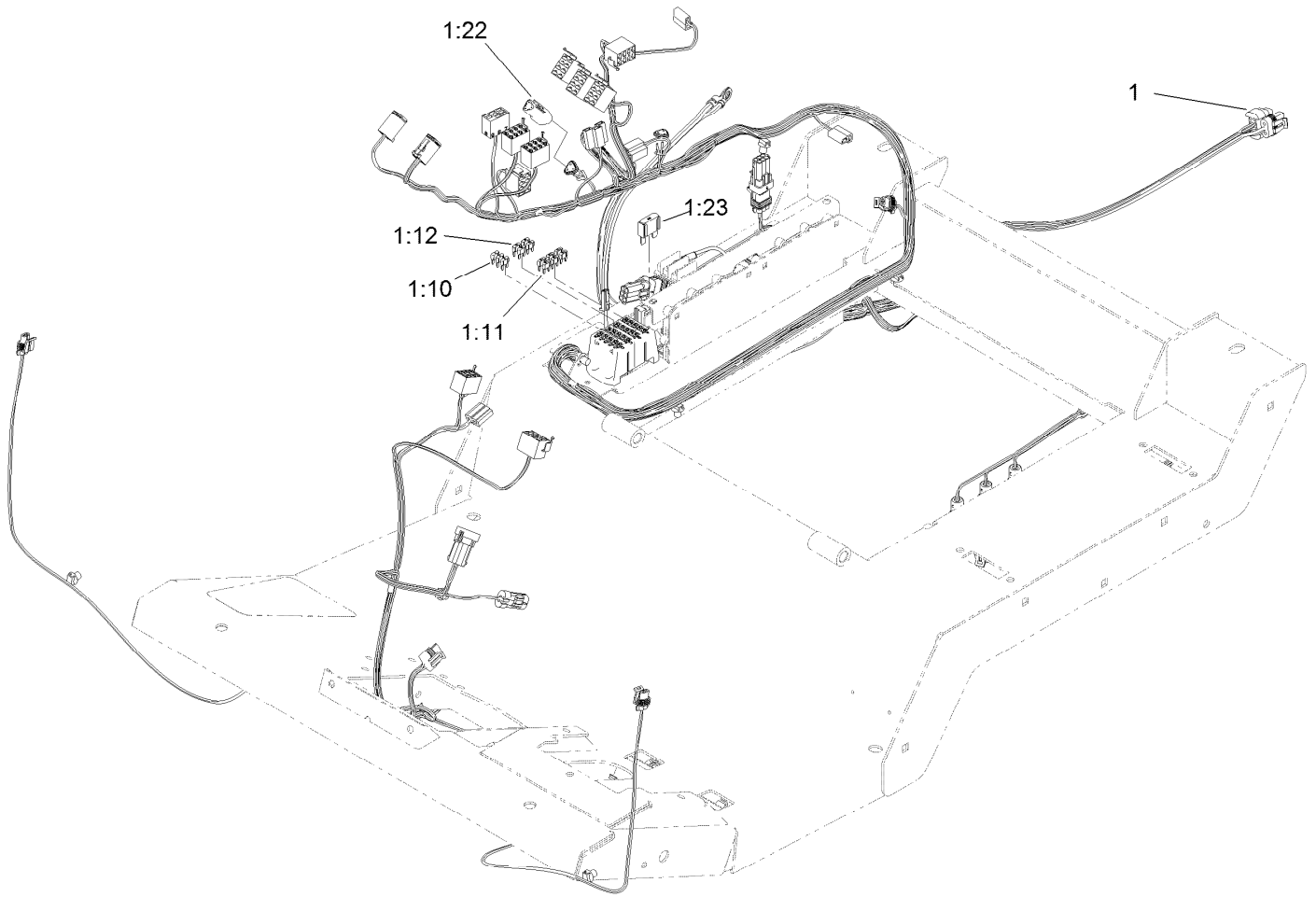
| <i>Ref.</i> | <i>Part Number</i> | <i>Qty.</i> | <i>Description</i> | <i>Ref.</i> | <i>Part Number</i> | <i>Qty.</i> | <i>Description</i> |
|-------------|--------------------|-------------|--------------------|-------------|--------------------|-------------|--------------------|
| 1 | 95-8843 | 2 | Hose-HYD | 12 | 121-1496 | 1 | Tube-HYD |
| 2 | 120-8987 | 2 | Hose-HYD | 12:1 | 237-58 | 1 | O-Ring |
| 3 | 121-1457 | 2 | Hose-HYD | 13 | 121-1497 | 1 | Tube-HYD |
| 4 | 76-6550 | 1 | Hose-HYD | 13:1 | 237-58 | 1 | O-Ring |
| 5 | 121-1540 | 1 | Hose-HYD | 14 | 121-1498 | 1 | Tube-HYD |
| 6 | 121-1541 | 1 | Hose-HYD | 14:1 | 237-58 | 1 | O-Ring |
| 7 | 120-9054 | 2 | Hose-HYD | 16 | 322-12 | 2 | Screw-HH |
| 8 | 106-3691 | 1 | Hose-HYD | 17 | 69-9761 | 2 | Plate-Cover |
| 9 | 85-4940 | 1 | Hose-HYD | 18 | 94-8105 | 4 | Clamp-Tube |
| 11 | 121-1495 | 1 | Tube-HYD | 19 | 3290-379 | 8 | Tie-Cable |
| 11:1 | 237-58 | 1 | O-Ring | 20 | 104-8300 | 2 | Nut-HF, NI |



Hydraulic Cylinder Assembly No. 120-8822

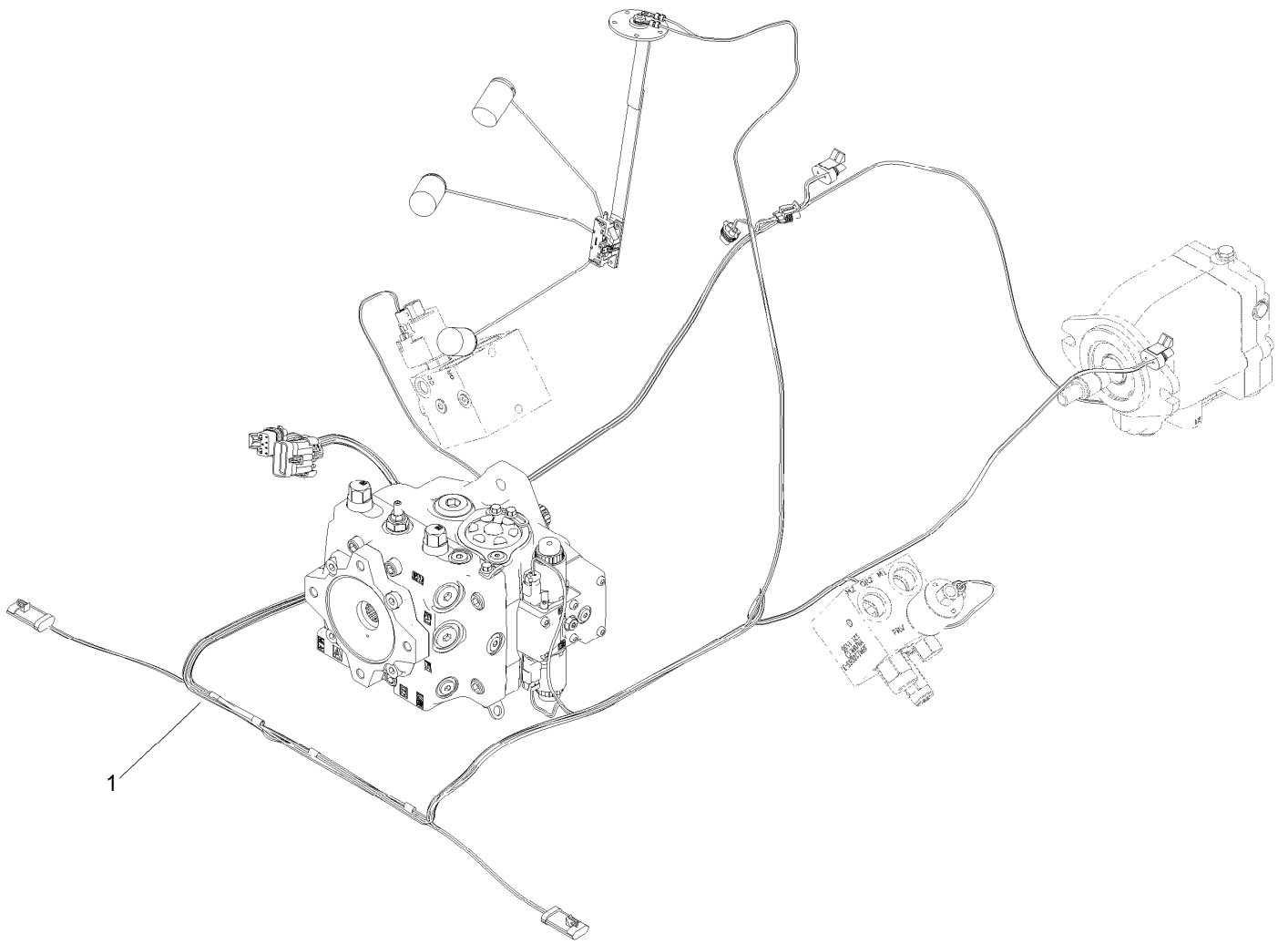
| <i>Ref.</i> | <i>Part Number</i> | <i>Qty.</i> | <i>Description</i> |
|-------------|--------------------|-------------|--------------------|
| 1 | 125-4300 | 1 | Seal Kit |
| 1:1 | | 1 | O-Ring ● |
| 1:2 | | 1 | Backup ● |
| 1:3 | | 1 | Bp Seal ● |
| 1:4 | | 1 | Wear Ring ● |
| 1:5 | | 1 | Bt Seal ● |
| 1:6 | | 1 | Dust Seal ● |
| 1:7 | | 1 | O-Ring ● |
| 2 | 302-60 | 1 | Fitting-Grease |

● Not serviced separately



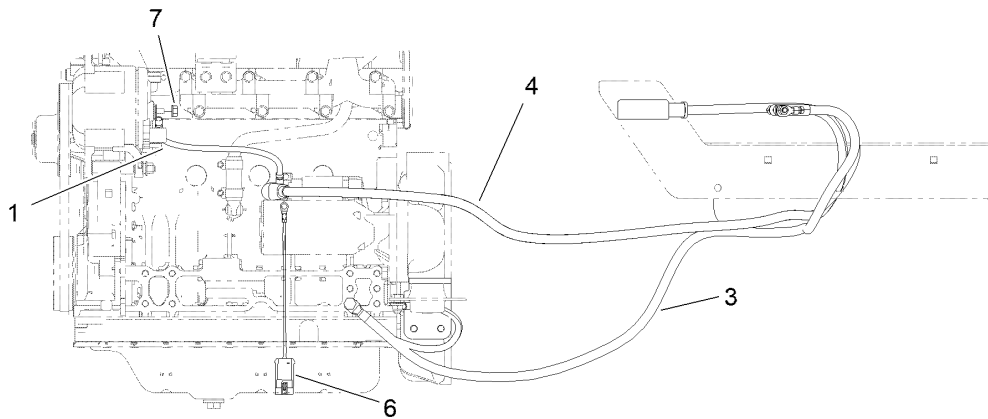
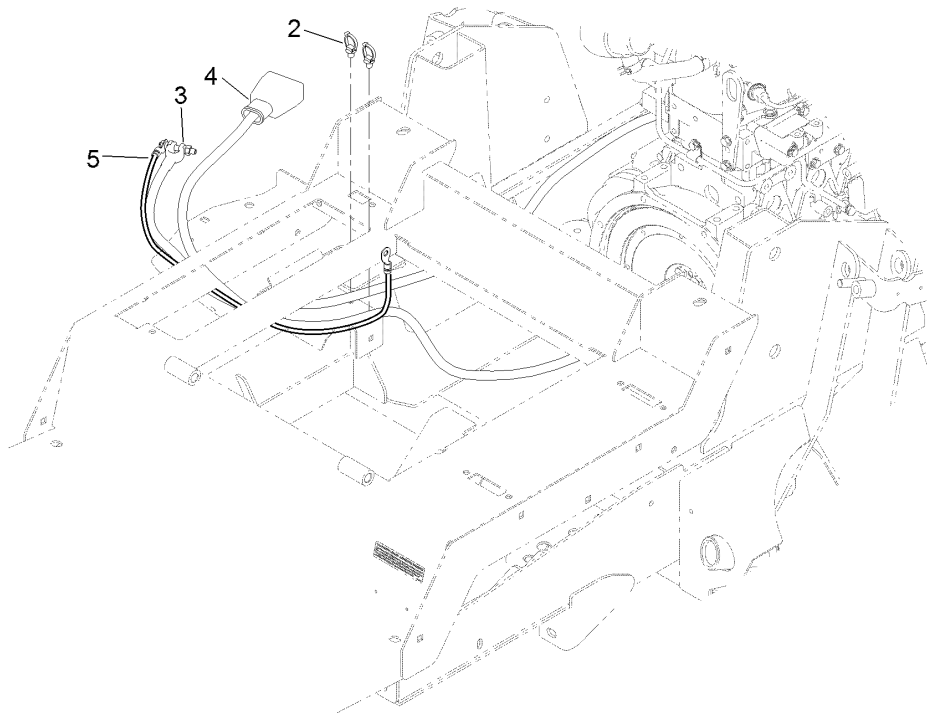
Platform Harness and Fuse Assembly

| <i>Ref.</i> | <i>Part Number</i> | <i>Qty.</i> | <i>Description</i> |
|-------------|--------------------|-------------|--------------------------|
| 1 | 120-6343 | 1 | Harness-Wire, Platform |
| 1:10 | 121-8861 | 3 | Fuse-Mini Blade, 2 Amp |
| 1:11 | 121-8865 | 6 | Fuse-Mini Blade, 7.5 Amp |
| 1:12 | 121-8866 | 4 | Fuse-Mini Blade, 10 Amp |
| 1:22 | 32180-043 | 1 | Resistor-120 Ohm |
| 1:23 | 114-3342 | 1 | Fuse-Maxi, 60 Amp |



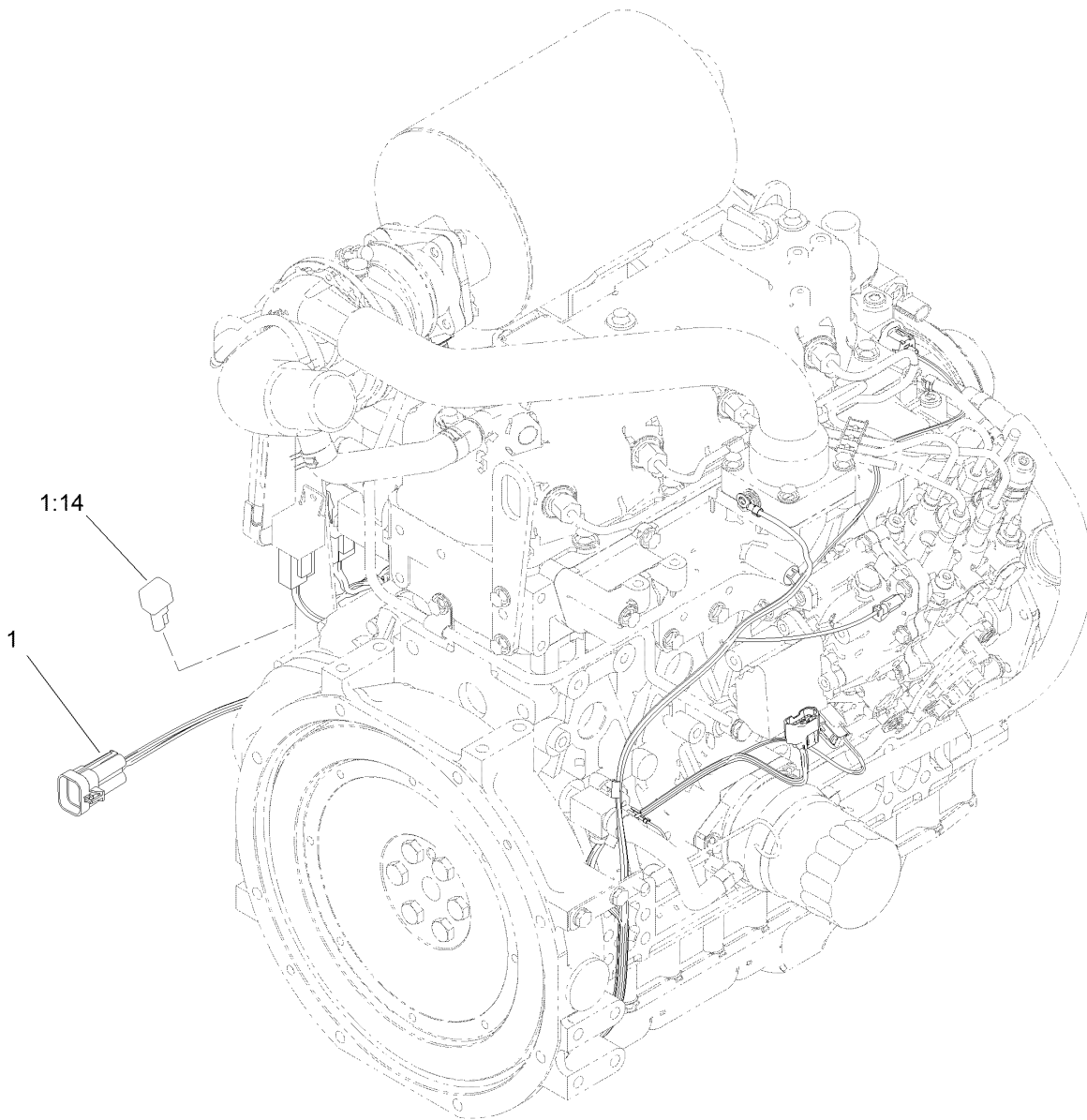
Rear Harness Assembly

| <i>Ref.</i> | <i>Part Number</i> | <i>Qty.</i> | <i>Description</i> |
|-------------|--------------------|-------------|--------------------|
| 1 | 120-6344 | 1 | Harness-Wire, Rear |



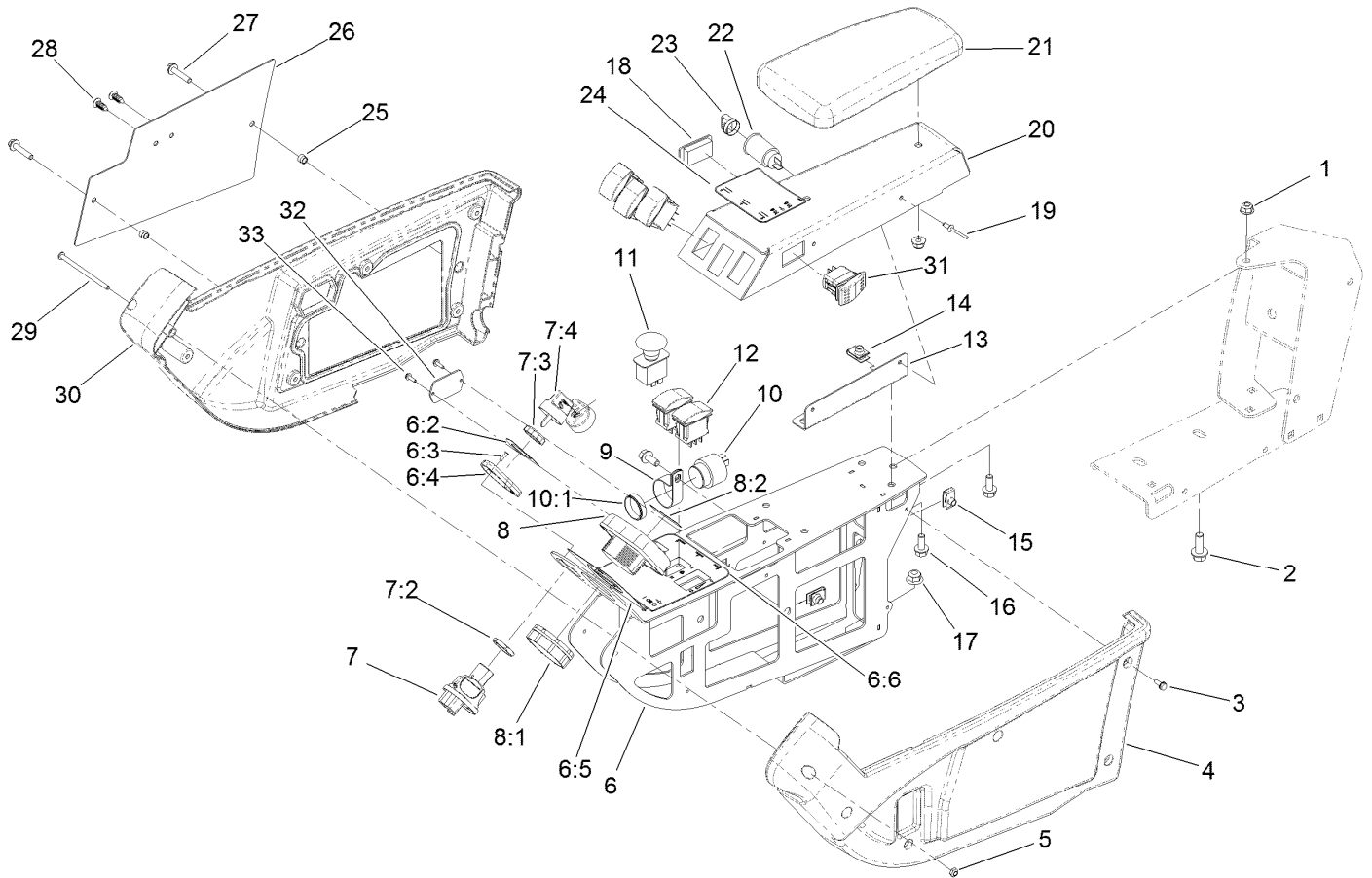
Battery Cable and Grounds Assembly

| <i>Ref.</i> | <i>Part Number</i> | <i>Qty.</i> | <i>Description</i> |
|-------------|--------------------|-------------|----------------------------|
| 1 | 122-0071 | 1 | Cable-Battery, Positive |
| 2 | 32180-030 | 2 | Clip-Tie |
| 3 | 121-8898 | 1 | Cable-Battery, Negative |
| 4 | 121-8897 | 1 | Cable-Battery, Positive |
| 5 | 54-3094 | 1 | Cable |
| 6 | 108-9470 | 1 | Harness-Wire, Fusible Link |
| 7 | 33004-00 | 2 | Nut-HF |



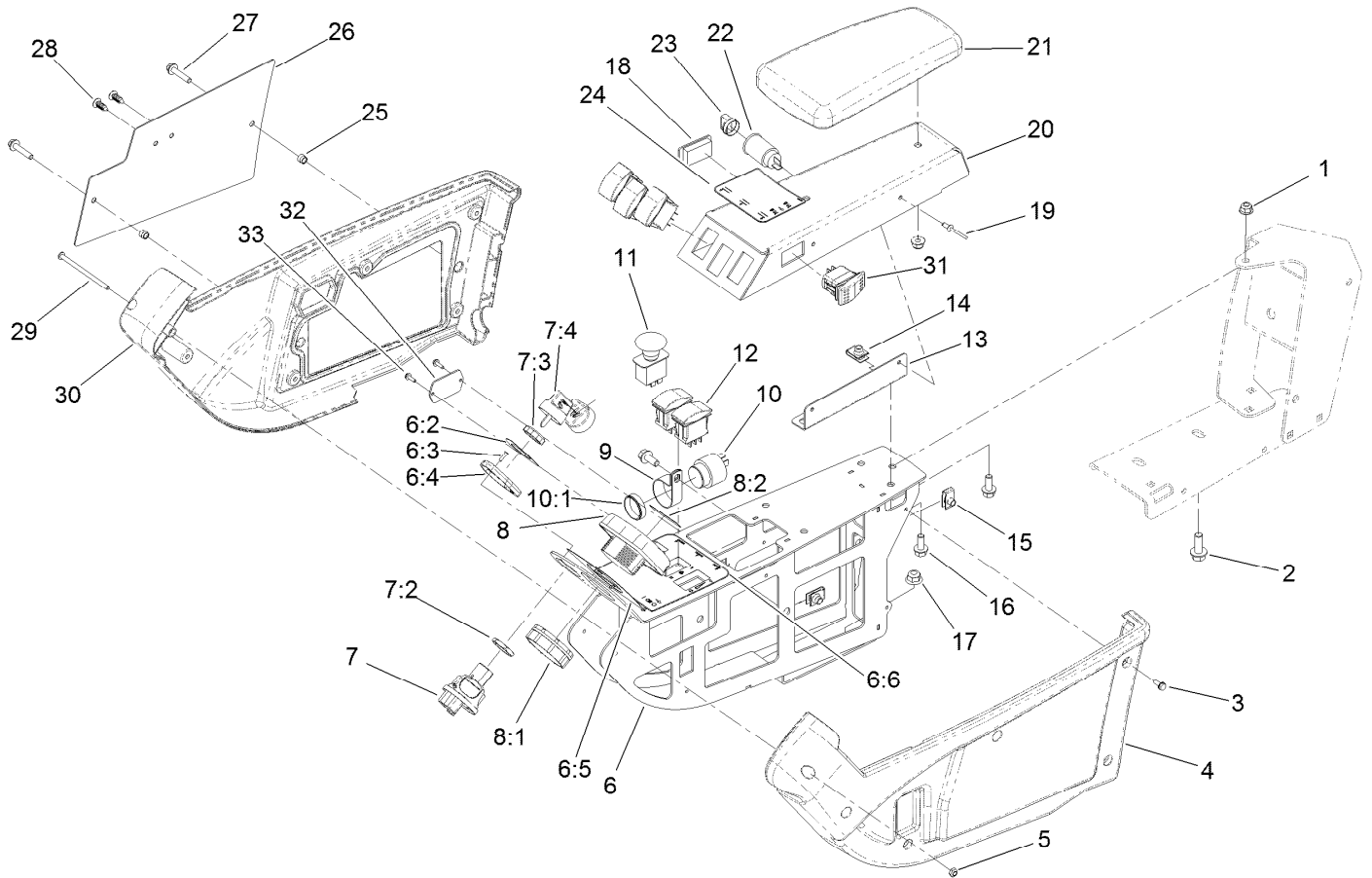
Engine Harness Assembly

| <i>Ref.</i> | <i>Part Number</i> | <i>Qty.</i> | <i>Description</i> |
|-------------|--------------------|-------------|----------------------|
| 1 | 119-4351 | 1 | Harness-Wire, Engine |
| 1:14 | 100-4918 | 1 | Diode |



Arm-Rest Control Panel Assembly

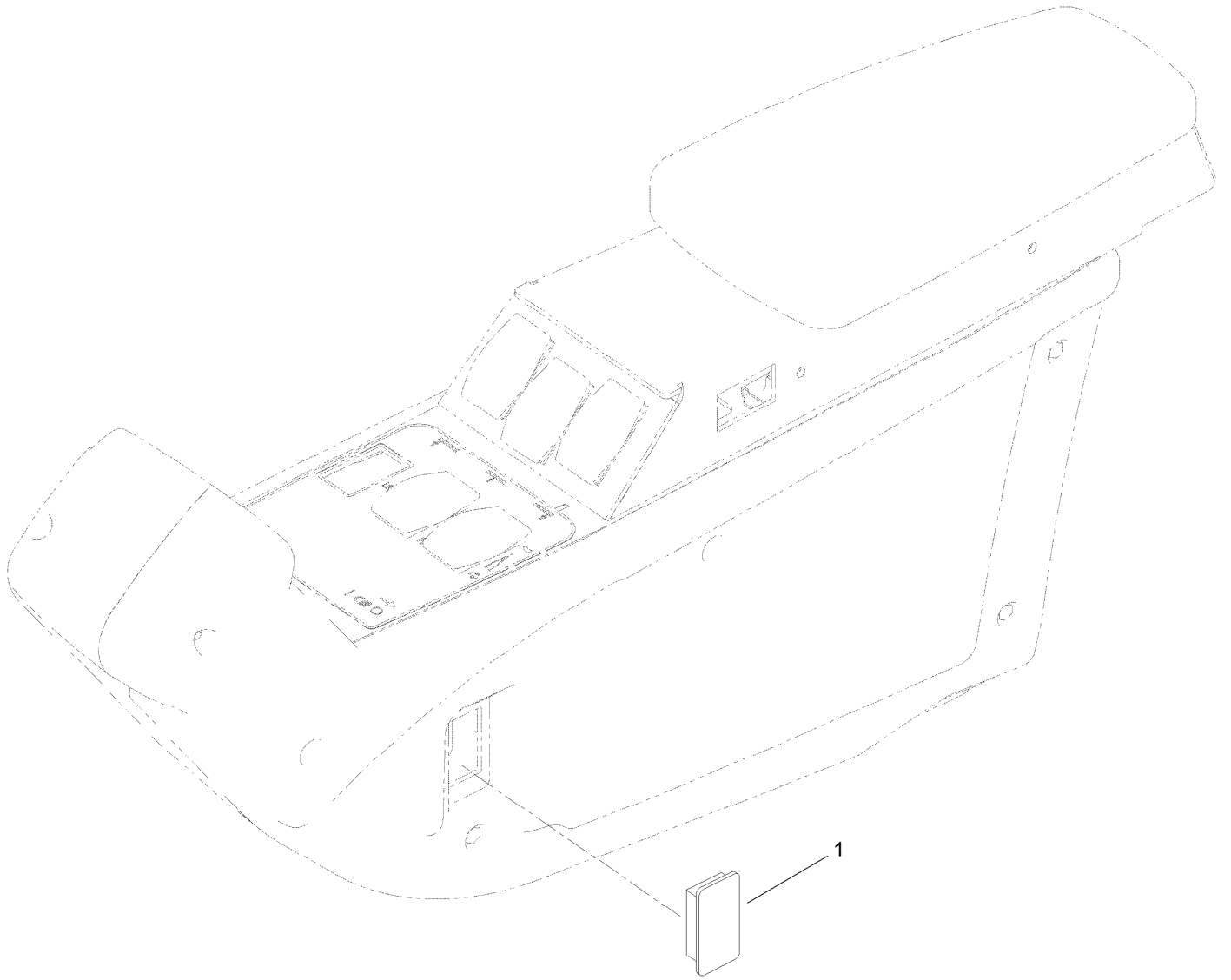
| Ref. | Part Number | Qty. | Description | Ref. | Part Number | Qty. | Description |
|------|-------------|------|------------------------|------|-------------|------|-----------------------------|
| 1 | 104-8300 | 3 | Nut-HF, NI | 11 | 93-9999 | 1 | Switch-PTO, On-On-None |
| 2 | 3234-42 | 2 | Screw-HHF | 12 | 100-1535 | 5 | Switch, (On)-Off-(On) |
| 3 | 32144-112 | 10 | Screw-HWH | 13 | 112-7404 | 1 | Angle-Mounting |
| 4 | 108-7604 | 1 | Cover-LH | 14 | 94-2413 | 5 | Nut-U |
| 5 | 3296-12 | 1 | Nut-Lock, NI | 15 | 107069 | 2 | Clip |
| 6 | 120-4155 | 1 | Panel ASM | 16 | 3234-5 | 6 | Screw-HHF |
| 6:2 | 121-3884 | 1 | Decal-Console, Upper | 17 | 104-8301 | 2 | Nut-HF, NI |
| 6:3 | 3269-17 | 2 | Rivet-Pop | 18 | 99-7420 | 1 | Plug-Hole |
| 6:4 | 121-3889 | 1 | Step-Elevated, Switch | 19 | 3290-409 | 2 | Rivet |
| 6:5 | 121-3887 | 1 | Decal-Console, Display | 20 | 117-2380-03 | 1 | Panel-Switches, Control Arm |
| 6:6 | 120-4159 | 1 | Decal-Console, Lower | 21 | 108-7602 | 1 | Rest-Arm |
| 7 | 121-5159 | 1 | Ignition Switch ASM | 22 | 99-7411 | 1 | Point-Power |
| 7:2 | 121-5160 | 1 | Nut-Hex | 23 | 99-7416 | 1 | Cap |
| 7:3 | 121-5161 | 1 | Nut-Face | 24 | 121-1592 | 1 | Decal-Lift |
| 7:4 | 121-5162 | 1 | Ignition Key Set | 25 | 110-0542 | 2 | Spacer-Flange |
| 8 | 120-6310 | 1 | LCD Display ASM | 26 | 115-8849-03 | 1 | Plate-Cover |
| 8:1 | 120-4630 | 1 | Nut-Display | 27 | 3234-21 | 2 | Screw-HHF |
| 8:2 | 120-6311 | 1 | Decal-Display | 28 | 114-4899 | 2 | Plug-Plastic |
| 9 | 2412-74 | 1 | R-Clamp | 29 | 3250-22 | 1 | Screw-PPH |
| 10 | 80-9330 | 1 | Audio Alarm ASM | 30 | 108-7605 | 1 | Cover-RH |
| 10:1 | 104-5107 | 1 | Nut-Plastic, Knurled | | | | |



Arm-Rest Control Panel Assembly (continued)

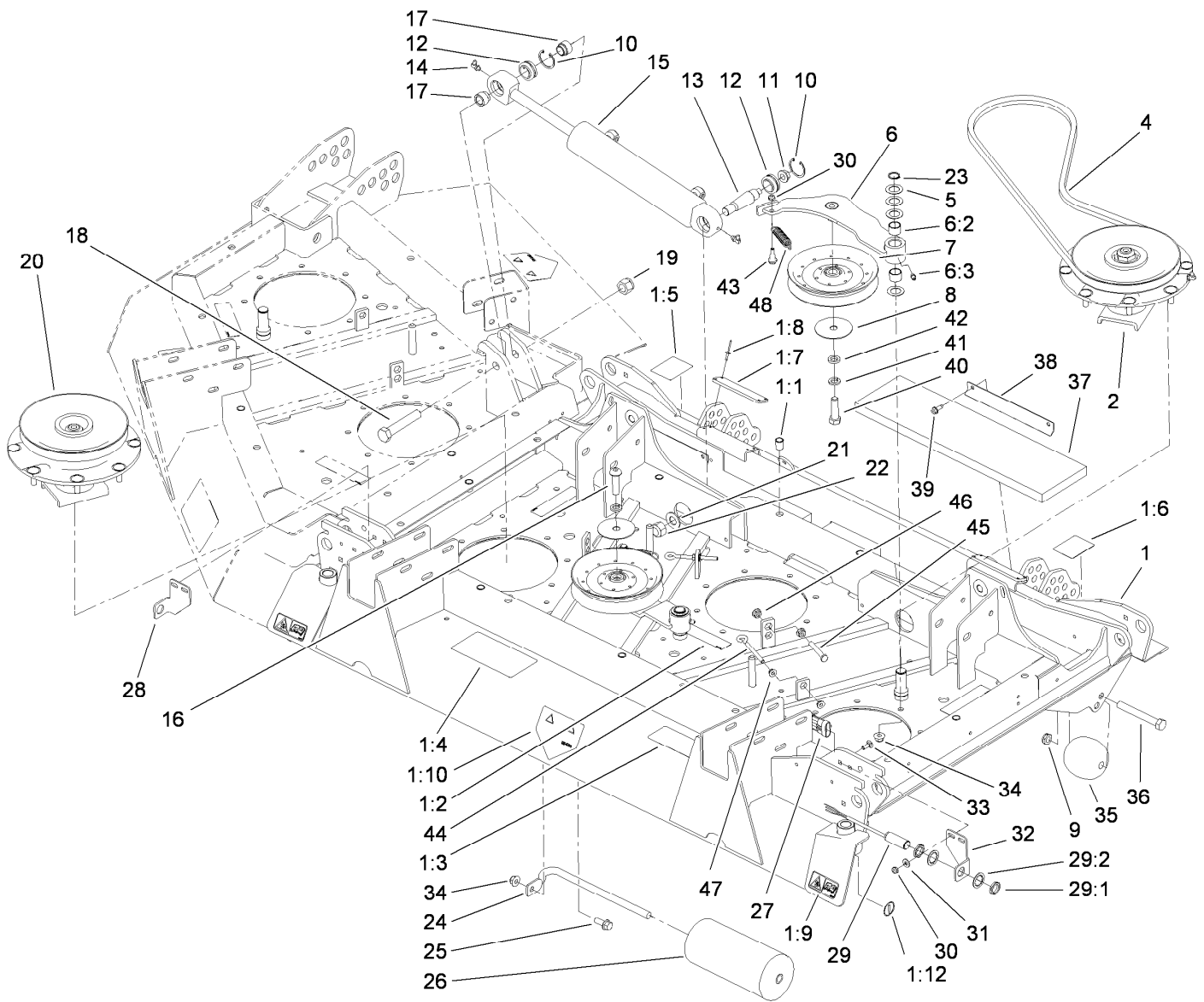
| <i>Ref.</i> | <i>Part Number</i> | <i>Qty.</i> | <i>Description</i> |
|-------------|--------------------|-------------|--------------------|
| 31 | 114-3329 | 1 | Switch-Rocker |

| <i>Ref.</i> | <i>Part Number</i> | <i>Qty.</i> | <i>Description</i> |
|-------------|--------------------|-------------|--------------------|
| 32 | 121-1630 | 1 | Plate-Cover |
| 33 | 32144-18 | 2 | Screw-HWH |



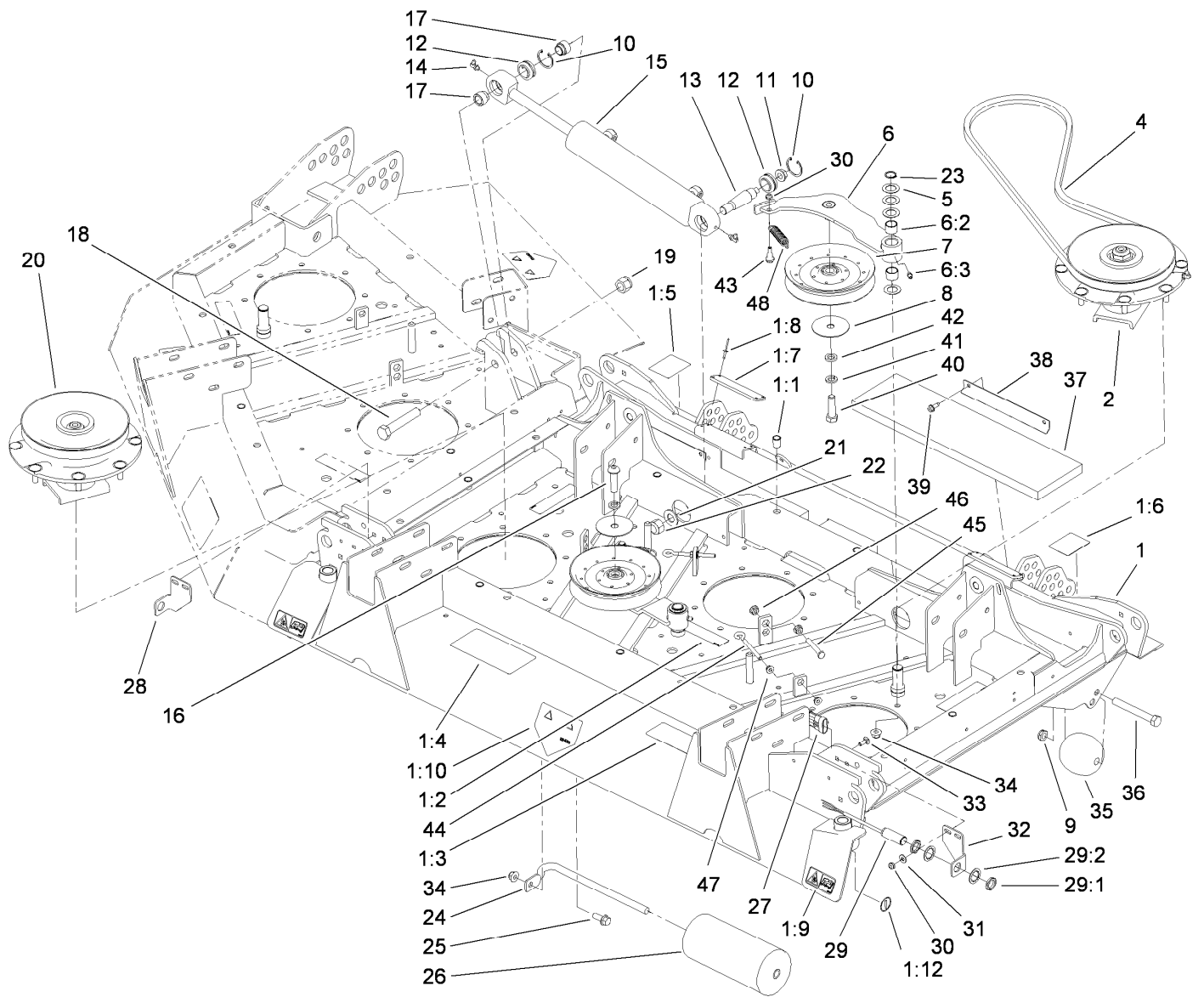
Arm-Rest Plug Assembly

| <i>Ref.</i> | <i>Part Number</i> | <i>Qty.</i> | <i>Description</i> |
|-------------|--------------------|-------------|--------------------|
| 1 | 99-7420 | 1 | Plug-Hole |



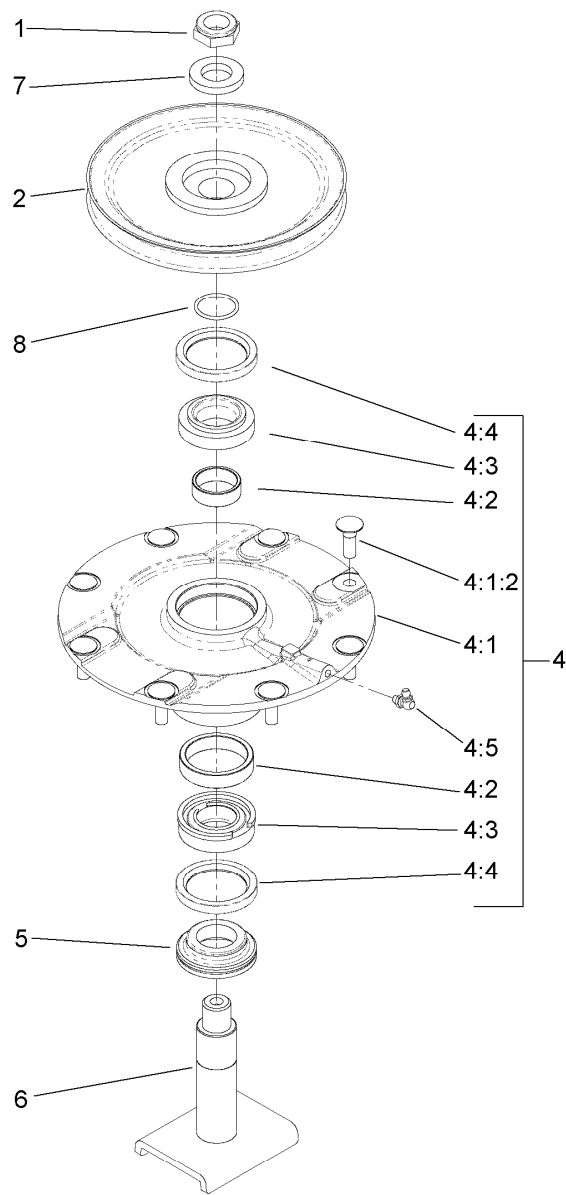
Center Deck Assembly

| Ref. | Part Number | Qty. | Description | Ref. | Part Number | Qty. | Description |
|------|-------------|------|--------------------------|------|-------------|------|-------------------------|
| 1 | 110-3297 | 1 | Center Deck ASM | 10 | 32151-34 | 4 | Ring-Retaining |
| 1:1 | 32148-9 | 9 | Insert-Nut | 11 | 32128-42 | 2 | Nut-HF |
| 1:2 | 100-6578 | 3 | Decal-Danger | 12 | 105-7441 | 4 | Bearing-Spherical |
| 1:3 | 93-7818 | 1 | Decal-Torque, Blade Bolt | 13 | 105-7468 | 2 | Stud-Tapered |
| 1:4 | 100-5622 | 1 | Decal-HOC | 14 | 302-60 | 4 | Fitting-Grease |
| 1:5 | 106-4250 | 1 | Decal-HOC, RH | 15 | 107-0190 | 2 | HYD Cylinder ASM |
| 1:6 | 106-4251 | 1 | Decal-HOC, LH | 16 | 108-1993 | 1 | Screw-HSBH |
| 1:7 | 105-0786 | 2 | Pad-Plastic | 17 | 105-7443 | 4 | Spacer-Pilot |
| 1:8 | 3269-8 | 8 | Rivet-Blind | 18 | 327-14 | 2 | Screw-HH |
| 1:9 | 93-6674 | 2 | Decal-Warning | 19 | 3296-53 | 2 | Nut-Lock, NI |
| 1:10 | 120-6604 | 1 | Decal-Danger | 20 | 119-4549 | 1 | High-Driven Spindle ASM |
| 1:12 | 58-6520 | 2 | Decal-Grease | 21 | 3256-27 | 2 | Washer-Flat |
| 2 | 119-4776 | 3 | Low-Driven Spindle ASM | 22 | 3296-41 | 2 | Nut-Lock NI |
| 4 | 108-8077 | 4 | V-Belt, Deck | 23 | 32120-72 | 4 | Ring-Snap |
| 5 | 3-6498 | 16 | Washer-Thrust | 24 | 68-6840 | 1 | Shaft-Roller |
| 6 | 110-6128 | 4 | Idler Arm ASM | 25 | 3234-11 | 1 | Screw-HHF |
| 6:2 | 256-76 | 2 | Bushing | 26 | 68-6710 | 1 | Roller |
| 6:3 | 302-5 | 1 | Fitting-Grease | 27 | 117-5717 | 1 | Harness-Wire, Deck |
| 7 | 110-9596 | 4 | Pulley-Idler | 28 | 119-0081 | 1 | Mount-Switch, RH |
| 8 | 100-3102 | 4 | Washer-Flat | 29 | 115-5300 | 2 | Proximity Switch ASM |
| 9 | 3296-45 | 2 | Nut-Hex | 29:1 | 117-3207 | 2 | Nut-Hex |



Center Deck Assembly (continued)

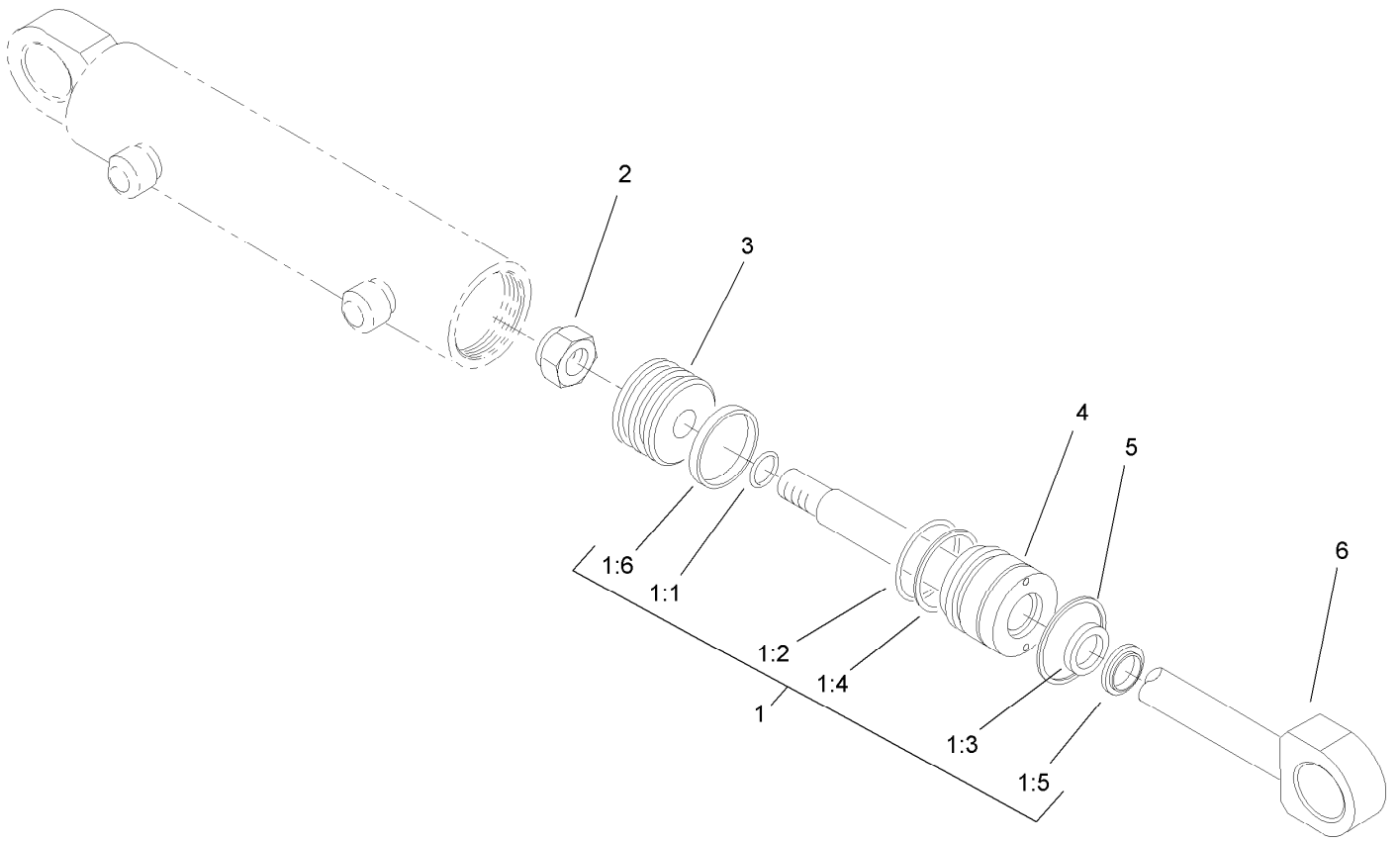
| Ref. | Part Number | Qty. | Description | Ref. | Part Number | Qty. | Description |
|------|-------------|------|-----------------------------|------|-------------|------|------------------|
| 29:2 | 117-3208 | 2 | Washer-Lock, Internal Tooth | 39 | 32104-95 | 8 | Screw-HWH |
| 30 | 3296-56 | 8 | Nut-Lock, NI | 40 | 325-7 | 3 | Screw-HH |
| 31 | 3256-22 | 4 | Washer-Flat | 41 | 3253-7 | 4 | Washer-Lock |
| 32 | 119-0080 | 1 | Mount-Switch, LH | 42 | 9202424 | 3 | Spacer |
| 33 | 3229-1 | 4 | Bolt-CARR | 43 | 104-0858 | 4 | Bolt-Shoulder |
| 34 | 104-8301 | 45 | Nut-HF, NI | 44 | 68-0090 | 4 | Screw-Adjusting |
| 35 | 29-4820 | 2 | Roller | 45 | 9114524 | 4 | Bolt-TAP, HH |
| 36 | 325-17 | 2 | Screw-HH | 46 | 32128-26 | 8 | Nut-Flange |
| 37 | 106-7179 | 2 | Pad-Foam | 47 | 32128-14 | 8 | Nut-HF |
| 38 | 106-7227 | 4 | Support-Pad | 48 | 107938 | 4 | Spring-Extension |



Low Driven Spindle Assembly No. 119-4776

| <i>Ref.</i> | <i>Part Number</i> | <i>Qty.</i> | <i>Description</i> |
|-------------|--------------------|-------------|-----------------------|
| 1 | 3296-60 | 1 | Nut-Lock, NI |
| 2 | 104-3546 | 1 | Pulley-Driven, Low |
| 4 | 119-4775 | 1 | Spindle Housing ASM |
| 4:1 | | 1 | Spindle ASM ● |
| 4:1:2 | 114-8195 | 8 | Bolt-Ribbed Neck |
| 4:2 | 104-3549 | 1 | Bearing Spacer Set |
| 4:3 | 110-8297 | 1 | Bearing ASM |
| 4:4 | 253-154 | 2 | Seal-Oil |
| 4:5 | 302-60 | 1 | Fitting-Grease |
| 5 | 69-6950 | 1 | Spacer-Shaft, Spindle |
| 6 | 104-3554 | 1 | Shaft-Spindle |
| 7 | 104-8322 | 1 | Washer-Hardened |
| 8 | 106-7159 | 1 | O-Ring |

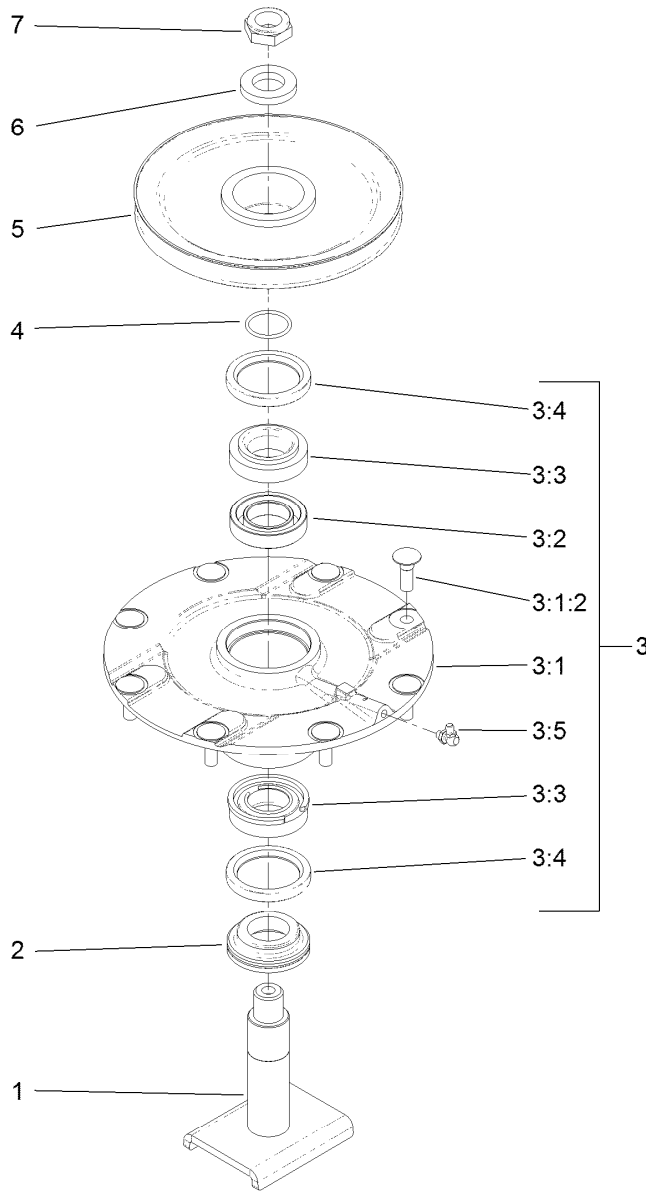
● Not serviced separately



Wing Lift Cylinder Assembly No. 107-0190

| <i>Ref.</i> | <i>Part Number</i> | <i>Qty.</i> | <i>Description</i> |
|-------------|--------------------|-------------|--------------------|
| 1 | 107-0247 | 1 | Seal Kit |
| 1:1 | | 1 | O-Ring ● |
| 1:2 | | 1 | O-Ring ● |
| 1:3 | | 1 | Seal ● |
| 1:4 | | 1 | Back-Up ● |
| 1:5 | | 1 | Wiper ● |
| 1:6 | | 1 | Seal W/O-Ring ● |
| 2 | | 1 | Locknut ● |
| 3 | | 1 | Piston ● |
| 4 | | 1 | Head ● |
| 5 | | 1 | Ring-Retaining ● |
| 6 | | 1 | Rod ASM ● |

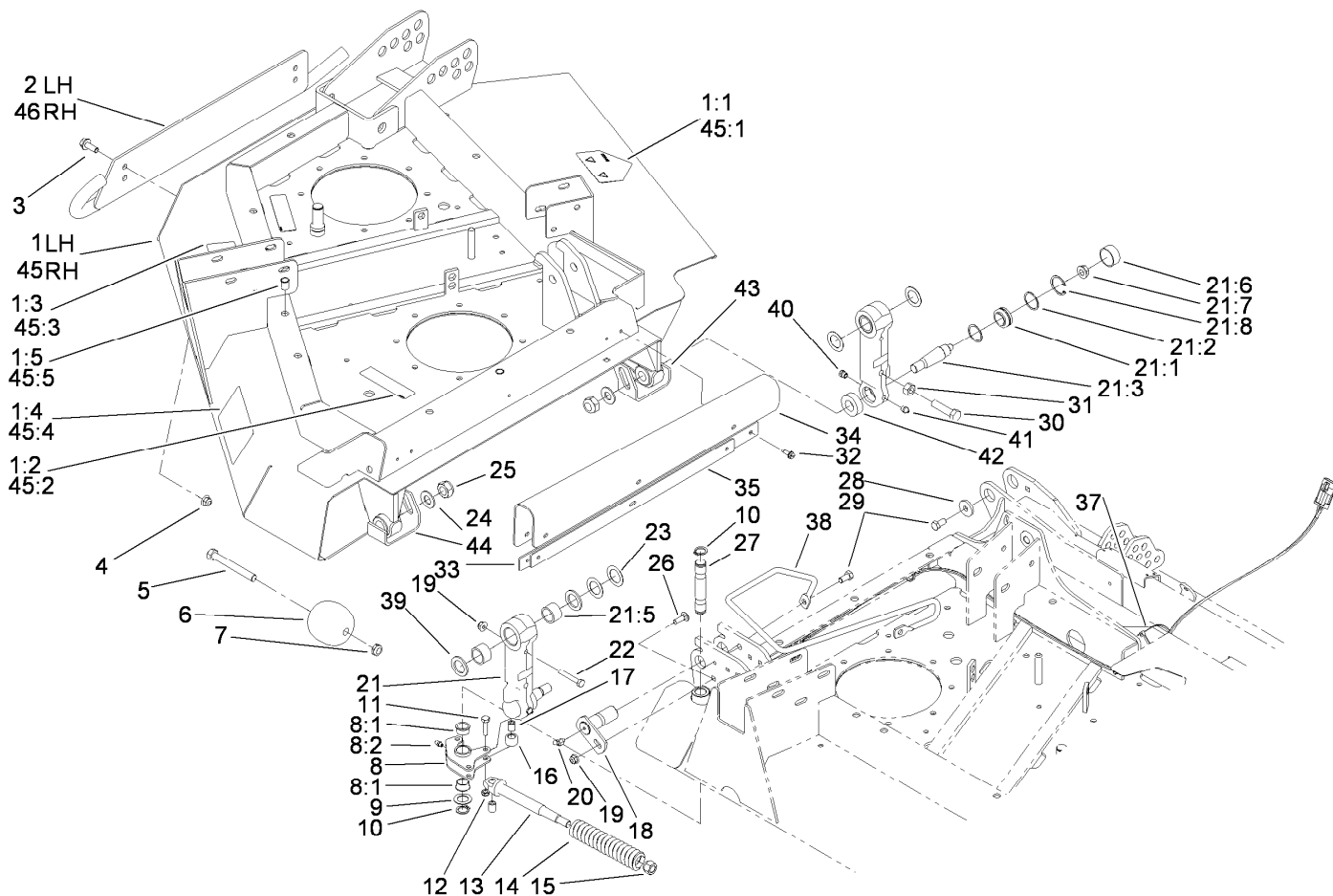
● Not serviced separately



High Driven Spindle Assembly No. 119-4549

| Ref. | Part Number | Qty. | Description |
|-------|-------------|------|-----------------------|
| 1 | 104-3554 | 1 | Shaft-Spindle |
| 2 | 69-6950 | 1 | Spacer-Shaft, Spindle |
| 3 | 119-4775 | 1 | Spindle Housing ASM |
| 3:1 | | 1 | Spindle ASM ● |
| 3:1:2 | 114-8195 | 8 | Bolt-Ribbed Neck |
| 3:2 | 104-3549 | 1 | Bearing Spacer Set |
| 3:3 | 110-8297 | 1 | Bearing ASM |
| 3:4 | 253-154 | 2 | Seal-Oil |
| 3:5 | 302-60 | 1 | Fitting-Grease |
| 4 | 106-7159 | 1 | O-Ring |
| 5 | 104-3548 | 1 | Pulley-Driven, High |
| 6 | 104-8322 | 1 | Washer-Hardened |
| 7 | 3296-60 | 1 | Nut-Lock, NI |

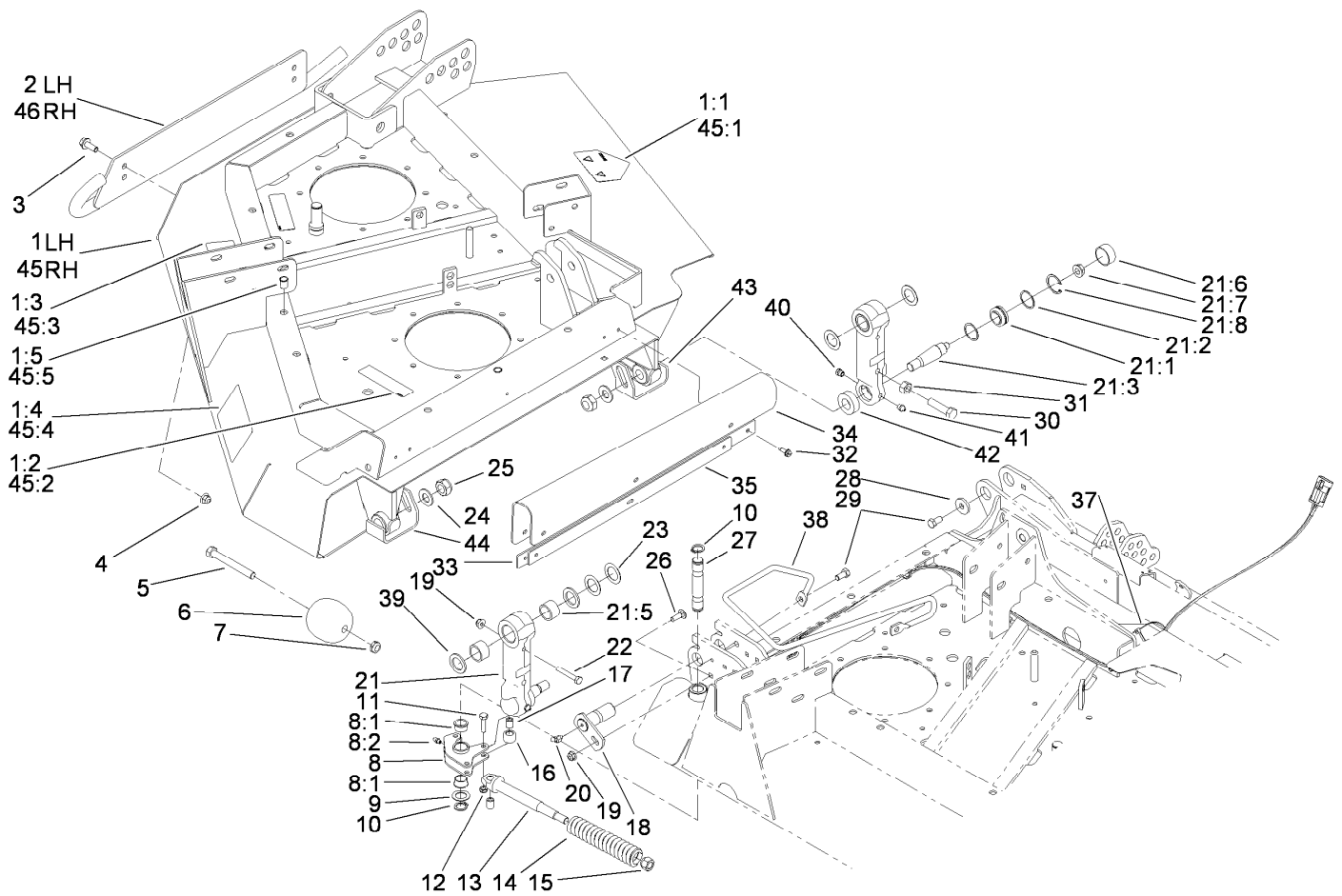
● Not serviced separately



Right Hand and Left Hand Deck Installation Assembly

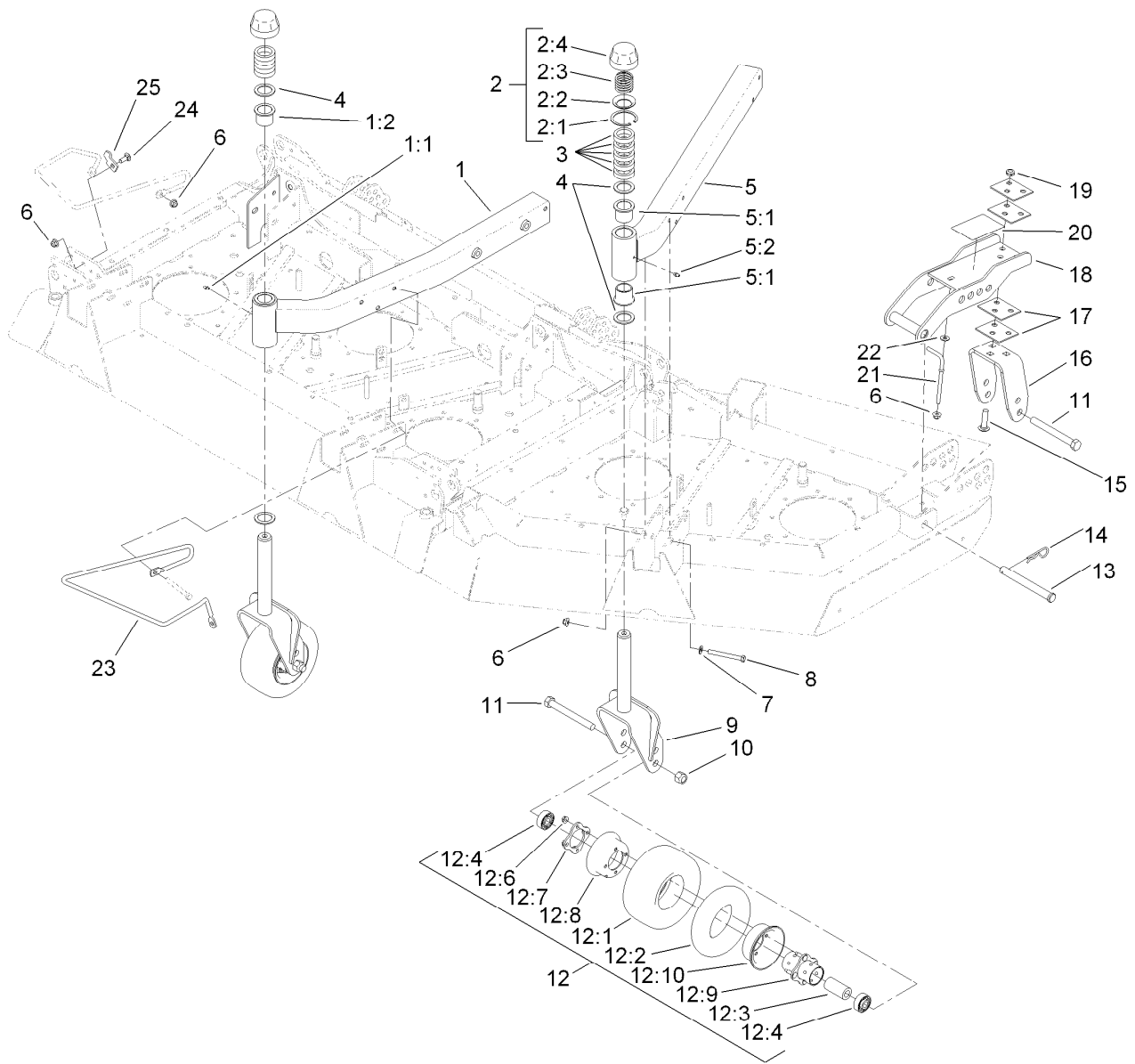
| Ref. | Part Number | Qty. | Description |
|------|-------------|------|--------------------------|
| 1 | 110-3298 | 1 | RH Deck ASM |
| 1:1 | 120-6604 | 1 | Decal-Danger |
| 1:2 | 100-6578 | 2 | Decal-Danger |
| 1:3 | 93-7818 | 1 | Decal-Torque, Blade Bolt |
| 1:4 | 100-5622 | 1 | Decal-HOC |
| 1:5 | 32148-9 | 4 | Insert-Nut |
| 2 | 105-7430-01 | 1 | RH Skid ASM |
| 3 | 3234-42 | 4 | Screw-HHF |
| 4 | 104-8301 | 4 | Nut-HF, NI |
| 5 | 325-17 | 2 | Screw-HH |
| 6 | 29-4820 | 2 | Roller |
| 7 | 3296-45 | 2 | Nut-Hex |
| 8 | 105-7469 | 2 | Latch ASM |
| 8:1 | 256-252 | 2 | Bearing-Flange |
| 8:2 | 302-5 | 1 | Fitting-Grease |
| 9 | 1278 | 2 | Washer |
| 10 | 32120-93 | 4 | Ring-Retaining |
| 11 | 322-6 | 6 | Screw-HH |
| 12 | 3296-47 | 6 | Nut-Lock, NI |

| Ref. | Part Number | Qty. | Description |
|------|-------------|------|----------------------|
| 13 | 106-4317 | 2 | Support-Spring |
| 14 | 86-2560 | 2 | Spring-Comp |
| 15 | 242-50 | 2 | Nut-Lug |
| 16 | 86-2120 | 4 | Roller-Lock |
| 17 | 86-2090 | 6 | Bushing |
| 18 | 106-7171 | 4 | Pin Pivot ASM |
| 19 | 104-8300 | 6 | Nut-HF, NI |
| 20 | 302-11 | 4 | Fitting-Lube, 45 DEG |
| 21 | 112-9116 | 4 | Link ASM |
| 21:1 | 105-7441 | 1 | Bearing-Spherical |
| 21:2 | 110-6198 | 2 | Washer-Flat |
| 21:3 | 105-7468 | 1 | Stud-Tapered |
| 21:5 | 106-7248 | 2 | Bushing |
| 21:6 | 110-6197 | 1 | Cap-Dust |
| 21:7 | 32128-42 | 1 | Nut-HF |
| 21:8 | 32151-34 | 1 | Ring-Retaining |
| 22 | 322-10 | 2 | Screw-HH |
| 23 | 9547 | 8 | Washer-Thrust |
| 24 | 3256-27 | 4 | Washer-Flat |



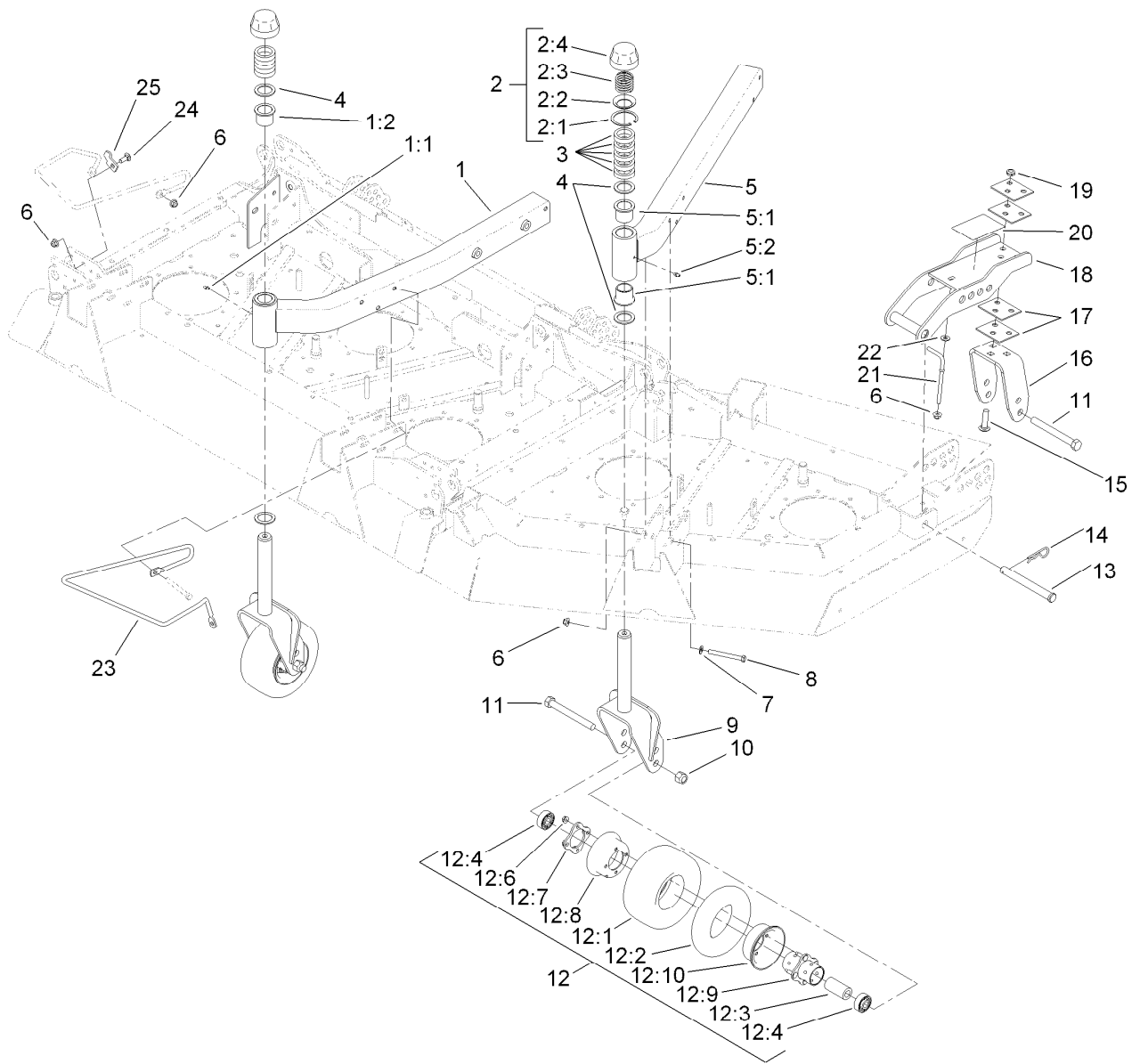
Right Hand and Left Hand Deck Installation Assembly (continued)

| <i>Ref.</i> | <i>Part Number</i> | <i>Qty.</i> | <i>Description</i> | <i>Ref.</i> | <i>Part Number</i> | <i>Qty.</i> | <i>Description</i> |
|-------------|--------------------|-------------|--------------------|-------------|--------------------|-------------|------------------------------------|
| 25 | 112-9119 | 4 | Nut-Lock, NI | 40 | 302-39 | 4 | Fitting-Plug |
| 26 | 3230-2 | 4 | Bolt-CARR | 41 | 302-52 | 4 | Fitting-Grease |
| 27 | 105-7482 | 2 | Pin-Latch | 42 | 110-6196 | 4 | Washer-Foam |
| 28 | 53-6380 | 2 | Washer-Flat | 43 | 112-9106-01 | 2 | Skid-Link (Left Front, Right Rear) |
| 29 | 323-4 | 4 | Screw-HH | 44 | 112-9105-01 | 2 | Skid-Link (Right Front, Left Rear) |
| 30 | 325-8 | 2 | Screw-HH | 45 | 110-3299 | 1 | LH Deck ASM |
| 31 | 3217-9 | 2 | Nut-HH | 45:1 | 120-6604 | 1 | Decal-Danger |
| 32 | 32104-95 | 12 | Screw-HWH | 45:2 | 100-6578 | 2 | Decal-Danger |
| 33 | 107-0170-03 | 2 | Strap-Wing | 45:3 | 93-7818 | 1 | Decal-Torque, Blade Bolt |
| 34 | 106-4334 | 2 | Shield-Flex | 45:4 | 100-5622 | 1 | Decal-HOC |
| 35 | 107-0171-03 | 2 | Strap-Shield | 45:5 | 32148-9 | 4 | Insert-Nut |
| 37 | 3290-379 | 4 | Tie-Cable | 46 | 105-7437-01 | 1 | LH Skid ASM |
| 38 | 107-0182 | 1 | Guide-Hose, RH | | | | |
| 39 | 92-7845 | 4 | Spacer-Hardened | | | | |



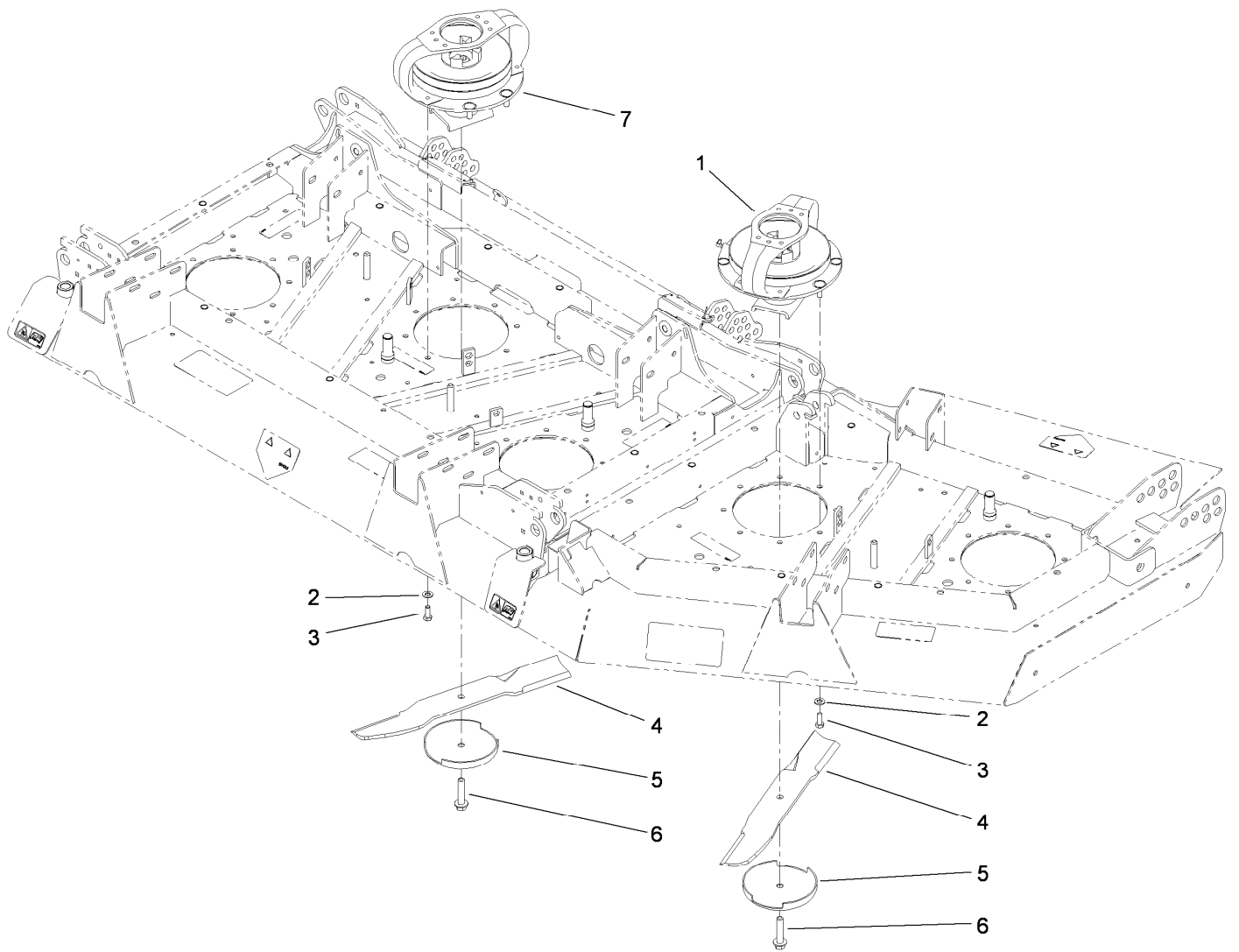
Caster Wheel Assembly

| Ref. | Part Number | Qty. | Description | Ref. | Part Number | Qty. | Description |
|------|-------------|------|-----------------------|-------|-------------|------|-----------------------|
| 1 | 105-7414 | 2 | Center Castor Arm ASM | 12:2 | 68-8950 | 1 | Tube-Inner (W/Valve) |
| 1:1 | 69-6470 | 2 | Bushing-Castor | 12:3 | 93-4241 | 1 | Spacer-Bearing, Inner |
| 1:2 | 302-5 | 1 | Fitting-Grease | 12:4 | 120-3366 | 2 | Bearing |
| 2 | 92-9727 | 4 | HOC Cap ASM | 12:6 | 32128-16 | 4 | Nut-HHF |
| 2:1 | 92-5581 | 1 | Ring-Retaining | 12:7 | 93-4242 | 1 | Plate |
| 2:2 | 92-5583 | 1 | Washer-Cap | 12:8 | 93-4239 | 1 | Rim-Wheel, Half |
| 2:3 | 92-9726 | 1 | Spring-Compression | 12:9 | 93-5980 | 1 | Hub |
| 2:4 | 92-8861 | 1 | Cap-HOC | 12:10 | 95-2741 | 1 | Rim-Wheel, Half |
| 3 | 69-1510 | 20 | Spacer | 13 | 100-5569 | 4 | Pin-Clevis |
| 4 | 69-6860 | 8 | Washer-Thrust | 14 | 3290-343 | 4 | Pin-Hair |
| 5 | 105-7429 | 2 | Side Castor Arm ASM | 15 | 3233-4 | 6 | Screw-CARR |
| 5:1 | 69-6470 | 2 | Bushing-Castor | 16 | 105-7457-01 | 2 | Fork-Rear |
| 5:2 | 302-5 | 1 | Fitting-Grease | 17 | 104-7524 | 8 | Shim |
| 6 | 104-8301 | 24 | Nut-HF, NI | 18 | 104-7529-01 | 2 | Bracket-Castor |
| 7 | 3256-24 | 18 | Washer-Flat | 19 | 3296-45 | 6 | Nut-Hex |
| 8 | 323-15 | 20 | Screw-HH | 20 | 100-5623 | 1 | Decal-HOC |
| 9 | 92-7750-01 | 4 | Fork-Castor | 20 | 104-3579 | 1 | Decal-HOC |
| 10 | 3296-53 | 6 | Nut-Lock, NI | 21 | 106-2047 | 2 | Rod-Tension |
| 11 | 327-24 | 6 | Screw-HH | 22 | 3256-3 | 2 | Washer-Flat |
| 12 | 93-9938 | 6 | Wheel ASM | 23 | 107-0183 | 1 | Guide-Hose, LH |
| 12:1 | 93-9939 | 1 | Tire | | | | |



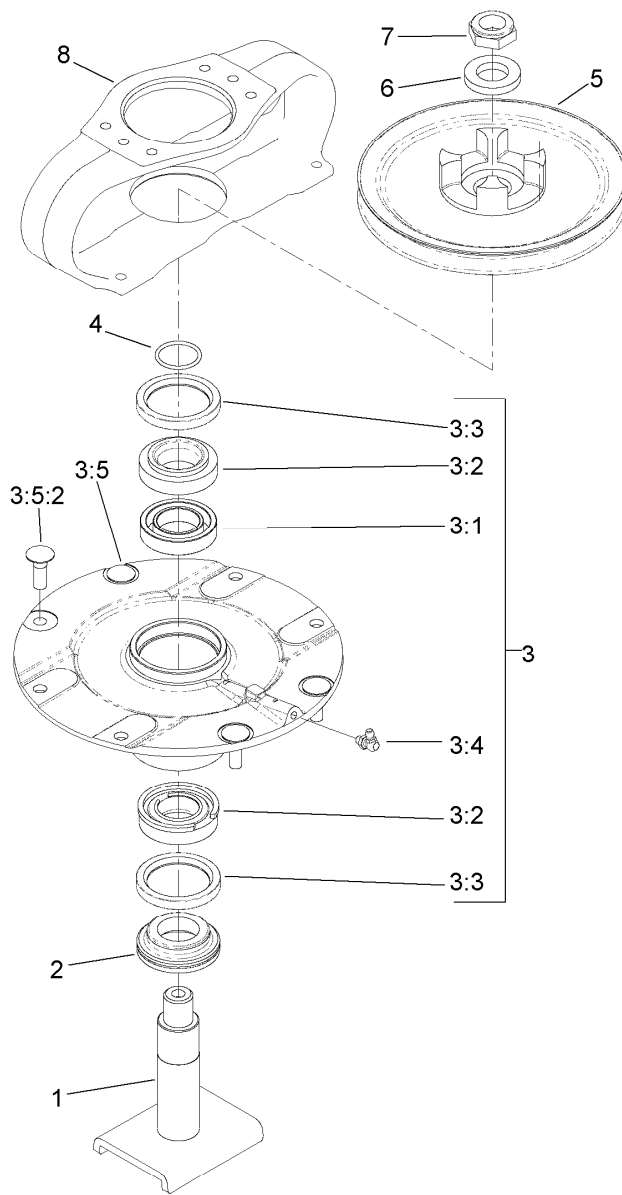
Caster Wheel Assembly (continued)

| <i>Ref.</i> | <i>Part Number</i> | <i>Qty.</i> | <i>Description</i> |
|-------------|--------------------|-------------|--------------------|
| 24 | 3231-2 | 2 | Bolt-CARR |
| 25 | 107-0229 | 2 | Tab-Guide |



Spindle and Blade Assembly

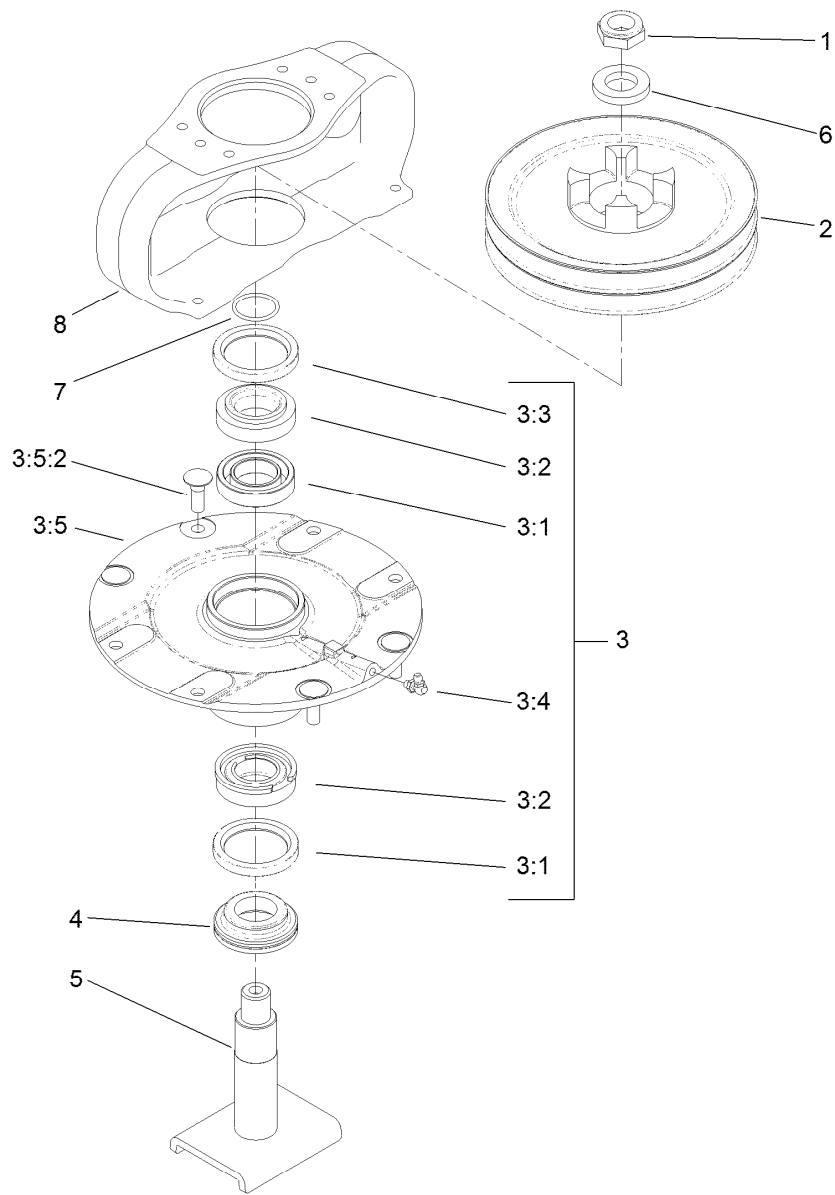
| Ref. | Part Number | Qty. | Description |
|------|-------------|------|-----------------------------|
| 1 | 119-4547 | 2 | Driving Spindle ASM |
| 2 | 3256-24 | 12 | Washer-Flat |
| 3 | 323-6 | 12 | Screw-HH |
| 4 | 106-7166-03 | 7 | Blade-Combination (19 Inch) |
| 5 | 72-9361 | 7 | Cup-Scalp, Anti |
| 6 | 92-5816 | 7 | Bolt-Blade |
| 7 | 119-5298 | 1 | Double-Driven Spindle ASM |



Driving Spindle Assembly No. 119-4547

| Ref. | Part Number | Qty. | Description |
|-------|-------------|------|-----------------------|
| 1 | 104-3554 | 1 | Shaft-Spindle |
| 2 | 69-6950 | 1 | Spacer-Shaft, Spindle |
| 3 | 119-4546 | 1 | Spindle Housing ASM |
| 3:1 | 104-3549 | 1 | Bearing Spacer Set |
| 3:2 | 110-8297 | 1 | Bearing ASM |
| 3:3 | 253-154 | 2 | Seal-Oil |
| 3:4 | 302-60 | 1 | Fitting-Grease |
| 3:5 | | 1 | Spindle ASM ● |
| 3:5:2 | 114-8195 | 4 | Bolt-Ribbed Neck |
| 4 | 106-7159 | 1 | O-Ring |
| 5 | 104-3545 | 1 | Pulley-Driving |
| 6 | 104-8322 | 1 | Washer-Hardened |
| 7 | 3296-60 | 1 | Nut-Lock, NI |
| 8 | 104-3544 | 1 | Mount-Motor, Drive |

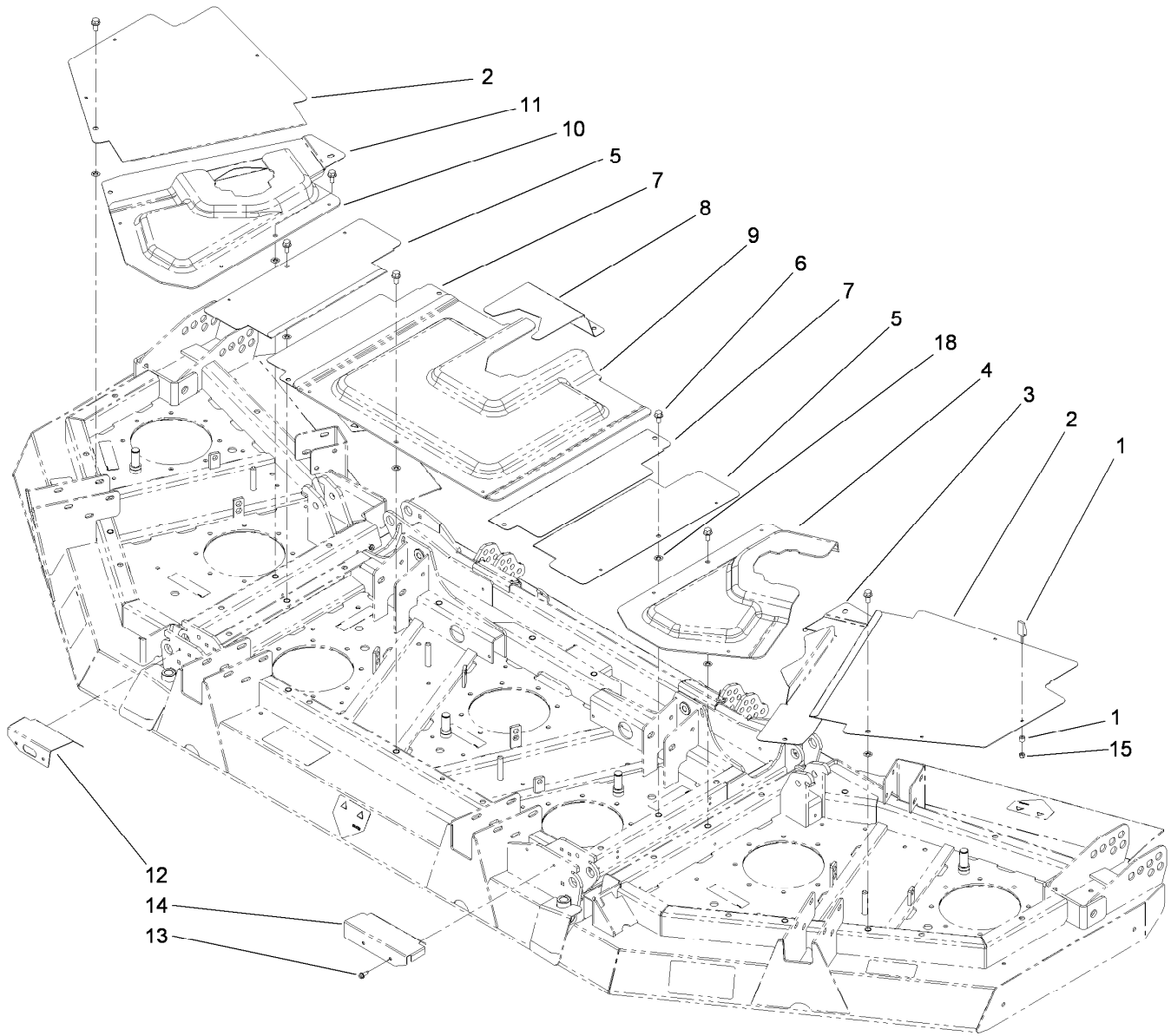
● Not serviced separately



Double Driven Spindle Assembly No. 119-5298

| Ref. | Part Number | Qty. | Description |
|-------|-------------|------|-----------------------|
| 1 | 3296-60 | 1 | Nut-Lock, NI |
| 2 | 106-4269 | 1 | Pulley-Drive, Double |
| 3 | 119-4546 | 1 | Spindle Housing ASM |
| 3:1 | 104-3549 | 1 | Bearing Spacer Set |
| 3:2 | 110-8297 | 1 | Bearing ASM |
| 3:3 | 253-154 | 2 | Seal-Oil |
| 3:4 | 302-60 | 1 | Fitting-Grease |
| 3:5 | | 1 | Spindle ASM ● |
| 3:5:2 | 114-8195 | 4 | Bolt-Ribbed Neck |
| 4 | 69-6950 | 1 | Spacer-Shaft, Spindle |
| 5 | 104-3554 | 1 | Shaft-Spindle |
| 6 | 104-8322 | 1 | Washer-Hardened |
| 7 | 106-7159 | 1 | O-Ring |
| 8 | 106-4268 | 1 | Mount-Motor, Drive |

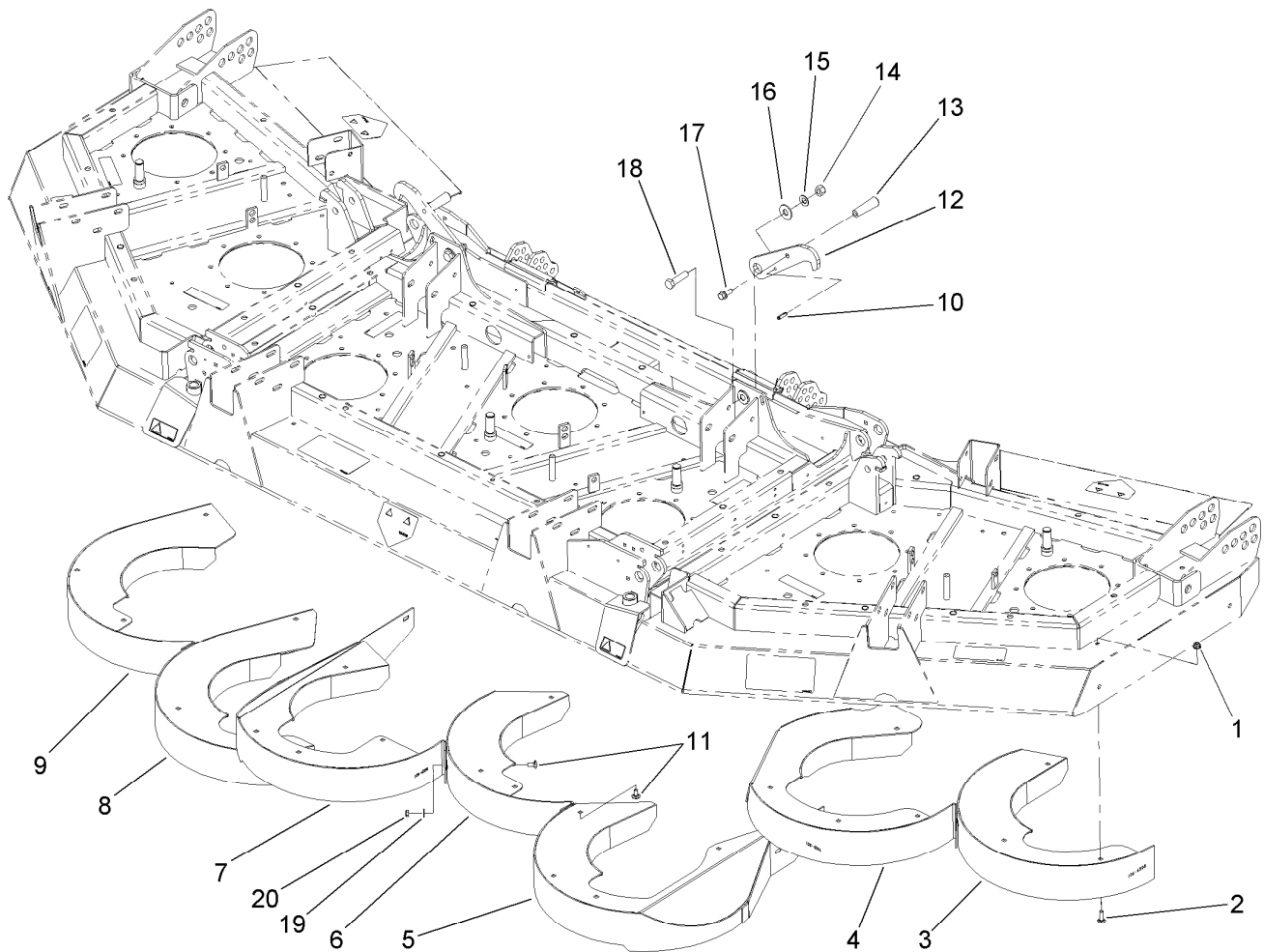
● Not serviced separately



Deck Cover Assembly

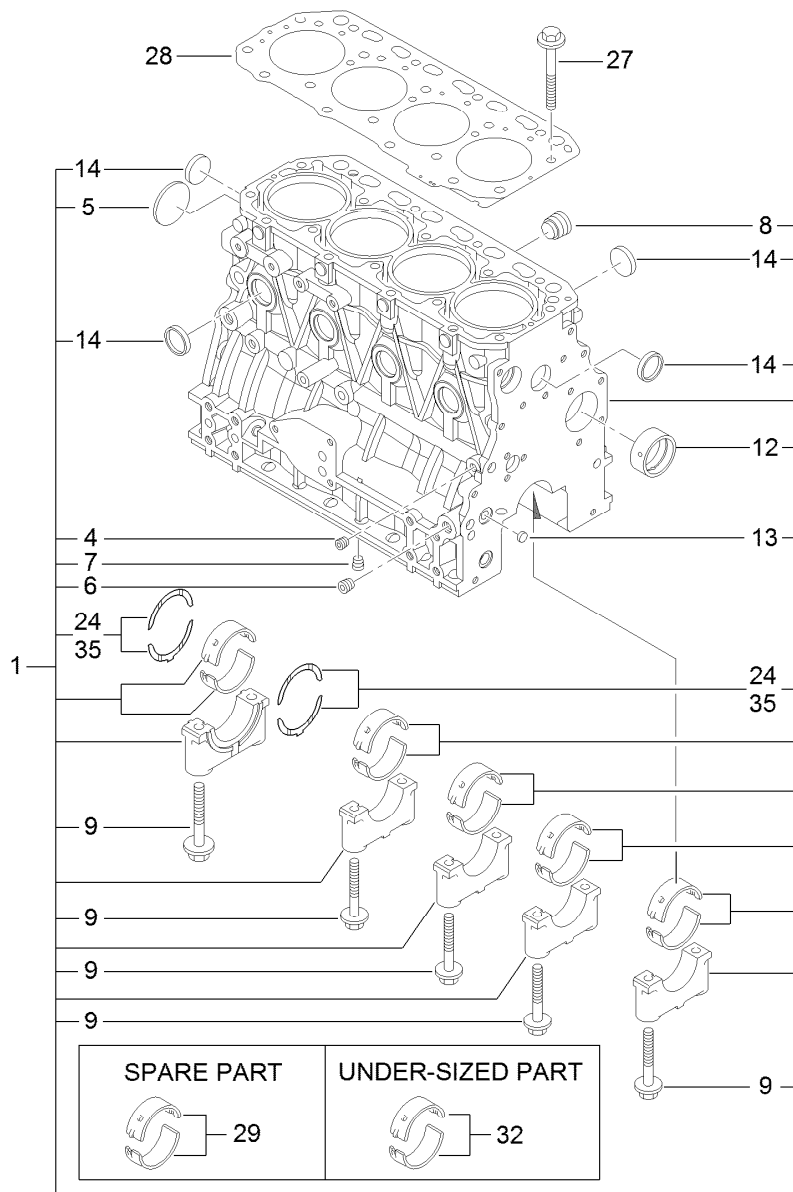
| <i>Ref.</i> | <i>Part Number</i> | <i>Qty.</i> | <i>Description</i> |
|-------------|--------------------|-------------|---------------------|
| 1 | 74-5950 | 18 | Latch-Swell |
| 2 | 106-4256-03 | 2 | Cover-Outer, Wing |
| 3 | 106-4258-03 | 1 | Cover-Inner, LH |
| 4 | 106-4260 | 1 | Cover-Mount, LH |
| 5 | 106-4252-03 | 2 | Cover-Outer, Center |
| 6 | 3234-1 | 17 | Screw-HHF |
| 7 | 106-4255-03 | 2 | Cover-Inner, Center |
| 8 | 106-4253-03 | 1 | Cover-Rear, Center |

| <i>Ref.</i> | <i>Part Number</i> | <i>Qty.</i> | <i>Description</i> |
|-------------|--------------------|-------------|---------------------|
| 9 | 106-4254 | 1 | Cover-Front, Center |
| 10 | 106-4259 | 1 | Cover-Mount, RH |
| 11 | 106-4257-03 | 1 | Cover-Inner, RH |
| 12 | 106-7173-01 | 1 | Shield-RH |
| 13 | 32104-95 | 4 | Screw-HWH |
| 14 | 106-7174-01 | 1 | Shield-LH |
| 15 | 1-804254 | 18 | Nut-Lock, HH |
| 18 | 107-3154 | 7 | Nut-Push |



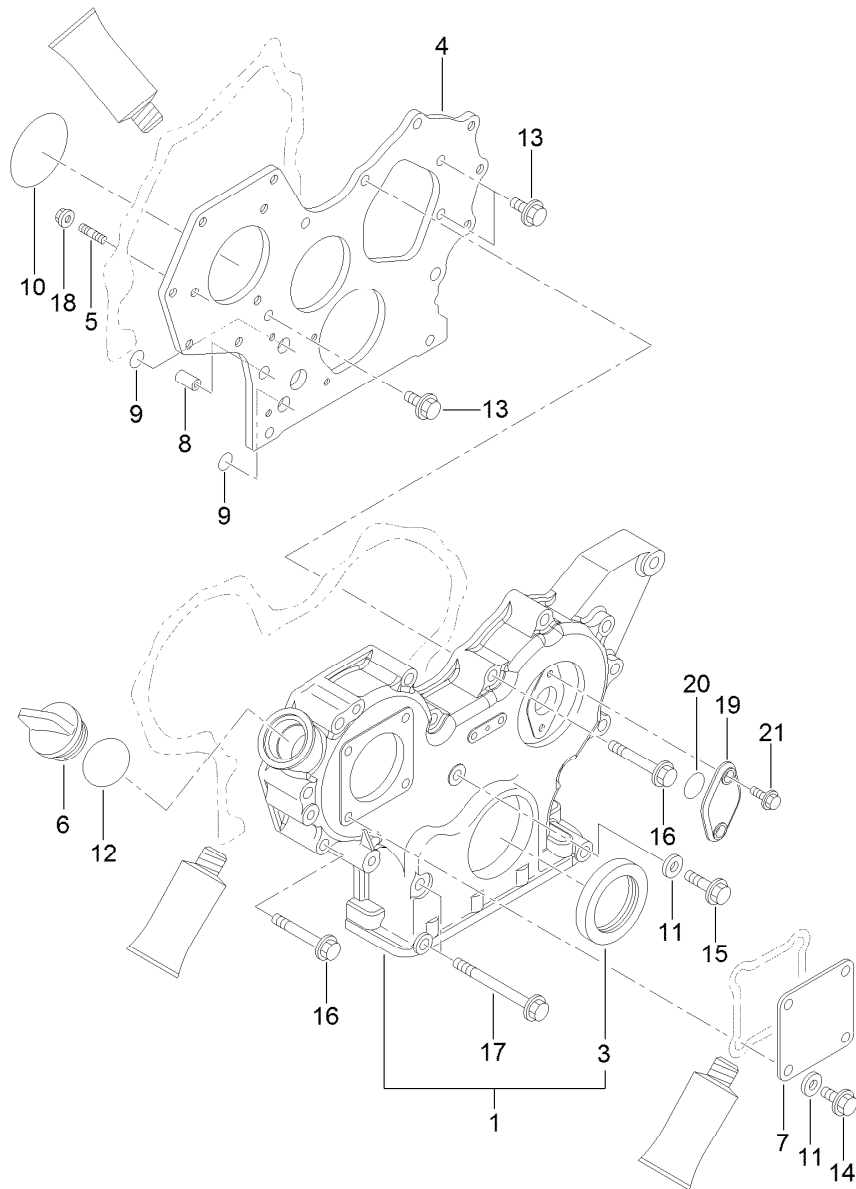
Rear Discharge Baffle Assembly

| Ref. | Part Number | Qty. | Description |
|------|-------------|------|-----------------------|
| 1 | 104-8300 | 24 | Nut-HF, NI |
| 2 | 3230-22 | 23 | Screw-CARR |
| 3 | 106-4308-01 | 1 | LH Out Chamber ASM |
| 4 | 106-4304-01 | 1 | LH Inside Chamber ASM |
| 5 | 106-4291-01 | 1 | LH Center Chamber ASM |
| 6 | 106-4294-01 | 1 | Center Chamber ASM |
| 7 | 106-4286-01 | 1 | RH Center Chamber ASM |
| 8 | 106-4298-01 | 1 | RH Inside Chamber ASM |
| 9 | 106-4301-01 | 1 | RH Out Chamber ASM |
| 10 | 32121-24 | 2 | Pin-Spring |
| 11 | 3230-18 | 5 | Screw-CARR |
| 12 | 106-4340-01 | 2 | Latch-Wing |
| 13 | 233-39 | 2 | Knob-Control |
| 14 | 3296-25 | 2 | Nut-Lock, NI |
| 15 | 3290-483 | 2 | Washer-Conical |
| 16 | 3256-6 | 2 | Washer-Flat |
| 17 | 3234-11 | 2 | Screw-HHF |
| 18 | 325-8 | 2 | Screw-HH |
| 19 | 3256-23 | 4 | Washer-Plain |
| 20 | 3296-47 | 4 | Nut-Lock, NI |



Cylinder Block Assembly

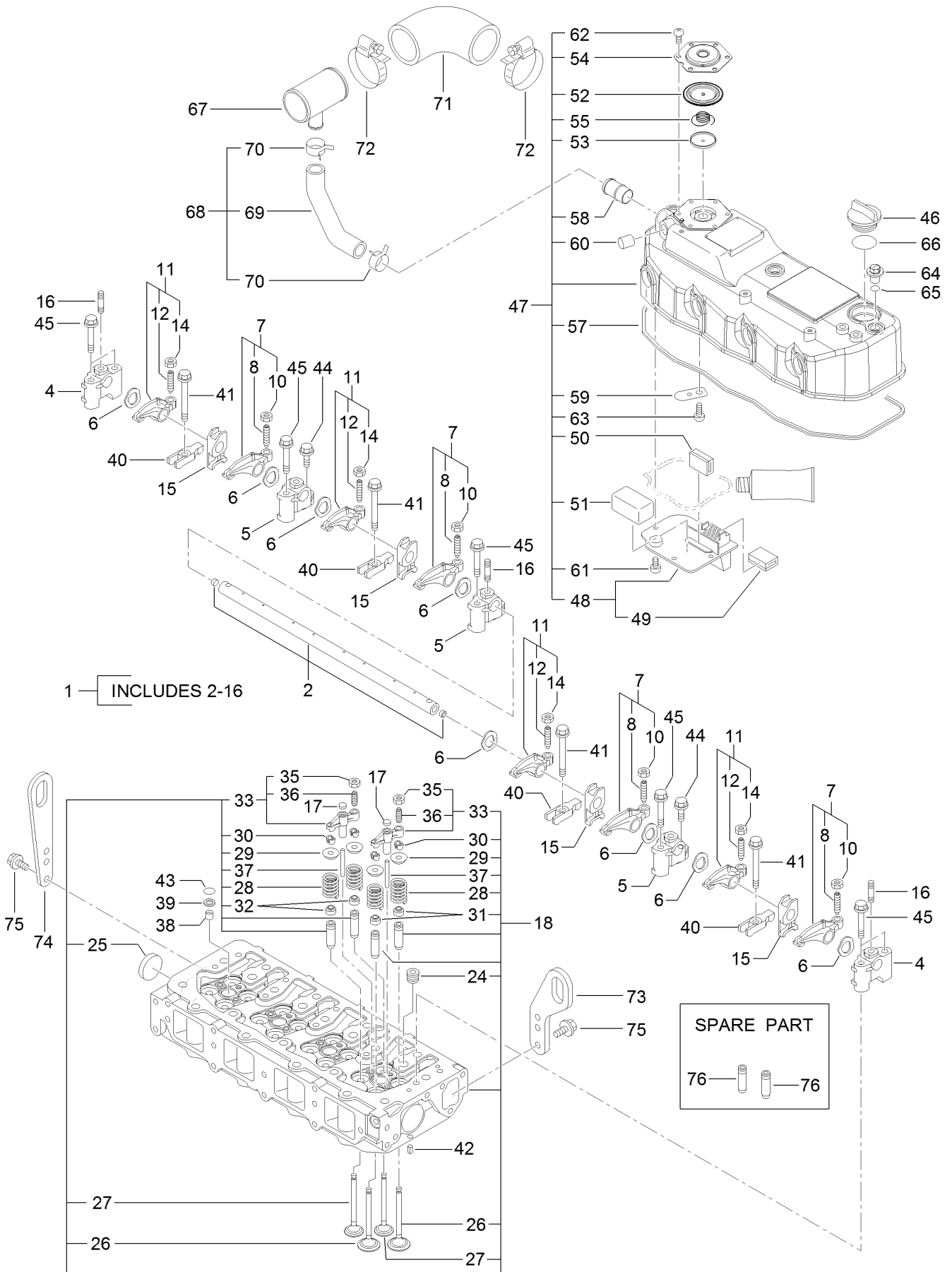
| <i>Ref.</i> | <i>Part Number</i> | <i>Qty.</i> | <i>Description</i> | <i>Ref.</i> | <i>Part Number</i> | <i>Qty.</i> | <i>Description</i> |
|-------------|--------------------|-------------|--------------------|-------------|--------------------|-------------|---------------------|
| 1 | 125-7244 | 1 | Cylinder Block Asm | 13 | 125-7237 | 2 | Plug |
| 4 | 125-6969 | 1 | Plug | 14 | 125-7239 | 8 | Plug |
| 5 | 125-6980 | 1 | Plug | 24 | 125-7010 | 2 | Metal-Thrust |
| 6 | 125-6973 | 1 | Plug | 27 | 125-7006 | 18 | Bolt |
| 7 | 125-6973 | 1 | Plug | 28 | 125-7049 | 1 | Gasket-Head |
| 8 | 125-7170 | 1 | Plug | 29 | 125-6981 | 5 | Metal-Main |
| 9 | 125-7007 | 10 | Bolt | 32 | 125-7009 | 5 | Metal-Main (0.25) |
| 12 | 125-7108 | 1 | Bushing | 35 | 125-7011 | 1 | Metal-Thrust (0.25) |



Gear Housing Assembly

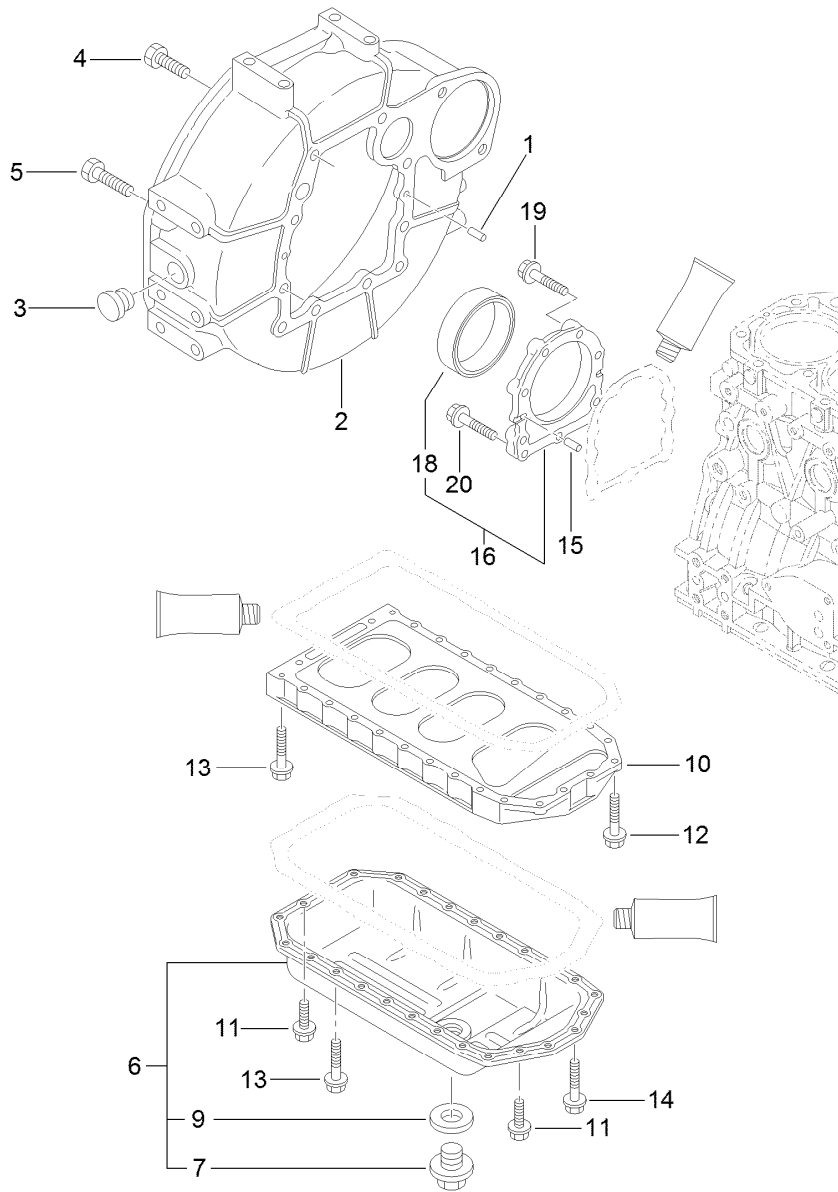
| <i>Ref.</i> | <i>Part Number</i> | <i>Qty.</i> | <i>Description</i> | <i>Ref.</i> | <i>Part Number</i> | <i>Qty.</i> | <i>Description</i> |
|-------------|--------------------|-------------|--------------------|-------------|--------------------|-------------|--------------------|
| 1 | 125-7247 | 1 | Case ASM | 12 | 125-7197 | 1 | O-Ring |
| 3 | 125-6944 | 1 | Seal-Oil | 13 | 125-7214 | 3 | Bolt |
| 4 | 125-6936 | 1 | Flange | 14 | 125-7214 | 4 | Bolt |
| 5 | 125-6919 | 3 | Stud | 15 | 125-7216 | 1 | Bolt |
| 6 | 125-6972 | 1 | Cover-Filler | 16 | 125-7221 | 12 | Bolt |
| 7 | 125-6977 | 1 | Cover | 17 | 125-7224 | 3 | Bolt |
| 8 | 125-7107 | 2 | Pipe | 18 | 125-7229 | 3 | Nut |
| 9 | 125-6909 | 2 | O-Ring | 19 | 125-6950 | 1 | Cover |
| 10 | 125-6957 | 1 | O-Ring | 20 | 125-7199 | 1 | O-Ring |
| 11 | 125-7174 | 5 | Washer-Seal | 21 | 125-7208 | 2 | Bolt |

Cylinder Head and Bonnet Assembly



Cylinder Head and Bonnet Assembly (continued)

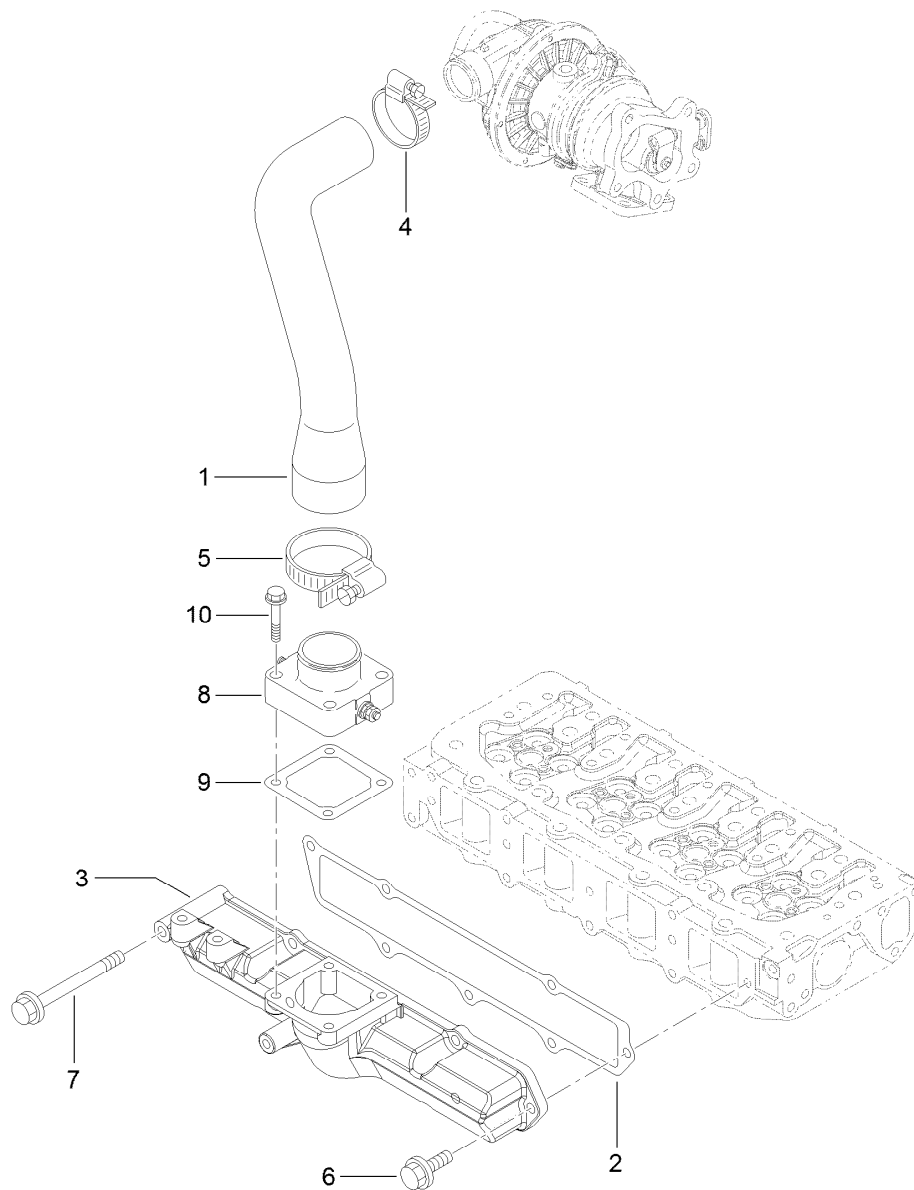
| <i>Ref.</i> | <i>Part Number</i> | <i>Qty.</i> | <i>Description</i> | <i>Ref.</i> | <i>Part Number</i> | <i>Qty.</i> | <i>Description</i> |
|-------------|--------------------|-------------|---------------------|-------------|--------------------|-------------|--------------------|
| 1 | 125-7055 | 1 | Shaft ASM | 43 | 93-0418 | 4 | O-Ring |
| 2 | 125-7056 | 1 | Shaft | 44 | 125-7215 | 3 | Bolt |
| 4 | 125-7057 | 2 | Support | 45 | 125-7220 | 7 | Bolt |
| 5 | 125-7058 | 3 | Support | 46 | 125-6972 | 1 | Cover-Filler |
| 6 | 125-7059 | 8 | Washer | 47 | 125-7099 | 1 | Bonnet ASM |
| 7 | 125-7061 | 4 | Arm-Rocker | 48 | 125-7050 | 1 | Plate |
| 8 | 125-7013 | 4 | Screw-Adjust, Valve | 49 | 125-6920 | 1 | Baffle |
| 10 | 125-7014 | 4 | Nut | 50 | 125-7012 | 1 | Baffle |
| 11 | 125-7062 | 4 | Arm-Rocker | 51 | 125-7118 | 1 | Baffle-Breather |
| 12 | 125-7013 | 4 | Screw-Adjust, Valve | 52 | 125-6959 | 1 | Diaphragm |
| 14 | 125-7014 | 4 | Nut | 53 | 125-6960 | 1 | Plate |
| 15 | 125-7593 | 1 | Retainer | 54 | 125-6961 | 1 | Plate-Breather |
| 16 | 125-7228 | 3 | Stud | 55 | 125-6962 | 1 | Spring-Diaphragm |
| 17 | 125-6963 | 8 | Seat-Bridge, Valve | 57 | 125-7060 | 1 | Gasket |
| 18 | 125-7089 | 1 | Cylinder Head ASM | 58 | 125-6982 | 1 | Pipe |
| 24 | 125-7196 | 4 | Plug | 59 | 125-6994 | 1 | Spring |
| 25 | 125-7240 | 2 | Plug | 60 | 125-6913 | 1 | Plug |
| 26 | 125-7051 | 8 | Valve | 61 | 125-7186 | 4 | Screw |
| 27 | 125-7052 | 8 | Valve | 62 | 125-7186 | 6 | Screw |
| 28 | 125-7053 | 16 | Spring | 63 | 125-7186 | 1 | Screw |
| 29 | 125-7054 | 16 | Retainer | 64 | 125-6974 | 3 | Knob |
| 30 | 125-6914 | 32 | Cotter | 65 | 93-0418 | 3 | O-Ring |
| 31 | 125-6915 | 8 | Seal-Stem, Valve | 66 | 125-7197 | 1 | O-Ring |
| 32 | 125-6916 | 8 | Seal-Stem, Valve | 67 | 125-7086 | 1 | Joint |
| 33 | 125-7104 | 8 | Bridge ASM | 68 | 125-7087 | 1 | Hose ASM |
| 35 | 125-7014 | 8 | Nut | 69 | 125-7088 | 1 | Hose |
| 36 | 125-6965 | 8 | Adjuster | 70 | 125-7040 | 2 | Clip-Hose |
| 37 | 125-7063 | 8 | Guide | 71 | 125-7090 | 1 | Hose |
| 38 | 125-6921 | 4 | Protector | 72 | 125-7190 | 2 | Clamp-Hose |
| 39 | 125-6911 | 4 | Seat-Valve | 73 | 125-7046 | 1 | Lifter |
| 40 | 125-7064 | 4 | Retainer | 74 | 125-7111 | 1 | Lifter |
| 41 | 125-7119 | 4 | Bolt | 75 | 125-7214 | 4 | Bolt |
| 42 | 125-7184 | 2 | Pin-Spring | 76 | 125-6917 | 16 | Guide |



Flywheel Housing and Oil Sump Assembly

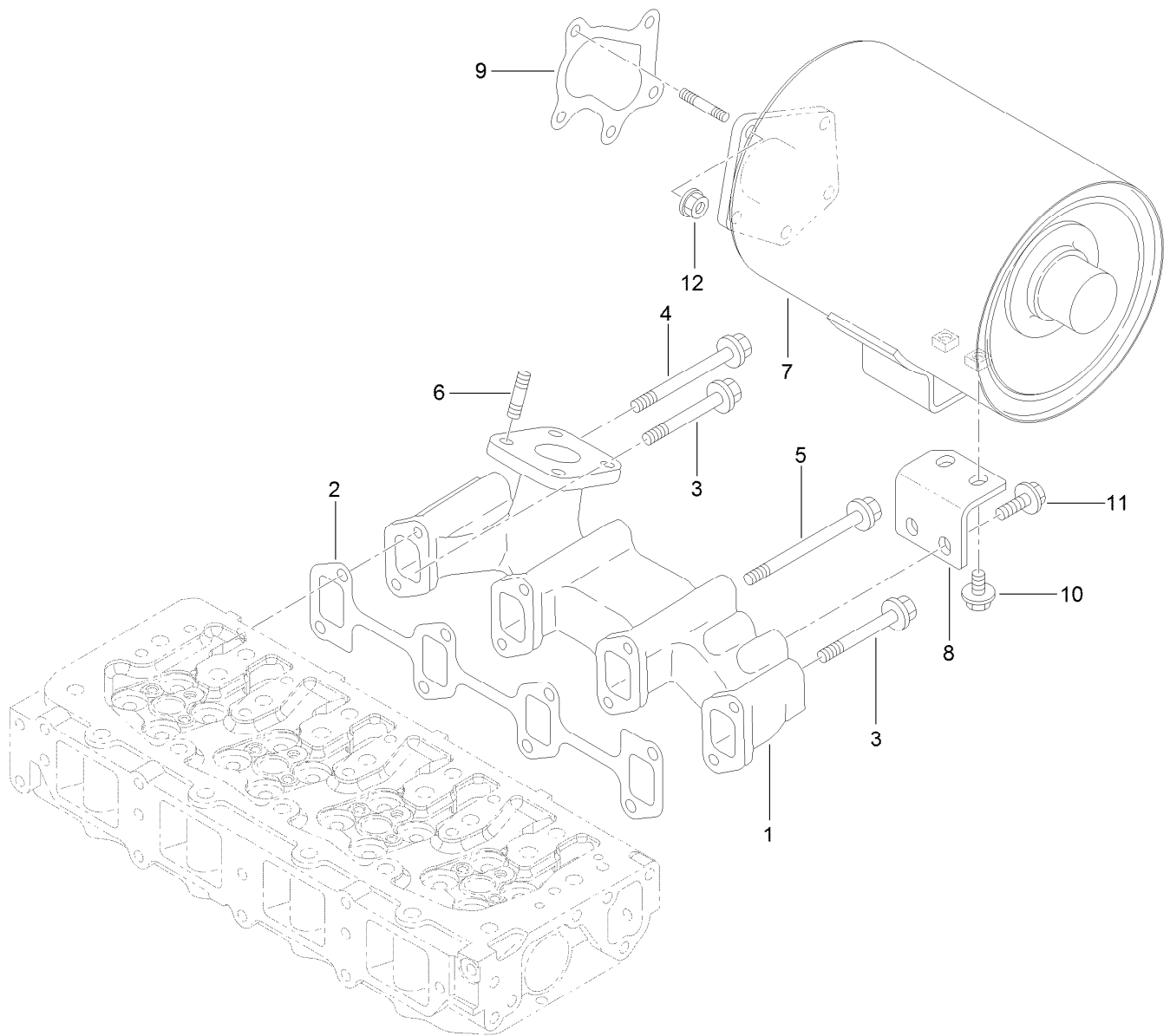
| Ref. | Part Number | Qty. | Description |
|------|-------------|------|--------------|
| 1 | 125-6995 | 2 | Pin |
| 2 | 125-7100 | 1 | Housing |
| 3 | 125-6910 | 1 | Cap |
| 4 | 125-7226 | 6 | Bolt |
| 5 | 125-7227 | 4 | Bolt |
| 6 | 125-7241 | 1 | Oil Sump ASM |
| 7 | 125-6912 | 1 | Plug-Drain |
| 9 | 125-7177 | 1 | Washer-Seal |
| 10 | 125-7035 | 1 | Spacer |

| Ref. | Part Number | Qty. | Description |
|------|-------------|------|-------------|
| 11 | 125-7214 | 4 | Bolt |
| 12 | 125-7215 | 2 | Bolt |
| 13 | 125-7219 | 20 | Bolt |
| 14 | 125-7220 | 4 | Bolt |
| 15 | 125-6995 | 2 | Pin |
| 16 | 125-6996 | 1 | Case ASM |
| 18 | 125-7106 | 1 | Seal-Oil |
| 19 | 125-7045 | 6 | Bolt |
| 20 | 125-7217 | 3 | Bolt |



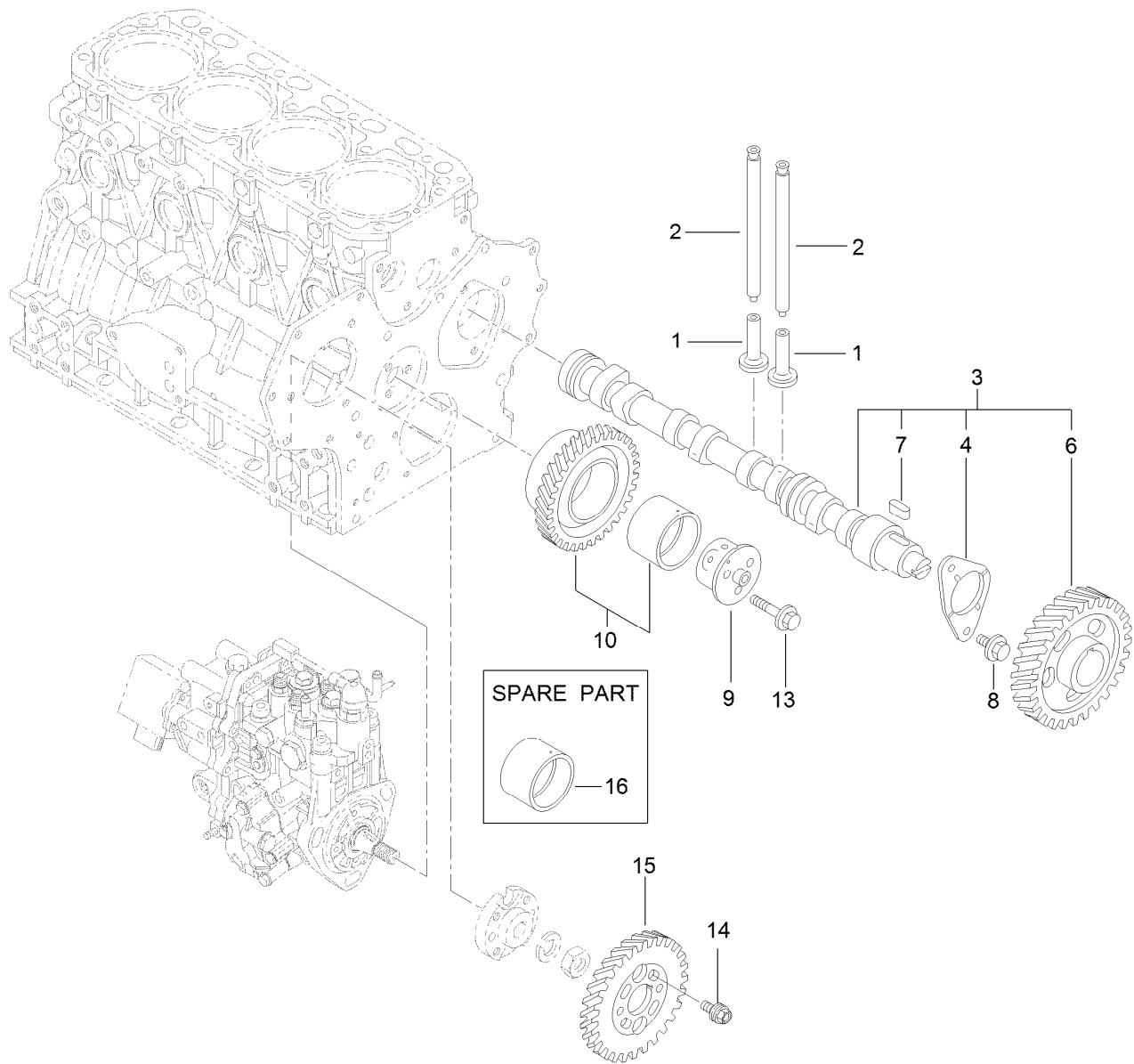
Suction Manifold Assembly

| <i>Ref.</i> | <i>Part Number</i> | <i>Qty.</i> | <i>Description</i> |
|-------------|--------------------|-------------|--------------------|
| 1 | 125-7065 | 1 | Pipe |
| 2 | 125-7066 | 1 | Gasket |
| 3 | 125-7067 | 1 | Manifold-Intake |
| 4 | 125-7189 | 1 | Clamp-Hose |
| 5 | 125-7190 | 1 | Clamp-Hose |
| 6 | 125-7595 | 6 | Bolt |
| 7 | 125-7223 | 1 | Bolt |
| 8 | 125-7002 | 1 | Heater |
| 9 | 125-7028 | 1 | Gasket |
| 10 | 125-7217 | 4 | Bolt |



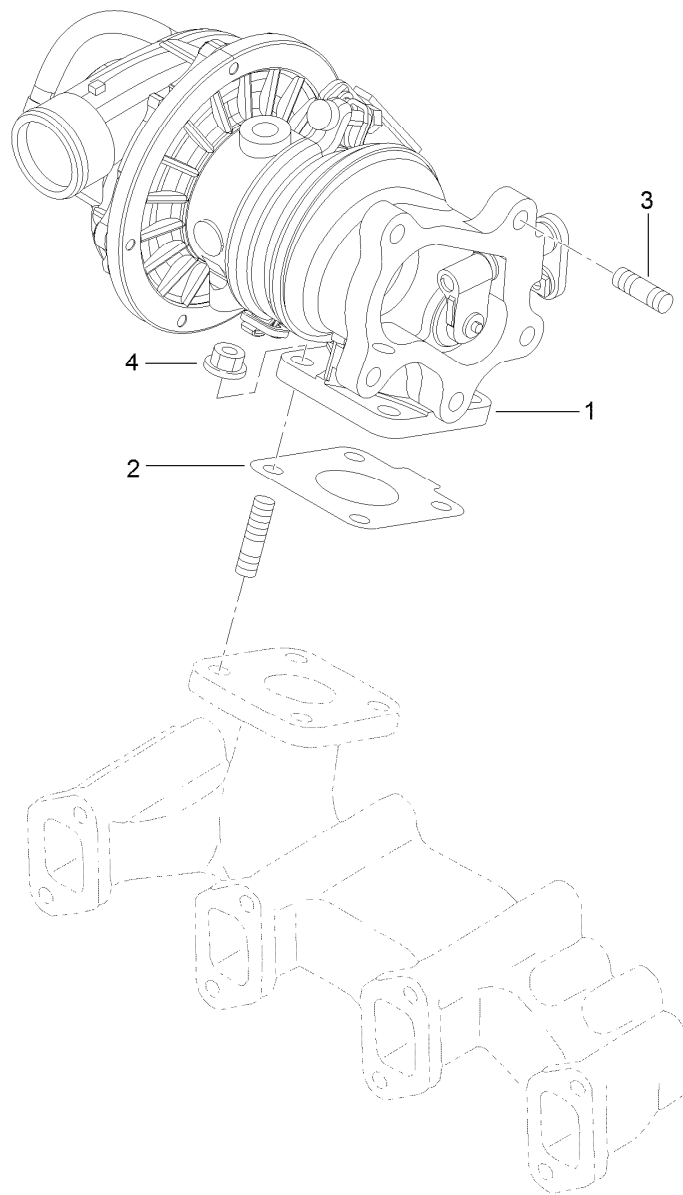
Exhaust Manifold and Silencer Assembly

| <i>Ref.</i> | <i>Part Number</i> | <i>Qty.</i> | <i>Description</i> |
|-------------|--------------------|-------------|--------------------|
| 1 | 125-7093 | 1 | Manifold-Exhaust |
| 2 | 125-7096 | 1 | Gasket |
| 3 | 125-6922 | 3 | Bolt |
| 4 | 125-6923 | 1 | Bolt |
| 5 | 125-6924 | 4 | Bolt |
| 6 | 125-6906 | 4 | Stud |
| 7 | 125-7094 | 1 | Silencer |
| 8 | 125-7095 | 1 | Support-Silencer |
| 9 | 125-7071 | 1 | Gasket |
| 10 | 125-7213 | 2 | Bolt |
| 11 | 125-7595 | 2 | Bolt |
| 12 | 125-7229 | 5 | Nut |



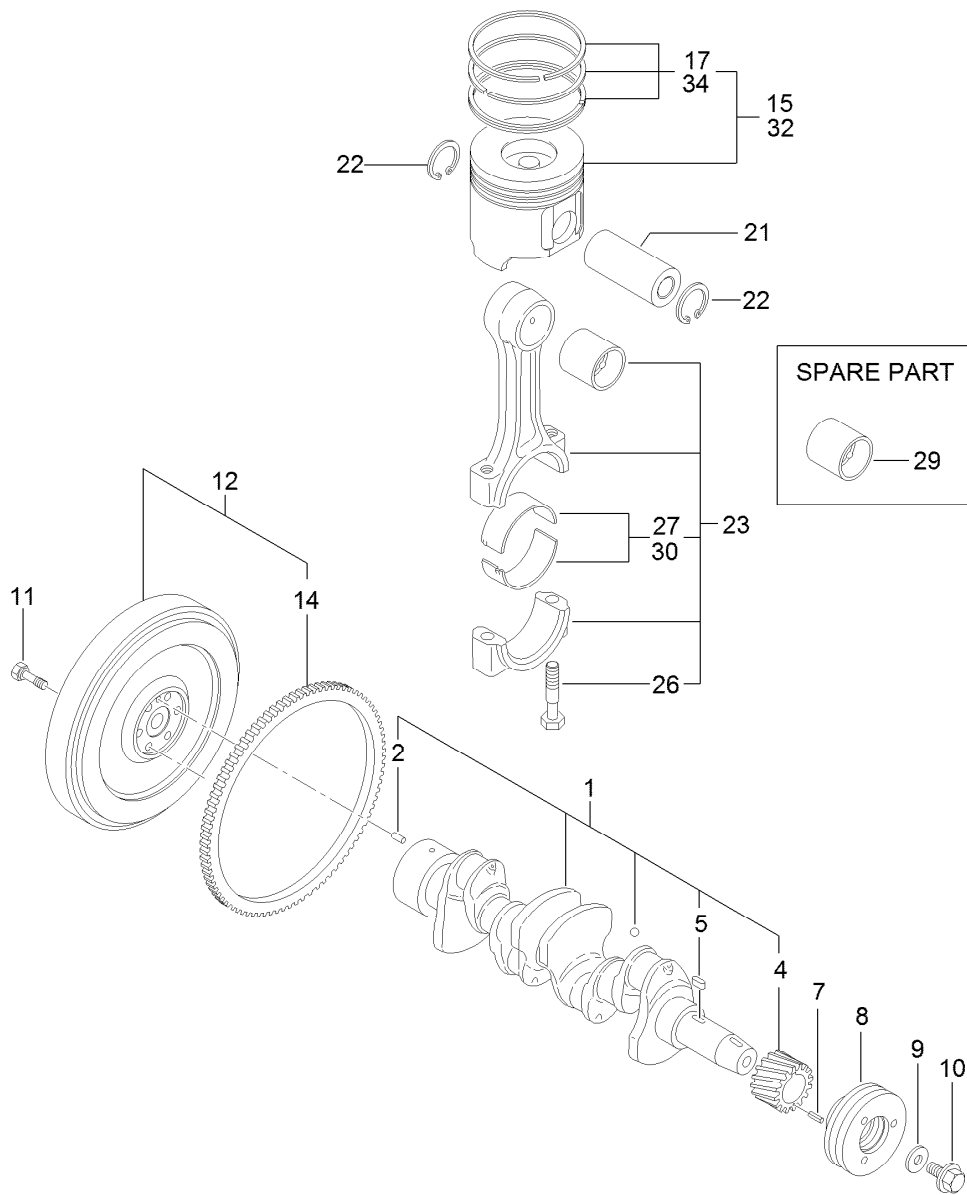
Camshaft and Driving Gear Assembly

| Ref. | Part Number | Qty. | Description |
|------|-------------|------|--------------|
| 1 | 125-7016 | 8 | Tappet |
| 2 | 125-7017 | 8 | Rod-Push |
| 3 | 125-7068 | 1 | Camshaft ASM |
| 4 | 125-7008 | 1 | Metal-Thrust |
| 6 | 125-7015 | 1 | Gear |
| 7 | 125-7185 | 1 | Key |
| 8 | 125-7213 | 2 | Bolt |
| 9 | 125-6938 | 1 | Shaft |
| 10 | 125-6928 | 1 | Gear ASM |
| 13 | 125-7218 | 3 | Bolt |
| 14 | 125-7020 | 4 | Bolt |
| 15 | 125-6929 | 1 | Gear |
| 16 | 125-6927 | 1 | Bushing |



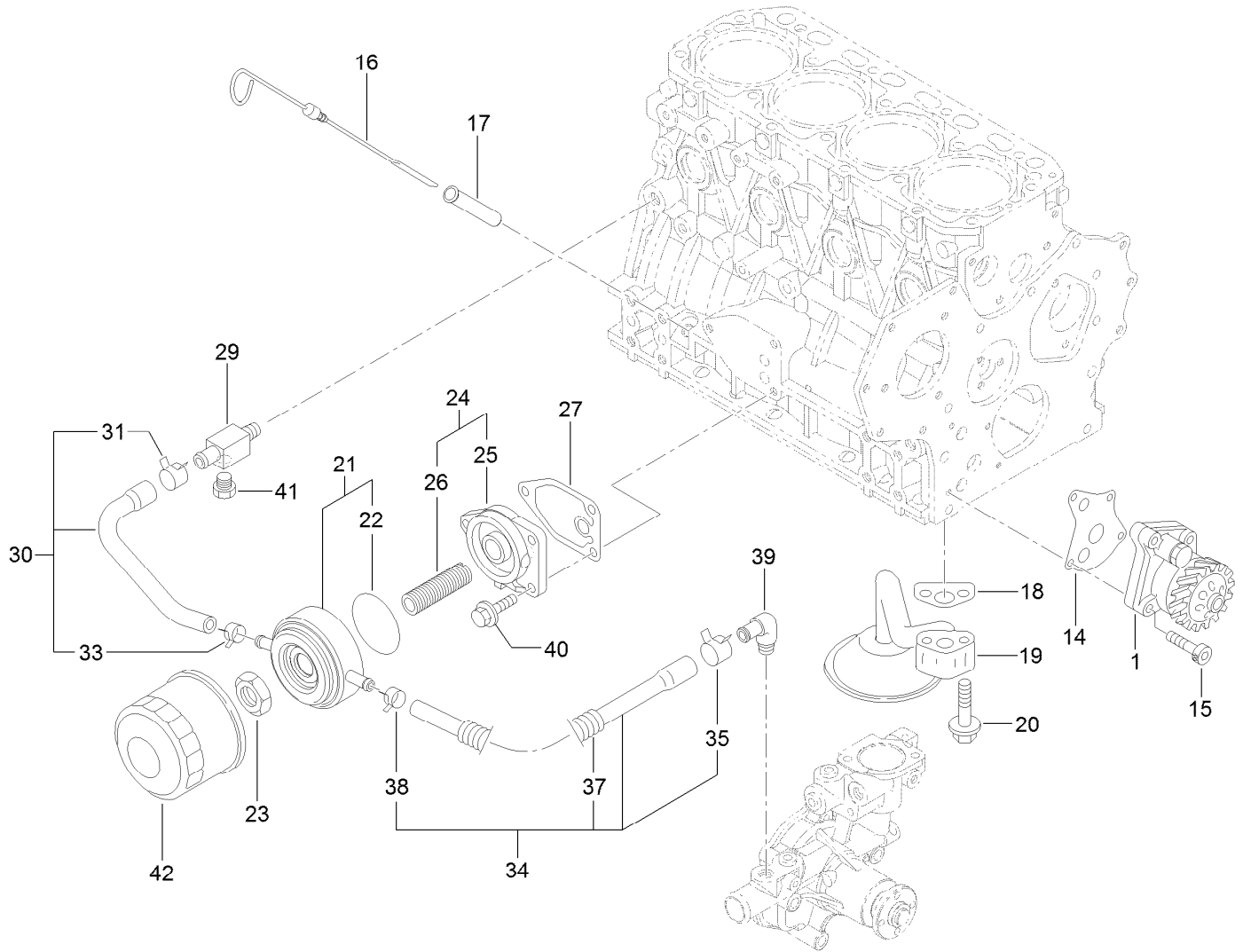
Turbine Assembly

| <i>Ref.</i> | <i>Part Number</i> | <i>Qty.</i> | <i>Description</i> |
|-------------|--------------------|-------------|--------------------|
| 1 | 125-7069 | 1 | Turbine |
| 2 | 125-7070 | 1 | Gasket |
| 3 | 125-7043 | 5 | Stud |
| 4 | 125-7229 | 4 | Nut |



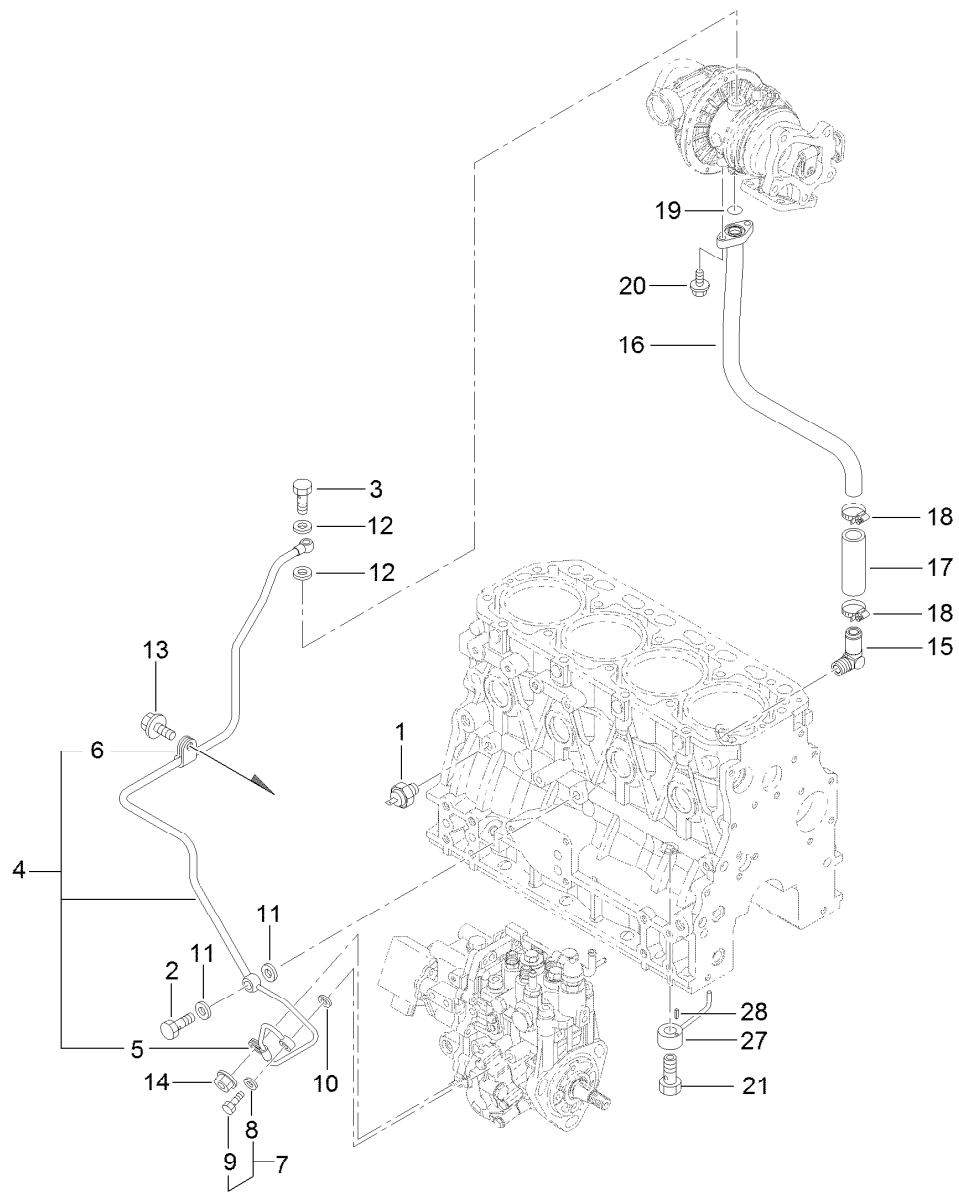
Crankshaft and Piston Assembly

| <i>Ref.</i> | <i>Part Number</i> | <i>Qty.</i> | <i>Description</i> | <i>Ref.</i> | <i>Part Number</i> | <i>Qty.</i> | <i>Description</i> |
|-------------|--------------------|-------------|--------------------|-------------|--------------------|-------------|-----------------------|
| 1 | 125-7091 | 1 | Crankshaft ASM | 15 | 125-7072 | 4 | Piston ASM |
| 2 | 125-6995 | 1 | Pin | 17 | 125-6983 | 4 | Piston Ring Set |
| 4 | 125-6937 | 1 | Gear | 21 | 125-7030 | 4 | Pin |
| 5 | 125-7185 | 1 | Key | 22 | 125-7180 | 8 | Ring |
| 7 | 125-7182 | 1 | Pin-Spring | 23 | 125-7242 | 4 | Connecting Rod ASM |
| 8 | 125-6925 | 1 | V-Pulley | 26 | 125-6955 | 8 | Bolt |
| 9 | 125-7109 | 1 | Washer | 27 | 125-7018 | 4 | Pin-Crank |
| 10 | 125-6956 | 1 | Bolt | 29 | 125-6997 | 4 | Pin-Piston |
| 11 | 125-6951 | 6 | Bolt | 30 | 125-7019 | 4 | Pin-Crank (.25) |
| 12 | 125-7172 | 1 | Flywheel ASM | 32 | 125-7073 | 4 | Piston ASM (0.25 Os) |
| 14 | 125-6943 | 1 | Gear | 34 | 125-6985 | 4 | Piston Ring Set (.25) |



Lubrication and Oil System Assembly

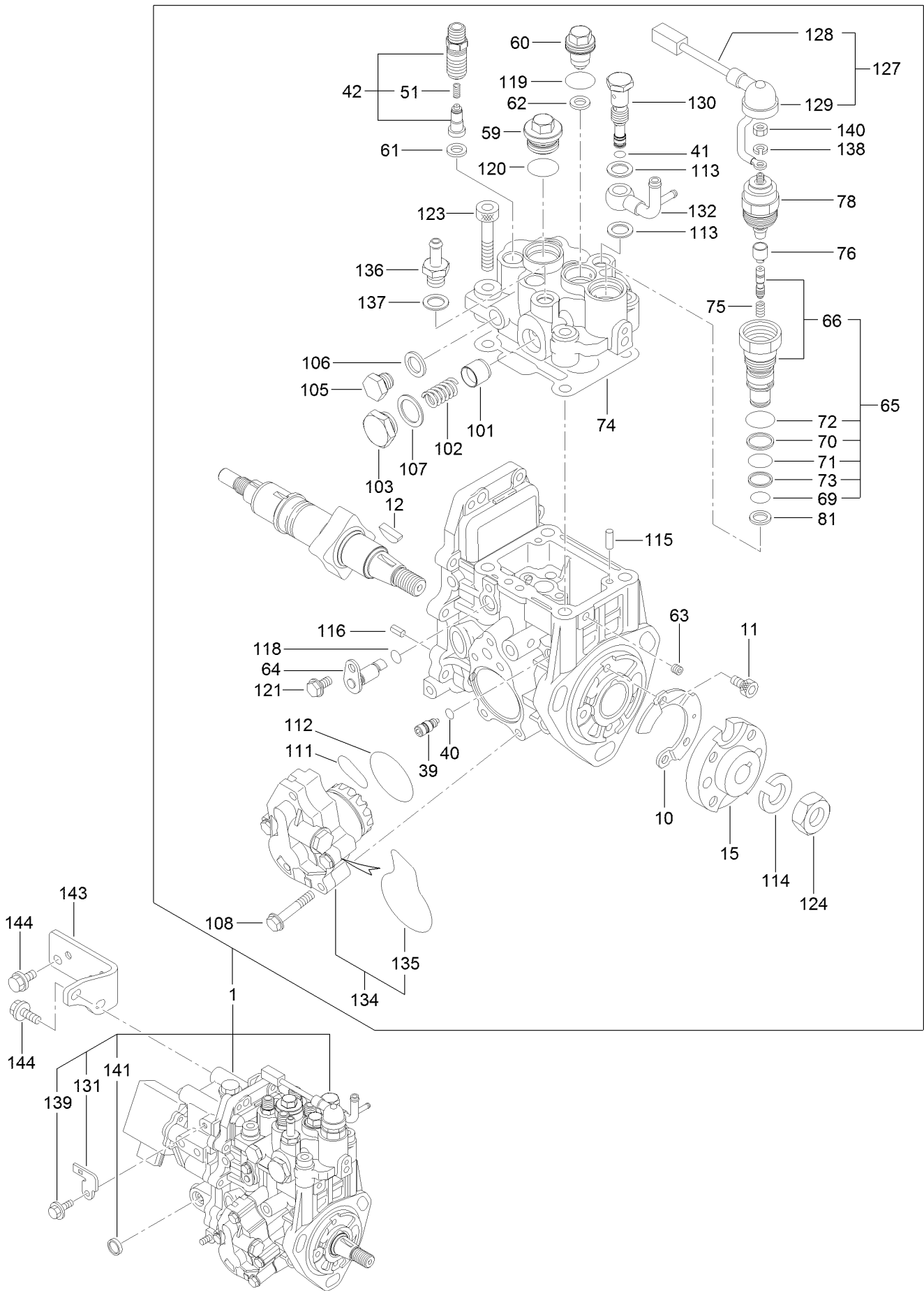
| <i>Ref.</i> | <i>Part Number</i> | <i>Qty.</i> | <i>Description</i> | <i>Ref.</i> | <i>Part Number</i> | <i>Qty.</i> | <i>Description</i> |
|-------------|--------------------|-------------|--------------------|-------------|--------------------|-------------|--------------------|
| 1 | 125-7044 | 1 | Oil Pump ASM | 27 | 125-7024 | 1 | Gasket |
| 14 | 125-7021 | 1 | Gasket | 29 | 125-6990 | 1 | Joint |
| 15 | 125-7232 | 4 | Bolt | 30 | 125-7078 | 1 | Pipe ASM |
| 16 | 125-6987 | 1 | Dipstick | 31 | 125-7162 | 1 | Clip |
| 17 | 125-6954 | 1 | Guide-Dipstick | 33 | 125-7191 | 1 | Clamp-Hose |
| 18 | 125-7022 | 1 | Gasket | 34 | 125-7079 | 1 | Pipe ASM |
| 19 | 125-7023 | 1 | Pipe ASM | 35 | 125-7162 | 1 | Clip |
| 20 | 125-7217 | 2 | Bolt | 37 | 125-6946 | 1 | Tube |
| 21 | 125-7074 | 1 | Cooler ASM | 38 | 125-7191 | 1 | Clamp-Hose |
| 22 | 125-7075 | 1 | O-Ring | 39 | 125-7001 | 1 | Elbow |
| 23 | 125-7041 | 1 | Nut-Cooler, Oil | 40 | 125-7595 | 3 | Bolt |
| 24 | 125-6989 | 1 | Bracket ASM | 41 | 125-7171 | 1 | Plug-Drain |
| 25 | 125-6930 | 1 | Bracket | 42 | 125-7025 | 1 | Filter-Engine |
| 26 | 125-7042 | 1 | Stud | | | | |



Lubrication Oil Line Assembly

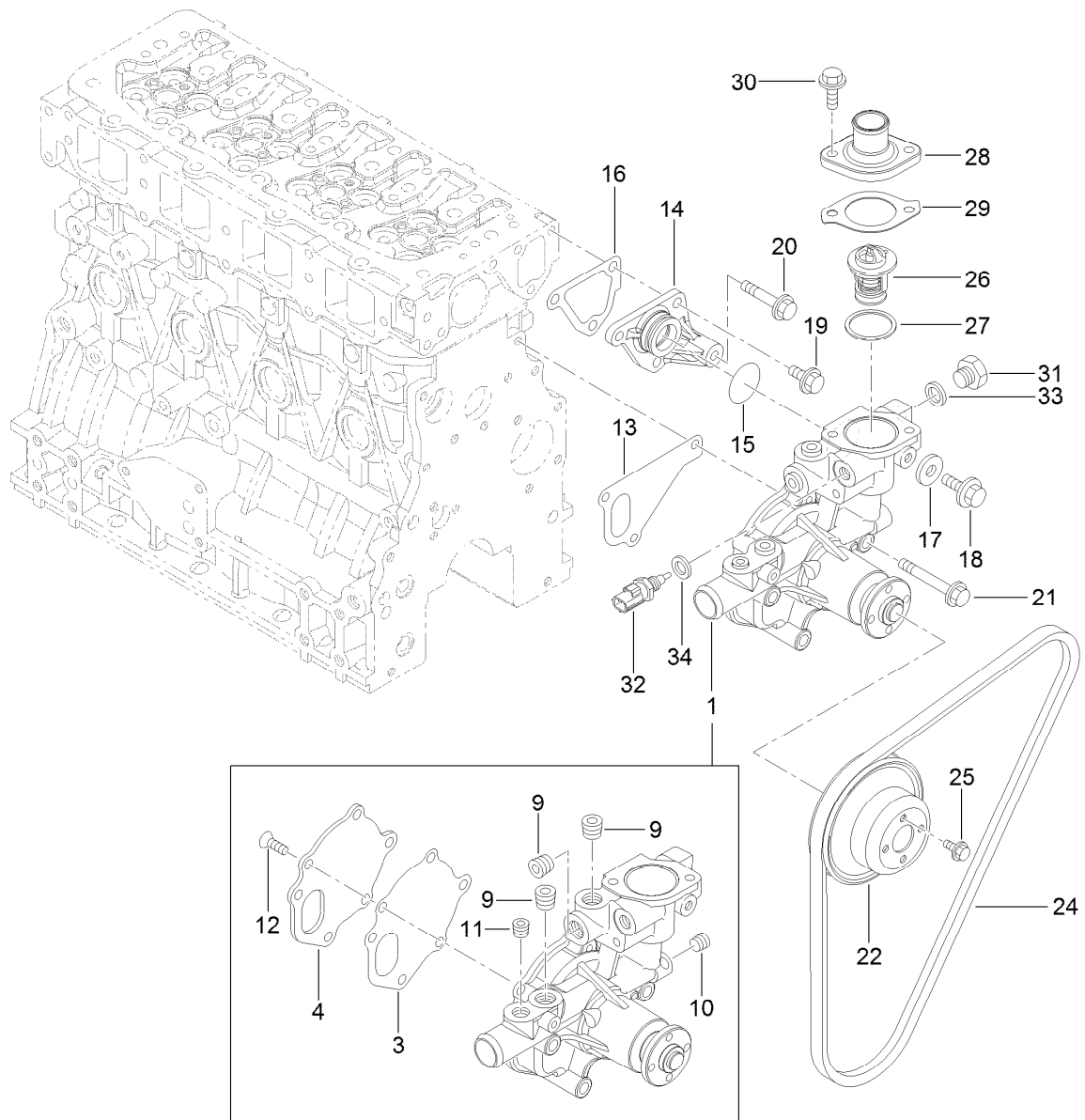
| <i>Ref.</i> | <i>Part Number</i> | <i>Qty.</i> | <i>Description</i> | <i>Ref.</i> | <i>Part Number</i> | <i>Qty.</i> | <i>Description</i> |
|-------------|--------------------|-------------|--------------------|-------------|--------------------|-------------|--------------------|
| 1 | 125-6918 | 1 | Switch-Oil | 13 | 125-7212 | 1 | Bolt |
| 2 | 125-6975 | 1 | Bolt-Joint, Pipe | 14 | 125-7231 | 1 | Nut |
| 3 | 125-6952 | 1 | Bolt-Joint, Pipe | 15 | 125-6971 | 1 | Elbow |
| 4 | 125-7076 | 1 | Pipe ASM | 16 | 125-7077 | 1 | Pipe |
| 5 | 125-6931 | 1 | Retainer | 17 | 125-6958 | 1 | Hose |
| 6 | 125-6976 | 1 | Retainer | 18 | 125-7188 | 2 | Clamp-Hose |
| 7 | 125-6988 | 1 | Joint Bolt ASM | 19 | 125-7198 | 1 | O-Ring |
| 8 | 125-7174 | 1 | Washer-Seal | 20 | 125-7208 | 2 | Bolt |
| 9 | 125-7194 | 1 | Bolt-Joint | 21 | 125-7105 | 4 | Check Valve ASM |
| 10 | 125-7174 | 1 | Washer-Seal | 27 | 125-7098 | 4 | Nozzle |
| 11 | 125-7175 | 2 | Washer-Seal | 28 | 125-7182 | 4 | Pin-Spring |
| 12 | 125-7193 | 2 | Gasket | | | | |

Fuel Injection Pump Assembly



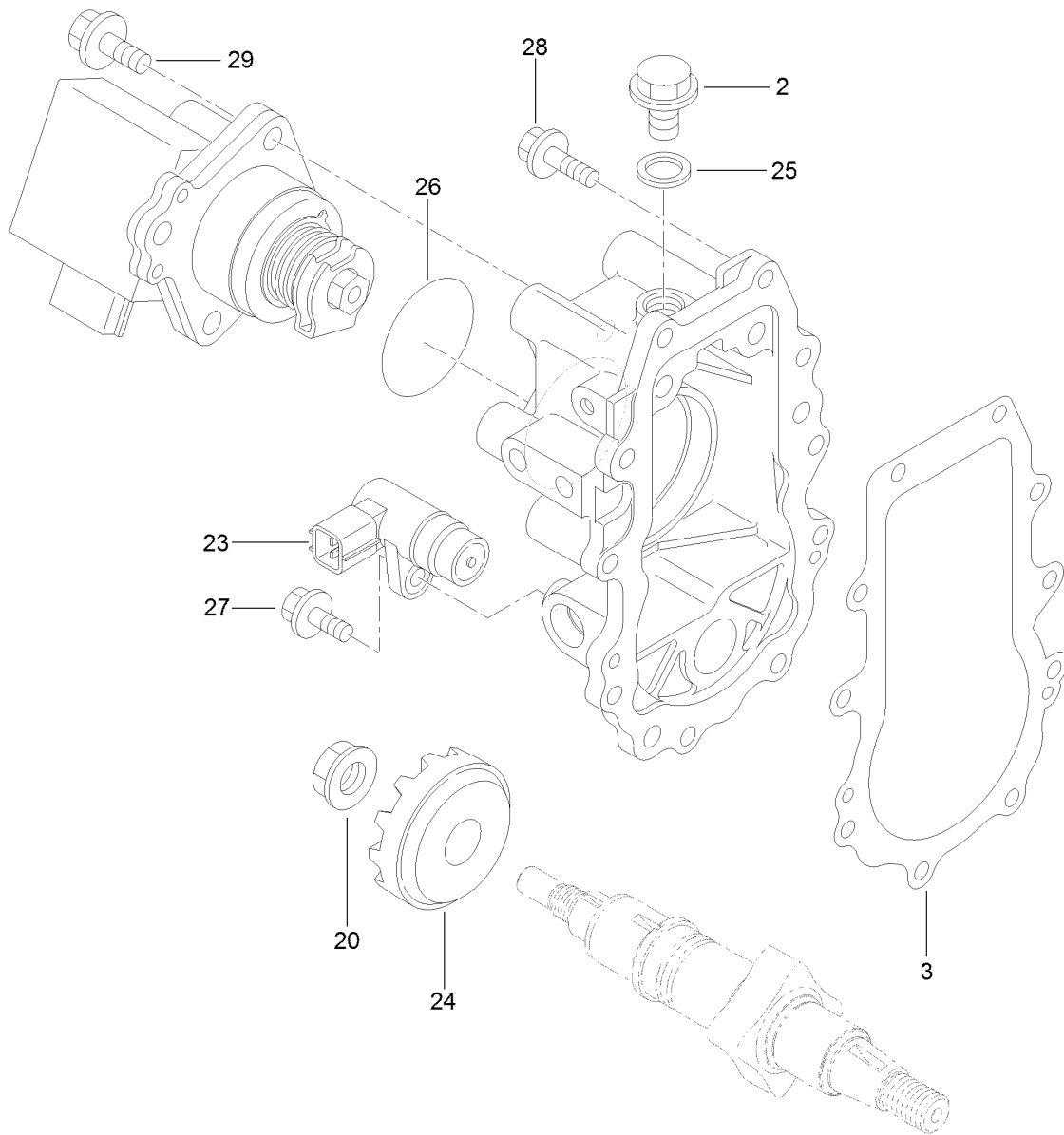
Fuel Injection Pump Assembly (continued)

| <i>Ref.</i> | <i>Part Number</i> | <i>Qty.</i> | <i>Description</i> | <i>Ref.</i> | <i>Part Number</i> | <i>Qty.</i> | <i>Description</i> |
|-------------|--------------------|-------------|--------------------|-------------|--------------------|-------------|--------------------|
| 1 | 125-7246 | 1 | Fie ASM | 106 | 125-7176 | 1 | Washer-Seal |
| 10 | 125-6991 | 1 | Cover | 107 | 125-7591 | 1 | Washer-Seal |
| 11 | 125-6992 | 2 | Bolt | 108 | 125-7147 | 4 | Bolt |
| 12 | 125-6932 | 1 | Key | 111 | 125-7142 | 1 | O-Ring |
| 15 | 125-7135 | 1 | Flange | 112 | 125-7143 | 1 | O-Ring |
| 39 | 125-7156 | 1 | Stopper | 113 | 125-7176 | 2 | Washer-Seal |
| 40 | 125-7154 | 1 | O-Ring | 114 | 125-7179 | 1 | Washer-Spring |
| 41 | 125-7154 | 1 | O-Ring | 115 | 125-7181 | 2 | Pin-Parallel |
| 42 | 125-7092 | 4 | Valve ASM | 116 | 125-7183 | 2 | Pin-Spring |
| 51 | 125-7155 | 4 | Spring | 118 | 93-0400 | 1 | O-Ring |
| 59 | 125-7157 | 1 | Plug | 119 | 125-7201 | 1 | O-Ring |
| 60 | 125-6933 | 1 | Plug | 120 | 125-7202 | 1 | O-Ring |
| 61 | 125-7136 | 4 | Gasket | 121 | 125-7205 | 1 | Bolt |
| 62 | 125-7136 | 1 | Gasket | 123 | 125-7233 | 4 | Bolt |
| 63 | 125-7151 | 1 | Plug | 124 | 125-7236 | 1 | Nut |
| 64 | 125-7137 | 1 | Lifter | 127 | 125-7125 | 1 | Harness ASM |
| 65 | 125-7102 | 1 | Timer Set | 128 | 125-7126 | 1 | Harness |
| 66 | 125-7103 | 1 | Timer ASM | 129 | 125-7033 | 1 | Cap |
| 69 | 125-7145 | 1 | O-Ring | 130 | 125-7158 | 1 | Joint |
| 70 | 125-6934 | 1 | Ring | 131 | 125-7127 | 1 | Bracket |
| 71 | 125-6935 | 1 | O-Ring | 132 | 125-7139 | 1 | Joint |
| 72 | 125-7202 | 1 | O-Ring | 134 | 125-7141 | 1 | Feed Pump ASM |
| 73 | 125-7203 | 1 | Ring-Back Up | 135 | 125-7144 | 1 | O-Ring |
| 74 | 125-7138 | 1 | Gasket | 136 | 125-6945 | 1 | Joint |
| 75 | 125-6940 | 1 | Spring | 137 | 125-7176 | 1 | Washer-Seal |
| 76 | 125-6941 | 1 | Cap | 138 | 125-7178 | 1 | Washer-Spring |
| 78 | 125-6942 | 1 | Solenoid Valve ASM | 139 | 125-7207 | 1 | Bolt |
| 81 | 125-7146 | 1 | Gasket | 140 | 125-7235 | 1 | Nut |
| 101 | 125-7159 | 1 | Piston | 141 | 125-7238 | 1 | Plug |
| 102 | 125-7140 | 1 | Spring | 143 | 125-7032 | 1 | Retainer |
| 103 | 125-7160 | 1 | Plug | 144 | 125-7214 | 4 | Bolt |
| 105 | 125-7148 | 1 | Plug | | | | |



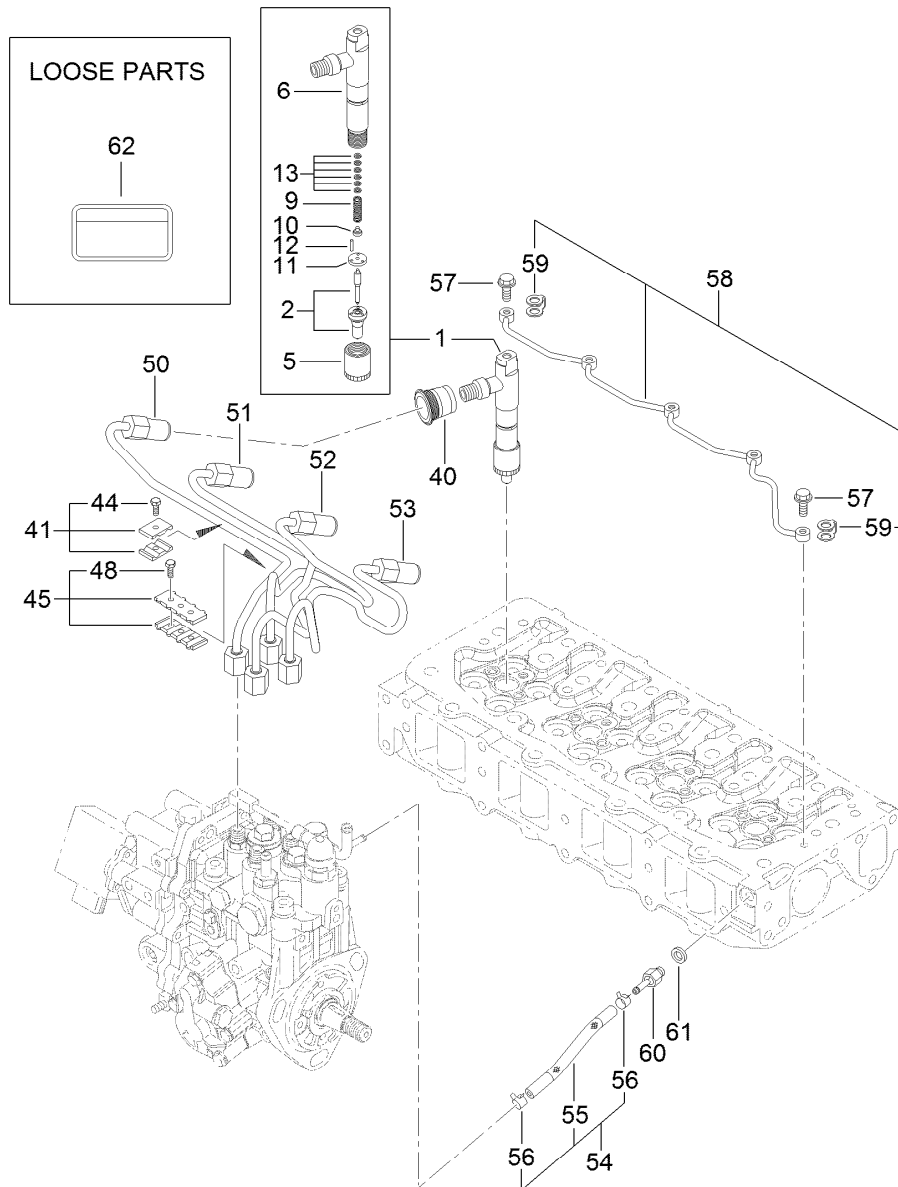
Cooling Water System Assembly

| Ref. | Part Number | Qty. | Description | Ref. | Part Number | Qty. | Description |
|------|-------------|------|-------------|------|-------------|------|-----------------------|
| 1 | 125-7031 | 1 | CW Pump ASM | 20 | 125-7219 | 1 | Bolt |
| 3 | 125-6998 | 1 | Gasket | 21 | 125-7222 | 3 | Bolt |
| 4 | 125-6999 | 1 | Plate | 22 | 125-7039 | 1 | V-Pulley |
| 9 | 125-7123 | 3 | Plug | 24 | 125-7204 | 1 | V-Belt |
| 10 | 125-7195 | 1 | Plug | 25 | 125-7206 | 4 | Bolt |
| 11 | 125-7196 | 1 | Plug | 26 | 125-7029 | 1 | Thermostat |
| 12 | 125-7234 | 3 | Screw | 27 | 125-7026 | 1 | Gasket |
| 13 | 125-7047 | 1 | Gasket | 28 | 125-7034 | 1 | Cover |
| 14 | 125-6986 | 1 | Joint | 29 | 125-7110 | 1 | Gasket |
| 15 | 125-7048 | 1 | O-Ring | 30 | 125-7594 | 2 | Bolt |
| 16 | 125-6978 | 1 | Gasket | 31 | 125-6953 | 1 | Plug |
| 17 | 125-7192 | 1 | Gasket | 32 | 125-7124 | 1 | Sensor-Thermostat, CW |
| 18 | 125-7212 | 1 | Bolt | 33 | 125-6979 | 1 | Gasket |
| 19 | 125-7214 | 3 | Bolt | 34 | 125-7176 | 1 | Washer-Seal |



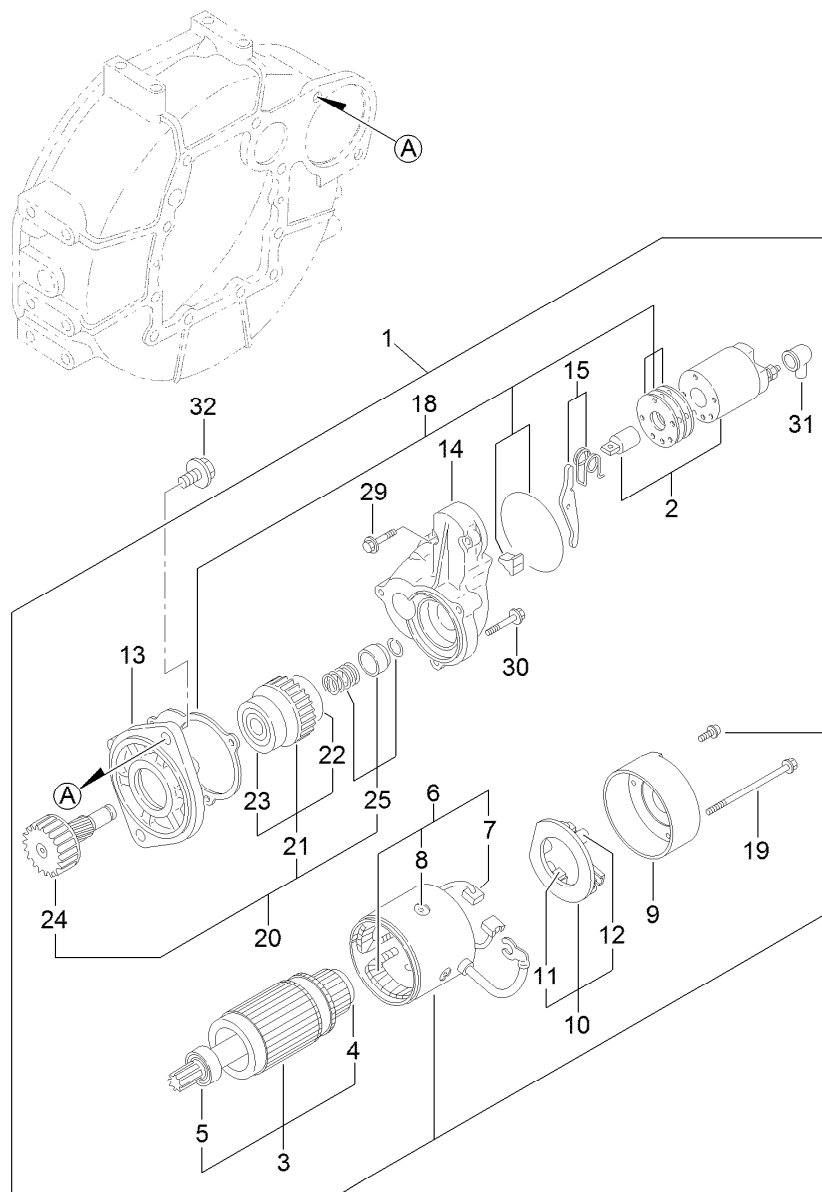
Governor Assembly

| Ref. | Part Number | Qty. | Description |
|------|-------------|------|-------------|
| 2 | 125-7148 | 1 | Plug |
| 3 | 125-7149 | 1 | Gasket |
| 20 | 125-6993 | 1 | Nut |
| 23 | 125-7152 | 1 | Sensor |
| 24 | 125-7150 | 1 | Gear |
| 25 | 125-7176 | 1 | Washer-Seal |
| 26 | 125-7200 | 1 | O-Ring |
| 27 | 125-7208 | 1 | Bolt |
| 28 | 125-7209 | 10 | Bolt |
| 29 | 125-7215 | 3 | Bolt |



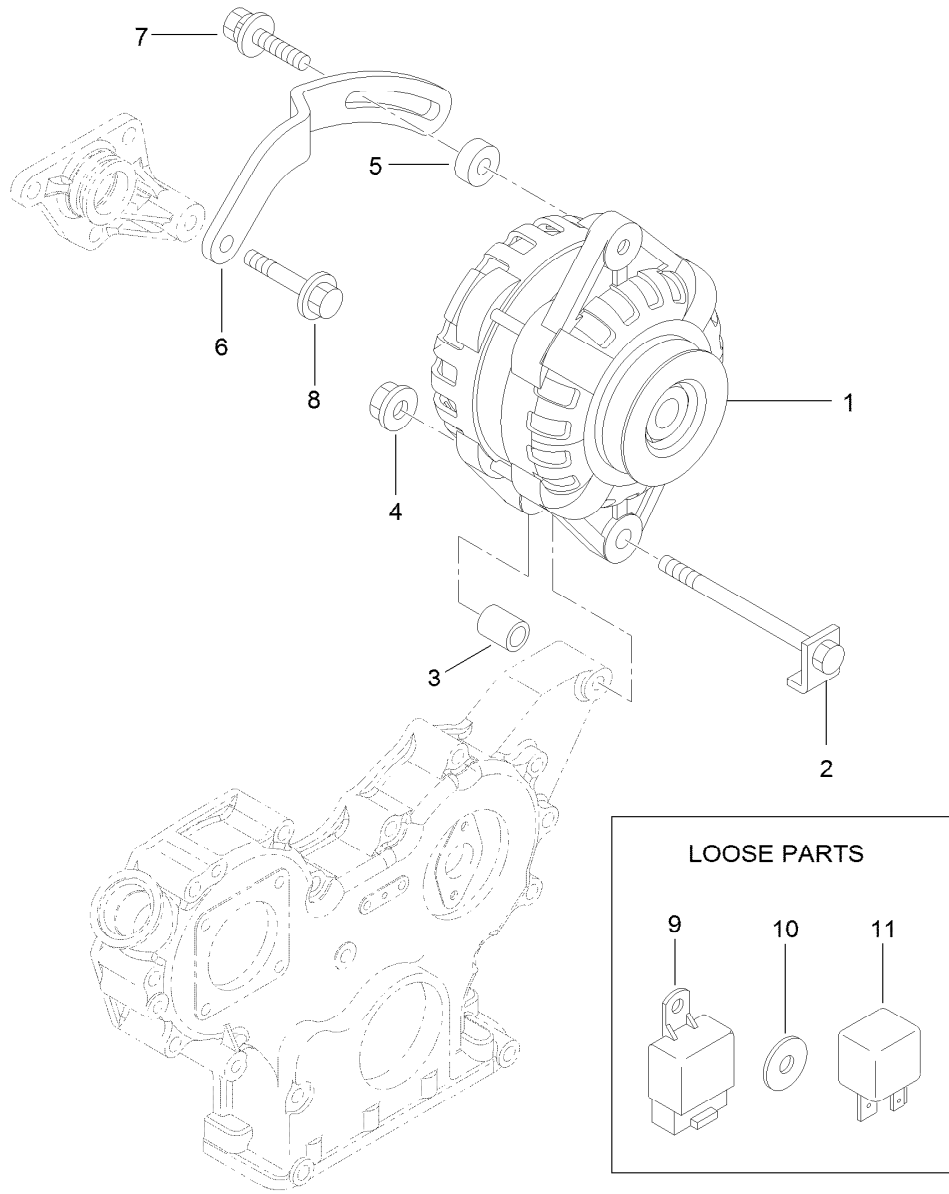
Fuel Injection Valve Assembly

| <i>Ref.</i> | <i>Part Number</i> | <i>Qty.</i> | <i>Description</i> | <i>Ref.</i> | <i>Part Number</i> | <i>Qty.</i> | <i>Description</i> |
|-------------|--------------------|-------------|---------------------|-------------|--------------------|-------------|-------------------------|
| 1 | 125-7245 | 4 | Injection Valve ASM | 50 | 125-7082 | 1 | Injection Pipe ASM |
| 2 | 125-7133 | 4 | Nozzle ASM | 51 | 125-7083 | 1 | Injection Pipe ASM |
| 5 | 125-6901 | 4 | Nut | 52 | 125-7084 | 1 | Injection Pipe ASM |
| 6 | 125-7080 | 4 | Holder ASM | 53 | 125-7085 | 1 | Injection Pipe ASM |
| 9 | 125-6902 | 4 | Spring | 54 | 125-6948 | 1 | Pipe ASM |
| 10 | 125-6903 | 4 | Seat-Spring | 55 | 125-6949 | 1 | Pipe |
| 11 | 125-6904 | 4 | Plate | 56 | 125-6970 | 2 | Clip |
| 12 | 125-6905 | 8 | Pin | 57 | 125-6966 | 5 | Bolt-Joint, Pipe |
| 13 | 125-6939 | 4 | Shim Set | 58 | 125-7081 | 1 | Pipe ASM |
| 40 | 125-6964 | 4 | Seal | 59 | 125-6967 | 5 | Gasket |
| 41 | 125-6907 | 2 | Retainer | 60 | 125-6968 | 1 | Joint |
| 44 | 125-7027 | 2 | Bolt | 61 | 125-7174 | 1 | Washer-Seal |
| 45 | 125-7097 | 1 | Retainer | 62 | 125-6900 | 1 | Label-Caution, Fuel Oil |
| 48 | 125-7027 | 2 | Bolt | | | | |



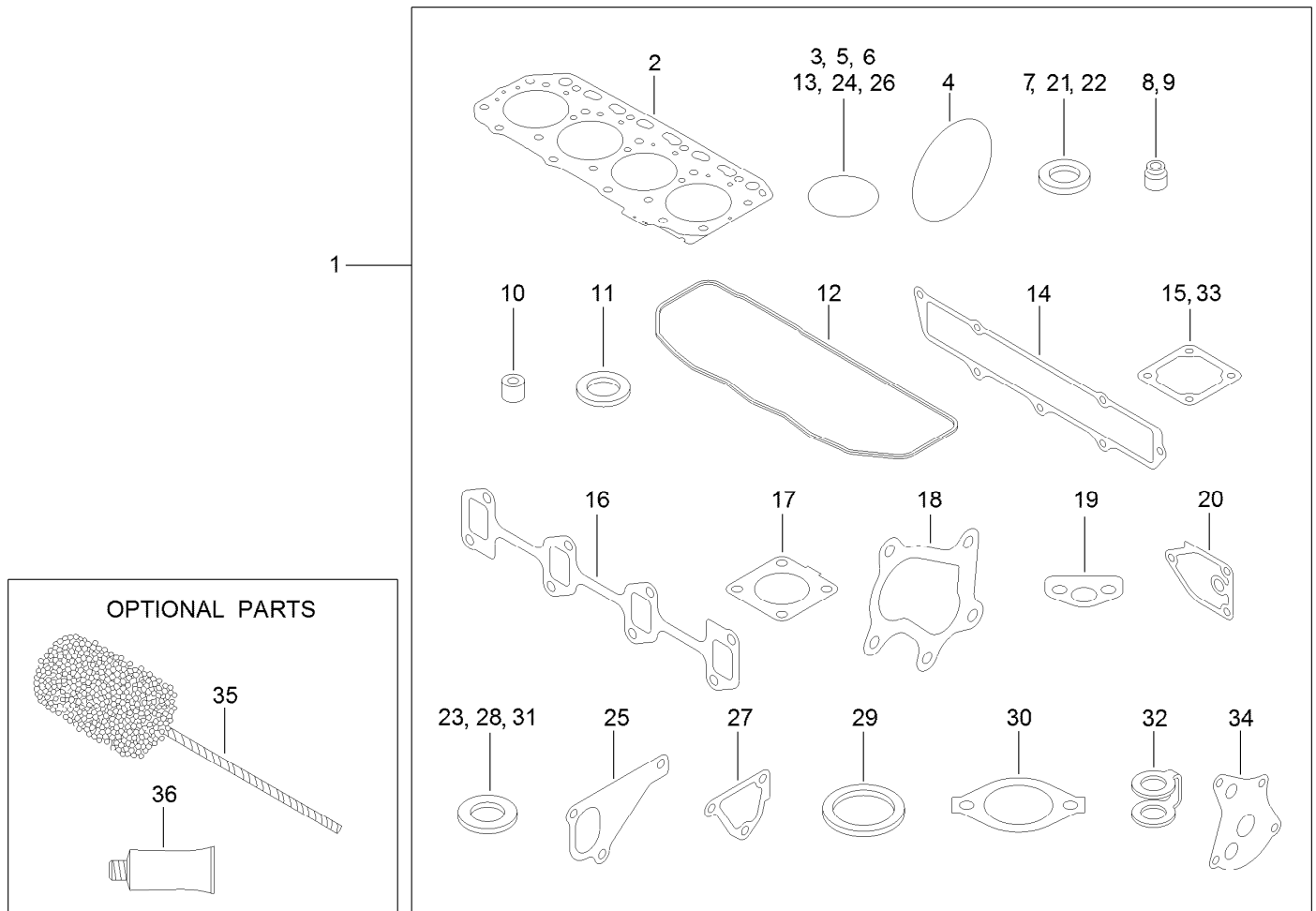
Starting Motor Assembly

| <i>Ref.</i> | <i>Part Number</i> | <i>Qty.</i> | <i>Description</i> | <i>Ref.</i> | <i>Part Number</i> | <i>Qty.</i> | <i>Description</i> |
|-------------|--------------------|-------------|--------------------|-------------|--------------------|-------------|--------------------|
| 1 | 125-7003 | 1 | Starter | 15 | 125-7165 | 1 | Lever Set |
| 2 | 125-7004 | 1 | Switch ASM | 18 | 125-7037 | 1 | Dust Cover ASM |
| 3 | 125-7112 | 1 | Armature ASM | 19 | 125-7117 | 2 | Bolt-Through |
| 4 | 125-7252 | 1 | Bearing-Ball | 20 | 125-7166 | 1 | Pinion ASM |
| 5 | 125-7249 | 1 | Bearing, Ball | 21 | 125-7250 | 1 | Clutch ASM |
| 6 | 125-7113 | 1 | Field Coil ASM | 22 | 125-7251 | 1 | Bearing-Ball |
| 7 | 125-7114 | 2 | Brush | 23 | 125-7253 | 1 | Bearing-Ball |
| 8 | 125-7163 | 4 | Screw | 24 | 125-7167 | 1 | Shaft |
| 9 | 125-7115 | 1 | Cover | 25 | 125-7168 | 1 | Stopper Set |
| 10 | 125-7116 | 1 | Brush Holder ASM | 29 | 125-7210 | 2 | Bolt |
| 11 | 125-7114 | 2 | Brush | 30 | 125-7211 | 3 | Bolt |
| 12 | 125-7036 | 4 | Spring | 31 | 125-7169 | 1 | Cover |
| 13 | 125-7164 | 1 | Case-Gear | 32 | 125-7225 | 2 | Bolt |
| 14 | 125-7005 | 1 | Housing | | | | |



Generator Assembly

| Ref. | Part Number | Qty. | Description |
|-------------|--------------------|-------------|--------------------|
| 1 | 125-7120 | 1 | Alternator-12V |
| 2 | 125-7121 | 1 | Bolt-Stopper |
| 3 | 125-7122 | 1 | Piece-Distance |
| 4 | 125-7230 | 1 | Nut |
| 5 | 125-6947 | 1 | Spacer |
| 6 | 125-7101 | 1 | Adjuster-Belt |
| 7 | 125-7134 | 1 | Bolt |
| 8 | 125-7219 | 1 | Bolt |
| 9 | 125-7173 | 2 | Relay |
| 10 | 125-7131 | 3 | Washer |
| 11 | 125-7132 | 2 | Relay |



Gasket Set

| Ref. | Part Number | Qty. | Description | Ref. | Part Number | Qty. | Description |
|------|-------------|------|------------------|------|-------------|------|---------------|
| 1 | 125-7243 | 1 | Gasket Set | 19 | 125-7022 | 1 | Gasket |
| 2 | 125-7049 | 1 | Gasket-Head | 20 | 125-7024 | 1 | Gasket |
| 3 | 125-6909 | 2 | O-Ring | 21 | 125-7174 | 7 | Washer-Seal |
| 4 | 125-6957 | 1 | O-Ring | 22 | 125-7175 | 2 | Washer-Seal |
| 5 | 125-7197 | 2 | O-Ring | 23 | 125-7193 | 2 | Gasket |
| 6 | 125-7199 | 1 | O-Ring | 24 | 125-7198 | 1 | O-Ring |
| 7 | 125-7177 | 1 | Washer-Seal | 25 | 125-7047 | 1 | Gasket |
| 8 | 125-6915 | 8 | Seal-Stem, Valve | 26 | 125-7048 | 1 | O-Ring |
| 9 | 125-6916 | 8 | Seal-Stem, Valve | 27 | 125-6978 | 1 | Gasket |
| 10 | 125-6921 | 4 | Protector | 28 | 125-7192 | 1 | Gasket |
| 11 | 125-6911 | 4 | Seat-Valve | 29 | 125-7026 | 1 | Gasket |
| 12 | 125-7060 | 1 | Gasket | 30 | 125-7110 | 1 | Gasket |
| 13 | 93-0418 | 7 | O-Ring | 31 | 125-6979 | 2 | Gasket |
| 14 | 125-7066 | 1 | Gasket | 32 | 125-6967 | 5 | Gasket |
| 15 | 125-7028 | 1 | Gasket | 33 | 125-7000 | 1 | Gasket |
| 16 | 125-7096 | 1 | Gasket | 34 | 125-7021 | 1 | Gasket |
| 17 | 125-7070 | 1 | Gasket | 35 | 125-7038 | 1 | Hone |
| 18 | 125-7071 | 1 | Gasket | 36 | 125-7248 | 1 | Gasket-Liquid |

Attachments and Accessories

For 30604 Groundsmaster 4100 Rotary Mower

| Product Name | Model/Part |
|--|-------------------|
| Bumper ASM | 106-4278-03 |
| Blade-Combination (19in)..... | 106-7166-03 |
| Blade-Atomic (21.75in)..... | 107-0214-03 |
| Blade-Atomic (19in)..... | 107-0215-03 |
| Premium All Season Hydraulic Fluid (55 Gallon Drum)..... | 108-1177 |
| Premium All Season Hydraulic Fluid (5 Gallon Pail)..... | 108-1178 |
| Atomic Blade Service Pack (7 Pack)..... | 108-1450 |
| Atomic Blade Service Pack..... | 108-1451 |
| Blade-Flat Sail (21.75in)..... | 110-6115-03 |
| Blade-Flat Sail (19in)..... | 110-6116-03 |
| Flat Blade Service Pack (7 Pack)..... | 110-6130 |
| Flat Blade Service Pack (19in)..... | 110-6140 |
| Work Light Kit | 114-5610 |
| MVP Blade Kit..... | 117-2722 |
| Vinyl Backrest Extension Kit | 119-7718 |
| Backrest Extension Kit..... | 119-7719 |
| Large Seat Cover..... | 120-5179 |
| Premium Engine Oil 10w30 (55 Gal)..... | 121-6392 |
| Premium Engine Oil 10w30 (5 Gallon Pail) | 121-6393 |
| Premium Engine Oil 15w40 (55 Gallon Drum) | 121-6394 |
| Premium Engine Oil 15w40 (5 Gallon Pail) | 121-6395 |
| MVP Blade Kit..... | 130-2660 |
| MVP Filter Kit..... | 30089 |
| Universal Sunshade | 30349 |
| Flow Divider Kit..... | 30407 |
| 400 Hour MVP Kit | 30408 |
| North American Light Kit..... | 30414 |
| Leaf Mulcher Kit..... | 30419 |
| Guardian Recycler Conversion Kit..... | 30420 |
| Leaf Mulcher Kit..... | 30422 |
| Replacement Cutting Unit..... | 30451 |
| CE Kit | 30453 |
| Right-Hand Replacement Mower..... | 30476 |
| Left-Hand Replacement Mower | 30477 |
| Front Deck | 30479 |
| CE Light Kit..... | 30660 |
| Beacon Kit | 30661 |
| License Plate Kit..... | 30664 |
| Slow-Moving Vehicle Sign Kit | 30665 |
| Blade (21.75in) | 92-5608-03 |
| 8in Foam Filled Wheel ASM | 93-5974 |

Notes:

Notes:

Notes:



Count on it.