



**Count on it.**

**Parts Catalog**

**TimeCutter® SWX 5050 Riding  
Mower**

Model No. 74797—Serial No. 315000001 and Up



# Ordering Replacement Parts

To order replacement parts, please supply the part number, the quantity, and the description of each part desired.

## Understanding Reference Numbers

Each identified part in an illustration has a reference number. The reference number for a part also appears in the parts list, along with other information about the part.

This catalog uses two special reference number formats, one to indicate parts in a service assembly and another to indicate the quantity of a given part in an illustration.

## Service Assembly Reference Numbers

Parts in service assemblies have reference numbers in the form a:b. The a represents the reference number of the entire service assembly and the b represents a sequential number unique to each part within the service assembly.

For example, a wheel assembly might be identified by reference number 6, the tire by 6:1, the valve by 6:2, and the wheel by 6:3. When you order the assembly identified by reference number 6, you receive all parts identified by reference numbers 6:1, 6:2, and 6:3. However, you may also order any part individually. Reference numbers of this type appear in illustration and in parts lists.

## Reference Numbers Indicating Quantity

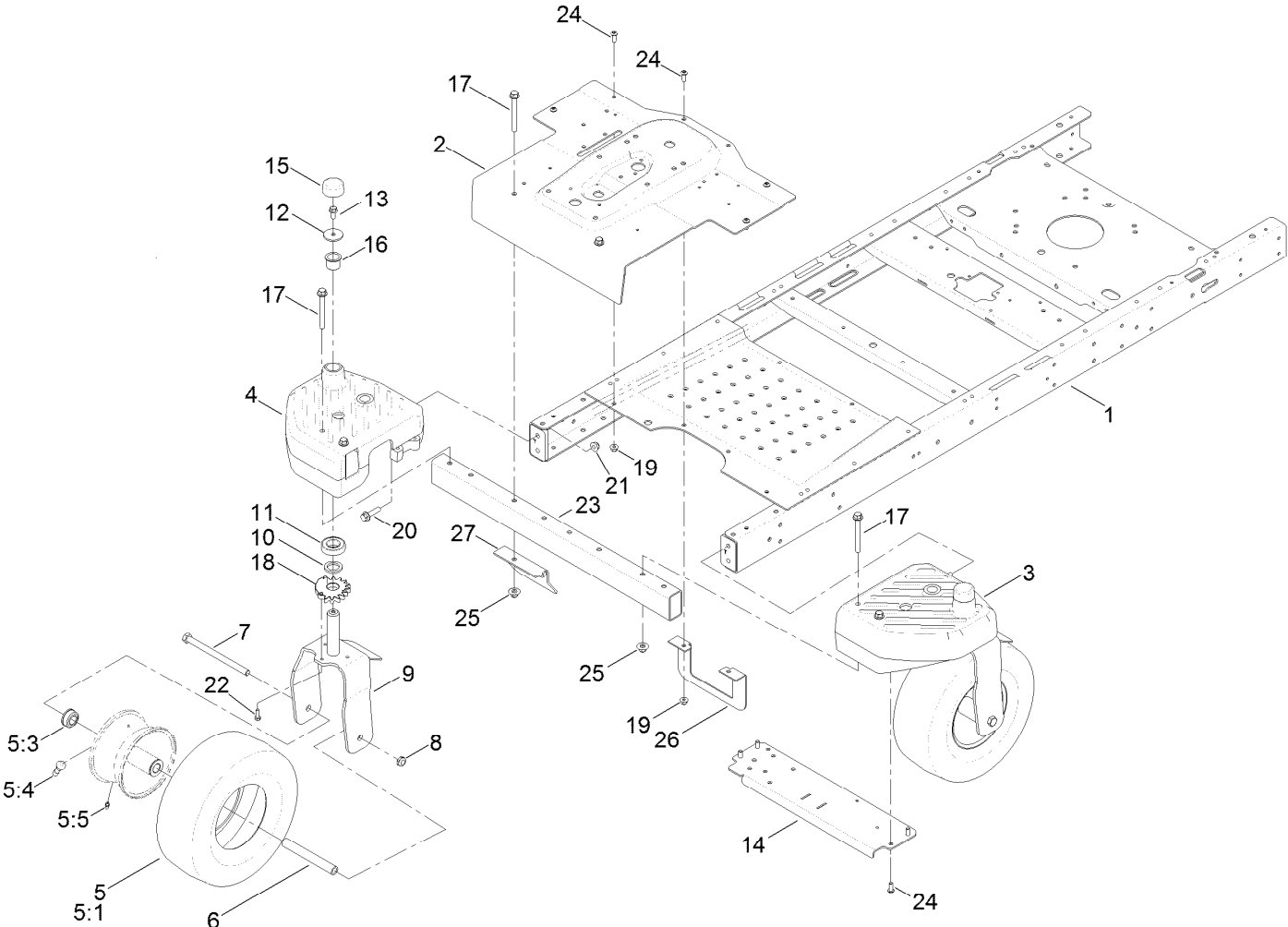
In an illustration, if a reference number indicates more than one part, the reference number has the form nX y. The n represents the quantity of the part, the X is the multiplication symbol, and the y represents the reference number.

For example, in an illustration, the reference number 2X 37 means that two of the parts identified by reference number 37 are indicated.

# Contents

Frame, Front Axle and Caster Wheel Assembly .....	4
Deck Lift Assembly.....	6
Motion Control Assembly .....	8
Brake Assembly .....	10
Seat Assembly .....	12
Seat Assembly No. 131-4147 .....	14
Belt and Idler Assembly.....	16
Steering Column Assembly .....	18
Steering Cable Assembly .....	20
Gear Assembly .....	22
Steering Assembly.....	24
Hydro Transaxle Drive and Rear Wheel Assembly .....	26
LH Transaxle Assembly No. 130-6960.....	28
RH Transaxle Assembly No. 130-6961 .....	30
4 Ply Wheel and Tire Assembly No. 109-5268 .....	32
2 Ply Wheel and Tire Assembly No. 131-3673 .....	34
Clutch Assembly.....	36
Battery and Electrical Assembly.....	38
Wire Harness Assembly .....	40
Speed Control Assembly.....	42
Fuel Delivery Assembly.....	44
Engine and Muffler Assembly.....	46
Fuel System Assembly Engine Assembly No. 127-9041 .....	48
Carburetor Assembly No. 127-9249 Engine Assembly No. 127-9041 .....	50
Air Intake and Filtration Assembly Engine Assembly No. 127-9041.....	52
Ignition and Electrical Engine Assembly No. 127-9041 .....	54
Crankcase and Crankshaft Assembly Engine Assembly No. 127-9041 .....	56
Governor Control Assembly Engine Assembly No. 127-9041.....	58
Piston and Cylinder Head Assembly Engine Assembly No. 127-9041.....	60
Blower Housing Assembly Engine Assembly No. 127-9041 .....	62
Gasket and Seal Kit Engine Assembly No. 127-9041.....	64
Body Styling and Fuel Tank Assembly .....	66
50 Inch Deck Assembly.....	68
50 Inch Deck and Decal Assembly No. 131-3612.....	70
50 Inch Deck Belt, Spindle and Blade Assembly .....	72
Attachments and Accessories .....	74

# Frame, Front Axle and Caster Wheel Assembly

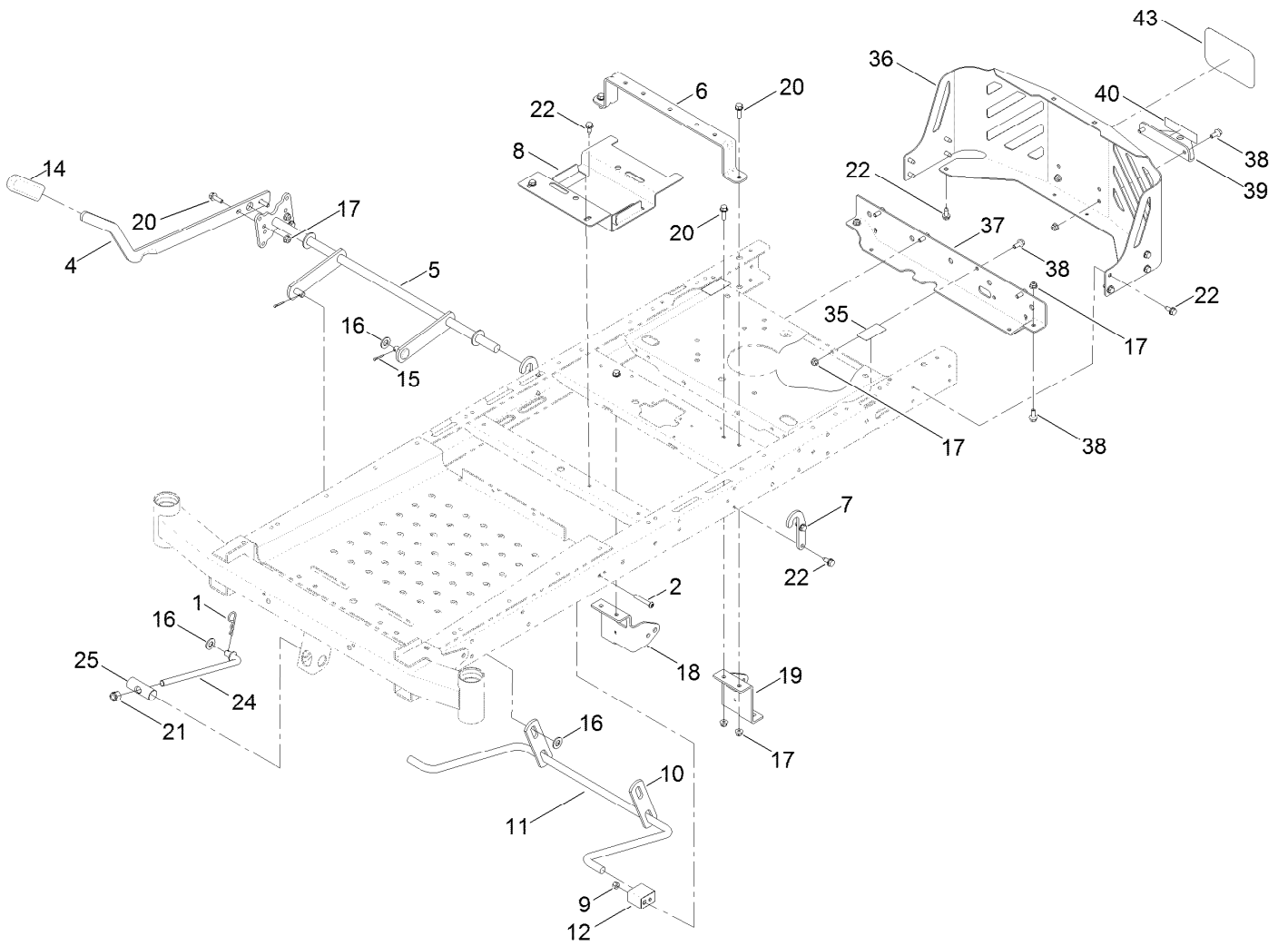


# Frame, Front Axle and Caster Wheel Assembly (continued)

<i>Ref.</i>	<i>Part Number</i>	<i>Qty.</i>	<i>Description</i>	<i>Ref.</i>	<i>Part Number</i>	<i>Qty.</i>	<i>Description</i>
1	130-0805-01	1	Frame ASM (Wide)	12	131-1032	2	Washer-Flat
2	130-6930-05	1	Pan-Steer, Front (Wide)	13	3234-47	2	Screw-HHF
3	130-0748-05	1	Housing-Spindle, LH	14	130-6979-03	1	Plate-Bridge, Wide
4	130-0746-05	1	Housing-Spindle, RH	15	130-7015	2	Cap-Caster
5	119-3473	2	13 Inch Wheel And Tire ASM	16	126-1963	2	Bushing-Pivot
5:1	119-3471	1	Tire-13 Inch	17	115-7660	6	Screw-HHF
5:3	114-1640	2	Bushing-Flange	18	130-0689	2	Gear-Wheel, 15 Tooth
5:4	232-27	1	Stem-Valve	19	104-8300	6	Nut-HF, NI
5:5	302-5	1	Fitting-Grease	20	114-4681	4	Screw-HHF
5:99	232-46	1	Tube-Inner ●	21	104-8301	4	Nut-HF, NI
6	119-3475	2	Spanner	22	321-4	4	Screw-HH
7	325-37	2	Screw-HH	23	130-0829-03	1	Tube-Front, Wide
8	3296-45	2	Nut-Hex	24	131-4080	10	Screw-HSBH
9	130-0670-03	2	Caster Fork ASM	25	109-6658	6	Nut-Flange, NI
10	117-7394	2	Washer-Thrust	26	131-8739-01	1	Bracket-Upstop, Long
11	109-3678	2	Bearing-Ball	27	132-0868-03	1	Guard-Front

● Not illustrated

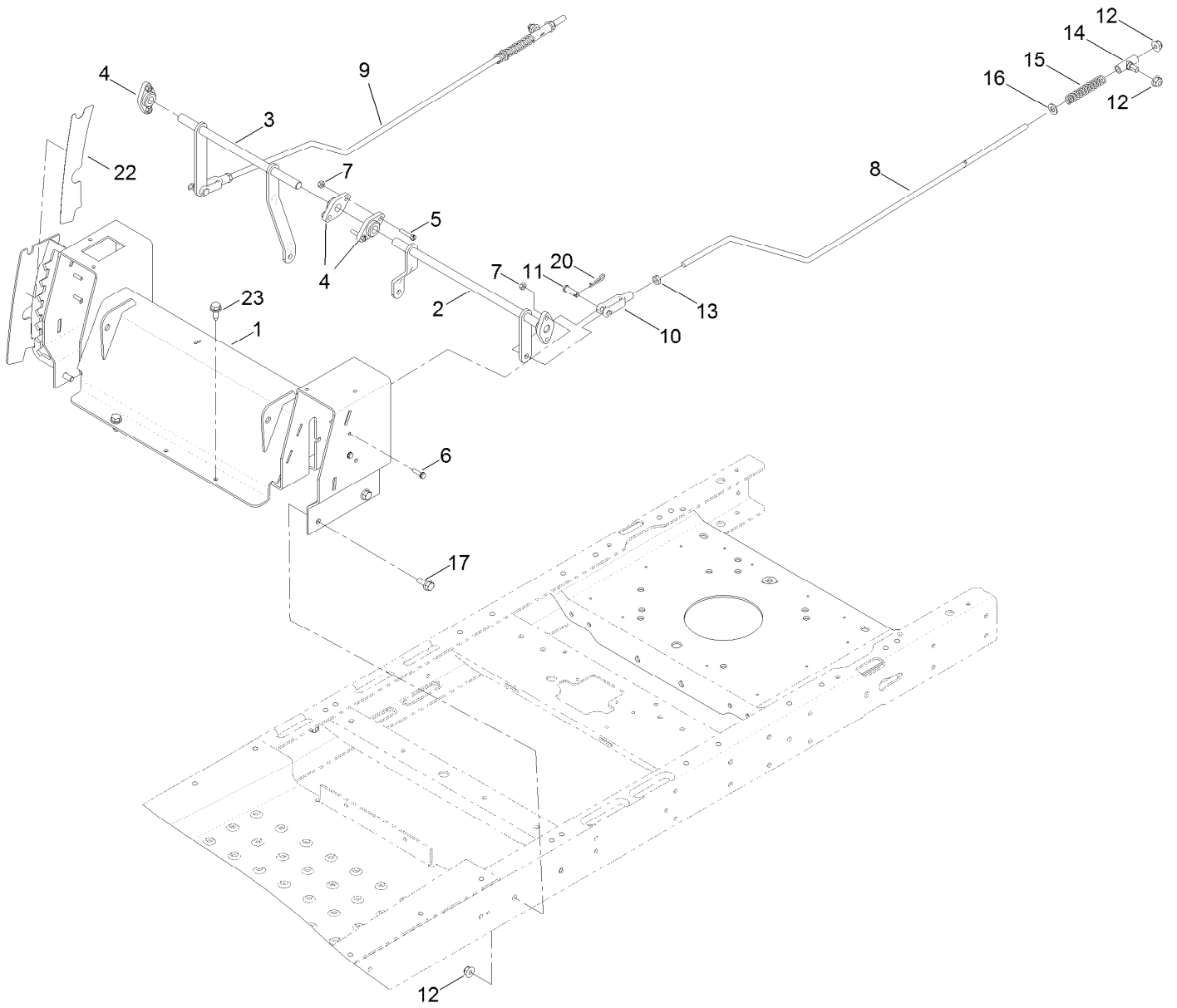
# Deck Lift Assembly



## Deck Lift Assembly (continued)

<i>Ref.</i>	<i>Part Number</i>	<i>Qty.</i>	<i>Description</i>	<i>Ref.</i>	<i>Part Number</i>	<i>Qty.</i>	<i>Description</i>
1	1-806005	1	Pin-Cotter	18	131-0901-01	1	Mount-Hydro, Front (RH)
2	120-5499	2	Screw-HSBH	19	131-0902-01	1	Mount-Hydro, Front (LH)
4	119-3427-03	1	Lever-Lift	20	3234-29	6	Screw-HHF
5	119-3424-03	1	Lift-Deck, Wide	21	3296-19	1	Nut-Hex
6	117-7337-03	1	Brace-Seat, Rear	22	32144-70	16	Screw-HWHTF
7	119-8875	2	Bracket-Lift	24	131-3945	1	Rod-Mount, Deck
8	131-0914-03	1	Bracket-Battery	25	119-8810	1	Pin-Pivot
9	3296-29	2	Nut-Lock, NI	35	121-2989	2	Decal-Bypass
10	108-7840	2	Link-Lift	36	130-0701-03	1	Guard-Engine, Wide
11	119-3347	1	Arm-Lift, Rear (Wide)	37	130-6946-01	1	Crossmember-Rear, Wide
12	108-7845	2	Block-Pivot	38	3234-47	8	Screw-HHF
14	1-633268	1	Grip-Lever	39	117-1232-03	1	Bracket-Hitch
15	3272-11	2	Pin-Cotter	40	131-4036	1	Decal
16	3256-26	3	Washer-Flat	43	99-4693	1	Decal
17	104-8300	14	Nut-HF, NI				

# Motion Control Assembly

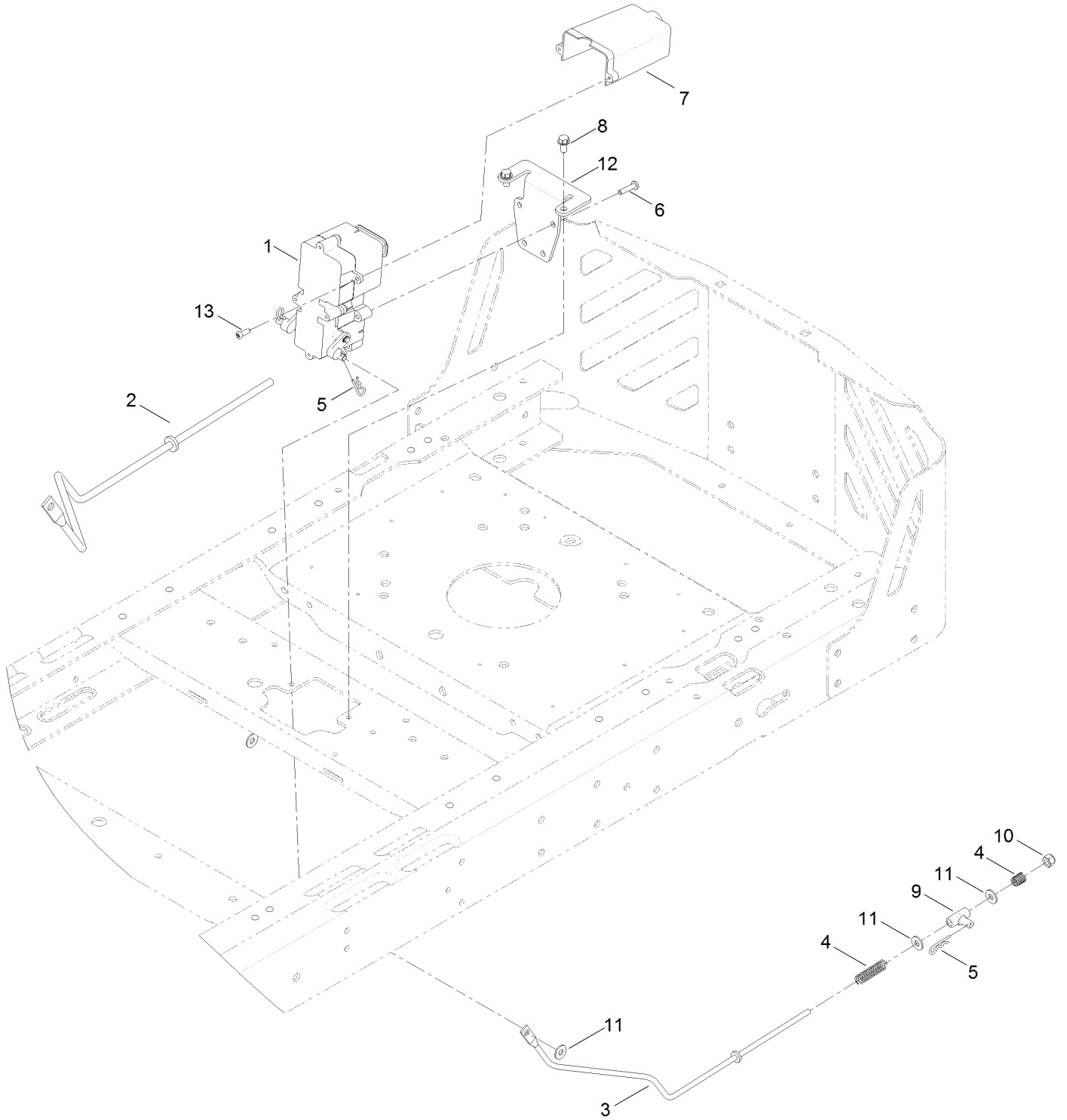




## Motion Control Assembly (continued)

<i>Ref.</i>	<i>Part Number</i>	<i>Qty.</i>	<i>Description</i>	<i>Ref.</i>	<i>Part Number</i>	<i>Qty.</i>	<i>Description</i>
1	125-5458-03	1	Box-Control, Wide	11	1-808280	2	Pin-Clevis
2	127-0138	1	Bellcrank-LH, Wide	12	104-8300	8	Nut-HF, NI
3	127-0134	1	Bellcrank-RH, Wide	13	3220-2	2	Nut-Jam
4	127-0146	4	Bearing-Flange	14	119-8842	2	Mount-Rod, Hydro
5	32105-12	2	Screw	15	1-603807	2	Spring-Return, Neutral
6	3290-126	4	Screw-HWH	16	3256-23	2	Washer-Plain
7	3296-2	6	Nut-Lock, NI	17	3234-47	4	Screw-HHF
8	125-1812	1	Rod-Hydro, LH	20	1-806003	2	Pin-Cotter
9	127-3378	1	Rod-Hydro, RH	22	119-8870	1	Decal-HOC
10	1-303105	2	Yoke-Adjustable	23	32144-70	2	Screw-HWHTF

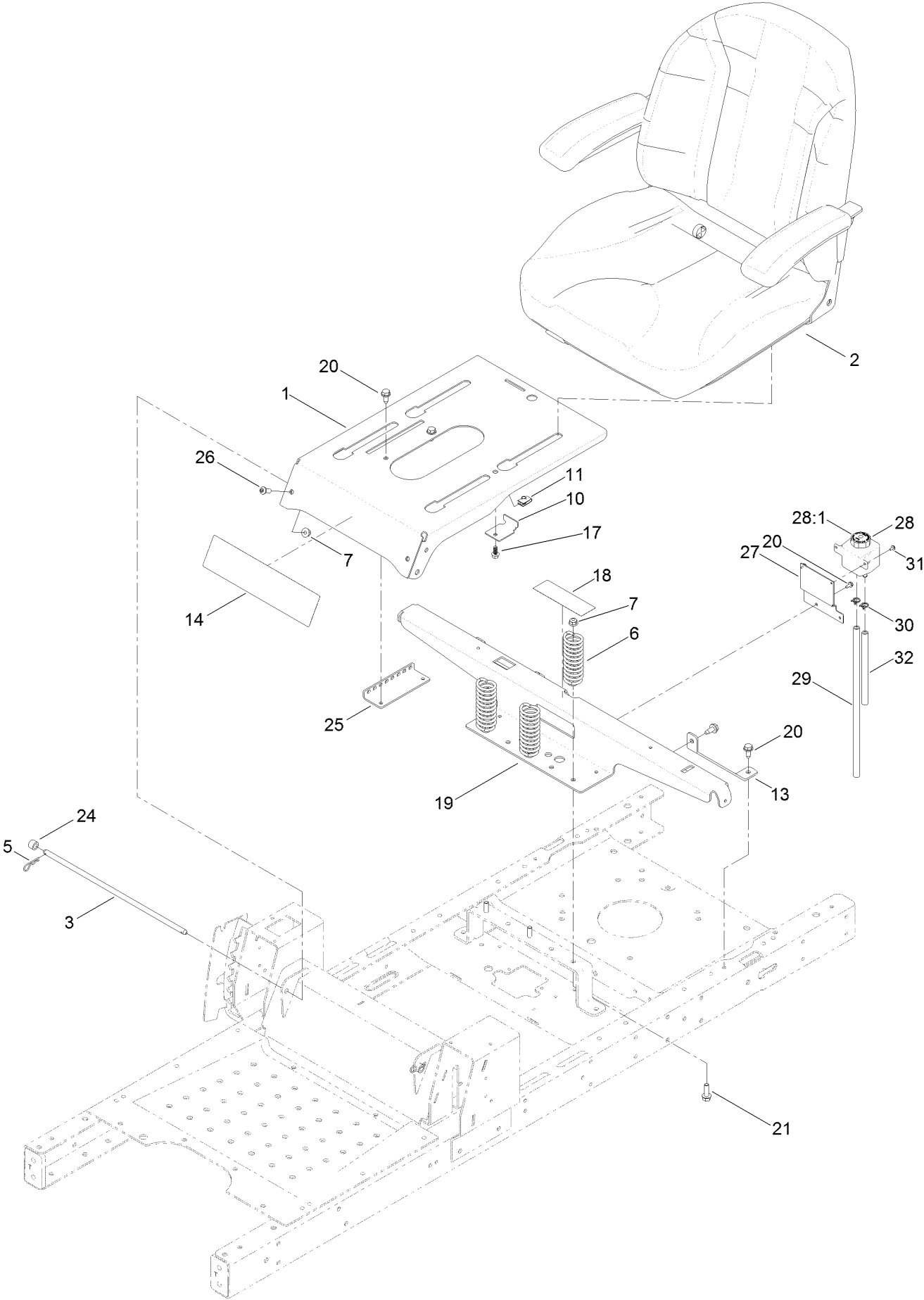
# Brake Assembly



## Brake Assembly (continued)

<i>Ref.</i>	<i>Part Number</i>	<i>Qty.</i>	<i>Description</i>	<i>Ref.</i>	<i>Part Number</i>	<i>Qty.</i>	<i>Description</i>
1	130-0795	1	Brake Box ASM	8	32144-4	2	Screw-HWH
2	119-8811	1	Rod-Brake, RH	9	119-8857	2	Mount-Pivot
3	119-8812	1	Rod-Brake, LH	10	3296-42	2	Nut-Lock, NI
4	121-5654	4	Spring-Compression	11	119-8952	6	Washer
5	3290-307	4	Pin-Cotter	12	130-0790-03	1	Bracket-Mount, Brake
6	32144-36	4	Screw-PPH	13	94-4496	2	Screw-PPH
7	130-6974	1	Cover-Connector				

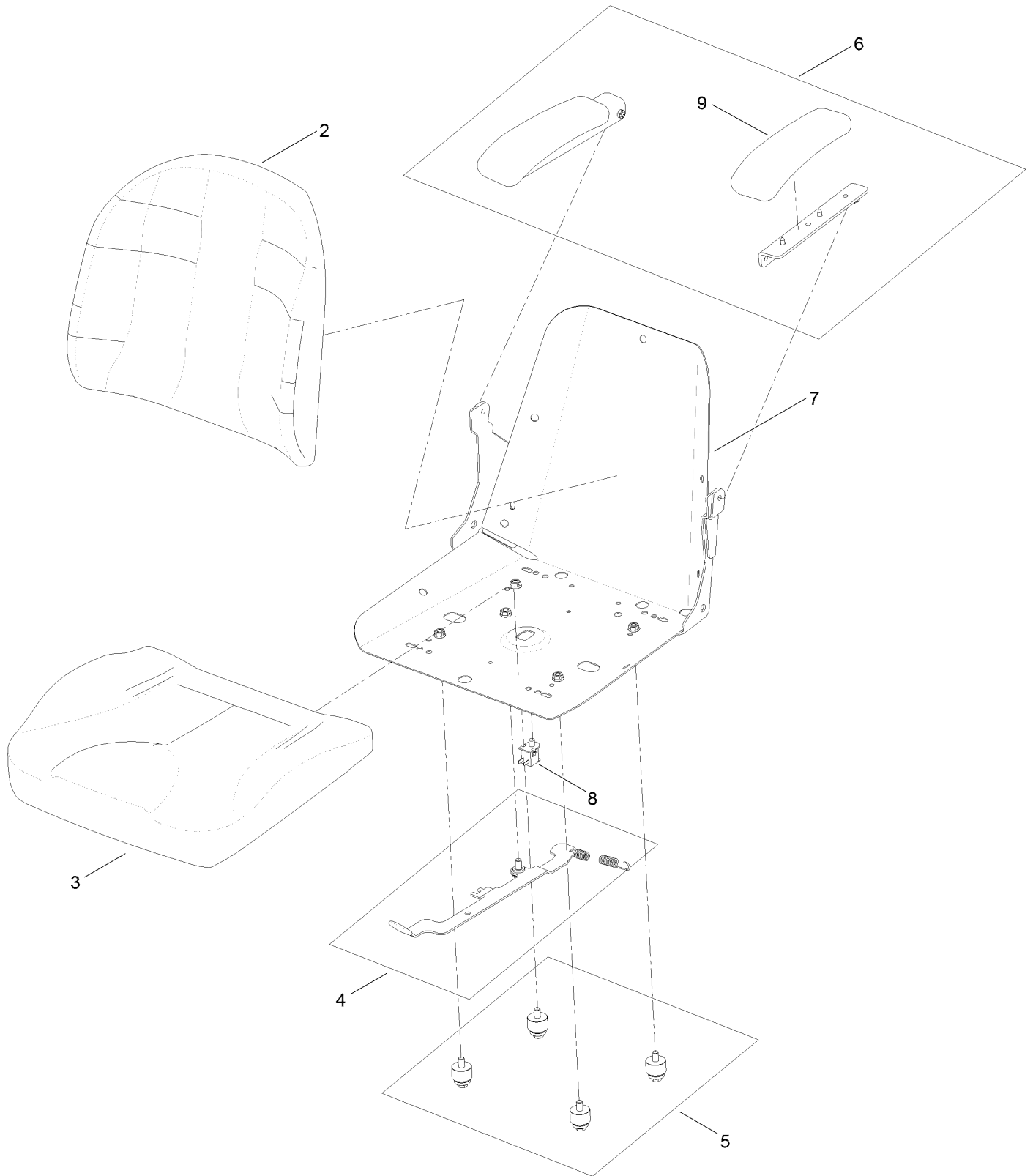
# Seat Assembly



## Seat Assembly (continued)

<i>Ref.</i>	<i>Part Number</i>	<i>Qty.</i>	<i>Description</i>	<i>Ref.</i>	<i>Part Number</i>	<i>Qty.</i>	<i>Description</i>
1	132-0919-03	1	Pan-Seat	20	32144-70	7	Screw-HWHTF
2	131-4147	1	Seat ASM	21	3234-29	3	Screw-HHF
3	115-4966	1	Rod-Stop	24	1-413088	2	Bushing-Lever, Lift
5	3290-250	2	Pin-Cotter	25	131-4008-03	1	Bracket-Latch, Seat
6	92-7054	3	Spring-Compression	26	131-4080	2	Screw-HSBH
7	104-8300	5	Nut-HF, NI	27	120-7970-03	1	Mount-Tank
10	131-1038	1	Bracket-Stop, Seat	28	109-2250	1	Tank-HYD
11	107069	1	Clip	28:1	109-3320	1	Cap-Reservoir, HYD
13	119-3431-03	2	Support-Tank, Rear	29	121-2951	1	Hose-Overflow
14	131-3660	1	Decal-Timecutter	30	117-1193	4	Clamp-Hose
17	99-6810	1	Screw-HHF	31	46-8560	2	Screw-HHFTF
18	106-8717	1	Decal-Service, CE	32	121-2952	1	Hose-Overflow
19	131-1039-03	1	Support-Pod, Wide				

# Seat Assembly No. 131-4147

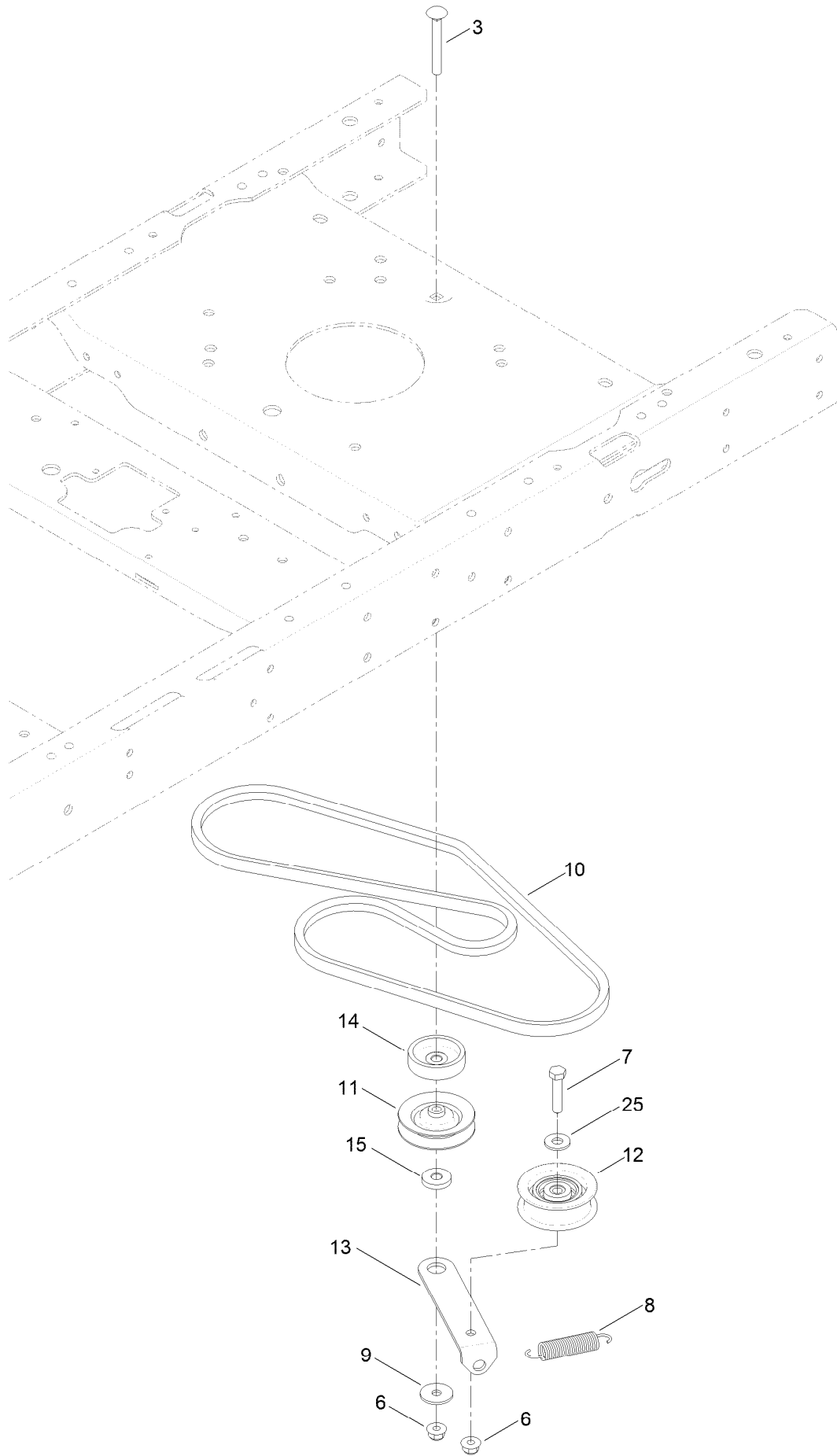


## Seat Assembly No. 131-4147 (continued)

<i>Ref.</i>	<i>Part Number</i>	<i>Qty.</i>	<i>Description</i>
2	131-4149	1	Cushion-Seat, Back
3	131-4151	1	Cushion-Seat, Bottom
4	131-4153	1	Track ASM
5	131-4154	1	Bushing ASM

<i>Ref.</i>	<i>Part Number</i>	<i>Qty.</i>	<i>Description</i>
6	131-4155	1	Armrest Kit
7	131-4156	1	Shell
8	82-2190	1	Switch-Bail
9	110-4163	2	Cushion-Rest, Arm

# Belt and Idler Assembly

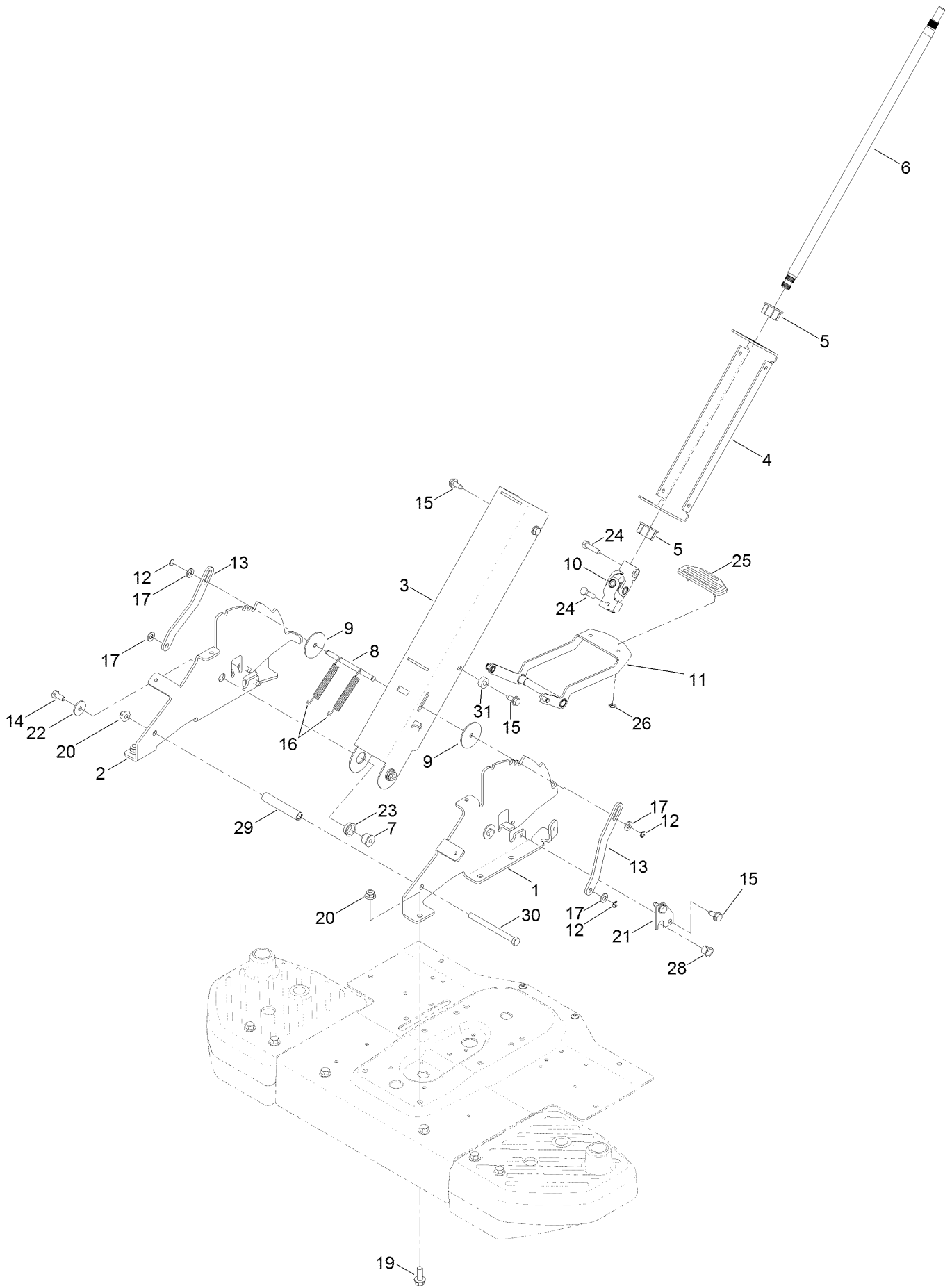




## Belt and Idler Assembly (continued)

<i>Ref.</i>	<i>Part Number</i>	<i>Qty.</i>	<i>Description</i>	<i>Ref.</i>	<i>Part Number</i>	<i>Qty.</i>	<i>Description</i>
3	3230-8	1	Screw-CARR	11	119-8822	1	Pulley-Idler
6	104-8300	2	Nut-HF, NI	12	106-2176	1	Pulley-Idler
7	322-7	1	Screw-HH	13	119-3326	1	Arm-Idler
8	104-6415	1	Spring-Return, Pedal	14	119-3353	1	Spacer
9	5-4460	1	Washer-Pivot	15	119-3327	1	Spacer-Arm, Idler
10	130-6976	1	V-Belt	25	3256-3	1	Washer-Flat

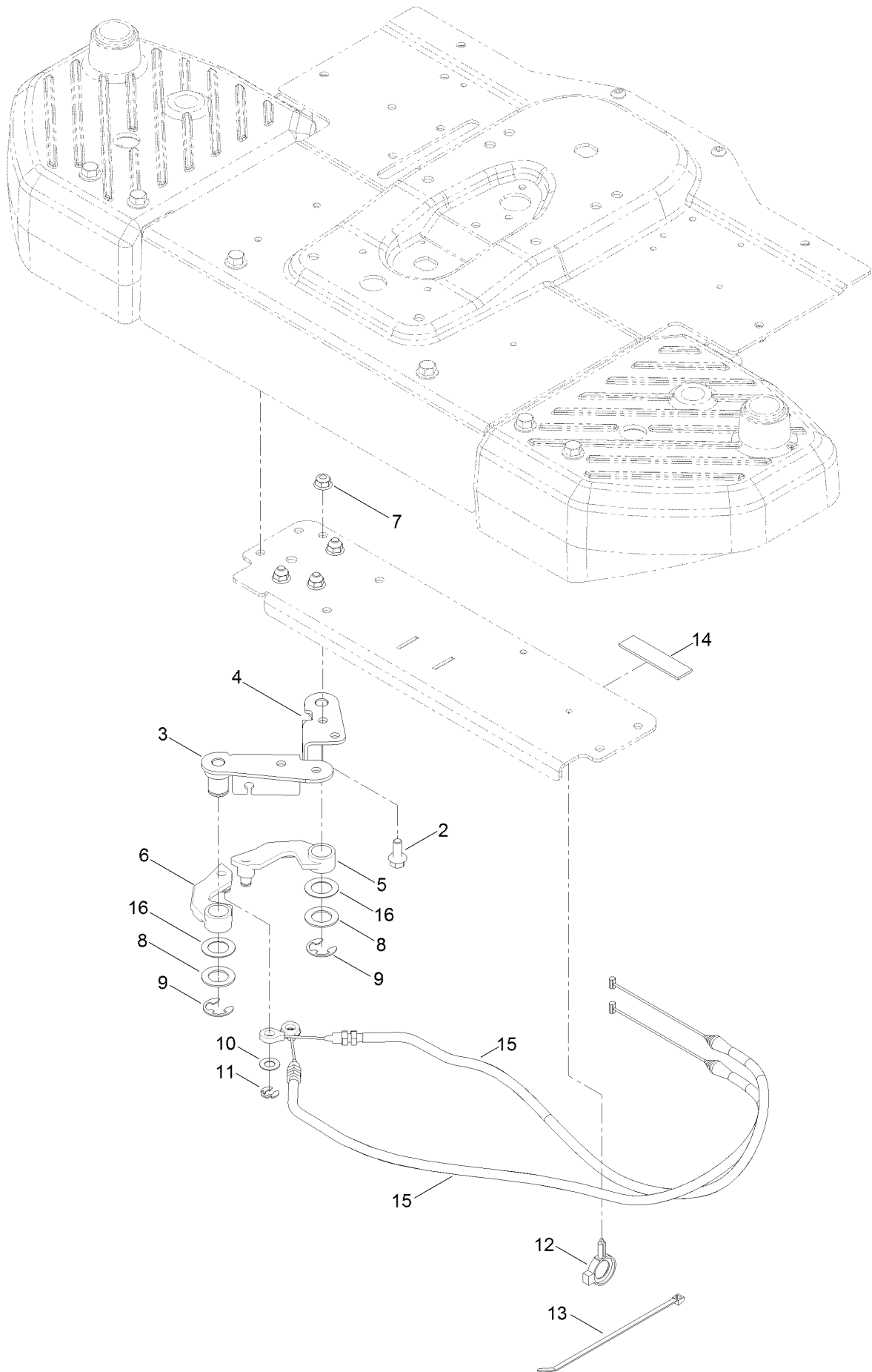
# Steering Column Assembly



## Steering Column Assembly (continued)

<i>Ref.</i>	<i>Part Number</i>	<i>Qty.</i>	<i>Description</i>	<i>Ref.</i>	<i>Part Number</i>	<i>Qty.</i>	<i>Description</i>
1	131-1052-03	1	Bracket-Pivot, Column (LH)	16	130-6998	2	Spring-Extension
2	131-1053-03	1	Bracket-Pivot, Column (RH)	17	3256-23	4	Washer-Plain
3	131-1054-01	1	Column-Front	19	3234-11	6	Screw-HHF
4	131-1055-01	1	Column-Back	20	104-8301	7	Nut-HF, NI
5	93-1146	2	Bushing-Steering, Upper	21	131-1043	2	Plate-Retainer
6	125-5507	1	Shaft-Steering, Upper	22	5-4460	2	Washer-Pivot
7	131-1056	2	Spacer-Pivot, Column	23	99-4243	2	Bushing-Flange
8	131-1050	1	Rod-Plunger	24	322-6	2	Screw-HH
9	131-8729	2	Washer-Shaft, Tilt	25	131-4096	1	Pad-Tilt Pedal
10	131-1030	1	U-Joint ASM	26	32112-6	2	Nut-Push
11	131-7726	1	Release Pedal ASM	28	256-257	2	Bushing-Nyliner
12	701197	4	E-Ring	29	131-3697	1	Spacer
13	131-1049	2	Plate-Plunger	30	323-23	1	Screw-HH
14	322-3	2	Screw-HH	31	121-1759	2	Spacer
15	32144-70	8	Screw-HWHTF				

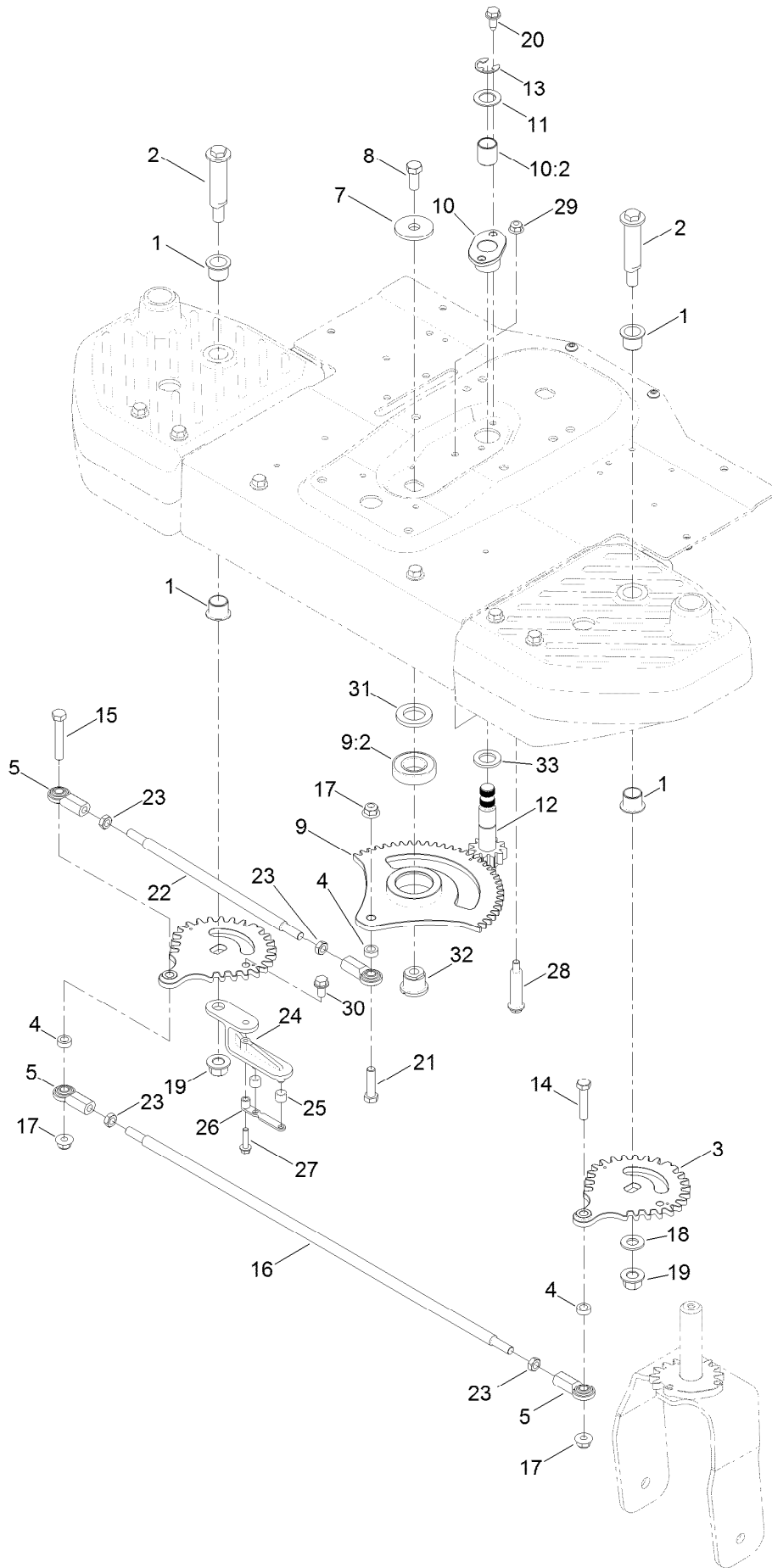
# Steering Cable Assembly



## Steering Cable Assembly (continued)

<i>Ref.</i>	<i>Part Number</i>	<i>Qty.</i>	<i>Description</i>	<i>Ref.</i>	<i>Part Number</i>	<i>Qty.</i>	<i>Description</i>
2	3234-47	4	Screw-HHF	10	37-8080	2	Washer-Thrust
3	131-3952	1	Cable Bracket ASM	11	32151-47	2	Ring-Retaining
4	131-3953	1	Cable Bracket ASM	12	105-1853	2	Clamp-Hose
5	131-3623	1	Arm-Cable, RH	13	614249	1	Tie-Cable
6	131-3647	1	Arm-Cable, LH	14	105-7699	1	Strip-Seal
7	104-8300	4	Nut-HF, NI	15	127-0118	2	Cable-Steering
8	119-7640	2	Washer-Thrust	16	3-6498	2	Washer-Thrust
9	32151-48	2	E-Ring				

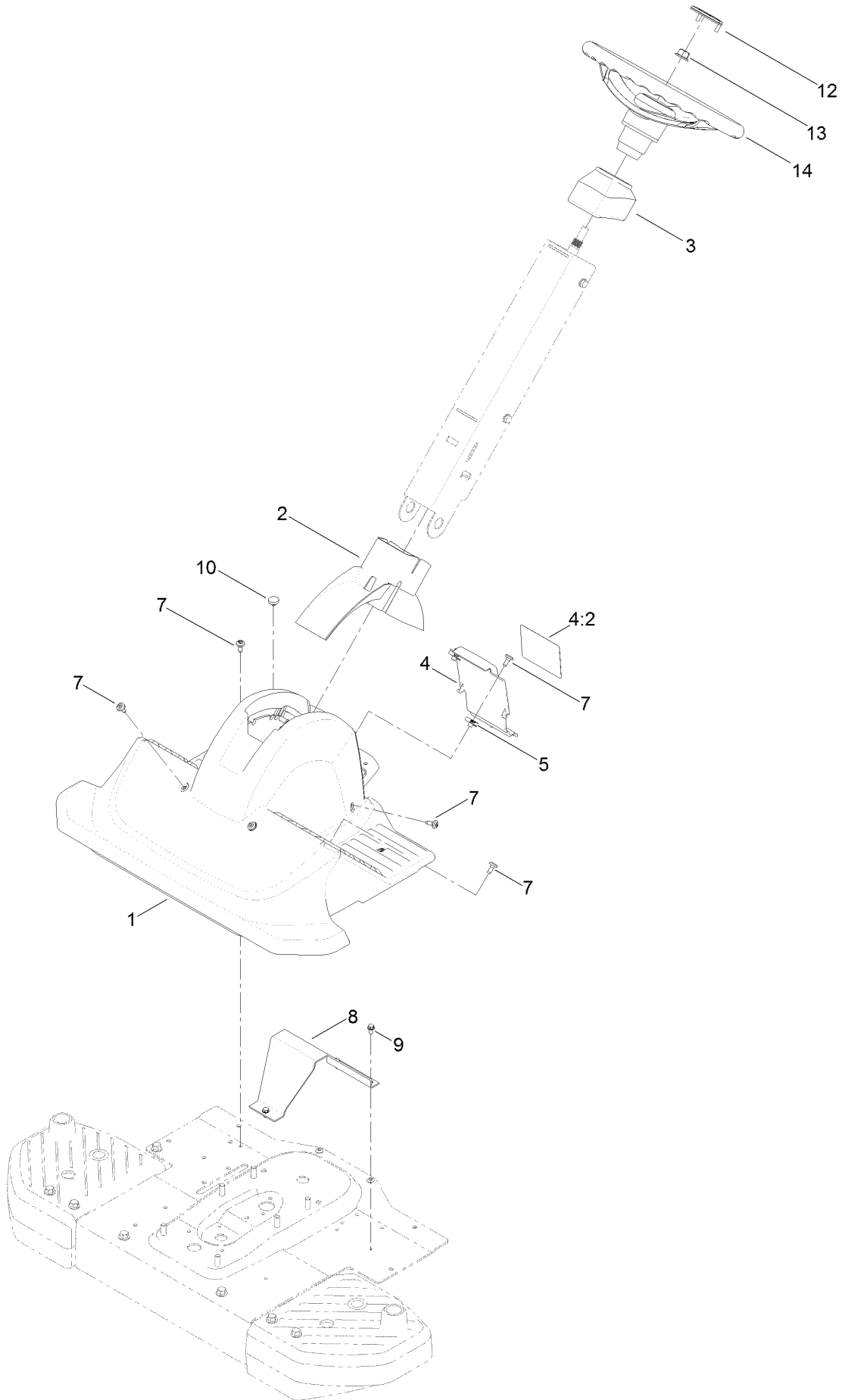
# Gear Assembly



## Gear Assembly (continued)

<i>Ref.</i>	<i>Part Number</i>	<i>Qty.</i>	<i>Description</i>	<i>Ref.</i>	<i>Part Number</i>	<i>Qty.</i>	<i>Description</i>
1	103-4398	4	Bearing-Flange, Iglide	17	104-8301	3	Nut-HF, NI
2	131-1031	2	Bolt-Shoulder	18	3256-26	1	Washer-Flat
3	130-0830	2	Gear-Wheel, 30 Tooth	19	99-5107	2	Nut-Lock
4	83-1050	3	Spacer	20	32144-70	2	Screw-HWHTF
5	103-0608	4	Joint-Ball, End	21	323-8	1	Screw-HH
7	84-1560	1	Washer-Thrust	22	131-1037	1	Rod-Steering, Wide
8	324-4	1	Screw-HH	23	3220-3	4	Nut-HJ
9	131-8731	1	Sector Gear ASM	24	130-6878	1	Lever-Cable
9:2	109-3678	1	Bearing-Ball	25	131-3951	2	Bushing
10	131-8733	1	Flange Bearing ASM	26	131-3950	1	Strap-Roller
10:2	115-7019	1	Bushing-Straight	27	32144-86	1	Screw-HWHTF
11	119-7640	1	Washer-Thrust	28	100-9880	1	Bolt-Shoulder
12	125-5508	1	Lower Steering Shaft ASM	29	104-8300	1	Nut-HF, NI
13	32151-48	1	E-Ring	30	32144-14	1	Screw-HWHTF
14	323-9	1	Screw-HH	31	131-8736	1	Spacer-Bearing
15	323-11	1	Screw-HH	32	131-8737	1	Pivot-Bearing
16	130-6986	1	Rod-Cross, Wide	33	70-1160	1	Washer

# Steering Assembly

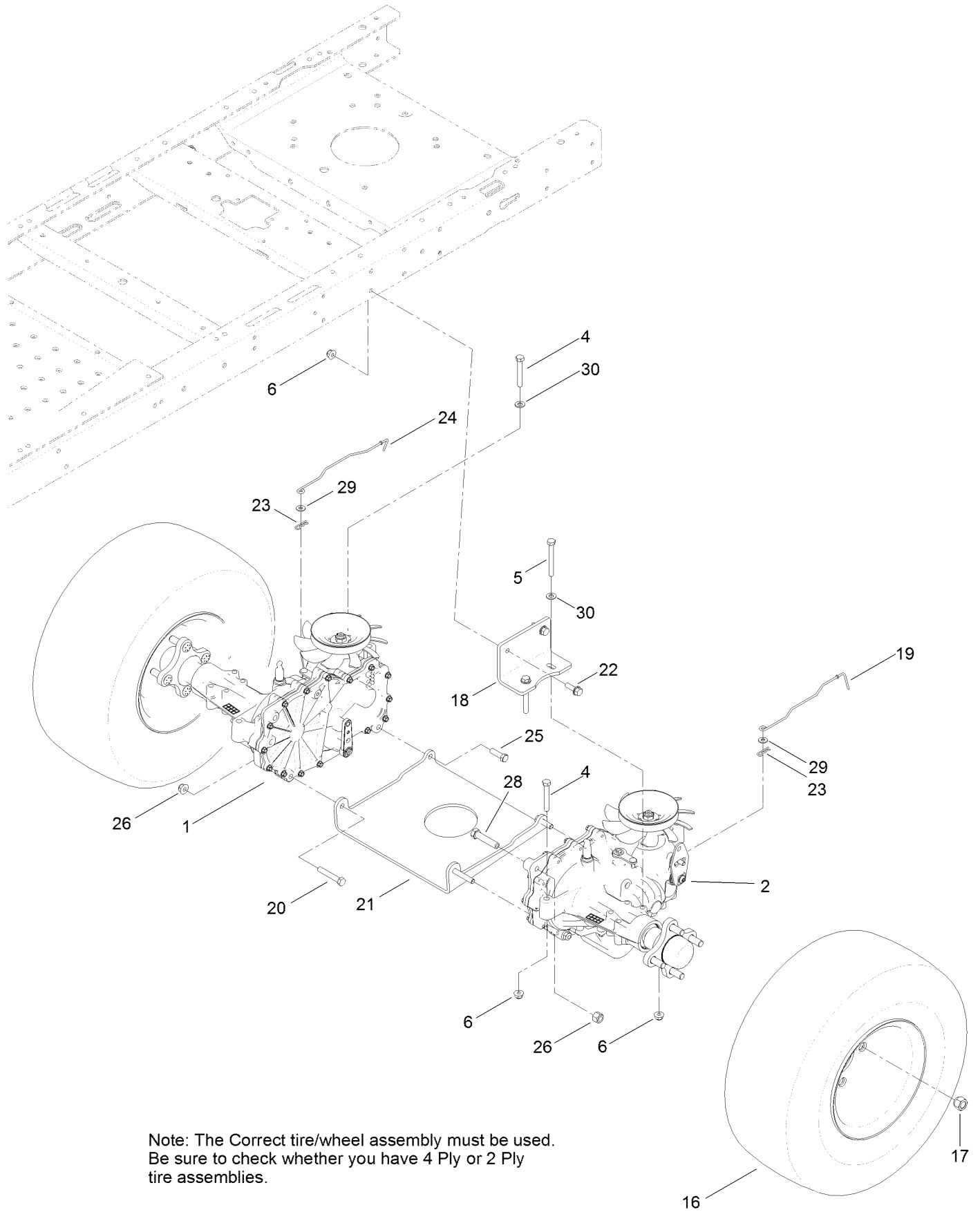




## Steering Assembly (continued)

<i>Ref.</i>	<i>Part Number</i>	<i>Qty.</i>	<i>Description</i>	<i>Ref.</i>	<i>Part Number</i>	<i>Qty.</i>	<i>Description</i>
1	131-1070	1	Shroud	8	131-1029-03	1	Support-Footrest
2	131-1028	1	Cover-Pivot, Column	9	32144-4	3	Screw-HWH
3	131-1066	1	Cap-Column	10	1-513658	1	Bumper
4	131-4099	1	Rear Cover And Decal ASM	12	131-3630	1	Cap-Wheel, Steering
4:2	132-0870	1	Decal-Danger	13	99-5107	1	Nut-Lock
5	107069	2	Clip	14	131-0957	1	Wheel-Steering
7	120-7950	9	Screw-Shoulder				

# Hydro Transaxle Drive and Rear Wheel Assembly

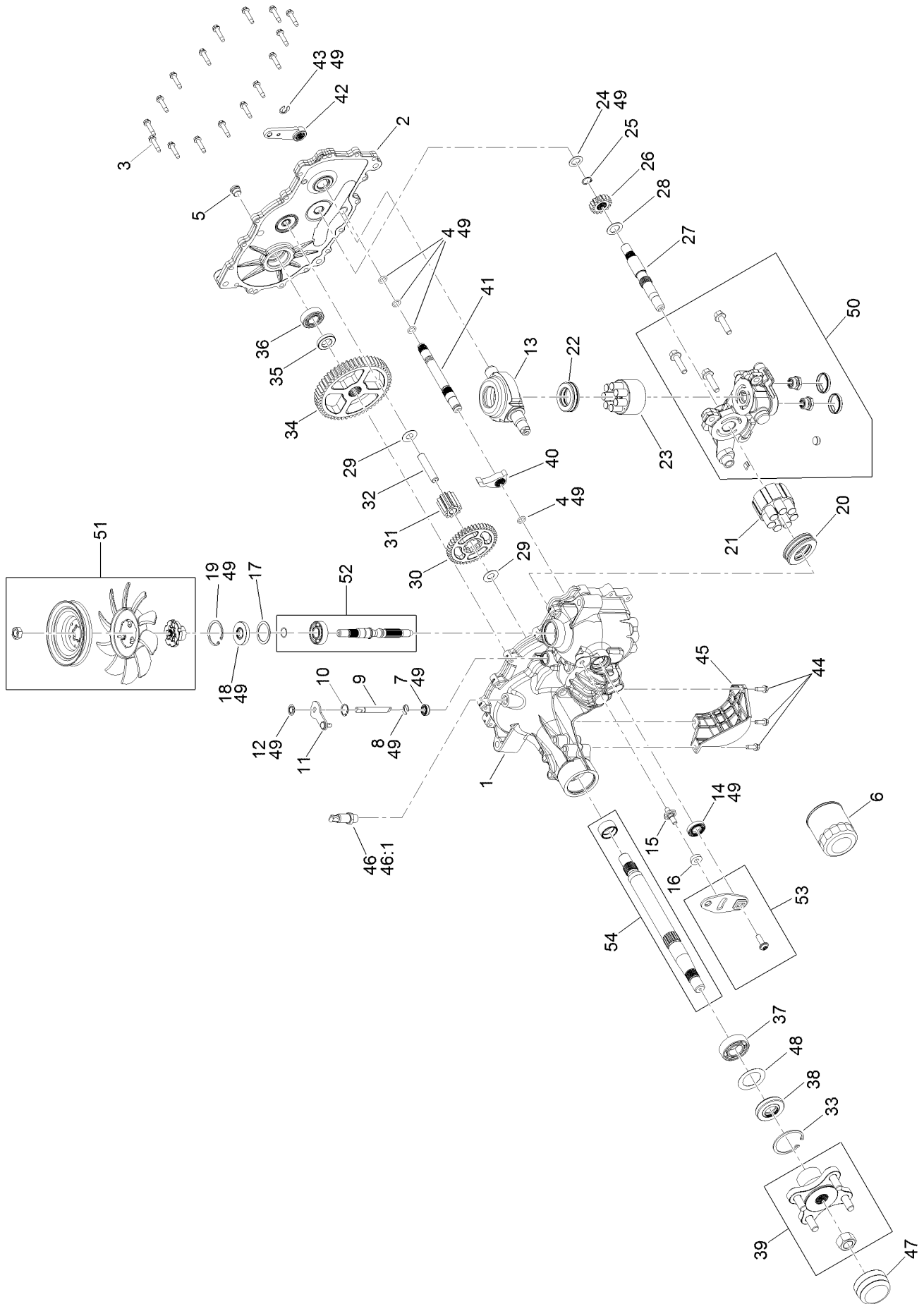


Note: The Correct tire/wheel assembly must be used. Be sure to check whether you have 4 Ply or 2 Ply tire assemblies.

# Hydro Transaxle Drive and Rear Wheel Assembly (continued)

<i>Ref.</i>	<i>Part Number</i>	<i>Qty.</i>	<i>Description</i>	<i>Ref.</i>	<i>Part Number</i>	<i>Qty.</i>	<i>Description</i>
1	130-6961	1	RH Hydro Transmission ASM	19	130-7048	1	Rod-Bypass, LH
2	130-6960	1	LH Hydro Transmission ASM	20	323-11	2	Screw-HH
4	322-11	4	Screw-HH	21	130-0718-01	1	Plate-Cross, Hydro
5	322-13	4	Screw-HH	22	3234-29	4	Screw-HHF
6	104-8300	12	Nut-HF, NI	23	3290-307	2	Pin-Cotter
16	109-5268	2	4 Ply Wheel And Tire ASM	24	130-7047	1	Rod-Bypass, RH
16	131-3673	2	2 Ply Tire And Wheel ASM	25	323-7	2	Screw-HH
17	242-50	8	Nut-Lug	26	104-8301	6	Nut-HF, NI
18	121-0745-01	2	Mount-Hydro	28	323-9	2	Screw-HH
				29	119-8952	2	Washer
				30	3256-23	6	Washer-Plain

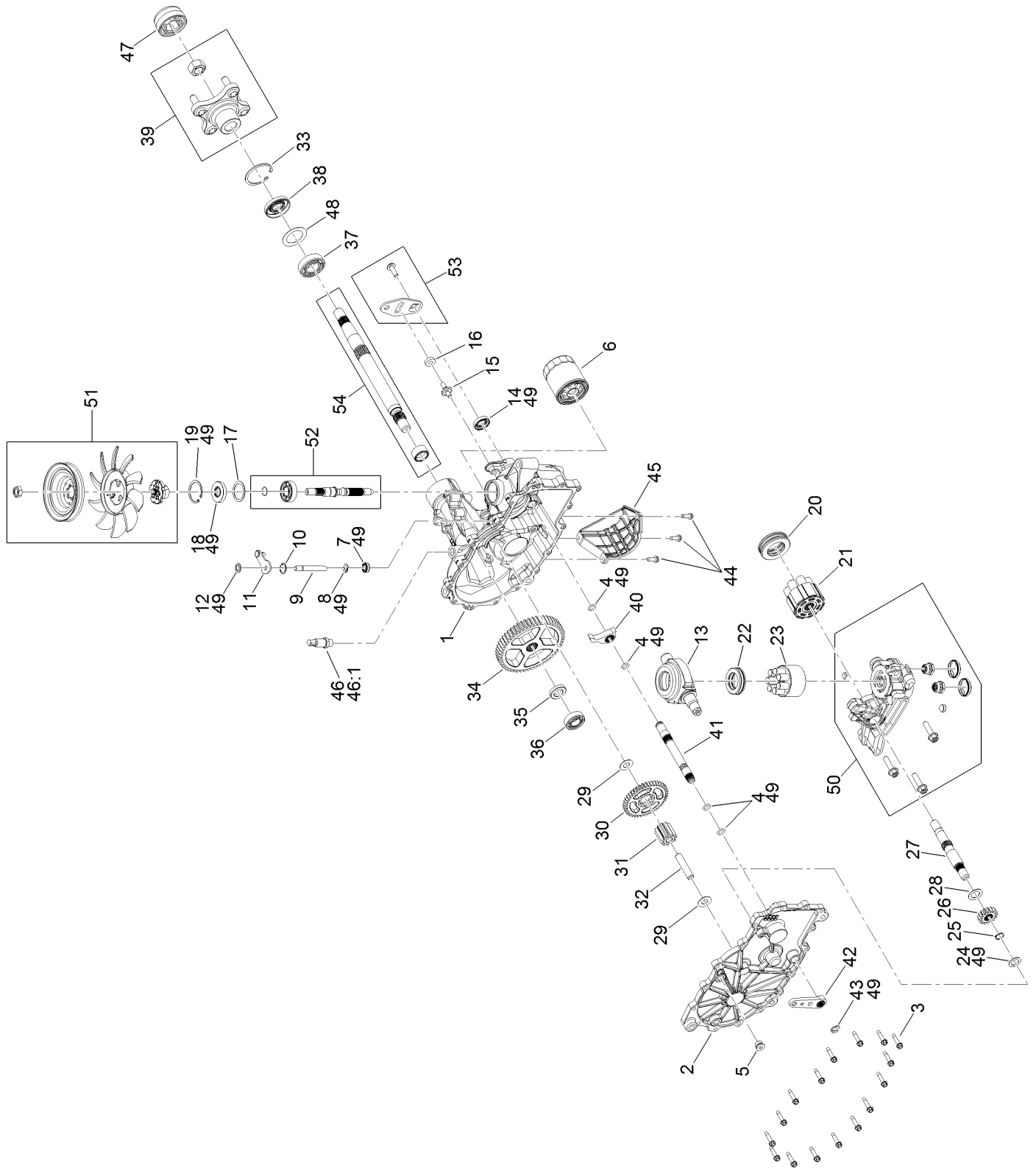
# LH Transaxle Assembly No. 130-6960



## LH Transaxle Assembly No. 130-6960 (continued)

<i>Ref.</i>	<i>Part Number</i>	<i>Qty.</i>	<i>Description</i>	<i>Ref.</i>	<i>Part Number</i>	<i>Qty.</i>	<i>Description</i>
1	125-0037	1	Main Housing Kit	29	94-1933	2	Washer
2	132-0939	1	RH Side Cover Kit	30	125-0000	1	Gear-43T
3	117-5359	16	Screw-HHF	31	114-1693	1	Gear-11T
4	114-1678	4	O-Ring	32	104-5329	1	Pin-Jackshaft
5	104-2189	1	Plug-Thread, Straight	33	104-2169	1	Ring-Retaining
6	109-3321	1	Element-Oil Filter, HYD	34	114-1694	1	Gear-54T
7	106-8676	1	Seal-Lip	35	120-7975	1	Spacer
8	106-8677	1	Ring-Retaining, External	36	126-0789	1	Bearing-Ball
9	114-1685	1	Rod-Bypass	37	120-7976	1	Bearing-Ball
10	106-8679	1	Ring-Retaining, Internal	38	104-2144	1	Seal
11	112-9852	1	Arm-Bypass	39	109-5939	1	Hub Kit
12	106-8681	1	Ring-Retaining, External	40	114-1697	1	Pawl-Brake
13	104-5304	1	Swashplate-Trunnion	41	114-1698	1	Shaft-Brake, Inboard
14	104-5313	1	Seal-Lip	42	125-0021	1	Handle-Brake
15	104-2116	1	Stud	43	131-0906	1	Ring-Retaining, EXT
16	112-9853	1	Puck-Friction	44	104-2120	3	Screw
17	104-5308	1	Spacer	45	120-7981	1	Guard-Filter, RH
18	104-5310	1	Seal-Lip	46	109-3278	1	Adapter-Straight
19	104-5309	1	Ring-Retaining	46:1	237-42	1	O-Ring
20	112-4154	1	Bearing-Thrust	47	115-5057	1	Cover-Nut, Axle
21	114-1689	1	Motor Cylinder Block Kit	48	121-5745	1	Spacer
22	94-6922	1	Bearing-Thrust	49	109-3537	1	Seal Kit
23	110-8561	1	Pump Block ASM	50	132-0940	1	RH Center Section Kit
24	104-5339	1	Washer-Flat	51	121-5746	1	Fan Pulley Kit
25	104-5340	1	Ring-Retaining	52	114-8468	1	Input Shaft Kit
26	121-5749	1	Gear-16T	53	117-5362	1	Control Arm Kit
27	114-1691	1	Shaft-Motor	54	114-8470	1	Axle Shaft Kit
28	104-5360	1	Washer				

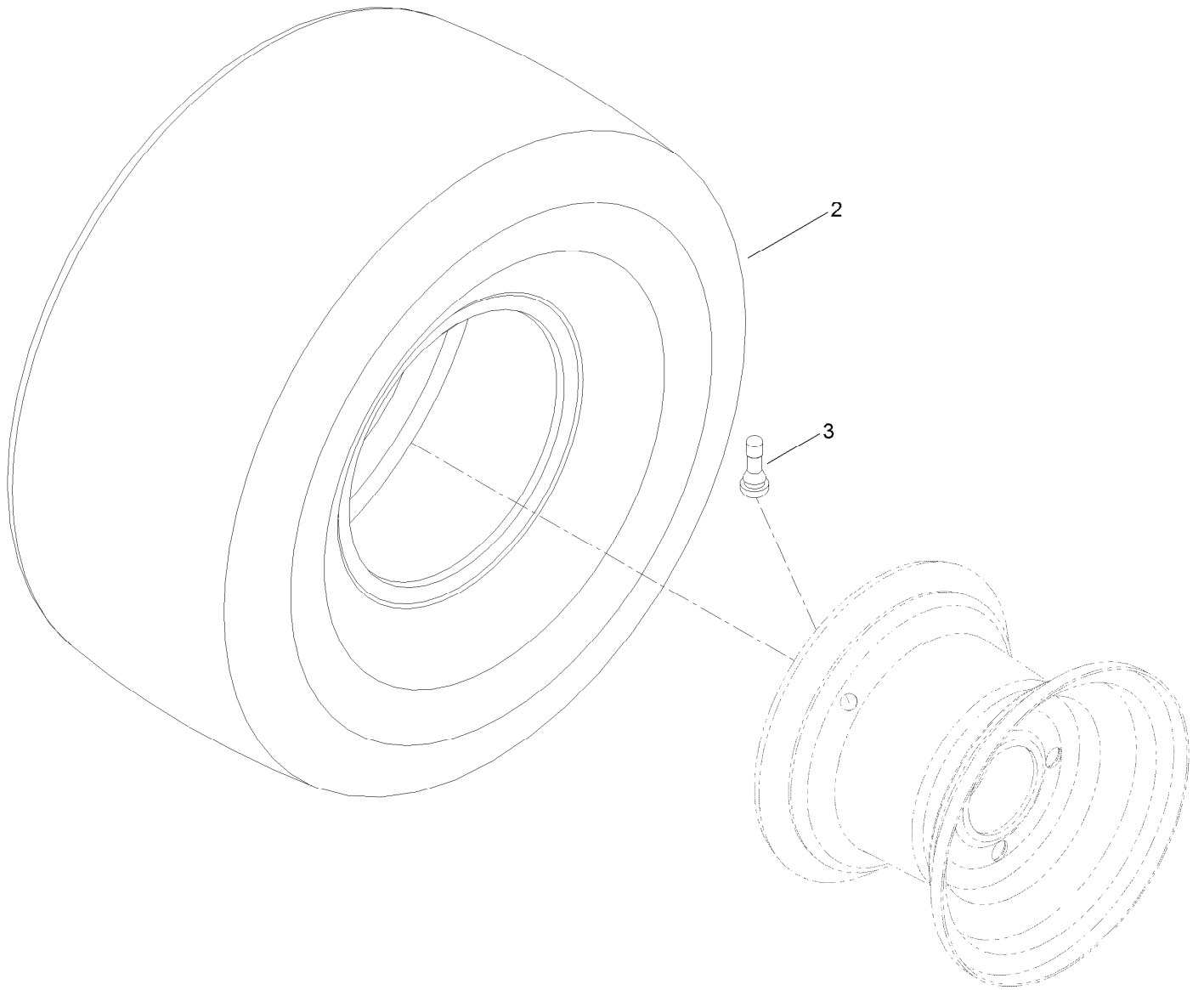
# RH Transaxle Assembly No. 130-6961



## RH Transaxle Assembly No. 130-6961 (continued)

<i>Ref.</i>	<i>Part Number</i>	<i>Qty.</i>	<i>Description</i>	<i>Ref.</i>	<i>Part Number</i>	<i>Qty.</i>	<i>Description</i>
1	121-5748	1	Main Housing Kit	29	94-1933	2	Washer
2	132-0938	1	LH Side Cover Kit	30	125-0000	1	Gear-43T
3	117-5359	16	Screw-HHF	31	114-1693	1	Gear-11T
4	114-1678	4	O-Ring	32	104-5329	1	Pin-Jackshaft
5	104-2189	1	Plug-Thread, Straight	33	104-2169	1	Ring-Retaining
6	109-3321	1	Element-Oil Filter, HYD	34	114-1694	1	Gear-54T
7	106-8676	1	Seal-Lip	35	120-7975	1	Spacer
8	106-8677	1	Ring-Retaining, External	36	126-0789	1	Bearing-Ball
9	114-1685	1	Rod-Bypass	37	120-7976	1	Bearing-Ball
10	106-8679	1	Ring-Retaining, Internal	38	104-2144	1	Seal
11	107-2490	1	Arm-Bypass	39	109-5939	1	Hub Kit
12	106-8681	1	Ring-Retaining, External	40	114-1697	1	Pawl-Brake
13	104-5304	1	Swashplate-Trunnion	41	114-1698	1	Shaft-Brake, Inboard
14	104-5313	1	Seal-Lip	42	125-0021	1	Handle-Brake
15	104-2116	1	Stud	43	131-0906	1	Ring-Retaining, EXT
16	112-9853	1	Puck-Friction	44	104-2120	3	Screw
17	104-5308	1	Spacer	45	120-7979	1	Guard-Filter, LH
18	104-5310	1	Seal-Lip	46	109-3278	1	Adapter-Straight
19	104-5309	1	Ring-Retaining	46:1	237-42	1	O-Ring
20	112-4154	1	Bearing-Thrust	47	115-5057	1	Cover-Nut, Axle
21	114-1689	1	Motor Cylinder Block Kit	48	121-5745	1	Spacer
22	94-6922	1	Bearing-Thrust	49	109-3537	1	Seal Kit
23	110-8561	1	Pump Block ASM	50	125-0036	1	Center Section Kit
24	104-5339	1	Washer-Flat	51	121-5746	1	Fan Pulley Kit
25	104-5340	1	Ring-Retaining	52	114-8468	1	Input Shaft Kit
26	121-5749	1	Gear-16T	53	117-5362	1	Control Arm Kit
27	114-1691	1	Shaft-Motor	54	114-8470	1	Axle Shaft Kit
28	104-5360	1	Washer				

# 4 Ply Wheel and Tire Assembly No. 109-5268



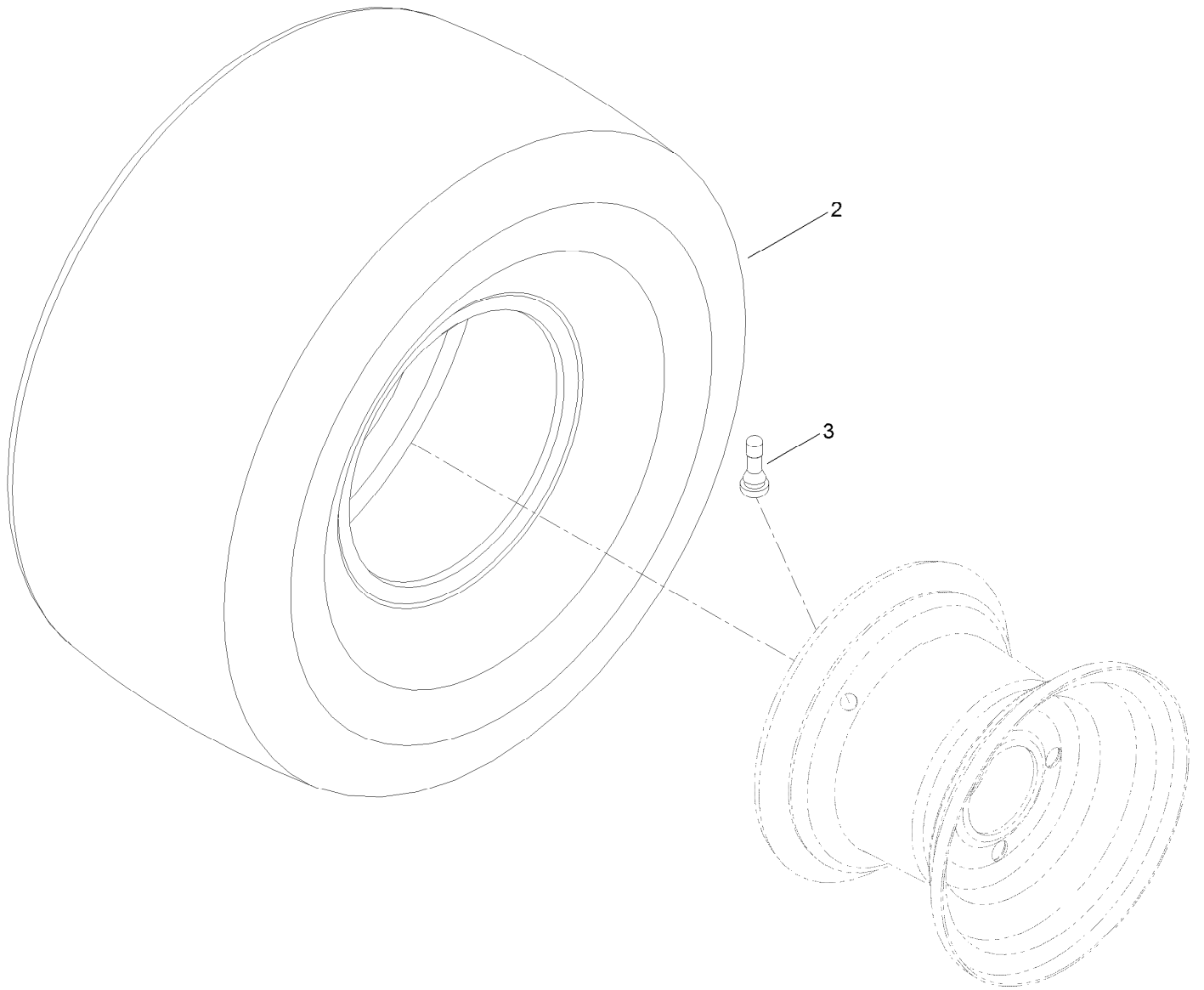


## 4 Ply Wheel and Tire Assembly No. 109-5268 (continued)

<i>Ref.</i>	<i>Part Number</i>	<i>Qty.</i>	<i>Description</i>
2	109-5269	1	Tire-4 Ply
3	232-27	1	Stem-Valve
4	93-3893	1	Tube-Inner ●

● Not illustrated

# 2 Ply Wheel and Tire Assembly No. 131-3673

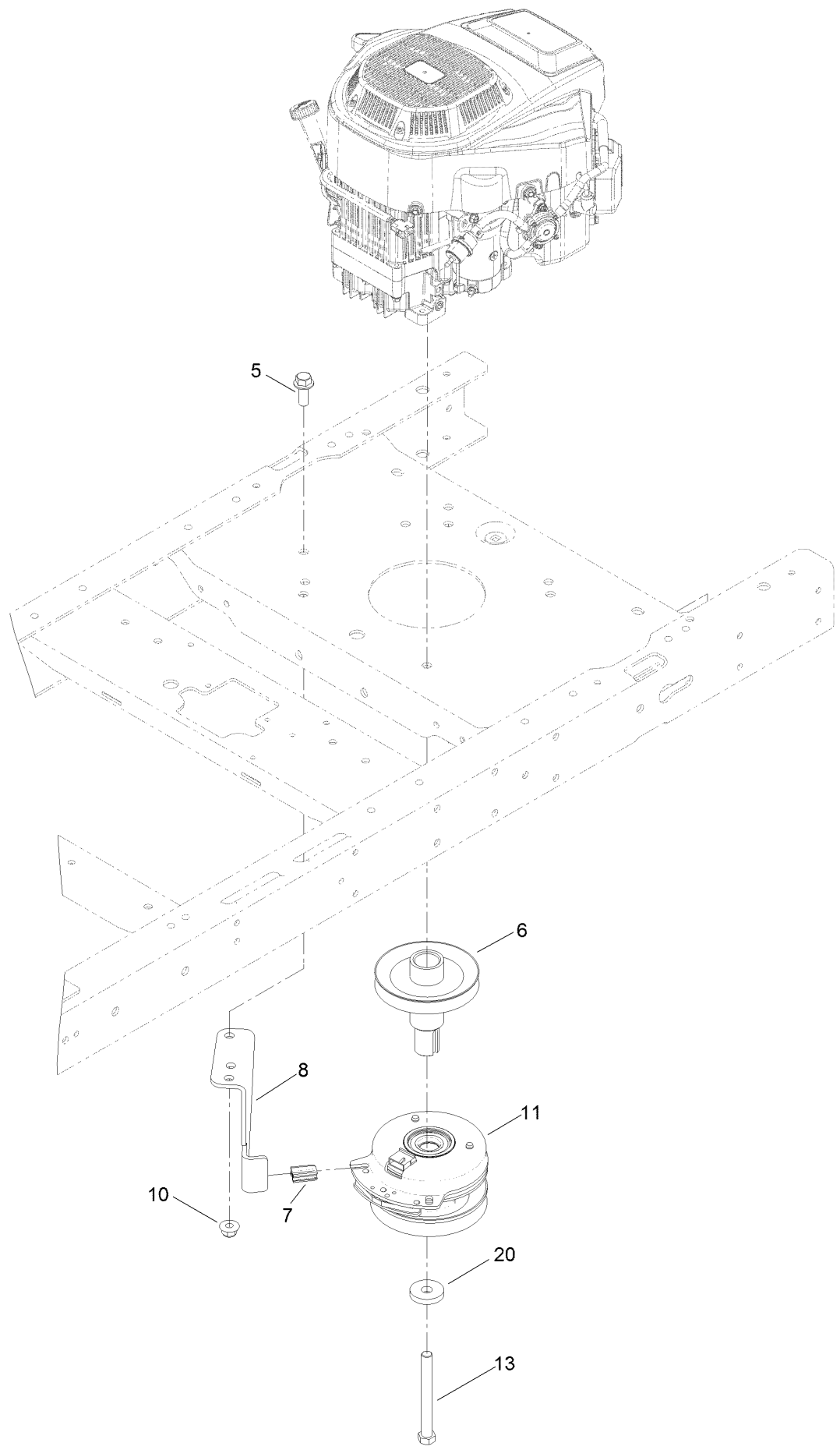


## 2 Ply Wheel and Tire Assembly No. 131-3673 (continued)

<i>Ref.</i>	<i>Part Number</i>	<i>Qty.</i>	<i>Description</i>
2	131-3680	1	Tire-2 Ply
3	232-27	1	Stem-Valve
4	93-3893	1	Tube-Inner ●

● Not illustrated

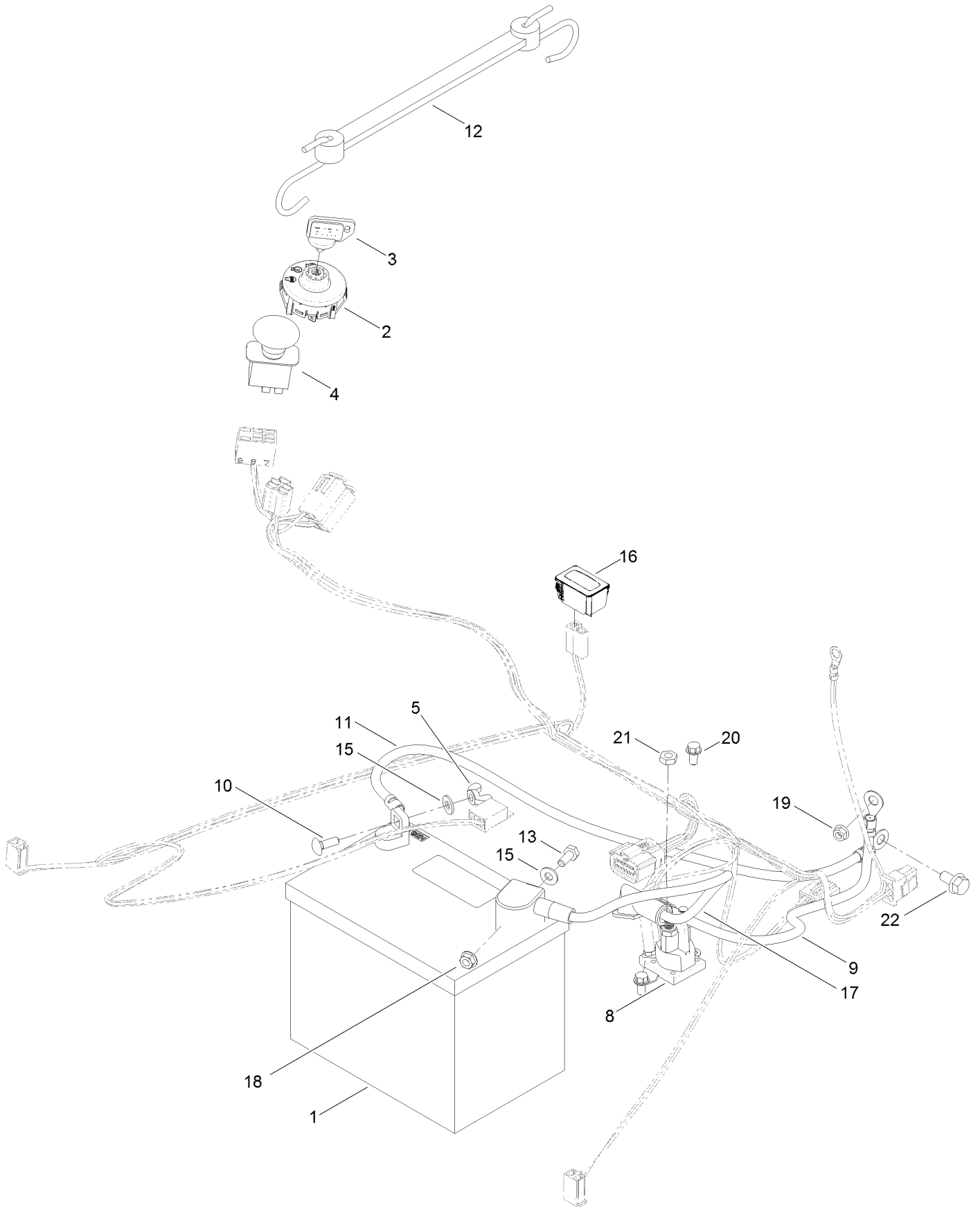
# Clutch Assembly



## Clutch Assembly (continued)

<i>Ref.</i>	<i>Part Number</i>	<i>Qty.</i>	<i>Description</i>	<i>Ref.</i>	<i>Part Number</i>	<i>Qty.</i>	<i>Description</i>
5	3234-42	1	Screw-HHF	10	104-8301	1	Nut-HF, NI
6	130-6854	1	Pulley-Engine	11	127-3410	1	Clutch-PTO
7	120-2217	1	Isolator-Clutch	13	3212-19	1	Screw-HH
8	119-8885	1	Stop-Clutch	20	112843	1	Washer

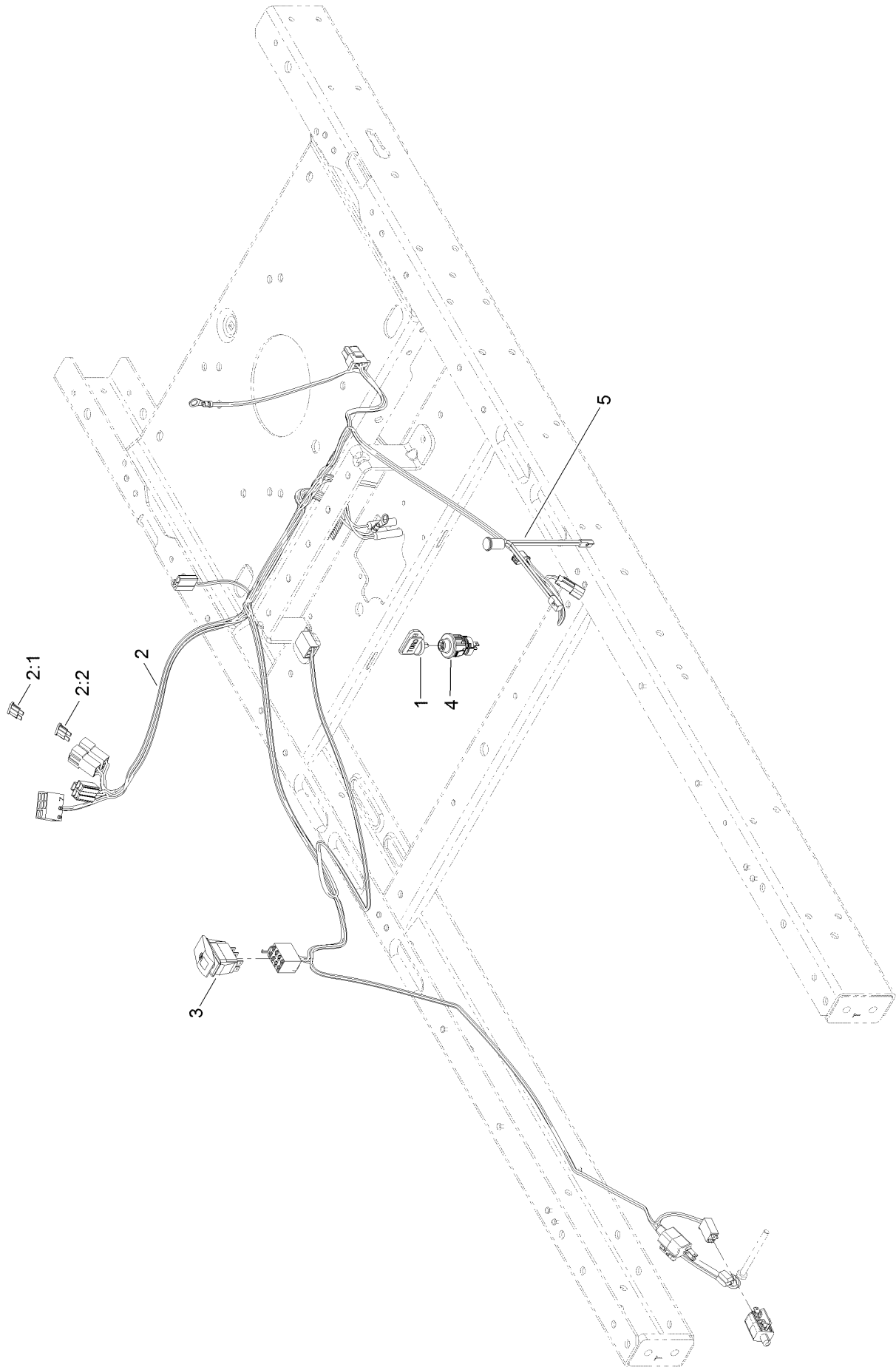
# Battery and Electrical Assembly



## Battery and Electrical Assembly (continued)

<i>Ref.</i>	<i>Part Number</i>	<i>Qty.</i>	<i>Description</i>	<i>Ref.</i>	<i>Part Number</i>	<i>Qty.</i>	<i>Description</i>
1	105-1692	1	Battery	13	321-3	1	Screw-HH
2	117-2221	1	Switch-Ignition	15	3256-22	2	Washer-Flat
3	63-8360	1	Key-Ignition	16	120-2244	1	Hourmeter
4	114-0279	1	Switch-PTO, On-On	17	119-8897	1	Cable-Battery, Red
5	32103-22	1	Nut-Wing	18	32128-33	1	Nut-HF
8	117-1197	1	Solenoid	19	33003-00	1	Nut-HF
9	121-0711	1	Cable-Battery, Positive	20	32144-4	2	Screw-HWH
10	3229-1	1	Bolt-CARR	21	3220-2	2	Nut-Jam
11	119-8899	1	Cable-Battery, Black	22	3234-14	1	Screw-HHF
12	104-2466	1	Holddown-Battery				

# Wire Harness Assembly



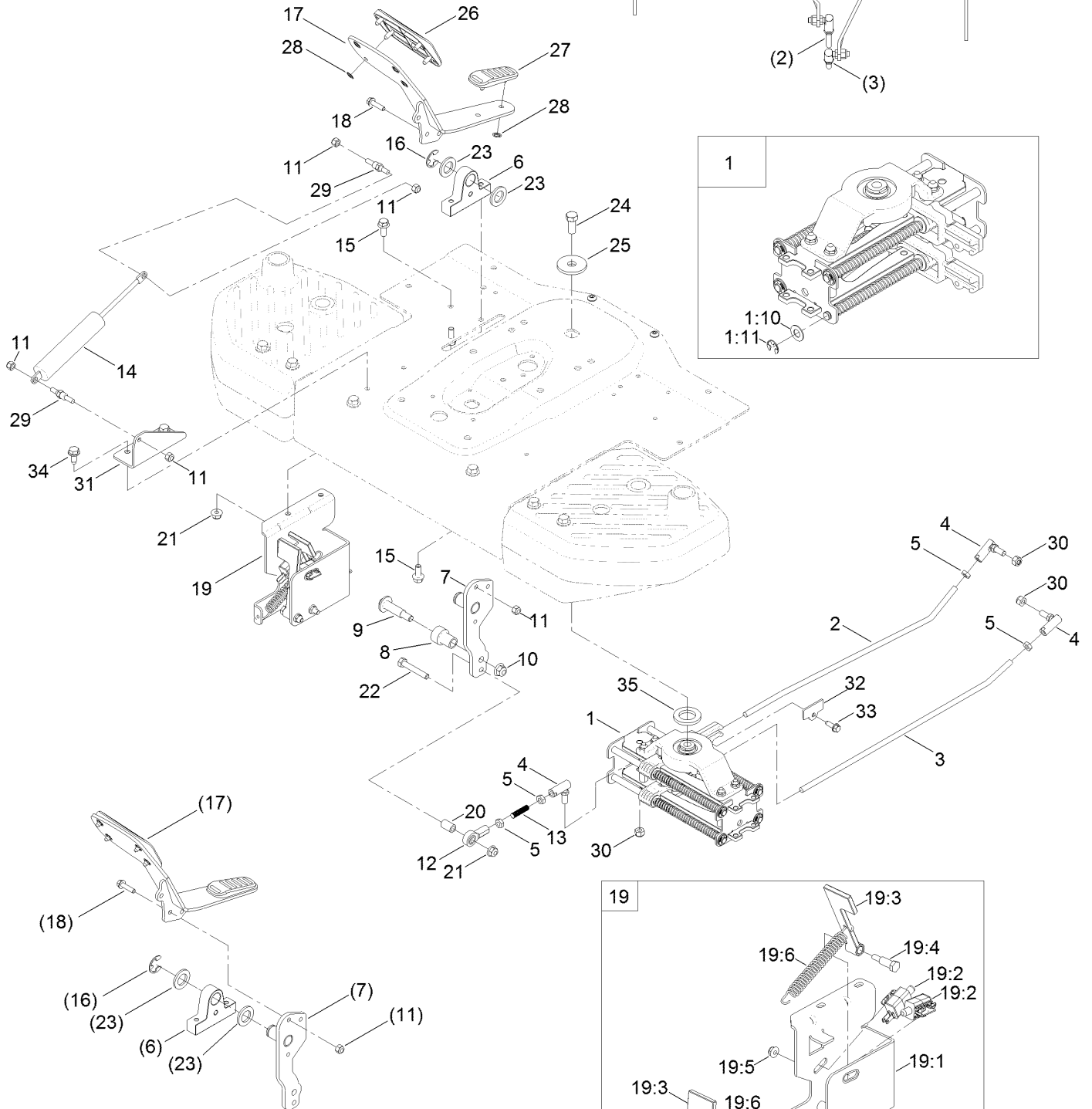
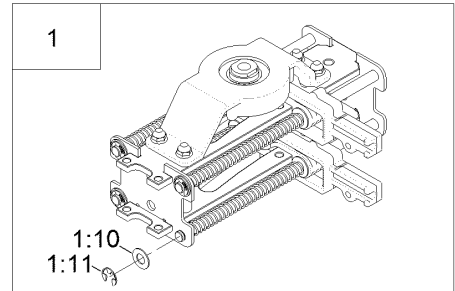
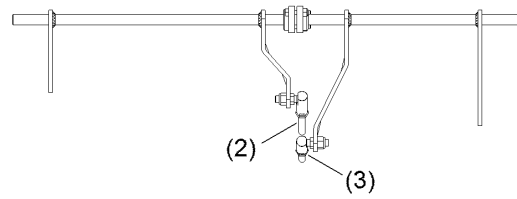


## Wire Harness Assembly (continued)

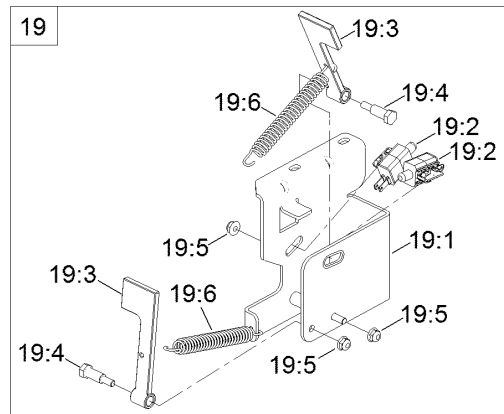
<i>Ref.</i>	<i>Part Number</i>	<i>Qty.</i>	<i>Description</i>	<i>Ref.</i>	<i>Part Number</i>	<i>Qty.</i>	<i>Description</i>
1	131-3639	1	Key-Toro	3	130-6874	1	Switch-Rocker, (On)-Off-(On)
2	130-6918	1	Harness-Wire	4	119-3068	1	Switch-Momentary, N.O.
2:1	109103	1	Fuse-Blade, 30 Amp	5	131-4136	1	Light-Indicator
2:2	109102	1	Fuse-Blade, 25 Amp				

# Speed Control Assembly

BALLJOINT ORIENTATION  
REAR VIEW



FOOT PEDAL ASSEMBLY



## Speed Control Assembly (continued)

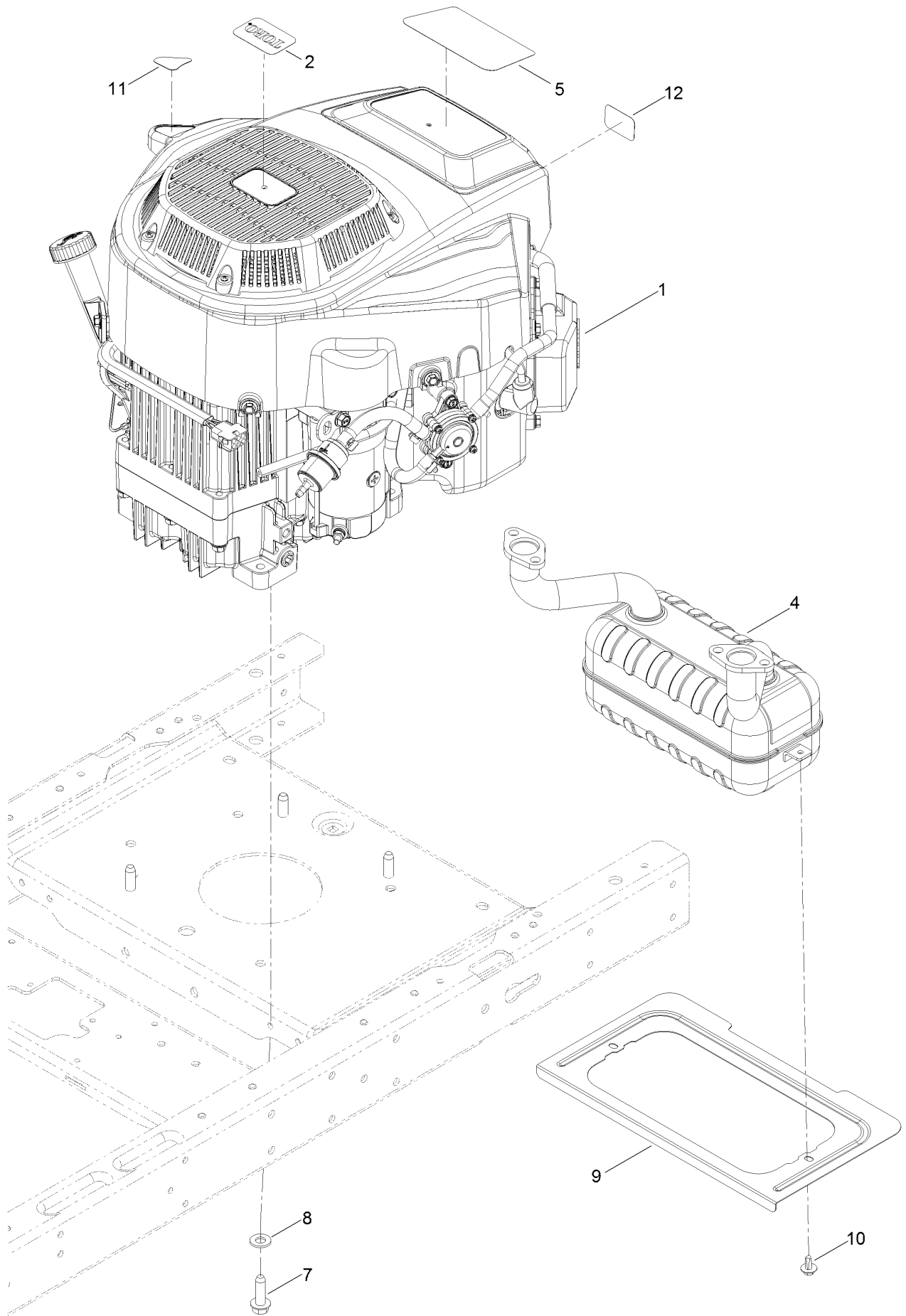
<i>Ref.</i>	<i>Part Number</i>	<i>Qty.</i>	<i>Description</i>	<i>Ref.</i>	<i>Part Number</i>	<i>Qty.</i>	<i>Description</i>
1	131-0904	1	Speed Control ASM	19:2	110-6765	2	Switch
1:10	131-8667	12	Washer-Thrust	19:3	130-0782	2	Arm-Switch
1:11	32120-18	8	E-Ring	19:4	119-2309	2	Bolt-Shoulder
2	127-0115	1	Rod-Hydro, RH	19:5	104-7201	3	Nut-HF
3	127-0116	1	Rod-Hydro, LH	19:6	120-7027	2	Spring-Extension
4	2411-33	3	Balljoint-RH (W/Grommet)	20	131-1034	1	Spacer
5	3220-2	4	Nut-Jam	21	104-8300	3	Nut-HF, NI
6	130-6887	1	Mount-Pedal Pivot	22	322-10	1	Screw-HH
7	125-5517	1	Pivot Lever ASM	23	70-1160	2	Washer
8	127-3397	1	Roller	24	324-4	1	Screw-HH
9	56-6590	1	Bolt-Wheel	25	84-1560	1	Washer-Thrust
10	104-8301	1	Nut-HF, NI	26	98-9040	1	Pad-Toe, Hydro Pedal
11	3296-42	6	Nut-Lock, NI	27	98-9039	1	Pad-Heel, Hydro Pedal
12	1-543017	1	Balljoint-RH	28	32112-6	6	Nut-Push
13	130-6906	1	Rod-Threaded	29	110-6810	2	Stud-Damper
14	131-0958	1	Damper-Non Cavitating	30	3296-4	3	Nut-Lock
15	3234-47	4	Screw-HHF	31	130-6910-03	1	Bracket-Damper
16	32151-48	1	E-Ring	32	131-1041	2	Cover-End Rod
17	125-3065-01	1	Pedal-Traction	33	32144-44	2	Screw-HWH, Thread Roll
18	120-4654	2	Screw-HHF	34	32144-70	2	Screw-HWHTF
19	131-0903	1	Neutral Return ASM	35	131-8736	1	Spacer-Bearing
19:1	132-0909-03	1	Bracket-Switch				



## Fuel Delivery Assembly (continued)

<i>Ref.</i>	<i>Part Number</i>	<i>Qty.</i>	<i>Description</i>	<i>Ref.</i>	<i>Part Number</i>	<i>Qty.</i>	<i>Description</i>
3	109-0281	1	Hose-Fuel	10	117-5399	1	Adaptor-Orifice
8	2412-98	3	Clamp-Hose	11	110-1876	1	Hose-Fuel
9	614249	1	Tie-Cable				

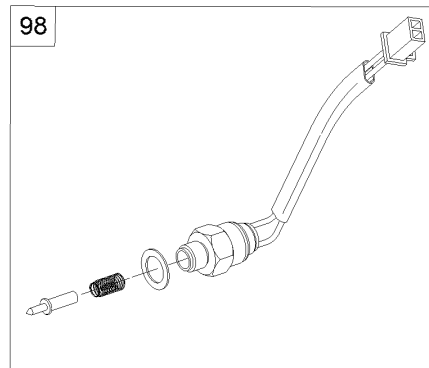
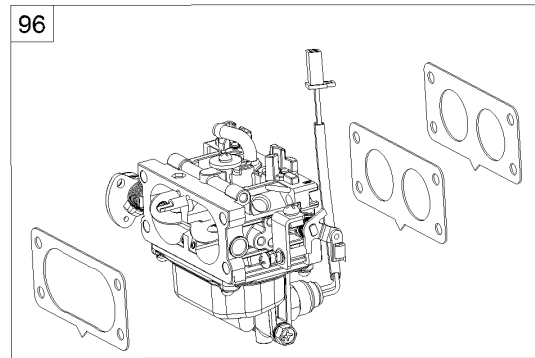
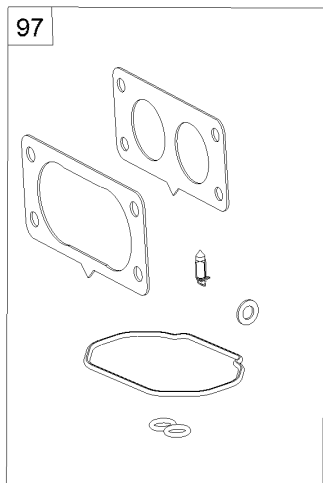
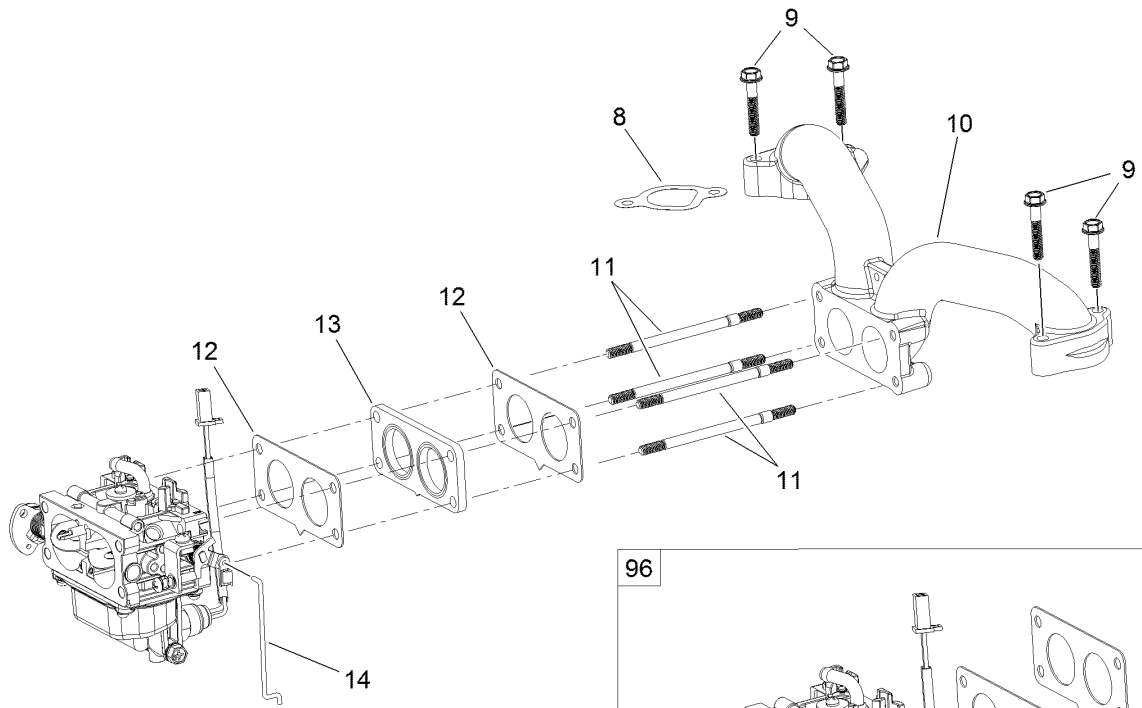
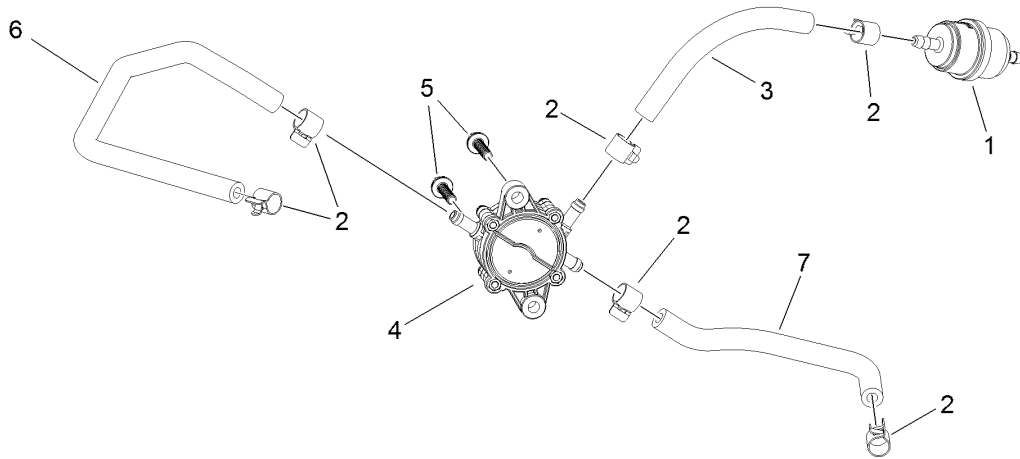
# Engine and Muffler Assembly



## Engine and Muffler Assembly (continued)

<i>Ref.</i>	<i>Part Number</i>	<i>Qty.</i>	<i>Description</i>	<i>Ref.</i>	<i>Part Number</i>	<i>Qty.</i>	<i>Description</i>
1	127-9041	1	Engine-2P77F	8	3256-24	3	Washer-Flat
2	131-4157	1	Decal	9	131-1071-03	1	Shield-Heat
4	131-4188	1	Muffler	10	46-8560	2	Screw-HHFTF
5	132-0902	1	Decal-Engine	11	131-1097	1	Decal-Drain, Oil
7	32144-109	4	Screw-Thd Form HWH	12	127-9076	1	Placard-Intake

# Fuel System Assembly Engine Assembly No. 127-9041



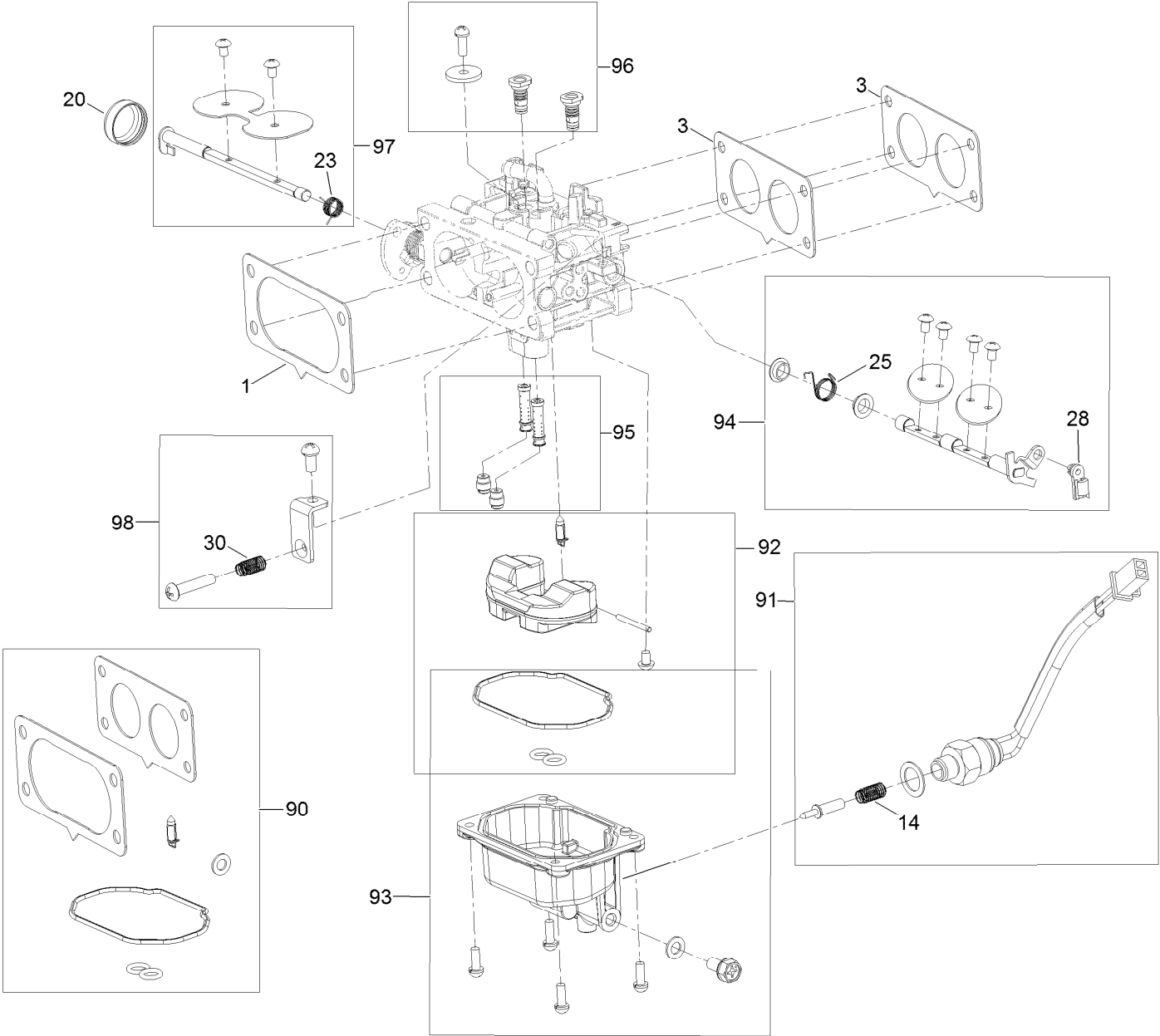


## Fuel System Assembly Engine Assembly No. 127-9041 (continued)

<i>Ref.</i>	<i>Part Number</i>	<i>Qty.</i>	<i>Description</i>	<i>Ref.</i>	<i>Part Number</i>	<i>Qty.</i>	<i>Description</i>
1	127-9204	1	Filter-Fuel	10	127-9244	1	Manifold-Intake
2	120-4251	6	Clamp-Fuel Line	11	127-9245	4	Stud
3	120-4371	1	Line-Fuel	12	127-9246	2	Gasket-Carburetor
4	127-9206	1	Pump-Fuel	13	127-9247	1	Insulator-Carburetor
5	120-4225	2	Screw-HHF	14	127-9248	1	Linkage-Throttle
6	127-9205	1	Hose-Fuel	96	127-9289	1	Carburetor Replacement Kit
7	127-9207	1	Hose-Fuel	97	127-9290	1	Carburetor Repair Kit
8	127-9230	2	Gasket-Intake	98	127-9292	1	Solenoid Kit
9	120-4284	4	Screw-HHF				

# Carburetor Assembly No. 127-9249

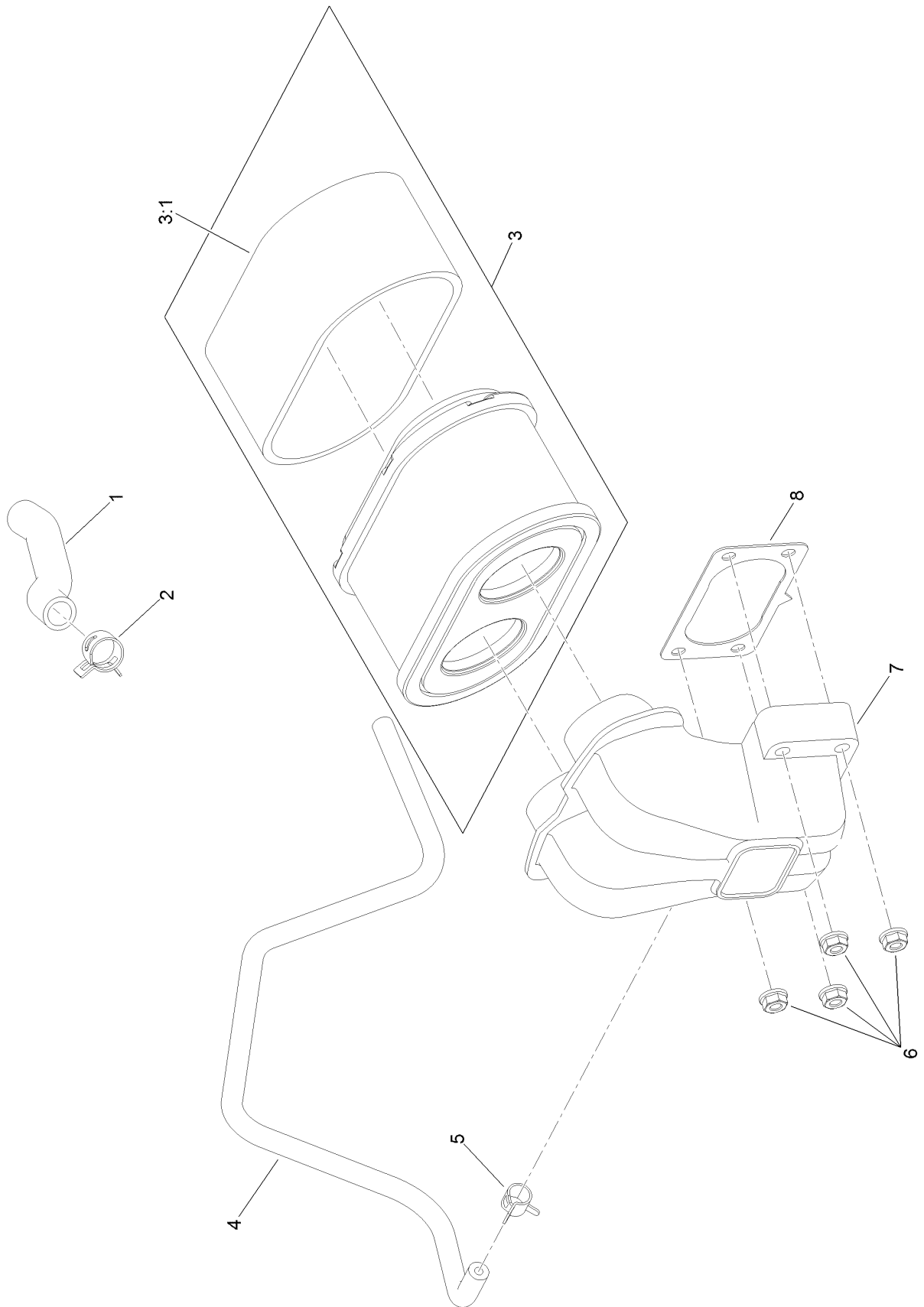
## Engine Assembly No. 127-9041



## Carburetor Assembly No. 127-9249 Engine Assembly No. 127-9041 (continued)

<i>Ref.</i>	<i>Part Number</i>	<i>Qty.</i>	<i>Description</i>	<i>Ref.</i>	<i>Part Number</i>	<i>Qty.</i>	<i>Description</i>
1	127-9251	1	Gasket-Carburetor	91	127-9292	1	Solenoid Kit
3	127-9246	2	Gasket-Carburetor	92	127-9340	1	Float Kit
14	127-9319	1	Spring	93	127-9341	1	Bowl Kit
20	127-9325	1	Cover-Shaft, Choke	94	127-9342	1	Throttle Shaft Kit
23	127-9328	1	Spring	95	127-9343	1	Nozzle And Jet Kit
25	127-9330	1	Spring	96	127-9344	1	Air Jet Kit
28	127-9333	1	Clamp-Lock	97	127-9345	1	Choke Shaft Kit
30	127-9335	1	Spring	98	127-9347	1	Idlestop Kit
90	127-9290	1	Carburetor Repair Kit				

# Air Intake and Filtration Assembly Engine Assembly No. 127-9041

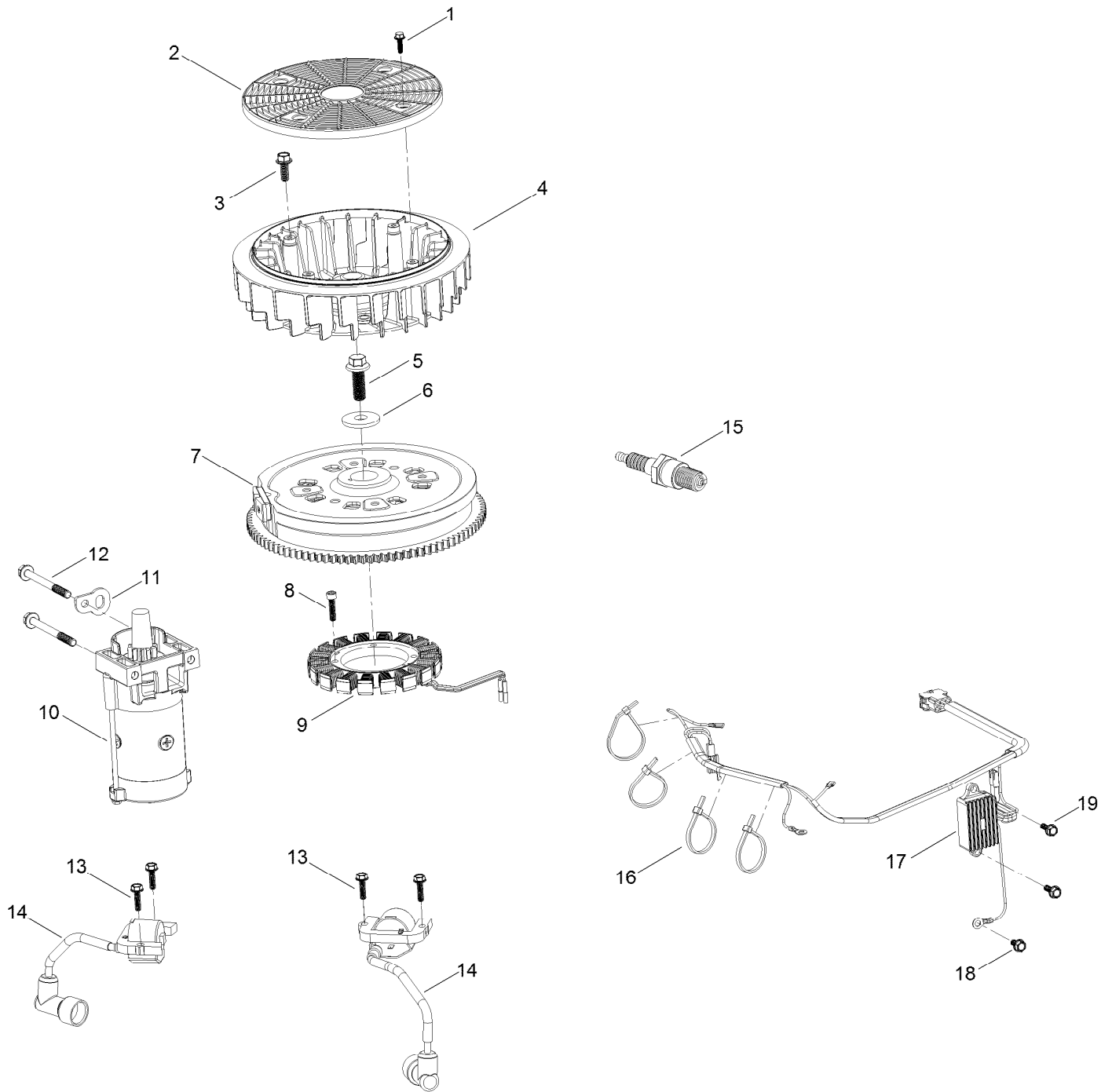


## Air Intake and Filtration Assembly Engine Assembly No. 127-9041 (continued)

<i>Ref.</i>	<i>Part Number</i>	<i>Qty.</i>	<i>Description</i>
1	127-9235	1	Tube-Breather
2	127-9234	2	Clamp-Hose
3	127-9252	1	Filter-Air, Complete
3:1	127-9288	1	Filter-Pre, Foam
4	127-9253	1	Hose-Fuel

<i>Ref.</i>	<i>Part Number</i>	<i>Qty.</i>	<i>Description</i>
5	127-9187	1	Clamp-Hose
6	120-4236	4	Nut-Flange
7	127-9047	1	Manifold-Filter, Air
8	127-9251	1	Gasket-Carburetor

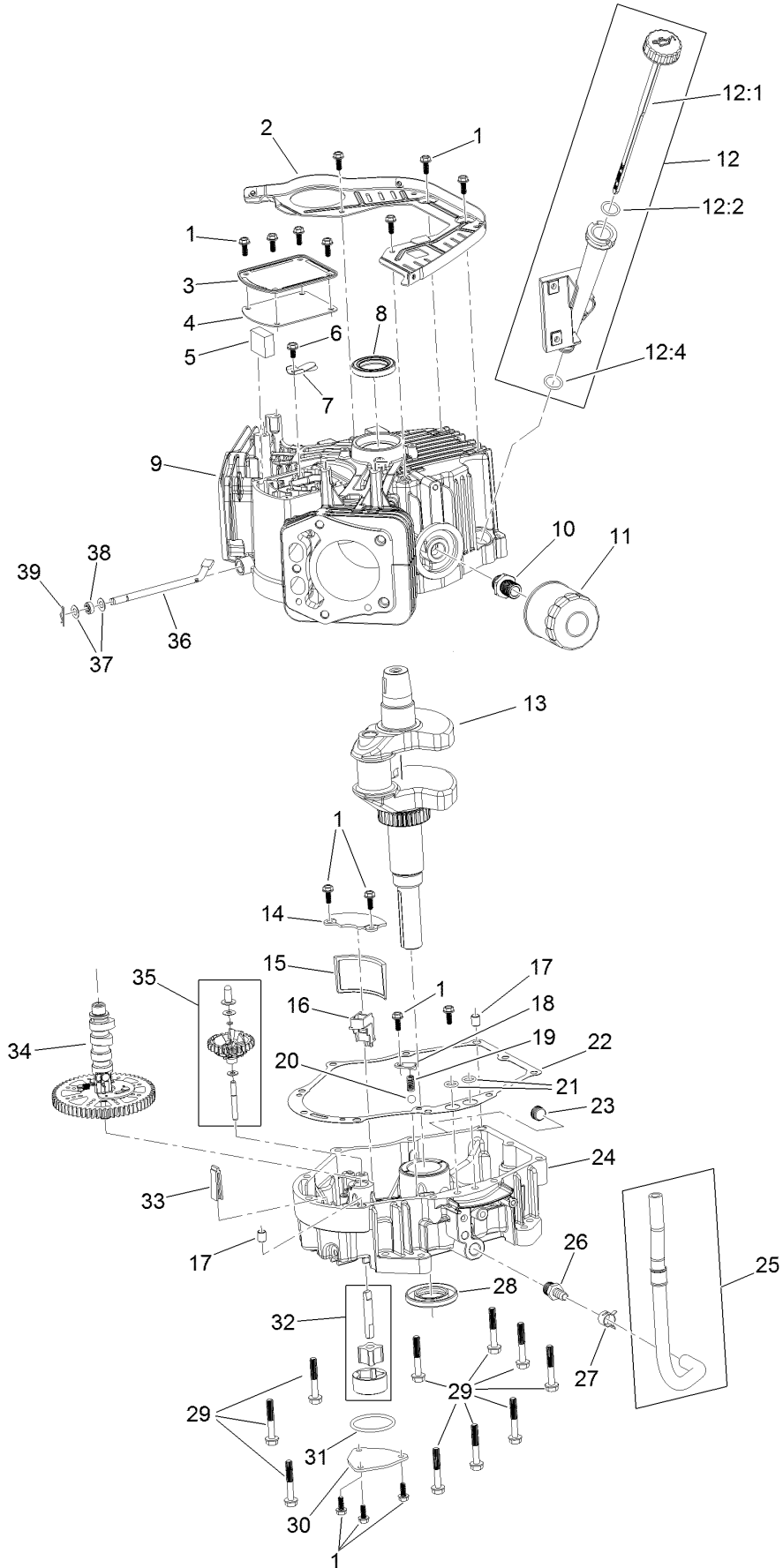
# Ignition and Electrical Engine Assembly No. 127-9041



## Ignition and Electrical Engine Assembly No. 127-9041 (continued)

<i>Ref.</i>	<i>Part Number</i>	<i>Qty.</i>	<i>Description</i>	<i>Ref.</i>	<i>Part Number</i>	<i>Qty.</i>	<i>Description</i>
1	127-9197	4	Screw-HWH	11	127-9208	1	Bracket-Lift
2	127-9198	1	Screen-Rotating	12	120-4231	2	Screw-HHF
3	127-9199	4	Screw-HWH	13	121-0007	4	Bolt-Flange
4	127-9200	1	Fan-Cooling	14	127-9216	2	Ignition Coil ASM
5	127-9201	1	Screw-HWH	15	81-3250	2	Spark Plug
6	127-9202	1	Washer-Flat	16	127-9220	4	Tie-Zip
7	127-9306	1	Flywheel	17	127-9219	1	Regulator-Voltage W/Harness
8	127-9210	4	Screw-HSH	18	120-4216	1	Screw-HHF
9	127-9211	1	Alternator	19	120-4232	2	Screw-HHF
10	127-9209	1	Motor-Starter				

# Crankcase and Crankshaft Assembly Engine Assembly No. 127-9041

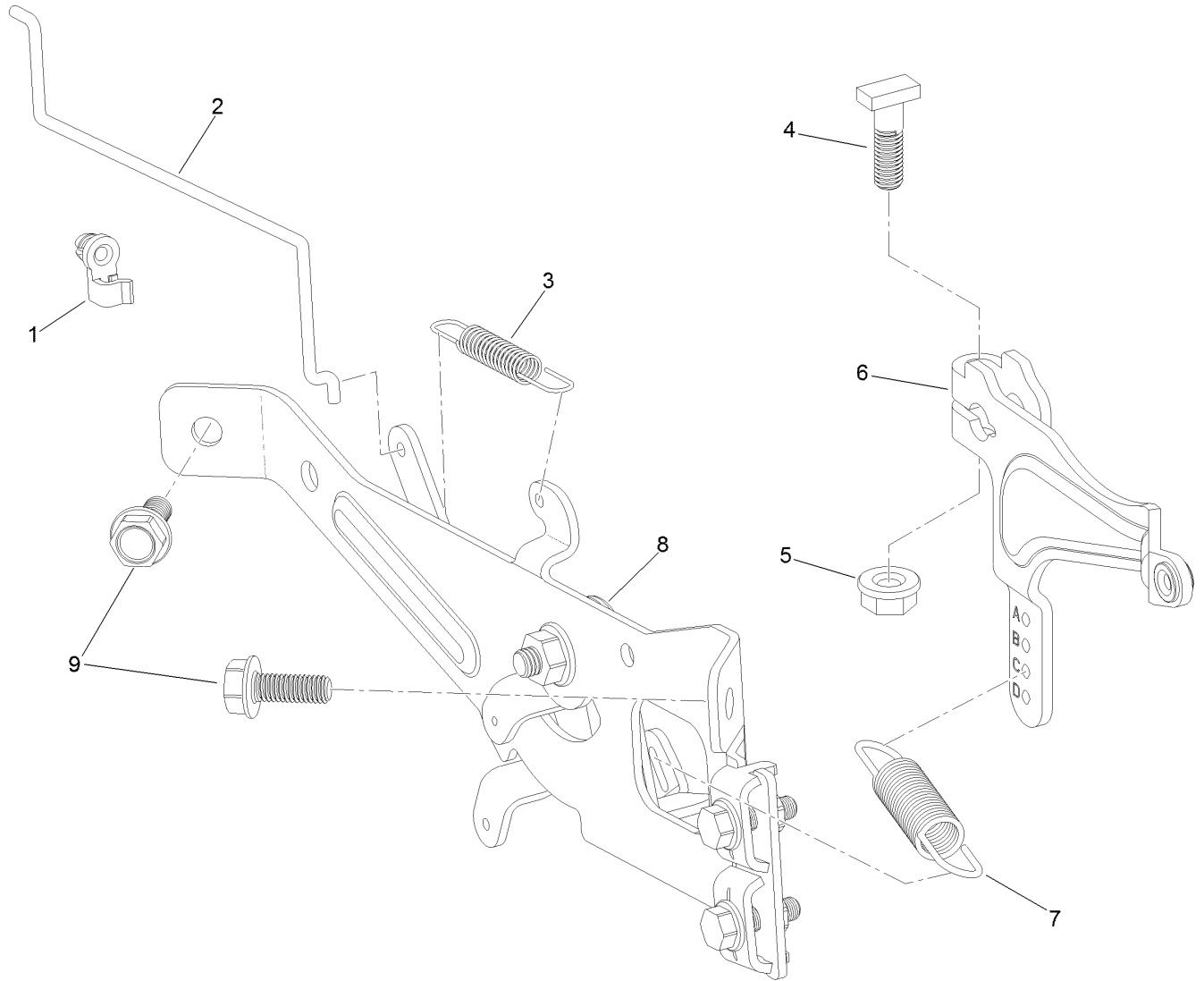




## Crankcase and Crankshaft Assembly Engine Assembly No. 127-9041 (continued)

<i>Ref.</i>	<i>Part Number</i>	<i>Qty.</i>	<i>Description</i>	<i>Ref.</i>	<i>Part Number</i>	<i>Qty.</i>	<i>Description</i>
1	120-4232	14	Screw-HHF	19	127-9265	1	Spring
2	127-9212	1	Baffle	20	127-9266	1	Valve-Ball
3	127-9213	1	Cover-Breather	21	120-4262	2	O-Ring
4	127-9214	1	Gasket-Breather	22	127-9267	1	Gasket-Cover, Crankcase
5	127-9215	1	Filter-Breather	23	120-4285	1	Plug-Drain
6	120-4216	1	Screw-HHF	24	127-9268	1	Cover-Crankcase
7	127-9217	1	Valve-Breather	25	127-9293	1	Oil Drain Hose ASM
8	120-4267	1	Seal-Oil	26	127-9275	1	Fitting-Hose
9	127-9223	1	Crankcase	27	127-9276	1	Clamp-Hose
10	127-9221	1	Fitting-Threaded, Oil Filter	28	127-9271	1	Seal
11	120-4276	1	Filter-Oil	29	121-0473	10	Screw-HHF
12	127-9218	1	Oil Tube ASM	30	127-9274	1	Cover-Oil Pump
12:1	127-9283	1	Dipstick	31	127-9273	1	O-Ring
12:2	127-9284	1	O-Ring	32	127-9272	1	Oil Pump ASM
12:4	127-9286	1	O-Ring	33	120-4275	1	Deflector-Oil, Rubber
13	127-9255	1	Crankshaft	34	127-9269	1	Camshaft
14	127-9261	1	Cover-Screen, Oil	35	127-9270	1	Governor ASM
15	127-9262	1	Screen-Oil	36	127-9238	1	Shaft-Governor
16	127-9263	1	Retainer-Screen	37	120-4258	2	Washer-Plain
17	120-4274	2	Pin-Dowel	38	120-4257	1	Seal-Oil
18	127-9264	1	Plate-Retainer	39	120-4256	1	Pin-Hair

# Governor Control Assembly Engine Assembly No. 127-9041



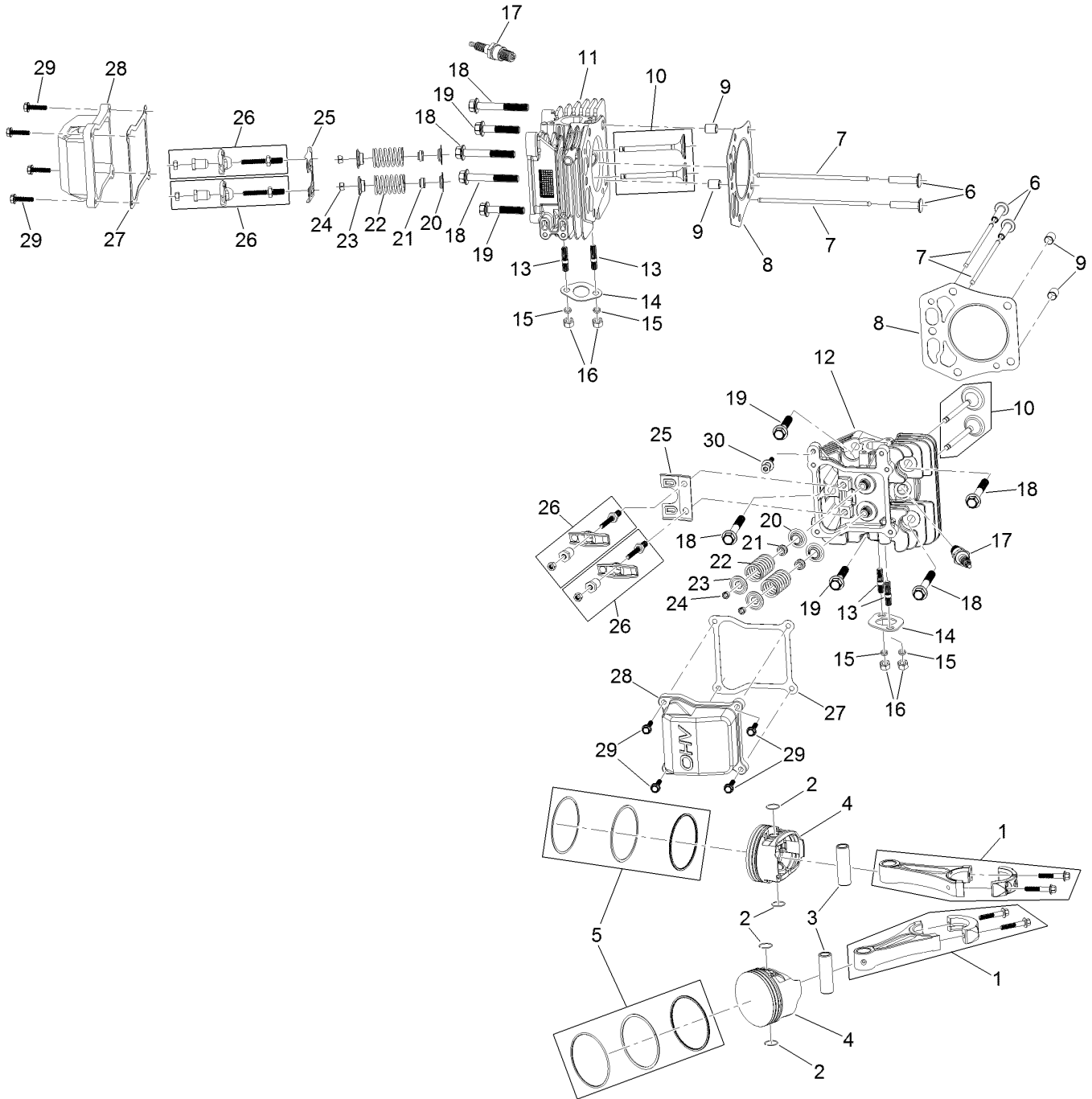
# Governor Control Assembly Engine Assembly No. 127-9041 (continued)

<i>Ref.</i>	<i>Part Number</i>	<i>Qty.</i>	<i>Description</i>
1	127-9250	1	Clip-Linkage
2	127-9242	1	Linkage-Choke
3	127-9241	1	Spring-Governor
4	120-4238	1	Bolt-Arm, Governor
5	120-4236	1	Nut-Flange

<i>Ref.</i>	<i>Part Number</i>	<i>Qty.</i>	<i>Description</i>
6	127-9239	1	Arm-Governor
7	127-9240	1	Spring-Governor
8	127-9243	1	Plate-Control
9	120-4232	2	Screw-HHF

# Piston and Cylinder Head Assembly

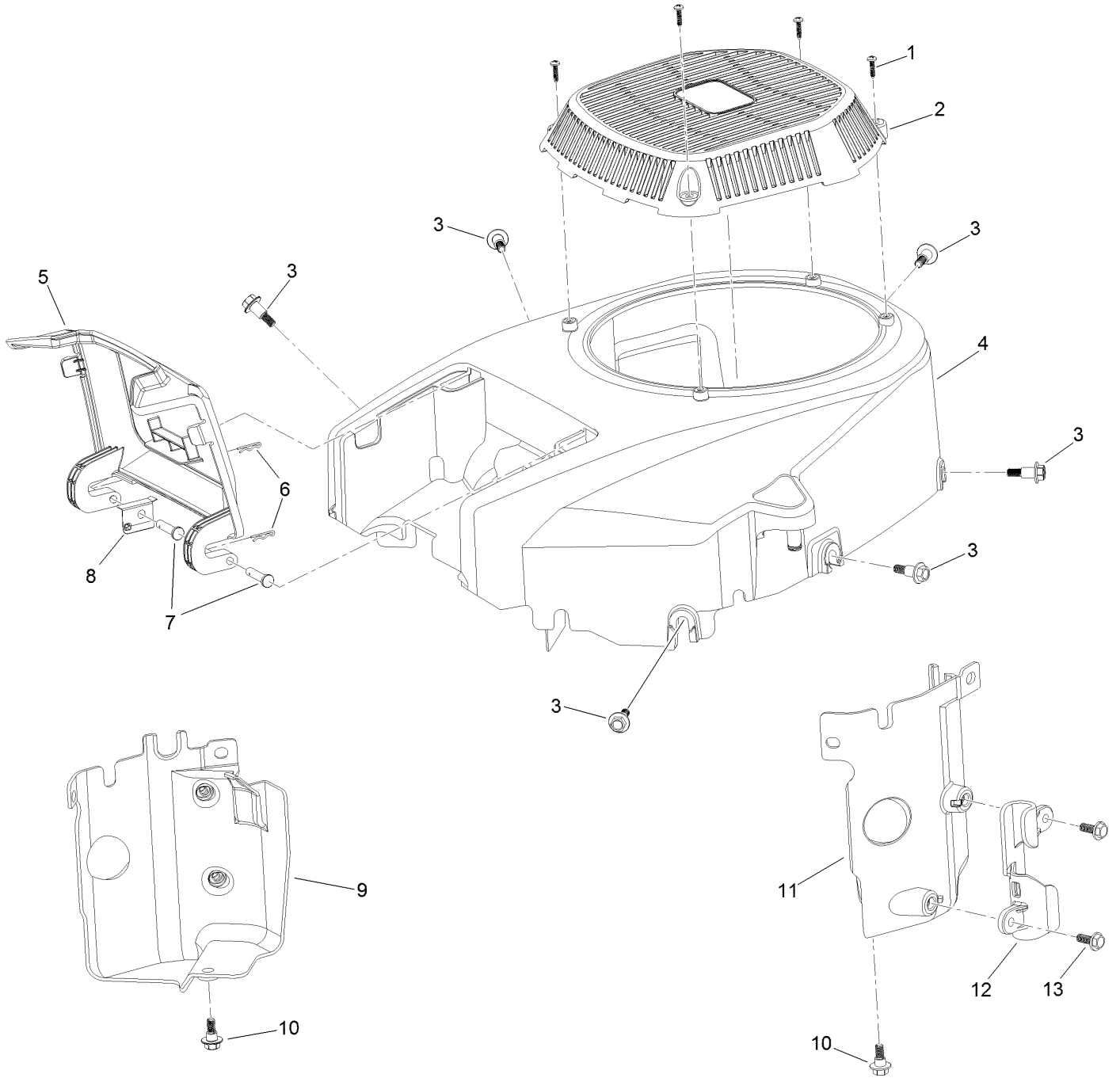
## Engine Assembly No. 127-9041



## Piston and Cylinder Head Assembly Engine Assembly No. 127-9041 (continued)

<i>Ref.</i>	<i>Part Number</i>	<i>Qty.</i>	<i>Description</i>	<i>Ref.</i>	<i>Part Number</i>	<i>Qty.</i>	<i>Description</i>
1	127-9256	2	Connecting Rod ASM	16	121-0199	4	Nut-HH
2	127-9258	4	Clip-Pin, Piston	17	81-3250	2	Spark Plug
3	127-9257	2	Pin-Piston	18	127-9231	6	Screw-HWH
4	127-9259	2	Piston	19	127-9232	4	Screw-HWH
5	127-9260	2	Piston Ring Set	20	120-4303	4	Seat-Spring, Valve
6	127-9224	4	Lifter-Valve	21	120-4304	4	Seal-Stem, Valve
7	127-9225	4	Rod-Push	22	120-4305	4	Spring-Valve
8	127-9226	2	Gasket-Head, Cylinder	23	120-4306	4	Retainer-Spring, Valve
9	127-9227	4	Pin-Dowel	24	120-4307	4	Keeper-Valve
10	127-9228	2	Valve Set	25	127-9233	2	Plate-Guide, Push Rod
11	127-9229	1	Head-Cylinder	26	127-9294	4	Rocker Arm ASM
12	127-9254	1	Head-Cylinder	27	127-9295	2	Gasket-Valve Cover
13	127-9236	4	Stud	28	127-9050	2	Cover-Valve
14	120-4317	2	Gasket-Exhaust	29	120-4225	8	Screw-HHF
15	127-9279	4	Washer-Lock, Split	30	120-4214	1	Screw-Shoulder, HH

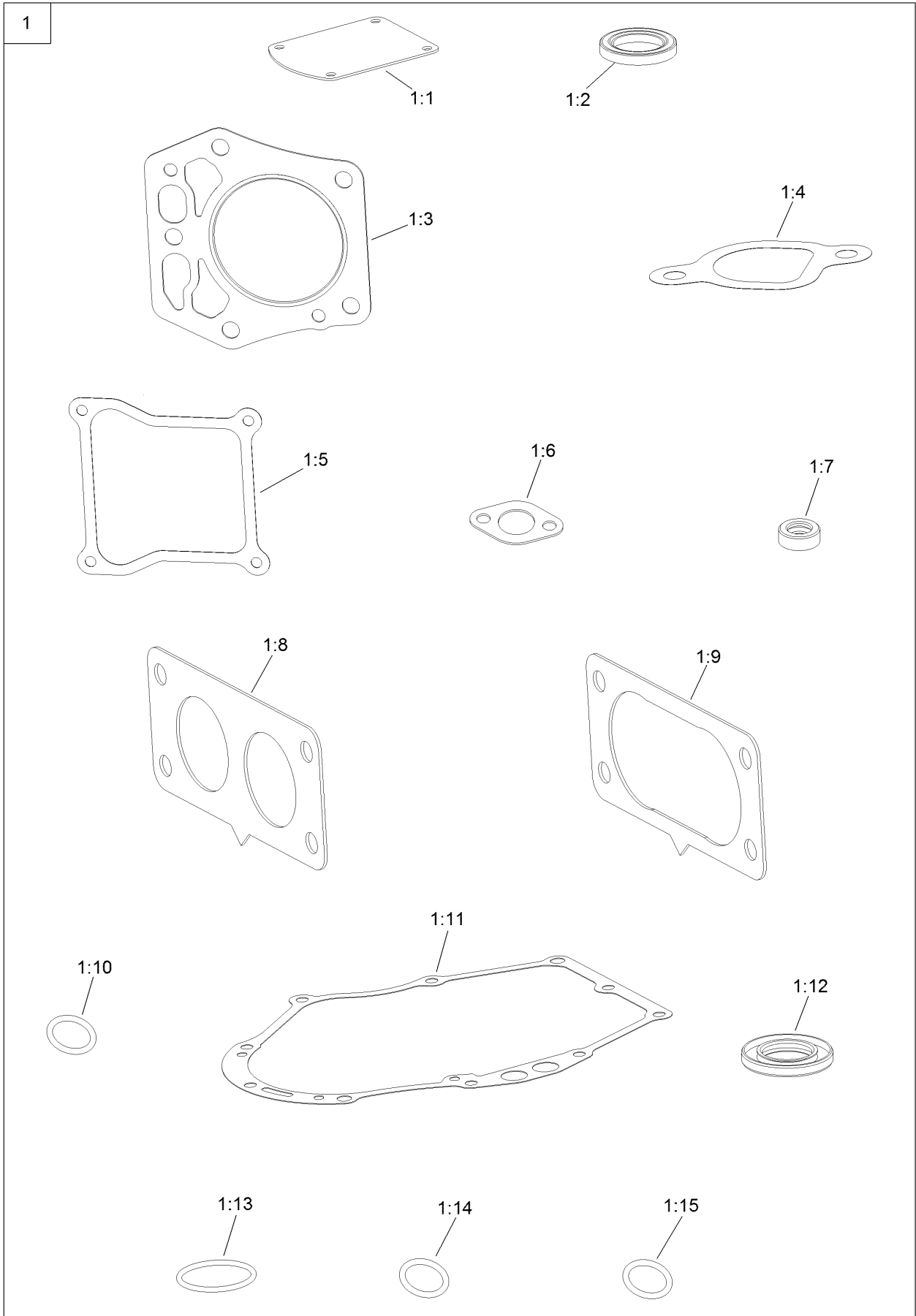
# Blower Housing Assembly Engine Assembly No. 127-9041



## Blower Housing Assembly Engine Assembly No. 127-9041 (continued)

<i>Ref.</i>	<i>Part Number</i>	<i>Qty.</i>	<i>Description</i>	<i>Ref.</i>	<i>Part Number</i>	<i>Qty.</i>	<i>Description</i>
1	127-9195	4	Screw-Plastic, PPH	8	127-9281	1	Plate-Spring
2	127-9045	1	Cover-Fan	9	127-9049	1	Baffle-Air, Left
3	127-9196	6	Screw-Shoulder, HWH	10	120-4210	2	Screw-Shoulder, HHF
4	127-9044	1	Shroud-Engine	11	127-9048	1	Baffle-Air, Right
5	127-9046	1	Door-Filter, Air	12	127-9287	1	Cleat-Hose
6	127-9280	2	Pin-Hair	13	120-4232	2	Screw-HHF
7	127-9282	2	Pin				

# Gasket and Seal Kit Engine Assembly No. 127-9041



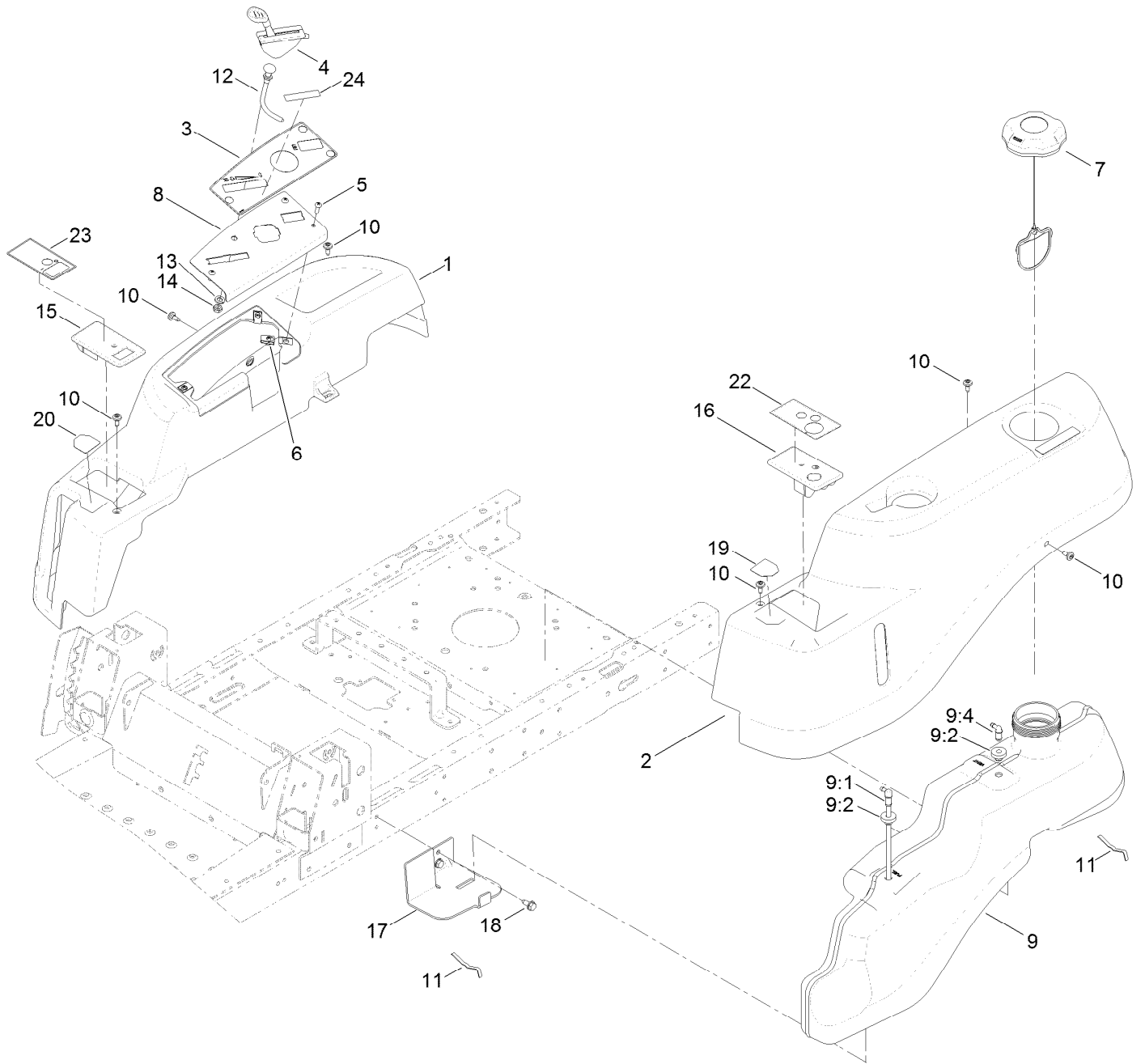


## Gasket and Seal Kit

### Engine Assembly No. 127-9041 (continued)

<i>Ref.</i>	<i>Part Number</i>	<i>Qty.</i>	<i>Description</i>	<i>Ref.</i>	<i>Part Number</i>	<i>Qty.</i>	<i>Description</i>
1	127-9296	1	Gasket And Seal Kit	1:8	127-9246	2	Gasket-Carburetor
1:1	127-9214	1	Gasket-Breather	1:9	127-9251	1	Gasket-Carburetor
1:2	120-4267	1	Seal-Oil	1:10	120-4262	2	O-Ring
1:3	127-9226	2	Gasket-Head, Cylinder	1:11	127-9267	1	Gasket-Cover, Crankcase
1:4	127-9230	2	Gasket-Intake	1:12	127-9271	1	Seal
1:5	127-9295	2	Gasket-Valve Cover	1:13	127-9273	1	O-Ring
1:6	120-4317	2	Gasket-Exhaust	1:14	127-9284	1	O-Ring
1:7	120-4257	1	Seal-Oil	1:15	127-9286	1	O-Ring

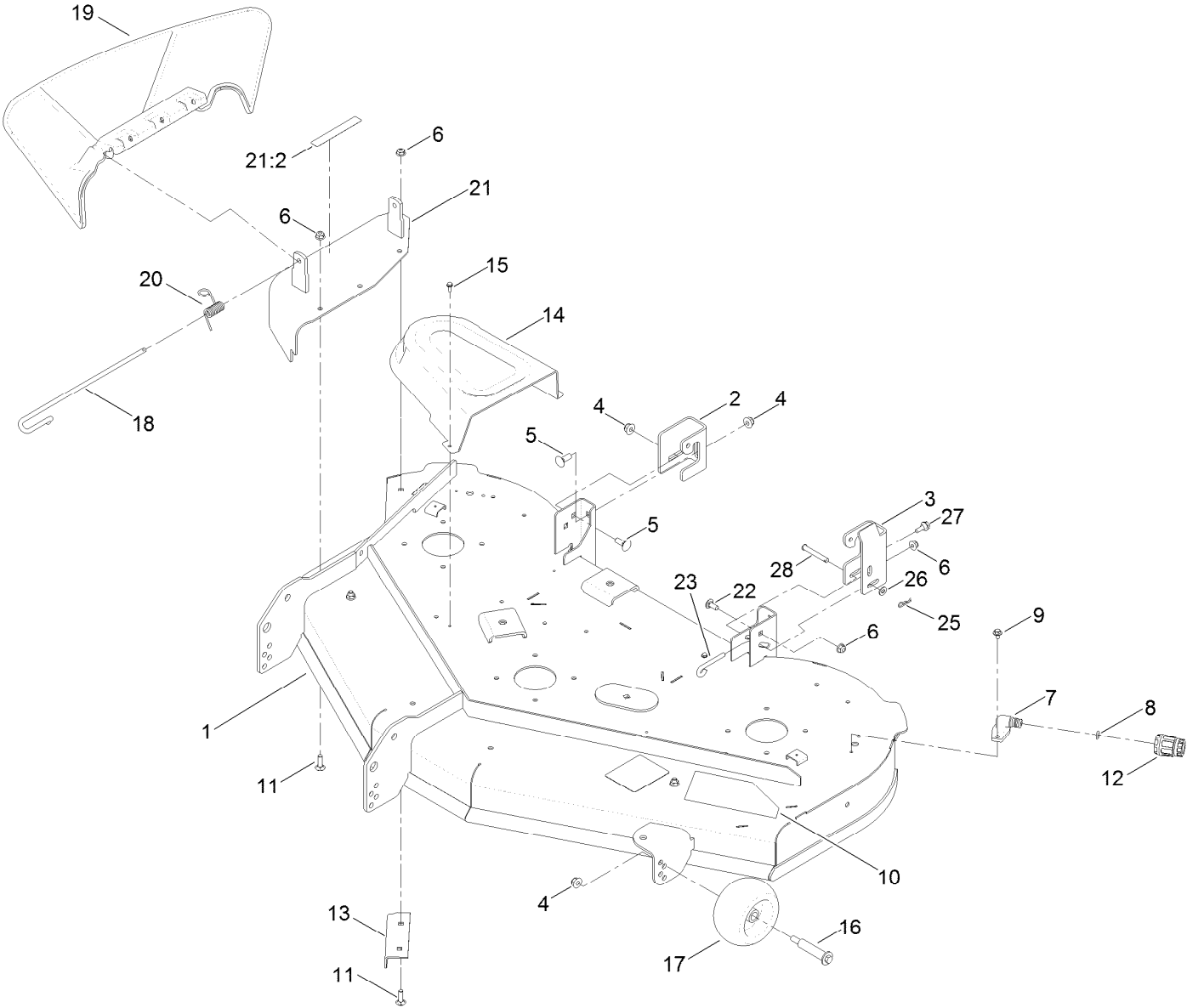
# Body Styling and Fuel Tank Assembly



## Body Styling and Fuel Tank Assembly (continued)

<i>Ref.</i>	<i>Part Number</i>	<i>Qty.</i>	<i>Description</i>	<i>Ref.</i>	<i>Part Number</i>	<i>Qty.</i>	<i>Description</i>
1	119-3338	1	Pod-RH	11	609830	2	Spring
2	119-3337	1	Pod-LH	12	112-9753	1	Cable-Choke
3	121-0773	1	Decal-Panel, Control	13	3253-21	1	Washer-Lock
4	121-0769	1	Cable-Throttle	14	3220-3	1	Nut-HJ
5	3258-166	3	Screw-PRH	15	130-7039	1	Cover-RH
6	107069	3	Clip	16	130-7040	1	Cover-LH
7	120-5461	1	Cap-Fuel, Ratcheting	17	119-3395-03	1	Support-Tank, Front
8	119-3377-03	1	Plate-Control	18	32144-70	2	Screw-HWHTF
9	119-3324	1	Fuel Tank ASM	19	131-3621	1	Decal-Nmir
9:1	121-0793	1	Connector-Elbow, 90 DEG	20	131-3620	1	Decal-Control, Pedal
9:2	46-6560	2	Bushing	22	131-3665	1	Decal-Keychoice
9:4	117-7400	1	Fitting-Plastic	23	131-3954	1	Decal-Brake, Parking
10	120-7950	8	Screw-Shoulder	24	132-0904	1	Decal-Shutdown

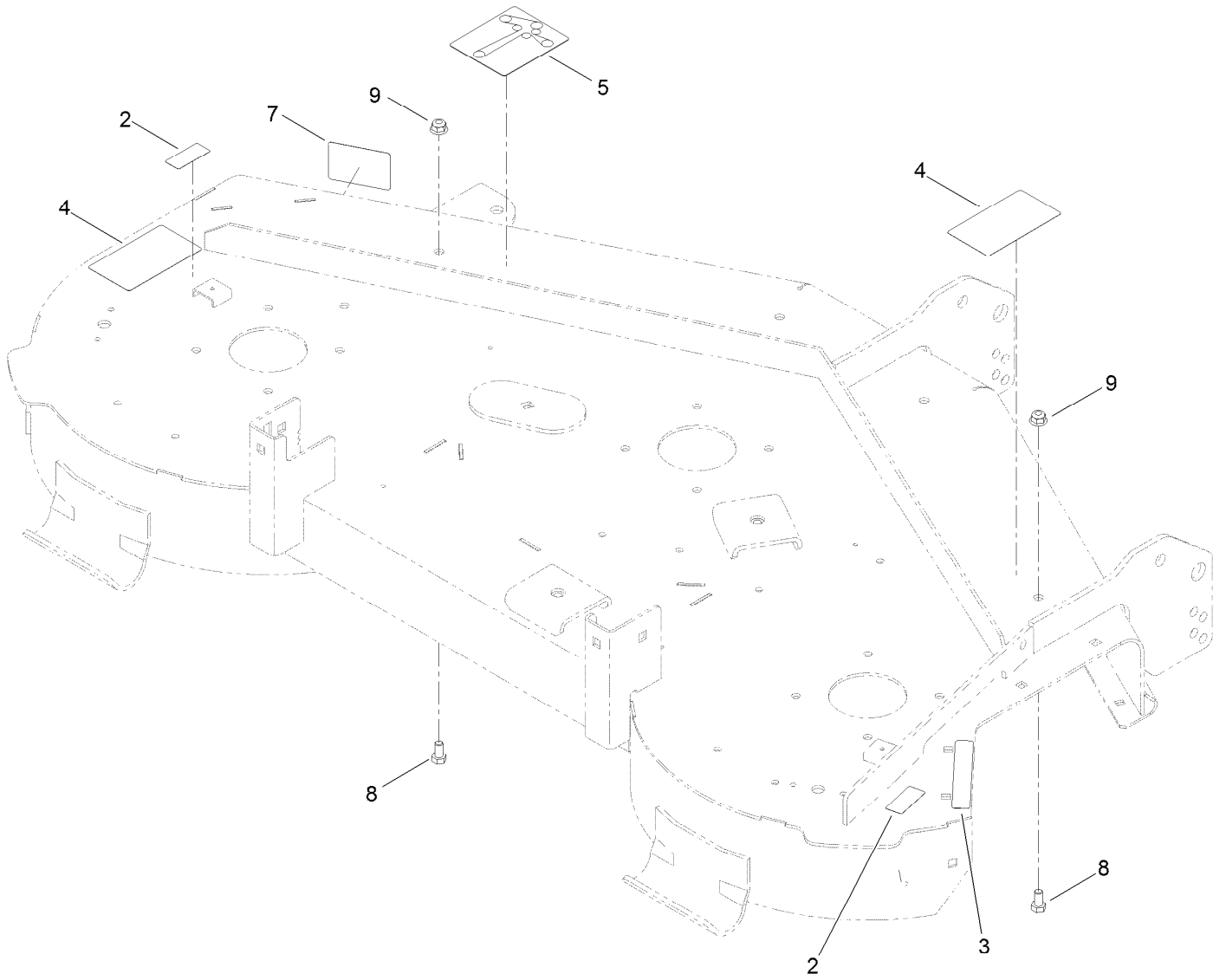
# 50 Inch Deck Assembly



## 50 Inch Deck Assembly (continued)

<i>Ref.</i>	<i>Part Number</i>	<i>Qty.</i>	<i>Description</i>	<i>Ref.</i>	<i>Part Number</i>	<i>Qty.</i>	<i>Description</i>
1	131-3612	1	50 Inch Deck And Decal ASM	15	32144-1	6	Screw-Taptite
2	131-4138	1	Bracket-Hanger, RH	16	112-3977	3	Bolt-Shoulder
3	131-3935	1	Bracket-Hanger, LH	17	1-603299	3	Roller-Scalp, Anti
4	104-8301	5	Nut-HF, NI	18	109-8854	1	Pin-Chute
5	3231-2	2	Bolt-CARR	19	121-0739	1	Deflector-Discharge
6	104-8300	6	Nut-HF, NI	20	121-2983	1	Spring-Torsion
7	95-2747	2	Fitting-Washout	21	131-3962	1	Cover ASM W/Decal
8	46-6290	2	O-Ring	21:2	93-7009	1	Decal-Danger
9	46-8560	4	Screw-HHFTF	22	3230-23	1	Screw-CARR
10	121-0792	1	Decal-Deck	23	131-0955	1	Rod-Level, Deck
11	3230-22	4	Screw-CARR	25	1-806003	1	Pin-Cotter
12	95-3270	1	Connector-Hose	26	3256-23	1	Washer-Plain
13	120-7951-03	1	Baffle-Cutoff	27	120-7024	1	Screw-Shoulder, HHF
14	108-7890	2	Cover-Belt	28	110-0618	1	Pin-Clevis

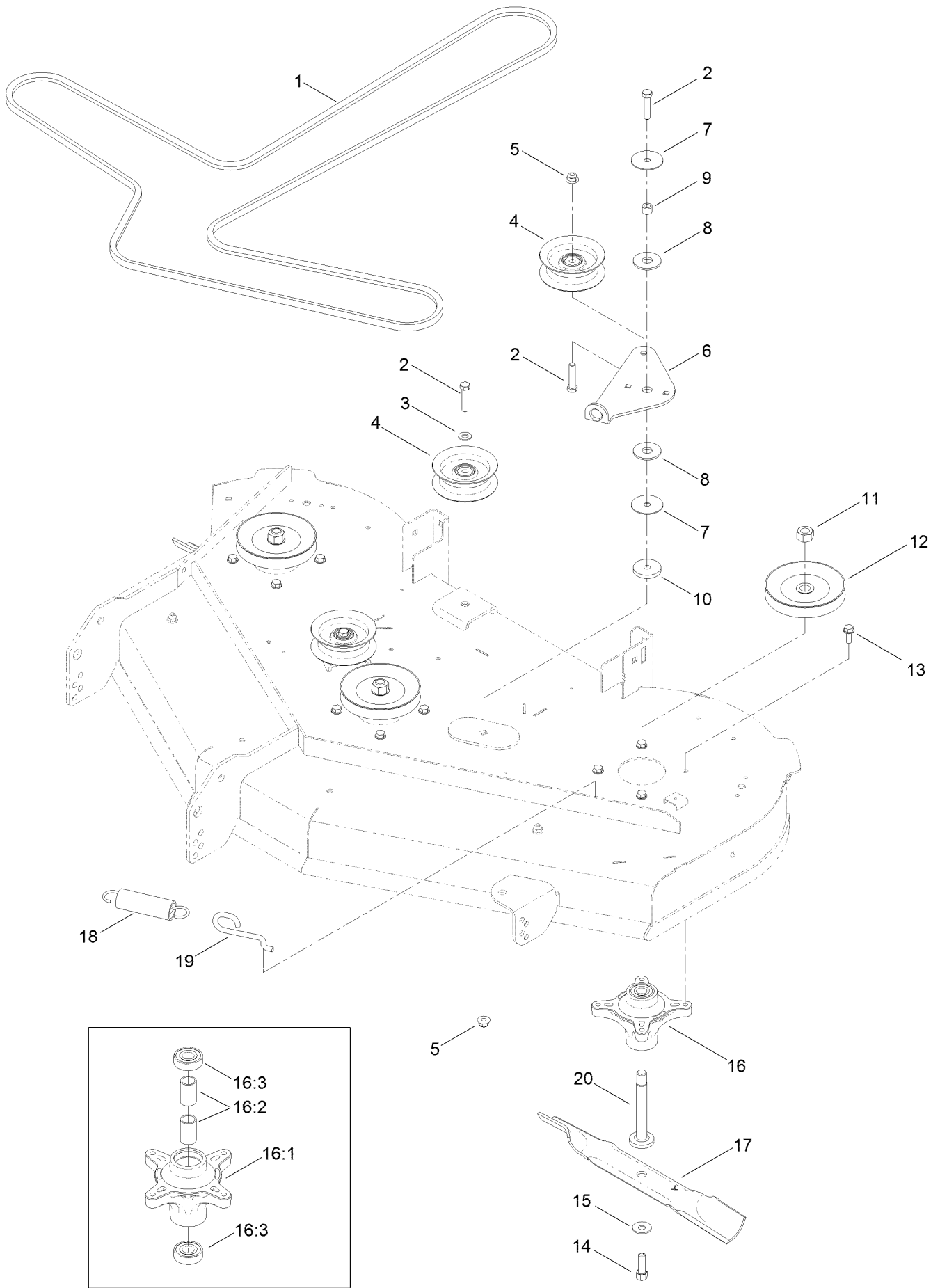
# 50 Inch Deck and Decal Assembly No. 131-3612



# 50 Inch Deck and Decal Assembly No. 131-3612 (continued)

<i>Ref.</i>	<i>Part Number</i>	<i>Qty.</i>	<i>Description</i>	<i>Ref.</i>	<i>Part Number</i>	<i>Qty.</i>	<i>Description</i>
2	114-1606	2	Decal-Danger	7	112-9840	1	Decal-Scalp, Anti
3	93-7009	1	Decal-Danger	8	322-2	2	Screw-HH
4	110-6691	2	Decal-Danger	9	104-8300	2	Nut-HF, NI
5	99-3943	1	Decal-Routing, Belt				

# 50 Inch Deck Belt, Spindle and Blade Assembly





## 50 Inch Deck Belt, Spindle and Blade Assembly (continued)

<i>Ref.</i>	<i>Part Number</i>	<i>Qty.</i>	<i>Description</i>	<i>Ref.</i>	<i>Part Number</i>	<i>Qty.</i>	<i>Description</i>
1	119-8820	1	V-Belt	13	32144-41	12	Screw-Taptite
2	323-9	4	Screw-HH	14	26-0671	3	Screw-HH
3	3256-24	2	Washer-Flat	15	3290-465	3	Washer-Belleville
4	106-2175	3	Pulley-Idler, Flat	16	121-0751	3	Spindle ASM
5	104-8301	2	Nut-HF, NI	16:1	117-7267	1	Spindle
6	114-8540	1	Arm-Idler	16:2	120-7935	2	Spacer
7	120-2229	2	Washer	16:3	100-1048	2	Bearing-Ball
8	114-0463	2	Washer-Friction, Composite	17	115-5059-03	3	Blade-Hi Lift
9	115-4986	1	Spacer	18	1-603414	1	Spring-Extension
10	110-9981	1	Washer-Plain	19	112-3973	1	Hook-Return, Spring
11	3219-6	3	Nut-Hex	20	117-7268	3	Shaft-Spindle
12	125-5575	3	Pulley				

# Attachments and Accessories

## For 74797 TimeCutter SWX 5050 Riding Mower

<b>Product Name</b>	<b>Model/Part</b>
Hypr-Oil 500 (quart) .....	114-4713
All Season Synthetic Oil.....	117-0066
Fuel Stabilizer (4oz).....	117-0089
Fuel Stabilizer (16oz).....	117-0090
Seat Cover w/Arm Rest .....	117-0097
Bagging Enhancement Kit .....	121-5692
Striping Kit .....	121-5706
Attachment Mount Kit .....	131-3966
10w30 4-cycle Engine Oil (32oz Bottle) .....	38280
Toro 4-cycle SAE 30 Oil (32oz Bottle) .....	38903
Storage Cover .....	490-7516
Blade Kit .....	79016P
50in Recycler Kit.....	79024
Cargo Carrier.....	79040
50in Bagger .....	79386

**Notes:**



**Count on it.**