



Count on it.

Parts Catalog

**11-Blade DPA Reel Mower,
Greensmaster® 3300 or 3400
Series Traction Unit**

Model No. 04653—Serial No. 400527133 and Up



Ordering Replacement Parts

To order replacement parts, please supply the part number, the quantity, and the description of each part desired.

Understanding Reference Numbers

Each identified part in an illustration has a reference number. The reference number for a part also appears in the parts list, along with other information about the part.

This catalog uses two special reference number formats, one to indicate parts in a service assembly and another to indicate the quantity of a given part in an illustration.

Service Assembly Reference Numbers

Parts in service assemblies have reference numbers in the form a:b. The a represents the reference number of the entire service assembly and the b represents a sequential number unique to each part within the service assembly.

For example, a wheel assembly might be identified by reference number 6, the tire by 6:1, the valve by 6:2, and the wheel by 6:3. When you order the assembly identified by reference number 6, you receive all parts identified by reference numbers 6:1, 6:2, and 6:3. However, you may also order any part individually. Reference numbers of this type appear in illustration and in parts lists.

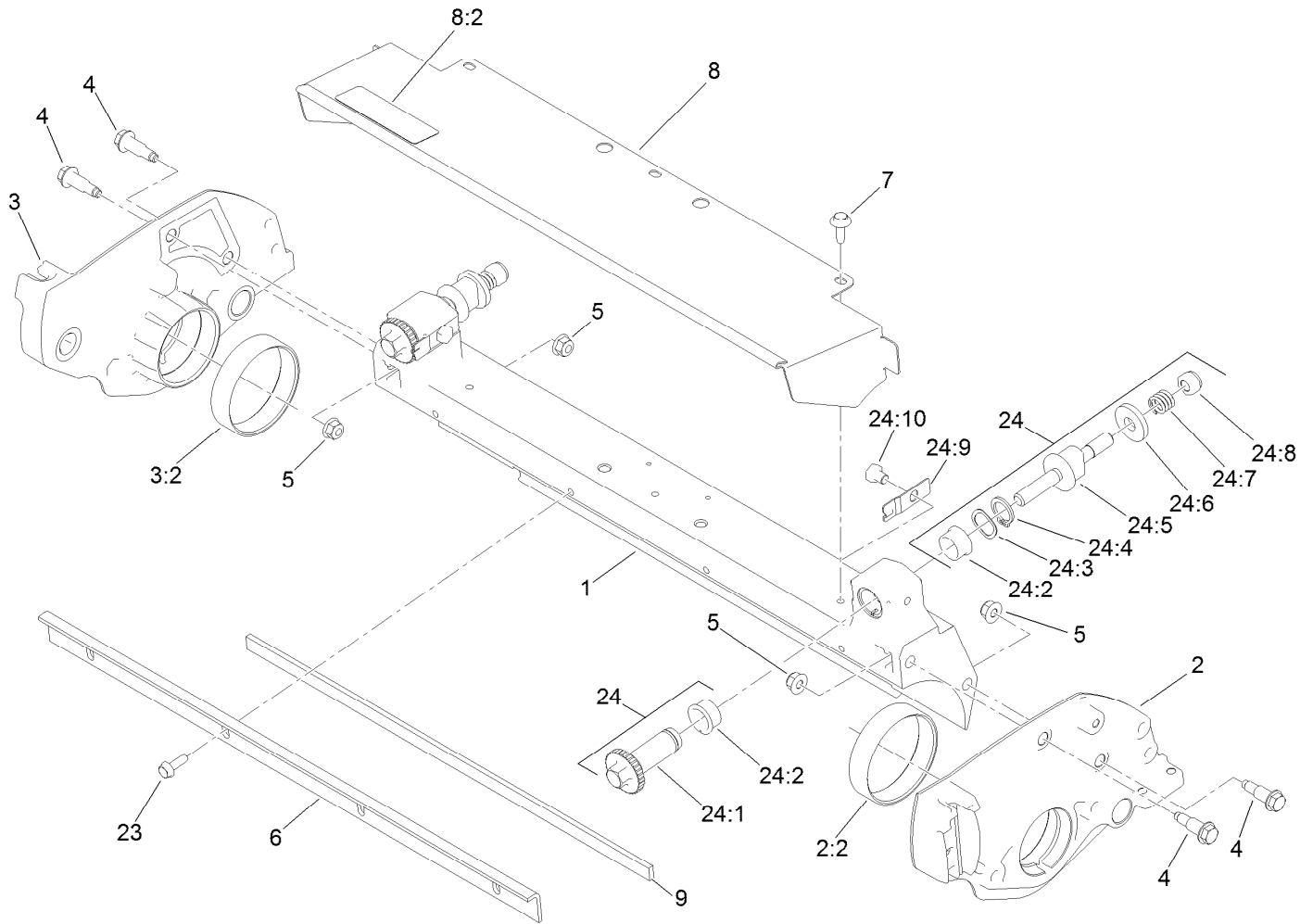
Reference Numbers Indicating Quantity

In an illustration, if a reference number indicates more than one part, the reference number has the form nX y. The n represents the quantity of the part, the X is the multiplication symbol, and the y represents the reference number.

For example, in an illustration, the reference number 2X 37 means that two of the parts identified by reference number 37 are indicated.

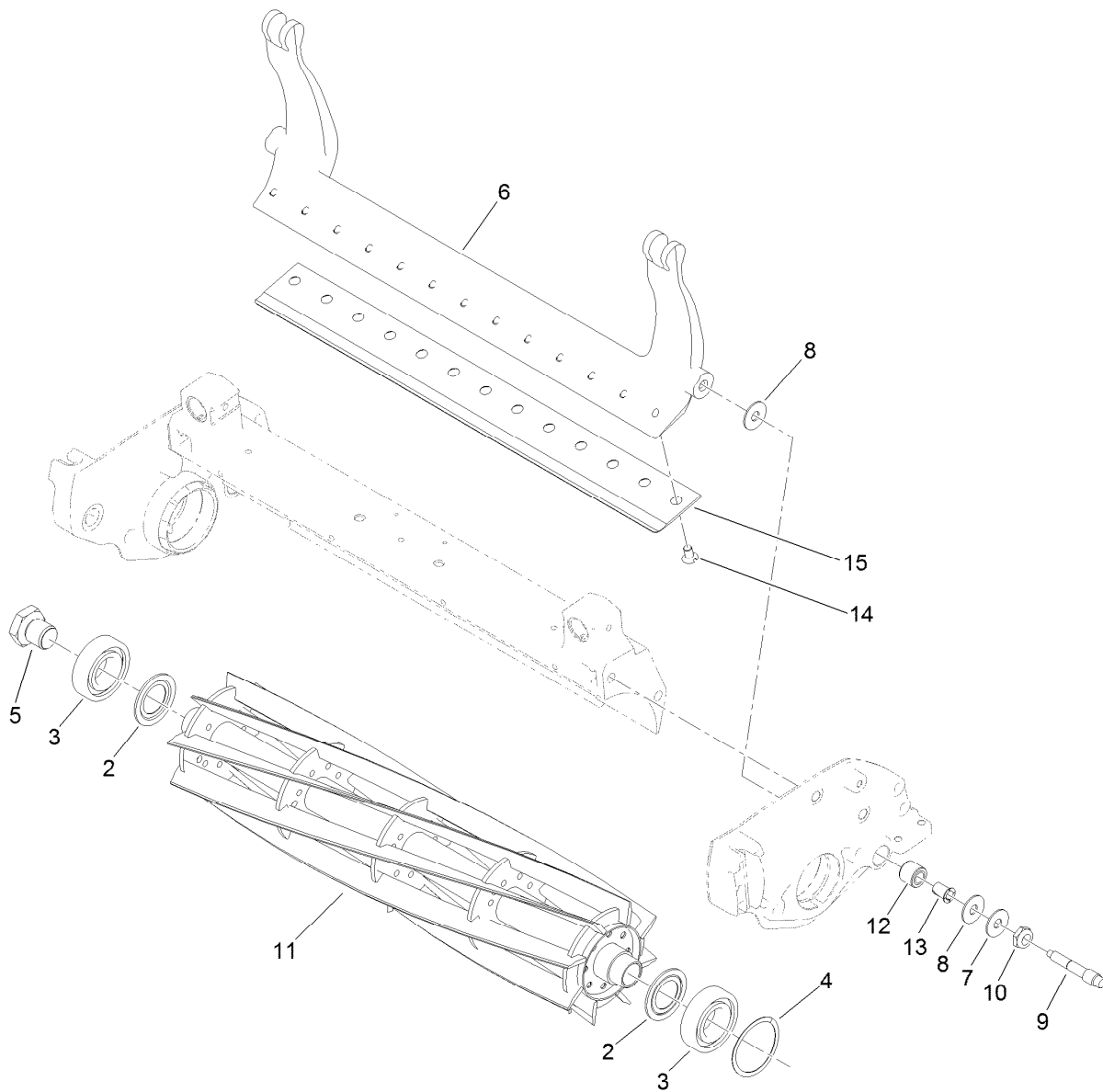
Contents

Frame Assembly.....	4
Reel Assembly.....	5
Roller Assembly.....	6
Rear Full Roller Assembly No. 119-4093.....	7
Roller Seal Rebuild Kit Assembly No. 107-1594.....	8
Pitch Arm and Weight Assembly.....	9
Attachments and Accessories.....	10



Frame Assembly

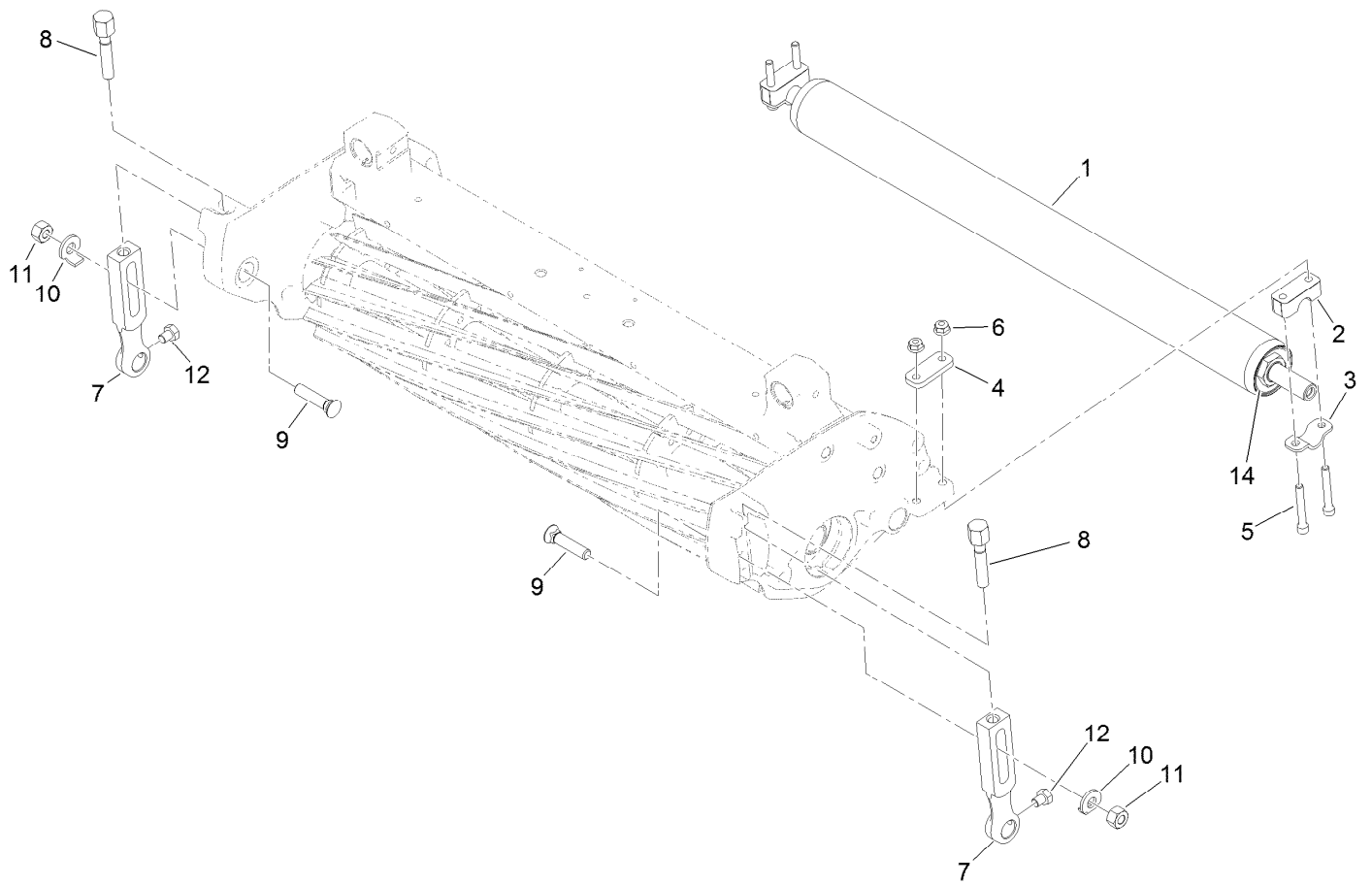
Ref.	Part Number	Qty.	Description	Ref.	Part Number	Qty.	Description
1	119-9303	1	Crossmember	23	131-6150	4	Screw-HWHTF
2	119-4005	1	LH Sideplate ASM	24	121-2637	1	DPA Adjusters MVP Kit
2:2	117-6619	1	Bushing	24:1	106-5363	2	Shaft-Adjuster
3	119-4007	1	RH Sideplate ASM	24:2	106-5344	4	Bushing-Flange, Keyed
3:2	117-6619	1	Bushing	24:3	119-4164	2	Washer-Wave
4	115-7042	4	Bolt-Shoulder, Flange	24:4	32120-93	2	Ring-Retaining
5	119-4041	4	Nut-HF	24:5	115-7039	2	Screw-Adjuster, Bedbar
6	115-3303-03	1	Bar-Cutoff	24:6	119-4155	2	Washer-Hardened
7	119-4012	3	Screw-HWHTF	24:7	119-4156	2	Spring-Compression
8	119-4095	1	Grass Shield ASM	24:8	119-4039	2	Nut-Hex, NI
8:2	104-7729	1	Decal-Danger, CE	24:9	99-2097	2	Detent
9	106-2619	1	Strip-Seal	24:10	119-4067	2	Screw-HH



Reel Assembly

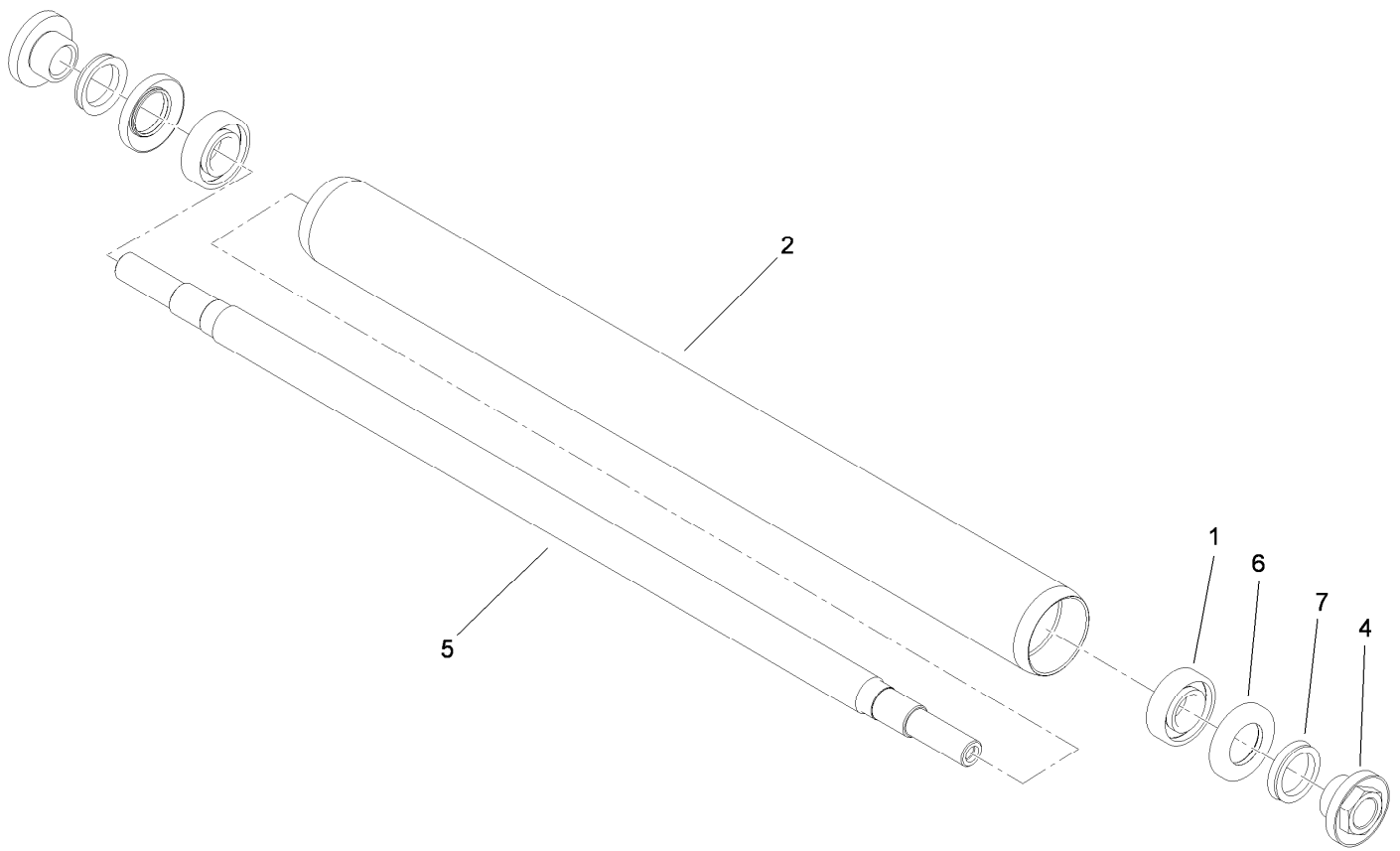
Ref.	Part Number	Qty.	Description	Ref.	Part Number	Qty.	Description
2	115-3299	2	Seal-Flocked	13	52-2890	2	Bushing-Nylon
3	115-3296	2	Bearing-Sealed	14	119-4151	13	Screw-Bedknife
4	115-5258	1	Spring-Wire, Flat	15	108-4302	1	Bedknife-Tournament, Extended ●
5	115-7263	1	Screw-Lock, Bearing	15	108-4303	1	Bedknife-Microcut, Extended ●
6	106-2648-01	1	Bedbar	15	115-1880	1	Bedknife-Edgemax, Microcut
7	119-4150	2	Washer-Flat	15	115-1881	1	Bedknife-Edgemax, Tournament ●
8	52-2900	4	Washer-Plastic	15	63-8600	1	Bedknife-Fairway ●
9	117-9493	2	Bolt-Bedbar	15	93-4262	1	Bedknife-Microcut ●
10	119-4154	2	Nut-Lock, NI	15	93-4263	1	Bedknife-Tournament Cut ●
11	132-7340	1	21 Inch 8 Blade Low Drag Reel ASM ●	15	93-4264	1	Bedknife-Low Cut ●
11	132-7341	1	21 Inch 11 Blade Low Drag Reel ASM	15	94-6392	1	Bedknife-Highcut ●
11	132-7342	1	21 Inch 14 Blade Low Drag Reel ASM ●				
12	119-4153	2	Rubber Bushing ASM				

● Optional Equipment



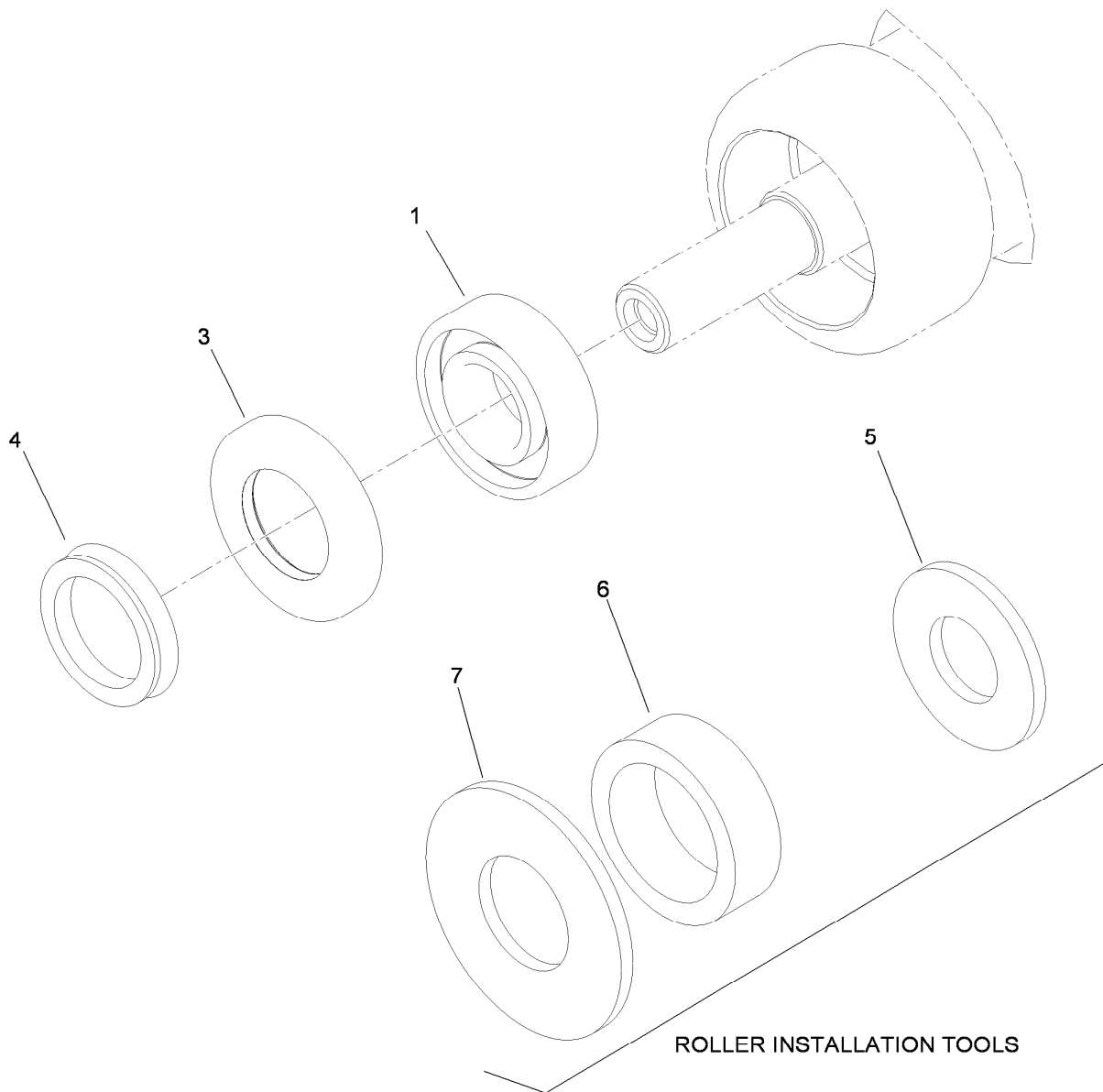
Roller Assembly

<i>Ref.</i>	<i>Part Number</i>	<i>Qty.</i>	<i>Description</i>
1	119-4093	1	Rear Full Roller ASM
2	119-4166	2	Spacer-Height, Roller
3	119-4157	2	Retainer-Shaft
4	119-4165	2	Shim-Height, Roller
5	119-4035	4	Screw-HSH
6	119-4040	4	Nut-Flange, NI
7	115-7041	2	Arm-HOC
8	110-7352	2	Screw-HOC
9	99-3773	2	Bolt-Plow
10	119-4158	2	Washer-HOC
11	115-7193	2	Nut-HOC
12	119-4067	2	Screw-HH
14	107-1594	1	Roller Seal Rebuild Kit



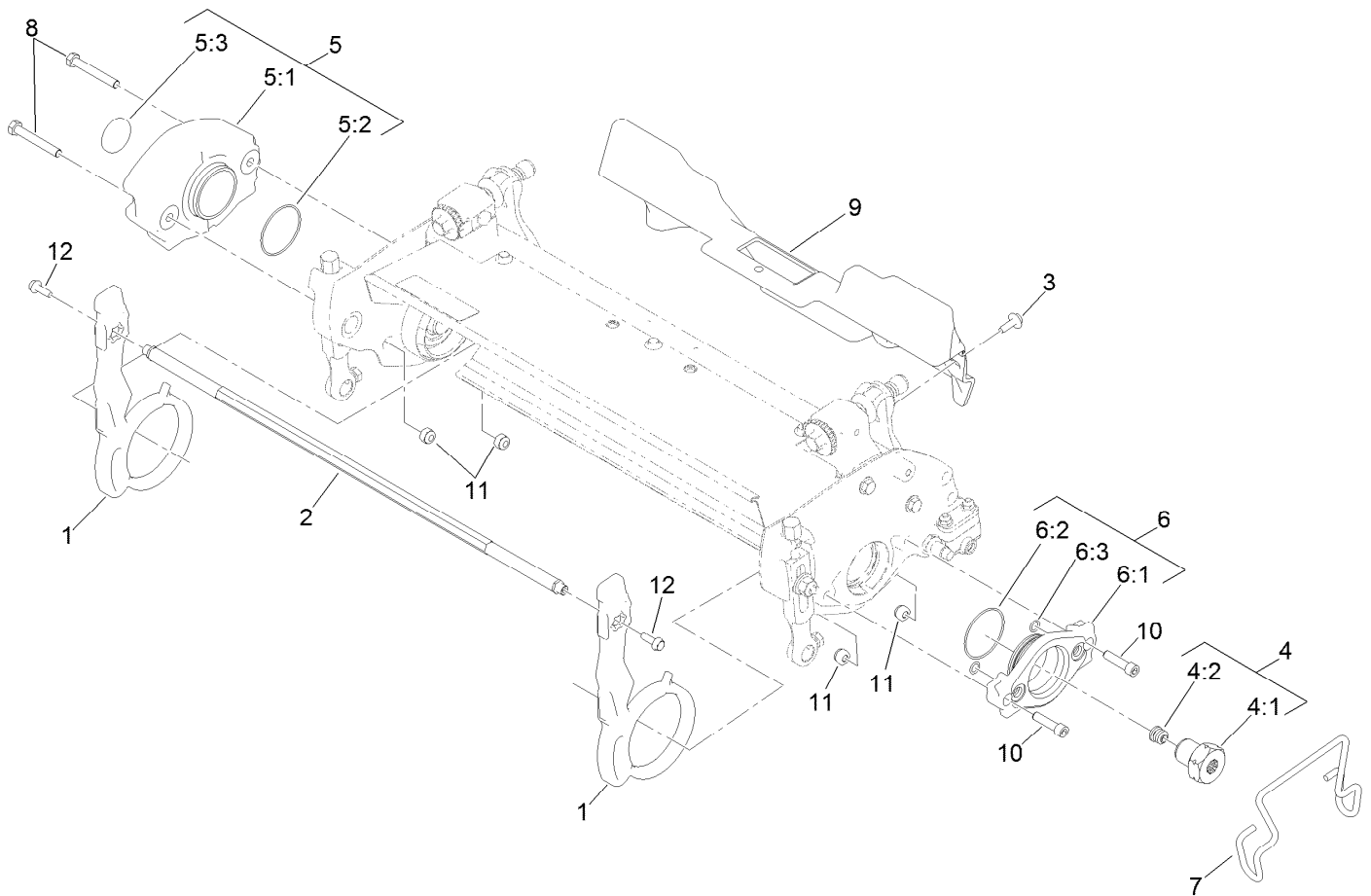
Rear Full Roller Assembly No. 119-4093

<i>Ref.</i>	<i>Part Number</i>	<i>Qty.</i>	<i>Description</i>
1	251-347	2	Bearing-Ball
2	119-4092	1	Roller Tube ASM
4	108-3151	2	Nut-Lock, Bearing
5	119-4090	1	Shaft-Roller
6	106-6941	2	Seal
7	106-6942	2	V-Ring



Roller Seal Rebuild Kit Assembly No. 107-1594

<i>Ref.</i>	<i>Part Number</i>	<i>Qty.</i>	<i>Description</i>
1	251-347	2	Bearing-Ball
3	106-6941	2	Seal
4	106-6942	2	V-Ring
5	107-8133	2	Washer-Flat
6	107-3505	2	Spacer-Tool, Roller
7	104-6126	2	Washer-Flat



Pitch Arm and Weight Assembly

Ref.	Part Number	Qty.	Description	Ref.	Part Number	Qty.	Description
1	119-9307-01	2	Arm-Pitch	6	115-5227	1	Motor Adapter ASM
2	117-9456	1	Crosslink	6:1	115-3294	1	Adaptor-Motor
3	119-4012	4	Screw-HWHTF	6:2	360-0398	1	O-Ring
4	120-3221	1	LH Reel Nut ASM	6:3	237-22	2	O-Ring
4:1		1	Nut-Reel, Splined (LH) ●	7	117-6706	1	Clamp-Motor
4:2	120-3220	1	Plug-Plastic	8	322-11	2	Screw-HH
5	115-3340	1	Weight ASM	9	117-6849	1	Shield-Spring
5:1		1	Weight-Reel ●	10	3274-18	2	Screw-HSH
5:2	360-0398	1	O-Ring	11	119-4038	4	Nut-Hex
5:3	121-4609	1	Plug-Expansion	12	131-6150	2	Screw-HWHTF

● Not serviced separately

Attachments and Accessories

For 04653 11-Blade DPA Reel Mower, Greensmaster 3300 or 3400 Series Traction Unit

Product Name	Model/Part
21in Twin Tip Groomer Reel	04802
Blade-Groomer, Universal Harden Blade (Thin)	132-4626
Split Full Front Roller	04249
Split Narrow Wiehle Roller	04250
Narrow Wiehle Roller (Qty 1)	04255
Wide Wiehle Roller (Qty 1)	04256
Front Full Smooth Roller (Qty 1)	04257
Extended Narrow Wiehle Roller (Qty 1)	04258
Paspalum Wiehle Roller (Qty 1).....	04267
Full Roller Kit (Set of 3).....	04625
Narrow Wiehle Roller Kit (Set of 3)	04626
Wide Wiehle Roller Kit (Set of 3).....	04627
Narrow Wiehle Steel Roller Asm.....	107-3510
Wide Wiehle Steel Roller Asm	107-3514
Narrow Wiehle Roller Kit.....	115-7360
Wide Wiehle Roller Kit	115-7386
Front Full Smooth Roller Kit.....	115-7388
Extended Wiehle Roller Kit	121-4675
Paspalum Wiehle Roller	121-9535
Cast Iron Wiehle Roller (Qty 1)	71-1550
Front Brush for Narrow Wiehle Roller (Qty 1).....	115-7377
Front Brush for Wide Wiehle Roller (Qty 1)	115-7378
Front Brush for Full Roller (Qty 1)	115-7379
Front Comb for Narrow Wiehle Roller (Qty 1).....	115-7380
Front Comb for Wide Wiehle Roller (Qty 1).....	115-7381
Front Comb for Full Roller (Qty 1)	115-7382
Front Scraper for Narrow Wiehle Roller (Qty 1).....	125-3503
Front Scraper for Wide Wiehle Roller (Qty 1)	125-3504
Front Scraper for Full Roller (Qty 1)	125-3505
Steel Roller Asm	107-3509
Steel Rear Full Roller (Qty 1)	120-9595
Rear Roller Scraper Kit (Set of 3).....	04646
Rear Roller Scraper (Qty 1)	121-2260
Steel Roller (Qty 1)	04628
Dampening Roller Kit.....	04629
Roller Scraper Kit.....	107-9561
Rear Roller Brush, Greensmaster 3250-D, TriFlex 3300, and 3400 Series DPA Cutting Units with Universal Groomer	04650
DPA Reel Mower Rear Roller Brush (RH).....	04724
RRB Adapter Kit	132-0723
Flex Groomer Drive, Counter Rotating.....	04260
Universal Groomer Drive Kit	04648
DPA Reel Mower Groomer (RH)	04710
21in Soft Grooming Brush.....	04270
21in Stiff Grooming Brush.....	04271

Attachments and Accessories (continued)

21in Soft Grooming Brush, DPA.....	04274
21in Stiff Grooming Brush, DPA.....	04275
21in Spring Steel Groomer Reel.....	04283
21in Carbide Groomer Reel.....	04284
21in Brush Groomer Reel.....	04285
Left-Hand Carbide Grooming Reel.....	04708
Carbide Grooming Reel.....	04711
Steel Grooming Reel.....	04712
Groomer Brush.....	04713
21in Thin Blade Groomer Reel.....	04741
21in Spring Steel Thin Blade Groomer Reel.....	04744
21in Soft Grooming Brush Kit.....	127-1547
21in Stiff Grooming Brush Kit.....	127-1548
Weight Kit, Counter-Rotating.....	120-2760
High Height-of-Cut Arms (Qty 1).....	120-9600
Rear Roller Adjustment (Qty 1).....	120-9602
Rear Roller Extension Kit (Set of 3).....	125-5180
Groomer Quick Up Kit.....	127-6119
Bedbar.....	106-2648-01
Bedbar-Aggressive.....	99-3794-03
Bedknife-Tournament, Extended.....	108-4302
Bedknife-Microcut, Extended.....	108-4303
Bedknife-Edgemax (21in Fairway).....	112-7475
Bedknife-Edgemax, Microcut.....	115-1880
Bedknife-Edgemax, Tournament Cut.....	115-1881
Bedknife-Fairway.....	63-8600
Bedknife-Microcut.....	93-4262
Bedknife-Tournament Cut.....	93-4263
Bedknife-Low Cut.....	93-4264
Bedknife-Highcut.....	94-6392
21 Inch 8 Blade Low Drag HD Reel ASM.....	130-0120
21 Inch 8 Blade Low Drag Reel ASM.....	132-7340
21 Inch 11 Blade Low Drag Reel ASM.....	132-7341
21 Inch 14 Blade Low Drag Reel ASM.....	132-7342
Blade-Groomer, Helix.....	110-2333
Blade-Groomer, Thin (Carbide).....	121-9531
Roller Seal Replacement (Qty 1).....	107-1594
MVP Kit, Cutting Unit Re-Build.....	121-2637
MVP Kit, Forward Rotating Groomer Re-Build.....	121-9517
Turf Evaluator.....	04399
Toro Reel Paper (10 Pack).....	125-5610
Toro Reel Shim (0.002in).....	125-5611
Angle Indicator.....	131-6828
Angle Indicator Mount.....	131-6829
Height-of-Cut Bar.....	94-9010



Count on it.