



Count on it.

Parts Catalog

Sand Pro® 5040

Traction Unit

Model No. 08705—Serial No. 402990001 and Up



Ordering Replacement Parts

To order replacement parts, please supply the part number, the quantity, and the description of each part desired.

Understanding Reference Numbers

Each identified part in an illustration has a reference number. The reference number for a part also appears in the parts list, along with other information about the part.

This catalog uses two special reference number formats, one to indicate parts in a service assembly and another to indicate the quantity of a given part in an illustration.

Service Assembly Reference Numbers

Parts in service assemblies have reference numbers in the form a:b. The a represents the reference number of the entire service assembly and the b represents a sequential number unique to each part within the service assembly.

For example, a wheel assembly might be identified by reference number 6, the tire by 6:1, the valve by 6:2, and the wheel by 6:3. When you order the assembly identified by reference number 6, you receive all parts identified by reference numbers 6:1, 6:2, and 6:3. However, you may also order any part individually. Reference numbers of this type appear in illustration and in parts lists.

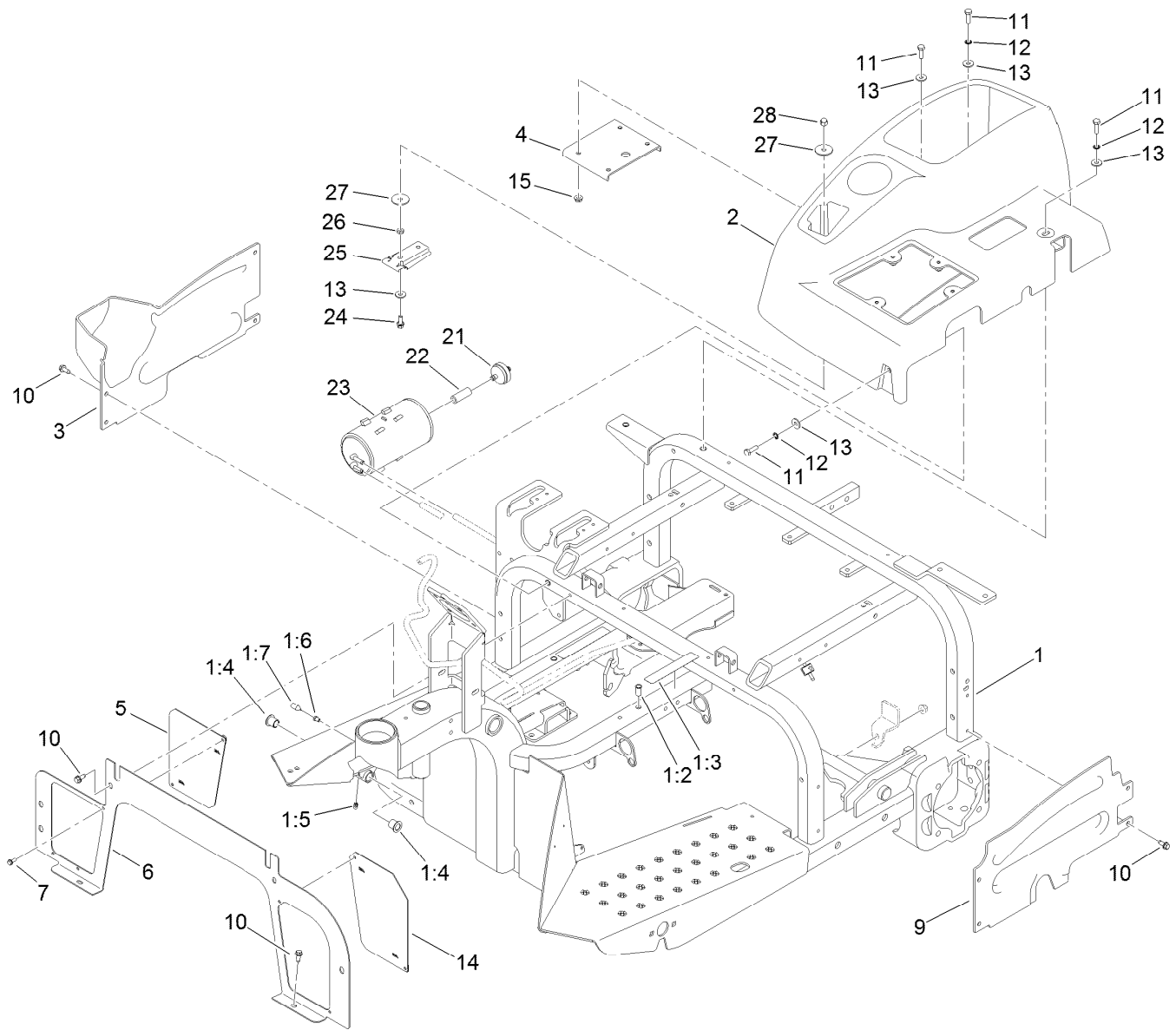
Reference Numbers Indicating Quantity

In an illustration, if a reference number indicates more than one part, the reference number has the form nX y. The n represents the quantity of the part, the X is the multiplication symbol, and the y represents the reference number.

For example, in an illustration, the reference number 2X 37 means that two of the parts identified by reference number 37 are indicated.

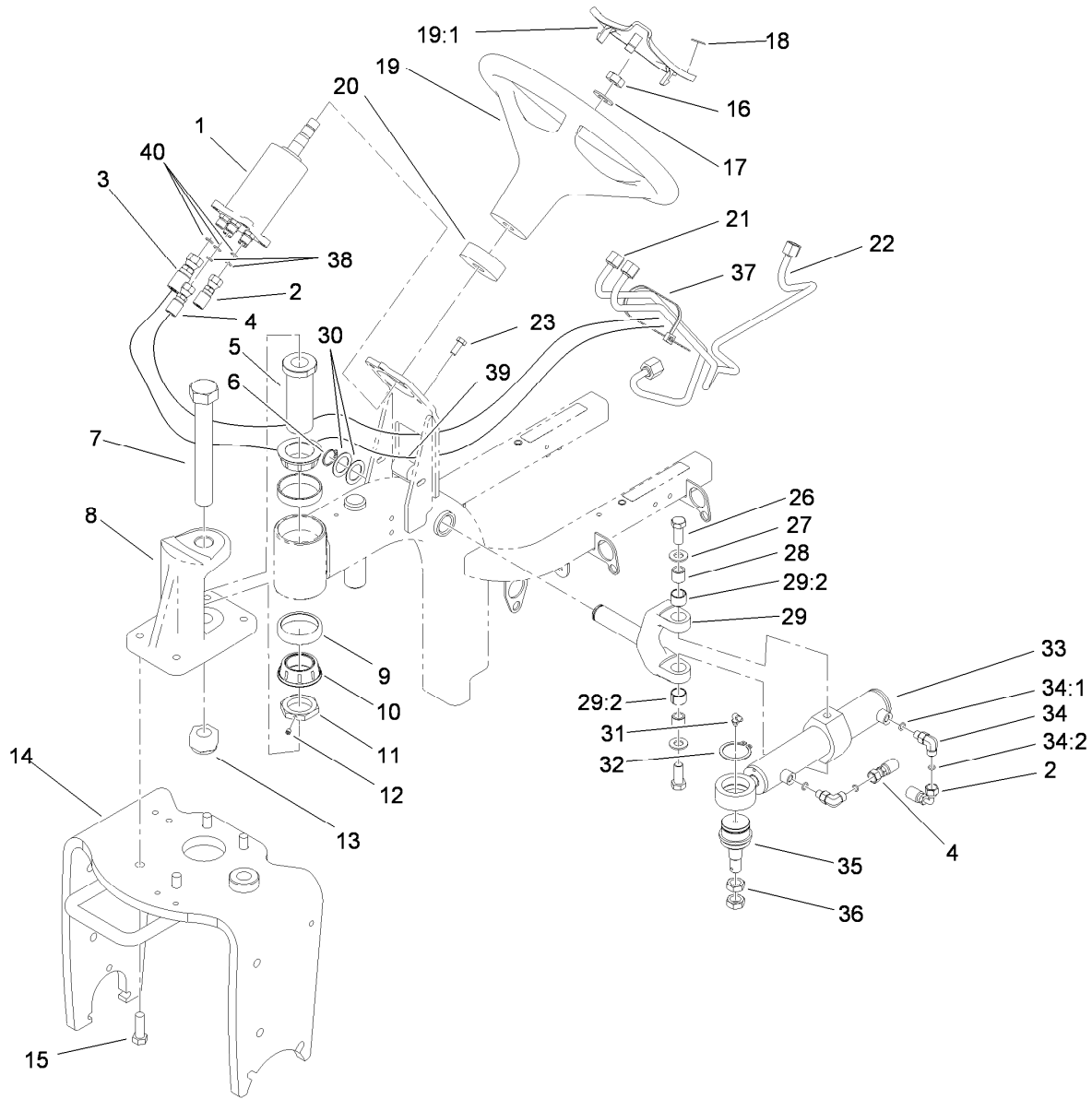
Contents

Frame and Console Assembly	4
Steering Assembly	5
Steering Valve Assembly No. 108-2924	6
Hydraulic Cylinder Assembly No. 114-0620	7
Fuel Tank and Battery Assembly	8
Front Wheel Assembly	10
Hydraulic Motor Assembly No. 108-2948	11
Rear Wheel Assembly	12
Hydraulic Motor Assembly No. 108-2949	13
Hydraulic Motor Assembly No. 108-2947	14
Traction Pedal Assembly	15
Pump Control Lever Assembly	16
Engine Installation Assembly	17
Pump and Coupling Assembly	18
Variable Piston Pump Assembly No. 132-4350	20
Hydraulic Tank, Filter and Cooler Assembly	22
Lift Valve and Rear Tube Assembly	24
Hydraulic Valve Assembly No. 121-9070	26
Seat and Shroud Assembly	27
Wire Harness, Air Cleaner and Hose Assembly	28
Air Cleaner Assembly No. 93-2190	29
Rear Hitch Assembly	30
Hydraulic Lift Cylinder Assembly No. 115-5647	31
Attachments and Accessories	32



Frame and Console Assembly

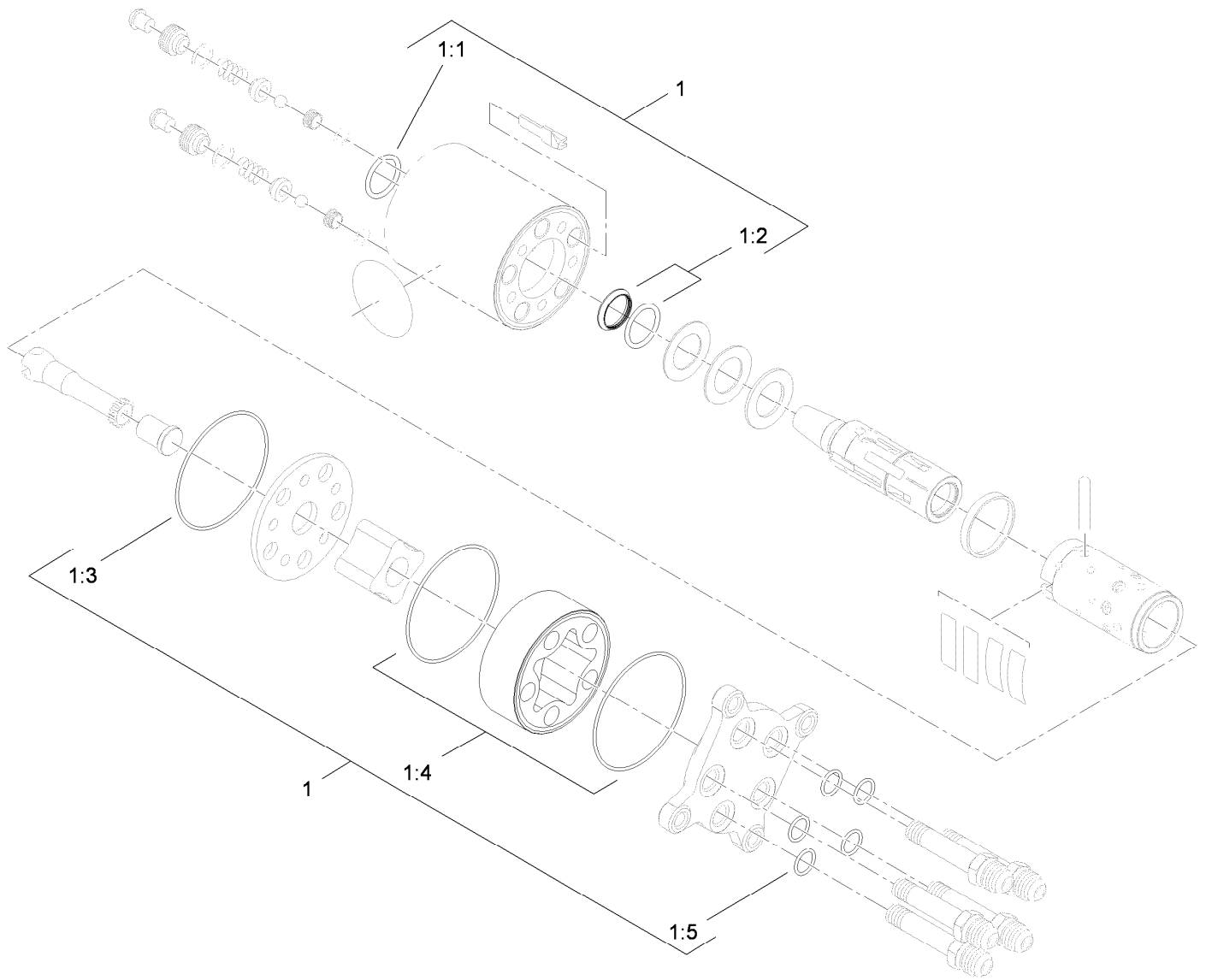
<i>Ref.</i>	<i>Part Number</i>	<i>Qty.</i>	<i>Description</i>	<i>Ref.</i>	<i>Part Number</i>	<i>Qty.</i>	<i>Description</i>
1	110-3367	1	Frame ASM	10	32144-10	12	Screw-HWH
1:2	32148-11	5	Nut-Clinch	11	321-5	7	Screw-HH
1:3	93-7272	2	Decal-Warning	12	3254-8	3	Washer-Lock
1:4	256-219	2	Bushing	13	3256-78	8	Washer-Flat
1:5	302-58	1	Fitting-Straight	14	120-3491-01	1	Screen-Panel, LH
1:6	107-1997	1	Fitting-Grease	15	32128-33	4	Nut-HF
1:7	107-1998	1	Nozzle-Grease	21	115-7854	1	Filter-Fuel, Inline
2	108-2936	1	Console	22	106-5317	1	Hose-Fuel
3	108-6855	1	Shroud-Wheel, RH	23	127-8685	1	Canister-Carbon
4	108-7995-03	1	Plate-Support, Console	24	3234-33	1	Screw-HHF
5	120-3492-01	1	Screen-Panel, RH	25	114-0292	1	Bracket-Canister, Carbon
6	112-1443-01	1	Panel-Front	26	3218-1	1	Nut-Jam
7	3290-321	4	Screw-HWH	27	3256-57	2	Washer-Flat
9	108-6856	1	Shroud-Wheel, LH	28	32111-7	1	Nut-Cap



Steering Assembly

Ref.	Part Number	Qty.	Description
1	108-2924	1	Valve-Steering
2	105-4347	1	Hose-HYD
3	93-5385	1	Hose ASM
4	108-6508	1	Hose-HYD
5	108-8470	1	Sleeve-Steering
6	32151-36	1	Ring-Retaining
7	3216-16	1	Screw-HH
8	108-5431	1	Pivot-Steering
9	107-7590	2	Cup-Bearing
10	107-7589	2	Cone-Bearing (W/ Seal)
11	108-8471	1	Nut-Steering
12	3245-1	1	Screw-Set, HSH
13	104-2024	1	Nut-Hex, NI
14	108-0573-01	1	Castor Fork ASM
15	325-6	4	Screw-HH
16	3296-33	1	Nut-Lock, NI
17	3256-27	1	Washer-Flat
18	98-1459	1	Decal
19	98-1471	1	Wheel-Steering
19:1	98-1468	1	Cover-Wheel, Steering
20	108-7998	1	Collar-Foam

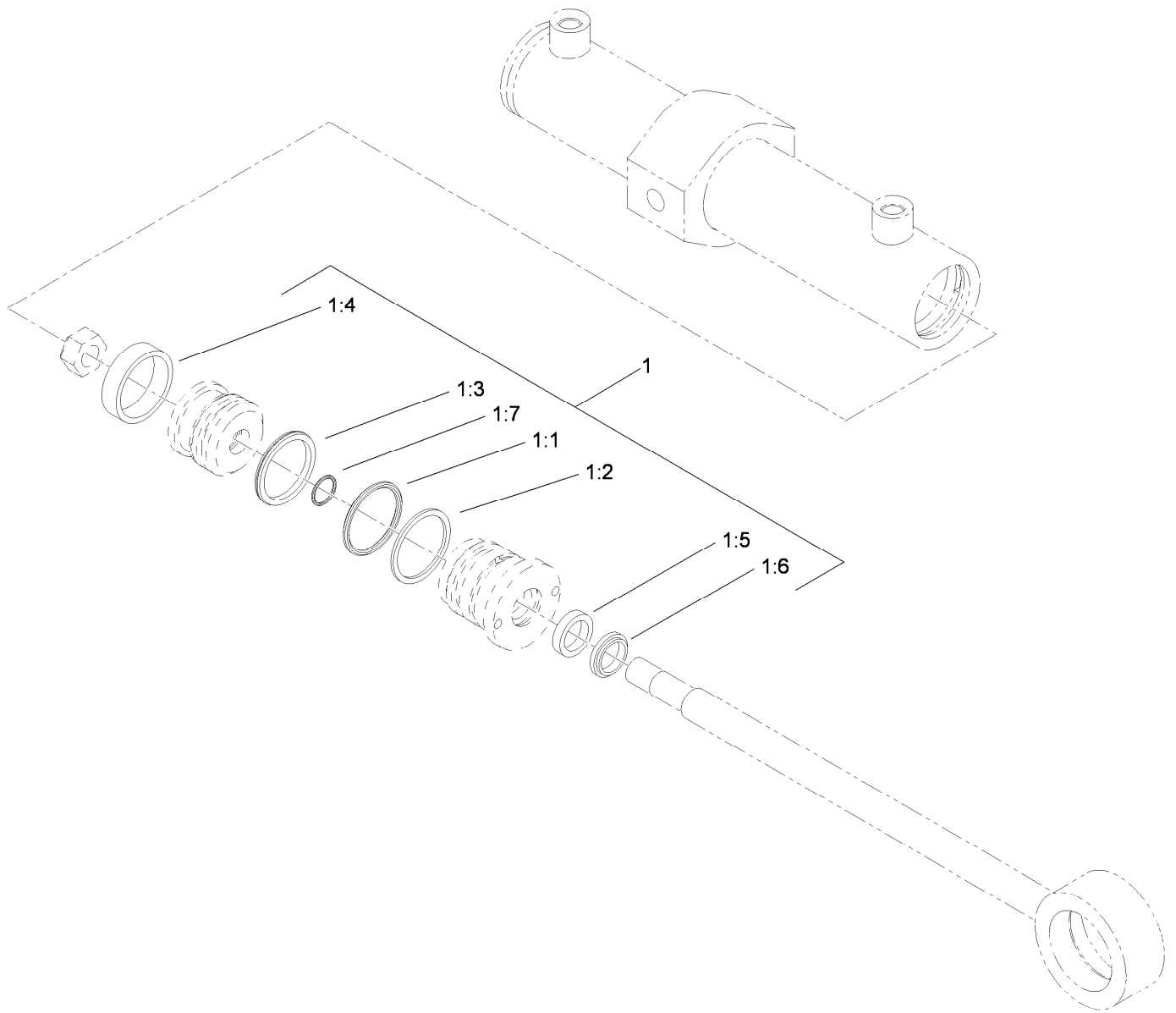
Ref.	Part Number	Qty.	Description
21	108-8414	1	Tube ASM
22	108-8415	1	Tube ASM
23	33114-020	4	Screw-HH
26	94-7976	2	Screw-HH
27	3256-26	2	Washer-Flat
28	108-8483	2	Spacer-Plain
29	108-8481	1	Yoke And Bushing ASM
29:2	108-8482	2	Bushing-Sleeve
30	1-543436	2	Washer-Spacer
31	302-40	1	Fitting-Grease, 90 DEG
32	32151-104	1	Ring-Retaining, External
33	114-0620	1	Hydraulic Cylinder ASM
34	340-132	2	Fitting-Elbow, 90
34:1	237-78	1	O-Ring
34:2	237-21	1	O-Ring
35	106-6774	1	Joint-Ball
36	3220-6	2	Nut-Jam
37	3290-379	1	Tie-Cable
38	237-21	2	O-Ring
39	38-3400	2	Guard-Rubber
40	237-22	3	O-Ring



Steering Valve Assembly No. 108-2924

Ref.	Part Number	Qty.	Description
1	106-6716	1	Seal Kit
1:1		1	Ring-Seal, Dust ●
1:2		1	Seal-Shaft ●
1:3		1	O-Ring ●
1:4		2	O-Ring ●
1:5		5	O-Ring ●

● Not serviced separately

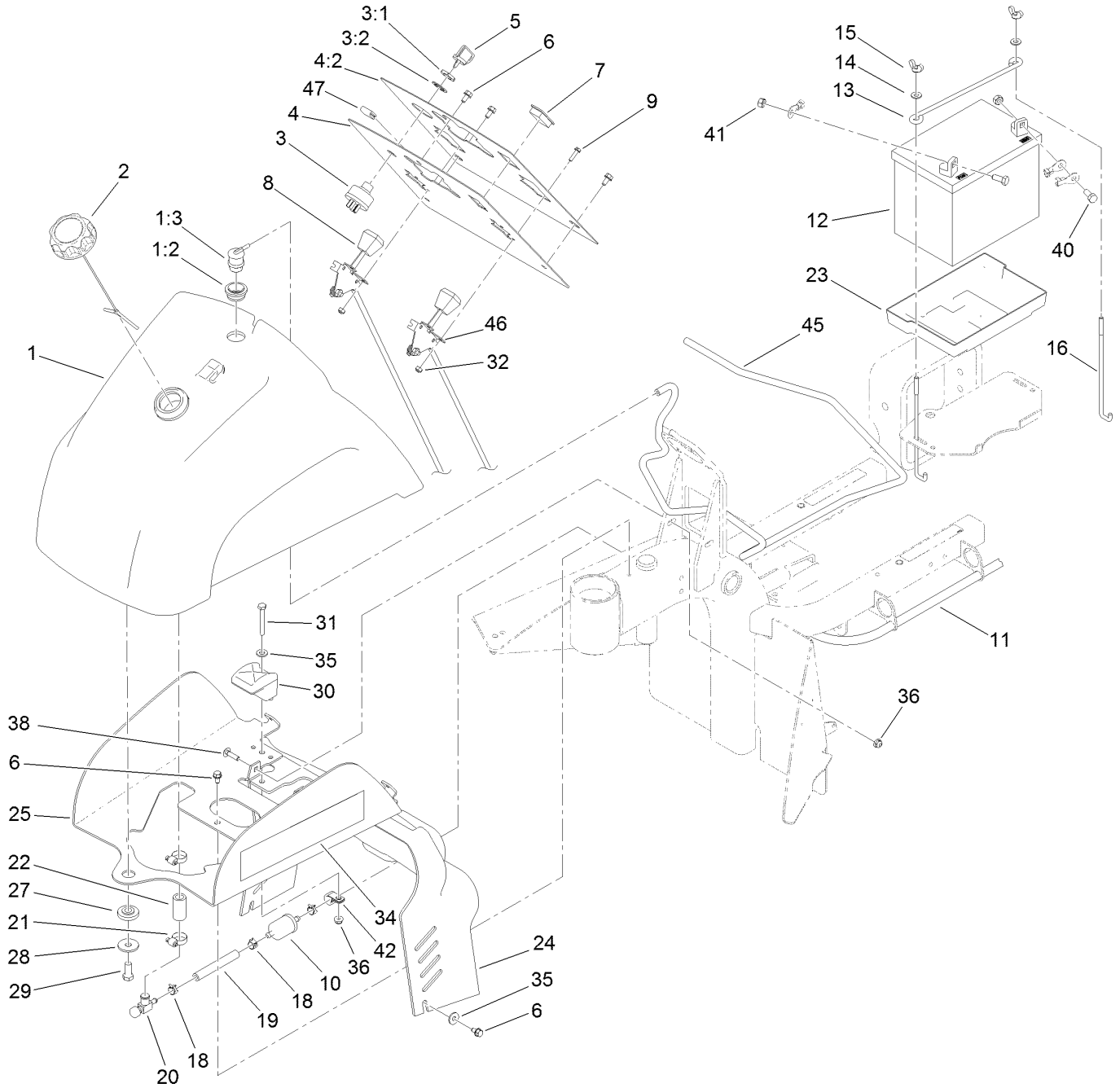


Hydraulic Cylinder Assembly No. 114-0620

<i>Ref.</i>	<i>Part Number</i>	<i>Qty.</i>	<i>Description</i>
1	114-0622	1	Seal Kit
1:1		1	O-Ring ●
1:2		1	Backup ●
1:3		1	Bp Seal ●
1:4		1	Wear Ring ●
1:5		1	Bs Seal ●
1:6		1	Dust Seal ●
1:7		1	O-Ring ●

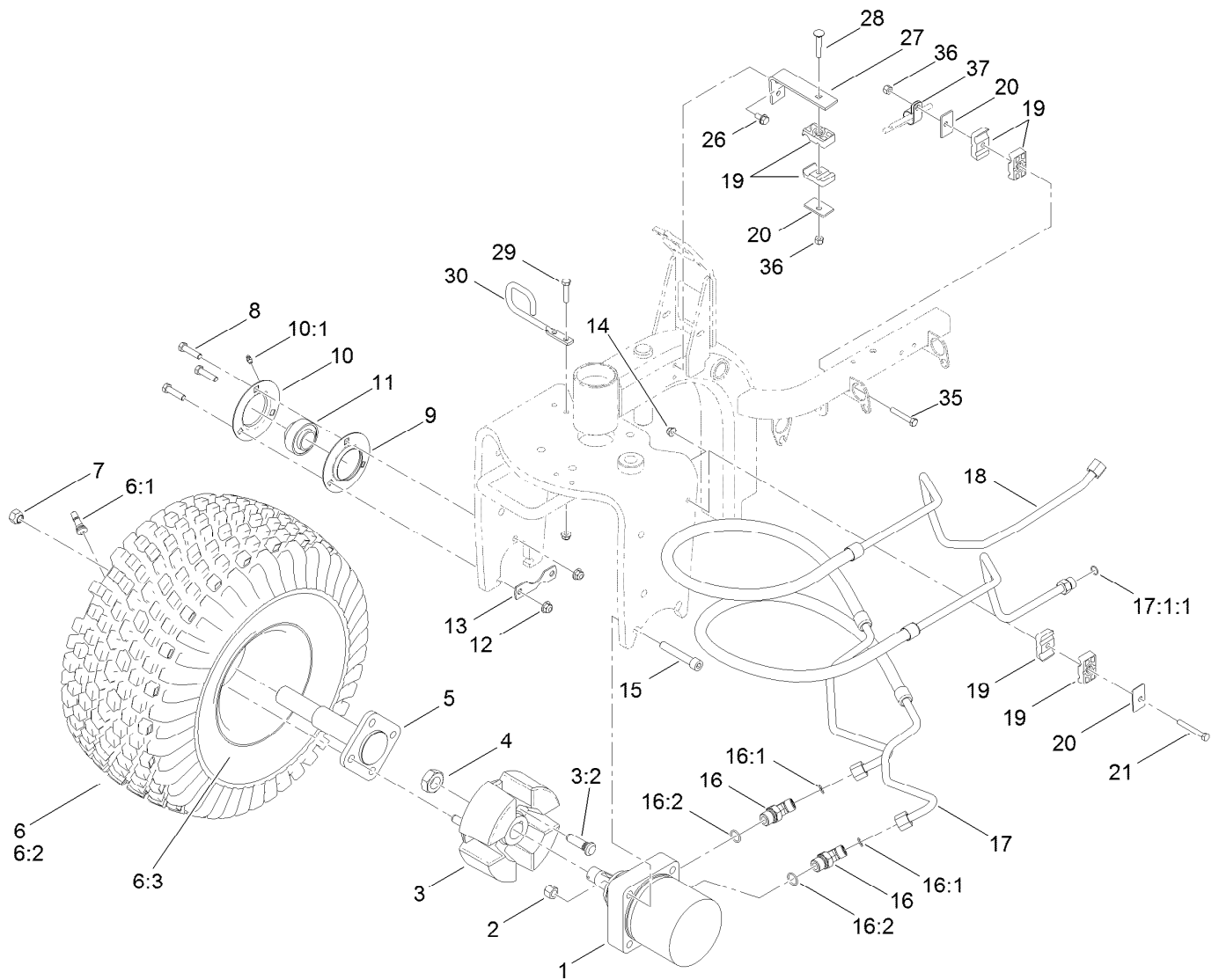
● Not serviced separately

Fuel Tank and Battery Assembly



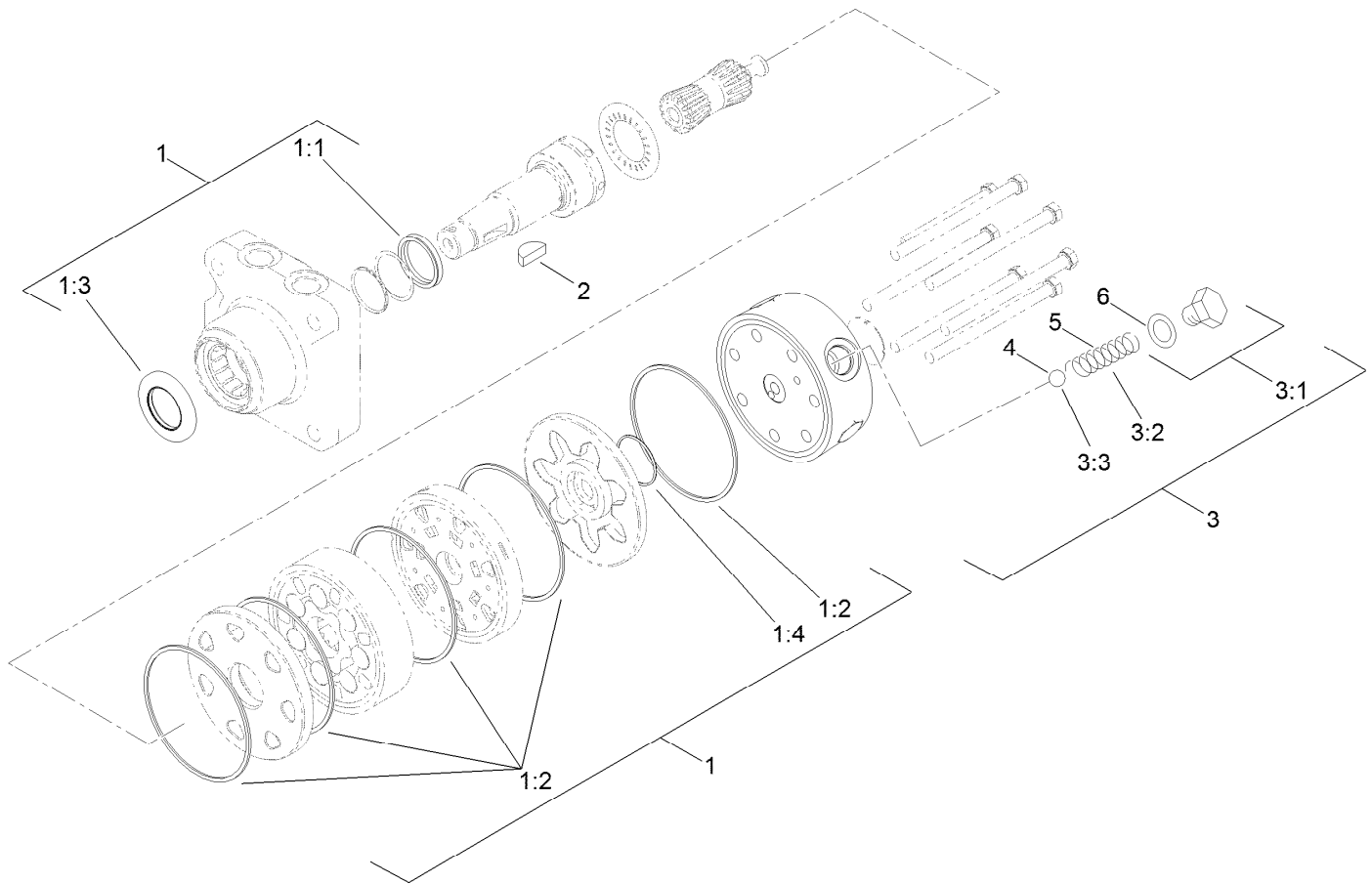
Fuel Tank and Battery Assembly (continued)

<i>Ref.</i>	<i>Part Number</i>	<i>Qty.</i>	<i>Description</i>	<i>Ref.</i>	<i>Part Number</i>	<i>Qty.</i>	<i>Description</i>
1	137-3367	1	Fuel Tank ASM	20	83-1390	1	Valve-Shut-Off, Fuel
1:2	114-0284	1	Grommet	21	2412-36	2	Clamp-Hose
1:3	114-0285	1	Valve-Rollover	22	110-3371	1	Hose-Fuel
2	126-1789	1	Cap-Fuel, Ratcheting	23	106948	1	Tray-Battery
3	83-0020	1	Switch-Ignition	24	108-6898	1	Shroud-Dash
3:1	218-461	1	Nut-HH	25	108-6895-01	1	Bracket-Mount, Tank
3:2	3254-5	1	Washer-Tooth, Internal	27	240-11	1	Bushing-Flange
4	137-3388	1	Control Panel ASM	28	63-8410	1	Washer
4:2	137-3387	1	Decal-Dash	29	323-5	1	Screw-HH
5	63-8360	2	Key-Ignition	30	107-4543	2	Clamp
6	32144-10	6	Screw-HWH	31	321-18	2	Screw-HH
7	99-7420	1	Plug-Hole	32	3296-2	4	Nut-Lock, NI
8	119-7188	1	Throttle Cable ASM	34	108-8419	2	Decal
9	3290-321	4	Screw-HWH	35	3256-78	4	Washer-Flat
10	94-2690	1	Filter-Fuel	36	104-7201	4	Nut-HF
11	110-3372	1	Hose-Fuel	38	3229-1	2	Bolt-CARR
12	104-8162	1	Battery-Dry	40	322-3	2	Screw-HH
13	100-6434	1	Rod-Hold Down, Battery	41	3217-6	2	Nut-Hex
14	3256-22	2	Washer-Flat	42	92-6064	1	Clamp-R
15	32103-22	2	Nut-Wing	45	117-9568	1	Hose-Vent, Tank
16	100-6435	2	Post-Battery	46	119-7178	1	Choke Cable ASM
18	2412-98	4	Clamp-Hose	47	119-2494	1	Seal-Strip
19	109-0660	1	Hose-Fuel				



Front Wheel Assembly

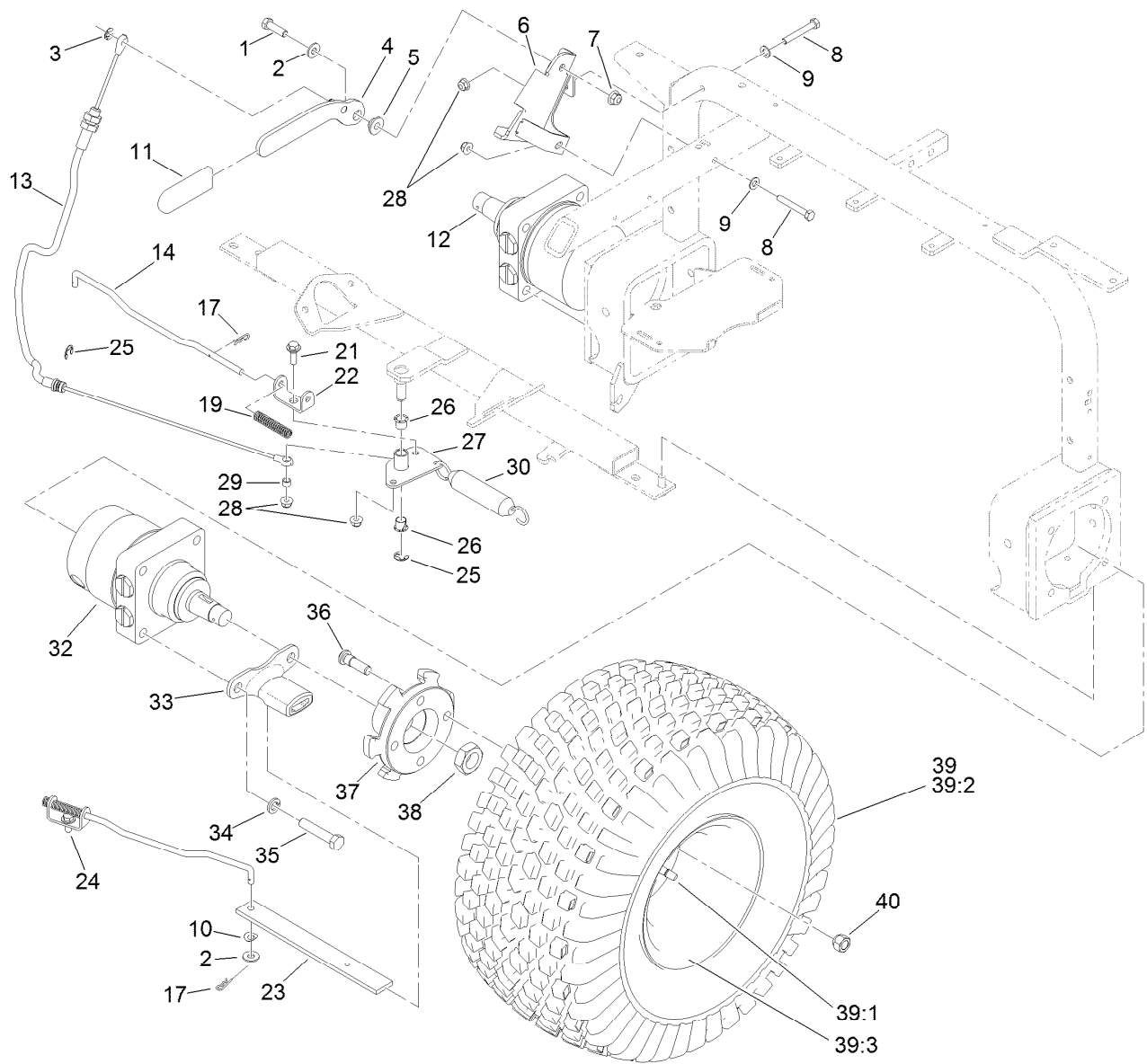
Ref.	Part Number	Qty.	Description	Ref.	Part Number	Qty.	Description
1	108-2948	1	HYD Motor ASM (CW)	15	3274-74	2	Screw-HSH
2	3296-23	2	Nut-Lock, NI	16	340-89	2	Fitting-HYD, 45 DEG
3	110-6310	1	Front Wheel Hub ASM	16:1	237-30	1	O-Ring
3:2	10-6830	4	Stud-Type, Drive	16:2	237-80	1	O-Ring
4	26-3790	1	Nut-Lock	17	119-6747	1	HYD Hose ASM
5	110-6314	1	Spindle	17:1:1	237-30	1	O-Ring
6	95-0621	1	Wheel And Tire ASM	18	119-6742	1	HYD Hose ASM
6:1	5108	1	Valve	19	56-7976	6	Clamp-Tube
6:2	85-8290	1	Tire-2Ply, Knobby	20	69-9760	3	Coverplate
6:3	94-6116	1	Wheel-Rear	21	322-12	1	Screw-HH
7	242-50	4	Nut-Lug	26	32144-14	2	Screw-HWHTF
8	323-8	3	Screw-HH	27	108-8455-01	1	Bracket-Clamp
9	85-8950	1	Flangette-Standard	28	3230-6	1	Bolt-CARR,Full Thrd
10	85-8940	1	Flangette-Relube	29	322-7	2	Screw-HH
10:1	302-5	1	Fitting-Grease	30	130-7873	1	Guide-Hose
11	251-352	1	Bearing	35	322-10	1	Screw-HH
12	104-8301	3	Nut-HF, NI	36	3296-29	2	Nut-Lock, NI
13	88-8350	1	Tab-Bearing	37	2412-41	1	Clamp-R
14	104-8300	3	Nut-HF, NI				



Hydraulic Motor Assembly No. 108-2948

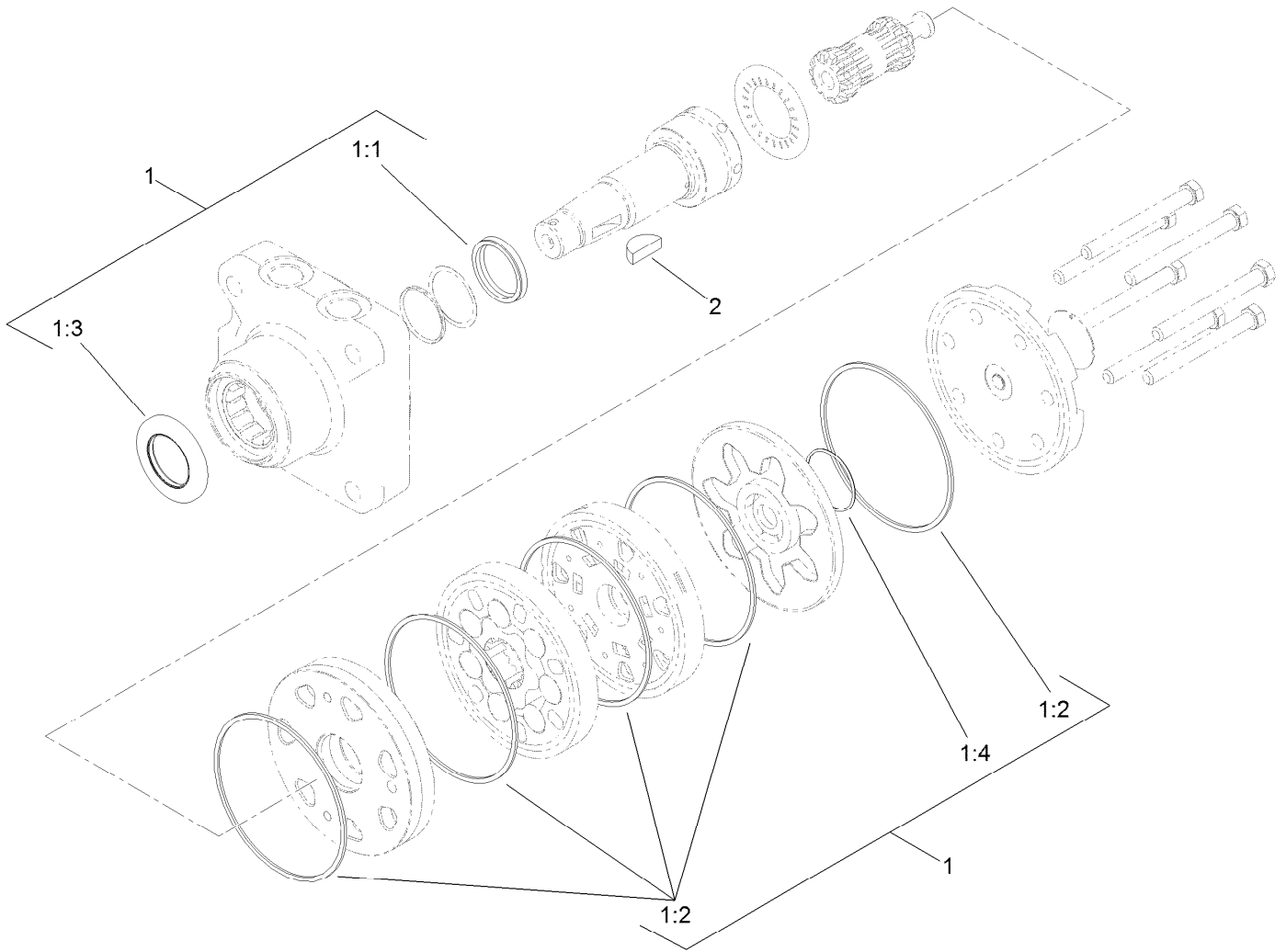
Ref.	Part Number	Qty.	Description
1	110-6459	1	Seal Kit
1:1		1	Seal-Shaft ●
1:2		5	Seal-Body ●
1:3		1	Seal-Dirt/Water ●
1:4		1	Seal-Commutator ●
2	3257-42	1	Key-Woodruff
3	99-3538	1	End Cover ASM
3:1		1	Spring Cap And O-Ring ASM ●
3:2	99-3541	1	Spring
3:3	99-3540	1	Ball
4	99-3540	1	Ball
5	99-3541	1	Spring
6	132-4421	1	O-Ring

● Not serviced separately



Rear Wheel Assembly

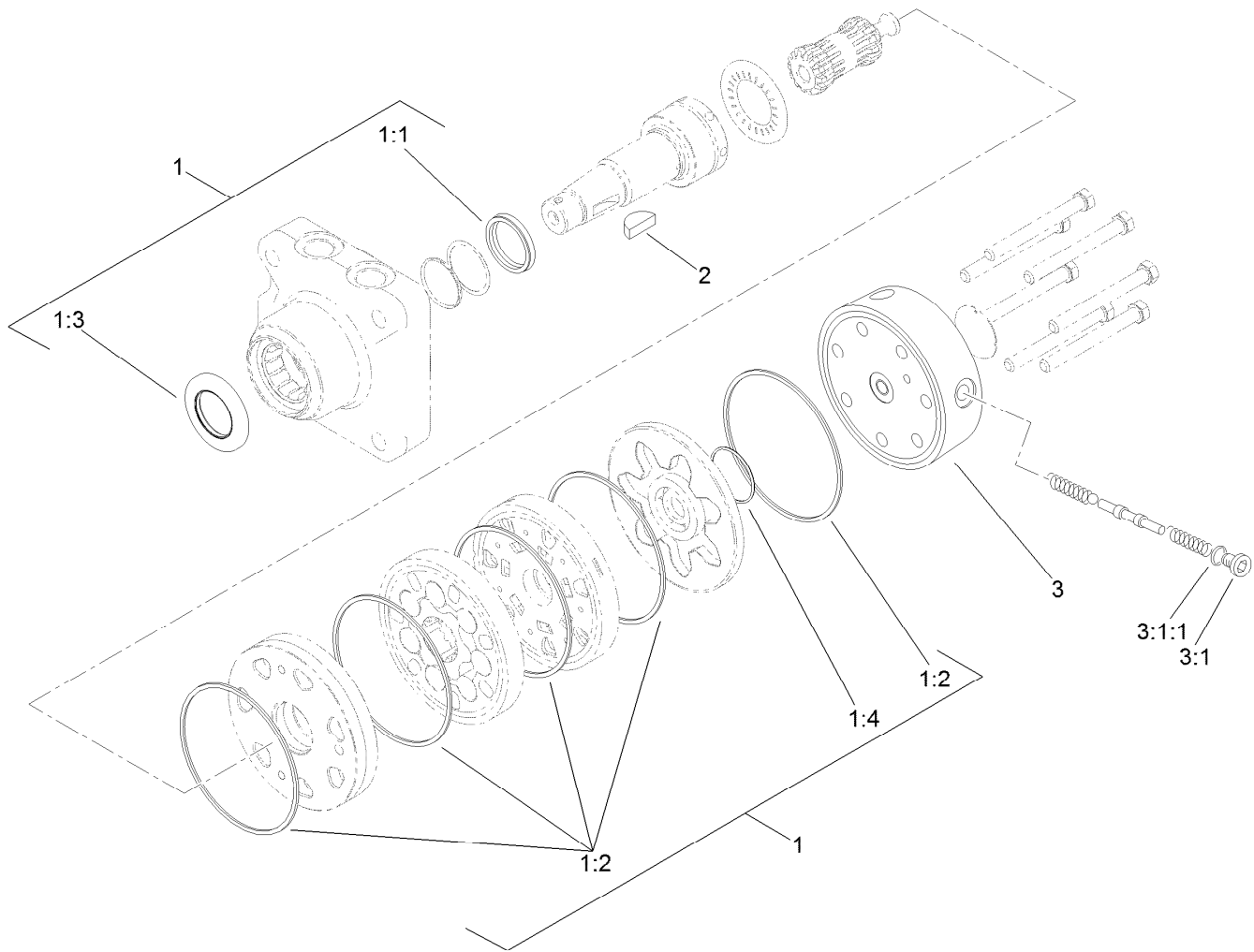
Ref.	Part Number	Qty.	Description	Ref.	Part Number	Qty.	Description
1	323-7	1	Screw-HH	24	19-1470	1	Screw-Shoulder
2	3256-3	3	Washer-Flat	25	32120-47	2	Ring-Retaining, External
3	32151-47	1	Ring-Retaining	26	256-257	2	Bushing-Nyliner
4	108-7991-03	1	Lever-Brake	27	108-7979-03	1	Bellcrank
5	108-7994	1	Bushing-Pivot, Lever	28	104-8300	4	Nut-HF, NI
6	121-2520	1	Brake Lever Bracket ASM	29	108-7983	1	Bushing-Cable
7	104-8301	1	Nut-HF, NI	30	66-4270	1	Spring-Extension
8	322-11	2	Screw-HH	32	108-2947	1	HYD Motor ASM (CCW)
9	3256-23	2	Washer-Plain	33	125-1967	2	Bracket-Brake, Park
10	121-4605	2	Washer-Spring	34	3253-7	8	Washer-Lock
11	21-1880	1	Grip-Handle	35	325-10	8	Screw-HH
12	108-2949	1	HYD Motor ASM (CW)	36	85-6540	8	Stud-Drive
13	108-7913	1	Cable-Brake, Park	37	108-7977-03	2	Hub-Wheel
14	108-7987	2	Link-Latch, Parking	38	26-3790	2	Nut-Lock
17	3290-307	4	Pin-Cotter	39	95-0621	2	Wheel And Tire ASM
19	107-3376	2	Spring-Compression	39:1	5108	1	Valve
21	19-1471	1	Screw-Shoulder	39:2	85-8290	1	Tire-2Ply, Knobby
22	114-0631	2	Clevis-Latch, Parking	39:3	94-6116	1	Wheel-Rear
23	108-7986-03	2	Bar-Brake	40	242-50	8	Nut-Lug



Hydraulic Motor Assembly No. 108-2949

Ref.	Part Number	Qty.	Description
1	110-6459	1	Seal Kit
1:1		1	Seal-Shaft ●
1:2		5	Seal-Body ●
1:3		1	Seal-Dirt/Water ●
1:4		1	Seal-Commutator ●
2	3257-42	1	Key-Woodruff

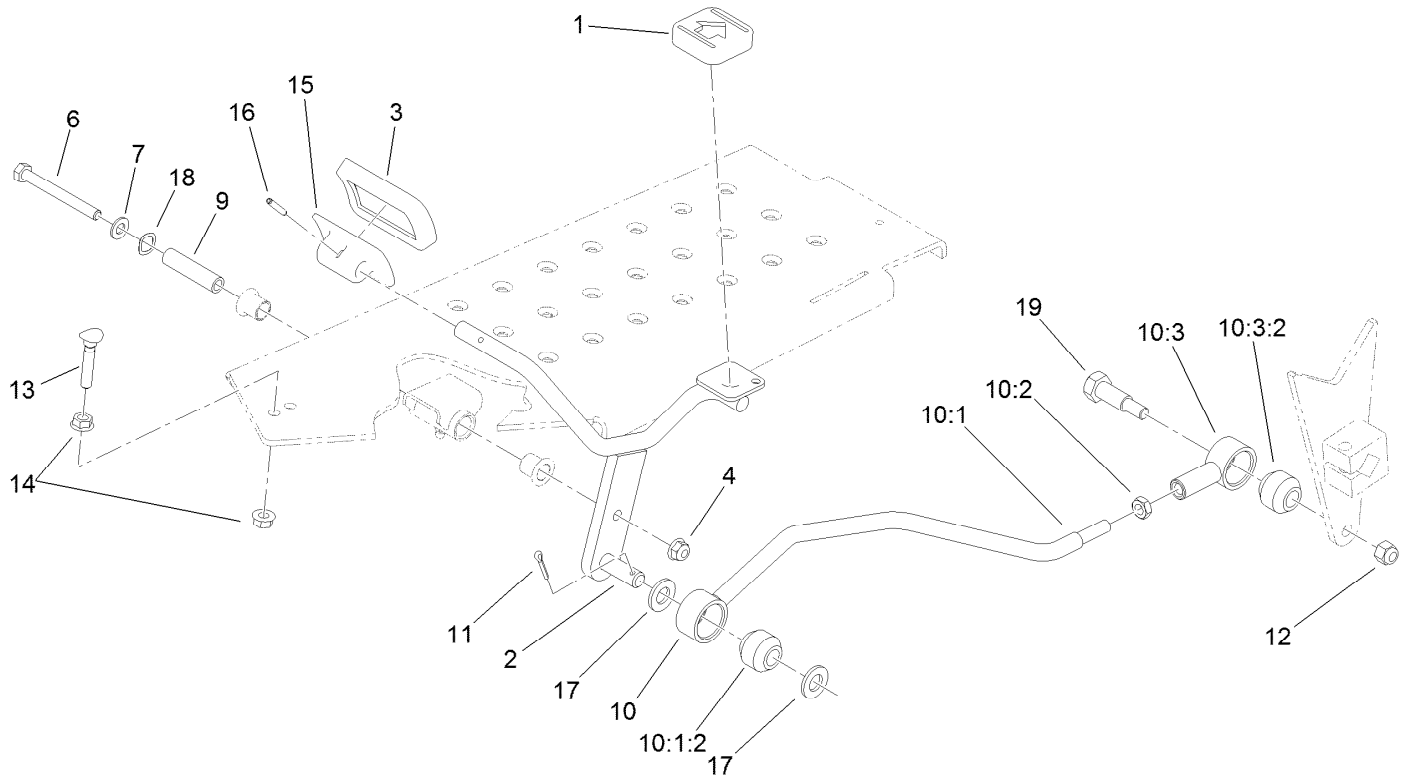
● Not serviced separately



Hydraulic Motor Assembly No. 108-2947

Ref.	Part Number	Qty.	Description
1	110-6459	1	Seal Kit
1:1		1	Seal-Shaft ●
1:2		5	Seal-Body ●
1:3		1	Seal-Dirt/Water ●
1:4		1	Seal-Commutator ●
2	3257-42	1	Key-Woodruff
3	110-3381	1	End Cover ASM
3:1	353-990	1	Plug ASM
3:1:1	237-78	1	O-Ring

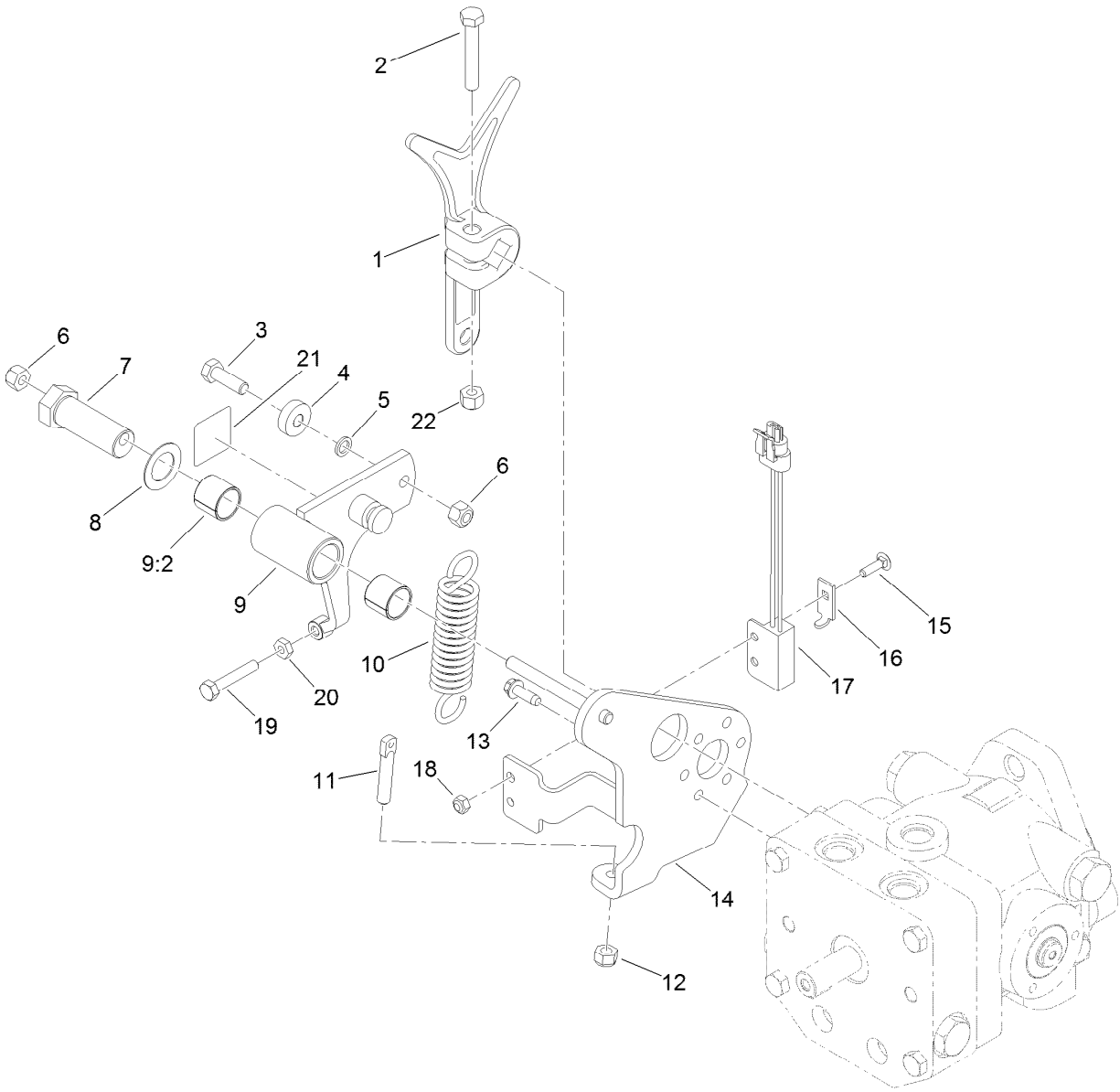
● Not serviced separately



Traction Pedal Assembly

Ref.	Part Number	Qty.	Description	Ref.	Part Number	Qty.	Description
1	74-9110	1	Pad-Pedal, Reverse	10:3	115-5623	1	Isolated Rod End ASM
2	108-5498-01	1	Pedal	10:3:2	23-2270	1	Bushing-Rubber
3	74-9100	1	Pad-Pedal, Forward	11	3272-10	1	Pin-Cotter
4	104-8300	1	Nut-HF, NI	12	3296-39	1	Nut-Lock, NI
6	322-14	1	Screw-HH	13	17-9420	1	Screw-Handle
7	3256-23	1	Washer-Plain	14	32128-20	2	Nut-HF
9	85-8960	1	Spacer	15	117-9507	1	Pedal-Accelerator
10		1	Traction Rod ASM ●	16	32121-45	1	Pin-Spring
10:1	115-5626	1	Rod ASM	17	106-9888	2	Washer-Flat
10:1:2	23-2270	1	Bushing-Rubber	18	108473	1	Washer-Wave
10:2	3220-3	1	Nut-HJ	19	117-4698	1	Screw-Shoulder, HH

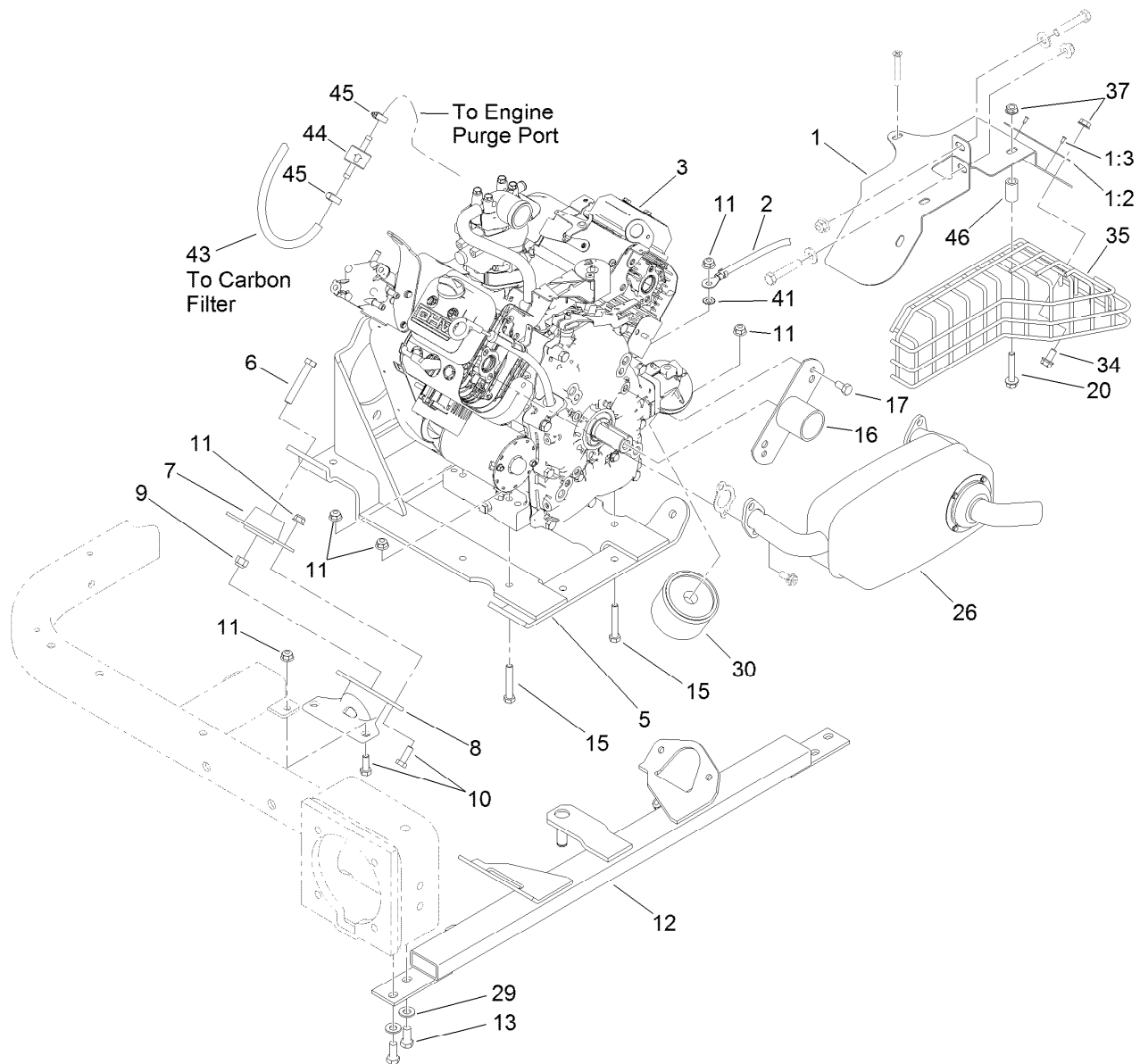
● Not serviced separately



Pump Control Lever Assembly

<i>Ref.</i>	<i>Part Number</i>	<i>Qty.</i>	<i>Description</i>
1	131-4399	1	Lever, Pump
2	323-11	1	Screw-HH
3	322-5	1	Screw-HH
4	251-307	1	Bearing-Ball
5	75-5470	1	Spacer-Bearing
6	3296-29	2	Nut-Lock, NI
7	76-8640	1	Stud-Traction
8	3-6498	1	Washer-Thrust
9	130-7832	1	Arm ASM
9:2	94-9609	2	Bushing-Straight
10	85-9030	1	Spring-Extension
11	18-6380	1	Pin-Adjustment, Steering

<i>Ref.</i>	<i>Part Number</i>	<i>Qty.</i>	<i>Description</i>
12	3296-4	1	Nut-Lock
13	49-2040	3	Screw-HWHTF
14	108-5490-03	1	Plate-Pump
15	3229-20	1	Screw-CARR
16	100-4872	1	Plate-Switch, Neutral
17	105-0023	1	Switch-Proximity
18	3296-2	1	Nut-Lock, NI
19	321-43	1	Capscrew
20	3218-1	1	Nut-Jam
21	93-9051	1	Decal-Bolt, Eccentric
22	3296-39	1	Nut-Lock, NI

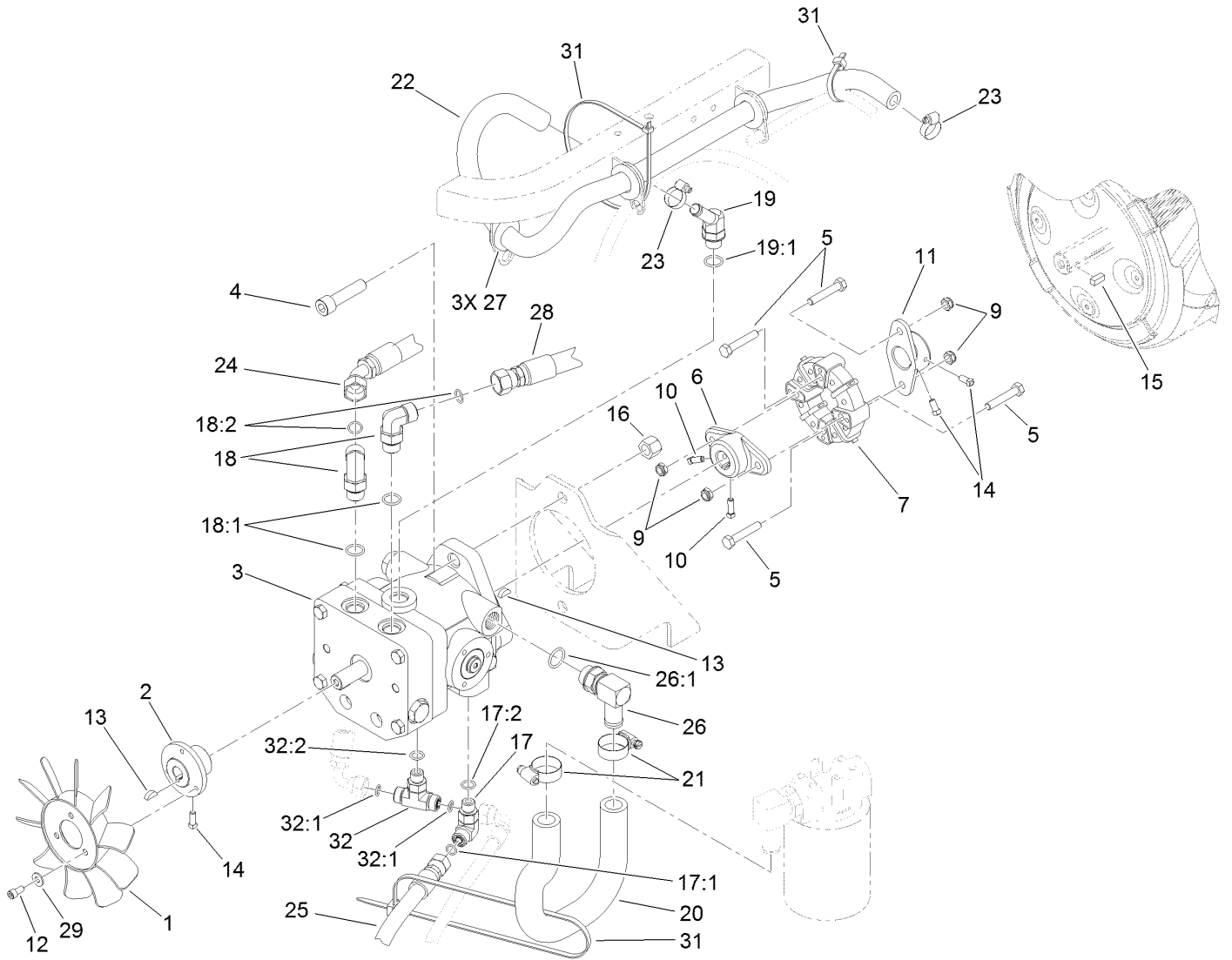


Engine Installation Assembly

Ref.	Part Number	Qty.	Description	Ref.	Part Number	Qty.	Description
1	119-7191	1	Muffler Shield ASM	15	322-10	4	Screw-HH
1:2	95-0645	1	Plate-Surface, Hot	16	95-0632-03	1	Cover
1:3	3269-32	2	Rivet-Pop	17	3210-2	2	Screw-HH
2	54-3093	1	Cable-Battery, Negative	20	94-5780	2	Screw-HWH
3	120-3403	1	Engine-Briggs, 356447-0304-G2 Gas ●	26	120-3476	1	Muffler-Dual Inlet
5	108-2809-03	1	Support-Engine	29	3256-24	4	Washer-Flat
6	323-11	4	Screw-HH	30	107-7817	1	Filter-Oil, Engine
7	121-9076	4	Mount-Engine	34	3234-14	2	Screw-HHF
8	125-1954	2	Mount-Front	35	110-6348-03	1	Shield-Exhaust
9	104-8301	4	Nut-HF, NI	37	32128-25	4	Nut-HF
10	322-4	12	Screw-HH	41	3255-8	1	Washer-Lock
11	104-8300	16	Nut-HF, NI	43	117-9569	1	Hose-Fuel
12	120-3461-01	1	Mount-Engine	44	133-8499	1	Valve-Check, Vacuum
13	323-5	4	Screw-HH	45	2412-108	2	Clamp-Worm
				46	59-2580	2	Spacer-Tubular

● Obtain parts from www.briggsandstratton.com

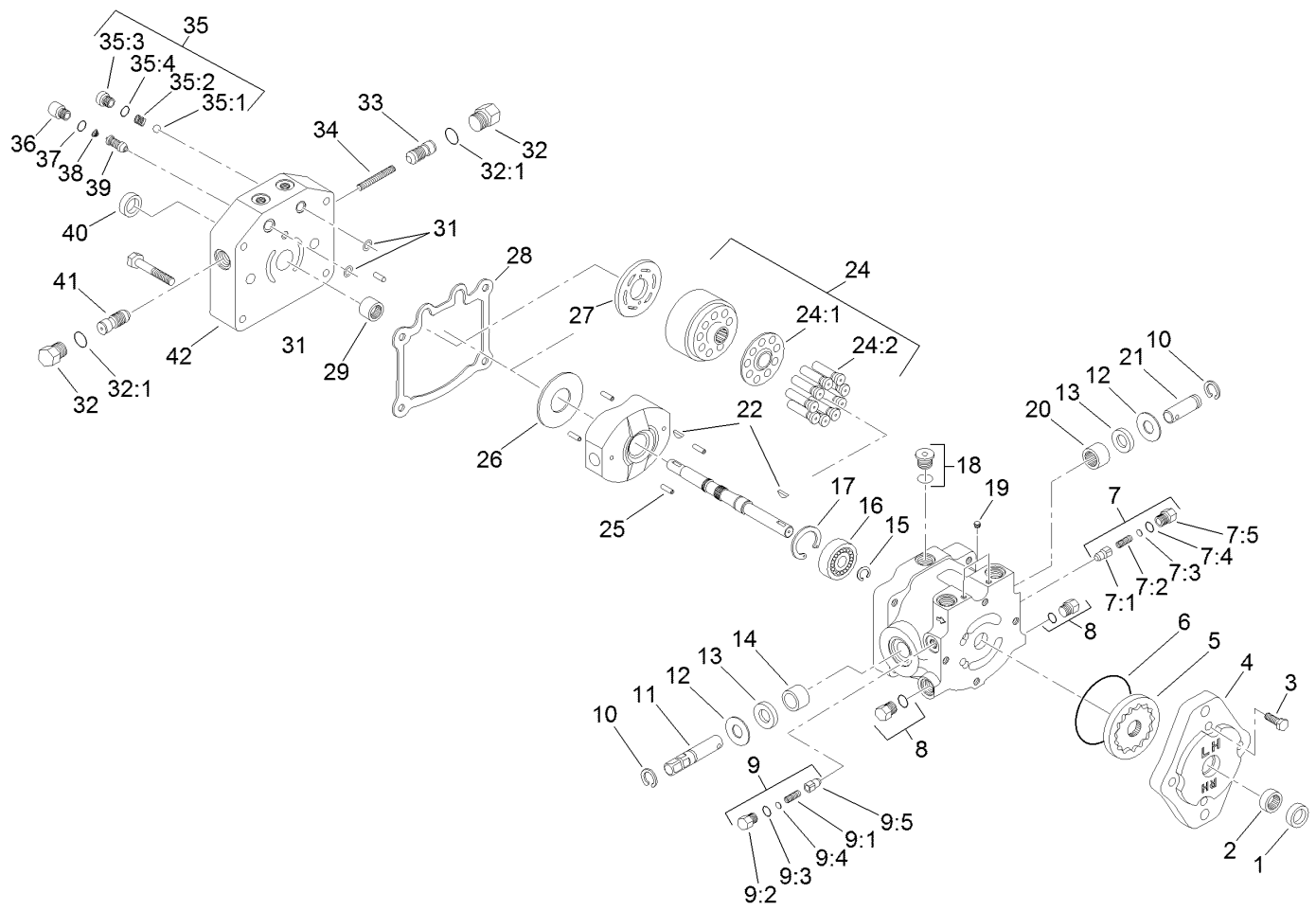
Pump and Coupling Assembly



Pump and Coupling Assembly (continued)

<i>Ref.</i>	<i>Part Number</i>	<i>Qty.</i>	<i>Description</i>	<i>Ref.</i>	<i>Part Number</i>	<i>Qty.</i>	<i>Description</i>
1	1-633869	1	Fan-Pump, Cooling	18:1	237-79	1	O-Ring
2	108-5484	1	Hub-Fan	18:2	237-30	1	O-Ring
3	132-4350	1	Pump-Piston, Variable	19	354-126	1	Fitting-Elbow, 45
4	3274-5	2	Screw-HSH	19:1	237-79	1	O-Ring
5	322-9	4	Screw-HH	20	108-5481	1	Hose-Suction
6	110-9695	1	Hub-Pump	21	2412-129	2	Clamp-Hose
7	119-0652	1	Coupler-Rubber	22	110-1325	1	Hose-Return
9	3296-47	4	Nut-Lock, NI	23	2412-36	2	Clamp-Hose
10	3241-6	2	Screw-SQH	24	108-8440	1	Hose ASM
11	110-5236	1	Hub-Engine	25	108-8428	1	HYD Hose ASM
12	3274-52	3	Screw-HSH	26	87-8170	1	Fitting-90
13	3257-32	2	Key-Woodruff	26:1	237-80	1	O-Ring
14	3241-7	4	Screw-SQH	27	240-4	3	Grommet-Rubber
15	85-9020	1	Key-Square	28	110-1322	1	HYD Hose ASM
16	3296-23	2	Nut-Lock, NI	29	3256-22	3	Washer-Flat
17	340-77	1	Fitting-Elbow, 90 DEG	31	3290-379	4	Tie-Cable
17:1	237-22	1	O-Ring	32	340-94	1	Adapter
17:2	237-42	1	O-Ring	32:1	237-22	2	O-Ring
18	340-98	2	Fitting-Elbow, 90 DEG	32:2	237-42	1	O-Ring

Variable Piston Pump Assembly No. 132-4350

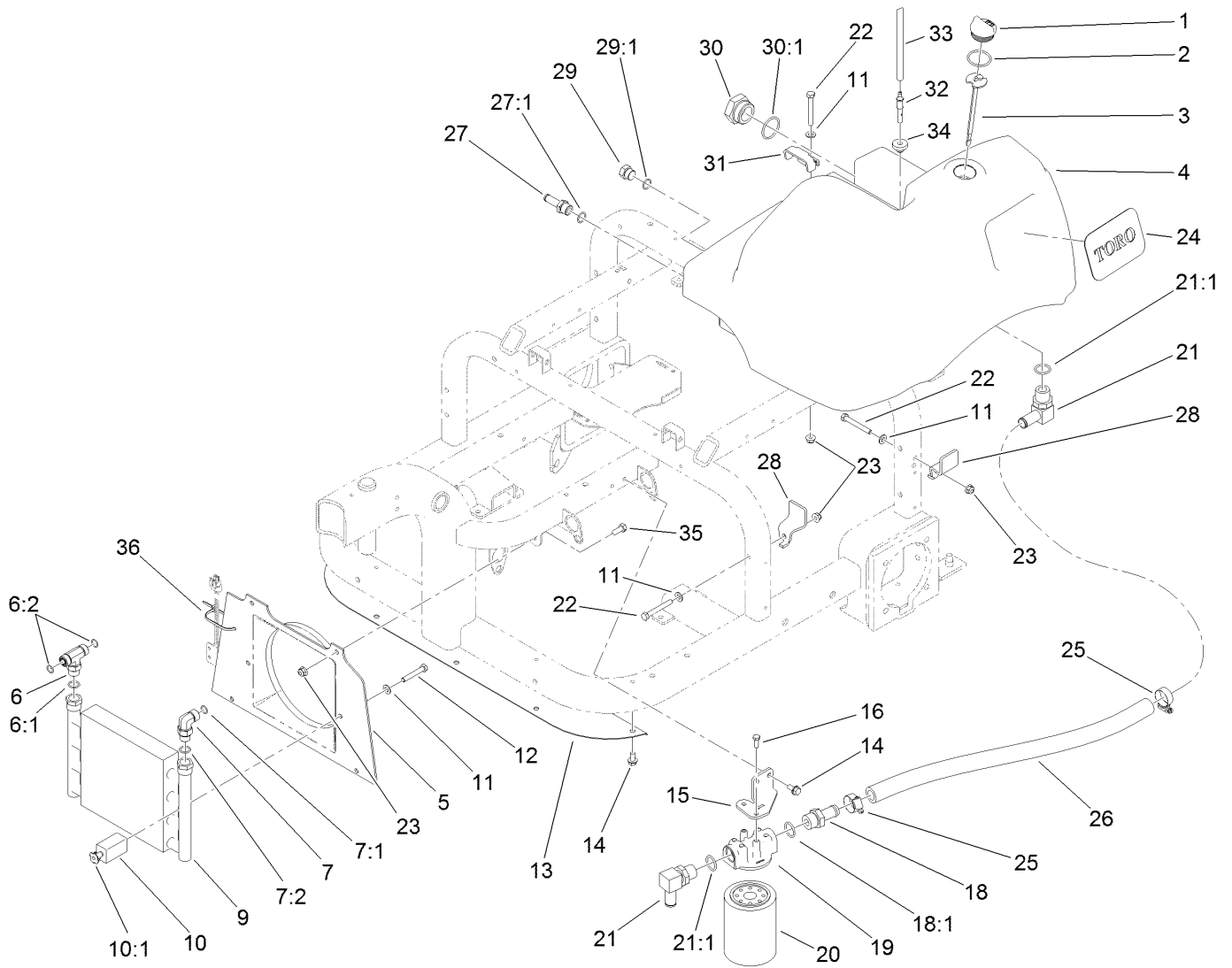


Variable Piston Pump Assembly No. 132-4350 (continued)

<i>Ref.</i>	<i>Part Number</i>	<i>Qty.</i>	<i>Description</i>	<i>Ref.</i>	<i>Part Number</i>	<i>Qty.</i>	<i>Description</i>
1	93-4133	1	Seal-Lip	20	252-82	1	Bearing-Needle
2	67-8050	1	Bearing-Needle	21	25-2500	1	Shaft-Trunnion
3	322-4	4	Screw-HH	22	3257-32	2	Key-Woodruff
4	114-0611	1	Housing-Pump, Charge	24	48-1800	1	Cylinder Block Kit
5	95-5812	1	Gerotor ASM	24:1		1	Retainer-Slipper ●
6	237-95	1	O-Ring	24:2		9	Piston ASM ●
7	49-8520	1	Implement Relief Kit	25	32121-91	4	Pin-Spring
7:1	83-7260	1	Cone-Relief, Charge	26	25-2380	1	Plate-Thrust
7:2	25-2570	1	Spring-Valve	27	88-8160	1	Plate-Valve
7:3	25-2470	1	Pack-Shim	28	25-2400	1	Gasket
7:4	237-86	1	O-Ring	29	110-6341	1	Bearing-Roller
7:5	25-2460	1	Plug-HH	31	112-7652	2	O-Ring
8	67-8030	2	Plug ASM	32	28-3440	2	Plug-Threaded
9	49-8510	1	Valve Kit	32:1	75-0240	1	O-Ring
9:1	25-2480	1	Spring-Valve	33	98-0920	1	Valve-Acceleration
9:2	25-2460	1	Plug-HH	34	25-2610	1	Spring-Valve
9:3	237-86	1	O-Ring	35	99-5689	1	Check Valve Kit
9:4	25-2470	1	Pack-Shim	35:1	25-2490	1	Ball
9:5	83-7260	1	Cone-Relief, Charge	35:2	25-2640	1	Spring-Valve
10	32151-46	2	Ring-Retaining	35:3	25-2650	1	Plug-Valve, Check
11	88-8180	1	Shaft-Trunnion	35:4	237-86	1	O-Ring
12	25-2510	2	Washer-Flat	36	75-0190	1	Plug-Special
13	25-3210	2	Seal-Lip	37	75-0240	1	O-Ring
14	88-8190	1	Bearing-Journal	38	110-6342	1	Spring
15	32151-83	1	Ring-Snap	39	110-6343	1	Valve-Scr
16	95-5809	1	Bearing-Ball	40	132-4357	1	Seal-Lip
17	32151-75	1	Ring-Retaining	41	98-0920	1	Valve-Acceleration
18	67-9090	1	Plug	42	112-7651	1	Cap-End
19	75-0160	1	Plug-Pipe				

● Not serviced separately

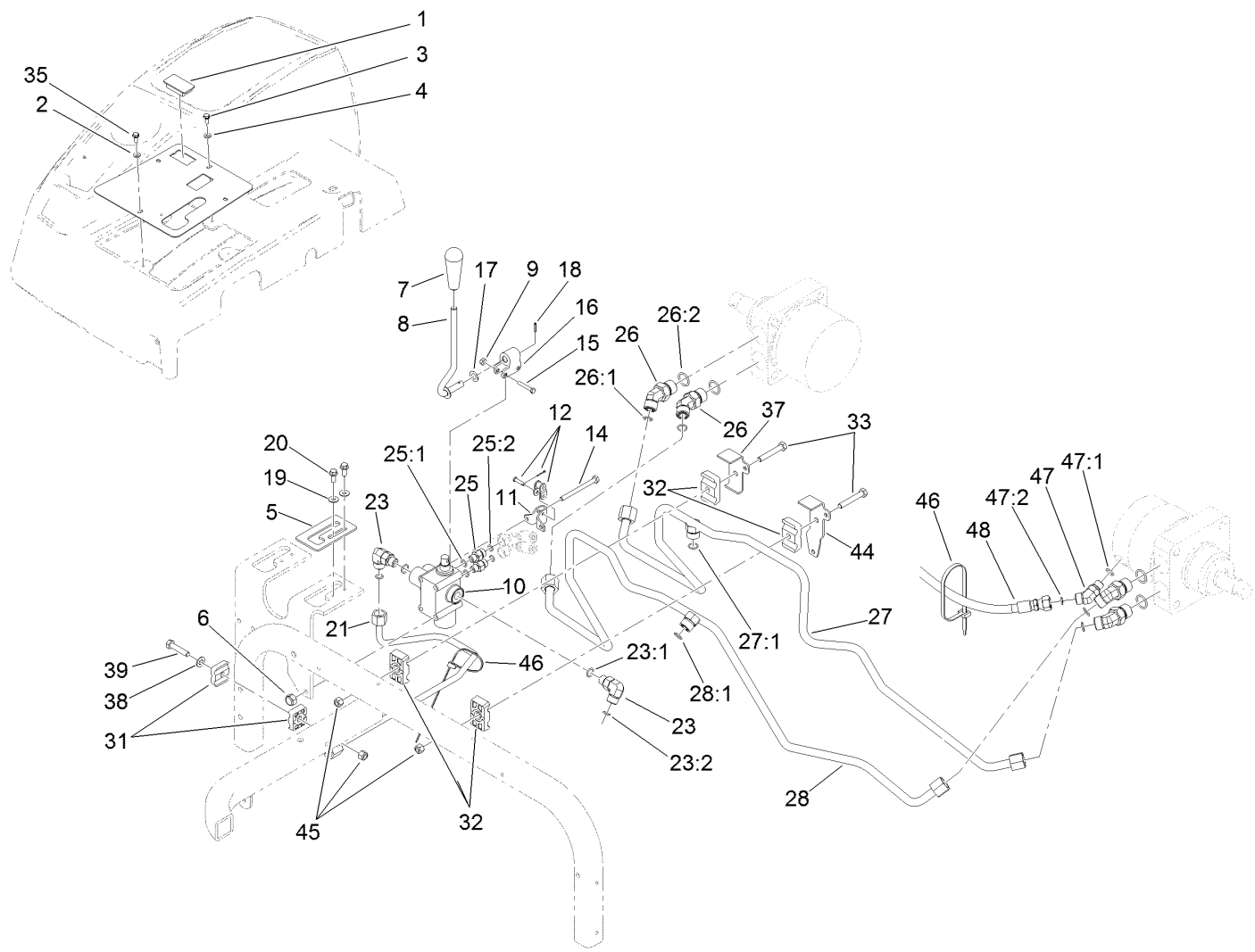
Hydraulic Tank, Filter and Cooler Assembly



Hydraulic Tank, Filter and Cooler Assembly (continued)

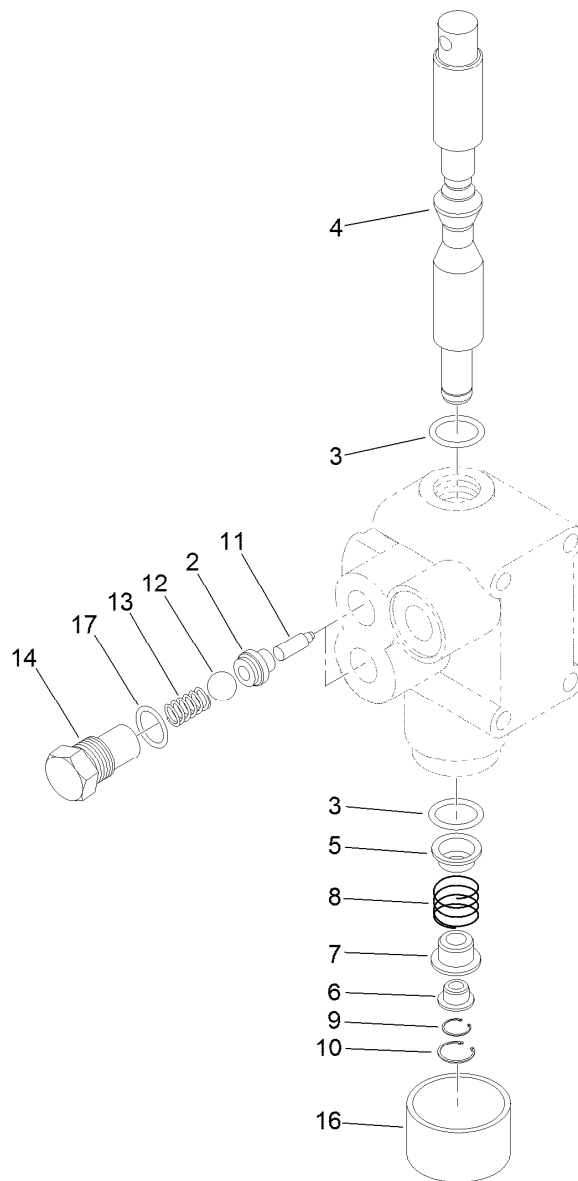
<i>Ref.</i>	<i>Part Number</i>	<i>Qty.</i>	<i>Description</i>	<i>Ref.</i>	<i>Part Number</i>	<i>Qty.</i>	<i>Description</i>
1	93-7498	1	Plug-Plastic	19	68-8990	1	Head-Filter
2	237-101	1	O-Ring	20	54-0110	1	Filter-Oil, Transmission
3	108-7996	1	Dipstick ASM	21	353-987	2	Fitting-Elbow, 90
4	119-9040	1	Tank-Hydraulic	21:1	237-81	1	O-Ring
5	108-5477	1	Shroud-Fan	22	322-12	5	Screw-HH
6	340-157	1	Fitting-HYD, Tee	23	104-8300	9	Nut-HF, NI
6:1	237-79	1	O-Ring	24	108-8452	1	Decal-Logo
6:2	237-30	2	O-Ring	25	2412-129	2	Clamp-Hose
7	340-98	1	Fitting-Elbow, 90 DEG	26	108-5483	1	Hose-Suction, Tank
7:1	237-79	1	O-Ring	27	354-121	1	Fitting-STR
7:2	237-30	1	O-Ring	27:1	237-79	1	O-Ring
9	108-8457	1	Cooler-Oil	28	108-7965	2	Clamp-Tank, HYD
10	85-9550	2	Rubber Clamp ASM	29	353-550	1	Plug-HYD, HH
10:1	85-9670	1	Nut-T	29:1	237-79	1	O-Ring
11	3256-23	7	Washer-Plain	30	108-8468	1	Plug-HH
12	322-11	2	Screw-HH	30:1	237-101	1	O-Ring
13	121-2474-03	1	Panel-Cooler	31	108-7903	1	Clamp-Tank
14	32144-14	7	Screw-HWHTF	32	110-1372	1	Fitting-Vent, Tank
15	108-5482	1	Bracket-Filter, Oil	33	110-8181	1	Hose-Fuel
16	3234-4	2	Screw-HHF	34	46-6560	1	Bushing
18	354-73	1	Fitting	35	322-3	4	Screw-HH
18:1	237-81	1	O-Ring	36	3290-379	1	Tie-Cable

Lift Valve and Rear Tube Assembly



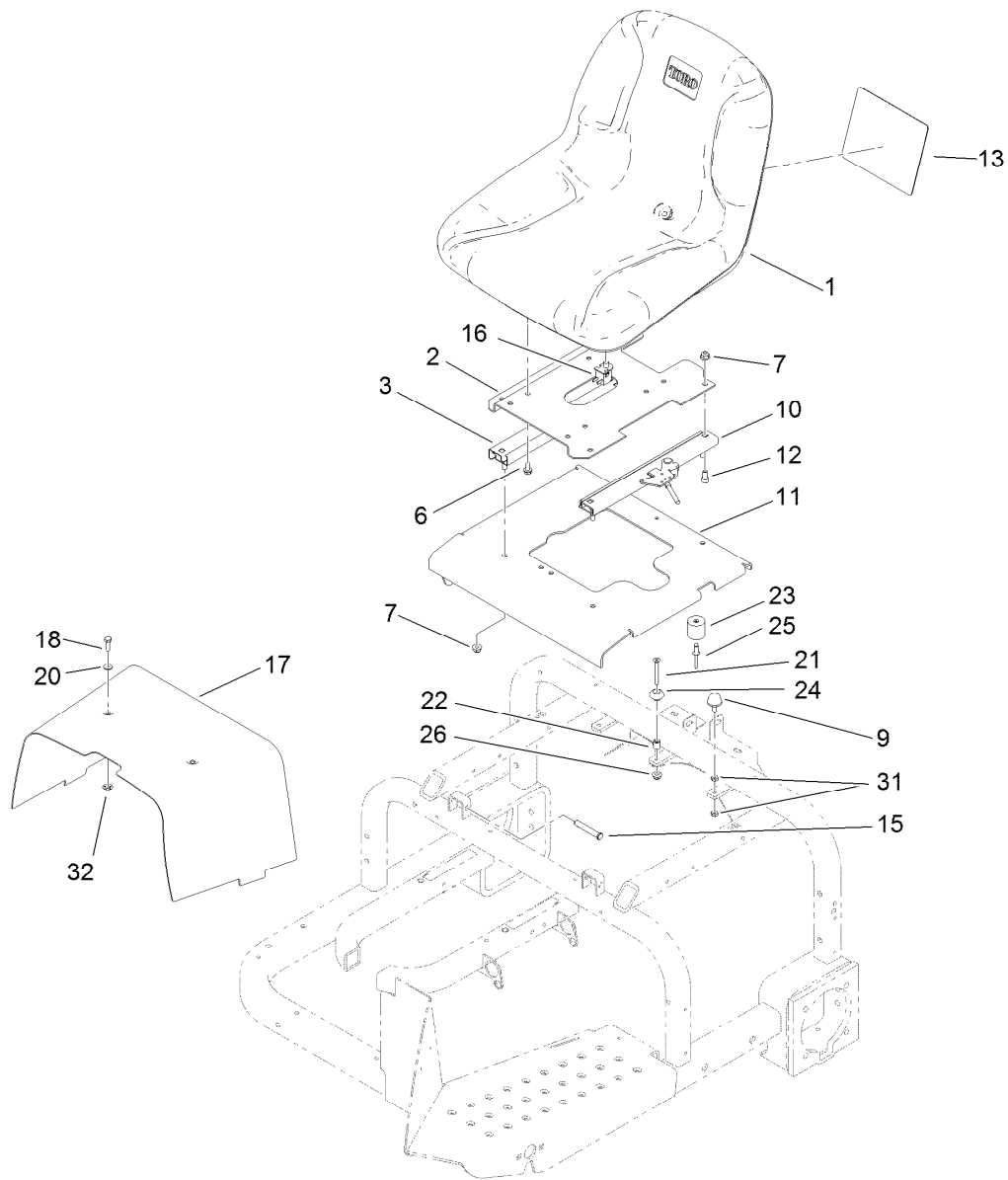
Lift Valve and Rear Tube Assembly (continued)

<i>Ref.</i>	<i>Part Number</i>	<i>Qty.</i>	<i>Description</i>	<i>Ref.</i>	<i>Part Number</i>	<i>Qty.</i>	<i>Description</i>
1	99-7420	1	Plug-Hole	25:1	237-78	1	O-Ring
2	108-7909-03	1	Panel-Control	25:2	237-21	1	O-Ring
3	3290-321	4	Screw-HWH	26	340-89	4	Fitting-HYD, 45 DEG
4	3256-51	4	Washer-Flat	26:1	237-30	1	O-Ring
5	108-7941	1	Plate-Guide, Lever	26:2	237-80	1	O-Ring
6	3296-42	3	Nut-Lock, NI	27	108-8406	1	Tube ASM
7	98-0152	1	Knob-Tapered	27:1	237-30	1	O-Ring
8	108-7942	1	Rear Lever ASM	28	110-1323	1	Tube ASM
9	3296-2	2	Nut-Lock, NI	28:1	237-30	1	O-Ring
10	121-9070	1	Valve ASM	31	56-7973	2	Clamp-Tube
11	88-8480	1	Bracket-Pivot	32	56-7976	4	Clamp-Tube
12	2710-20	1	Link-Offset	33	322-10	2	Screw-HH
14	321-23	3	Screw-HH	35	108-8484	1	Decal-Lift, Rear
15	3290-360	2	Screw-HH	37	110-1333	1	Bracket-Clamp
16	125-1944	1	Pivot-Hinge	38	3256-23	1	Washer-Plain
17	3290-477	1	Washer-Curved	39	322-7	1	Screw-HH
18	32121-73	1	Pin-Roll	44	110-1332	1	Bracket-Clamp
19	3256-1	2	Washer-Flat	45	3296-29	3	Nut-Lock, NI
20	3234-33	2	Screw-HHF	46	3290-378	2	Tie-Cable
21	108-8416	1	Tube ASM	47	340-87	1	Fitting-Elbow-45
23	340-77	2	Fitting-Elbow, 90 DEG	47:1	237-22	1	O-Ring
23:1	237-22	1	O-Ring	47:2	237-42	1	O-Ring
23:2	237-42	1	O-Ring	48	112-1411	1	Hose-HYD
25	340-92	2	Fitting-Straight				



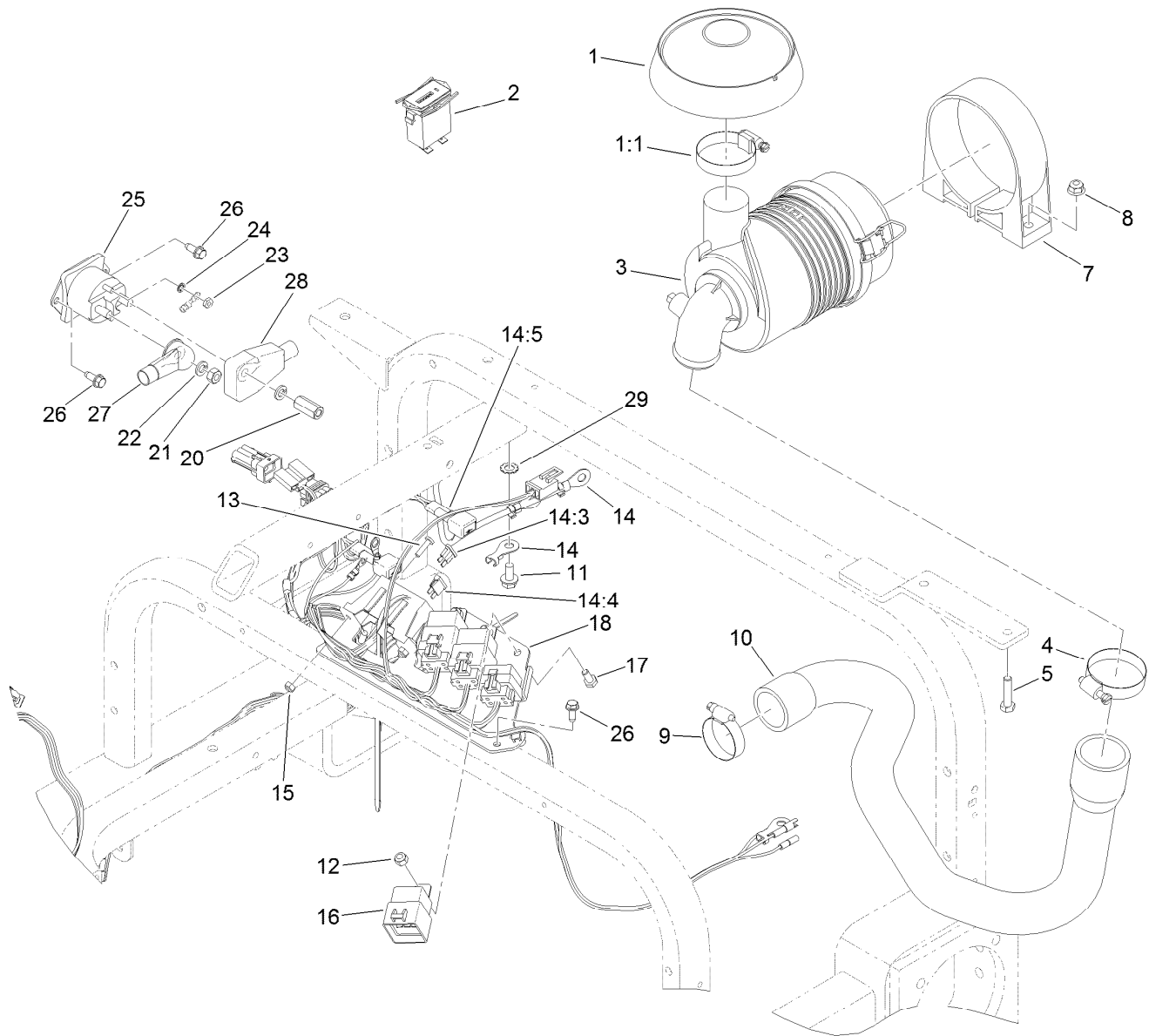
Hydraulic Valve Assembly No. 121-9070

Ref.	Part Number	Qty.	Description
2	22-8370	2	Seat-Valve
3	22-8500	2	O-Ring
4	22-8420	1	Spool
5	22-8380	1	Retainer
6	22-8400	1	Spacer
7	22-8390	1	Retainer
8	22-8410	1	Spring
9	22-8480	1	Ring-Snap
10	22-8490	1	Ring-Snap
11	22-8360	2	Pin
12	22-8350	2	Ball
13	22-8340	2	Spring
14	22-8330	2	Plug
16	138-2229	1	Cap
17	237-42	2	O-Ring



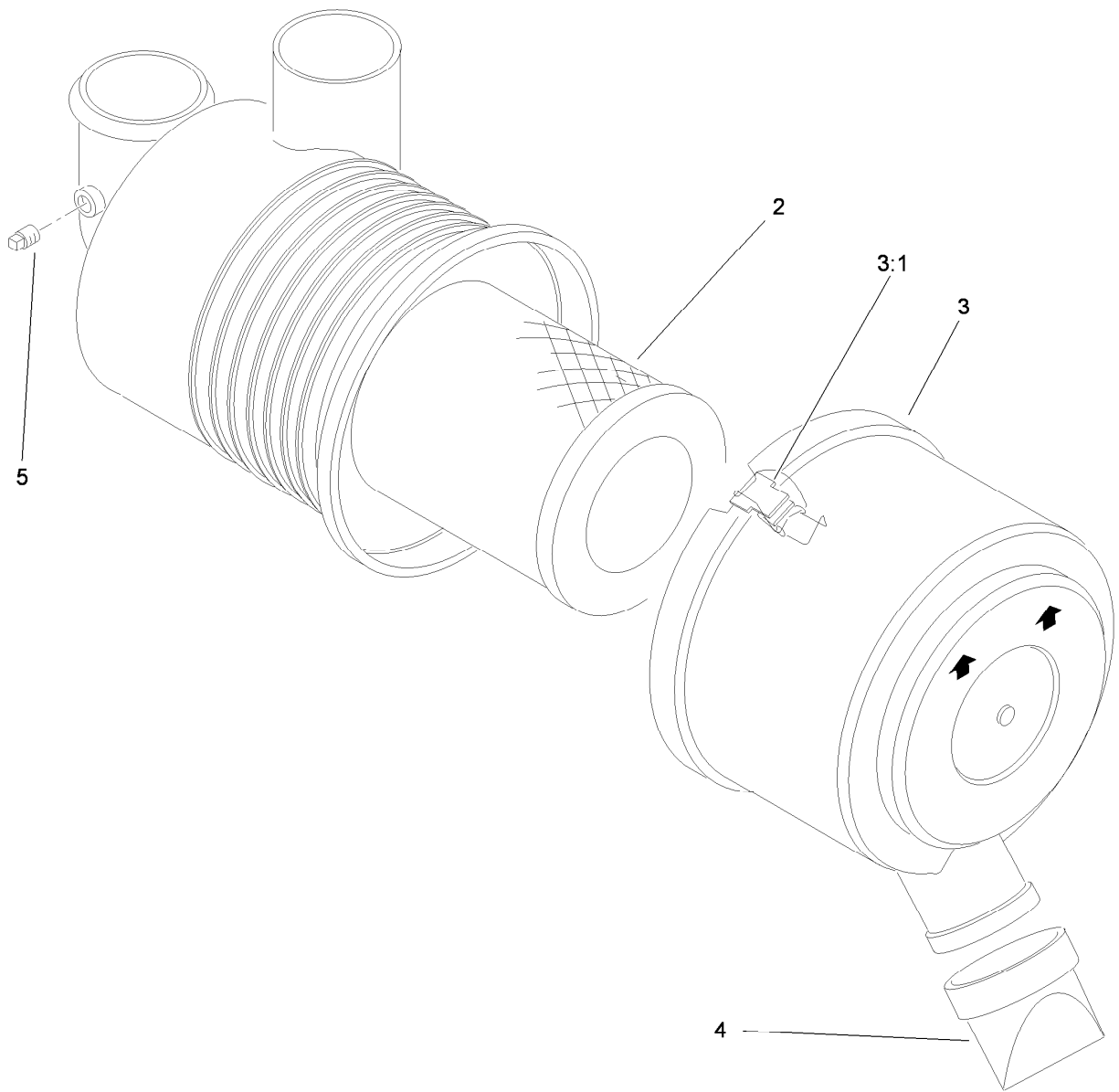
Seat and Shroud Assembly

<i>Ref.</i>	<i>Part Number</i>	<i>Qty.</i>	<i>Description</i>	<i>Ref.</i>	<i>Part Number</i>	<i>Qty.</i>	<i>Description</i>
1	108-6878	1	Seat	17	108-6859-01	1	Shroud-Center
2	108-7931-03	1	Base-Seat	18	321-5	2	Screw-HH
3	51-0780	1	Slider-Seat	20	3256-1	2	Washer-Flat
6	3234-14	4	Screw-HHF	21	363-1571	1	Screw-PFH
7	104-8300	8	Nut-HF, NI	22	609588	1	Spacer
9	1-523420	2	Bumper	23	99-7830	1	Receptical-Rubber
10	51-0790	1	Adjuster-Seat, LH	24	99-7833	1	Post-Holding
11	130-7834-03	1	Base-Seat	25	3290-412	1	Rivet-Blind
12	3274-12	4	Screw-HSH	26	104-7201	1	Nut-HF
13	132-4429	1	Decal-Service	31	3218-1	4	Nut-Jam
15	112-7153	2	Pin	32	106-8737	2	Nut-Retainer
16	82-2190	1	Switch-Bail				



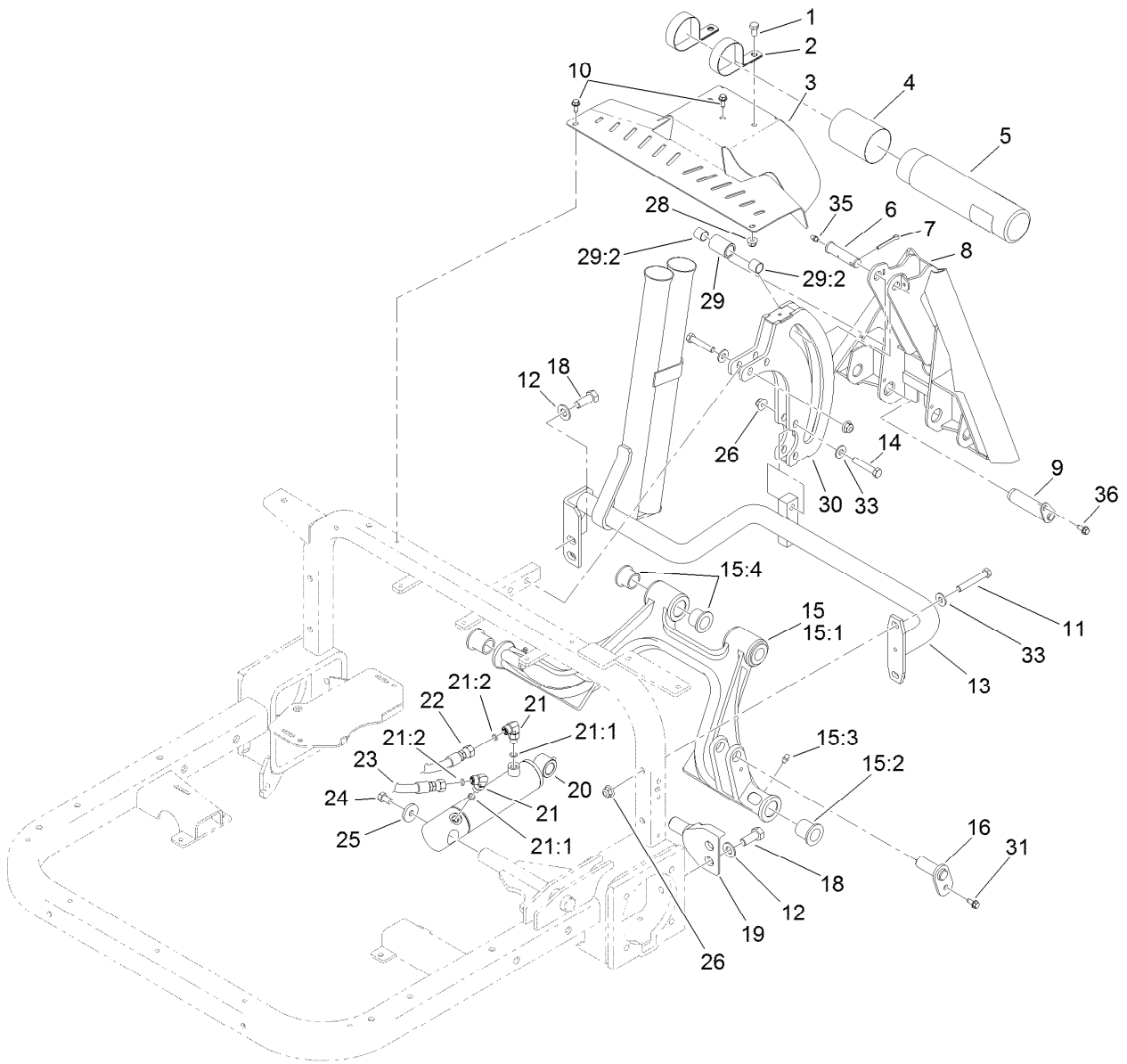
Wire Harness, Air Cleaner and Hose Assembly

Ref.	Part Number	Qty.	Description	Ref.	Part Number	Qty.	Description
1	136-7859	1	Rain Cap Kit	14:5	100-4918	2	Diode
1:1	1-643009	1	Clamp-Hose	15	3296-2	2	Nut-Lock, NI
2	1-513374	1	Meter-Hour	16	99-7430	3	Relay - Mini 280
3	93-2190	1	Air Cleaner ASM	17	321-3	3	Screw-HH
4	2412-92	1	Clamp-Hose	18	112-1444-01	1	Bracket-Relay
5	322-6	2	Screw-HH	20	110-3380	1	Nut-Standoff
7	95-5806	1	Bracket-Mounting	21	3218-13	1	Nut-Jam, Brass
8	104-8300	2	Nut-HF, NI	22	3253-4	2	Washer-Lock
9	2412-3	1	Clamp-Hose	23	3219-14	2	Nut-Hex
10	117-9576	1	Hose-Air	24	3254-1	2	Washer-Lock, Int
11	32144-14	1	Screw-HWHTF	25	28-4210	1	Solenoid
12	3296-42	3	Nut-Lock, NI	26	32144-10	4	Screw-HWH
13	3250-13	2	Screw-PPH	27	110-3315	1	Cable-Positive, Starter
14	122-0836	1	Harness-Wire, Sandpro	28	110-3314	1	Cable-Positive, Battery
14:3	218-578	2	Fuse-Blade, 10 Amp	29	3255-9	1	Washer-Lock
14:4	109355	1	Fuse-Blade, 15 Amp				



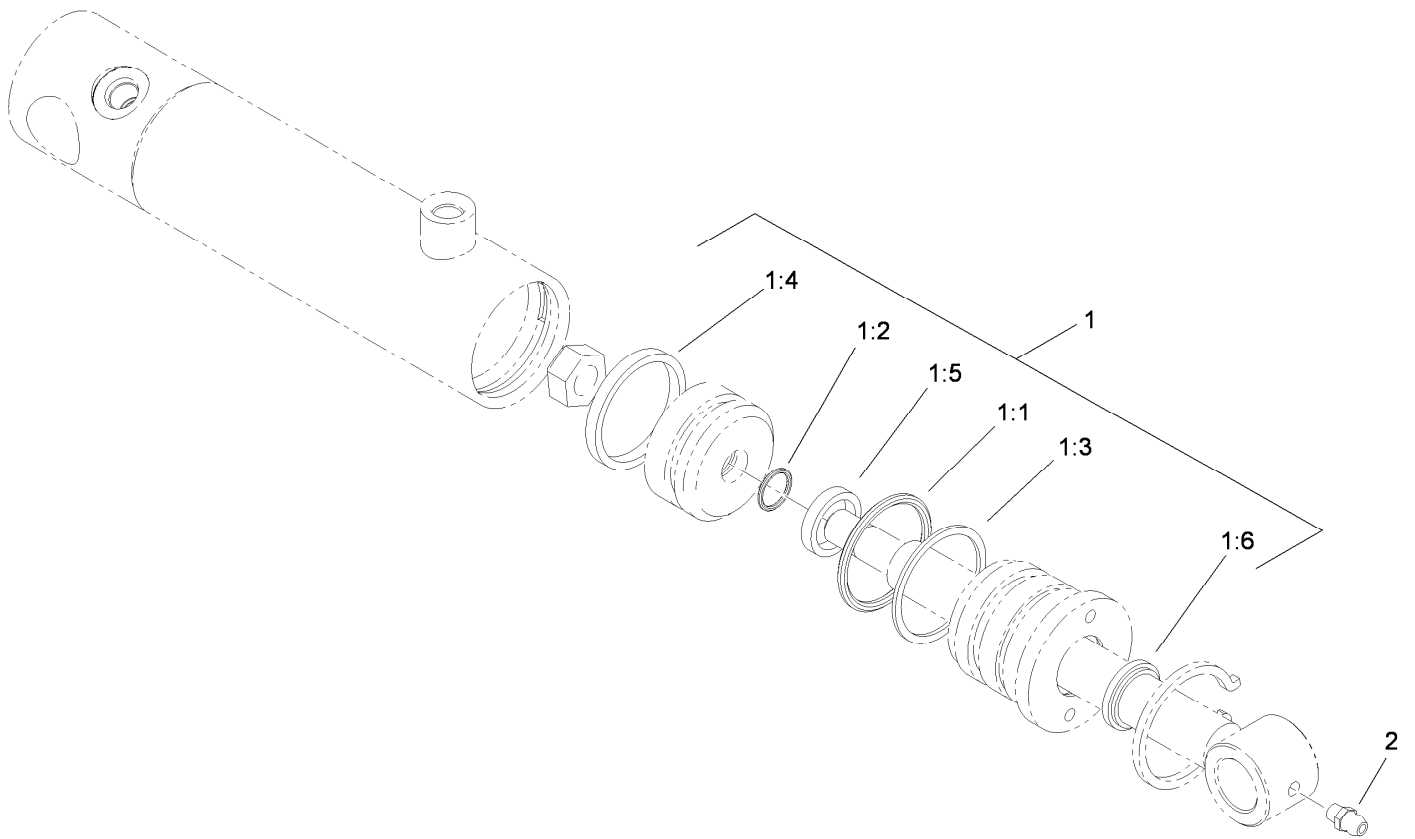
Air Cleaner Assembly No. 93-2190

<i>Ref.</i>	<i>Part Number</i>	<i>Qty.</i>	<i>Description</i>
2	108-3811	1	Filter-Air
3	94-3652	1	Cover ASM
3:1	1-643283	2	Latch-Cleaner, Air
4	87-9400	1	Valve-Vacuator
5	285-17	1	Plug-Pipe



Rear Hitch Assembly

Ref.	Part Number	Qty.	Description	Ref.	Part Number	Qty.	Description
1	322-2	2	Screw-HH	18	325-5	4	Screw-HH
2	2412-133	2	Clamp-R	19	115-5618	2	Pivot-Hub
3	121-9081-01	1	Cover-Rear	20	115-5647	1	HYD Lift Cylinder ASM
4	104-7048	1	Cap-Housing	21	340-132	2	Fitting-Elbow, 90
5	104-7050	1	Tube-Manual	21:1	237-78	1	O-Ring
6	108-2282	1	Pin-Clevis	21:2	237-21	1	O-Ring
7	3272-23	1	Pin-Cotter	22	95-8837	1	Hose ASM
8	130-7879-01	1	Frame-Adapter	23	100-3833	1	Hose-HYD
9	108-6885	2	Pin ASM	24	323-34	1	Screw-HH
10	32144-10	3	Screw-HWH	25	53-6380	1	Washer-Flat
11	323-12	2	Screw-HH	26	104-8301	6	Nut-HF, NI
12	3256-26	4	Washer-Flat	28	104-8300	2	Nut-HF, NI
13	120-3465-03	1	Frame-Hitch	29	108-5472	1	Tube ASM
14	323-10	4	Screw-HH	29:2	256-311	2	Bushing-Split
15	120-3457	1	Rear Hitch ASM	30	110-1368-01	1	Plate-Roller
15:1	115-5609-01	1	Hitch	31	32144-10	1	Screw-HWH
15:2	95-3577	2	Bushing	33	3256-3	6	Washer-Flat
15:3	302-5	4	Fitting-Grease	35	302-5	1	Fitting-Grease
15:4	33-3090	4	Bushing	36	99-8445	2	Screw-HWH
16	115-5648	1	Pin-Flag				



Hydraulic Lift Cylinder Assembly No. 115-5647

<i>Ref.</i>	<i>Part Number</i>	<i>Qty.</i>	<i>Description</i>
1	108-4597	1	Seal Kit
1:1		1	O-Ring ●
1:2		1	O-Ring ●
1:3		1	Ring-Back Up ●
1:4		1	Seal-Psp ●
1:5		1	Seal-Rod ●
1:6		1	Seal-Dust ●
2	302-5	1	Fitting-Grease

● Not serviced separately

Attachments and Accessories

For 08705 Sand Pro 5040 Traction Unit

Product Name	Model/Part
Midmount Toolbar System	08731
Tooth Rake	08751
Spring Rake	08752
Rear Broom	08753
Finish Grader	08754
Manual Blade	08714
Spiker	08755
Drag Mat Carrier System	08756
Debris Blower	08759
Rear Remote Hydraulic Kit	08781
Wheel and Tire Assembly	121-9077
Spark Arrestor Screen	119-7185
MVP Filter Kit.....	30035
Yellow Hydraulic Cap	107-1576
Draw Bar Hitch Assembly	110-1375
Light Kit.....	110-1314
Premium All Season Hydraulic Fluid (55 Gallon Drum)	108-1177
Speed Limiter Kit	110-1371
Premium All Season Hydraulic Fluid (5 Gallon Pail).....	108-1178
Smooth Wheel and Tire ASM.....	112-0034
Drag Mat Assembly	112-1424
Variable Orifice Kit	112-1433
Front Remote Hydraulics	08782
Premium All Purpose Grease (Tube)	108-1190
Front Lift Frame	08712
QAS Nail Drag	08761
QAS Bunker Pump	08765
Carbide Tine Pack	119-2152
Synthetic Turf Conditioner, Sand Pro/Infield Pro with QAS.....	08790
Turf Groomer, Sand Pro Traction Unit with QAS	08794
Yellow Hydraulic Fluid Cap (Tethered)	107-2174
Premium Engine Oil SAE 30 (Drum)	108-1196
Premium Engine Oil SAE 30 (Pail).....	108-1197

Notes:

Notes:

Notes:



Count on it.