



**Count on it.**

**Parts Catalog**

**Trans Pro 100  
Tow-Behind Trailer**

Model No. 04240—Serial No. 402950001 and Up



# Ordering Replacement Parts

To order replacement parts, please supply the part number, the quantity, and the description of each part desired.

## Understanding Reference Numbers

Each identified part in an illustration has a reference number. The reference number for a part also appears in the parts list, along with other information about the part.

This catalog uses two special reference number formats, one to indicate parts in a service assembly and another to indicate the quantity of a given part in an illustration.

## Service Assembly Reference Numbers

Parts in service assemblies have reference numbers in the form a:b. The a represents the reference number of the entire service assembly and the b represents a sequential number unique to each part within the service assembly.

For example, a wheel assembly might be identified by reference number 6, the tire by 6:1, the valve by 6:2, and the wheel by 6:3. When you order the assembly identified by reference number 6, you receive all parts identified by reference numbers 6:1, 6:2, and 6:3. However, you may also order any part individually. Reference numbers of this type appear in illustration and in parts lists.

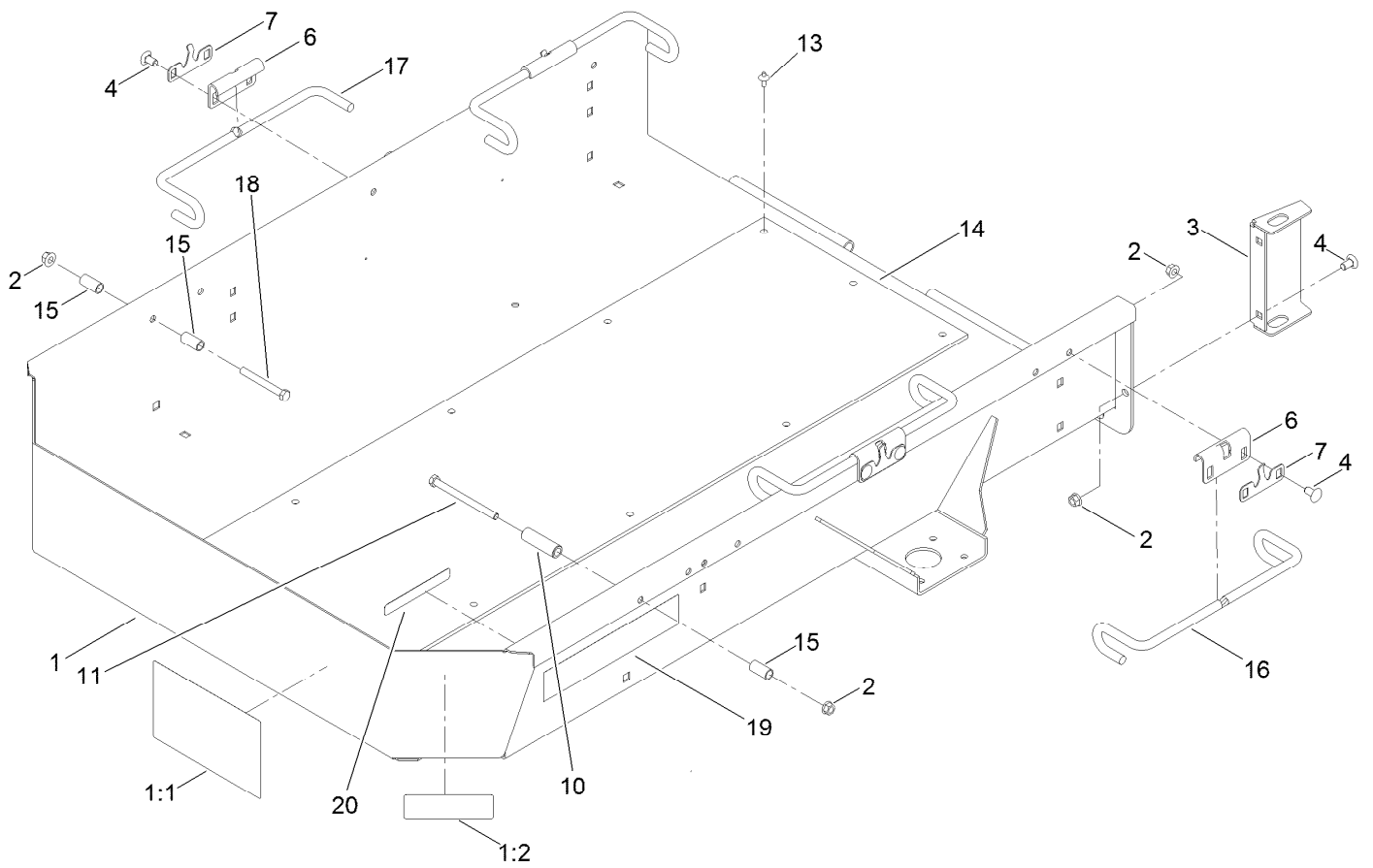
## Reference Numbers Indicating Quantity

In an illustration, if a reference number indicates more than one part, the reference number has the form nX y. The n represents the quantity of the part, the X is the multiplication symbol, and the y represents the reference number.

For example, in an illustration, the reference number 2X 37 means that two of the parts identified by reference number 37 are indicated.

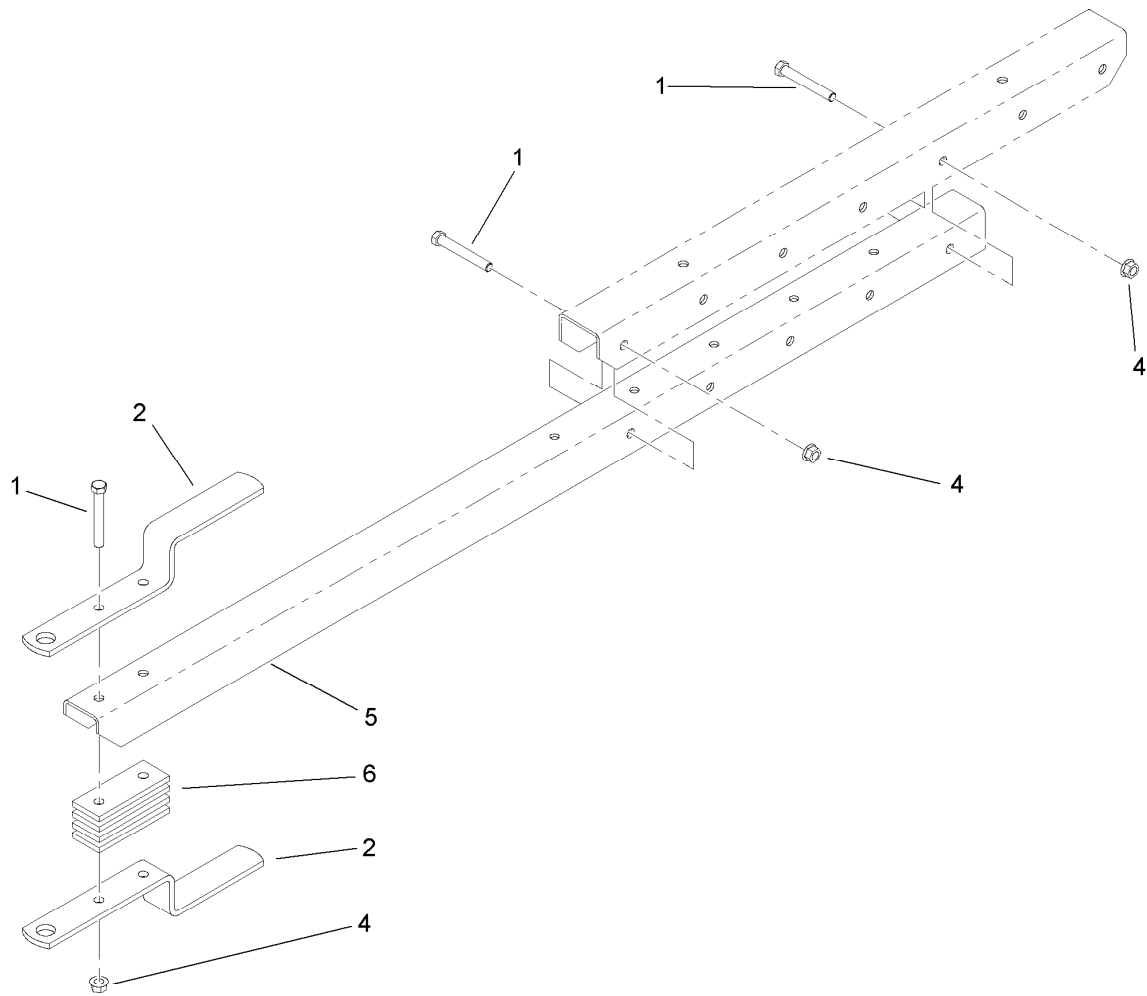
# Contents

Trailer Main Tub Assembly .....	4
Tongue Assembly .....	5
Ramp Assembly .....	6
Hub and Wheel Assembly .....	7
Hub and Axle Assembly No. 117-8255 .....	8
Attachments and Accessories .....	9



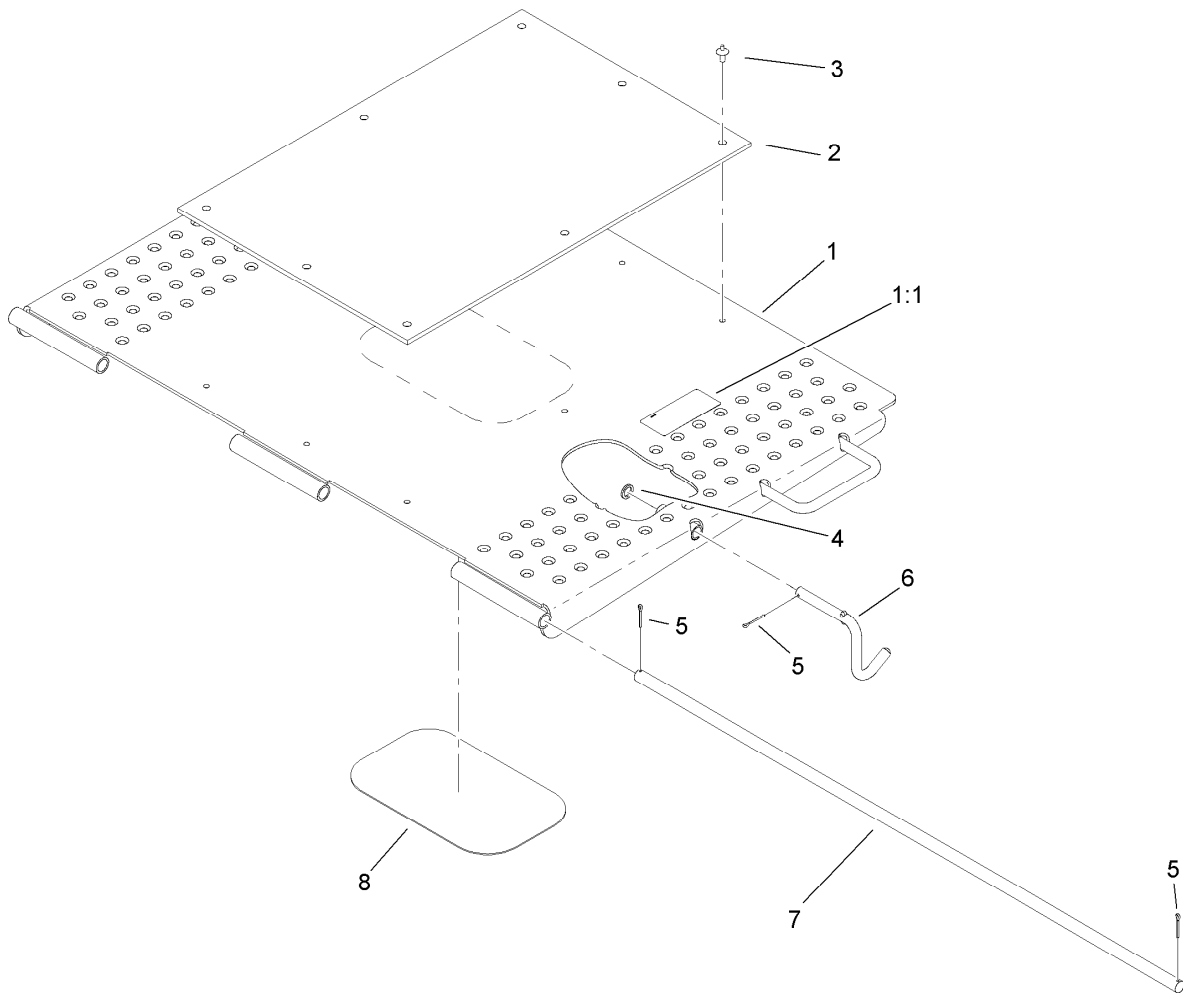
## Trailer Main Tub Assembly

<i>Ref.</i>	<i>Part Number</i>	<i>Qty.</i>	<i>Description</i>	<i>Ref.</i>	<i>Part Number</i>	<i>Qty.</i>	<i>Description</i>
1	104-0545	1	Bed ASM	11	323-38	1	Screw-HH
1:1	98-8688	1	Decal-Caution	13	105-5392	12	Rivet-Drive
1:2	98-8687	1	Decal-Pressure, Air	14	98-8776	1	Mat-Bed
2	32128-21	14	Nut-HF	15	98-8777	3	Spacer
3	98-8761-01	2	Guide-Wheel	16	136-8502	3	Rod-Trailer, Rear
4	3231-21	12	Screw-CARR	17	136-8501	1	Rod-Trailer, Front (RH)
6	108-3156	4	Bracket-Rod	18	323-20	1	Screw-HH
7	106-5354	4	Spring-Latch	19	98-8694	2	Decal
10	98-8756	1	Spacer-Stop	20	133-8061	1	Decal-Warning



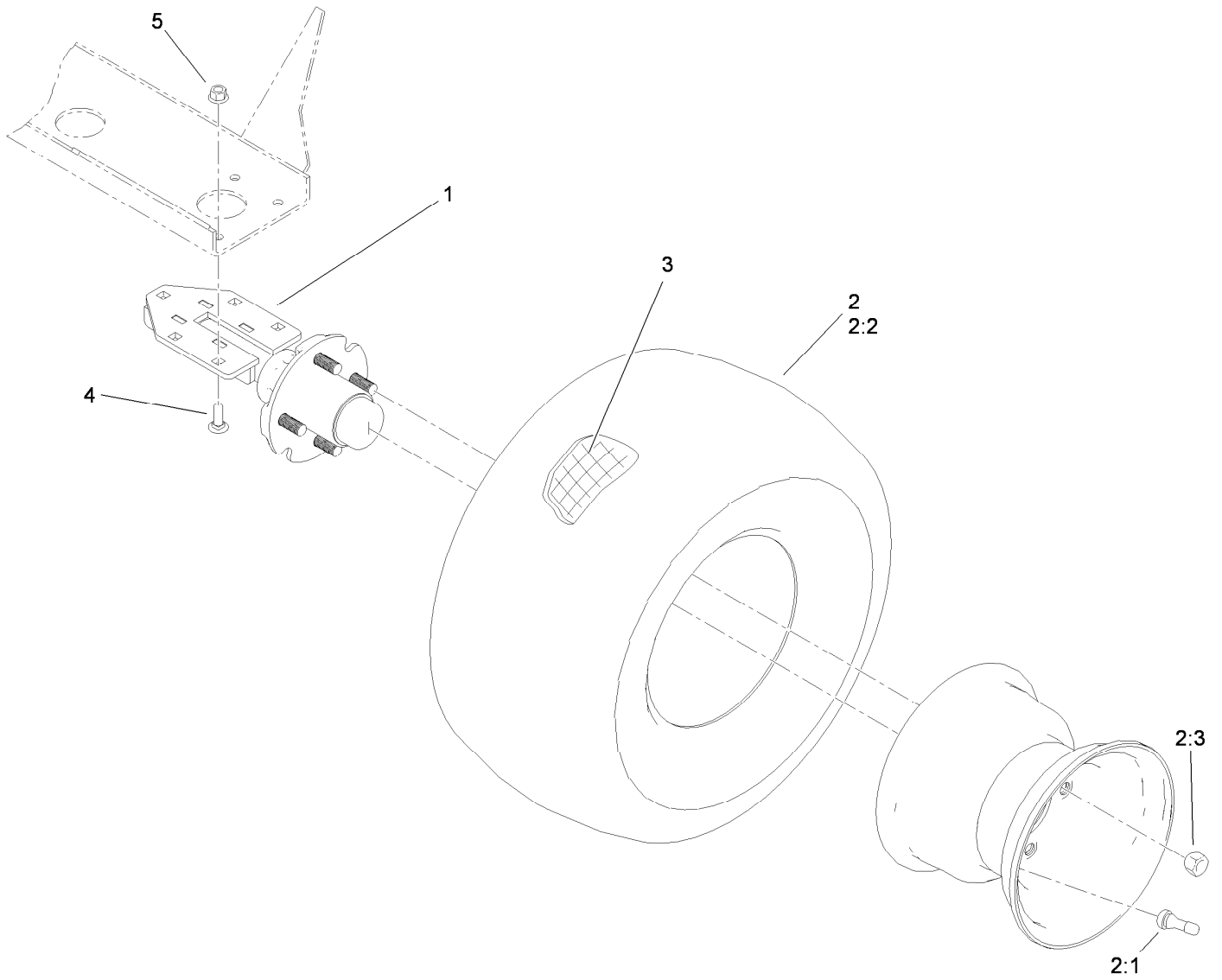
## Tongue Assembly

<i>Ref.</i>	<i>Part Number</i>	<i>Qty.</i>	<i>Description</i>
1	323-13	4	Screw-HH
2	98-8779-01	2	Hitch-Trailer
4	32128-21	4	Nut-HF
5	99-4543-01	1	Tongue-Trailer
6	98-8780	4	Spacer-Hitch



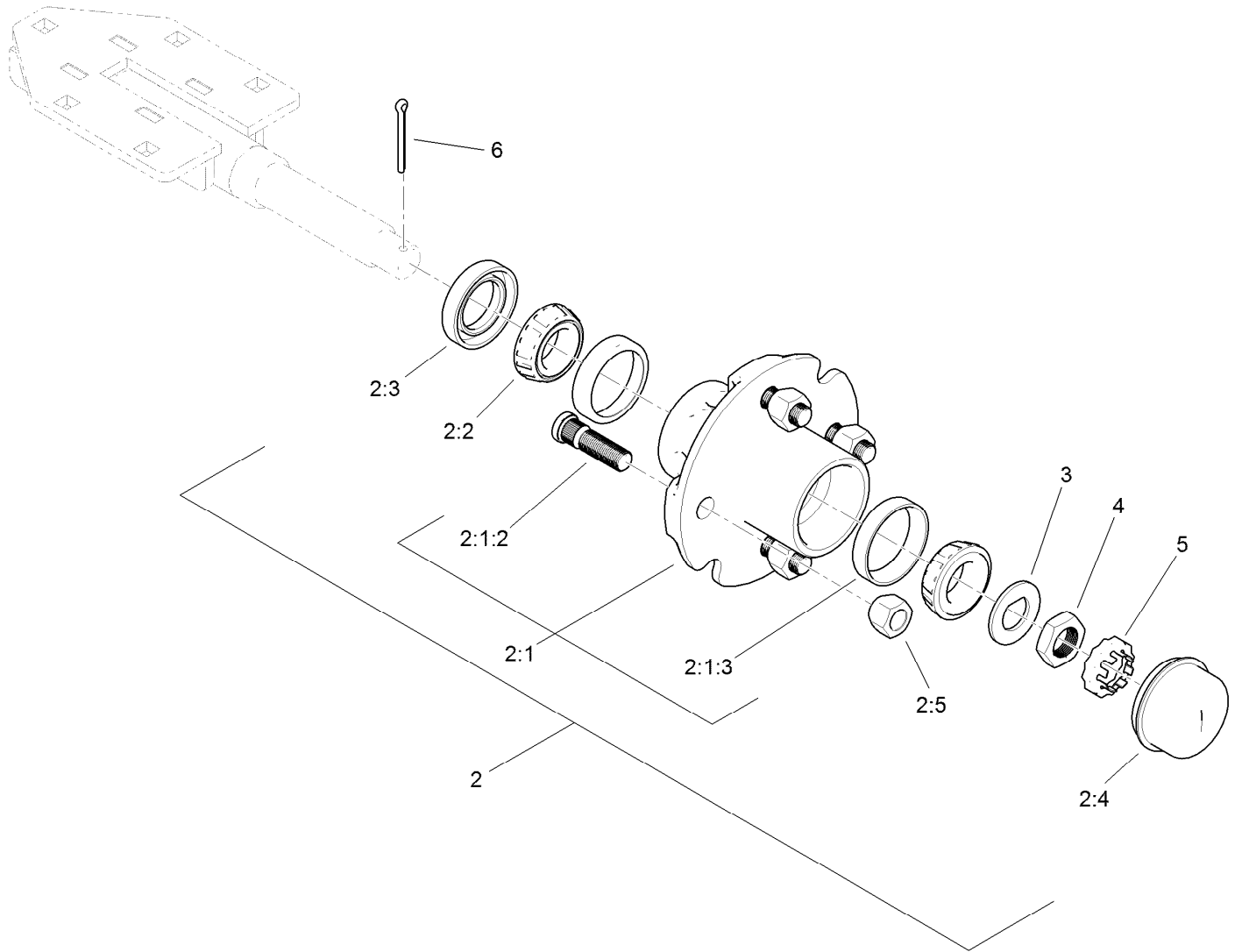
## Ramp Assembly

<i>Ref.</i>	<i>Part Number</i>	<i>Qty.</i>	<i>Description</i>
1	104-0546	1	Ramp ASM
1:1	98-8676	1	Decal-Caution
2	98-8775	1	Mat-Ramp
3	105-5392	8	Rivet-Drive
4	9202634	1	Washer
5	3272-7	3	Pin-Cotter
6	98-8754	1	Latch-Ramp
7	98-8759	1	Hinge-Rod
8	66-1210	1	Decal



## Hub and Wheel Assembly

<i>Ref.</i>	<i>Part Number</i>	<i>Qty.</i>	<i>Description</i>
1	117-8255	2	Hub And Axle ASM
2	98-8691	2	Wheel ASM
2:1	232-27	1	Stem-Valve
2:2	99-4506	1	Tire
2:3	99-4507	1	Rim
3	232-37	2	Tube
4	3231-22	8	Screw-CARR
5	32128-21	8	Nut-HF



## Hub and Axle Assembly No. 117-8255

<i>Ref.</i>	<i>Part Number</i>	<i>Qty.</i>	<i>Description</i>
2	117-5115	2	Hub And Bearing ASM
2:1	117-8251	1	Hub ASM
2:1:2	114-3918	4	Stud-Wheel
2:1:3	254-72	2	Bearing-Cup, Tapered
2:2	254-94	2	Bearing-Cone, Tapered
2:3	112-1690	1	Seal-Oil
2:4	241-119	1	Cap-Dust
2:5	242-50	4	Nut-Lug
3	117-8259	1	Washer-Spindle
4	117-8260	1	Nut
5	93-0307	1	Nut-Lock, Retainer
6	3272-18	1	Pin-Cotter



# Attachments and Accessories

## For 04240 Trans Pro 100 Tow-Behind Trailer

Product Name	Model/Part
18in Rail Conversion Kit.....	110-7345
18in Transport Conversion Kit, Trans Pro 100.....	136-8567
Rail Ramp Kit TP100 .....	138-5011

**Notes:**

**Notes:**



**Count on it.**