



Count on it.

Operator's Manual

**Greensmaster® 3250-D 2-Wheel
Drive Traction Unit**

Model No. 04384—Serial No. 401380001 and Up



This product complies with all relevant European directives; for details, please see the separate product specific Declaration of Conformity (DOC) sheet.

It is a violation of California Public Resource Code Section 4442 or 4443 to use or operate the engine on any forest-covered, brush-covered, or grass-covered land unless the engine is equipped with a spark arrester, as defined in Section 4442, maintained in effective working order or the engine is constructed, equipped, and maintained for the prevention of fire.

The enclosed engine owner's manual is supplied for information regarding the US Environmental Protection Agency (EPA) and the California Emission Control Regulation of emission systems, maintenance, and warranty. Replacements may be ordered through the engine manufacturer.

⚠ WARNING

**CALIFORNIA
Proposition 65 Warning**

Diesel engine exhaust and some of its constituents are known to the State of California to cause cancer, birth defects, and other reproductive harm.

Battery posts, terminals, and related accessories contain lead and lead compounds, chemicals known to the State of California to cause cancer and reproductive harm. Wash hands after handling.

Use of this product may cause exposure to chemicals known to the State of California to cause cancer, birth defects, or other reproductive harm.

Introduction

This machine is a ride-on, reel-blade greens mower intended to be used by professional, hired operators in commercial applications. It is primarily designed for cutting grass on well-maintained lawns in parks, golf courses, sports fields, and on commercial grounds. It is not designed for cutting brush, mowing grass and other growth alongside highways, or for agricultural uses.

Important: To maximize the safety, performance, and proper operation of this machine, carefully read and fully understand the contents of this *Operator's Manual*. Failing to follow these

operating instructions or to receive proper training may result in injury. For more information on safe operating practices, including safety tips and training materials, go to www.Toro.com.

You may contact Toro directly at www.Toro.com for product safety and operation training materials, accessory information, help finding a dealer, or to register your product.

Whenever you need service, genuine Toro parts, or additional information, contact an authorized Toro distributor and have the model and serial numbers of your product ready. [Figure 1](#) identifies the location of the model and serial numbers on the product. Write the numbers in the space provided.

Important: With your mobile device, you can scan the QR code on the serial number decal (if equipped) to access warranty, parts, and other product information.

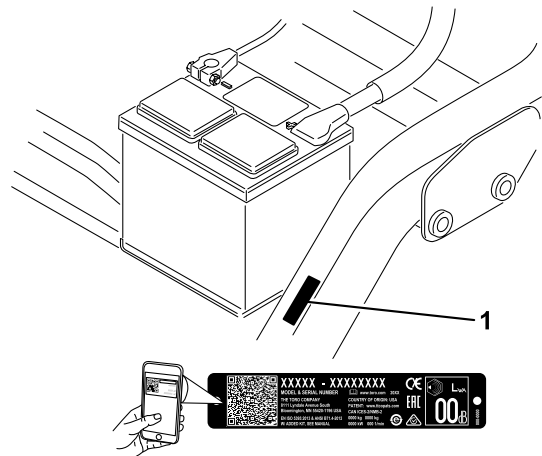


Figure 1

1. Model and serial number location

Model No. _____

Serial No. _____

This manual identifies potential hazards and has safety messages identified by the safety-alert symbol ([Figure 2](#)), which signals a hazard that may cause serious injury or death if you do not follow the recommended precautions.



Figure 2

Safety-alert symbol

This manual uses 2 words to highlight information. **Important** calls attention to special mechanical information and **Note** emphasizes general information worthy of special attention.

Contents

Safety	4	Servicing the Air Cleaner	34
General Safety	4	Servicing the Engine Oil.....	34
Safety and Instructional Decals	4	Fuel System Maintenance	36
Setup	9	Draining Water from the Fuel Filter	36
1 Mounting the Seat.....	10	Replacing the Fuel Filter	37
2 Activating and Charging the Battery	11	Inspecting the Fuel Lines and	
3 Installing the Roll Bar	12	Connections.....	37
4 Reducing the Tire Pressure.....	12	Electrical System Maintenance	38
5 Mounting the Front Carrier Frames	12	Electrical System Safety	38
6 Adjusting the Carrier Frame Rollers	13	Servicing the Battery.....	38
7 Installing the Oil Cooler	13	Locating the Fuses	38
8 Installing the Cutting Units	14	Drive System Maintenance	39
9 Marking the Outer Grass Baskets.....	15	Checking the Tire Pressure.....	39
10 Adjusting the Transport Height	15	Checking the Torque of the Wheel	
11 Adding Rear Ballast	16	Nuts	39
12 Installing the CE Guard Kit	17	Adjusting the Transmission for Neutral.....	39
13 Installing the CE Decals	17	Adjusting the Transport Speed.....	40
14 Burnishing the Brakes.....	18	Adjusting the Mowing Speed	40
Product Overview	18	Cooling System Maintenance	41
Controls	18	Cooling System Safety	41
Specifications	21	Cleaning the Radiator Screen	41
Attachments/Accessories	21	Checking the Engine-Coolant Level	41
Before Operation	21	Brake Maintenance	42
Before Operation Safety	21	Burnishing the Brakes.....	42
Fuel Specification	21	Adjusting the Brakes.....	42
Filling the Fuel Tank.....	22	Belt Maintenance	43
Performing Daily Maintenance.....	22	Adjusting the Alternator Belt	43
During Operation	23	Controls System Maintenance	43
During Operation Safety	23	Adjusting the Cutting Unit Lift/Drop	43
Breaking in the Machine	24	Hydraulic System Maintenance	44
Starting the Engine	24	Hydraulic System Safety.....	44
Checking the Machine After Starting the		Servicing the Hydraulic Fluid	44
Engine.....	24	Checking the Hydraulic Lines and	
Shutting Off the Engine.....	25	Hoses.....	45
Checking the Safety-Interlock System	25	Cutting Unit Maintenance	46
Driving the Machine without Mowing	26	Blade Safety	46
Mowing the Green	26	Checking the Reel-to-Bedknife Contact	46
After Operation	28	Setting the Reel Speed	46
After Operation Safety	28	Backlapping the Reels	47
Inspecting and Cleaning after Mowing	28	Storage	49
Hauling the Machine	28		
Towing the Machine.....	29		
Maintenance	30		
Maintenance Safety.....	30		
Recommended Maintenance Schedule(s)	31		
Daily Maintenance Checklist.....	32		
Lubrication	33		
Greasing the Machine.....	33		
Engine Maintenance	34		
Engine Safety	34		

Safety

This machine has been designed in accordance with EN ISO 5395:2013 and ANSI B71.4-2017 when 18 kg (40 lb) of ballast has been added to the rear wheel and the appropriate weight kit is installed to the rear castor. An additional guard kit is required for EN ISO 5395:2013 compliance. For proper compliance, see the Setup section.

General Safety

This product is capable of amputating hands and feet and of throwing objects. Always follow all safety instructions to avoid serious personal injury.

Using this product for purposes other than its intended use could prove dangerous to you and bystanders.

- Read and understand the contents of this *Operator's Manual* before starting the engine.
- Use your full attention while operating the machine. Do not engage in any activity that causes distractions; otherwise, injury or property damage may occur.

- Do not put your hands or feet near moving components of the machine.
- Do not operate the machine without all guards and other safety protective devices in place and working on the machine.
- Keep clear of any discharge opening. Keep bystanders and pets a safe distance away from the machine.
- Keep children out of the operating area. Never allow children to operate the machine.
- Stop the machine and shut off the engine before servicing, fueling, or unclogging the machine.

Improperly using or maintaining this machine can result in injury. To reduce the potential for injury, comply with these safety instructions and always pay attention to the safety-alert symbol (Figure 2), which means Caution, Warning, or Danger—personal safety instruction. Failure to comply with these instructions may result in personal injury or death.

You can find additional safety information where needed throughout this *Operator's Manual*.

Safety and Instructional Decals



Safety decals and instructions are easily visible to the operator and are located near any area of potential danger. Replace any decal that is damaged or missing.

GREENSMASTM 3250-D

QUICK REFERENCE AID

SEE OPERATOR'S MANUAL

CHECK/SERVICE (daily)

1. OIL LEVEL, ENGINE
2. OIL LEVEL, HYDRAULIC TANK
3. BRAKE FUNCTION
4. INTERLOCK SYSTEM:
 - 4a. SEAT INTERLOCK
 - 4b. NEUTRAL SENSOR
 - 4c. MOW SENSOR
 - 4d. PARKING BRAKE INTERLOCK
5. WATER SEPARATOR/FUEL FILTER
6. AIR CLEANER
7. RADIATOR SCREEN
8. TIRE PRESSURE (8-12 psi front, 8-15 psi rear)
9. BATTERY
10. GREASE POINT (8)
11. FUEL - DIESEL #2
12. WHEEL NUT TORQUE (70-90 FT-LBS)
13. FAN/ALTERNATOR/WATER PUMP BELT
14. COOLANT LEVEL

FLUID SPECIFICATIONS / CHANGE INTERVALS

See operator's manual for initial change	FLUID TYPE	CAPACITY		CHANGE INTERVALS		FILTER PART NO.
		L	QT.	FLUID	FILTER	
A. ENGINE OIL	API/SJ, SAE 10W-30	3.7	3.9	150 hrs.	150 hrs.	115-8189
B. HYDRAULIC OIL*	MOBIL DTE 15M	20.8	22	800 hrs.	800 hrs.	107-9531
C. AIR CLEANER (CLEAN EVERY 50 HOURS)	—	—	—	—	200 hrs.	108-3811
D. FUEL FILTER	—	—	—	—	800 hrs.	110-9049
E. FUEL TANK	NO. 2 DIESEL	22.7	6.0 GAL.	Drain and flush, 2 years		
F. COOLANT	50/50 ETHYLENE GLYCOL/WATER MIX	3.2	3.4	Drain and flush, 2 years		

*Including filter 121-9500

121-9500

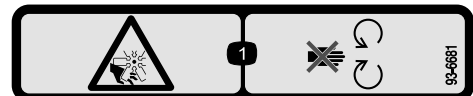
decal121-9500



93-8068

decal93-8068

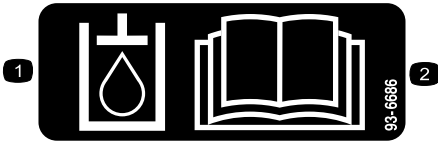
1. Read the *Operator's Manual* for instructions on locking and unlocking the steering arm.



93-6681

decal93-6681

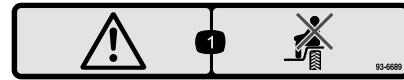
1. Cutting/dismemberment—hazard, fan-stay away from moving parts.



93-6686

decal93-6686

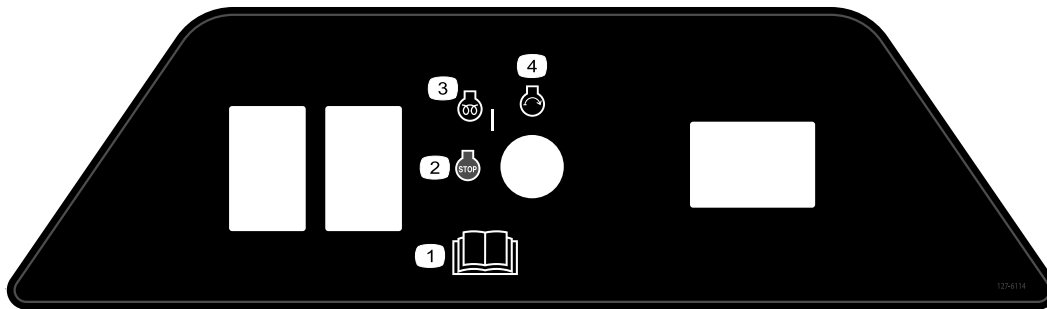
1. Hydraulic fluid
2. Read the *Operator's Manual*.



93-6689

decal93-6689

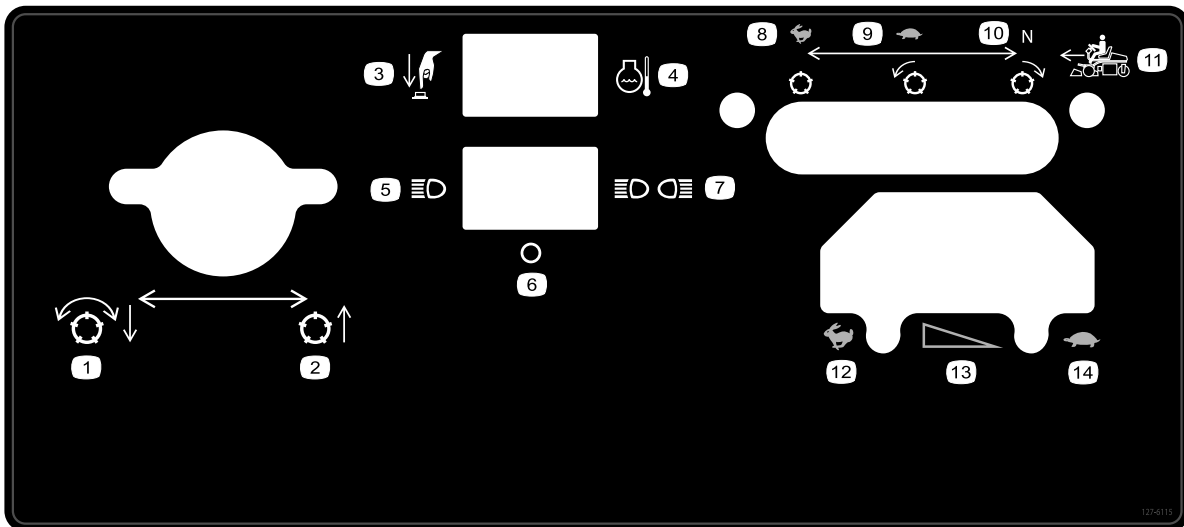
1. Warning—do not carry passengers.



127-6114

decal127-6114

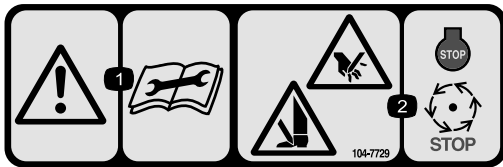
1. Read the *Operator's Manual*.
2. Engine—shut off
3. Engine—preheat
4. Engine—start



127-6115

decal127-6115

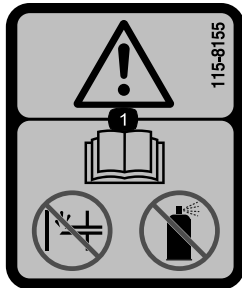
- | | | | |
|-------------------------------|--------------------------|---------------------------|--------------------------|
| 1. Lower and engage the reels | 5. Single light | 9. Slow, forward reel | 13. Gradual speed change |
| 2. Raise the cutting unit | 6. Off | 10. Neutral, reverse reel | 14. SLOW |
| 3. Press the button | 7. Double lights | 11. Forward movement | |
| 4. Engine coolant temperature | 8. Fast, stationary reel | 12. FAST | |



104-7729

decal104-7729

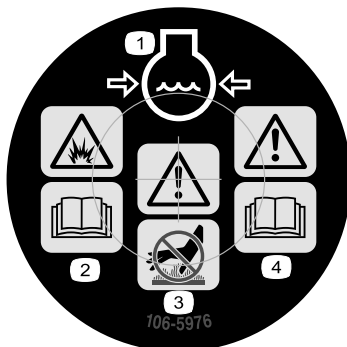
1. Warning—read the instructions before servicing or performing maintenance.
2. Cutting/dismemberment hazard; hand or foot—shut off the engine and wait for moving parts to stop.



115-8155

decal115-8155

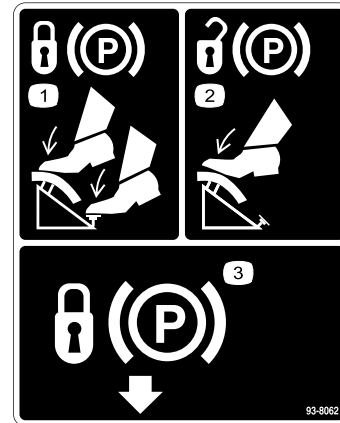
1. Warning—read the *Operator's Manual*, do not prime or use starting fluid.



106-5976

decal106-5976

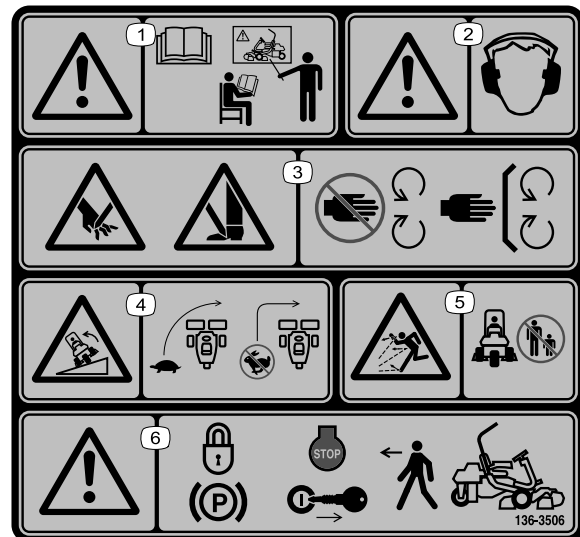
1. Engine coolant under pressure
2. Explosion hazard—read the *Operator's Manual*.
3. Warning—do not touch the hot surface.
4. Warning—read the *Operator's Manual*.



93-8062

decal93-8062

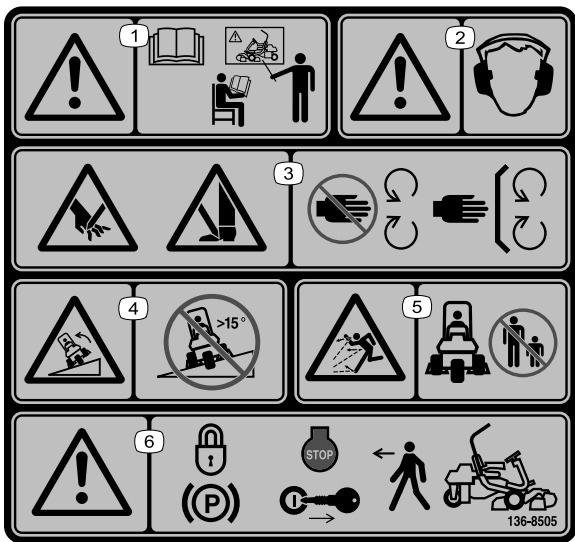
1. To lock the parking brake, press the brake pedal and the parking-brake lock.
2. To unlock the parking brake, press the brake pedal.
3. Parking-brake lock



136-8506

decal136-8506

1. Warning—read the *Operator's Manual*; receive training before operating the machine.
2. Warning—hearing protection must be worn.
3. Cutting/dismemberment hazard of hands or feet—keep all guards and shields in place.
4. Tipping hazard—slow machine before turning, do not turn at high speeds.
5. Thrown object hazard—keep bystanders a safe distance away from the machine.
6. Warning—engage the parking brake, shut off the engine, and remove the ignition key before leaving the machine.



136-8505

decal136-8505

Replaces Decal 136-8506 for CE Machines

Note: This machine complies with the industry standard stability test in the static lateral and longitudinal tests with the maximum recommended slope indicated on the decal. Review the instructions for operating the machine on slopes in the *Operator's Manual* as well as the conditions in which you would operate the machine to determine whether you can operate the machine in the conditions on that day and at that site. Changes in the terrain can result in a change in slope operation for the machine. If possible, keep the cutting units lowered to the ground while operating the machine on slopes. Raising the cutting units while operating on slopes can cause the machine to become unstable.

- | | |
|---|---|
| <p>1. Warning—read the <i>Operator's Manual</i>; receive training before operating the machine.</p> <p>2. Warning—hearing protection must be worn.</p> <p>3. Cutting/dismemberment hazard of hand or foot, mower blade—stay away from moving parts; keep all guards and shields in place.</p> | <p>4. Tipping hazard—do not drive across or down slopes greater than 15 degrees.</p> <p>5. Thrown object hazard—keep bystanders a safe distance away from the machine.</p> <p>6. Warning—engage the parking brake, shut off the engine, and remove the ignition key before leaving the machine.</p> |
|---|---|

WARNING: Cancer and Reproductive Harm - www.P65Warnings.ca.gov. For more information, please visit www.tccoCAProp65.com

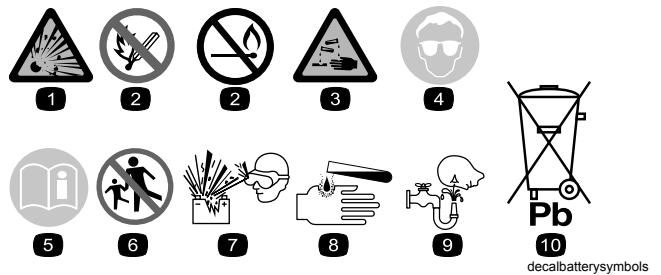
CALIFORNIA SPARK ARRESTER WARNING

Operation of this equipment may create sparks that can start fires around dry vegetation. A spark arrester may be required. The operator should contact local fire agencies for laws or regulations relating to fire prevention requirements.

136-8505

decal133-8062

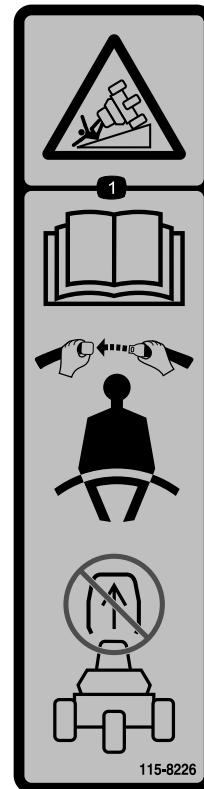
133-8062



Battery Symbols

Some or all of these symbols are on your battery.

- | | |
|--|--|
| <p>1. Explosion hazard</p> <p>2. No fire, open flame, or smoking</p> <p>3. Caustic liquid/chemical burn hazard</p> <p>4. Wear eye protection.</p> <p>5. Read the <i>Operator's Manual</i>.</p> | <p>6. Keep bystanders a safe distance away from the battery.</p> <p>7. Wear eye protection; explosive gasses can cause blindness and other injuries.</p> <p>8. Battery acid can cause blindness or severe burns.</p> <p>9. Flush eyes immediately with water and get medical help fast.</p> <p>10. Contains lead; do not discard</p> |
|--|--|



115-8226

decal115-8226

1. Tipping hazard—read the *Operator's Manual*; always wear a seat belt when operating; do not remove the rollover protection system (ROPS).

GREENSMASTER 3XXX							
1	2		3		4		5
	3.8 MPH 6.1 Km/h	5.0 MPH 8.0 Km/h	3.8 MPH 6.1 Km/h	5.0 MPH 8.0 Km/h	3.8 MPH 6.1 Km/h	5.0 MPH 8.0 Km/h	3.8 MPH 6.1 Km/h
0.062" / 1.6mm	N/R	N/R	9	N/R	9	N/R	9
0.094" / 2.4mm	N/R	N/R	9	N/R	9	N/R	9
0.125" / 3.2mm	N/R	N/R	9	N/R	9	N/R	9
0.156" / 4.0mm	N/R	N/R	9	N/R	9	N/R	N/R
0.188" / 4.8mm	N/R	N/R	9	N/R	7	N/R	N/R
0.218" / 5.5mm	N/R	N/R	9	N/R	6	N/R	N/R
0.250" / 6.4mm	7	N/R	6	7	5	7	N/R
0.312" / 7.9mm	6	N/R	5	6	4	6	N/R
0.375" / 9.5mm	6	7	4	5	4	5	N/R
0.438" / 11.1mm	6	6	4	5	3	4	N/R
0.500" / 12.7mm	5	6	3	4	N/R	N/R	N/R
0.625" / 15.9mm	4	5	3	3	N/R	N/R	N/R
0.750" / 19.0mm	3	4	3	3	N/R	N/R	N/R
0.875" / 22.2mm	3	4	N/R	3	N/R	N/R	N/R
1.000" / 25.4mm	3	3	N/R	N/R	N/R	N/R	N/R

115-8156

decal115-8156

- | | | | |
|-------------------------|--------------------------|--------------------------|---------|
| 1. Reel height | 3. 8-Blade cutting unit | 5. 14-Blade cutting unit | 7. Fast |
| 2. 5-Blade cutting unit | 4. 11-Blade cutting unit | 6. Reel speed | 8. Slow |

Setup

Loose Parts

Use the chart below to verify that all parts have been shipped.

Procedure	Description	Qty.	Use
1	Seat	1	Mount the seat to the base.
	Nut (5/16 inch)	4	
2	No parts required	–	Activate and charge the battery.
3	Roll bar	1	Install the roll bar.
	Bolt (5/8 x 4-1/2 inch)	4	
	Locknut (5/8 inch)	4	
4	No parts required	–	Reduce the tire pressure.
5	Carrier frame	2	Mount the front carrier frames.
	Spacer	2	
	Bolt (1/2 inch x 3-1/4 inches)	2	
	Locknut (1/2 inch)	2	
6	No parts required	–	Adjust the carrier frame rollers.
7	No parts required	–	Install the oil cooler (optional).
8	Offset lift hook (Refer to the Cutting Unit Operator's Manual for the installation instructions)	3	Install the cutting units.
	Screw (supplied with the cutting unit)	6	
	Bolt (#10 x 5/8 inch)	1	
	Jam nut (#10)	1	
	Cutting unit (sold separately)	3	
	Ball stud (supplied with the cutting unit)	6	
	Grass basket	3	
9	No parts required	–	Mark the outer grass baskets.
10	No parts required	–	Adjust the transport height.
11	Rear Weight Kit (Part No. 100-6442 or Part No. 99-1645; purchase separately)	1	Add rear ballast.
	Calcium chloride (purchase separately)	18 kg (40 lb)	
12	CE Guard Kit (Part No. 04441; purchase separately)	1	Install the CE Guard Kit.
13	Warning decal (Part No. 136-8505)	1	Install the CE decals (if required).
	CE mark decal	1	
14	No parts required	–	Burnish the brakes.

Media and Additional Parts

Description	Qty.	Use
Operator's Manual	1	Review it before operating the machine.
Engine owner's manual	1	Use it to reference engine information.
Declaration of Conformity Noise rating certificate	1 1	For CE compliance
Ignition keys	2	Start the engine.

Note: Mounting fasteners for the Greensmaster 3250-D cutting units are included with the cutting units.

1

Mounting the Seat

Parts needed for this procedure:

1	Seat
4	Nut (5/16 inch)

Procedure

Note: Mount the seat slides in the front set of mounting holes to gain an additional 7.6 cm (3 inches) in the forward adjustment, or in the rear mounting holes for an additional 7.6 cm (3 inches) in the rearward adjustment.

1. Remove the locknuts securing the seat slides to the shipping base straps. Discard the locknuts.
2. Connect the wire harness to the seat switch.
3. Secure the seat slides to the seat support with the locknuts (5/16 inches) supplied in the loose parts ([Figure 3](#)).

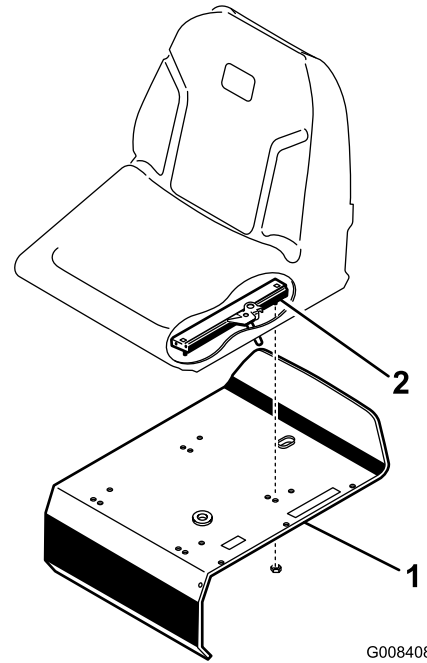


Figure 3

1. Seat support

2. Seat slide

2

Activating and Charging the Battery

No Parts Required

Procedure

Use only electrolyte (1.265 specific gravity) to fill the battery initially.

⚠ WARNING

Battery terminals or metal tools could short against metal machine components, causing sparks. Sparks can cause the battery gasses to explode, resulting in personal injury.

- **When removing or installing the battery, do not allow the battery terminals to touch any metal parts of the machine.**
- **Do not allow metal tools to short between the battery terminals and metal parts of the machine.**

1. Remove the fasteners and battery clamp and lift out the battery.

Important: Do not add electrolyte while the battery is in the machine. You could spill it, causing corrosion.

2. Clean the top of the battery and remove the vent caps (Figure 4).

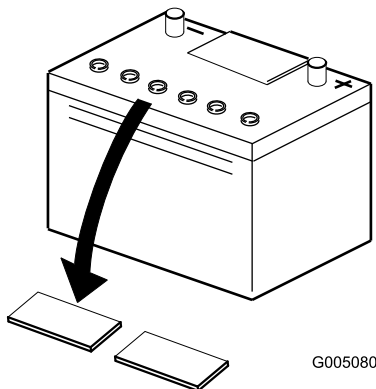


Figure 4

3. Carefully fill each cell with electrolyte until the plates are covered with about 6 mm (1/4 inch) of fluid (Figure 5).

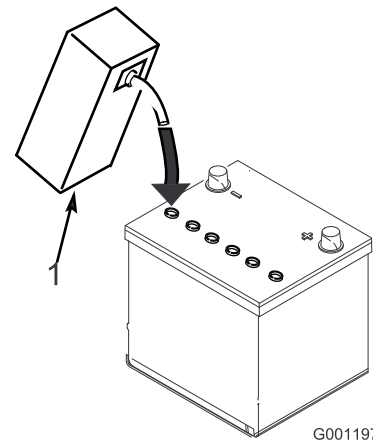


Figure 5

1. Electrolyte

4. Allow approximately 20 to 30 minutes for the electrolyte to soak into the plates. Fill as necessary to bring the electrolyte to within about 6 mm (1/4 inch) of the bottom of the fill well (Figure 5).
5. Connect a 2 to 4 A battery charger to the battery posts. Charge the battery for at least 2 hours at 4 A or for at least 4 hours at 2 A until the specific gravity is 1.250 or higher and the temperature is at least 16°C (60°F) with all cells gassing freely.

⚠ WARNING

Charging the battery produces gasses that can explode.

Never smoke near the battery and keep sparks and flames away from the battery.

Important: If you do not charge the battery for at least the time specified above, you may reduce the life of the battery.

6. When the battery is charged, disconnect the charger from the electrical outlet and battery posts.

Note: After the battery has been activated, add only distilled water to replace normal loss, although maintenance-free batteries should not require water under normal operating conditions.

Important: Failure to correctly activate the battery may result in battery gassing and/or premature battery failure.

7. Install the vent caps.
8. Place the battery on the battery tray and secure it with the battery clamp and fasteners removed previously.
9. Install the positive cable (red) to the positive (+) terminal and then the negative cable (black)

to the negative (-) terminal of the battery and secure them with the bolts and nuts (Figure 6). Slide the rubber boot over the positive terminal to prevent a possible short from occurring.

⚠ WARNING

Incorrect battery cable routing could damage the tractor and cables, causing sparks. Sparks can cause the battery gasses to explode, resulting in personal injury.

- Always disconnect the negative (black) battery cable before disconnecting the positive (red) cable.
- Always connect the positive (red) battery cable before connecting the negative (black) cable.

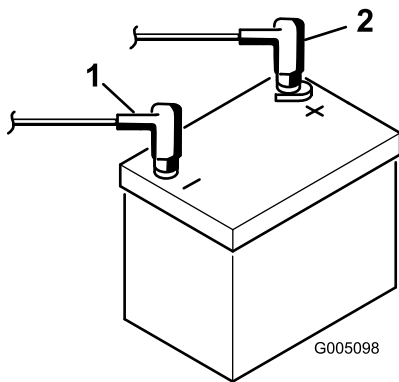


Figure 6

1. Negative (-)
2. Positive (+)

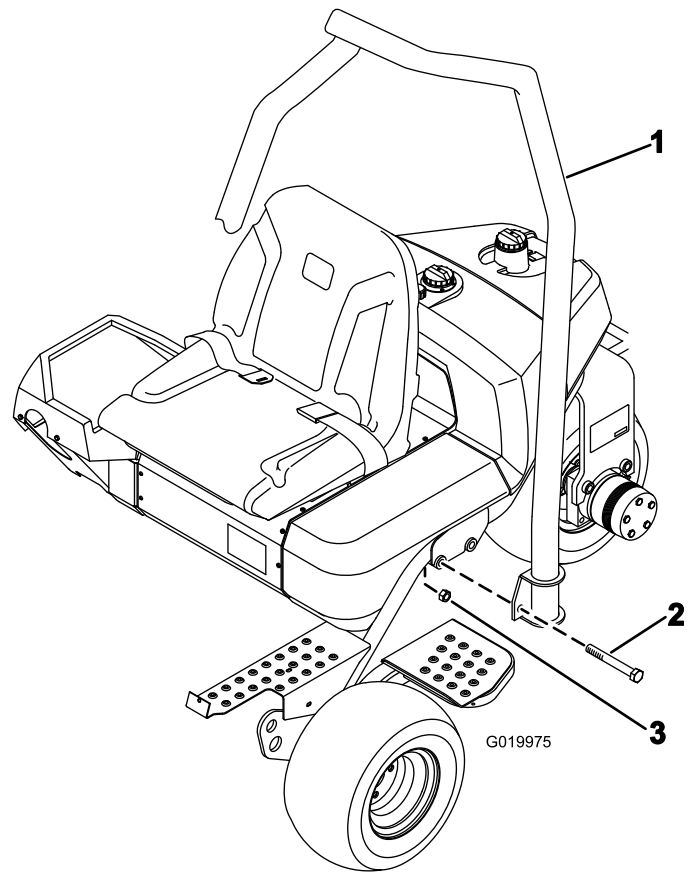


Figure 7

1. Roll bar
2. Bolt (5/8 x 4-1/2 inch)
3. Locknut (5/8 inch)

2. Lower the roll bar onto the frame, aligning it with the mounting holes (Figure 7).
3. Secure each side of the roll bar to the frame with 2 bolts (5/8 x 4-1/2 inches) and locknuts as shown in Figure 7.
4. Torque the fasteners to 183 to 223 N·m (135 to 165 ft·lb).

3

Installing the Roll Bar

Parts needed for this procedure:

1	Roll bar
4	Bolt (5/8 x 4-1/2 inch)
4	Locknut (5/8 inch)

Procedure

1. Position the roll bar so the top of the tube is curved toward the front of the machine (Figure 7).

4

Reducing the Tire Pressure

No Parts Required

Procedure

The tires are over-inflated at the factory for shipping purposes. Reduce the pressure to the proper levels before starting the machine. Refer to [Checking the Tire Pressure](#) (page 39).

5

Mounting the Front Carrier Frames

Parts needed for this procedure:

2	Carrier frame
2	Spacer
2	Bolt (1/2 inch x 3-1/4 inches)
2	Locknut (1/2 inch)

Procedure

1. Mount a carrier frame assembly to each clevis with a spacer, bolt (1/2 x 3-1/4 inch), and locknut (1/2 inch); refer to [Figure 8](#). Torque to 91 to 113 N·m (67 to 83 ft/lb).

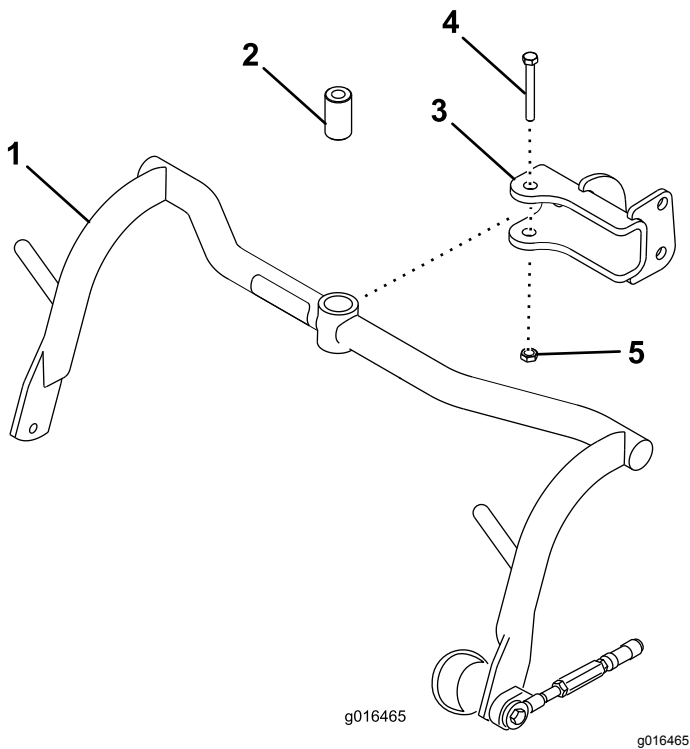


Figure 8

- | | |
|------------------|------------------------------|
| 1. Carrier frame | 4. Bolt (1/2 x 3-1/4 inches) |
| 2. Spacer | 5. Locknut (1/2 inch) |
| 3. Clevis | |

6

Adjusting the Carrier Frame Rollers

No Parts Required

Procedure

1. Position the machine on a level surface and lower the cutting unit carrier frames to the floor.
2. Verify that there is 13 mm (1/2 inch) clearance between the carrier frame rollers and the floor.
3. Ensure that the carrier frame rollers are level to the ground. If they are not level, insert a long tool into the end of the carrier frame and apply pressure until the rollers are level.
4. If you must adjust the clearance, loosen the jam nut on the carrier frame stop screw ([Figure 9](#)) and rotate the screw up or down to raise or lower the carrier frame. Tighten the jam nut to secure the adjustment.

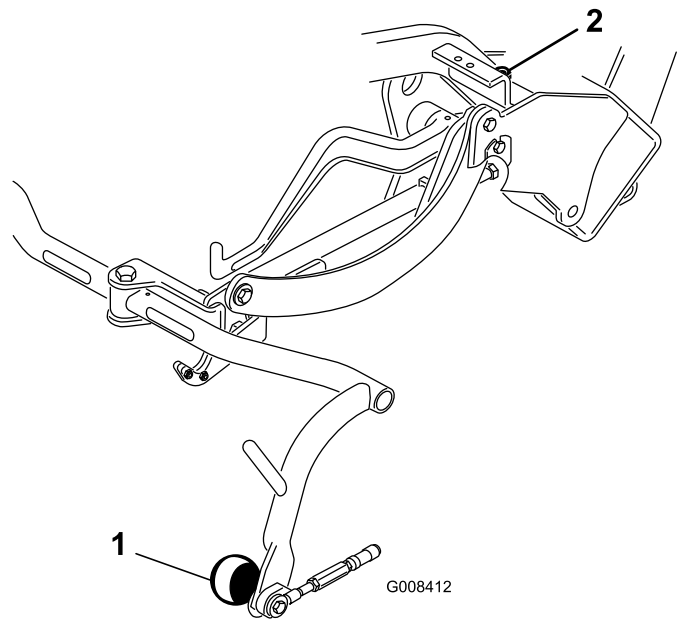


Figure 9

- | | |
|-------------------------|-----------------------------|
| 1. Carrier frame roller | 2. Carrier frame stop screw |
|-------------------------|-----------------------------|

2. Lubricate the bushings in each carrier frame with No. 2 lithium grease.

7

Installing the Oil Cooler

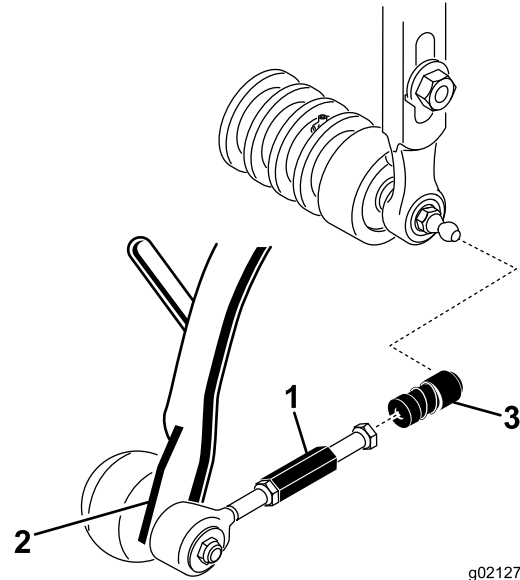
Optional

No Parts Required

Procedure

If you are operating the machine in an area where ambient temperatures range from 20 to 49°C (70 to 120°F), or if you use the machine for heavy-duty use (mowing other areas than greens, such as fairways or verticutting), install the Hydraulic Oil Cooler Kit (Part No. 104-7701) to the machine.

- Slide the sleeve back on each ball joint receiver and hook the receiver onto the cutting unit ball stud (Figure 10).



g021274

g021274

Figure 10

- Pull link extension
- Pull arm
- Ball joint receiver

8

Installing the Cutting Units

Parts needed for this procedure:

3	Offset lift hook (Refer to the Cutting Unit <i>Operator's Manual</i> for the installation instructions)
6	Screw (supplied with the cutting unit)
1	Bolt (#10 x 5/8 inch)
1	Jam nut (#10)
3	Cutting unit (sold separately)
6	Ball stud (supplied with the cutting unit)
3	Grass basket

Procedure

Note: When sharpening, setting the height of cut, or performing other maintenance procedures on the cutting units, store the cutting-unit reel motors in the support tubes to prevent damage to the hoses.

Important: Do not raise the suspension to the transport position when the reel motors are in the holders in the machine frame. Damage to the motors or hoses could result.

- Remove the cutting units from the cartons. Assemble and adjust them as instructed in the cutting unit *Operator's Manual*.
- Slide the cutting unit under the pull frame while hooking the lift hoop onto the lift arm.

- Mount the basket onto the carrier frame.
- Adjust the pull links until there is 2 to 3 mm (1/16 to 1/8 inch) clearance between the lip of the basket and the reel blades. Ensure that the basket lips are equidistant from the reel blades all the way across the reel blades.
- Align the sockets in the ball joints so the open side of the socket is centered toward the ball stud. Tighten the jam nuts to secure the sockets in position.
- Ensure that there is approximately 13 mm (1/2 inch) of the threads exposed on each reel-drive-motor mounting bolt (Figure 11).

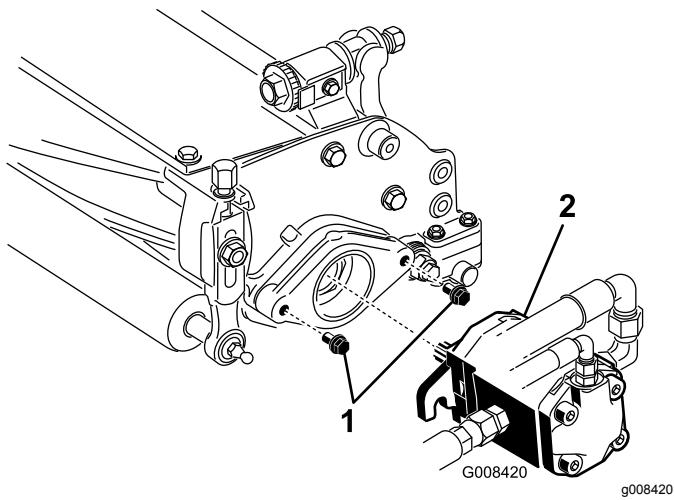


Figure 11

1. Mounting bolts
2. Drive motor

8. Coat the motor spline shaft with clean grease and install the motor by rotating the motor clockwise so that the motor flanges clear the studs. Rotate the motor counterclockwise until the flanges encircle the studs (Figure 11).
9. Tighten the mounting bolts (Figure 11).

9

Marking the Outer Grass Baskets

No Parts Required

Procedure

To assist in aligning the machine for successive cutting passes, do the following procedure to the No. 2 and No. 3 cutting unit baskets:

1. Measure in approximately 12.7 cm (5 inches) from the outer edge of each basket.
2. Either place a strip of white tape or paint a line onto each basket paralleling the outer edge of each basket (Figure 12).

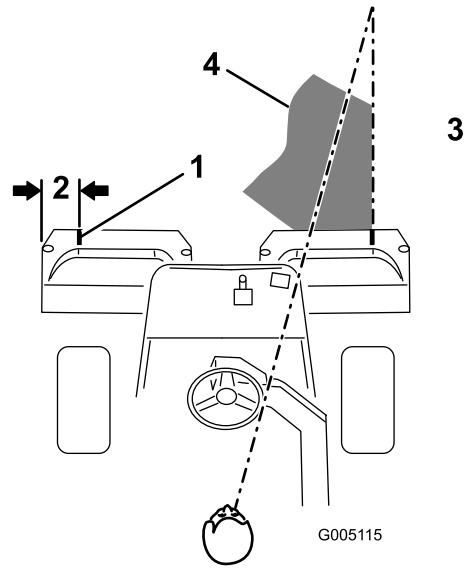


Figure 12

1. Alignment strip
2. Approximately 12.7 cm (5 inches)
3. Cut grass on right
4. Keep focal spot 1.8 to 3 m (6 to 10 ft) ahead of the machine.

10

Adjusting the Transport Height

No Parts Required

Procedure

Check the transport height (Figure 14 and Figure 15) and adjust it if required.

1. Park the machine on a level surface.
2. On cutting units equipped with a offset lift hook (Figure 13 inset), verify that the distance from the top of the carrier frame adjusting screw to the back of the carrier frame is 25 mm (1 inch). If the distance is not 25 mm (1 inch), proceed to step 4.

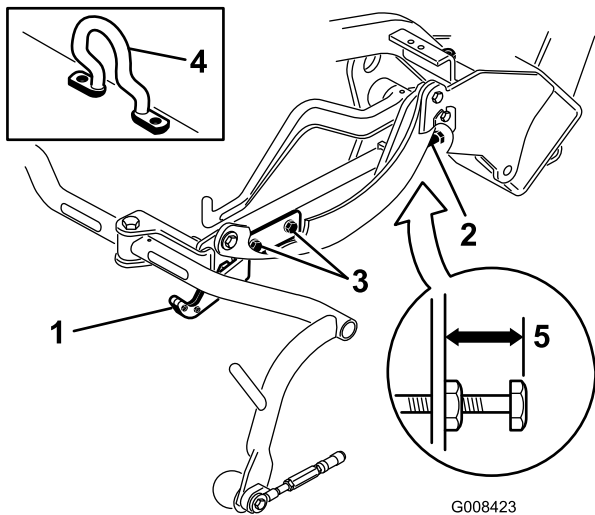


Figure 13

- | | |
|-----------------------------------|---------------------|
| 1. Transport plate | 4. Offset lift hook |
| 2. Adjusting screw | 5. 25 mm (1 inch) |
| 3. Transport-plate mounting screw | |

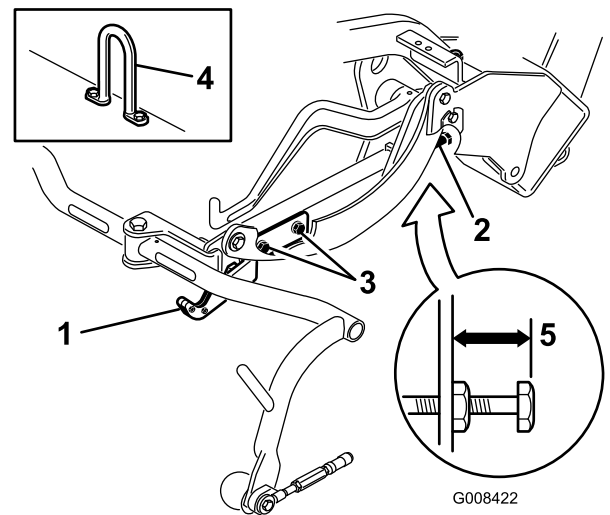


Figure 15

- | | |
|-----------------------------------|---------------------|
| 1. Transport plate | 4. Link hook |
| 2. Adjusting screw | 5. 22 mm (7/8 inch) |
| 3. Transport —late mounting screw | |

- On cutting units equipped with a chain link or a straight lift hook (Figure 14 and Figure 15 insets), verify that the distance from the top of the carrier frame adjusting screw to the back of the carrier frame is 22 mm (7/8 inch). If the distance is not 22 mm (7/8 inch), proceed to step 4. If the cutting unit is equipped with an offset lift link (Figure 13), proceed to the next step.

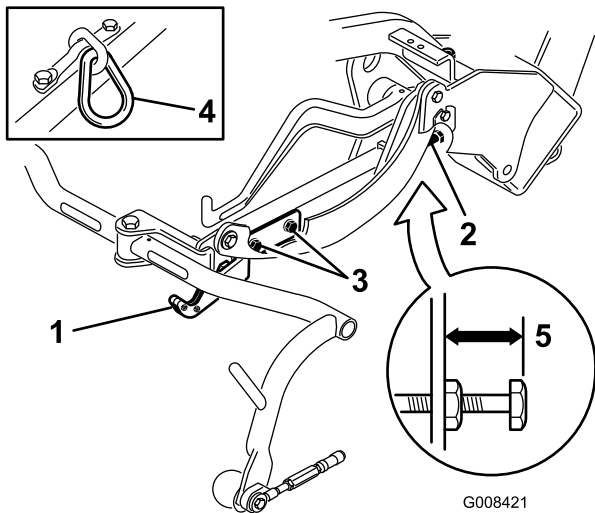


Figure 14

- | | |
|-----------------------------------|---------------------|
| 1. Transport plate | 4. Chain link |
| 2. Adjusting screw | 5. 22 mm (7/8 inch) |
| 3. Transport-plate mounting screw | |

- Loosen the transport plate mounting screws (Figure 14, Figure 15, and Figure 13).
- Raise the cutting units to the transport position.

Important: Do not raise the suspension to the transport position when the reel motors are in the machine-frame holders. Damage to the motors or hoses could result.
- Ensure that each carrier frame is at the same height from the ground. If they are, proceed to step 8.
- If the carrier frames are not at the same height, loosen the jam nut on the carrier frame adjusting screw (Figure 13, Figure 14, and Figure 15). Rotate the screw outward to raise and inward to lower. Tighten the jam nut after you obtain the proper height.
- Rotate the transport plate until it locks the pull frame. Tighten the screws.

11

Adding Rear Ballast

Parts needed for this procedure:

1	Rear Weight Kit (Part No. 100-6442 or Part No. 99-1645; purchase separately)
18 kg (40 lb)	Calcium chloride (purchase separately)

Procedure

This unit complies with EN ISO 5395:2013 and ANSI B71.4-2017 when it is equipped with one of the following:

- Rear Weight Kit (Part No. 100-6442) and 18 kg (40 lb) of calcium chloride ballast added to the rear wheel
- Rear Weight Kit (Part No. 99-1645) and 18 kg (40 lb) of calcium chloride (if a 3-Wheel Drive Kit is installed on the machine)

Important: If a puncture occurs in a tire with calcium chloride, remove the machine from the turf area as quickly as possible. To prevent possible damage to the turf, immediately soak the affected area with water.

12

Installing the CE Guard Kit

Parts needed for this procedure:

1	CE Guard Kit (Part No. 04441; purchase separately)
---	--

Procedure

Install the CE Guard Kit (Part No. 04441); refer to the kit *Installation Instructions*.

This machine complies with EN ISO 5395:2013 when it is equipped with the guard kit.

13

Installing the CE Decals

Parts needed for this procedure:

1	Warning decal (Part No. 136-8505)
1	CE mark decal

Procedure

If you use this machine in a country that complies to CE standards, perform the following steps after you install the weight kit and guard kit to the machine:

- Apply the CE warning decal (Part No. 136-8505) over the existing warning decal (Part No. 136-8506); refer to [Figure 16](#).

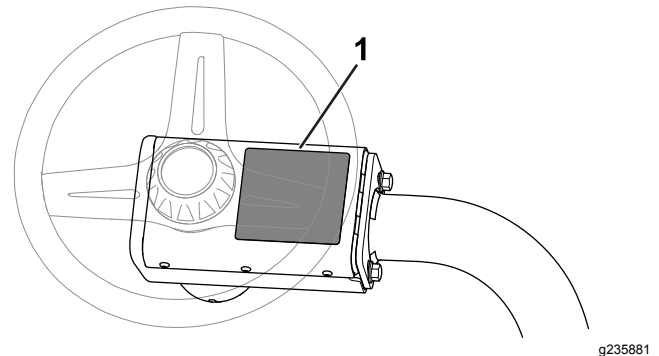


Figure 16

1. Warning decal (Part No. 136-8506)—apply CE warning decal (Part No. 136-8505) here.
-
- Apply the CE mark decal next to the serial plate ([Figure 17](#)).

Product Overview

Controls

Traction Pedal

The traction pedal (Figure 18) has 3 functions: to make the machine move forward, to move it backward, and to stop the machine. Press the top of the pedal to move forward and the bottom of the pedal to move backward or to assist in stopping when moving forward. Also, allow the pedal to move to the NEUTRAL position to stop the machine. Do not rest the heel of your foot on reverse when operating forward (Figure 19).

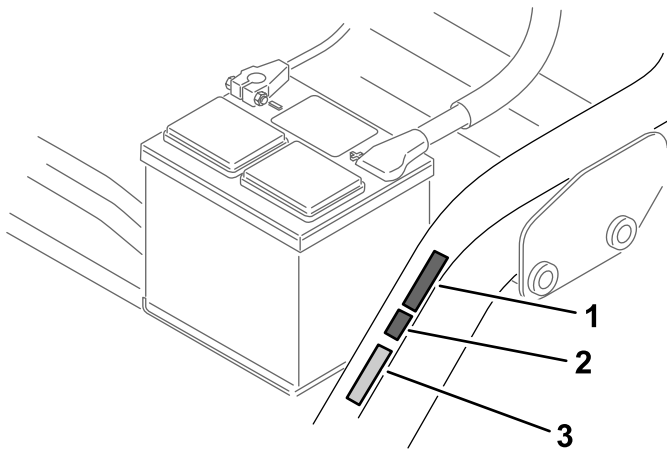


Figure 17

g234996

1. CE production year decal
2. CE mark decal
3. Serial plate

- Apply the CE production year decal next to the CE mark decal (Figure 17).

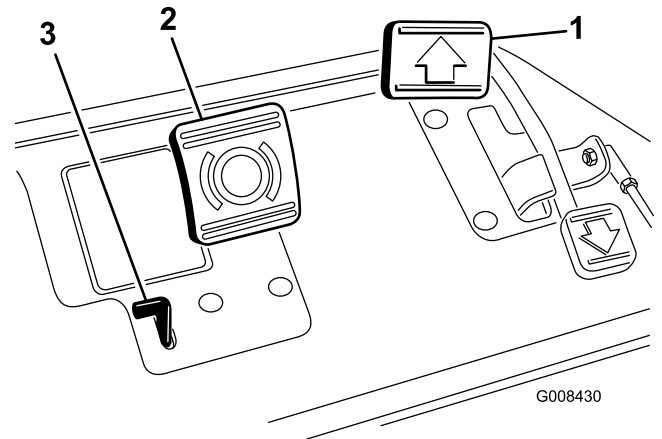
14

Burnishing the Brakes

No Parts Required

Procedure

Burnish the brakes; refer to [Burnishing the Brakes](#) (page 42).



G008430

Figure 18

g008430

1. Traction pedal
2. Brake pedal
3. Parking-brake tab



G005105

Figure 19

g005105

Brake Pedal

Press the brake pedal (Figure 18) to stop the machine by actuating the front-wheel brakes.

Parking-Brake Tab

To set the parking brake, press the brake pedal, then press the parking-brake tab (Figure 18) to engage the brakes. Disengage the tab by pressing the brake pedal. Engage the parking brake before you leave the machine.

Throttle Control

The throttle control (Figure 20) allows you to control the speed of the engine. Moving the throttle control toward the FAST position increases the engine speed; moving the throttle control toward SLOW decreases the engine rpm. Ground speeds are as follows:

- 3.2 to 8 km/h (2 to 5 mph) forward mowing speed
- 14.1 km/h (8.8 mph) maximum transport speed
- 4.0 km/h (2.5 mph) reverse speed

Note: You cannot shut off the engine using the throttle control.

- REAR position—neutral position; use when backlapping the reels
- MIDDLE position—use when cutting grass
- FRONT position—use when driving the machine between job sites

Hour Meter

The hour meter (Figure 20) indicates the total hours the machine has operated. It starts to function whenever you rotate the key switch to the ON position.

Ignition Switch

Insert the key into the switch (Figure 20) and turn it clockwise to the START position to start the engine. Release the key as soon as the engine starts; the key moves to the ON position. Turn the key counterclockwise to the STOP position to shut off the engine.

Steering Arm Locking Lever

Rotate the lever (Figure 20) rearward to loosen the adjustment, raise or lower the steering arm for your comfort, then, rotate the lever forward to tighten the adjustment.

Water Temperature Light

The light (Figure 20) glows and the engine automatically shuts off whenever the engine coolant temperature is too high.

Engine-Oil Pressure Light

The light (Figure 20) glows if the engine-oil pressure drops below a safe level.

Battery Warning Light

The light (Figure 20) glows if the battery charge is low.

Glow-Plug Indicator Light

When the glow-plug indicator light (Figure 20) is lit, it indicates the glow plugs are on.

Note: The glow-plug indicator light may illuminate for a short time after the engine has started; this is normal.

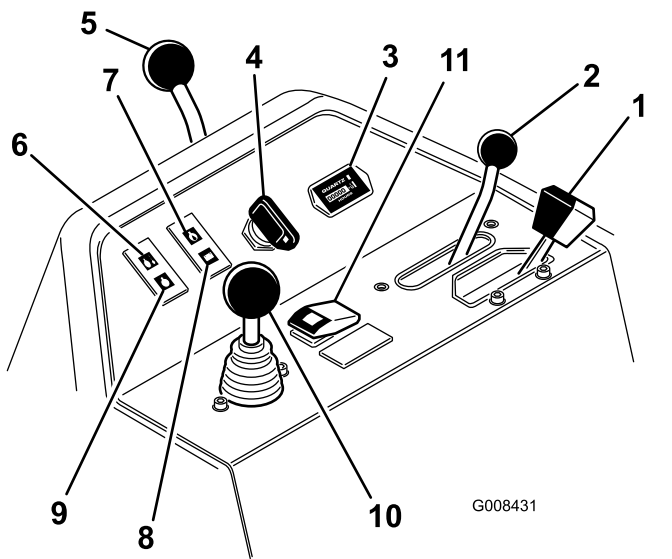


Figure 20

- | | |
|-------------------------------|--------------------------------------|
| 1. Throttle control | 7. Engine-oil pressure light |
| 2. Functional control lever | 8. Battery warning light |
| 3. Hour meter | 9. Glow plug indicator light |
| 4. Ignition switch | 10. Raise/Lower mow control |
| 5. Steering arm locking lever | 11. High temperature override button |
| 6. Water temperature light | |

Functional Control Lever

The functional control lever (Figure 20) provides 2 traction selections plus a NEUTRAL position. You can shift from mow to transport or transport to mow (not to neutral) while the machine is in motion; no damage will result.

Raise/Lower Mow Control

Moving the control (Figure 20) forward during cutting operation lowers the cutting units and starts the reels. Pull back on the control to stop the reels and raise the cutting units. To stop the reels without raising the cutting units, pull back on the control momentarily and releasing it. Start the reels by moving the control forward.

High Temperature Override Button

If the engine shuts off because it is overheated, press the override button (Figure 20) in and hold it until you can move the machine to a safe location and allowed to cool down.

Note: When using the override button, you must hold it down continuously to operate. Do not use it for extended periods of time.

Backlap Lever

Use the backlap lever (Figure 21) with the raise/lower mow control lever and the reel speed control for backlapping the reels.

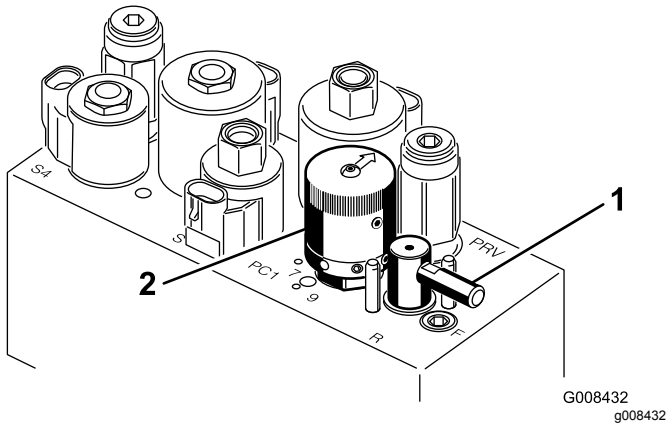


Figure 21

1. Backup lever
2. Reel-speed control

Reel-Speed Control

Use the reel-speed control (Figure 21) to adjust the speed of the reels.

Seat-Adjustment Lever

The seat-adjustment lever on the left side of the seat (Figure 22) allows an 18 cm (7 inch) forward and rearward adjustment of the seat.

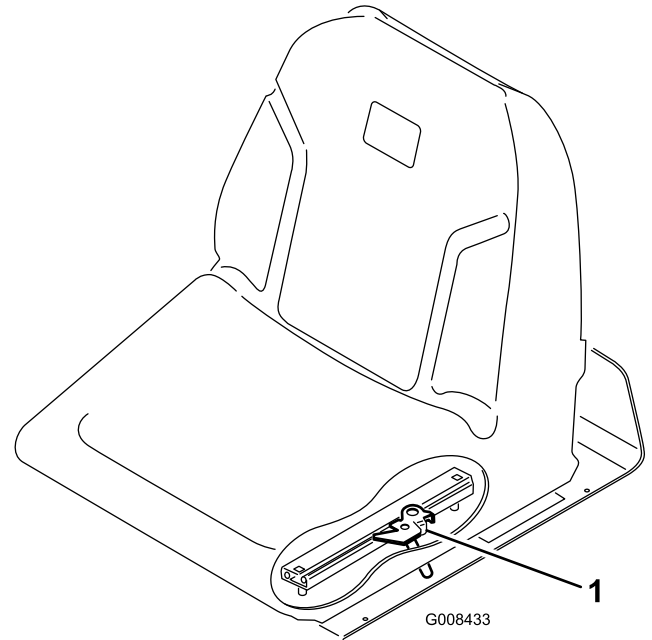


Figure 22

1. Seat-adjustment lever

Fuel-Shutoff Valve

Close the fuel-shutoff valve (Figure 23), under the fuel tank, when storing or transporting the machine on a truck or trailer.

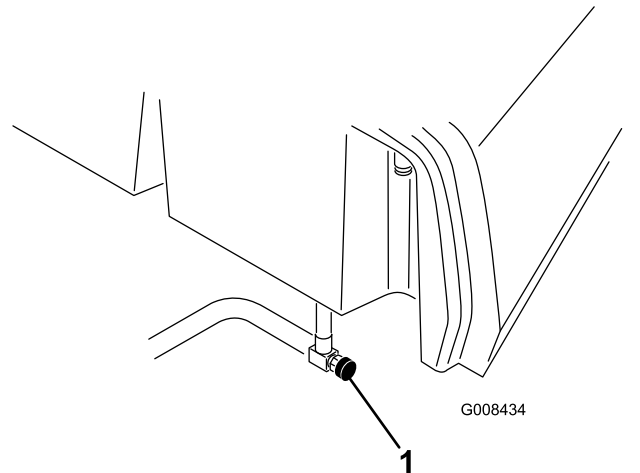


Figure 23

1. Fuel-shutoff valve (under the fuel tank)

Specifications

Note: Specifications and design are subject to change without notice.

Width of cut	150 cm (59 inches)
Wheel tread	128 cm (50.5 inches)
Wheel base	123 cm (48.6 inches)
Overall length (w/baskets)	238 cm (93.9 inches)
Overall width	173 cm (68 inches)
Overall height	197 cm (77.5 inches)
Engine speed settings	High Idle: 2,710 ± 50 rpm Low Idle: 1,500 ± 50 rpm
Net weight w/reels	552 kg (1,216 lb)

Attachments/Accessories

A selection of Toro approved attachments and accessories is available for use with the machine to enhance and expand its capabilities. Contact your Authorized Service Dealer or authorized Toro distributor or go to www.Toro.com for a list of all approved attachments and accessories.

To ensure optimum performance and continued safety certification of the machine, use only genuine Toro replacement parts and accessories. Replacement parts and accessories made by other manufacturers could be dangerous, and such use could void the product warranty.

Operation

Note: Determine the left and right sides of the machine from the normal operating position.

Before Operation

Before Operation Safety

General Safety

- Never allow children or untrained people to operate or service the machine. Local regulations may restrict the age of the operator. The owner is responsible for training all operators and mechanics.
- Become familiar with the safe operation of the equipment, operator controls, and safety signs.
- Know how to stop the machine and shut off the engine quickly.
- Check that operator-presence controls, safety switches, and shields are attached and functioning properly. Do not operate the machine unless they are functioning properly.
- Before mowing, always inspect the machine to ensure that the cutting units are in good working condition.
- Inspect the area where you will use the machine and remove all objects that the machine could throw.

Fuel Safety

- Use extreme care in handling fuel. It is flammable and its vapors are explosive.
- Extinguish all cigarettes, cigars, pipes, and other sources of ignition.
- Use only an approved fuel container.
- Do not remove the fuel cap or fill the fuel tank while the engine is running or hot.
- Do not add or drain fuel in an enclosed space.
- Do not store the machine or fuel container where there is an open flame, spark, or pilot light, such as on a water heater or other appliance.
- If you spill fuel, do not attempt to start the engine; avoid creating any source of ignition until the fuel vapors have dissipated.

Fuel Specification

Fuel tank capacity: 26.6 L (7 US gallons)

Recommended Fuel: Unleaded gasoline with an octane rating of 87 or higher ((R+M)/2 rating method)

Ethanol: Gasoline with up to 10% ethanol (gasohol) or 15% MTBE (methyl tertiary butyl ether) by volume is acceptable. Ethanol and MTBE are not the same. Gasoline with 15% ethanol (E15) by volume is not approved for use.

- **Never use gasoline that contains more than 10% ethanol by volume**, such as E15 (contains 15% ethanol), E20 (contains 20% ethanol), or E85 (contains up to 85% ethanol).
- **Do not** use fuel that contains methanol.
- **Do not** store fuel either in the fuel tank or fuel containers over the winter, unless you use a fuel stabilizer.
- **Do not** add oil to gasoline.
- For best results, use only clean, fresh (less than 30 days old) fuel.
- Using unapproved gasoline may cause performance problems and/or engine damage, which may not be covered under the warranty.

Important: Do not use fuel additives other than a fuel stabilizer/conditioner. Do not use fuel stabilizers with an alcohol base such as ethanol, methanol, or isopropanol.

Filling the Fuel Tank

- **Fuel tank capacity:** 22.7 L (6 U.S. gallons)
 - **Recommended Fuel:**
 - For best results, use only clean, fresh diesel fuel or biodiesel fuels with low (<500 ppm) or ultra low (<15 ppm) sulfur content. The minimum cetane rating should be 40. Purchase fuel in quantities that can be used within 180 days to ensure fuel freshness.
 - Use summer-grade diesel fuel (No. 2-D) at temperatures above -7° C (20° F) and winter-grade (No. 1-D or No. 1-D/2-D blend) below that temperature. Use of winter-grade fuel at lower temperatures provides lower flash point and cold flow characteristics which will ease starting and reduce fuel filter plugging.
- Note:** Use of summer-grade fuel above -7° C (20° F) will contribute toward longer fuel pump life and increased power compared to winter-grade fuel.
- This machine can also use a biodiesel blended fuel of up to B20 (20% biodiesel, 80% petrodiesel). The petrodiesel portion should be low or ultra-low sulfur. Observe the following precautions:
 - ◇ The biodiesel portion of the fuel must meet specification ASTM D6751 or EN14214.
 - ◇ The blended fuel composition should meet ASTM D975 or EN590.

- ◇ Painted surfaces may be damaged by biodiesel blends.
- ◇ Use B5 (biodiesel content of 5%) or lesser blends in cold weather.
- ◇ Monitor seals, hoses, gaskets in contact with fuel as they may be degraded over time.
- ◇ Fuel filter plugging may be expected for a time after converting to biodiesel blends.
- ◇ Contact your distributor if you wish for more information on biodiesel.

1. Clean around the fuel-tank cap and remove it (Figure 24).

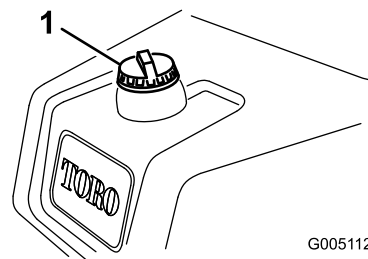


Figure 24

1. Fuel-tank cap

2. Fill the tank until the level is 6 to 13 mm (1/4 to 1/2 inch) below the bottom of the filler neck.

Important: Do not overfill.

3. Install the cap.
4. Wipe up any fuel that may have spilled.

Performing Daily Maintenance

Service Interval: Before each use or daily

Before starting the machine each day, perform the following procedures:

- Check the engine-oil level—refer to [Checking the Engine Oil \(page 34\)](#).
- Drain water from the fuel filter—refer to [Draining Water from the Fuel Filter \(page 36\)](#).
- Check the cooling system—refer to [Cooling System Maintenance \(page 41\)](#).
- Check the tire pressure—refer to [Checking the Tire Pressure \(page 39\)](#).
- Check the hydraulic-fluid level—refer to [Checking the Hydraulic-Fluid Level \(page 45\)](#).
- Check the reel-to-bedknife contact—refer to [Checking the Reel-to-Bedknife Contact \(page 46\)](#).

During Operation

During Operation Safety

General Safety

- The owner/operator can prevent and is responsible for accidents that may cause personal injury or property damage.
- Wear appropriate clothing, including eye protection; long pants; substantial, slip-resistant footwear; and hearing protection. Tie back long hair and do not wear loose jewelry.
- Do not operate the machine while ill, tired, or under the influence of alcohol or drugs.
- Never carry passengers on the machine and keep bystanders and pets away from the machine during operation.
- Operate the machine only in good visibility to avoid holes or hidden hazards.
- Avoid mowing on wet grass. Reduced traction could cause the machine to slide.
- Before you start the engine, ensure that all drives are in neutral, the parking brake is engaged, and you are in the operating position.
- Keep your hands and feet away from the cutting units. Keep clear of the discharge opening at all times.
- Look behind and down before backing up to be sure of a clear path.
- Use care when approaching blind corners, shrubs, trees, or other objects that may obscure your vision.
- Do not mow near drop-offs, ditches, or embankments. The machine could suddenly roll over if a wheel goes over the edge or if the edge gives way.
- Stop the cutting units whenever you are not mowing.
- Stop the machine and inspect the cutting units after striking an object or if there is an abnormal vibration in the machine. Make all necessary repairs before resuming operation.
- Slow down and use caution when making turns and crossing roads and sidewalks with the machine. Always yield the right-of-way.
- Disengage the drive to the cutting unit and shut off the engine before adjusting the height of cut (unless you can adjust it from the operating position).
- Never run an engine in an area where exhaust gasses are enclosed.

- Never leave a running machine unattended.
- Before leaving the operating position (including to empty the catchers or to unclog the chute), do the following:
 - Park the machine on level ground.
 - Disengage the power take-off and lower the attachments.
 - Engage the parking brake.
 - Shut off the engine and remove the key.
 - Wait for all moving parts to stop.
- Do not operate the machine when there is the risk of lightning.
- Do not use the machine as a towing vehicle.
- Use accessories, attachments, and replacement parts approved by The Toro® Company only.

Rollover Protection System (ROPS) Safety

- **Do not** remove the ROPS from the machine.
- Ensure that the seat belt is attached and that you can release it quickly in an emergency.
- Always wear your seat belt if your machine has a fixed roll bar.
- Check carefully for overhead obstructions and do not contact them.
- Keep the ROPS in safe operating condition by thoroughly inspecting it periodically for damage and keeping all the mounting fasteners tight.
- Replace a damaged ROPS. Do not repair or alter it.

Slope Safety

- Slopes are a major factor related to loss of control and rollover accidents, which can result in severe injury or death. You are responsible for safe slope operation. Operating the machine on any slope requires extra caution.
- Evaluate the site conditions to determine if the slope is safe for machine operation, including surveying the site. Always use common sense and good judgment when performing this survey.
- Review the slope instructions, listed below, for operating the machine on slopes. Before you operate the machine, review the site conditions to determine whether you can operate the machine in the conditions on that day and at that site. Changes in the terrain can result in a change in slope operation for the machine.
 - Avoid starting, stopping, or turning the machine on slopes. Avoid making sudden changes in

- speed or direction. Make turns slowly and gradually.
- Do not operate a machine under any conditions where traction, steering, or stability is in question.
- Remove or mark obstructions such as ditches, holes, ruts, bumps, rocks, or other hidden hazards. Tall grass can hide obstructions. Uneven terrain could overturn the machine.
- Be aware that operating the machine on wet grass, across slopes, or downhill may cause the machine to lose traction. Loss of traction to the drive wheels may result in sliding and a loss of braking and steering.
- Use extreme caution when operating the machine near drop-offs, ditches, embankments, water hazards, or other hazards. The machine could suddenly roll over if a wheel goes over the edge or the edge caves in. Establish a safety area between the machine and any hazard.
- Identify hazards at the base of the slope. If there are hazards, mow the slope with a pedestrian-controlled machine.
- If possible, keep the cutting units lowered to the ground while operating on slopes. Raising the cutting units while operating on slopes can cause the machine to become unstable.
- Use extreme caution with grass-collection systems or other attachments. These can change the stability of the machine and cause a loss of control.

Breaking in the Machine

Refer to the engine manual supplied with the machine for oil change and maintenance procedures recommended during the break-in period.

Only 8 hours of operation is required for the break-in period.

Since the first hours of operation are critical to future dependability of the machine, monitor its functions and performance closely so that minor difficulties, which could lead to major problems, are noted and can be corrected. Inspect the machine frequently during break-in for signs of oil leakage, loose fasteners, or any other malfunction.

Starting the Engine

Important: Do not use ether or other types of starting fluid.

Note: You may need to bleed the fuel system before starting the engine if any of the following situations have occurred:

- Initial start up of a new engine.
- The engine has ceased running due to lack of fuel.
- Maintenance has been performed upon fuel system components.

Refer to your engine *Owner's Manual*.

1. Sit on the seat, lock the parking brake, disengage the raise/lower mow control and move the functional-control lever to the NEUTRAL position.
 2. Remove your foot from the traction pedal and make sure the pedal is in the NEUTRAL position.
 3. Move the throttle lever to the SLOW position.
 4. Insert the key into the switch and rotate it to the ON position. Hold it in the ON position until the glow-plug-indicator light goes off (approximately 6 seconds).
 5. Turn the ignition key to the START position.
- Important:** To prevent overheating of the starter motor, do not engage the starter longer than 10 seconds. After 10 seconds of continuous cranking, wait 60 seconds before engaging the starter motor again.
6. Release the key when the engine starts and allow it to move to the ON position.
 7. Allow the engine to warm up for a few minutes before operating.

Important: When starting the engine for the first time or after an overhaul of the engine, operate the machine in forward and reverse for 1 to 2 minutes. Turn the steering wheel to the left and right to check the steering response. Then shut the engine off and wait for all moving parts to stop; refer to [Shutting Off the Engine \(page 25\)](#). Check for oil leaks, loose parts and any other noticeable malfunctions.

Checking the Machine After Starting the Engine

1. Move the throttle lever to the FAST position.
2. Move the raise/lower mow control lever forward momentarily.

The cutting units should lower and all the reels should rotate.

Note: The function lever should be in the middle (mow) position for the reels run when lowering the cutting units

3. Move the raise/lower mow control lever rearward.

The cutting reels should stop rotating and the cutting units should raise to the full transport position.

4. Engage the brake to keep the machine from moving, and operate the traction pedal through the forward and reverse positions.
5. Continue the above procedure for 1 to 2 minutes. Move the functional-control lever to the NEUTRAL position, lock the parking brake, and shut off the engine.
6. Check for fluid leaks and tighten the hydraulic fittings if any are found.

Note: When the machine is new and the bearings and reels are tight, it is necessary to use the FAST throttle lever position for this check. A fast throttle setting may not be required after the break-in period.

Note: If fluid leaks continue to appear, contact your authorized Toro distributor for assistance and, if necessary, replacement parts.

Important: A trace of fluid on the motor or wheel seals is normal. Seals require a small amount of lubrication to perform properly.

Shutting Off the Engine

1. Move the throttle lever to the SLOW position, pull back the raise/lower mow control, and move the functional-control lever to the NEUTRAL position.
2. Rotate the ignition key to the OFF position to shut off the engine. Remove the key from the switch to prevent accidental starting.
3. Close the fuel shut-off valve before storing the machine.

Checking the Safety-Interlock System

Service Interval: Before each use or daily

⚠ CAUTION

If the safety interlock switches are disconnected or damaged the machine could operate unexpectedly, causing personal injury.

- **Do not tamper with the interlock switches.**
- **Check the operation of the interlock switches daily and replace any damaged switches before operating the machine.**

The purpose of the safety-interlock system is to prevent operation of the machine where there is possible injury to you or damage to the machine.

The safety-interlock system prevents the engine from starting unless:

- The traction pedal is in the NEUTRAL position.
- The functional-control lever is in the NEUTRAL position.

The safety-interlock system prevents the machine from moving unless:

- The parking brake is disengaged.
- You are seated in the operator's seat.
- The functional-control lever is in the MOW position or the TRANSPORT position.

The safety-interlock system prevents the reels from operating unless the functional-control lever is in the MOW position.

Checking the Traction Pedal

Perform the following system checks daily to ensure that the interlock system is operating correctly:

1. Sit on the seat, move the traction pedal to the NEUTRAL position, move the functional-control lever to the NEUTRAL position, and engage the parking brake.
2. Try to move the traction pedal forward or backward.

The pedal should not move, which indicates that the interlock system is operating correctly. Correct the problem if it is not operating properly.

Checking the Function Control

1. Sit on the seat, move the traction pedal to the NEUTRAL position, move the functional-control lever to the NEUTRAL position, and engage the parking brake.
2. Move the functional-control lever to the MOW position or the TRANSPORT position and try to start the engine.

The engine should not turnover or start, which indicates that the interlock system is operating correctly. Correct the problem if it is not operating properly.

3. Sit on the seat, move the traction pedal to the NEUTRAL position, move the functional-control lever to the NEUTRAL position, and engage the parking brake.
4. Start the engine and move the functional-control lever to the MOW position or the TRANSPORT position.

The engine should shut off, which indicates that the interlock system is operating correctly.

Correct the problem if it is not operating properly.

Checking the Operator's Presence Switch

1. Sit on the seat, move the traction pedal to the NEUTRAL position, move the functional control lever to the NEUTRAL position, and engage the parking brake.
2. Start the engine.
3. Release the parking brake, move the functional control lever to the MOW position, and rise from the seat.

The engine should shut off, which indicates that the interlock system is operating correctly. Correct the problem if it is not operating properly.

Checking the Raise/Lower Mow Control

1. Sit on the seat, move the traction pedal to the NEUTRAL position, move the functional control lever to the NEUTRAL position, and engage the parking brake.
2. Start the engine.
3. Move the raise/lower mow control forward to lower the cutting units. The cutting units should lower but not start rotating.

If they start rotating, the interlock system is not operating correctly; correct the problem before operating the machine.

Driving the Machine without Mowing

- Ensure that the cutting units are fully raised.
- Move the functional-control lever to the TRANSPORT position.
- Use the brakes to slow the machine while going down steep hills to avoid loss of control.
- Always approach rough areas at a reduced speed and cross severe undulations carefully.
- Familiarize yourself with the width of the machine. Do not attempt to pass between objects that are close together to prevent costly damage and downtime.

Mowing the Green

Important: If the leak detector alarm (if equipped on your model) sounds or you notice an oil leak while cutting on a green, immediately raise the cutting units, drive directly off the green, and stop the machine in an area away from the green. Determine the cause of the leak and correct the problem.

Before mowing greens, find a clear area and practice performing basic machine functions (e.g., starting and stopping the machine, raising and lowering the cutting units, and turning).

Inspect the green for debris, remove the flag from the cup, and determine the best direction to mow. Base the direction to mow on the previous mowing direction. Always mow in an alternate pattern from the previous mowing so that the grass blades are less apt to lay down and therefore be difficult to trap between the reel blades and the bedknife.

Cutting the Green

1. Approach the green with the functional-control lever in the Mow position and the throttle at full speed.
2. Start on 1 edge of the green so that you can use the ribbon procedure of cutting.

Note: This holds compaction to a minimum and leaves a neat, attractive pattern on the greens.

3. Push forward the raise/lower mow lever as the front edges of the grass baskets cross the outer edge of the green.

Note: This procedure drops the cutting units to the turf and starts the reels.

Important: The center cutting unit drops and raises slightly after the front cutting units do; therefore, you should practice gaining the required timing necessary to minimize the cleanup mowing operation.

Note: The delay in raising and lowering the center cutting unit depends on hydraulic fluid temperature. Cold hydraulic fluid results in a longer delay. As the fluid temperature increases, the delay time becomes shorter.

4. Overlap a minimal amount with the previous cut on return passes.

Note: To assist in maintaining a straight line across the green and keeping the machine an equal distance from the edge of the previous cut, imagine a sight line approximately 1.8 to 3 m (6 to 10 ft) ahead of the machine to the edge of the uncut portion of the green (Figure 26). Include the outer edge of the steering wheel as part of

the sight line; i.e., keep the steering wheel edge aligned with a point that is always kept the same distance away from the front of the machine.

- As the front edges of the baskets cross the edge of the green, pull back the raise/lower mower lever rearward and hold it until all the cutting units have risen. This stops the reels and lifts the cutting units.

Important: Time this step correctly so that you do not cut into the fringe area, yet cut as much of the green as possible to minimize the amount of grass left to mow around the outer periphery.

- To cut down on operating time and to ease the lineup for the next pass, momentarily turn the machine in the opposite direction, then turn it in the direction of the uncut portion. This movement is a tear-shaped turn (Figure 25), which quickly lines the machine up for your next pass.

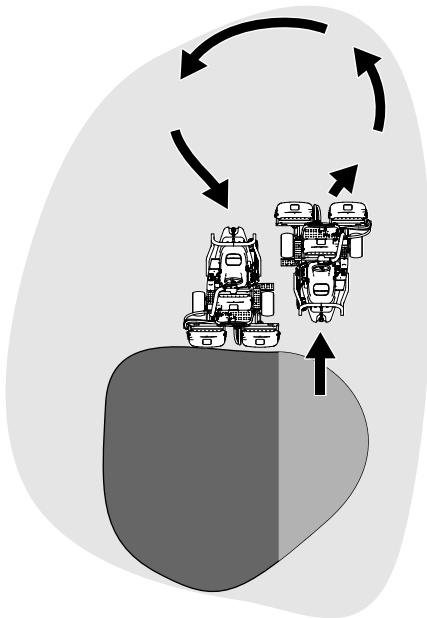


Figure 25

g229671

Note: Try to make as short of a turn as possible, except during warmer weather—a wider arc minimizes the turf bruising.

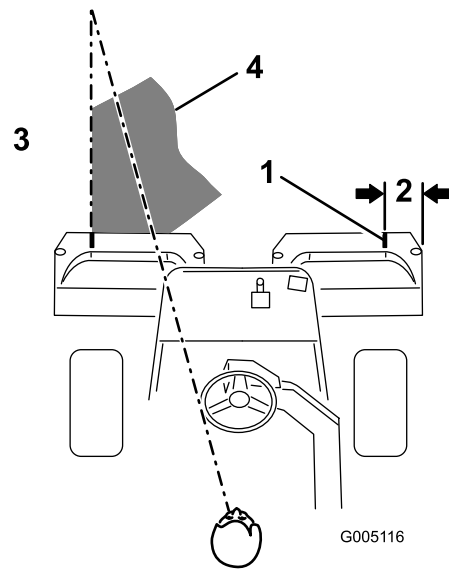


Figure 26

G005116

g005116

- Alignment strip
- Approximately 12.7 cm (5 inches)
- Cut grass on the left.
- Keep a focal spot 2 to 3 m (6 to 10 ft) ahead of the machine.

Note: The steering wheel does not return to its original position after you complete a turn.

Important: Never stop the machine on a green while the cutting units are engaged, as damage to the turf may result. Stopping the machine on a wet green may leave marks or indentations from the wheels.

Cutting the Periphery and Finishing the Job

- Finish cutting the green by mowing the outer periphery. Change the direction of cutting from the previous mowing.

Note: Use the throttle lever to adjust the machine speed when you cut the periphery. This will match the clip to the green and may reduce triplex ring.

Note: Always keep weather and turf conditions in mind and be sure to change the direction of mowing from the previous cutting.

- When finished mowing the outer periphery, tap the raise/lower mower lever rearward to stop the reels, then drive off the green. When all the cutting units are off the green, raise the cutting units.

Note: This step minimizes grass clumps left on the green.

- Replace the flag.

4. Empty the grass baskets of all clippings before you transport the machine to the next green.

Note: Heavy wet clippings place an undue strain on the baskets and add unnecessary weight to the machine, which increases the load on the machine systems (e.g., engine, hydraulic system, and brakes).

After Operation

After Operation Safety

General Safety

- Shut off the engine and remove the key. Wait for all moving parts to stop and allow the machine to cool before adjusting, cleaning, storing, or repairing it.
- Clean grass and debris from the cutting units, drives, mufflers, cooling screens, and engine to help prevent fires. Clean up oil or fuel spills.
- Shut off the fuel while storing or transporting the machine.
- Disengage the drive to the attachment whenever you are transporting or not using the machine.
- Allow the engine to cool before storing the machine in any enclosure.
- Maintain and clean the seat belt(s) as necessary.
- Never store the machine or fuel container where there is an open flame, spark, or pilot light, such as on a water heater or on other appliances.

Towing Safety

- Tow only with a machine that has a hitch designed for towing. Do not attach towed equipment except at the hitch point.
- Follow the manufacturer's recommendation for weight limits for towed equipment and towing on slopes. On slopes, the weight of the towed equipment may cause loss of traction and loss of control.
- Never allow children or others in or on towed equipment.
- Travel slowly and allow extra distance to stop when towing.

Inspecting and Cleaning after Mowing

After mowing, thoroughly wash the machine with a garden hose without a nozzle so that excessive water pressure does not contaminate and damage the seals and bearings. **Do not wash a warm engine or the electrical connections with water.**

After cleaning the machine, do the following:

- Inspect the machine for possible hydraulic fluid leaks, damage or wear to hydraulic and mechanical components.
- Inspect the cutting units for sharpness.
- Lubricate the brake-shaft assembly with SAE 30 oil or spray lubricant to deter corrosion and help keep the machine performing satisfactorily during the next mowing operation.

Hauling the Machine

- Use care when loading or unloading the machine into a trailer or a truck.
- Use a full-width ramp for loading the machine into a trailer or a truck.
- Tie the machine down securely using straps, chains, cable, or ropes. Both front and rear straps should be directed down and outward from the machine.

Towing the Machine

In case of an emergency, you can tow the machine for up to 0.4 km (1/4 mile).

Important: Do not tow the machine faster than 3 to 5 km/h (2 to 3 mph) to avoid damaging the drive system. If you must move the machine more than 0.4 km (1/4 mile), transport it on a truck or trailer.

1. Locate the bypass valve on the pump and rotate it counter-clockwise 2 full turns (Figure 27).

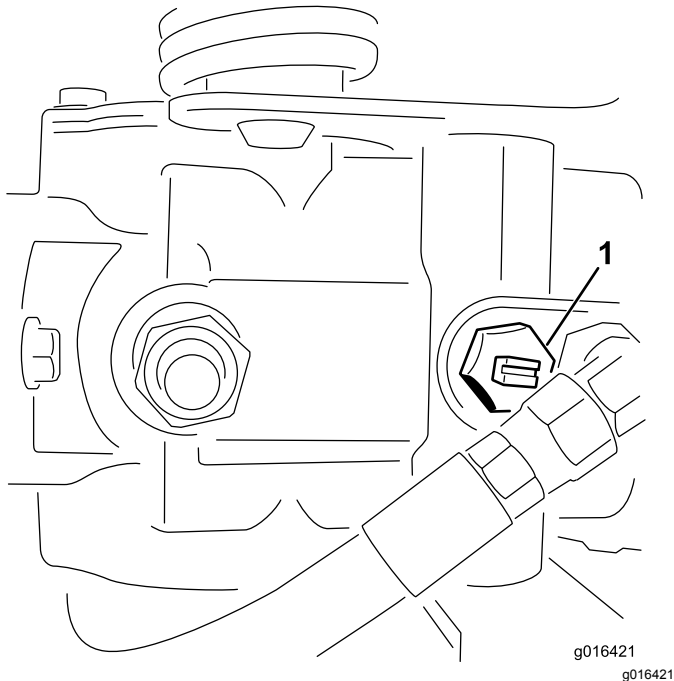


Figure 27
View from below

1. Bypass valve
-
2. Before starting the engine, close the bypass valve by rotating it clockwise 2 full turns (Figure 27).

Important: Do not start the engine when the valve is open.

Maintenance

⚠ WARNING

Failure to properly maintain the machine could result in premature failure of machine systems causing possible harm to you or bystanders.

Keep the machine well maintained and in good working order as indicated in these instructions.

Note: Determine the left and right sides of the machine from the normal operating position.

Note: Download a free copy of the electrical or hydraulic schematic by visiting www.Toro.com and searching for your machine from the Manuals link on the home page.

Important: Refer to your engine *Owner's Manual* for additional maintenance procedures.

⚠ CAUTION

If you leave the key in the ignition switch, someone could accidentally start the engine and seriously injure you or other bystanders.

Remove the key from the ignition and disconnect the wires from the spark plugs before you do any maintenance. Set the wires aside so that they do not accidentally contact the spark plugs.

Maintenance Safety

- Before adjusting, cleaning, repairing, or leaving the machine, do the following:
 - Park the machine on a level surface.
 - Move the throttle switch to the low-idle position.
 - Disengage the cutting units.
 - Lower the cutting units.
 - Ensure that the traction is in neutral.
 - Engage the parking brake.
 - Shut off the engine and remove the key.
 - Wait for all moving parts to stop.
 - Allow machine components to cool before performing maintenance.
- If the cutting units are in the transport position, use the positive mechanical lock (if available) before you leave the machine unattended.
- If possible, do not perform maintenance while the engine is running. Keep away from moving parts.
- Use jack stands to support the machine or components when required.
- Carefully release pressure from components with stored energy.

Recommended Maintenance Schedule(s)

Maintenance Service Interval	Maintenance Procedure
After the first hour	<ul style="list-style-type: none"> • Torque the wheel nuts.
After the first 8 hours	<ul style="list-style-type: none"> • Check the tension on the alternator belt.
After the first 10 hours	<ul style="list-style-type: none"> • Torque the wheel nuts.
After the first 50 hours	<ul style="list-style-type: none"> • Change the engine oil and filter. • Change the hydraulic-fluid filter. • Check the engine speed (at idle and full throttle).
Before each use or daily	<ul style="list-style-type: none"> • Inspect the seat belt(s) for wear, cuts, and other damage. Replace the seat belt(s) if any component does not operate properly. • Check the safety-interlock system • Check the safety-interlock system. • Inspect and cleanup after mowing. • Check the engine oil. • Drain water from the fuel filter. • Check the tire pressure. • Clean the radiator screen. Clean it hourly if conditions are extremely dusty and dirty. • Check the engine-coolant level. • Check the hydraulic fluid level. • Check the hydraulic lines and hoses. • Check the reel-to-bedknife contact.
Every 50 hours	<ul style="list-style-type: none"> • Grease the machine. (Also, apply grease after every washing.) • Check the battery electrolyte level. (If the machine is in storage, check the electrolyte level every 30 days.) • Lubricate the bearings and bushings. • Check the battery cable connections.
Every 150 hours	<ul style="list-style-type: none"> • Change the engine oil and filter.
Every 200 hours	<ul style="list-style-type: none"> • Service the air-cleaner filter (more frequently when operating conditions are dusty or dirty). • Torque the wheel nuts.
Every 800 hours	<ul style="list-style-type: none"> • Replace the fuel filter. • Change the hydraulic fluid, filter, and tank breather. • Check the engine speed (at idle and full throttle). • Check the valve clearance.
Every 2 years	<ul style="list-style-type: none"> • Check the fuel lines and connections. • Drain and flush cooling system. • Replace any loose hoses.

Daily Maintenance Checklist

Duplicate this page for routine use.

Maintenance Check Item	For the week of:						
	Mon.	Tues.	Wed.	Thurs.	Fri.	Sat.	Sun.
Check the safety-interlock operation.							
Check the instrument operation							
Check the brake operation.							
Check the fuel filter/water separator.							
Check the fuel level.							
Check the engine-oil level.							
Check the hydraulic-fluid level.							
Clean the screen and radiator.							
Inspect the air filter.							
Check any unusual engine noises.							
Check the reel-to-bedknife adjustment.							
Check the hydraulic hoses for damage.							
Check for fluid leaks.							
Check the tire pressure.							
Check the height-of-cut adjustment.							
Lubricate all grease fittings. ¹							
Lubricate the traction and brake linkage.							
Touch-up damaged paint.							

1. Immediately after every washing, regardless of the interval listed.

Notation for Areas of Concern

Inspection performed by:		
Item	Date	Information

Lubrication

Greasing the Machine

Service Interval: Every 50 hours (Also, apply grease after every washing.)

The machine has grease fittings that must be lubricated regularly with No. 2 general-purpose, lithium-base grease. If the machine is operated under normal conditions, lubricate all bearings and bushings **after every** 50 hours of operation. Lubricate fittings immediately after every washing, regardless of the interval listed.

The following machine bearings and bushings must be lubricated:

- Rear wheel hub (1) (Figure 28)

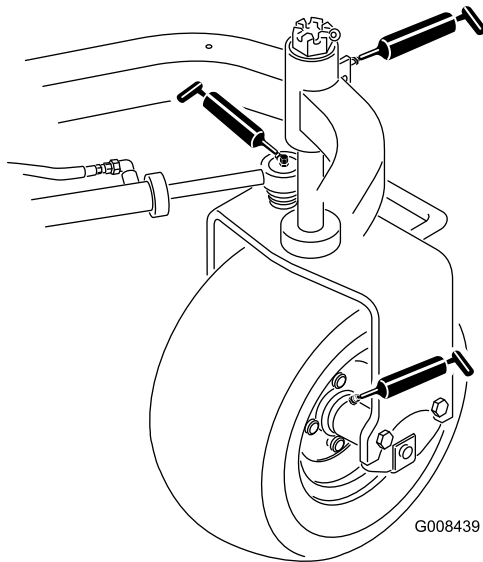


Figure 28

- Castor bearing (1) (Figure 28)
- Steering cylinder (2) (Figure 28)
- Lift arms (3) (Figure 29)

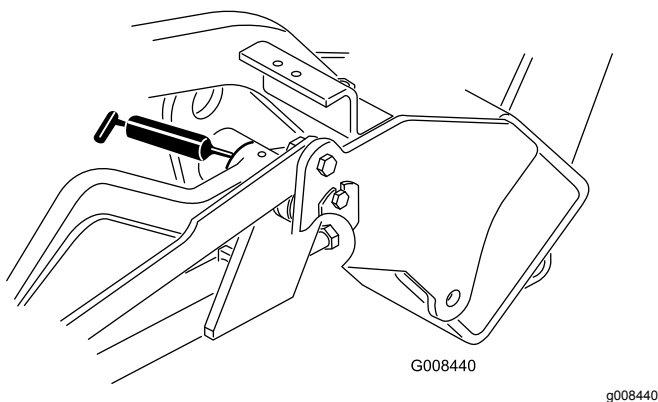


Figure 29

- Traction pedal pivot (1) (Figure 30)

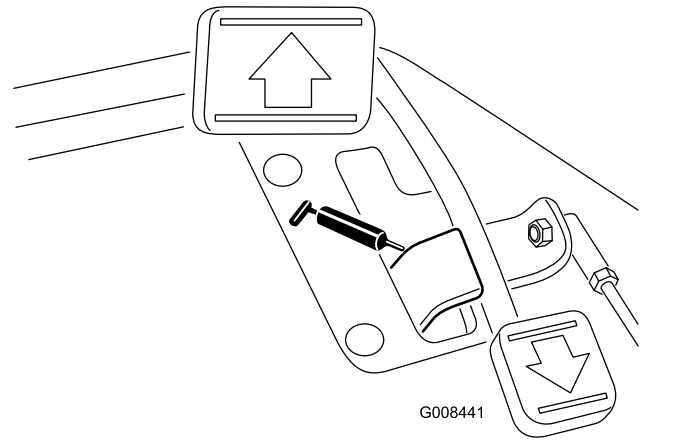


Figure 30

- Carrier frame pivot (3) (Figure 31)

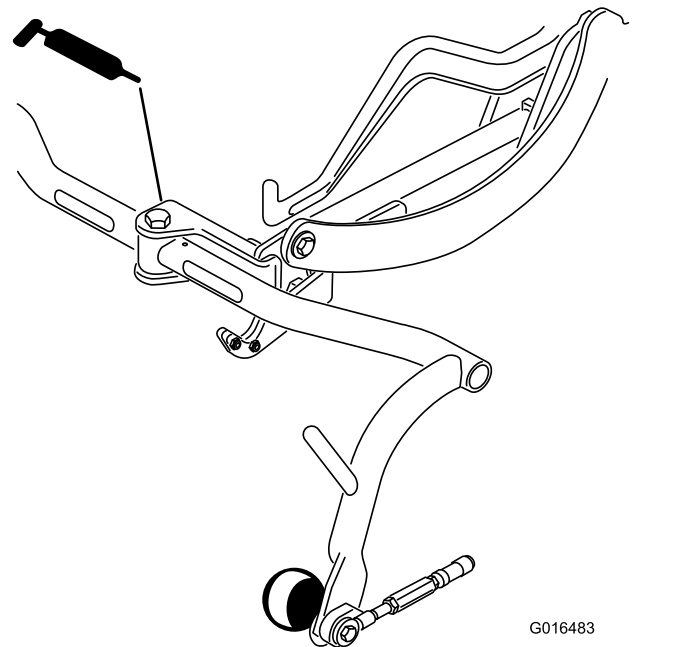


Figure 31

1. Wipe the grease fitting clean so foreign matter cannot be forced into the bearing or bushing.
2. Pump grease into the bearing or bushing.
3. Wipe up excess grease.
4. Apply grease to the reel motor spline shaft and onto the lift arm when the cutting unit is removed for service.
5. Apply a few drops of SAE 30 engine oil or spray lubricant (WD 40) daily to all pivot points after cleaning.

Note: Refer to the *Cutting Unit Operator's Manual* for cutting unit lubrication requirements.

Engine Maintenance

Engine Safety

- Shut off the engine before checking the oil or adding oil to the crankcase.
- Do not change the governor speed or overspeed the engine.

Servicing the Air Cleaner

Service Interval: Every 200 hours—Service the air-cleaner filter (more frequently when operating conditions are dusty or dirty).

- Check the air-cleaner body for damage which could cause an air leak; replace it if it is damaged. Check the whole intake system for leaks, damage, or loose hose clamps.
 - Changing the air filter before it is necessary increases the chance of dirt entering the engine when the filter is removed.
 - Ensure that the cover is seated correctly and seals with the air cleaner body.
1. Release the latches that secure the air-cleaner cover to the air-cleaner body (Figure 32).

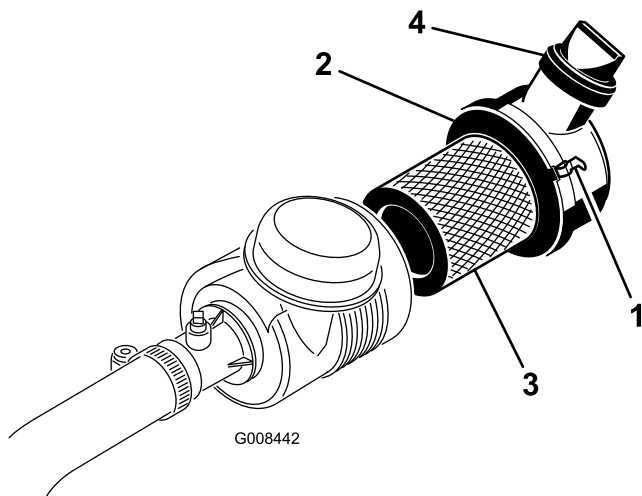


Figure 32

- | | |
|------------------------|-----------------|
| 1. Air-cleaner latches | 3. Filter |
| 2. Dust cap | 4. Outlet valve |

2. Remove the cover from the air-cleaner body.
3. Before removing the filter, use low pressure air (275 kPa (40 psi), clean and dry) to help remove large accumulations of debris packed between the outside of the primary filter and the canister. This cleaning process prevents debris getting into the intake when you remove the primary filter.

Important: Avoid using high pressure air which could force dirt through the filter into the intake tract.

4. Remove and replace the primary filter, as follows:

Important: Do not clean the used element.

- A. Inspect the new filter for shipping damage; do not use a damaged element.
- B. Carefully pull the old filter out of the filter body and discard it.
- C. Insert the new filter by applying pressure to the outer rim of the element to seat it in the canister, checking the sealing end of the filter and the body.

Important: Do not apply pressure to the flexible center of the filter.

5. Clean the dirt ejection port located in the removable cover. Remove the rubber outlet valve from the cover, clean the cavity and replace the outlet valve.
6. Install the cover orienting the rubber outlet valve in a downward position—between approximately 5 o'clock to 7 o'clock when viewed from the end.
7. Ensure that the latches secure the cover to the body (Figure 32).

Servicing the Engine Oil

Checking the Engine Oil

Service Interval: Before each use or daily

The engine is shipped with 3.7 L (3.9 US qt) (with filter) of oil in the crankcase; however, you must check the oil level before and after starting the engine the first time.

Use high-quality engine oil that meets the following specifications:

- API Classification Level Required: CH-4, CI-4 or higher.
- Preferred oil: SAE 10W-30
- Alternate oil: SAE 15W-40

Toro Premium Engine oil is available from your distributor in the 10W-30 viscosity. See the parts catalog for part numbers.

Note: The best time to check the engine oil is when the engine is cool before it has been started for the day. If it has already been run, allow the oil to drain back down to the sump for at least 10 minutes before checking. If the oil level is at or below the Add mark

on the dipstick, add oil to bring the oil level to the FULL mark. **Do not overfill.**

Important: Keep the engine oil level between the upper and lower limits on the oil gauge; the engine may fail if you run it with too much or too little oil.

1. Park the machine on a level surface, shut off the engine and remove the key.
2. Remove the dipstick and wipe it with a clean rag (Figure 34).

Important: Remove the dipstick while filling the engine with oil. When adding engine oil or filling oil, there *must be* clearance between the oil fill device and the oil fill hole in the valve cover as shown in Figure 33. This clearance is necessary to permit venting when filling, which prevents oil from overrunning into breather.

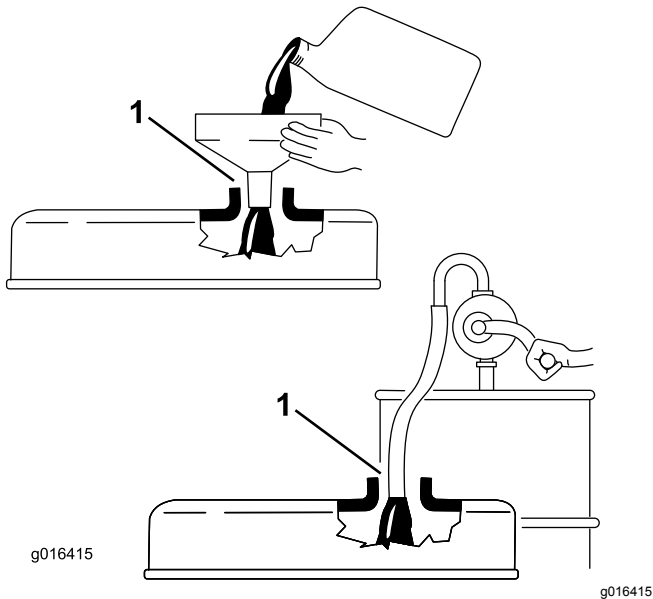


Figure 33

1. Note clearance

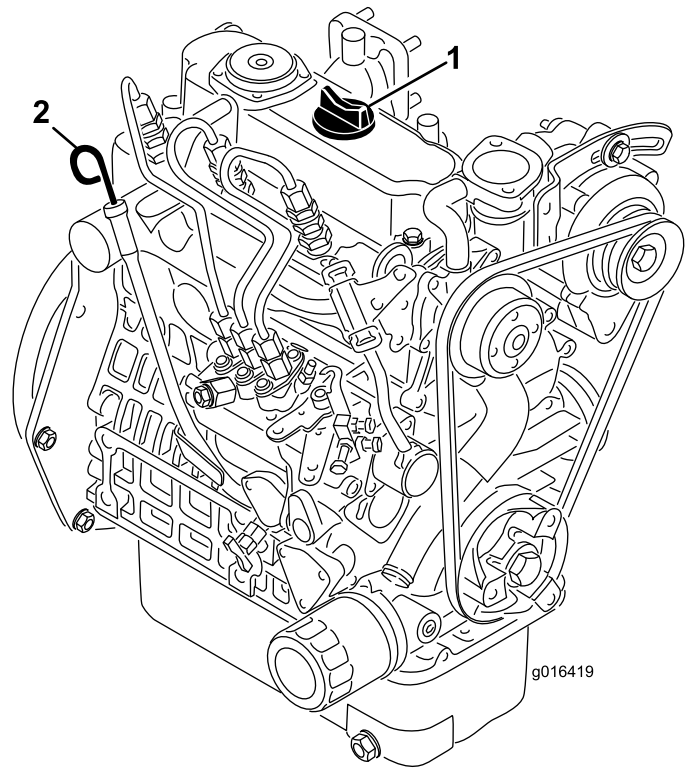


Figure 34

1. Filler cap
2. Dipstick

3. Push the dipstick into the tube and make sure it is seated fully.
4. Remove the dipstick from the tube and check the level of oil.

Note: If the oil level is low, remove the filler cap from the valve cover and **slowly** add enough oil to raise the level to the FULL mark on the dipstick.

Add the oil slowly and check the level often during this process. **Do not overfill.**

5. Replace the dipstick.
6. Start and run the engine at idle for 30 seconds, then shut the engine off. Wait 30 seconds, then repeat steps 2 through 5.
7. Install the filler cap and dipstick firmly in place.

Changing the Engine Oil and Filter

Service Interval: After the first 50 hours

Every 150 hours

1. Remove the drain plug (Figure 35) and let the oil flow into a drain pan. When the oil stops, install the drain plug.

Fuel System Maintenance

Draining Water from the Fuel Filter

Service Interval: Before each use or daily

1. Position the machine on a level surface and shut off the engine.
2. Place a drain pan under the fuel filter.
3. Open the drain plug on the fuel filter approximately one turn and drain any accumulated water (Figure 36).

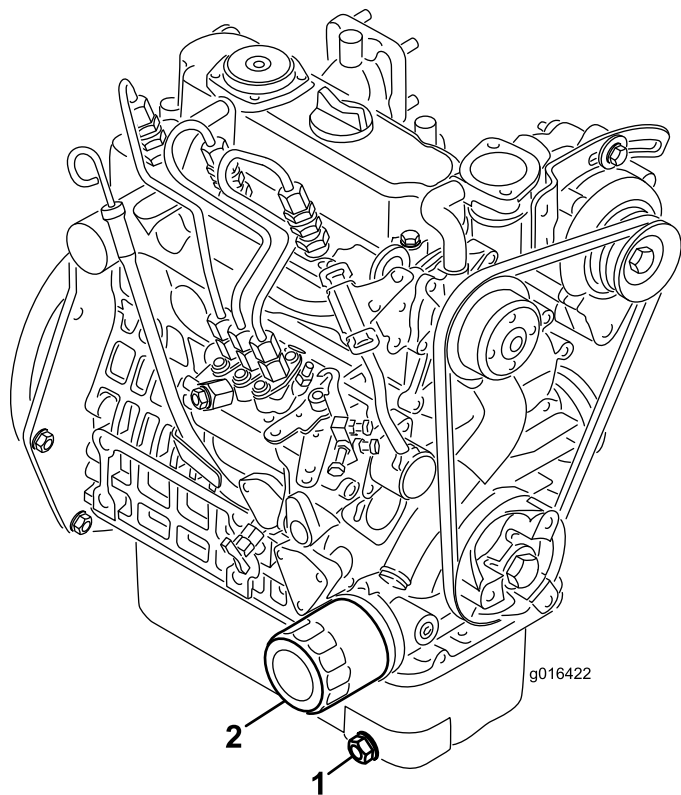


Figure 35

1. Drain plug
2. Oil filter

2. Remove the oil filter. Apply a light coat of clean oil to the new filter gasket.
3. Screw the filter on by hand until the gasket contacts the filter adapter, then tighten 1/2 to 3/4 turn further. **Do not overtighten.**
4. Add oil to the crankcase; refer to [Changing the Engine Oil and Filter \(page 35\)](#).
5. Dispose of the used oil and filter properly.

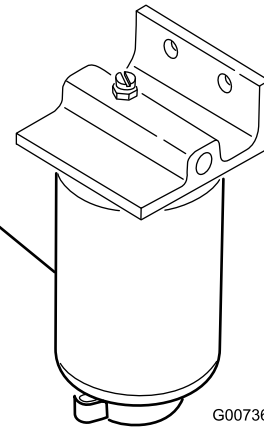


Figure 36

1. Fuel filter

4. Tighten the plug after draining.

Note: Because the accumulated water will be mixed with diesel fuel, drain the fuel filter into a suitable container and dispose of it properly.

Replacing the Fuel Filter

Service Interval: Every 800 hours

1. Close the fuel shutoff valve ([Figure 37](#)) below the fuel tank.

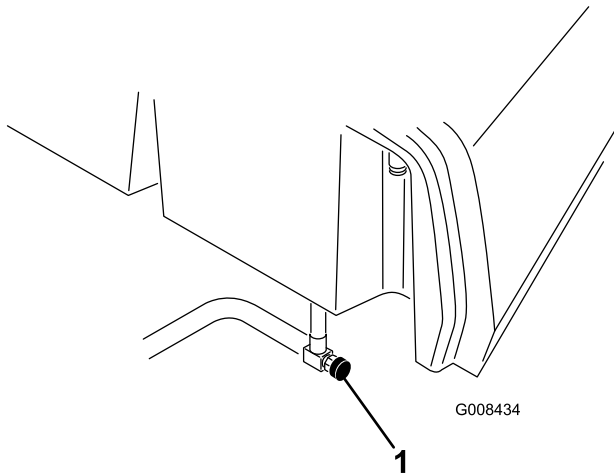


Figure 37

g008434

1. Fuel shut-off valve

-
2. Clean the area where the filter canister mounts.
 3. Place a drain pan under the fuel filter.
 4. Open the filter drain plug and breather valve ([Figure 38](#)).

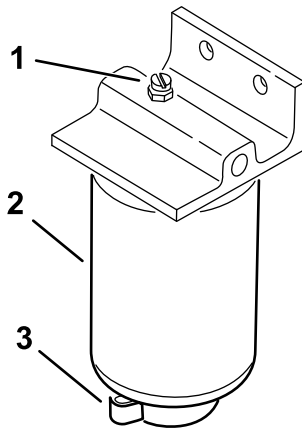


Figure 38

g254461

1. Breather valve
2. Fuel filter
3. Filter drain plug

-
5. Remove the filter canister and clean the mounting surface.
 6. Lubricate the gasket on the filter canister with clean oil.
 7. Install the filter canister by hand until the gasket contacts the mounting surface, then rotate an additional 1/2 turn.
 8. Tighten the drain plug on the bottom of the filter canister and open the fuel shut off valve.

9. Dispose of the fuel and filter according to local regulations.

Inspecting the Fuel Lines and Connections

Service Interval: Every 2 years

Inspect the fuel lines for deterioration, damage, or loose connections.

Electrical System Maintenance

Electrical System Safety

- Disconnect the battery before repairing the machine. Disconnect the negative terminal first and the positive last. Connect the positive terminal first and the negative last.
- Charge the battery in an open, well-ventilated area, away from sparks and flames. Unplug the charger before connecting or disconnecting the battery. Wear protective clothing and use insulated tools.

Servicing the Battery

Service Interval: Every 50 hours (If the machine is in storage, check the electrolyte level every 30 days.)

Properly maintain the battery electrolyte and keep the top of the battery clean. Store the machine in a cool place to prevent the battery from running down.

The battery cables must be tight on the terminals to provide good electrical contact.

⚠ DANGER

Battery electrolyte contains sulfuric acid, which can be fatal if consumed and causes severe burns.

- **Do not drink electrolyte and avoid contact with skin, eyes or clothing. Wear safety glasses to shield your eyes and rubber gloves to protect your hands.**
- **Fill the battery where clean water is always available for flushing the skin.**

1. Check the electrolyte level in the cells of the battery.
2. If needed, add distilled or demineralized water into the cell of the battery.

Note: Only raise the electrolyte level to the bottom of the split ring inside each cell.

3. Clean the top of the battery by washing it periodically with a brush dipped in ammonia or bicarbonate of soda solution.
4. Flush the top surface of the battery with water after cleaning it.

Important: Do not remove the fill caps while cleaning the battery.

⚠ WARNING

Incorrect battery cable routing could damage the tractor and cables, causing sparks. Sparks can cause the battery gasses to explode, resulting in personal injury.

- **Always disconnect the negative (black) battery cable before disconnecting the positive (red) cable.**
- **Always connect the positive (red) battery cable before connecting the negative (black) cable.**

If corrosion occurs at the terminals, disconnect the cables, negative (-) cable first, and scrape the clamps and terminals separately. Connect the cables, positive (+) cable first, and coat the terminals with petroleum jelly.

Locating the Fuses

The fuses in the electrical system of the machine are located under the seat (Figure 39).

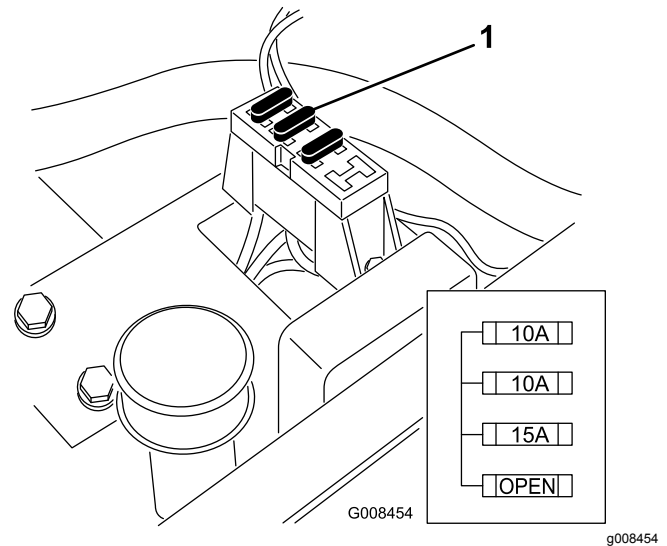


Figure 39

1. Fuses

Drive System Maintenance

Checking the Tire Pressure

Service Interval: Before each use or daily

Vary the tire pressure for the front wheels, depending upon your turf conditions, from a minimum of 55 kPa (8 psi) to a maximum of 83 kPa (2 psi).

Vary the tire pressure for the rear wheel from a minimum of 55 kPa (8 psi) to a maximum of 103 kPa (15 psi).

Checking the Torque of the Wheel Nuts

Service Interval: After the first hour

After the first 10 hours

Every 200 hours

⚠ WARNING

Failure to maintain proper torque of the wheel nuts could result in personal injury.

Torque the wheel nuts to the specified torque at the specified intervals.

Wheel nut torque specification: 95 to 122 N·m (70 to 90 ft-lb)

Note: To ensure even distribution, torque the wheel nuts in a X pattern.

Adjusting the Transmission for Neutral

If the machine creeps when the traction control pedal is in the NEUTRAL position, adjust the neutral-return mechanism.

1. Block up under the frame so that one of the front wheels is off of the floor.

Note: If the machine is equipped with a 3-Wheel Drive Kit, raise and block the rear wheel.

2. Start the engine, move the throttle to the SLOW position, and ensure that the front wheel that is off of the floor is not rotating.
3. If the wheel is rotating, shut off the engine and proceed as follows:

- A. Loosen both jam nuts securing the traction-control cable to the bulkhead on the hydrostat (Figure 40). Ensure that the jam nuts are loosened equally and sufficiently to allow adjustment.

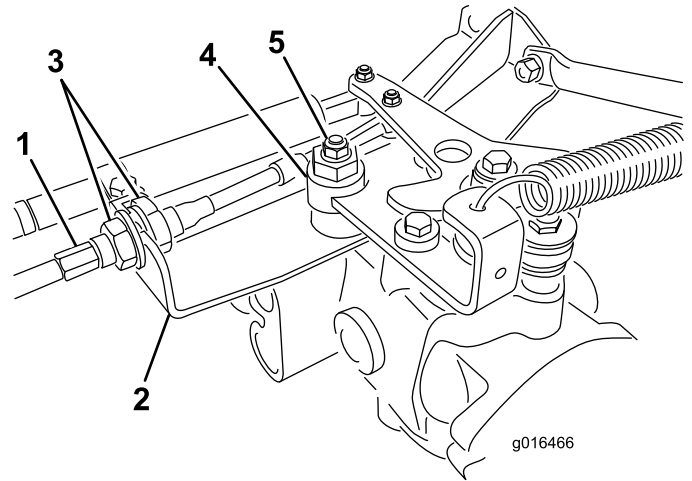


Figure 40

- | | |
|-------------------|--------------|
| 1. Traction cable | 4. Eccentric |
| 2. Bulkhead | 5. Locknut |
| 3. Jam nuts | |

Note: Loosen the nut securing the eccentric to the top of the hydrostat (Figure 40).

- B. Move the functional-control lever to the NEUTRAL position and the throttle lever to the SLOW position.
- C. Start the engine.
- D. Rotate the eccentric until creep does not occur in either direction.
- E. When the wheel stops rotating, tighten the nut locking the eccentric and the adjustment (Figure 40).
- F. Verify the adjustment with the throttle lever in the SLOW and FAST position.
- G. From each side of the bulkhead, tighten the locknuts evenly, securing the traction cable to the bulkhead (Figure 40). Do not twist the cable.

Note: If cable tension exists when the functional-control lever is in the NEUTRAL position, the machine may creep when you move the lever to the MOW or TRANSPORT position.

Adjusting the Transport Speed

Obtaining the Maximum Transport Speed

The traction pedal comes adjusted for maximum-transport speed, but you may need to adjust it if the pedal reaches full stroke before it contacts the pedal stop, or if you want to decrease the transport speed.

To obtain the maximum-transport speed, put the functional control lever in the TRANSPORT position and press down on the traction pedal. If the pedal contacts the stop (Figure 41) before you feel tension on the cable, perform the following adjustment procedure:

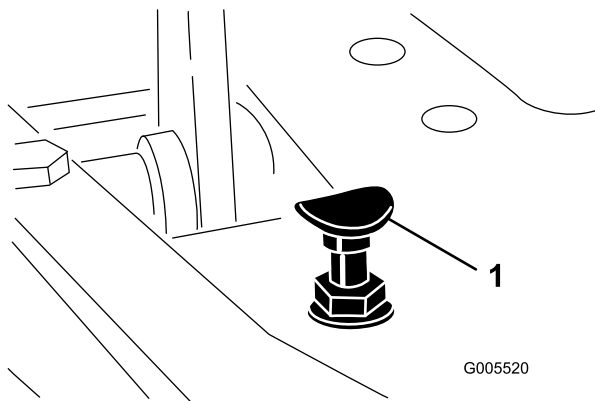


Figure 41

1. Pedal stop

1. Put the functional-control lever in the TRANSPORT position and loosen the locknut securing the pedal stop to the floor plate (Figure 41).
2. Tighten the pedal stop until it does not contact the traction pedal.
3. Continue applying a light load on the transport pedal and adjust the pedal stop so it contacts the pedal rod and tighten the nuts.

Important: Ensure that the tension on the cable is not excessive or you will reduce the cable life.

Reducing the Transport Speed

1. Press down on the traction pedal and loosen the locknut securing the pedal stop to the floor plate.
2. Loosen the pedal stop until you obtain the desired transport speed.
3. Tighten the locknut securing the pedal stop.

Adjusting the Mowing Speed

The machine is adjusted at the factory, but speed may be varied if desired.

1. Loosen the jam nut on the trunnion bolt (Figure 42).
2. Loosen the nut securing the lock and mow brackets on the pedal pivot.

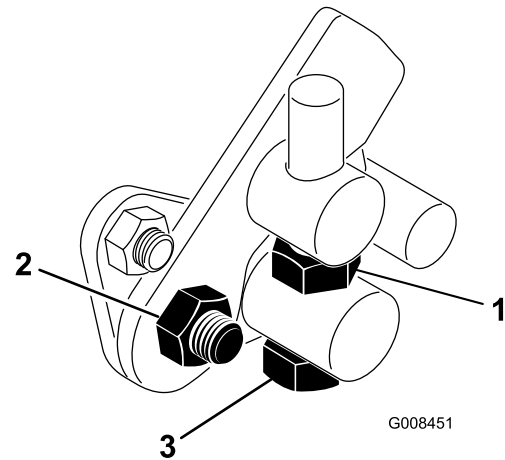


Figure 42

1. Jam nut
2. Nut
3. Trunnion bolt

3. Rotate the trunnion bolt clockwise to reduce the mowing speed and counterclockwise to increase the mowing speed.
4. Tighten the jam nut on the trunnion bolt and the nut on the pedal pivot to lock the adjustment (Figure 42). Check the adjustment and adjust as required.

Cooling System Maintenance

Cooling System Safety

- **Swallowing engine coolant can cause poisoning; keep out of reach from children and pets.**
- Discharge of hot, pressurized coolant or touching a hot radiator and surrounding parts can cause severe burns.
 - Always allow the engine to cool at least 15 minutes before removing the radiator cap.
 - Use a rag when opening the radiator cap, and open the cap slowly to allow steam to escape.

Cleaning the Radiator Screen

Service Interval: Before each use or daily Clean it hourly if conditions are extremely dusty and dirty.

To prevent the system from overheating, the radiator screen and radiator must be kept clean. Check and clean the screen and radiator daily or, if necessary, hourly. Clean these components more frequently in dusty, dirty conditions.

1. Remove the radiator screen (Figure 43).
2. Working from the fan side of the radiator, blow out the radiator with compressed air.

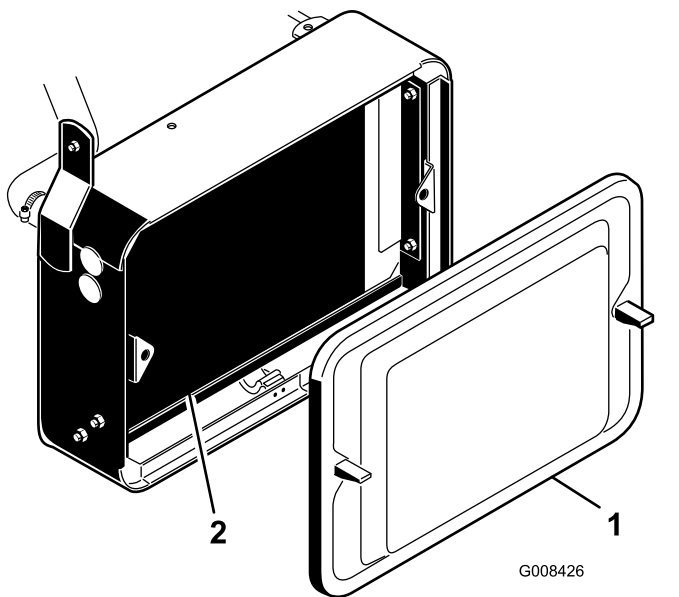


Figure 43

1. Radiator screen
2. Radiator

3. Clean the screen and install it.

Checking the Engine-Coolant Level

The capacity of the cooling system is approximately 3.2 L (3.3 US qt).

Fill the cooling system with a 50/50 solution of water and permanent ethylene glycol antifreeze. Check the level of the coolant at the beginning of each day before starting the engine.

⚠ CAUTION

If the engine has been running, the pressurized, hot coolant can escape and cause burns.

- Do not open the radiator cap when the engine is running.
- Use a rag when opening the radiator cap, and open the cap slowly to allow steam to escape.

1. Park the machine on a level surface.
2. Check the coolant level (Figure 44).

It should be between the lines on the reserve tank when the engine is cold.

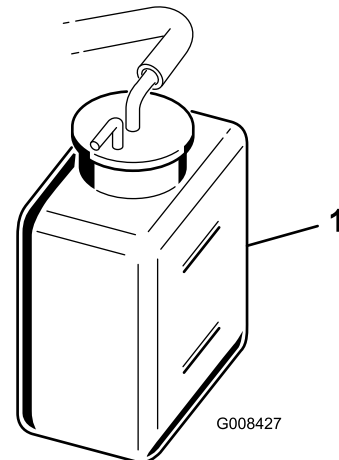


Figure 44

1. Reserve tank

3. If the coolant is low, remove the reserve tank cap and add a 50/50 mixture of water and permanent ethylene glycol antifreeze. **Do not overfill.**
4. Install the reserve-tank cap.

Brake Maintenance

Burnishing the Brakes

Firmly apply the brakes and drive the machine at mowing speed until the brakes are hot, as indicated by their smell. You may need to adjust the brakes after the break-in period; refer to [Adjusting the Brakes](#) (page 42).

Adjusting the Brakes

A brake adjustment rod is located on each side of the machine so that you can adjust the brakes equally.

1. While moving forward in transport speed, press the brake pedal; both wheels should lock equally.

⚠ CAUTION

Testing the brakes in a confined area where others are present could cause injury.

Always check the brakes in a wide, open-spaced, flat area free from people and obstructions before and after the adjustment.

2. If the brakes do not lock equally, adjust the brakes as follows:
 - A. Disconnect the brake rods by removing the cotter pin and clevis pin ([Figure 45](#)).

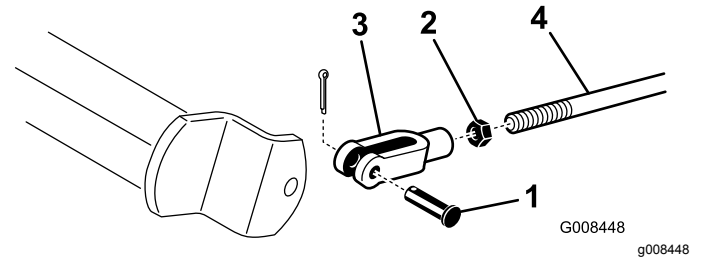


Figure 45

- | | |
|------------------------------|----------------|
| 1. Clevis pin and cotter pin | 3. Clevis |
| 2. Jam nut | 4. Brake shaft |

- B. Loosen the jam nut and adjust the clevis accordingly ([Figure 45](#)).
- C. Assemble the clevis to the brake shaft ([Figure 45](#)).
- D. Check the amount of free travel of the brake pedal. There should be 13 to 26 mm (1/2 to 1 inch) travel before the brake shoes make contact with the brake drums. Adjust, if necessary, to achieve this setting.
- E. While moving forward in transport speed, press the brake pedal; both brakes should lock equally. Adjust them, if necessary.

Important: Burnish the brakes annually; refer to the [Burnishing the Brakes](#) (page 42) section.

Belt Maintenance

Adjusting the Alternator Belt

Service Interval: After the first 8 hours

Ensure that the belt is properly tensioned to ensure proper operation of the machine and prevent unnecessary wear.

1. Park the machine on a level surface, shut off the engine, engage the parking brake, remove the key, and wait for all moving parts to stop.
2. Apply moderate thumb pressure to the belt between the pulleys (10 kg or 22 lb). The belt should deflect 7 to 9 mm (0.28 to 0.35 inch). If not, complete the following procedure to adjust the belt tension:

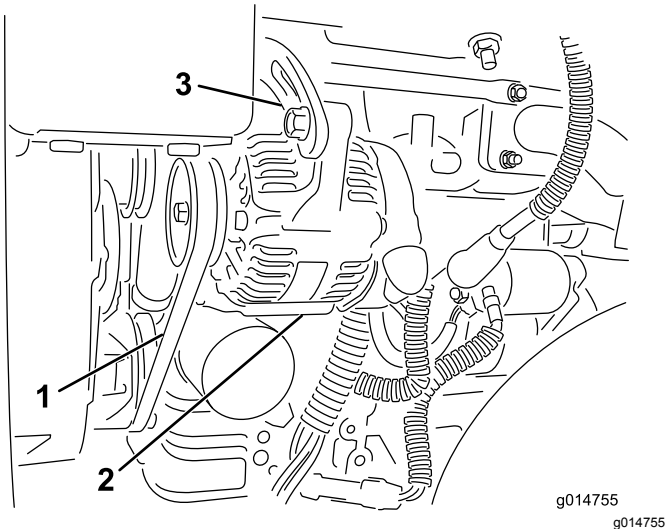


Figure 46

1. Alternator belt—apply pressure here
 2. Alternator
 3. Adjusting strap
-
- A. Loosen the bolts securing the alternator to the engine and adjusting strap.
 - B. Inspect the belt for wear or damage and replace if it is worn.
 - C. Using a lever placed between the alternator and the engine block, pull the alternator out to obtain the correct belt tension and tighten the bolts.

Controls System Maintenance

Adjusting the Cutting Unit Lift/Drop

The cutting unit lift/drop circuit comes with a flow-control valve (Figure 47). This valve is preset at the factory at approximately 3 turns open, but you may need to adjust it to compensate for differences in hydraulic fluid temperatures, mowing speeds, etc.

Note: Allow the hydraulic fluid to reach full operating temperature before adjusting the flow-control valve.

1. Raise the seat and locate the flow-control valve for the center-pull frame (Figure 47), which is located on the side of the hydraulic manifold.

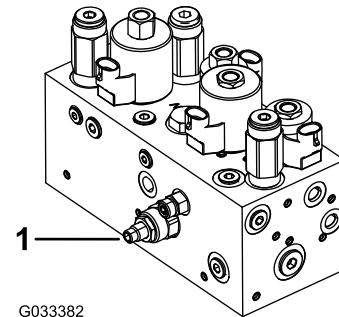


Figure 47

1. Flow-control valve
-
2. Loosen the jam nut on the adjusting knob on the flow control valve.
 3. Rotate the knob counterclockwise if the center cutting unit is dropping too late or clockwise if the center cutting unit is dropping too early. You should not need to rotate it more than **1/32 to 1/16 of a turn**.
 4. Test the adjustment and repeat step 3 as needed; when finished, tighten the jam nut.

Hydraulic System Maintenance

Hydraulic System Safety

- Seek immediate medical attention if fluid is injected into skin. Injected fluid must be surgically removed within a few hours by a doctor.
- Ensure that all hydraulic-fluid hoses and lines are in good condition and all hydraulic connections and fittings are tight before applying pressure to the hydraulic system.
- Keep your body and hands away from pinhole leaks or nozzles that eject high-pressure hydraulic fluid.
- Use cardboard or paper to find hydraulic leaks.
- Safely relieve all pressure in the hydraulic system before performing any work on the hydraulic system.

Servicing the Hydraulic Fluid

Important: Regardless of the hydraulic fluid type that you use, any machine used for off-green applications, verticutting or used during ambient temperatures above 29°C (85°F), install the Oil Cooler Kit (Part No. 104-7701); refer to [7 Installing the Oil Cooler \(page 13\)](#).

Hydraulic Fluid Specifications

The hydraulic-fluid reservoir is filled at the factory with approximately 20.8 L (5.5 US gallons) of high quality hydraulic fluid. Check the level of the hydraulic fluid before operating the machine each day. If the fluid is low, add an appropriate fluid as described in the following sections:

Toro Premium All Season Hydraulic Fluid (Available in 5 gallon pails or 55 gallon drums. See your machine *Parts Catalog* or you authorized Toro distributor for part numbers)

Alternate fluids: If the Toro fluid is not available, other fluids may be used, provided that they meet all the following material properties and industry specifications. The use of synthetic fluid is not recommended. Consult with your lubricant distributor to identify a satisfactory product

Note: Toro will not assume responsibility for damage caused by improper substitutions, so use only products from reputable manufacturers who will stand behind their recommendation.

High Viscosity Index/Low Pour Point Anti-wear Hydraulic Fluid, ISO VG 46	
Material Properties:	
Viscosity, ASTM D445	cSt @ 40° C 44 to 48 cSt @ 100° C 7.9 to 8.5
Viscosity Index ASTM D2270	140 to 160
Pour Point, ASTM D97	-34° F to -49° F
Industry Specifications:	
Vickers I-286-S (Quality Level), Vickers M-2950-S (Quality Level), Denison HF-0	

Important: The ISO VG 46 Multigrade fluid has been found to offer optimal performance in a wide range of temperature conditions. For operation in consistently high ambient temperatures, 18°C (65°F) to 49 C (120°F), ISO VG 68 hydraulic fluid may offer improved performance.

Premium Biodegradable Hydraulic Fluid-Mobil EAL EnviroSyn 46H

Important: Mobil EAL EnviroSyn 46H is the only synthetic biodegradable fluid approved by Toro. This fluid is compatible with the elastomers used in Toro hydraulic systems and is suitable for a wide-range of temperature conditions. This fluid is compatible with conventional mineral oils, but for maximum biodegradability and performance the hydraulic system should be thoroughly flushed of conventional fluid. The oil is available in 19 L (5 US gallon) containers or 208 L (55 US gallon) drums from your Mobil distributor.

Note: Many hydraulic fluids are almost colorless, making it difficult to spot leaks. A red dye additive for the hydraulic system oil is available in 20 ml (0.67 oz) bottles. One bottle is sufficient for 15 to 22 L (4 to 6 US gallons) of hydraulic fluid. Order Part No. 44-2500 from your authorized Toro distributor. **This red dye is not recommended for use with biodegradable fluids. Use food coloring.**

Checking the Hydraulic-Fluid Level

1. Park the machine on a level surface. Ensure that the machine has cooled down so the fluid is cold.
2. Remove the cap from the reservoir and check the fluid level. The fluid should be up to the bottom of the screen in the filler neck (Figure 48).

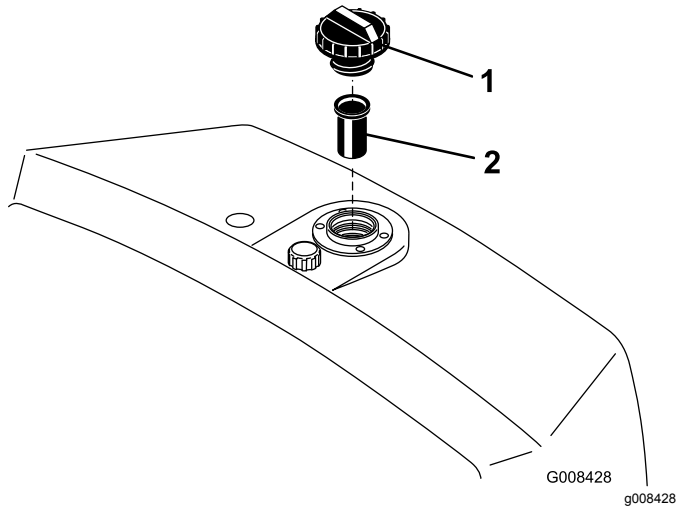


Figure 48

1. Hydraulic reservoir
2. Screen

3. If the fluid level is low, slowly fill the reservoir with the appropriate hydraulic fluid until the level reaches the bottom of the screen. **Do not overfill.**

Important: To prevent system contamination, clean the top of the hydraulic fluid containers before puncturing. Ensure the pour spout and funnel are clean.

4. Install the reservoir cap. Wipe up any fluid that may have spilled.

Important: Check level of hydraulic fluid before engine is first started and daily thereafter.

Changing the Hydraulic Fluid and Filter

Service Interval: After the first 50 hours

Every 800 hours

Hydraulic Fluid Capacity: 25.7 L (6.8 US gallons)

If the fluid becomes contaminated, have your authorized Toro distributor flush the system. Contaminated fluid looks milky or black when compared to clean fluid.

1. Clean the area around the filter mounting area (Figure 49). Place a drain pan under the filter and remove the filter.

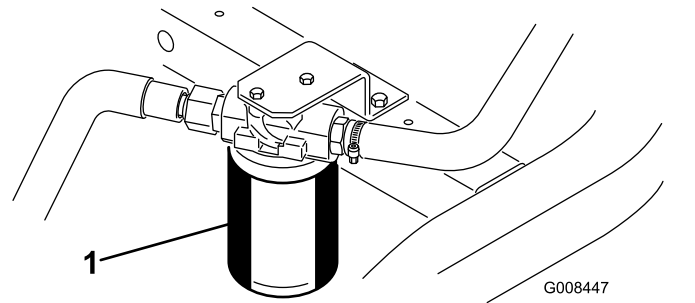


Figure 49

1. Hydraulic-fluid filter

Note: If you will not be draining the fluid, disconnect and plug the hydraulic line going to the filter.

2. Fill the replacement filter with the appropriate hydraulic fluid, lubricate the sealing gasket, and hand turn it until the gasket contacts the filter head. Then tighten it 3/4 turn further.
3. Fill the hydraulic reservoir with hydraulic fluid; refer to [Hydraulic Fluid Specifications \(page 44\)](#) and [Checking the Hydraulic-Fluid Level \(page 45\)](#).
4. Start the machine and run it at idle for 3 to 5 minutes to circulate the fluid and remove any air trapped in the system. Shut off the engine and check the fluid level.
5. Dispose of the fluid and filter properly.

Checking the Hydraulic Lines and Hoses

Check the hydraulic lines and hoses daily for leaks, kinked lines, loose mounting supports, wear, loose fittings, weather deterioration, and chemical deterioration. Make all necessary repairs before operating.

Cutting Unit Maintenance

Blade Safety

Refer to and complete the procedure in [Maintenance Safety \(page 30\)](#).

A worn or damaged blade or bedknife can break, and a piece could be thrown toward you or bystanders, resulting in serious personal injury or death.

- Inspect the blades and bedknives periodically for excessive wear or damage.
- Use care when checking the blades. Wear gloves and use caution when servicing them. Only replace or backlap the blades and bedknives; never straighten or weld them.
- On machines with multiple cutting units, take care when rotating a reel; it can cause the reels in the other cutting units to rotate.

Checking the Reel-to-Bedknife Contact

Each day before operating the machine, check the reel-to-bedknife contact, regardless if the quality of cut had previously been acceptable. There must be light contact across the full length of the reel and bedknife; refer to the *Cutting Unit Operator's Manual*.

Setting the Reel Speed

To achieve a consistent, high-quality cut and a uniform after-cut appearance, you must correctly set the reel speed control (located on the manifold block under the cover to the left of the seat). Adjust the reel speed control as follows:

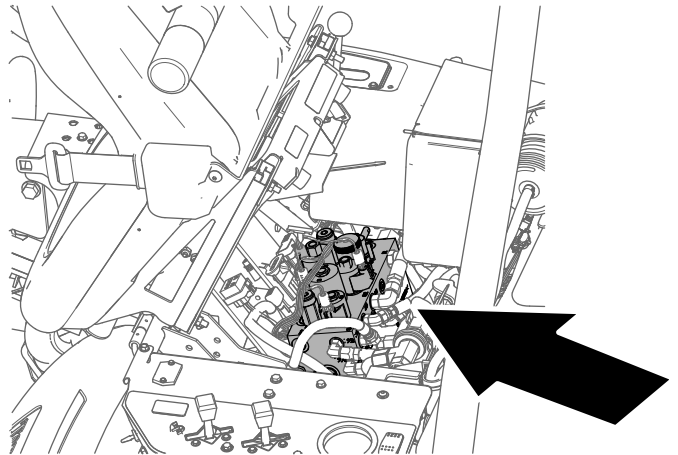
1. Decide the height of cut at which the cutting units are set.
2. Decide the desired ground speed best suited for conditions.
3. Use table that follows to determine the reel-speed setting for your 5-, 8-, 11-, or 14-blade cutting units ([Figure 50](#)).

	5		8		11		14
	3.8 MPH 6.1 Km/h	5.0 MPH 8.0 Km/h	3.8 MPH 6.1 Km/h	5.0 MPH 8.0 Km/h	3.8 MPH 6.1 Km/h	5.0 MPH 8.0 Km/h	3.8 MPH 6.1 Km/h
0.062" / 1.6mm	N/R	N/R	9	N/R	9	N/R	9
0.094" / 2.4mm	N/R	N/R	9	N/R	9	N/R	9
0.125" / 3.2mm	N/R	N/R	9	N/R	9	N/R	9
0.156" / 4.0mm	N/R	N/R	9	N/R	9	N/R	N/R
0.188" / 4.8mm	N/R	N/R	9	N/R	7	N/R	N/R
0.218" / 5.5mm	N/R	N/R	9	N/R	6	N/R	N/R
0.250" / 6.4mm	7	N/R	6	7	5	7	N/R
0.312" / 7.9mm	6	N/R	5	6	4	6	N/R
0.375" / 9.5mm	6	7	4	5	4	5	N/R
0.438" / 11.1mm	6	6	4	5	3	4	N/R
0.500" / 12.7mm	5	6	3	4	N/R	N/R	N/R
0.625" / 15.9mm	4	5	3	3	N/R	N/R	N/R
0.750" / 19.0mm	3	4	3	3	N/R	N/R	N/R
0.875" / 22.2mm	3	4	N/R	3	N/R	N/R	N/R
1.000" / 25.4mm	3	3	N/R	N/R	N/R	N/R	N/R

g014736
g014736

Figure 50

4. Tilt the operator's seat forward and support it with the prop rod ([Figure 51](#)).



g229847

Figure 51

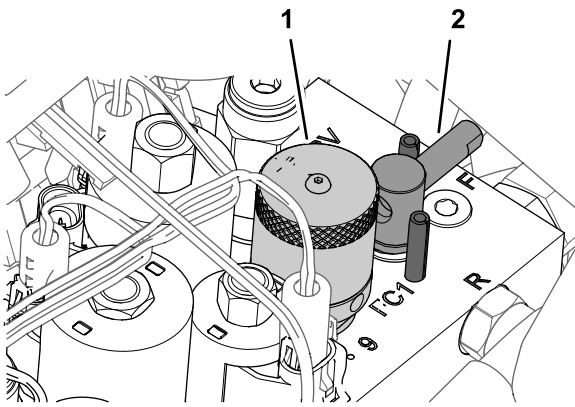
5. To adjust the reel speed by rotating the knob of the reel-speed control ([Figure 52](#)) until the indicator arrow are in line with the number that you determined in step 3.

Backlapping the Reels

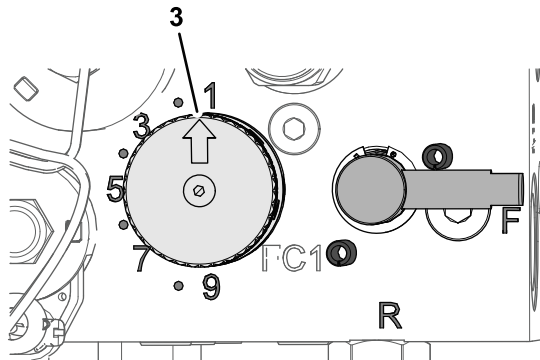
⚠ WARNING

Contact with the reels or other moving parts can result in personal injury.

- Keep your hands and clothing away from the reels or other moving parts.
- Never attempt to turn the reels by hand or foot while the engine is running.



g229849

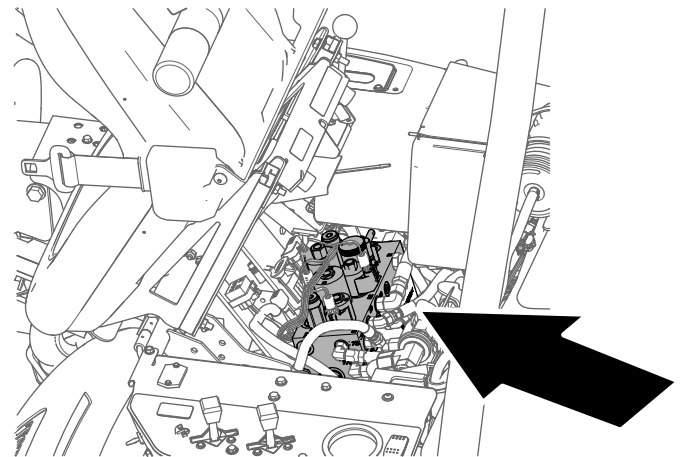


g229880

Figure 52

1. Knob (reel-speed control)
2. Handle (backlap lever)
3. Indicator arrow

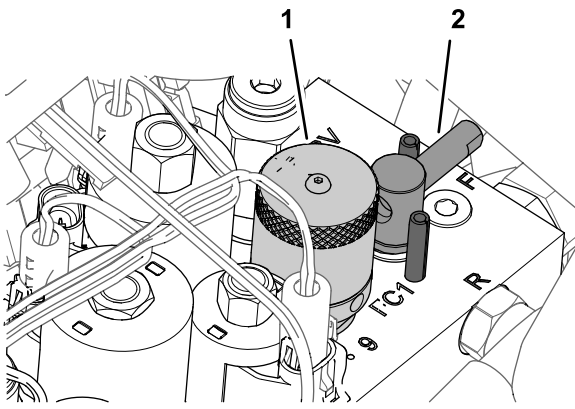
Note: You can increase or decrease the reel speed to compensate for turf conditions.



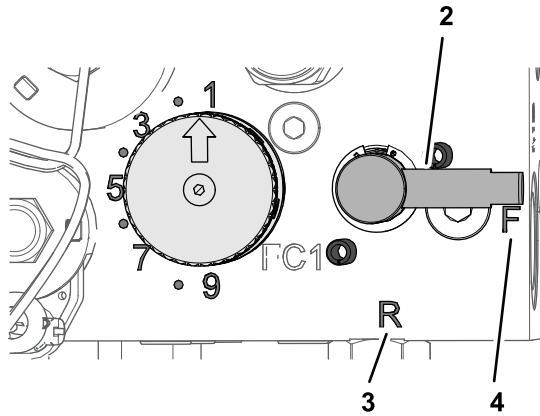
g229847

Figure 53

3. Make initial reel to bedknife adjustments appropriate for honing all the cutting units that you are backlapping; refer to the *Cutting Unit Operator's Manual*.
4. Rotate the backlap lever to the R position (Figure 54).



g229849



g229848

Figure 54

- | | |
|------------------------------|---------------|
| 1. Knob (reel-speed control) | 3. R position |
| 2. Handle (backlap lever) | 4. F position |

5. Rotate the reel-speed knob to setting 1 (Figure 54).
6. Start the engine and run at low idle speed.

Important: Do not change the engine speed while backlapping or the reels may stall. Only backlap at idle engine speed.

7. With the mow/transport lever in the NEUTRAL position, move the raise/lower mow control forward to start the backlapping operation on the reel.
8. Apply lapping compound with a long-handled brush. Never use a short-handled brush.
 - If the reels stall or become erratic while backlapping, select a higher reel speed setting until the speed stabilizes, then return the reel speed to setting 1 or to your desired speed.
 - To make an adjustment to the cutting units while backlapping, turn the reels off by moving the raise/lower mow control rearward and shut off the engine. After completing adjustments, repeat steps 4 through 8.
9. Repeat the steps 4 through 8 for all cutting units that you want to backlap.

10. When finished, return the backlap lever to the F position, move the reel speed knob to the desired reel-speed setting, lower the seat, and wash all lapping compound off of the cutting units. Adjust cutting unit reel to bedknife as needed.

Important: If you do not return the backlap lever to the F position after backlapping, the cutting units will not raise or function properly.

Storage

If you wish to store the machine for a long period of time, perform the following steps prior to storage:

1. Remove accumulations of dirt and old grass clippings. Sharpen the reels and bedknives, if necessary; refer to the cutting unit *Operator's Manual*. Use a rust preventive on bedknives and reel blades. Grease and oil all lubrication points; refer to [Greasing the Machine \(page 33\)](#).
2. Block up the wheels to remove any weight on the tires.
3. Drain and replace the hydraulic fluid and filter and inspect the hydraulic lines and fittings. Replace, if necessary; refer to [Checking the Hydraulic Lines and Hoses \(page 45\)](#) and [Checking the Hydraulic Lines and Hoses \(page 45\)](#).
4. Remove all fuel from the fuel tank. Run the engine until it shuts off from lack of fuel. Replace the fuel filter; refer to [Replacing the Fuel Filter \(page 37\)](#).
5. While the engine is still warm, drain the oil from the crankcase. Refill it with fresh oil; refer to [Changing the Engine Oil and Filter \(page 35\)](#).
6. Clean dirt and chaff from the cylinder, cylinder head fins, and blower housing.
7. Remove the battery and charge it fully. Either store it on the shelf or on the machine. Leave the cables disconnected if it is stored on the machine. Store the battery in a cool location to prevent the battery from discharging quickly..
8. Store the machine in a warm, dry location.

European Privacy Notice

The Information Toro Collects

Toro Warranty Company (Toro) respects your privacy. In order to process your warranty claim and contact you in the event of a product recall, we ask you to share certain personal information with us, either directly or through your local Toro company or dealer.

The Toro warranty system is hosted on servers located within the United States where privacy law may not provide the same protection as applies in your country.

BY SHARING YOUR PERSONAL INFORMATION WITH US, YOU ARE CONSENTING TO THE PROCESSING OF YOUR PERSONAL INFORMATION AS DESCRIBED IN THIS PRIVACY NOTICE.

The Way Toro Uses Information

Toro may use your personal information to process warranty claims, to contact you in the event of a product recall and for any other purpose which we tell you about. Toro may share your information with Toro's affiliates, dealers or other business partners in connection with any of these activities. We will not sell your personal information to any other company. We reserve the right to disclose personal information in order to comply with applicable laws and with requests by the appropriate authorities, to operate our systems properly or for our own protection or that of other users.

Retention of your Personal Information

We will keep your personal information as long as we need it for the purposes for which it was originally collected or for other legitimate purposes (such as regulatory compliance), or as required by applicable law.

Toro's Commitment to Security of Your Personal Information

We take reasonable precautions in order to protect the security of your personal information. We also take steps to maintain the accuracy and current status of personal information.

Access and Correction of your Personal Information

If you would like to review or correct your personal information, please contact us by email at legal@toro.com.

Australian Consumer Law

Australian customers will find details relating to the Australian Consumer Law either inside the box or at your local Toro Dealer.

California Proposition 65 Warning Information

What is this warning?

You may see a product for sale that has a warning label like the following:



WARNING: Cancer and Reproductive Harm—www.p65Warnings.ca.gov.

What is Prop 65?

Prop 65 applies to any company operating in California, selling products in California, or manufacturing products that may be sold in or brought into California. It mandates that the Governor of California maintain and publish a list of chemicals known to cause cancer, birth defects, and/or other reproductive harm. The list, which is updated annually, includes hundreds of chemicals found in many everyday items. The purpose of Prop 65 is to inform the public about exposure to these chemicals.

Prop 65 does not ban the sale of products containing these chemicals but instead requires warnings on any product, product packaging, or literature with the product. Moreover, a Prop 65 warning does not mean that a product is in violation of any product safety standards or requirements. In fact, the California government has clarified that a Prop 65 warning "is not the same as a regulatory decision that a product is 'safe' or 'unsafe.'" Many of these chemicals have been used in everyday products for years without documented harm. For more information, go to <https://oag.ca.gov/prop65/faqs-view-all>.

A Prop 65 warning means that a company has either (1) evaluated the exposure and has concluded that it exceeds the "no significant risk level"; or (2) has chosen to provide a warning based on its understanding about the presence of a listed chemical without attempting to evaluate the exposure.

Does this law apply everywhere?

Prop 65 warnings are required under California law only. These warnings are seen throughout California in a wide range of settings, including but not limited to restaurants, grocery stores, hotels, schools, and hospitals, and on a wide variety of products. Additionally, some online and mail order retailers provide Prop 65 warnings on their websites or in catalogs.

How do the California warnings compare to federal limits?

Prop 65 standards are often more stringent than federal and international standards. There are various substances that require a Prop 65 warning at levels that are far lower than federal action limits. For example, the Prop 65 standard for warnings for lead is 0.5 µg/day, which is well below the federal and international standards.

Why don't all similar products carry the warning?

- Products sold in California require Prop 65 labelling while similar products sold elsewhere do not.
- A company involved in a Prop 65 lawsuit reaching a settlement may be required to use Prop 65 warnings for its products, but other companies making similar products may have no such requirement.
- The enforcement of Prop 65 is inconsistent.
- Companies may elect not to provide warnings because they conclude that they are not required to do so under Prop 65; a lack of warnings for a product does not mean that the product is free of listed chemicals at similar levels.

Why does Toro include this warning?

Toro has chosen to provide consumers with as much information as possible so that they can make informed decisions about the products they buy and use. Toro provides warnings in certain cases based on its knowledge of the presence of one or more listed chemicals without evaluating the level of exposure, as not all the listed chemicals provide exposure limit requirements. While the exposure from Toro products may be negligible or well within the "no significant risk" range, out of an abundance of caution, Toro has elected to provide the Prop 65 warnings. Moreover, if Toro does not provide these warnings, it could be sued by the State of California or by private parties seeking to enforce Prop 65 and subject to substantial penalties.



The Toro Warranty

A Two-Year Limited Warranty

Conditions and Products Covered

The Toro Company and its affiliate, Toro Warranty Company, pursuant to an agreement between them, jointly warrant your Toro Commercial product ("Product") to be free from defects in materials or workmanship for two years or 1500 operational hours*, whichever occurs first. This warranty is applicable to all products with the exception of Aerators (refer to separate warranty statements for these products). Where a warrantable condition exists, we will repair the Product at no cost to you including diagnostics, labor, parts, and transportation. This warranty begins on the date the Product is delivered to the original retail purchaser.

* Product equipped with an hour meter.

Instructions for Obtaining Warranty Service

You are responsible for notifying the Commercial Products Distributor or Authorized Commercial Products Dealer from whom you purchased the Product as soon as you believe a warrantable condition exists. If you need help locating a Commercial Products Distributor or Authorized Dealer, or if you have questions regarding your warranty rights or responsibilities, you may contact us at:

Toro Commercial Products Service Department
Toro Warranty Company
8111 Lyndale Avenue South
Bloomington, MN 55420-1196
952-888-8801 or 800-952-2740
E-mail: commercial.warranty@toro.com

Owner Responsibilities

As the Product owner, you are responsible for required maintenance and adjustments stated in your *Operator's Manual*. Failure to perform required maintenance and adjustments can be grounds for disallowing a warranty claim.

Items and Conditions Not Covered

Not all product failures or malfunctions that occur during the warranty period are defects in materials or workmanship. This warranty does not cover the following:

- Product failures which result from the use of non-Toro replacement parts, or from installation and use of add-on, or modified non-Toro branded accessories and products. A separate warranty may be provided by the manufacturer of these items.
- Product failures which result from failure to perform recommended maintenance and/or adjustments. Failure to properly maintain your Toro product per the Recommended Maintenance listed in the *Operator's Manual* can result in claims for warranty being denied.
- Product failures which result from operating the Product in an abusive, negligent, or reckless manner.
- Parts subject to consumption through use unless found to be defective. Examples of parts which are consumed, or used up, during normal Product operation include, but are not limited to, brake pads and linings, clutch linings, blades, reels, rollers and bearings (sealed or greasable), bed knives, spark plugs, castor wheels and bearings, tires, filters, belts, and certain sprayer components such as diaphragms, nozzles, and check valves, etc.
- Failures caused by outside influence. Conditions considered to be outside influence include, but are not limited to, weather, storage practices, contamination, use of unapproved fuels, coolants, lubricants, additives, fertilizers, water, or chemicals, etc.
- Failure or performance issues due to the use of fuels (e.g. gasoline, diesel, or biodiesel) that do not conform to their respective industry standards.

Countries Other than the United States or Canada

Customers who have purchased Toro products exported from the United States or Canada should contact their Toro Distributor (Dealer) to obtain guarantee policies for your country, province, or state. If for any reason you are dissatisfied with your Distributor's service or have difficulty obtaining guarantee information, contact the Toro importer.

- Normal noise, vibration, wear and tear, and deterioration.
- Normal "wear and tear" includes, but is not limited to, damage to seats due to wear or abrasion, worn painted surfaces, scratched decals or windows, etc.

Parts

Parts scheduled for replacement as required maintenance are warranted for the period of time up to the scheduled replacement time for that part. Parts replaced under this warranty are covered for the duration of the original product warranty and become the property of Toro. Toro will make the final decision whether to repair any existing part or assembly or replace it. Toro may use remanufactured parts for warranty repairs.

Deep Cycle and Lithium-Ion Battery Warranty:

Deep cycle and Lithium-Ion batteries have a specified total number of kilowatt-hours they can deliver during their lifetime. Operating, recharging, and maintenance techniques can extend or reduce total battery life. As the batteries in this product are consumed, the amount of useful work between charging intervals will slowly decrease until the battery is completely worn out. Replacement of worn out batteries, due to normal consumption, is the responsibility of the product owner. Battery replacement may be required during the normal product warranty period at owner's expense. Note: (Lithium-Ion battery only): A Lithium-Ion battery has a part only prorated warranty beginning year 3 through year 5 based on the time in service and kilowatt hours used. Refer to the *Operator's Manual* for additional information.

Maintenance is at Owner's Expense

Engine tune-up, lubrication, cleaning and polishing, replacement of filters, coolant, and completing recommended maintenance are some of the normal services Toro products require that are at the owner's expense.

General Conditions

Repair by an Authorized Toro Distributor or Dealer is your sole remedy under this warranty.

Neither The Toro Company nor Toro Warranty Company is liable for indirect, incidental or consequential damages in connection with the use of the Toro Products covered by this warranty, including any cost or expense of providing substitute equipment or service during reasonable periods of malfunction or non-use pending completion of repairs under this warranty. Except for the Emissions warranty referenced below, if applicable, there is no other express warranty. All implied warranties of merchantability and fitness for use are limited to the duration of this express warranty.

Some states do not allow exclusions of incidental or consequential damages, or limitations on how long an implied warranty lasts, so the above exclusions and limitations may not apply to you. This warranty gives you specific legal rights, and you may also have other rights which vary from state to state.

Note regarding engine warranty:

The Emissions Control System on your Product may be covered by a separate warranty meeting requirements established by the U.S. Environmental Protection Agency (EPA) and/or the California Air Resources Board (CARB). The hour limitations set forth above do not apply to the Emissions Control System Warranty. Refer to the Engine Emission Control Warranty Statement supplied with your product or contained in the engine manufacturer's documentation for details.