



**Count on it.**

**Parts Catalog**

**18in Straight-Shaft Gas Trimmer**

Model No. 51978—Serial No. 318000001 and Up



# Ordering Replacement Parts

To order replacement parts, please supply the part number, the quantity, and the description of each part desired.

## Understanding Reference Numbers

Each identified part in an illustration has a reference number. The reference number for a part also appears in the parts list, along with other information about the part.

This catalog uses two special reference number formats, one to indicate parts in a service assembly and another to indicate the quantity of a given part in an illustration.

## Service Assembly Reference Numbers

Parts in service assemblies have reference numbers in the form a:b. The a represents the reference number of the entire service assembly and the b represents a sequential number unique to each part within the service assembly.

For example, a wheel assembly might be identified by reference number 6, the tire by 6:1, the valve by 6:2, and the wheel by 6:3. When you order the assembly identified by reference number 6, you receive all parts identified by reference numbers 6:1, 6:2, and 6:3. However, you may also order any part individually. Reference numbers of this type appear in illustration and in parts lists.

## Reference Numbers Indicating Quantity

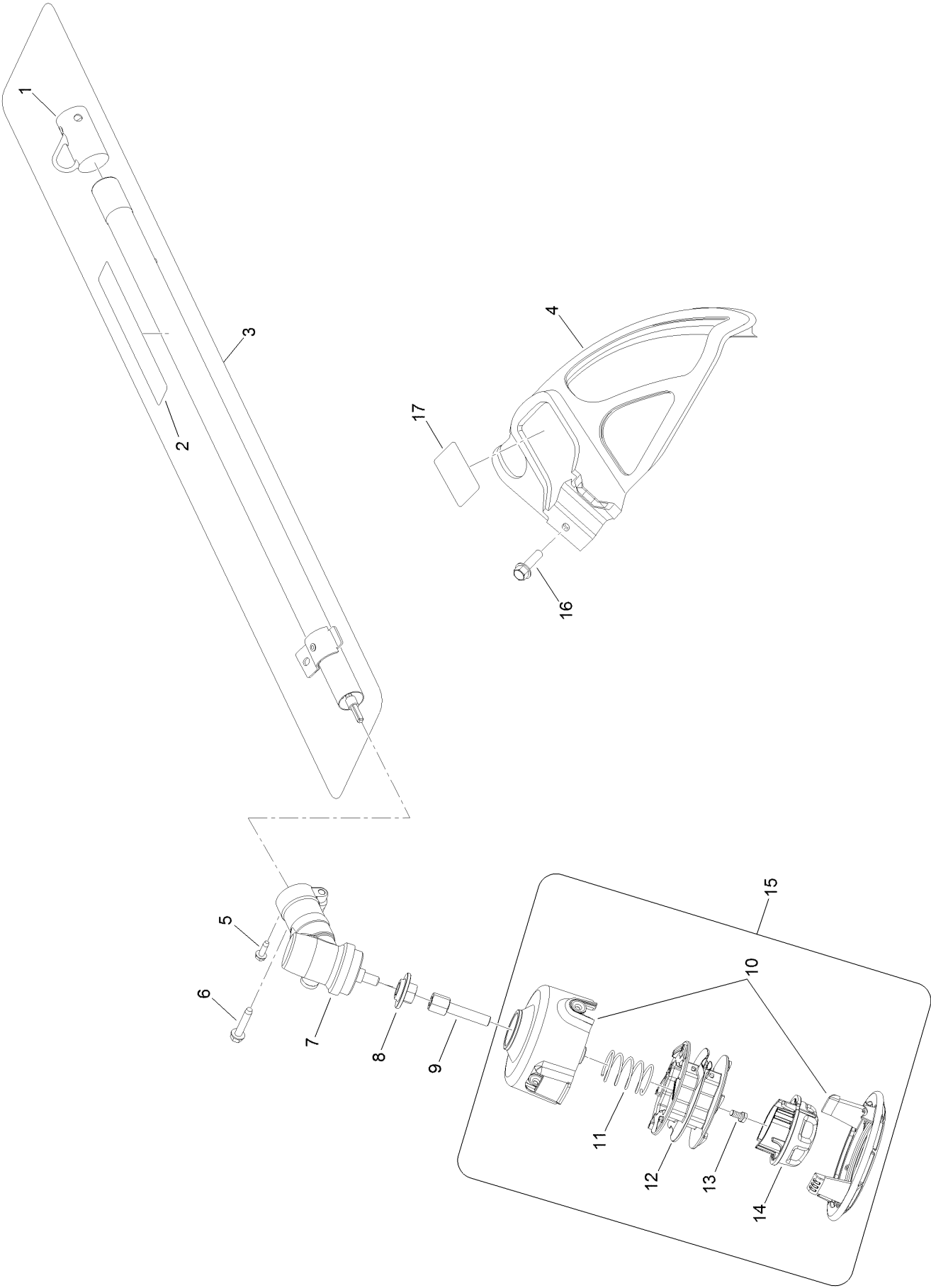
In an illustration, if a reference number indicates more than one part, the reference number has the form nX y. The n represents the quantity of the part, the X is the multiplication symbol, and the y represents the reference number.

For example, in an illustration, the reference number 2X 37 means that two of the parts identified by reference number 37 are indicated.

# Contents

- Trimmer Head, Shaft and Guard Assembly ..... 4
- Upper Shaft, Handle and Power Head Assembly ..... 6
- Power Head Components Assembly ..... 8
- Attachments and Accessories ..... 10

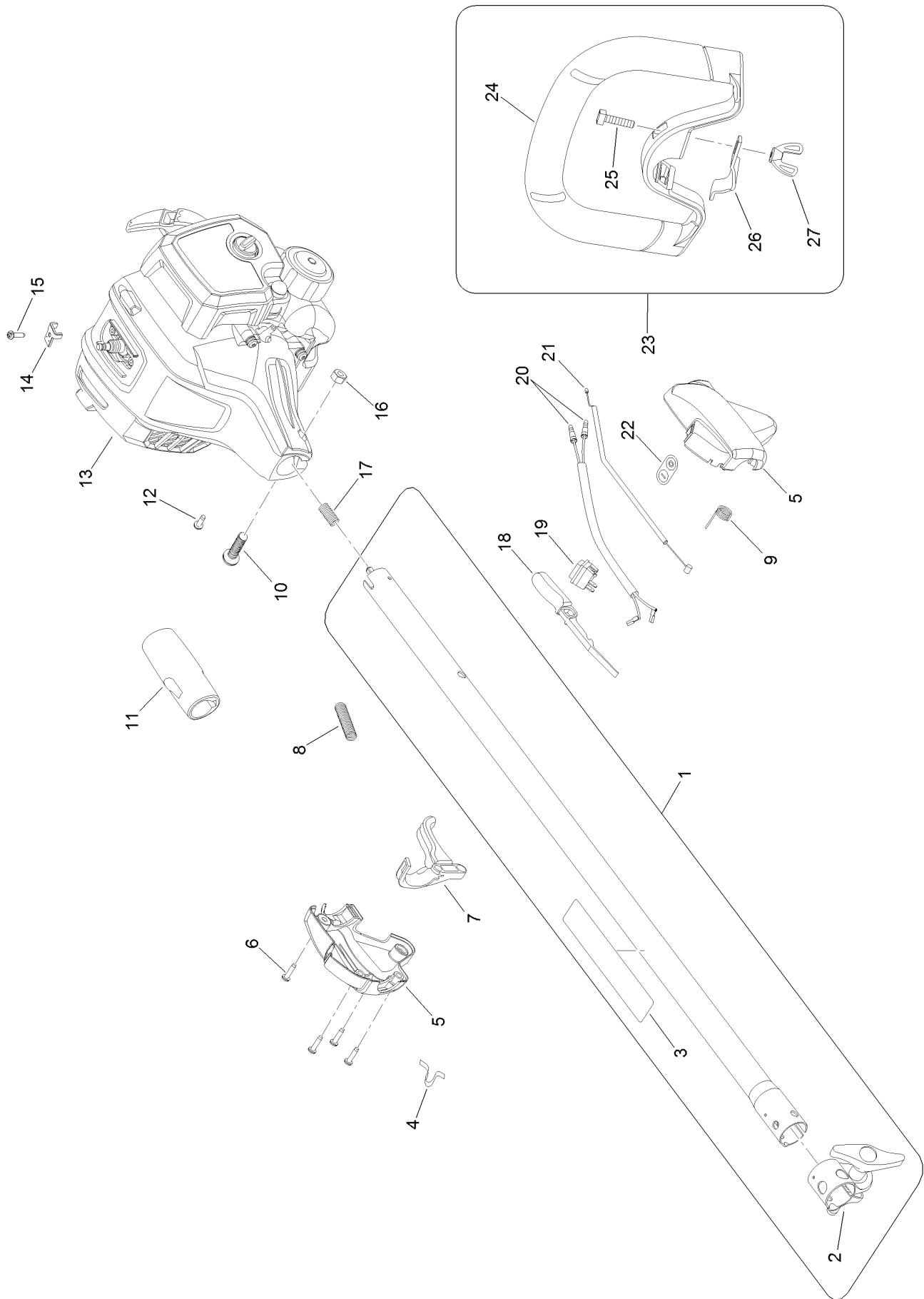
# Trimmer Head, Shaft and Guard Assembly



## Trimmer Head, Shaft and Guard Assembly (continued)

<i>Ref.</i>	<i>Part Number</i>	<i>Qty.</i>	<i>Description</i>	<i>Ref.</i>	<i>Part Number</i>	<i>Qty.</i>	<i>Description</i>
1	518019002	1	Cap-Hanger	10	518800005	1	Housing-Spool, Straight Shaft
2	940657165	1	Decal-Warning	11	678749001	1	Spring-Compression
3	308035059	1	Shaft ASM	12	308924002	1	Spool
4	308473004	1	Grass Deflector ASM	13	660649001	1	Bolt
5	660736001	1	Screw-HWH	14	518803003	1	Knob-Bump
6	660642001	1	Screw	15	308923015	1	Trimmer Head ASM
7	308210008	1	Head-Gear	16	660738002	1	Screw-HWH
8	678011001	1	Washer-Flange	17	940865002	1	Decal-Grass Deflector
9	678019004	1	Adaptor-Head Shaft, Trimmer				

# Upper Shaft, Handle and Power Head Assembly

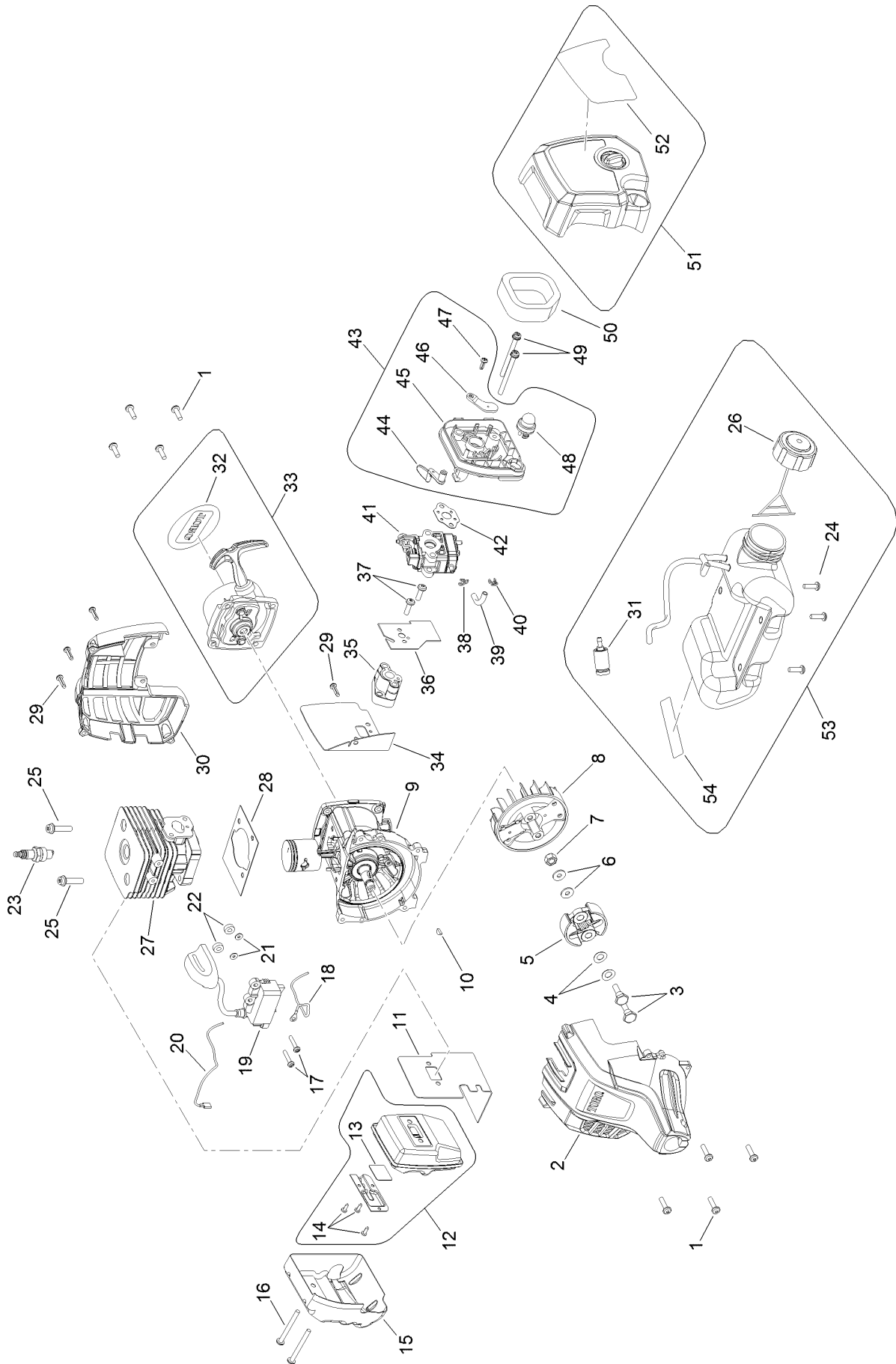


# Upper Shaft, Handle and Power Head Assembly (continued)

<i>Ref.</i>	<i>Part Number</i>	<i>Qty.</i>	<i>Description</i>	<i>Ref.</i>	<i>Part Number</i>	<i>Qty.</i>	<i>Description</i>
1	308159025	1	Upper Shaft ASM	14	638133001	1	Clamp-Cable, Throttle
2	308045014	1	Shaft Clamp ASM	15	660734001	1	Screw
3	940657164	1	Decal-Warning	16	678029002	1	Nut-Hex
4	638431001	1	Clip-Strap, Shoulder	17	690140011	1	Spring-Compression
5	308869003	1	Control Handle ASM	18	518695017	1	Lock-Trigger
6	660563002	4	Screw	19	760961005	1	Switch-On/Off
7	518696017	1	Trigger	20	308863029	1	Lead
8	518210004	1	Tube-Corrugated	21	308225011	1	Cable-Throttle
9	690694002	1	Spring-Trigger	22	940864003	1	Label-On/Stop
10	T660697001	1	Screw	23	308056009	1	Handle ASM
11	570234016	1	Grip-Shaft, Upper	24	526760001	1	Handle-Shaft, Upper
12	660925011	1	Screw	25	660857001	1	Screw
13		1	Power Head ASM Not Serviced Separately, For Replacement Purchase Power Head Model No. 51948 ●	26	639167001	1	Clamp-Handle, Upper Shaft
				27	518949001	1	Nut-Wing

● Not serviced separately

# Power Head Components Assembly





## Power Head Components Assembly (continued)

<i>Ref.</i>	<i>Part Number</i>	<i>Qty.</i>	<i>Description</i>	<i>Ref.</i>	<i>Part Number</i>	<i>Qty.</i>	<i>Description</i>
1	660344001	8	Screw-PH	29	660466001	4	Screw
2	300754031	1	Housing-Engine, Front	30	591644001	1	Housing-Engine, Rear
3	660353001	2	Screw-Clutch	31	310976001	4	Filter-Fuel
4	690696001	2	Washer-Curved	32	940865001	1	Plate-Logo
5	307091001	1	Clutch ASM	33	308430016	1	Recoil Starter And Starter Cup ASM
6	690695001	2	Washer	34	900711014	1	Insulator-Gasket
7	690689001	1	Nut-Rotor	35	518329001	1	Insulator-Dam, Heat
8	640574002	1	Rotor	36	901697001	1	Gasket
9	300749010	1	Crankcase ASM	37	662210003	2	Screw And Washer
10	690688001	2	Key-Woodruff	38	690700001	1	Clip-Hose
11	630002032	2	Gasket-Muffler	39	570373002	1	Line-Fuel
12	300748021	1	Muffler ASM	40	690699001	1	Clip-Hose
13	638268001	1	Screen	41	308480001	1	Carburetor ASM
14	660870001	3	Screw-PH	42	900711003	1	Gasket-Carburetor
15	638027002	1	Shield-Heat	43	308478004	1	Filter Housing ASM
16	660347001	2	Screw-PH	44	590458001	1	Lever-Choke
17	660968001	2	Screw-With Washer	45	518130001	1	Plate-Carburetor
18	290143002	1	Wire-Lead, Red	46	590946001	1	Plate-Choke
19	290178024	1	Coil Boot ASM	47	660345001	1	Screw-PH
20	290143001	1	Wire-Lead, Black	48	300780002	1	Primer ASM
21	690969001	2	Washer	49	660346001	2	Screw-PH
22	590462001	2	Spacer	50	560873001	1	Element-Filter, Air
23	870170001	1	Spark Plug	51	308890002	1	Cover ASM
24	660354001	3	Screw	52	940686148	1	Decal-Start
25	660342001	2	Screw-Socket Head	53	308675063	1	Fuel Tank And Cap ASM
26	310816020	1	Cap-Fuel	54	940654088	1	Label-Combustion
27	642368001	1	Cylinder				
28	900709007	1	Gasket				

# Attachments and Accessories

## For 51978 18in Straight-Shaft Gas Trimmer

Product Name	Model/Part
Spark Arrestor Kit .....	000998216
High Altitude Kit .....	120900107

**Notes:**



**Count on it.**