



**Count on it.**

**Parts Catalog**

**TRX-26 Trencher**

Model No. 22974—Serial No. 402000000 and Up



# Ordering Replacement Parts

To order replacement parts, please supply the part number, the quantity, and the description of each part desired.

## Understanding Reference Numbers

Each identified part in an illustration has a reference number. The reference number for a part also appears in the parts list, along with other information about the part.

This catalog uses two special reference number formats, one to indicate parts in a service assembly and another to indicate the quantity of a given part in an illustration.

## Service Assembly Reference Numbers

Parts in service assemblies have reference numbers in the form a:b. The a represents the reference number of the entire service assembly and the b represents a sequential number unique to each part within the service assembly.

For example, a wheel assembly might be identified by reference number 6, the tire by 6:1, the valve by 6:2, and the wheel by 6:3. When you order the assembly identified by reference number 6, you receive all parts identified by reference numbers 6:1, 6:2, and 6:3. However, you may also order any part individually. Reference numbers of this type appear in illustration and in parts lists.

## Reference Numbers Indicating Quantity

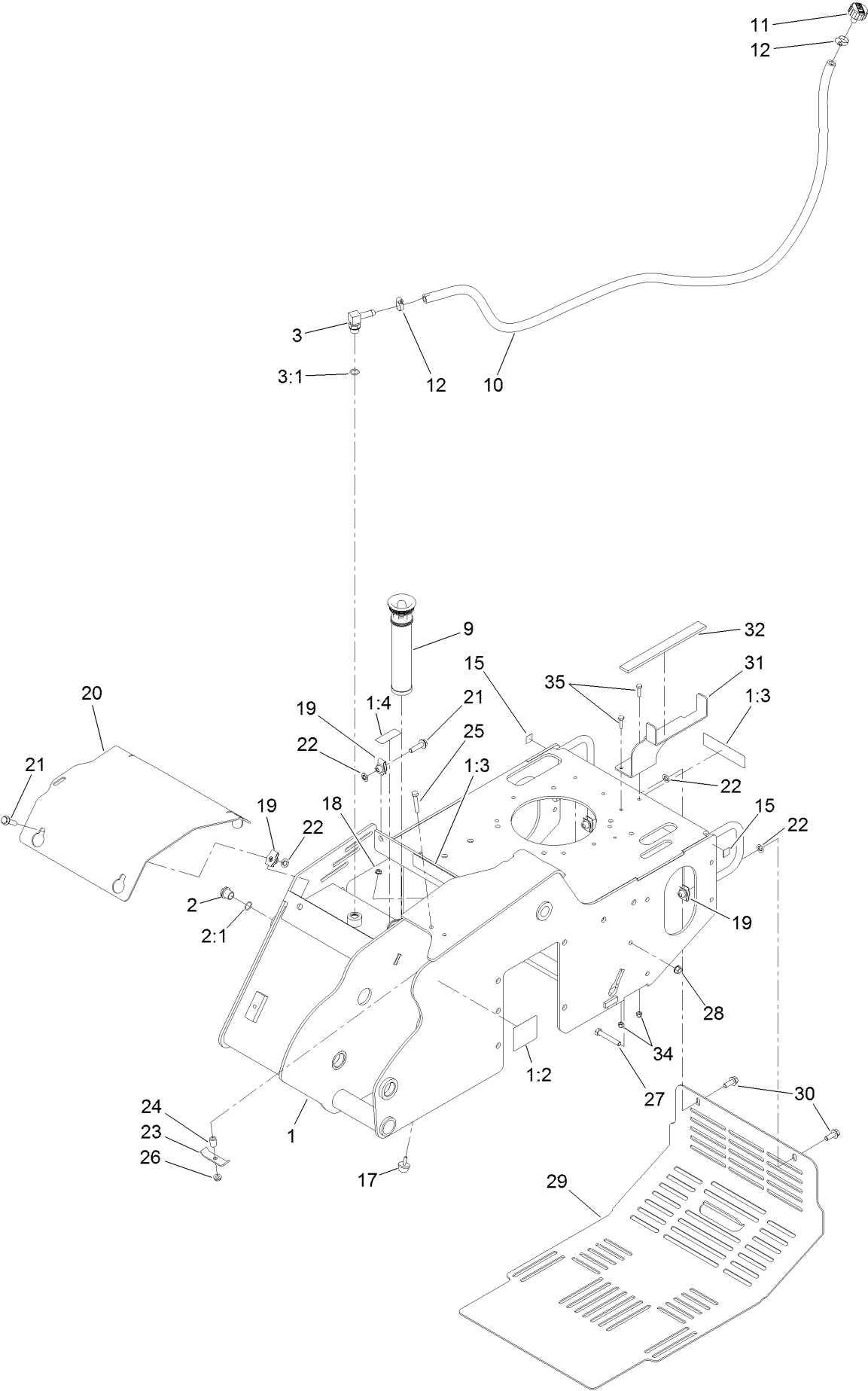
In an illustration, if a reference number indicates more than one part, the reference number has the form nX y. The n represents the quantity of the part, the X is the multiplication symbol, and the y represents the reference number.

For example, in an illustration, the reference number 2X 37 means that two of the parts identified by reference number 37 are indicated.

# Contents

Main Frame Assembly	4
Tower, Control Panel and Fuel Tank Assembly	6
Track Drive Assembly	8
Hydraulic Pump Assembly No. 117-6409	10
Hydraulic Pump Assembly No. 117-6410	12
Hydraulic Motor Assembly No. 104-8470	14
Parking Brake Assembly	16
Engine, Muffler and Fuel Line Assembly	18
Gear Pump and Mount Assembly	20
Gear Pump Assembly No. 117-6307	22
2-Spool Valve and Hydraulic Motor Assembly	24
2-Spool Valve Assembly No. 115-4062	26
Hydraulic Cylinder Assembly No. 121-1955	28
Hydraulic Motor Assembly No. 117-6306	30
Oil Cooler Assembly	32
Trencher Head and Auger Assembly	34
Traction Control Assembly	36
Battery and Wire Harness Assembly	38
Cylinder and Crankcase Assembly	40
Piston and Crankshaft Assembly	41
Valve and Camshaft Assembly	42
Lubrication Equipment Assembly	43
Cooling Equipment Assembly	44
Electric Equipment Assembly	45
Carburetor Assembly	46
Control Equipment Assembly	48
Air Filter and Muffler Assembly	49
Fuel Tank and Valve Assembly	50
Starter Assembly	51
Label Set	52
Attachments and Accessories	53

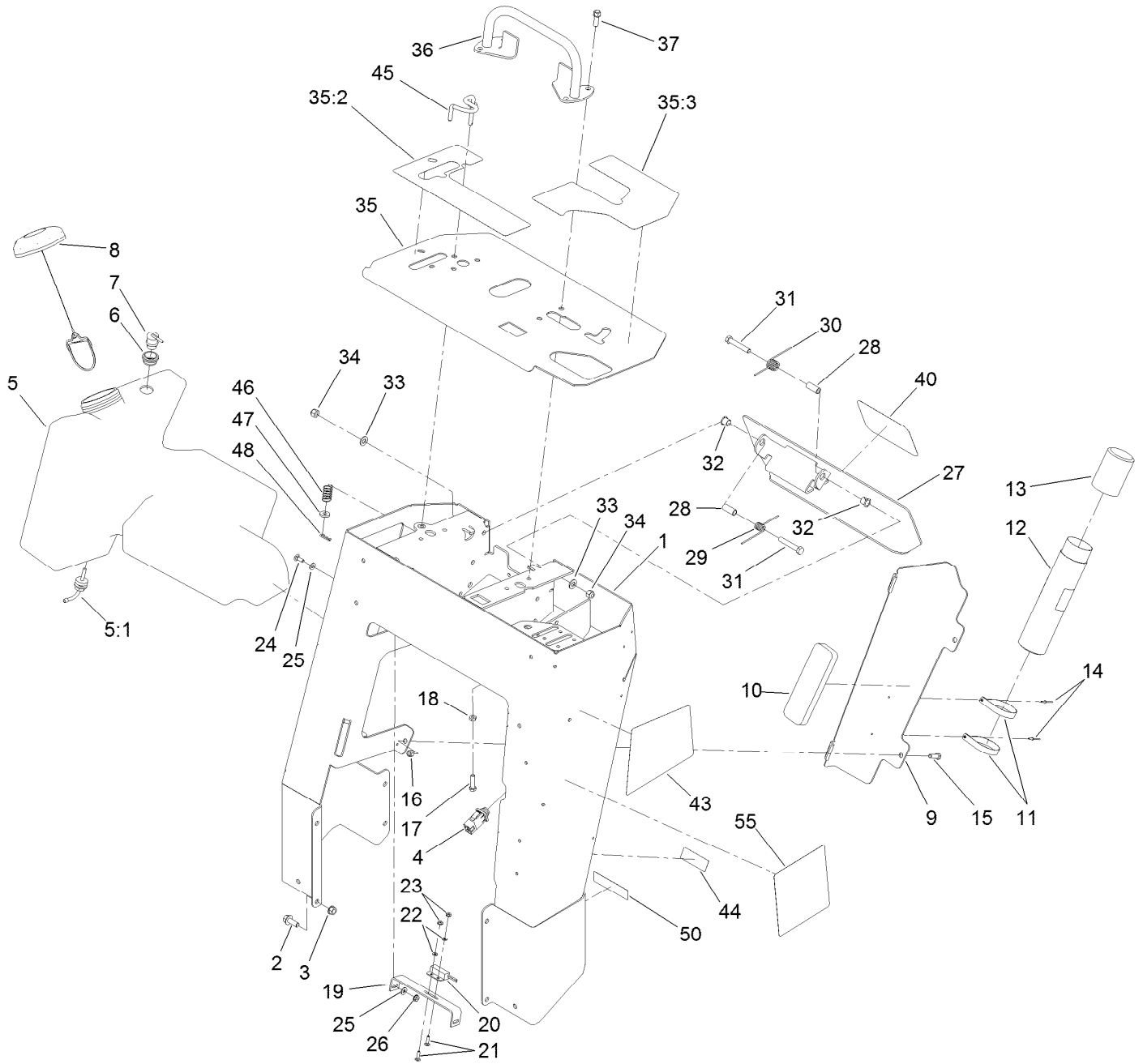
# Main Frame Assembly



## Main Frame Assembly (continued)

<i>Ref.</i>	<i>Part Number</i>	<i>Qty.</i>	<i>Description</i>	<i>Ref.</i>	<i>Part Number</i>	<i>Qty.</i>	<i>Description</i>
1	127-9602	1	Main Frame ASM	20	119-4566-03	1	Plate-Cover, Front
1:2	100-4650	1	Decal-Warning	21	3234-18	3	Screw-HHF
1:3	93-7814	2	Decal-Danger	22	107-3154	5	Nut-Push
1:4	93-6686	1	Decal-Oil, HYD	23	100-4860	1	Bracket-Clamp
2	114-3075	1	Sight Glass ASM	24	93-5023	1	Spacer
2:1	237-79	1	O-Ring	25	322-10	1	Screw-HH
3	354-120	1	Fitting-Elbow, 90	26	32128-20	1	Nut-HF
3:1	237-79	1	O-Ring	27	323-12	1	Screw-HH
9	114-3039	1	In-Tank Filter ASM	28	32128-40	2	Nut-Flange
10	114-3042	1	Hose-Breather	29	115-6503-01	1	Cover-Rear
11	68-6150	1	Breather	30	3234-11	2	Screw-HHF
12	2412-36	2	Clamp-Hose	31	117-6407-01	1	Bracket-Fuel Tank
15	93-9084	2	Decal-Point, Lift	32	117-6417	1	Pad-Foam
17	1-523420	1	Bumper	34	3296-42	2	Nut-Lock, NI
18	32128-33	1	Nut-HF	35	321-6	2	Screw-HH
19	105-4886	5	Nut-Tinnerman				

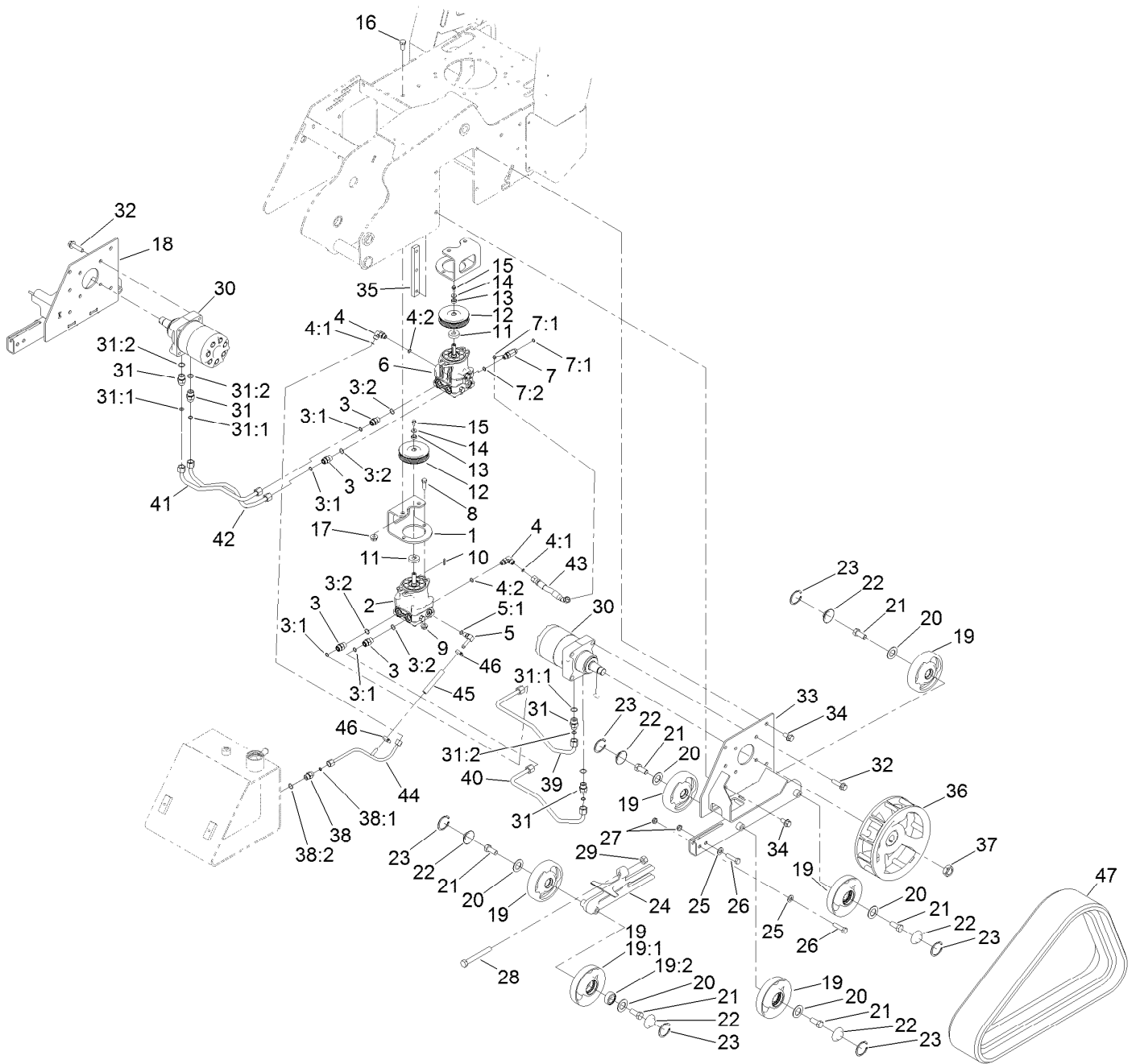
# Tower, Control Panel and Fuel Tank Assembly



## Tower, Control Panel and Fuel Tank Assembly (continued)

<i>Ref.</i>	<i>Part Number</i>	<i>Qty.</i>	<i>Description</i>	<i>Ref.</i>	<i>Part Number</i>	<i>Qty.</i>	<i>Description</i>
1	117-6419-01	1	Tower	25	3256-22	4	Washer-Flat
2	3234-11	8	Screw-HHF	26	32149-2	2	Nut-Keps
3	32128-40	8	Nut-Flange	27	114-3012-03	1	Plate-Reverse
4	100-1268	1	Switch-Plunger	28	114-1337	2	Spacer-Spring
5	120-7358	1	Tank-Fuel	29	98-8425	1	Spring-Torsion, LH
5:1	103-2605	1	Fitting-Fuel, Bulkhead	30	98-8424	1	Spring-Torsion, RH
6	114-0284	1	Grommet	31	323-11	2	Screw-HH
7	119-3547	1	Valve-Vent, Fuel	32	256-257	2	Bushing-Nyliner
8	137-4119	1	Cap-Fuel, Ratcheting	33	3256-24	2	Washer-Flat
9	114-3065-01	1	Bracket-Cover, Tank	34	3296-39	2	Nut-Lock, NI
10	107-7507	1	Pad-Foam	35	117-6389	1	Panel-Control
11	2412-120	2	Clamp-R	35:2	115-1231	1	Decal-Console, RH
12	104-7050	1	Tube-Manual	35:3	115-1230	1	Decal-Console, LH
13	104-7048	1	Cap-Housing	36	106-7715	1	Bar-Reference
14	3269-17	2	Rivet-Pop	37	95-1726	4	Screw-Taptite
15	322-5	2	Screw-HH	40	105-1217	1	Decal
16	3296-29	2	Nut-Lock, NI	43	117-6415	1	Decal-Side, LH
17	3210-7	1	Screw-HH	44	120-7533	1	Decal-Info
18	3220-2	1	Nut-Jam	45	114-8727	1	Rod-Interlock
19	100-1263	1	Plate-Switch	46	85-6750	1	Spring-Control
20	100-1270	1	Switch-Proximity	47	88-7200	1	Washer-Flat
21	3229-20	2	Screw-CARR	48	3290-307	1	Pin-Cotter
22	3256-51	2	Washer-Flat	50	133-5619	1	Decal-Arrester, Spark
23	32149-7	2	Nut-Keps	55	137-3874	1	Decal-Service
24	3229-1	2	Bolt-CARR				

# Track Drive Assembly

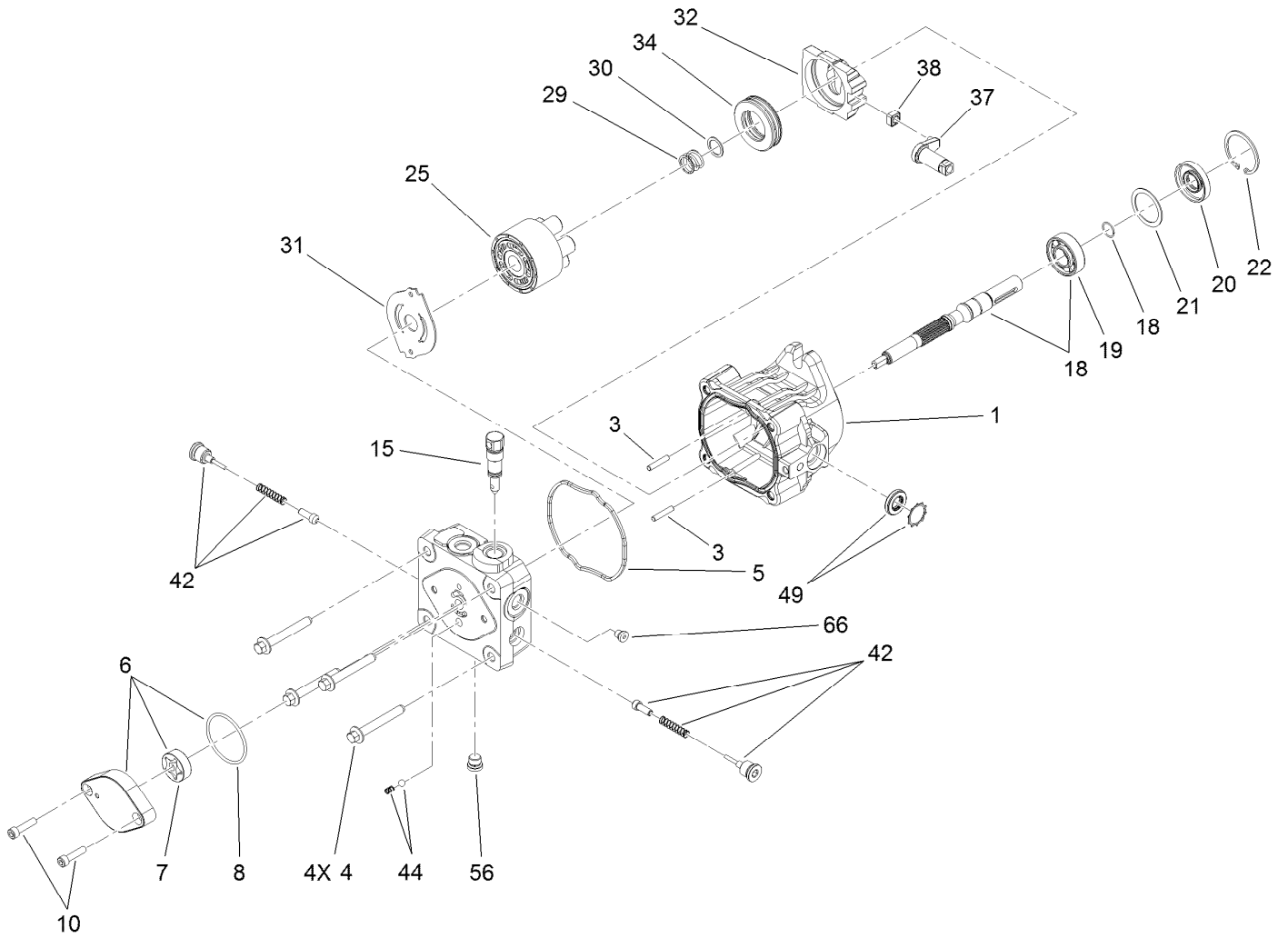




## Track Drive Assembly (continued)

<i>Ref.</i>	<i>Part Number</i>	<i>Qty.</i>	<i>Description</i>	<i>Ref.</i>	<i>Part Number</i>	<i>Qty.</i>	<i>Description</i>
1	115-1289-03	2	Bracket-Mount, Pump	22	106-7557	12	Cap-Wheel, Bearing
2	117-6409	1	RH HYD Pump ASM	23	106-7595	12	Ring-Snap, Internal
3	340-4	4	Fitting-STR	24	114-3077-03	2	Tensioner-Track
3:1	237-30	1	O-Ring	25	3256-26	4	Washer-Flat
3:2	237-79	1	O-Ring	26	325-8	4	Screw-HH
4	340-77	2	Fitting-Elbow, 90 DEG	27	3296-45	4	Nut-Hex
4:1	237-22	1	O-Ring	28	112-4874	2	Screw-HH, TAP
4:2	237-42	1	O-Ring	29	3217-11	2	Nut-Hex
5	100-4887	1	Fitting-Elbow, 90	30	104-8470	2	HYD Wheel Motor ASM
5:1	237-42	1	O-Ring	31	340-6	4	Fitting-Straight
6	117-6410	1	LH HYD Pump ASM	31:1	237-30	1	O-Ring
7	340-86	1	Fitting-Tee	31:2	237-80	1	O-Ring
7:1	237-22	2	O-Ring	32	3234-27	8	Screw-HHF
7:2	237-42	1	O-Ring	33	114-2992-03	1	Frame-Track, LH
8	324-5	4	Screw-HH	34	3234-6	10	Screw-HHF
9	32128-42	4	Nut-HF	35	114-3091	2	Bar-Thread
10	80-6090	2	Key-Pump	36	117-6426-03	2	Wheel-Drive
11	115-4002	2	Spacer	37	106-8159	2	Nut-Lock
12	115-1298	2	Sheave	38	340-3	1	Fitting-Straight
13	108-4211	2	Bushing	38:1	237-22	1	O-Ring
14	73-3580	2	Washer	38:2	237-79	1	O-Ring
15	33103-016	2	Screw-HHF	39	115-1285	1	Tube-HYD
16	325-4	4	Screw-HH	40	115-1286	1	Tube-HYD
17	32128-49	8	Nut-HHF	41	115-1287	1	Tube-HYD
18	114-2993-03	1	Frame-Track, RH	42	115-1288	1	Tube-HYD
19	112-4817	12	Wheel-Tensioner	43	115-1297	1	Hose-HYD
19:1	114-3014-03	1	Wheel-Track	44	117-1305	1	Tube-HYD
19:2	120-5378	1	Bearing-Ball	45	115-4083	1	Hose
20	106-7585	12	Gasket-Bogie	46	2412-36	2	Clamp-Hose
21	327-4	12	Screw-HH	47	112-4816	2	Track-Rubber

# Hydraulic Pump Assembly No. 117-6409

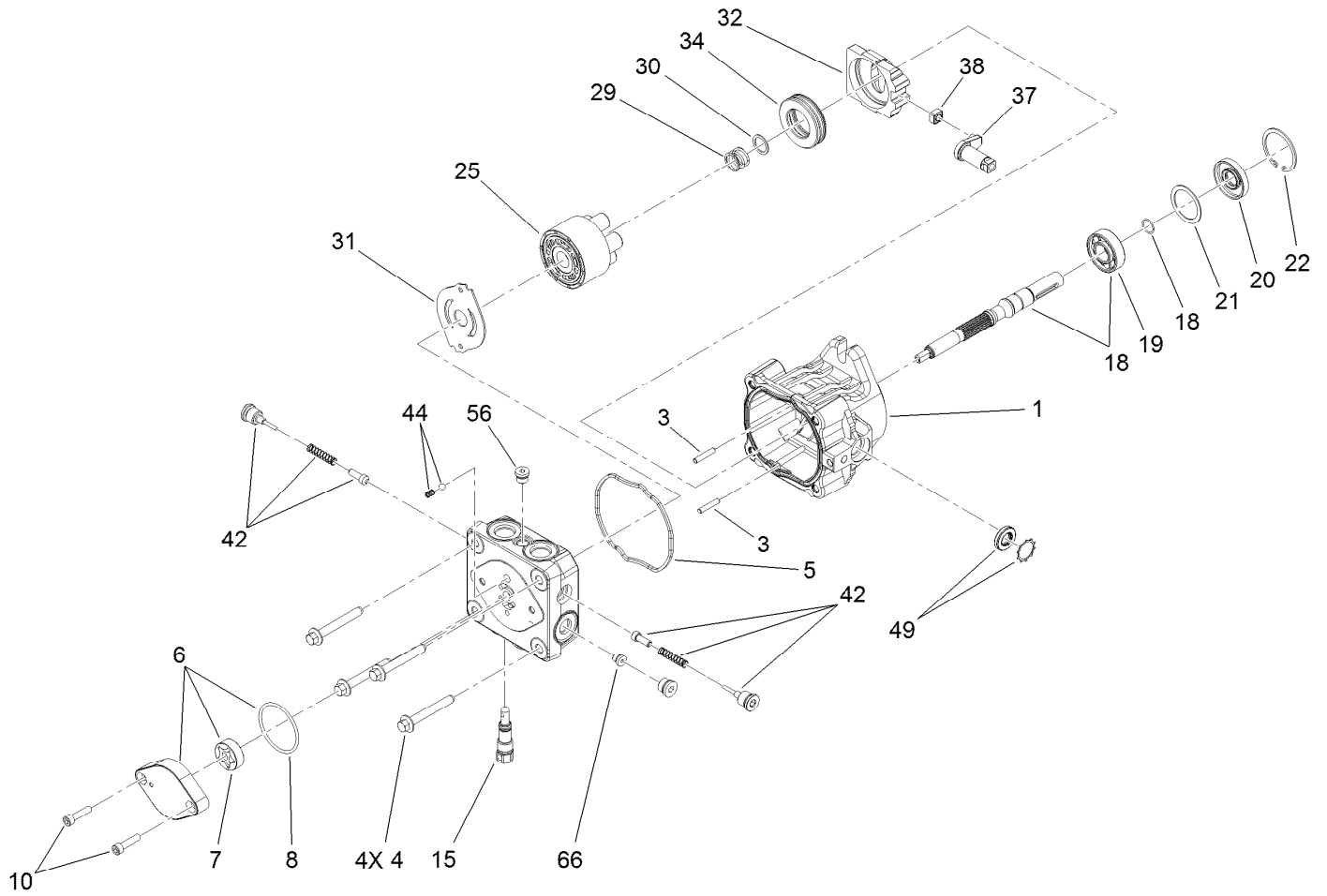


# Hydraulic Pump Assembly No. 117-6409 (continued)

<i>Ref.</i>	<i>Part Number</i>	<i>Qty.</i>	<i>Description</i>	<i>Ref.</i>	<i>Part Number</i>	<i>Qty.</i>	<i>Description</i>
1	115-4464	1	Housing Kit	29	94-1936	1	Spring-Block
3	106-8753	2	Pin-Headless, Straight	30	94-1937	1	Washer-Thrust
4	106-8754	4	Bolt-HF	31	105-6185	1	Plate-Valve
5	106-8755	1	O-Ring	32	94-1907	1	Swashplate-Variable
6	106-8756	1	Charge Pump Kit	34	94-6922	1	Bearing-Thrust
7	104-2122	1	Gerotor ASM	37	115-4458	1	Arm-Trunnion, Tapered Square
8	106-8757	1	O-Ring	38	94-1910	1	Guide-Slot
10	104-2111	2	Capscrew	42	98-3252	2	Valve-Check (W/Poppet)
15	106-8759	1	Bypass Valve Kit	44	106-8760	1	Charge Relief Valve Kit
18	103-2664	1	Input Shaft Kit	49	114-8155	1	Trunnion Seal Kit
19	104-5311	1	Bearing-Ball	56	106-8762	1	Plug-HSH
20	104-5310	1	Seal-Lip	66	106-8763	1	Plug-HSH
21	104-5308	1	Spacer	99	105-6184	1	Seal Overhaul Kit ●
22	104-5309	1	Ring-Retaining				
25	103-2666	1	Cylinder Block Kit				

● Not illustrated

# Hydraulic Pump Assembly No. 117-6410

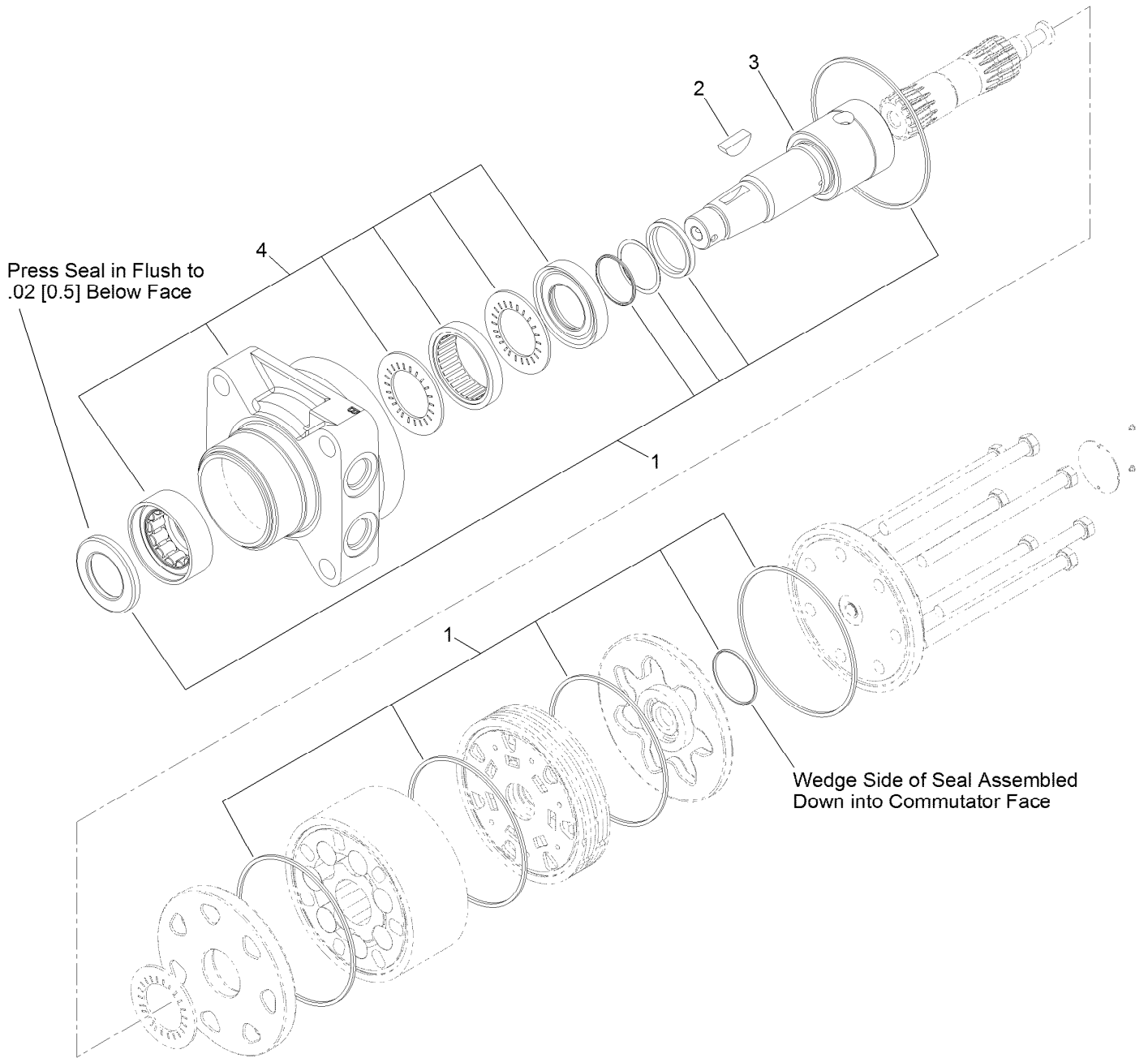


# Hydraulic Pump Assembly No. 117-6410 (continued)

<i>Ref.</i>	<i>Part Number</i>	<i>Qty.</i>	<i>Description</i>	<i>Ref.</i>	<i>Part Number</i>	<i>Qty.</i>	<i>Description</i>
1	115-4464	1	Housing Kit	29	94-1936	1	Spring-Block
3	106-8753	2	Pin-Headless, Straight	30	94-1937	1	Washer-Thrust
4	106-8754	4	Bolt-HF	31	105-6185	1	Plate-Valve
5	106-8755	1	O-Ring	32	94-1907	1	Swashplate-Variable
6	106-8756	1	Charge Pump Kit	34	94-6922	1	Bearing-Thrust
7	104-2122	1	Gerotor ASM	37	115-4458	1	Arm-Trunnion, Tapered Square
8	106-8757	1	O-Ring	38	94-1910	1	Guide-Slot
10	104-2111	2	Capscrew	42	98-3252	2	Valve-Check (W/Poppet)
15	106-8759	1	Bypass Valve Kit	44	106-8760	1	Charge Relief Valve Kit
18	103-2664	1	Input Shaft Kit	49	114-8155	1	Trunnion Seal Kit
19	104-5311	1	Bearing-Ball	56	106-8762	1	Plug-HSH
20	104-5310	1	Seal-Lip	66	106-8763	1	Plug-HSH
21	104-5308	1	Spacer	99	105-6184	1	Seal Overhaul Kit ●
22	104-5309	1	Ring-Retaining				
25	103-2666	1	Cylinder Block Kit				

● Not illustrated

# Hydraulic Motor Assembly No. 104-8470

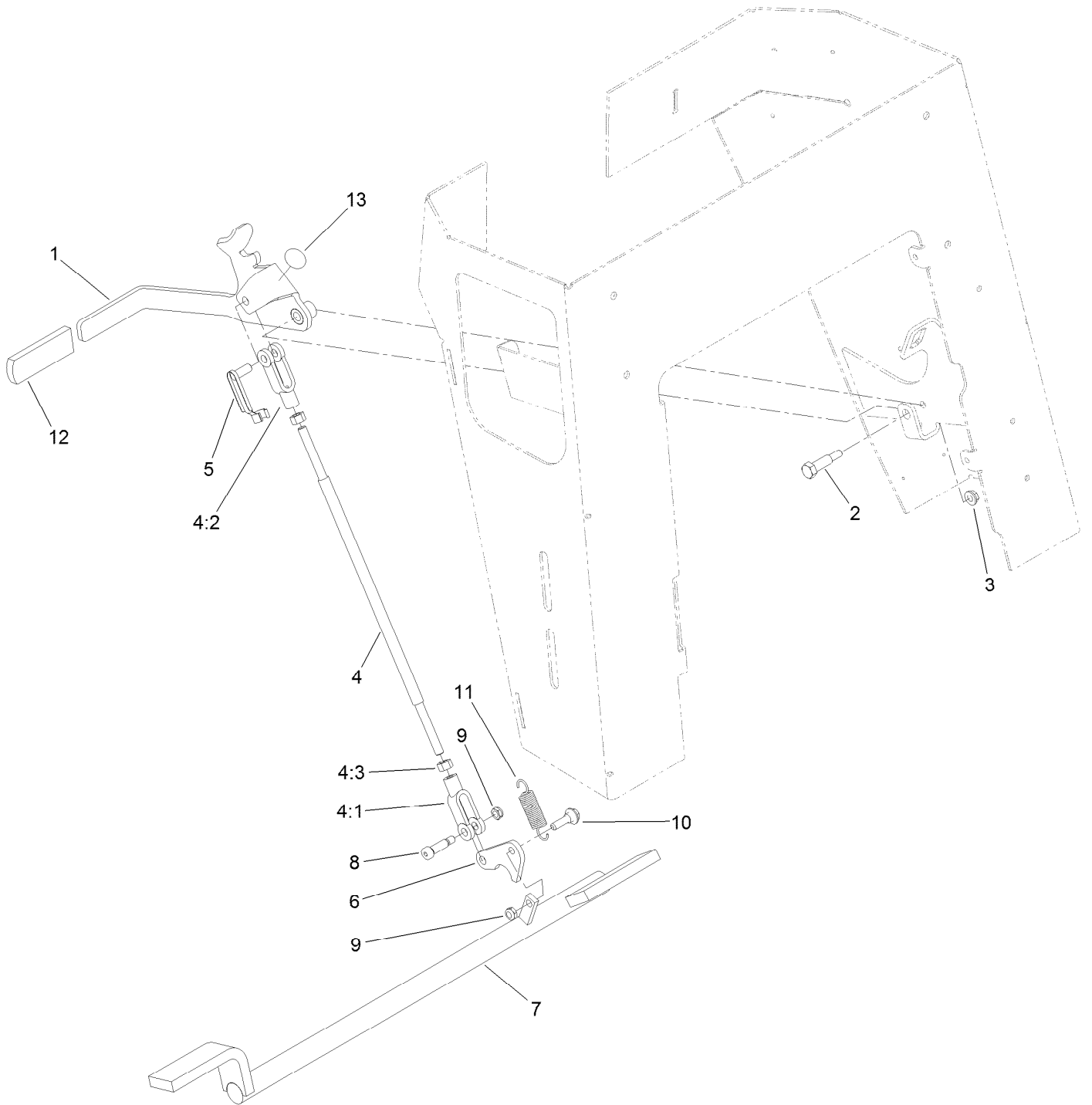


# Hydraulic Motor Assembly No. 104-8470 (continued)

<i>Ref.</i>	<i>Part Number</i>	<i>Qty.</i>	<i>Description</i>
1	115-4061	1	Seal Kit
2	3257-42	1	Key-Woodruff

<i>Ref.</i>	<i>Part Number</i>	<i>Qty.</i>	<i>Description</i>
3	99-3090	1	Shaft-Coupling
4	120-5395	1	Motor Housing ASM

# Parking Brake Assembly

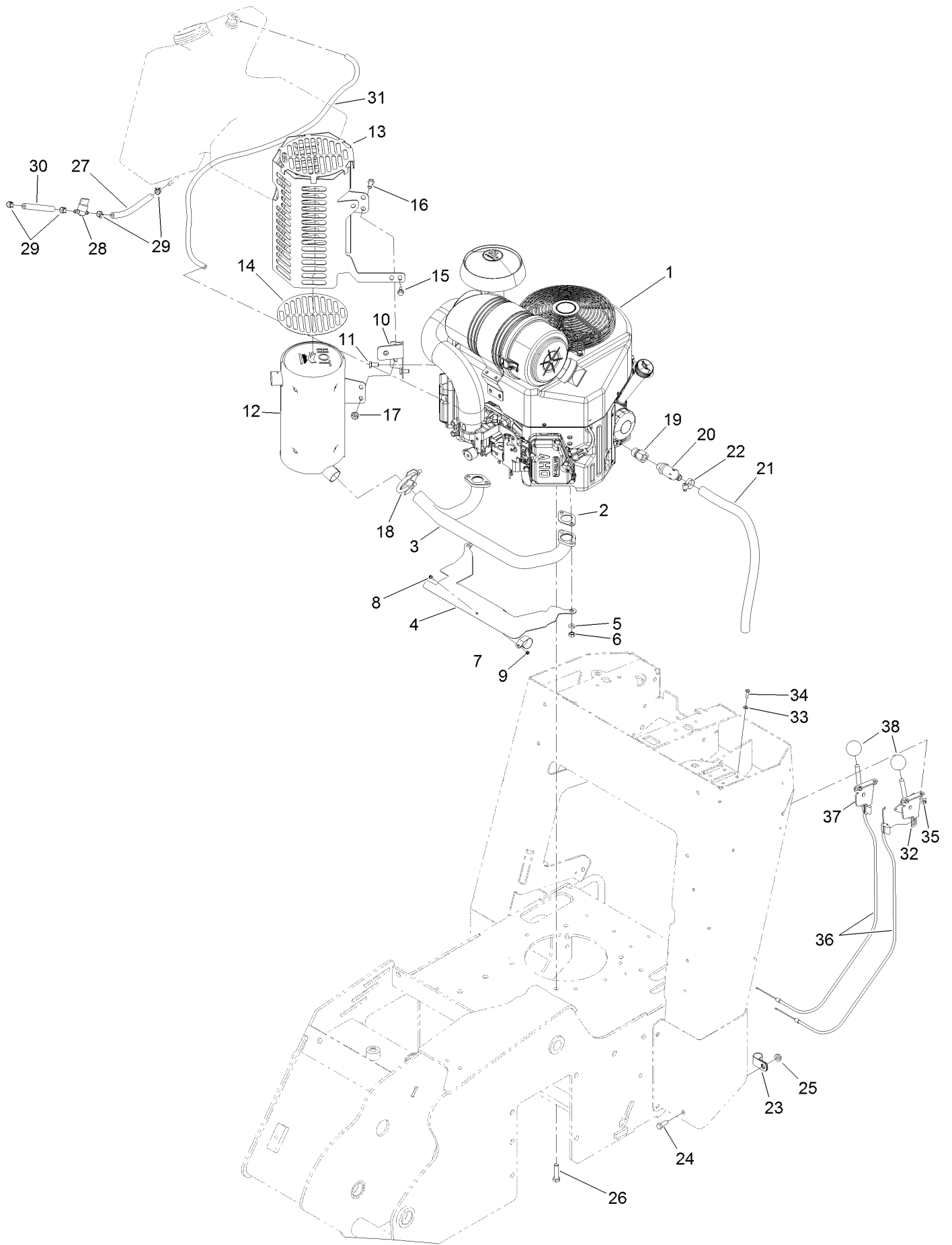




## Parking Brake Assembly (continued)

<i>Ref.</i>	<i>Part Number</i>	<i>Qty.</i>	<i>Description</i>	<i>Ref.</i>	<i>Part Number</i>	<i>Qty.</i>	<i>Description</i>
1	117-6421-03	1	Handle-Brake	6	114-2975	1	Link-Mounting
2	7-0030	1	Screw-Shoulder, HH	7	114-2972-03	1	Bar-Brake
3	32128-20	1	Nut-HF	8	114-8629	1	Bolt-Shoulder
4	103-4335	1	Brake Rod ASM	9	3296-47	2	Nut-Lock, NI
4:1	1-633131	2	Yoke-Linkage, Brake	10	27-7211	1	Screw-Shoulder
4:2	103-3907	1	Linkage-Handle, Brake	11	67-1450	1	Spring-Idler
4:3	3219-3	2	Nut-Hex	12	62-9130	1	Grip-Handle
5	103-2399	1	Pin-Spring, Clevis	13	107-8495	1	Decal-Parking Brake

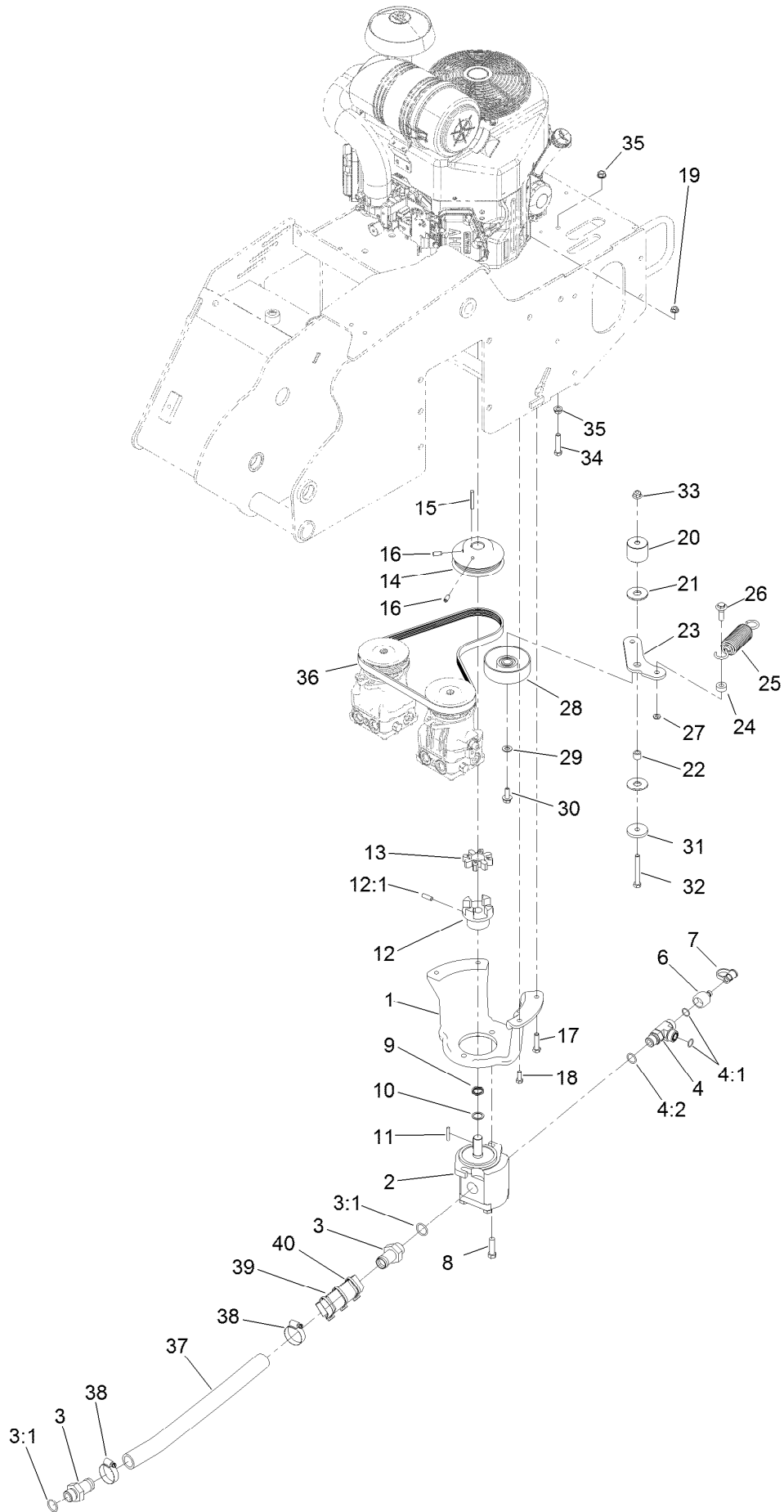
# Engine, Muffler and Fuel Line Assembly



## Engine, Muffler and Fuel Line Assembly (continued)

<i>Ref.</i>	<i>Part Number</i>	<i>Qty.</i>	<i>Description</i>	<i>Ref.</i>	<i>Part Number</i>	<i>Qty.</i>	<i>Description</i>
1	117-6305	1	Engine-Kawasaki, Fx730V	20	92-6877	1	Valve-Drain, Oil
2	1-653313	2	Gasket-Exhaust	21	106-5709	1	Hose-Vent
3	120-7535	1	Manifold, Muffler	22	2412-36	1	Clamp-Hose
4	115-9227	1	Plate-Shield, Heat	23	2412-81	1	Clamp-R
5	115-6496	4	Washer-Spring	24	322-4	1	Screw-HH
6	115-6611	4	Nut-Hex	25	32128-20	1	Nut-HF
7	115-6488	1	Clamp	26	323-8	2	Screw-HH
8	115-6494	1	Screw-Pan	27	109-0306	1	Hose-Fuel
9	115-6495	1	Nut-Hex	28	1-603770	1	Valve-Fuel
10	115-9233-03	1	Bracket-Mount, Muffler	29	2412-98	4	Clamp-Hose
11	33114-016	2	Screw-HH	30	109-0295	1	Hose-Fuel
12	120-7536	1	Muffler	31	117-6396	1	Hose-Vent, Tank
13	131-0602-03	1	Guard-Muffler	32	110-5547	1	Lever-Control
14	131-0604	1	Foil-Guard	33	3256-21	4	Washer-Flat
15	33103-016	1	Screw-HHF	34	3290-134	4	Screw
16	33114-020	3	Screw-HH	35	3296-2	4	Nut-Lock, NI
17	112-2844	3	Nut-HF	36	115-1211	2	Cable-Control
18	2112-11	1	Clamp-Muffler	37	108-9730	1	Lever-Control
19	103-1966	1	Adapter	38	233-42	2	Knob

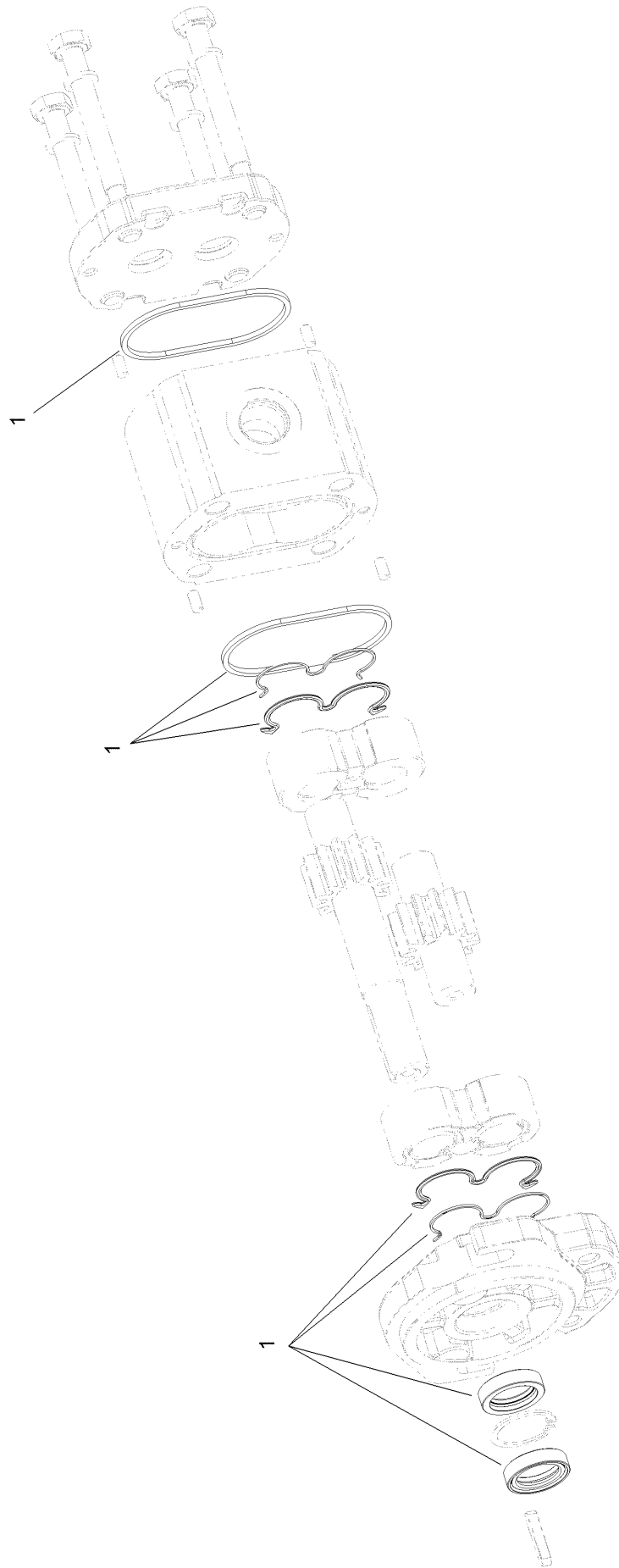
# Gear Pump and Mount Assembly



## Gear Pump and Mount Assembly (continued)

<i>Ref.</i>	<i>Part Number</i>	<i>Qty.</i>	<i>Description</i>	<i>Ref.</i>	<i>Part Number</i>	<i>Qty.</i>	<i>Description</i>
1	115-1480-03	1	Mount-Pump	20	125-0251	1	Spacer-Idler
2	117-6307	1	Gear Pump ASM	21	114-0463	2	Washer-Friction, Composite
3	99-3017	2	Fitting	22	1-413088	1	Bushing-Lever, Lift
3:1	237-81	1	O-Ring	23	125-0252	1	Arm-Idler
4	340-22	1	Fitting-Tee	24	104-8426	1	Spacer
4:1	237-65	2	O-Ring	25	121-4523	1	Spring-Extension
4:2	237-80	1	O-Ring	26	614672	1	Screw-Shoulder, HWH
6	86-5860	1	Nipple	27	3296-59	1	Nut-Lock, NI
7	354-79	1	Cap-Dust	28	95-8802	1	Pulley-Idler
8	324-6	2	Screw-HH	29	3256-24	1	Washer-Flat
9	121-4517	1	Washer-Wave	30	3234-11	1	Screw-HHF
10	115-7210	1	Washer-Thrust	31	110-9981	1	Washer-Plain
11	27-8590	1	Key-Square	32	323-14	1	Screw-HH
12	114-2933	1	Coupler-Flex	33	104-8301	1	Nut-HF, NI
12:1	100-7594	1	Screw-Set	34	323-9	1	Screw-HH
13	93-8827	1	Coupler-Spider	35	3290-357	2	Nut-HHF, Whiz
14	114-8559-03	1	Pulley-Engine	36	114-2991	1	Belt-V
15	608006	1	Key-Square	37	114-2917	1	Hose-Suction
16	3246-6	2	Screw-Set, HSH	38	2412-111	2	Clamp
17	323-8	2	Screw-HH	39	AU112950	2	Protector-Hose
18	322-5	2	Screw-HH	40	3290-378	3	Tie-Cable
19	32128-20	2	Nut-HF				

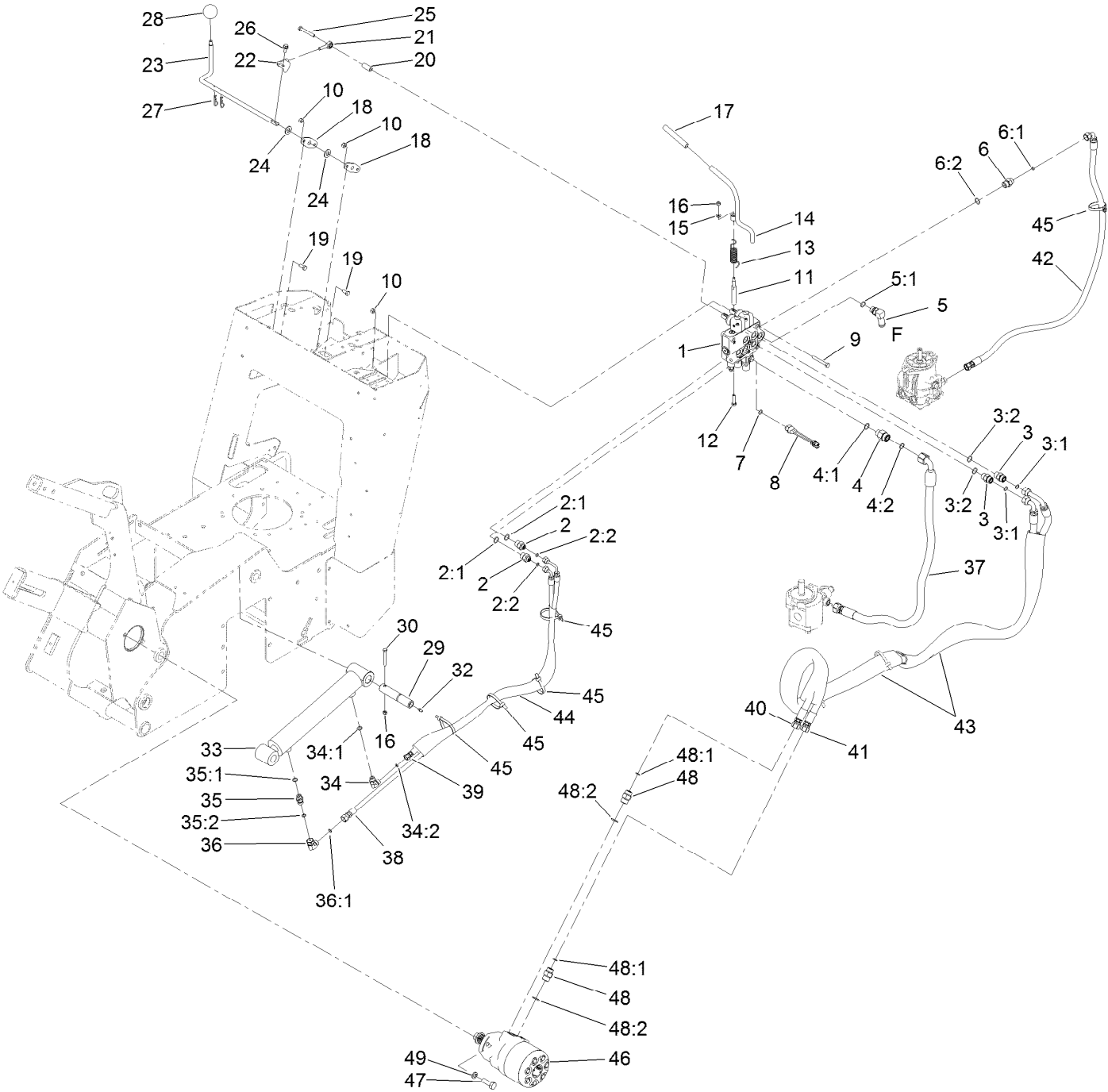
# Gear Pump Assembly No. 117-6307



# Gear Pump Assembly No. 117-6307 (continued)

<i>Ref.</i>	<i>Part Number</i>	<i>Qty.</i>	<i>Description</i>
1	115-1265	1	Seal Kit

# 2-Spool Valve and Hydraulic Motor Assembly

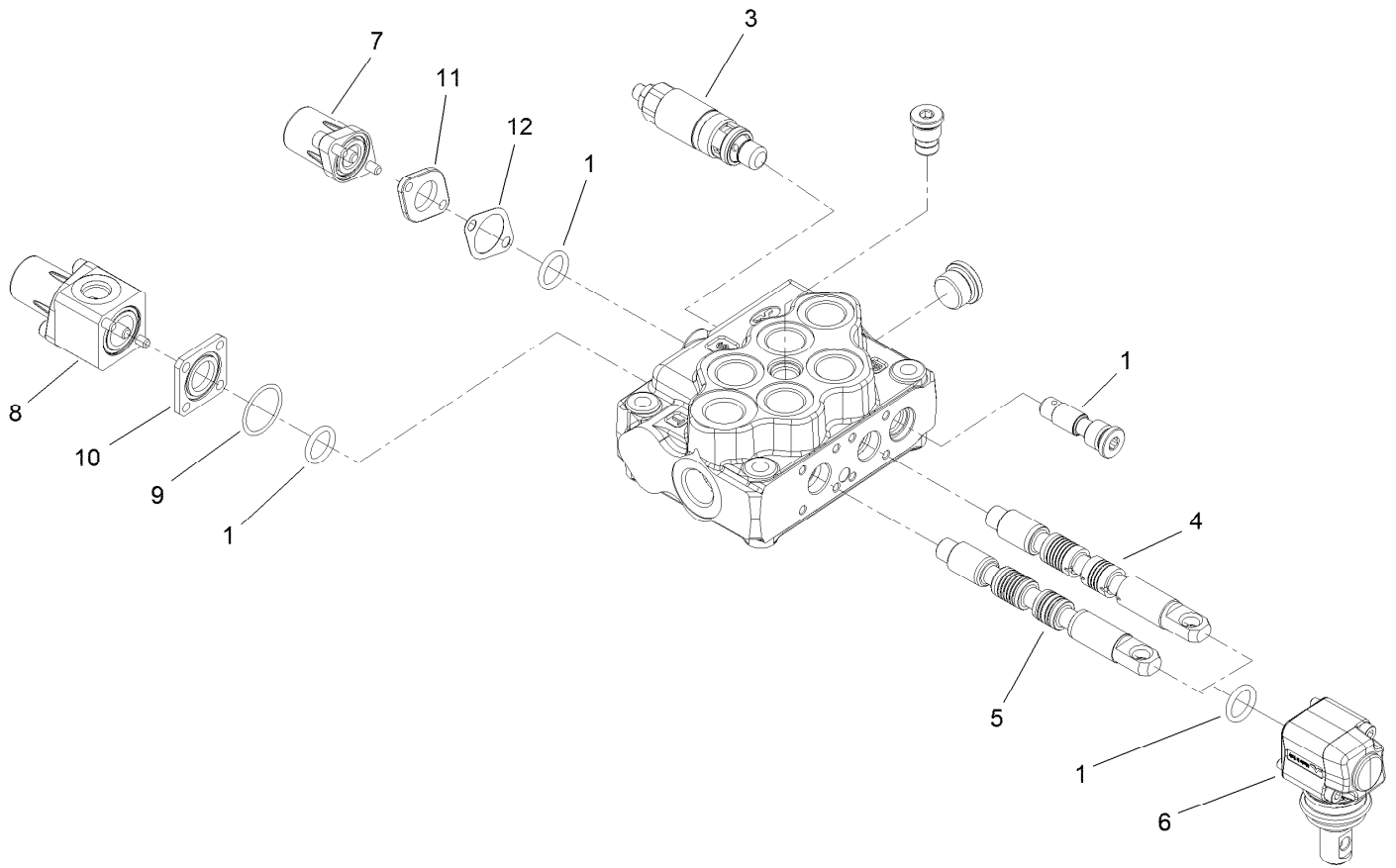




## 2-Spool Valve and Hydraulic Motor Assembly (continued)

<i>Ref.</i>	<i>Part Number</i>	<i>Qty.</i>	<i>Description</i>	<i>Ref.</i>	<i>Part Number</i>	<i>Qty.</i>	<i>Description</i>
1	115-4062	1	HYD Valve ASM	24	3256-26	2	Washer-Flat
2	340-133	2	Fitting-STR	25	33114-060	1	Screw-HH
2:1	237-79	1	O-Ring	26	3234-14	1	Screw-HHF
2:2	237-21	1	O-Ring	27	3290-467	2	Pin-Hair
3	340-4	2	Fitting-STR	28	233-21	1	Knob
3:1	237-30	1	O-Ring	29	120-7352	1	Pin-Pivot
3:2	237-79	1	O-Ring	30	321-18	1	Screw-HH
4	340-155	1	Fitting-Straight	32	302-5	1	Fitting-Grease
4:1	237-79	1	O-Ring	33	121-1955	1	HYD Cylinder ASM
4:2	237-151	1	O-Ring	34	340-82	1	Fitting-Elbow, 90
5	353-954	1	Fitting-Elbow, 90	34:1	237-42	1	O-Ring
5:1	237-79	1	O-Ring	34:2	237-21	1	O-Ring
6	340-3	1	Fitting-Straight	35	115-4081	1	Valve-Check
6:1	237-22	1	O-Ring	35:1	237-42	1	O-Ring
6:2	237-79	1	O-Ring	35:2	237-22	1	O-Ring
7	237-42	1	O-Ring	36	340-159	1	Fitting-HYD, 90 DEG
8	72-4310	1	Switch-Ball	36:1	237-22	2	O-Ring
9	322-12	3	Screw-HH	37	114-3043	1	Hose-HYD
10	3296-29	7	Nut-Lock, NI	38	114-3044	1	Hose-HYD
11	104-2827	1	Spacer-Hiflo	39	114-3045	1	Hose-HYD
12	33114-035	1	Screw-HH	40	114-3046	1	Hose-HYD
13	112-2738	1	Spring-Torsion	41	114-3085	1	Hose-HYD
14	112-2739	1	Lever-Auxiliary	42	117-4038	1	Hose-HYD
15	3256-16	1	Washer-Flat	43	99-5648	2	Sleeve-Protective
16	3296-42	2	Nut-Lock, NI	44	115-4064	1	Sleeve-Protective
17	112-2605	1	Grip-Rubber	45	3334-945	8	Tie-Cable
18	20-1620	2	Bearing-Wheel, Friction	46	117-6306	1	Hydraulic Motor ASM
19	322-3	4	Screw-HH	47	325-6	2	Screw-HH
20	103-0384	1	Spacer	48	340-6	2	Fitting-Straight
21	115-1273	1	Bearing-Rod End	48:1	237-30	1	O-Ring
22	112-7210	1	Bracket-Control	48:2	237-80	1	O-Ring
23	114-8598	1	Rod-Lever, Cylinder	49	3253-7	2	Washer-Lock

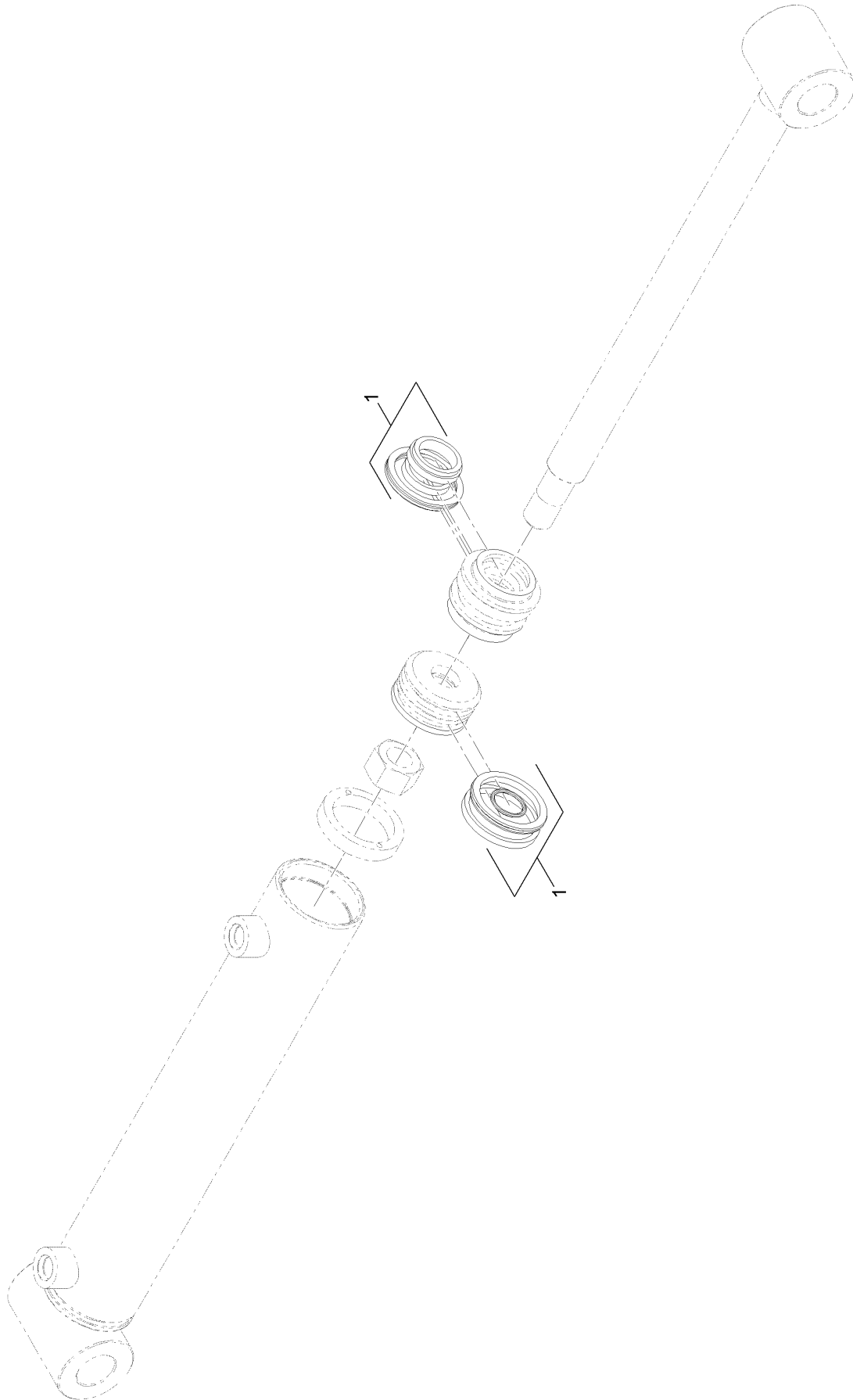
# 2-Spool Valve Assembly No. 115-4062



## 2-Spool Valve Assembly No. 115-4062 (continued)

<i>Ref.</i>	<i>Part Number</i>	<i>Qty.</i>	<i>Description</i>	<i>Ref.</i>	<i>Part Number</i>	<i>Qty.</i>	<i>Description</i>
1	106-7719	4	Seal-Valve	8	115-4093	1	Switch Spring Return Kit
3	100-8805	1	Valve-Relief	9	115-4097	1	Seal-Return
4	115-4084	1	Spool-Valve	10	115-4094	1	Spacer-Square
5	106-7572	1	Spool	11	115-4089	1	Spacer-Spring Return
6	100-7229	2	Lever Kit	12	115-4088	1	Gasket-Return
7	115-4092	1	Spring Return Kit				

# Hydraulic Cylinder Assembly No. 121-1955



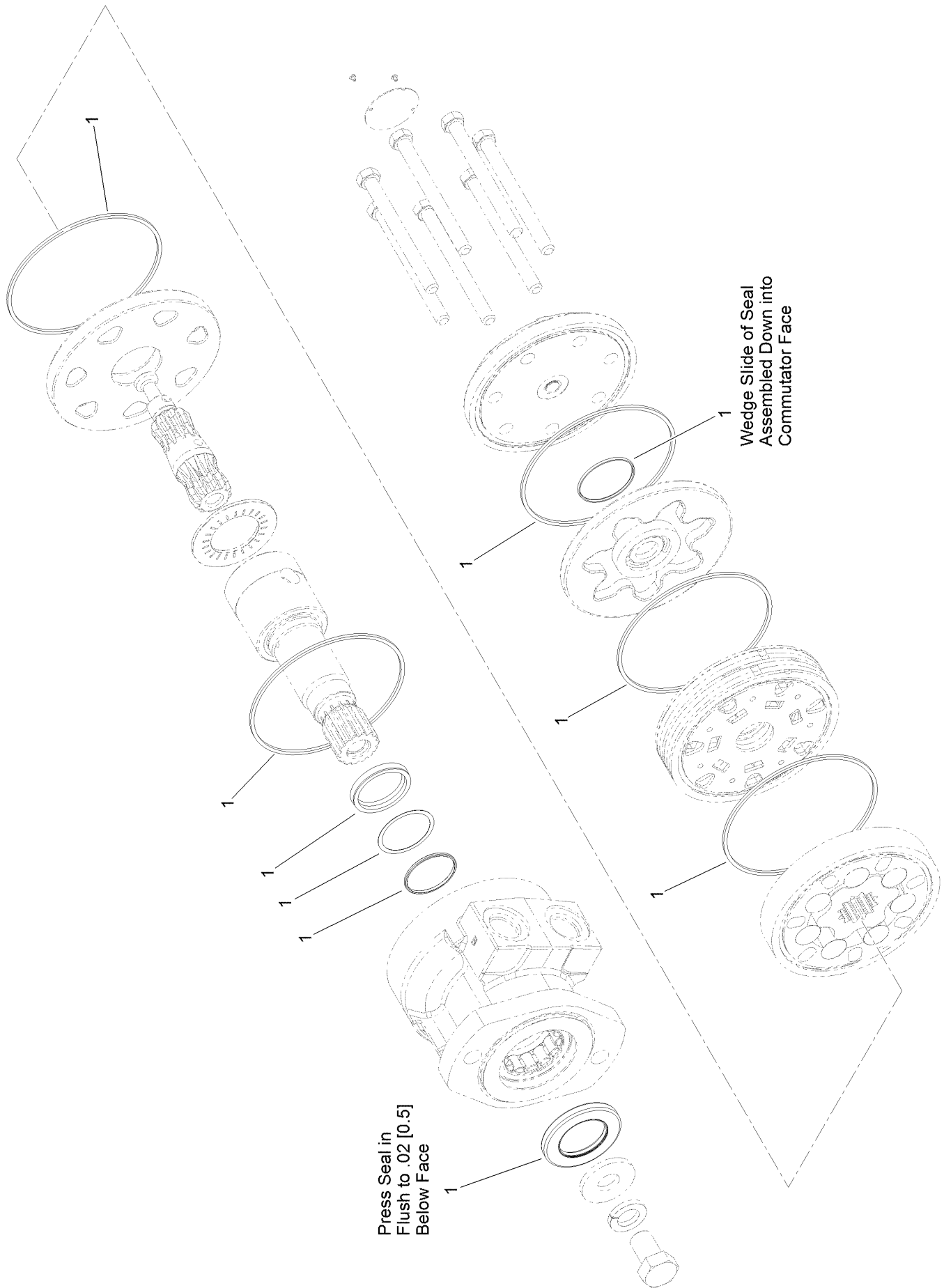
# Hydraulic Cylinder Assembly No. 121-1955 (continued)

---

<i>Ref.</i>	<i>Part Number</i>	<i>Qty.</i>	<i>Description</i>
1	131-0665	1	Seal Kit

---

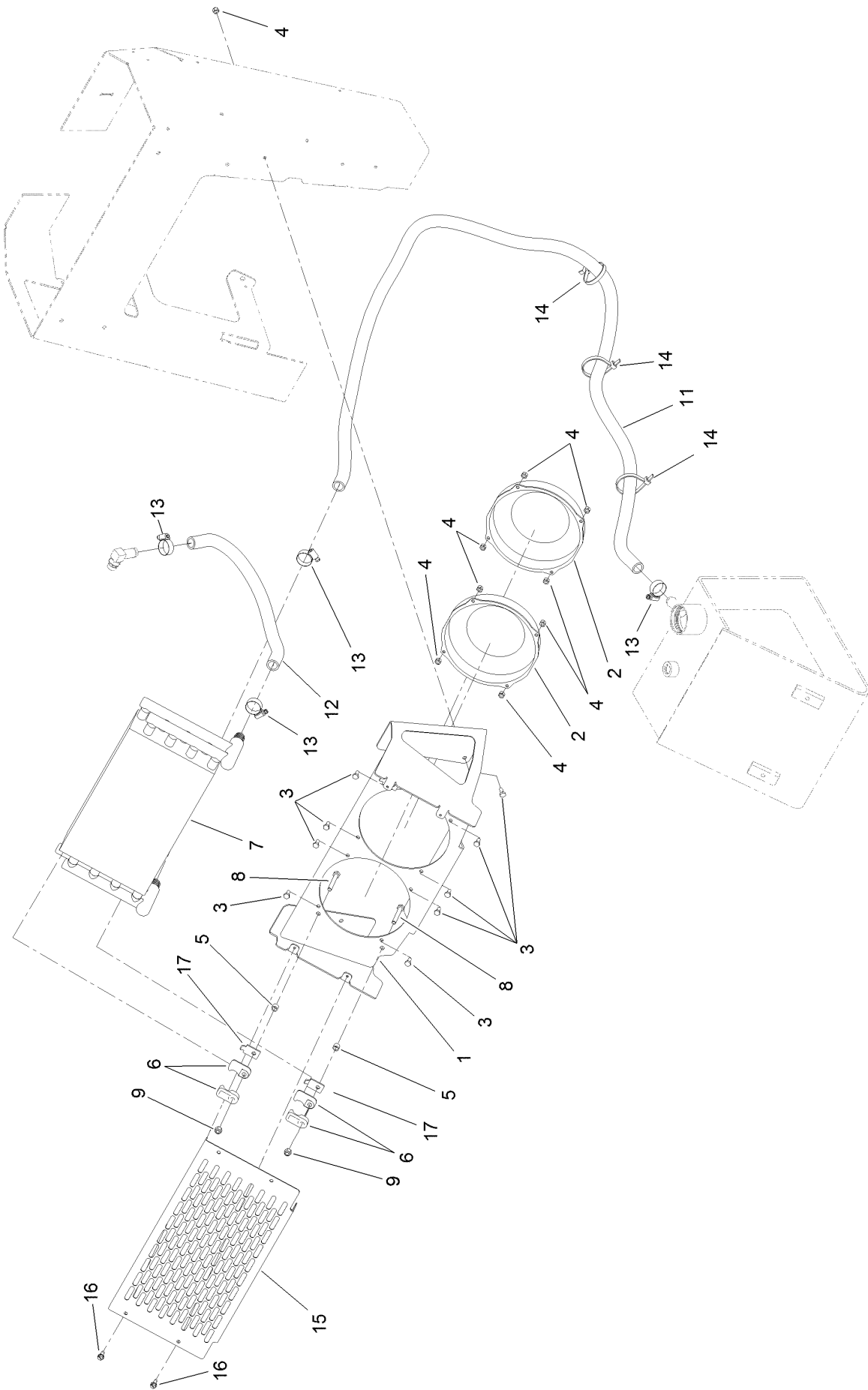
# Hydraulic Motor Assembly No. 117-6306



# Hydraulic Motor Assembly No. 117-6306 (continued)

<i>Ref.</i>	<i>Part Number</i>	<i>Qty.</i>	<i>Description</i>
1	115-4061	1	Seal Kit

# Oil Cooler Assembly

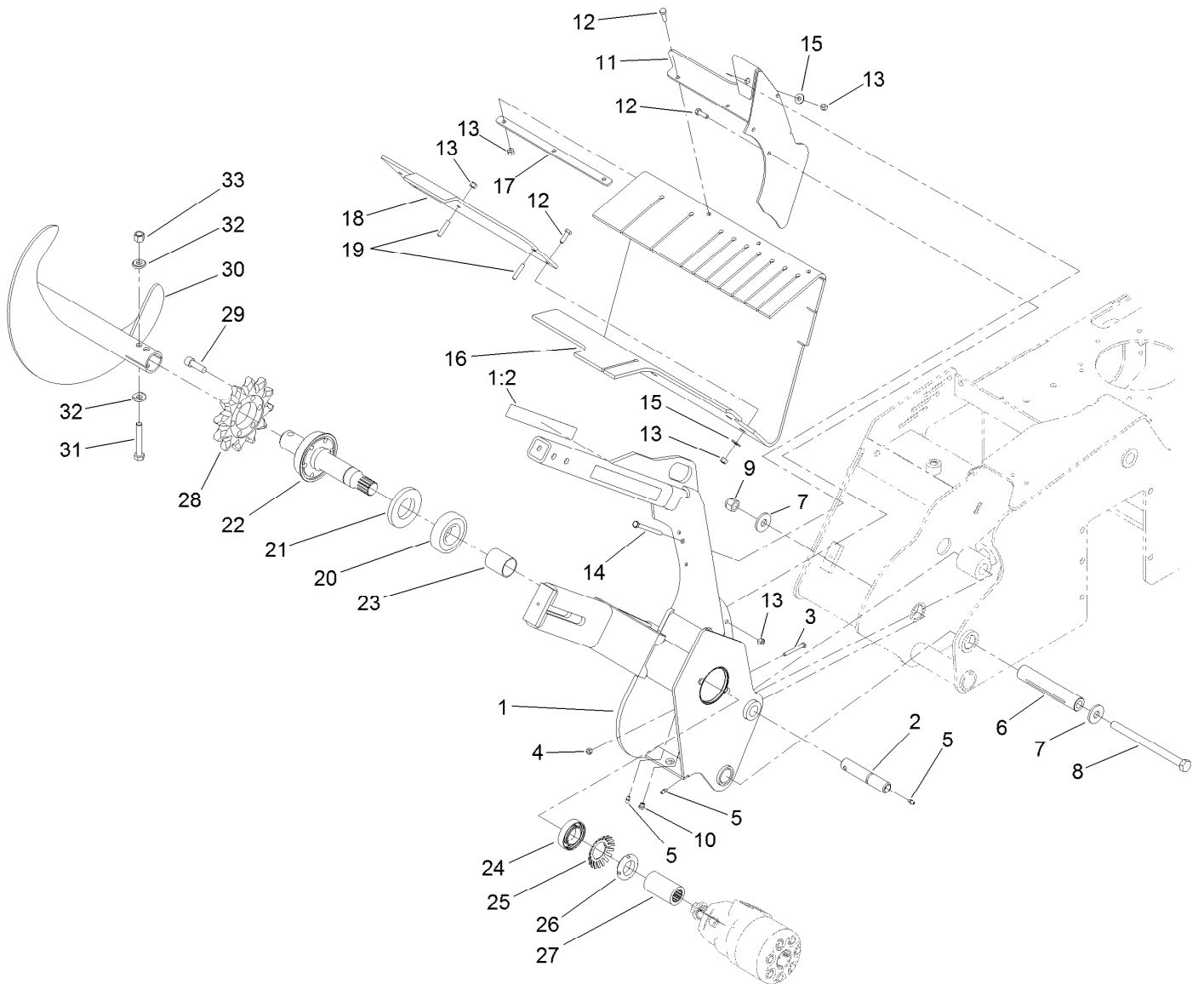




## Oil Cooler Assembly (continued)

<i>Ref.</i>	<i>Part Number</i>	<i>Qty.</i>	<i>Description</i>	<i>Ref.</i>	<i>Part Number</i>	<i>Qty.</i>	<i>Description</i>
1	115-9240-01	1	Mount-Cooler	9	3296-29	4	Nut-Lock, NI
2	120-7390	2	Fan	11	115-1207	1	Hose-Return
3	321-3	12	Screw-HH	12	117-3966	1	Hose-Cooler
4	104-7201	16	Nut-HF	13	2412-129	4	Clamp-Hose
5	105-5723	4	Spacer-Tube	14	3334-945	3	Tie-Cable
6	131-0733	8	Clamp	15	119-4633-01	1	Cover-Cooler
7	117-6320	1	Cooler-Oil	16	32104-95	4	Screw-HWH
8	322-11	4	Screw-HH	17	131-0642	4	Plate-Support, Clamp

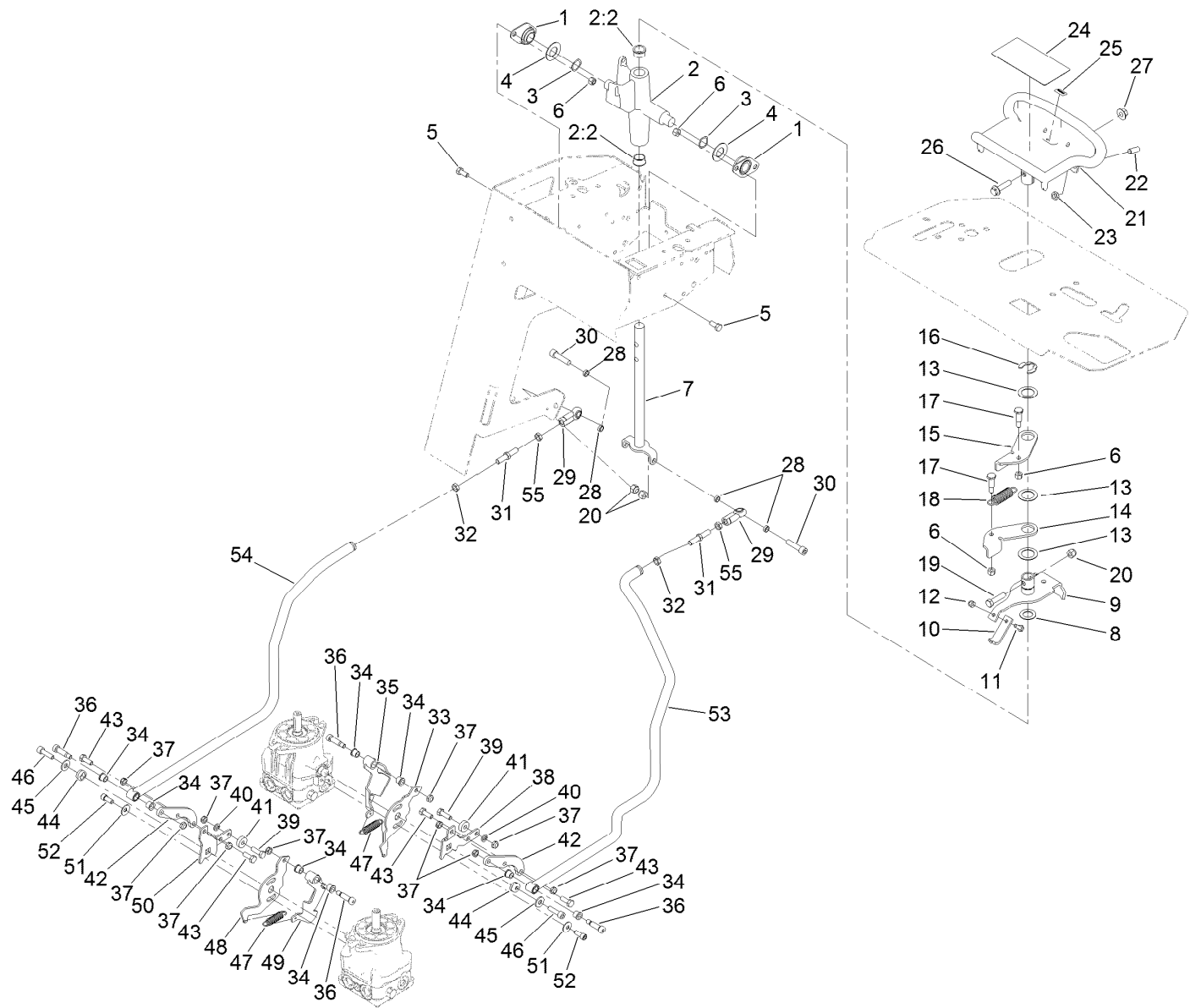
# Trencher Head and Auger Assembly



## Trencher Head and Auger Assembly (continued)

<i>Ref.</i>	<i>Part Number</i>	<i>Qty.</i>	<i>Description</i>	<i>Ref.</i>	<i>Part Number</i>	<i>Qty.</i>	<i>Description</i>
1	117-6423	1	Trencher Head ASM	17	115-4001-03	1	Plate-Strap, Shield
1:2	99-9952	2	Decal-Danger	18	117-6316-03	1	Bar-Clamp
2	120-7352	1	Pin-Pivot	19	115-4049	2	Screw-HSH
3	321-18	1	Screw-HH	20	106-8871	1	Bearing-Ball
4	3296-42	1	Nut-Lock, NI	21	114-2955	1	Seal-Grease
5	302-5	3	Fitting-Grease	22	117-6308	1	Shaft-Trencher
6	121-4571	1	Spacer-Pivot	23	112-4979	1	Spacer
7	104-9216	2	Washer-Hardened	24	111199	1	Bearing-Ball
8	117-6327	1	Bolt-HH	25	114-2956	1	Lockwasher-Bearing
9	3296-53	1	Nut-Lock, NI	26	88-1450	1	Locknut-Bearing
10	302-34	1	Fitting-Lube	27	117-6315	1	Collar-Splined
11	115-1279-03	1	Bracket-Shield	28	104-1964	1	Sprocket-Trencher
12	322-5	8	Screw-HH	29	3274-4	6	Screw-HSH
13	3296-29	11	Nut-Lock, NI	30	117-8852-03	1	Auger-Trencher
14	322-23	1	Screw-HH	31	325-13	1	Screw-HH
15	3256-3	4	Washer-Flat	32	117-3479	2	Washer-Saddle
16	117-6317	1	Shield-Dirt	33	3296-23	1	Nut-Lock, NI

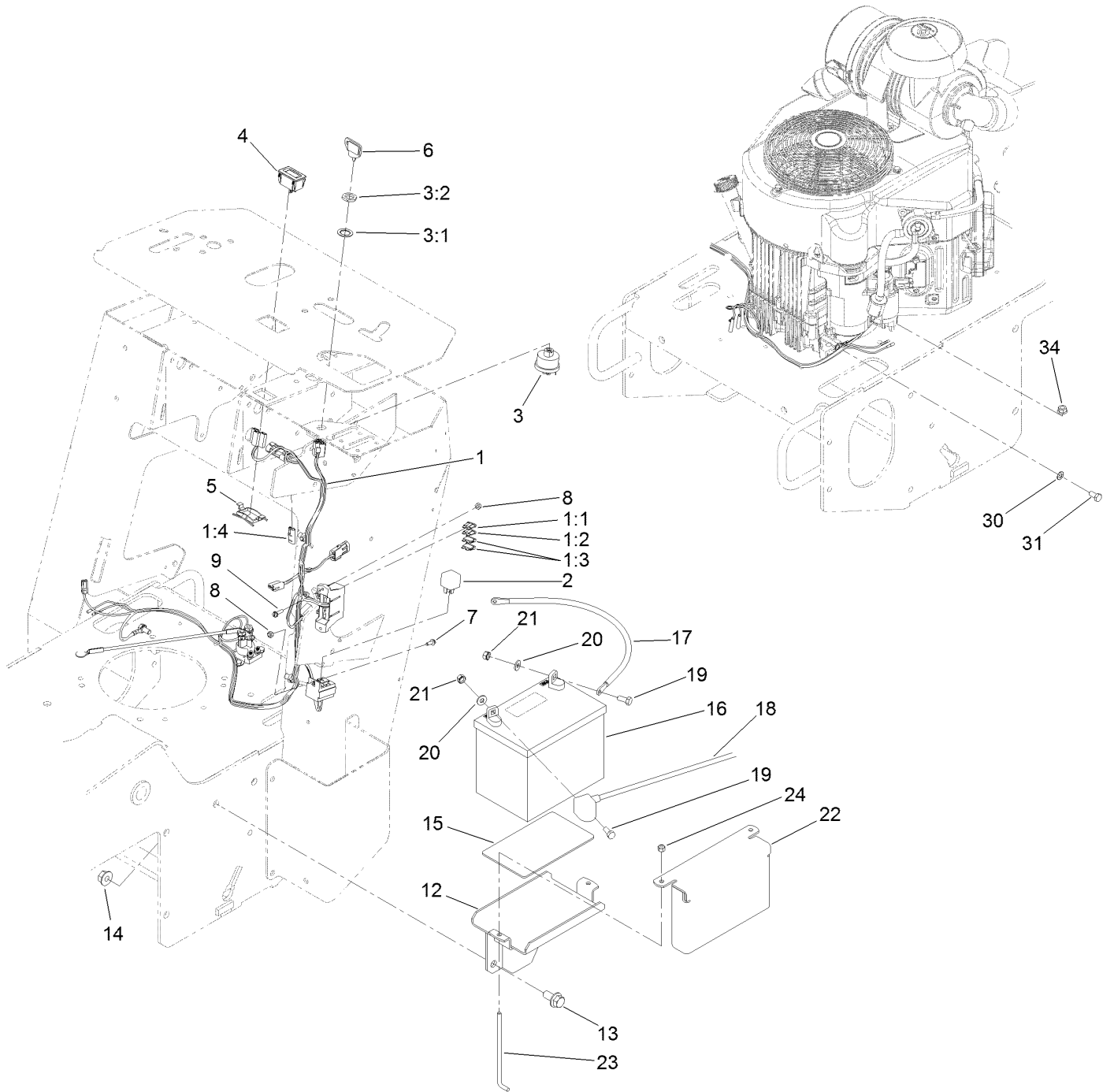
# Traction Control Assembly



## Traction Control Assembly (continued)

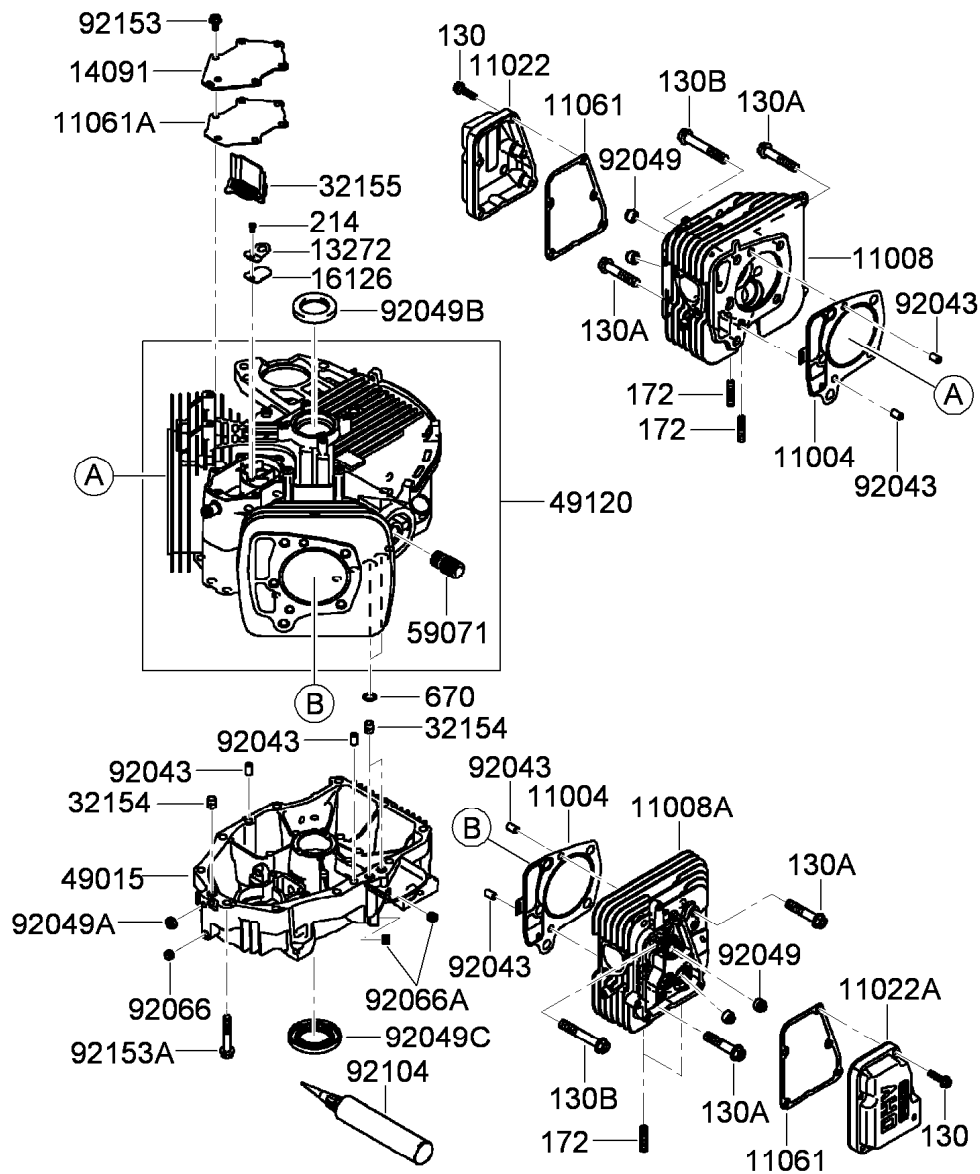
<i>Ref.</i>	<i>Part Number</i>	<i>Qty.</i>	<i>Description</i>	<i>Ref.</i>	<i>Part Number</i>	<i>Qty.</i>	<i>Description</i>
1	27-2320	2	Bearing	28	108-0634	4	Spacer-Plate, Retaining
2	106-5737	1	Control Support ASM	29	103-1167	2	Joint-Ball End, LH
2:2	256-252	2	Bearing-Flange	30	3274-2	2	Screw-HSH
3	95-3703	2	Washer-Spring, Wave	31	AU107344	2	Screw-Jack, Control
4	3256-39	2	Washer-Flat	32	3220-3	2	Nut-HJ
5	322-3	4	Screw-HH	33	115-6549	1	Plate-Base, LH
6	3296-29	6	Nut-Lock, NI	34	256-116	8	Bushing-Flange
7	117-6335	1	Rod-Drive	35	115-6637	1	Pivot-LH
8	257-8	1	Washer-Thrust	36	114-8629	4	Bolt-Shoulder
9	112-2783	1	Lever-Pivot	37	3296-47	10	Nut-Lock, NI
10	115-1204	1	Plate-Neutral	38	115-6628	1	Plate-Arm, Return, LH
11	321-4	1	Screw-HH	39	322-5	2	Screw-HH
12	3296-42	1	Nut-Lock, NI	40	3253-4	2	Washer-Lock
13	108-9743	3	Washer-Plain	41	251-259	2	Bearing-Ball
14	98-8407	1	Lever-Return, RH	42	115-1290	2	Plate-Adapter, Control, RH
15	98-8408	1	Lever-Return, LH	43	322-4	4	Screw-HH
16	32151-91	1	Ring-Retaining	44	117-6429	2	Lock-Trunion
17	63-2650	2	Screw-Shoulder	45	3256-3	2	Washer-Flat
18	108-4724	1	Spring-Extension	46	94-3559	2	Screw-HSH
19	323-8	1	Screw-HH	47	121-4409	2	Spring-Extension
20	3296-39	3	Nut-Lock, NI	48	115-6535	1	Plate-Base, RH
21	120-5380-03	1	Handle-Control	49	115-6636	1	Pivot-RH
22	3247-6	2	Screw-Set	50	115-6536	1	Plate-Arm, Return
23	3218-3	2	Nut-Jam	51	3290-456	2	Washer-Belleville
24	115-4020	1	Decal-Traction	52	3273-14	2	Screw-HSH
25	98-1459	1	Decal	53	131-0668	1	Link-Steering, LH
26	3234-18	1	Screw-HHF	54	131-0669	1	Link-Steering, RH
27	32128-43	1	Nut-Flange	55	AU129-289	2	Nut-Jam, LH

# Battery and Wire Harness Assembly



## Battery and Wire Harness Assembly (continued)

<i>Ref.</i>	<i>Part Number</i>	<i>Qty.</i>	<i>Description</i>	<i>Ref.</i>	<i>Part Number</i>	<i>Qty.</i>	<i>Description</i>
1	117-6338	1	Harness-Wire	13	3234-6	2	Screw-HHF
1:1	109103	1	Fuse-Blade, 30 Amp	14	32128-49	2	Nut-HHF
1:2	109102	1	Fuse-Blade, 25 Amp	15	62-4300	1	Pad-Skid, Anti
1:3	109101	1	Fuse-Blade, 20 Amp	16	104-8162	1	Battery-Dry
1:4	116-0053	1	Cap-Plug	17	106-8945	1	Cable-Battery, Positive
2	98-7249	1	Relay	18	117-6422	1	Cable-Battery, Black
3	88-9830	1	Key Switch ASM	19	322-3	2	Screw-HH
3:1	3254-5	1	Washer-Tooth, Internal	20	3256-2	2	Washer-Flat
3:2	218-461	1	Nut-HH	21	32149-1	2	Nut-Keps
4	120-2244	1	Hourmeter	22	115-6621-03	1	Plate-Hold Down, Battery
5	104-4234	1	Clip-Mounting	23	104-8567	2	Holdown-Battery
6	63-8360	1	Key-Ignition	24	3296-42	2	Nut-Lock, NI
7	32105-23	1	Screw	30	3255-8	1	Washer-Lock
8	3296-2	2	Nut-Lock, NI	31	33114-016	1	Screw-HH
9	32105-13	1	Screw-HWH	34	33004-00	1	Nut-HF
12	105-3150-01	1	Tray-Battery				

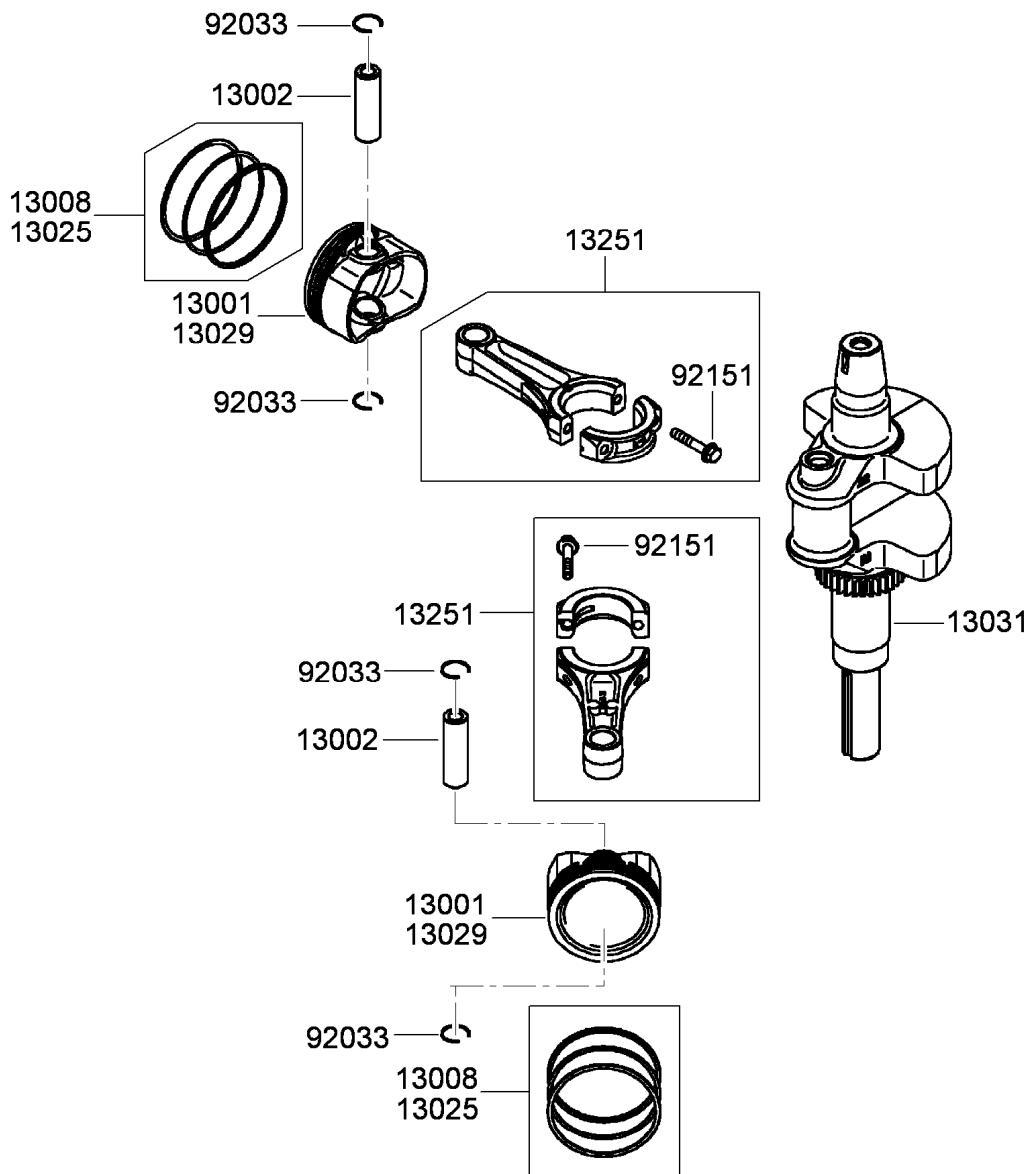


## Cylinder and Crankcase Assembly

Ref.	Part Number	Qty.	Description
130	93-8548	10	Bolt-Flanged (6X25)
130A	119-5822	4	Bolt-Flanged (10X50)
130B	119-5823	6	Bolt-Flanged (10X65)
172	114-8658	4	Bolt-Stud (8X18)
214	115-6422	1	Screw-Pan (4X8)
670	95-9771	2	O-Ring (11Mm)
11004	119-5800	2	Gasket-Head
11008	119-5801	1	Head-Cylinder (No.1)
11008A	119-5802	1	Head-Cylinder (No.2)
11022	119-5803	1	Case-Rocker (No.1)
11022A	119-5804	1	Case-Rocker (No.2)
11061	119-5805	2	Gasket-Case, Rocker
11061A	119-5806	1	Gasket-Breather
13272	119-5808	1	Plate-Breather
14091	119-5809	1	Cover-Breather
16126	119-5810	1	Valve-Breather

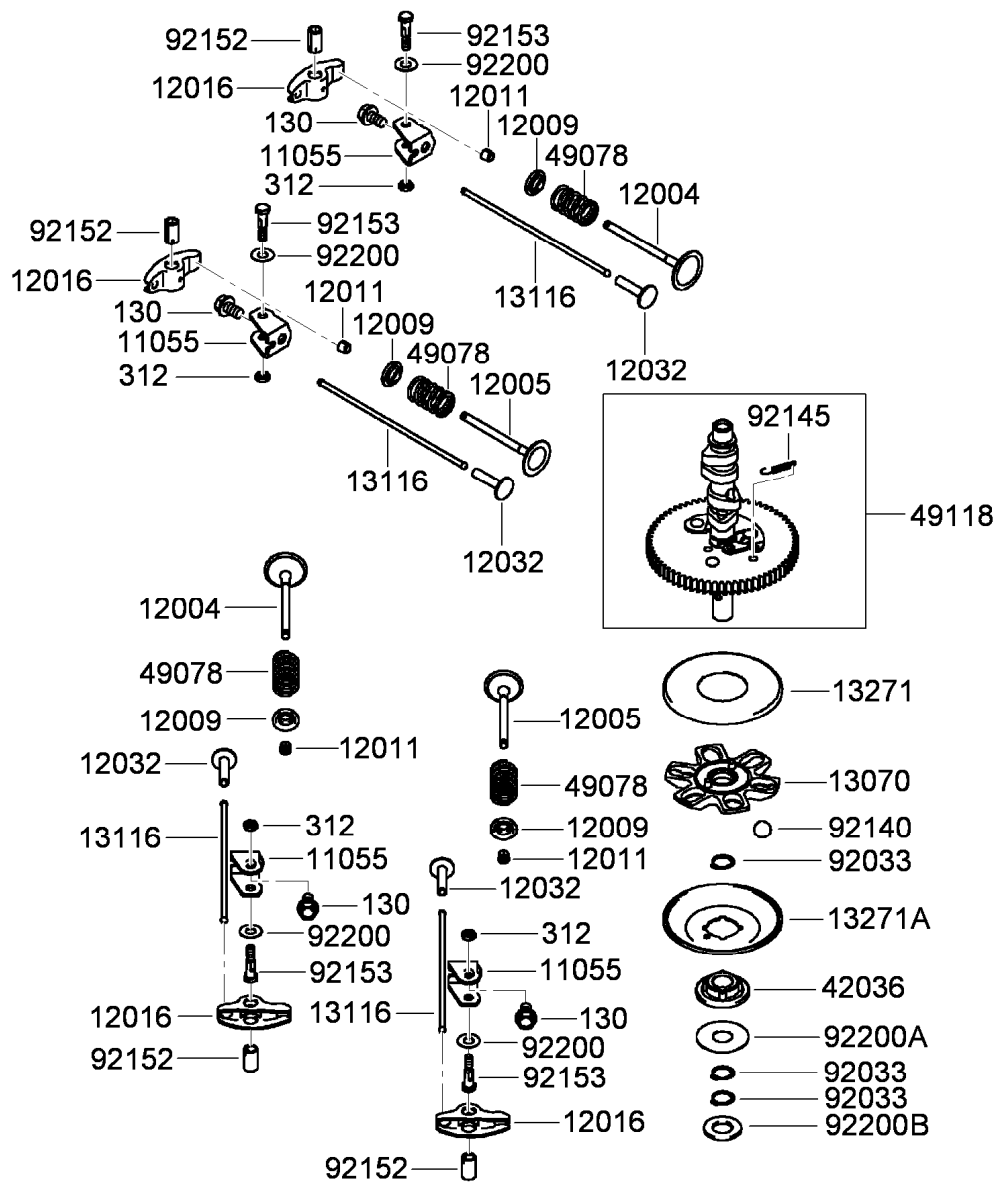
Ref.	Part Number	Qty.	Description
32154	119-5811	3	Pipe
32155	119-5812	1	Pipe-Breather
49015	119-5813	1	Cover-Crankcase
49120	119-5814	1	Crankcase ASM
59071	95-9715	1	Joint
92043	KW10694	6	Pin
92049	114-8650	4	Seal-Oil, Rv C2 (6X11X10.2)
92049A	119-5816	1	Seal-Oil, So (8X14X5) Hs
92049B	119-5817	1	Seal-Oil, Sd (35X48X8) R Hs
92049C	119-5818	1	Seal-Oil (38X62X8) Mtclv
92066	119-5819	1	Plug
92066A	119-5820	2	Plug
92104	119-5821	1	Gasket-Liquid (Tb1217H)
92153	114-8655	6	Bolt (6X12)
92153A	114-8656	10	Bolt (8X50)





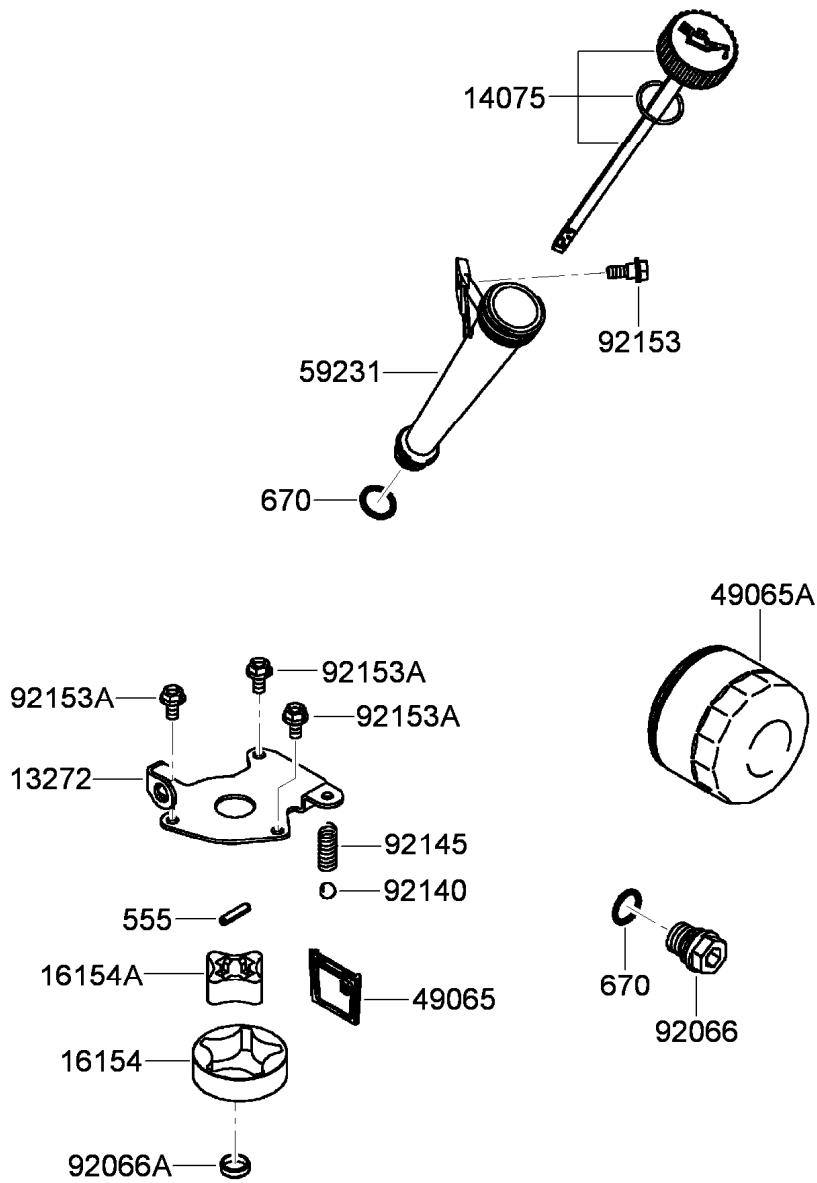
## Piston and Crankshaft Assembly

<i>Ref.</i>	<i>Part Number</i>	<i>Qty.</i>	<i>Description</i>
13001	119-5824	2	Piston-Engine
13002	119-5825	2	Pin-Piston
13008	119-5826	2	Piston Ring Set
13025	119-5827	1	Piston Ring Set, L (0.5)
13029	119-5828	1	Piston-Engine, L (0.5)
13031	119-5829	1	Crankshaft ASM
13251	119-5830	2	Connecting Rod ASM
92033	119-5831	4	Ring-Snap
92151	115-6565	4	Bolt (6X35)



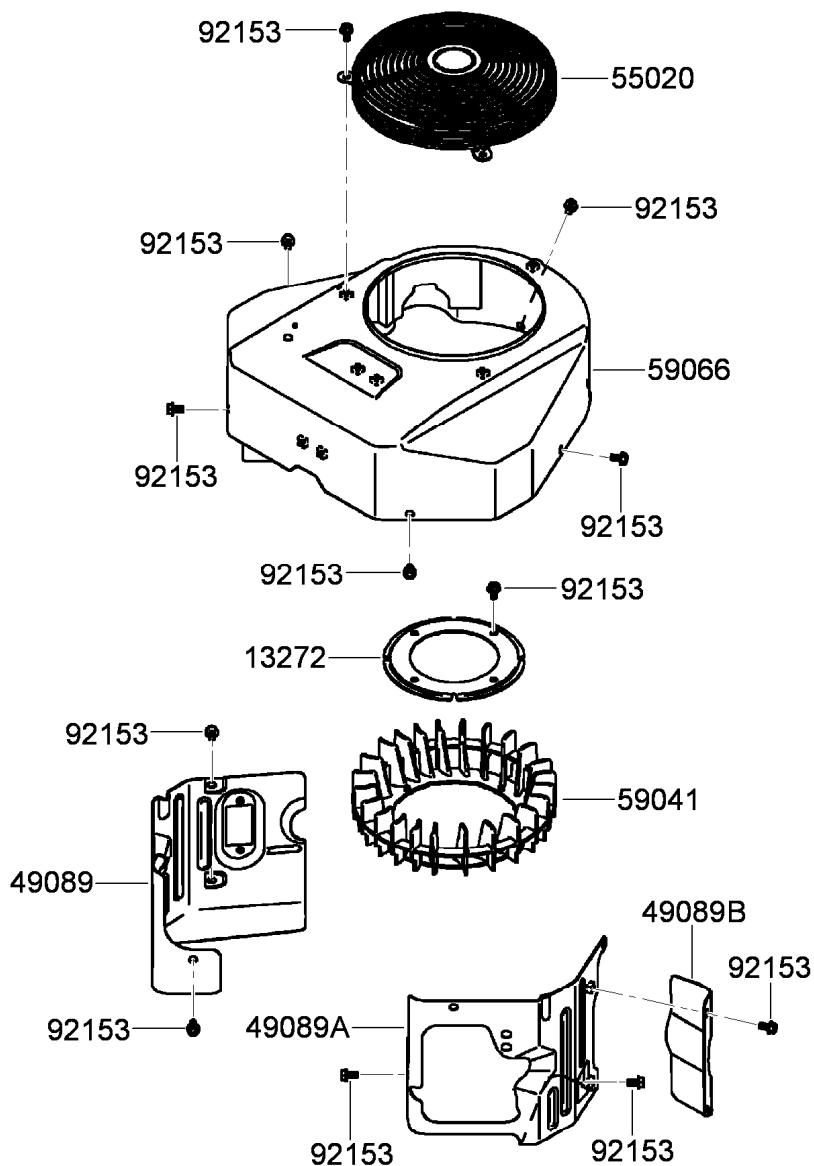
## Valve and Camshaft Assembly

Ref.	Part Number	Qty.	Description	Ref.	Part Number	Qty.	Description
130	119-5845	4	Bolt-Flanged (8X14)	13271A	114-8672	1	Plate-Governor
312	119-5846	4	Nut-Hex (6Mm)	42036	114-8673	1	Sleeve
11055	119-5832	4	Bracket	49078	119-5838	4	Spring-Valve, Engine (In)
12004	119-5833	2	Valve-Intake	49118	119-5839	1	Camshaft ASM
12005	119-5834	2	Valve-Exhaust	92033	114-8675	3	Ring-Snap
12009	108-2525	4	Retainer-Spring, Valve	92140	114-8676	6	Ball
12011	95-9744	8	Collet	92145	114-8677	1	Spring
12016	119-5835	4	Arm-Rocker	92152	119-5840	4	Collar
12032	108-2527	4	Tappet	92153	119-5841	4	Bolt (6X29.5)
13070	119-5836	1	Guide-Governor	92200	119-5842	4	Washer (8.1X18X0.5)
13116	119-5837	4	Rod-Push	92200A	119-5843	1	Washer (16X42X0.91)
13271	114-8671	1	Plate	92200B	119-5844	1	Washer (16.3X30X2.28)



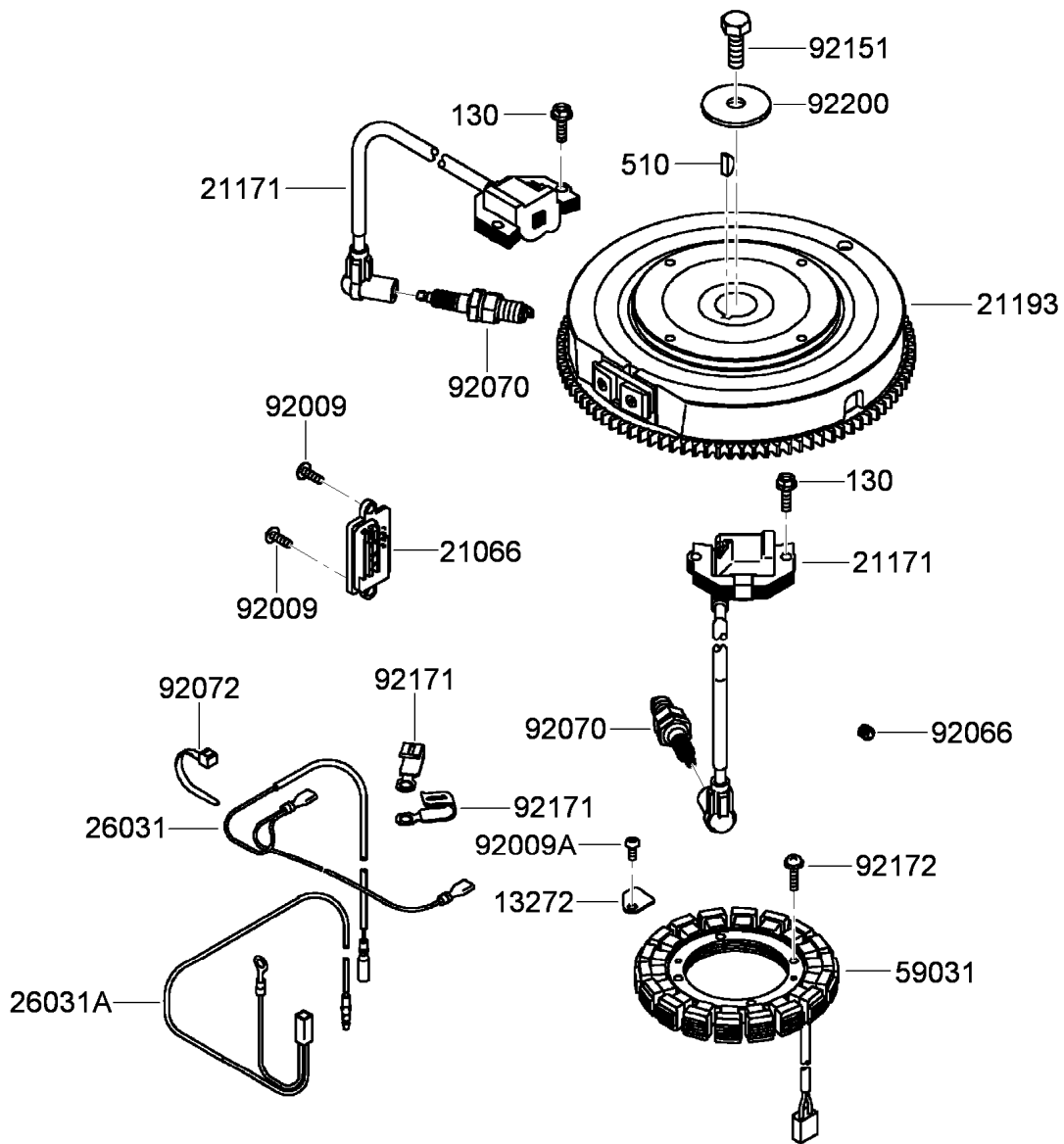
## Lubrication Equipment Assembly

Ref.	Part Number	Qty.	Description
555	119-5859	1	Pin-Spring (4X20)
670	1-413506	2	Discontinued
13272	119-5847	1	Plate-Rotor
14075	119-5848	1	Oil Gauge Cap ASM
16154	119-5849	1	Rotor-Pump, Outer
16154A	119-5850	1	Rotor-Pump, Inner
49065	119-5851	1	Filter-Oil
49065A	119-5852	1	Filter-Oil
59231	119-5853	1	Tube-Filler, Oil
92066	119-5854	1	Plug
92066A	119-5855	1	Plug
92140	119-5856	1	Ball
92145	119-5857	1	Spring
92153	119-5858	1	Bolt
92153A	115-6419	3	Bolt (6X12)



## Cooling Equipment Assembly

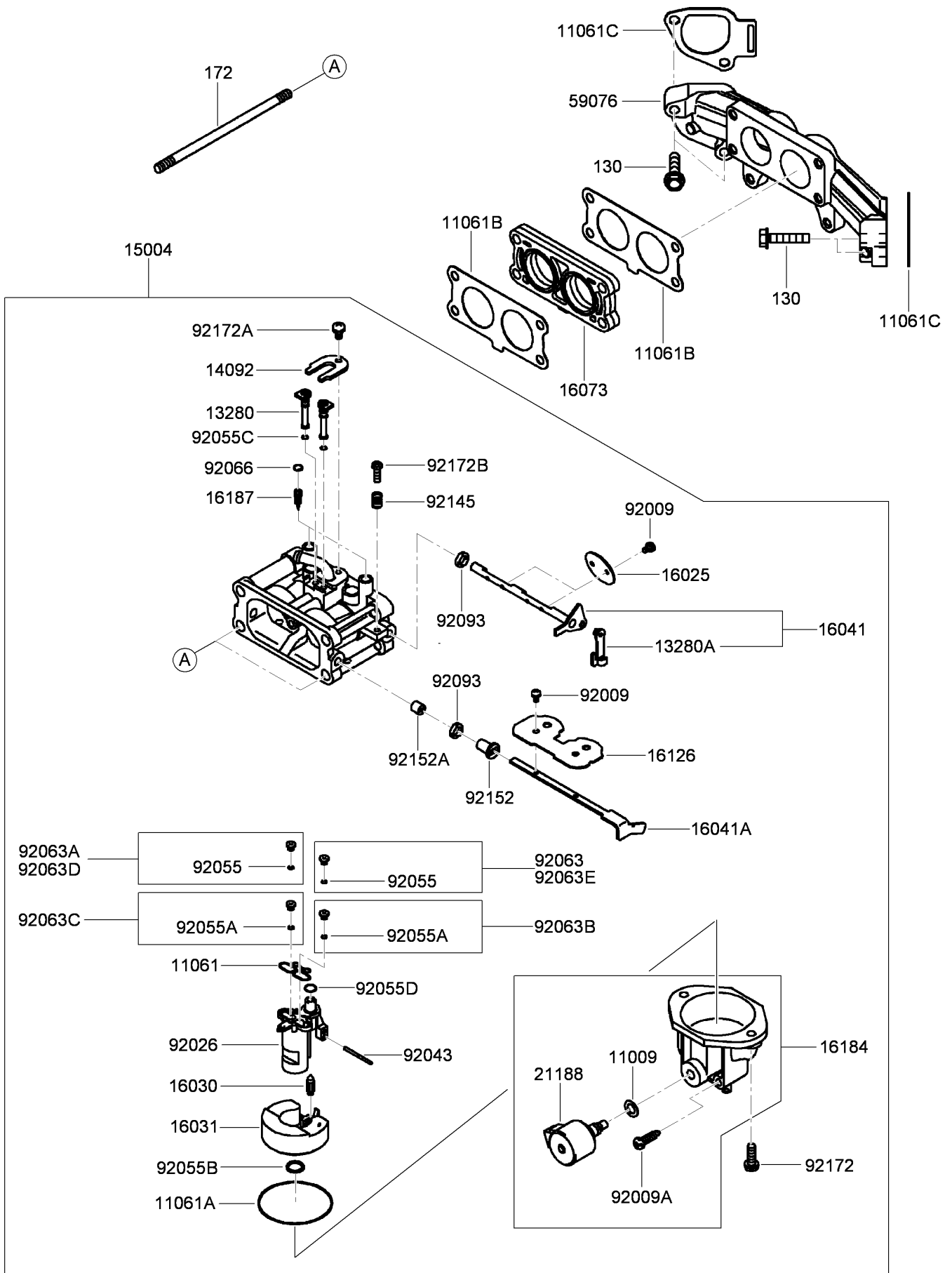
<i>Ref.</i>	<i>Part Number</i>	<i>Qty.</i>	<i>Description</i>
13272	119-5860	1	Plate-Fan
49089	119-5862	1	Shroud-Engine
49089A	119-5863	1	Shroud-Engine
49089B	119-5864	1	Shroud-Engine
55020	119-5865	1	Guard
59041	119-5867	1	Fan
59066	119-5868	1	Housing-Fan
92153	114-8655	18	Bolt (6X12)



## Electric Equipment Assembly

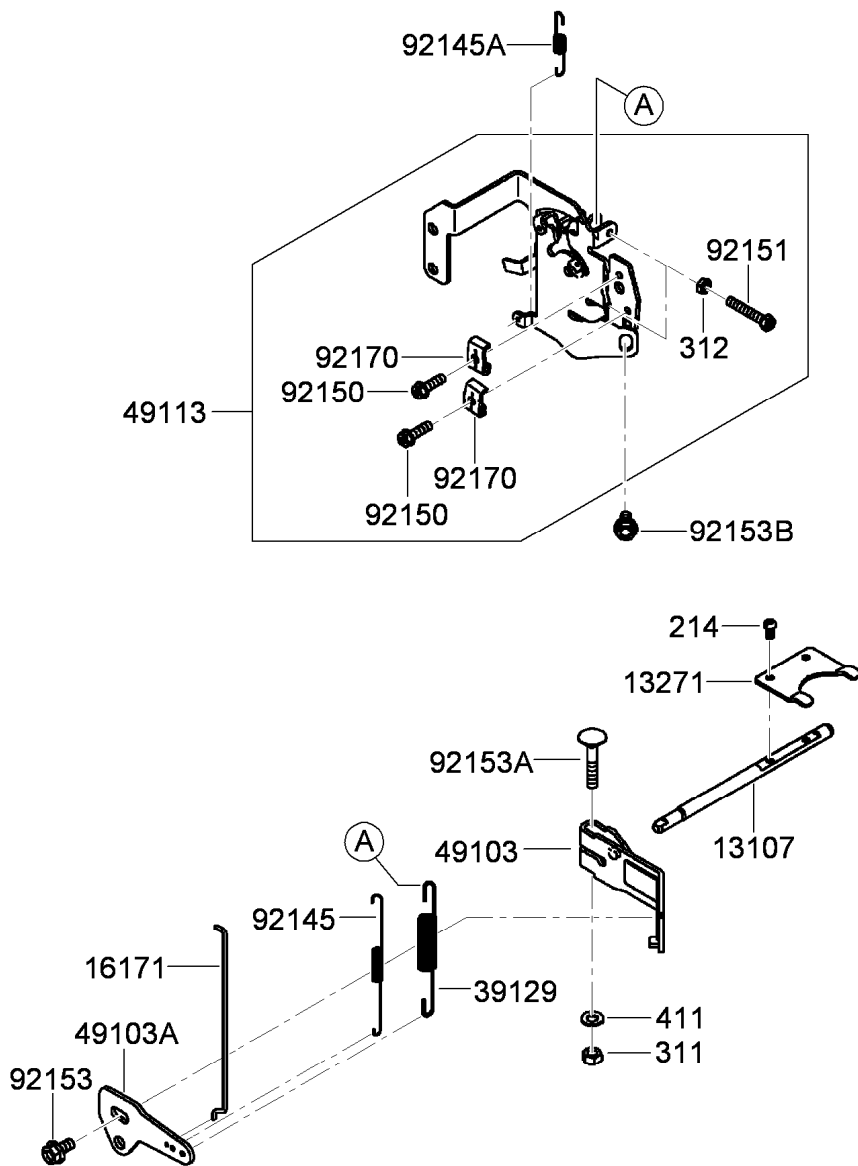
<i>Ref.</i>	<i>Part Number</i>	<i>Qty.</i>	<i>Description</i>	<i>Ref.</i>	<i>Part Number</i>	<i>Qty.</i>	<i>Description</i>
130	95-9893	4	Bolt-Flanged (6X20)	92009	119-5879	2	Screw
510	KW10163	1	Key-Woodruff	92009A	95-9716	1	Screw
13272	119-5870	1	Plate	92066	119-5820	1	Plug
21066	120-7356	1	Regulator-Voltage	92070	92-2153	2	Spark Plug
21171	119-5872	2	Ignition Coil ASM	92072	115-6585	1	Band
21193	119-5874	1	Flywheel ASM	92151	115-6408	1	Bolt (12X30)
26031	119-5876	1	Harness	92171	115-8665	2	Clamp
26031A	119-5877	1	Harness	92172	115-4030	4	Screw (5X20)
59031	120-7355	1	Coil-Charging	92200	115-4031	1	Washer (12.2X46X3)

# Carburetor Assembly



## Carburetor Assembly (continued)

<i>Ref.</i>	<i>Part Number</i>	<i>Qty.</i>	<i>Description</i>	<i>Ref.</i>	<i>Part Number</i>	<i>Qty.</i>	<i>Description</i>
130	119-5940	4	Bolt-Flanged (6X30)	92009A	119-5917	1	Screw-Drain
172	119-5941	2	Bolt-Stud (6X115)	92026	119-5918	1	Spacer
11009	119-5895	1	Gasket	92043	119-5919	1	Pin-Float
11061	119-5896	1	Gasket	92055	119-5920	1	O-Ring
11061A	119-5897	1	Gasket	92055A	119-5921	2	O-Ring
11061B	119-5898	2	Gasket-Carburetor/Manifold	92055B	132-8667	1	O-Ring
11061C	119-5899	2	Gasket-Manifold	92055C	119-5923	2	O-Ring
13280	119-5901	2	Holder	92055D	119-5924	1	O-Ring
13280A	119-5902	1	Holder	92063	119-5926	1	Jet-Main (No. 108)
14092	119-5903	1	Cover	92063A	119-5927	1	Jet-Main (No. 104)
15004	119-5904	1	Carburetor ASM	92063B	119-5928	1	Jet-Main (No. 114)
16025	119-5905	2	Valve-Throttle	92063C	119-5929	1	Jet-Main (No. 110)
16030	119-5906	1	Valve-Float	92063D	119-5930	1	Jet-Main (No. 107)
16031	119-5907	1	Float	92063E	119-5931	1	Jet-Main (No. 111)
16041	119-5908	1	Carburetor Throttle Shaft ASM	92066	119-5932	2	Plug-Expansion
16041A	119-5909	1	Shaft-Choke, Carburetor	92093	119-5933	2	Seal (6.9)
16073	119-5910	1	Insulator	92145	119-5934	1	Spring
16126	119-5911	1	Valve	92152	119-5935	1	Collar
16184	119-5912	1	Float Chamber ASM	92152A	119-5936	1	Collar
16187	119-5913	2	Needle-Jet	92172	119-5937	2	Screw (M5)
21188	119-5914	1	Solenoid	92172A	119-5938	1	Screw (M4)
59076	119-5915	1	Manifold-Intake	92172B	119-5939	1	Screw-Adjust, Throttle
92009	119-5916	6	Screw				

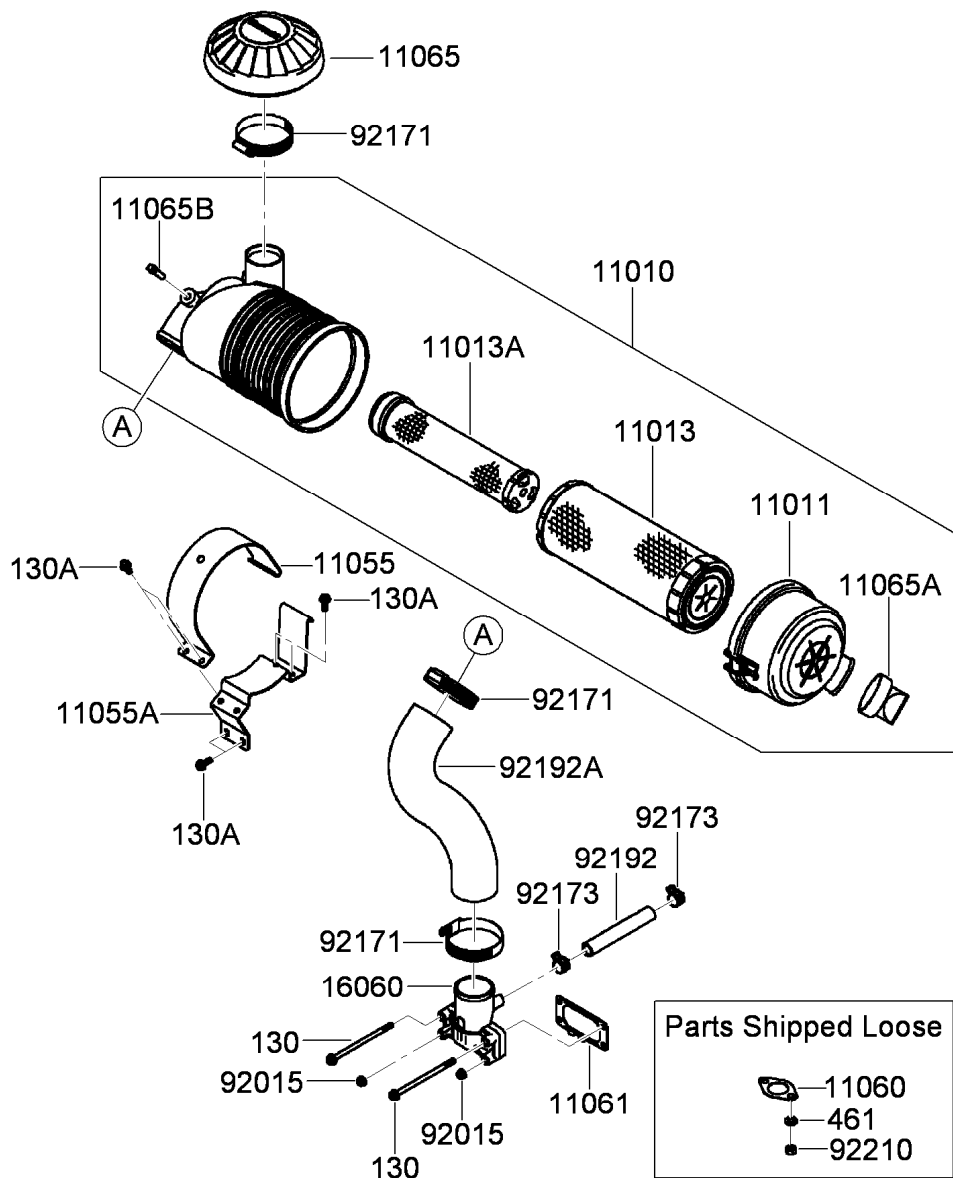


## Control Equipment Assembly

<i>Ref.</i>	<i>Part Number</i>	<i>Qty.</i>	<i>Description</i>
214	115-6422	2	Screw-Pan (4X8)
311	114-8698	1	Nut-Hex (6Mm)
312	119-5894	2	Nut-Hex (5Mm)
411	115-6423	1	Washer-Plain (6Mm)
13107	119-5882	1	Shaft-Governor
13271	119-5883	1	Plate
16171	119-5884	1	Link
39129	119-5885	1	Spring-Governor
49103	119-5886	1	Arm-Governor
49103A	119-5887	1	Arm-Governor

<i>Ref.</i>	<i>Part Number</i>	<i>Qty.</i>	<i>Description</i>
49113	119-5888	1	Control Panel ASM
92145	119-5889	1	Spring
92145A	119-5890	1	Spring
92150	95-9853	2	Bolt (5X18)
92151	119-5891	2	Bolt (5X30)
92153	119-5892	1	Bolt (6X12)
92153A	115-6420	1	Bolt (6X35)
92153B	119-5892	1	Bolt (6X12)
92170	115-6421	2	Clamp

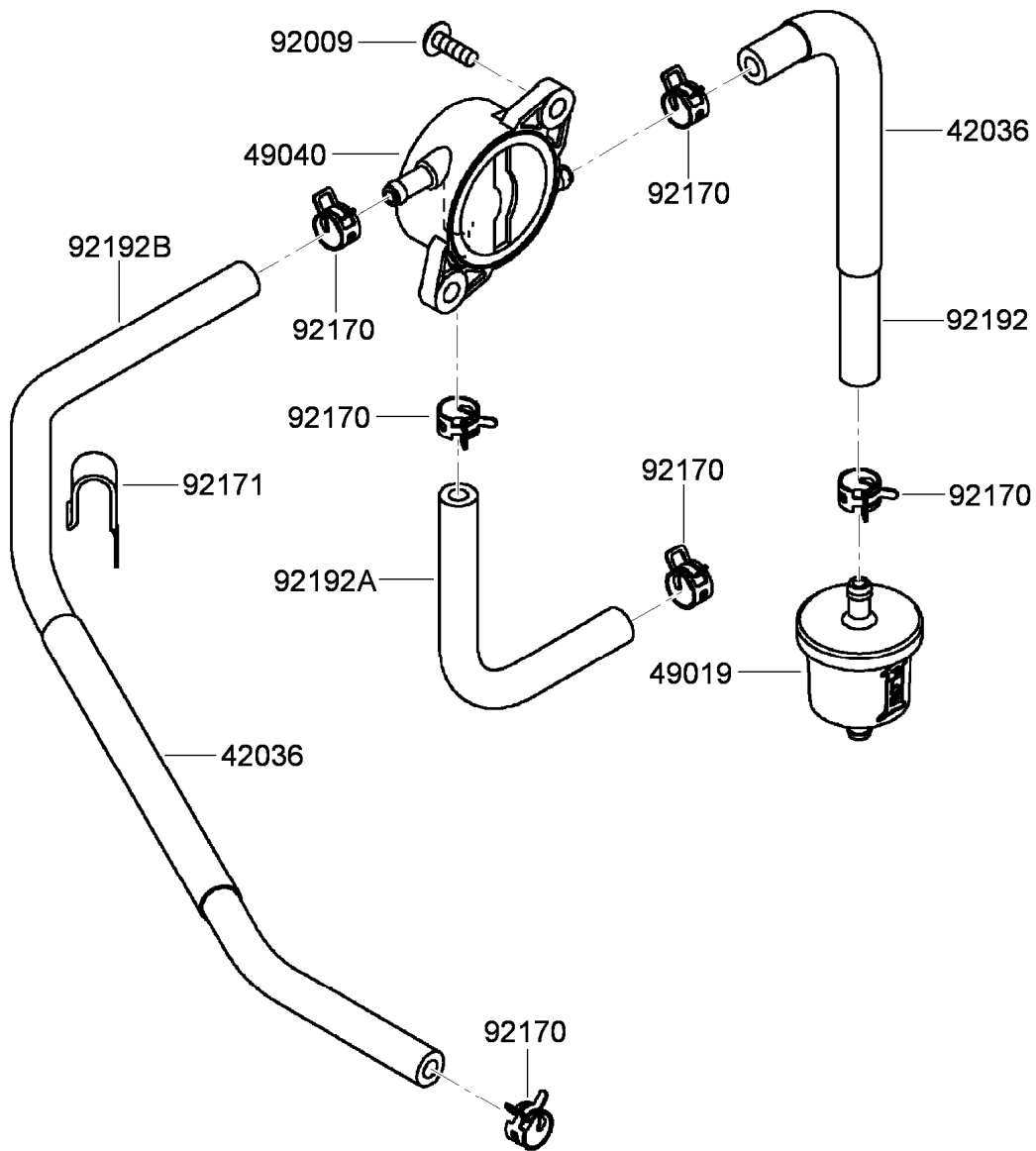




## Air Filter and Muffler Assembly

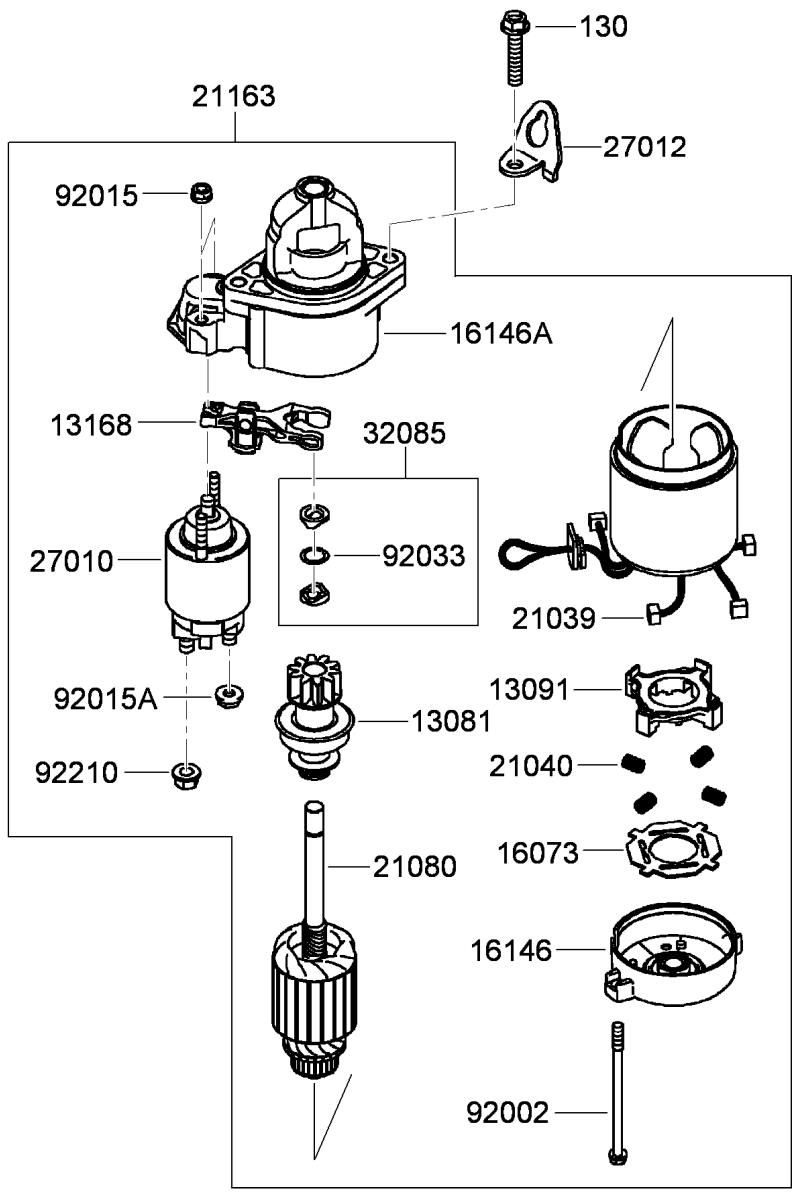
Ref.	Part Number	Qty.	Description
130	119-5960	2	Bolt-Flanged (6X110)
130A	119-5961	6	Bolt-Flanged (6X16)
461	119-5962	4	Washer-Spring (8Mm)
11010	119-5942	1	Air Filter ASM
11011	119-5943	1	Case-Filter, Air
11013	119-5944	1	Element-Filter, Air (Outer)
11013A	119-5945	1	Element-Filter, Air (Inner)
11055	119-5946	1	Bracket
11055A	119-5947	1	Bracket
11060	119-5948	2	Gasket-Muffler
11061	119-5949	1	Gasket

Ref.	Part Number	Qty.	Description
11065	119-5950	1	Cap
11065A	119-5951	1	Cap
11065B	119-5952	1	Cap
16060	119-5953	1	Pipe-Intake
92015	119-5954	2	Nut
92171	119-5955	3	Clamp
92173	119-5956	2	Clamp
92192	119-5957	1	Tube (12.6X18.6X118)
92192A	119-5958	1	Tube
92210	119-5959	4	Nut (M8)



## Fuel Tank and Valve Assembly

Ref.	Part Number	Qty.	Description
42036	119-5963	2	Sleeve
49019	121-4570	1	Filter-Fuel
49040	119-5965	1	Pump-Fuel
92009	119-5879	2	Screw
92170	119-5967	6	Clamp
92171	119-5968	1	Clamp
92192	119-5969	1	Tube (6.35X12.7X185)
92192A	119-5970	1	Tube (6.4X12.7X150)
92192B	119-5971	1	Tube (6.35X12.7X390)

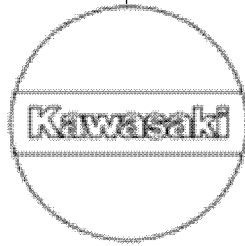


## Starter Assembly

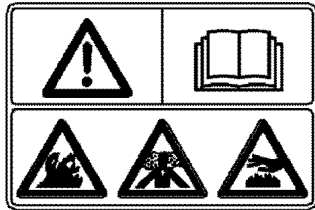
Ref.	Part Number	Qty.	Description
130	119-5991	2	Bolt-Flanged (8X40)
13081	119-5972	1	Clutch ASM
13091	119-5973	1	Holder-Brush
13168	119-5974	1	Lever-Shift
16073	119-5975	1	Insulator
16146	119-5976	1	Cover ASM
16146A	119-5977	1	Cover ASM
21039	119-5978	4	Brush
21040	119-5979	4	Spring-Brush
21080	119-5980	1	Armature

Ref.	Part Number	Qty.	Description
21163	119-5981	1	Starter-Electric
27010	119-5982	1	Switch
27012	119-5983	1	Hook
32085	119-5985	1	Stopper
92002	119-5986	2	Bolt
92015	119-5987	2	Nut
92015A	119-5988	1	Nut
92033	119-5989	1	Ring-Snap
92210	119-5990	1	Nut

56014



56070



## Label Set

<i>Ref.</i>	<i>Part Number</i>	<i>Qty.</i>	<i>Description</i>
56014	119-5992	1	Emblem
56070	115-6469	1	Label-Warning

# Attachments and Accessories

## For 22974 TRX-26 Trencher

<b>Product Name</b>	<b>Model/Part</b>
8in Chain Conversion Kit for 36in Soil Chain .....	117-3480
Crumber Kit .....	22477
24in X 4in Soil Chain .....	22480
24in X 4in Combination Chain .....	22481
24in X 4in Rock Tooth Chain .....	22482
24in X 6in Soil Chain .....	22483
24in X 6in Combination Chain .....	22484
24in X 6in Rock Tooth Chain .....	22485
36in X 4in Soil Chain .....	22486
36in X 4in Combination Chain .....	22487
36in X 4in Rock Tooth Chain .....	22488
36in X 6in Rock Tooth Chain .....	22489
36in X 6in Soil Chain .....	22490
36in X 6in Combination Chain .....	22491
48in x 4in Soil Chain .....	22492
48in x 4in Combination Chain .....	22493
48in x 6in Soil Chain .....	22494
48in x 6in Combination Chain .....	22495
24in X 4in Bullet Chain .....	22496
24in X 6in Bullet Chain .....	22497
36in X 4in Bullet Chain .....	22498
36in X 6in Bullet Chain .....	22499
24in Trencher Boom .....	22975
36in Trencher Boom .....	22976
48in Trencher Boom .....	22977
Bore Drive Attachment .....	22978
Backfill Blade .....	22980
Spark Arrestor Screen .....	94-8157

**Notes:**

**Notes:**



**Count on it.**