

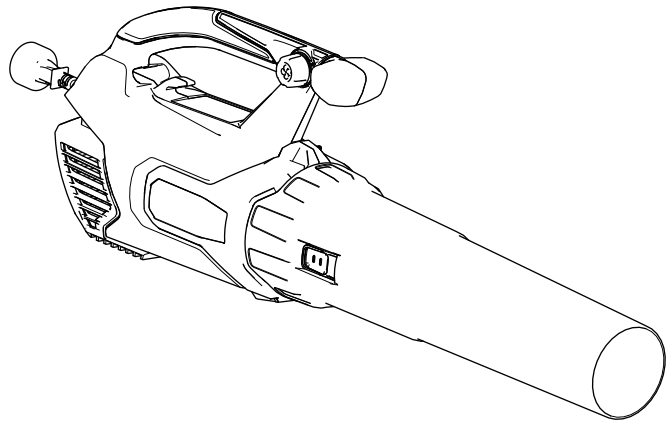


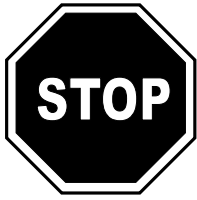
**Count on it.**

**Operator's Manual**

**PowerJet™ F700 Blower**

Model No. 51624—Serial No. 318000001 and Up





If you have questions or problems, call toll free 1-888-367-6631 (US) or 1-888-430-1687 (Canada) before returning this product.

**▲ WARNING**

**CALIFORNIA  
Proposition 65 Warning**

The power cord on this product contains lead, a chemical known to the State of California to cause birth defects or other reproductive harm. Wash hands after handling.

Use of this product may cause exposure to chemicals known to the State of California to cause cancer, birth defects, or other reproductive harm.

# Introduction

This blower is intended to be used by residential homeowners to move leaf-like debris as needed outdoors.

Read this information carefully to learn how to operate and maintain your product properly and to avoid injury and product damage. You are responsible for operating the product properly and safely.

You may contact Toro directly at [www.Toro.com](http://www.Toro.com) for product and accessory information, help finding a dealer, complete warranty details, or to register your product.

# Safety

## IMPORTANT SAFETY INSTRUCTIONS

When using an electrical appliance, basic precautions should always be followed, including the following:

### READ ALL INSTRUCTIONS BEFORE USING BLOWER

**WARNING**—To reduce the risk of fire, electric shock, or injury, follow these safety instructions.

To ensure maximum safety, best performance, and to gain knowledge of the appliance, it is essential that you or any other operator of the appliance read and understand the contents of this manual before operating the appliance. Pay particular attention to the safety-alert symbol ▲ which means CAUTION, WARNING or DANGER—personal safety instruction. Read and understand the instruction because it has to do with safety. **Failure to comply with these instructions may result in personal injury, risk of fire, or electrical shock.**

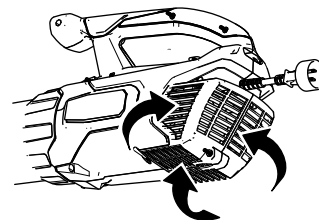
Do not leave the appliance when plugged in. Unplug it from the outlet when not in use and before servicing.

**WARNING**—To reduce the risk of electric shock, **do not** use the appliance on wet surfaces. **Do not** expose it to rain. Store it indoors.

Do not allow the appliance to be used as a toy. Do not use it near children. Do not let children use the appliance.

Use the appliance only as described in this manual. Use only the manufacturer's recommended attachments.

**Dress properly.** Keep hair, loose clothing, fingers, and all parts of the body away from openings and moving parts. Be aware of the position of the blower and the air inlets during operation. Loose clothing, jewelry and hair can be drawn into the inlets and may result in personal injury. Always wear substantial footwear, long pants, hearing protection, and eye protection.



g252752

Do not use the appliance with a damaged electrical cord or plug. If it is not working as it should, has been

dropped, damaged, left outdoors, or dropped into water, return it to a service dealer.

Do not pull or carry the appliance by the cord, use the electrical cord as a handle, close a door on the cord, or pull the cord around sharp edges or corners. Keep the cord away from heated surfaces.

Do not unplug the appliance by pulling on the electrical cord. To unplug the cord, grasp the plug, not the cord.

Do not handle the plug or appliance with wet hands.

This appliance is not rated for cold weather use.

Do not put any object into the openings. Do not use the appliance with any opening blocked; keep it free of dust, lint, hair, leaves, debris, and anything that may reduce air flow.

Turn off all controls before unplugging the appliance.

Use extra care when cleaning on stairs.

Do not use the appliance in areas where flammable or combustible liquids or fumes may be present.

This appliance is provided with double electrical insulation. Use only identical replacement parts. See instructions for servicing double-insulated appliances.

## SAVE THESE INSTRUCTIONS

## Safety and Instructional Decals



Safety decals and instructions are easily visible to the operator and are located near any area of potential danger. Replace any decal that is damaged or missing.



decal137-9337

137-9337

1. Warning—read the *Operator's Manual*.
2. Electric shock hazard—do not operate in wet conditions.
3. Warning—unplug the machine before servicing or performing maintenance.
4. Thrown object hazard—wear eye protection.
5. Warning—wear hearing protection.
6. Thrown object hazard—keep bystanders away from the machine.
7. Double insulated

# Setup

Register your product at [www.Toro.com](http://www.Toro.com) so that Toro can notify you in the case of a safety or warranty product recall.

## Assembling the Blower

Install the blower tube.

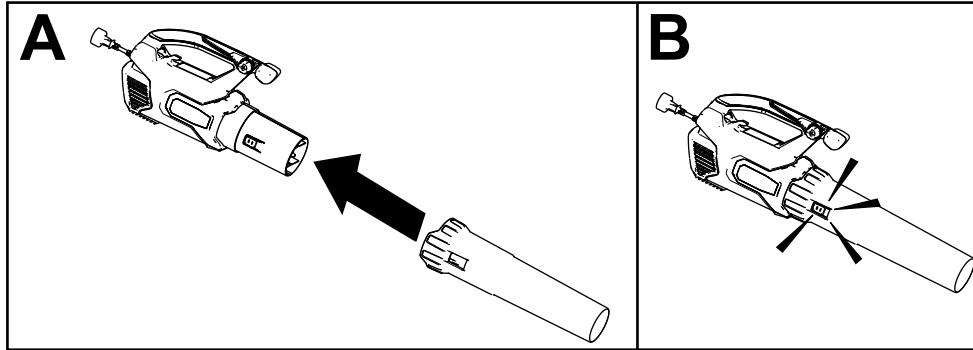


Figure 2

g249284

## Product Overview

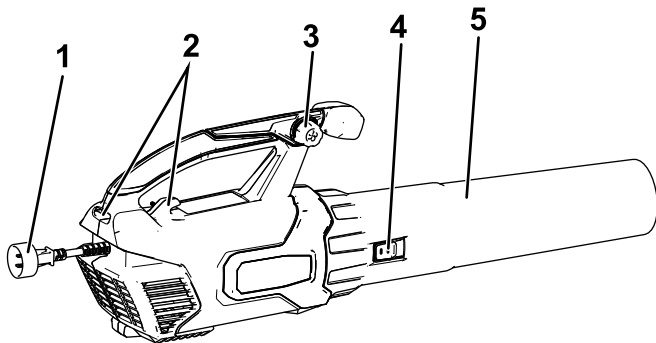


Figure 3

g249285

1. Power plug
2. Cord lock
3. Variable-speed knob
4. Tube latch
5. Blower tube

## Operation

**Important:** This appliance is intended for outdoor, residential use only. Do not use it indoors or for commercial or industrial purposes. This appliance is for household use only.

### **⚠ WARNING**

This appliance can throw debris, possibly causing serious personal injury to you or bystanders.

- Do not blow hard objects such as nails, bolts, or rocks.
- Do not operate the blower near bystanders or pets.
- Use extra care when cleaning debris from stairs or other tight areas.
- Wear safety goggles or other suitable eye protection, hearing protection, long pants, and shoes.

## Connecting to a Power Source

To reduce the risk of electric shock, this appliance has a polarized plug (i.e., one blade is wider than the other). Use only a polarized, UL listed (CSA certified in Canada) extension cord recommended for outdoor use. A polarized plug will fit in a polarized cord only one way. If the plug does not fit fully in the

cord, reverse the cord. If it still does not fit, purchase a polarized extension cord. If you have a polarized extension cord and the extension cord plug does not fit fully into the wall receptacle, reverse the plug. If it still does not fit, contact a qualified electrician to install the proper outlet. Do not change the appliance or extension cord plug in any way.

Use only an extension cord recommended for outdoor use.

**⚠ WARNING**

If you do not fully seat the extension cord on the inlet plug, or if the plug and cord do not fit firmly, the loose plug could lead to overheating and cause a fire, possibly burning you or others.

- Ensure that you fully seat the cord on the plug.
- Check the connection regularly to ensure that the cord is firmly attached.
- Do not use a worn-out or loose extension cord.

Extension Cord Length	Minimum Wire Gage (A.W.G.)
25 feet	16
50 feet	16
100 feet	14
150 feet	12

**Note:** Do not use an extension cord over 150 ft.

**Important:** Check the extension cord frequently during use for holes or cracks in the insulation. Do not use a damaged cord. Do not run the cord through standing water or wet grass.

Secure the extension cord to the appliance using the molded in cord-lock feature.

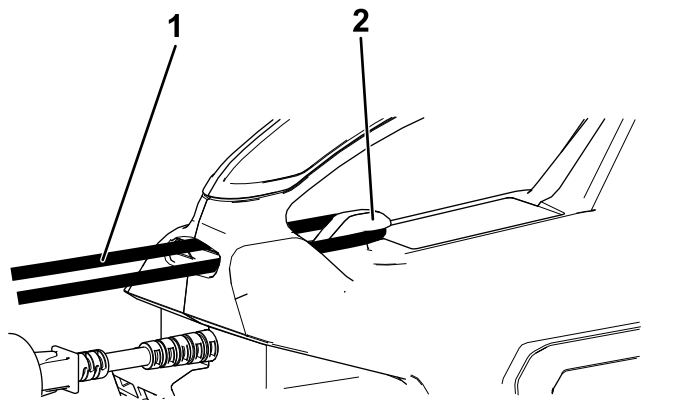


Figure 4

1. Extension cord

2. Cord lock

## Starting, Stopping, and Adjusting the Air Speed

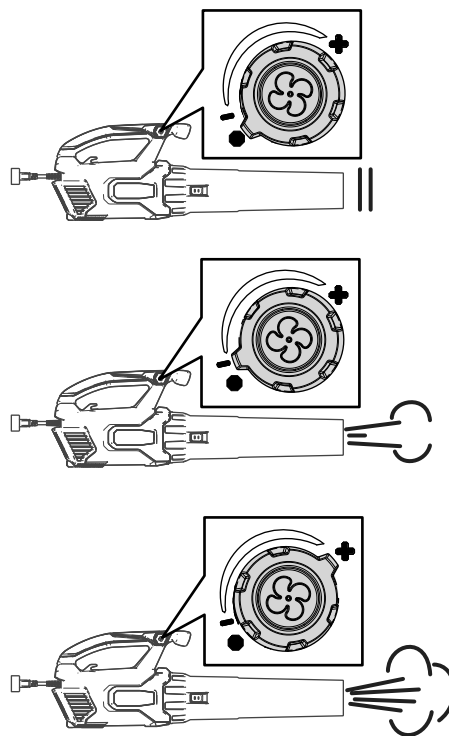


Figure 5

g249327

## Double-insulated Appliances

In a double-insulated appliance, two systems of insulation are provided instead of grounding. No grounding means is provided on a double-insulated appliance, nor should a means for grounding be added to the appliance. Servicing a double-insulated appliance requires extreme care and knowledge of the system, and should be done only by the qualified service personnel at your Authorized Service Dealer. Replacement parts for a double-insulated appliance must be identical to the parts they replace. A double-insulated appliance is marked with the words "Double Insulation" or "Double Insulated." The symbol (square within a square) □ may also be marked on the appliance.

## Lubricating the Machine

You do not need to lubricate the appliance; all necessary lubrication has been completed at the factory for the life of the appliance.

## **Service**

This appliance has no serviceable parts.

## **Storage**

Store the appliance indoors, in a cool dry location, out of reach of children and animals.

## **Troubleshooting**

If your blower fails to run when you turn it on, check the following before contacting your Authorized Service Dealer:

Ensure that the power cord is secured in place at the back of the appliance and that the plug is fully seated.

**Notes:**



**Count on it.**