



Count on it.

Parts Catalog

**Workman® HDX-Auto
Utility Vehicle**

Model No. 07390—Serial No. 315001001 and Up

Model No. 07390H—Serial No. 315001001 and Up



Ordering Replacement Parts

To order replacement parts, please supply the part number, the quantity, and the description of each part desired.

Understanding Reference Numbers

Each identified part in an illustration has a reference number. The reference number for a part also appears in the parts list, along with other information about the part.

This catalog uses two special reference number formats, one to indicate parts in a service assembly and another to indicate the quantity of a given part in an illustration.

Service Assembly Reference Numbers

Parts in service assemblies have reference numbers in the form a:b. The a represents the reference number of the entire service assembly and the b represents a sequential number unique to each part within the service assembly.

For example, a wheel assembly might be identified by reference number 6, the tire by 6:1, the valve by 6:2, and the wheel by 6:3. When you order the assembly identified by reference number 6, you receive all parts identified by reference numbers 6:1, 6:2, and 6:3. However, you may also order any part individually. Reference numbers of this type appear in illustration and in parts lists.

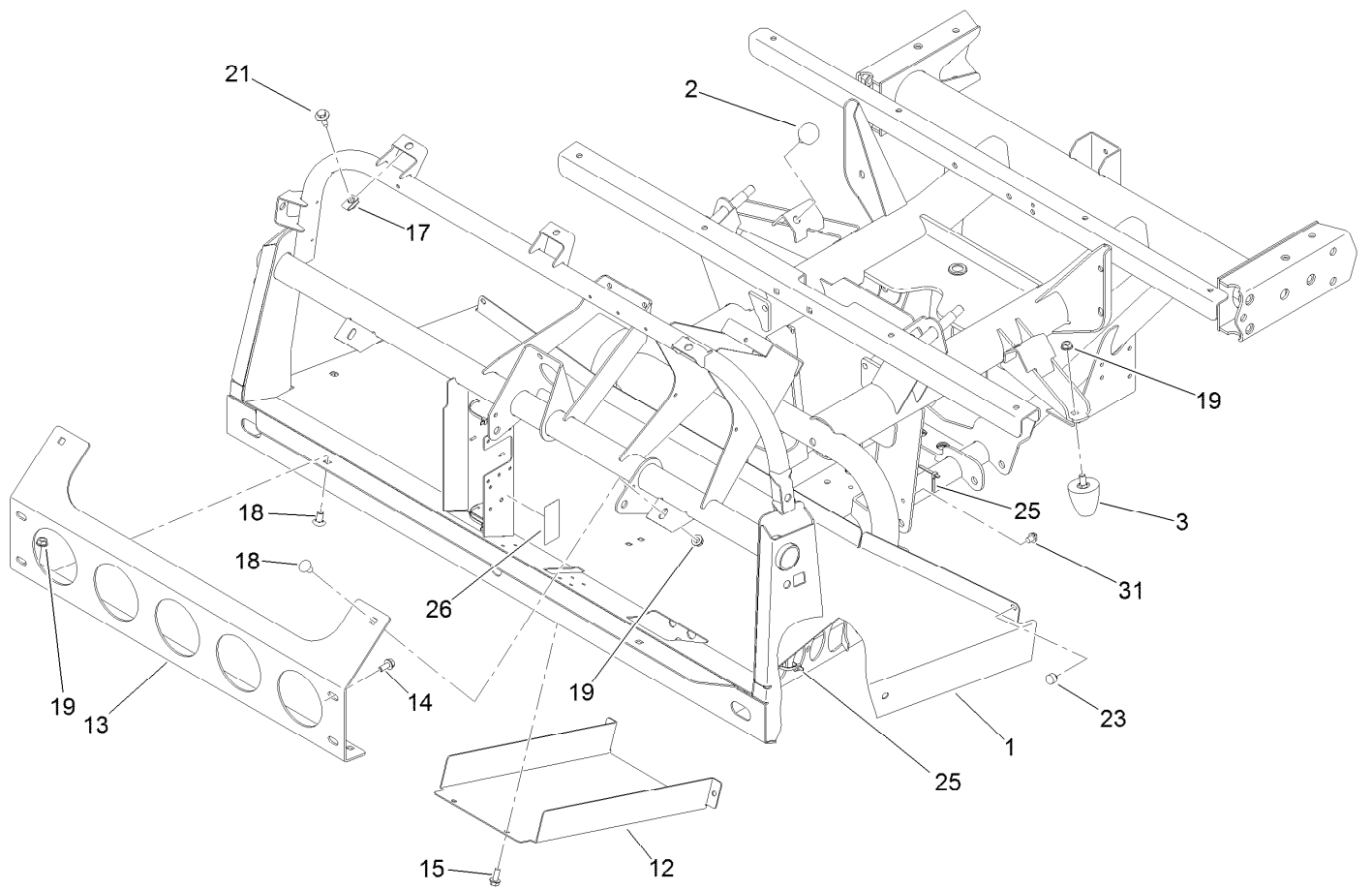
Reference Numbers Indicating Quantity

In an illustration, if a reference number indicates more than one part, the reference number has the form nX y. The n represents the quantity of the part, the X is the multiplication symbol, and the y represents the reference number.

For example, in an illustration, the reference number 2X 37 means that two of the parts identified by reference number 37 are indicated.

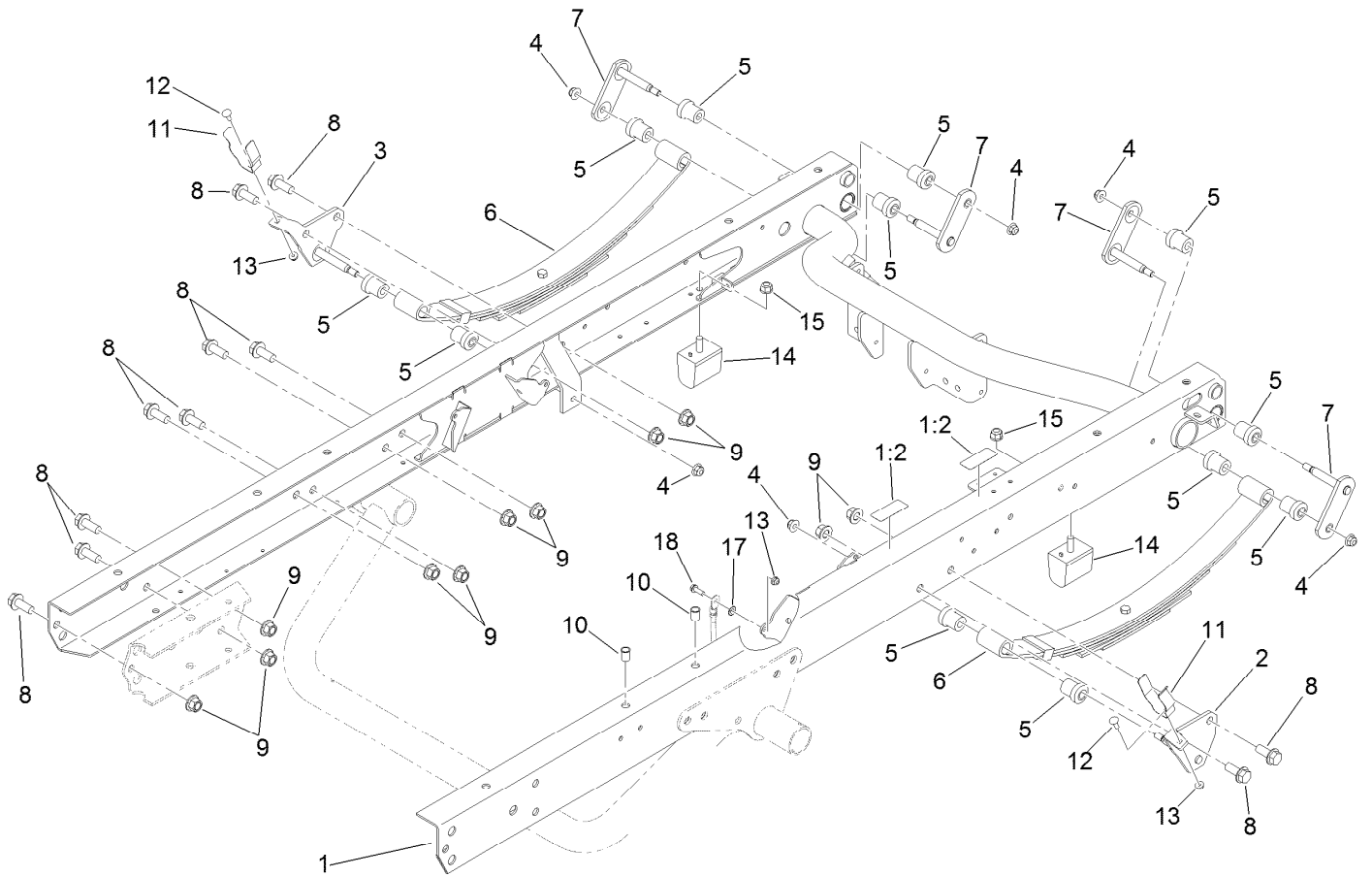
Contents

Front Frame Assembly	4
Rear Frame and Suspension Assembly	5
Rear Axle and Tire Assembly	6
Brake Caliper Assembly No. 127-7424	7
Front and Rear Brake Line Assembly	8
Front Suspension Assembly	9
Steering and Front Wheel Assembly	10
Steering Linkage Assembly	11
Hydraulic Cylinder Assembly No. 112-3217	12
Front Control Arm Assembly	13
Master Cylinder and Brake Pedal Assembly	14
Master Cylinder Assembly No. 104-6782	15
Accelerator Pedal Assembly	16
Center Console Assembly	17
Bumper, Hood and Seat Base Assembly	19
Dash Assembly	20
Steering Hydraulic Assembly	21
Steering Valve Assembly No. 120-4813	22
Seat Assembly	23
Roll-Over Protection System Assembly	24
Full Bed and Side Panel Assembly	25
Engine and Transmission Support Assembly	26
Engine and Exhaust Assembly	27
Cooling System Assembly	29
Radiator and Fan Assembly	30
Clutch Assembly	31
Primary Clutch Assembly No. 121-9739	33
Secondary Clutch Assembly No. 121-9740	34
Speed Limiter Cover Assembly	35
Transmission Assembly	36
Transmission Assembly No. 121-9603	37
Rear Drive Assembly	39
Differential Assembly No. 121-9604	40
Driveshaft Assembly No. 121-9832	41
Battery Installation Assembly	42
Rear Tail Light and Fender Assembly	43
Fuel System Assembly	44
Hydraulic Lift Valve Assembly	45
Control Valve Assembly No. 43-1950	47
Hydraulic Cylinder Assembly No. 106-7939	48
Hydraulic Pump, Tank and Filter Assembly	49
Hydraulic Gear Pump Assembly No. 114-8302	50
Air Cleaner Assembly	51
Air Cleaner Assembly No. 119-9714	52
Electrical Assembly	53
Attachments and Accessories	54



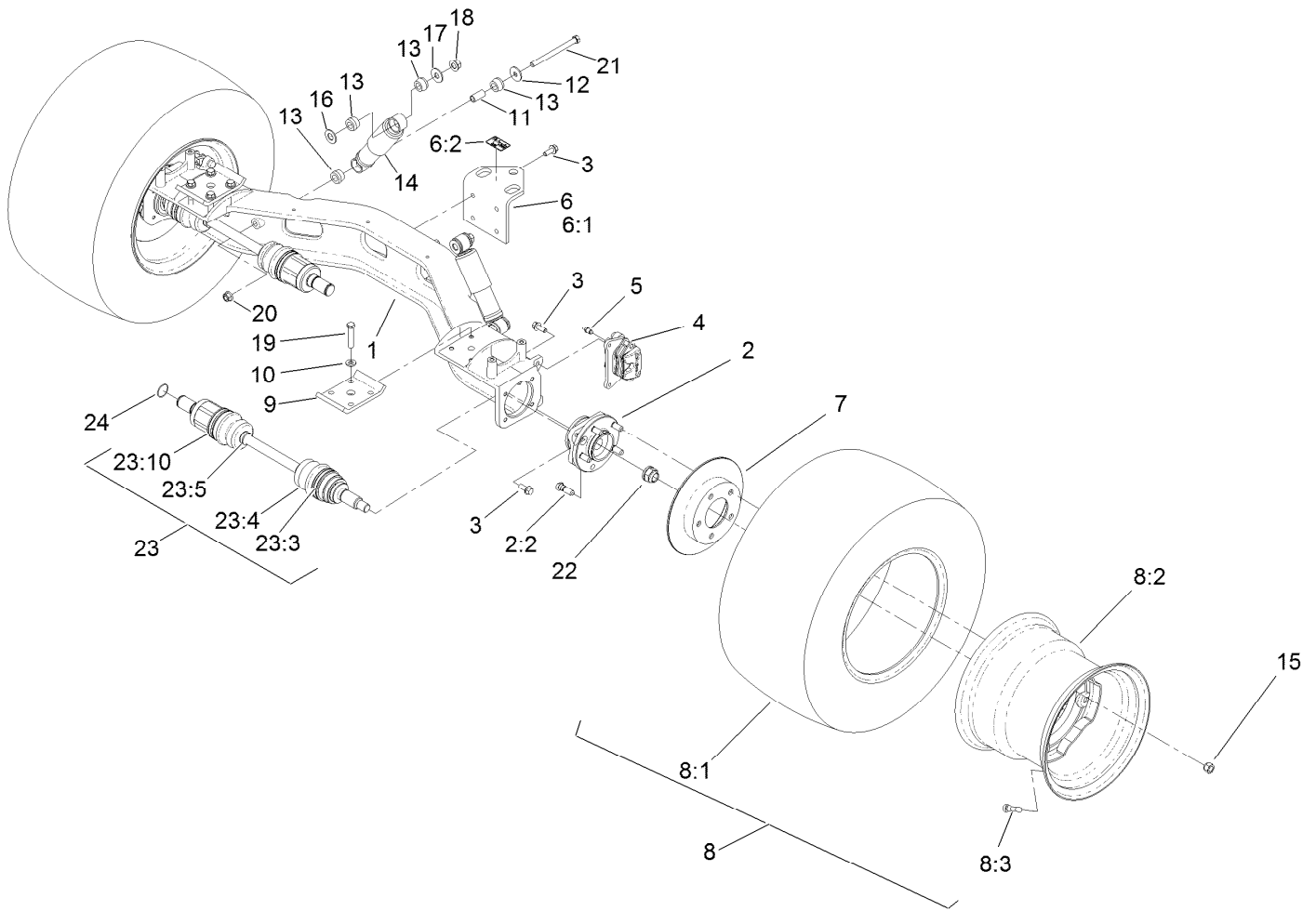
Front Frame Assembly

Ref.	Part Number	Qty.	Description
1	121-9745-03	1	Frame-Front
2	87-2440	2	Bumper-Rubber
3	26-0071	2	Snubber-Rubber
12	106-2427-03	1	Cover
13	114-8272-03	1	Bracket-Bumper
14	3234-5	4	Screw-HHF
15	32144-11	4	Screw-HWHTF
17	94-2413	7	Nut-U
18	3231-21	4	Screw-CARR
19	3290-357	6	Nut-HHF, Whiz
21	114-8418	7	Screw-HWH, Sems
23	107-8042	2	Bumper-Rubber
25	3290-379	7	Tie-Cable
26	127-8626	1	Decal-Electrical
31	32180-030	2	Clip-Tie



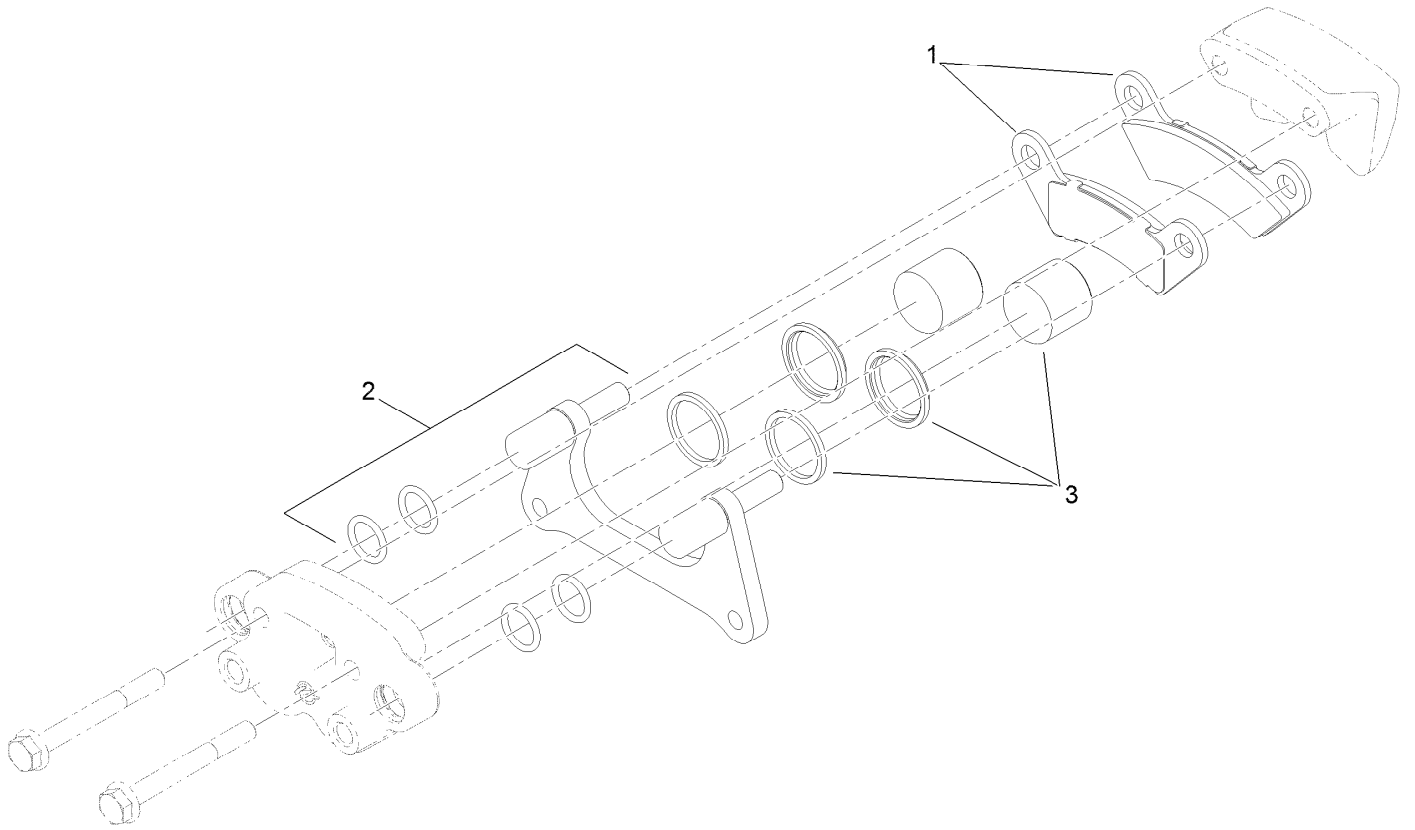
Rear Frame and Suspension Assembly

<i>Ref.</i>	<i>Part Number</i>	<i>Qty.</i>	<i>Description</i>	<i>Ref.</i>	<i>Part Number</i>	<i>Qty.</i>	<i>Description</i>
1	115-7911	1	Rear Frame ASM	9	99-5107	18	Nut-Lock
1:2	115-2047	2	Decal-Surface, Hot	10	32148-9	4	Insert-Nut
2	131-3474	1	Mount-Spring, LH	11	108-3109	2	Retainer-Cylinder
3	131-3472	1	Mount-Spring, RH	12	3229-1	2	Bolt-CARR
4	104-8301	6	Nut-HF, NI	13	104-7201	3	Nut-HF
5	87-4760	12	Bushing-Rubber	14	87-3470	2	Bumper
6	87-1490	2	Spring-Leaf, Rear	15	103-9511	2	Nut-Lock, NI
7	131-3476	4	Shackle	17	3255-8	1	Washer-Lock
8	3234-38	18	Screw-HHF	18	32105-15	1	Screw-HWH



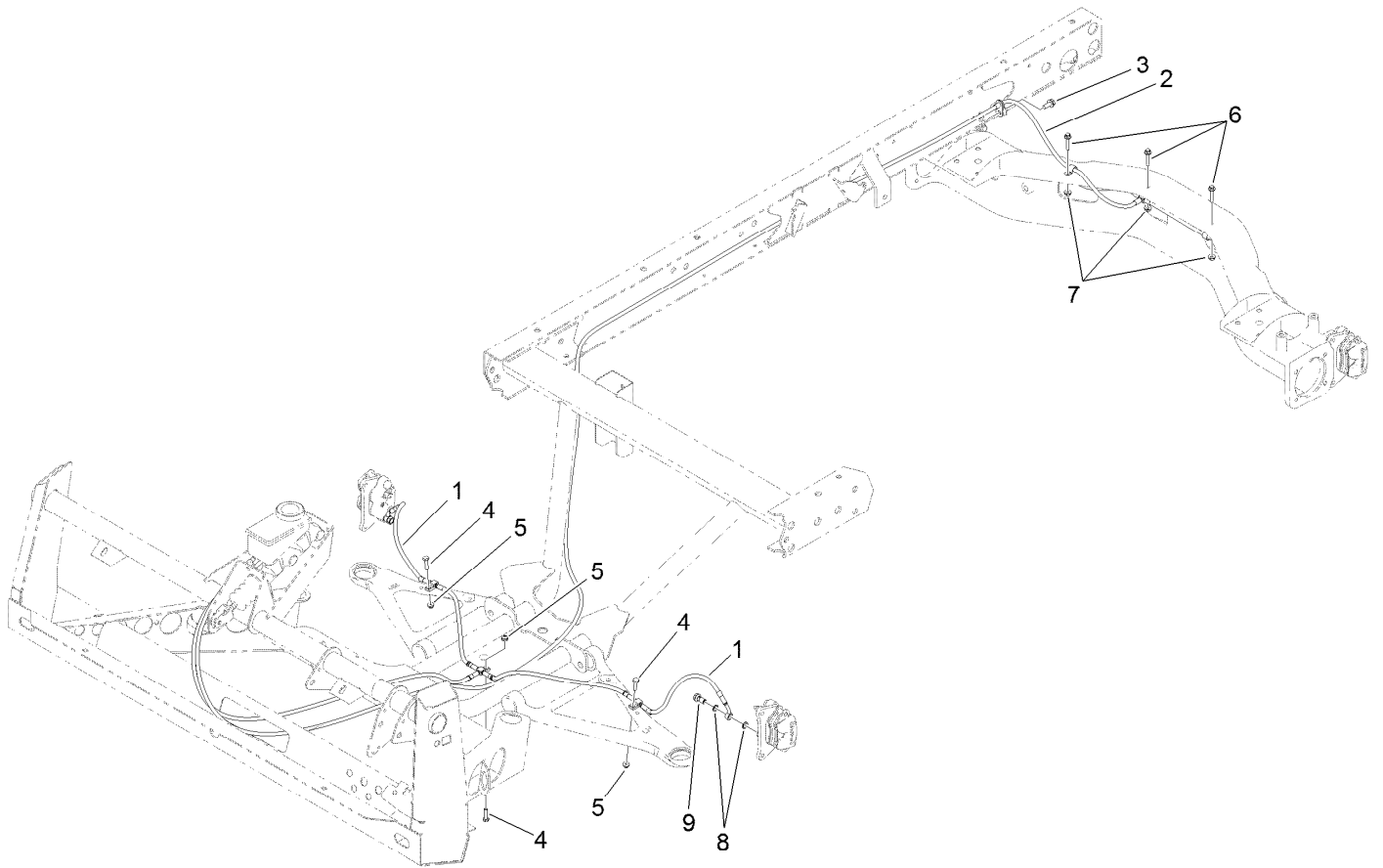
Rear Axle and Tire Assembly

Ref.	Part Number	Qty.	Description	Ref.	Part Number	Qty.	Description
1	119-9515	1	Axle-Rear	12	87-5330	2	Washer
2	121-9751	2	Hub-Bearing, Wheel	13	87-3920	8	Bushing
2:2	121-9752	5	Stud-Wheel	14	87-3110	2	Absorber-Shock
3	3234-11	16	Screw-HHF	15	242-50	10	Nut-Lug
4	127-7424	2	Brake Caliper ASM	16	3256-27	2	Washer-Flat
5	119-9509	2	Screw-Bleed	17	3256-6	2	Washer-Flat
6	115-7742	1	Hitch ASM	18	99-5107	2	Nut-Lock
6:1	92-5951-03	1	Angle-Hitch	19	115-2398	8	Bolt-HH
6:2	115-7740	1	Decal-Load, Towing	20	114-8417	2	Nut-HF, NI
7	114-8351	2	Rotor-Brake	21	114-8424	2	Screw-HH
8	131-6674	2	Tire And Wheel ASM	22	115-2164	2	Nut-Spindle
8:1	131-6673	1	Tire-Rear	23	121-9744	2	Axle ASM
8:2	131-6672	1	Wheel	23:3	107-2894	1	Clamp-Boot
8:3	232-27	1	Stem-Valve	23:4	107-2896	2	Boot
9	87-7470-03	2	Plate-Spring, Clamp	23:5	107-2895	2	Clamp-Boot
10	87-7480	8	Washer	23:10	107-2893	1	Clamp-Boot
11	87-3600	2	Spacer-Absorber, Shock	24	340-64	2	O-Ring



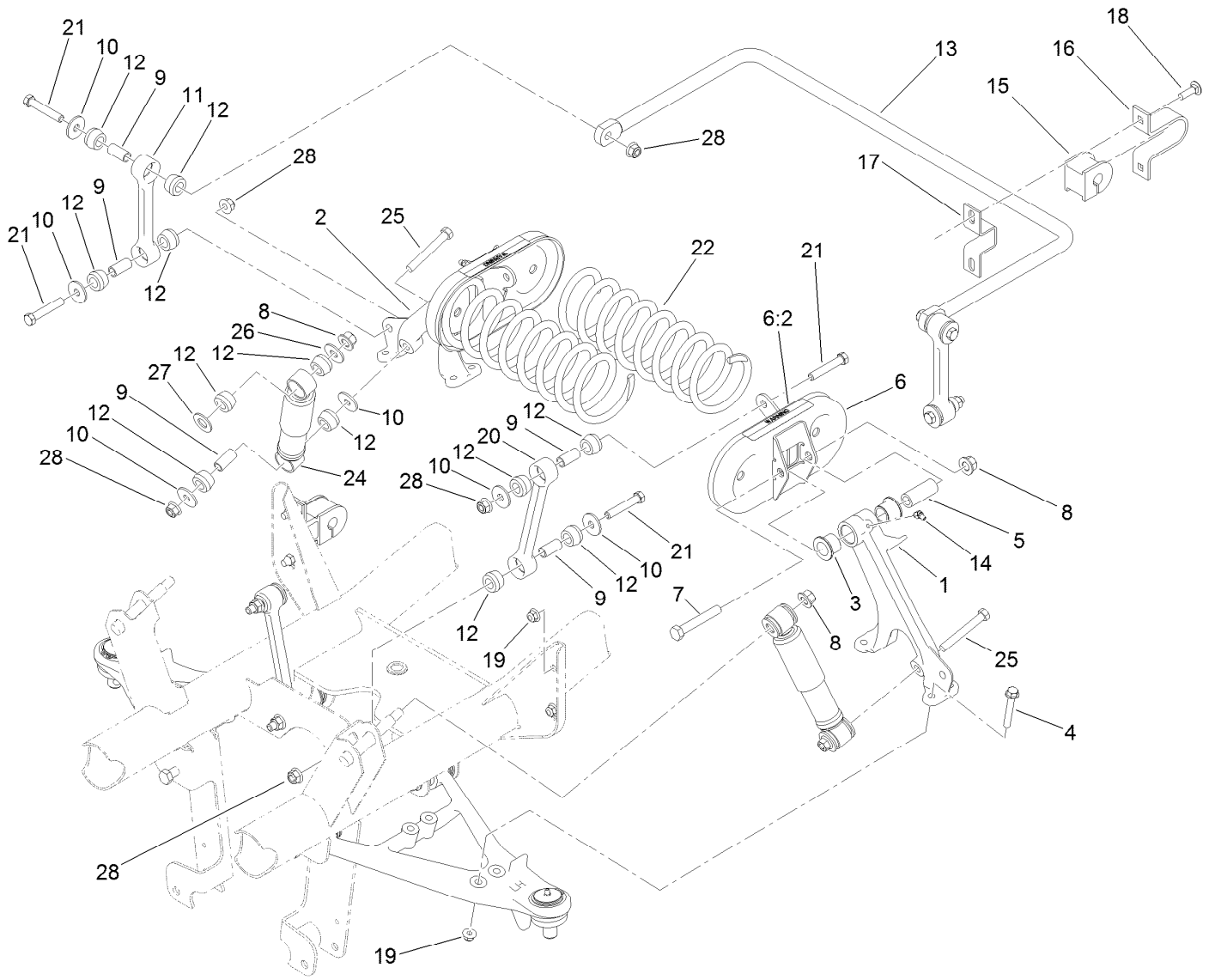
Brake Caliper Assembly No. 127-7424

<i>Ref.</i>	<i>Part Number</i>	<i>Qty.</i>	<i>Description</i>
1	119-9510	1	Pads-Brake
2	119-9511	1	Bracket Kit
3	119-9512	1	Piston Kit



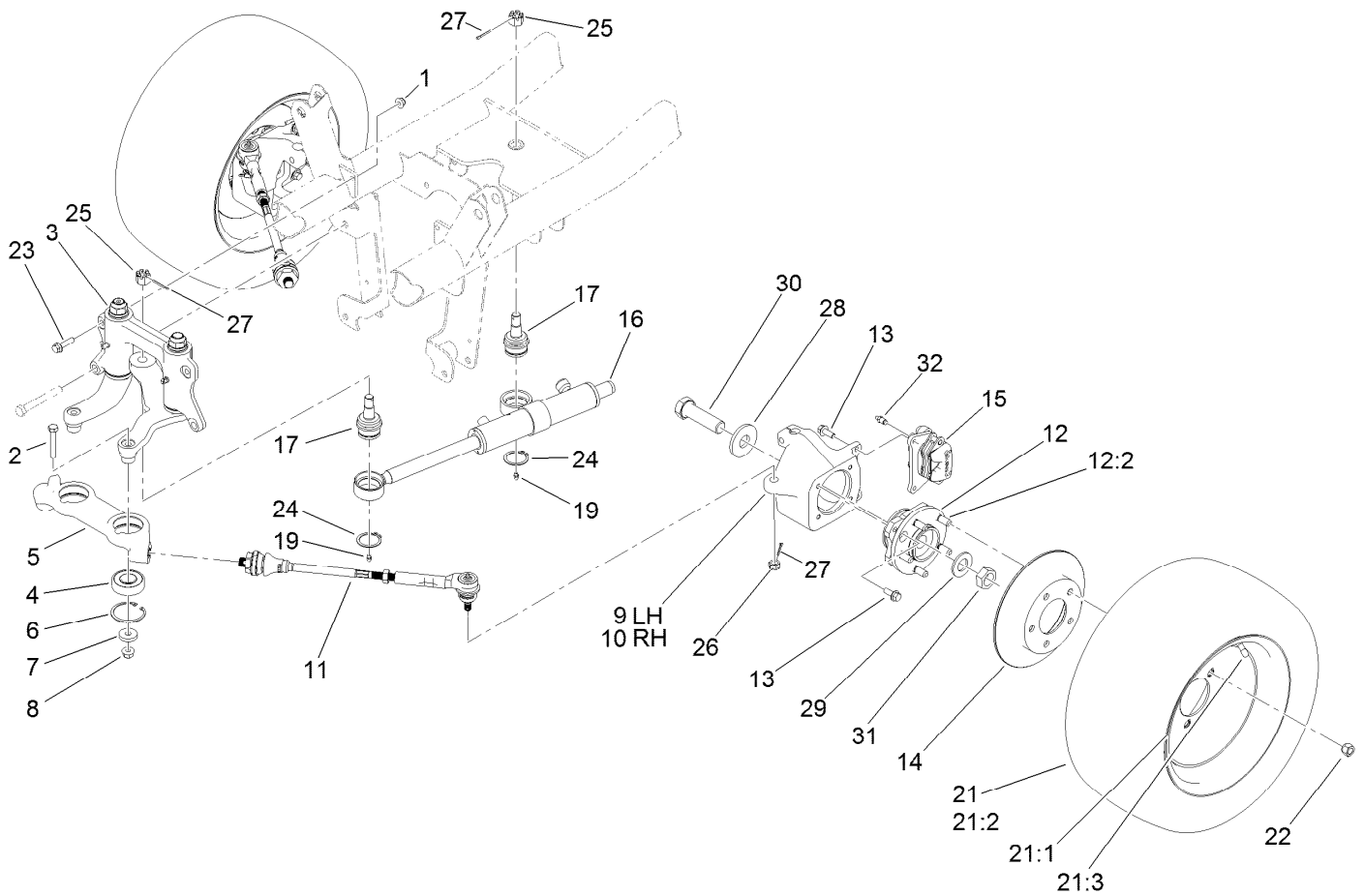
Front and Rear Brake Line Assembly

<i>Ref.</i>	<i>Part Number</i>	<i>Qty.</i>	<i>Description</i>
1	119-9682	1	Front Brake Line ASM
2	119-9681	1	Rear Brake Line ASM
3	32144-11	1	Screw-HWHTF
4	321-6	3	Screw-HH
5	104-7201	3	Nut-HF
6	3234-21	3	Screw-HHF
7	32128-33	3	Nut-HF
8	115-2341	8	Washer-Banjo
9	120-4875	4	Bolt-Flange, Banjo



Front Suspension Assembly

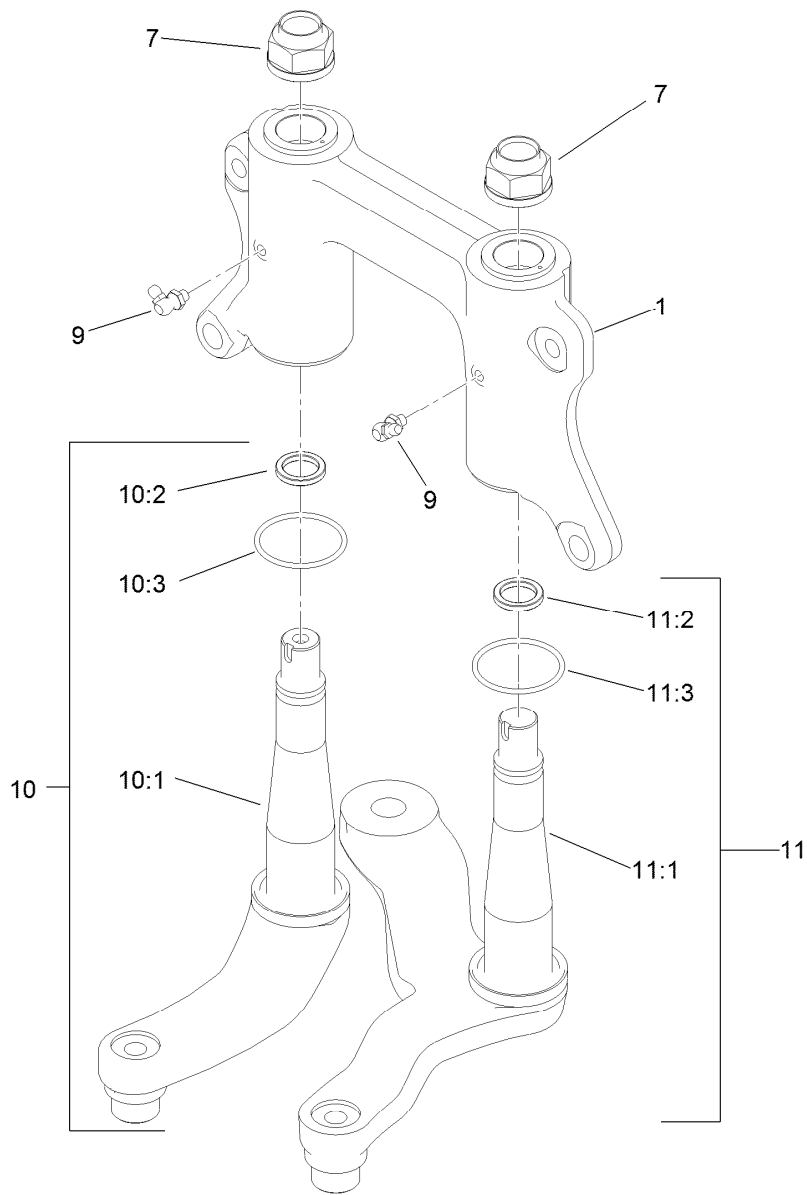
Ref.	Part Number	Qty.	Description	Ref.	Part Number	Qty.	Description
1	87-0160	1	Tower-Control Arm, LH	14	302-11	2	Fitting-Lube, 45 DEG
2	87-0150	1	Tower-Control Arm, RH	15	87-3910	2	Bushing-Rubber
3	33-3090	4	Bushing	16	87-4010-03	2	Clamp-Bar, Sway
4	3234-39	8	Screw-HHF	17	87-3890-03	2	Bracket-Bar, Sway
5	87-2500	2	Sleeve-Spring, Pivot	18	3231-25	4	Bolt-CARR
6	105-7958	2	Spring Cradle ASM	19	104-8301	12	Nut-HF, NI
6:2	93-9879	1	Decal-Warning	20	119-6724	2	Link-Stabilizer
7	325-13	2	Screw-HH	21	324-10	8	Screw-HH
8	99-5107	4	Nut-Lock	22	105-4183-01	2	Spring-Compression
9	87-3600	10	Spacer-Absorber, Shock	24	87-3110	2	Absorber-Shock
10	87-5330	12	Washer	25	324-13	2	Screw-HH
11	119-6725	2	Link, Anti-Sway Bar	26	3256-6	2	Washer-Flat
12	87-3920	24	Bushing	27	3256-27	2	Washer-Flat
13	87-3850-03	1	Bar-Sway, Anti	28	114-8417	10	Nut-HF, NI



Steering and Front Wheel Assembly

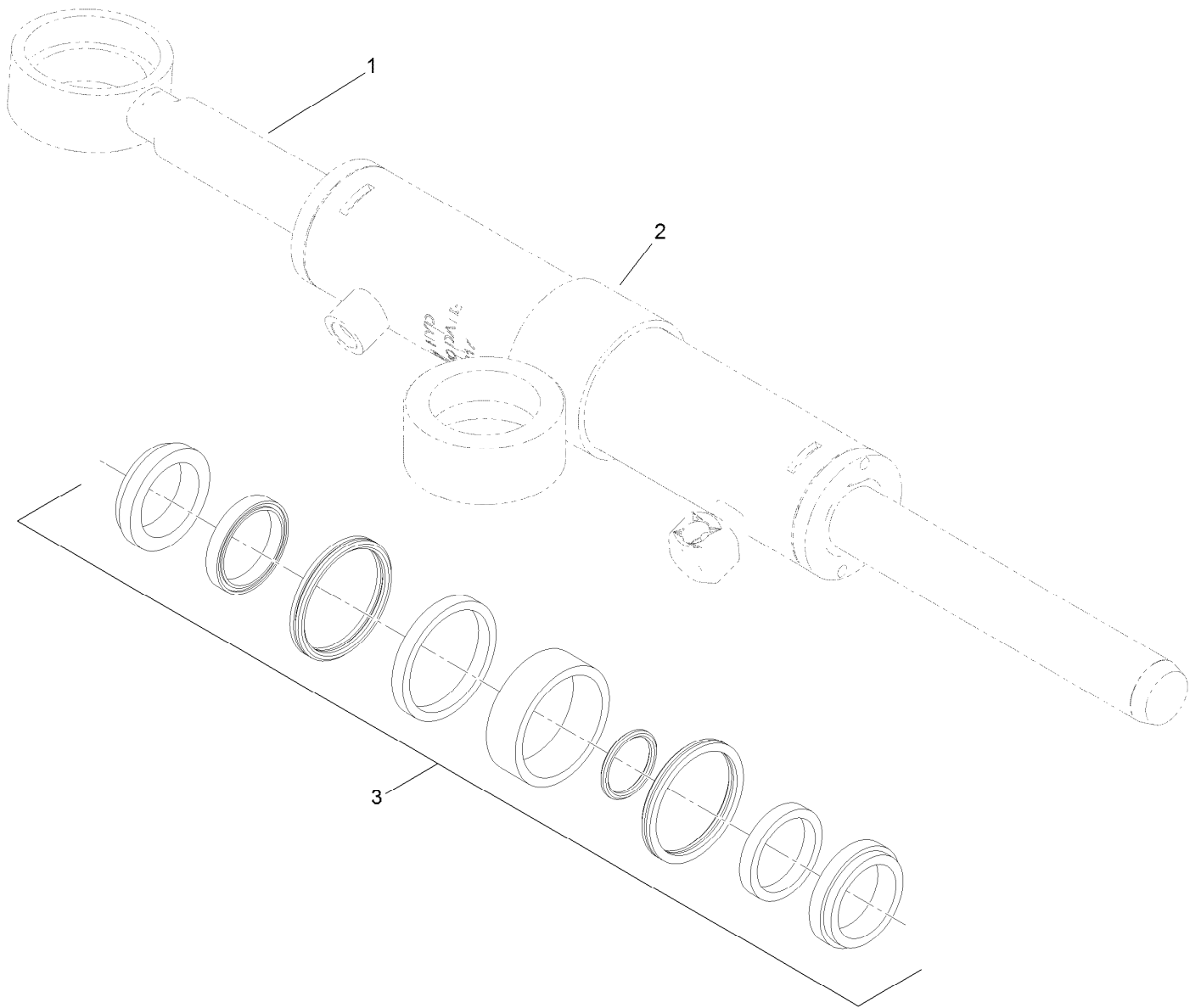
Ref.	Part Number	Qty.	Description	Ref.	Part Number	Qty.	Description
1	104-8301	2	Nut-HF, NI	17	106-6774	2	Joint-Ball
2	324-10	2	Screw-HH	19	302-5	2	Fitting-Grease
3		1	Steering Linkage ASM ●	21	131-6671	2	Tire And Wheel ASM
4	119-9548	2	Bearing-Ball	21:1	131-6669	1	Wheel
5	114-8296	1	Link-Center	21:2	131-6670	1	Tire
6	32120-22	2	Ring-Snap, Internal	21:3	232-27	1	Stem-Valve
7	112843	2	Washer	22	242-50	10	Nut-Lug
8	114-8417	2	Nut-HF, NI	23	114-4681	2	Screw-HHF
9	119-9513	1	Knuckle-LH	24	32151-104	2	Ring-Retaining, External
10	119-9514	1	Knuckle-RH	25	32136-14	2	Nut-Hst
11	114-8356	2	Tie Rod ASM	26	32136-3	2	Nut-SHH
12	121-9751	2	Hub-Bearing, Wheel	27	3272-12	4	Pin-Cotter
12:2	121-9752	5	Stud-Wheel	28	104-0719	2	Washer-Hardened
13	3234-11	12	Screw-HHF	29	3256-62	2	Washer-Flat
14	114-8351	2	Rotor-Brake	30	115-2173	2	Screw-HH
15	127-7424	2	Brake Caliper ASM	31	3296-49	2	Nut-Lock, NI
16	112-3217	1	HYD Cylinder ASM	32	119-9509	2	Screw-Bleed

● Not serviced separately



Steering Linkage Assembly

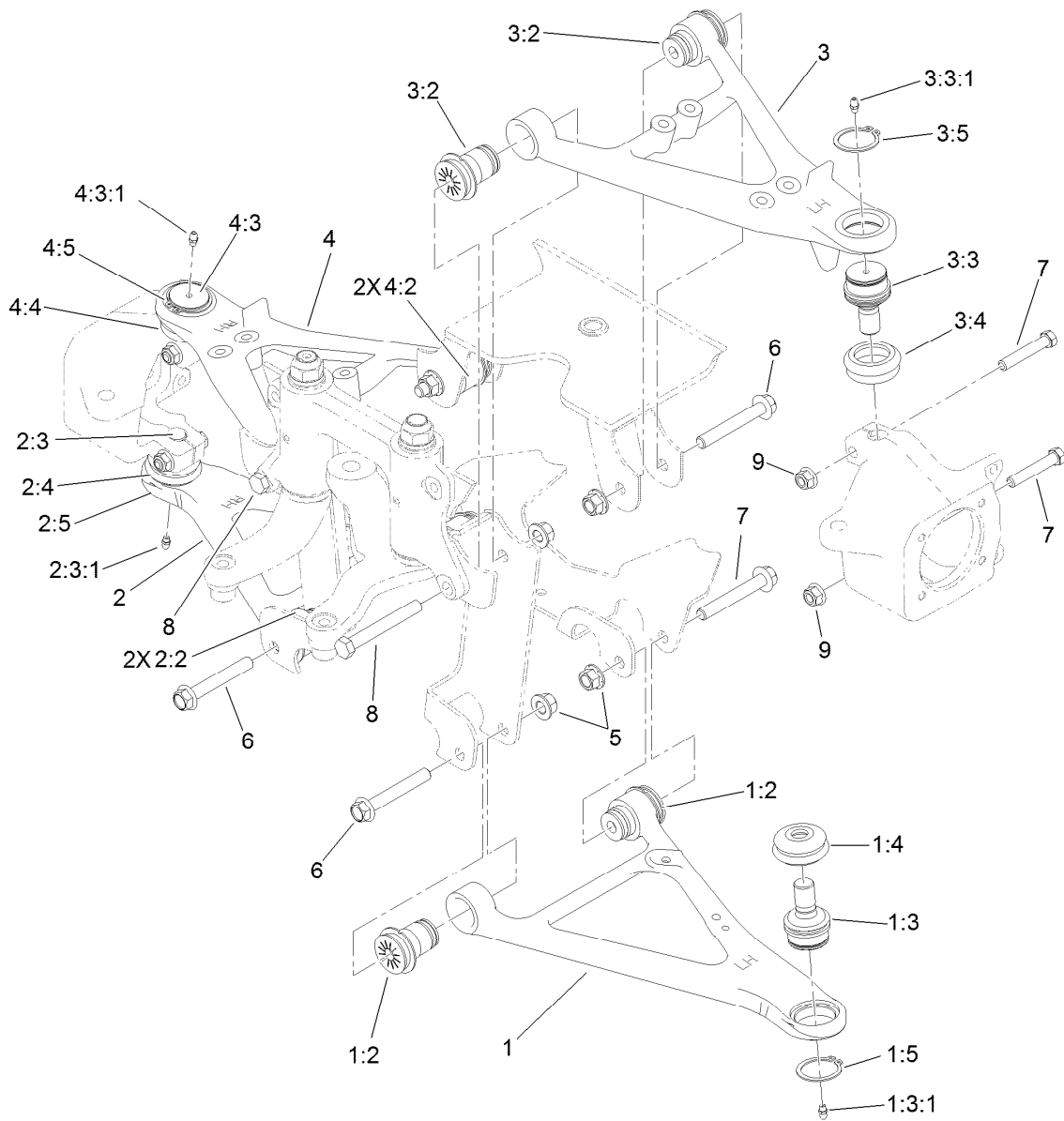
<i>Ref.</i>	<i>Part Number</i>	<i>Qty.</i>	<i>Description</i>
1	132-6767	1	Mount-Pivot, W/Bushings
7	115-2164	2	Nut-Spindle
9	302-60	2	Fitting-Grease
10	132-0794	1	Idler Arm ASM
10:1	132-0792	1	Idler Arm And Thrust Washer ASM
10:2	93-7510	1	Ring-Quad
10:3	131-3499	1	O-Ring
11	132-0795	1	Pitman Arm ASM
11:1	132-0793	1	Pitman Arm And Thrust Washer ASM
11:2	93-7510	1	Ring-Quad
11:3	131-3499	1	O-Ring



Hydraulic Cylinder Assembly No. 112-3217

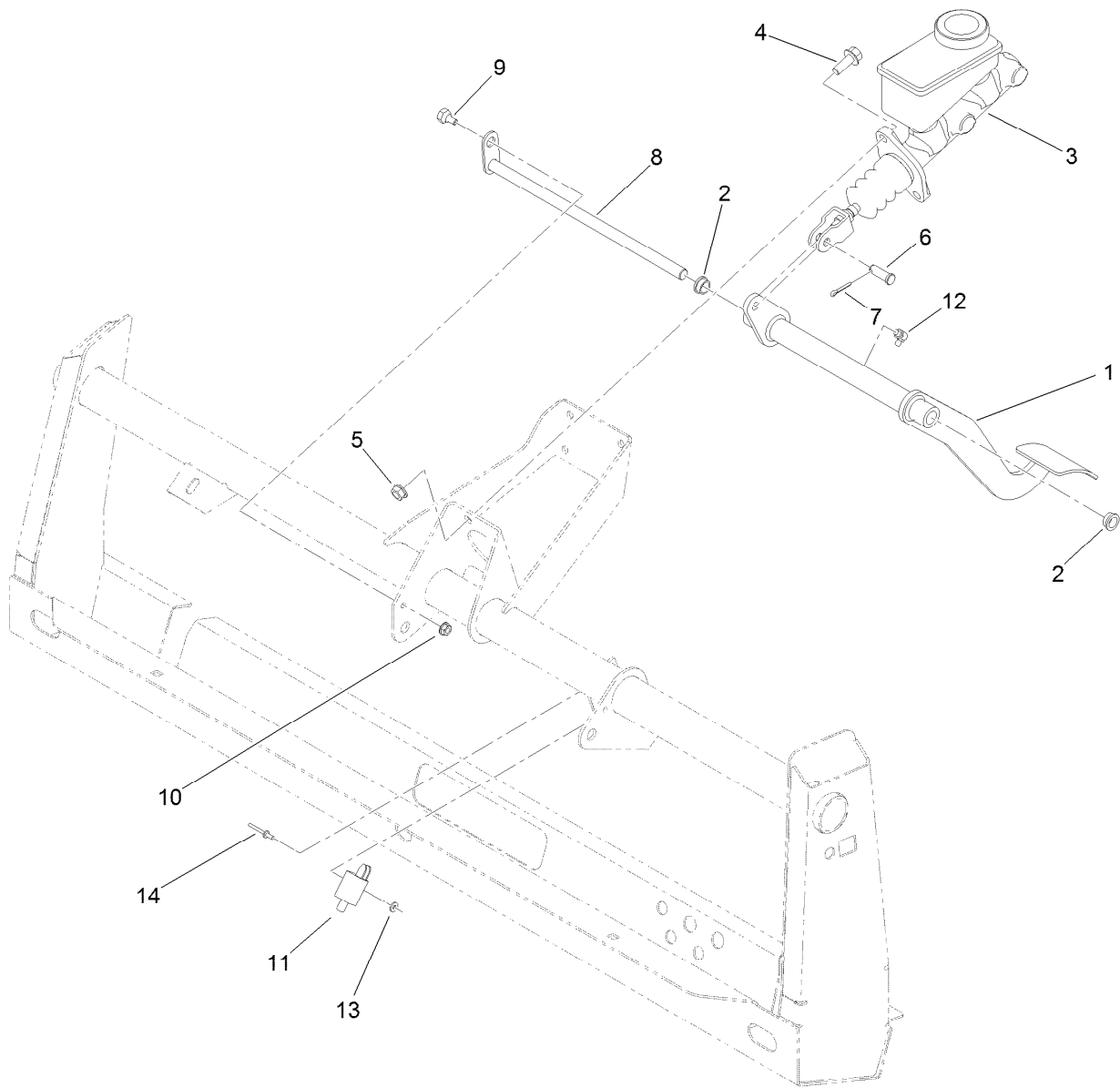
<i>Ref.</i>	<i>Part Number</i>	<i>Qty.</i>	<i>Description</i>
1		1	Rod-Cylinder ●
2		1	Body-Cylinder ●
3	115-2160	1	Cylinder Repair Kit

● Not serviced separately



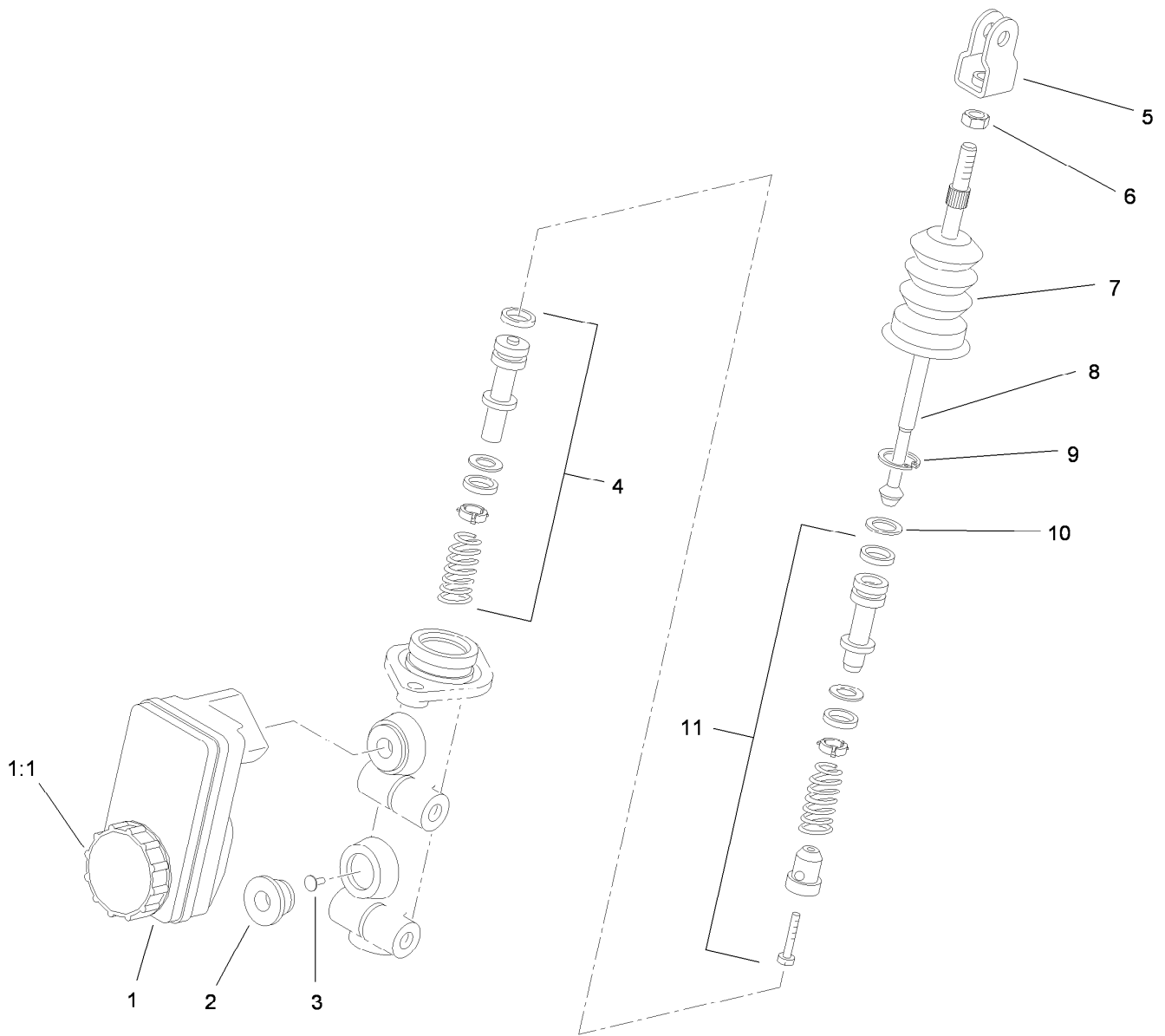
Front Control Arm Assembly

Ref.	Part Number	Qty.	Description	Ref.	Part Number	Qty.	Description
1	115-2405	1	Lower LH Control Arm ASM	3:3:1	302-5	1	Fitting-Grease
1:2	87-1450	2	Bushing-Flange	3:4	87-2420	1	Seal-Joint, Ball
1:3	115-2165	1	Ball Joint	3:5	32151-104	1	Ring-Retaining, External
1:3:1	302-5	1	Fitting-Grease	4	115-2406	1	Upper RH Control Arm ASM
1:4	87-2420	1	Seal-Joint, Ball	4:2	87-1450	2	Bushing-Flange
1:5	32151-104	1	Ring-Retaining, External	4:3	115-2165	1	Ball Joint
2	115-2407	1	Lower RH Control Arm ASM	4:3:1	302-5	1	Fitting-Grease
2:2	87-1450	2	Bushing-Flange	4:4	87-2420	1	Seal-Joint, Ball
2:3	115-2165	1	Ball Joint	4:5	32151-104	1	Ring-Retaining, External
2:3:1	302-5	1	Fitting-Grease	5	99-5107	8	Nut-Lock
2:4	87-2420	1	Seal-Joint, Ball	6	114-8419	6	Screw-HHF
2:5	32151-104	1	Ring-Retaining, External	7	324-10	4	Screw-HH
3	115-2404	1	Upper LH Control Arm ASM	8	325-17	2	Screw-HH
3:2	87-1450	2	Bushing-Flange	9	114-8417	4	Nut-HF, NI
3:3	115-2165	1	Ball Joint				



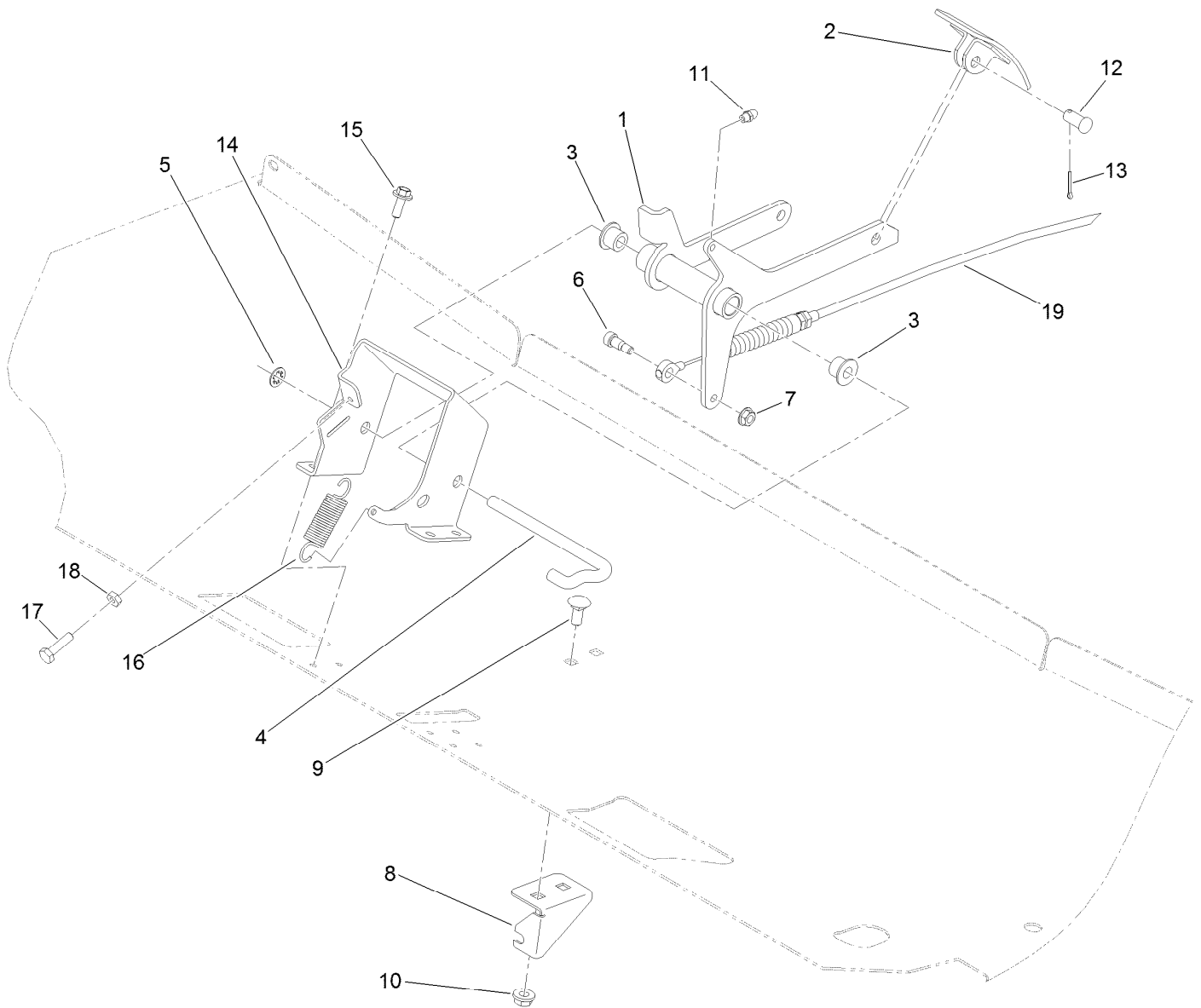
Master Cylinder and Brake Pedal Assembly

<i>Ref.</i>	<i>Part Number</i>	<i>Qty.</i>	<i>Description</i>
1	120-5023-03	1	Pedal-Brake
2	256-156	2	Bushing-Flange
3	104-6782	1	Master Cylinder ASM
4	3234-11	2	Screw-HHF
5	3290-357	2	Nut-HHF, Whiz
6	283-2	1	Pin-Clevis
7	3272-10	1	Pin-Cotter
8	106-2475	1	Shaft-Brake
9	63-3410	1	Screw-Shoulder
10	32128-33	1	Nut-HF
11	95-1653	1	Switch-Pole, Single
12	302-60	1	Fitting-Grease
13	3256-21	2	Washer-Flat
14	3269-25	2	Rivet-Pop



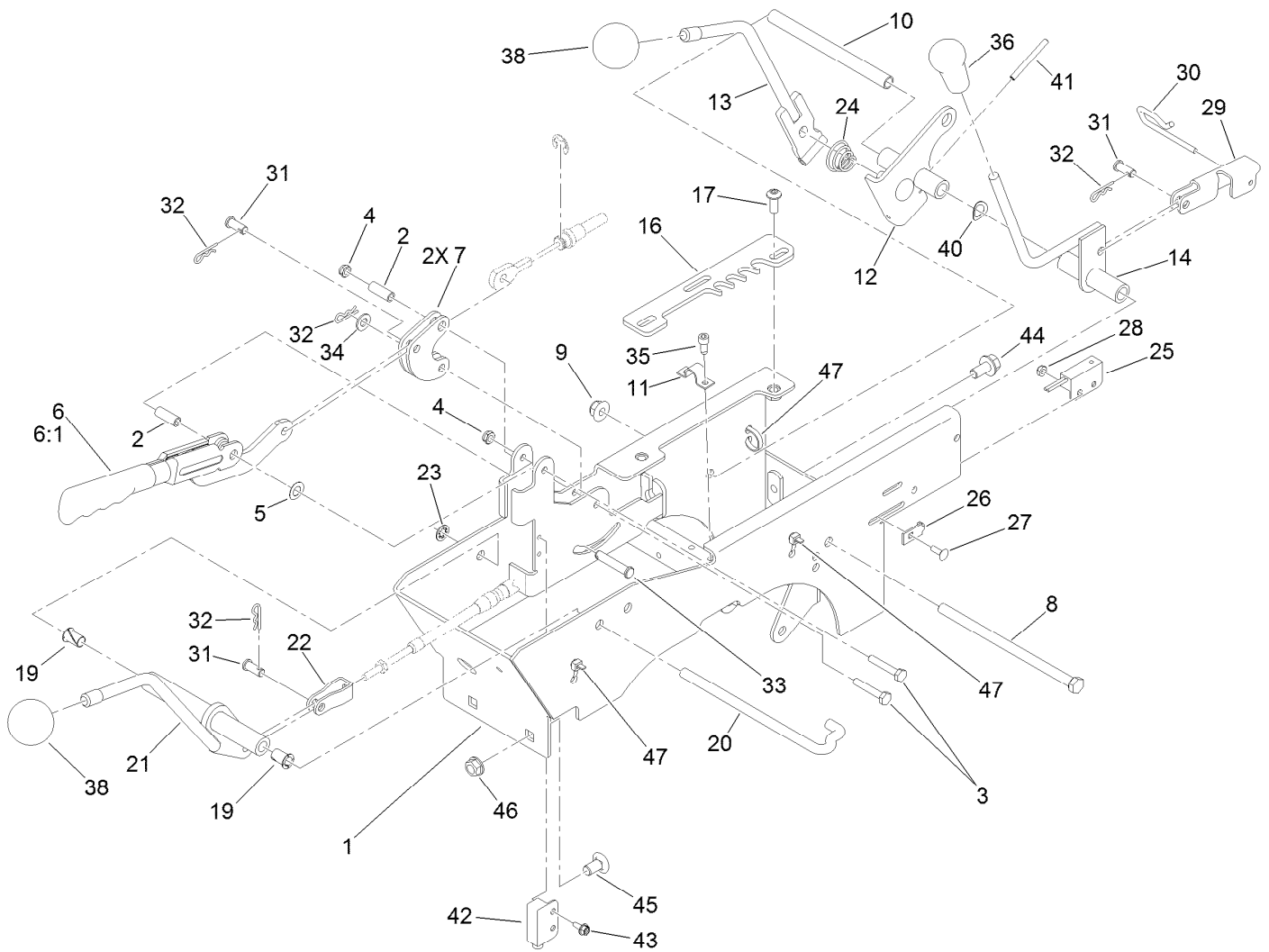
Master Cylinder Assembly No. 104-6782

<i>Ref.</i>	<i>Part Number</i>	<i>Qty.</i>	<i>Description</i>
1	104-6845	1	Reservoir ASM
1:1	92-4112	1	Cap ASM
2	93-8971	2	Seal-Port, Flange
3	92-4103	1	Pin-Stop
4	92-4102	1	Secondary Piston ASM
5	92-4110	1	Clevis
6	21-0360	1	Nut-Hex
7	94-5209	1	Cover-Dust
8	94-5210	1	Rod-Push
9	92-4109	1	Ring-Snap
10	92-4108	1	Retainer-Washer
11	92-4101	1	Primary Piston ASM



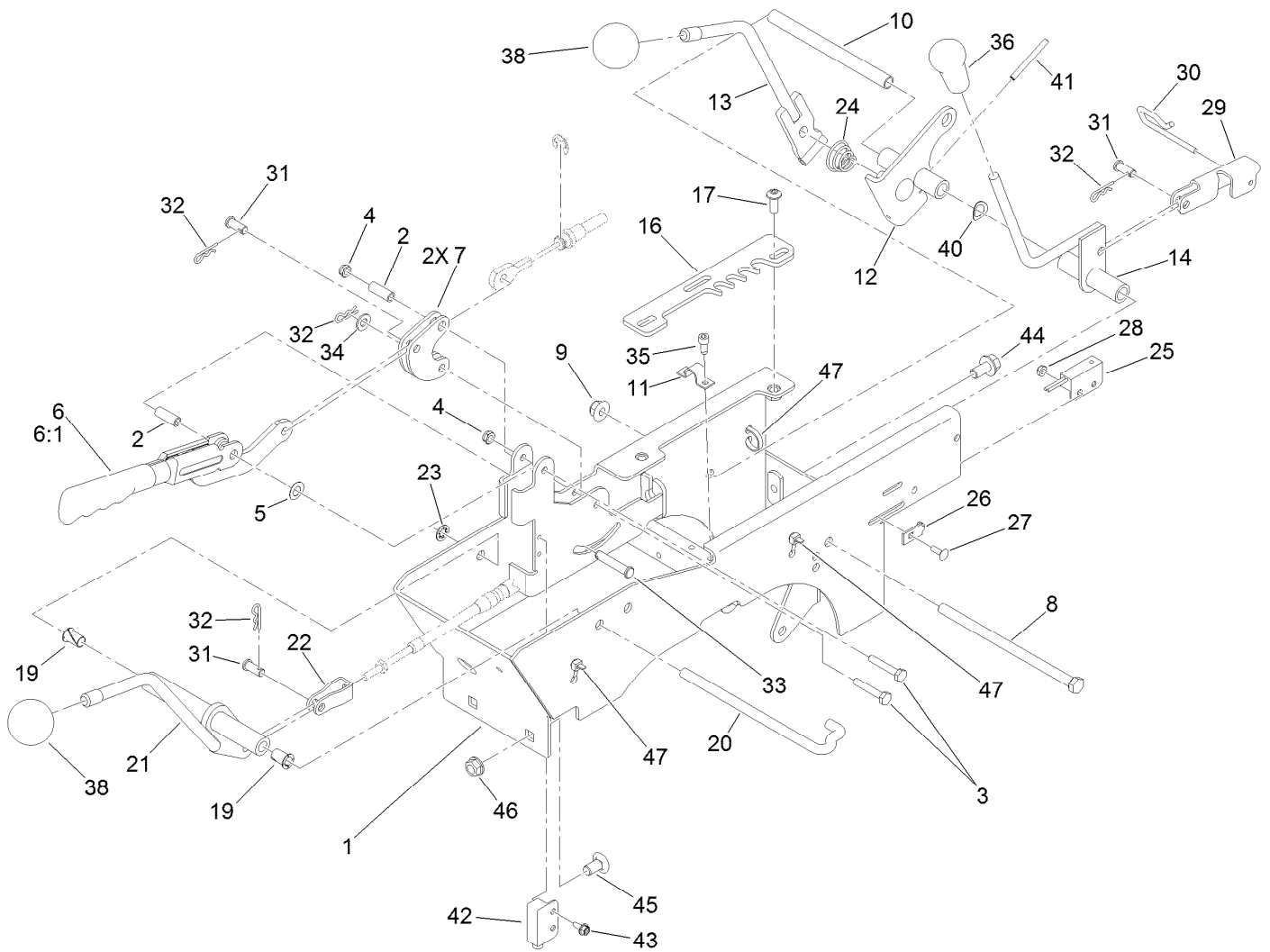
Accelerator Pedal Assembly

<i>Ref.</i>	<i>Part Number</i>	<i>Qty.</i>	<i>Description</i>	<i>Ref.</i>	<i>Part Number</i>	<i>Qty.</i>	<i>Description</i>
1	120-4983-03	1	Pedal-Accelerator	11	302-5	1	Fitting-Grease
2	93-8969-03	1	Pedal	12	283-85	1	Pin-Clevis
3	256-259	2	Bushing-Flange	13	3272-6	1	Pin-Cotter
4	87-2880	1	Shaft-Pedal, Accelerator	14	127-8625-03	1	Bracket-Mount, Pedal
5	32151-56	1	Ring-Retaining, External	15	46-6811	4	Screw-HWH
6	119-4881	1	Bolt-Shoulder	16	67-1450	1	Spring-Idler
7	32128-33	1	Nut-HF	17	321-6	1	Screw-HH
8	120-4982	1	Bracket-Mount, Cable	18	3218-1	1	Nut-Jam
9	3230-1	2	Bolt-CARR	19	121-9876	1	Cable-Accelerator
10	32128-20	2	Nut-HF				



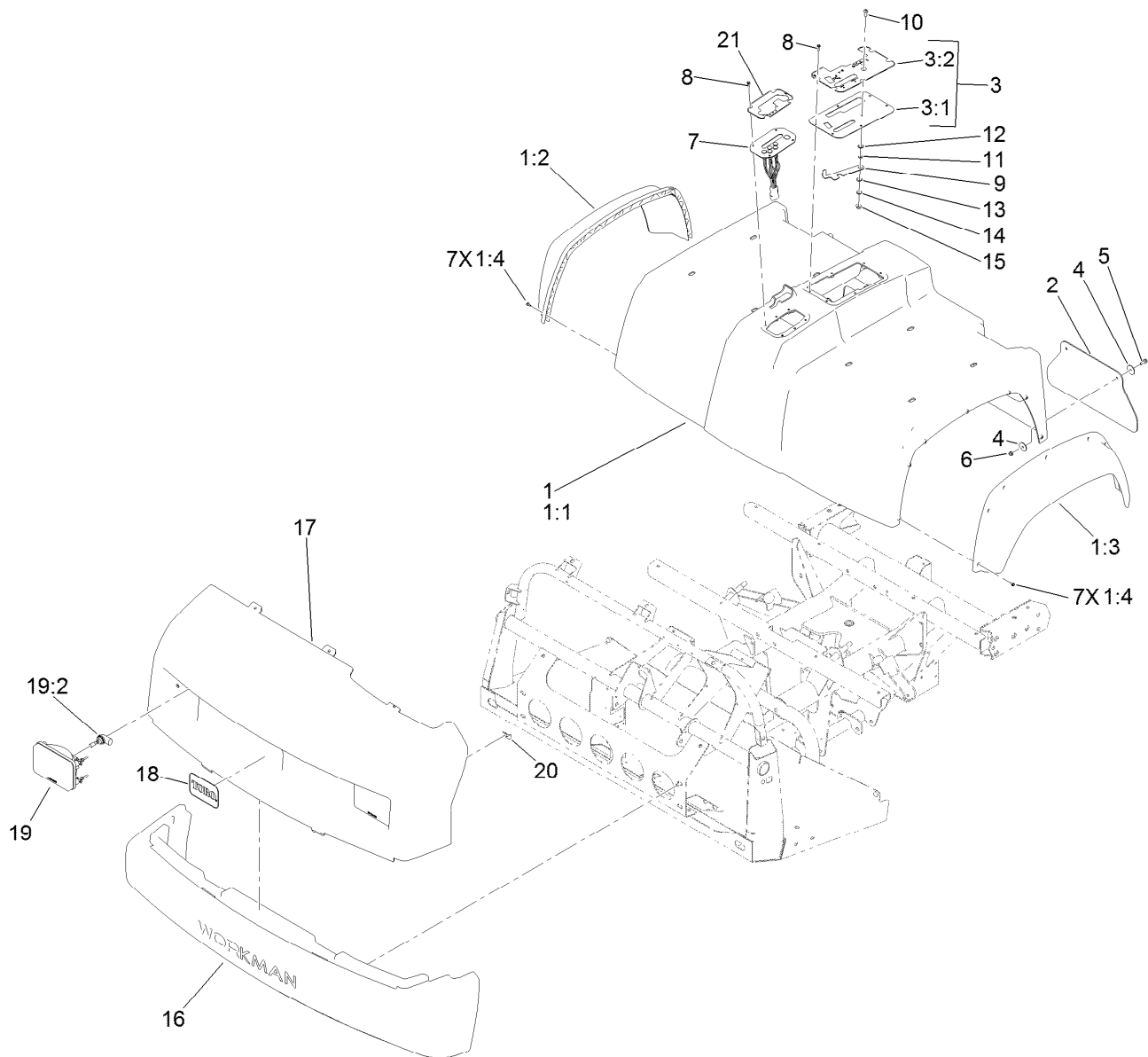
Center Console Assembly

Ref.	Part Number	Qty.	Description	Ref.	Part Number	Qty.	Description
1	121-9870-03	1	Support-Lever	22	87-2310	1	Clevis-Cable
2	114402	2	Spacer	23	32151-56	1	Ring-Retaining, External
3	321-9	2	Screw-HH	24	87-2900	1	Spring-Compression
4	3296-56	2	Nut-Lock, NI	25	100-1270	1	Switch-Proximity
5	3290-477	1	Washer-Curved	26	100-4872	1	Plate-Switch, Neutral
6	127-8863	1	Lever-Brake, Park	27	3229-34	1	Screw-CARR
6:1	127-8864	1	Grip-Handle	28	3296-12	1	Nut-Lock, NI
7	127-8603	2	Bellcrank-Brake, Park	29	115-2250	1	Link
8	323-36	1	Screw-HH	30	115-2350	1	Pin-Retainer
9	104-8301	1	Nut-HF, NI	31	283-62	3	Pin-Clevis
10	106-7833	1	Spacer	32	3290-307	4	Pin-Cotter
11	116-1545	1	Clamp	33	94-3829	1	Pin-Clevis
12	121-9872	1	Lever-Pivot	34	3256-23	1	Washer-Plain
13	121-9873	1	Lever-Control, Speed	35	65-5220	2	Screw-HSH, Thread Forming
14	121-9895	1	Lever-HYD	36	106-7903	1	Knob-Control
16	121-9851	1	Lever-Control, Speed (Detent)	38	233-48	2	Knob
17	3274-55	2	Screw-HSBH	40	3290-221	1	Washer-Spring
19	52-2890	2	Bushing-Nylon	41	32121-48	1	Pin-Spring
20	121-9869	1	Shaft-Lever, Shift	42	104-1414	1	Sensor-Proximity, Ferrous (NC)
21	121-9868	1	Lever-Shift				



Center Console Assembly (continued)

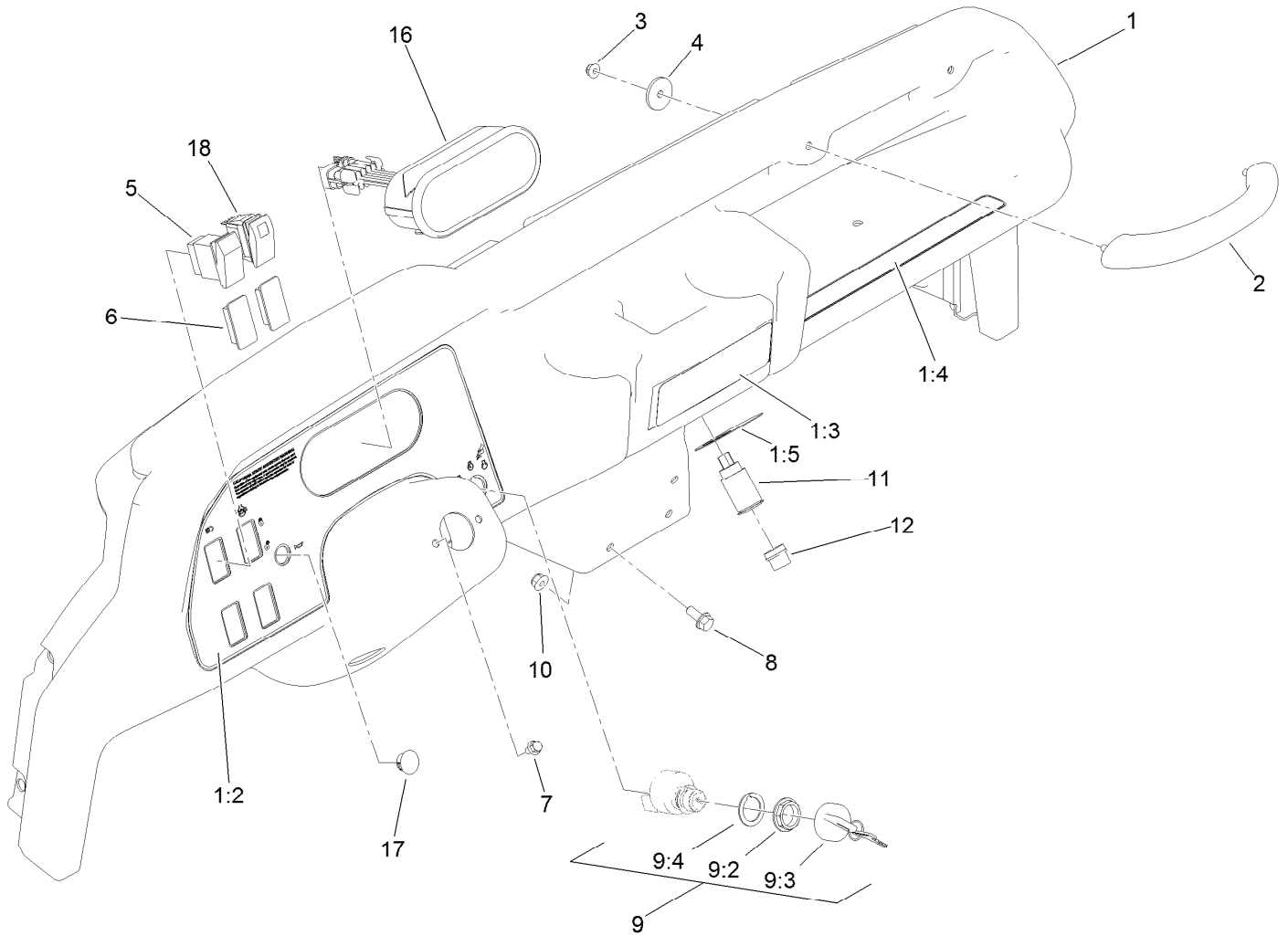
<i>Ref.</i>	<i>Part Number</i>	<i>Qty.</i>	<i>Description</i>	<i>Ref.</i>	<i>Part Number</i>	<i>Qty.</i>	<i>Description</i>
43	32104-60	2	Screw-HWH	46	3290-357	2	Nut-HHF, Whiz
44	3234-12	2	Screw-HHF	47	3290-379	3	Tie-Cable
45	3231-21	2	Screw-CARR				



Bumper, Hood and Seat Base Assembly

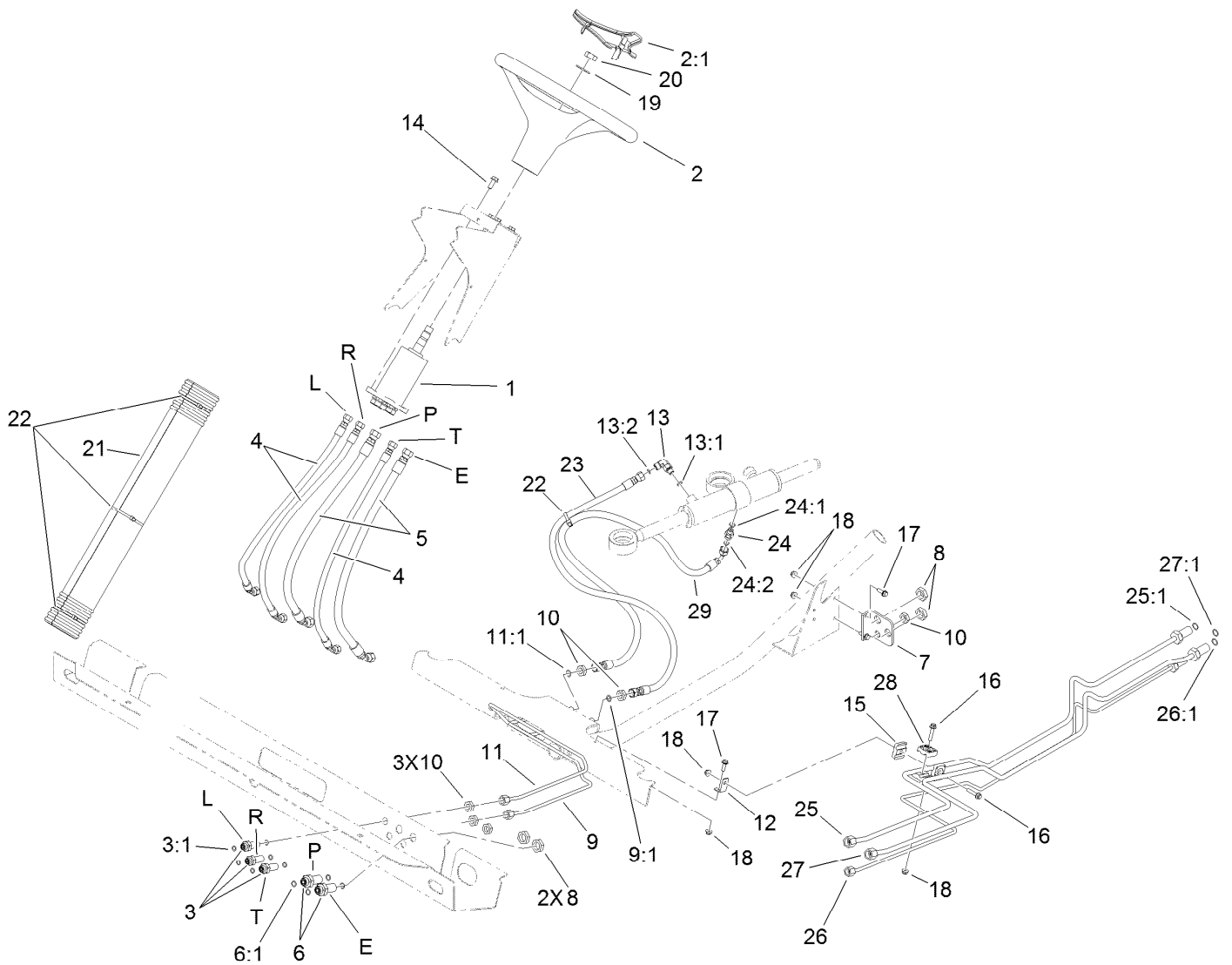
Ref.	Part Number	Qty.	Description	Ref.	Part Number	Qty.	Description
1	115-7815	1	Seat Base ASM	9	106-7984	1	Lever-Detent
1:1		1	Base-Seat ●	10	3274-55	1	Screw-HSBH
1:2	114-8407	1	Fender-Front, RH	11	82-4240	1	Spacer-Bearing
1:3	114-8408	1	Fender-Front, LH	12	94-8196	1	Washer-Nylon
1:4	117-5036	14	Screw-HWH	13	3290-221	1	Washer-Spring
2	106-2378	2	Mudflap	14	3256-23	1	Washer-Plain
3		1	Control Plate ASM ●	15	104-8300	1	Nut-HF, NI
3:1	121-9737-03	1	Plate-Control	16	112-3185	1	Bumper
3:2	121-9890	1	Decal-Console	17	112-3183	1	Hood
4	3256-55	8	Washer-Flat	18	117-4950	1	Decal
5	3234-4	4	Screw-HHF	19	114-8322	2	Headlight ASM
6	104-7201	4	Nut-HF	19:2	115-2395	1	Bulb-Light
7	127-8865	1	Shift Indicator ASM	20	114-8341	6	Clip-Speed
8	98-1375	10	Screw-HWH	21	127-8760	1	Decal-Indicator, Shift

● Not serviced separately



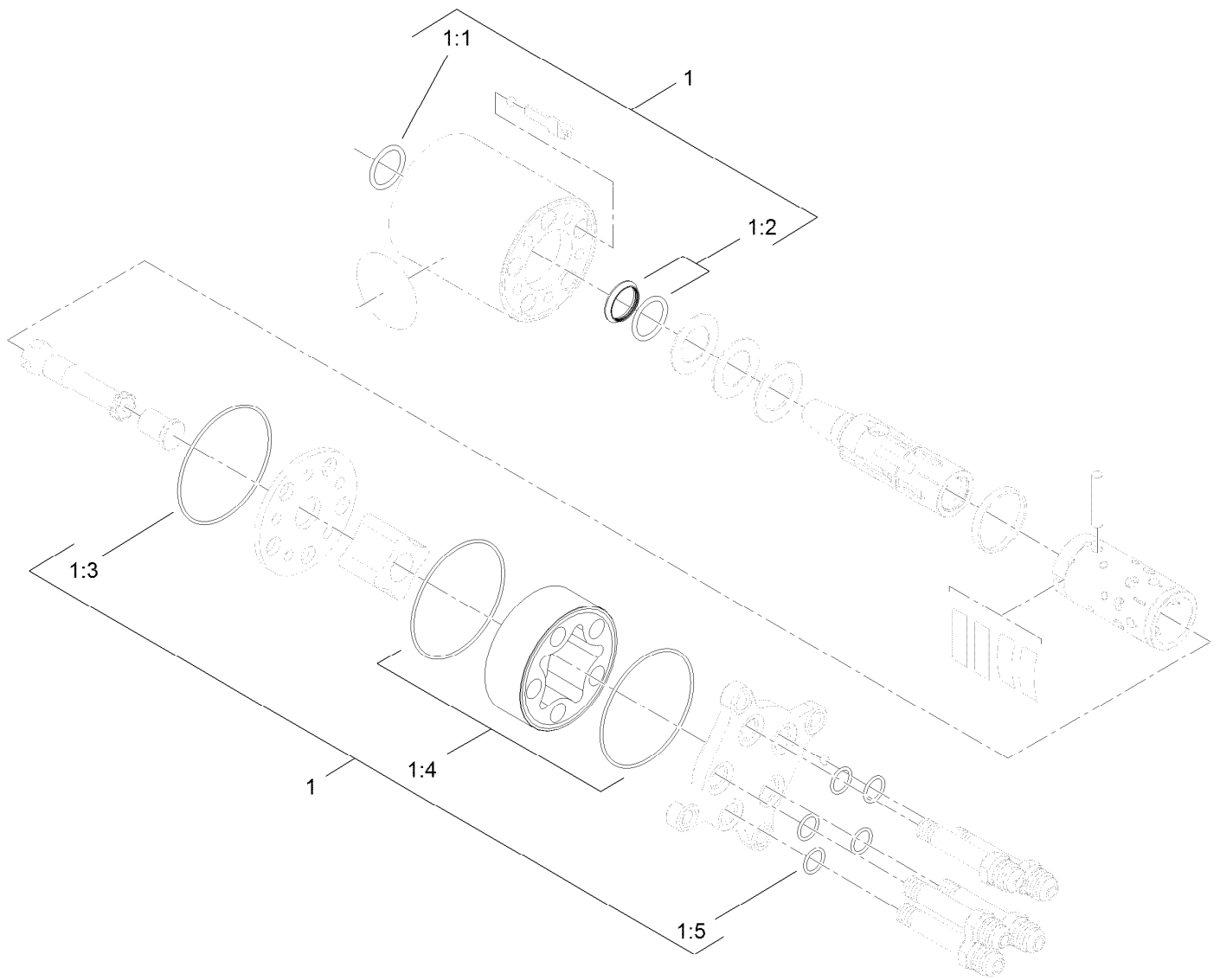
Dash Assembly

<i>Ref.</i>	<i>Part Number</i>	<i>Qty.</i>	<i>Description</i>	<i>Ref.</i>	<i>Part Number</i>	<i>Qty.</i>	<i>Description</i>
1	127-8621	1	Dash ASM	8	3234-5	3	Screw-HHF
1:2	127-8620	1	Decal-Dash	9	106-5269	1	Ignition Switch ASM
1:3	115-7746	1	Decal-Danger	9:2	108-8660	1	Nut-Mounting
1:4	115-2282	1	Decal-Warning, Dash	9:3	106-5270	1	Ignition Key Set
1:5	106-2353	1	Decal-Powerpoint	9:4	108-8659	1	Washer-Backup
2	117-4948	1	Handle-Grab	10	104-8300	3	Nut-HF, NI
3	104-7201	2	Nut-HF	11	99-7411	1	Point-Power
4	103995	2	Washer	12	99-7416	1	Cap
5	95-8999	1	Switch	16	121-9849	1	Cluster-Instrument (Auto)
6	99-7420	2	Plug-Hole	17	94-5627	1	Plug
7	33103-012	2	Screw-HHF	18	105-4232	1	Switch



Steering Hydraulic Assembly

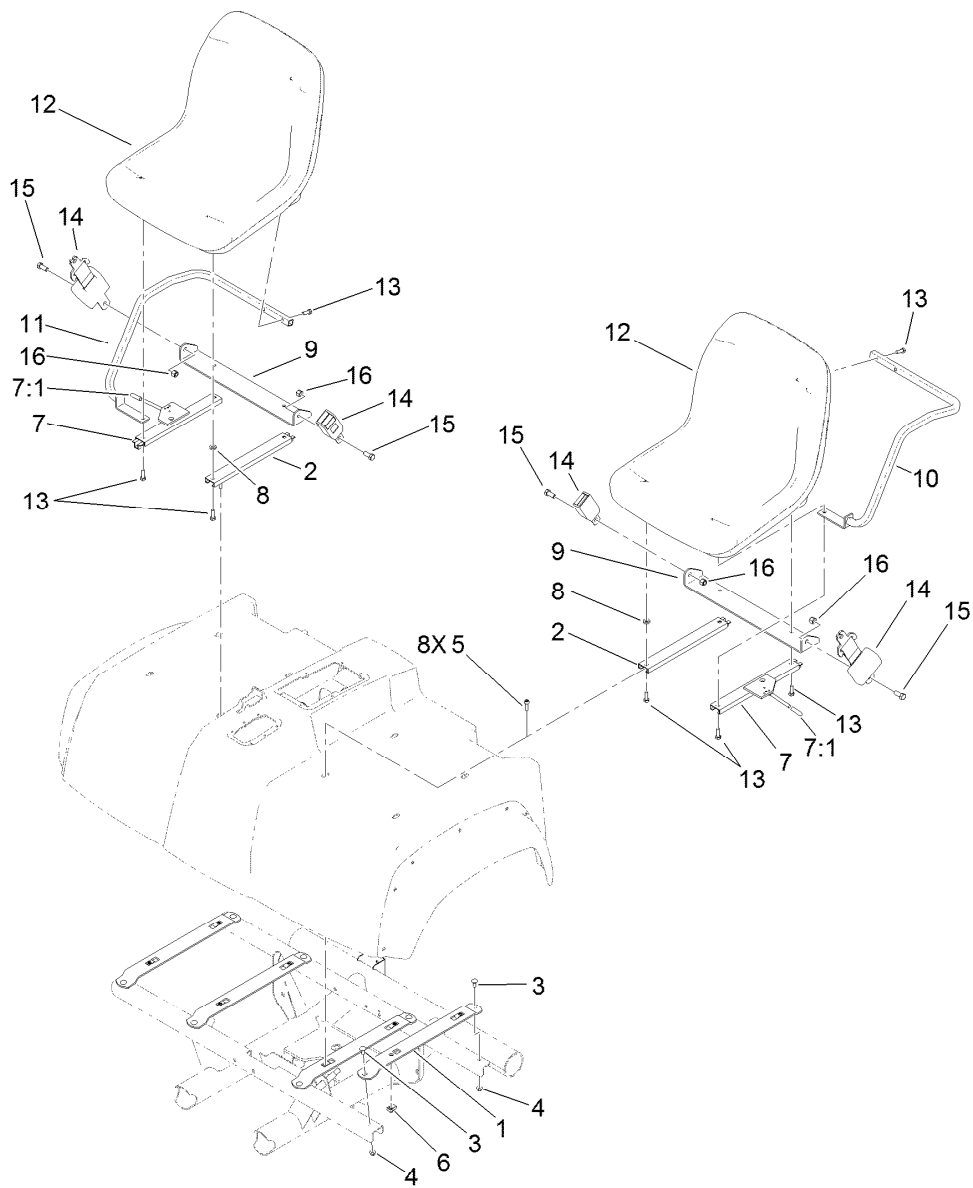
Ref.	Part Number	Qty.	Description	Ref.	Part Number	Qty.	Description
1	120-4813	1	Pump-Steering	15	106-7839	2	Clamp-Tube
2	98-1471	1	Wheel-Steering	16	3234-21	2	Screw-HHF
2:1	98-1468	1	Cover-Wheel, Steering	17	3234-4	3	Screw-HHF
3	94-1444	3	Union-Bulkhead	18	104-7201	5	Nut-HF
3:1	237-21	2	O-Ring	19	3256-27	1	Washer-Flat
4	106-7974	3	Hose-HYD	20	3296-33	1	Nut-Lock, NI
5	106-7975	2	Hose-HYD	21	106-6713	1	Cover-Lines, Steering
6	340-71	2	Fitting-Straight, Bulkhead	22	3290-379	4	Tie-Cable
6:1	237-22	2	O-Ring	23	108-6505	1	Hose-HYD
7	106-7801-03	1	Bracket-Line, Steering	24	340-92	1	Fitting-Straight
8	340-70	4	Nut-Lock	24:1	237-78	1	O-Ring
9	106-7804	1	Tube-HYD	24:2	237-21	1	O-Ring
9:1	237-21	1	O-Ring	25	115-7701	1	Tube-HYD
10	3219-10	6	Nut-Hex	25:1	237-22	1	O-Ring
11	106-7806	1	Tube-HYD	26	115-7702	1	Tube-HYD
11:1	237-21	1	O-Ring	26:1	237-22	1	O-Ring
12	106-7807	1	Bracket-Line, Steering	27	115-7703	1	Tube-HYD
13	340-132	1	Fitting-Elbow, 90	27:1	237-21	1	O-Ring
13:1	237-78	1	O-Ring	28	56-7973	2	Clamp-Tube
13:2	237-21	1	O-Ring	29	117-4861	1	Hose-HYD
14	98-7977	4	Screw-HHF				



Steering Valve Assembly No. 120-4813

<i>Ref.</i>	<i>Part Number</i>	<i>Qty.</i>	<i>Description</i>
1	106-6716	1	Seal Kit
1:1		1	Ring-Seal, Dust ●
1:2		1	Seal-Shaft ●
1:3		1	O-Ring ●
1:4		2	O-Ring ●
1:5		5	O-Ring ●

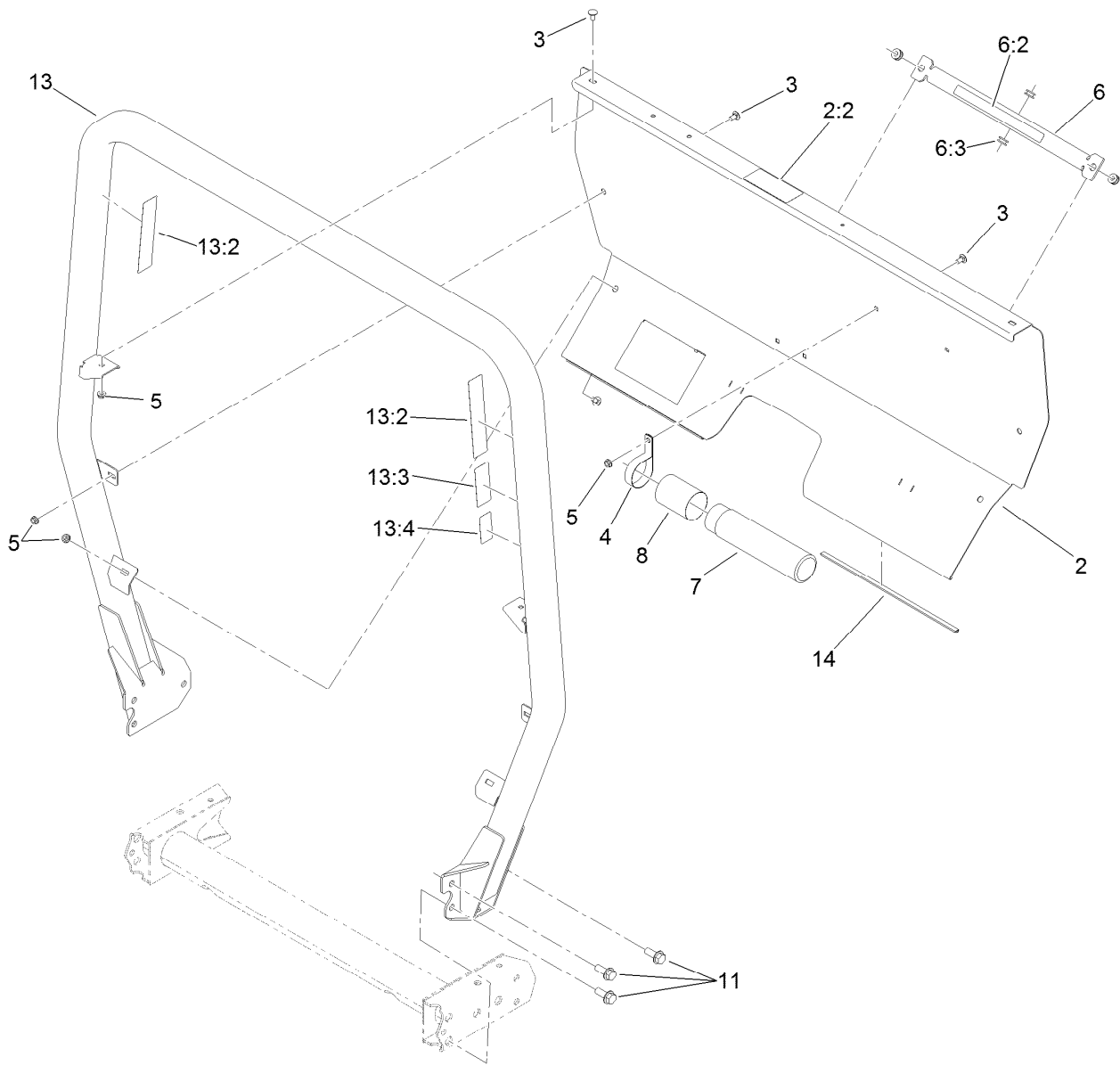
● Not serviced separately



Seat Assembly

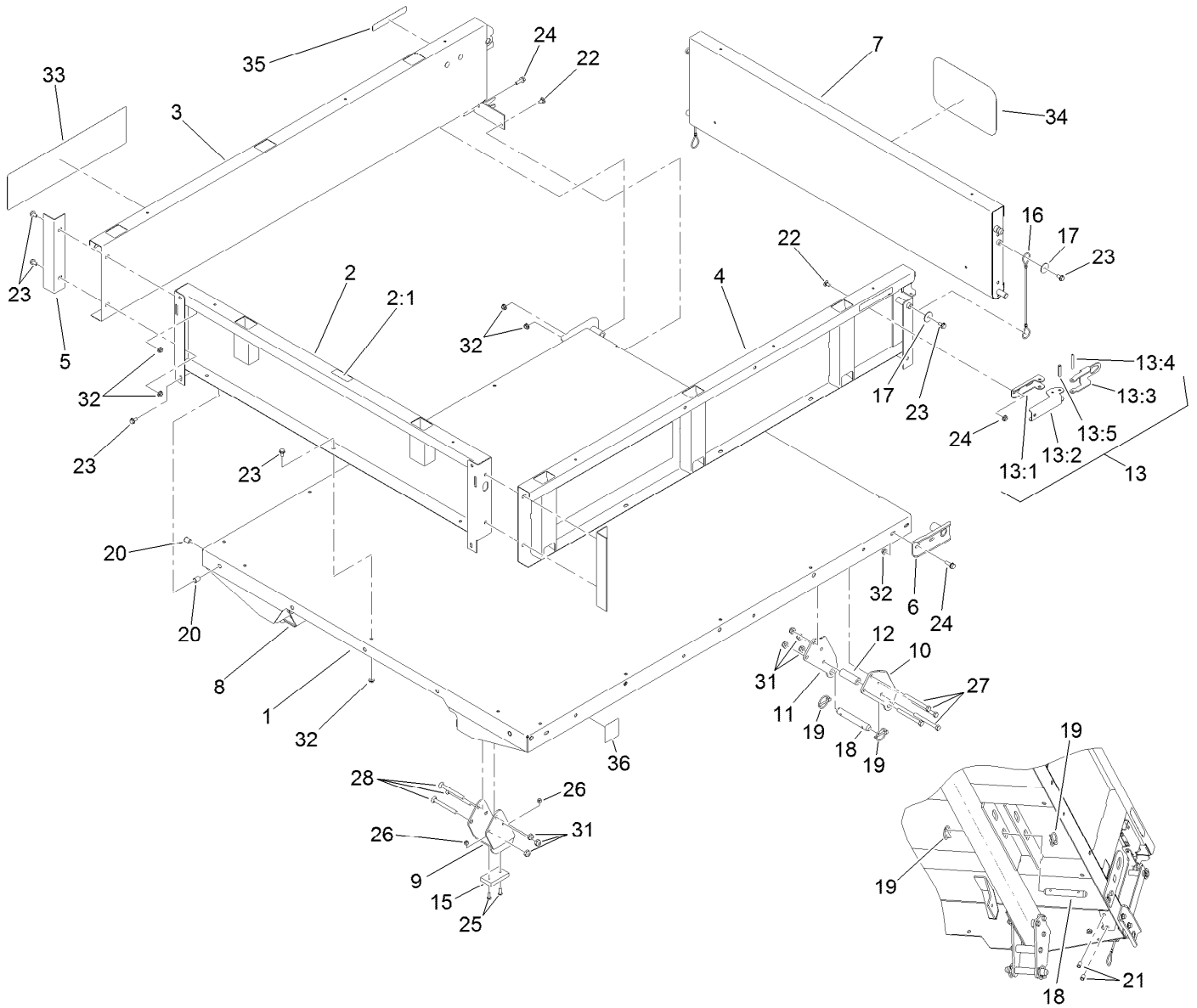
Ref.	Part Number	Qty.	Description
1	115-2435-03	4	Bracket-Seat
2	119-0655	2	Adjuster-Seat, Non Locking
3	3230-1	8	Bolt-CARR
4	104-8300	8	Nut-HF, NI
5	3274-22	8	Screw-HSH
6	115-7721	8	Nut-Clip, U
7	121-9763	2	Adjuster-Seat, Locking
7:1	2410-49	1	Cap-Vinyl
8	104-7658	2	Spacer

Ref.	Part Number	Qty.	Description
9	119-0727-03	2	Bracket-Belt, Seat
10	119-0731-03	1	Armrest-LH
11	119-0732-03	1	Armrest-RH
12	112-2923	2	Seat ASM
13	33114-030	12	Screw-HH
14	110-0413	2	Seatbelt-Retractable
15	3212-4	4	Screw-HH
16	3296-7	4	Nut-Lock



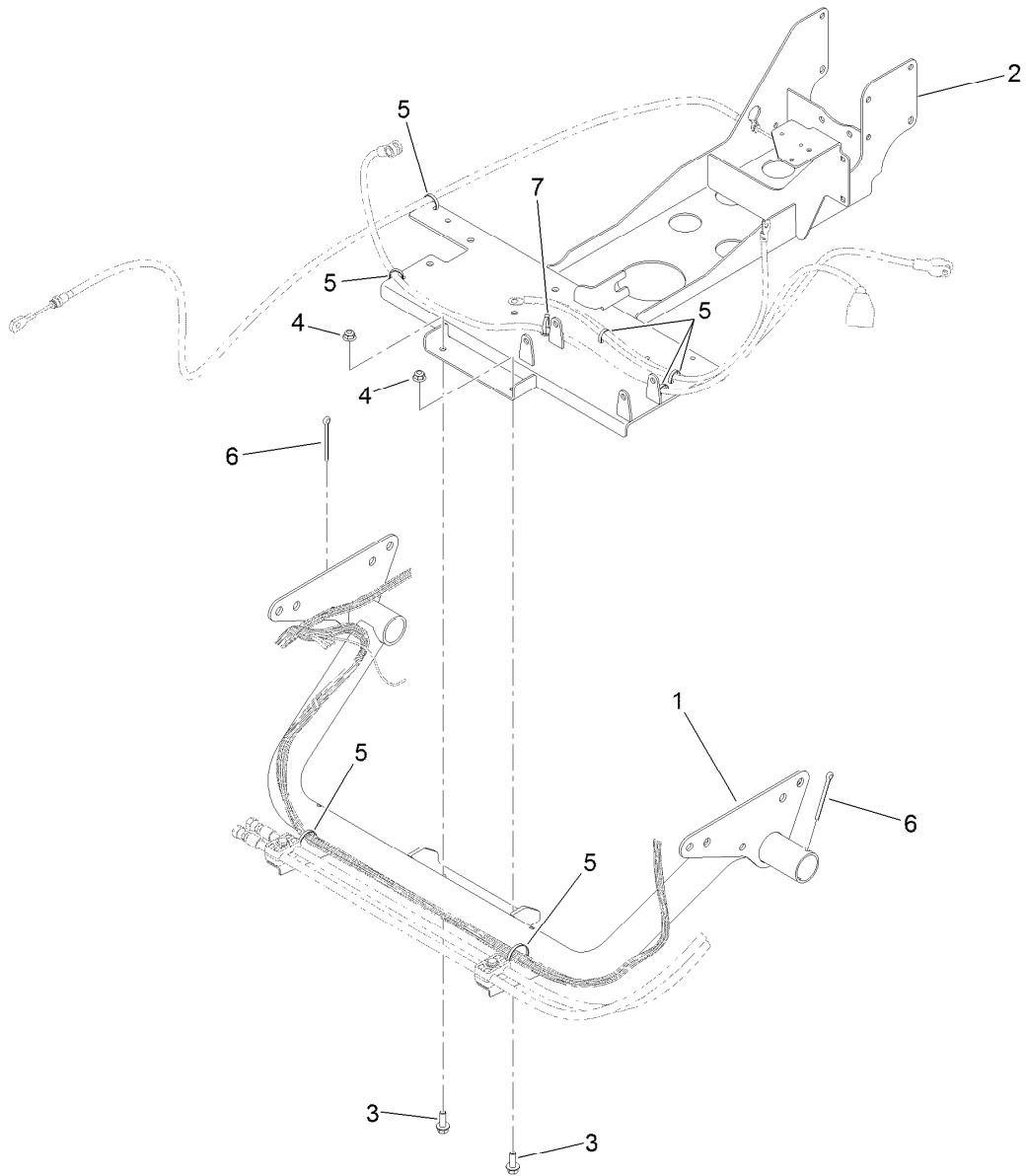
Roll-Over Protection System Assembly

<i>Ref.</i>	<i>Part Number</i>	<i>Qty.</i>	<i>Description</i>	<i>Ref.</i>	<i>Part Number</i>	<i>Qty.</i>	<i>Description</i>
2	121-9857	1	ROPS Cover ASM (W/Decal)	7	104-7050	1	Tube-Manual
2:2	105-4215	1	Decal-Caution	8	104-7048	1	Cap-Housing
3	3230-18	8	Screw-CARR	11	3234-38	6	Screw-HHF
4	2412-133	2	Clamp-R	13	115-7910	1	ROPS ASM
5	32128-20	8	Nut-HF	13:2	106-7767	2	Decal-ROPS
6	105-7960	1	Bed Support ASM	13:3	93-9850	1	Decal-ROPS, CE
6:2	93-9852	1	Decal-Warning	13:4	117-4969	1	Decal-ROPS, ISO
6:3	92-5972	4	Grommet-Rubber	14	127-7382	2	Seal-ROPS



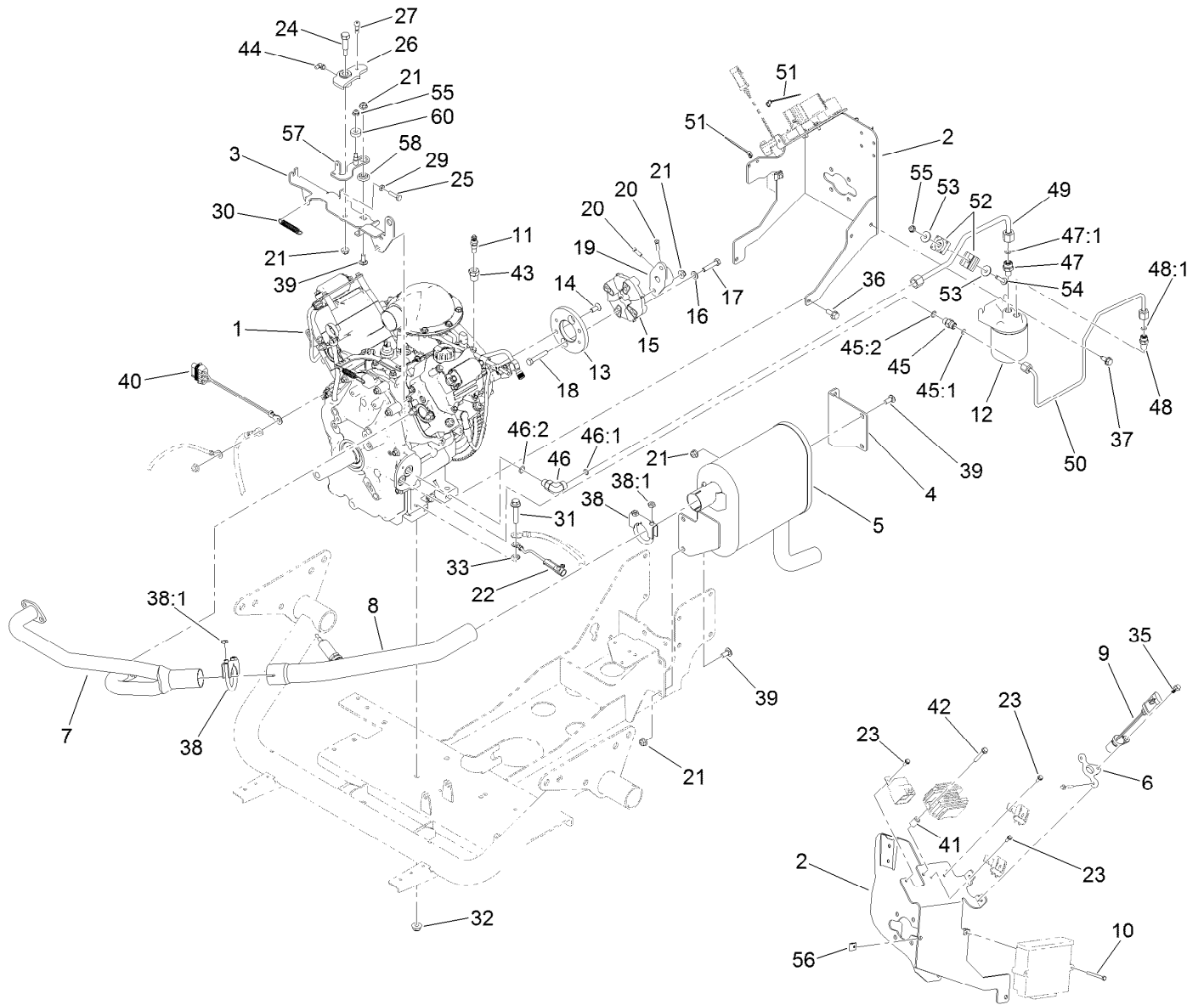
Full Bed and Side Panel Assembly

Ref.	Part Number	Qty.	Description	Ref.	Part Number	Qty.	Description
1	93-9724-03	1	Flatbed-Full	16	93-9595	2	Lanyard
2	92-5982	1	Front Panel ASM	17	3256-57	4	Washer-Flat
2:1	115-7739	1	Decal-No Riders	18	92-1233	4	Pin-Clevis
3	92-1255-03	1	Panel-Side, RH	19	92-1298	8	Pin-Lynch
4	92-1248-03	1	Panel-Side, LH	20	32148-7	4	Nut-Insert
5	92-1320-03	2	Angle-Side	21	32148-6	4	Insert-Nut
6	92-1265-03	2	Bracket-Pivot	22	3230-18	6	Screw-CARR
7	92-1259-03	1	Tailgate-Rear	23	3234-7	21	Screw-HHF
8	106-2423-03	1	Bracket-Spacer, RH	24	3234-29	6	Screw-HHF
9	106-2422-03	1	Bracket-Spacer, LH	25	3250-45	4	Screw-SPH
10	93-9720-03	2	Bracket-Pivot, Long (LH)	26	3296-42	4	Nut-Lock, NI
11	93-9721-03	2	Bracket-Pivot, Long (RH)	27	323-42	8	Screw-HH
12	93-9575	2	Tube-Pivot, Flatbed	28	3231-24	6	Screw-CARR
13	99-1123	2	Latch ASM	31	3296-44	14	Nut-Lock, NI
13:1	92-1271	1	Pivot-Latch	32	32128-20	27	Nut-HF
13:2	99-1113	1	Handle-Latch	33	127-8624	2	Decal-Workman, HD (Auto)
13:3	99-1112	1	Plate-Retainer	34	105-4222	1	Decal
13:4	32121-78	1	Pin-Roll	35	93-9868	2	Decal-Caution
13:5	32121-25	1	Pin-Roll	36	93-9899	2	Decal-Warning
15	93-9719	2	Block-Wear				



Engine and Transmission Support Assembly

<i>Ref.</i>	<i>Part Number</i>	<i>Qty.</i>	<i>Description</i>
1	121-9750-03	1	Support-Engine
2	121-9801-03	1	Mount-Engine/Transmission
3	3234-11	2	Screw-HHF
4	104-8301	2	Nut-HF, NI
5	3290-379	7	Tie-Cable
6	3272-37	2	Pin-Cotter
7	32180-030	1	Clip-Tie

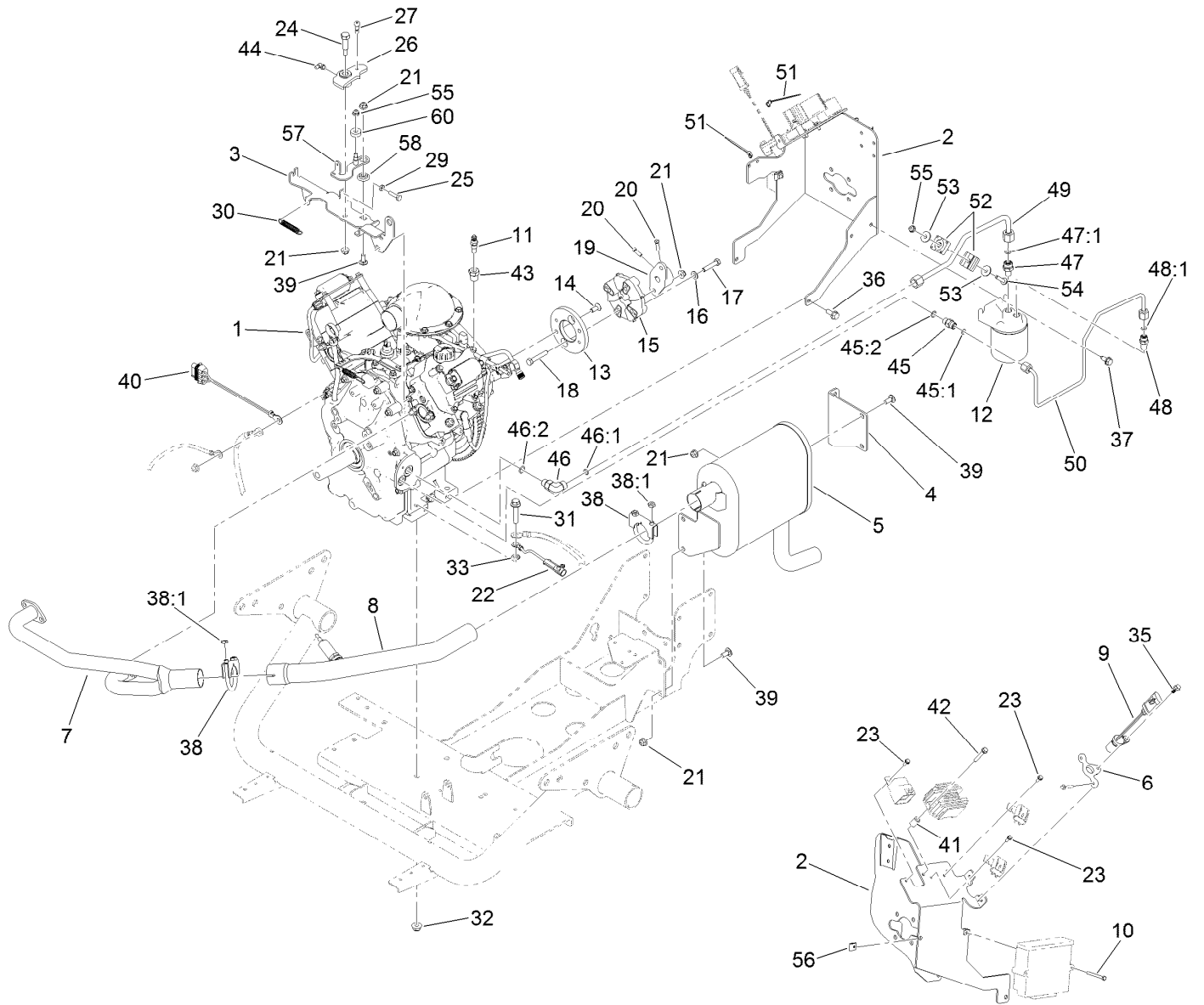


Engine and Exhaust Assembly

Ref.	Part Number	Qty.	Description	Ref.	Part Number	Qty.	Description
1	121-9743	1	Engine-Kohler, LH775 ■	18	322-21	2	Screw-HH
1:1	108-3847	1	Filter-Oil ●	19	115-2169	1	Hub-Pump
2	127-8809-03	1	Mount-Pump	20	3241-6	2	Screw-SQH
3	131-6680	1	Bracket-Throttle	21	104-8300	8	Nut-HF, NI
4	121-9831-03	1	Bracket-Muffler	22	117-5612	1	Harness-Wire, Ground
5	121-9830	1	Muffler ASM	23	32144-112	3	Screw-HWH
6	121-9850	1	Mount-Sensor, Tach	24	7-0030	1	Screw-Shoulder, HH
7	121-9829	1	Manifold-Exhaust	25	329-6	1	Screw-HH
8	121-9828	1	Pipe-Exhaust, Intermediate	26	131-6678	1	Bellcrank ASM
9	120-4800	1	Sensor-Geartooth	27	119-4881	1	Bolt-Shoulder
10	32105-20	2	Screw-HH	29	3220-1	1	Nut-Jam
11	94-7621	1	Sender-Temperature	30	112-1542	1	Spring-Extension
12	127-8714	1	Adapter-Filter, Remote	31	3234-19	4	Screw-HHF
13	121-9714	1	Adapter-Coupler, Pump	32	104-8301	4	Nut-HF, NI
14	100-8159	2	Coupler-HSFH	33	3255-9	1	Washer-Lock
15	119-0652	1	Coupler-Rubber	35	99-6810	1	Screw-HHF
16	3256-23	2	Washer-Plain	36	33104-020	2	Screw-HHF
17	322-7	2	Screw-HH	37	32144-70	2	Screw-HWHTF

● Not illustrated

■ Obtain parts from www.kohlerplus.com

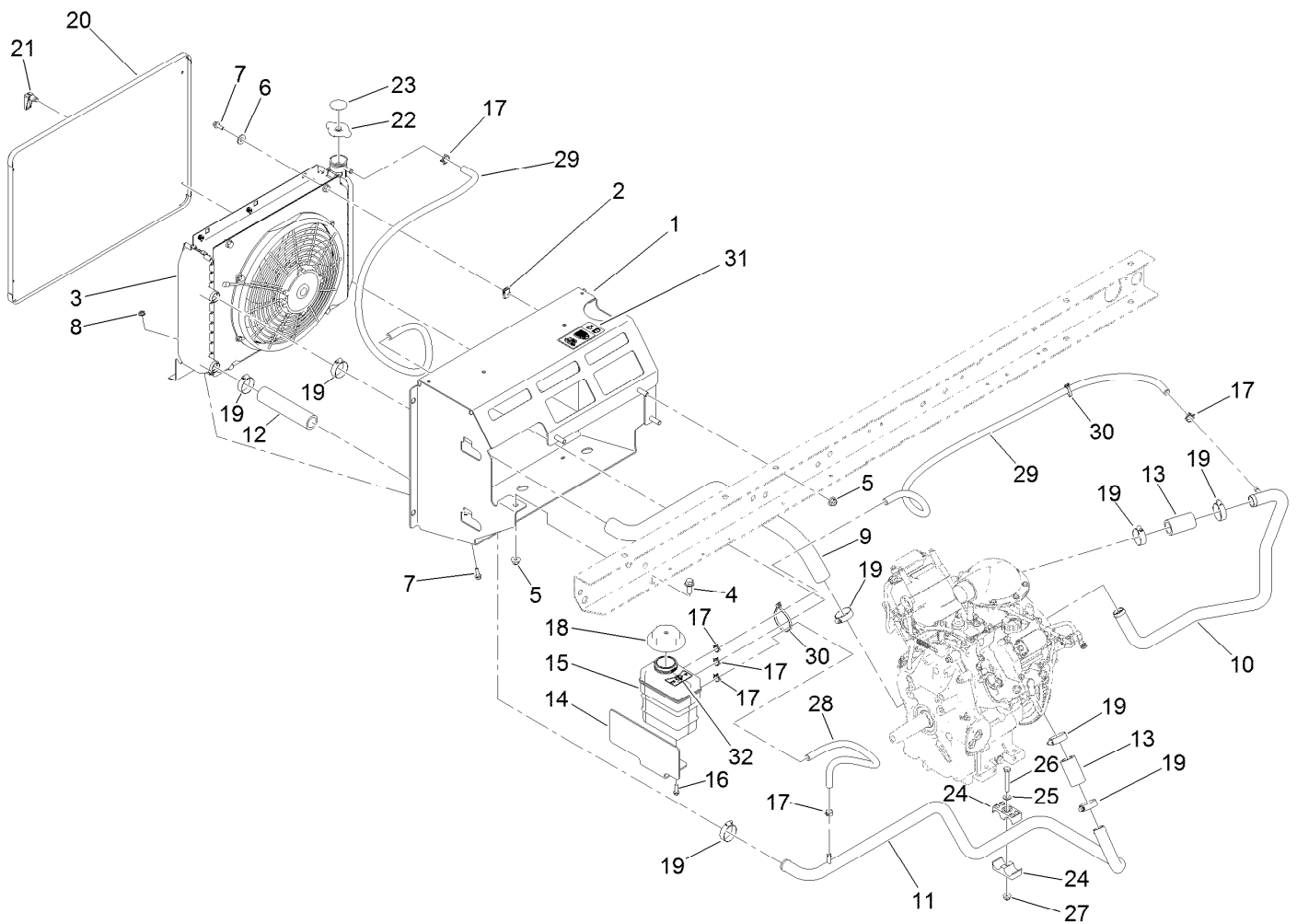


Engine and Exhaust Assembly (continued)

Ref.	Part Number	Qty.	Description	Ref.	Part Number	Qty.	Description
38	2112-9	2	Clamp	47:1	127-8712	1	O-Ring
38:1	32128-20	2	Nut-HF	48	127-8708	1	Fitting-STR
39	3230-23	5	Screw-CARR	48:1	127-8710	1	O-Ring
40	99-3441	1	Harness-Wire, Fusible Link	49	127-8619	1	Tube-HYD
41	120-9636	2	Spacer	50	127-8618	1	Tube-HYD
42	94-2691	2	Screw-HWH	51	3290-381	3	Tie-Cable
43	121-9894	1	Fitting-Straight	52	106-7839	2	Clamp-Tube
44	302-40	1	Fitting-Grease, 90 DEG	53	87-6630	2	Washer-Plain
45	127-8706	1	Fitting-STR	54	3234-21	1	Screw-HHF
45:1	127-8710	1	O-Ring	55	104-7201	2	Nut-HF
45:2	127-8711	1	O-Ring	56	120-6686	2	Nut-Clip, U
46	127-8709	1	Fitting-90	57	131-6679	1	Lever-Throttle
46:1	127-8712	1	O-Ring	58	75-8700	1	Bushing-Idler
46:2	127-8713	1	O-Ring	60	251-259	1	Bearing-Ball
47	127-8707	1	Fitting-STR				

● Not illustrated

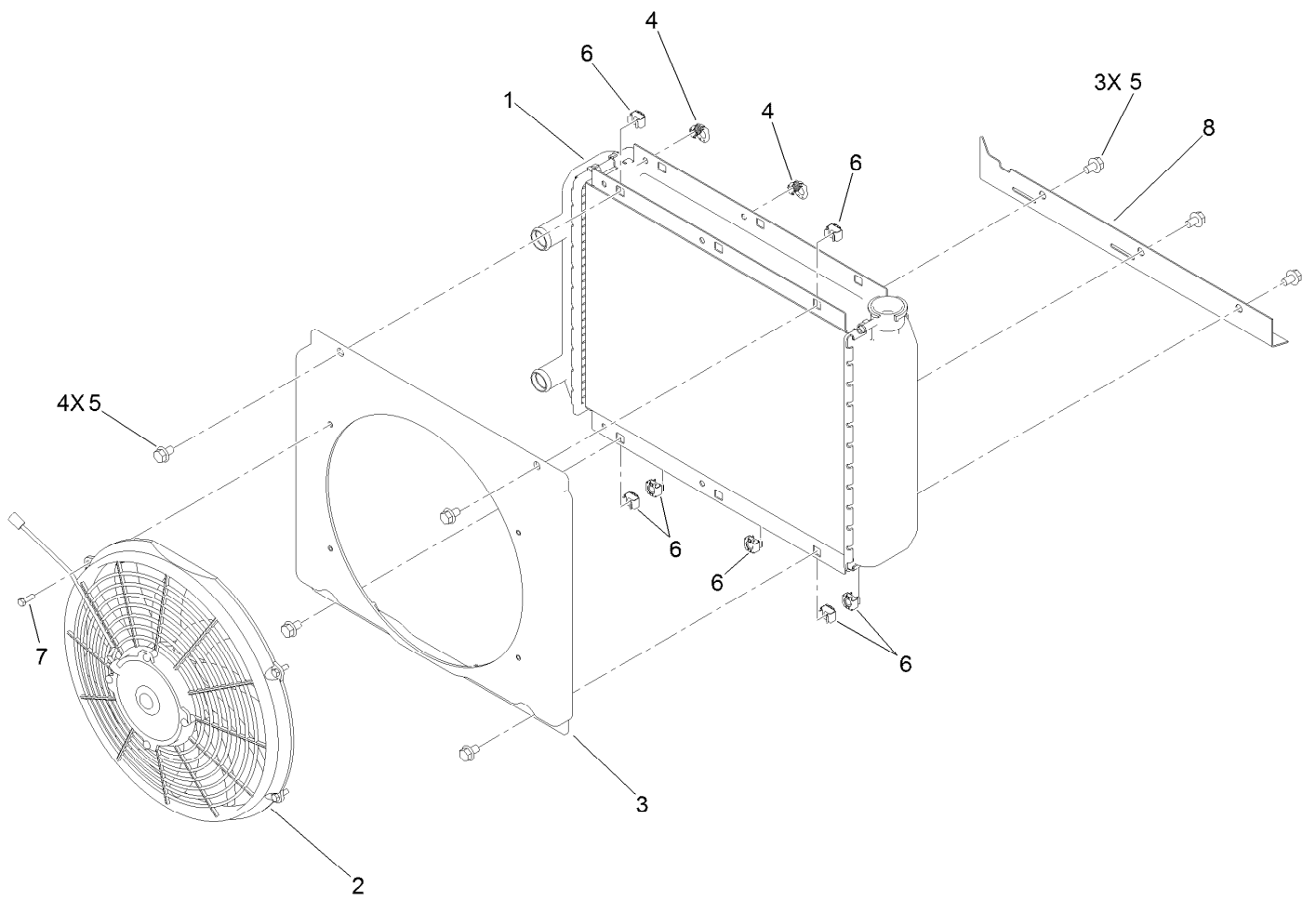
■ Obtain parts from www.kohlerplus.com



Cooling System Assembly

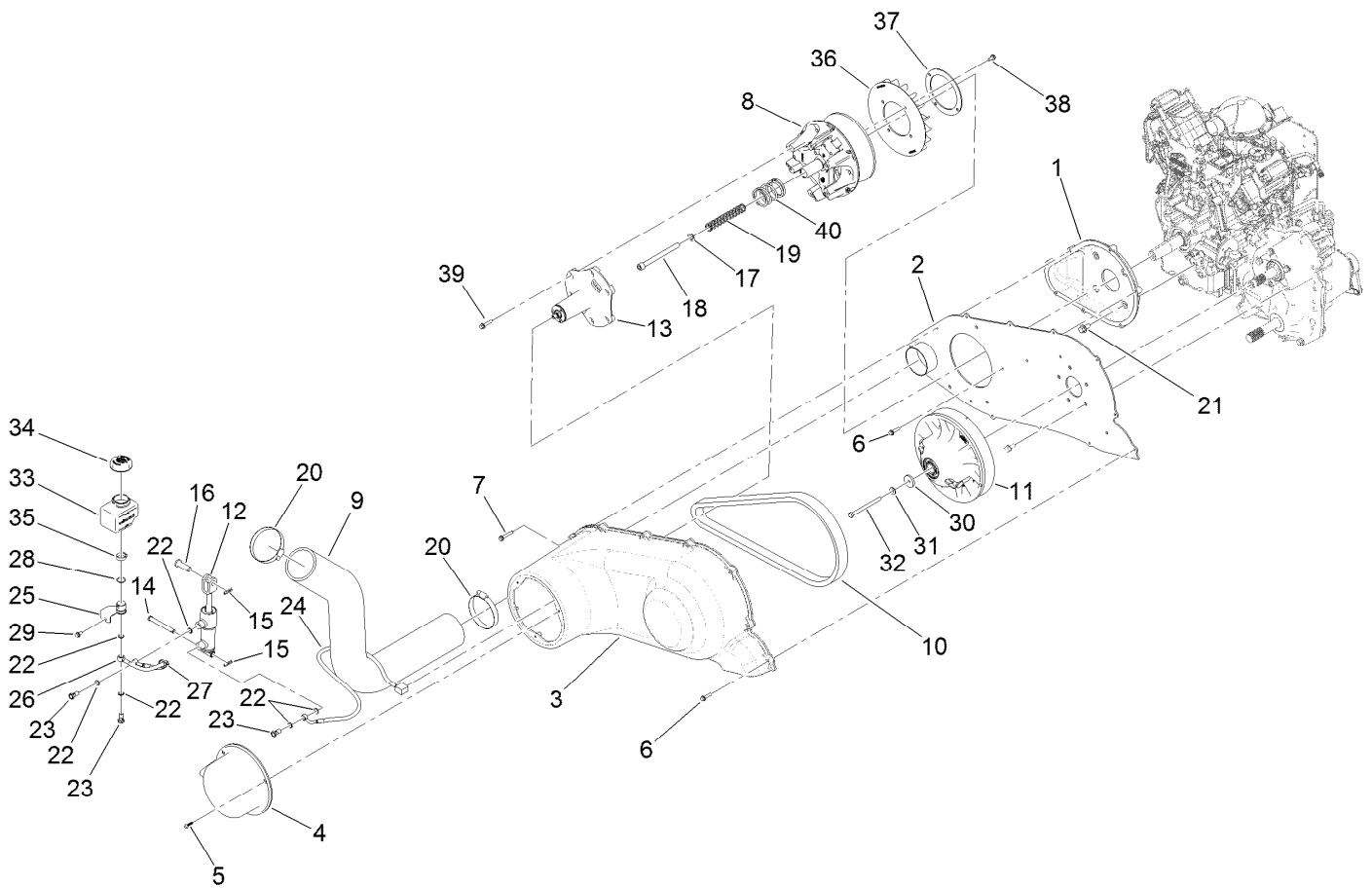
Ref.	Part Number	Qty.	Description	Ref.	Part Number	Qty.	Description
1	115-2434	1	Mount-Radiator	18	120-4867	1	Cap-Coolant, Threaded (15 PSI)
2	107069	2	Clip	19	2412-34	8	Clamp-Hose
3		1	Radiator And Fan ASM ●	20	115-2428-03	1	Screen-Radiator
4	3234-11	1	Screw-HHF	21	74-5950	4	Latch-Swell
5	104-8301	4	Nut-HF, NI	22	120-4866	1	Cap-System, Cooling
6	3256-3	2	Washer-Flat	23	106-6755	1	Decal-Cap, Radiator
7	3234-4	4	Screw-HHF	24	56-7974	2	Clamp-Tube
8	32128-33	2	Nut-HF	25	3256-23	1	Washer-Plain
9	121-9818	1	Hose-Coolant, Upper	26	322-11	1	Screw-HH
10	121-9819	1	Hot Coolant Pipe ASM	27	104-8300	1	Nut-HF, NI
11	121-9820	1	Cold Coolant Pipe ASM	28	127-8608	1	Hose-Coolant
12	127-8634	1	Hose-Straight	29	120-5021	2	Hose-Coolant
13	119-9711	2	Hose-Straight	30	3290-379	2	Tie-Cable
14	121-9854-03	1	Plate Mount-Tank	31	121-6286	1	Decal-Fill, Radiator
15	120-4856	1	Tank-Surge	32	121-6287	1	Decal-Tank, Overflow
16	46-8091	2	Screw-HWH				
17	92-2379	6	Clamp-Hose				

● Not serviced separately



Radiator and Fan Assembly

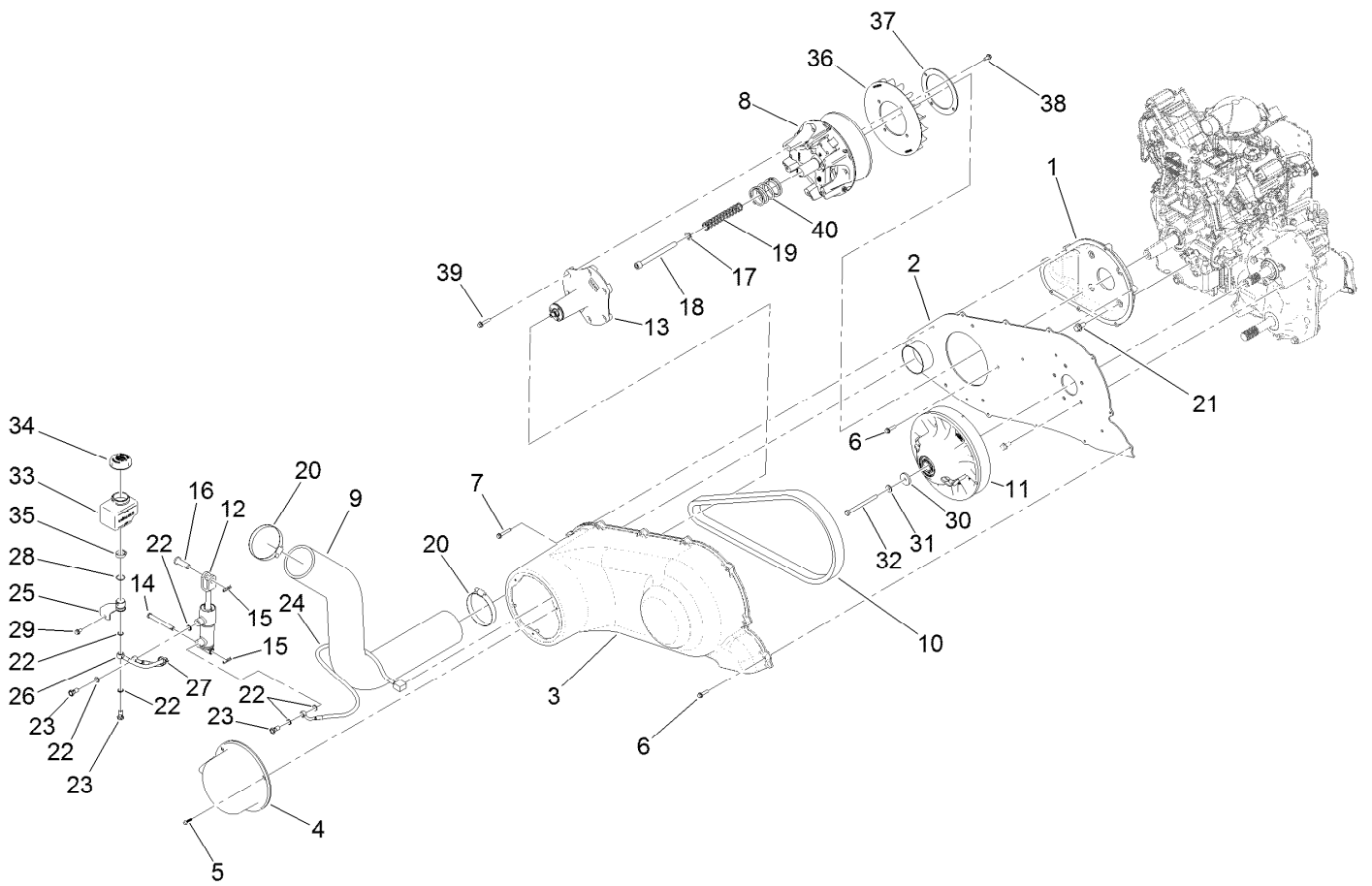
<i>Ref.</i>	<i>Part Number</i>	<i>Qty.</i>	<i>Description</i>
1	114-8384	1	Radiator
2	121-9812	1	Fan-Electric
3	114-8386	1	Shroud
4	114-8387	2	Latch-Spring
5	3234-30	7	Screw-HHF
6	703856	7	Nut-Sq, Caged
7	60-6910	4	Screw-HH
8	115-7765	1	Plate-Mount, Lower



Clutch Assembly

Ref.	Part Number	Qty.	Description	Ref.	Part Number	Qty.	Description
1	121-9838	1	Housing-Inlet, Air	19	121-9847	1	Spring-Compression
2	121-9815-03	1	Spanner Plate ASM	20	2412-125	2	Clamp-Hose
3	121-9836	1	Cover-Enclosure	21	3234-1	4	Screw-HHF
4	121-9837	1	Cover-Limiter, Speed	22	115-2341	6	Washer-Banjo
5	121-9102	3	Screw-HWH	23	115-2340	3	Bolt-Banjo
6	32144-86	14	Screw-HWHTF	24	121-9846	1	Speed Control Hose ASM
7	94-2691	2	Screw-HWH	25	121-9899	1	Reservoir Fitting ASM
8	121-9739	1	Clutch-Primary	26	121-9897	1	Hose-Reservoir
9	121-9853	1	Hose-Intake	27	3290-379	1	Tie-Cable
10	121-9612	1	Belt	28	237-58	1	O-Ring
11	121-9740	1	Clutch-Secondary	29	32144-4	1	Screw-HWH
12	121-9844	1	Cylinder-Master	30	104-6550	1	Washer-Clutch
13		1	Speed Limiter Cover ASM ●	31	87-8640	1	Washer-Flat
14	80-2570	1	Pin-Clevis	32	127-8716	1	Screw-HH, Lock
15	3290-307	2	Pin-Cotter	33	127-8622	1	Reservoir-Fluid
16	117-5094	1	Pin-Clevis	34	127-8623	1	Cap-Reservoir
17	41-8440	1	Washer	35	2412-141	1	Clamp-Drive, Worm
18	121-9848	1	Screw-HSH	36	121-9840	1	Fan

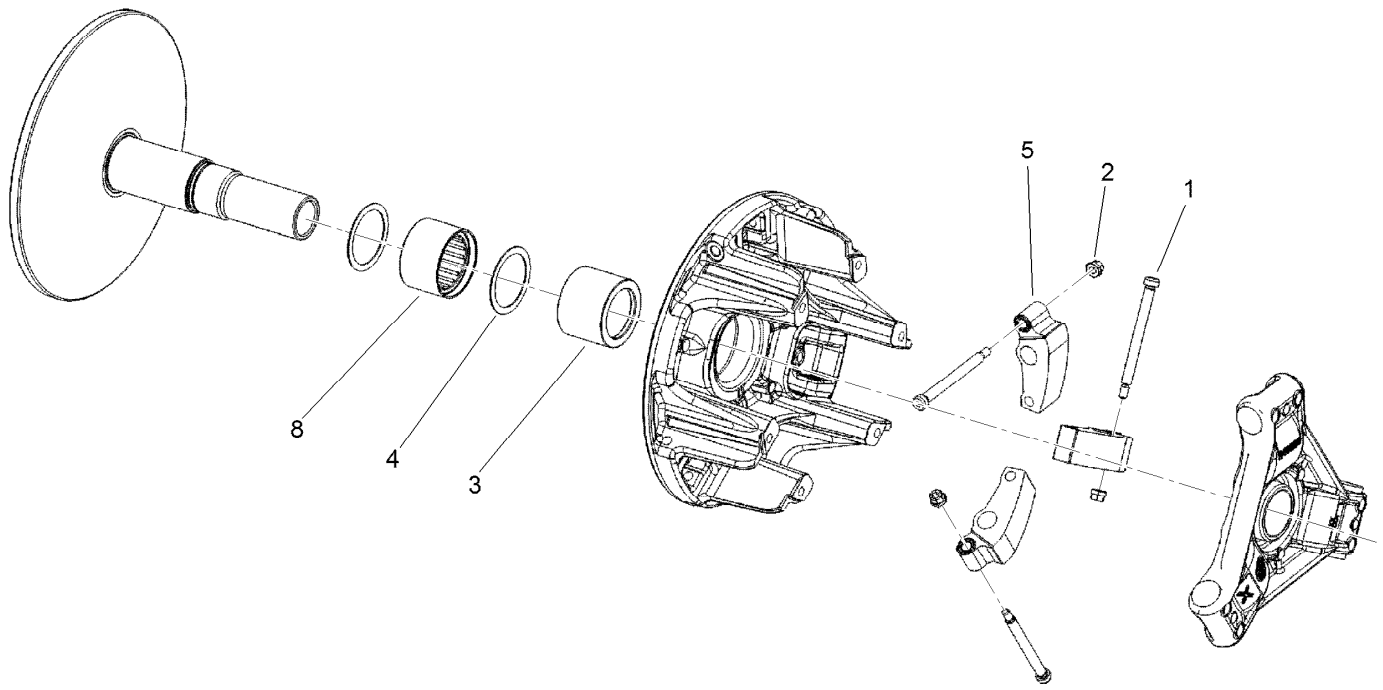
● Not serviced separately



Clutch Assembly (continued)

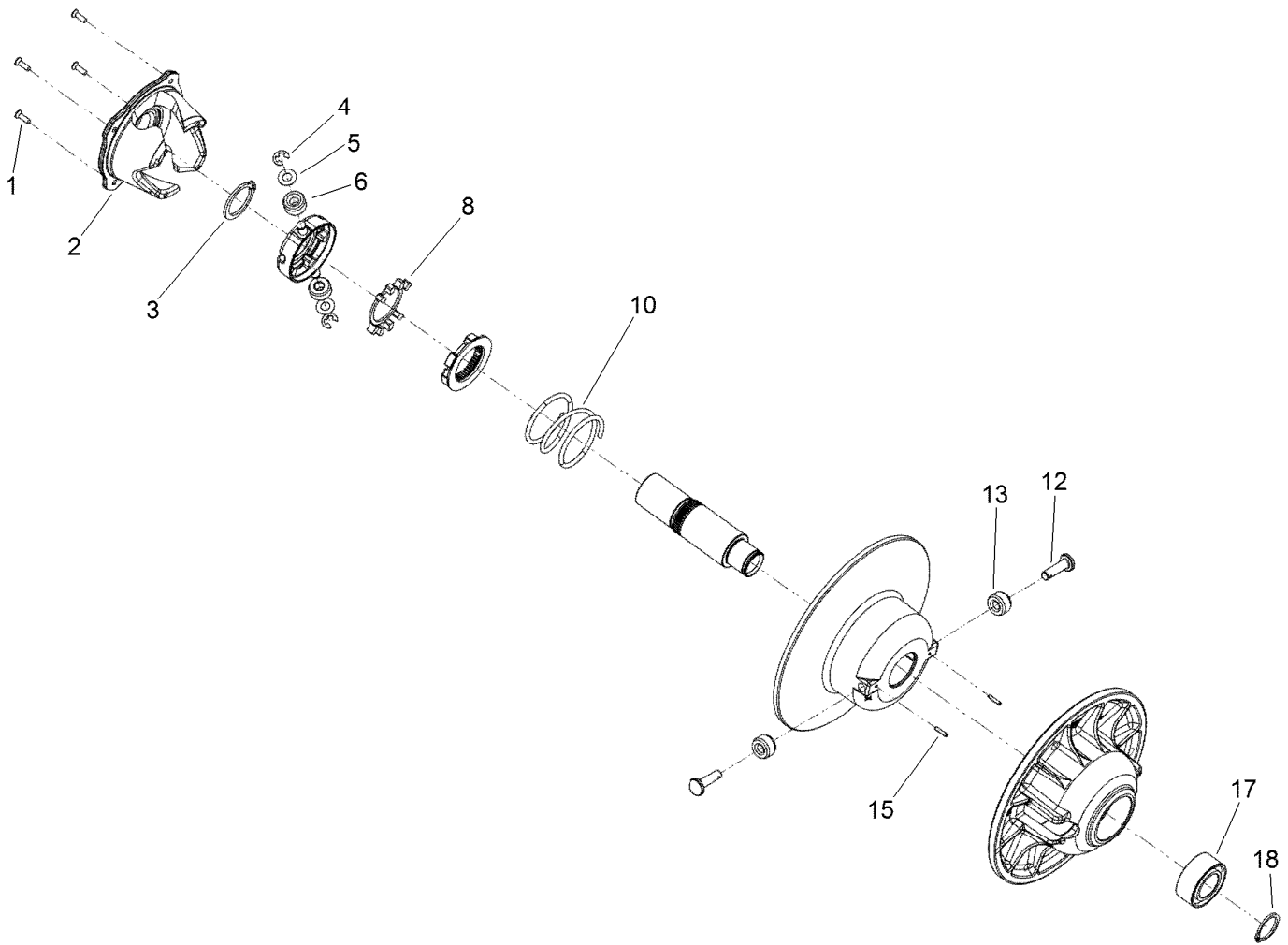
<i>Ref.</i>	<i>Part Number</i>	<i>Qty.</i>	<i>Description</i>	<i>Ref.</i>	<i>Part Number</i>	<i>Qty.</i>	<i>Description</i>
37	127-8640	1	Stiffener-Fan	39	127-8639	6	Screw-HHF
38	32144-10	4	Screw-HWH	40	127-8636	1	Spring-Clutch, Primary

● Not serviced separately



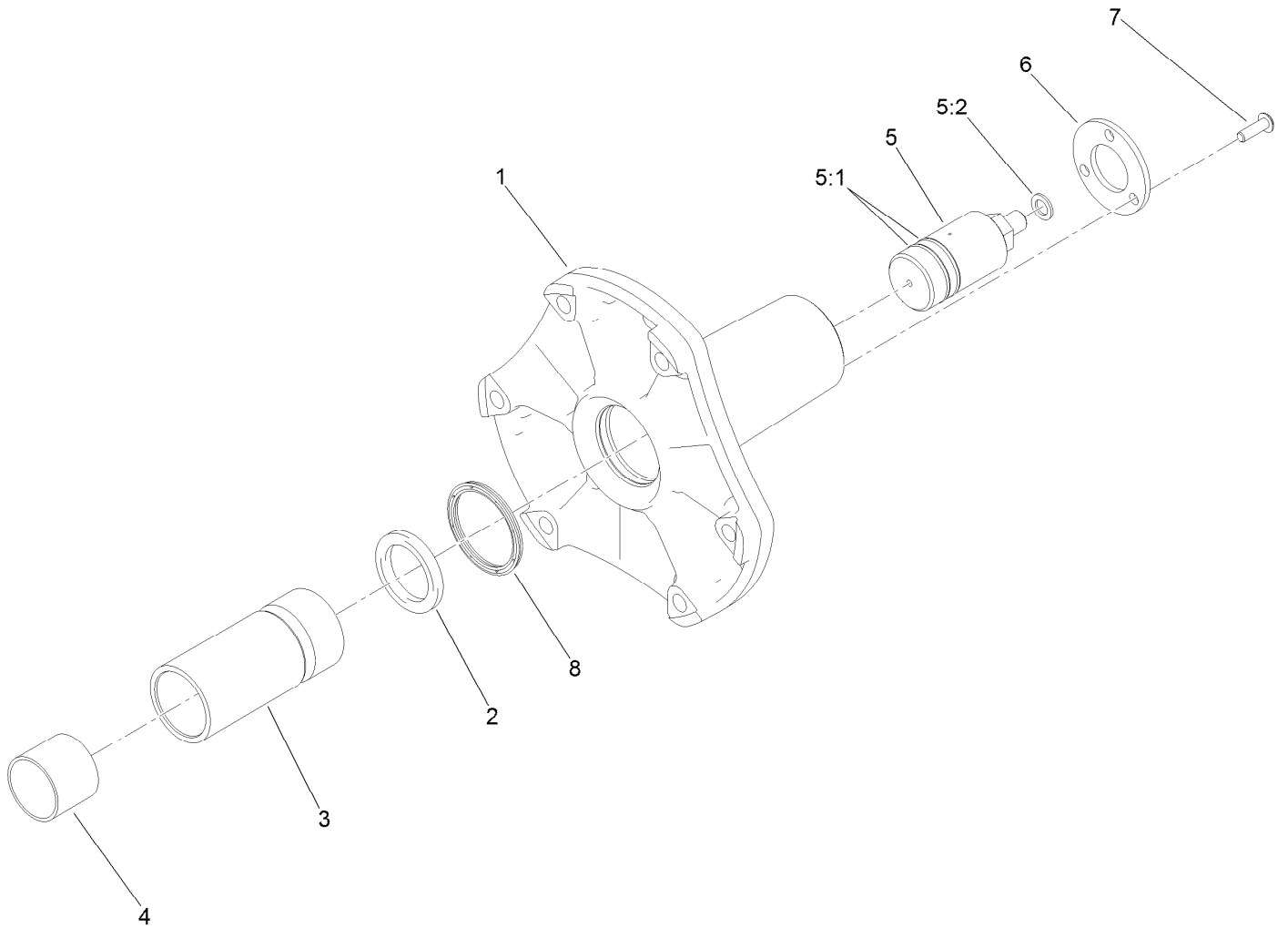
Primary Clutch Assembly No. 121-9739

<i>Ref.</i>	<i>Part Number</i>	<i>Qty.</i>	<i>Description</i>
1	119-6016	3	Screw-Shoulder
2	119-6015	3	Nut-Hex, Lock
3	130-4068	1	Cap-Sleeve, Idler
4	130-4069	2	Washer-Thrust
5	119-6019	3	Weight-Clutch
8	130-4067	1	Sleeve-Idler, Primary



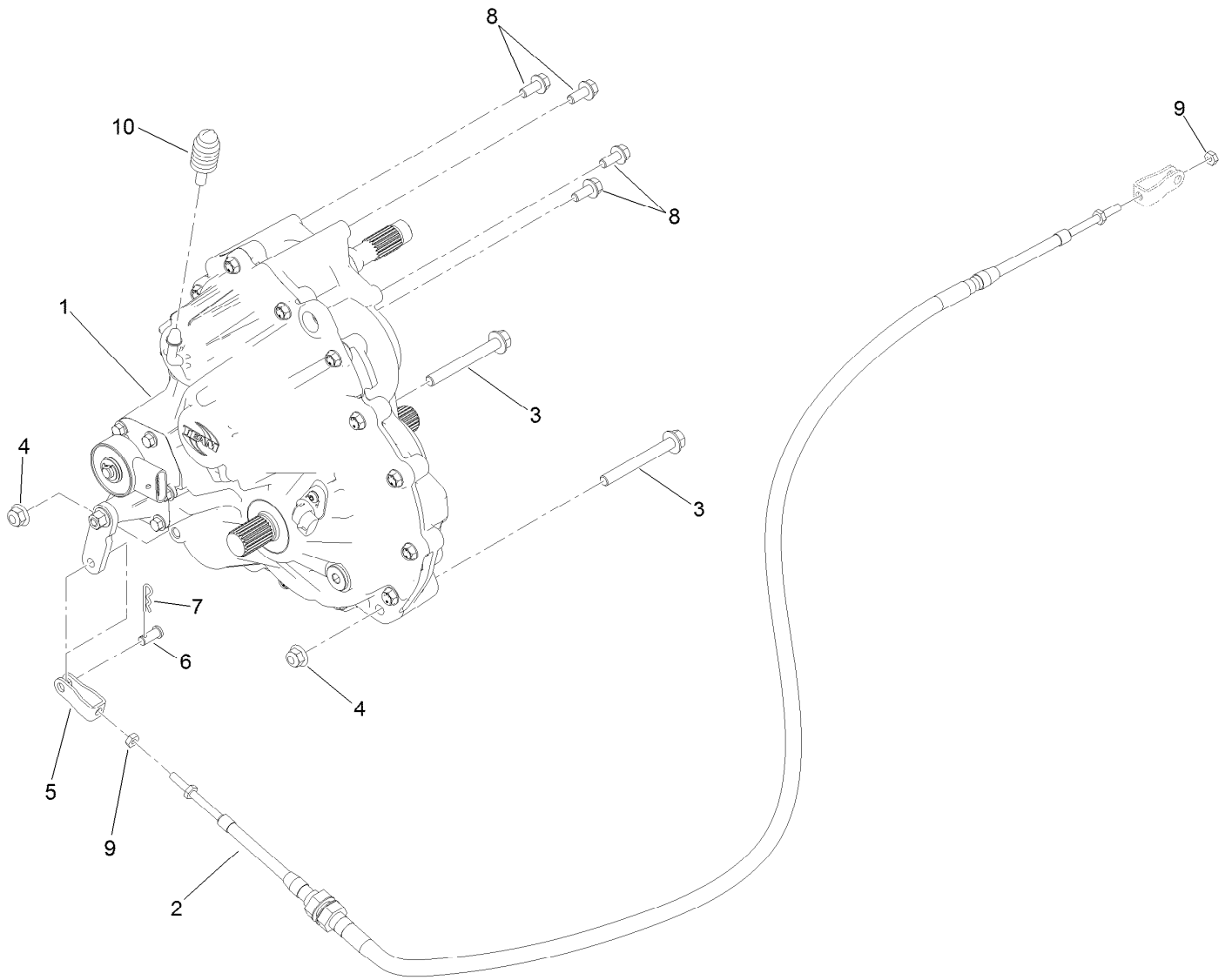
Secondary Clutch Assembly No. 121-9740

<i>Ref.</i>	<i>Part Number</i>	<i>Qty.</i>	<i>Description</i>
1	130-4055	4	Screw
2	130-4056	1	Cam Assembly
3	130-4057	1	Ring-Retaining, EXT
4	130-4058	2	E-Ring
5	130-4059	2	Washer-Thrust
6	130-4060	2	Roller-Clutch, Torlon
8	130-4061	1	Dampener-Spider
10	130-4062	1	Spring-Compression, Red
12	130-4063	2	Pin-Roller
13	130-4064	2	Roller-Clutch, Stanyl
15	130-4065	2	Pin-Spring, Slotted
17	130-4066	1	Bearing-Ball
18	130-4612	1	Ring-Retaining



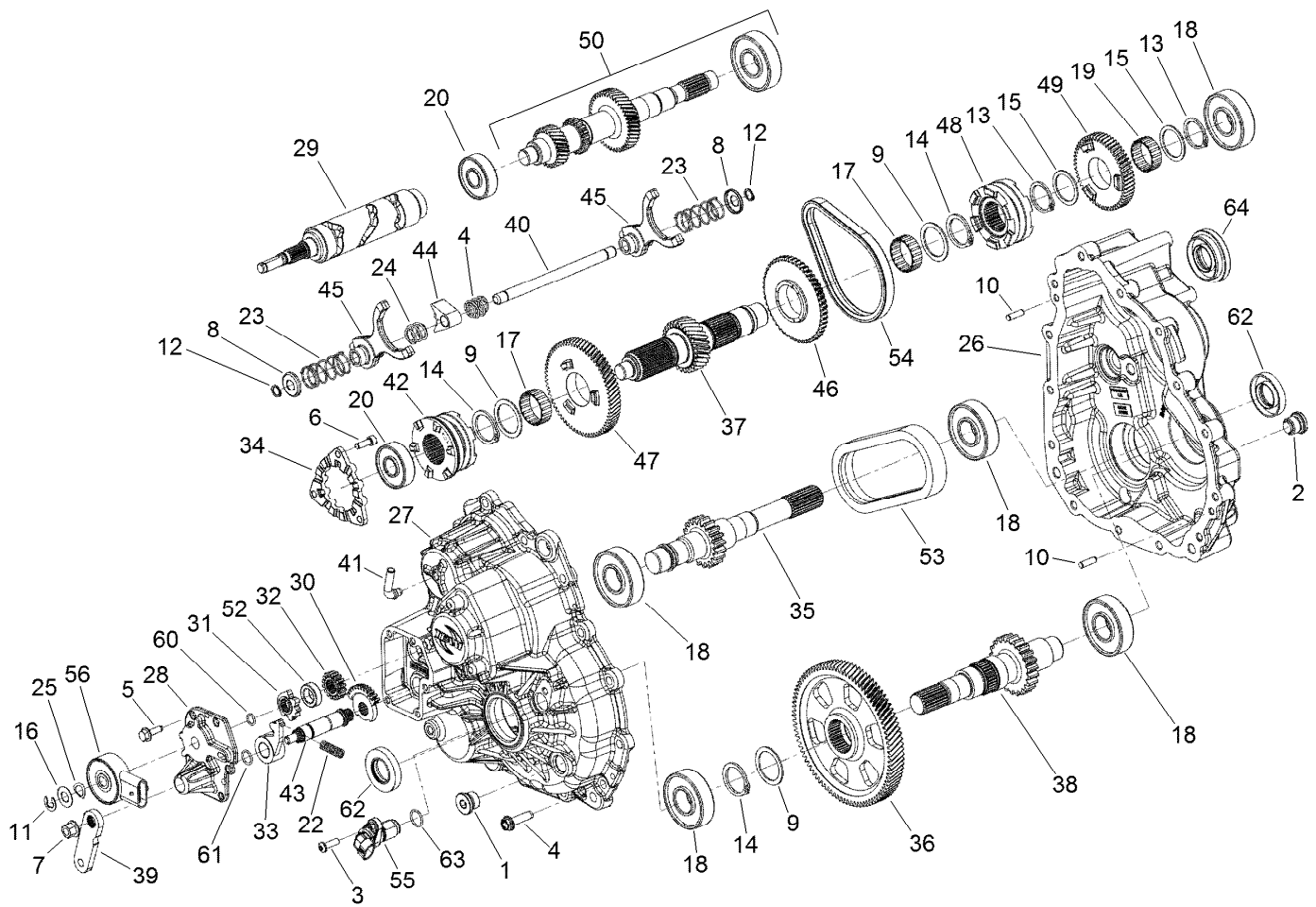
Speed Limiter Cover Assembly

<i>Ref.</i>	<i>Part Number</i>	<i>Qty.</i>	<i>Description</i>
1	127-8743	1	Cover-Control, Speed
2	127-8748	1	Ring-Quad
3	127-8736	1	Piston-HYD
4	121-9730	1	Bushing-Sleeve
5	121-9845	1	Union-Rotary
5:1	127-8861	2	O-Ring
5:2	115-2341	1	Washer-Banjo
6	121-9731	1	Retainer
7	3274-39	3	Screw-HSBH
8	127-8747	1	U-Cup



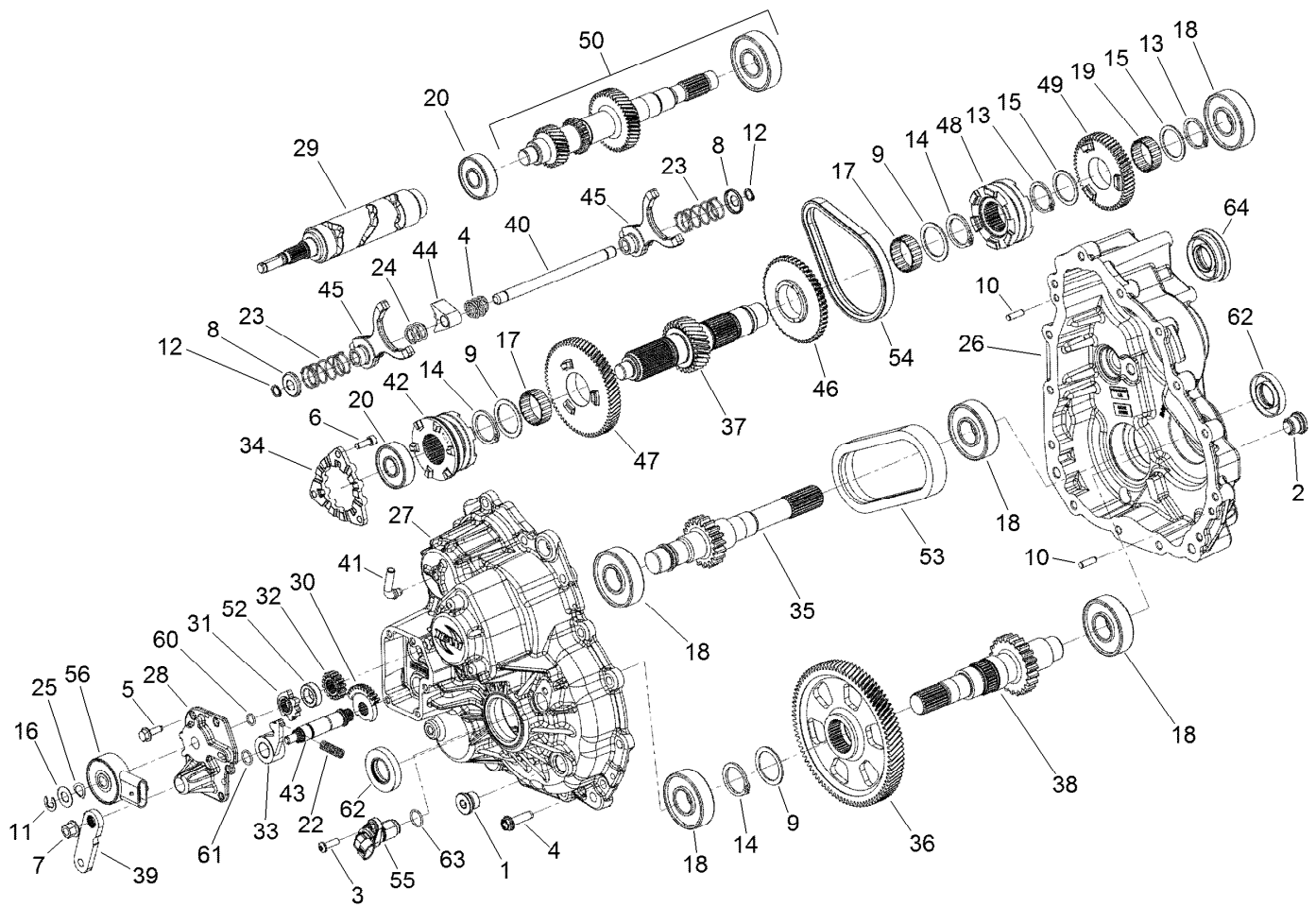
Transmission Assembly

<i>Ref.</i>	<i>Part Number</i>	<i>Qty.</i>	<i>Description</i>
1	121-9603	1	Transmission
2	121-9843	1	Cable-Shift
3	3234-41	2	Screw-HHF
4	104-8301	2	Nut-HF, NI
5	87-2310	1	Clevis-Cable
6	283-62	1	Pin-Clevis
7	3290-307	1	Pin-Cotter
8	3234-5	5	Screw-HHF
9	3220-1	2	Nut-Jam
10	127-8859	1	Bellows-Breather



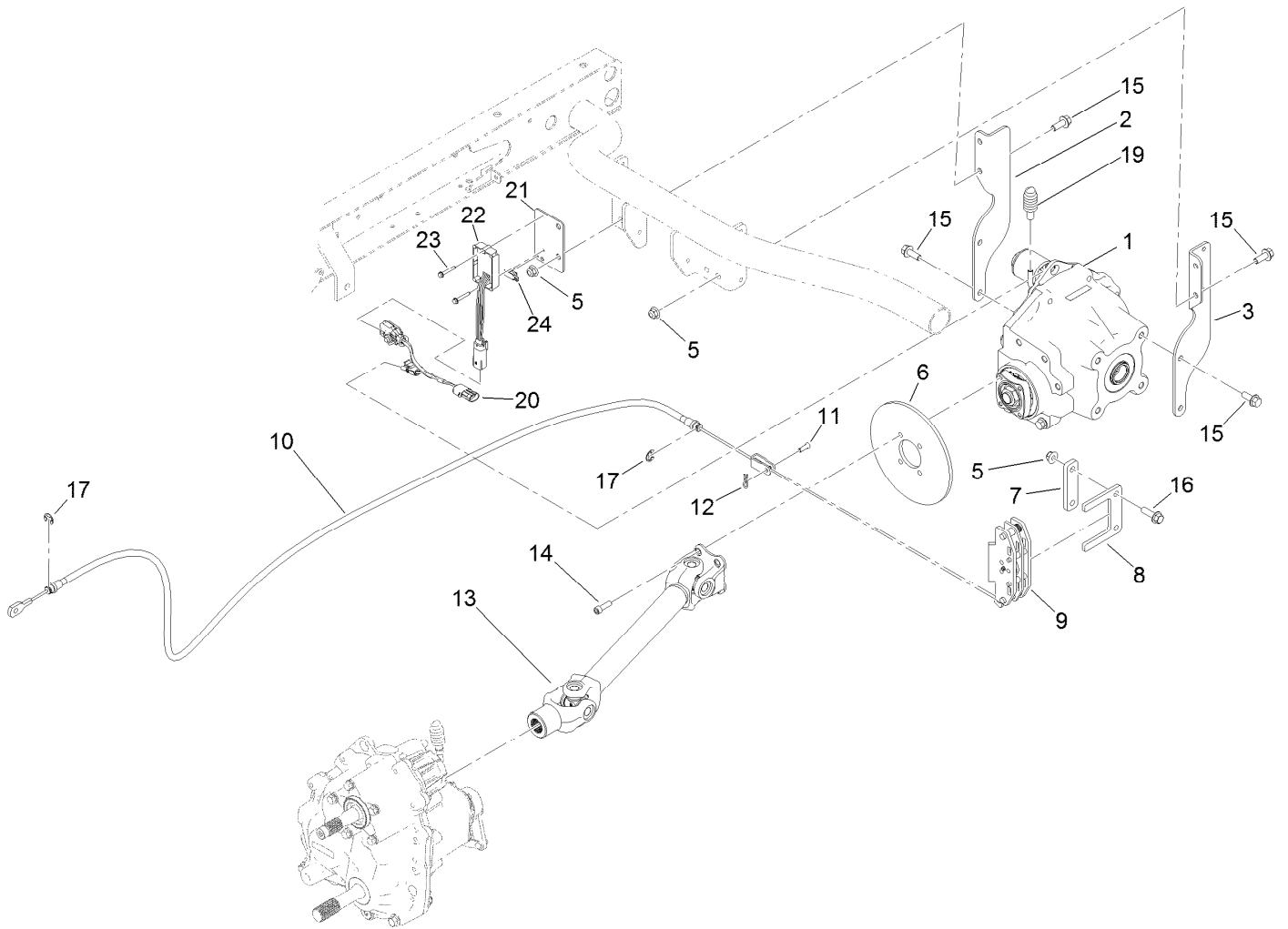
Transmission Assembly No. 121-9603

Ref.	Part Number	Qty.	Description	Ref.	Part Number	Qty.	Description
1	130-4600	1	Plug	23	130-4620	2	Spring-Compression
2	130-4601	1	Plug-Magnetic	24	130-4621	2	Spring-Compression
3	130-4602	1	Screw	25	130-4622	1	Spring-Washer
4	130-4603	14	Screw	26	130-4624	1	Gearcase-Front
5	130-4604	5	Screw	27	130-4625	1	Gearcase-Rear
6	130-4605	3	Screw	28	130-4626	1	Cover-Gear, Sector
7	130-4606	1	Nut	29	130-4627	1	Drum-Shift
8	130-4607	2	Washer-Cup	30	130-4628	1	Gear-Sector, 31T
9	130-4608	3	Washer	31	130-4629	1	Star-Detent
10	130-4609	2	Pin-Dowel	32	130-4630	1	Gear-Sector, 16T
11	130-4610	1	Ring-Snap	33	130-4631	1	Pawl-Detent
12	130-4611	2	Ring-Retaining	34	130-4632	1	Plate-Park, 12-Face
13	130-4612	2	Ring-Retaining	35	130-4636	1	Shaft-Output, Front (22T)
14	130-4613	3	Ring-Snap, EXT	36	130-4633	1	Gear-Helical, 88T
15	130-4614	2	Washer-Thrust	37	130-4634	1	Shaft-Reverse, 29T
16	130-4615	1	Washer-Thrust	38	130-4635	1	Shaft-Output, Rear (22T)
17	130-4616	2	Bearing-Needle	39	130-4637	1	Bellcrank-180 Degree
18	130-4617	5	Bearing-Ball	40	130-4638	1	Shaft
19	130-4618	1	Bearing-Needle	41	130-4639	1	Tube-Vent
20	130-4619	2	Bearing-Ball	42	130-4647	1	Dog-Shift, Park
22	130-4623	1	Spring-Compression	43	130-4640	1	Shaft-Shift



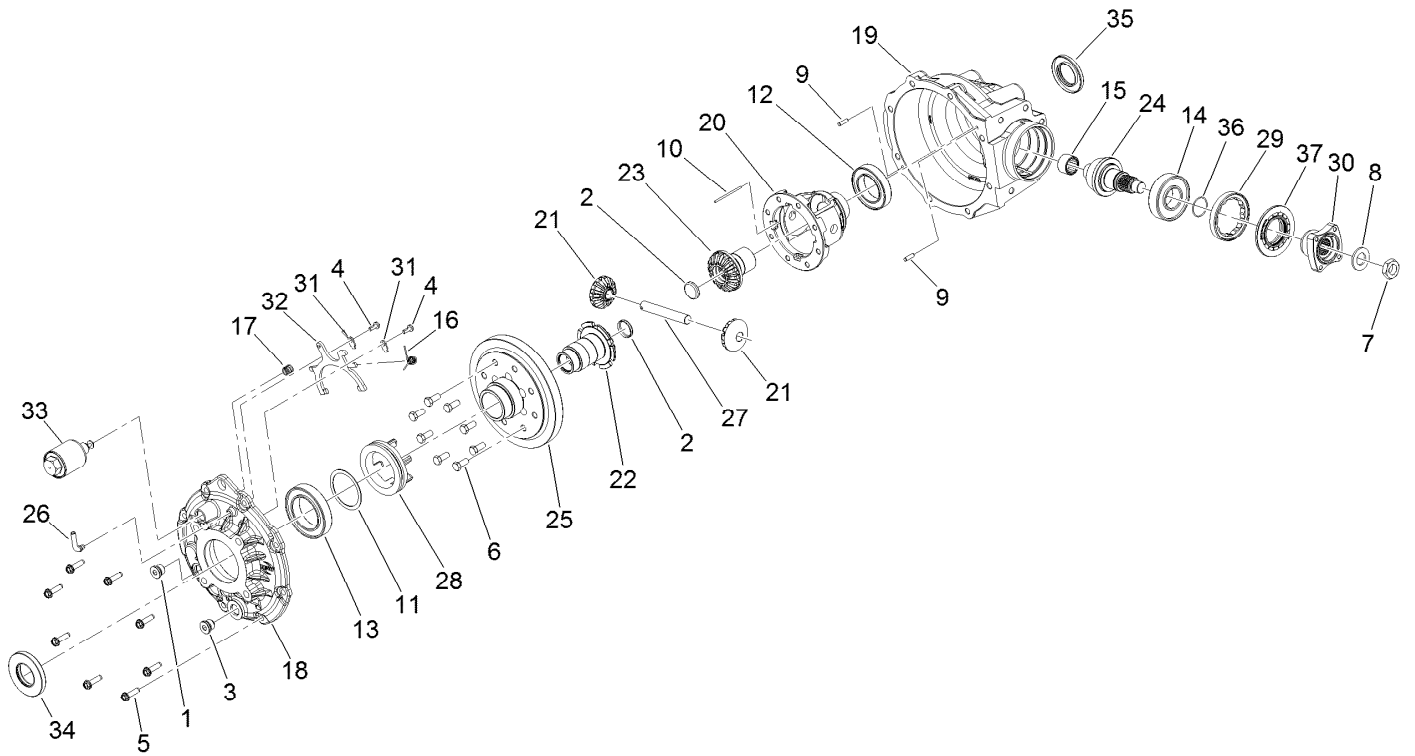
Transmission Assembly No. 121-9603 (continued)

<i>Ref.</i>	<i>Part Number</i>	<i>Qty.</i>	<i>Description</i>	<i>Ref.</i>	<i>Part Number</i>	<i>Qty.</i>	<i>Description</i>
44	130-4641	1	Collar-Shift	54	130-4651	1	Chain-Silent, Type 101
45	130-4642	2	Fork-Shift	55	130-4652	1	Sensor-Speed
46	130-4643	1	Sprocket-48T, 6-Face	56	130-4653	1	Switch-Rotary, 6-Pin
47	130-4644	1	Gear-Low, 67T	60	130-4654	1	O-Ring
48	130-4646	1	Dog-Engagement, 6-Face	61	130-4655	1	O-Ring
49	130-4645	1	Gear-53T	62	130-4656	1	Seal-Lip, Triple
50	130-4648	1	Subassembly-Input	63	130-4657	1	O-Ring
52	130-4649	1	Spacer	64	130-4658	1	Seal-Lip, Triple
53	130-4650	1	Chain-Silent, 11W40P				



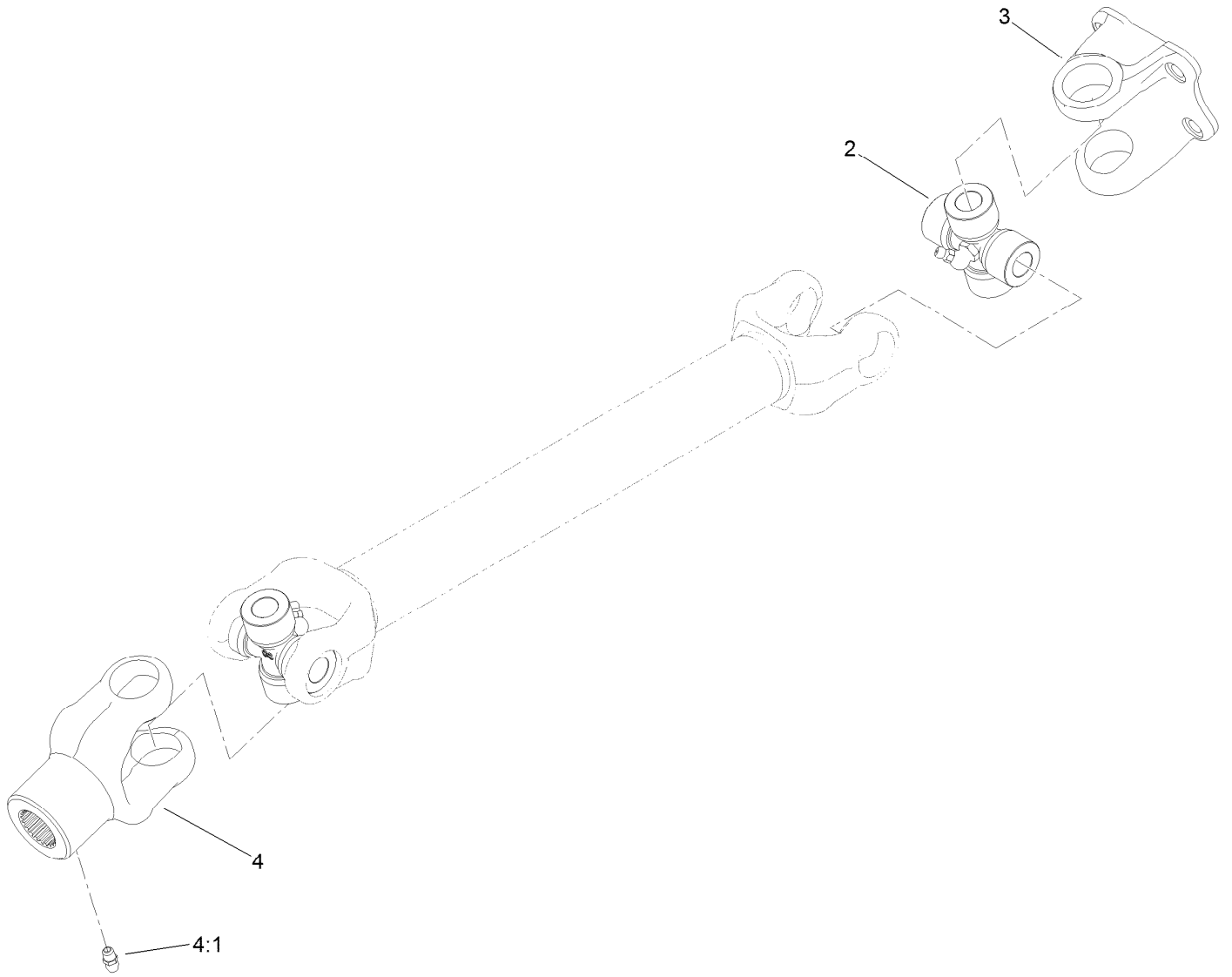
Rear Drive Assembly

<i>Ref.</i>	<i>Part Number</i>	<i>Qty.</i>	<i>Description</i>	<i>Ref.</i>	<i>Part Number</i>	<i>Qty.</i>	<i>Description</i>
1	121-9604	1	Differential ASM	13	121-9832	1	Rear Driveshaft ASM
2	121-9616-03	1	Mount-Rear, RH	14	127-8633	4	Screw-HSH, Lock
3	121-9617-03	1	Mount-Rear, LH	15	3234-11	14	Screw-HHF
5	104-8301	6	Nut-HF, NI	16	119-4061	2	Screw-HHF
6	121-9823	1	Rotor-Brake, Park	17	32120-47	2	Ring-Retaining, External
7	121-9841	1	Spacer-Brake, Park	19	127-8859	1	Bellows-Breather
8	109-0958	1	Plate-Mount, Brake	20	122-0589	1	Harness-Wire
9	109-2889	1	Caliper-Brake	21	127-8894	1	Bracket
10	121-9842	1	Cable-Brake, Park	22	131-8309	1	Controller-Solenoid
11	1-808265	1	Pin-Clevis	23	100-4352	2	Screw-HWH
12	3290-307	1	Pin-Cotter	24	32180-039	1	Clip-Connector, Molex



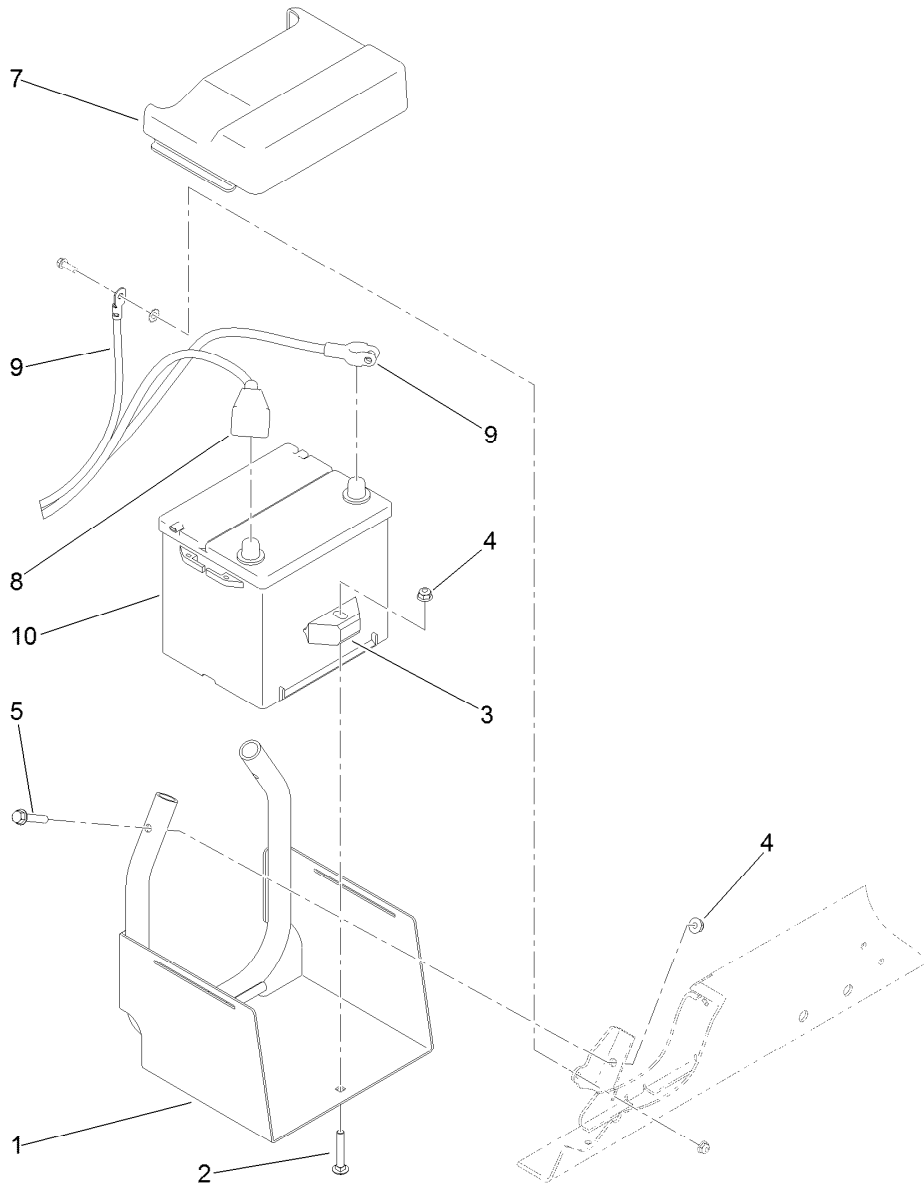
Differential Assembly No. 121-9604

<i>Ref.</i>	<i>Part Number</i>	<i>Qty.</i>	<i>Description</i>	<i>Ref.</i>	<i>Part Number</i>	<i>Qty.</i>	<i>Description</i>
1	130-4600	1	Plug	20	130-4674	1	Housing-Differential
2	130-4691	2	Plug-Expansion	21	130-4677	2	Pinion-Differential, 12T
3	130-4601	1	Plug-Magnetic	22	130-4678	1	Gear-Output, 16T
4	130-4660	2	Screw	23	130-4679	1	Gear-Output, 16T
5	130-4603	8	Screw	24	130-4675	1	Pinion-Spiral, 10T
6	130-4661	8	Screw-Cap, HH	25	130-4676	1	Gear-Spiral, 37T
7	130-4662	1	Nut-Hex	26	130-4639	1	Tube-Vent
8	130-4663	1	Washer-Locking	27	130-4680	1	Pin-Pinion, Differential
9	130-4609	2	Pin-Dowel	28	130-4681	1	Dog-Engagement, 6 Pin
10	130-4664	1	Pin-Dowel	29	130-4683	1	Collar-Lock
11	130-4665	1	Shim	30	130-4682	1	Coupler
12	130-4666	1	Bearing-Ball	31	130-4684	2	Retainer-Fork
13	130-4667	1	Bearing-Ball	32	130-4685	1	Fork-Pivot, Shift
14	130-4668	1	Bearing-Ball	33	130-4686	1	Solenoid
15	130-4669	1	Bearing-Needle	34	130-4687	1	Seal-Lip, Triple
16	130-4671	1	Spring-Torsion, Return	35	130-4688	1	Seal-Lip, Triple
17	130-4670	1	Spring-Compression	36	130-4689	1	O-Ring
18	130-4672	1	Cover-Output	37	130-4690	1	Seal-Lip, Triple
19	130-4673	1	Gearcase				



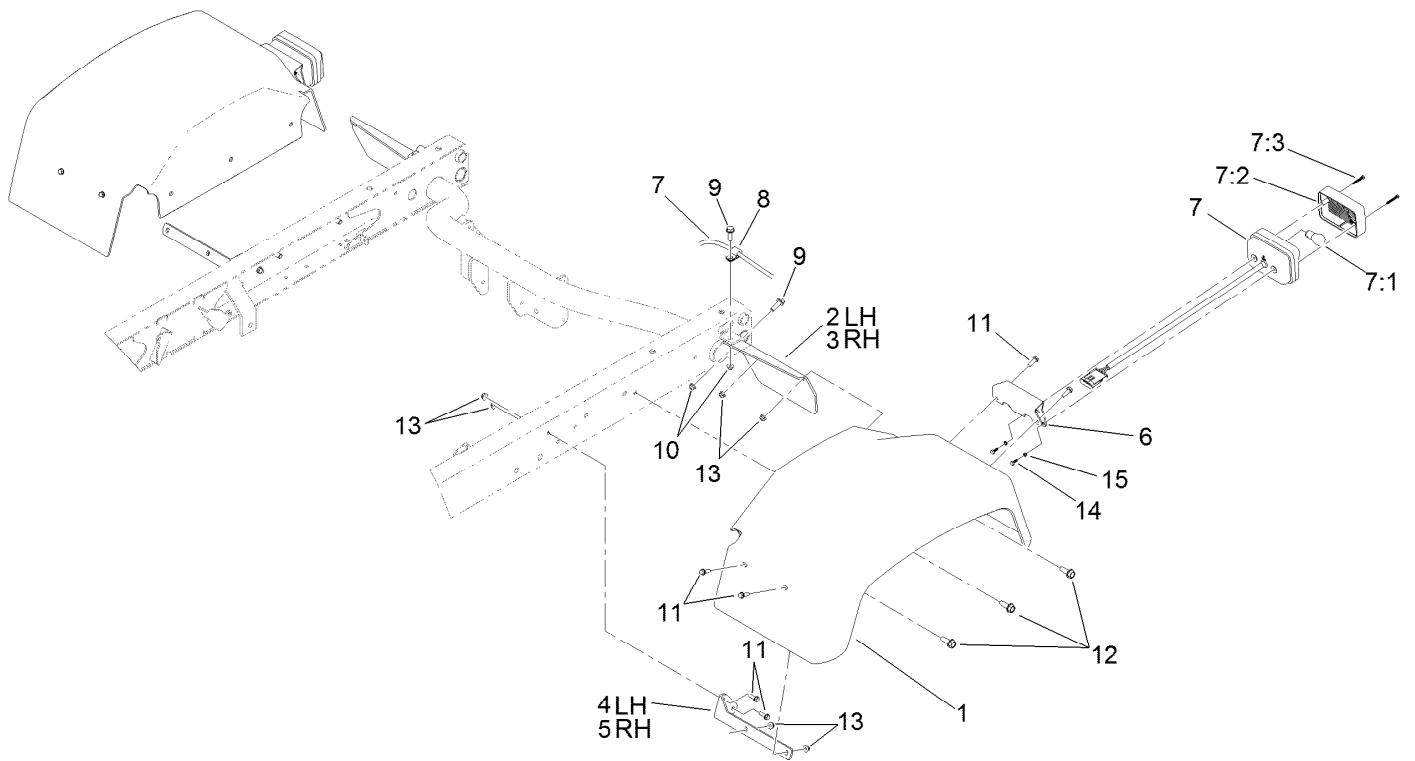
Driveshaft Assembly No. 121-9832

<i>Ref.</i>	<i>Part Number</i>	<i>Qty.</i>	<i>Description</i>
2	121-9880	2	U-Joint
3	121-9822	1	Yoke-Flange
4	121-9879	1	Yoke-Slip
4:1	106-1104	1	Fitting-Grease



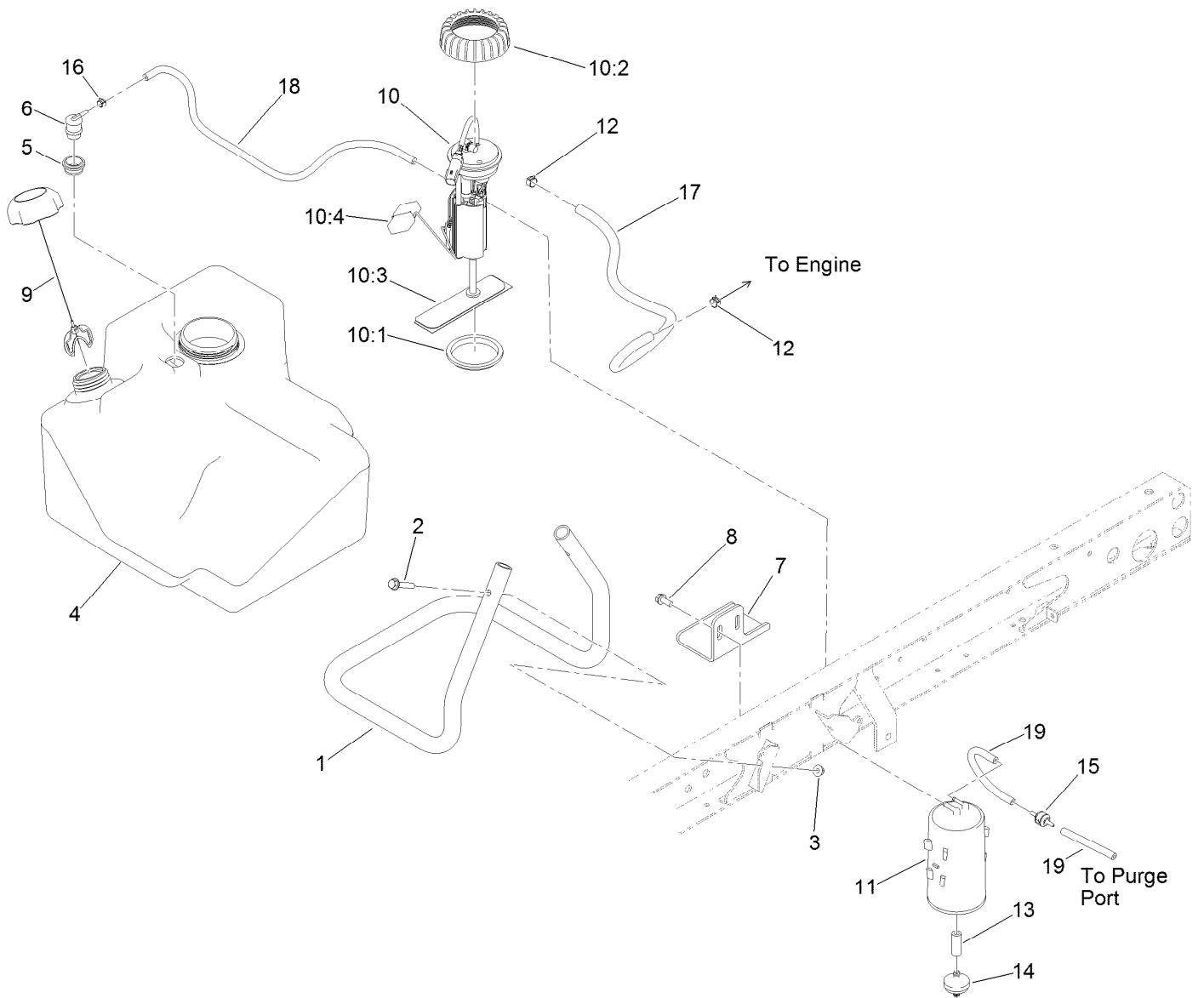
Battery Installation Assembly

<i>Ref.</i>	<i>Part Number</i>	<i>Qty.</i>	<i>Description</i>
1	115-2237-03	1	Tray-Battery
2	3230-6	1	Screw-CARR
3	66-2490	1	Retainer-Battery
4	104-8300	3	Nut-HF, NI
5	94-5780	2	Screw-HWH
7	119-9496	1	Cover-Battery
8	122-0122	1	Cable-Battery, Positive
9	122-0121	1	Cable-Battery, Negative
10	106-5187	1	Battery-Dry



Rear Tail Light and Fender Assembly

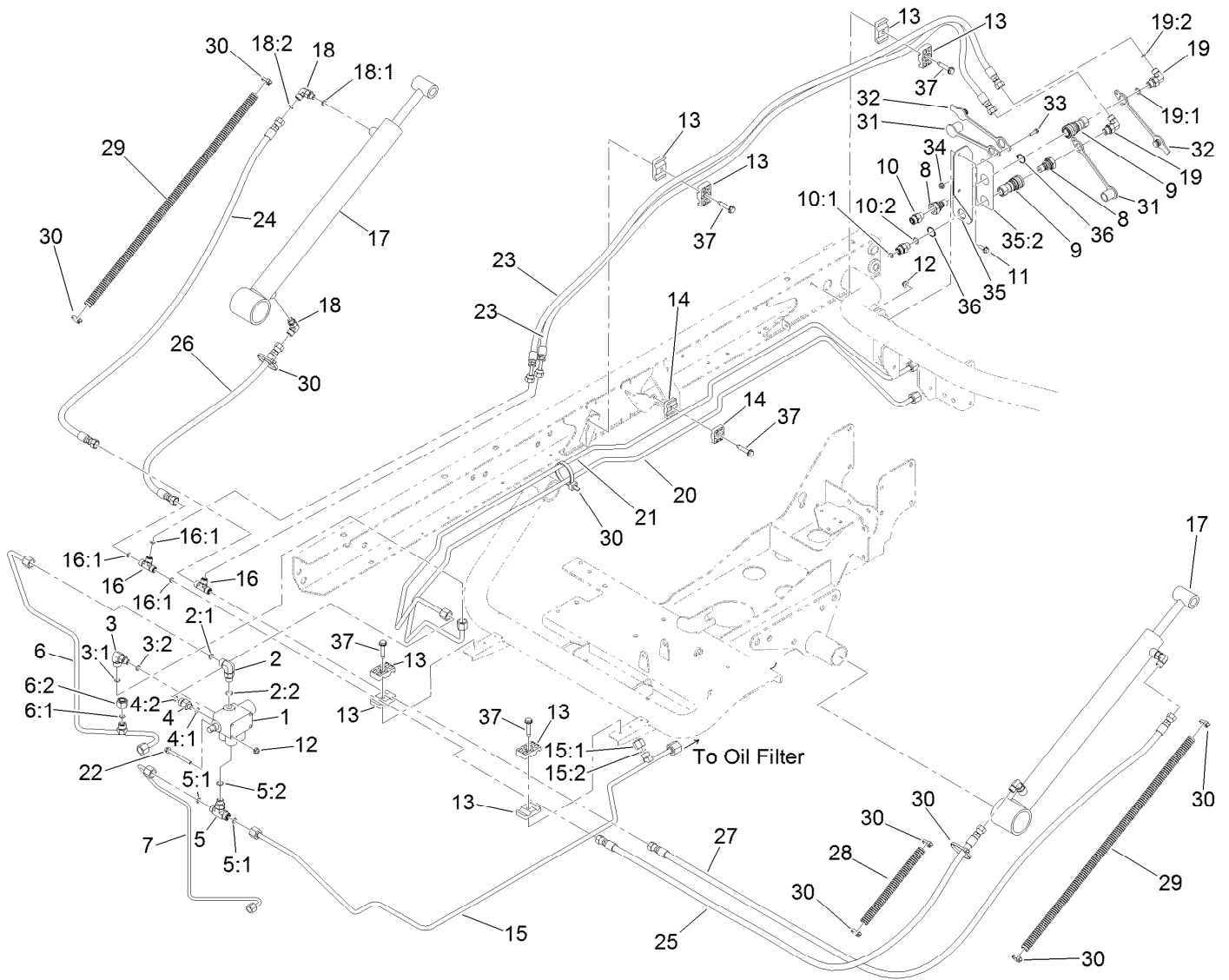
<i>Ref.</i>	<i>Part Number</i>	<i>Qty.</i>	<i>Description</i>	<i>Ref.</i>	<i>Part Number</i>	<i>Qty.</i>	<i>Description</i>
1	87-6660	2	Fender-Rear	7:3	121-6272	2	Screw-PPH
2	93-8943-03	1	Bracket-Fender, Rear (LH)	8	2412-93	2	Clamp-R
3	93-8944-03	1	Bracket-Fender, Rear (RH)	9	3234-17	4	Screw-HHF
4	93-8941-03	1	Bracket-Fender, Front (LH)	10	104-8300	4	Nut-HF, NI
5	93-8942-03	1	Bracket-Fender, Front (RH)	11	32105-15	12	Screw-HWH
6	121-6269-03	2	Bracket-Light, Tail	12	105-6245	6	Screw-Tapping
7	120-4820	2	Light-Tail, Brake	13	104-7201	12	Nut-HF
7:1	115-7858	1	Bulb-7528	14	121-6320	4	Screw-HH
7:2	121-6271	1	Lens-Light, Tail	15	43-5920	4	Washer-Lock, Spring



Fuel System Assembly

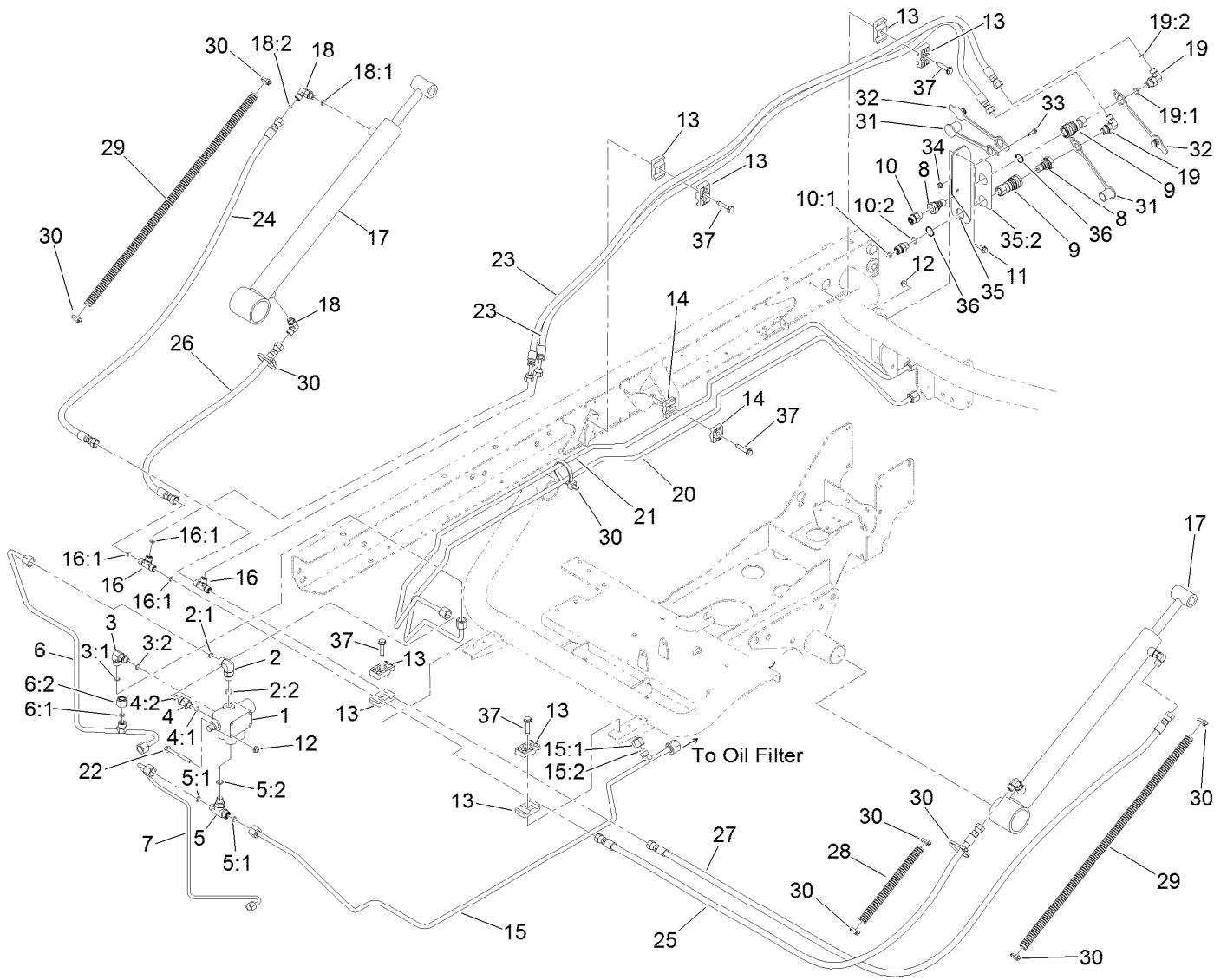
Ref.	Part Number	Qty.	Description
1	115-7767-03	1	Tube-Support
2	94-5780	2	Screw-HWH
3	104-8300	2	Nut-HF, NI
4	115-7700	1	Tank-Fuel
5	114-0284	1	Grommet
6	114-0285	1	Valve-Rollover
7	114-8404	1	Plate-Retainer
8	32144-11	2	Screw-HWHTF
9	115-7788	1	Cap-Fuel
10	127-8801	1	Fuel Pump ASM
10:1	115-2163	1	Gasket-Pump, Fuel
10:2	115-2162	1	Cap-Pump, Fuel

Ref.	Part Number	Qty.	Description
10:3	115-7818	1	Fuel Filter ASM
10:4	120-4812	1	Float
11	127-8685	1	Canister-Carbon
12	92-2379	2	Clamp-Hose
13	106-5317	1	Hose-Fuel
14	115-7854	1	Filter-Fuel, Inline
15	115-7868	1	Valve-Check, Vacuum
16	2412-146	1	Clamp-Hose
17	109-0279	1	Hose-Fuel
18	121-0780	1	Hose-Fuel
19	115-7871	2	Hose-Fuel



Hydraulic Lift Valve Assembly

Ref.	Part Number	Qty.	Description	Ref.	Part Number	Qty.	Description
1	43-1950	1	HYD Control Valve ASM	10:2	237-42	1	O-Ring
2	340-77	1	Fitting-Elbow, 90 DEG	11	3234-4	2	Screw-HHF
2:1	237-22	1	O-Ring	12	104-7201	2	Nut-HF
2:2	237-42	1	O-Ring	13	56-7976	8	Clamp-Tube
3	340-97	1	Fitting-Elbow, 90 DEG	14	56-7973	2	Clamp-Tube
3:1	237-22	1	O-Ring	15	121-9859	1	Tube-HYD
3:2	237-78	1	O-Ring	15:1	237-22	1	O-Ring
4	340-88	1	Fitting-Straight	15:2	340-117	1	Cap
4:1	237-22	1	O-Ring	16	340-21	2	Fitting
4:2	237-78	1	O-Ring	16:1	237-21	3	O-Ring
5	340-94	1	Adapter	17	106-7939	2	HYD Cylinder ASM
5:1	237-22	2	O-Ring	18	340-132	4	Fitting-Elbow, 90
5:2	237-42	1	O-Ring	18:1	237-78	1	O-Ring
6	127-8604	1	Tube-HYD	18:2	237-21	1	O-Ring
6:1	237-22	1	O-Ring	19	340-82	2	Fitting-Elbow, 90
6:2	340-117	1	Cap	19:1	237-42	1	O-Ring
7	127-8605	1	Tube-HYD	19:2	237-21	1	O-Ring
8	106-7969	2	Coupler-Quick, Male	20	121-9862	1	Tube-HYD
9	106-7968	2	Coupler-Quick, Female	21	121-9863	1	Tube-HYD
10	340-2	2	Fitting-Straight	22	114-8410	2	Screw-HHF
10:1	237-22	1	O-Ring	23	121-9875	2	Hose ASM-HYD HP



Hydraulic Lift Valve Assembly (continued)

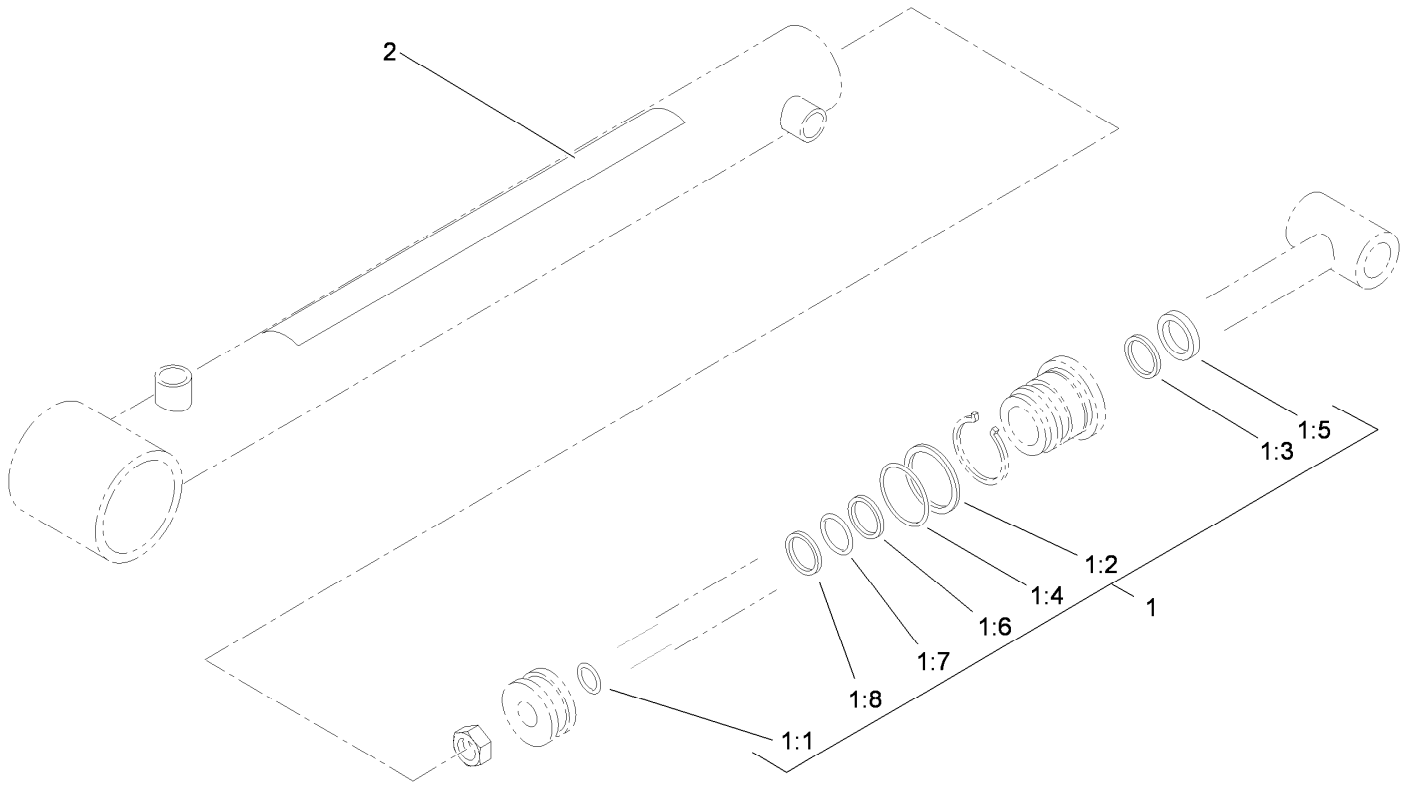
<i>Ref.</i>	<i>Part Number</i>	<i>Qty.</i>	<i>Description</i>	<i>Ref.</i>	<i>Part Number</i>	<i>Qty.</i>	<i>Description</i>
24	115-7711	1	Hose-HYD	32	106-7882	2	Plug-Dust, HYD
25	104-3751	1	Hose ASM-CYL, Lift	33	32105-13	1	Screw-HWH
26	108-6505	1	Hose-HYD	34	3290-148	1	Nut-HF
27	98-4587	1	HYD Hose ASM	35	115-7715	1	Coupler Bracket ASM
28	24-7922	1	Conduit-Convoluted, Split	35:2	115-7723	1	Decal-Disconnect, Quick
29	24-7923	2	Conduit-Convoluted, Split	36	32151-83	2	Ring-Snap
30	3290-379	9	Tie-Cable	37	32144-57	5	Screw
31	106-7881	2	Cap-Dust, HYD				



Control Valve Assembly No. 43-1950

Ref.	Part Number	Qty.	Description
1	22-8330	2	Plug
2	237-42	2	O-Ring
3	22-8340	2	Spring
4	22-8350	2	Ball
5	22-8370	2	Seat-Valve
6	22-8360	2	Pin
7		1	Body ●
8	22-8420	1	Spool
9	22-8500	2	O-Ring
10	22-8380	2	Retainer
11	22-8410	1	Spring
12	23-3030	1	Spacer
13	22-8480	1	Ring-Snap
14	22-8490	1	Ring-Snap

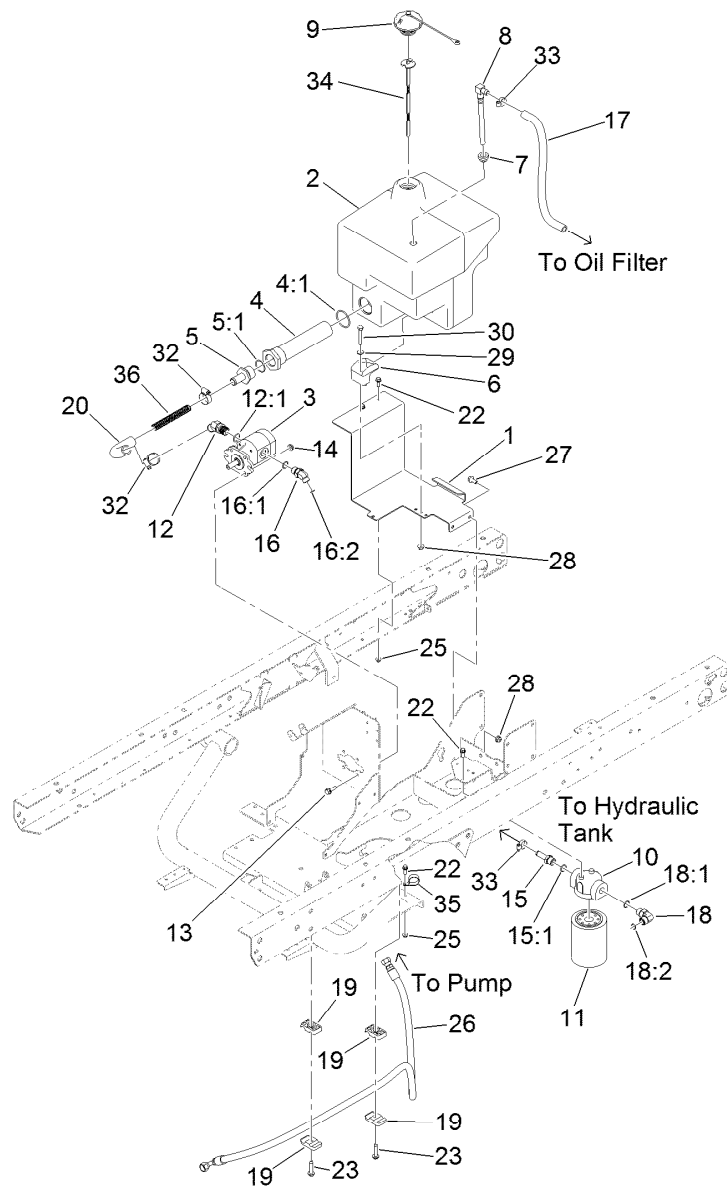
● Not serviced separately



Hydraulic Cylinder Assembly No. 106-7939

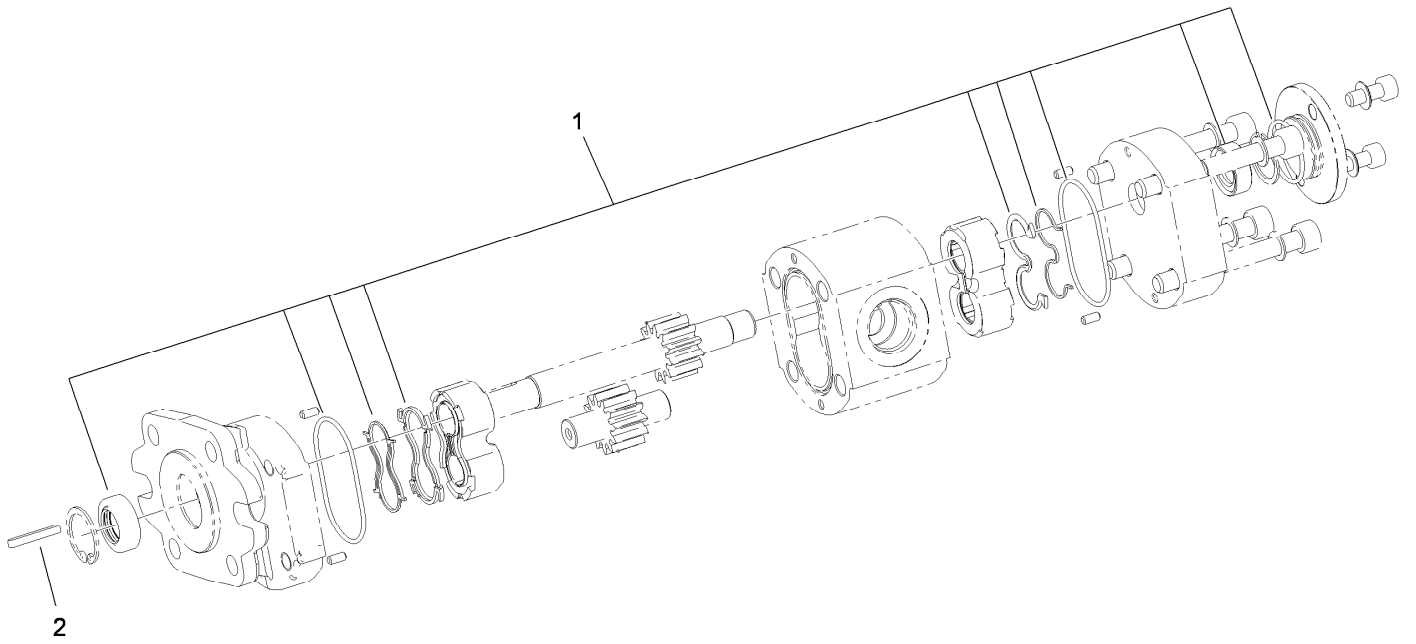
<i>Ref.</i>	<i>Part Number</i>	<i>Qty.</i>	<i>Description</i>
1	106-7941	1	Seal Kit
1:1		1	O-Ring ●
1:2		1	O-Ring ●
1:3		1	Seal ●
1:4		1	Back-Up ●
1:5		1	Wiper ●
1:6		1	Seal ●
1:7		1	O-Ring ●
1:8		1	Ring-Wear ●
2	93-9852	1	Decal-Warning

● Not serviced separately



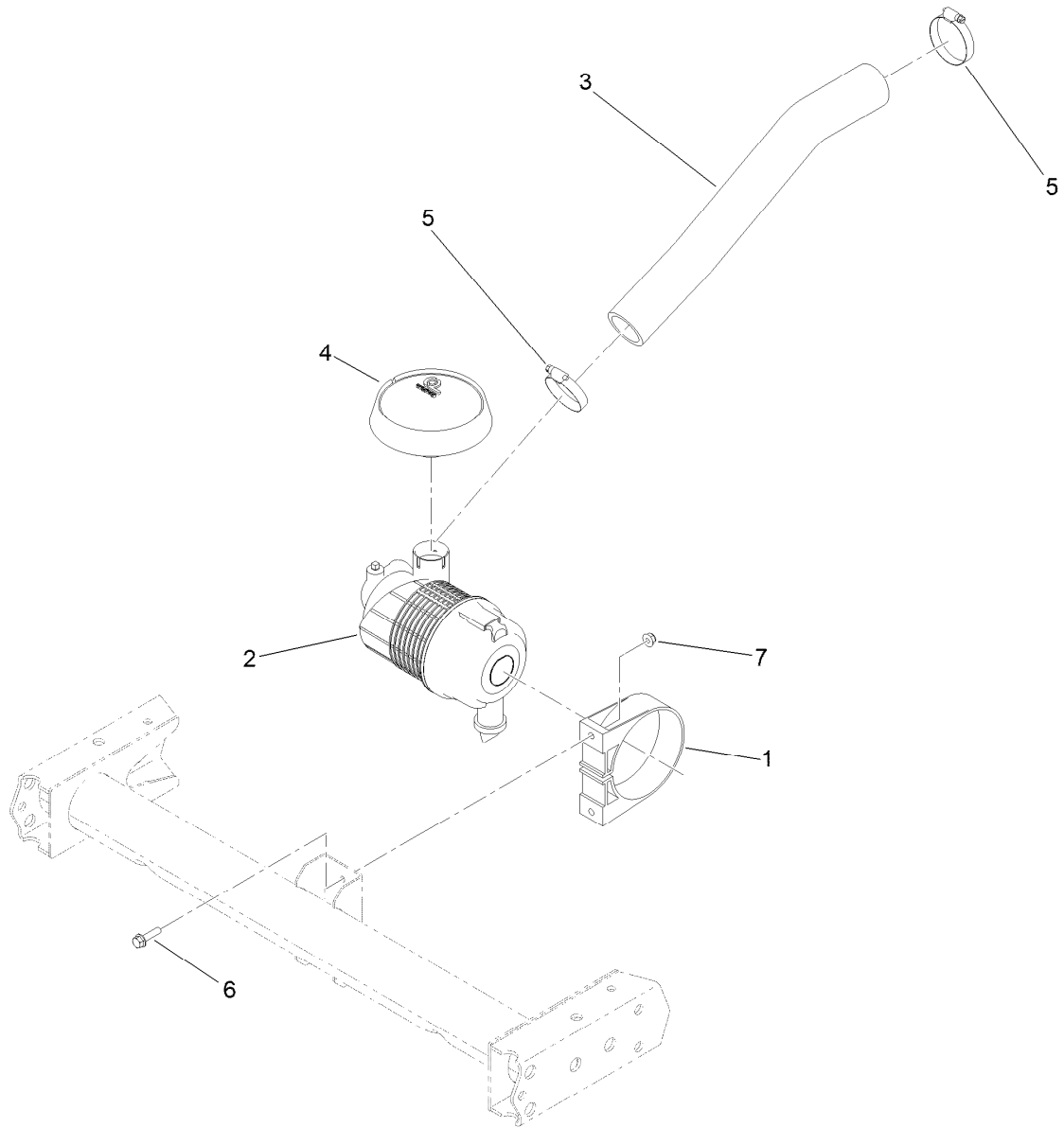
Hydraulic Pump, Tank and Filter Assembly

Ref.	Part Number	Qty.	Description	Ref.	Part Number	Qty.	Description
1	121-9814-03	1	Mount-Tank, Hydraulic	16:2	237-22	1	O-Ring
2	121-9813	1	Tank-HYD	17	114-8438	1	Hose-HYD
3	114-8302	1	HYD Pump ASM	18	340-98	1	Fitting-Elbow, 90 DEG
4	115-2230	1	Strainer-In Tank	18:1	237-79	1	O-Ring
4:1	340-136	1	O-Ring	18:2	237-30	1	O-Ring
5	99-6932	1	Fitting-STR	19	56-7970	4	Clamp-Tube
5:1	237-117	1	O-Ring	20	98-2713	1	Hose-Suction, HYD
6	107-4543	1	Clamp	22	115-5103	5	Screw-HHF
7	104-0790	1	Bushing	23	32144-57	2	Screw
8	104-0791	1	Pipe-Stand	25	104-7201	5	Nut-HF
9	115-7877	1	Cap-Oil, HYD	26	121-9874	1	HYD Hose ASM
10	87-8780	1	Head-Filter	27	3234-47	2	Screw-HHF
11	54-0110	1	Filter-Oil, Transmission	28	104-8300	3	Nut-HF, NI
12	99-6929	1	Fitting-Elbow45	29	3256-23	1	Washer-Plain
12:1	237-80	1	O-Ring	30	322-10	1	Screw-HH
13	3234-17	4	Screw-HHF	32	2412-129	2	Clamp-Hose
14	32128-20	4	Nut-HF	33	2412-36	2	Clamp-Hose
15	354-121	1	Fitting-STR	34	121-9885	1	Dipstick
15:1	237-79	1	O-Ring	35	2412-106	1	Clamp-R
16	340-138	1	Fitting-HYD, 45 DEG	36	99-5349	1	Spring-Compression
16:1	237-79	1	O-Ring				



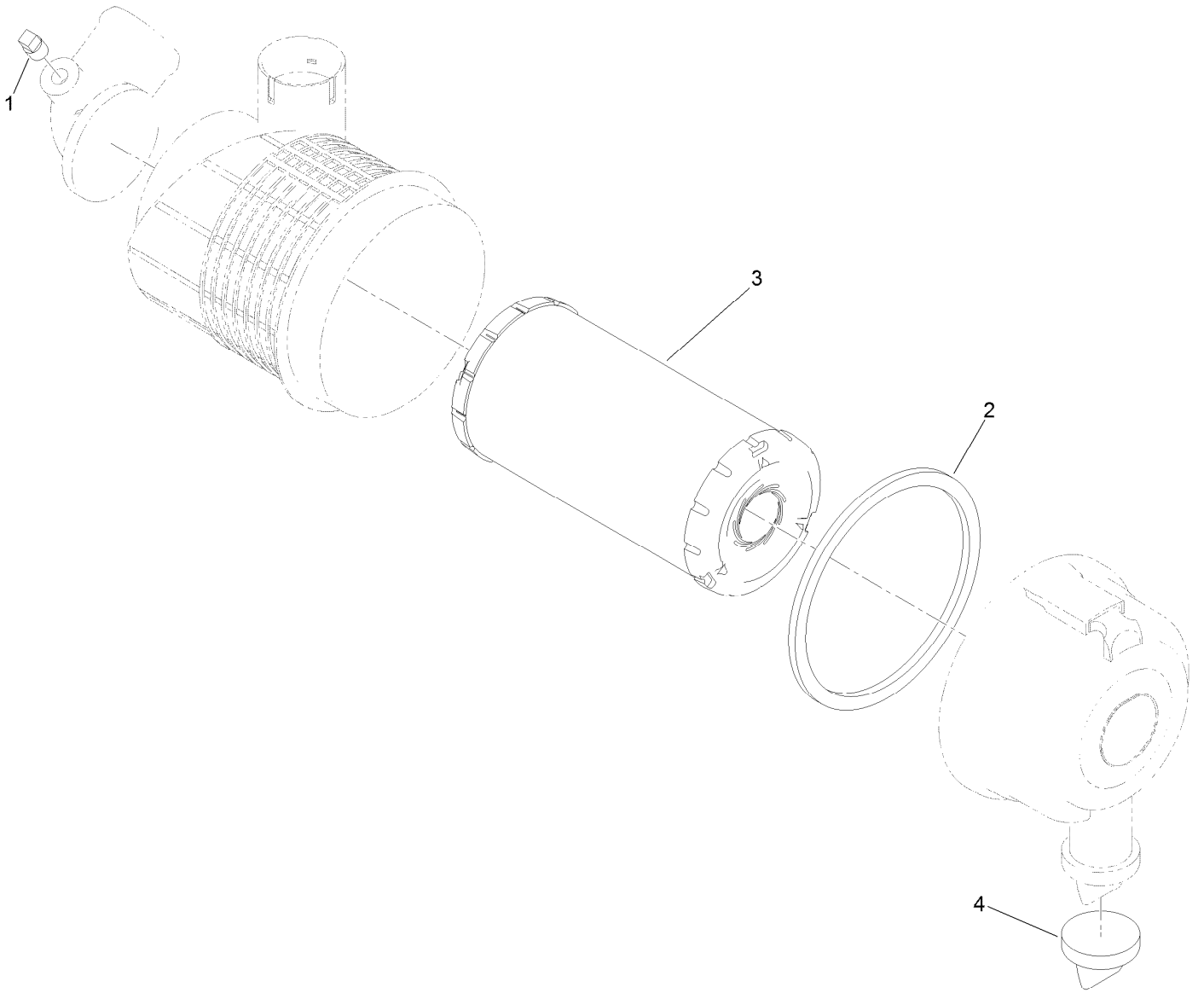
Hydraulic Gear Pump Assembly No. 114-8302

<i>Ref.</i>	<i>Part Number</i>	<i>Qty.</i>	<i>Description</i>
1	115-8696	1	Seal Kit
2	115-7855	1	Key-Square



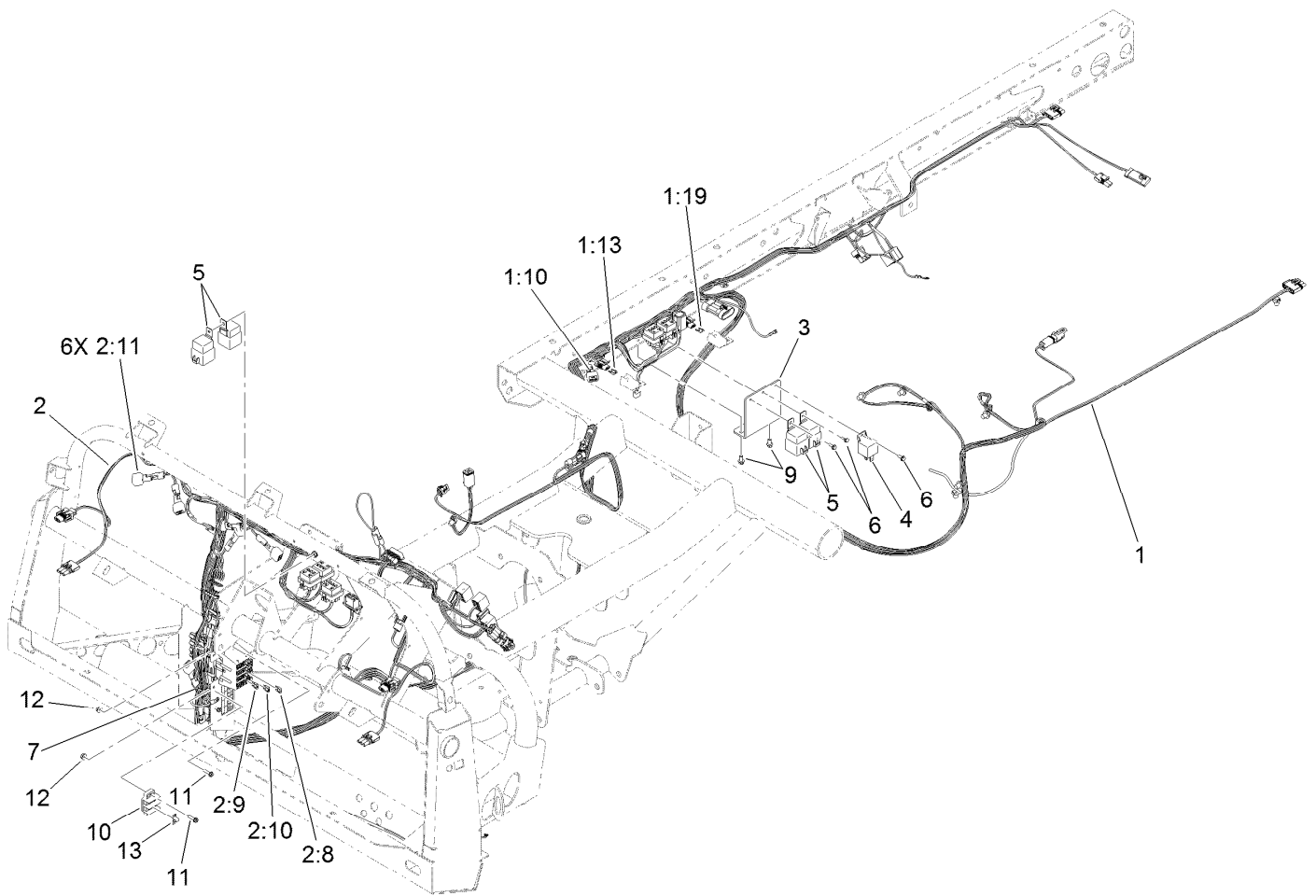
Air Cleaner Assembly

<i>Ref.</i>	<i>Part Number</i>	<i>Qty.</i>	<i>Description</i>
1	95-5806	1	Bracket-Mounting
2	119-9714	1	Air Cleaner ASM
3	121-9852	1	Hose-Intake, Engine
4	120-4848	1	Hood-Inlet, Air
5	2412-130	2	Clamp-Hose
6	3234-36	2	Screw-HHF
7	104-8300	2	Nut-HF, NI



Air Cleaner Assembly No. 119-9714

<i>Ref.</i>	<i>Part Number</i>	<i>Qty.</i>	<i>Description</i>
1	285-17	1	Plug-Pipe
2	106-6748	1	Gasket
3	108-3811	1	Filter-Air
4	104-0498	1	Valve-Vacuator



Electrical Assembly

<i>Ref.</i>	<i>Part Number</i>	<i>Qty.</i>	<i>Description</i>
1	122-0089	1	Harness-Wire, Rear
1:10	100-4918	1	Diode
1:13	121-8870	1	Fuse-Mini Blade, 30 Amp
1:19	121-8867	1	Fuse-Mini Blade, 15 Amp
2	122-0088	1	Harness-Wire, Front
2:8	121-8866	4	Fuse-Mini Blade, 10 Amp
2:9	121-8867	3	Fuse-Mini Blade, 15 Amp
2:10	121-8870	1	Fuse-Mini Blade, 30 Amp
2:11	100-4918	6	Diode
3	121-9893	1	Bracket-Relay

<i>Ref.</i>	<i>Part Number</i>	<i>Qty.</i>	<i>Description</i>
4	99-7435	1	Relay-Power
5	99-7430	4	Relay
6	32144-112	3	Screw-HWH
7	3290-379	1	Tie-Cable
9	32144-4	2	Screw-HWH
10	42862	1	Block-Terminal, Ground
11	32105-13	4	Screw-HWH
12	3290-148	4	Nut-HF
13	42863	1	Strip-Jumper

Attachments and Accessories

For 07390 Workman HDX-Auto Utility Vehicle

Product Name	Model/Part
Full Area Flatbed	07301
Full Area Flatbed Side Kit	07302
Fold Down Side Kit	07303
2/3 Area Flatbed	07321
2/3 Area Flatbed Side Kit	07322
Bed Liner	07331
Cab	07339
1/3 Area Flatbed	07341
1/3 Area Platform Lift	07347
Heater Kit.....	07349
Canopy	07372
Windshield	07373
Cab Door Kit	07375
Solid Window Cab Door Kit.....	07376
4 Post Roll-Over Protection System.....	07378
4-Wheel Drive Kit.....	07391
High Range Lockout Kit, 2015 and after Workman HDX-Auto Utility Vehicle	07394
High-Flow Hydraulics Kit.....	07395
Hand Throttle Kit.....	07420
Premium All Season Hydraulic Fluid (55 Gallon Drum)	108-1177
Premium All Season Hydraulic Fluid (5 Gallon Pail).....	108-1178
Premium Transmission/Hydraulic Tractor Fluid (55 Gallon Drum).....	108-1183
Premium Transmission/Hydraulic Tractor Fluid (5 Gallon Pail)	108-1184
Premium All Purpose Grease (Tube)	108-1190
Premium All Season Gear Lube (Quart)	108-1590
Filter-Oil.....	108-3847
Remote Hydraulics Manifold Kit.....	110-2626
Tire-Rear, 24x13-12.....	110-5132
Wheel-12in x 8.0in	114-8260
Side Mirror Kit.....	115-7849
Roll-Over Protection System Signal Kit.....	117-4825
Worklight Kit	117-4827
Remote Hydraulic Float Kit	117-4828
Cab Mirror Kit.....	117-4830
Receiver Hitch Kit	117-4831
Trailer Signal Kit	117-4836
24x13-12 Tire and Wheel ASM	117-4838
Manual 4-Wheel Drive Control Kit.....	119-0817
Canopy for Four-Post Roll-Over Protection System Kit.....	119-9457
Road Light and Homologation Kit	120-5030
Brake and Signal Light Kit.....	120-5045
Premium Engine Oil 10w30 (55 Gal).....	121-6392
Premium Engine Oil 10w30 (5 Gallon Pail)	121-6393
Trailer Brake Kit.....	125-0123
Backup Alarm Kit	127-8729
1/3 Area Cover Kit	127-8739

Attachments and Accessories (continued)

High Air Intake Kit	127-8740
MVP Kit 400 Hour Filter Kit	131-8276
Multi Pro WM Turf Sprayer.....	41240
Spreader Base Unit	41253
Vicon Spreader.....	41256
Topdresser 1800.....	44225
Core Harvester Adapter Kit.....	44242
Pro Force Debris Blower.....	44538
Road-Ready Pro Force Debris Blower.....	44539
ProPass 200 Top Dresser with Twin Spinner and Wireless Control	44700
ProPass 200 Top Dresser with Twin Spinner	44701
Automatic Tailgate Release Kit	92-1220
Fuse Block.....	92-2641
Topdresser 1800 Lift Kit.....	92-4452
Spark Arrestor Screen	94-8157
Tire-Rear, 23x8.50-12.....	98-2993
Tire-Rear, Industrial	99-1091

For 07390H Workman HDX-Auto Utility Vehicle

Product Name	Model/Part
Full Area Flatbed	07301
Full Area Flatbed Side Kit	07302
Fold Down Side Kit	07303
2/3 Area Flatbed	07321
2/3 Area Flatbed Side Kit.....	07322
Bed Liner	07331
Cab	07339
1/3 Area Flatbed	07341
1/3 Area Platform Lift.....	07347
Heater Kit.....	07349
Canopy	07372
Windshield	07373
Cab Door Kit	07375
Solid Window Cab Door Kit.....	07376
4 Post Roll-Over Protection System.....	07378
4-Wheel Drive Kit.....	07391
High Range Lockout Kit, 2015 and after Workman HDX-Auto Utility Vehicle	07394
High-Flow Hydraulics Kit.....	07395
Hand Throttle Kit.....	07420
Premium All Season Hydraulic Fluid (55 Gallon Drum)	108-1177
Premium All Season Hydraulic Fluid (5 Gallon Pail).....	108-1178
Premium Transmission/Hydraulic Tractor Fluid (55 Gallon Drum).....	108-1183
Premium Transmission/Hydraulic Tractor Fluid (5 Gallon Pail)	108-1184
Premium All Purpose Grease (Tube)	108-1190
Premium All Season Gear Lube (Quart)	108-1590
Filter-Oil	108-3847
Remote Hydraulics Manifold Kit.....	110-2626

Attachments and Accessories (continued)

Tire-Rear, 24x13-12	110-5132
Wheel-12in x 8.0in	114-8260
Side Mirror Kit	115-7849
Roll-Over Protection System Signal Kit	117-4825
Worklight Kit	117-4827
Remote Hydraulic Float Kit	117-4828
Cab Mirror Kit	117-4830
Receiver Hitch Kit	117-4831
Trailer Signal Kit	117-4836
24x13-12 Tire and Wheel ASM	117-4838
Manual 4-Wheel Drive Control Kit	119-0817
Canopy for Four-Post Roll-Over Protection System Kit	119-9457
Road Light and Homologation Kit	120-5030
Brake and Signal Light Kit	120-5045
Premium Engine Oil 10w30 (55 Gal)	121-6392
Premium Engine Oil 10w30 (5 Gallon Pail)	121-6393
Trailer Brake Kit	125-0123
Backup Alarm Kit	127-8729
1/3 Area Cover Kit	127-8739
High Air Intake Kit	127-8740
MVP Kit 400 Hour Filter Kit	131-8276
Multi Pro WM Turf Sprayer	41240
Spreader Base Unit	41253
Vicon Spreader	41256
Topdresser 1800	44225
Core Harvester Adapter Kit	44242
Pro Force Debris Blower	44538
Road-Ready Pro Force Debris Blower	44539
ProPass 200 Top Dresser with Twin Spinner and Wireless Control	44700
ProPass 200 Top Dresser with Twin Spinner	44701
Automatic Tailgate Release Kit	92-1220
Fuse Block	92-2641
Topdresser 1800 Lift Kit	92-4452
Spark Arrestor Screen	94-8157
Tire-Rear, 23x8.50-12	98-2993
Tire-Rear, Industrial	99-1091

Notes:

Notes:

Notes:



Count on it.