



**Count on it.**

**Parts Catalog**

**Greensmaster® 1600 Mower**

Model No. 04056—Serial No. 313000001 and Up



# Ordering Replacement Parts

To order replacement parts, please supply the part number, the quantity, and the description of each part desired.

## Understanding Reference Numbers

Each identified part in an illustration has a reference number. The reference number for a part also appears in the parts list, along with other information about the part.

This catalog uses two special reference number formats, one to indicate parts in a service assembly and another to indicate the quantity of a given part in an illustration.

## Service Assembly Reference Numbers

Parts in service assemblies have reference numbers in the form a:b. The a represents the reference number of the entire service assembly and the b represents a sequential number unique to each part within the service assembly.

For example, a wheel assembly might be identified by reference number 6, the tire by 6:1, the valve by 6:2, and the wheel by 6:3. When you order the assembly identified by reference number 6, you receive all parts identified by reference numbers 6:1, 6:2, and 6:3. However, you may also order any part individually. Reference numbers of this type appear in illustration and in parts lists.

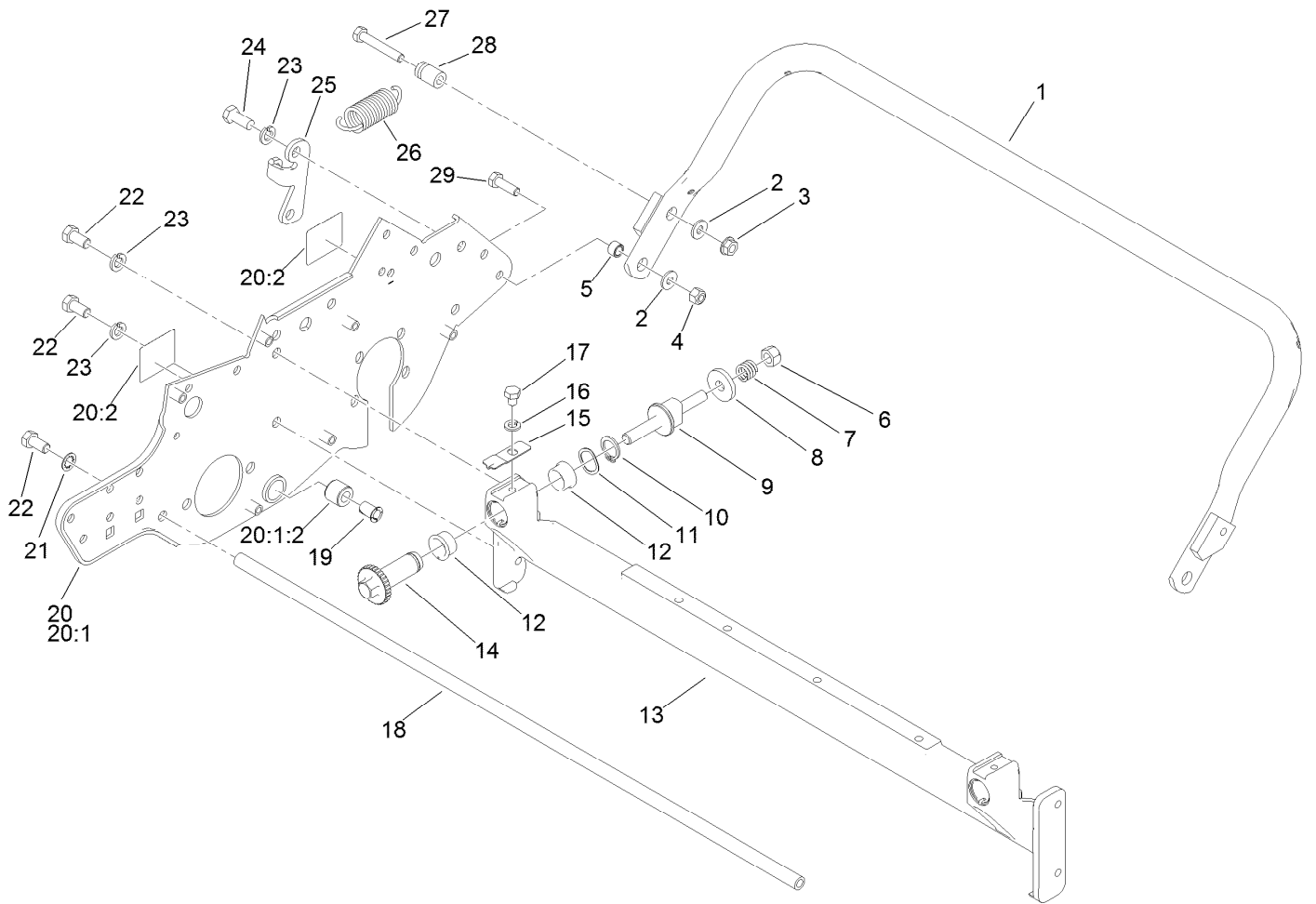
## Reference Numbers Indicating Quantity

In an illustration, if a reference number indicates more than one part, the reference number has the form nX y. The n represents the quantity of the part, the X is the multiplication symbol, and the y represents the reference number.

For example, in an illustration, the reference number 2X 37 means that two of the parts identified by reference number 37 are indicated.

# Contents

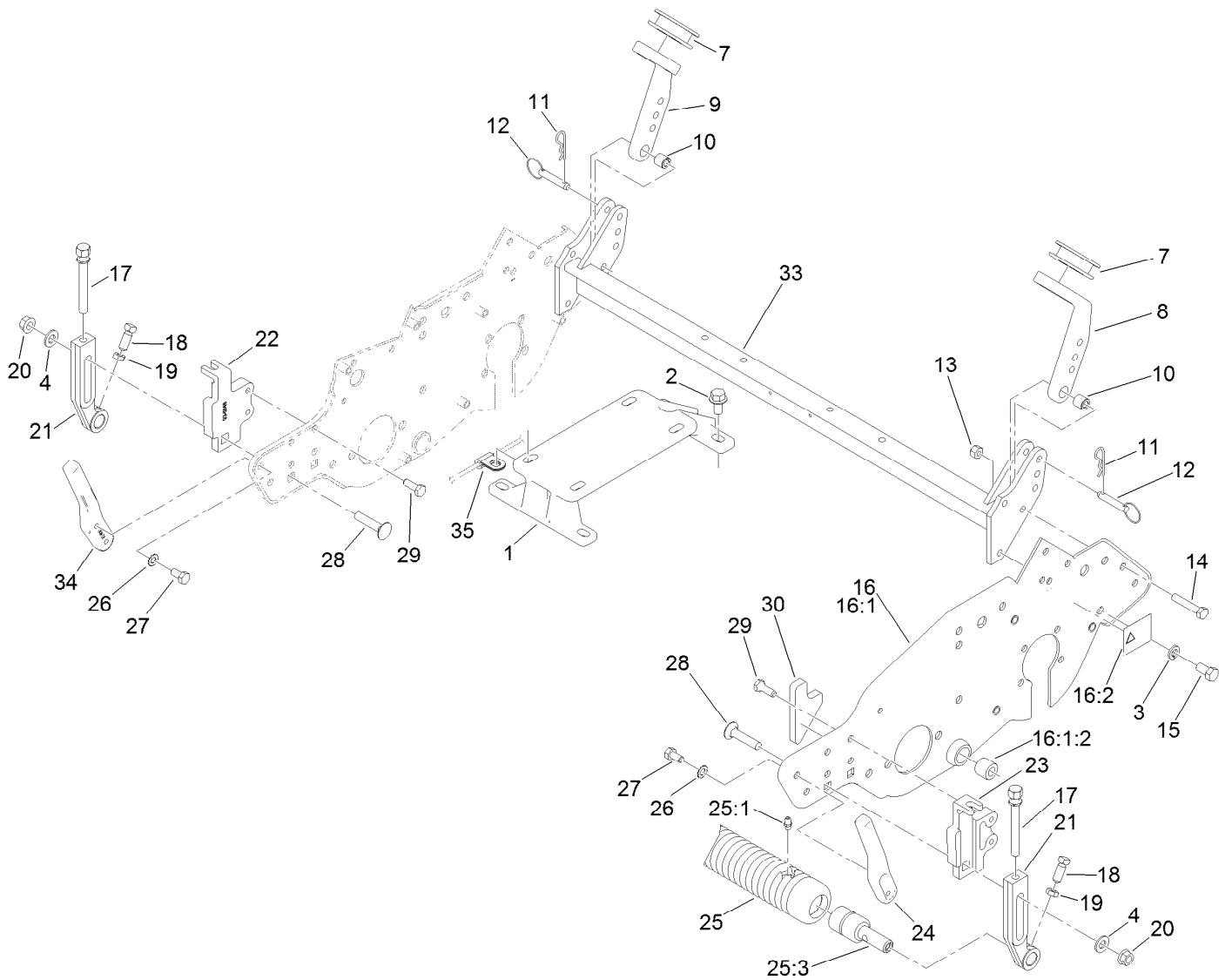
Frame Assembly . . . . .	4
Engine Mount and Frame Assembly . . . . .	5
Reel Assembly . . . . .	7
Reel Drive Assembly . . . . .	8
Bellcrank Assembly . . . . .	10
Drum Drive Assembly . . . . .	11
Drum and Basket Assembly . . . . .	13
Differential Assembly No. 93-9041 . . . . .	14
Inner Countershaft Assembly . . . . .	15
Outer Crankshaft Assembly . . . . .	16
Engine Assembly . . . . .	17
Handle Assembly . . . . .	18
Crankcase Assembly . . . . .	20
Crankshaft and Piston Assembly . . . . .	21
Intake and Exhaust Assembly . . . . .	22
Air Cleaner Assembly . . . . .	24
Governor Assembly . . . . .	25
Recoil and Shroud Assembly . . . . .	26
Recoil Assembly . . . . .	27
Fuel Tank Assembly . . . . .	28
Carburetor Assembly . . . . .	29
Flywheel and Coil Assembly . . . . .	30
Gear Reduction Assembly . . . . .	31
Attachments and Accessories . . . . .	32



## Frame Assembly

Ref.	Part Number	Qty.	Description	Ref.	Part Number	Qty.	Description
1	93-9019-03	1	Kickstand ASM	18	94-5867	1	Rod-Frame
2	3256-2	3	Washer-Flat	19	52-2890	2	Bushing-Nylon
3	32128-25	1	Nut-HF	20	94-9004	1	RH Side Plate ASM
4	3296-29	2	Nut-Lock, NI	20:1		1	RH Side Plate/Bushing ASM
5	65-7910	2	Spacer				●
6	33025-00	2	Nut-Lock, NI	20:1:2	63-9510	1	Bushing
7	119-4156	2	Spring-Compression	20:2	93-9356	2	Decal-Warning, Belt
8	99-2098	2	Washer	20:2	93-9389	2	Decal-Warning, Belt (Japan)
9	99-2096	2	Screw-Adjuster, Bedbar	21	3254-6	2	Washer-Lock, Internal
10	32120-93	2	Ring-Retaining	22	323-4	6	Screw-HH
11	106-5335	2	Washer-Wave	23	3253-21	4	Washer-Lock
12	106-5344	4	Bushing-Flange, Keyed	24	323-5	2	Screw-HH
13	120-2708-01	1	Crossmember	25	65-7890	1	Bracket
14	106-5363	2	Shaft-Adjuster	26	65-7880	1	Spring-Extension
15	99-2097	2	Detent	27	322-10	1	Screw-HH
16	3253-4	2	Washer-Lock	28	65-7900	1	Retainer-Spring
17	322-26	2	Screw-HH	29	322-5	2	Screw-HH

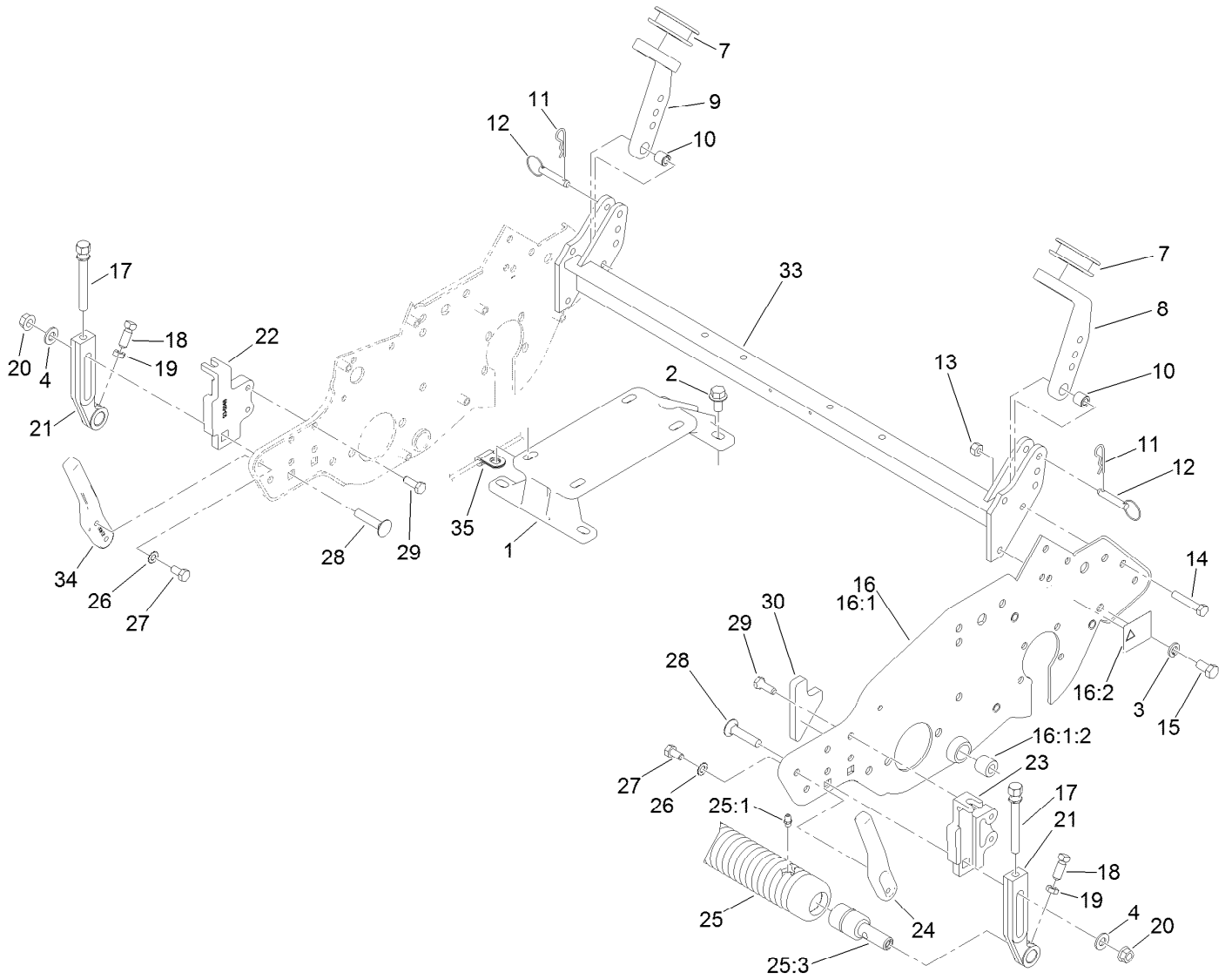
● Not serviced separately



## Engine Mount and Frame Assembly

Ref.	Part Number	Qty.	Description	Ref.	Part Number	Qty.	Description
1	120-2677	1	Mount-Engine	16:2	93-9389	1	Decal-Warning, Belt (Japan)
2	3234-1	4	Screw-HHF	17	93-6051	2	Screw-HOC
3	3253-21	4	Washer-Lock	18	1-803050	2	Screw-Set
4	3256-24	2	Washer-Flat	19	3218-2	2	Nut-Jam
7	65-7510	2	Grommet-Handle	20	32128-21	2	Nut-HF
8	93-6038	1	Arm-Support, Handle (LH)	21	93-6090	2	Arm-HOC
9	93-6037	1	Arm-Support, Handle (RH)	21	99-4286	2	Arm-HOC, Extended
10	93-6024	2	Bushing-Support, Handle	22	93-6048	1	Bracket-HOC, RH
11	3290-467	2	Pin-Hair	23	93-6049	1	Bracket-HOC, LH
12	93-6029	2	Pin-Clevis, Ring	24	93-9018	1	Rod-Basket, LH
13	3296-29	2	Nut-Lock, NI	25	93-9039	1	Weihle Roller ASM
14	322-9	2	Screw-HH	25:1	302-5	2	Fitting-Grease
15	323-4	2	Screw-HH	25:3	52-3180	2	Bearing-Roller, Front
16	94-9005	1	LH Side Plate ASM	26	3255-8	4	Washer-Lock
16:1		1	LH Side Plate/Bushing ASM	27	322-2	4	Screw-HH
16:1:2	63-9510	1	Bushing	28	3231-5	2	Screw-CARR
16:2	93-9356	1	Decal-Warning, Belt	29	92-8914	4	Bolt-Face, Tapered
				30	93-6064	1	Seal-Catcher, Grass

● Not serviced separately

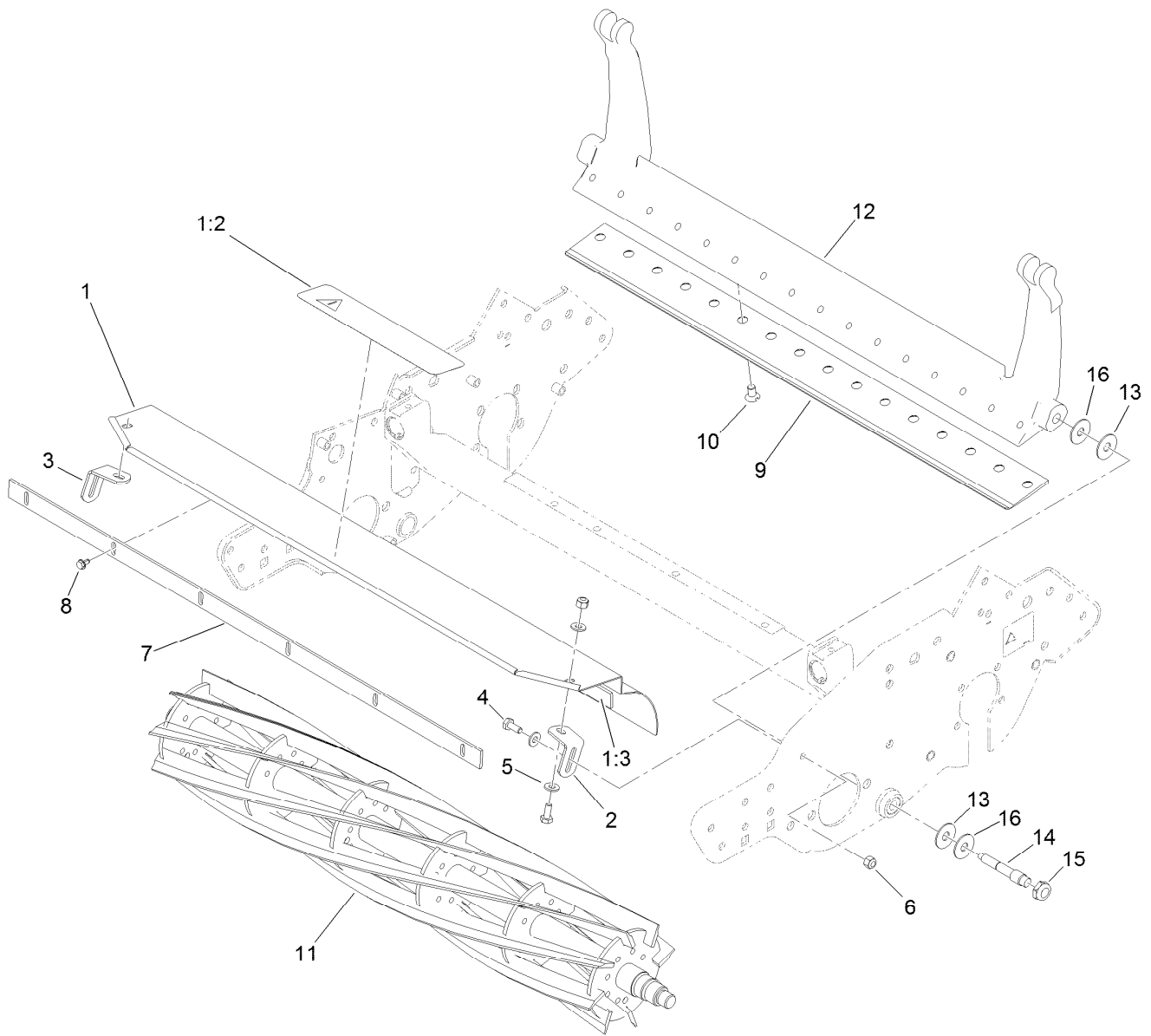


## Engine Mount and Frame Assembly (continued)

Ref.	Part Number	Qty.	Description
33	120-2712-01	1	Rear Frame ASM

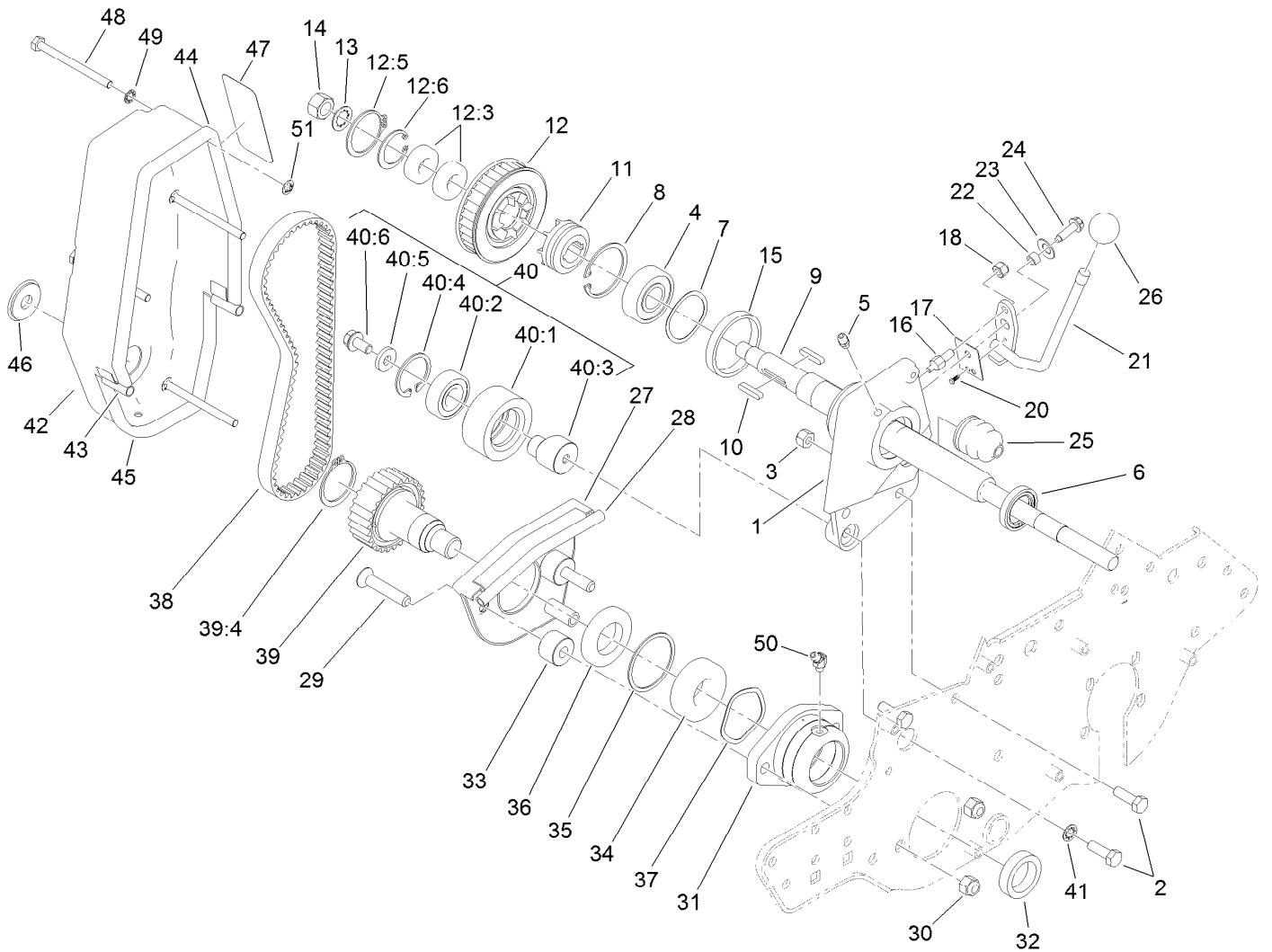
Ref.	Part Number	Qty.	Description
34	93-9017	1	Rod-Basket, RH
35	88-7970	1	Clip

● Not serviced separately



## Reel Assembly

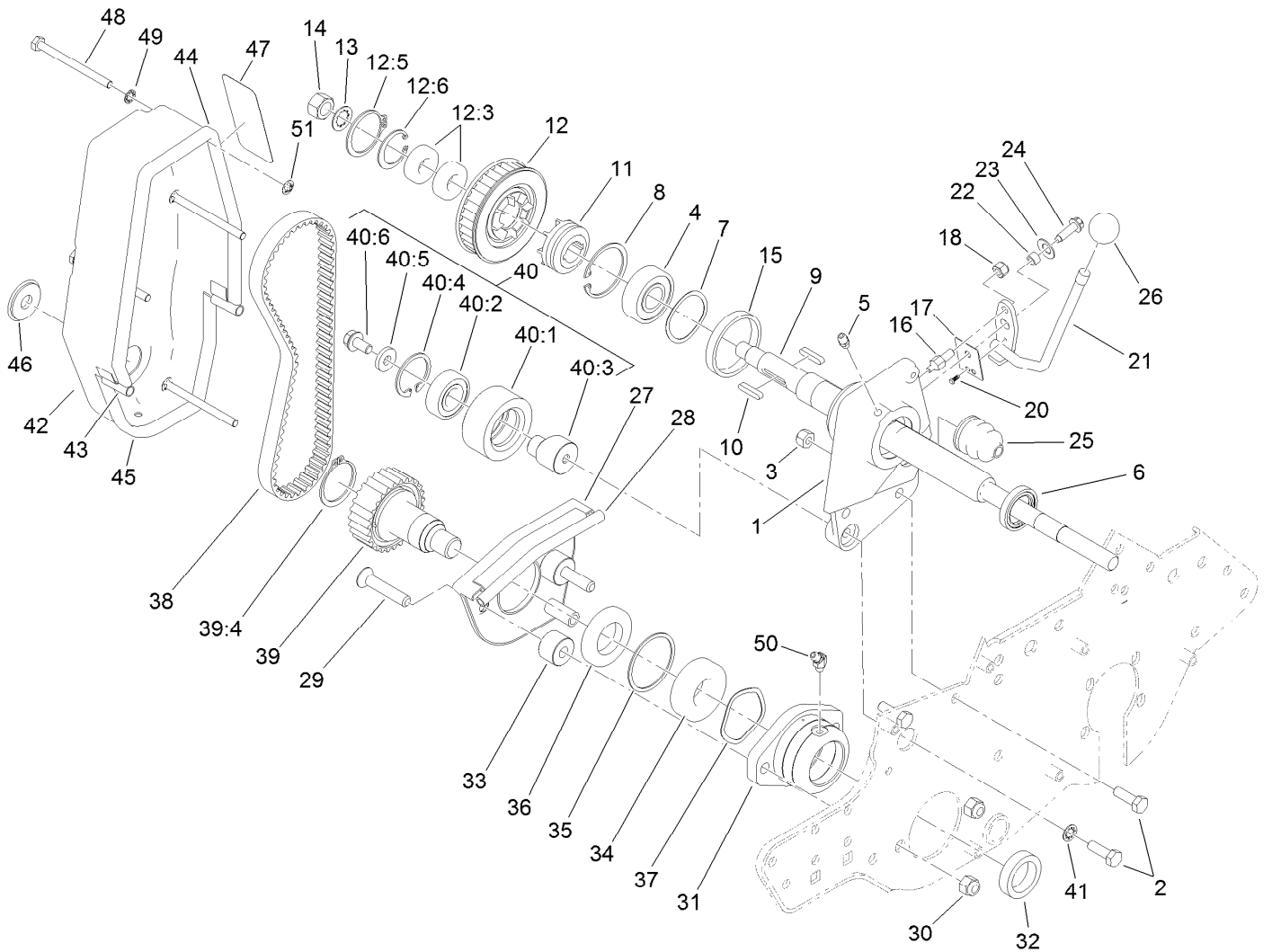
<i>Ref.</i>	<i>Part Number</i>	<i>Qty.</i>	<i>Description</i>	<i>Ref.</i>	<i>Part Number</i>	<i>Qty.</i>	<i>Description</i>
1	110-7370	1	Grass Shield ASM	8	104-2065	6	Screw-HWH
1:2	93-8064	1	Decal-Danger, CE	9	93-9015	1	Bedknife-Lowcut
1:2	84-6560	1	Decal-Warning (Japan)	10	119-4151	16	Screw-Bedknife
1:3	95-1636	1	Strip-Seal	11	112-9276	1	11-Blade Reel ASM
2	65-6450	1	Bracket-LH	11	95-0900	1	8-Blade Reel ASM
3	65-6460	1	Bracket-RH	12	112-9280-01	1	Bedbar-Standard
4	321-3	4	Screw-HH	13	52-2900	4	Washer-Plastic
5	3256-22	6	Washer-Flat	14	117-9493	2	Bolt-Bedbar
6	3296-42	4	Nut-Lock, NI	15	3296-28	2	Nut-Lock, NI
7	94-5879	1	Bar-Cut Off	16	52-2860	4	Washer



## Reel Drive Assembly

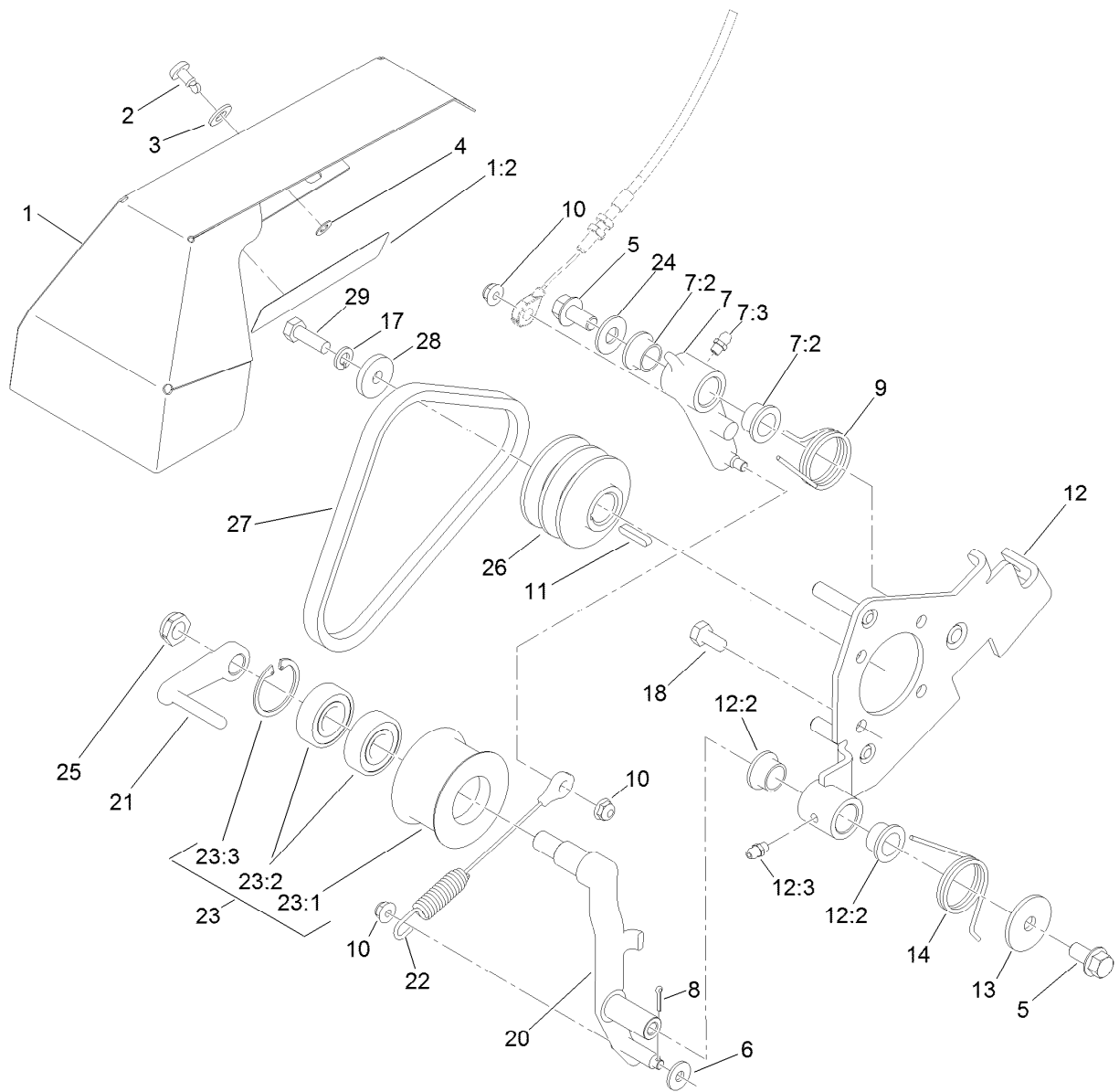
<i>Ref.</i>	<i>Part Number</i>	<i>Qty.</i>	<i>Description</i>	<i>Ref.</i>	<i>Part Number</i>	<i>Qty.</i>	<i>Description</i>
1	120-3180	1	Housing-Clutch	20	95-5731	1	Screw-Drive
2	322-5	3	Screw-HH	21	88-7170	1	Lever-Clutch
3	3296-29	2	Nut-Lock, NI	22	88-7860	1	Spacer
4	251-318	1	Bearing-Ball	23	3290-414	1	Washer-Belleville
5	302-5	1	Fitting-Grease	24	80-0700	1	Screw-HH, Torx
6	253-118	1	Seal-Oil	25	65-8960	1	Boot-Clutch
7	88-7720	1	Spring-Wave	26	233-69	1	Knob
8	32151-75	1	Ring-Retaining	27	65-7190-01	1	Cover-Arm
9	94-5872	1	Shaft-Power	28	65-7131	1	Seal-Cover, Strip
10	88-7150	2	Key-Square	29	3289-23	2	Capscrew
11	65-6940	1	Clutch-Slider, Jaw	30	3296-39	2	Nut-Lock, NI
12	88-7830	1	Clutch And Pulley ASM	31	65-8640	1	Housing-Bearing
12:3	251-336	2	Bearing-Ball	32	253-96	1	Seal-Oil
12:5	32151-95	1	Ring-Retaining	33	65-8290	2	Standoff-Cover
12:6	32151-89	1	Ring-Retaining, Bowed	34	251-342	1	Bearing-Ball
13	3254-4	1	Washer-Lock/Int	35	32151-92	1	Ring-Retaining
14	3219-5	1	Nut-Hex	36	253-163	1	Seal
15	65-6970	1	Seal-Felt	37	3290-485	1	Washer-Wave
16	93-9014	1	Pin-Clutch, Actuator	38	65-6200	1	Belt
17	65-6290	1	Spring-Detent, Clutch	39	88-7840	1	Pulley And Drive ASM
18	3296-42	1	Nut-Lock, NI	39:4	32151-95	1	Ring-Retaining





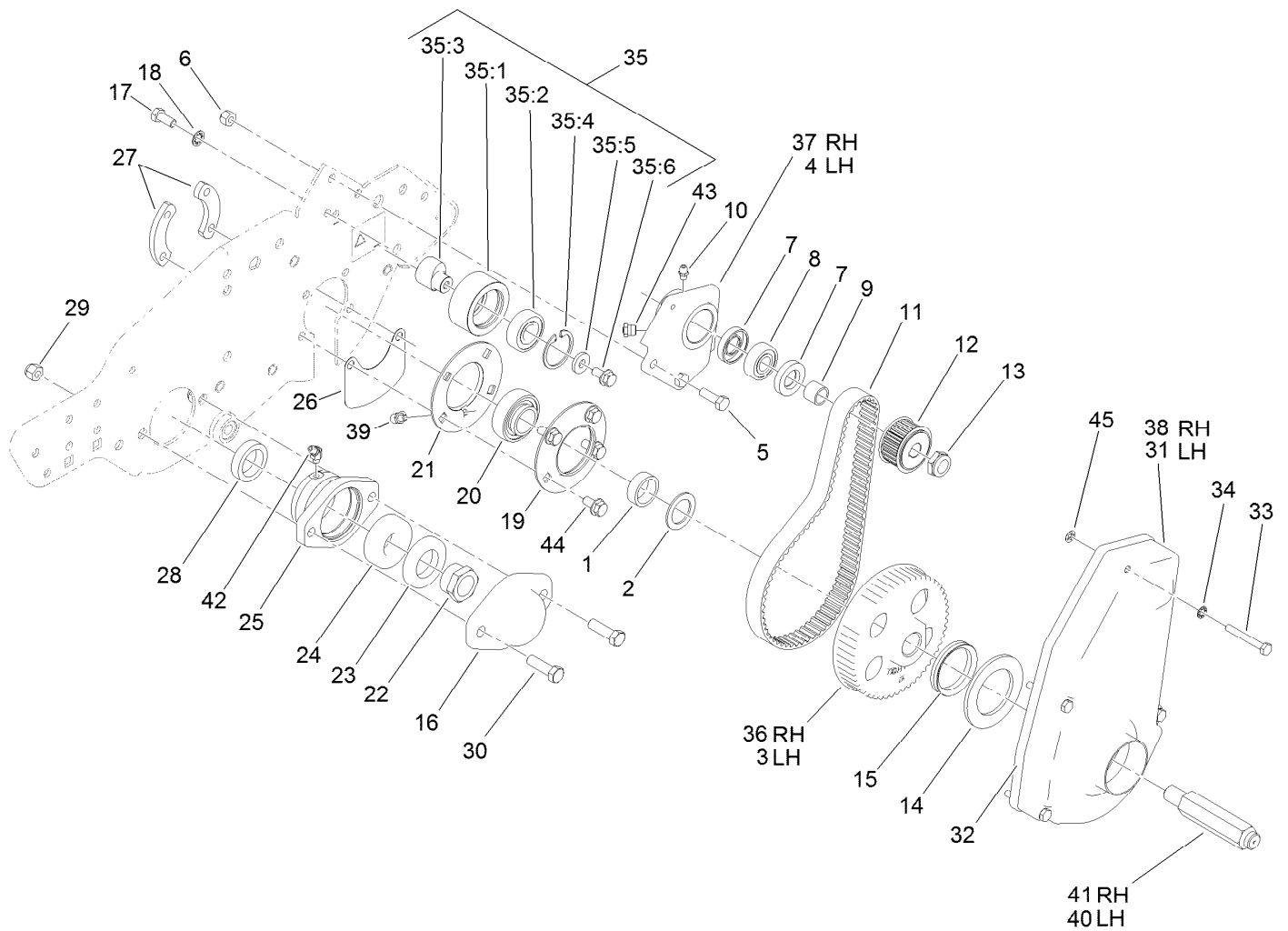
## Reel Drive Assembly (continued)

<i>Ref.</i>	<i>Part Number</i>	<i>Qty.</i>	<i>Description</i>	<i>Ref.</i>	<i>Part Number</i>	<i>Qty.</i>	<i>Description</i>
40	88-7850	1	Idler Pulley ASM	44	88-7790	1	Strip-Seal, Upper
40:1	88-7180	1	Pulley-Idler	45	88-7800	1	Strip-Seal, Lower
40:2	38-7820	1	Bearing-Ball	46	237-160	1	Plug-Rubber
40:3	88-7190	1	Spacer	47	92-4817	1	Decal-Engagement, Reel (Japan)
40:4	32120-42	1	Ring-Retaining	47	93-7346	1	Decal-Engagement, Reel
40:5	88-7200	1	Washer-Flat	48	321-20	4	Screw-HH
40:6	3234-14	1	Screw-HHF	49	3254-8	4	Washer-Lock
41	3254-2	1	Washer-Lock, Internal	50	302-11	1	Fitting-Lube, 45 DEG
42	88-7700-01	1	Cover-Drive, Reel	51	106-8737	4	Nut-Retainer
43	88-7770	2	Strip-Seal, Front				



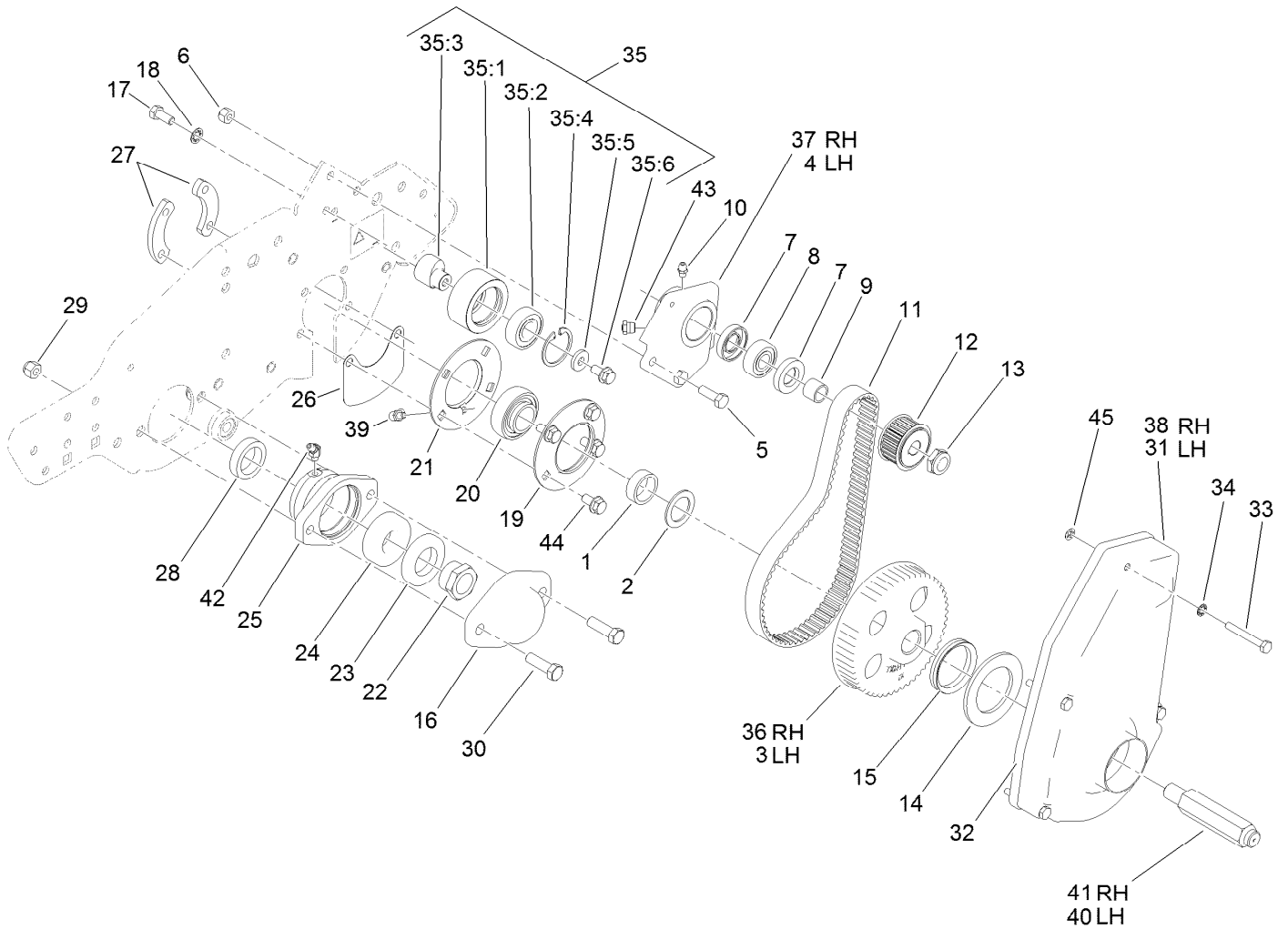
## Bellcrank Assembly

Ref.	Part Number	Qty.	Description	Ref.	Part Number	Qty.	Description
1	120-2724	1	Bellcrank Cover ASM	13	93-6099	1	Washer
1:2	84-7280	1	Decal-Danger, Japan	14	93-6012	1	Spring-Torque, Clutch Lever
1:2	106-8120	1	Decal-Danger, CE	17	3253-4	1	Washer-Lock
2	93-6074	1	Stud	18	99-5132	4	Bolt
3	3256-70	1	Washer-Flat	20	120-2715	1	Lever-Clutch
4	93-6073	1	Washer-Nylon	21	112-9390	1	Guide-Belt
5	110-1718	2	Screw-HHF	22	93-9024	1	Cable Link ASM
6	3256-78	1	Washer-Flat	23	112-9385	1	Idler Pulley ASM
7	112-9388	1	Traction Lever ASM	23:1	98-7297	1	Pulley-Idler
7:2	65-8770	2	Bushing-Bellcrank	23:2	38-7820	2	Bearing-Ball
7:3	302-5	1	Fitting-Grease	23:3	32120-42	1	Ring-Retaining
8	3272-5	1	Pin-Cotter	24	3256-4	1	Washer-Flat
9	93-6011	1	Spring-Torsion	25	3296-45	1	Nut-Lock, NI
10	104-7201	3	Nut-HF	26	115-7306	1	Pulley-Drive, Input
11	88-7150	1	Key-Square	27	92-9218	1	Belt-V, Matched Set
12	120-2693	1	Clutch Bracket ASM	28	65-8270	1	Washer
12:2	65-8770	2	Bushing-Bellcrank	29	33114-025	1	Screw-HH
12:3	302-5	1	Fitting-Grease				



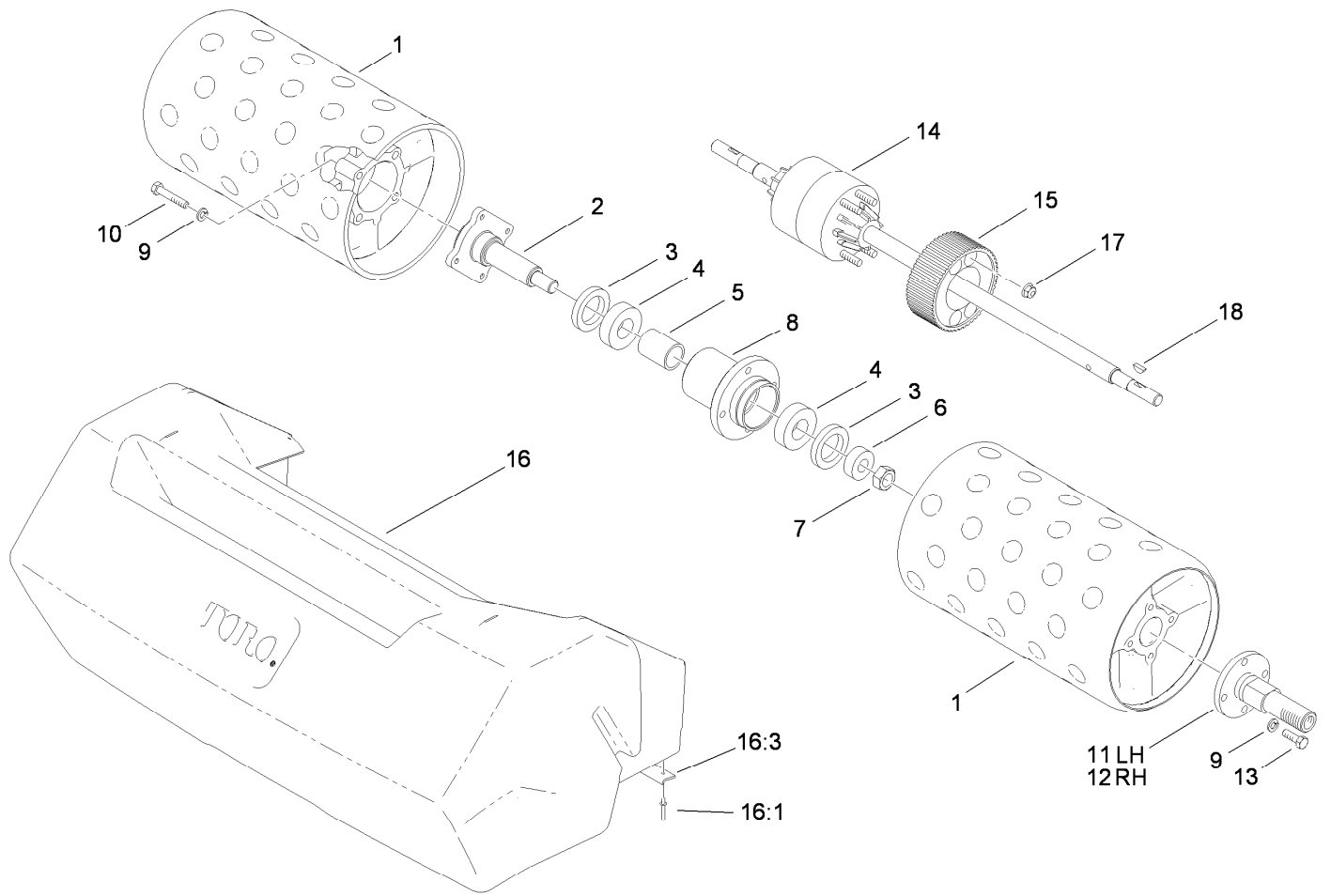
## Drum Drive Assembly

Ref.	Part Number	Qty.	Description	Ref.	Part Number	Qty.	Description
1	88-7530	2	Spacer	21	95-0923	2	Flangette
2	88-7540	2	Washer-Backup	22	92-7302	1	Nut-Lock, Bearing
3	105-5365	1	Pulley-Drum, LH	23	253-163	1	Seal
4	108-9414	1	Housing-Support, Differential (LH)	24	251-342	1	Bearing-Ball
5	322-5	4	Screw-HH	25	65-8640	1	Housing-Bearing
6	3296-29	4	Nut-Lock, NI	26	65-8720	2	Closure-Plate, Side
7	253-160	4	Seal-Grease	27	65-8730	4	Clamp-Bearing
8	251-338	2	Bearing-Ball	28	253-96	1	Seal-Oil
9	86-7130	2	Spacer-Pulley	29	3296-39	2	Nut-Lock, NI
10	302-5	2	Fitting-Grease	30	323-7	2	Screw-HH
11	65-6210	2	Belt	31	88-7680-01	1	Cover-Belt Drum, LH
12	65-6660	2	Pulley	32	88-7810	2	Seal-Strip, Drum Cover
13	3296-57	2	Nut-Lock, NI	33	321-11	8	Screw-HH
14	94-9018	2	Washer-Plastic	34	3254-8	8	Washer-Lock
15	253-161	2	Seal-V-Ring	35	88-7850	2	Idler Pulley ASM
16	65-6220-01	1	Cover-End, Reel	35:1	88-7180	1	Pulley-Idler
17	322-3	2	Screw-HH	35:2	38-7820	1	Bearing-Ball
18	3254-2	2	Washer-Lock, Internal	35:3	88-7190	1	Spacer
19	65-6590	2	Flangette-Bearing	35:4	32120-42	1	Ring-Retaining
20	88-7880	2	Bearing	35:5	88-7200	1	Washer-Flat
				35:6	3234-14	1	Screw-HHF



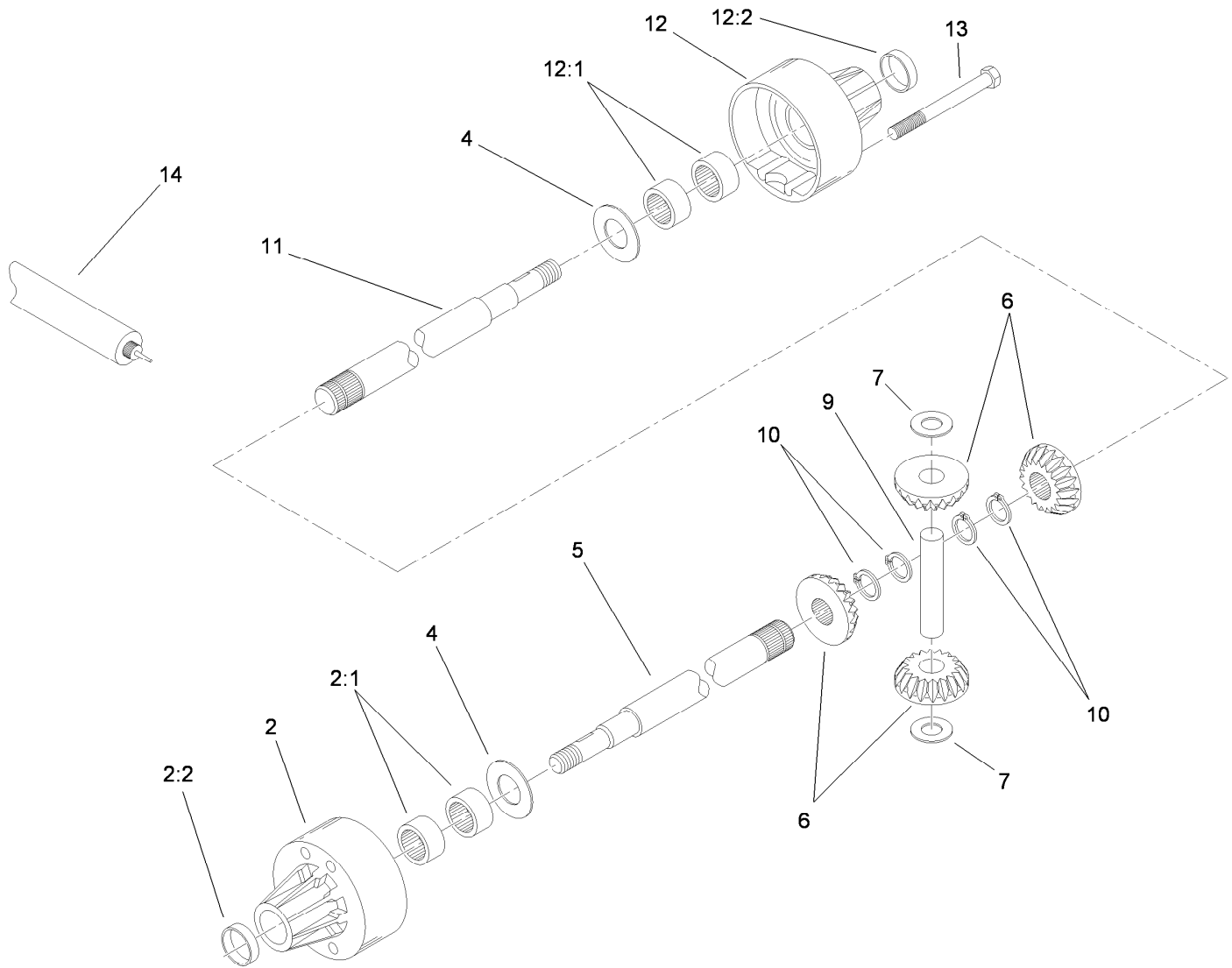
## Drum Drive Assembly (continued)

<i>Ref.</i>	<i>Part Number</i>	<i>Qty.</i>	<i>Description</i>	<i>Ref.</i>	<i>Part Number</i>	<i>Qty.</i>	<i>Description</i>
36	105-5364	1	Pulley-Drum, RH	41	88-7590	1	Shaft-Wheel, Transport (RH)
37	108-9416	1	Housing-Support, Differential (RH)	42	302-11	1	Fitting-Lube, 45 DEG
38	88-7690-01	1	Cover-Drum, Belt (RH)	43	302-34	2	Fitting-Lube
39	104-1843	2	Fitting-Grease, 90 DEG	44	3234-14	8	Screw-HHF
40	88-7580	1	Shaft-Wheel, Transport (LH)	45	106-8737	8	Nut-Retainer



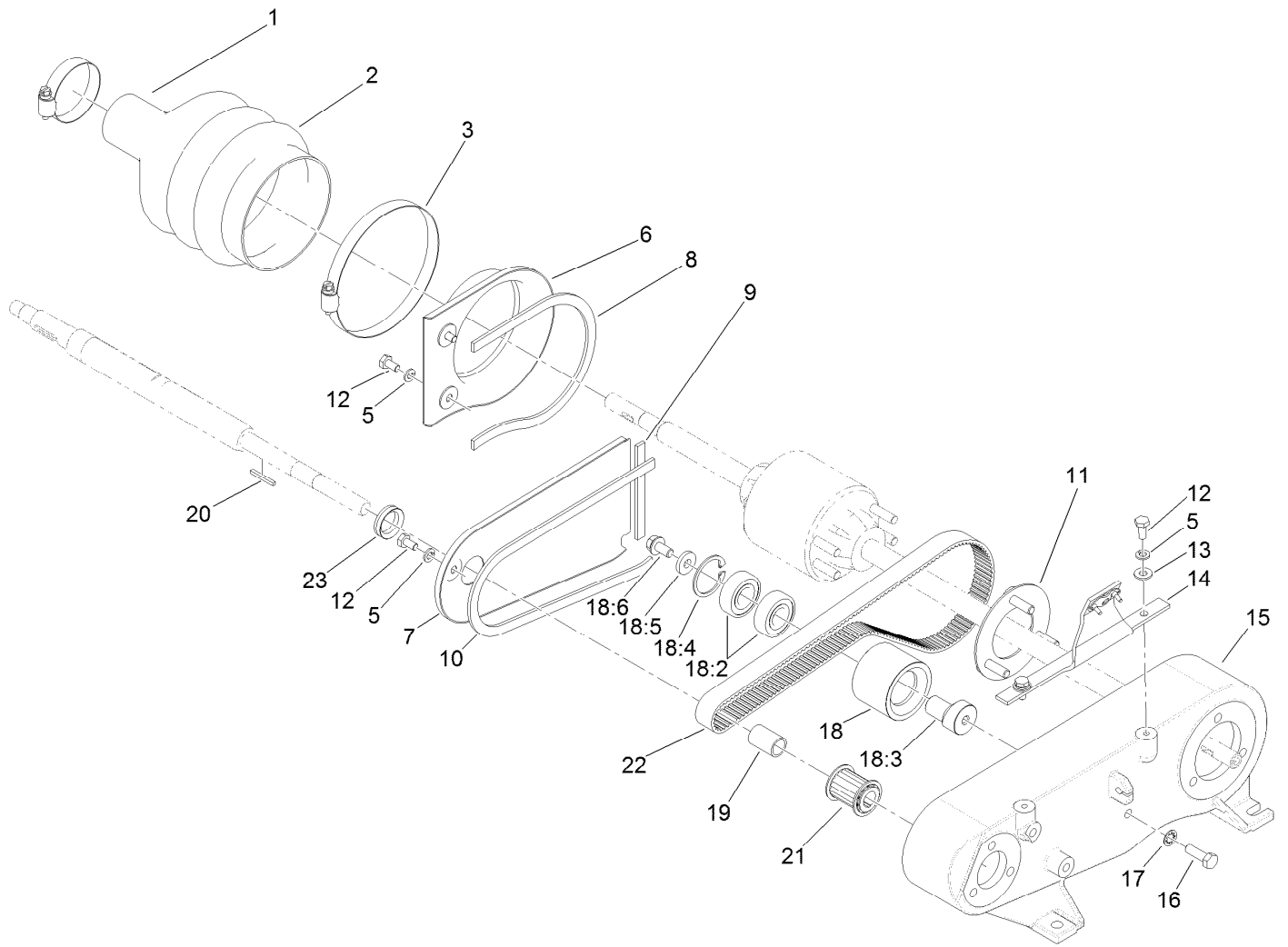
## Drum and Basket Assembly

<i>Ref.</i>	<i>Part Number</i>	<i>Qty.</i>	<i>Description</i>	<i>Ref.</i>	<i>Part Number</i>	<i>Qty.</i>	<i>Description</i>
1	112-9269	2	Drum	11	88-7520	1	Shaft-Extension, Drum (LH)
2	94-5850	1	Spindle-Drum	12	88-7510	1	Shaft-Extension, Drum (RH)
3	253-159	2	Seal	13	322-5	8	Screw-HH
4	251-82	2	Bearing-Ball	14	93-9041	1	Differential
5	65-6520	1	Spacer	15	65-9120	1	Pulley-Housing, Differential
6	65-6530	1	Spacer	16	94-5893	1	Basket ASM
7	3296-33	1	Nut-Lock, NI	16:1	3290-409	9	Rivet
8	94-5852	1	Hub-Drum	16:3	94-5894	1	Channel-Basket
9	3253-4	16	Washer-Lock	17	104-8300	4	Nut-HF, NI
10	322-9	8	Screw-HH	18	3257-30	2	Key-Woodruff



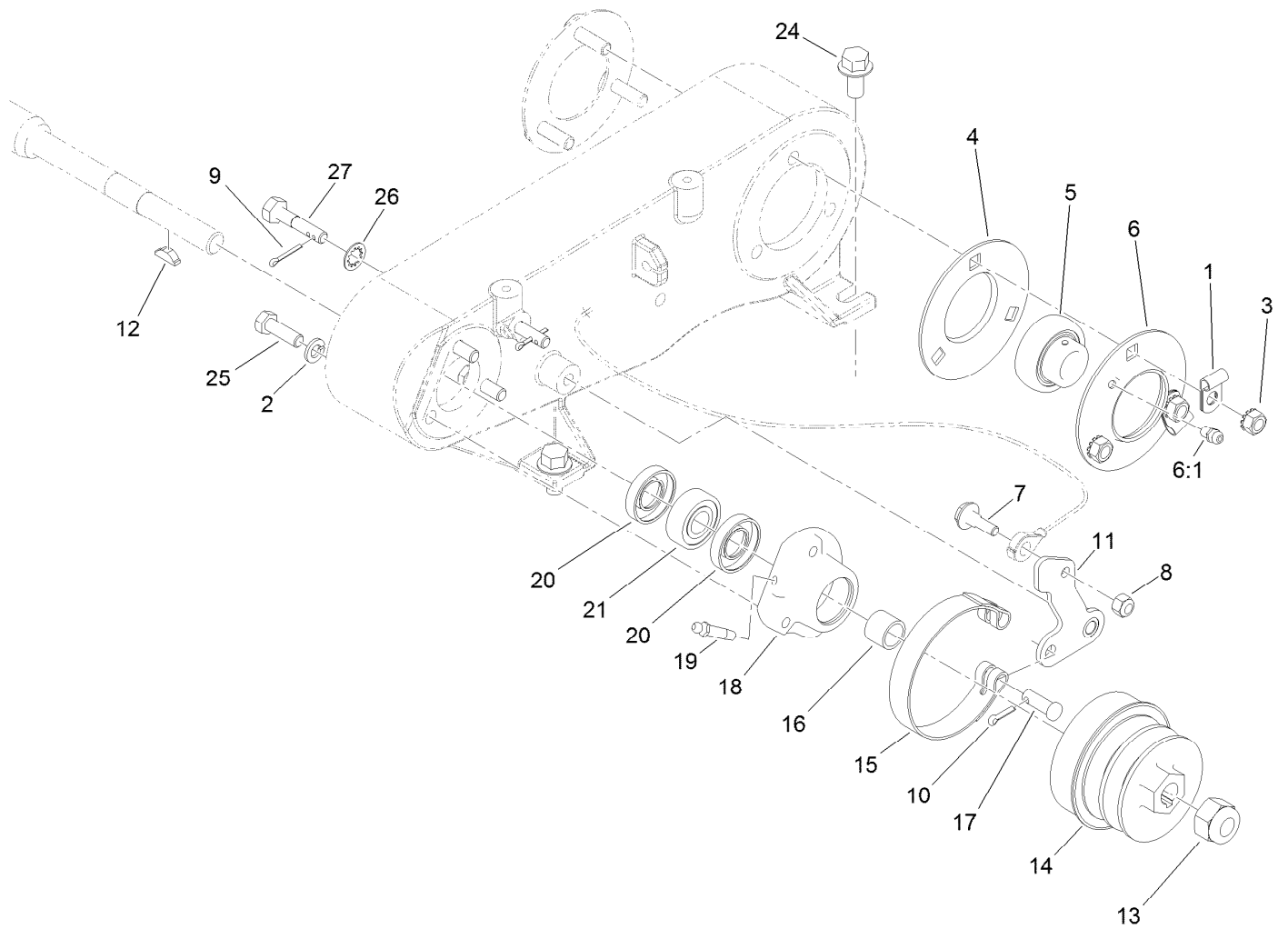
## Differential Assembly No. 93-9041

Ref.	Part Number	Qty.	Description
2	95-5741	1	Carrier-Differential
2:1	95-5738	4	Bearing-Needle
2:2	95-5737	2	Seal-Oil
4	95-5745	2	Washer
5	95-5743	1	Axle-Long
6	104-0503	1	Gear Set-Differential
7	95-5744	2	Washer-Flat
9	95-5747	1	Pin-Drive
10	95-5746	4	Ring-Retaining
11	95-5742	1	Axle-Short
12	95-5740	1	Carrier-Differential
12:1	95-5738	4	Bearing-Needle
12:2	95-5737	2	Seal-Oil
13	95-5739	4	Screw
14	95-5734	1	Grease Petro Dist.



## Inner Countershaft Assembly

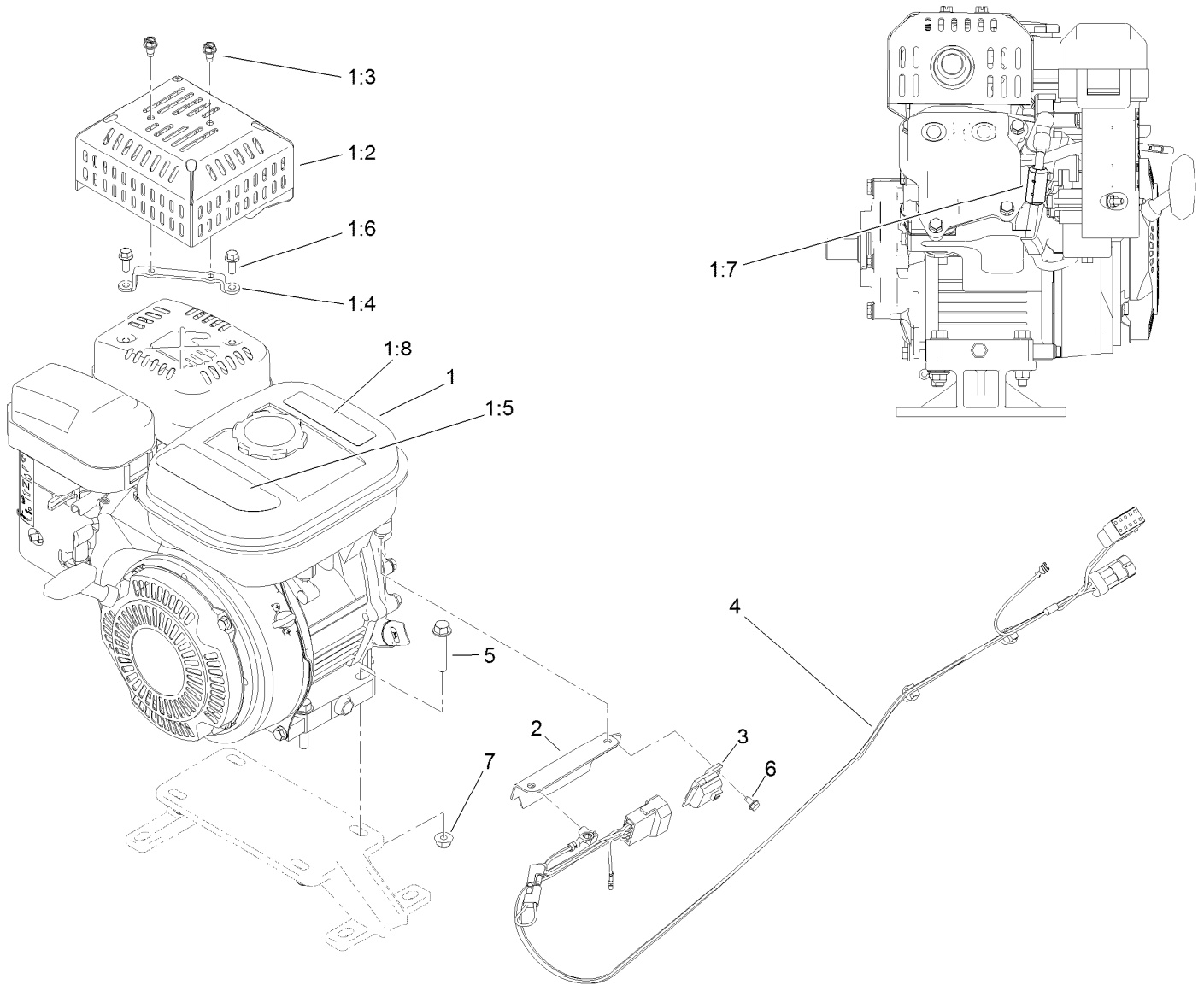
<i>Ref.</i>	<i>Part Number</i>	<i>Qty.</i>	<i>Description</i>	<i>Ref.</i>	<i>Part Number</i>	<i>Qty.</i>	<i>Description</i>
1	2412-139	1	Clamp-Hose	16	322-4	1	Screw-HH
2	94-5866	1	Boot-Differential	17	3254-2	1	Washer-Lock, Internal
3	2412-140	1	Clamp-Hose	18	88-7870	1	Idler Pulley ASM
5	3253-3	5	Washer-Lock	18:2	38-7820	2	Bearing-Ball
6	88-7250-03	1	Cover-Box, Rear	18:3	88-7380	1	Spacer-Pulley
7	88-7240-03	1	Cover-Box, Front	18:4	32120-42	1	Ring-Retaining
8	65-6902	1	Strip-Seal, Cover	18:5	88-7200	1	Washer-Flat
9	65-6903	1	Strip-Seal, Cover	18:6	3234-14	1	Screw-HHF
10	65-6901	1	Strip-Seal, Cover	19	86-7140	1	Spacer
11	65-6720	1	Plate-Screw	20	65-6850	1	Key-Square
12	321-3	5	Screw-HH	21	65-8910	1	Pulley-Countershaft
13	3256-22	2	Washer-Flat	22	65-9080	1	Belt
14	93-1448	1	Bracket-Cover	23	88-7710	1	Seal-V-Ring
15	88-7230	1	Housing-Shaft, Counter				



## Outer Crankshaft Assembly

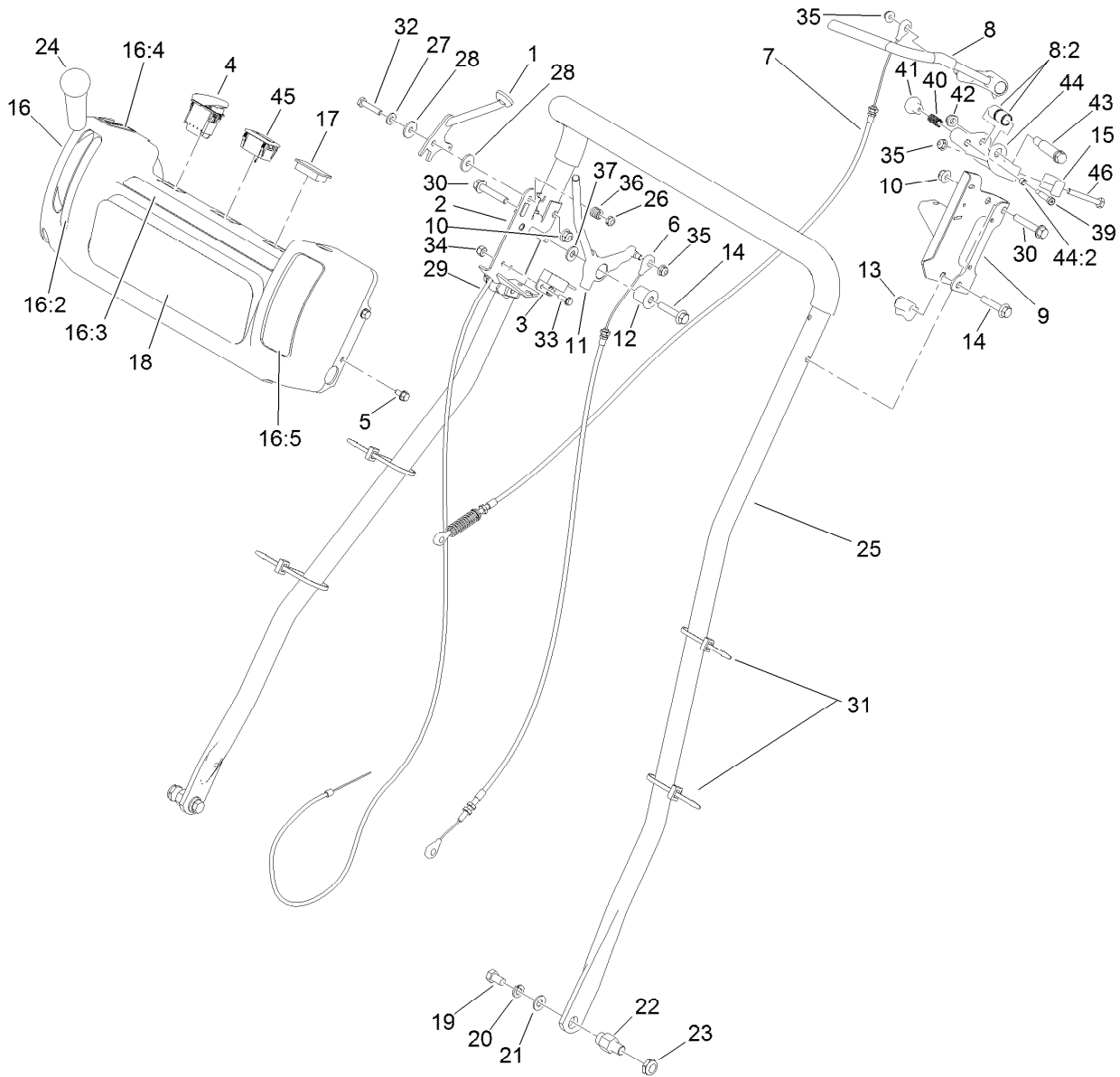
<i>Ref.</i>	<i>Part Number</i>	<i>Qty.</i>	<i>Description</i>	<i>Ref.</i>	<i>Part Number</i>	<i>Qty.</i>	<i>Description</i>
1	88-7970	2	Clip	13	3296-63	1	Nut-Lock, NI
2	3253-4	3	Washer-Lock	14	92-9212	1	Pulley-Shaft, Input
3	32149-1	3	Nut-Keps	15	65-8700	1	Band-Brake
4	65-6710	1	Flangette-Bearing	16	86-7130	1	Spacer-Pulley
5	108-7663	1	Bearing-Race, Extended	17	283-75	1	Pin-Clevis
6	65-6700	1	Flangette-Lube	18	120-3163	1	Housing-Bearing
6:1	302-55	1	Fitting-Grease	19	302-64	1	Fitting-Grease
7	11-9030	1	Screw-Shoulder	20	253-160	2	Seal-Grease
8	3296-42	1	Nut-Lock, NI	21	251-338	1	Bearing-Ball
9	3272-6	2	Pin-Cotter	24	3234-1	4	Screw-HHF
10	3272-8	1	Pin-Cotter	25	322-5	3	Screw-HH
11	117-1433	1	Lever-Brake, Lower	26	3254-6	2	Washer-Lock, Internal
12	3257-30	1	Key-Woodruff	27	117-1430	2	Bolt-Mount, Brake





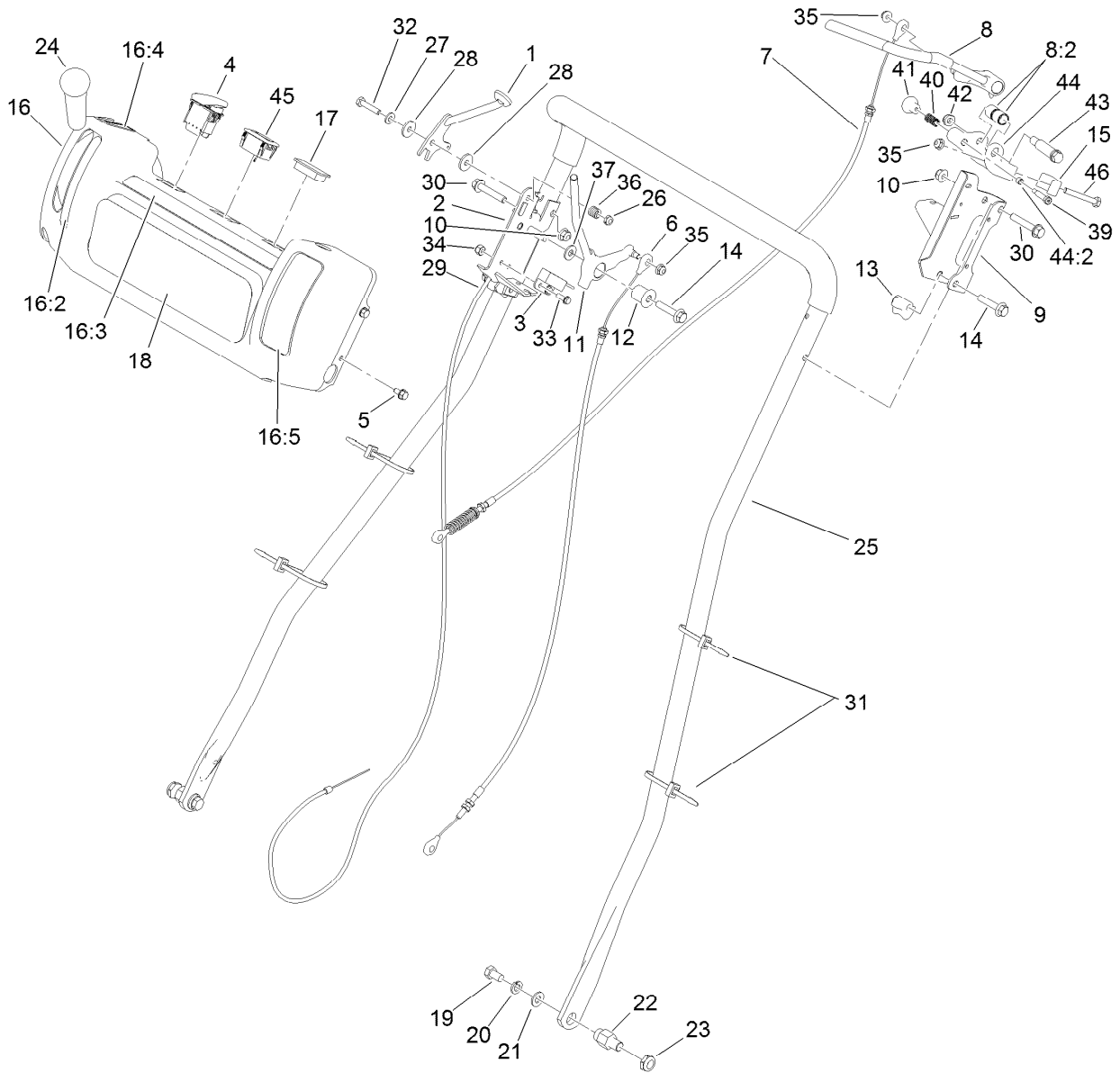
## Engine Assembly

Ref.	Part Number	Qty.	Description
1	120-9550	1	Engine ASM
1:2	120-9240-03	1	Guard-Muffler
1:3	120-9551	2	Screw-HWH
1:4	115-7352	1	Bracket-Guard, Muffler
1:5	120-2769	1	Decal-Warning
1:6	104-2628	2	Screw-HWH
1:7	112-1540	1	Ferrite-Snap On
1:8	117-2718	1	Decal-Arrester, Spark
2	120-2705-03	1	Plate-Harness, Wire
3	1-323430	1	Module-Interlock
4	120-6338	1	Harness-Wire
5	94-5780	4	Screw-HWH
6	104-2065	1	Screw-HWH
7	104-8300	4	Nut-HF, NI



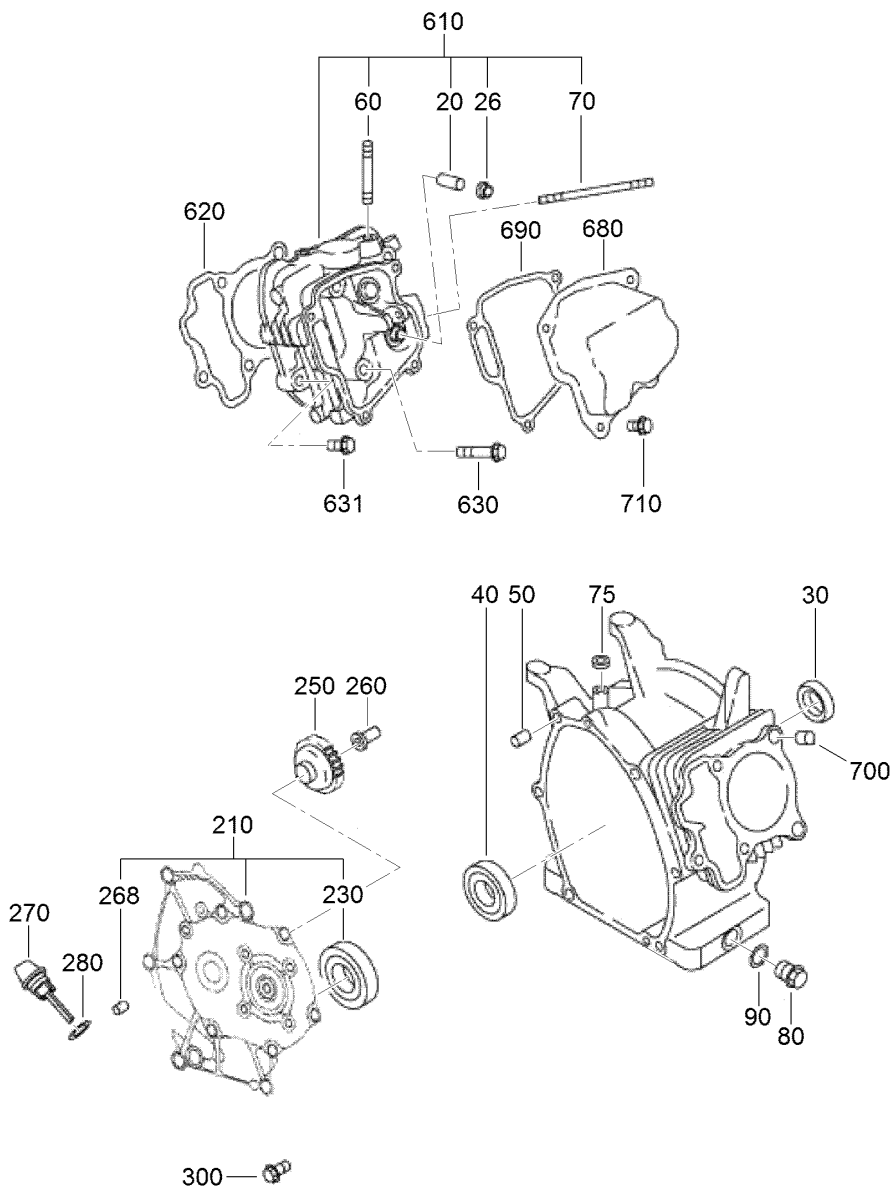
## Handle Assembly

Ref.	Part Number	Qty.	Description	Ref.	Part Number	Qty.	Description
1	120-2697	1	Lever-Throttle	17	99-7420	1	Plug-Hole
2	120-2696-03	1	Bracket-Traction	18	115-1131	1	Decal-Console
3	100-1270	1	Switch-Proximity	19	323-34	2	Screw-HH
4	112-9420	1	Switch-Engine	20	3253-21	2	Washer-Lock
5	104-2628	4	Screw-HWH	21	3256-24	2	Washer-Flat
6	94-5870	1	Cable-Clutch	22	110-7364	2	Pin-Handle, Pivot
7	115-1714	1	Cable-Brake, Squeeze	23	3296-28	2	Nut-Lock, NI
8	115-1707	1	Squeeze Brake Lever ASM	24	104-9760	1	Knob-Black
8:2	27-6250	2	Bushing	25	120-2714	1	Handle
9	115-1700-03	1	Bracket-Brake	26	3296-56	1	Nut-Lock, NI
10	104-8300	2	Nut-HF, NI	27	3256-22	1	Washer-Flat
11	112-9321	1	Lever-Traction	28	66-2921	2	Washer-Friction
12	112-9317	1	Bushing-Flanged	29	120-2737	1	Cable-Throttle (GR1600 Only)
13	110-2415	2	Clamp-Handle	30	94-5780	2	Screw-HWH
14	112-9318	4	Screw-HHF, Locking	31	3290-378	4	Tie-Cable
15	115-1703	1	Mount-Rear	32	321-8	1	Screw-HH
16	120-2762	1	Console ASM	33	115-1727	2	Screw-HHF
16:2	115-1720	1	Decal-Lever, Traction	34	1-804254	2	Nut-Lock, HH
16:3	120-2761	1	Decal-Warning	35	104-7201	3	Nut-HF
16:4	93-6085	1	Decal-Throttle	36	3-5787	1	Spring-Compression
16:5	120-2727	1	Decal-Brake				



## Handle Assembly (continued)

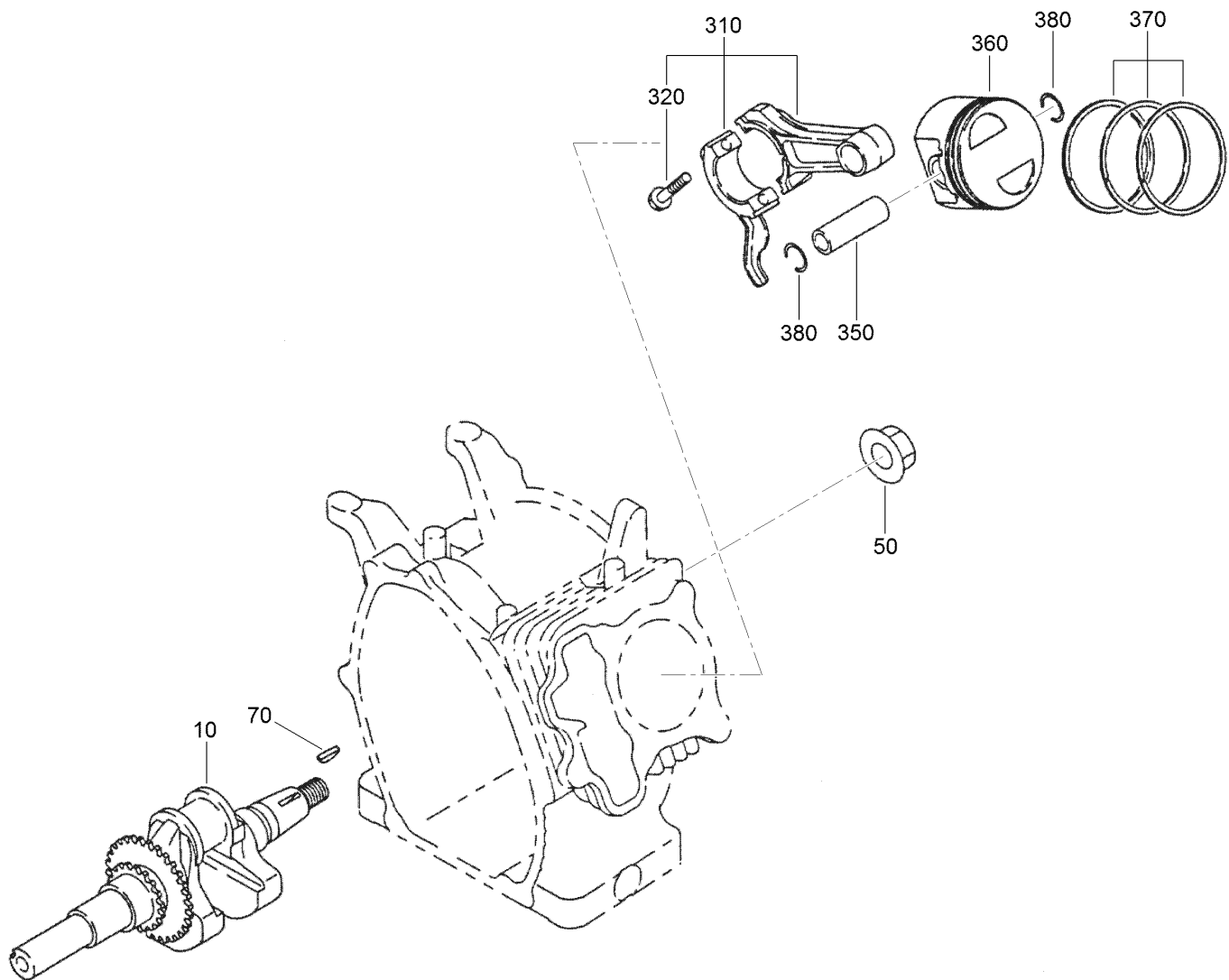
<i>Ref.</i>	<i>Part Number</i>	<i>Qty.</i>	<i>Description</i>	<i>Ref.</i>	<i>Part Number</i>	<i>Qty.</i>	<i>Description</i>
37	3256-3	1	Washer-Flat	43	115-1116	1	Screw-Shoulder
39	115-1699	1	Screw-Shoulder	44	115-1704	1	Front Mount ASM
40	107-8885	1	Spring-Compression	44:2	256-112	1	Bushing
41	115-1688	1	Arm-Lock, Brake	45	119-1347	1	Meter-Hour
42	3296-59	1	Nut-Lock, NI	46	321-11	1	Screw-HH



## Crankcase Assembly

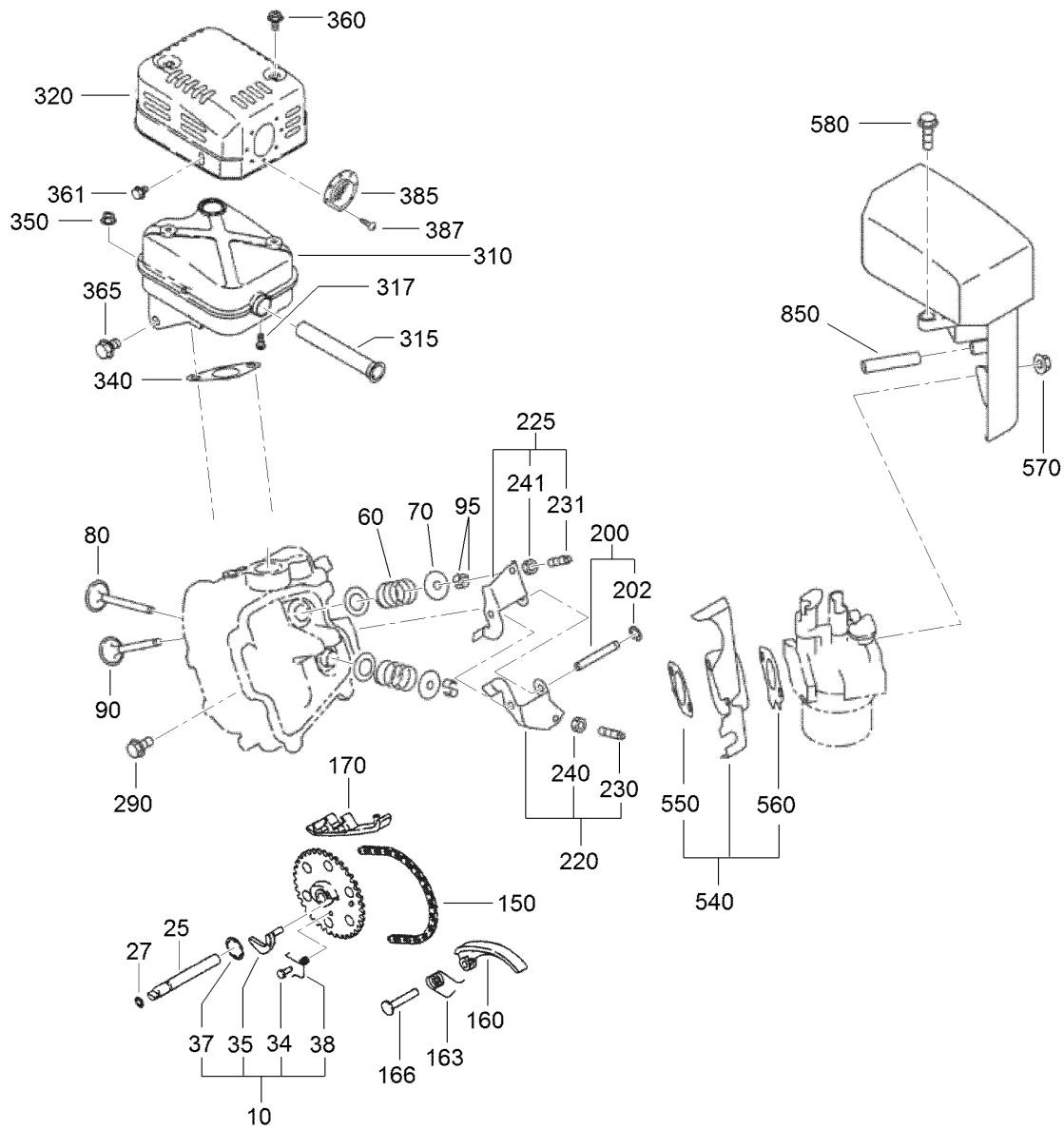
<i>Ref.</i>	<i>Part Number</i>	<i>Qty.</i>	<i>Description</i>	<i>Ref.</i>	<i>Part Number</i>	<i>Qty.</i>	<i>Description</i>
20	121-0571	2	Guide-Valve	270	121-6352	1	Gauge-Oil
26	121-0611	1	Seal-Stem	280	121-6374	1	Gasket
30	121-0540	1	Seal-Oil	300	121-0502	6	Bolt-Flange
40	121-0546	1	Bearing-Ball	610	121-0672	1	Cylinder Head ASM (Serial No. 1Xxxxxxx)
50	121-0608	2	Pipe-Knock	610	125-9159	1	Cylinder Head ASM (Serial No. 2Xxxxxxx)
60	121-0512	2	Stud	620	121-0585	1	Gasket-Head
70	121-0511	2	Stud	630	121-0519	4	Bolt-Flange
75	121-0539	1	Seal-Oil	631	121-0520	1	Bolt-Flange
80	121-0538	1	Plug	680	121-0609	1	Rocker Cover ASM
90	121-0532	1	Gasket	690	121-0610	1	Gasket-Cover, Rocker
210	121-0607	1	Main Bearing Cover ASM	700	121-0608	2	Pipe-Knock
230	121-0544	1	Bearing-Ball	710	121-0514	4	Bolt-Flange
250	121-0652	1	Governor Gear ASM	960	121-0606	1	Gasket Set ●
260	121-0641	1	Sleeve-Governor				
268	121-6351	2	Pin-Straight				

● Not illustrated



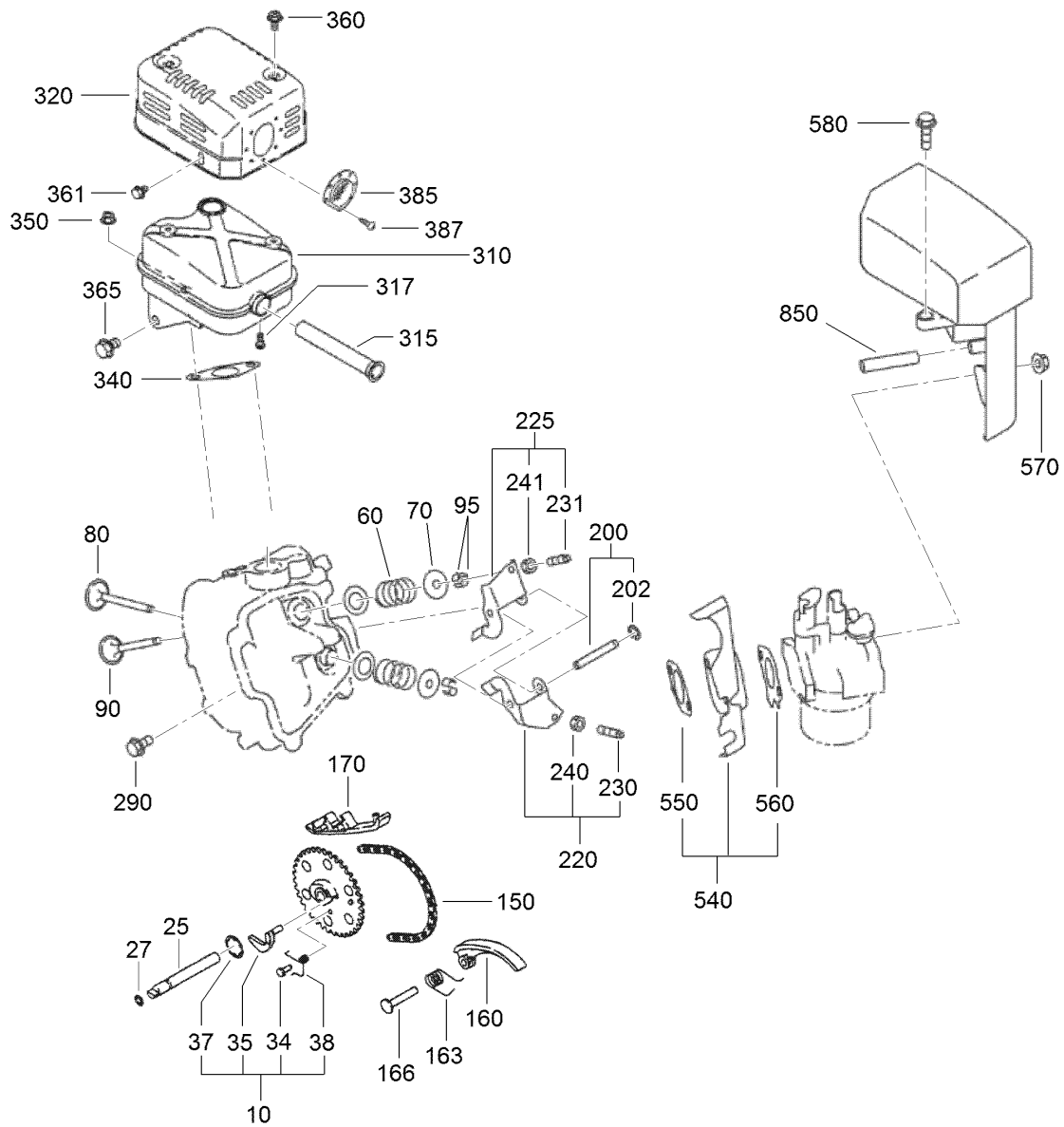
## Crankshaft and Piston Assembly

<b>Ref.</b>	<b>Part Number</b>	<b>Qty.</b>	<b>Description</b>
10	121-0586	1	Crankshaft ASM
50	121-0529	1	Nut-Flange
70	121-0537	1	Key-Woodruff
310	121-0587	1	Connecting Rod ASM
310	121-0588	1	Connecting Rod ASM (Undersize)
320	121-0612	2	Bolt-Rod, Connecting
350	121-0589	1	Pin-Piston
360	121-6353	1	Piston (Oversize 0.50 Mm)
360	121-0590	1	Piston (STD)
360	121-0591	1	Piston (Oversize 0.250 Mm)
370	121-0592	1	Piston Ring Set (STD)
370	121-0593	1	Piston Ring Set (Oversize 0.250 Mm)
370	121-0594	1	Piston Ring Set (Oversize 0.50 Mm)
380	121-0561	2	Clip



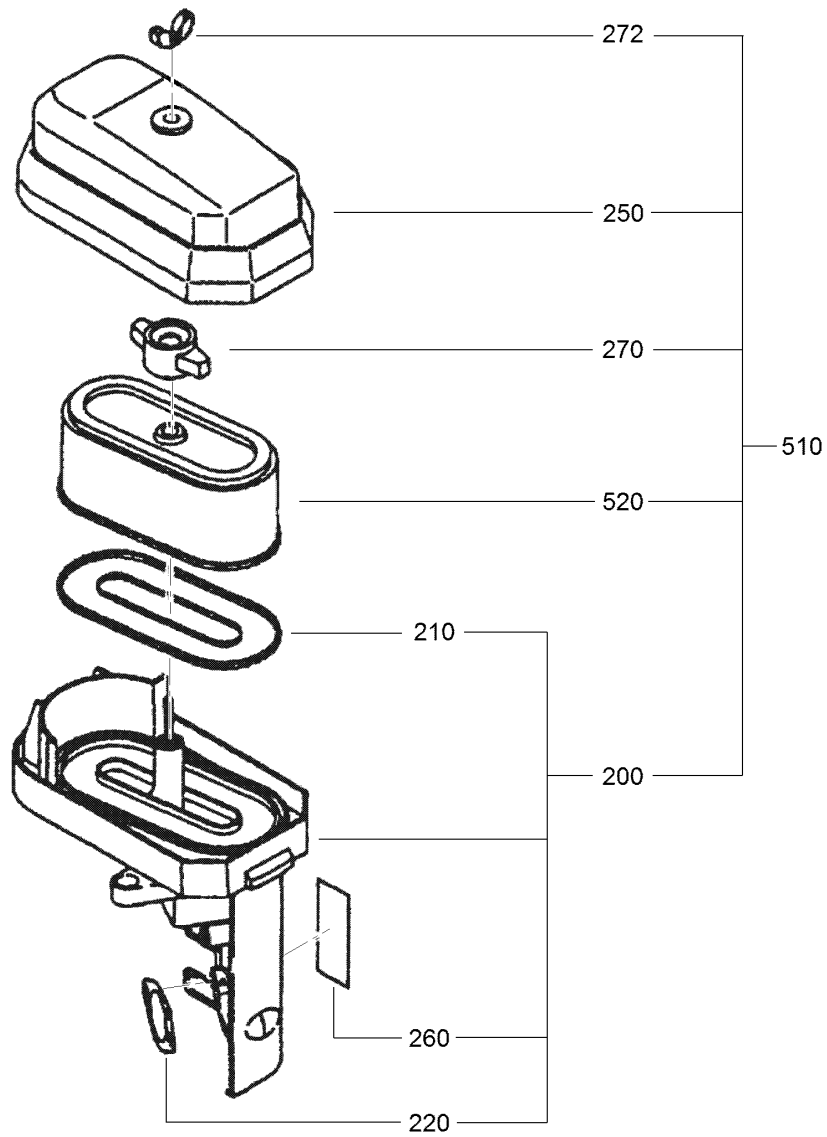
## Intake and Exhaust Assembly

Ref.	Part Number	Qty.	Description	Ref.	Part Number	Qty.	Description
10	121-0613	1	Camshaft ASM	230	121-0524	1	Screw-Adjust
25	121-0625	1	Pin-Camshaft	231	121-0524	1	Screw-Adjust
27	121-0535	1	O-Ring	240	121-0528	1	Nut
34	121-0639	1	Pin-Spring	241	121-0528	1	Nut
35	121-0631	1	Lever-Release	290	121-0514	1	Bolt-Flange
37	121-0632	1	Clip	310	121-0595	1	Muffler ASM
38	121-0640	1	Spring-Return	315	121-0638	1	Arrestor-Spark
60	121-0673	2	Spring-Valve	317	121-0525	1	Screw-Tapping
70	121-0579	2	Retainer-Spring	320	121-0598	1	Muffler Cover ASM
80	121-0596	1	Valve-Intake	340	121-0626	1	Gasket-Muffler
90	121-0597	1	Valve-Exhaust	350	121-6376	2	Nut-Flange
95	121-0555	4	Collet-Valve	360	121-0527	2	Bolt-Flange
150	121-0599	1	Timing Chain ASM	361	121-0513	1	Bolt-Flange
160	121-0634	1	Tensioner	365	121-0521	1	Bolt-Flange
163	121-0637	1	Spring-Tensioner	385	121-6354	1	Screen-Complete
166	121-0633	1	Pin-Tensioner	387	121-0525	2	Screw-Tapping
170	121-0635	1	Guide-Chain	540	121-0623	1	Insulator ASM
200	121-0624	1	Rocker Pin ASM	550	121-0628	1	Gasket-Insulator No.2
202	121-0507	1	Clip	560	121-0627	1	Gasket-Insulator No.1
220	121-0629	1	Intake Rocker Arm ASM	570	121-0506	2	Nut-Flange
225	121-0630	1	Exhaust Rocker Arm ASM				



## Intake and Exhaust Assembly (continued)

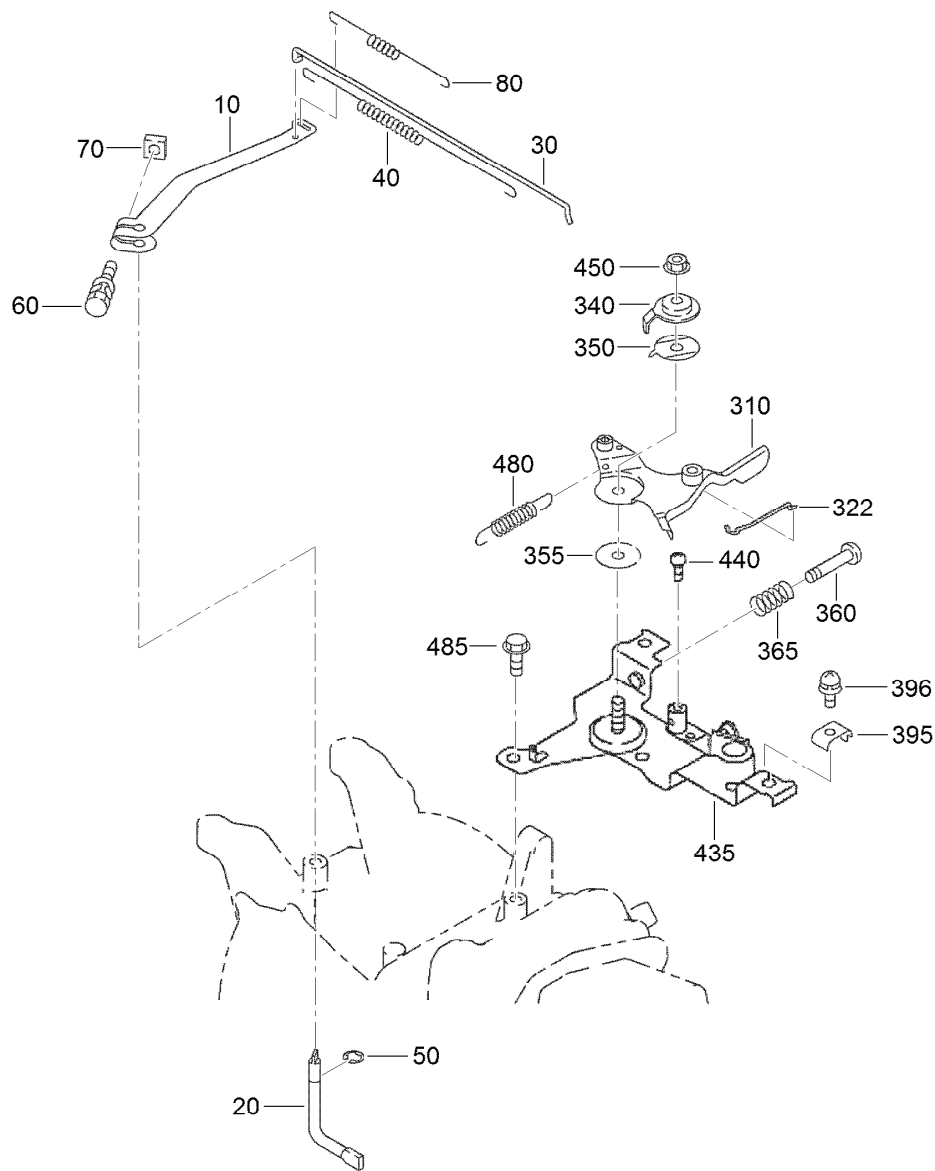
Ref.	Part Number	Qty.	Description
580	121-0516	1	Bolt-Flange
850	121-6375	1	Pipe-Breather



## Air Cleaner Assembly

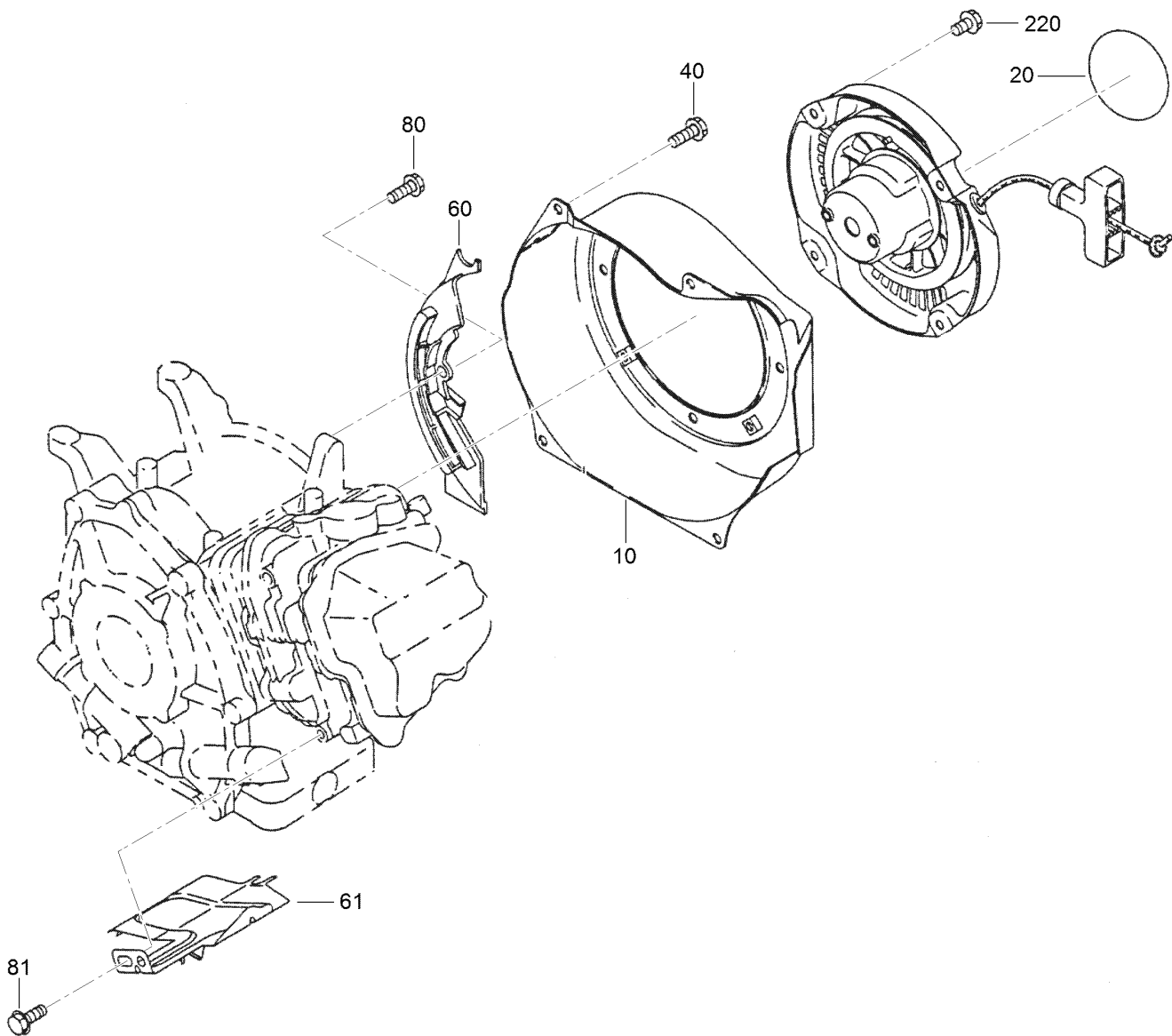
<i>Ref.</i>	<i>Part Number</i>	<i>Qty.</i>	<i>Description</i>
200	121-0620	1	Base ASM
210	121-0617	1	Packing
220	121-0614	1	Packing
250	121-0621	1	Cover ASM
260	121-0616	1	Label
270	121-0622	1	Nut-Wing
272	121-0615	1	Nut-Wing
510	121-0619	1	Air Cleaner ASM
520	121-0618	1	Set-Element





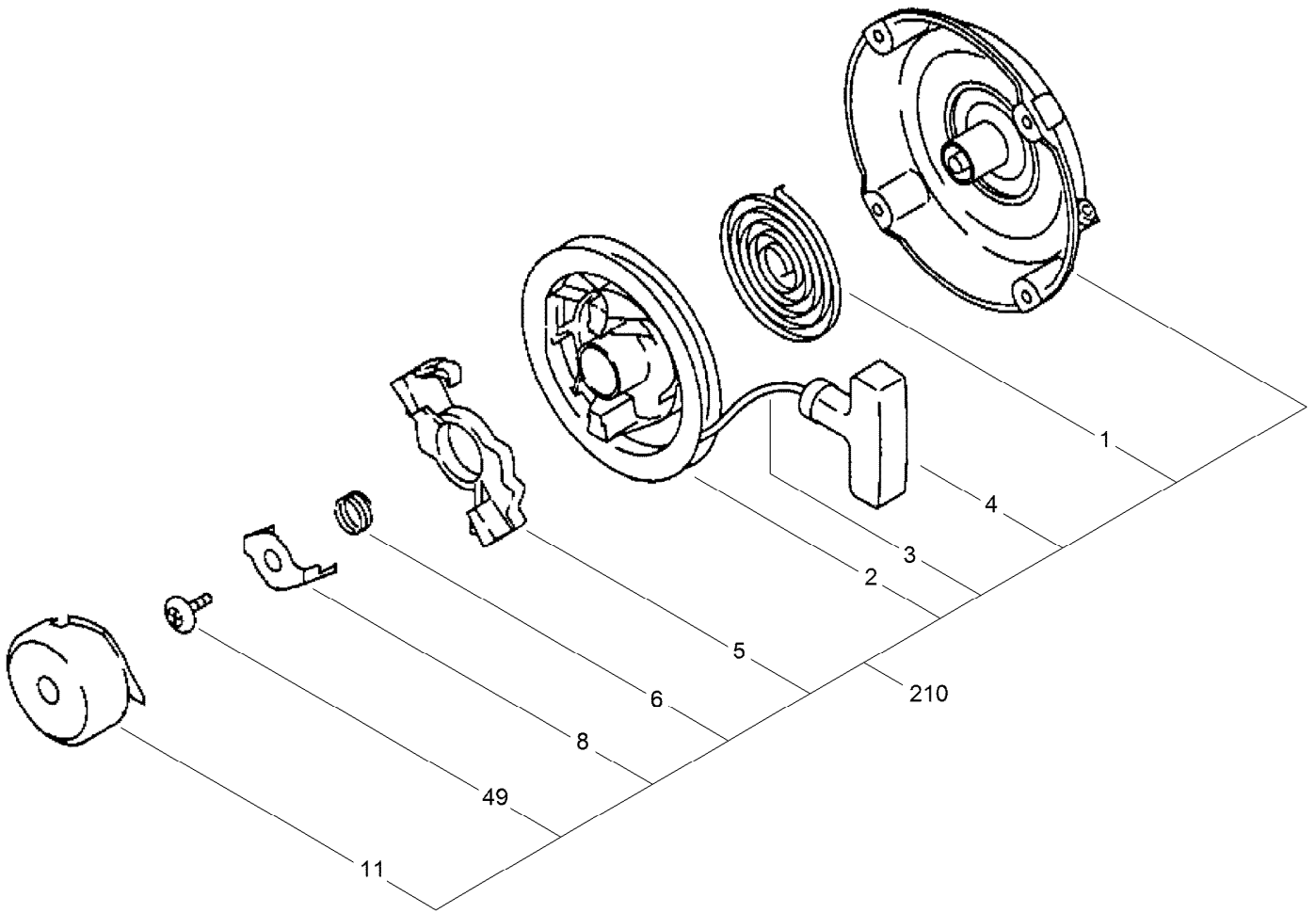
## Governor Assembly

<i>Ref.</i>	<i>Part Number</i>	<i>Qty.</i>	<i>Description</i>	<i>Ref.</i>	<i>Part Number</i>	<i>Qty.</i>	<i>Description</i>
10	121-0643	1	Lever-Governor	350	121-0651	1	Washer
20	121-0642	1	Shaft-Governor	355	121-0534	1	Washer-Friction
30	121-0674	1	Governor Rod ASM	360	121-0509	1	Screw
40	121-0645	1	Spring-Rod	365	121-0572	1	Spring-Adjust
50	121-0507	1	Clip	395	121-0650	1	Clamp
60	121-0522	1	Bolt And Washer ASM	396	121-0523	1	Screw And Washer ASM
70	121-0530	1	Nut	435	121-0654	1	Speed Control Bracket ASM
80	121-0644	1	Spring-Governor	440	121-0508	1	Screw
310	121-0646	1	Speed Control Lever ASM	450	121-0505	1	Nut-Self Lock
322	121-0648	1	Link Rod ASM	480	121-0653	1	Spring-Return
340	121-0647	1	Plate-Stop	485	121-0514	2	Bolt-Flange



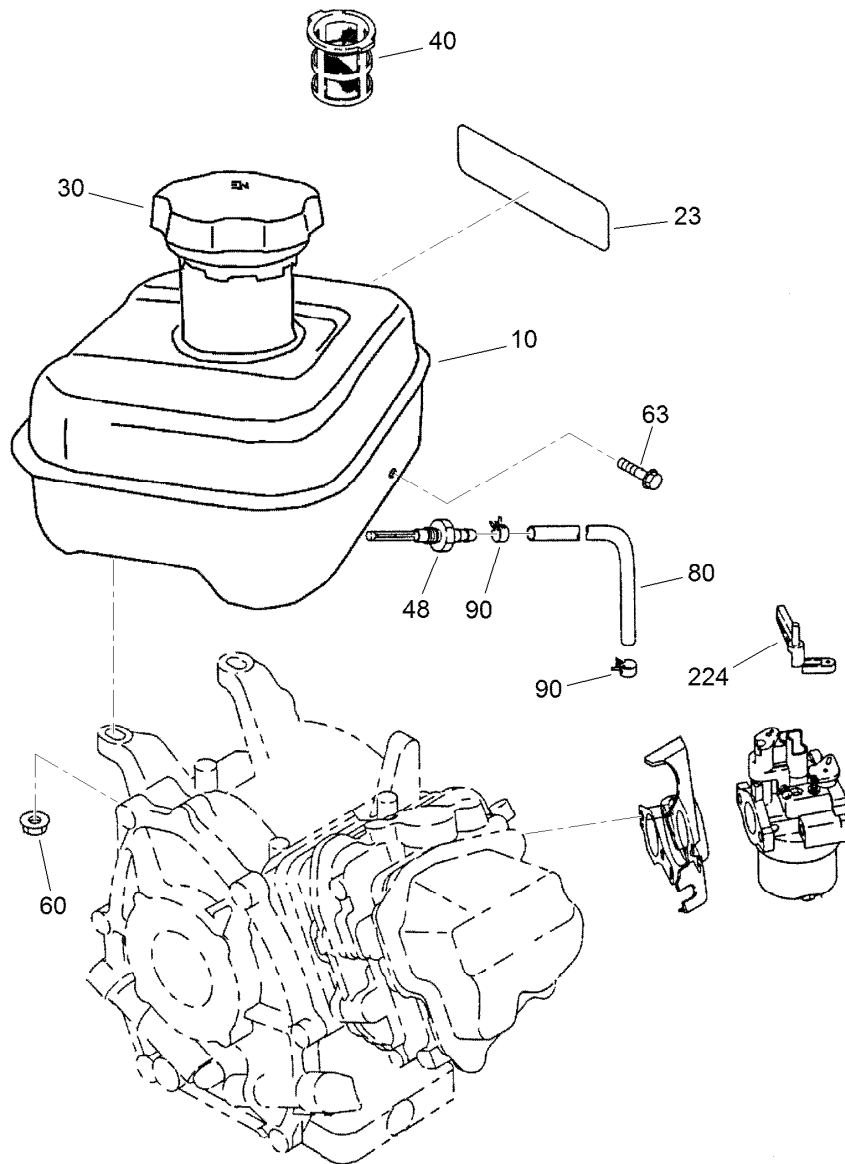
## Recoil and Shroud Assembly

<i>Ref.</i>	<i>Part Number</i>	<i>Qty.</i>	<i>Description</i>
10	121-0600	1	Blower Housing ASM
20	121-0550	1	Label-Trademark
40	121-0515	4	Bolt-Flange
60	121-0656	1	Case Baffle No.1 ASM
61	121-0655	1	Case Baffle No.2 ASM
80	121-0500	1	Bolt-Flange
81	121-0514	1	Bolt-Flange
220	121-6377	4	Bolt And Washer ASM



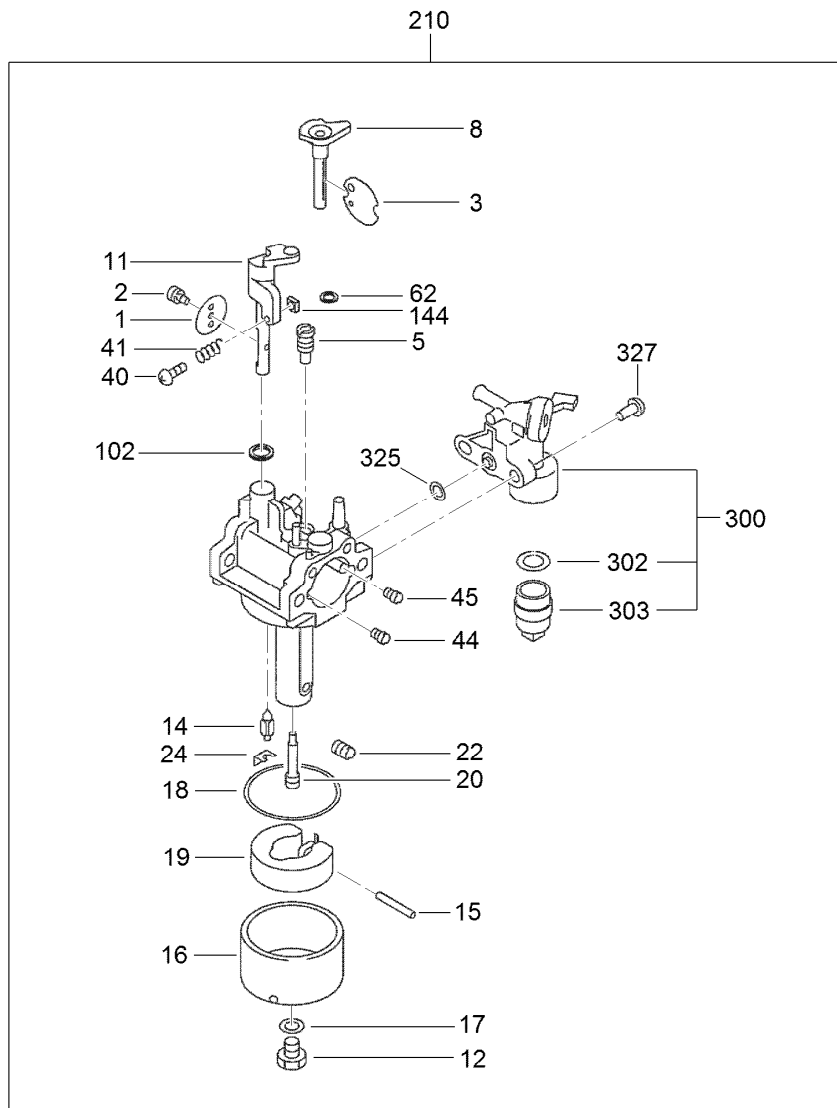
## Recoil Assembly

<i>Ref.</i>	<i>Part Number</i>	<i>Qty.</i>	<i>Description</i>
1	121-6356	1	Spring-Spiral
2	121-6357	1	Reel
3	121-0676	1	Starter Rope
4	121-6358	1	Handle-Starter
5	121-6359	1	Ratchet
6	121-6360	1	Spring-Friction
8	121-6361	1	Plate-Friction
11	121-6362	1	Pulley-Starter
49	121-6363	1	Screw-Center
210	121-6355	1	Recoil Starter ASM



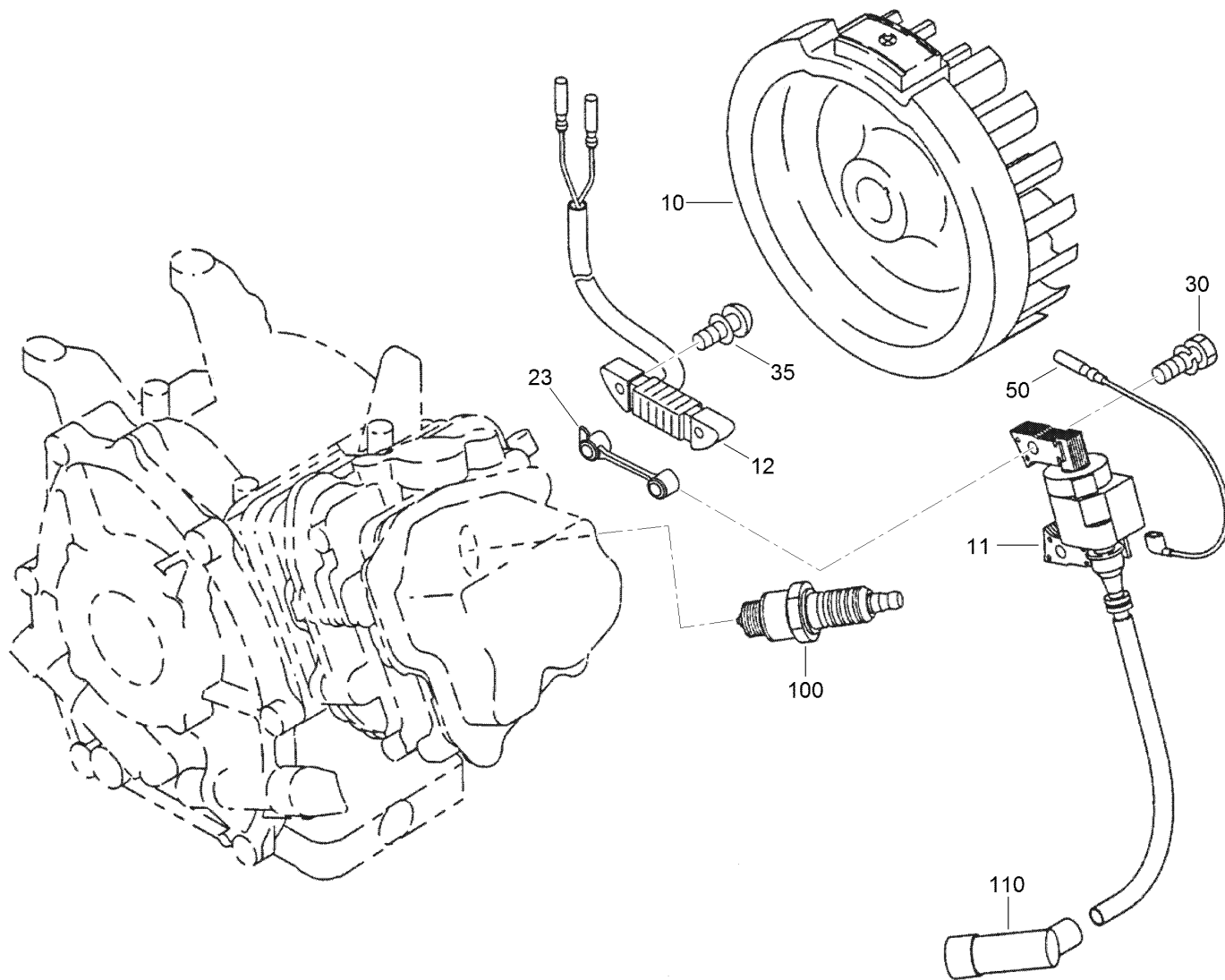
## Fuel Tank Assembly

Ref.	Part Number	Qty.	Description
10	121-6364	1	Fuel Tank ASM (2.7L)
23	121-0605	1	Label-Model
30	121-0684	1	Fuel Tank Cap ASM
40	121-0685	1	Filter-Fuel
48	121-0542	1	Union
60	121-0506	2	Nut-Flange
63	121-0517	1	Bolt-Flange
80	121-6378	1	Pipe-Rubber
90	121-0543	2	Clamp-Hose
224	121-0649	1	Lever-Control, Choke



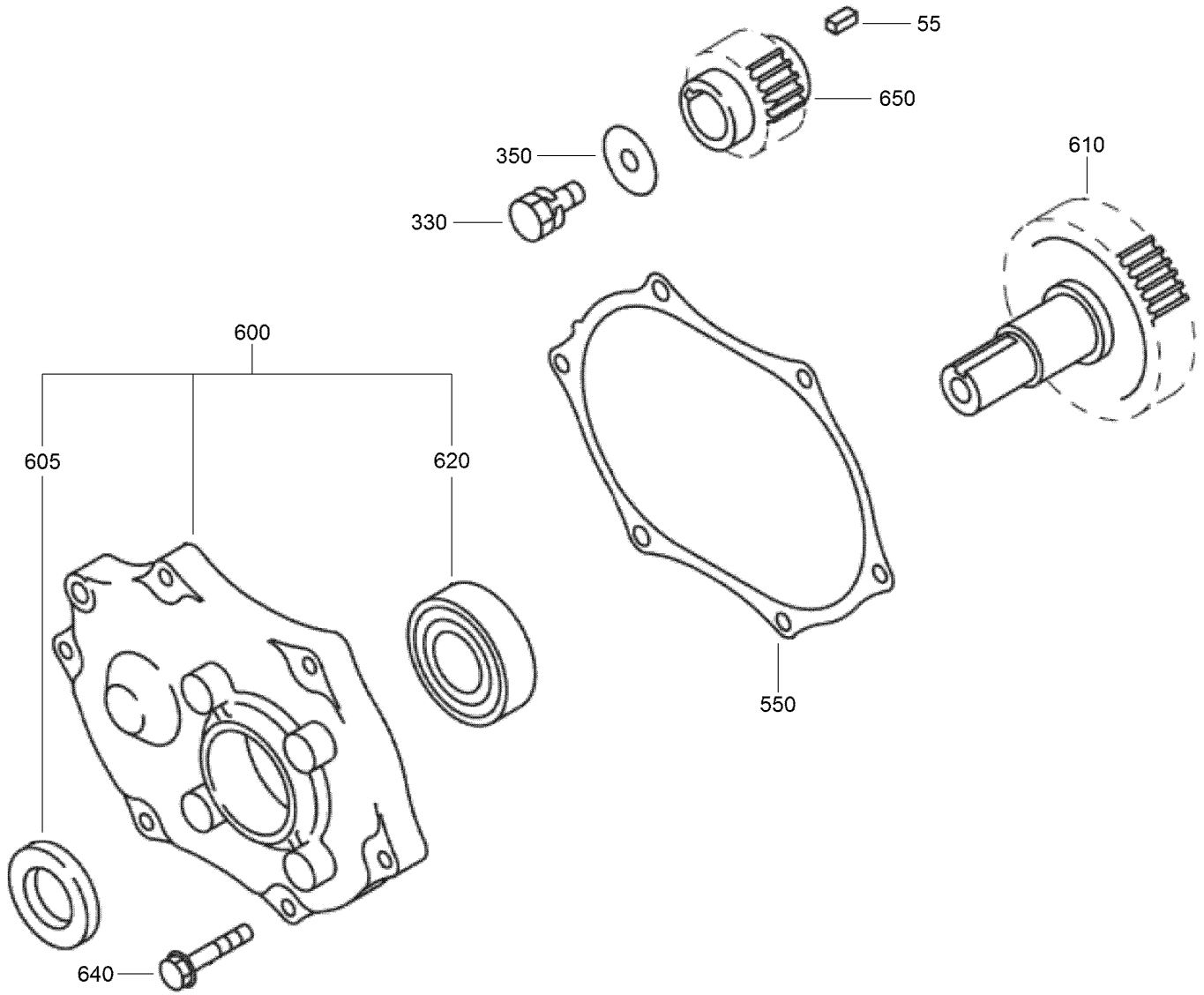
## Carburetor Assembly

<i>Ref.</i>	<i>Part Number</i>	<i>Qty.</i>	<i>Description</i>	<i>Ref.</i>	<i>Part Number</i>	<i>Qty.</i>	<i>Description</i>
1	121-0553	1	Valve-Throttle	24	121-0563	1	Clip
2	121-0558	1	Screw	40	121-0554	1	Screw
3	121-0662	1	Valve-Choke	41	121-0677	1	Spring
5	121-0574	1	Jet-Pilot	44	121-0557	1	Jet-Air
8	121-0661	1	Lever-Choke	45	121-0552	1	Jet-Air, Pilot
11	121-0602	1	Throttle Shaft ASM	62	121-0570	1	Seal
12	121-0568	1	Bolt	102	121-0573	1	Seal
14	121-6366	1	Needle	144	121-0664	1	Nut
15	121-0660	1	Pin	210	121-6365	1	Carburetor ASM
16	121-0659	1	Float Body ASM	300	121-0675	1	Fuel Strainer ASM
17	121-0559	1	Packing	302	121-0658	1	Packing
18	121-0560	1	Packing-Chamber	303	121-0657	1	Cup
19	121-0562	1	Float	325	121-0663	1	O-Ring
20	121-0601	1	Nozzle-Main	327	121-0556	2	Screw
22	121-0575	1	Jet-Main				



## Flywheel and Coil Assembly

Ref.	Part Number	Qty.	Description
10	121-0604	1	Flywheel ASM
11	121-0668	1	Ignition Coil ASM
12	121-6368	1	Lamp Coil ASM
23	121-0669	1	Spacer
30	121-0504	2	Bolt And Washer ASM
35	121-6369	2	Bolt And Washer ASM
50	121-6370	1	Wire-Coil
100	121-0547	1	Plug-Spark
110	121-0548	1	Cap-Spark Plug



## Gear Reduction Assembly

<i>Ref.</i>	<i>Part Number</i>	<i>Qty.</i>	<i>Description</i>
55	121-0536	1	Key
330	121-0501	1	Bolt-Flange
350	121-6371	1	Washer
550	121-0671	1	Gasket-Cover, Reduction
600	121-0670	1	Reduction Cover ASM
605	121-0541	1	Seal-Oil
610	121-6372	1	Shaft-Driving
620	121-0545	1	Bearing-Ball
640	121-0518	6	Bolt-Flange
650	121-6373	1	Shaft-Driven

# Attachments and Accessories

## For 04056 Greensmaster 1600 Mower

<b>Product Name</b>	<b>Model/Part</b>
LED Light Kit.....	04062
Wheel Kit .....	04123
Groomer Reel Kit.....	04132
Turf Evaluator .....	04399
Bedknife-Highcut .....	104-2646
Roller Rebuild Kit.....	107-1588
Bedknife-Fairway.....	107-8181
Bedknife-Micro-Cut.....	112-9275
11 Blade 26in Reel Asm.....	112-9276
Bedbar-Aggressive .....	112-9278-03
Bedbar-Standard .....	112-9280-01
Operator Presence Kit .....	112-9282
Wihle Scraper Kit.....	112-9290
16-Tooth Traction Pulley Kit .....	115-1886
High Altitude Jet-Subaru.....	117-0073
Bedknife-EDGEMAX, Tournament Cut .....	117-1548
Toro Reel Paper (10 Pack).....	125-5610
Toro Reel Shim (0.002in) .....	125-5611
Pulley-Shaft, Differential .....	65-6660
Auxiliary Roller Kit.....	65-8560
.25in Clip Kit.....	65-9000
Bedknife-1/8in.....	93-9015
Bedknife-Tournament Cut.....	94-5885
Height-of-Cut Bar.....	94-9010
8-Blade Reel ASM .....	95-0900
Full Roller ASM.....	95-0930
Arm-HOC, Extended.....	99-4286



**Notes:**

**Notes:**

**Notes:**



**Count on it.**