



**Count on it.**

**Parts Catalog**

**Greensmaster® 1000 Mower**

Model No. 04055—Serial No. 316001001 and Up



# Ordering Replacement Parts

To order replacement parts, please supply the part number, the quantity, and the description of each part desired.

## Understanding Reference Numbers

Each identified part in an illustration has a reference number. The reference number for a part also appears in the parts list, along with other information about the part.

This catalog uses two special reference number formats, one to indicate parts in a service assembly and another to indicate the quantity of a given part in an illustration.

## Service Assembly Reference Numbers

Parts in service assemblies have reference numbers in the form a:b. The a represents the reference number of the entire service assembly and the b represents a sequential number unique to each part within the service assembly.

For example, a wheel assembly might be identified by reference number 6, the tire by 6:1, the valve by 6:2, and the wheel by 6:3. When you order the assembly identified by reference number 6, you receive all parts identified by reference numbers 6:1, 6:2, and 6:3. However, you may also order any part individually. Reference numbers of this type appear in illustration and in parts lists.

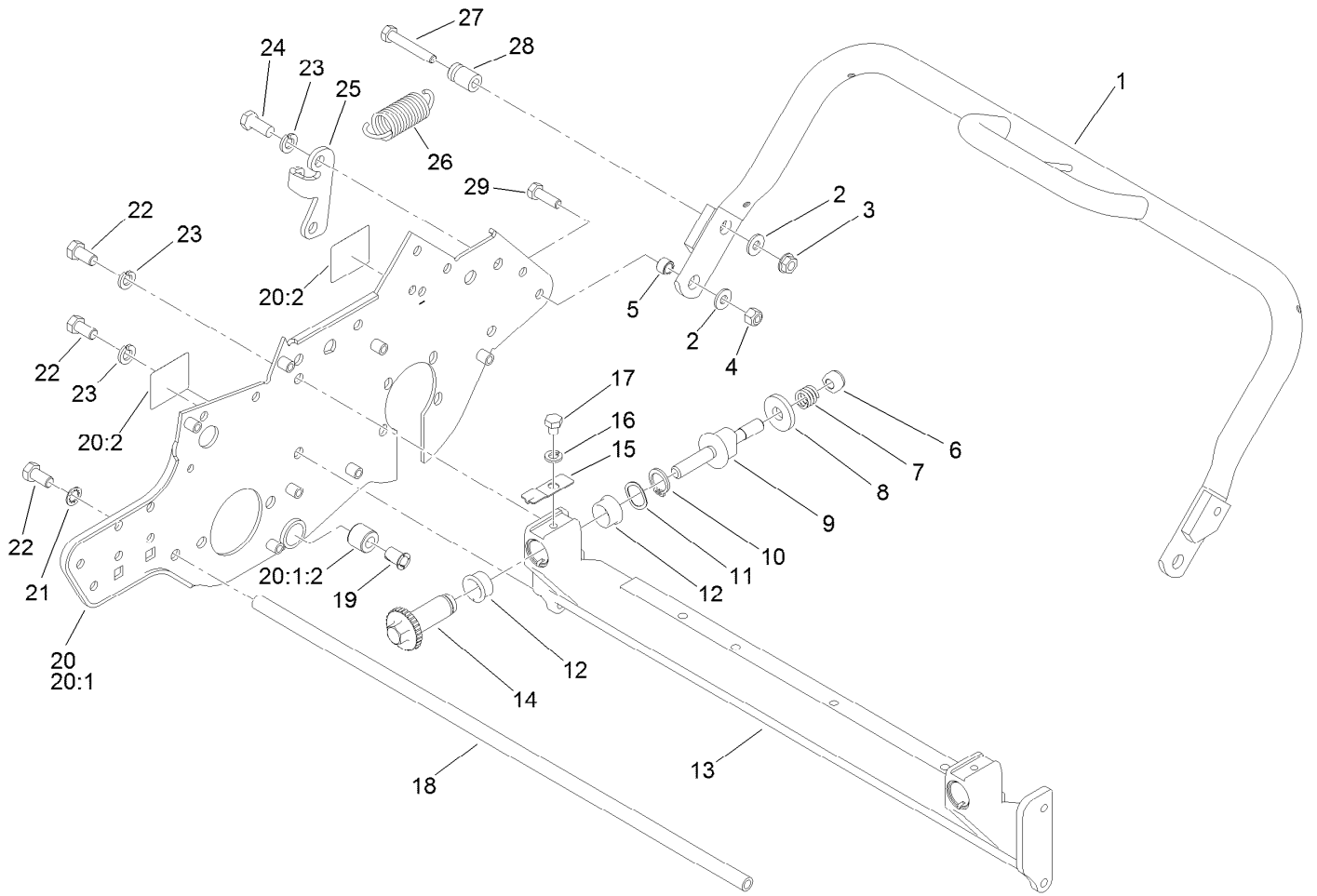
## Reference Numbers Indicating Quantity

In an illustration, if a reference number indicates more than one part, the reference number has the form nX y. The n represents the quantity of the part, the X is the multiplication symbol, and the y represents the reference number.

For example, in an illustration, the reference number 2X 37 means that two of the parts identified by reference number 37 are indicated.

# Contents

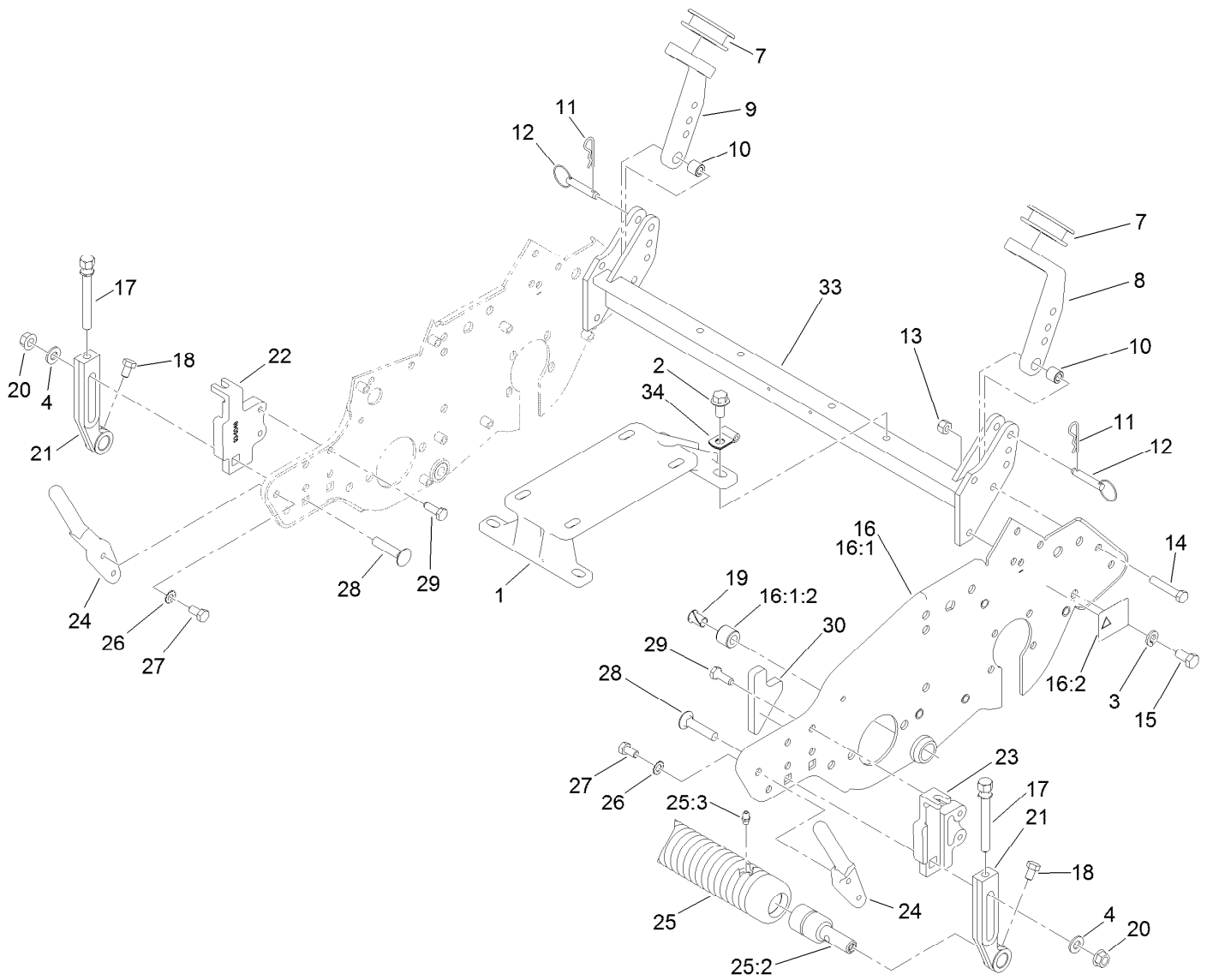
Frame Assembly . . . . .	4
Engine Mount and Frame Assembly . . . . .	5
Reel Assembly . . . . .	6
Reel Drive Assembly . . . . .	7
Bellcrank Assembly . . . . .	9
Drum Drive Assembly . . . . .	10
Drum and Basket Assembly . . . . .	12
Differential Assembly No. 93-6055 . . . . .	13
Inner Countershaft Assembly . . . . .	14
Outer Crankshaft Assembly . . . . .	15
Engine Assembly . . . . .	16
Handle Assembly . . . . .	17
Crankcase Assembly . . . . .	19
Crankshaft and Piston Assembly . . . . .	20
Intake and Exhaust Assembly . . . . .	21
Air Cleaner Assembly . . . . .	23
Governor Assembly . . . . .	24
Recoil and Shroud Assembly . . . . .	25
Recoil Assembly . . . . .	26
Fuel Tank Assembly . . . . .	27
Carburetor Assembly . . . . .	28
Flywheel and Coil Assembly . . . . .	29
Gear Reduction Assembly . . . . .	30
Attachments and Accessories . . . . .	31



## Frame Assembly

Ref.	Part Number	Qty.	Description	Ref.	Part Number	Qty.	Description
1	131-2027-03	1	Kickstand	18	88-7110	1	Rod-Support, Frame
2	3256-2	3	Washer-Flat	19	52-2890	1	Bushing-Nylon
3	32128-25	1	Nut-HF	20	93-6093	1	RH Side Plate ASM
4	3296-29	2	Nut-Lock, NI	20:1		1	RH Sideplate/Bushing ASM
5	65-7910	2	Spacer				●
6	119-4039	2	Nut-Hex, NI	20:1:2	63-9510	1	Bushing
7	119-4156	2	Spring-Compression	20:2	93-9356	2	Decal-Warning, Belt
8	119-4155	2	Washer-Hardened	20:2	93-9389	2	Decal-Warning, Belt (Japan)
9	115-7039	2	Screw-Adjuster, Bedbar	21	3254-6	2	Washer-Lock, Internal
10	32120-93	2	Ring-Retaining	22	323-4	6	Screw-HH
11	119-4164	2	Washer-Wave	23	3253-21	4	Washer-Lock
12	106-5344	4	Bushing-Flange, Keyed	24	323-5	2	Screw-HH
13	120-2707-01	1	Crossmember	25	65-7890	1	Bracket
14	106-5363	2	Shaft-Adjuster	26	65-7880	1	Spring-Extension
15	99-2097	2	Detent	27	322-10	1	Screw-HH
16	3253-4	2	Washer-Lock	28	65-7900	1	Retainer-Spring
17	322-26	2	Screw-HH	29	322-5	2	Screw-HH

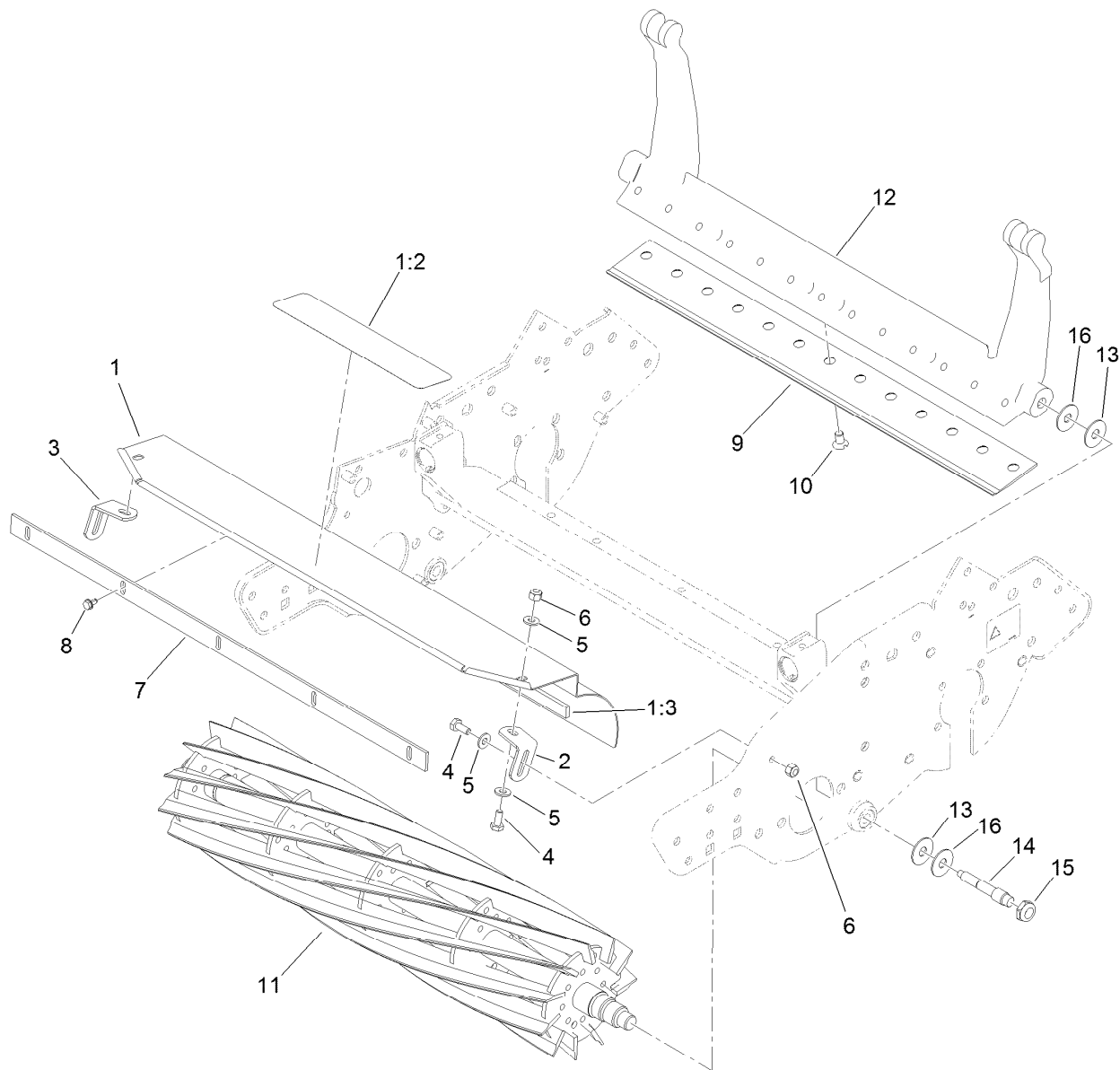
● Not serviced separately



## Engine Mount and Frame Assembly

Ref.	Part Number	Qty.	Description	Ref.	Part Number	Qty.	Description
1	120-2677	1	Mount-Engine	17	93-6051	2	Screw-HOC
2	3234-1	4	Screw-HHF	18	322-1	2	Screw-HH
3	3253-21	4	Washer-Lock	19	52-2890	1	Bushing-Nylon
4	3256-24	2	Washer-Flat	20	32128-21	2	Nut-HF
7	65-7510	2	Grommet-Handle	21	93-6090	2	Arm-HOC
8	93-6038	1	Arm-Support, Handle (LH)	22	93-6048	1	Bracket-HOC, RH
9	93-6037	1	Arm-Support, Handle (RH)	23	93-6049	1	Bracket-HOC, LH
10	93-6024	2	Bushing-Support, Handle	24	65-8570	2	Rod-Mounting
11	3290-467	2	Pin-Hair	25	99-6241	1	Wiehle Roller ASM (.20 Inch Spacing)
12	93-6029	2	Pin-Clevis, Ring	25:2	52-3180	2	Bearing-Roller, Front
13	3296-29	2	Nut-Lock, NI	25:3	302-5	2	Fitting-Grease
14	322-9	2	Screw-HH	26	3255-8	4	Washer-Lock
15	323-4	2	Screw-HH	27	322-2	4	Screw-HH
16	93-6094	1	LH Side Plate ASM	28	3231-5	2	Screw-CARR
16:1		1	LH Sideplate/Bushing ASM	29	92-8914	4	Bolt-Face, Tapered
16:1:2	63-9510	1	Bushing	30	93-6064	1	Seal-Catcher, Grass
16:2	93-9356	1	Decal-Warning, Belt	33	120-2711-01	1	Rear Frame ASM
16:2	93-9389	1	Decal-Warning, Belt (Japan)	34	133-2367	1	Clip

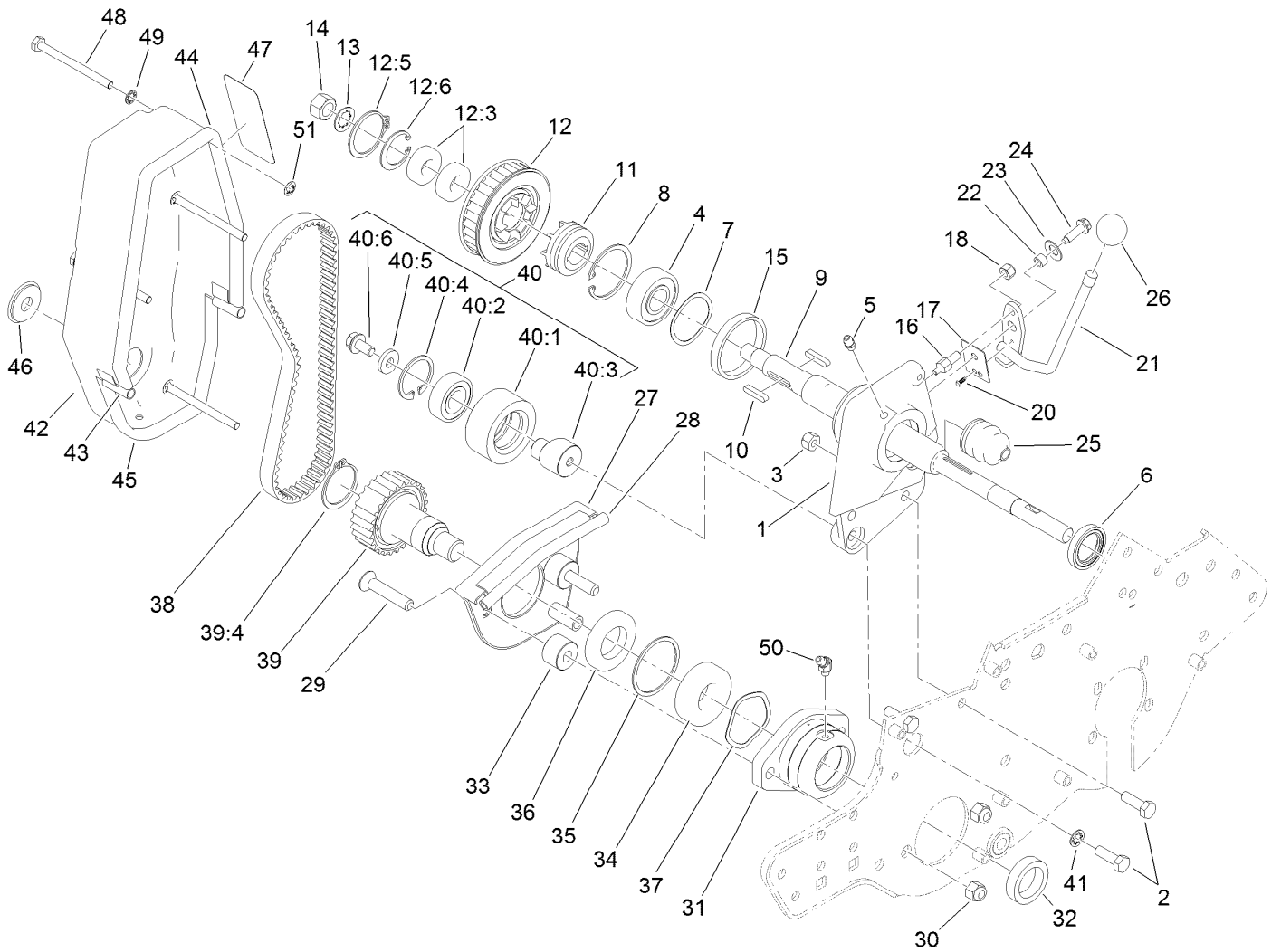
● Not serviced separately



## Reel Assembly

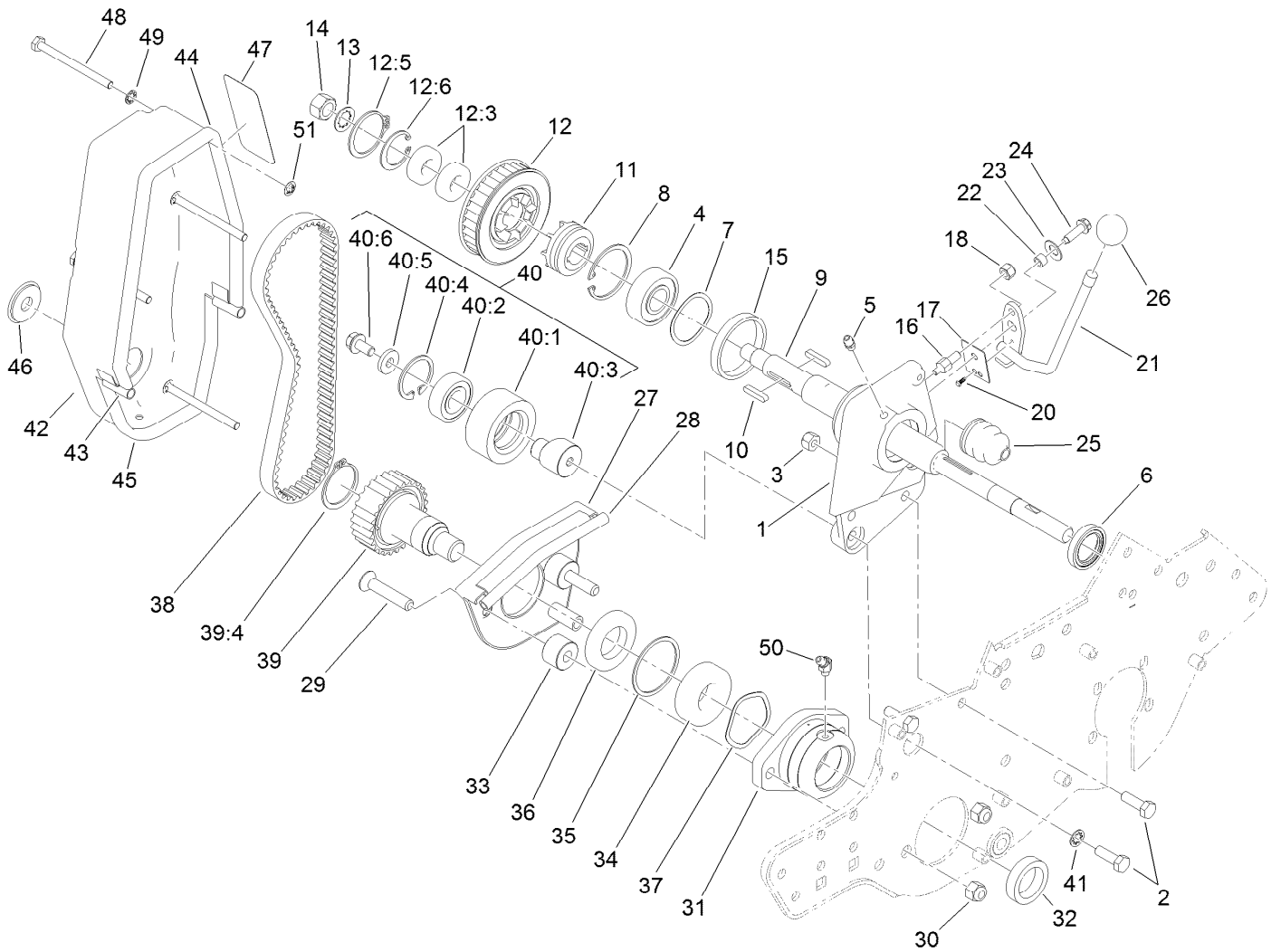
Ref.	Part Number	Qty.	Description	Ref.	Part Number	Qty.	Description
1	112-9471	1	Grass Shield ASM	9	115-1881	1	Bedknife-Edgemax, Tournament ●
1:2	84-6560	1	Decal-Warning (Japan)	9	63-8600	1	Bedknife-Fairway ●
1:2	93-8064	1	Decal-Danger, CE	9	93-4262	1	Bedknife-Microcut ●
1:3	106-2619	1	Strip-Seal	9	93-4263	1	Bedknife-Tournament Cut ●
2	65-6450	1	Bracket-LH	9	93-4264	1	Bedknife-Low Cut ●
3	65-6460	1	Bracket-RH	9	94-6392	1	Bedknife-Highcut ●
4	321-3	4	Screw-HH	10	119-4151	13	Screw-Bedknife
5	3256-22	6	Washer-Flat	11	132-7312	1	8 Blade Reel ASM (Optional Equipment)
6	3296-42	4	Nut-Lock, NI	11	132-7313	1	ES 11 Blade Reel ASM
7	36-7260	1	Bar-Off, Cut	11	132-7314	1	14 Blade Reel ASM (Optional Equipment)
8	104-2065	5	Screw-HWH	12	112-9279-03	1	Bedbar-Aggressive
9	108-4302	1	Bedknife-Tournament, Extended ●	12	112-9281-01	1	Bedbar-Standard
9	108-4303	1	Bedknife-Microcut, Extended ●	13	52-2900	4	Washer-Plastic
9	112-7475	1	Bedknife-Edgemax (21 Inch Fairway) ●	14	117-9493	2	Bolt-Bedbar
9	115-1880	1	Bedknife-Edgemax, Microcut	15	3296-28	2	Nut-Lock, NI
				16	52-2860	4	Washer

● Optional Equipment



## Reel Drive Assembly

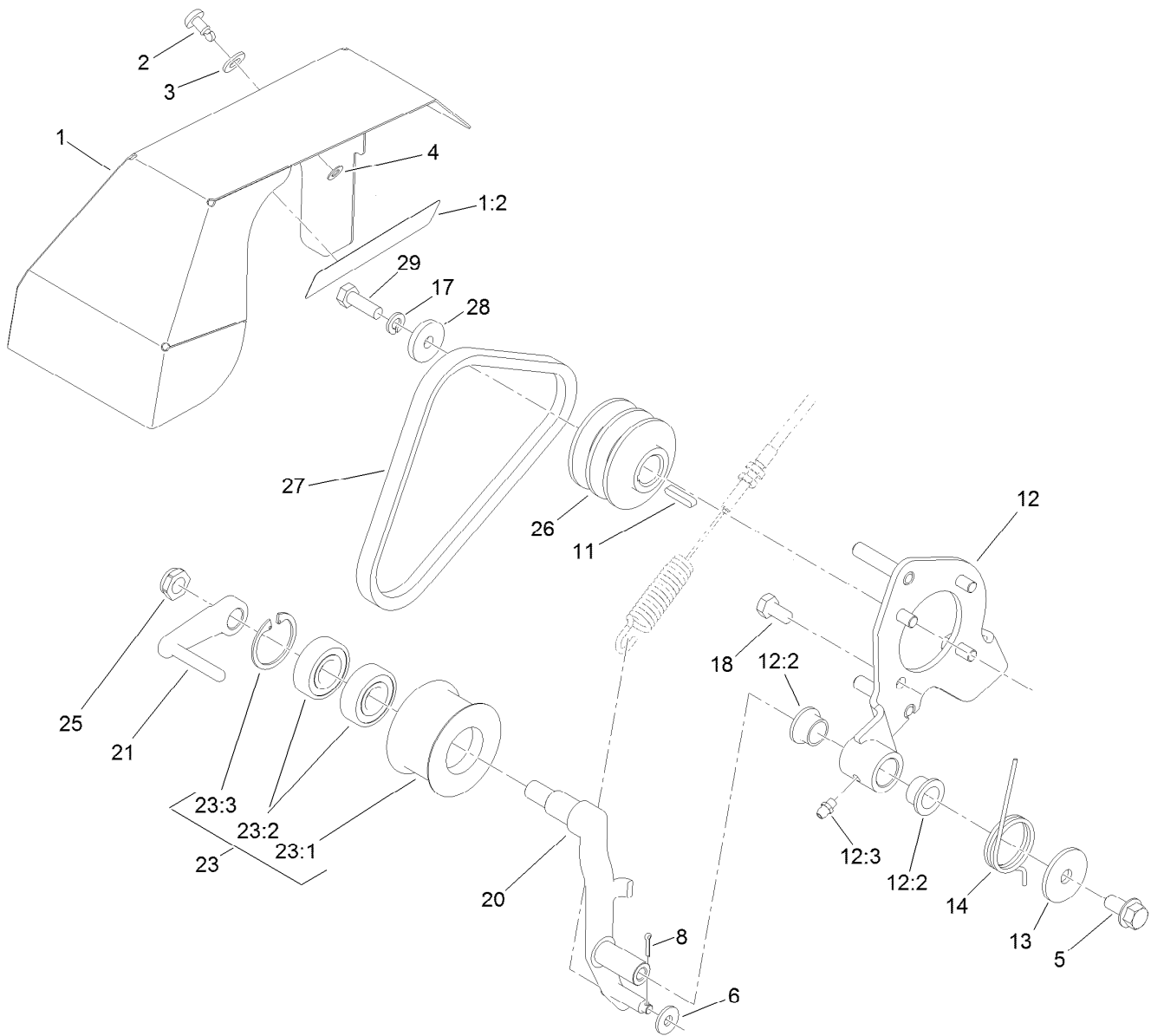
<i>Ref.</i>	<i>Part Number</i>	<i>Qty.</i>	<i>Description</i>	<i>Ref.</i>	<i>Part Number</i>	<i>Qty.</i>	<i>Description</i>
1	120-3180	1	Housing-Clutch	20	95-5731	1	Screw-Drive
2	322-5	3	Screw-HH	21	88-7170	1	Lever-Clutch
3	3296-29	2	Nut-Lock, NI	22	88-7860	1	Spacer
4	251-318	1	Bearing-Ball	23	3290-414	1	Washer-Belleville
5	302-5	1	Fitting-Grease	24	80-0700	1	Screw-HH, Torx
6	253-118	1	Seal-Oil	25	65-8960	1	Boot-Clutch
7	88-7720	1	Spring-Wave	26	233-69	1	Knob
8	32151-75	1	Ring-Retaining	27	65-7190-01	1	Cover-Arm
9	93-6056	1	Shaft-Power	28	65-7131	1	Seal-Cover, Strip
10	88-7150	2	Key-Square	29	3289-23	2	Capscrew
11	65-6940	1	Clutch-Slider, Jaw	30	3296-39	2	Nut-Lock, NI
12	88-7830	1	Clutch And Pulley ASM	31	65-8640	1	Housing-Bearing
12:3	251-336	2	Bearing-Ball	32	253-96	1	Seal-Oil
12:5	32151-95	1	Ring-Retaining	33	65-8290	2	Standoff-Cover
12:6	32151-89	1	Ring-Retaining, Bowed	34	251-342	1	Bearing-Ball
13	3254-4	1	Washer-Lock/Int	35	32151-92	1	Ring-Retaining
14	3219-5	1	Nut-Hex	36	253-163	1	Seal
15	65-6970	1	Seal-Felt	37	3290-485	1	Washer-Wave
16	93-9014	1	Pin-Clutch, Actuator	38	65-6200	1	Belt
17	65-6290	1	Spring-Detent, Clutch	39	88-7840	1	Pulley And Drive ASM
18	3296-42	1	Nut-Lock, NI	39:4	32151-95	1	Ring-Retaining



## Reel Drive Assembly (continued)

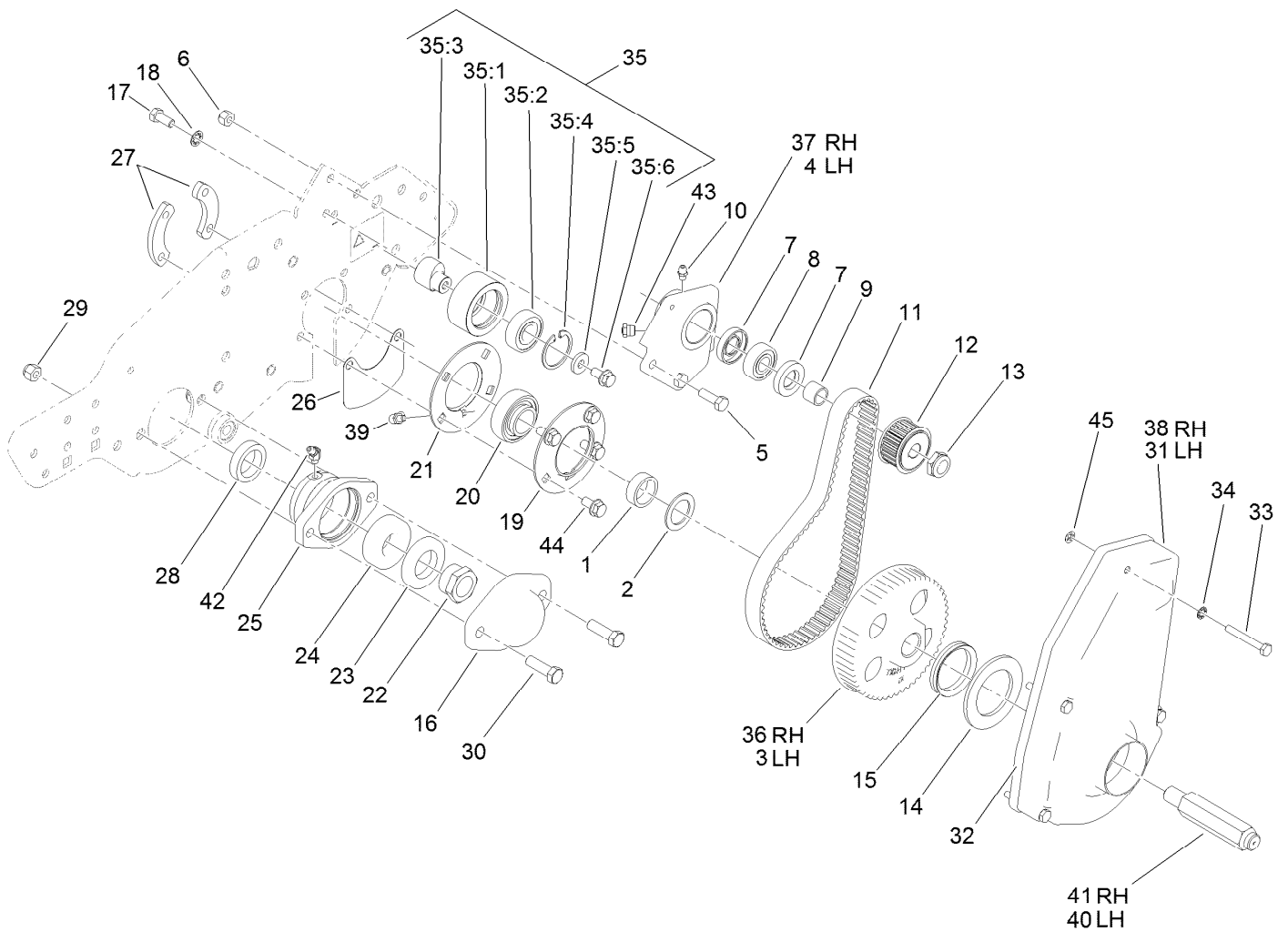
<i>Ref.</i>	<i>Part Number</i>	<i>Qty.</i>	<i>Description</i>	<i>Ref.</i>	<i>Part Number</i>	<i>Qty.</i>	<i>Description</i>
40	88-7850	1	Idler Pulley ASM	44	88-7790	1	Strip-Seal, Upper
40:1	88-7180	1	Pulley-Idler	45	88-7800	1	Strip-Seal, Lower
40:2	38-7820	1	Bearing-Ball	46	237-160	1	Plug-Rubber
40:3	88-7190	1	Spacer	47	92-4817	1	Decal-Engagement, Reel (Japan)
40:4	32120-42	1	Ring-Retaining	47	93-7346	1	Decal-Engagement, Reel
40:5	88-7200	1	Washer-Flat	48	321-20	4	Screw-HH
40:6	3234-14	1	Screw-HHF	49	3254-8	4	Washer-Lock
41	3254-2	1	Washer-Lock, Internal	50	302-11	1	Fitting-Lube, 45 DEG
42	88-7700-01	1	Cover-Drive, Reel	51	106-8737	4	Nut-Retainer
43	88-7770	2	Strip-Seal, Front				





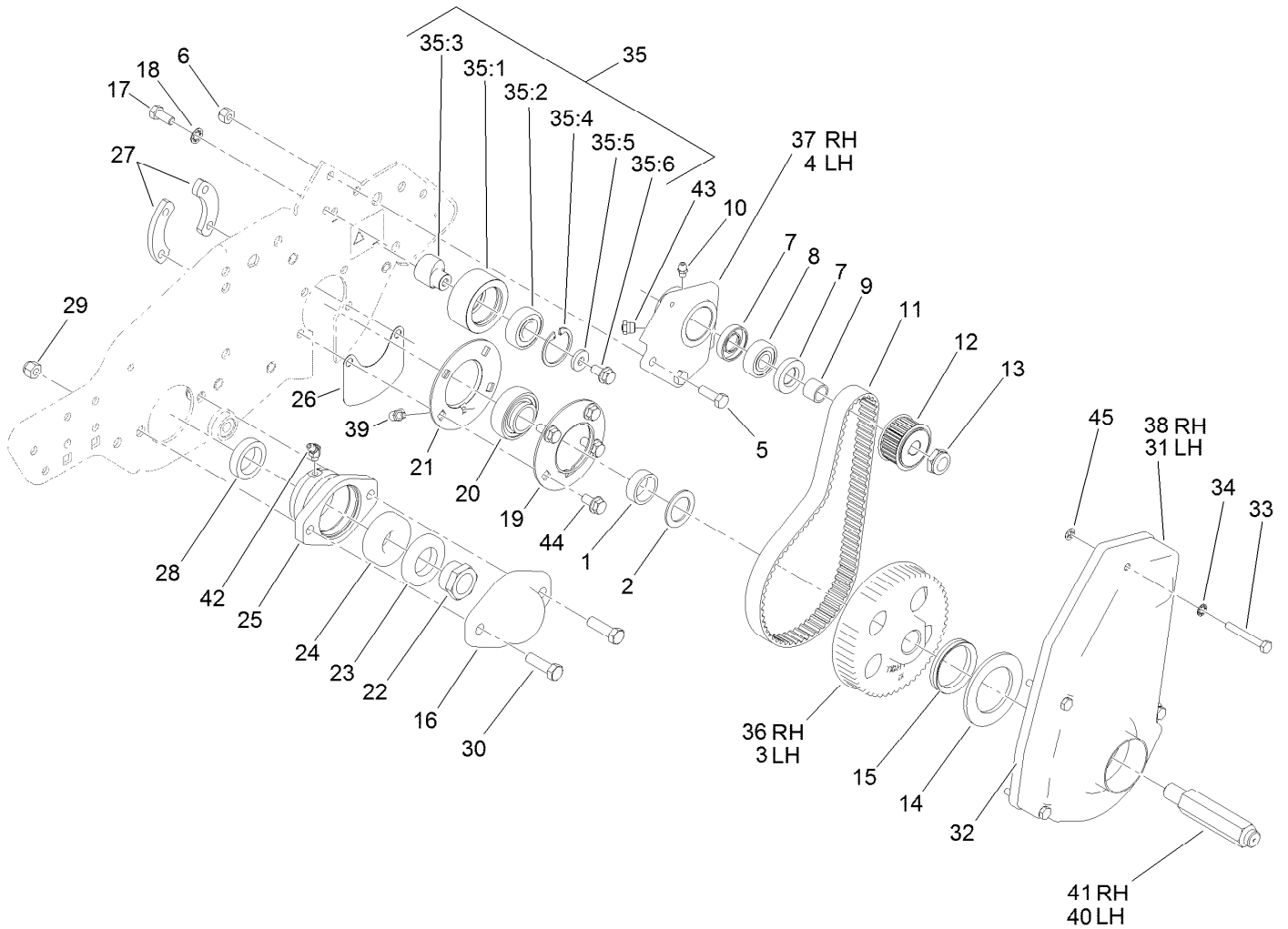
## Bellcrank Assembly

<i>Ref.</i>	<i>Part Number</i>	<i>Qty.</i>	<i>Description</i>	<i>Ref.</i>	<i>Part Number</i>	<i>Qty.</i>	<i>Description</i>
1	131-8783	1	Bellcrank Cover ASM	17	3253-4	1	Washer-Lock
1:2	125-5245	1	Decal-Danger, Shields	18	99-5132	4	Bolt
2	93-6074	1	Stud	20	127-2235	1	Lever-Clutch
3	3256-70	1	Washer-Flat	21	112-9390	1	Guide-Belt
4	93-6073	1	Washer-Nylon	23	112-9385	1	Idler Pulley ASM
5	110-1718	1	Screw-HHF	23:1	98-7297	1	Pulley-Idler
6	3256-78	1	Washer-Flat	23:2	38-7820	2	Bearing-Ball
8	3272-5	1	Pin-Cotter	23:3	32120-42	1	Ring-Retaining
11	88-7150	1	Key-Square	25	3296-45	1	Nut-Lock, NI
12	125-5210	1	Clutch Bracket ASM	26	115-7306	1	Pulley-Drive, Input
12:2	65-8770	2	Bushing-Bellcrank	27	92-9218	1	Belt-V, Matched Set
12:3	302-5	1	Fitting-Grease	28	65-8270	1	Washer
13	93-6099	1	Washer	29	33114-025	1	Screw-HH
14	93-6012	1	Spring-Torque, Clutch Lever				



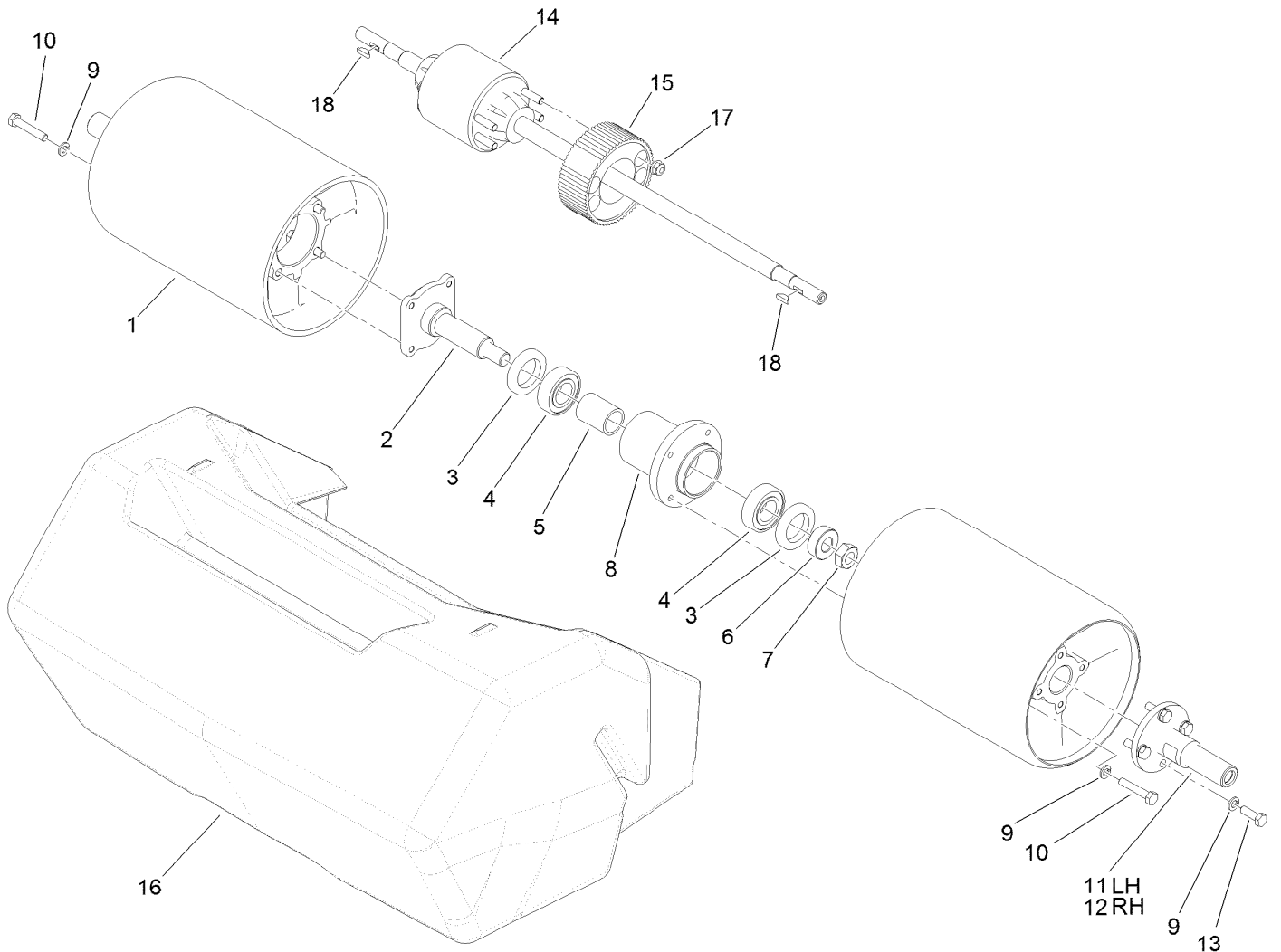
## Drum Drive Assembly

Ref.	Part Number	Qty.	Description	Ref.	Part Number	Qty.	Description
1	88-7530	2	Spacer	21	95-0923	2	Flangette
2	88-7540	2	Washer-Backup	22	92-7302	1	Nut-Lock, Bearing
3	105-5365	1	Pulley-Drum, LH	23	253-163	1	Seal
4	108-9414	1	Housing-Support, Differential (LH)	24	251-342	1	Bearing-Ball
5	322-5	4	Screw-HH	25	65-8640	1	Housing-Bearing
6	3296-29	4	Nut-Lock, NI	26	65-8720	2	Closure-Plate, Side
7	253-160	4	Seal-Grease	27	65-8730	4	Clamp-Bearing
8	251-338	2	Bearing-Ball	28	253-96	1	Seal-Oil
9	86-7130	2	Spacer-Pulley	29	3296-39	2	Nut-Lock, NI
10	302-5	2	Fitting-Grease	30	323-7	2	Screw-HH
11	65-6210	2	Belt	31	88-7680-01	1	Cover-Belt Drum, LH
12	65-6660	2	Pulley	32	88-7810	2	Seal-Strip, Drum Cover
13	3296-57	2	Nut-Lock, NI	33	321-11	8	Screw-HH
14	94-9018	2	Washer-Plastic	34	3254-8	8	Washer-Lock
15	253-161	2	Seal-V-Ring	35	88-7850	2	Idler Pulley ASM
16	65-6220-01	1	Cover-End, Reel	35:1	88-7180	1	Pulley-Idler
17	322-2	2	Screw-HH	35:2	38-7820	1	Bearing-Ball
18	3254-2	2	Washer-Lock, Internal	35:3	88-7190	1	Spacer
19	120-2739	2	Flangette	35:4	32120-42	1	Ring-Retaining
20	88-7880	2	Bearing	35:5	88-7200	1	Washer-Flat
				35:6	3234-14	1	Screw-HHF



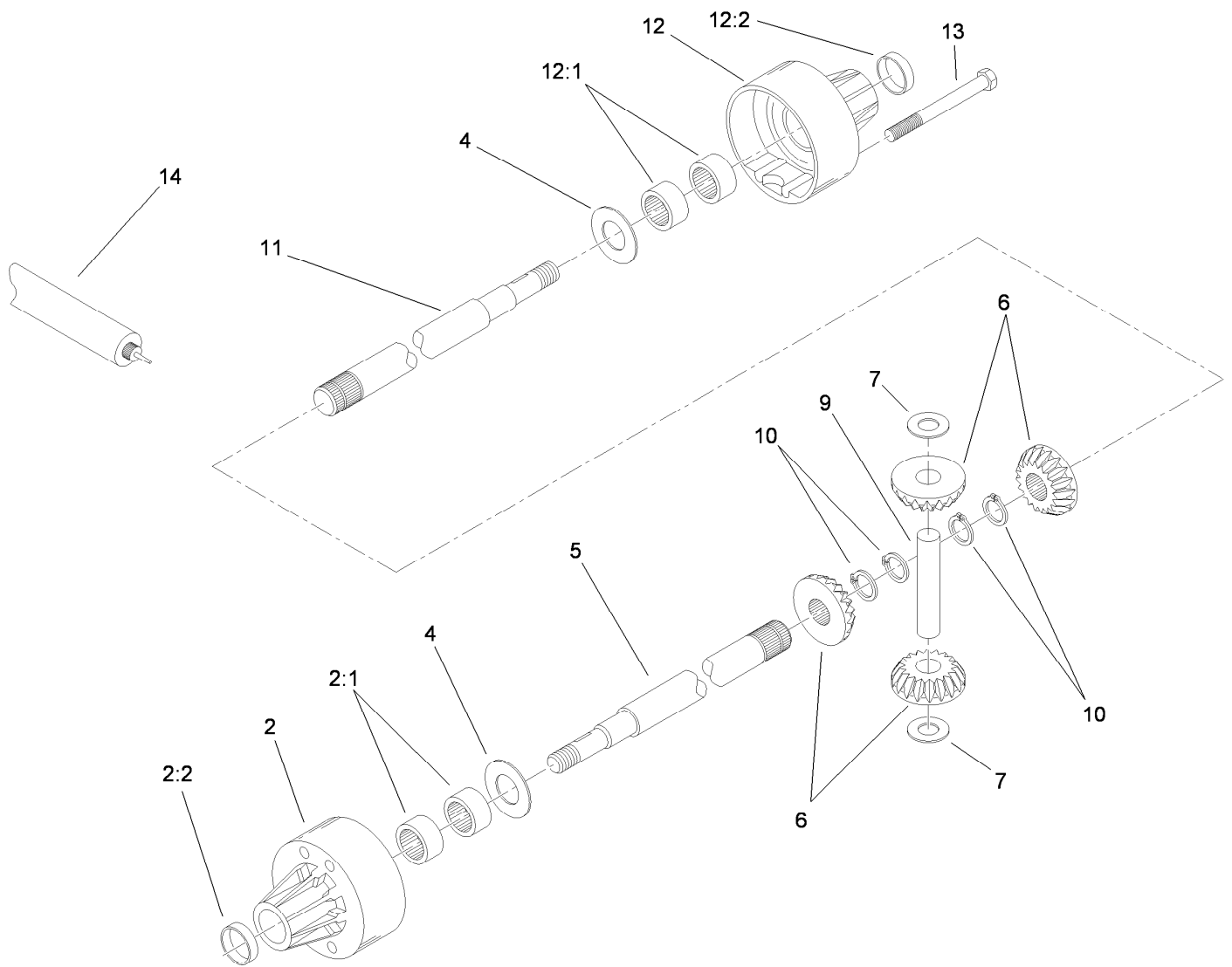
## Drum Drive Assembly (continued)

<i>Ref.</i>	<i>Part Number</i>	<i>Qty.</i>	<i>Description</i>	<i>Ref.</i>	<i>Part Number</i>	<i>Qty.</i>	<i>Description</i>
36	105-5364	1	Pulley-Drum, RH	41	88-7590	1	Shaft-Wheel, Transport (RH)
37	108-9416	1	Housing-Support, Differential (RH)	42	302-11	1	Fitting-Lube, 45 DEG
38	88-7690-01	1	Cover-Drum, Belt (RH)	43	302-34	2	Fitting-Lube
39	104-1843	2	Fitting-Grease, 90 DEG	44	3234-14	8	Screw-HHF
40	88-7580	1	Shaft-Wheel, Transport (LH)	45	106-8737	8	Nut-Retainer



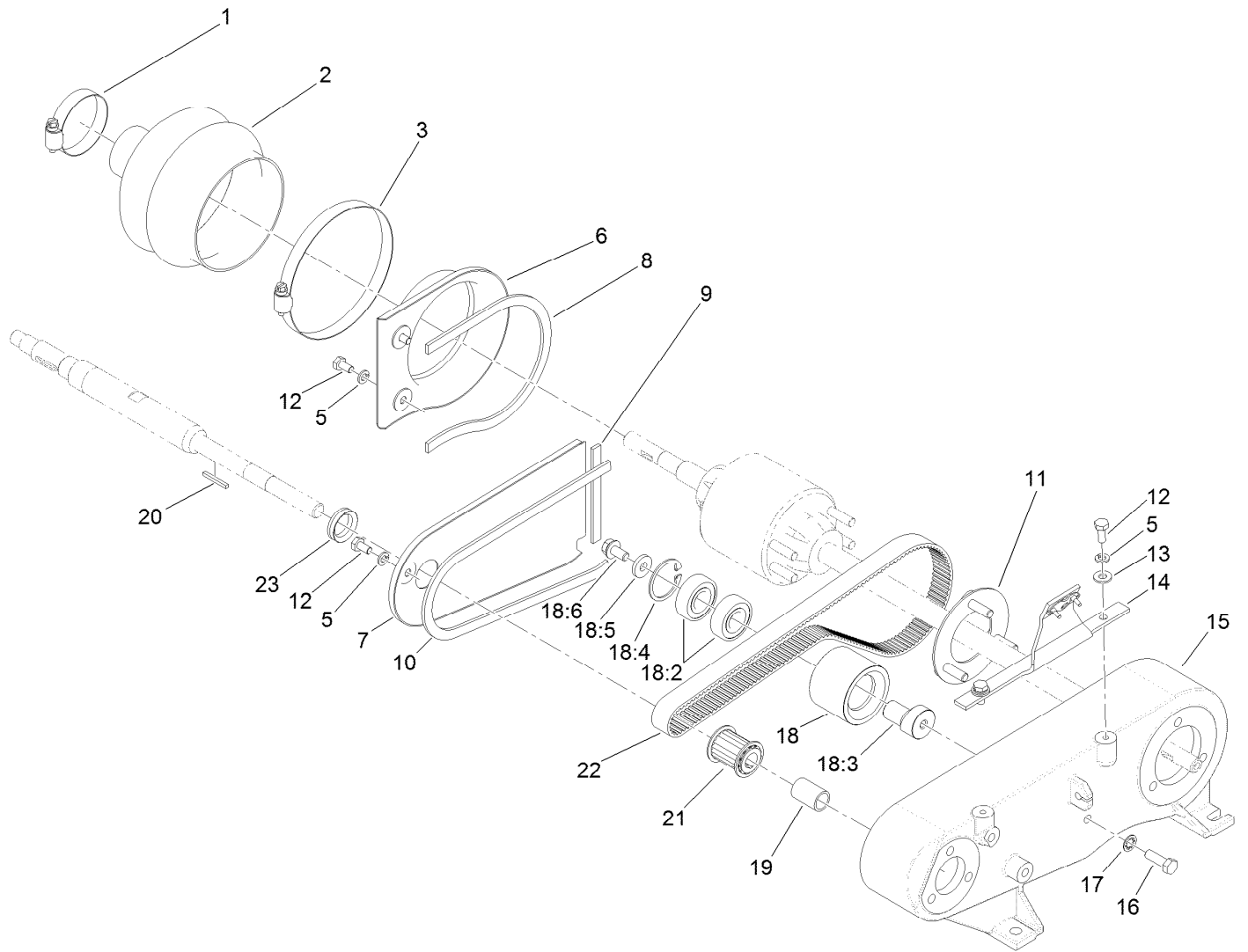
## Drum and Basket Assembly

<i>Ref.</i>	<i>Part Number</i>	<i>Qty.</i>	<i>Description</i>	<i>Ref.</i>	<i>Part Number</i>	<i>Qty.</i>	<i>Description</i>
1	117-1408	2	Drum	10	322-9	8	Screw-HH
2	94-5850	1	Spindle-Drum	11	132-3841	1	Shaft-Drum Extension, RH
3	253-159	2	Seal	12	132-3842	1	Shaft-Drum Extension, LH
4	251-82	2	Bearing-Ball	13	322-5	8	Screw-HH
5	65-6520	1	Spacer	14	93-6055	1	Differential ASM
6	65-6530	1	Spacer	15	65-9120	1	Pulley-Housing, Differential
7	3296-33	1	Nut-Lock, NI	16	130-0109	1	Basket-Grass
8	132-6971	1	Hub-Drum	17	104-8300	4	Nut-HF, NI
9	3253-4	16	Washer-Lock	18	3257-30	2	Key-Woodruff



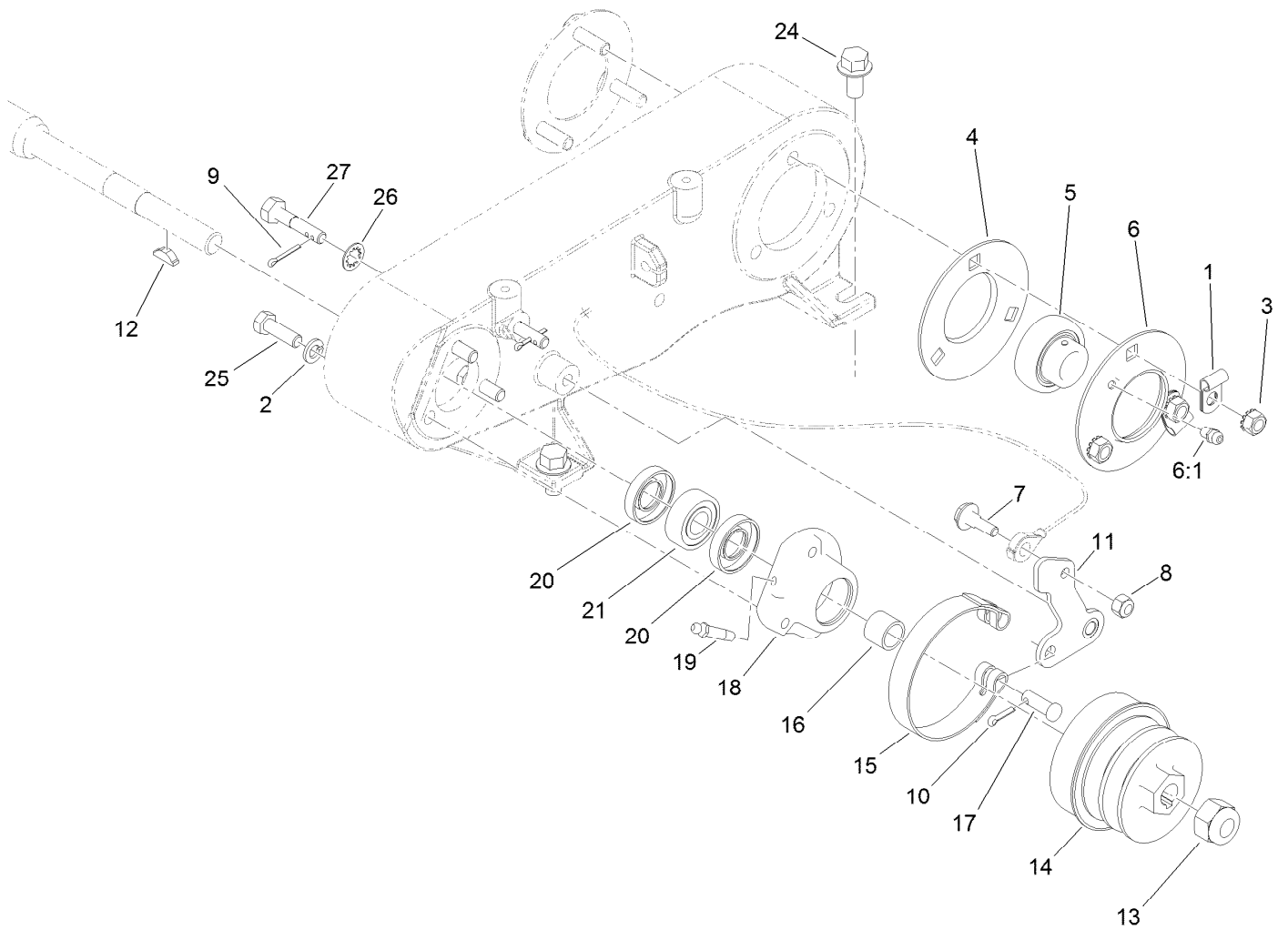
## Differential Assembly No. 93-6055

Ref.	Part Number	Qty.	Description
2	95-5741	1	Carrier-Differential
2:1	95-5738	4	Bearing-Needle
2:2	95-5737	2	Seal-Oil
4	95-5745	4	Washer
5	95-5736	1	Axle (Long)
6	104-0503	1	Gear Set-Differential
7	95-5744	2	Washer-Flat
9	95-5747	1	Pin-Drive
10	95-5746	4	Ring-Retaining
11	95-5735	1	Axle (Short)
12	95-5740	1	Carrier-Differential
12:1	95-5738	4	Bearing-Needle
12:2	95-5737	2	Seal-Oil
13	95-5739	4	Screw
14	95-5734	1	Grease Petro Dist.



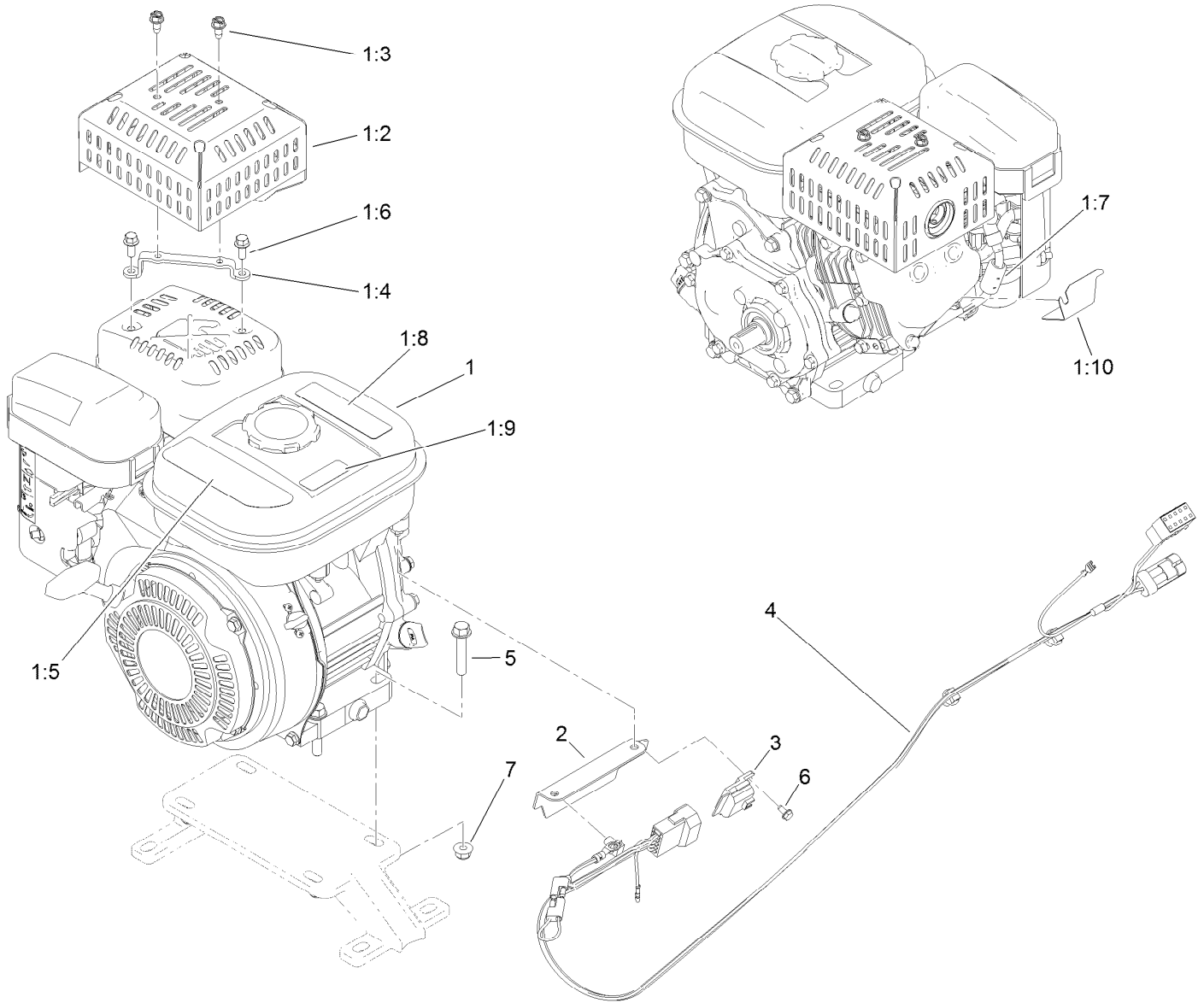
## Inner Countershaft Assembly

<i>Ref.</i>	<i>Part Number</i>	<i>Qty.</i>	<i>Description</i>	<i>Ref.</i>	<i>Part Number</i>	<i>Qty.</i>	<i>Description</i>
1	2412-139	1	Clamp-Hose	16	322-4	1	Screw-HH
2	65-6800	1	Boot-Differential	17	3254-2	1	Washer-Lock, Internal
3	2412-140	1	Clamp-Hose	18	88-7870	1	Idler Pulley ASM
5	3253-3	5	Washer-Lock	18:2	38-7820	2	Bearing-Ball
6	88-7250-03	1	Cover-Box, Rear	18:3	88-7380	1	Spacer-Pulley
7	88-7240-03	1	Cover-Box, Front	18:4	32120-42	1	Ring-Retaining
8	65-6902	1	Strip-Seal, Cover	18:5	88-7200	1	Washer-Flat
9	65-6903	1	Strip-Seal, Cover	18:6	3234-14	1	Screw-HHF
10	65-6901	1	Strip-Seal, Cover	19	86-7140	1	Spacer
11	65-6720	1	Plate-Screw	20	65-6850	1	Key-Square
12	321-3	5	Screw-HH	21	65-8910	1	Pulley-Countershaft
13	3256-22	2	Washer-Flat	22	65-9080	1	Belt
14	93-1448	1	Bracket-Cover	23	125-5201	1	Seal-V-Ring
15	88-7230	1	Housing-Shaft, Counter				



## Outer Crankshaft Assembly

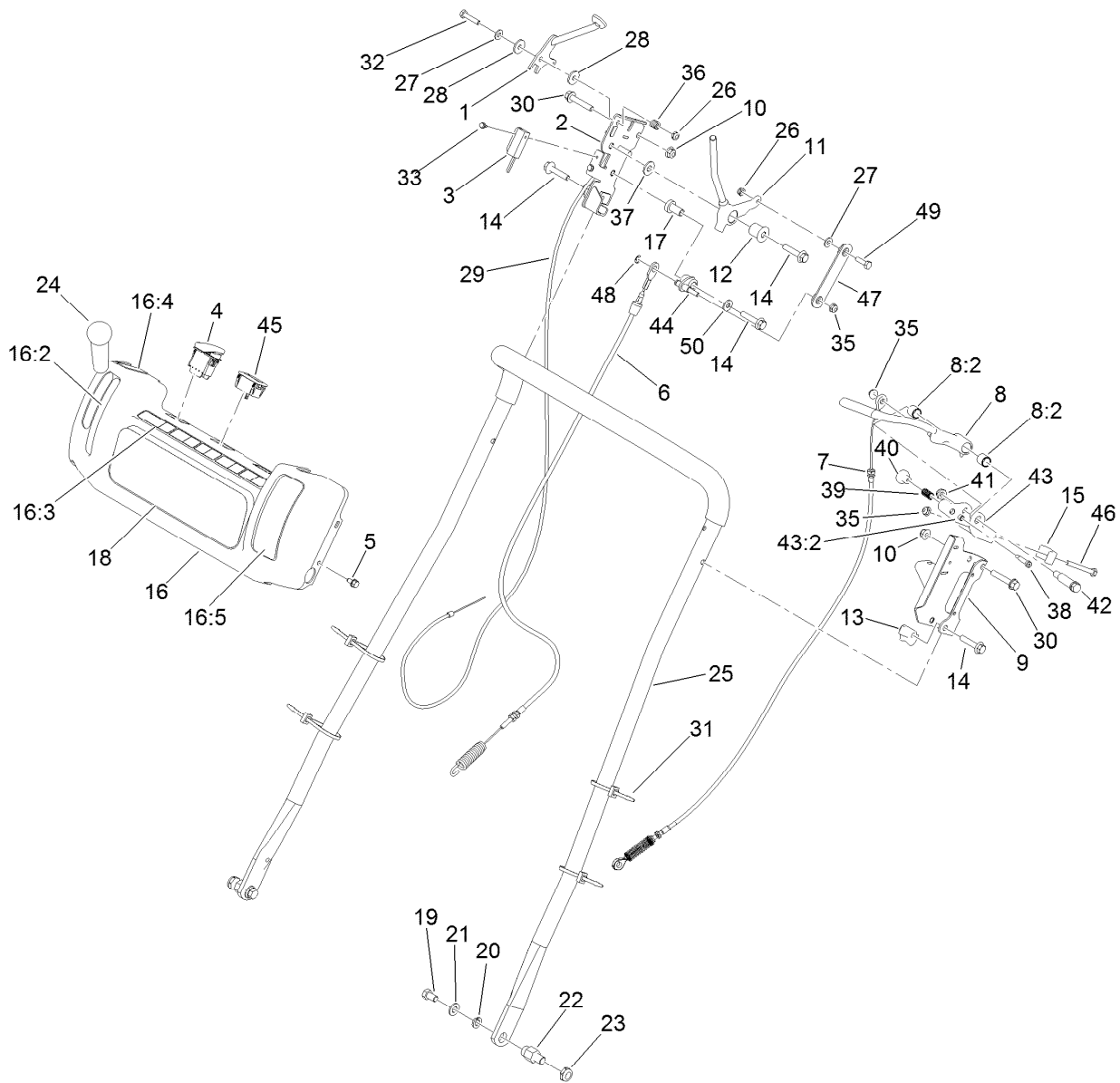
<i>Ref.</i>	<i>Part Number</i>	<i>Qty.</i>	<i>Description</i>	<i>Ref.</i>	<i>Part Number</i>	<i>Qty.</i>	<i>Description</i>
1	88-7970	2	Clip	13	3296-63	1	Nut-Lock, NI
2	3253-4	3	Washer-Lock	14	92-9212	1	Pulley-Shaft, Input
3	32149-1	3	Nut-Keps	15	65-8700	1	Band-Brake
4	65-6710	1	Flangette-Bearing	16	86-7130	1	Spacer-Pulley
5	108-7663	1	Bearing-Race, Extended	17	283-75	1	Pin-Clevis
6	65-6700	1	Flangette-Lube	18	120-3163	1	Housing-Bearing
6:1	302-55	1	Fitting-Grease	19	302-64	1	Fitting-Grease
7	11-9030	1	Screw-Shoulder	20	253-160	2	Seal-Grease
8	3296-42	1	Nut-Lock, NI	21	251-338	1	Bearing-Ball
9	3272-6	2	Pin-Cotter	24	3234-1	4	Screw-HHF
10	3272-8	1	Pin-Cotter	25	322-5	3	Screw-HH
11	117-1433	1	Lever-Brake, Lower	26	3254-6	2	Washer-Lock, Internal
12	3257-30	1	Key-Woodruff	27	117-1430	2	Bolt-Mount, Brake



## Engine Assembly

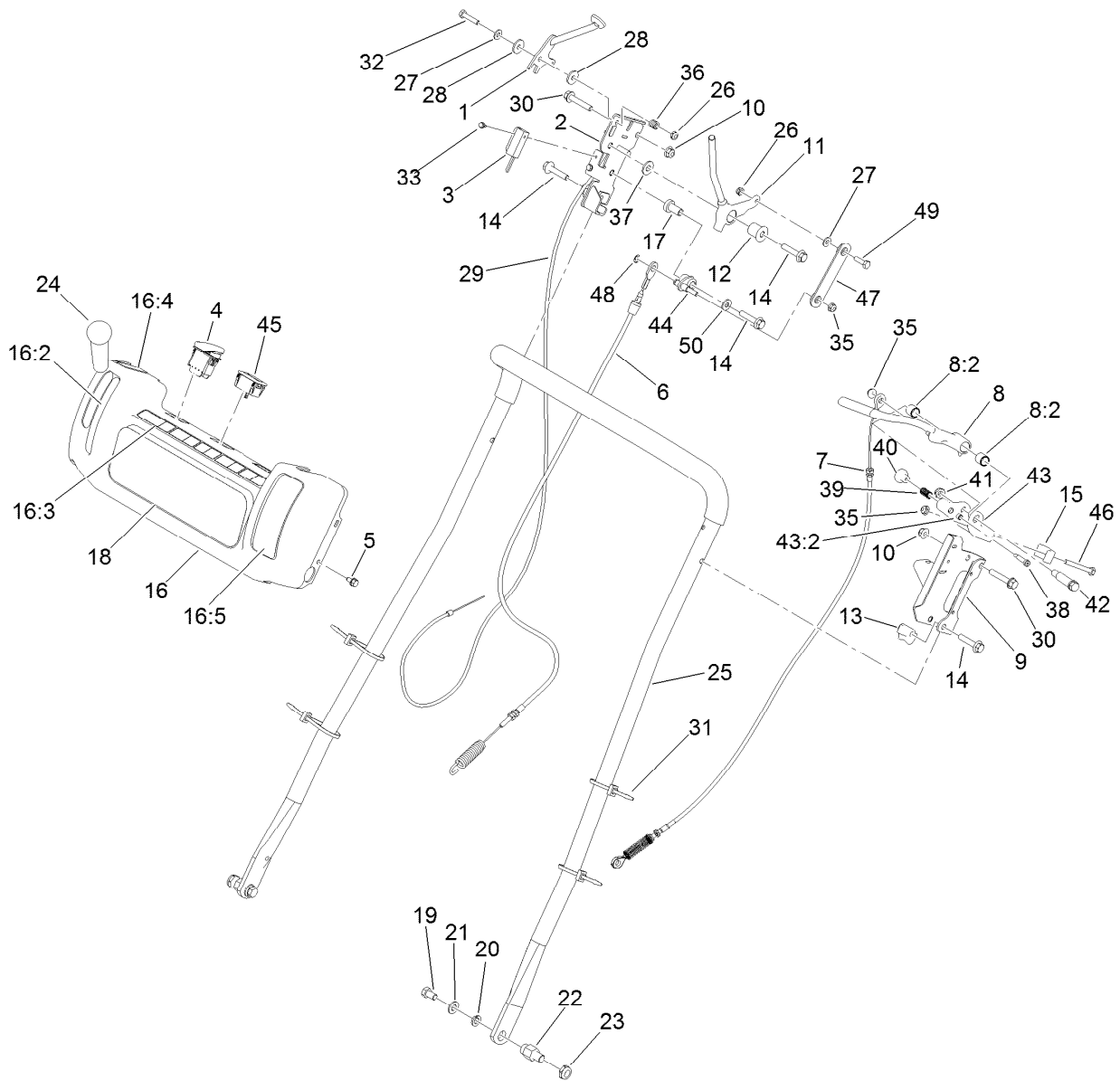
Ref.	Part Number	Qty.	Description	Ref.	Part Number	Qty.	Description
1	130-6466	1	Engine ASM	1:9	130-8322	1	Decal-Warning, Ethanol
1:2	120-9240-03	1	Guard-Muffler	1:10	133-2355	1	Shield
1:3	120-9551	2	Screw-HWH	2	120-2705-03	1	Plate-Harness, Wire
1:4	115-7352	1	Bracket-Guard, Muffler	3	1-323430	1	Module-Interlock
1:5	120-2769	1	Decal-Warning	4	120-6338	1	Harness-Wire
1:6	104-2628	2	Screw-HWH	5	94-5780	4	Screw-HWH
1:7	112-1540	1	Ferrite-Snap On	6	104-2065	1	Screw-HWH
1:8	117-2718	1	Decal-Arrester, Spark	7	104-8300	4	Nut-HF, NI





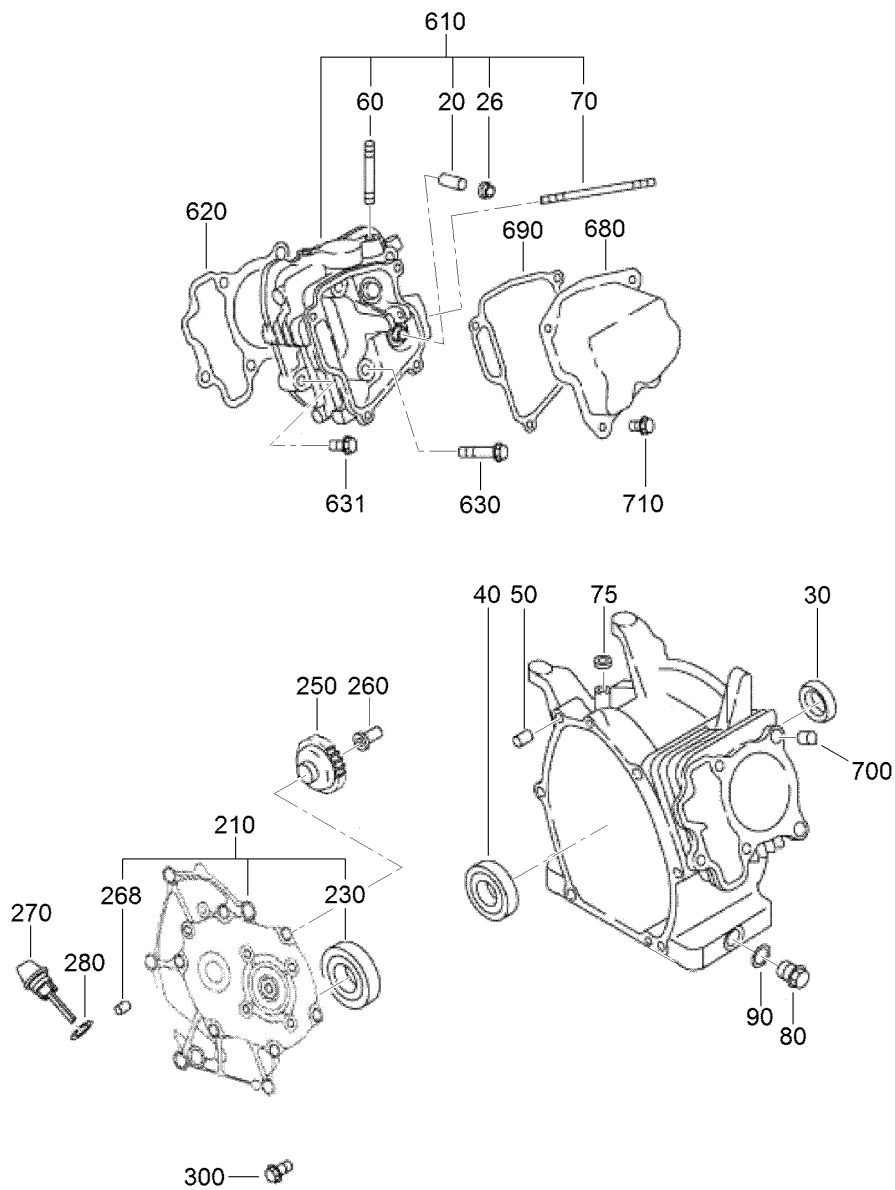
## Handle Assembly

Ref.	Part Number	Qty.	Description	Ref.	Part Number	Qty.	Description
1	120-2697	1	Lever-Throttle	17	65-5080	1	Bushing-Flange
2	125-5188-03	1	Bracket-Traction	18	115-1130	1	Decal-Console
3	100-1270	1	Switch-Proximity	19	323-34	2	Screw-HH
4	112-9420	1	Switch-Engine	20	3253-21	2	Washer-Lock
5	104-2628	4	Screw-HWH	21	3256-24	2	Washer-Flat
6	130-0107	1	Control Clutch Cable ASM	22	110-7364	2	Pin-Handle, Pivot
7	115-1714	1	Cable-Brake, Squeeze	23	3296-28	2	Nut-Lock, NI
8	125-5207	1	Squeeze Brake Lever ASM	24	104-9760	1	Knob-Black
8:2	27-6250	2	Bushing	25	120-2713	1	Handle
9	127-2233-03	1	Bracket-Brake	26	3296-56	2	Nut-Lock, NI
10	104-8300	2	Nut-HF, NI	27	3256-22	2	Washer-Flat
11	125-5248	1	Lever-Traction	28	66-2921	2	Washer-Friction
12	112-9317	1	Bushing-Flanged	29	120-2709	1	Cable-Throttle
13	110-2415	2	Clamp-Handle	30	94-5780	2	Screw-HWH
14	112-9318	4	Screw-HHF, Locking	31	3290-378	4	Tie-Cable
15	115-1703	1	Mount-Rear	32	321-8	1	Screw-HH
16	125-5199	1	Console ASM	33	104-2065	2	Screw-HWH
16:2	115-1720	1	Decal-Lever, Traction	35	104-7201	3	Nut-HF
16:3	120-2761	1	Decal-Warning	36	3-5787	1	Spring-Compression
16:4	93-6085	1	Decal-Throttle	37	3256-3	1	Washer-Flat
16:5	120-2727	1	Decal-Brake	38	115-1699	1	Screw-Shoulder



## Handle Assembly (continued)

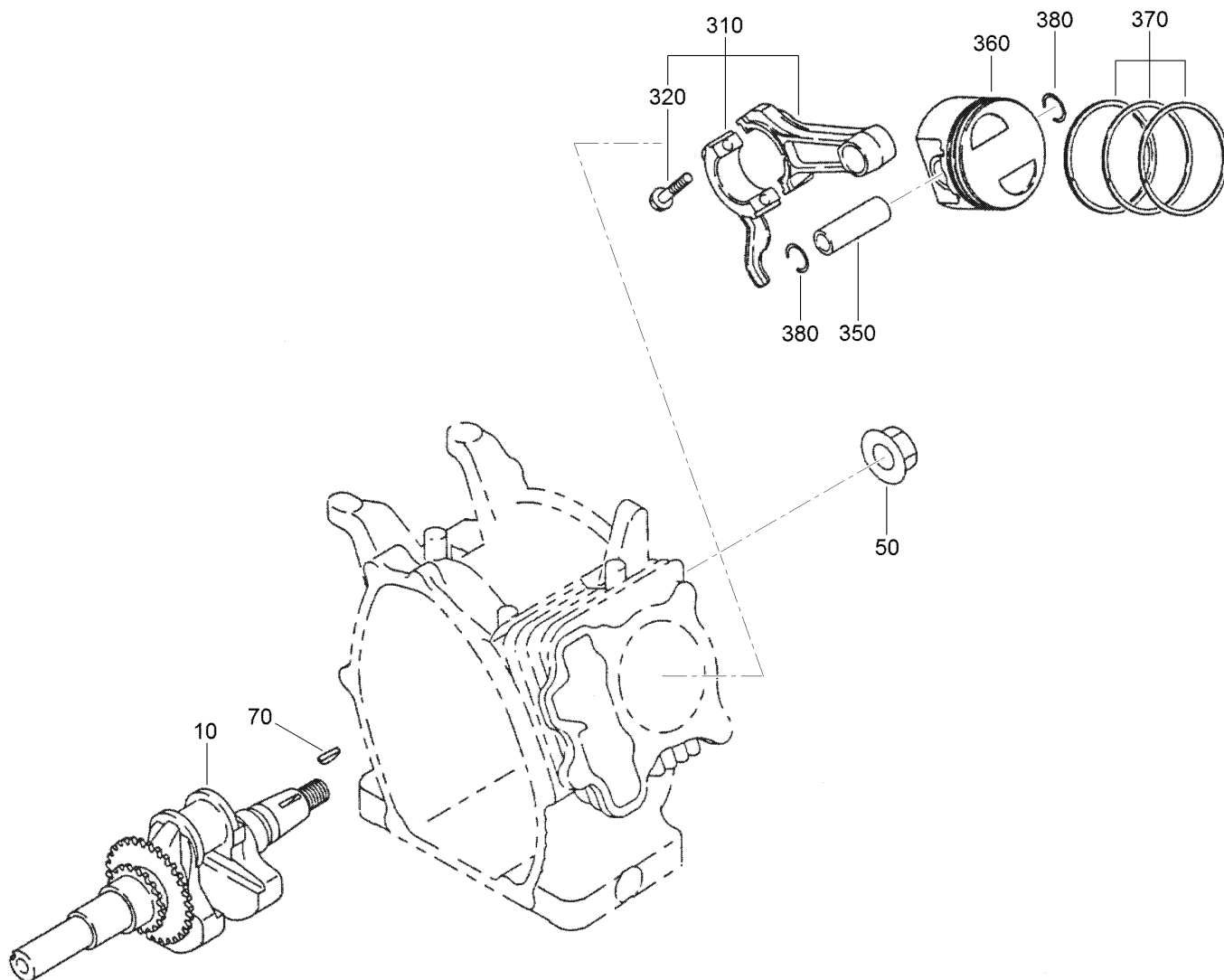
<i>Ref.</i>	<i>Part Number</i>	<i>Qty.</i>	<i>Description</i>	<i>Ref.</i>	<i>Part Number</i>	<i>Qty.</i>	<i>Description</i>
39	107-8885	1	Spring-Compression	45	119-1347	1	Meter-Hour
40	115-1688	1	Arm-Lock, Brake	46	321-11	1	Screw-HH
41	3296-59	1	Nut-Lock, NI	47	132-9579	1	Linkage-Traction
42	115-1116	1	Screw-Shoulder	48	701197	1	E-Ring
43	115-1704	1	Front Mount ASM	49	321-5	1	Screw-HH
43:2	256-112	1	Bushing	50	120-9646	1	Washer-Flat
44	127-6142	1	Pivot-Traction				



## Crankcase Assembly

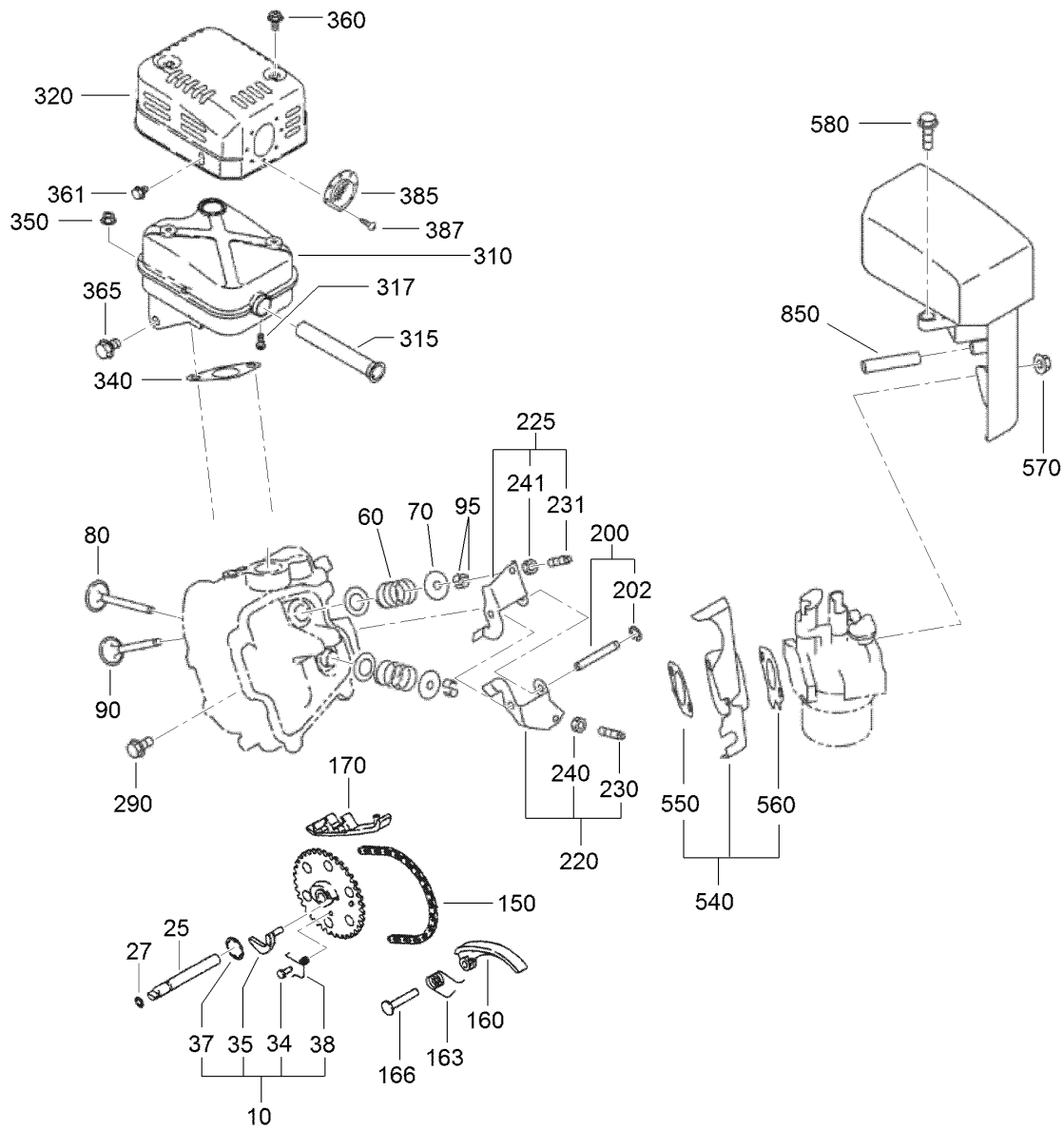
<i>Ref.</i>	<i>Part Number</i>	<i>Qty.</i>	<i>Description</i>	<i>Ref.</i>	<i>Part Number</i>	<i>Qty.</i>	<i>Description</i>
20	121-0571	2	Guide-Valve	270	121-0665	1	Gauge-Oil
26	121-0611	1	Seal-Stem	280	121-6374	1	Gasket
30	121-0540	1	Seal-Oil	300	121-0502	6	Bolt-Flange
40	121-0546	1	Bearing-Ball	610	121-0672	1	Cylinder Head ASM (Serial No. 1Xxxxxxx)
50	121-0608	2	Pipe-Knock	610	125-9159	1	Cylinder Head ASM (Serial No. 2Xxxxxxx)
60	121-0512	2	Stud	620	121-0585	1	Gasket-Head
70	121-0511	2	Stud	630	121-0519	4	Bolt-Flange
75	121-0539	1	Seal-Oil	631	121-0520	1	Bolt-Flange
80	121-0538	1	Plug	680	121-0609	1	Rocker Cover ASM
90	121-0532	1	Gasket	690	121-0610	1	Gasket-Cover, Rocker
210	121-0607	1	Main Bearing Cover ASM	700	121-0608	2	Pipe-Knock
230	121-0544	1	Bearing-Ball	710	121-0514	4	Bolt-Flange
250	121-0652	1	Governor Gear ASM	960	121-0606	1	Gasket Set ●
260	121-0641	1	Sleeve-Governor				
268	121-6351	2	Pin-Straight				

● Not illustrated



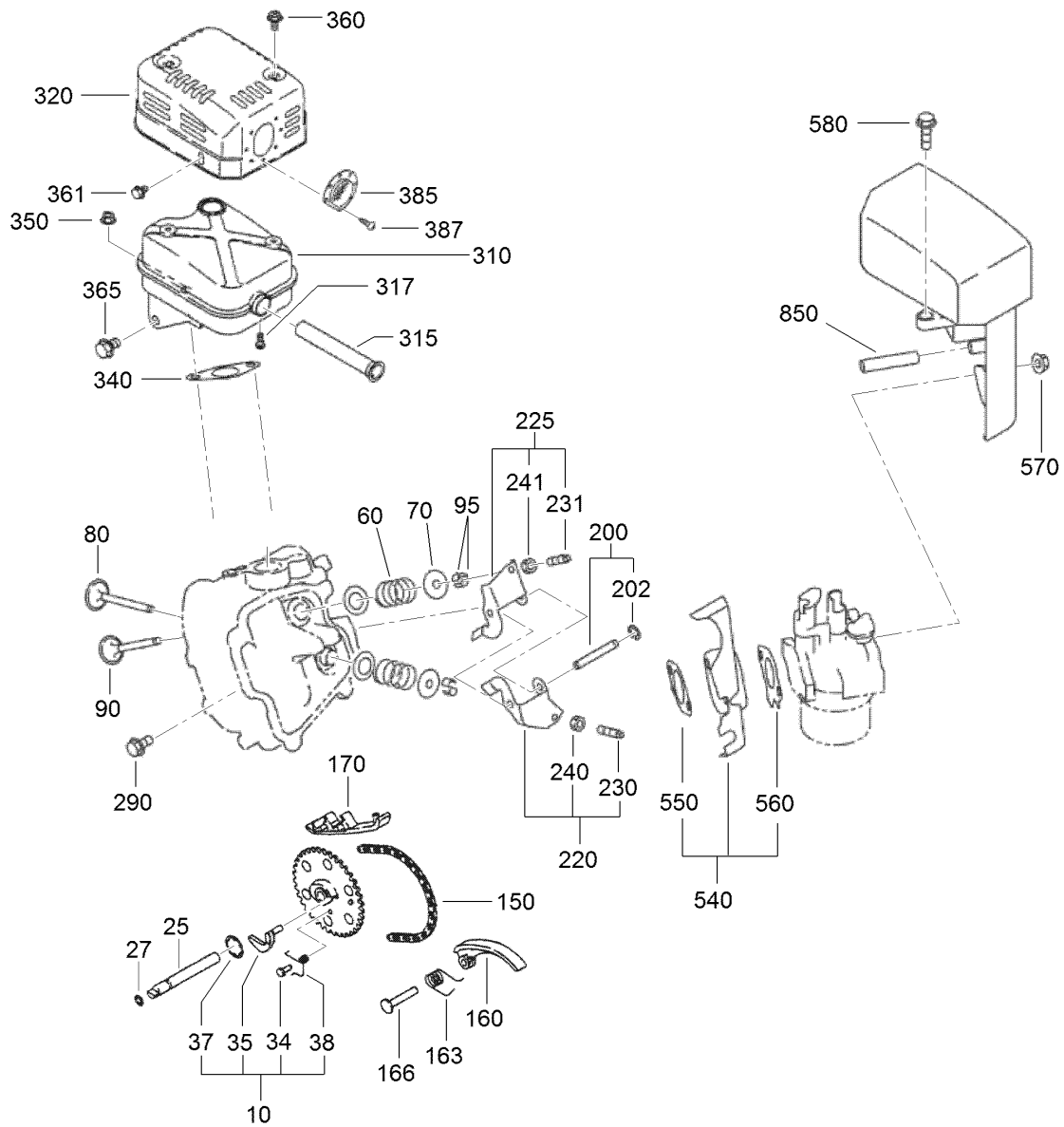
## Crankshaft and Piston Assembly

Ref.	Part Number	Qty.	Description
10	121-0586	1	Crankshaft ASM
50	121-0529	1	Nut-Flange
70	121-0537	1	Key-Woodruff
310	121-0587	1	Connecting Rod ASM
310	121-0588	1	Connecting Rod ASM (Undersize)
320	121-0612	2	Bolt-Rod, Connecting
350	121-0589	1	Pin-Piston
360	121-6353	1	Piston (Oversize 0.50 Mm)
360	121-0590	1	Piston (STD)
360	121-0591	1	Piston (Oversize 0.250 Mm)
370	121-0592	1	Piston Ring Set (STD)
370	121-0593	1	Piston Ring Set (Oversize 0.250 Mm)
370	121-0594	1	Piston Ring Set (Oversize 0.50 Mm)
380	121-0561	2	Clip



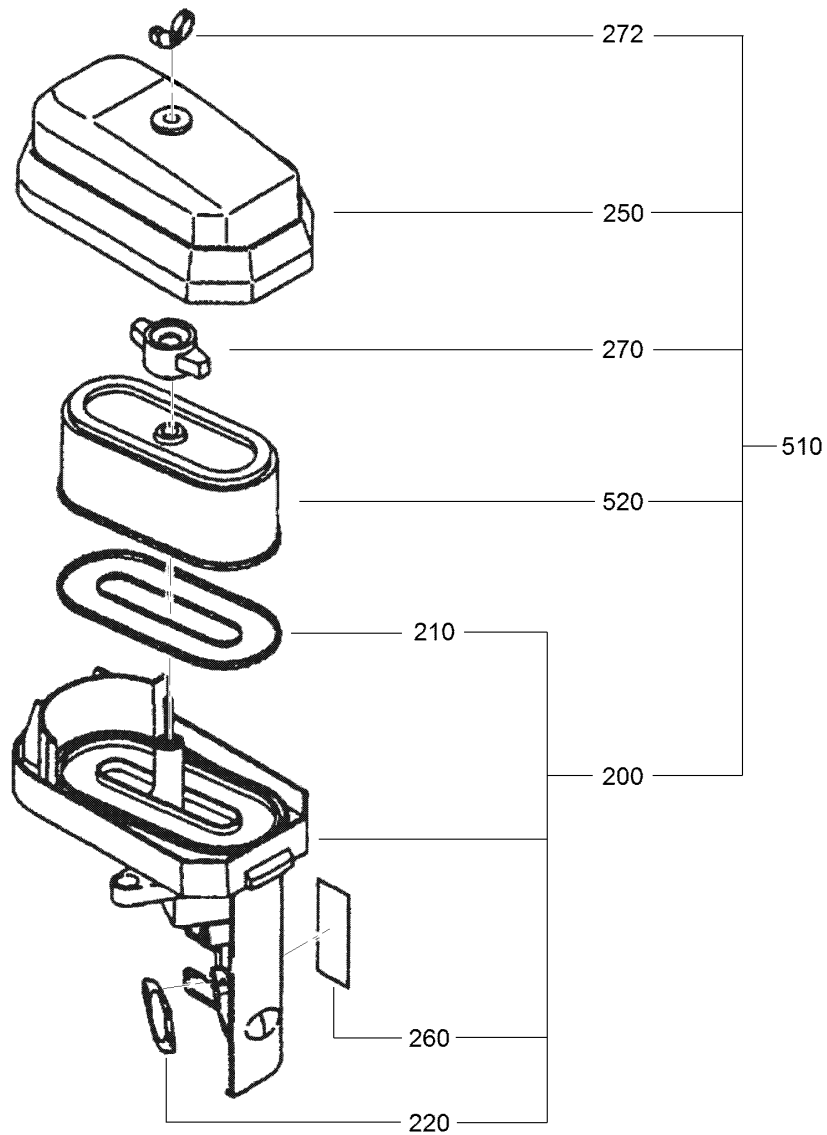
## Intake and Exhaust Assembly

Ref.	Part Number	Qty.	Description	Ref.	Part Number	Qty.	Description
10	121-0613	1	Camshaft ASM	230	121-0524	1	Screw-Adjust
25	121-0625	1	Pin-Camshaft	231	121-0524	1	Screw-Adjust
27	121-0535	1	O-Ring	240	121-0528	1	Nut
34	121-0639	1	Pin-Spring	241	121-0528	1	Nut
35	121-0631	1	Lever-Release	290	121-0514	1	Bolt-Flange
37	121-0632	1	Clip	310	121-0595	1	Muffler ASM
38	121-0640	1	Spring-Return	315	121-0638	1	Arrestor-Spark
60	121-0673	2	Spring-Valve	317	121-0525	1	Screw-Tapping
70	121-0579	2	Retainer-Spring	320	121-0598	1	Muffler Cover ASM
80	121-0596	1	Valve-Intake	340	121-0626	1	Gasket-Muffler
90	121-0597	1	Valve-Exhaust	350	121-6376	2	Nut-Flange
95	121-0555	4	Collet-Valve	360	121-0527	2	Bolt-Flange
150	121-0599	1	Timing Chain ASM	361	121-0513	1	Bolt-Flange
160	121-0634	1	Tensioner	365	121-0521	1	Bolt-Flange
163	121-0637	1	Spring-Tensioner	385	121-6354	1	Screen-Complete
166	121-0633	1	Pin-Tensioner	387	121-0525	2	Screw-Tapping
170	121-0635	1	Guide-Chain	540	121-0623	1	Insulator ASM
200	121-0624	1	Rocker Pin ASM	550	121-0628	1	Gasket-Insulator No.2
202	121-0507	1	Clip	560	121-0627	1	Gasket-Insulator No.1
220	121-0629	1	Intake Rocker Arm ASM	570	121-0506	2	Nut-Flange
225	121-0630	1	Exhaust Rocker Arm ASM				



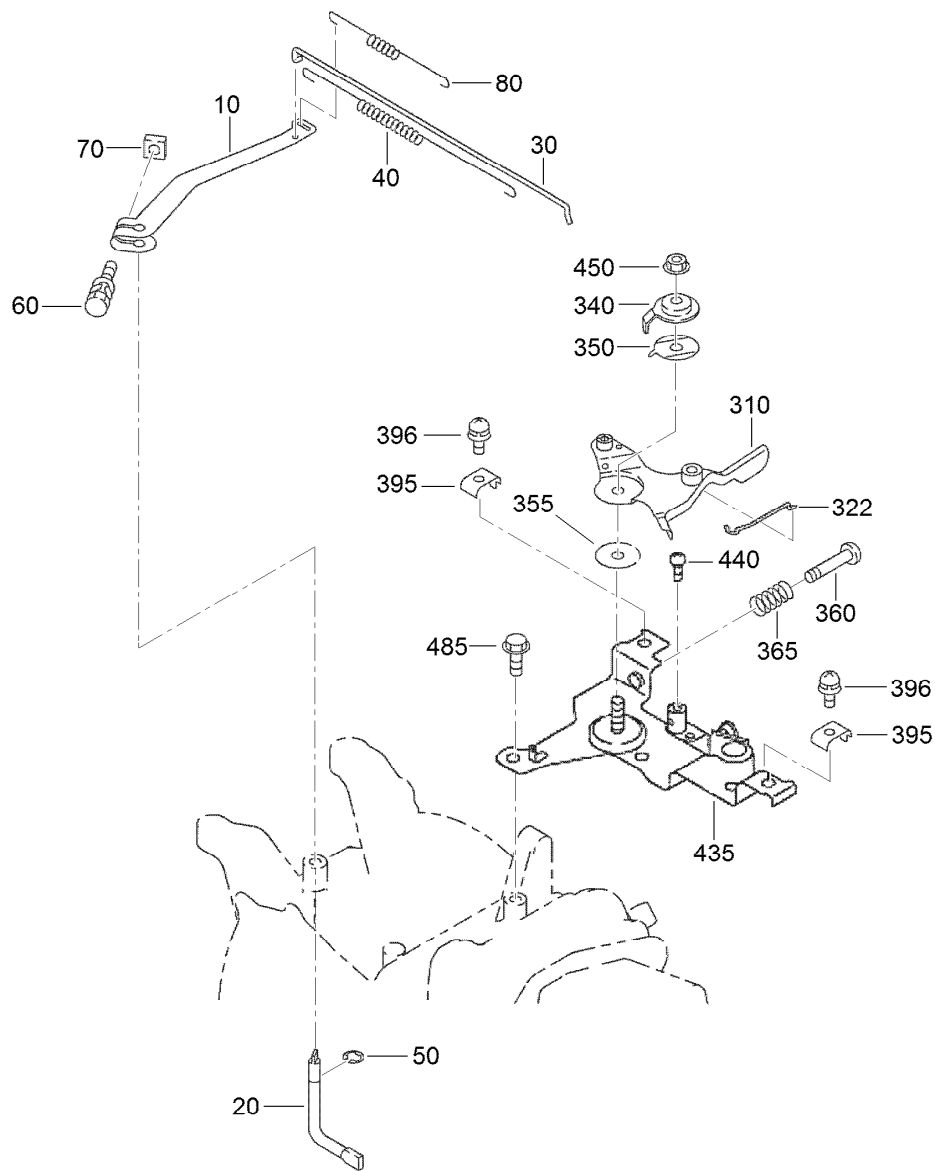
## Intake and Exhaust Assembly (continued)

Ref.	Part Number	Qty.	Description
580	121-0516	1	Bolt-Flange
850	121-6375	1	Pipe-Breather



## Air Cleaner Assembly

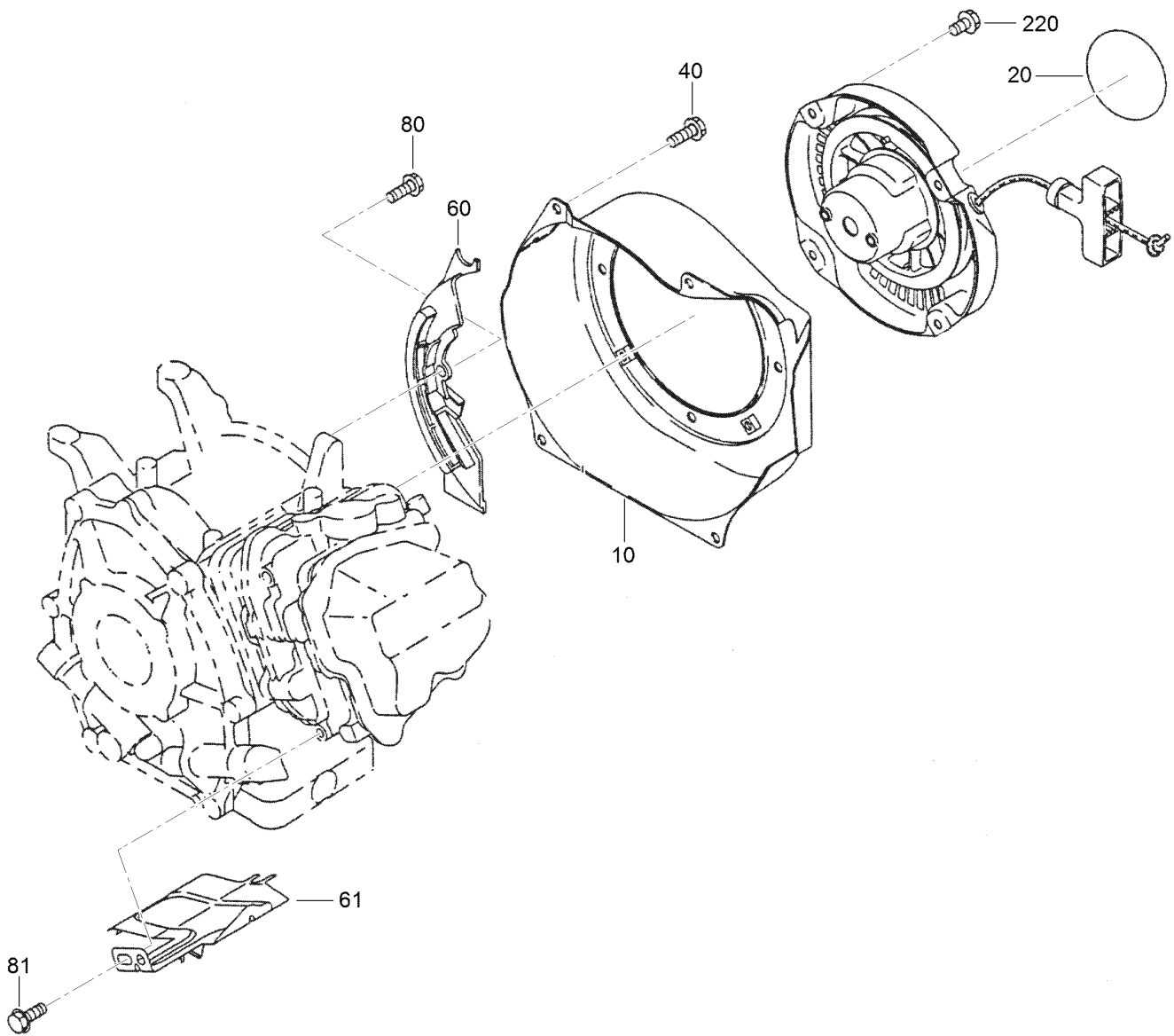
<i>Ref.</i>	<i>Part Number</i>	<i>Qty.</i>	<i>Description</i>
200	121-0620	1	Base ASM
210	121-0617	1	Packing
220	121-0614	1	Packing
250	121-0621	1	Cover ASM
260	121-0616	1	Label
270	121-0622	1	Nut-Wing
272	121-0615	1	Nut-Wing
510	121-0619	1	Air Cleaner ASM
520	121-0618	1	Set-Element



## Governor Assembly

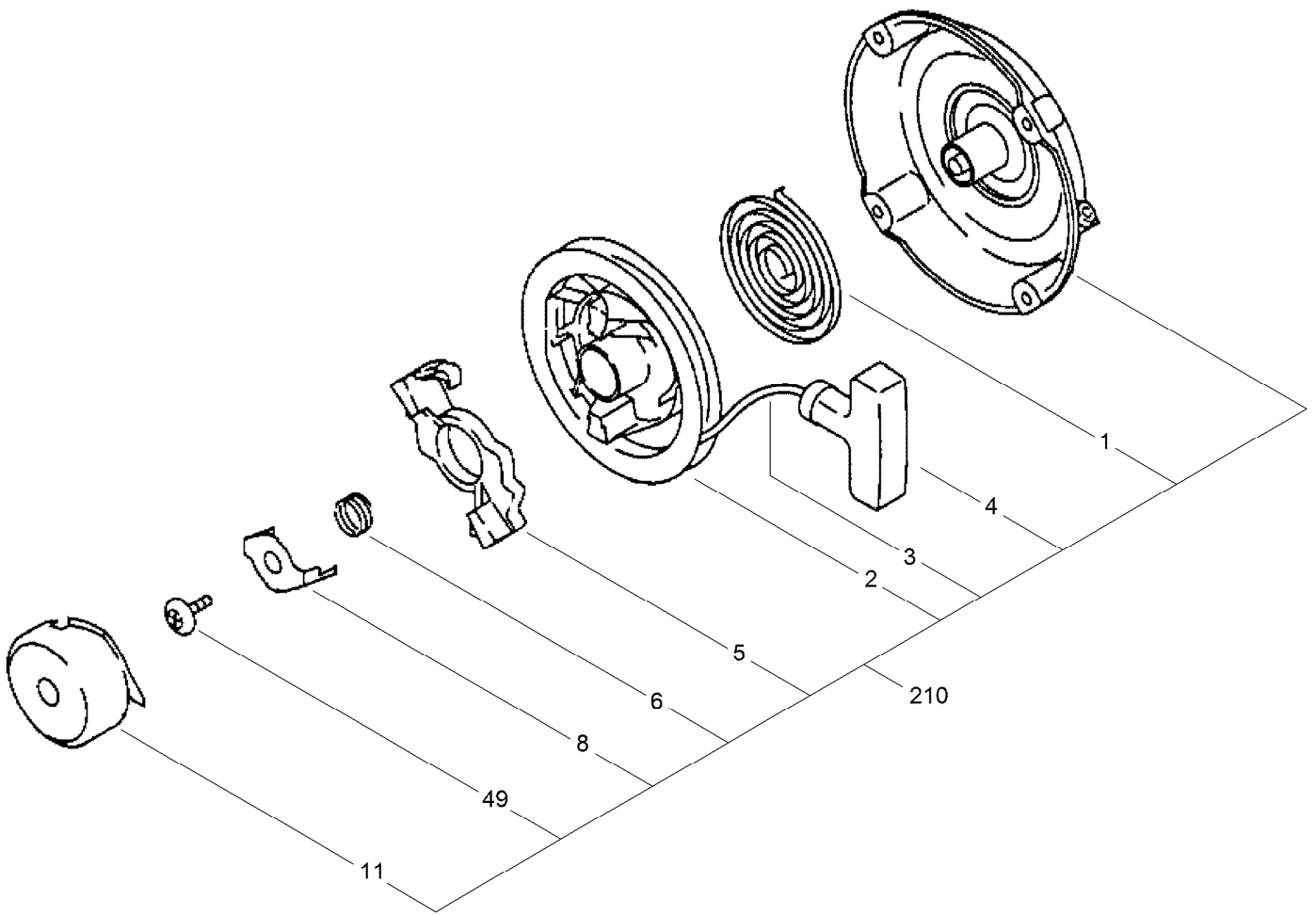
<i>Ref.</i>	<i>Part Number</i>	<i>Qty.</i>	<i>Description</i>	<i>Ref.</i>	<i>Part Number</i>	<i>Qty.</i>	<i>Description</i>
10	121-0643	1	Lever-Governor	350	121-0651	1	Washer
20	121-0642	1	Shaft-Governor	355	121-0534	1	Washer-Friction
30	121-0674	1	Governor Rod ASM	360	121-0509	1	Screw
40	121-0645	1	Spring-Rod	365	121-0572	1	Spring-Adjust
50	121-0507	1	Clip	395	121-0650	2	Clamp
60	121-0522	1	Bolt And Washer ASM	396	121-0523	2	Screw And Washer ASM
70	121-0530	1	Nut	435	121-0654	1	Speed Control Bracket ASM
80	121-0644	1	Spring-Governor	440	121-0508	1	Screw
310	121-0646	1	Speed Control Lever ASM	450	121-0505	1	Nut-Self Lock
322	121-0648	1	Link Rod ASM	485	121-0514	2	Bolt-Flange
340	121-0647	1	Plate-Stop				





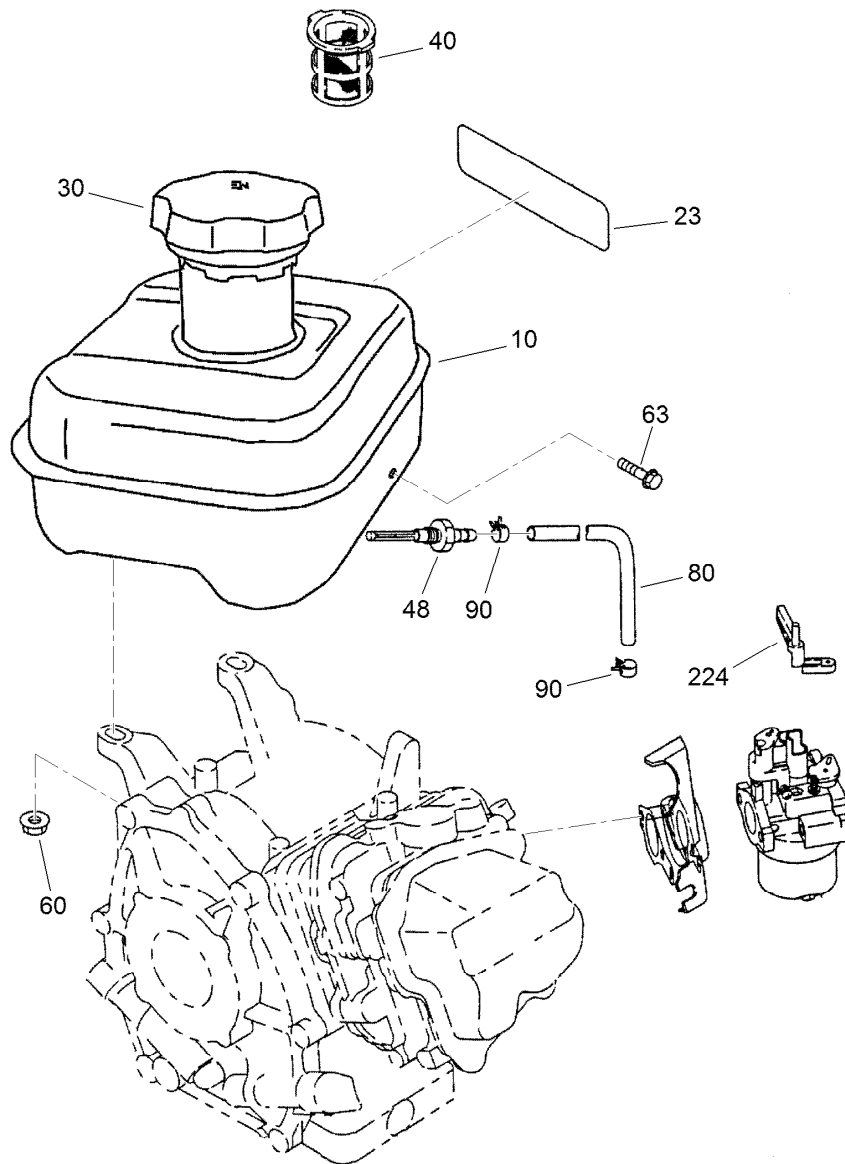
## Recoil and Shroud Assembly

Ref.	Part Number	Qty.	Description
10	121-0600	1	Blower Housing ASM
20	121-0550	1	Label-Trademark
40	121-0515	4	Bolt-Flange
60	121-0656	1	Case Baffle No.1 ASM
61	121-0655	1	Case Baffle No.2 ASM
80	121-0500	1	Bolt-Flange
81	121-0514	1	Bolt-Flange
220	121-6377	4	Bolt And Washer ASM



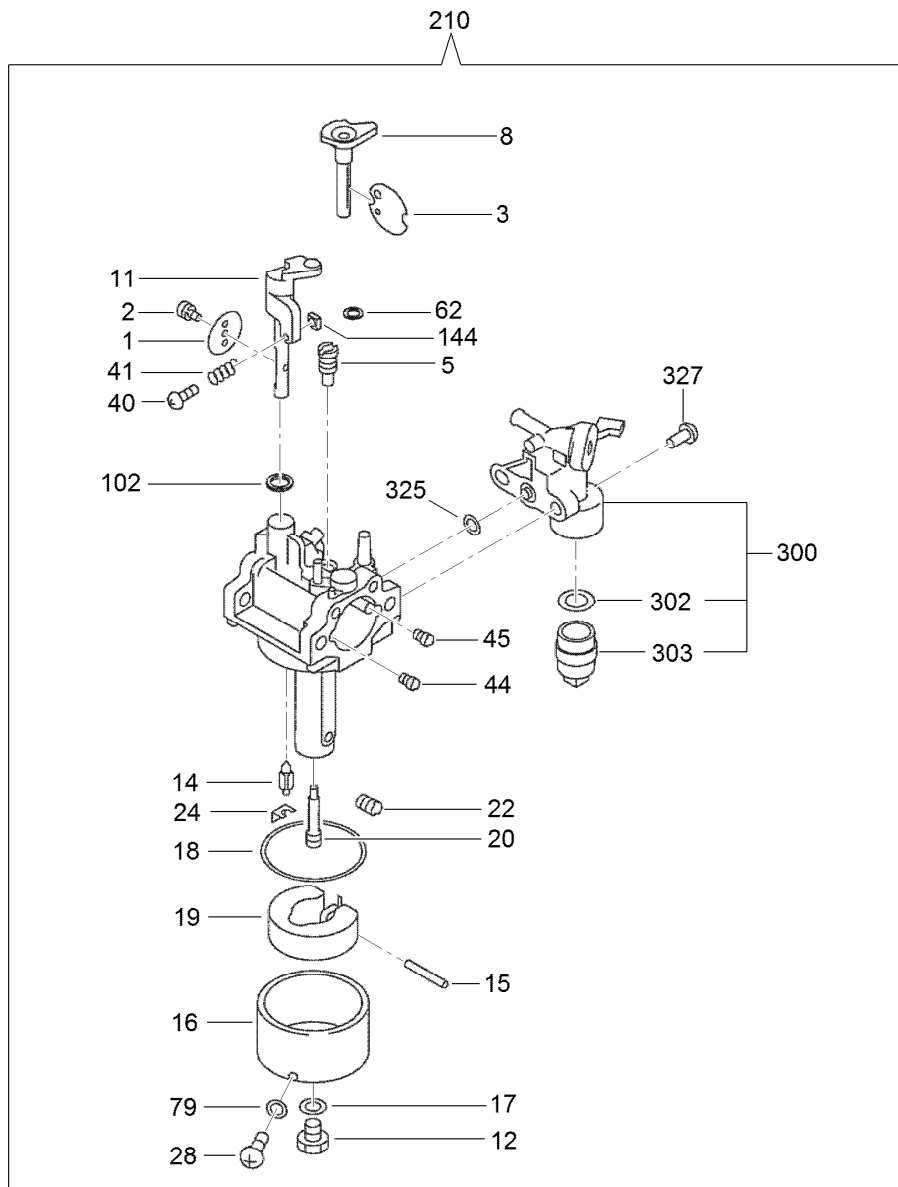
## Recoil Assembly

<i>Ref.</i>	<i>Part Number</i>	<i>Qty.</i>	<i>Description</i>
1	121-6356	1	Spring-Spiral
2	121-6357	1	Reel
3	121-0676	1	Starter Rope
4	121-6358	1	Handle-Starter
5	121-6359	1	Ratchet
6	121-6360	1	Spring-Friction
8	121-6361	1	Plate-Friction
11	121-6362	1	Pulley-Starter
49	121-6363	1	Screw-Center
210	121-6355	1	Recoil Starter ASM



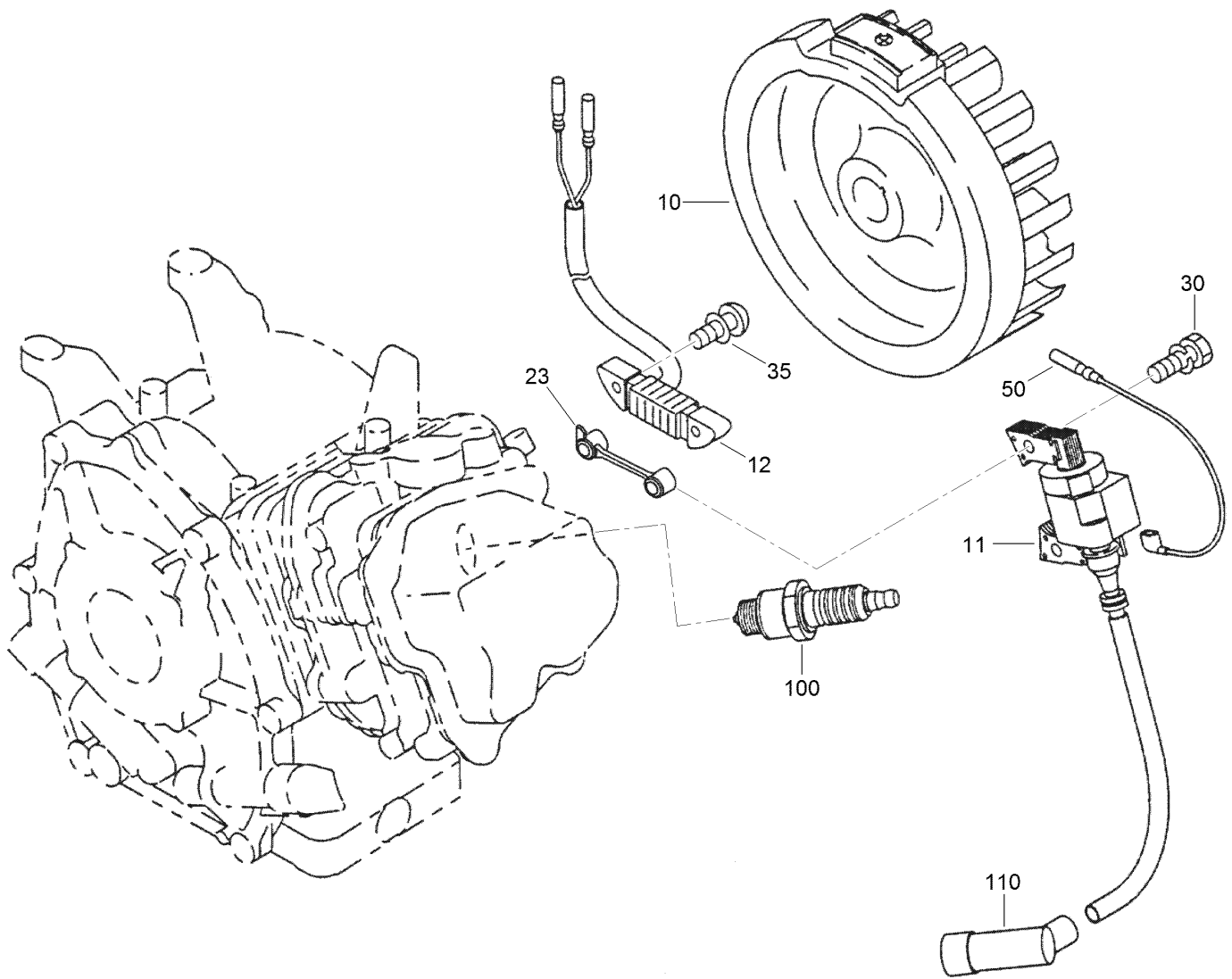
## Fuel Tank Assembly

Ref.	Part Number	Qty.	Description
10	125-5241	1	Tank-Fuel
23	121-0605	1	Label-Model
30	121-0684	1	Fuel Tank Cap ASM
40	121-0685	1	Filter-Fuel
48	121-0542	1	Union
60	121-0506	2	Nut-Flange
63	121-0517	1	Bolt-Flange
80	121-6378	1	Pipe-Rubber
90	121-0543	2	Clamp-Hose
224	121-0649	1	Lever-Control, Choke



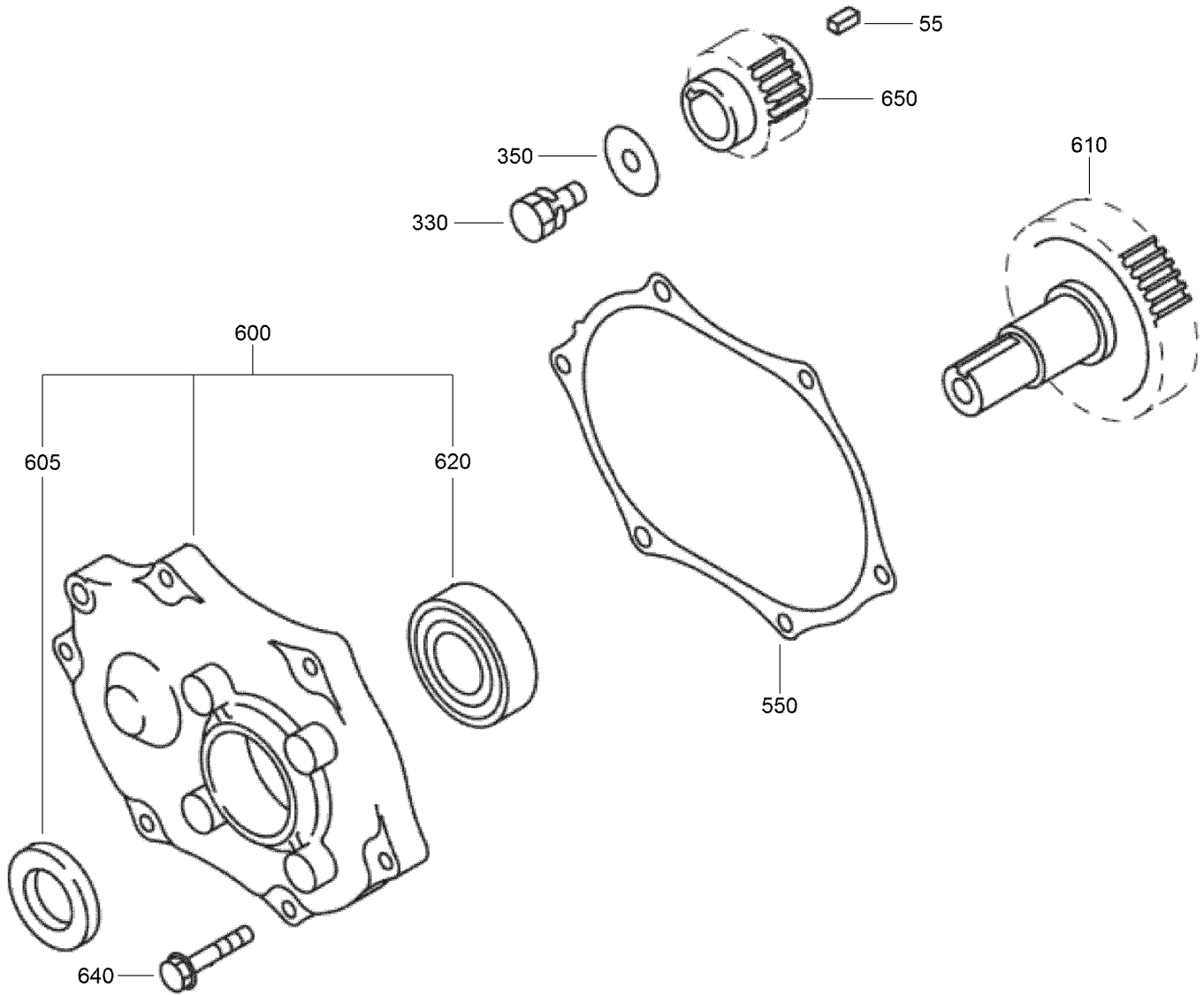
## Carburetor Assembly

<i>Ref.</i>	<i>Part Number</i>	<i>Qty.</i>	<i>Description</i>	<i>Ref.</i>	<i>Part Number</i>	<i>Qty.</i>	<i>Description</i>
1	121-0553	1	Valve-Throttle	28	121-0567	1	Bolt
2	121-0558	1	Screw	40	121-0554	1	Screw
3	121-0662	1	Valve-Choke	41	121-0677	1	Spring
5	121-0574	1	Jet-Pilot	44	121-0557	1	Jet-Air
8	121-0661	1	Lever-Choke	45	121-0552	1	Jet-Air, Pilot
11	121-0602	1	Throttle Shaft ASM	62	121-0570	1	Seal
12	121-0568	1	Bolt	79	121-0569	1	Packing
14	121-6366	1	Needle	102	121-0573	1	Seal
15	121-0660	1	Pin	144	121-0664	1	Nut
16	121-0659	1	Float Body ASM	210	121-6365	1	Carburetor ASM
17	121-0559	1	Packing	300	121-0675	1	Fuel Strainer ASM
18	121-0560	1	Packing-Chamber	302	121-0658	1	Packing
19	121-0562	1	Float	303	121-0657	1	Cup
20	121-0601	1	Nozzle-Main	325	121-0663	1	O-Ring
22	121-0575	1	Jet-Main	327	121-0556	2	Screw
24	121-0563	1	Clip				



## Flywheel and Coil Assembly

Ref.	Part Number	Qty.	Description
10	121-0604	1	Flywheel ASM
11	121-0668	1	Ignition Coil ASM
12	121-6368	1	Lamp Coil ASM
23	121-0669	1	Spacer
30	121-0504	2	Bolt And Washer ASM
35	121-6369	2	Bolt And Washer ASM
50	121-6370	1	Wire-Coil
100	121-0547	1	Plug-Spark
110	121-0548	1	Cap-Spark Plug



## Gear Reduction Assembly

<i>Ref.</i>	<i>Part Number</i>	<i>Qty.</i>	<i>Description</i>
55	121-0536	1	Key
330	121-0501	1	Bolt-Flange
350	121-0531	1	Washer
550	121-0671	1	Gasket-Cover, Reduction
600	121-0670	1	Reduction Cover ASM
605	121-0541	1	Seal-Oil
610	121-6372	1	Shaft-Driving
620	121-0545	1	Bearing-Ball
640	121-0518	6	Bolt-Flange
650	121-6373	1	Shaft-Driven

# Attachments and Accessories

## For 04055 Greensmaster 1000 Mower

<b>Product Name</b>	<b>Model/Part</b>
Dethatcher Kit- Dynablade.....	04109
Wheel Kit .....	04123
Groomer Drive System .....	04134
Trans Pro 80 Tow-Behind Trailer.....	04238
Trans Pro 100 Tow-Behind Trailer.....	04240
Flat Ramp .....	04245
Rail Ramp Kit (Update).....	04247
Rail Ramp Conversion Kit (Update).....	04248
Out-Front Brush Kit.....	04266
21in Soft Grooming Brush.....	04270
21in Stiff Grooming Brush.....	04271
21in Spring Steel Groomer Reel .....	04283
21in Carbide Groomer Reel .....	04284
21in Brush Groomer Reel .....	04285
LED Light Kit, 2012 and After Greensmaster 800, 1000 and 1600 Series Mower .....	04294
LED Light and Wireless Hour Meter Harness Kit, 2012 and After Greensmaster 800, 1000, 1010, 1600, 1610, or Flex Greensmaster 1800, 1820, 2100, or 2120 Series Mower .....	04295
Turf Evaluator .....	04399
21in Thin Blade Groomer Reel .....	04741
Full Roller ASM (21in).....	104-2642
Brush-Groomer.....	105-9640
Roller Rebuild Kit.....	107-1588
Bedknife-Tournament, Extended .....	108-4302
Bedknife-Microcut, Extended.....	108-4303
Blade-Groomer, Helix .....	110-2333
Bedknife-Edgemax (21in Fairway).....	112-7475
Bedbar-Aggressive .....	112-9279-03
Bedbar-Standard .....	112-9281-01
Operator Presence Kit .....	112-9282
Smooth Scraper Kit.....	112-9285
Scraper Brush Kit.....	112-9286
Comb Scraper Kit .....	112-9287
Wide Wiehle Scraper Kit.....	112-9288
Narrow Wiehle Scraper Kit.....	112-9289
Bedknife-Edgemax, Microcut.....	115-1880
Bedknife-Edgemax, Tournament Cut.....	115-1881
16-Tooth Traction Pulley Kit .....	115-1886
Hourmeter-Wireless.....	115-4754
High Altitude Jet-Subaru.....	117-0073
14 Blade Reel ASM .....	117-1449
Spark Plug .....	121-0547
Element Set .....	121-0618
Filter-Fuel .....	121-0685
Premium Engine Oil 10w30 (55 Gal).....	121-6392
Premium Engine Oil 10w30 (5 Gallon Pail) .....	121-6393
Blade-Groomer, Thin (Carbide) .....	121-9531

## Attachments and Accessories (continued)

Forward-Rotating Kit.....	125-3451
Toro Reel Paper (10 Pack).....	125-5610
Toro Reel Shim (0.002in) .....	125-5611
21in Soft Grooming Brush Kit.....	127-1547
21in Stiff Grooming Brush Kit.....	127-1548
11 Blade Reel Asm .....	131-2036
Angle Indicator.....	131-6828
Angle Indicator Mount.....	131-6829
MVP Filter and Spark Plug Kit, 2012 and After Walk-Behind Greensmaster Mower .....	30097
Swaged Roller ASM.....	52-3590
Bedknife-Fairway.....	63-8600
Auxiliary Roller Kit.....	65-8560
.25in Clip Kit.....	65-9000
Cast Iron Wiehle Roller (Qty 1) .....	71-1550
Wiehle Roller ASM (.43in Spacing).....	88-6790
Bedknife-Microcut.....	93-4262
Bedknife-Tournament Cut.....	93-4263
Bedknife-Low Cut .....	93-4264
Wiehle Roller ASM (2.5in Dia) .....	93-9045
Bedknife-Highcut .....	94-6392
Height-of-Cut Bar.....	94-9010
Wiehle Roller Asm (.20in Spacing) .....	99-6241



**Notes:**

**Notes:**

**Notes:**



**Count on it.**