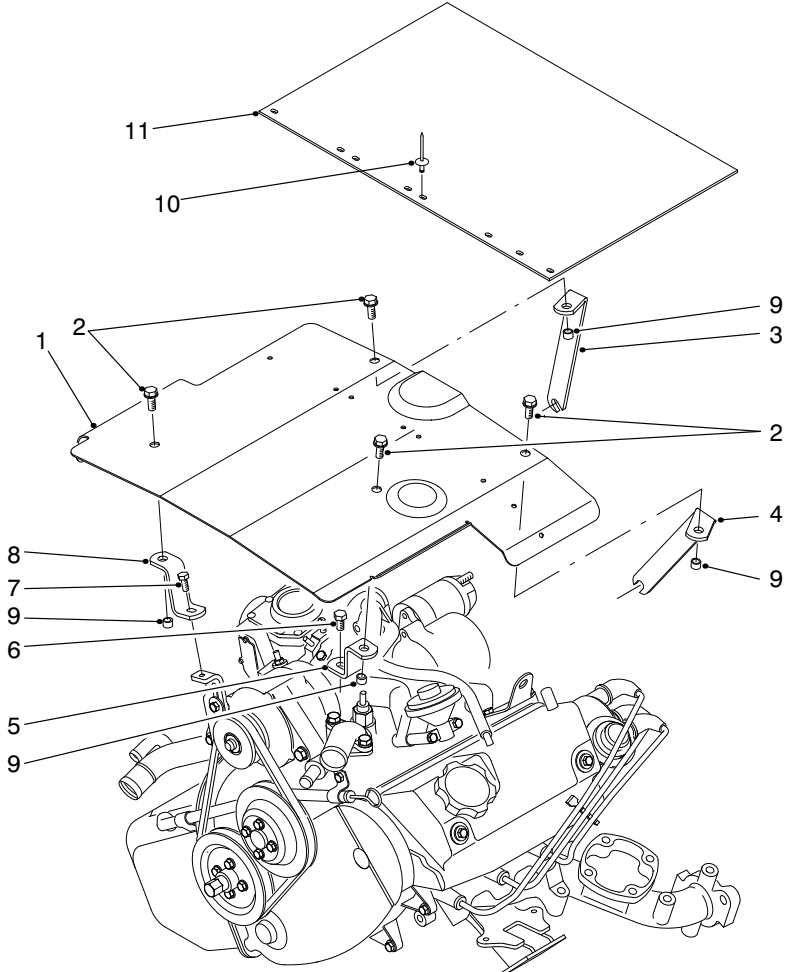




PART NO. 99-1214	<b>PARTS CATALOG</b>
<b>ENGINE COVER KIT FOR WORKMAN® 3200</b>	



T-3184

**ENGINE COVER ASM**

Ref. No.	Part No.	Description	No. Used
1	92-1345	Cover-Engine	1
2	3234-5	Screw-HFH	4
3	93-8956	Asm-Rear Brace RH (Incl. Ref. #9)	1
4	93-8955	Asm-Rear Brace LH (Incl. Ref. #9)	1
5	93-8953	Asm-Front Brace LH (Incl. Ref. #9)	1

Ref. No.	Part No.	Description	No. Used
6	48-7620	Screw-HH	1
7	42-9230	Screw-HH	1
8	93-8954	Asm-Front Brace RH (Incl. Ref. #9)	1
9	32148-8	Insert-Threaded	4
10	146489	Rivet	8
11	99-1212	Cover-Rubber, Engine,	1