

Bagging Enhancement Kit

42in Mowers for Zero-Turn-Radius Riding Mower

Model No. 137-7048

Installation Instructions

Installation

Loose Parts

Use the chart below to verify that all parts have been shipped.

Procedure	Description	Qty.	Use
1	No parts required	–	Remove the existing bolts.
2	Front baffle Right baffle Left baffle Carriage bolt (1/4 x 3/4 inches) Locknut (1/4 inch)	1 1 1 18 18	Install the baffles.

1

Removing the Existing Bolts

No Parts Required

Procedure

1. Park the machine on a level surface, shut off the engine, engage the parking brake, and remove the key.
2. Remove the existing nuts and bolts from the ends of the existing baffles as shown in [Figure 1](#).

Note: Retain the hardware for use if you remove this kit.

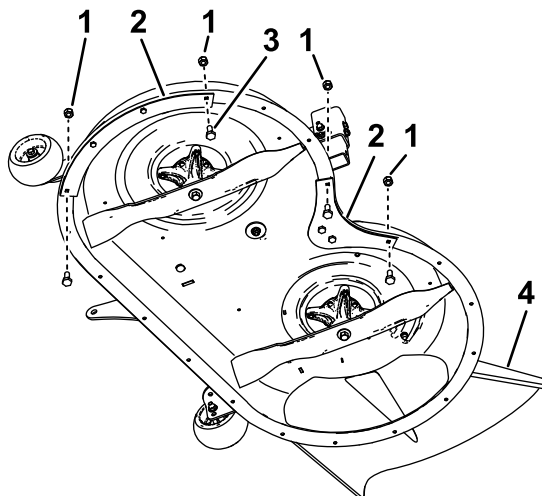


Figure 1

g234783

- | | |
|--------------------|-------------------------|
| 1. Existing nut | 3. Existing bolt |
| 2. Existing baffle | 4. Side discharge chute |



2

Installing the Baffles

Parts needed for this procedure:

1	Front baffle
1	Right baffle
1	Left baffle
18	Carriage bolt (1/4 x 3/4 inches)
18	Locknut (1/4 inch)

Procedure

Using the existing holes, install the front, right, and left baffles to the mower deck with 18 carriage bolts (1/4 x 3/4 inches) and 18 locknuts (1/4 inch) (Figure 2).

Note: The baffles will overlap each other.

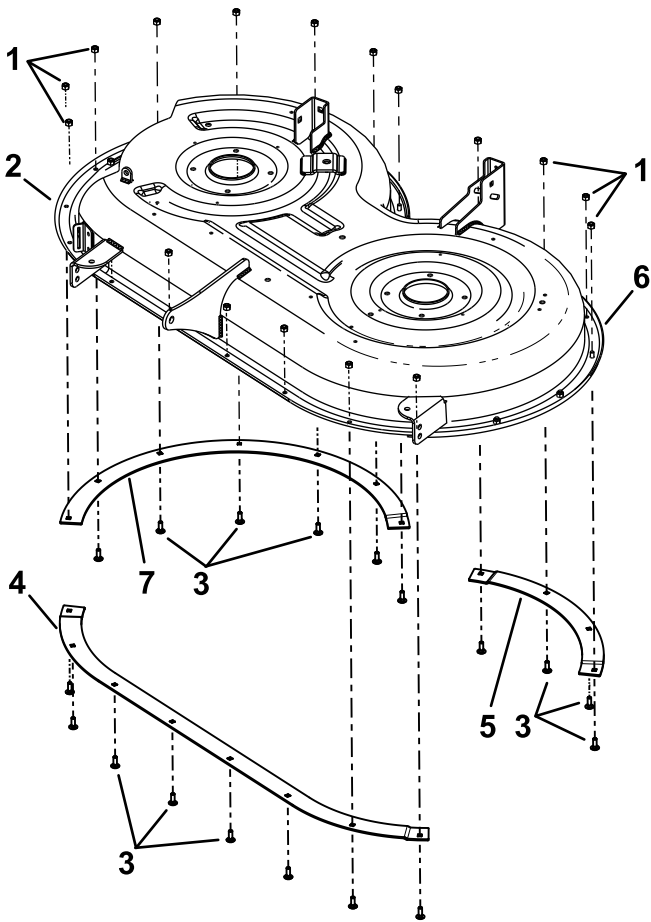


Figure 2

- 1. Locknut (1/4 inch)
- 2. Right side
- 3. Carriage bolt (1/4 x 3/4 inches)
- 4. Front baffle
- 5. Left baffle
- 6. Left side
- 7. Right baffle

g234782