

# Extended Control Levers Kit

## Riding Mower

Model No. 138-6020

### Installation Instructions

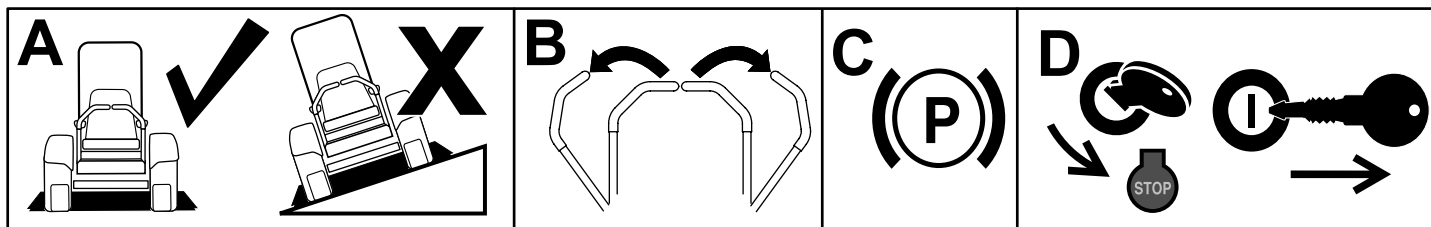
## Loose Parts

Use the chart below to verify that all parts have been shipped.

Description	Qty.	Use
No parts required	–	Prepare the machine.
Right control lever assembly Left control lever assembly	1 1	Install the extended control levers.
No parts required	–	Adjust the control lever position.

## Preparing the Machine

1. Park the machine on a level surface.
2. Move the motion-control levers to the NEUTRAL-LOCK position.
3. Engage the parking brake.
4. Shut off the engine and remove the key.



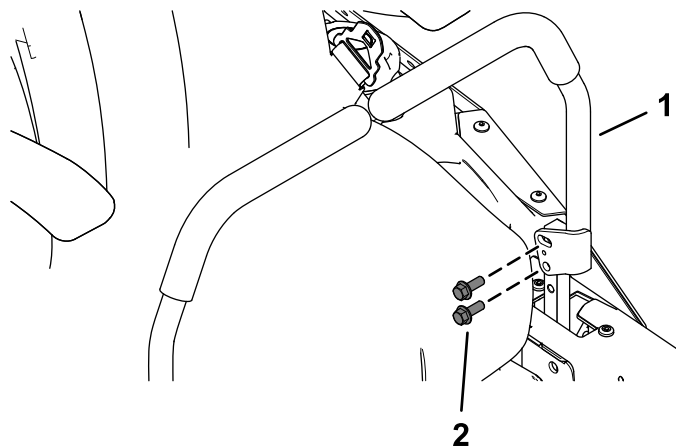
g037289  
g037289

Figure 1

## Installing the Extended Control Levers

1. Remove the existing 2 bolts from each control lever (Figure 2).

**Note:** Retain the fasteners.



g248240

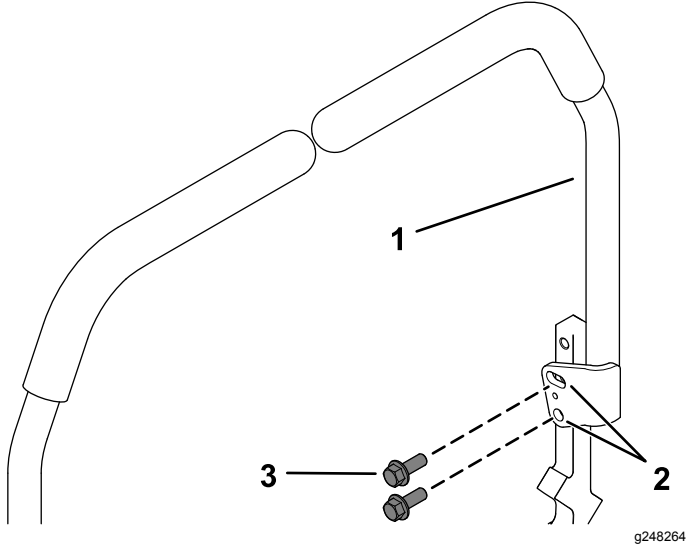
Figure 2

1. Existing control lever      2. Existing bolt

2. Remove the existing control levers (Figure 2).



3. Loosely install each extended control lever using the previously removed 2 bolts.
  - To increase the lever height by 2.5 cm (1 inch), install the 2 bolts into the lower set of holes (Figure 3).

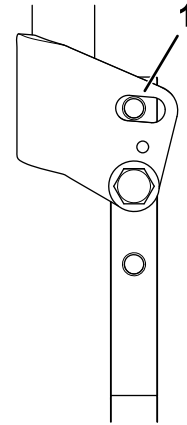


**Figure 3**

1. Extended control lever
2. Lower set of holes
3. Bolt

## Adjusting the Control Lever Position

1. Move the control lever forward or rearward to the desired position in the slotted hole (Figure 5).



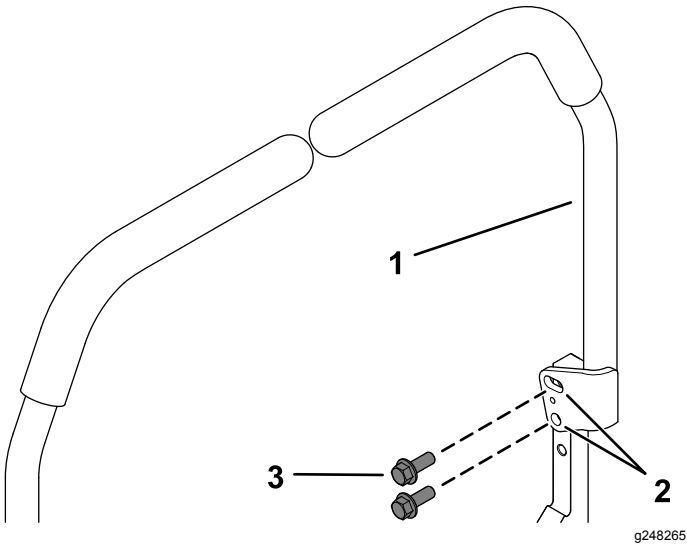
**Figure 5**

g248266

1. Slotted hole

- 
2. Torque the bolts to 41 N·m (30 ft-lb).

- To increase the lever height by 5.7 cm (2-1/4 inches), install the 2 bolts into the upper set of holes (Figure 4).



**Figure 4**

1. Extended control lever
2. Upper set of holes
3. Bolt