



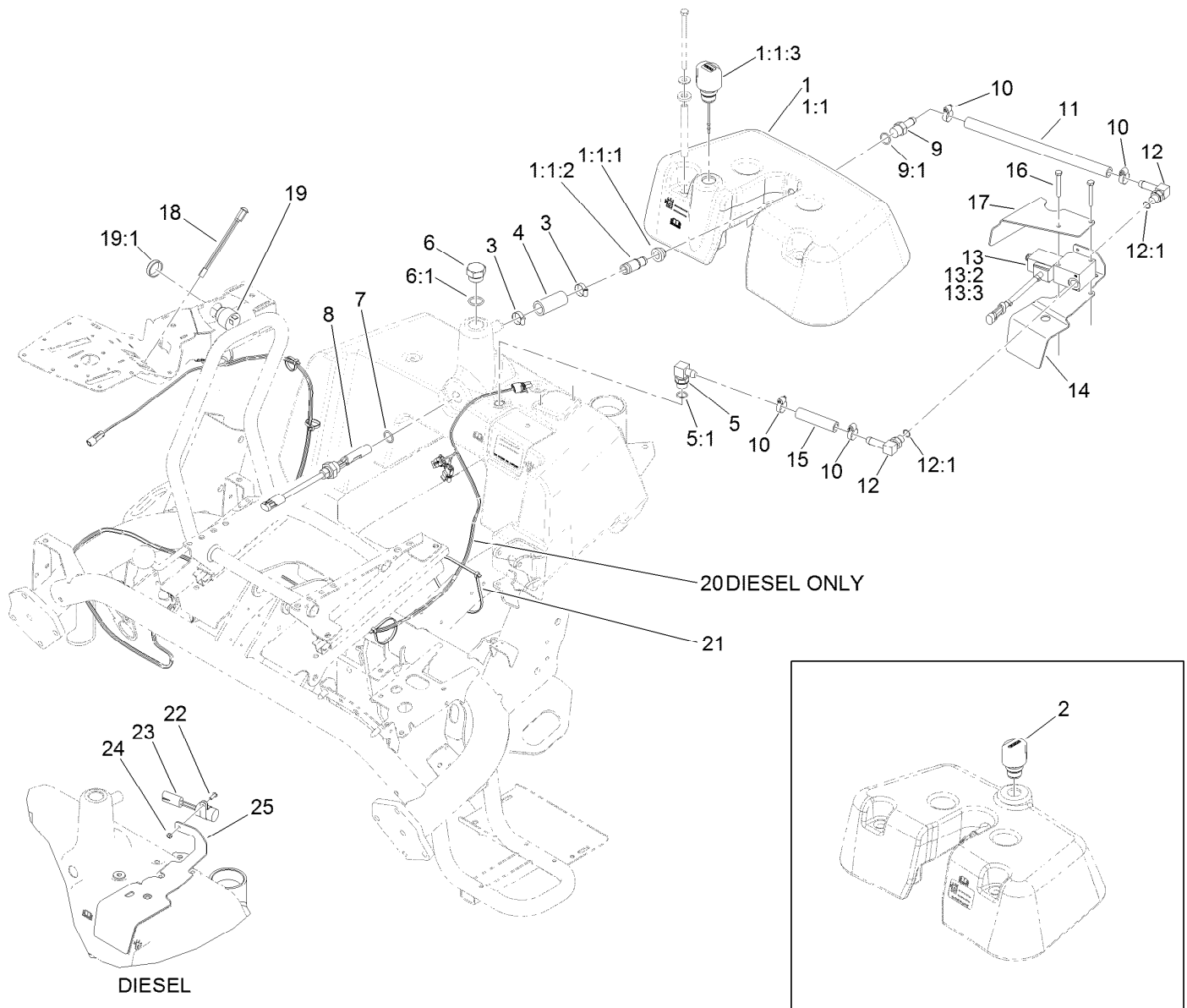
Count on it.

Parts Catalog

**Hydraulic Oil Leak Detector Kit
Greensmaster® 3300/3400 Series TriFlex®
Traction Unit**

Model No. 04730





Hydraulic Oil Leak Detector Assembly

Ref.	Part Number	Qty.	Description	Ref.	Part Number	Qty.	Description
1	136-8545	1	Leak Detector Tank Kit	12	354-120	2	Fitting-Elbow, 90
1:1	136-8535	1	Leak Detector Tank ASM	12:1	237-79	1	O-Ring
1:1:1	136-8531	1	Grommet	13	83-1460	1	Solenoid Valve ASM
1:1:2	136-8532	1	Spout	13:2	83-2000	1	Spool-Valve
1:1:3	136-8536	1	Breather (With Dipstick)	13:3	83-2010	1	Coil ASM
2	115-9793	1	Breather	14	121-5175-03	1	Cover-Level, Oil
3	2412-141	2	Clamp-Drive, Worm	15	83-2080	1	Hose-Valve, Tank
4	110-3998	1	Hose-Overflow	16	321-11	2	Screw-HH
5	119-9331	1	Fitting-HYD, 90 DEG	17	120-2027-03	1	Bracket-Shield
5:1	237-79	1	O-Ring	18	95-7652	1	Light-Indicator
6	354-74	1	Plug-HH	19	80-9330	1	Audio Alarm ASM
6:1	237-81	1	O-Ring	19:1	104-5107	1	Nut-Plastic, Knurled
7	237-80	1	O-Ring	20	119-1767	1	Harness-Wire
8	83-1450	1	Sensor-Level, Oil	21	3290-379	8	Tie-Cable
9	354-121	1	Fitting-STR	22	3274-39	1	Screw-HSBH
9:1	237-79	1	O-Ring	23	83-2280	1	Timer-Delay
10	2412-36	4	Clamp-Hose	24	3296-12	1	Nut-Lock, NI
11	83-2070	1	Hose-Valve	25	115-9826-03	1	Cover-Level, Oil (Diesel)