



**Count on it.**

**Parts Catalog**

**TimeCutter® SW 4200**

**Riding Mower**

Model No. 74784—Serial No. 316000001 and Up



# Ordering Replacement Parts

To order replacement parts, please supply the part number, the quantity, and the description of each part desired.

## Understanding Reference Numbers

Each identified part in an illustration has a reference number. The reference number for a part also appears in the parts list, along with other information about the part.

This catalog uses two special reference number formats, one to indicate parts in a service assembly and another to indicate the quantity of a given part in an illustration.

## Service Assembly Reference Numbers

Parts in service assemblies have reference numbers in the form a:b. The a represents the reference number of the entire service assembly and the b represents a sequential number unique to each part within the service assembly.

For example, a wheel assembly might be identified by reference number 6, the tire by 6:1, the valve by 6:2, and the wheel by 6:3. When you order the assembly identified by reference number 6, you receive all parts identified by reference numbers 6:1, 6:2, and 6:3. However, you may also order any part individually. Reference numbers of this type appear in illustration and in parts lists.

## Reference Numbers Indicating Quantity

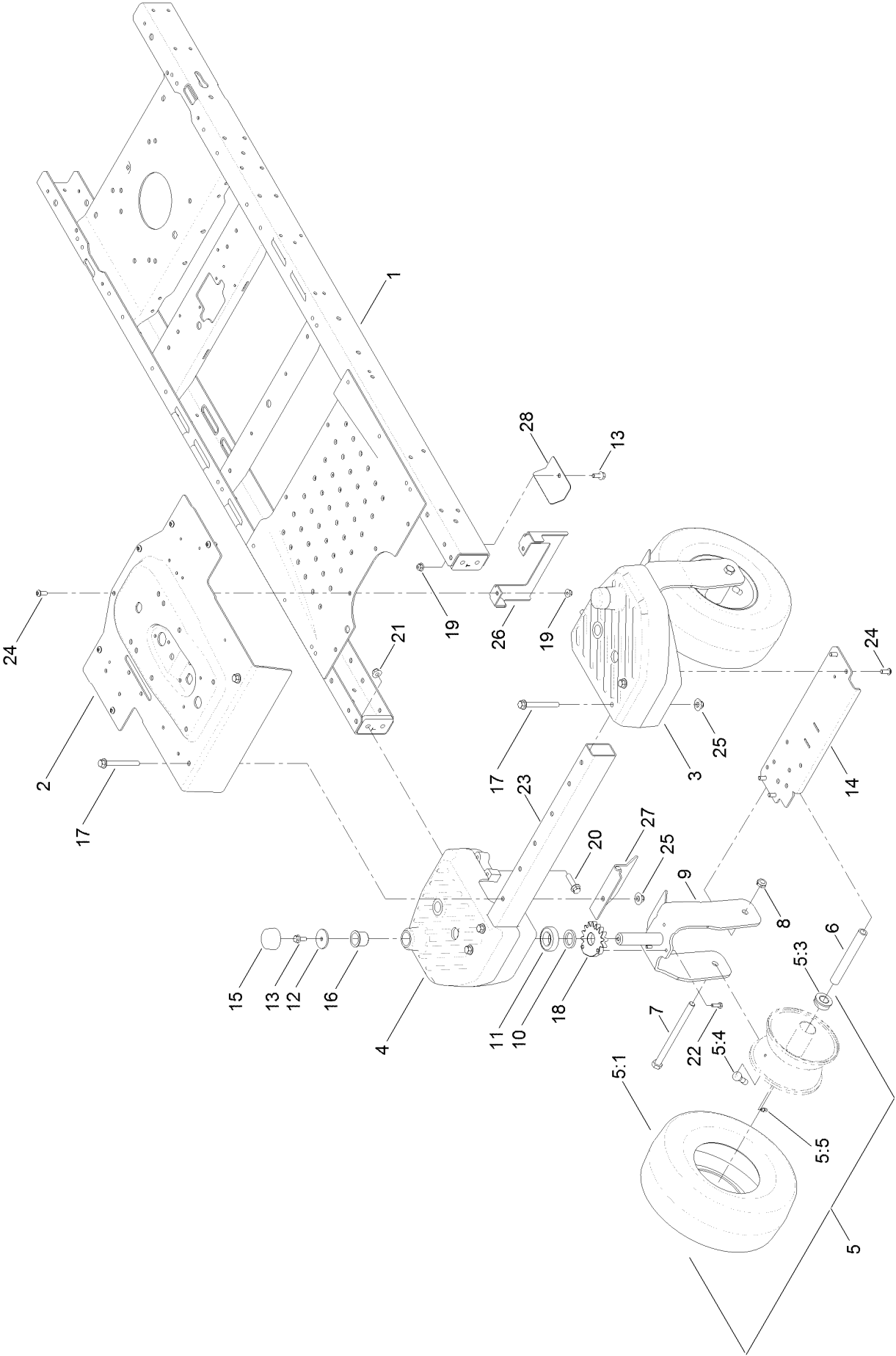
In an illustration, if a reference number indicates more than one part, the reference number has the form nX y. The n represents the quantity of the part, the X is the multiplication symbol, and the y represents the reference number.

For example, in an illustration, the reference number 2X 37 means that two of the parts identified by reference number 37 are indicated.

# Contents

Frame, Front Axle and Caster Wheel Assembly . . . . .	4
Deck Lift Assembly . . . . .	6
Steering Column Assembly . . . . .	8
Speed Control Assembly . . . . .	10
Neutral Return Assembly . . . . .	12
Steering Gear Assembly . . . . .	14
Steering Cable Assembly . . . . .	16
Steering Assembly . . . . .	18
Motion Control Assembly . . . . .	20
Brake Box Assembly . . . . .	22
Seat Assembly . . . . .	24
Belt and Idler Assembly . . . . .	26
Hydro Transaxle Drive and Rear Wheel Assembly . . . . .	28
2 Ply Wheel and Tire Assembly No. 131-3671 . . . . .	30
Right Hand Hydro Transaxle Assembly No. 119-3331 . . . . .	32
Left Hand Hydro Transaxle Assembly No. 119-3330 . . . . .	34
Clutch Assembly . . . . .	36
Engine and Muffler Assembly . . . . .	38
Fuel System Assembly with Non-Canister Style Air Filter . . . . .	40
Carburetor Assembly No. 127-9289 with Non-Canister Style Air Filter . . . . .	42
Air Intake and Filtration Assembly with Non-Canister Style Air Filter . . . . .	44
Ignition and Electrical Assembly . . . . .	46
Crankcase and Crankshaft Assembly . . . . .	48
Governor Control Assembly . . . . .	50
Piston and Cylinder Head Assembly . . . . .	52
Blower Housing Assembly . . . . .	54
Gasket and Seal Kit Assembly . . . . .	56
Body Styling and Fuel Tank Assembly . . . . .	58
Fuel Delivery Assembly . . . . .	60
Battery and Electrical Assembly . . . . .	62
Wire Harness Assembly . . . . .	64
42 Inch Deck Assembly . . . . .	66
42 Inch Deck Decal Assembly No. 131-3604 . . . . .	68
42 Inch Deck, Belt and Blade Assembly . . . . .	70
Attachments and Accessories . . . . .	72

# Frame, Front Axle and Caster Wheel Assembly

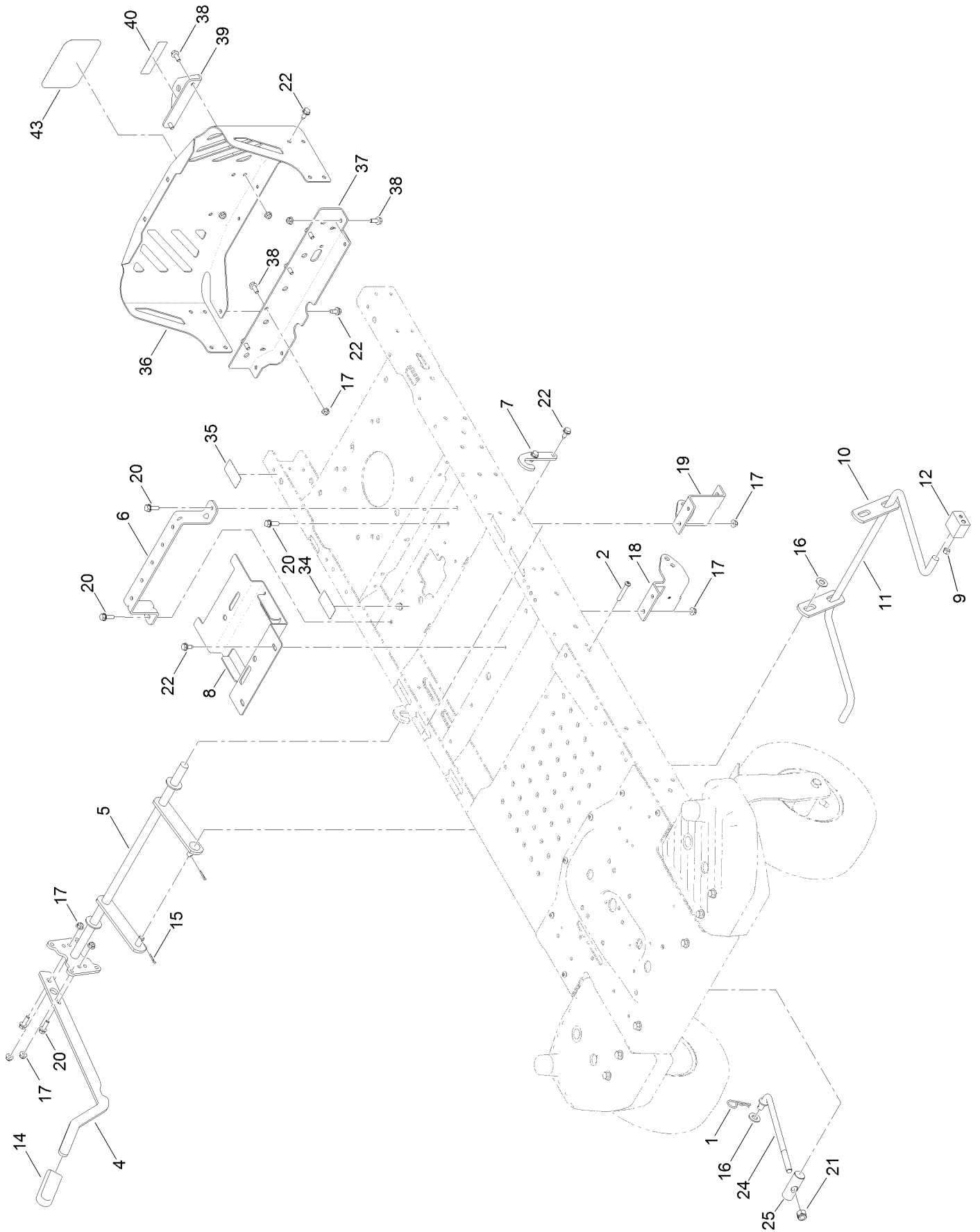


## Frame, Front Axle and Caster Wheel Assembly (continued)

<i>Ref.</i>	<i>Part Number</i>	<i>Qty.</i>	<i>Description</i>	<i>Ref.</i>	<i>Part Number</i>	<i>Qty.</i>	<i>Description</i>
1	130-0804-01	1	Frame ASM	12	131-1032	2	Washer-Flat
2	132-9345-05	1	Pan-Steer, Front	13	3234-47	3	Screw-HHF
3	130-0748-05	1	Housing-Spindle, LH	14	130-6983-03	1	Plate-Bridge, Narrow
4	130-0746-05	1	Housing-Spindle, RH	15	130-7015	2	Cap-Caster
5	119-3473	2	13 Inch Wheel And Tire ASM	16	126-1963	2	Bushing-Pivot
5:1	119-3471	1	Tire-13 Inch	17	115-7660	6	Screw-HHF
5:3	114-1640	2	Bushing-Flange	18	130-0689	2	Gear-Wheel, 15 Tooth
5:4	232-27	1	Stem-Valve	19	104-8300	7	Nut-HF, NI
5:5	302-5	1	Fitting-Grease	20	114-4681	4	Screw-HHF
5:99	232-46	1	Tube-Inner ●	21	104-8301	4	Nut-HF, NI
6	119-3475	2	Spanner	22	321-4	4	Screw-HH
7	325-37	2	Screw-HH	23	130-6902-03	1	Tube-Front, Narrow
8	3296-45	2	Nut-Lock, NI	24	3274-55	10	Screw-HSBH
9	130-0670-03	2	Caster Fork ASM	25	109-6658	6	Nut-Flange, NI
10	117-7394	2	Washer-Thrust	26	132-0941-03	1	Bracket-Upstop
11	109-3678	2	Bearing-Ball	27	132-0868-03	1	Guard-Front
				28	132-0901-03	1	Plate-Guard

● Not illustrated

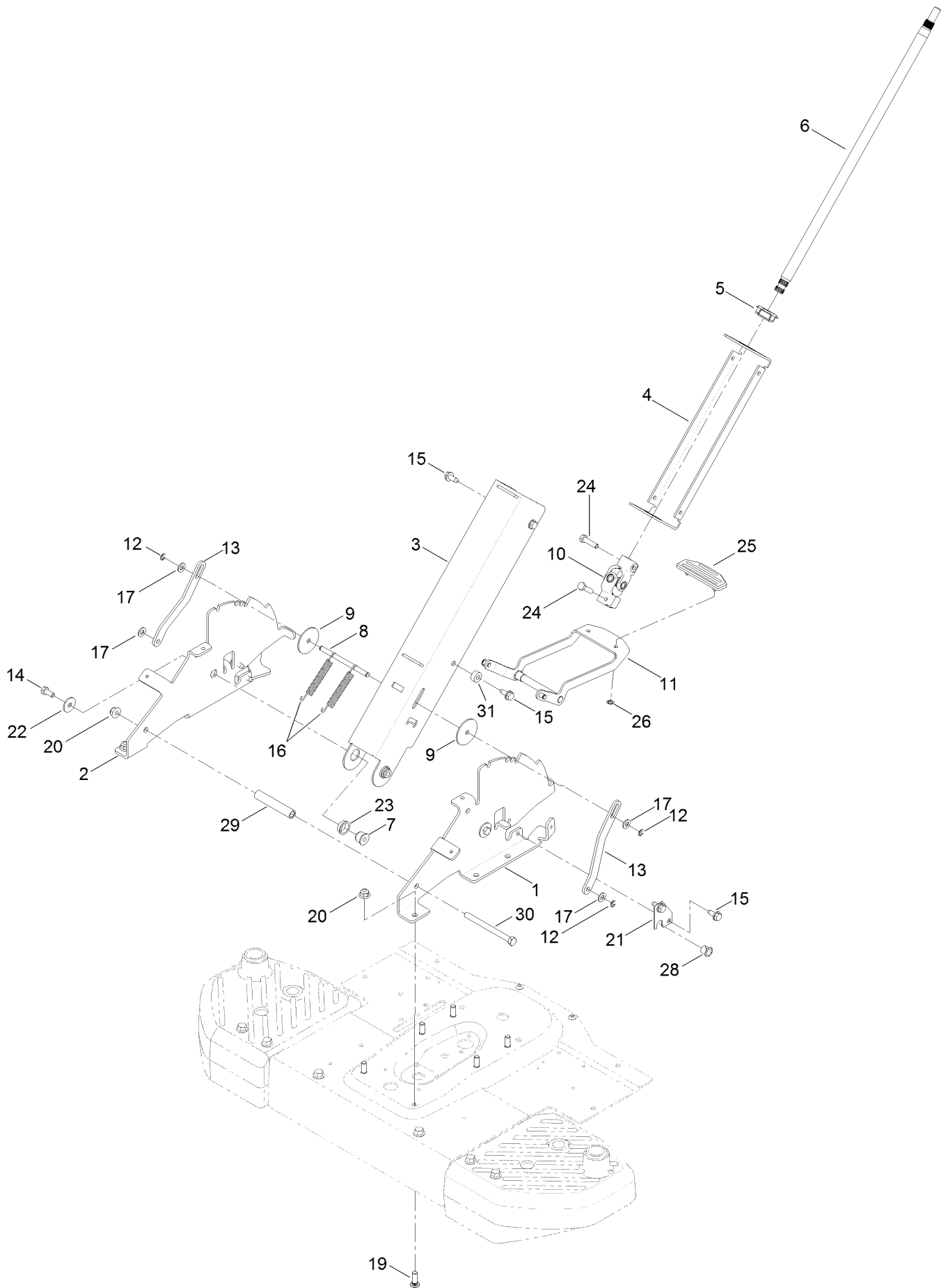
# Deck Lift Assembly



## Deck Lift Assembly (continued)

<i>Ref.</i>	<i>Part Number</i>	<i>Qty.</i>	<i>Description</i>	<i>Ref.</i>	<i>Part Number</i>	<i>Qty.</i>	<i>Description</i>
1	1-806005	1	Pin-Cotter	19	131-0902-01	1	Mount-Hydro, Front (LH)
2	120-5499	2	Screw-HSBH	20	3234-29	6	Screw-HHF
4	119-3427-03	1	Lever-Lift	21	3296-19	1	Nut-Hex
5	132-6872-03	1	Lift-Deck, Narrow	22	32144-70	16	Screw-HWHTF
6	119-3435-03	1	Brace-Seat, Rear (Narrow)	24	131-3945	1	Rod-Mount, Deck
7	119-8875	2	Bracket-Lift	25	119-8810	1	Pin-Pivot
8	131-0914-03	1	Bracket-Battery	34	121-5684	1	Decal-Location, Service Dealer
9	3296-29	2	Nut-Lock, NI	35	121-2989	2	Decal-Bypass
10	108-7840	2	Link-Lift	36	127-3353-03	1	Guard-Engine, Narrow
11	108-7839	1	Arm-Lift, Rear	37	130-6950-01	1	Crossmember-Rear, Narrow
12	108-7845	2	Block-Pivot	38	3234-47	8	Screw-HHF
14	1-633268	1	Grip-Lever	39	117-1232-03	1	Bracket-Hitch
15	3272-11	2	Pin-Cotter	40	131-4036	1	Decal
16	3256-26	3	Washer-Flat	43	99-4693	1	Decal
17	104-8300	14	Nut-HF, NI				
18	131-0901-01	1	Mount-Hydro, Front (RH)				

# Steering Column Assembly

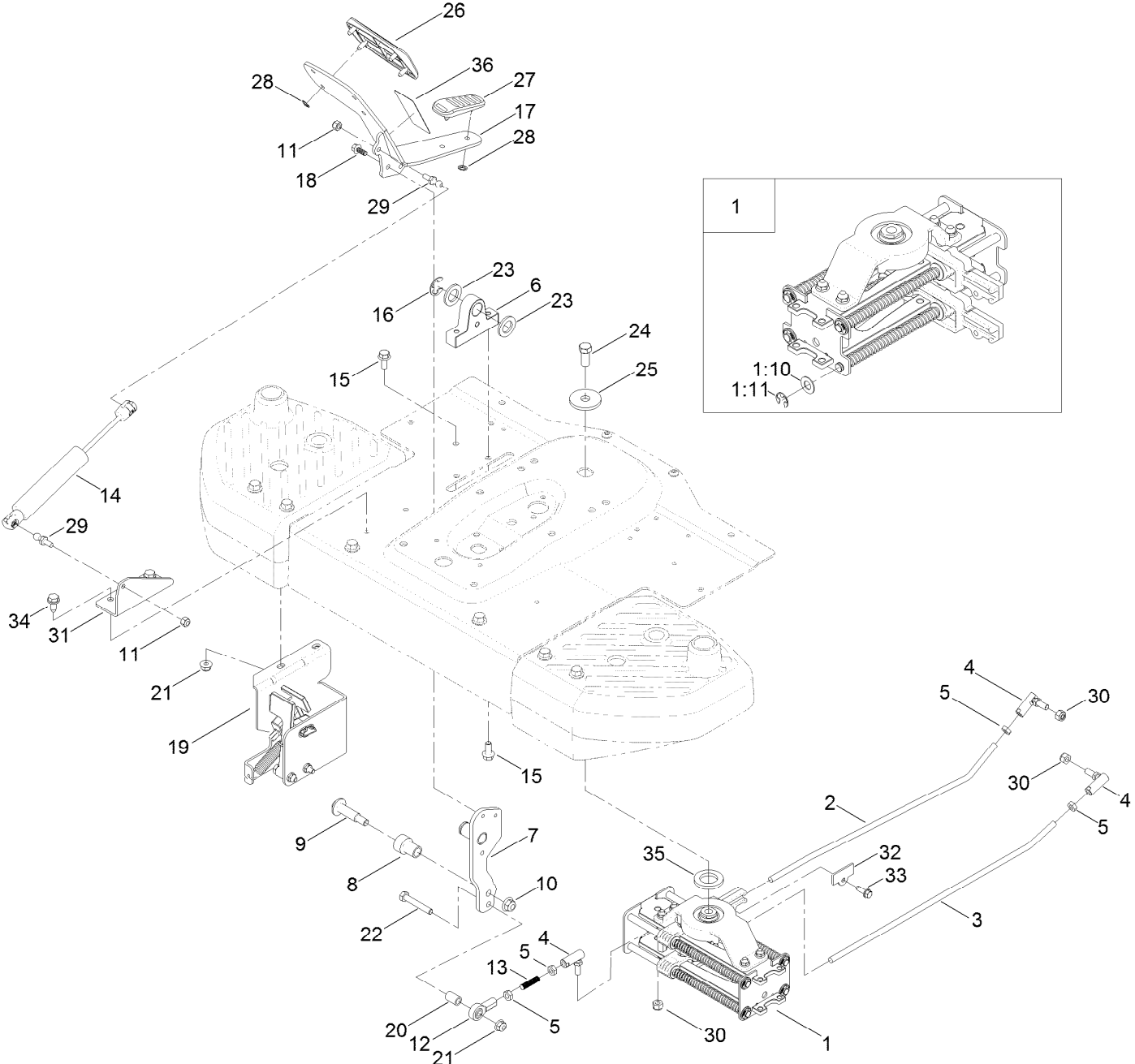




## Steering Column Assembly (continued)

<i>Ref.</i>	<i>Part Number</i>	<i>Qty.</i>	<i>Description</i>	<i>Ref.</i>	<i>Part Number</i>	<i>Qty.</i>	<i>Description</i>
1	131-1052-03	1	Bracket-Pivot, Column (LH)	16	130-6998	2	Spring-Extension
2	131-1053-03	1	Bracket-Pivot, Column (RH)	17	3256-23	4	Washer-Plain
3	131-1054-01	1	Column-Front	19	132-0921	6	Stud-Push-In
4	132-9315-01	1	Column-Back	20	104-8301	7	Nut-HF, NI
5	133-1160	1	Bearing-Spherical	21	131-1043	2	Plate-Retainer
6	125-5507	1	Shaft-Steering, Upper	22	5-4460	2	Washer-Pivot
7	131-1056	2	Spacer-Pivot, Column	23	99-4243	2	Bushing-Flange
8	131-1050	1	Rod-Plunger	24	322-6	2	Screw-HH
9	131-8729	2	Washer-Shaft, Tilt	25	131-4096	1	Pad-Tilt Pedal
10	131-1030	1	U-Joint ASM	26	32112-6	2	Nut-Push
11	132-6868	1	Release Pedal ASM	28	256-257	2	Bushing-Nyliner
12	701197	4	E-Ring	29	131-3697	1	Spacer
13	131-1049	2	Plate-Plunger	30	323-23	1	Screw-HH
14	322-3	2	Screw-HH	31	121-1759	2	Spacer
15	32144-70	8	Screw-HWHTF				

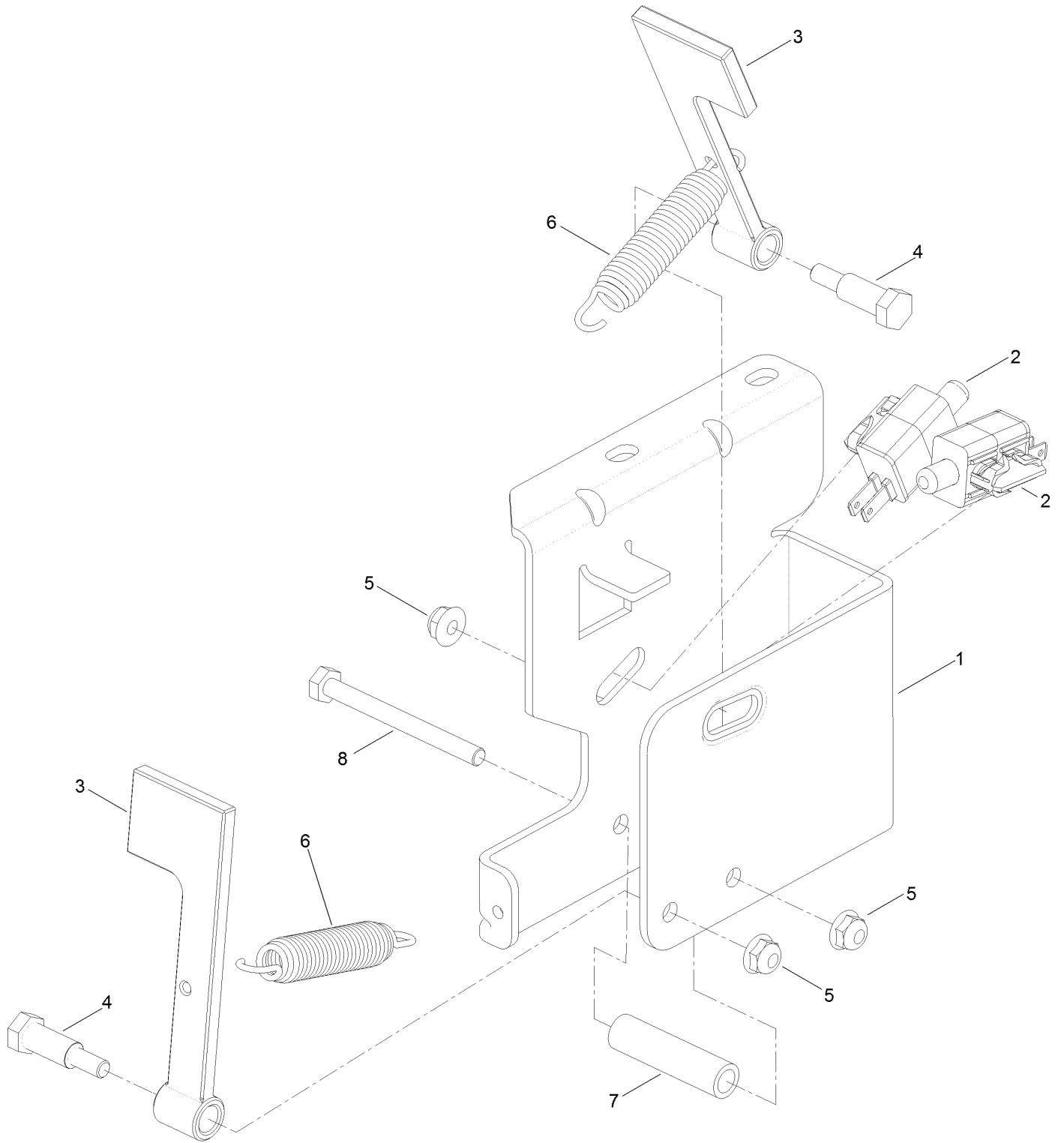
# Speed Control Assembly



## Speed Control Assembly (continued)

<i>Ref.</i>	<i>Part Number</i>	<i>Qty.</i>	<i>Description</i>	<i>Ref.</i>	<i>Part Number</i>	<i>Qty.</i>	<i>Description</i>
1	131-0904	1	Speed Control ASM	18	99-6810	2	Screw-HHF
1:10	131-8667	12	Washer-Thrust	19	131-0903	1	Neutral Return ASM
1:11	32120-18	8	E-Ring	20	131-1034	1	Spacer
2	127-0115	1	Rod-Hydro, RH	21	104-8300	3	Nut-HF, NI
3	127-0116	1	Rod-Hydro, LH	22	322-10	1	Screw-HH
4	2411-33	3	Balljoint-RH (W/Grommet)	23	70-1160	2	Washer
5	3220-2	4	Nut-Jam	24	324-4	1	Screw-HH
6	130-6887	1	Mount-Pedal Pivot	25	84-1560	1	Washer-Thrust
7	132-6907	1	Pivot Lever ASM	26	98-9040	1	Pad-Toe, Hydro Pedal
8	127-3397	1	Roller	27	98-9039	1	Pad-Heel, Hydro Pedal
9	56-6590	1	Bolt-Wheel	28	32112-6	6	Nut-Push
10	104-8301	1	Nut-HF, NI	29	132-6917	2	Ball Stud
11	3296-42	4	Nut-Lock, NI	30	3296-4	3	Nut-Lock
12	1-543017	1	Balljoint-RH	31	130-6910-03	1	Bracket-Damper
13	130-6906	1	Rod-Threaded	32	131-1041	2	Cover-End Rod
14	133-1171	1	Damper-Non Cavitating	33	32144-44	2	Screw-HWH, Thread Roll
15	3234-47	4	Screw-HHF	34	32144-70	2	Screw-HWHTF
16	32151-48	1	E-Ring	35	131-8736	1	Spacer-Bearing
17	132-6865-01	1	Pedal-Traction	36	132-6863	1	Decal-Release, Break

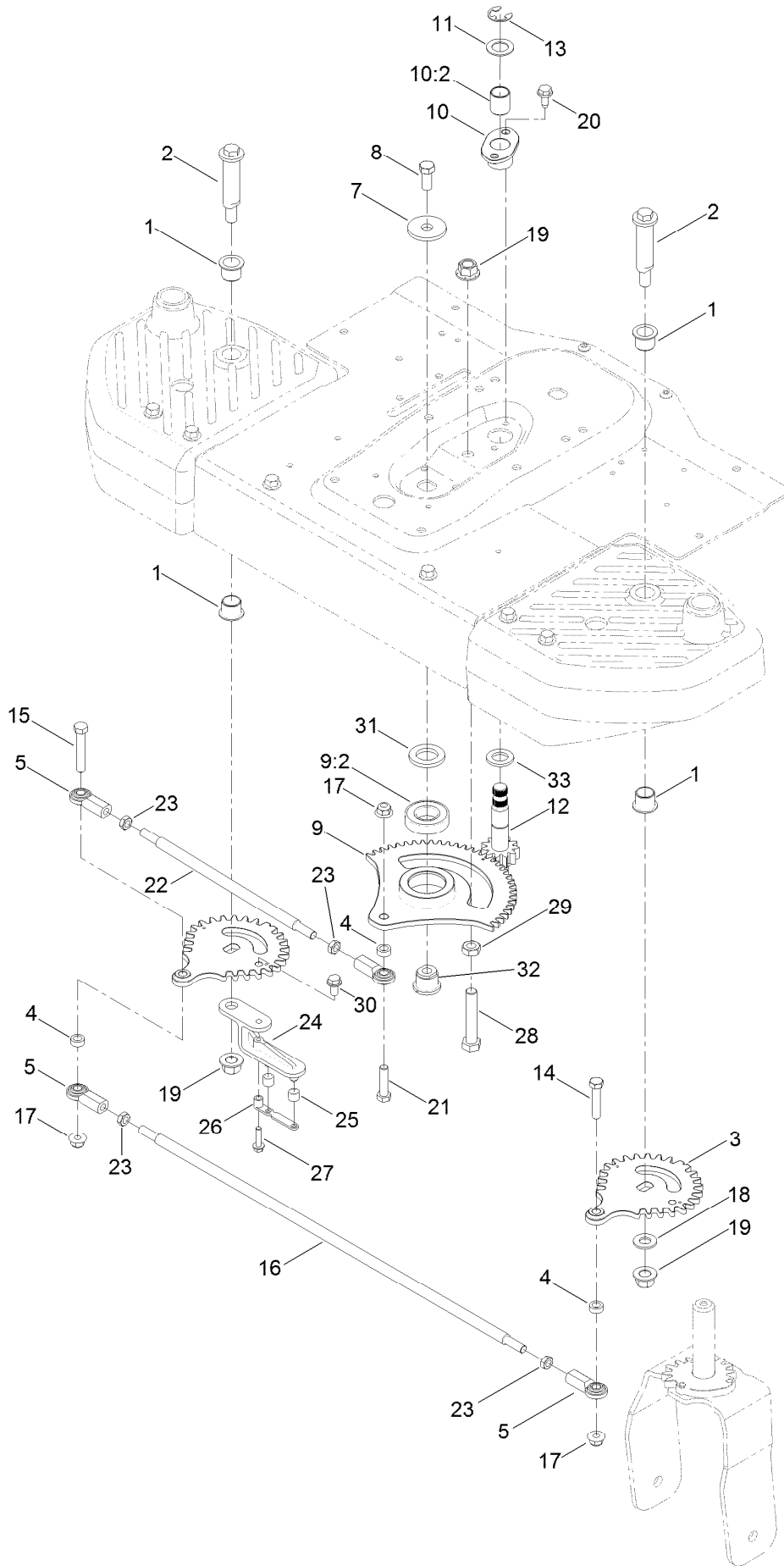
# Neutral Return Assembly



## Neutral Return Assembly (continued)

<i>Ref.</i>	<i>Part Number</i>	<i>Qty.</i>	<i>Description</i>	<i>Ref.</i>	<i>Part Number</i>	<i>Qty.</i>	<i>Description</i>
1	132-0909-03	1	Bracket-Switch	5	104-7201	3	Nut-HF
2	110-6765	2	Switch	6	132-6915	2	Spring-Extension
3	130-0782	2	Arm-Switch	7	131-3976	1	Spacer
4	119-2309	2	Bolt-Shoulder	8	321-14	1	Screw-HH

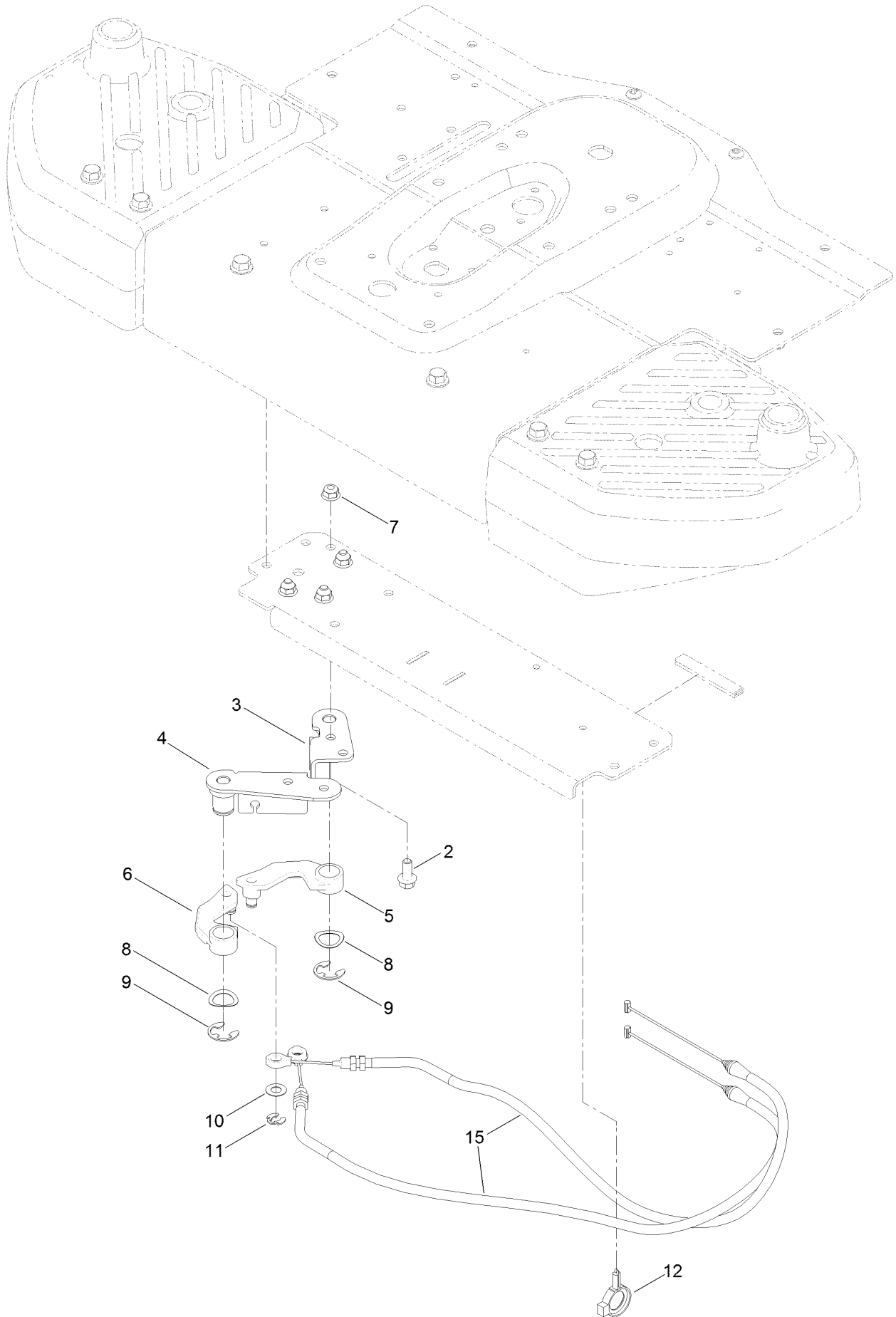
# Steering Gear Assembly



## Steering Gear Assembly (continued)

<i>Ref.</i>	<i>Part Number</i>	<i>Qty.</i>	<i>Description</i>	<i>Ref.</i>	<i>Part Number</i>	<i>Qty.</i>	<i>Description</i>
1	103-4398	4	Bearing-Flange, Iglide	17	104-8301	3	Nut-HF, NI
2	131-1031	2	Bolt-Shoulder	18	3256-26	1	Washer-Flat
3	130-0830	2	Gear-Wheel, 30 Tooth	19	99-5107	3	Nut-Lock
4	83-1050	3	Spacer	20	32144-70	2	Screw-HWHTF
5	103-0608	4	Joint-Ball, End	21	323-8	1	Screw-HH
7	84-1560	1	Washer-Thrust	22	131-1036	1	Rod-Steering, Narrow
8	324-4	1	Screw-HH	23	3220-3	4	Nut-HJ
9	131-8731	1	Sector Gear ASM	24	130-6878	1	Lever-Cable
9:2	109-3678	1	Bearing-Ball	25	131-3951	2	Bushing
10	131-8733	1	Flange Bearing ASM	26	131-3950	1	Strap-Roller
10:2	115-7019	1	Bushing-Straight	27	32144-86	1	Screw-HWHTF
11	119-7640	1	Washer-Thrust	28	325-11	1	Screw-HH
12	125-5508	1	Lower Steering Shaft ASM	29	3218-5	1	Nut-Jam
13	32151-48	1	E-Ring	30	32144-14	1	Screw-HWHTF
14	323-9	1	Screw-HH	31	131-8736	1	Spacer-Bearing
15	323-11	1	Screw-HH	32	131-8737	1	Pivot-Bearing
16	131-1035	1	Rod-Cross, Narrow	33	70-1160	1	Washer

# Steering Cable Assembly

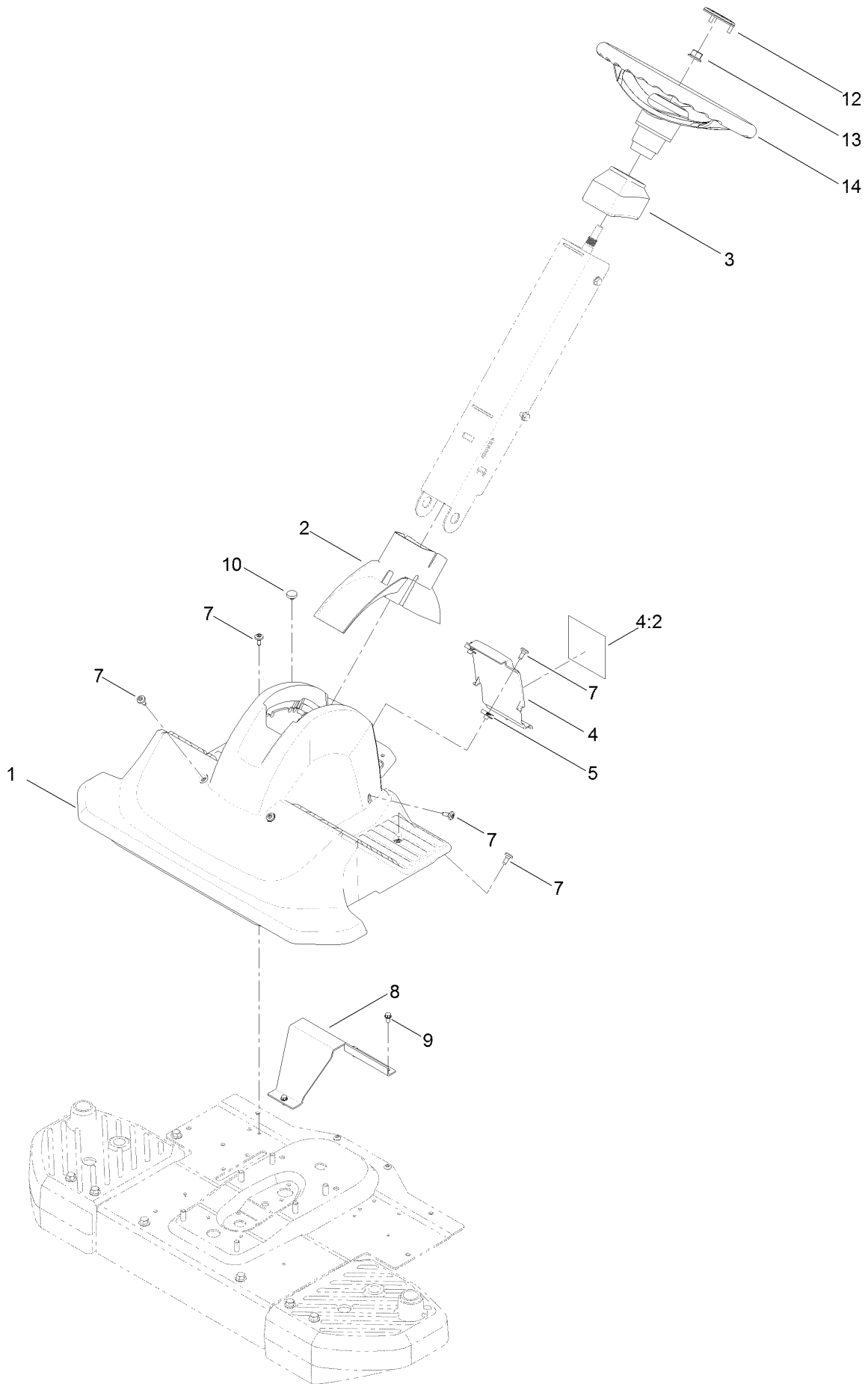




## Steering Cable Assembly (continued)

<i>Ref.</i>	<i>Part Number</i>	<i>Qty.</i>	<i>Description</i>	<i>Ref.</i>	<i>Part Number</i>	<i>Qty.</i>	<i>Description</i>
2	3234-47	4	Screw-HHF	8	7896	2	Washer-Bowed
3	132-6943	1	Cable Bracket ASM	9	32151-48	2	E-Ring
4	132-6944	1	Cable Bracket ASM	10	37-8080	2	Washer-Thrust
5	131-3623	1	Arm-Cable, RH	11	32151-47	2	Ring-Retaining
6	131-3647	1	Arm-Cable, LH	12	105-1853	1	Clamp-Hose
7	104-8300	4	Nut-HF, NI	15	127-0118	2	Cable-Steering

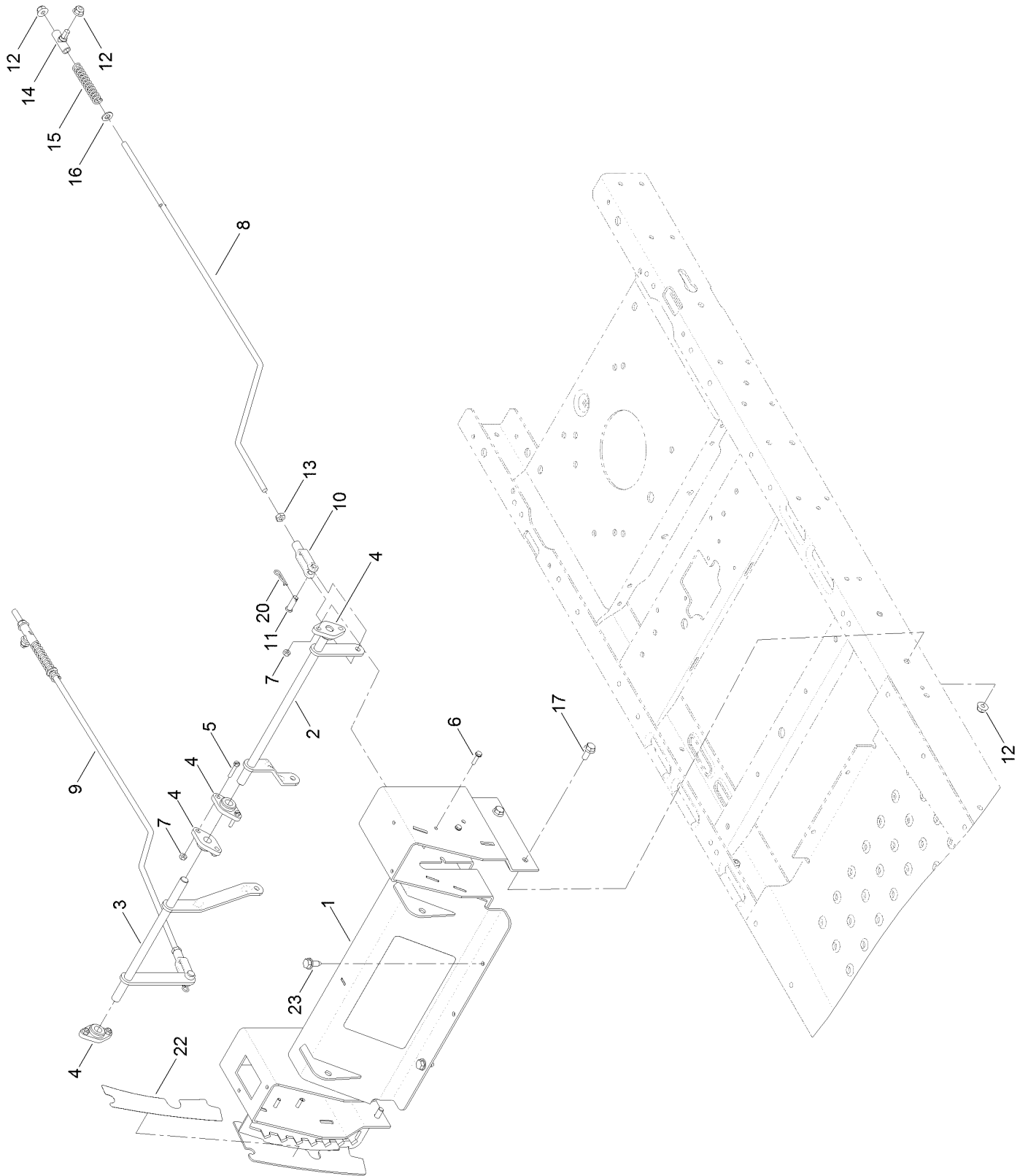
# Steering Assembly



## Steering Assembly (continued)

<i>Ref.</i>	<i>Part Number</i>	<i>Qty.</i>	<i>Description</i>	<i>Ref.</i>	<i>Part Number</i>	<i>Qty.</i>	<i>Description</i>
1	133-1152	1	Shroud-Styling, Front	8	131-1029-03	1	Support-Footrest
2	131-1028	1	Cover-Pivot, Column	9	32144-4	3	Screw-HWH
3	131-1066	1	Cap-Column	10	1-513658	1	Bumper
4	131-4099	1	Rear Cover And Decal ASM	12	131-3630	1	Cap-Wheel, Steering
4:2	132-0870	1	Decal-Danger	13	99-5107	1	Nut-Lock
5	107069	2	Clip	14	131-0957	1	Wheel-Steering
7	120-7950	9	Screw-Shoulder				

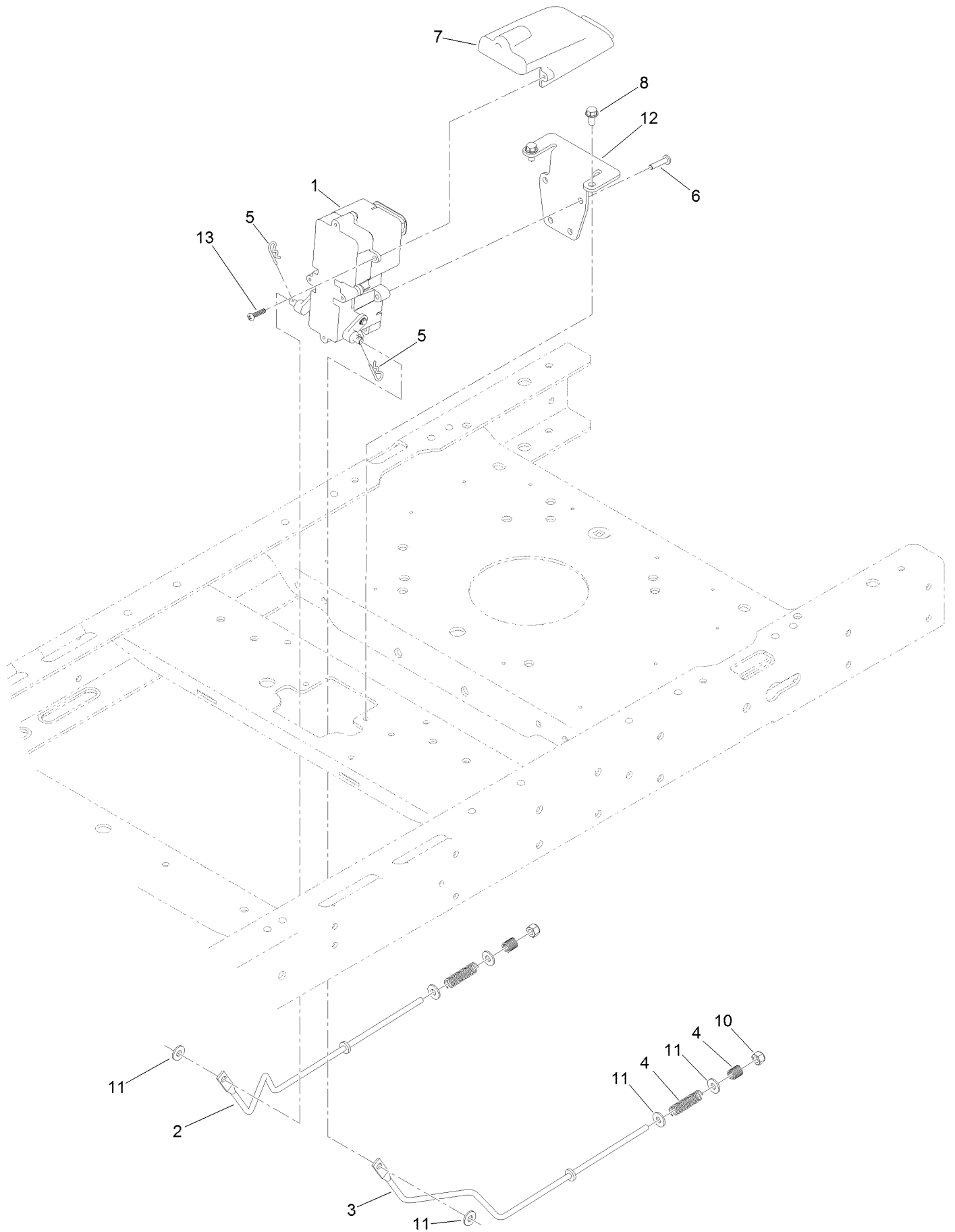
# Motion Control Assembly



## Motion Control Assembly (continued)

<i>Ref.</i>	<i>Part Number</i>	<i>Qty.</i>	<i>Description</i>	<i>Ref.</i>	<i>Part Number</i>	<i>Qty.</i>	<i>Description</i>
1	130-6898-03	1	Control Box ASM	11	1-808280	2	Pin-Clevis
2	132-6884	1	Bellcrank-LH	12	104-8300	8	Nut-HF, NI
3	132-6890	1	Bellcrank-RH	13	3220-2	2	Nut-Jam
4	127-0146	4	Bearing-Flange	14	119-8842	2	Mount-Rod, Hydro
5	32105-12	2	Screw	15	1-603807	2	Spring-Return, Neutral
6	3290-126	4	Screw-HWH	16	3256-23	2	Washer-Plain
7	3296-2	6	Nut-Lock, NI	17	3234-47	4	Screw-HHF
8	125-1812	1	Rod-Hydro, LH	20	1-806003	2	Pin-Cotter
9	127-3378	1	Rod-Hydro, RH	22	119-8871	1	Decal-HOC
10	1-303105	2	Yoke-Adjustable	23	32144-70	2	Screw-HWHTF

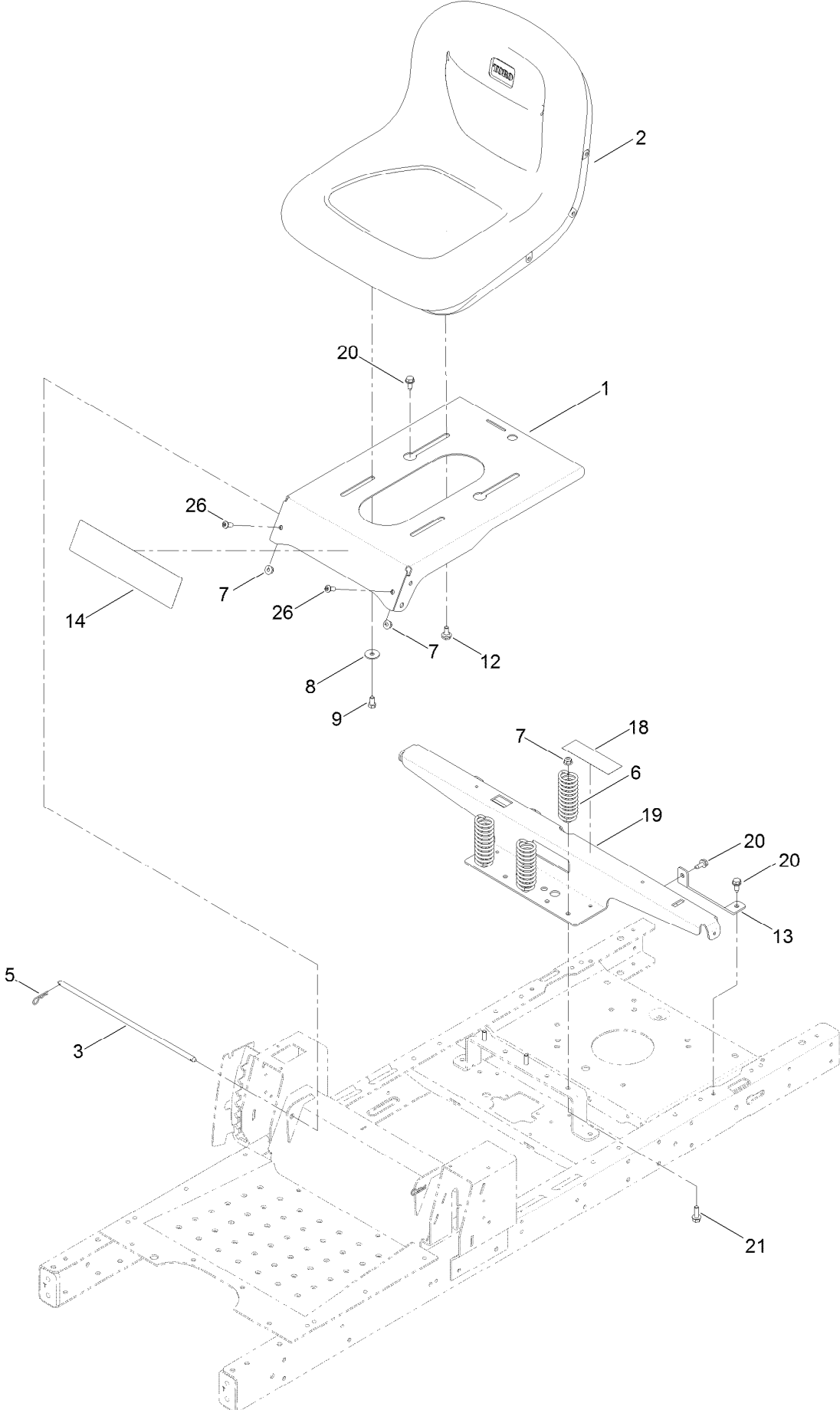
# Brake Box Assembly



## Brake Box Assembly (continued)

<i>Ref.</i>	<i>Part Number</i>	<i>Qty.</i>	<i>Description</i>	<i>Ref.</i>	<i>Part Number</i>	<i>Qty.</i>	<i>Description</i>
1	130-0795	1	Brake Box ASM	7	132-6949	1	Cover-Connector
2	121-2974	1	Rod-Brake, RH	8	32144-4	2	Screw-HWH
3	121-2975	1	Rod-Brake, LH	10	3296-42	2	Nut-Lock, NI
4	117-1169	4	Spring-Compression	11	119-8952	6	Washer
5	3290-307	2	Pin-Cotter	12	130-0790-03	1	Bracket-Mount, Brake
6	32144-36	4	Screw-PPH	13	94-4496	2	Screw-PPH

# Seat Assembly

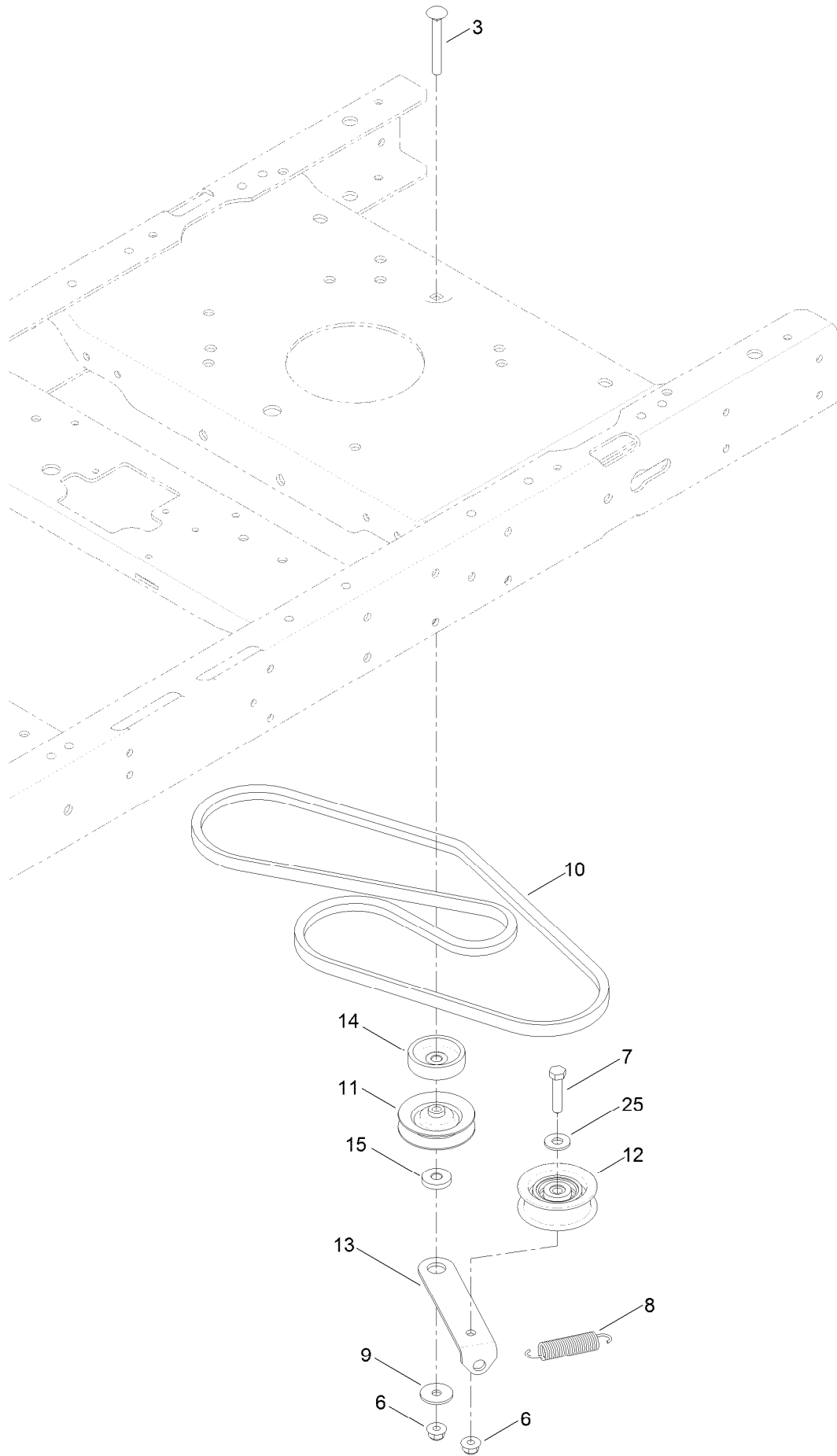




## Seat Assembly (continued)

<i>Ref.</i>	<i>Part Number</i>	<i>Qty.</i>	<i>Description</i>	<i>Ref.</i>	<i>Part Number</i>	<i>Qty.</i>	<i>Description</i>
1	131-4037-01	1	Pan-Seat	12	37-8771	2	Bolt-Shoulder
2	119-8828	1	Seat-15 Inch	13	119-3431-03	2	Support-Tank, Rear
3	119-3433	1	Rod-Pivot, Narrow	14	131-3657	1	Decal-Timecutter
5	3290-250	2	Pin-Cotter	18	106-8717	1	Decal-Service, CE
6	92-7054	3	Spring-Compression	19	131-1040-03	1	Support-Pod
7	104-8300	5	Nut-HF, NI	20	32144-70	4	Screw-HWHTF
8	5-4460	2	Washer-Pivot	21	3234-29	3	Screw-HHF
9	322-2	2	Screw-HH	26	3274-55	2	Screw-HSBH

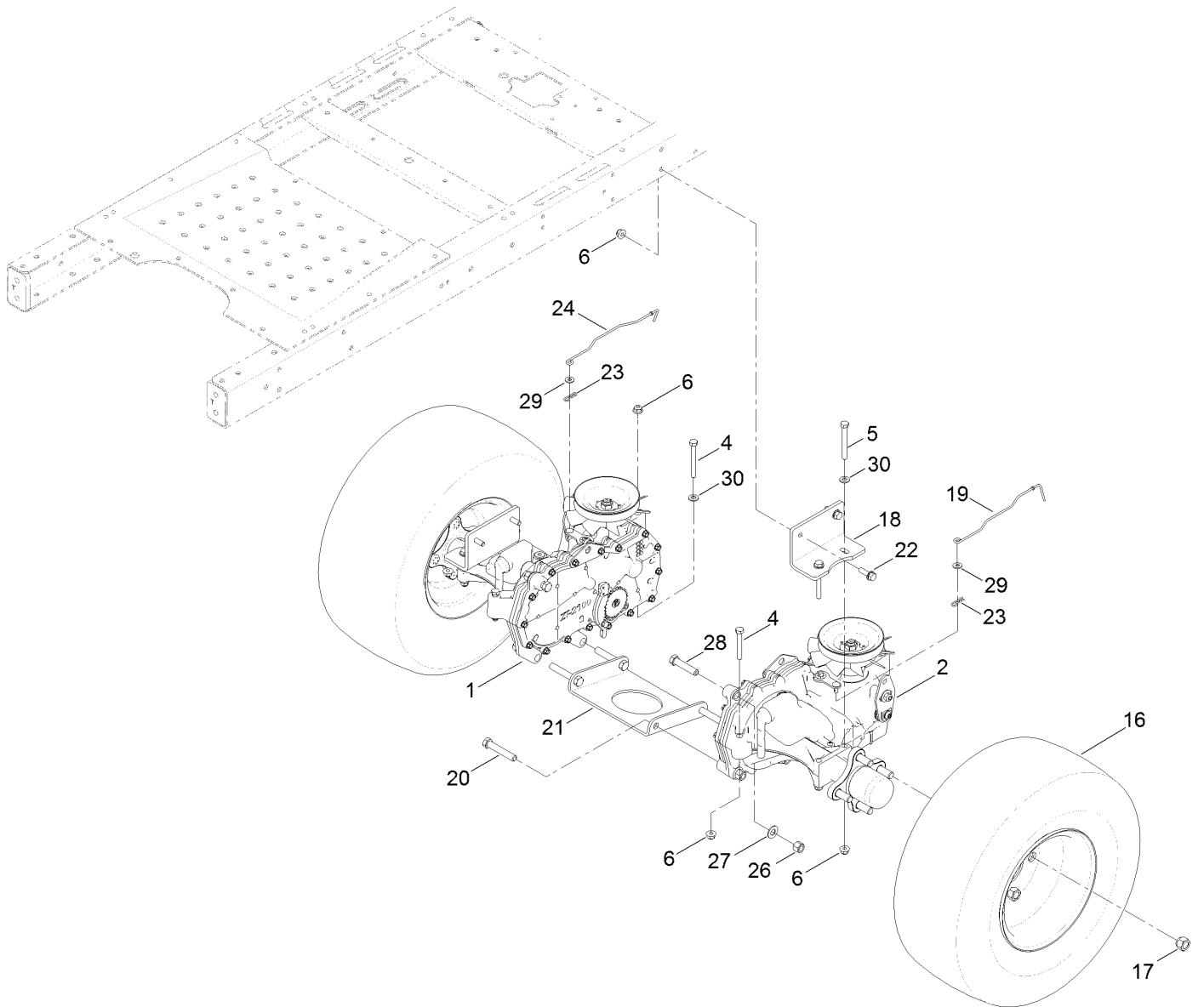
# Belt and Idler Assembly



## Belt and Idler Assembly (continued)

<i>Ref.</i>	<i>Part Number</i>	<i>Qty.</i>	<i>Description</i>	<i>Ref.</i>	<i>Part Number</i>	<i>Qty.</i>	<i>Description</i>
3	3230-8	1	Screw-CARR	11	119-8822	1	Pulley-Idler
6	104-8300	2	Nut-HF, NI	12	106-2176	1	Pulley-Idler
7	322-7	1	Screw-HH	13	119-3326	1	Arm-Idler
8	104-6415	1	Spring-Return, Pedal	14	119-3353	1	Spacer
9	5-4460	1	Washer-Pivot	15	119-3327	1	Spacer-Arm, Idler
10	130-6975	1	V-Belt	25	3256-3	1	Washer-Flat

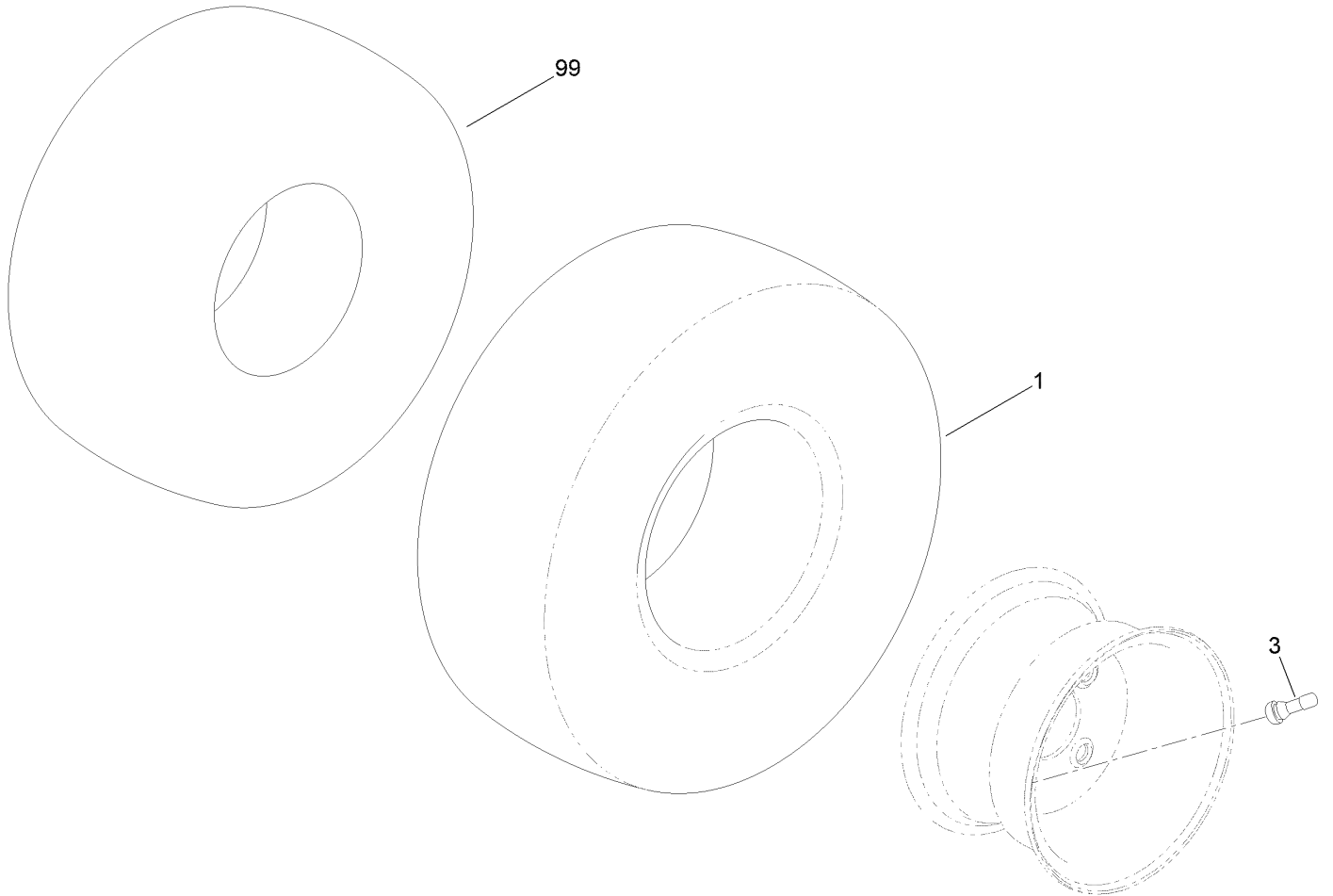
# Hydro Transaxle Drive and Rear Wheel Assembly



## Hydro Transaxle Drive and Rear Wheel Assembly (continued)

<i>Ref.</i>	<i>Part Number</i>	<i>Qty.</i>	<i>Description</i>	<i>Ref.</i>	<i>Part Number</i>	<i>Qty.</i>	<i>Description</i>
1	119-3331	1	RH Hydro Transaxle ASM	21	119-3339-03	1	Plate-Cross, Hydro
2	119-3330	1	LH Hydro Transaxle ASM	22	3234-29	4	Screw-HHF
4	322-11	4	Screw-HH	23	3290-307	2	Pin-Cotter
5	322-13	4	Screw-HH	24	130-7049	1	Rod-Bypass, RH
6	104-8300	12	Nut-HF, NI	26	3296-48	6	Nut-Lock, NI
16	131-3671	2	2 Ply Wheel And Tire ASM	27	3256-25	6	Washer-Flat
17	242-50	8	Nut-Lug	28	324-8	2	Screw-HH
18	117-7264-03	2	Mount-Hydro	29	119-8952	2	Washer
19	131-0900	1	Rod-Bypass, LH	30	3256-23	6	Washer-Plain
20	324-10	4	Screw-HH				

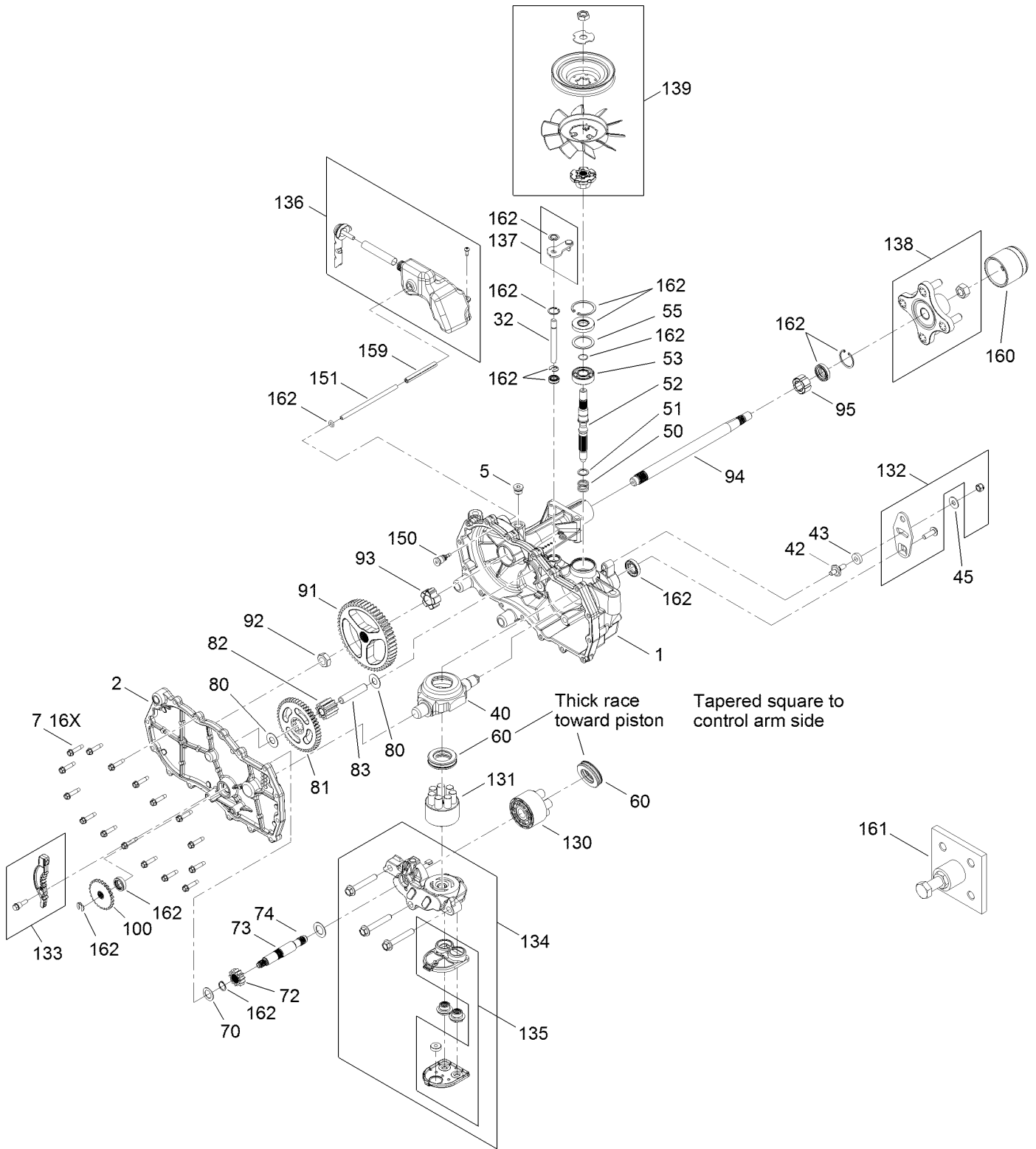
# 2 Ply Wheel and Tire Assembly No. 131-3671



## 2 Ply Wheel and Tire Assembly No. 131-3671 (continued)

<i>Ref.</i>	<i>Part Number</i>	<i>Qty.</i>	<i>Description</i>
1	131-3678	1	Tire-2 Ply
3	232-27	1	Stem-Valve
99	107-2491	1	Tube-Tire

# Right Hand Hydro Transaxle Assembly No. 119-3331



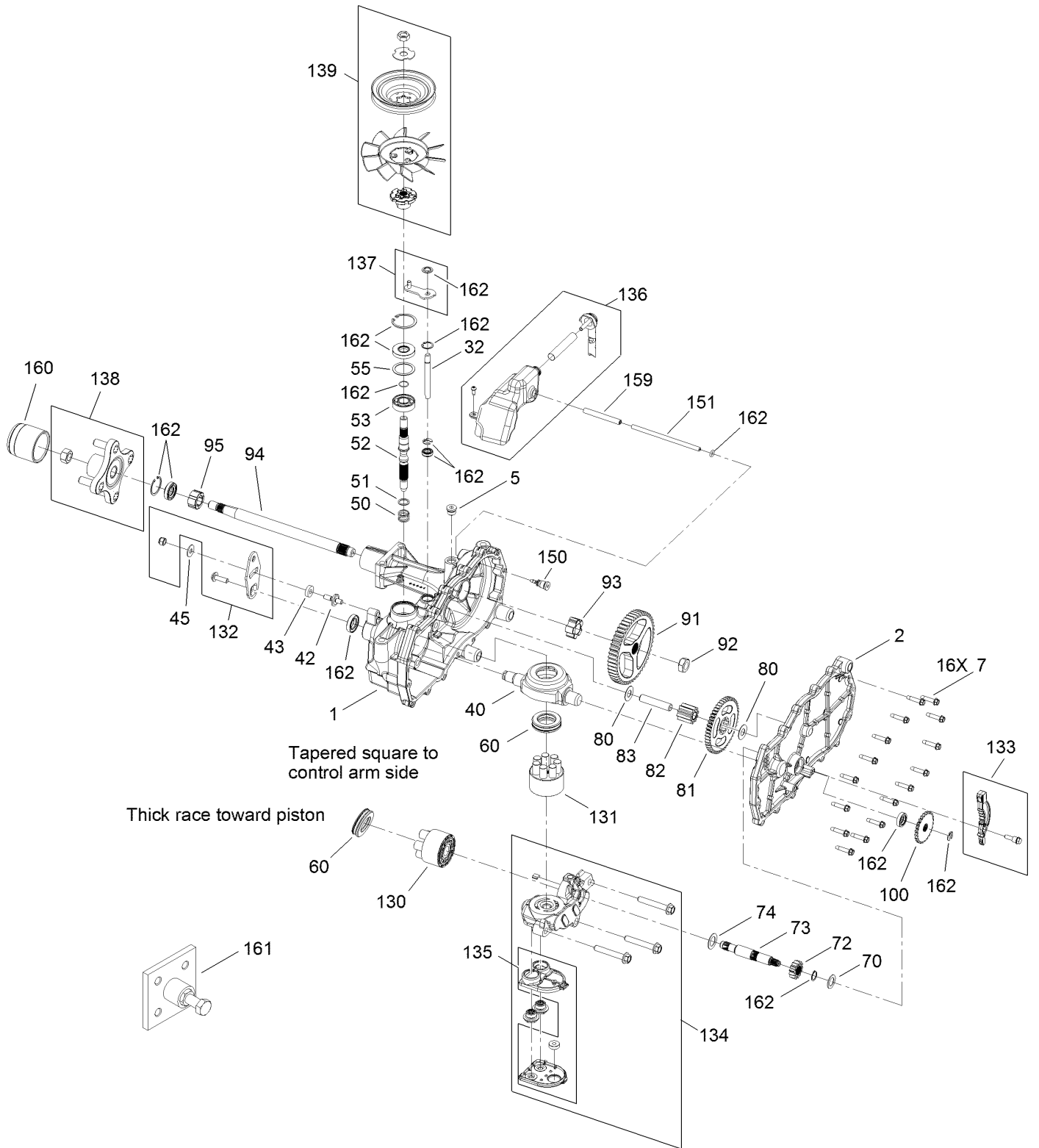


# Right Hand Hydro Transaxle Assembly No. 119-3331 (continued)

<i>Ref.</i>	<i>Part Number</i>	<i>Qty.</i>	<i>Description</i>	<i>Ref.</i>	<i>Part Number</i>	<i>Qty.</i>	<i>Description</i>
1	120-5531	1	Main Housing ASM	83	104-5329	1	Pin-Jackshaft
2	120-5533	1	Housing Side Kit	91	120-5539	1	Gear-Bull
5	104-2189	1	Plug-Thread, Straight	92	104-2142	1	Nut-HJ
7	117-5359	16	Screw-HHF	93	115-8314	1	Bushing-Inboard
13	104-2147	1	Sealant ●	94	120-5540	1	Shaft-Axle
32	106-8678	2	Rod-Bypass	95	120-5541	1	Bearing-Sleeve
40	104-5304	1	Swashplate-Trunnion	100	106-8694	1	Disc-Brake, Cog
42	104-2116	1	Stud	130	103-2666	1	Cylinder Block Kit
43	112-9853	1	Puck-Friction	131	110-8561	1	Pump Block ASM
45	114-8491	1	Washer	132	117-5362	1	Control Arm Kit
50	120-5537	1	Spring-Compression	133	106-8688	1	Brake Arm Kit
51	120-5538	1	Washer	134	112-9862	1	Center Section Filter Kit
52	104-5306	1	Shaft-Input	135	114-1634	1	Filter Kit
53	104-5311	1	Bearing-Ball	136	121-5735	1	LH Expansion Tank Kit
55	104-5308	1	Spacer	137	107-2489	1	Bypass Arm Kit
60	94-6922	1	Bearing-Thrust	138	121-5731	1	Hub Kit
70	104-5339	1	Washer-Flat	139	121-5729	1	Fan Pulley Kit
72	104-5316	1	Gear-Pinion, 13T	150	104-5349	1	Fitting-SAE
73	106-8683	1	Shaft-Motor	151	115-8302	1	Hose
74	104-5360	1	Washer	159	121-5728	1	Case-Tube
80	119-5541	2	Washer	160	125-0041	1	Cap-Axle
81	104-5317	1	Gear-10T/48T	161	114-8467	1	Puller-Hub, 4 Bolt
82	104-5318	1	Gear-Jackshaft, 10T	162	120-7103	1	Seal And Ring Kit

● Not illustrated

# Left Hand Hydro Transaxle Assembly No. 119-3330

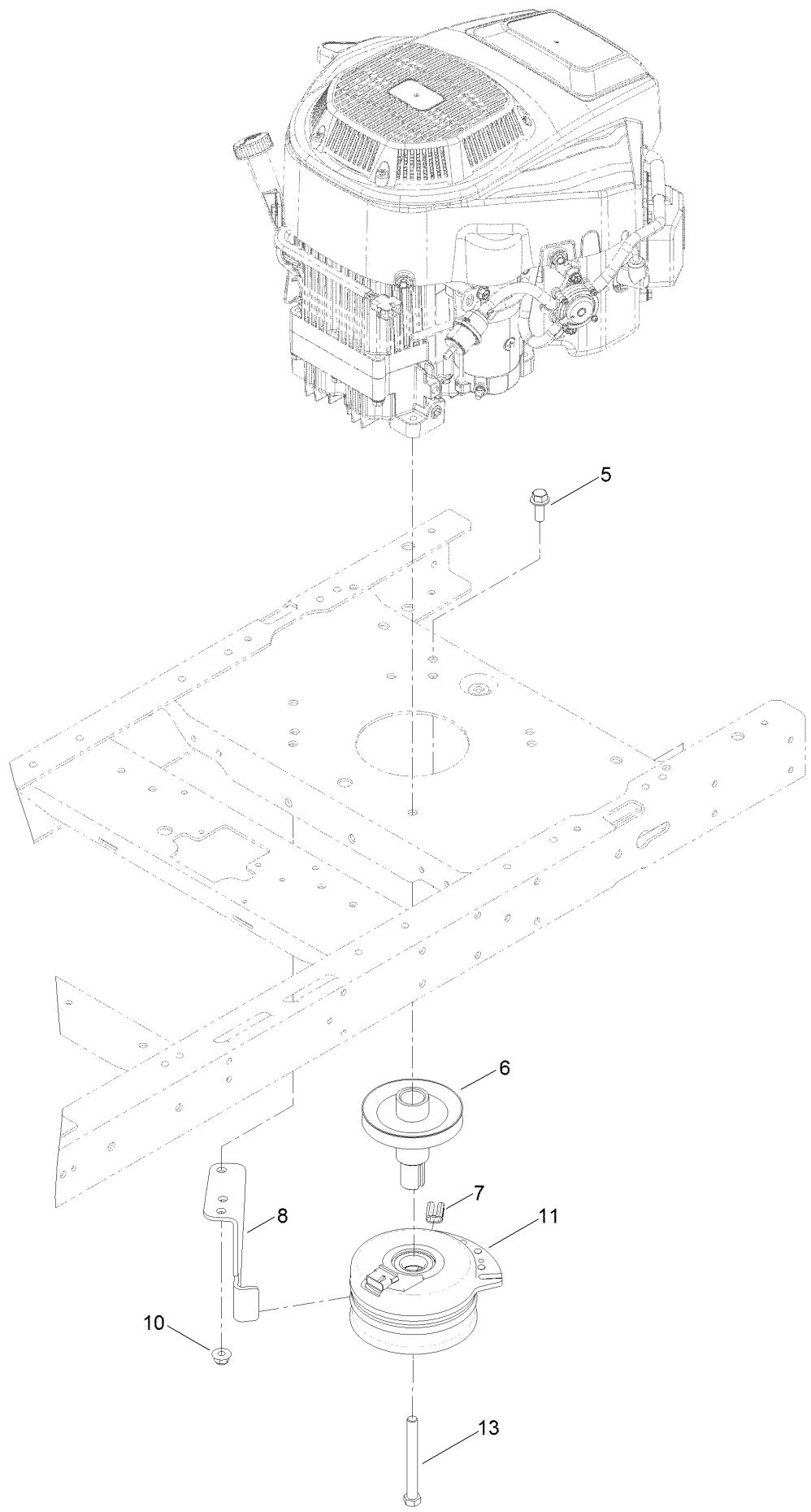


# Left Hand Hydro Transaxle Assembly No. 119-3330 (continued)

<i>Ref.</i>	<i>Part Number</i>	<i>Qty.</i>	<i>Description</i>	<i>Ref.</i>	<i>Part Number</i>	<i>Qty.</i>	<i>Description</i>
1	120-5532	1	Main Housing ASM	83	104-5329	1	Pin-Jackshaft
2	120-5534	1	Housing Side Kit	91	120-5539	1	Gear-Bull
5	104-2189	1	Plug-Thread, Straight	92	104-2142	1	Nut-HJ
7	117-5359	16	Screw-HHF	93	115-8314	1	Bushing-Inboard
13	104-2147	1	Sealant ●	94	120-5540	1	Shaft-Axle
32	106-8678	2	Rod-Bypass	95	120-5541	1	Bearing-Sleeve
40	104-5304	1	Swashplate-Trunnion	100	106-8694	1	Disc-Brake, Cog
42	104-2116	1	Stud	130	103-2666	1	Cylinder Block Kit
43	112-9853	1	Puck-Friction	131	110-8561	1	Pump Block ASM
45	114-8491	1	Washer	132	117-5362	1	Control Arm Kit
50	120-5537	1	Spring-Compression	133	106-8688	1	Brake Arm Kit
51	120-5538	1	Washer	134	112-9861	1	Center Section Filter Kit
52	104-5306	1	Shaft-Input	135	114-1634	1	Filter Kit
53	104-5311	1	Bearing-Ball	136	121-5730	1	RH Expansion Tank Kit
55	104-5308	1	Spacer	137	120-5549	1	Bypass Kit
60	94-6922	1	Bearing-Thrust	138	121-5731	1	Hub Kit
70	104-5339	1	Washer-Flat	139	121-5729	1	Fan Pulley Kit
72	104-5316	1	Gear-Pinion, 13T	150	104-5349	1	Fitting-SAE
73	106-8683	1	Shaft-Motor	151	115-8302	1	Hose
74	104-5360	1	Washer	159	121-5728	1	Case-Tube
80	119-5541	2	Washer	160	125-0041	1	Cap-Axle
81	104-5317	1	Gear-10T/48T	161	114-8467	1	Puller-Hub, 4 Bolt
82	104-5318	1	Gear-Jackshaft, 10T	162	120-7103	1	Seal And Ring Kit

● Not illustrated

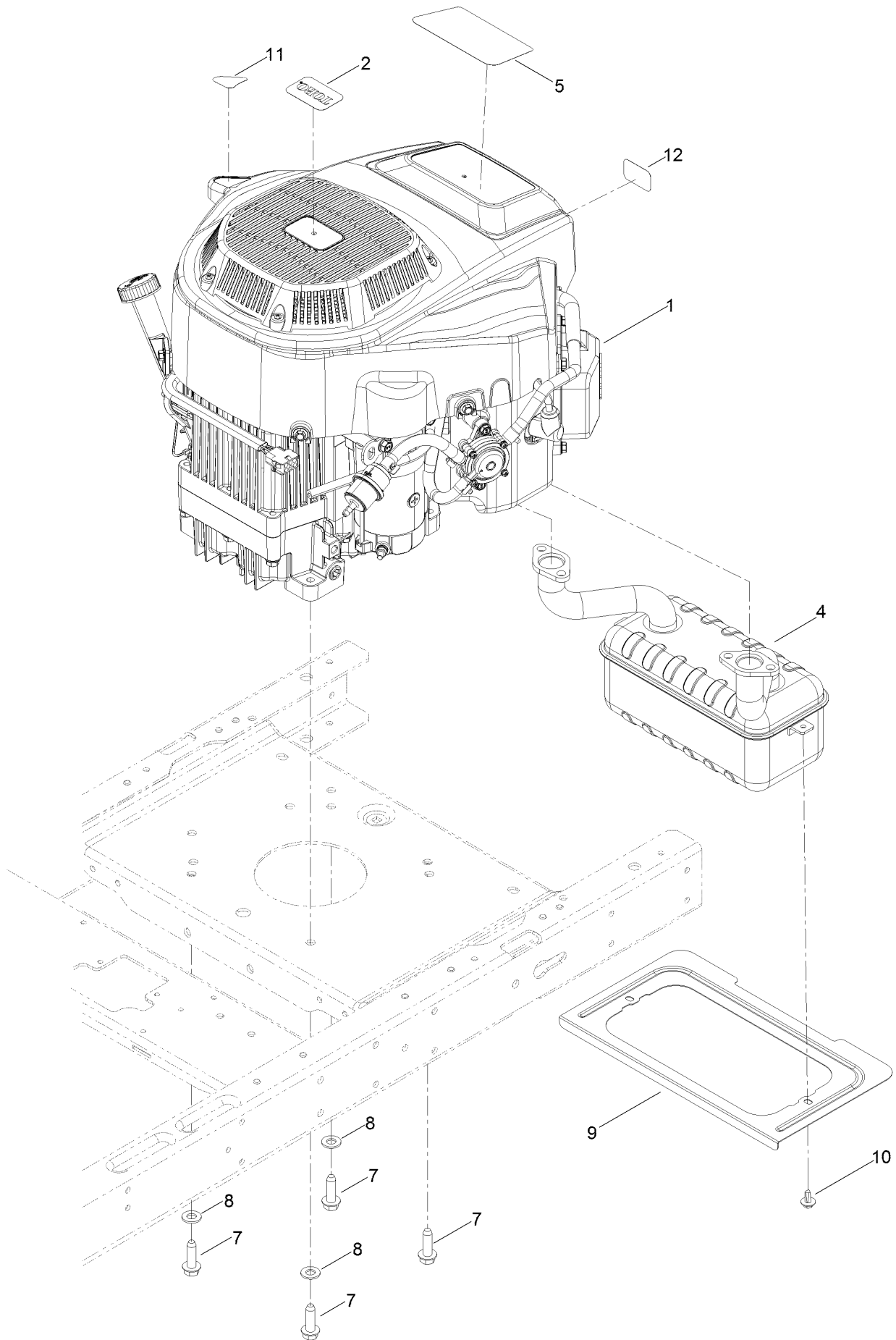
# Clutch Assembly



## Clutch Assembly (continued)

<i>Ref.</i>	<i>Part Number</i>	<i>Qty.</i>	<i>Description</i>	<i>Ref.</i>	<i>Part Number</i>	<i>Qty.</i>	<i>Description</i>
5	3234-42	1	Screw-HHF	10	104-8301	1	Nut-HF, NI
6	130-6854	1	Pulley-Engine	11	117-7468	1	Clutch-Electric
7	120-2217	1	Isolator-Clutch	13	3212-16	1	Screw-HH
8	119-8884	1	Stop-Clutch (Narrow)				

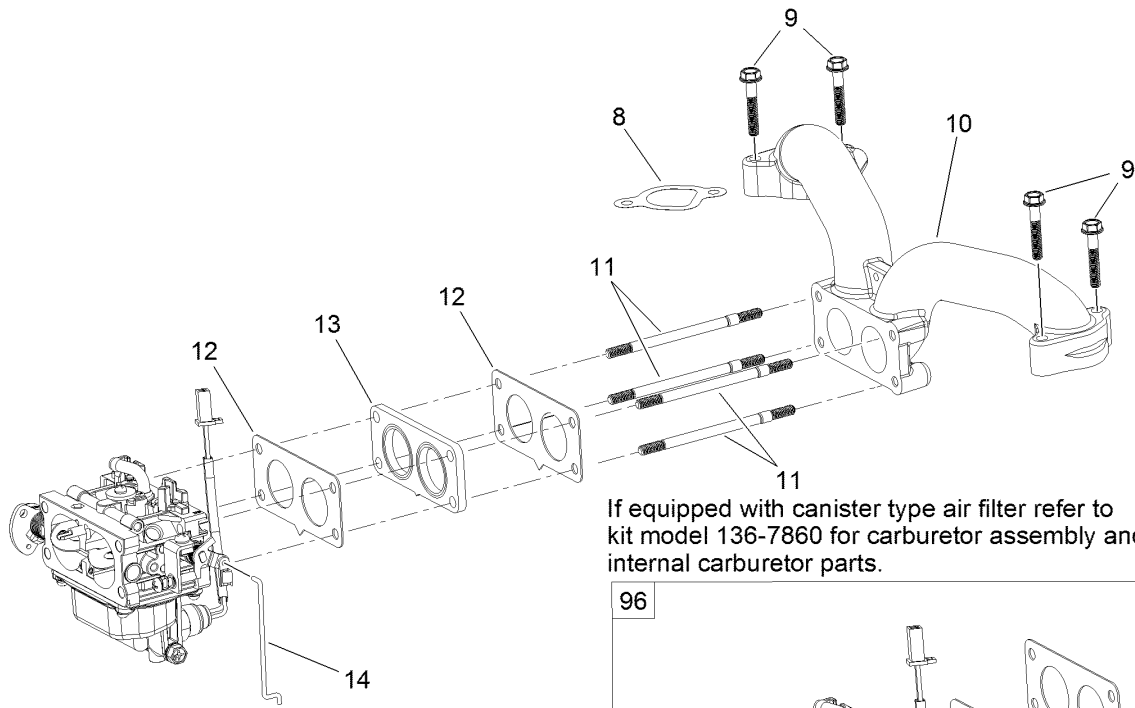
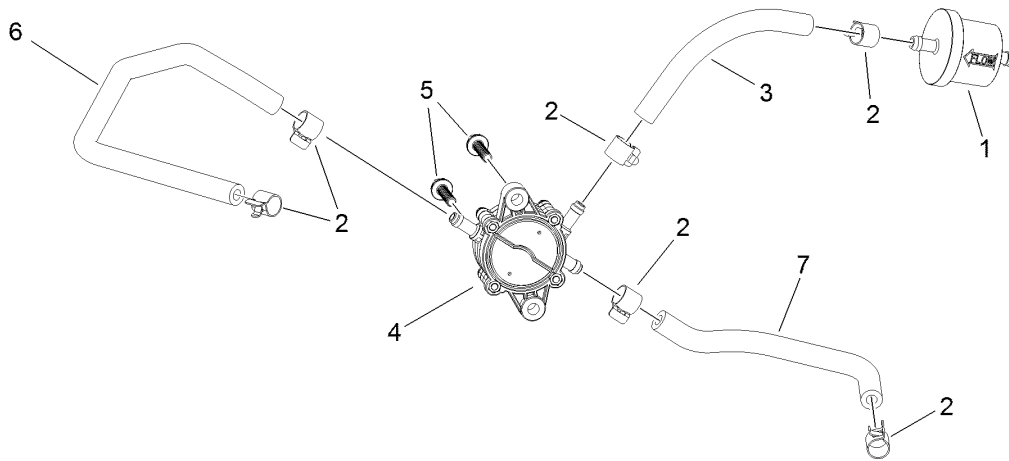
# Engine and Muffler Assembly



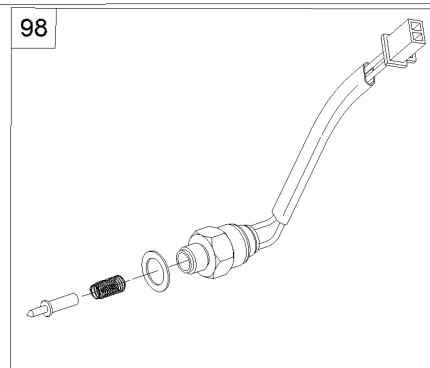
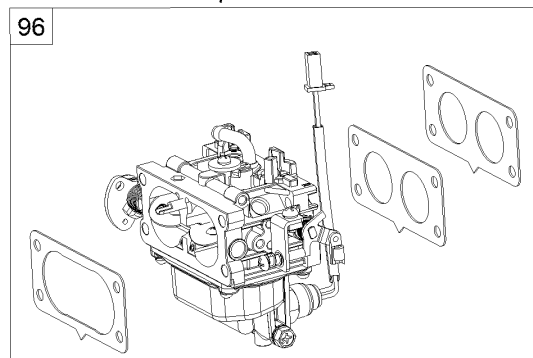
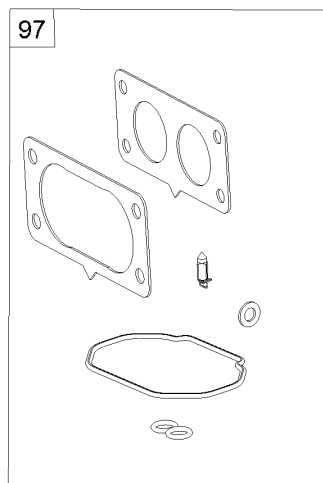
## Engine and Muffler Assembly (continued)

<i>Ref.</i>	<i>Part Number</i>	<i>Qty.</i>	<i>Description</i>	<i>Ref.</i>	<i>Part Number</i>	<i>Qty.</i>	<i>Description</i>
1	127-9041	1	Engine-2P77F	8	3256-24	3	Washer-Flat
2	131-4157	1	Decal	9	131-1071-03	1	Shield-Heat
4	130-6851	1	Muffler	10	46-8560	2	Screw-HHFTF
5	132-0902	1	Decal-Engine	11	131-1097	1	Decal-Drain, Oil
7	32144-109	4	Screw-Taptite	12	127-9076	1	Placard-Intake

# Fuel System Assembly with Non-Canister Style Air Filter



If equipped with canister type air filter refer to kit model 136-7860 for carburetor assembly and internal carburetor parts.



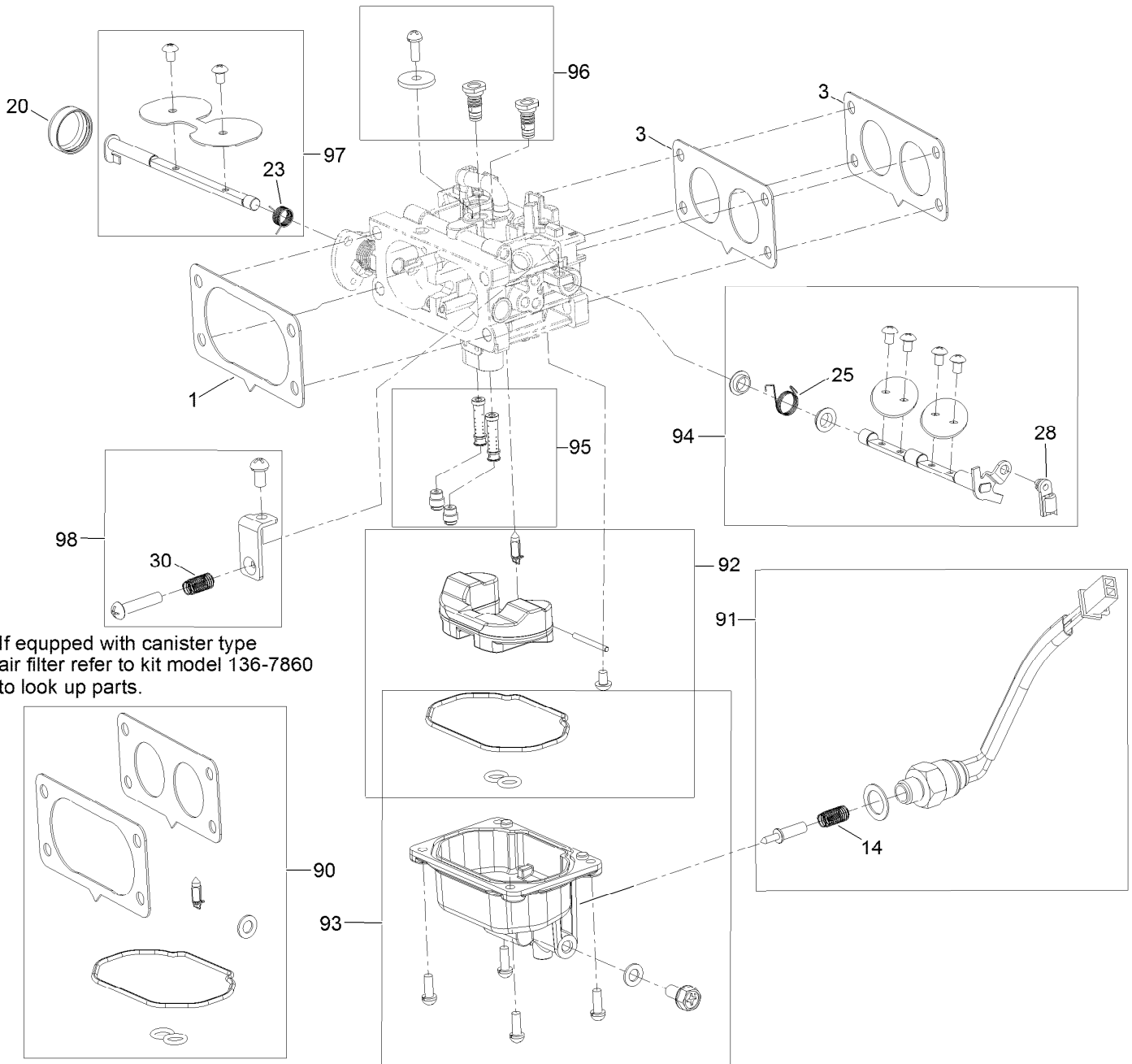


## Fuel System Assembly with Non-Canister Style Air Filter (continued)

<i>Ref.</i>	<i>Part Number</i>	<i>Qty.</i>	<i>Description</i>	<i>Ref.</i>	<i>Part Number</i>	<i>Qty.</i>	<i>Description</i>
1	133-1563	1	Filter-Fuel	10	127-9244	1	Manifold-Intake
2	120-4251	6	Clamp-Fuel Line	11	127-9245	4	Stud
3	120-4371	1	Line-Fuel	12	127-9246	2	Gasket-Carburetor
4	127-9206	1	Pump-Fuel	13	127-9247	1	Insulator-Carburetor
5	120-4225	2	Screw-HHF	14	127-9248	1	Linkage-Throttle
6	127-9205	1	Hose-Fuel	96	127-9289	1	Carburetor Replacement Kit
7	127-9207	1	Hose-Fuel	97	127-9290	1	Carburetor Repair Kit
8	127-9230	2	Gasket-Intake	98	127-9292	1	Solenoid Kit
9	120-4284	4	Screw-HHF	99	127-9303	1	High Altitude Kit ●

● Not illustrated

# Carburetor Assembly No. 127-9289 with Non-Canister Style Air Filter

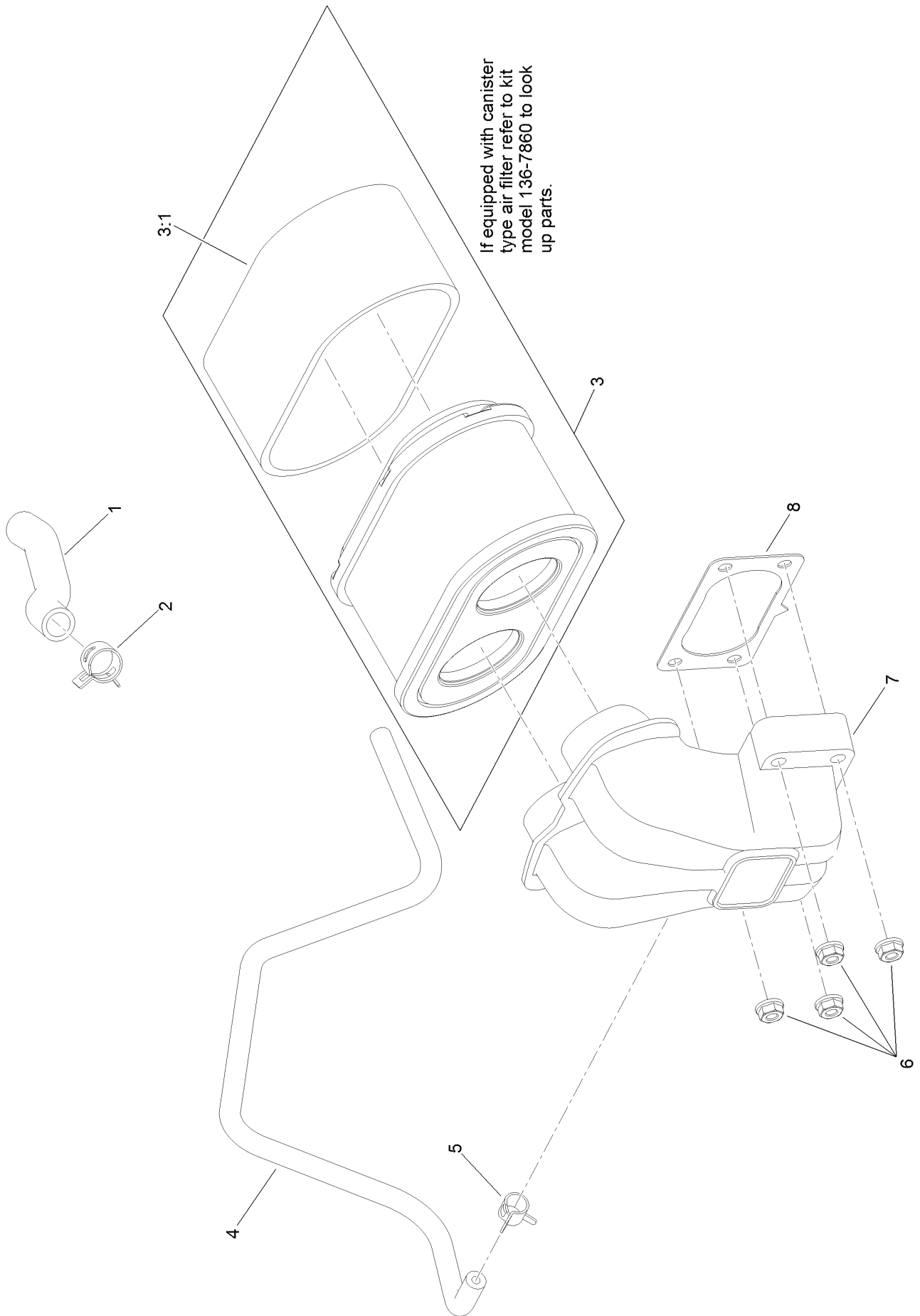


If equipped with canister type  
air filter refer to kit model 136-7860  
to look up parts.

## Carburetor Assembly No. 127-9289 with Non-Canister Style Air Filter (continued)

<i>Ref.</i>	<i>Part Number</i>	<i>Qty.</i>	<i>Description</i>	<i>Ref.</i>	<i>Part Number</i>	<i>Qty.</i>	<i>Description</i>
1	127-9249	1	Carburetor	90	127-9290	1	Carburetor Repair Kit
1	127-9251	1	Gasket-Carburetor	91	127-9292	1	Solenoid Kit
3	127-9246	2	Gasket-Carburetor	92	127-9340	1	Float Kit
14	127-9319	1	Spring	93	127-9341	1	Bowl Kit
20	127-9325	1	Cover-Shaft, Choke	94	127-9342	1	Throttle Shaft Kit
23	127-9328	1	Spring	95	127-9343	1	Nozzle And Jet Kit
25	127-9330	1	Spring	96	127-9344	1	Air Jet Kit
28	127-9333	1	Clamp-Lock	97	127-9345	1	Choke Shaft Kit
30	127-9335	1	Spring	98	127-9347	1	Idlestop Kit

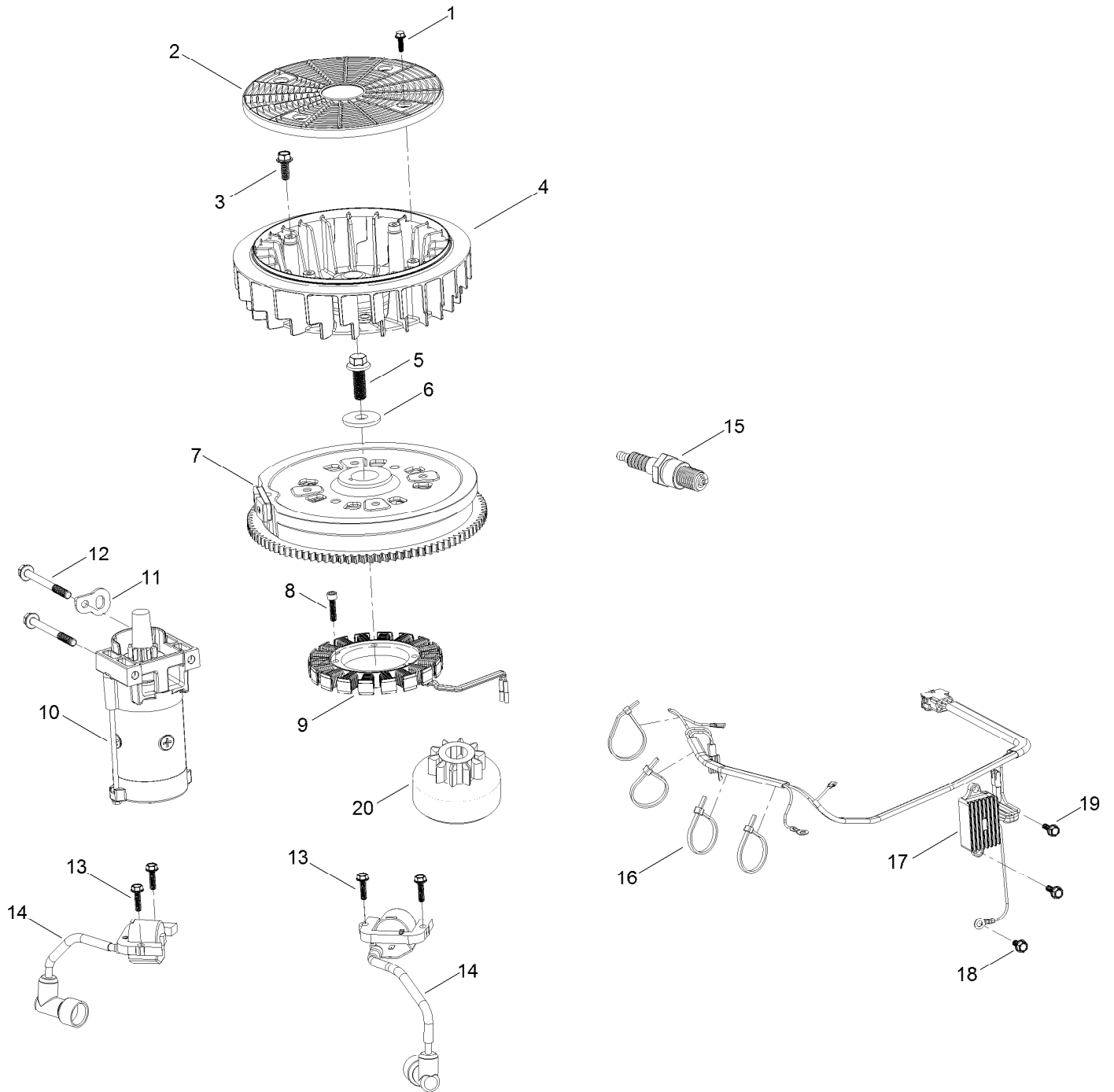
# Air Intake and Filtration Assembly with Non-Canister Style Air Filter



## Air Intake and Filtration Assembly with Non-Canister Style Air Filter (continued)

<i>Ref.</i>	<i>Part Number</i>	<i>Qty.</i>	<i>Description</i>	<i>Ref.</i>	<i>Part Number</i>	<i>Qty.</i>	<i>Description</i>
1	127-9235	1	Tube-Breather	5	127-9187	1	Clamp-Hose
2	127-9234	2	Clamp-Hose	6	120-4236	4	Nut-Flange
3	127-9252	1	Filter-Air, Complete	7	127-9047	1	Manifold-Filter, Air
3:1	127-9288	1	Filter-Pre, Foam	8	127-9251	1	Gasket-Carburetor
4	127-9253	1	Hose-Fuel				

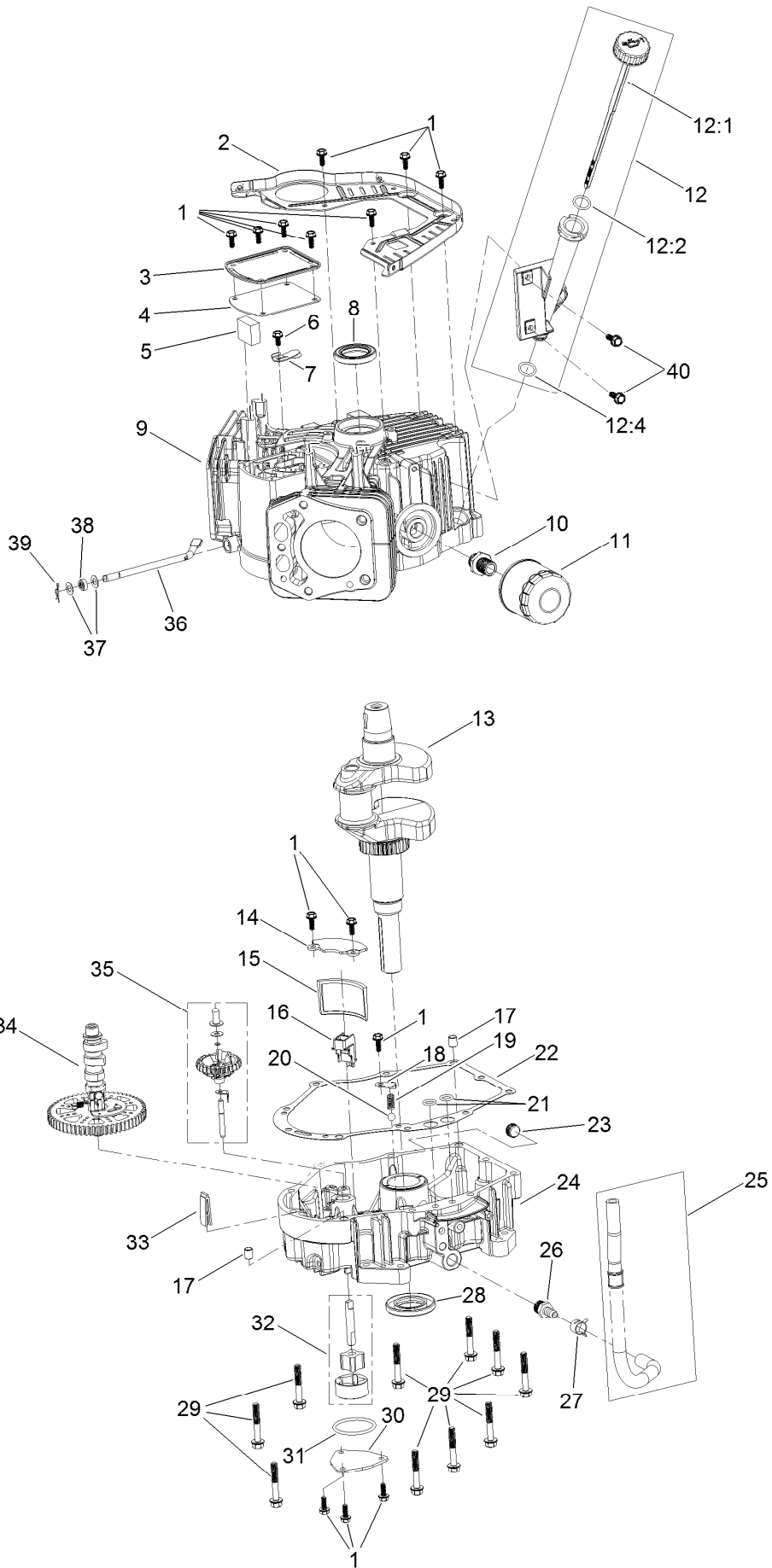
# Ignition and Electrical Assembly



## Ignition and Electrical Assembly (continued)

<i>Ref.</i>	<i>Part Number</i>	<i>Qty.</i>	<i>Description</i>	<i>Ref.</i>	<i>Part Number</i>	<i>Qty.</i>	<i>Description</i>
1	127-9197	4	Screw-HWH	12	120-4231	2	Screw-HHF
2	127-9198	1	Screen-Rotating	13	121-0007	4	Bolt-Flange
3	127-9199	4	Screw-HWH	14	127-9216	2	Ignition Coil ASM
4	127-9200	1	Fan-Cooling	15	81-3250	2	Spark Plug
5	127-9201	1	Screw-HWH	16	127-9220	4	Tie-Zip
6	127-9202	1	Washer-Flat	17	127-9219	1	Regulator-Voltage W/Harness
7	127-9306	1	Flywheel	18	120-4216	1	Screw-HHF
8	127-9210	4	Screw-HSH	19	120-4232	2	Screw-HHF
9	127-9211	1	Alternator	20	133-1562	1	Pinion-Starter
10	133-1564	1	Motor-Starter				
11	127-9208	1	Bracket-Lift				

# Crankcase and Crankshaft Assembly

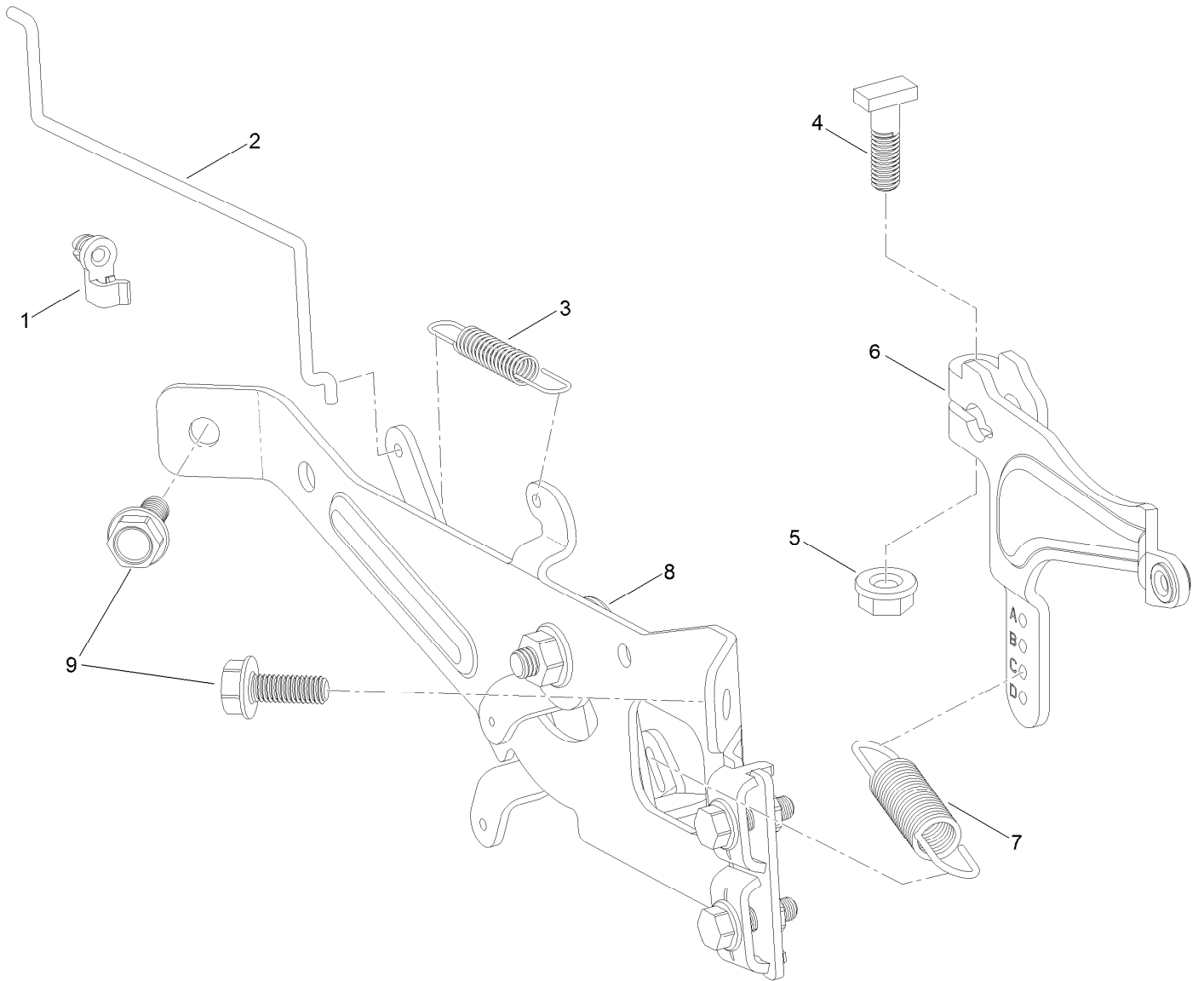




## Crankcase and Crankshaft Assembly (continued)

<i>Ref.</i>	<i>Part Number</i>	<i>Qty.</i>	<i>Description</i>	<i>Ref.</i>	<i>Part Number</i>	<i>Qty.</i>	<i>Description</i>
1	120-4232	14	Screw-HHF	20	127-9266	1	Valve-Ball
2	127-9212	1	Baffle	21	120-4262	2	O-Ring
3	127-9213	1	Cover-Breather	22	127-9267	1	Gasket-Cover, Crankcase
4	127-9214	1	Gasket-Breather	23	120-4285	1	Plug-Drain
5	127-9215	1	Filter-Breather	24	127-9268	1	Cover-Crankcase
6	120-4216	1	Screw-HHF	25	127-9293	1	Oil Drain Hose ASM
7	127-9217	1	Valve-Breather	26	127-9275	1	Fitting-Hose
8	120-4267	1	Seal-Oil	27	127-9276	1	Clamp-Hose
9	127-9223	1	Crankcase	28	127-9271	1	Seal
10	127-9221	1	Fitting-Threaded, Oil Filter	29	121-0473	10	Screw-HHF
11	120-4276	1	Filter-Oil	30	127-9274	1	Cover-Oil Pump
12	127-9218	1	Oil Tube ASM	31	127-9273	1	O-Ring
12:1	127-9283	1	Dipstick	32	127-9272	1	Oil Pump ASM
12:2	127-9284	1	O-Ring	33	120-4275	1	Deflector-Oil, Rubber
12:4	127-9286	1	O-Ring	34	133-1568	1	Camshaft
13	127-9255	1	Crankshaft	35	133-1569	1	Governor ASM
14	127-9261	1	Cover-Screen, Oil	36	127-9238	1	Rod-Governor
15	127-9262	1	Screen-Oil	37	120-4258	2	Washer-Plain
16	127-9263	1	Retainer-Screen	38	120-4257	1	Seal-Oil
17	120-4274	2	Pin-Dowel	39	120-4256	1	Pin-Hair
18	127-9264	1	Plate-Retainer	40	120-4232	2	Screw-HHF
19	127-9265	1	Spring				

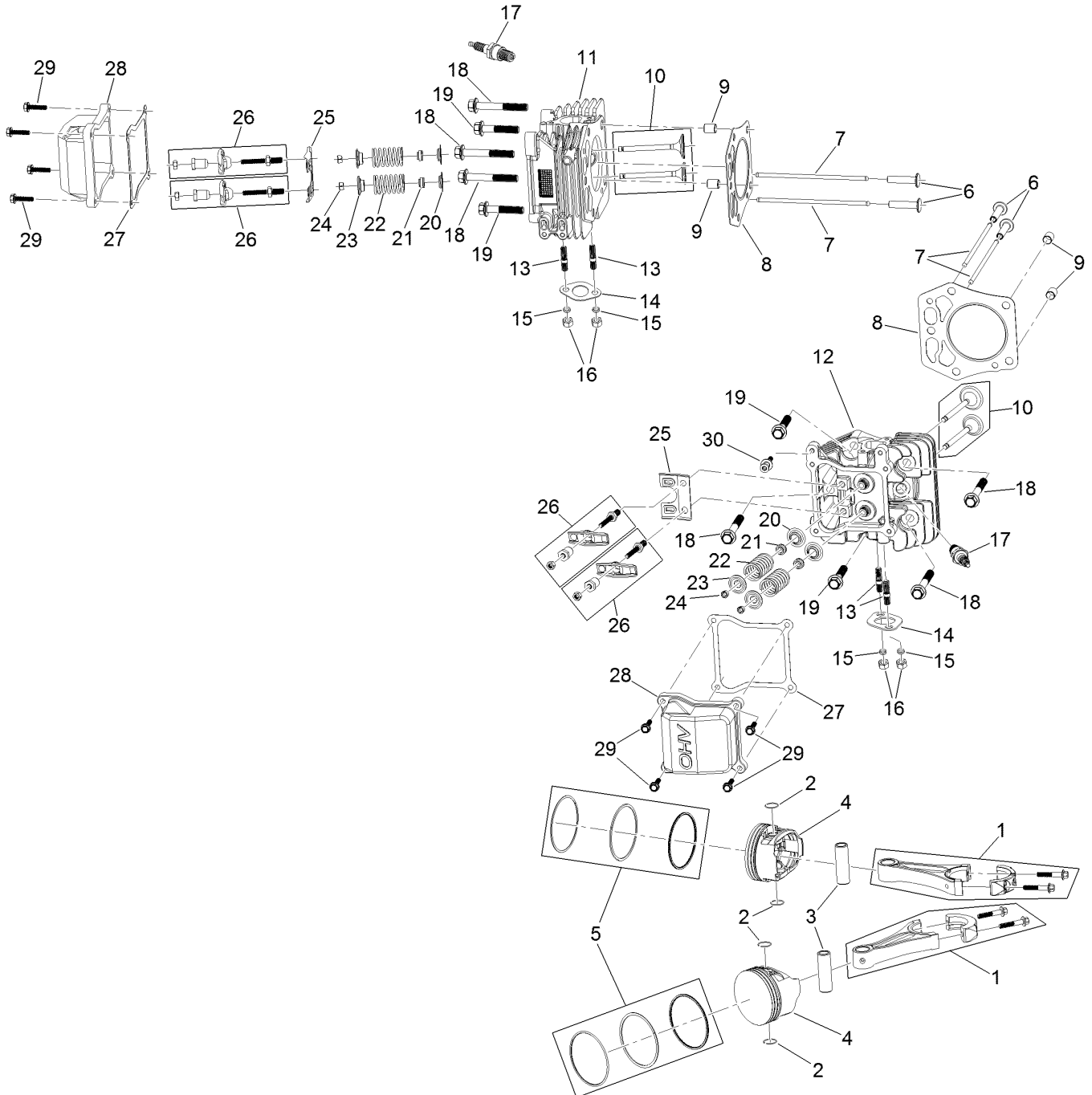
# Governor Control Assembly



## Governor Control Assembly (continued)

<i>Ref.</i>	<i>Part Number</i>	<i>Qty.</i>	<i>Description</i>	<i>Ref.</i>	<i>Part Number</i>	<i>Qty.</i>	<i>Description</i>
1	127-9250	1	Clip-Linkage	6	127-9239	1	Arm-Governor
2	127-9242	1	Linkage-Choke	7	127-9240	1	Spring-Governor
3	127-9241	1	Spring-Governor	8	133-1570	1	Control Plate ASM
4	120-4238	1	Bolt-Arm, Governor	9	120-4232	2	Screw-HHF
5	120-4236	1	Nut-Flange				

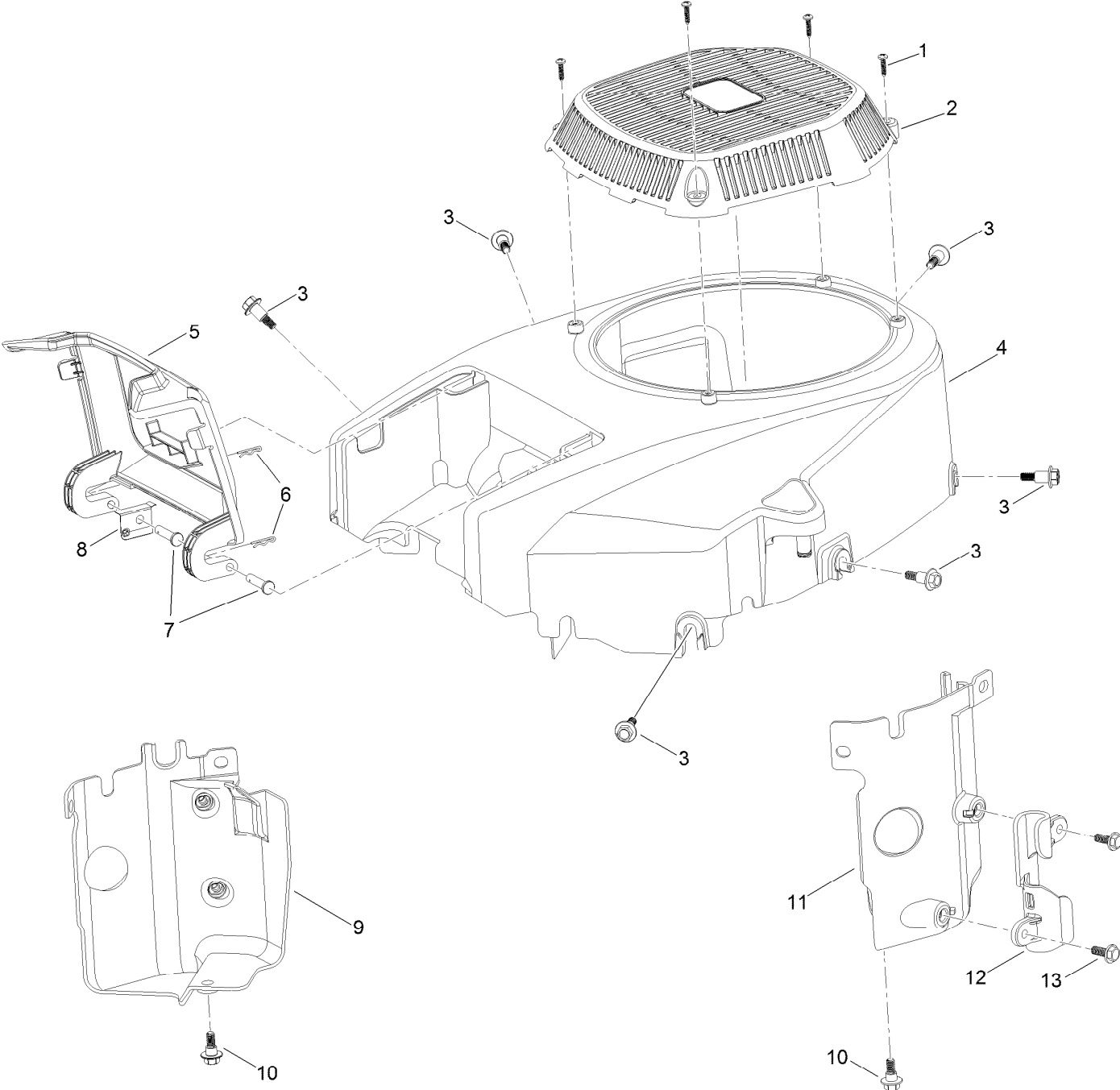
# Piston and Cylinder Head Assembly



## Piston and Cylinder Head Assembly (continued)

<i>Ref.</i>	<i>Part Number</i>	<i>Qty.</i>	<i>Description</i>	<i>Ref.</i>	<i>Part Number</i>	<i>Qty.</i>	<i>Description</i>
1	127-9256	2	Connecting Rod ASM	16	121-0199	4	Nut-HH
2	127-9258	4	Clip-Pin, Piston	17	81-3250	2	Spark Plug
3	127-9257	2	Pin-Piston	18	127-9231	6	Screw-HWH
4	127-9259	2	Piston	19	127-9232	4	Screw-HWH
5	127-9260	2	Piston Ring Set	20	120-4303	4	Seat-Spring, Valve
6	127-9224	4	Lifter-Valve	21	120-4304	4	Seal-Stem, Valve
7	127-9225	4	Rod-Push	22	120-4305	4	Spring-Valve
8	127-9226	2	Gasket-Head, Cylinder	23	120-4306	4	Retainer-Spring, Valve
9	127-9227	4	Pin-Dowel	24	120-4307	4	Keeper-Valve
10	127-9228	2	Valve Set	25	127-9233	2	Plate-Guide, Push Rod
11	127-9229	1	Head-Cylinder	26	127-9294	4	Rocker Arm ASM
12	127-9254	1	Head-Cylinder	27	127-9295	2	Gasket-Valve Cover
13	127-9236	4	Stud	28	127-9050	2	Cover-Valve
14	120-4317	2	Gasket-Exhaust	29	120-4225	8	Screw-HHF
15	127-9279	4	Washer-Lock, Split	30	120-4214	1	Screw-Shoulder, HH

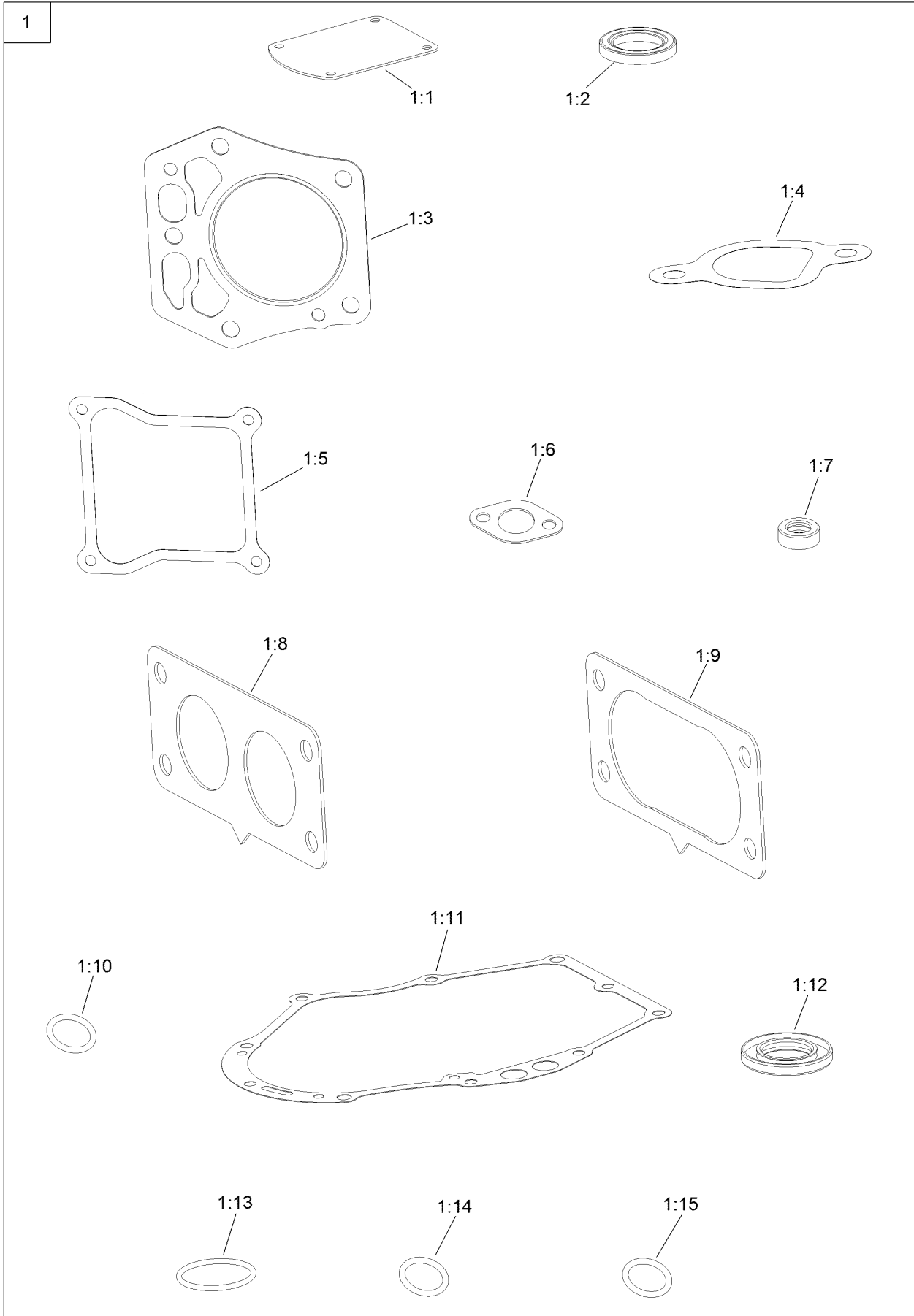
# Blower Housing Assembly



## Blower Housing Assembly (continued)

<i>Ref.</i>	<i>Part Number</i>	<i>Qty.</i>	<i>Description</i>	<i>Ref.</i>	<i>Part Number</i>	<i>Qty.</i>	<i>Description</i>
1	133-1571	4	Screw-PPH, Plastic	8	127-9281	1	Plate-Spring
2	127-9045	1	Cover-Fan	9	127-9049	1	Baffle-Air, Left
3	127-9196	6	Screw-Shoulder, HWH	10	120-4210	2	Screw-Shoulder, HHF
4	133-1572	1	Shroud-Engine	11	127-9048	1	Baffle-Air, Right
5	127-9046	1	Door-Filter, Air	12	127-9287	1	Cleat-Hose
6	127-9280	2	Pin-Hair	13	120-4232	2	Screw-HHF
7	127-9282	2	Pin				

# Gasket and Seal Kit Assembly

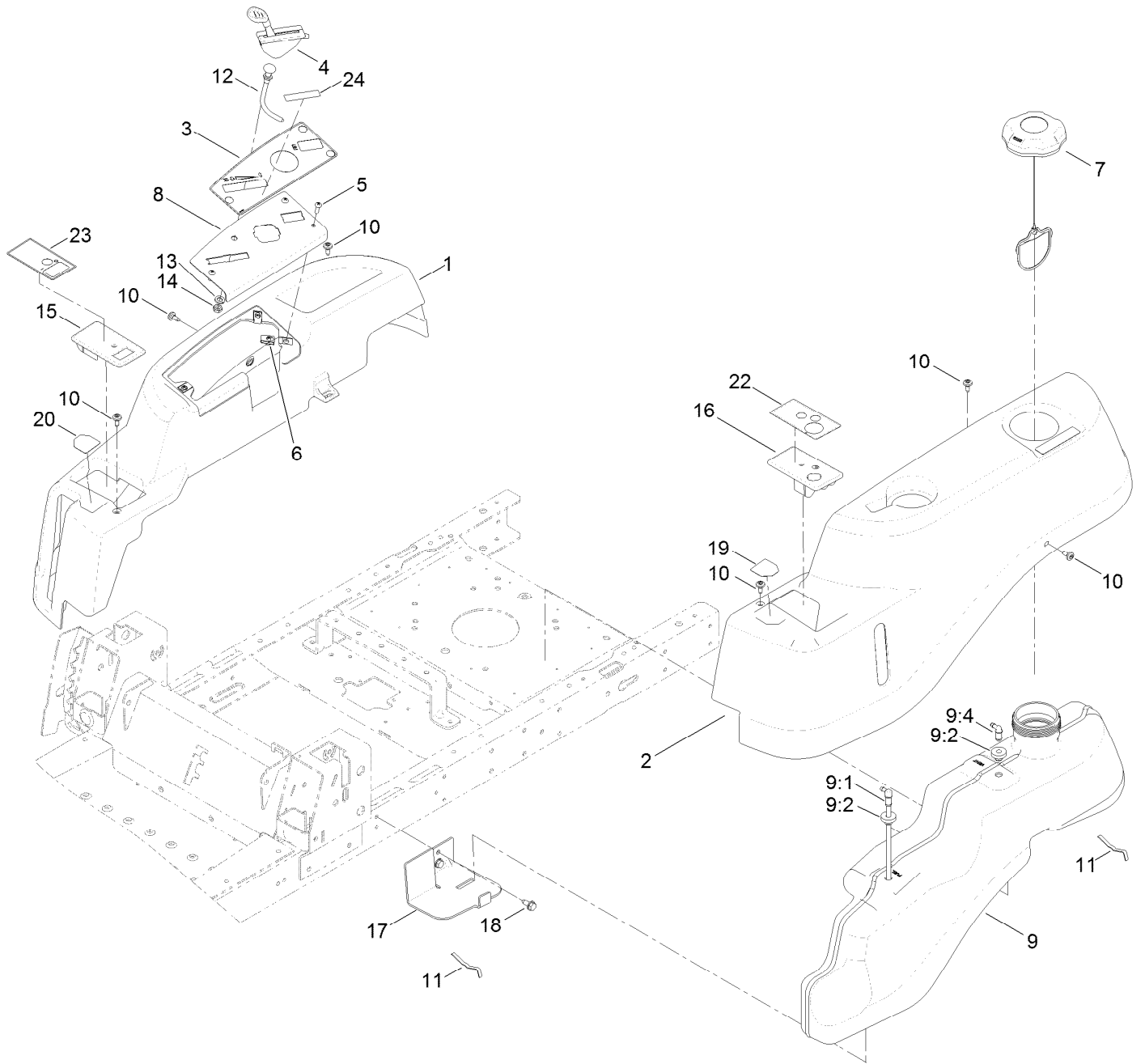




## Gasket and Seal Kit Assembly (continued)

<i>Ref.</i>	<i>Part Number</i>	<i>Qty.</i>	<i>Description</i>	<i>Ref.</i>	<i>Part Number</i>	<i>Qty.</i>	<i>Description</i>
1	127-9296	1	Gasket And Seal Kit	1:8	127-9246	2	Gasket-Carburetor
1:1	127-9214	1	Gasket-Breather	1:9	127-9251	1	Gasket-Carburetor
1:2	120-4267	1	Seal-Oil	1:10	120-4262	2	O-Ring
1:3	127-9226	2	Gasket-Head, Cylinder	1:11	127-9267	1	Gasket-Cover, Crankcase
1:4	127-9230	2	Gasket-Intake	1:12	127-9271	1	Seal
1:5	127-9295	2	Gasket-Valve Cover	1:13	127-9273	1	O-Ring
1:6	120-4317	2	Gasket-Exhaust	1:14	127-9284	1	O-Ring
1:7	120-4257	1	Seal-Oil	1:15	127-9286	1	O-Ring

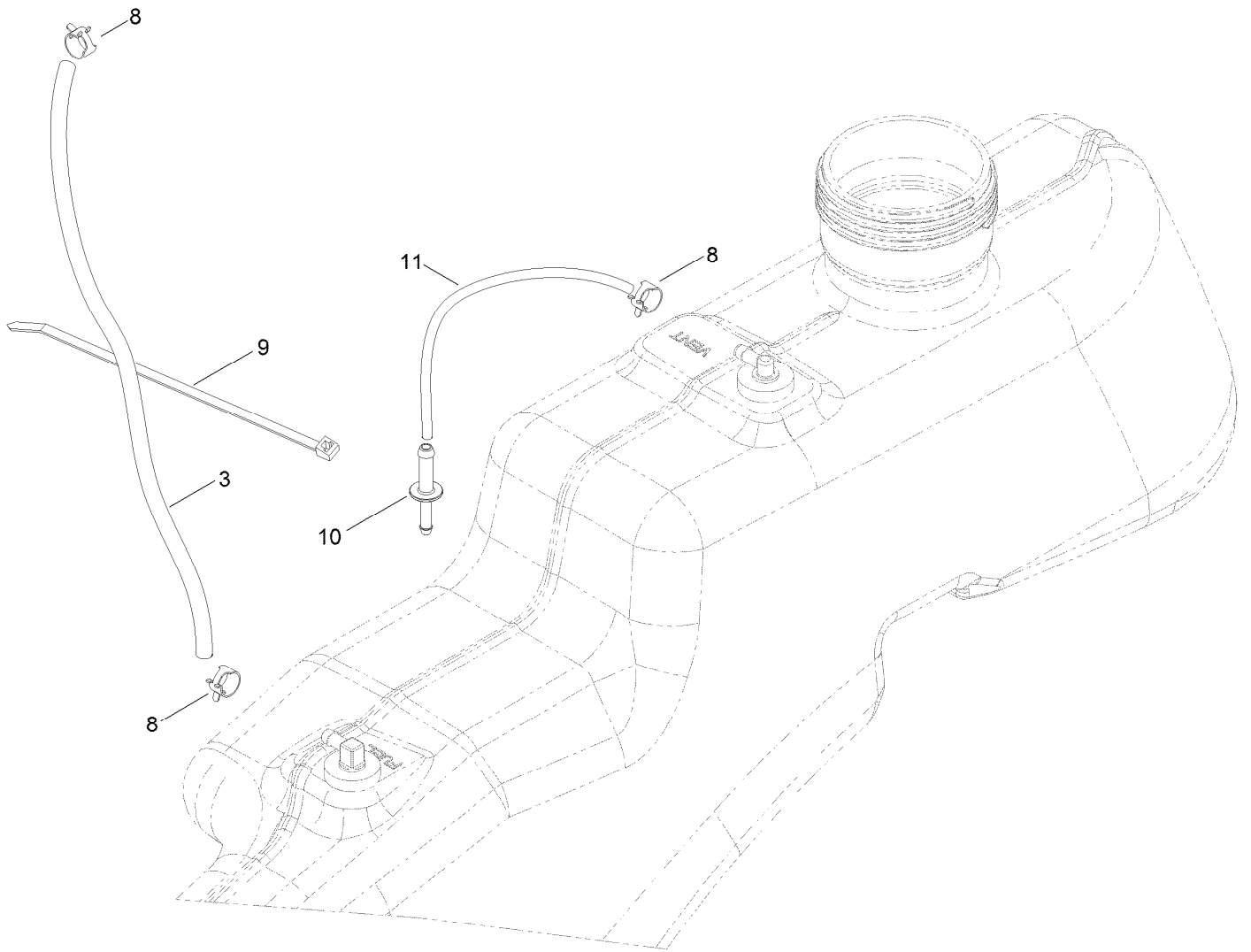
# Body Styling and Fuel Tank Assembly



## Body Styling and Fuel Tank Assembly (continued)

<i>Ref.</i>	<i>Part Number</i>	<i>Qty.</i>	<i>Description</i>	<i>Ref.</i>	<i>Part Number</i>	<i>Qty.</i>	<i>Description</i>
1	119-3335	1	Pod-RH	11	609830	2	Spring
2	119-3334	1	Pod-LH	12	112-9753	1	Cable-Choke
3	121-0772	1	Decal-Panel, Control	13	3253-21	1	Washer-Lock
4	121-0769	1	Cable-Throttle	14	3220-3	1	Nut-HJ
5	3258-166	3	Screw-PRH	15	130-7041	1	Cover-RH
6	107069	3	Clip	16	130-7042	1	Cover-LH
7	120-5461	1	Cap-Fuel, Ratcheting	17	119-3476-03	1	Support-Tank, Front
8	119-3378-03	1	Plate-Control	18	32144-70	2	Screw-HWHTF
9	119-3324	1	Fuel Tank ASM	19	131-3621	1	Decal-Nmir
9:1	121-0793	1	Connector-Elbow, 90 DEG	20	131-3620	1	Decal-Control, Pedal
9:2	46-6560	2	Bushing	22	131-3665	1	Decal-Keychoice
9:4	117-7400	1	Fitting-Plastic	23	131-3955	1	Decal-Brake, Parking
10	120-7950	8	Screw-Shoulder	24	132-0904	1	Decal-Shutdown

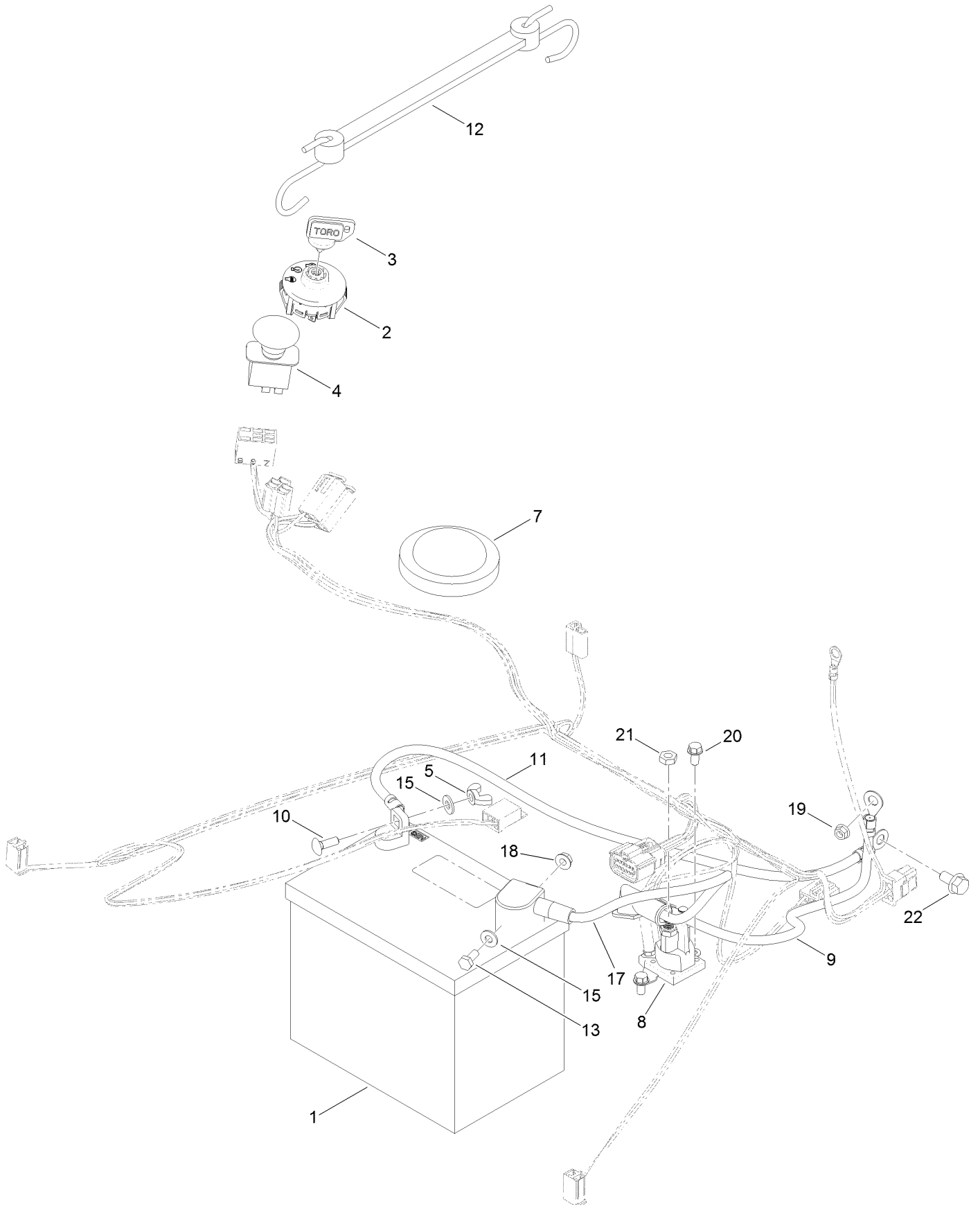
# Fuel Delivery Assembly



## Fuel Delivery Assembly (continued)

<i>Ref.</i>	<i>Part Number</i>	<i>Qty.</i>	<i>Description</i>	<i>Ref.</i>	<i>Part Number</i>	<i>Qty.</i>	<i>Description</i>
3	109-0281	1	Hose-Fuel	10	117-5399	1	Adaptor-Orifice
8	2412-98	3	Clamp-Hose	11	110-1876	1	Hose-Fuel
9	614249	1	Tie-Cable				

# Battery and Electrical Assembly



## Battery and Electrical Assembly (continued)

<i>Ref.</i>	<i>Part Number</i>	<i>Qty.</i>	<i>Description</i>	<i>Ref.</i>	<i>Part Number</i>	<i>Qty.</i>	<i>Description</i>
1	105-1692	1	Battery	12	104-2466	1	Holddown-Battery
2	117-2221	1	Switch-Ignition	13	321-3	1	Screw-HH
3	63-8360	1	Key-Ignition	15	3256-22	2	Washer-Flat
4	114-0279	1	Switch-PTO, On-On-(On)	17	119-8897	1	Cable-Battery, Red
5	32103-22	1	Nut-Wing	18	32128-33	1	Nut-HF
7	100-3524	1	Switch-Seat	19	33003-00	1	Nut-HF
8	117-1197	1	Solenoid	20	32144-4	2	Screw-HWH
9	121-0711	1	Cable-Battery, Positive	21	3220-2	2	Nut-Jam
10	3229-1	1	Bolt-CARR	22	3234-14	1	Screw-HHF
11	119-8899	1	Cable-Battery, Black				

# Wire Harness Assembly

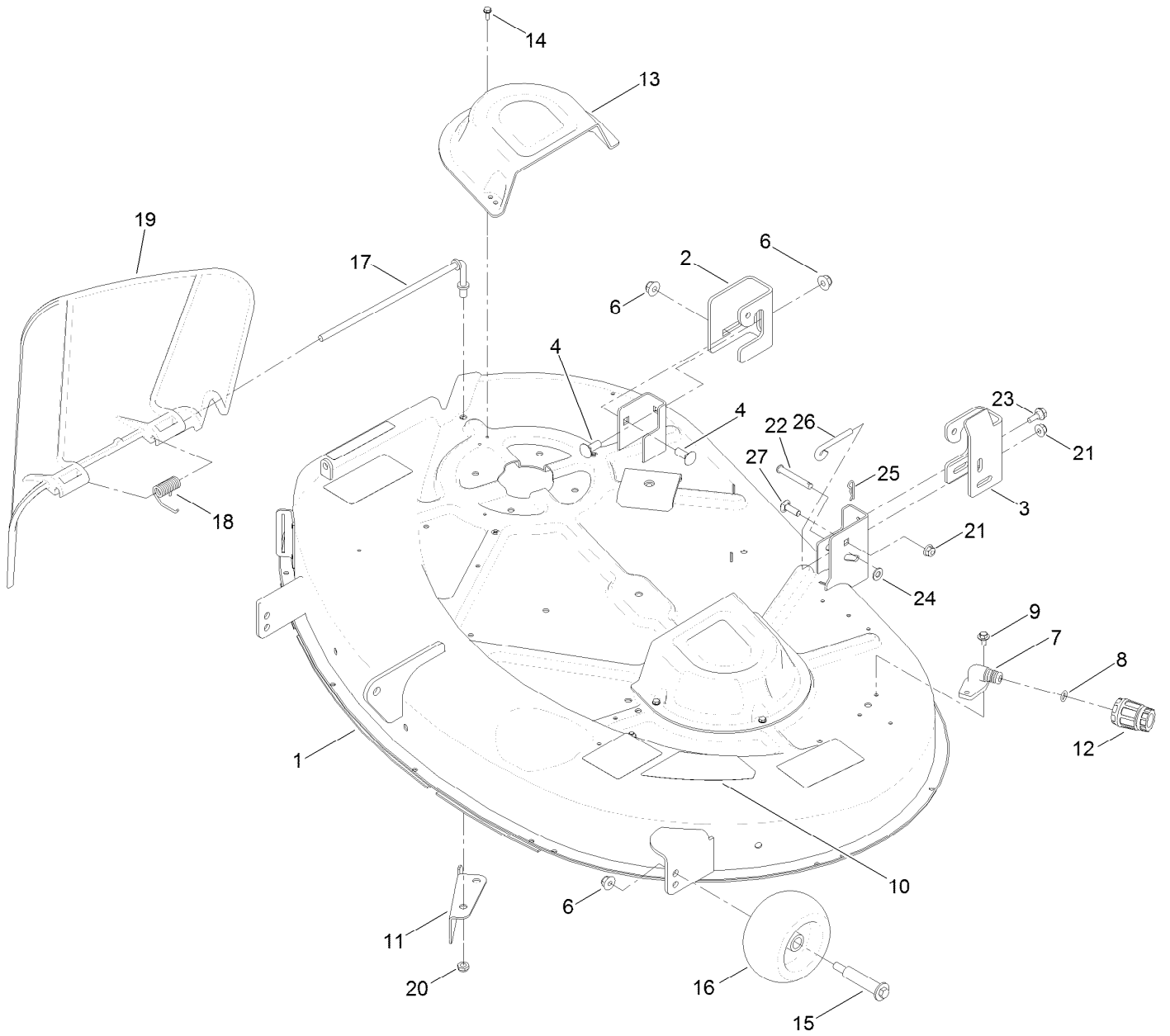




## Wire Harness Assembly (continued)

<i>Ref.</i>	<i>Part Number</i>	<i>Qty.</i>	<i>Description</i>	<i>Ref.</i>	<i>Part Number</i>	<i>Qty.</i>	<i>Description</i>
1	131-3639	1	Key-Toro	3	130-6874	1	Switch-Rocker, (On)-Off-(On)
2	132-9361	1	Harness-Wire	4	119-3068	1	Switch-Momentary, N.O.
2:1	109103	1	Fuse-Blade, 30 Amp	5	131-4136	1	Light-Indicator
2:2	109102	1	Fuse-Blade, 25 Amp				

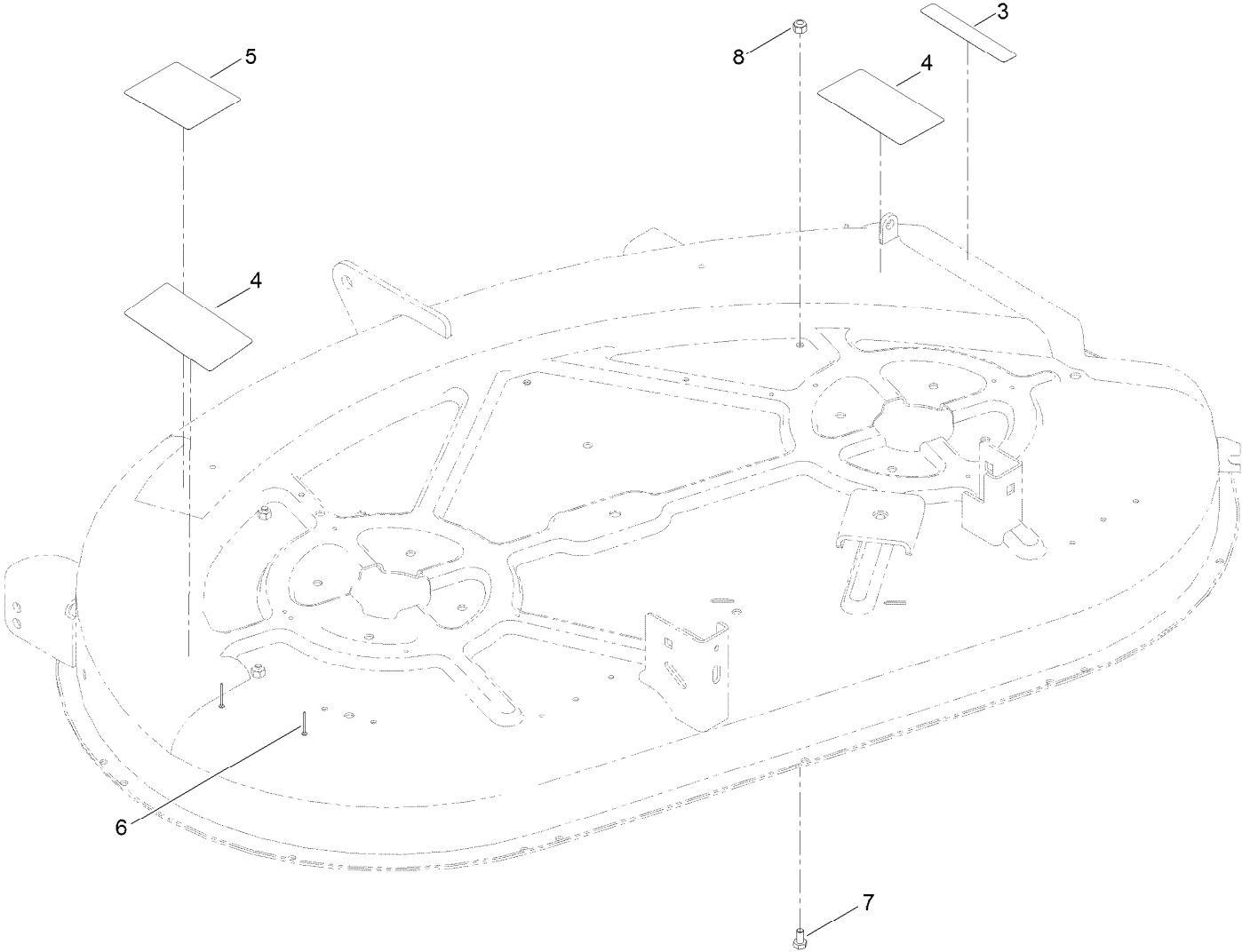
# 42 Inch Deck Assembly



## 42 Inch Deck Assembly (continued)

<i>Ref.</i>	<i>Part Number</i>	<i>Qty.</i>	<i>Description</i>	<i>Ref.</i>	<i>Part Number</i>	<i>Qty.</i>	<i>Description</i>
1	131-3604	1	42 Inch Deck And Decal ASM	15	112-3977	2	Bolt-Shoulder
2	131-4138	1	Bracket-Hanger, RH	16	1-603299	2	Roller-Scalp, Anti
3	131-1091	1	Bracket-Hanger, LH	17	112-4026	1	Rod-Pivot
4	3231-2	2	Bolt-CARR	18	110-6694	1	Spring-Torsion
6	104-8301	4	Nut-HF, NI	19	112-3951	1	Deflector
7	95-2747	1	Fitting-Washout	20	3296-59	1	Nut-Lock, NI
8	46-6290	1	O-Ring	21	104-8300	2	Nut-HF, NI
9	46-8560	2	Screw-HHFTF	22	110-0618	1	Pin-Clevis
10	117-1222	1	Decal	23	120-7024	1	Screw-Shoulder, HHF
11	112-3983-03	1	Baffle-Cutoff	24	3256-23	1	Washer-Plain
12	95-3270	1	Connector-Hose	25	1-806003	1	Pin-Cotter
13	108-7889	2	Cover-Belt	26	131-0955	1	Rod-Level, Deck
14	32144-1	6	Screw-Taptite	27	3230-22	1	Screw-CARR

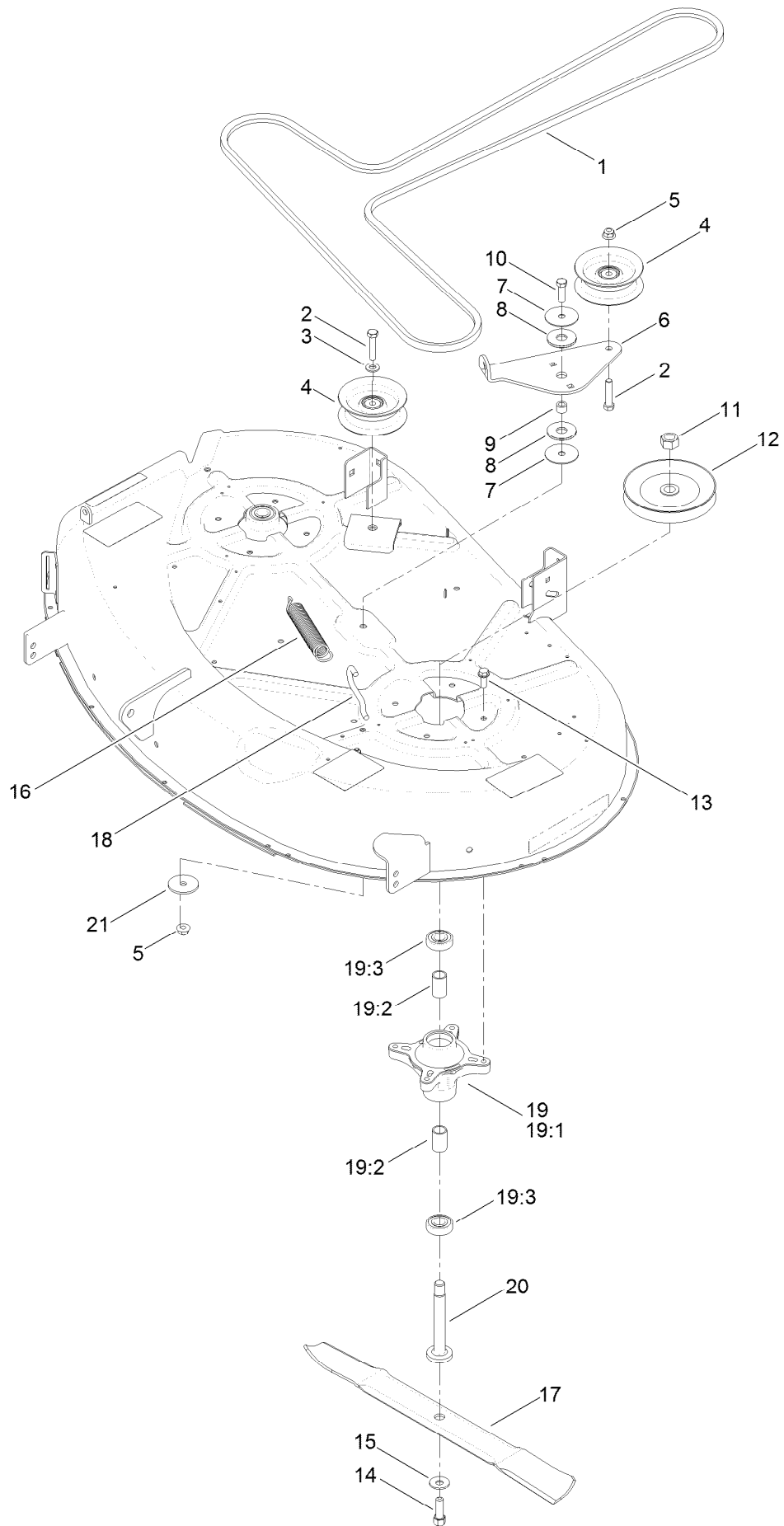
# 42 Inch Deck Decal Assembly No. 131-3604



## 42 Inch Deck Decal Assembly No. 131-3604 (continued)

<i>Ref.</i>	<i>Part Number</i>	<i>Qty.</i>	<i>Description</i>	<i>Ref.</i>	<i>Part Number</i>	<i>Qty.</i>	<i>Description</i>
3	93-7009	1	Decal-Danger	6	3290-282	2	Rivet-Blind
4	132-0872	2	Decal-Danger, Deck	7	321-2	3	Screw-HH
5	105-7015	1	Decal-Routing, Belt	8	3296-42	3	Nut-Lock, NI

# 42 Inch Deck, Belt and Blade Assembly



## 42 Inch Deck, Belt and Blade Assembly (continued)

<i>Ref.</i>	<i>Part Number</i>	<i>Qty.</i>	<i>Description</i>	<i>Ref.</i>	<i>Part Number</i>	<i>Qty.</i>	<i>Description</i>
1	119-8819	1	V-Belt	13	32144-41	8	Screw-Taptite
2	323-9	2	Screw-HH	14	26-0671	2	Screw-HH
3	3256-24	1	Washer-Flat	15	3290-465	2	Washer-Belleville
4	106-2175	2	Pulley-Idler, Flat	16	106-2177	1	Spring-Extension
5	104-8301	2	Nut-HF, NI	17	131-3939-03	2	Blade-High Lift
6	114-8540	1	Arm-Idler	18	88-5970	1	Hook-Return, Spring
7	120-2229	2	Washer	19	121-0751	2	Spindle ASM
8	114-0463	2	Washer-Friction, Composite	19:1	117-7267	1	Spindle
9	115-4986	1	Spacer	19:2	120-7935	2	Spacer
10	323-7	1	Screw-HH	19:3	38-7820	2	Bearing-Ball
11	3219-6	2	Nut-Hex	20	117-7268	2	Shaft-Spindle
12	125-5574	2	Pulley	21	63-7400	1	Washer-Rebound

# Attachments and Accessories

## For 74784 TimeCutter SW 4200 Riding Mower

<b>Product Name</b>	<b>Model/Part</b>
42in Blowout Ring Kit.....	114-1620
Hourmeter Kit .....	116-5461
All Season Synthetic Oil.....	117-0066
Fuel Stabilizer (4oz).....	117-0089
Fuel Stabilizer (16oz).....	117-0090
Seat With Armrests-18in.....	119-8830
Striping Kit .....	120-7905
Jack Mount Kit .....	126-5251
Jack Kit.....	127-6666
Replacement Blade Kit .....	131-3939-03P
Attachment Mount Kit .....	131-3966
42in Recycler Kit.....	131-4182
Deluxe Seat Kit.....	131-7699
Floor Mat Kit .....	132-6920
HD Air Cleaner Kit .....	136-7860
10w30 4-cycle Engine Oil (32oz Bottle) .....	38280
Toro 4-cycle SAE 30 Oil (32oz Bottle) .....	38903
Storage Cover .....	490-7516
Sunshade Kit.....	79011
Cargo Carrier.....	79040
42in Bagger .....	79391



**Notes:**

**Notes:**

**Notes:**



**Count on it.**