



**Count on it.**

**Parts Catalog**

**TimeCutter® SW 4200**

**Riding Mower**

Model No. 74784—Serial No. 315000001 and Up



# Ordering Replacement Parts

To order replacement parts, please supply the part number, the quantity, and the description of each part desired.

## Understanding Reference Numbers

Each identified part in an illustration has a reference number. The reference number for a part also appears in the parts list, along with other information about the part.

This catalog uses two special reference number formats, one to indicate parts in a service assembly and another to indicate the quantity of a given part in an illustration.

## Service Assembly Reference Numbers

Parts in service assemblies have reference numbers in the form a:b. The a represents the reference number of the entire service assembly and the b represents a sequential number unique to each part within the service assembly.

For example, a wheel assembly might be identified by reference number 6, the tire by 6:1, the valve by 6:2, and the wheel by 6:3. When you order the assembly identified by reference number 6, you receive all parts identified by reference numbers 6:1, 6:2, and 6:3. However, you may also order any part individually. Reference numbers of this type appear in illustration and in parts lists.

## Reference Numbers Indicating Quantity

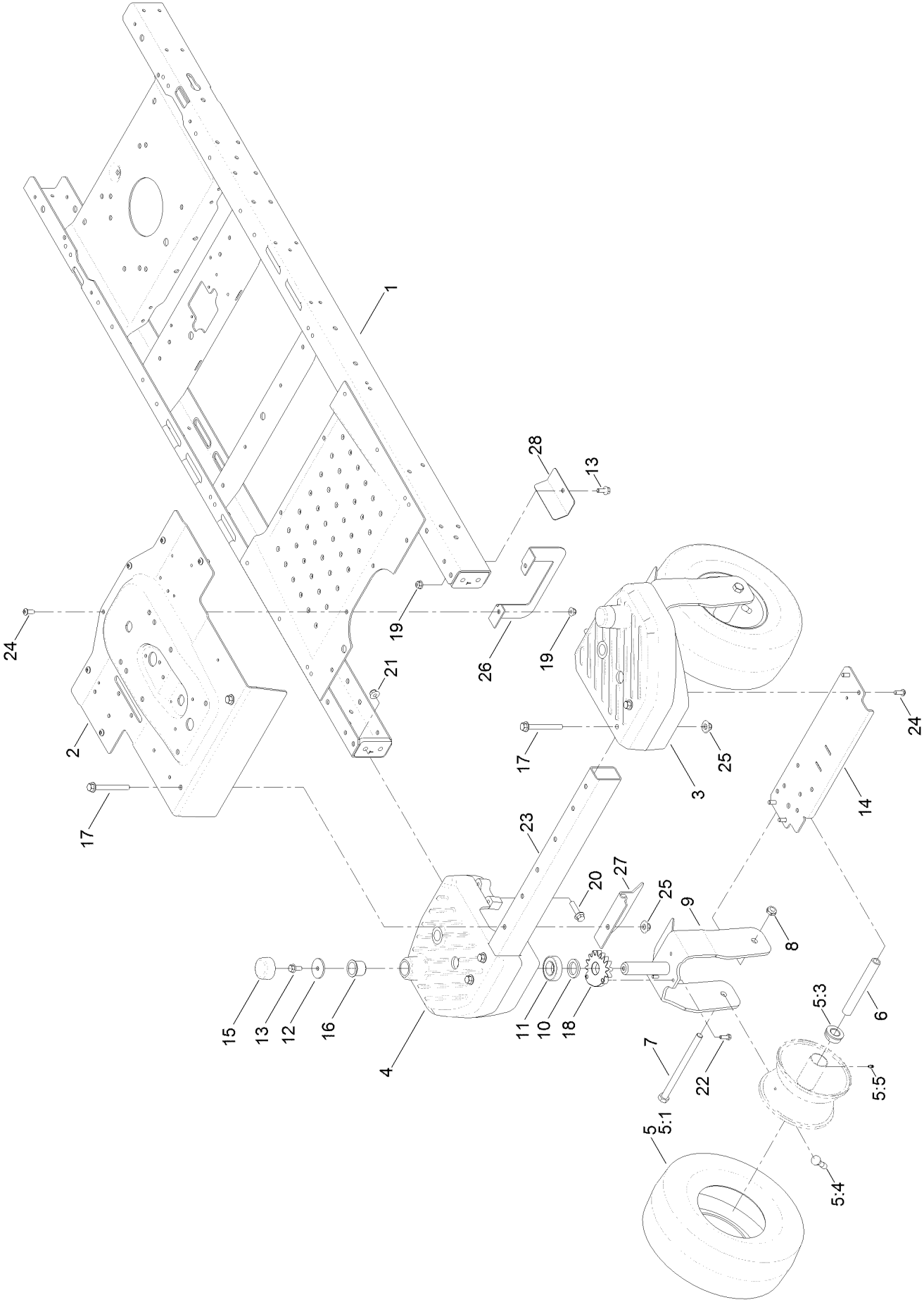
In an illustration, if a reference number indicates more than one part, the reference number has the form nX y. The n represents the quantity of the part, the X is the multiplication symbol, and the y represents the reference number.

For example, in an illustration, the reference number 2X 37 means that two of the parts identified by reference number 37 are indicated.

# Contents

Frame, Front Axle and Caster Wheel Assembly	4
Deck Lift Assembly	6
Motion Control Assembly	8
Brake Box Assembly	10
Seat Assembly	12
Belt and Idler Assembly	14
Steering Column Assembly	16
Steering Cable Assembly	18
Gear Assembly	20
Steering Assembly	22
Hydro Transaxle Drive and Rear Wheel Assembly	24
4 Ply Wheel and Tire Assembly No. 120-5523	26
2 Ply Wheel and Tire Assembly No. 131-3671	28
Left Hand Hydro Transaxle Assembly No. 119-3330	30
Right Hand Hydro Transaxle Assembly No. 119-3331	32
Clutch Assembly	34
Battery and Electrical Assembly	36
Wire Harness Assembly	38
Speed Control Assembly	40
Fuel Delivery Assembly	42
Engine and Muffler Assembly	44
Fuel System Assembly with Non-Canister Style Air Filter	46
Carburetor Assembly with Non-Canister Style Air Filter	48
Air Intake and Filtration Assembly with Non-Canister Style Air Filter	50
Ignition and Electrical Assembly	52
Crankcase and Crankshaft Assembly	54
Governor Control Assembly	56
Piston and Cylinder Head Assembly	58
Blower Housing Assembly	60
Gasket and Seal Kit Assembly	62
Body Styling and Fuel Pod Assembly	64
42 Inch Deck Assembly	66
42 Inch Deck Assembly No. 131-3604	68
42 Inch Deck, Belt and Blade Assembly	70
Attachments and Accessories	72

# Frame, Front Axle and Caster Wheel Assembly

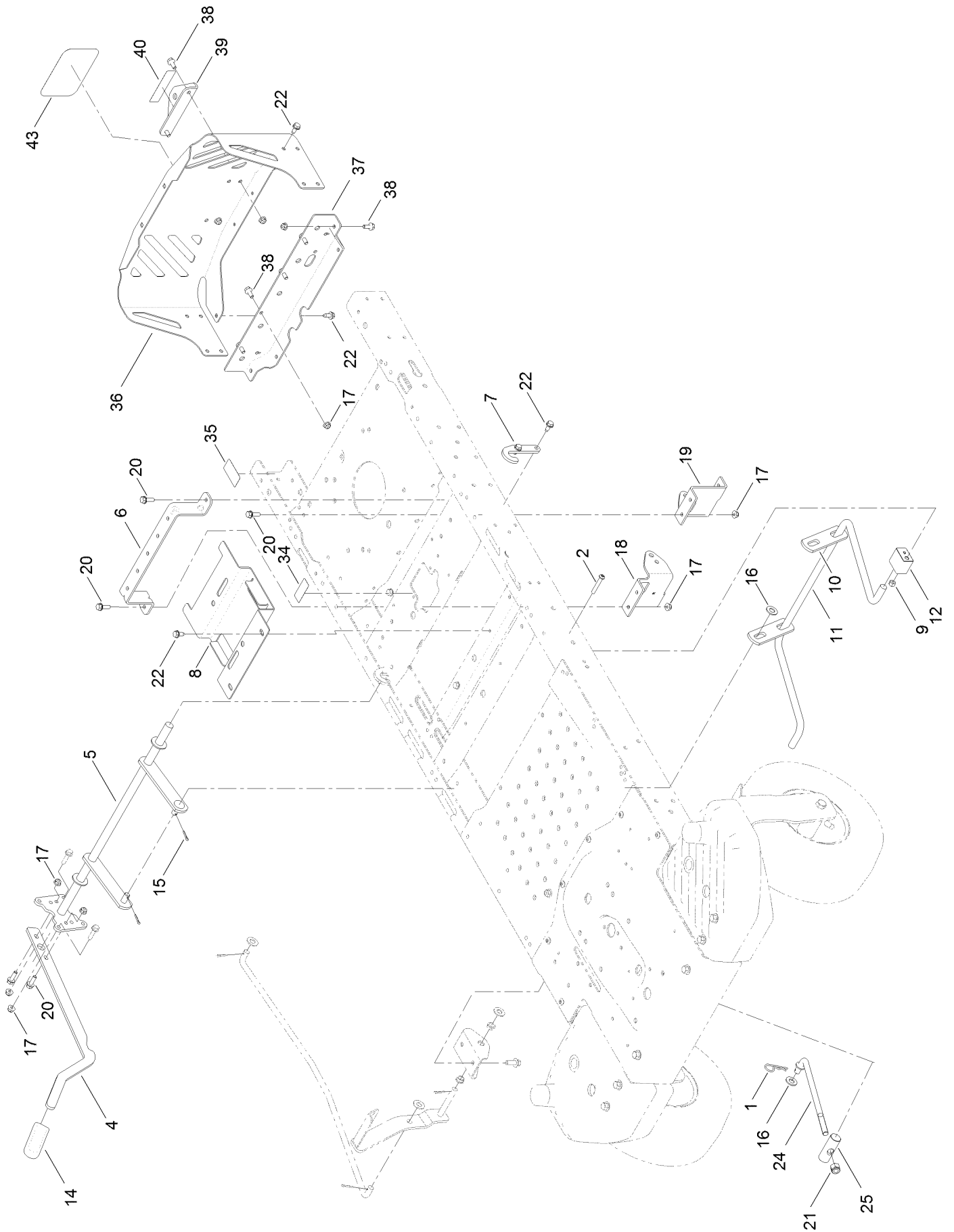


## Frame, Front Axle and Caster Wheel Assembly (continued)

<i>Ref.</i>	<i>Part Number</i>	<i>Qty.</i>	<i>Description</i>	<i>Ref.</i>	<i>Part Number</i>	<i>Qty.</i>	<i>Description</i>
1	130-0804-01	1	Frame ASM	12	131-1032	2	Washer-Flat
2	130-6931-05	1	Pan-Steer, Front	13	3234-47	3	Screw-HHF
3	130-0748-05	1	Housing-Spindle, LH	14	130-6983-03	1	Plate-Bridge, Narrow
4	130-0746-05	1	Housing-Spindle, RH	15	130-7015	2	Cap-Caster
5	119-3473	2	13 Inch Wheel And Tire ASM	16	126-1963	2	Bushing-Pivot
5:1	119-3471	1	Tire-13 Inch	17	115-7660	6	Screw-HHF
5:3	114-1640	2	Bushing-Flange	18	130-0689	2	Gear-Wheel, 15 Tooth
5:4	232-27	1	Stem-Valve	19	104-8300	7	Nut-HF, NI
5:5	302-5	1	Fitting-Grease	20	114-4681	4	Screw-HHF
5:99	232-46	1	Tube-Inner ●	21	104-8301	4	Nut-HF, NI
6	119-3475	2	Spanner	22	321-4	4	Screw-HH
7	325-37	2	Screw-HH	23	130-6902-03	1	Tube-Front, Narrow
8	3296-45	2	Nut-Lock, NI	24	131-4080	10	Screw-HSBH
9	130-0670-03	2	Caster Fork ASM	25	109-6658	6	Nut-Flange, NI
10	117-7394	2	Washer-Thrust	26	131-7745-03	1	Bracket-Upstop
11	109-3678	2	Bearing-Ball	27	132-0868-03	1	Guard-Front
				28	132-0901-03	1	Plate-Guard

● Not illustrated

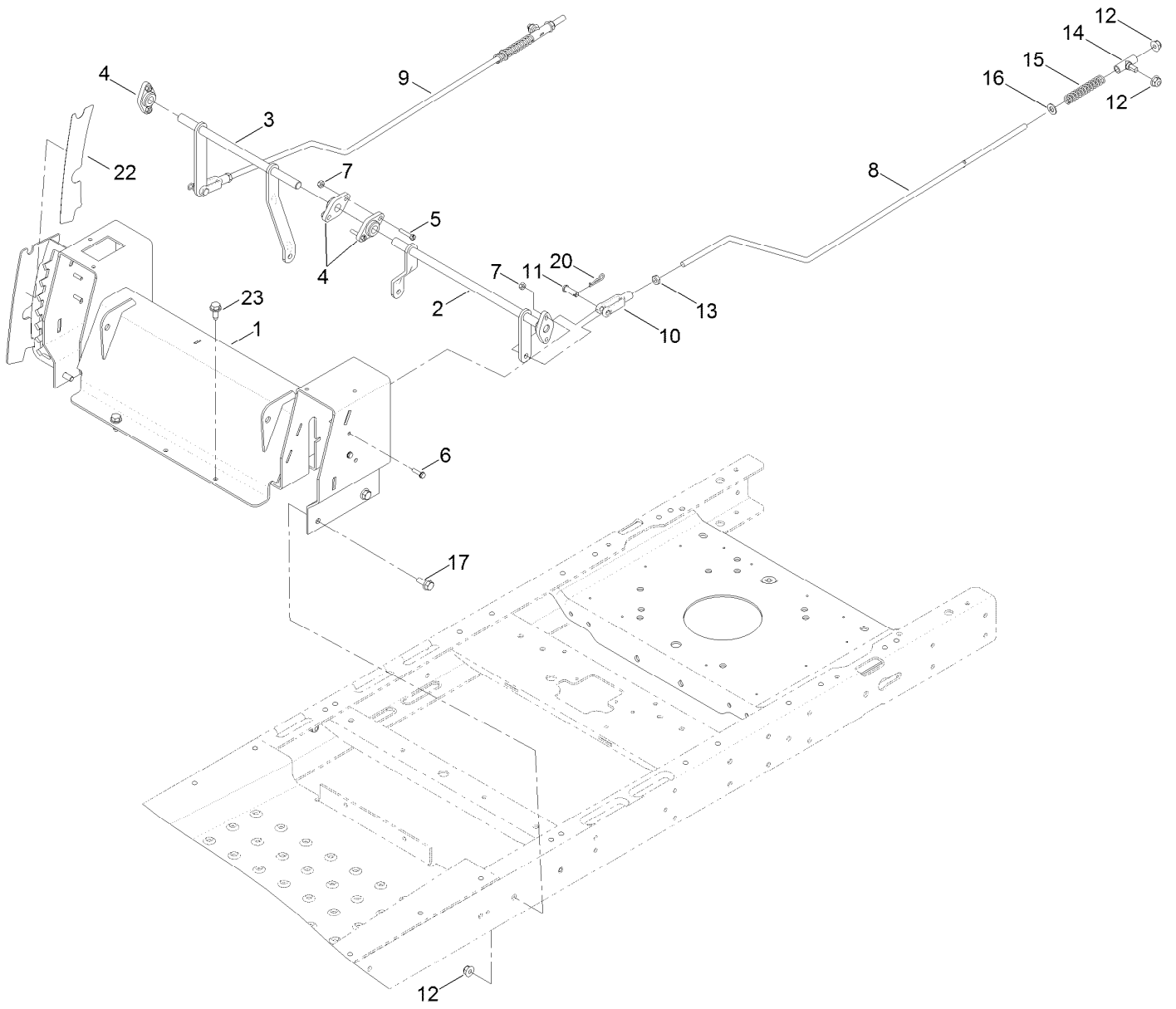
# Deck Lift Assembly



## Deck Lift Assembly (continued)

<i>Ref.</i>	<i>Part Number</i>	<i>Qty.</i>	<i>Description</i>	<i>Ref.</i>	<i>Part Number</i>	<i>Qty.</i>	<i>Description</i>
1	1-806005	1	Pin-Cotter	19	131-0902-01	1	Mount-Hydro, Front (LH)
2	120-5499	2	Screw-HSBH	20	3234-29	6	Screw-HHF
4	119-3427-03	1	Lever-Lift	21	3296-19	1	Nut-Hex
5	117-7346-03	1	Lift-Deck, Narrow	22	32144-70	16	Screw-HWHTF
6	119-3435-03	1	Brace-Seat, Rear (Narrow)	24	131-3945	1	Rod-Mount, Deck
7	119-8875	2	Bracket-Lift	25	119-8810	1	Pin-Pivot
8	131-0914-03	1	Bracket-Battery	34	121-5684	1	Decal-Location, Service Dealer
9	3296-29	2	Nut-Lock, NI	35	121-2989	2	Decal-Bypass
10	108-7840	2	Link-Lift	36	127-3353-03	1	Guard-Engine, Narrow
11	108-7839	1	Arm-Lift, Rear	37	130-6950-01	1	Crossmember-Rear, Narrow
12	108-7845	2	Block-Pivot	38	3234-47	8	Screw-HHF
14	1-633268	1	Grip-Lever	39	117-1232-03	1	Bracket-Hitch
15	3272-10	2	Pin-Cotter	40	131-4036	1	Decal
16	3256-26	3	Washer-Flat	43	99-4693	1	Decal
17	104-8300	14	Nut-HF, NI				
18	131-0901-01	1	Mount-Hydro, Front (RH)				

# Motion Control Assembly

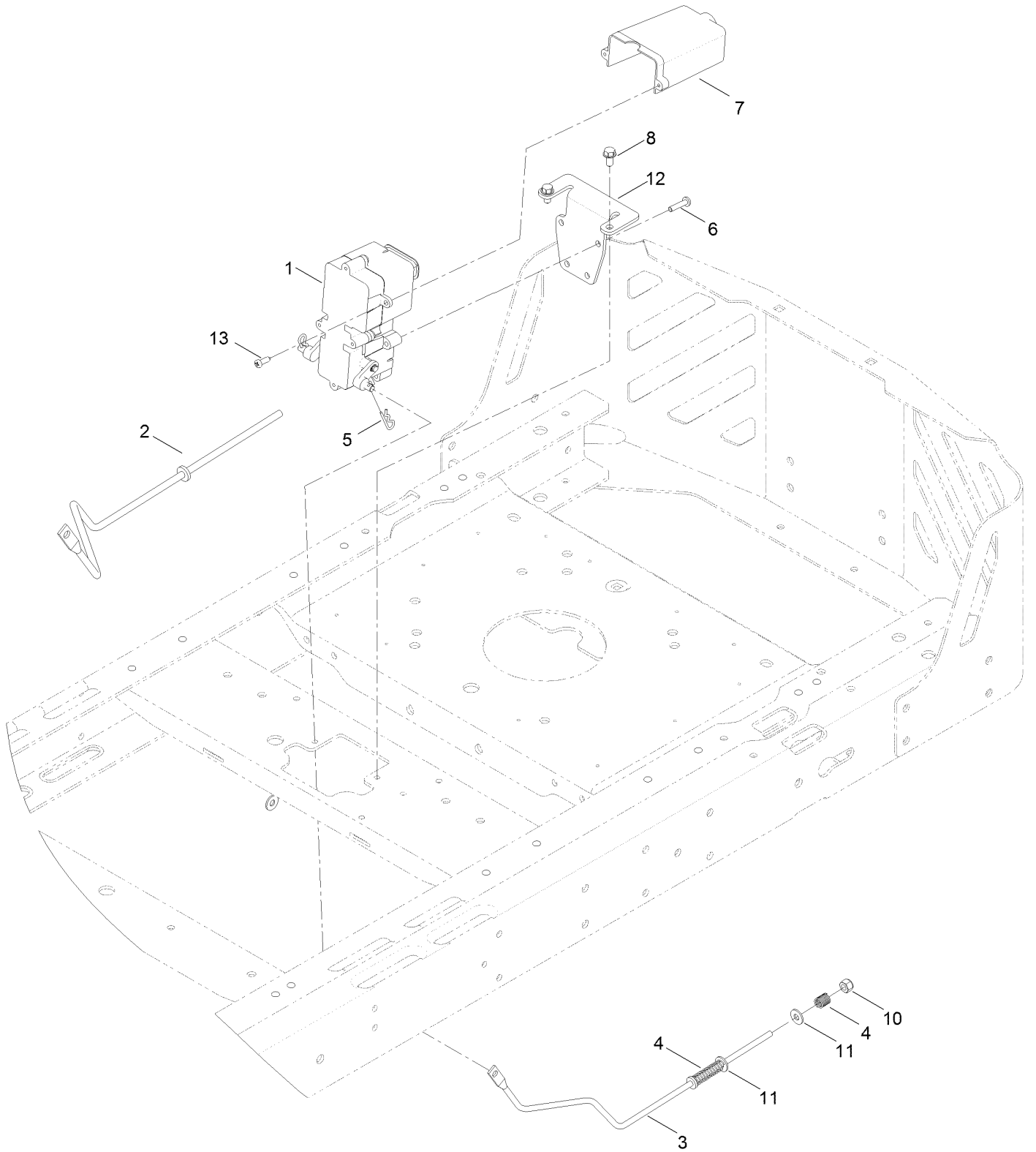




## Motion Control Assembly (continued)

<i>Ref.</i>	<i>Part Number</i>	<i>Qty.</i>	<i>Description</i>	<i>Ref.</i>	<i>Part Number</i>	<i>Qty.</i>	<i>Description</i>
1	130-6898-03	1	Control Box ASM	11	1-808280	2	Pin-Clevis
2	130-6903	1	Bellcrank-LH, Narrow	12	104-8300	8	Nut-HF, NI
3	130-6904	1	Bellcrank-RH, Narrow	13	3220-2	2	Nut-Jam
4	127-0146	4	Bearing-Flange	14	119-8842	2	Mount-Rod, Hydro
5	32105-12	2	Screw	15	1-603807	2	Spring-Return, Neutral
6	3290-126	4	Screw-HWH	16	3256-23	2	Washer-Plain
7	3296-2	6	Nut-Lock, NI	17	3234-47	4	Screw-HHF
8	125-1812	1	Rod-Hydro, LH	20	1-806003	2	Pin-Cotter
9	127-3378	1	Rod-Hydro, RH	22	119-8871	1	Decal-HOC
10	1-303105	2	Yoke-Adjustable	23	32144-70	2	Screw-HWHTF

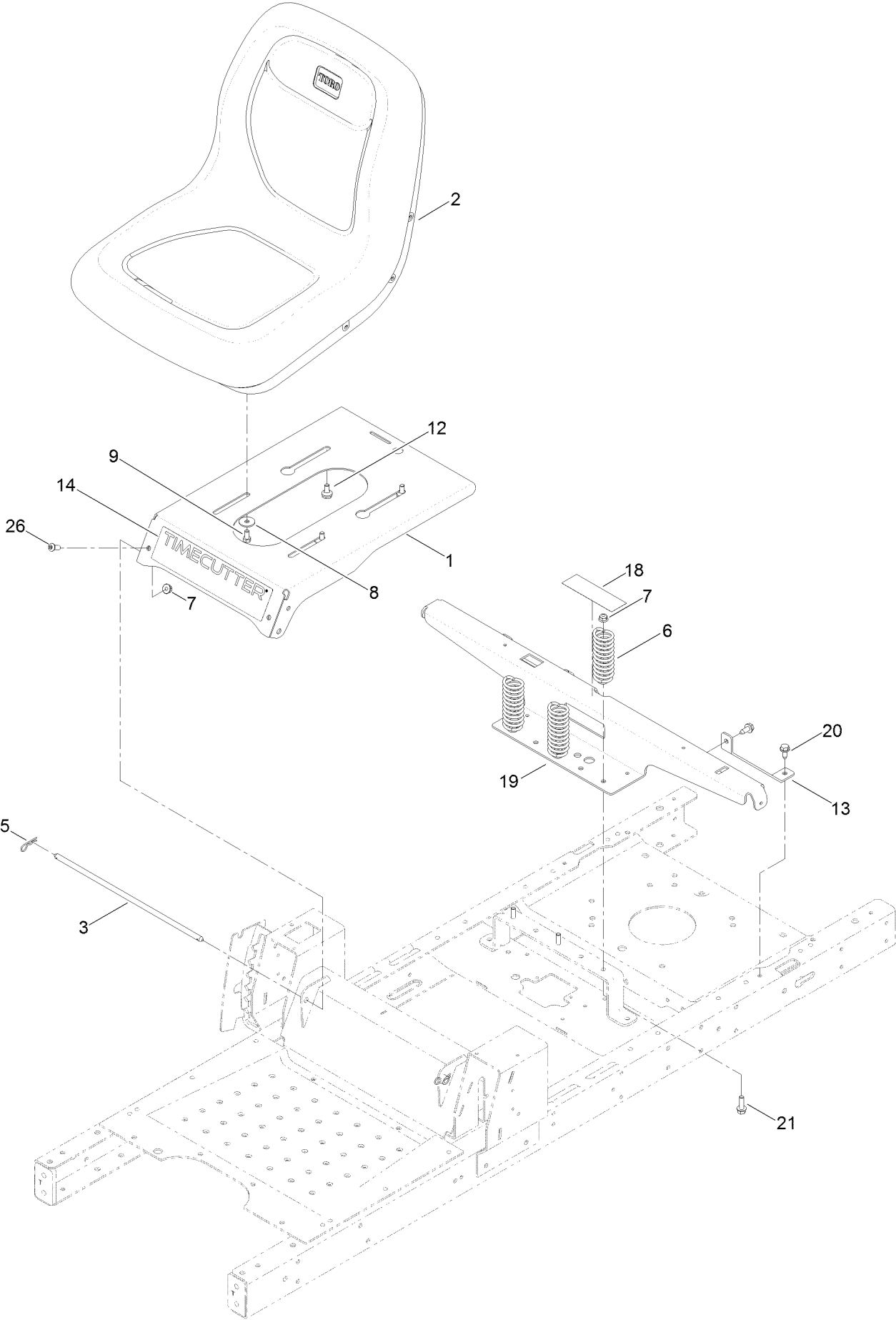
# Brake Box Assembly



## Brake Box Assembly (continued)

<i>Ref.</i>	<i>Part Number</i>	<i>Qty.</i>	<i>Description</i>	<i>Ref.</i>	<i>Part Number</i>	<i>Qty.</i>	<i>Description</i>
1	130-0795	1	Brake Box ASM	7	130-6974	1	Cover-Connector
2	121-2974	1	Rod-Brake, RH	8	32144-4	2	Screw-HWH
3	121-2975	1	Rod-Brake, LH	10	3296-42	2	Nut-Lock, NI
4	117-1169	4	Spring-Compression	11	119-8952	6	Washer
5	3290-307	2	Pin-Cotter	12	130-0790-03	1	Bracket-Mount, Brake
6	32144-36	4	Screw-PPH	13	94-4496	2	Screw-PPH

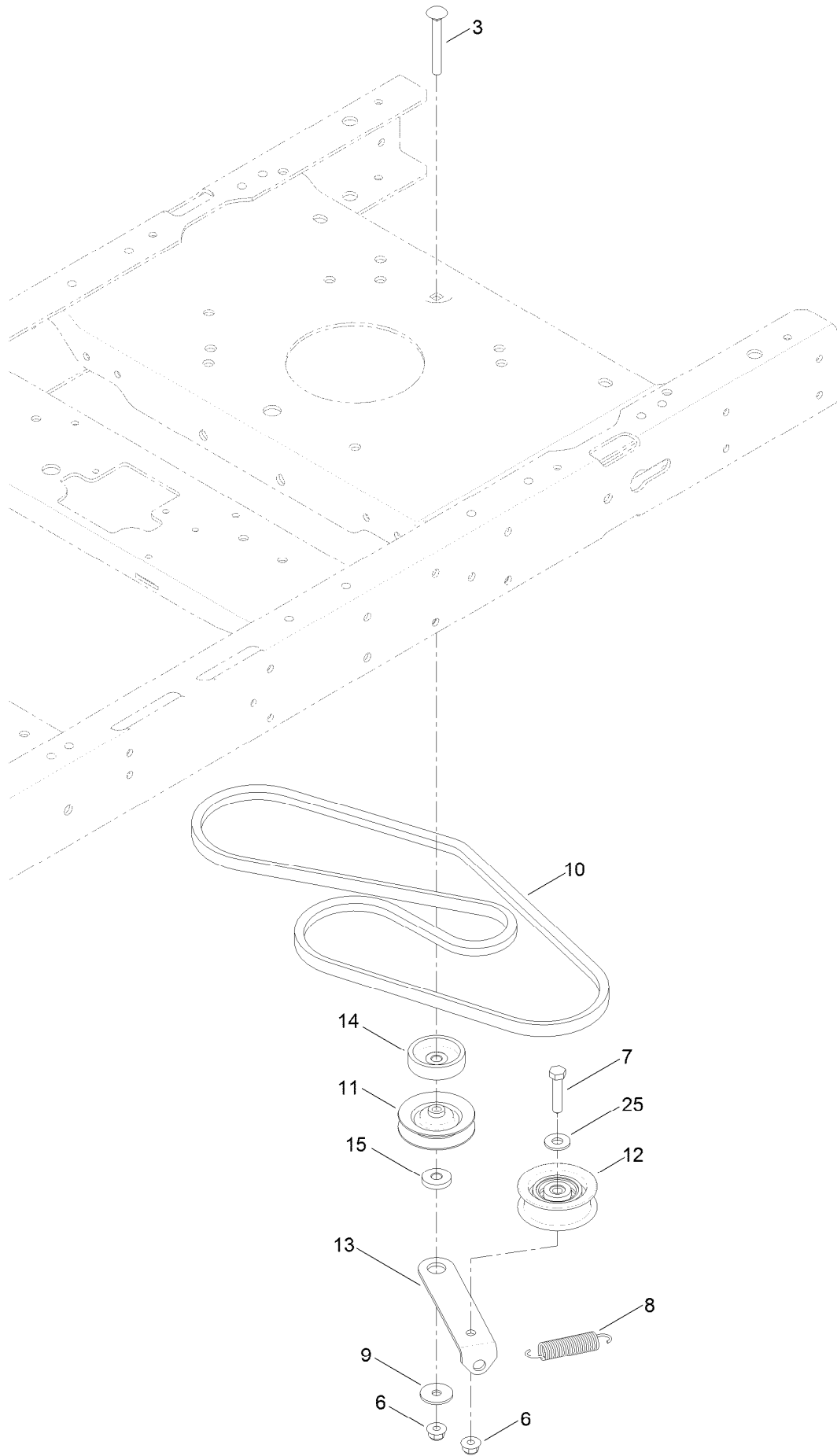
# Seat Assembly



## Seat Assembly (continued)

<i>Ref.</i>	<i>Part Number</i>	<i>Qty.</i>	<i>Description</i>	<i>Ref.</i>	<i>Part Number</i>	<i>Qty.</i>	<i>Description</i>
1	131-4037-01	1	Pan-Seat	12	37-8771	2	Bolt-Shoulder
2	119-8828	1	Seat-15 Inch	13	119-3431-03	2	Support-Tank, Rear
3	119-3433	1	Rod-Pivot, Narrow	14	131-3657	1	Decal-Timecutter
5	3290-250	2	Pin-Cotter	18	106-8717	1	Decal-Service, CE
6	92-7054	3	Spring-Compression	19	131-1040-03	1	Support-Pod
7	104-8300	3	Nut-HF, NI	20	32144-70	4	Screw-HWHTF
8	5-4460	2	Washer-Pivot	21	3234-29	3	Screw-HHF
9	322-2	2	Screw-HH	26	131-4080	2	Screw-HSBH

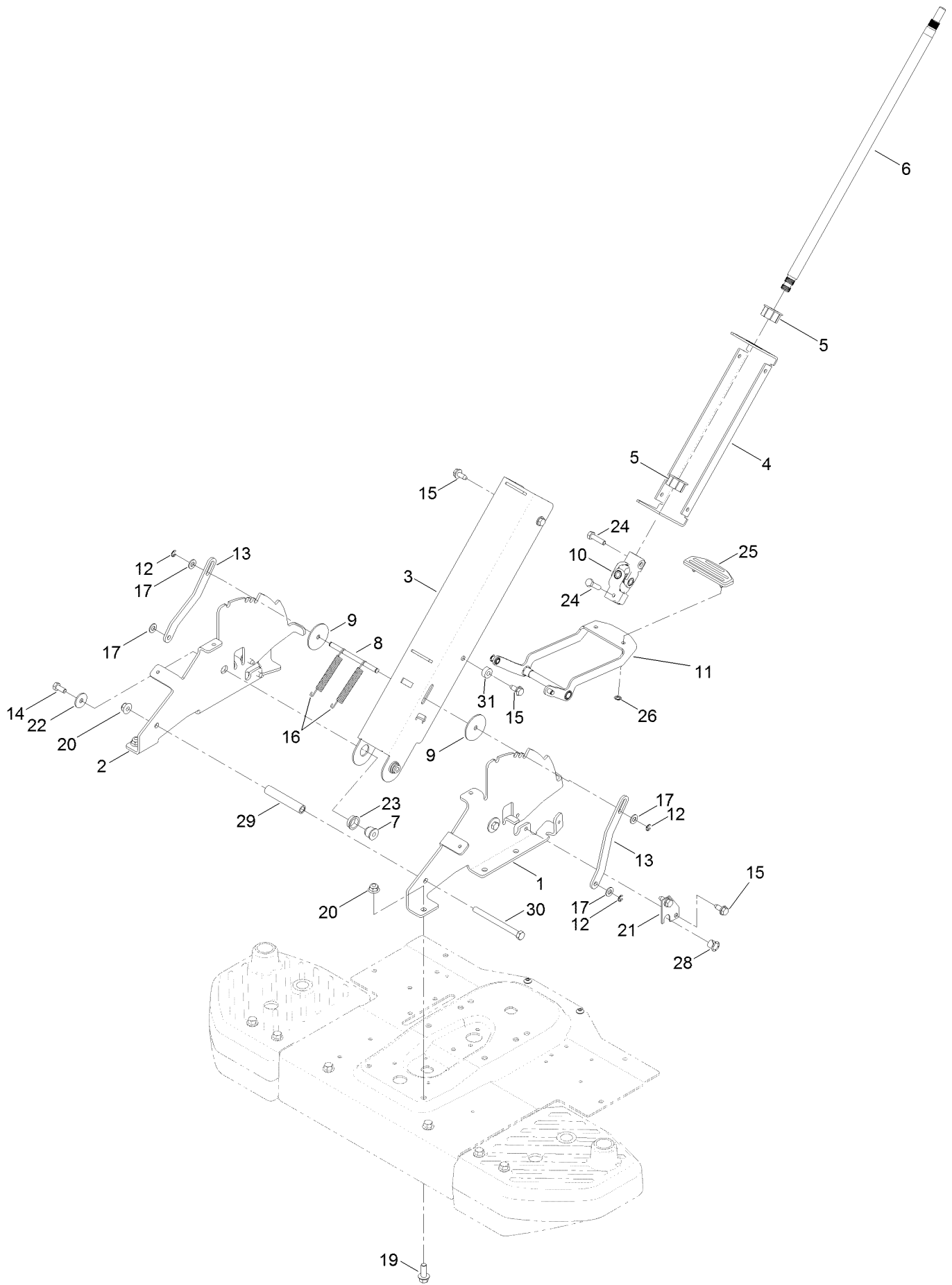
# Belt and Idler Assembly



## Belt and Idler Assembly (continued)

<i>Ref.</i>	<i>Part Number</i>	<i>Qty.</i>	<i>Description</i>	<i>Ref.</i>	<i>Part Number</i>	<i>Qty.</i>	<i>Description</i>
3	3230-8	1	Screw-CARR	11	119-8822	1	Pulley-Idler
6	104-8300	2	Nut-HF, NI	12	106-2176	1	Pulley-Idler
7	322-7	1	Screw-HH	13	119-3326	1	Arm-Idler
8	104-6415	1	Spring-Return, Pedal	14	119-3353	1	Spacer
9	5-4460	1	Washer-Pivot	15	119-3327	1	Spacer-Arm, Idler
10	130-6975	1	V-Belt	25	3256-3	1	Washer-Flat

# Steering Column Assembly

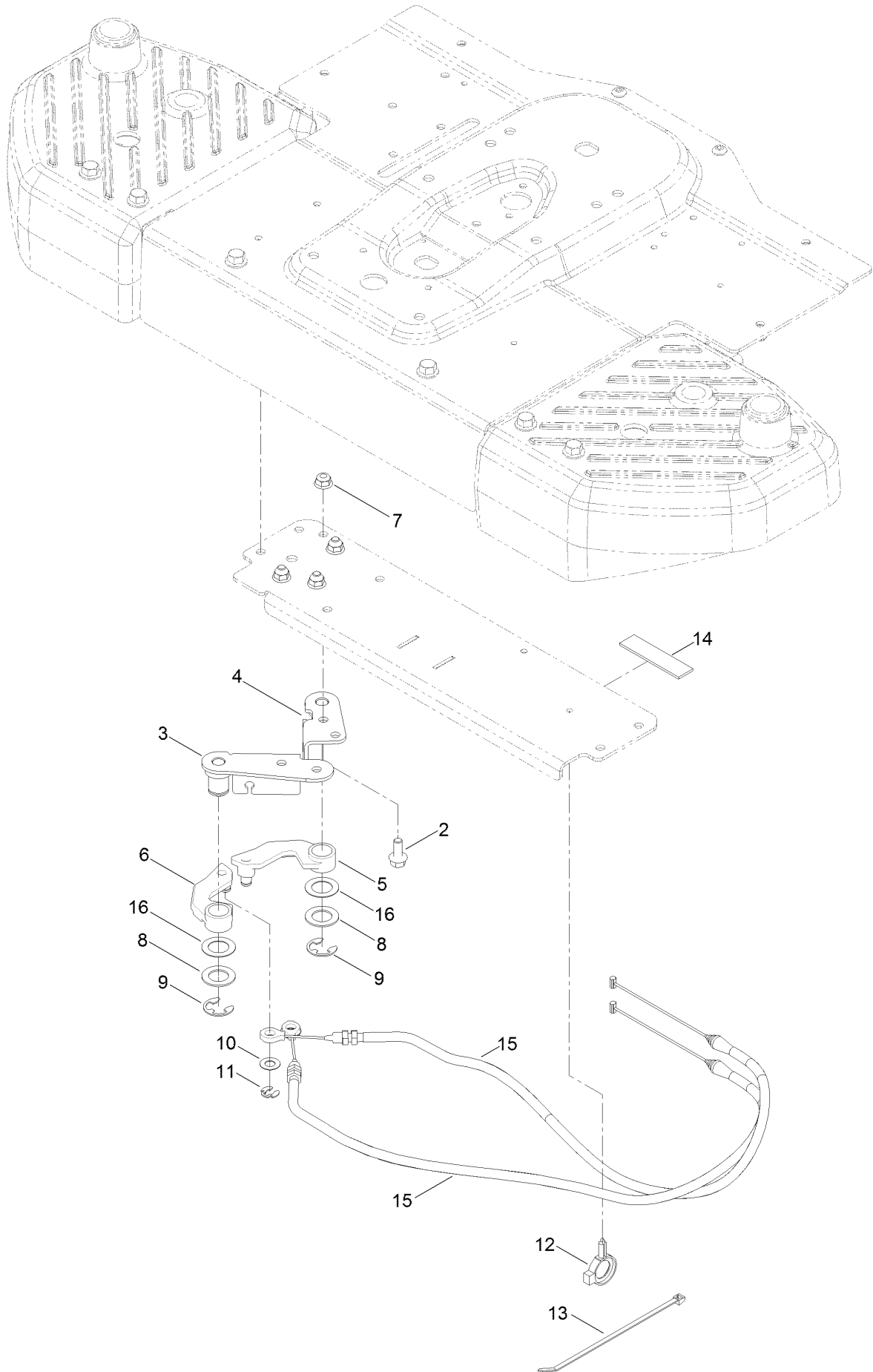




## Steering Column Assembly (continued)

<i>Ref.</i>	<i>Part Number</i>	<i>Qty.</i>	<i>Description</i>	<i>Ref.</i>	<i>Part Number</i>	<i>Qty.</i>	<i>Description</i>
1	131-1052-03	1	Bracket-Pivot, Column (LH)	16	130-6998	2	Spring-Extension
2	131-1053-03	1	Bracket-Pivot, Column (RH)	17	3256-23	4	Washer-Plain
3	131-1054-01	1	Column-Front	19	3234-11	6	Screw-HHF
4	131-1055-01	1	Column-Back	20	104-8301	7	Nut-HF, NI
5	93-1146	2	Bushing-Steering, Upper	21	131-1043	2	Plate-Retainer
6	125-5507	1	Shaft-Steering, Upper	22	5-4460	2	Washer-Pivot
7	131-1056	2	Spacer-Pivot, Column	23	99-4243	2	Bushing-Flange
8	131-1050	1	Rod-Plunger	24	322-6	2	Screw-HH
9	131-8729	2	Washer-Shaft, Tilt	25	131-4096	1	Pad-Tilt Pedal
10	131-1030	1	U-Joint ASM	26	32112-6	2	Nut-Push
11	131-7726	1	Release Pedal ASM	28	256-257	2	Bushing-Nyliner
12	701197	4	E-Ring	29	131-3697	1	Spacer
13	131-1049	2	Plate-Plunger	30	323-23	1	Screw-HH
14	322-3	2	Screw-HH	31	121-1759	2	Spacer
15	32144-70	8	Screw-HWHTF				

# Steering Cable Assembly



## Steering Cable Assembly (continued)

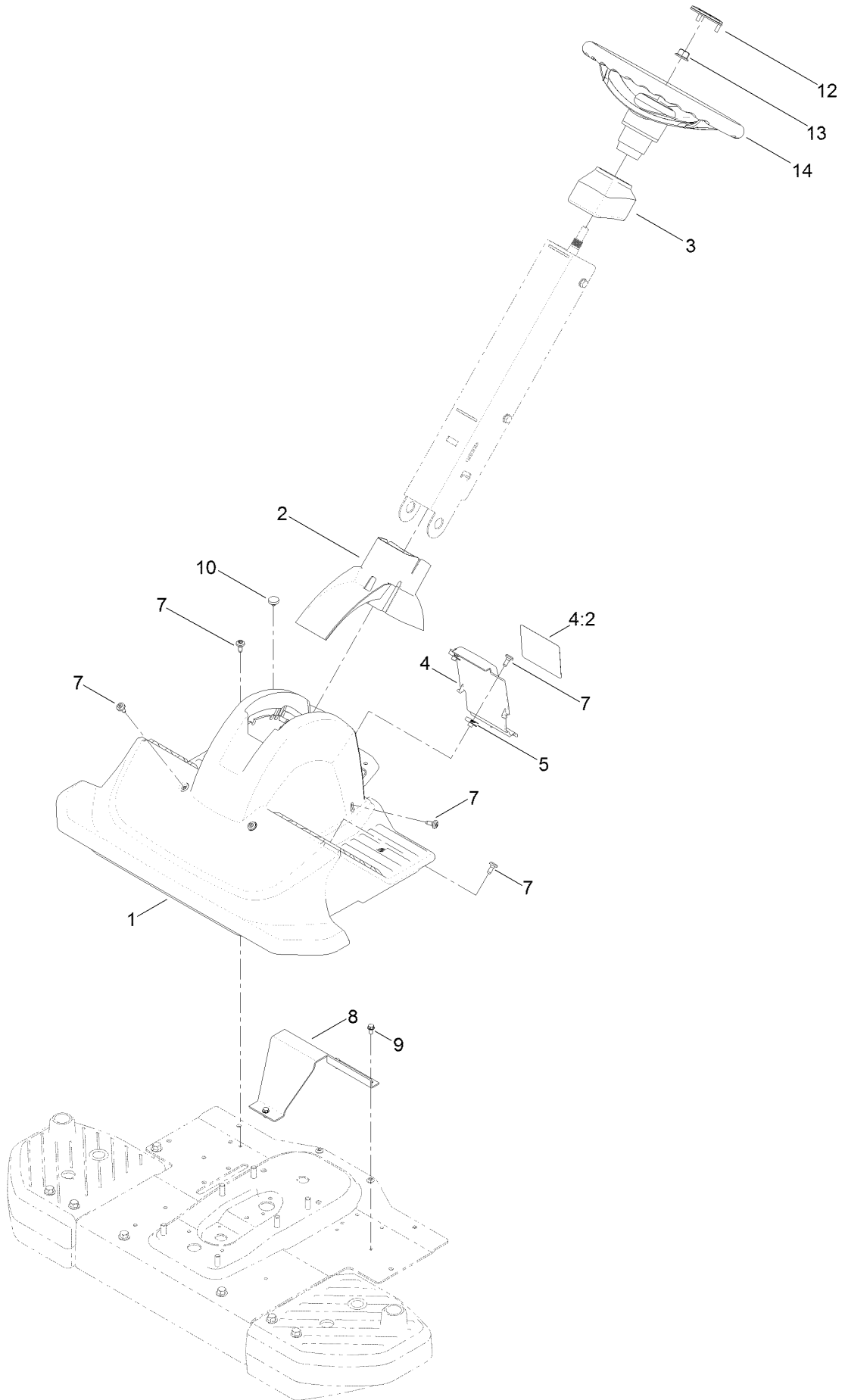
<i>Ref.</i>	<i>Part Number</i>	<i>Qty.</i>	<i>Description</i>	<i>Ref.</i>	<i>Part Number</i>	<i>Qty.</i>	<i>Description</i>
2	3234-47	4	Screw-HHF	10	37-8080	2	Washer-Thrust
3	131-3952	1	Cable Bracket ASM	11	32151-47	2	Ring-Retaining
4	131-3953	1	Cable Bracket ASM	12	105-1853	2	Clamp-Hose
5	131-3623	1	Arm-Cable, RH	13	614249	1	Tie-Cable
6	131-3647	1	Arm-Cable, LH	14	105-7699	1	Strip-Seal
7	104-8300	4	Nut-HF, NI	15	127-0118	2	Cable-Steering
8	119-7640	2	Washer-Thrust	16	3-6498	2	Washer-Thrust
9	32151-48	2	E-Ring				



## Gear Assembly (continued)

<i>Ref.</i>	<i>Part Number</i>	<i>Qty.</i>	<i>Description</i>	<i>Ref.</i>	<i>Part Number</i>	<i>Qty.</i>	<i>Description</i>
1	103-4398	4	Bearing-Flange, Iglide	17	104-8301	3	Nut-HF, NI
2	131-1031	2	Bolt-Shoulder	18	3256-26	1	Washer-Flat
3	130-0830	2	Gear-Wheel, 30 Tooth	19	99-5107	2	Nut-Lock
4	83-1050	3	Spacer	20	32144-70	2	Screw-HWHTF
5	103-0608	4	Joint-Ball, End	21	323-8	1	Screw-HH
7	84-1560	1	Washer-Thrust	22	131-1036	1	Rod-Steering, Narrow
8	324-4	1	Screw-HH	23	3220-3	4	Nut-HJ
9	131-8731	1	Sector Gear ASM	24	130-6878	1	Lever-Cable
9:2	109-3678	1	Bearing-Ball	25	131-3951	2	Bushing
10	131-8733	1	Flange Bearing ASM	26	131-3950	1	Strap-Roller
10:2	115-7019	1	Bushing-Straight	27	32144-86	1	Screw-HWHTF
11	119-7640	1	Washer-Thrust	28	100-9880	1	Bolt-Shoulder
12	125-5508	1	Lower Steering Shaft ASM	29	104-8300	1	Nut-HF, NI
13	32151-48	1	E-Ring	30	32144-14	1	Screw-HWHTF
14	323-9	1	Screw-HH	31	131-8736	1	Spacer-Bearing
15	323-11	1	Screw-HH	32	131-8737	1	Pivot-Bearing
16	131-1035	1	Rod-Cross, Narrow	33	70-1160	1	Washer

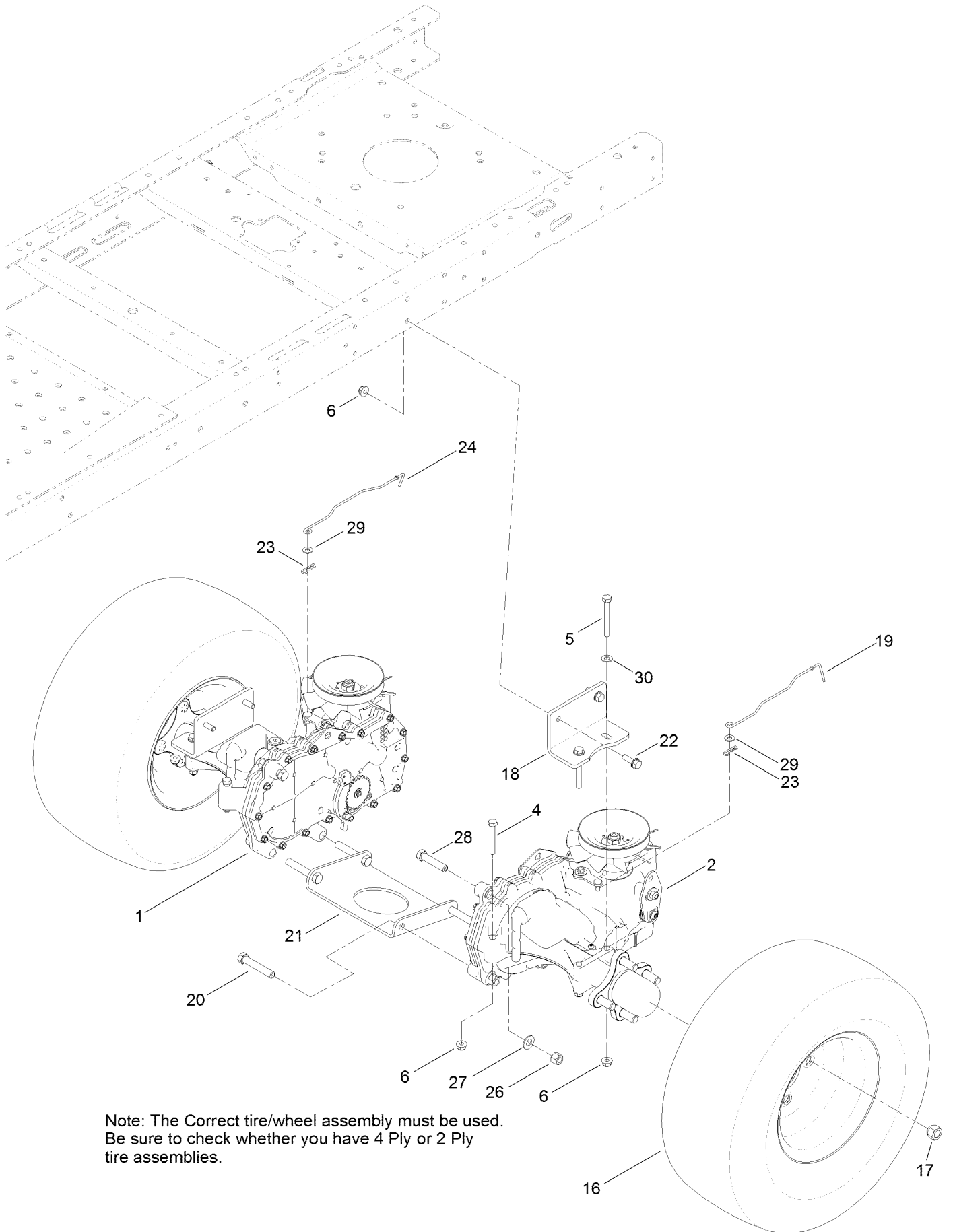
# Steering Assembly



## Steering Assembly (continued)

<i>Ref.</i>	<i>Part Number</i>	<i>Qty.</i>	<i>Description</i>	<i>Ref.</i>	<i>Part Number</i>	<i>Qty.</i>	<i>Description</i>
1	131-1070	1	Shroud	8	131-1029-03	1	Support-Footrest
2	131-1028	1	Cover-Pivot, Column	9	32144-4	3	Screw-HWH
3	131-1066	1	Cap-Column	10	1-513658	1	Bumper
4	131-4099	1	Rear Cover And Decal ASM	12	131-3630	1	Cap-Wheel, Steering
4:2	132-0870	1	Decal-Danger	13	99-5107	1	Nut-Lock
5	107069	2	Clip	14	131-0957	1	Wheel-Steering
7	120-7950	9	Screw-Shoulder				

# Hydro Transaxle Drive and Rear Wheel Assembly

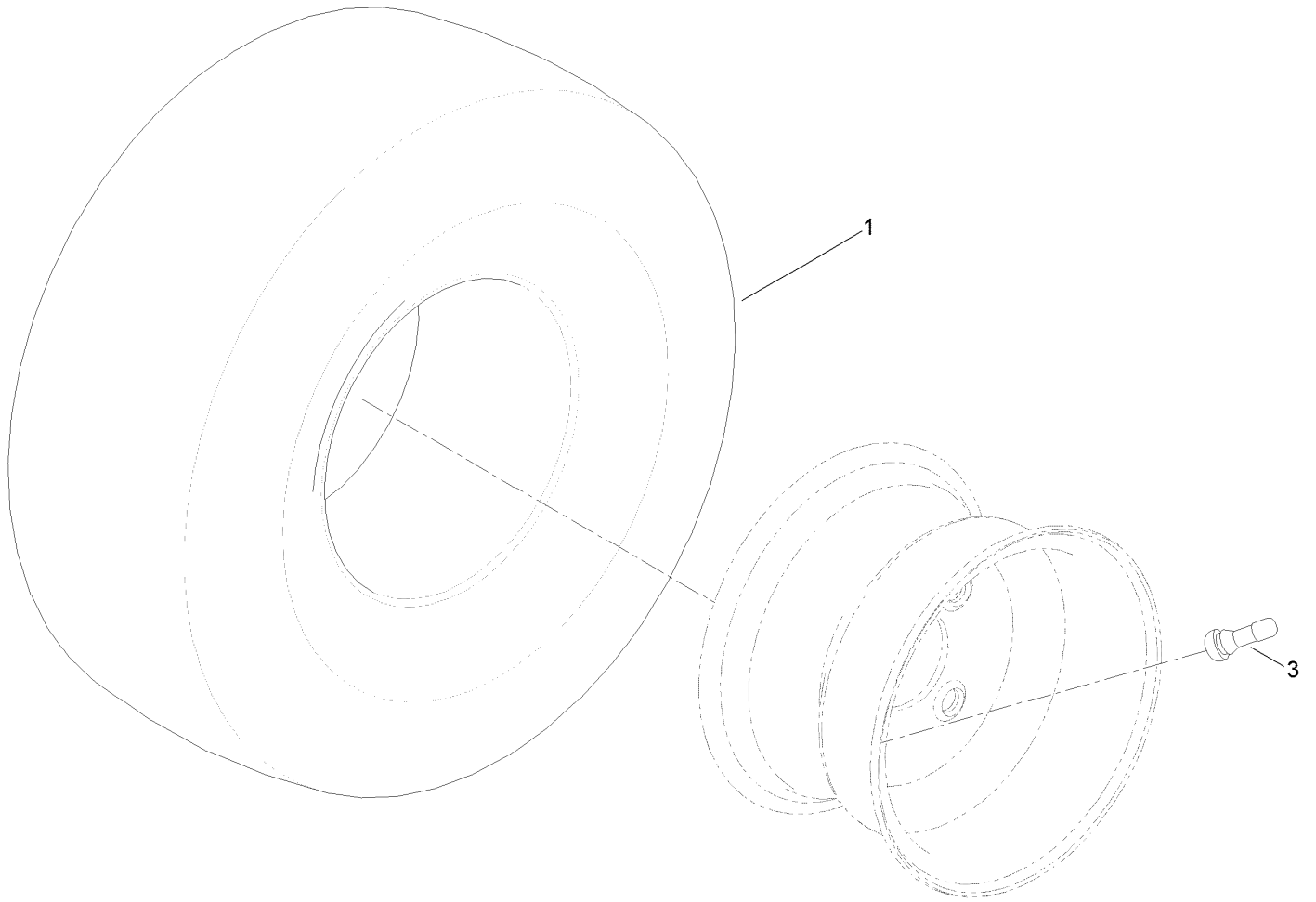




# Hydro Transaxle Drive and Rear Wheel Assembly (continued)

<i>Ref.</i>	<i>Part Number</i>	<i>Qty.</i>	<i>Description</i>	<i>Ref.</i>	<i>Part Number</i>	<i>Qty.</i>	<i>Description</i>
1	119-3331	1	RH Hydro Transaxle ASM	20	324-10	4	Screw-HH
2	119-3330	1	LH Hydro Transaxle ASM	21	119-3339-03	1	Plate-Cross, Hydro
4	322-11	4	Screw-HH	22	3234-29	4	Screw-HHF
5	322-13	4	Screw-HH	23	3290-307	2	Pin-Cotter
6	104-8300	12	Nut-HF, NI	24	130-7049	1	Rod-Bypass, RH
16	120-5523	2	4 Ply Wheel And Tire ASM	26	3296-48	6	Nut-Lock, NI
16	131-3671	2	2 Ply Wheel And Tire ASM	27	3256-25	6	Washer-Flat
17	242-50	8	Nut-Lug	28	324-8	2	Screw-HH
18	117-7264-03	2	Mount-Hydro	29	119-8952	2	Washer
19	131-0900	1	Rod-Bypass, LH	30	3256-23	6	Washer-Plain

# 4 Ply Wheel and Tire Assembly No. 120-5523

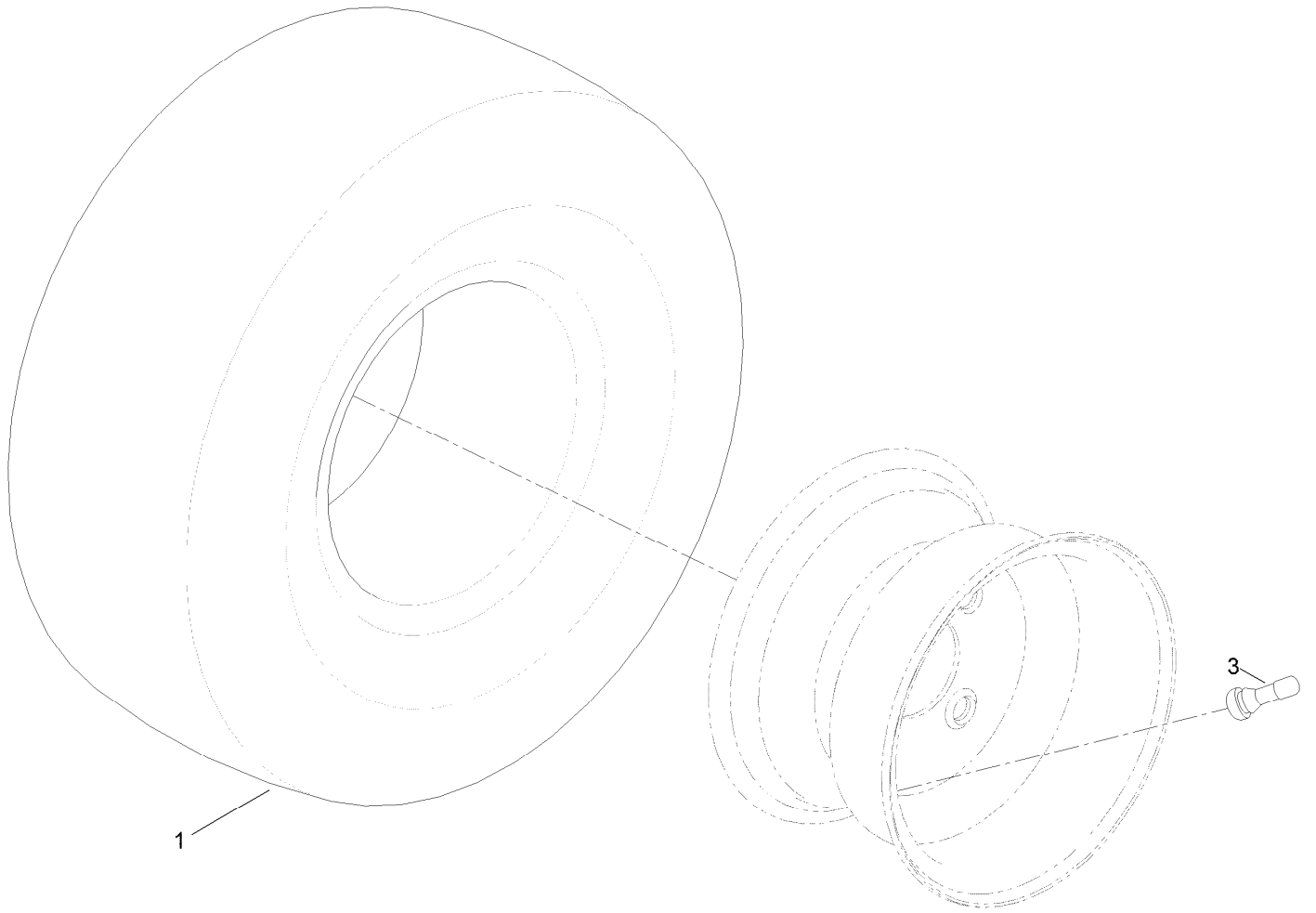


## 4 Ply Wheel and Tire Assembly No. 120-5523 (continued)

<i>Ref.</i>	<i>Part Number</i>	<i>Qty.</i>	<i>Description</i>
1	119-8907	1	Tire-4 Ply
3	232-27	1	Stem-Valve
99	107-2491	1	Tube-Tire ●

● Not illustrated

# 2 Ply Wheel and Tire Assembly No. 131-3671

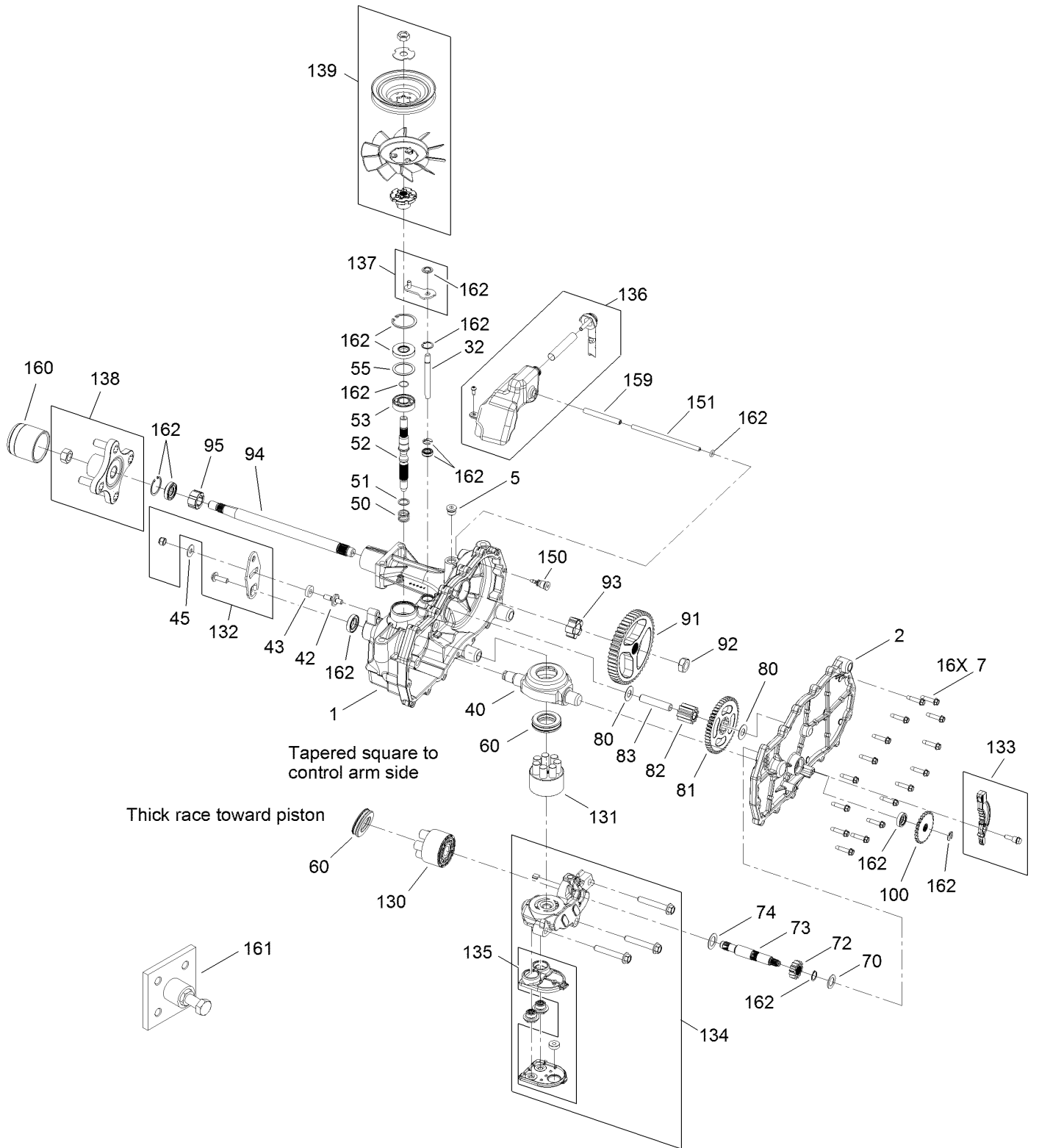


## 2 Ply Wheel and Tire Assembly No. 131-3671 (continued)

<i>Ref.</i>	<i>Part Number</i>	<i>Qty.</i>	<i>Description</i>
1	131-3678	1	Tire-2 Ply
3	232-27	1	Stem-Valve
99	107-2491	1	Tube-Tire ●

● Not illustrated

# Left Hand Hydro Transaxle Assembly No. 119-3330

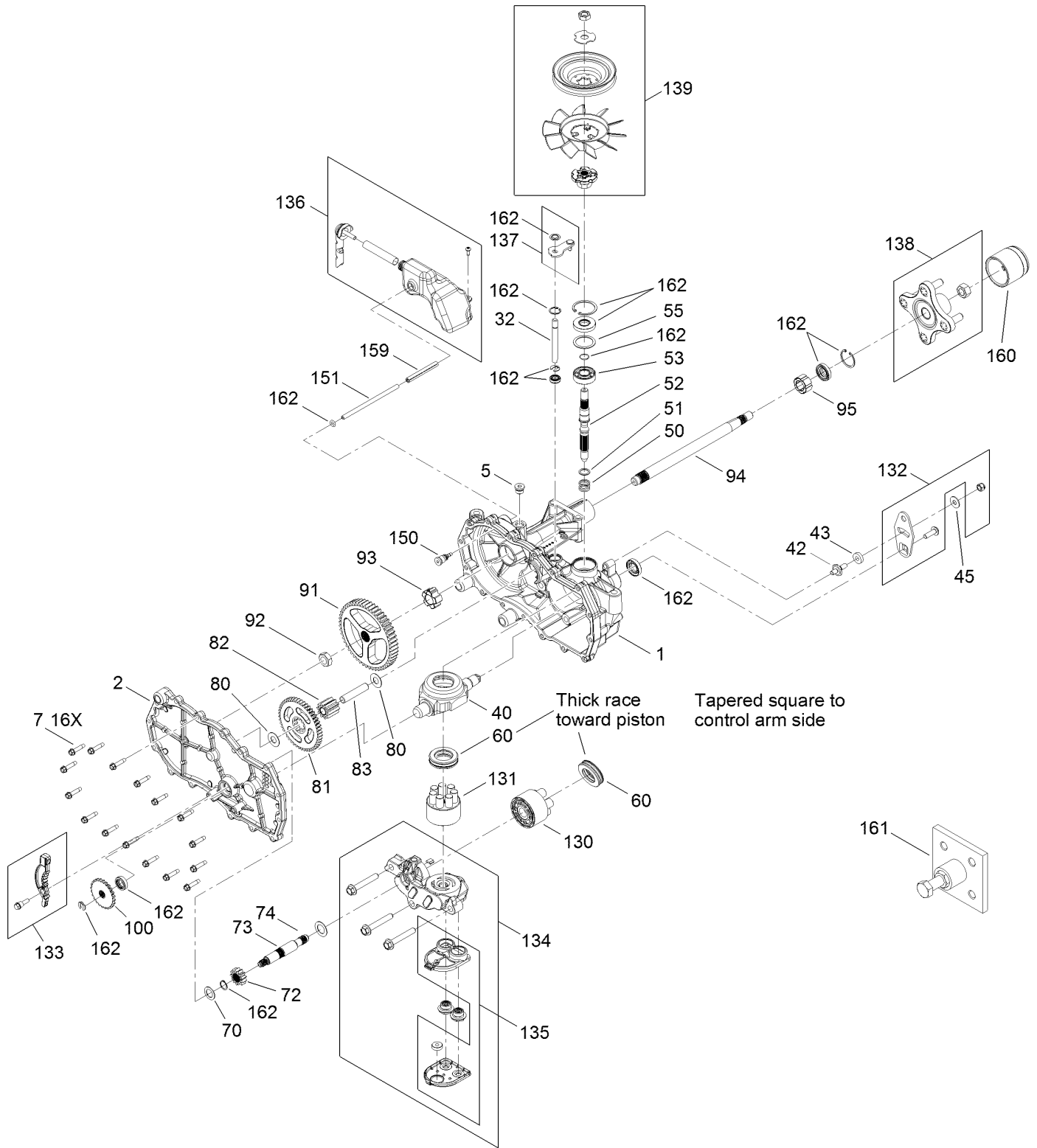


# Left Hand Hydro Transaxle Assembly No. 119-3330 (continued)

<i>Ref.</i>	<i>Part Number</i>	<i>Qty.</i>	<i>Description</i>	<i>Ref.</i>	<i>Part Number</i>	<i>Qty.</i>	<i>Description</i>
1	120-5532	1	Main Housing ASM	83	104-5329	1	Pin-Jackshaft
2	120-5534	1	Housing Side Kit	91	120-5539	1	Gear-Bull
5	104-2189	1	Plug-Thread, Straight	92	104-2142	1	Nut-HJ
7	117-5359	16	Screw-HHF	93	115-8314	1	Bushing-Inboard
13	104-2147	1	Sealant ●	94	120-5540	1	Shaft-Axle
32	106-8678	2	Rod-Bypass	95	120-5541	1	Bearing-Sleeve
40	104-5304	1	Swashplate-Trunnion	100	106-8694	1	Disc-Brake, Cog
42	104-2116	1	Stud	130	103-2666	1	Cylinder Block Kit
43	112-9853	1	Puck-Friction	131	110-8561	1	Pump Block ASM
45	114-8491	1	Washer	132	117-5362	1	Control Arm Kit
50	120-5537	1	Spring-Compression	133	106-8688	1	Brake Arm Kit
51	120-5538	1	Washer	134	112-9861	1	Center Section Filter Kit
52	104-5306	1	Shaft-Input	135	114-1634	1	Filter Kit
53	104-5311	1	Bearing-Ball	136	121-5730	1	RH Expansion Tank Kit
55	104-5308	1	Spacer	137	120-5549	1	Bypass Kit
60	94-6922	1	Bearing-Thrust	138	121-5731	1	Hub Kit
70	104-5339	1	Washer-Flat	139	121-5729	1	Fan Pulley Kit
72	104-5316	1	Gear-Pinion, 13T	150	104-5349	1	Fitting-SAE
73	106-8683	1	Shaft-Motor	151	115-8302	1	Hose
74	104-5360	1	Washer	159	121-5728	1	Case-Tube
80	119-5541	2	Washer	160	125-0041	1	Cap-Axle
81	104-5317	1	Gear-10T/48T	161	114-8467	1	Puller-Hub, 4 Bolt
82	104-5318	1	Gear-Jackshaft, 10T	162	120-7103	1	Seal And Ring Kit

● Not illustrated

# Right Hand Hydro Transaxle Assembly No. 119-3331



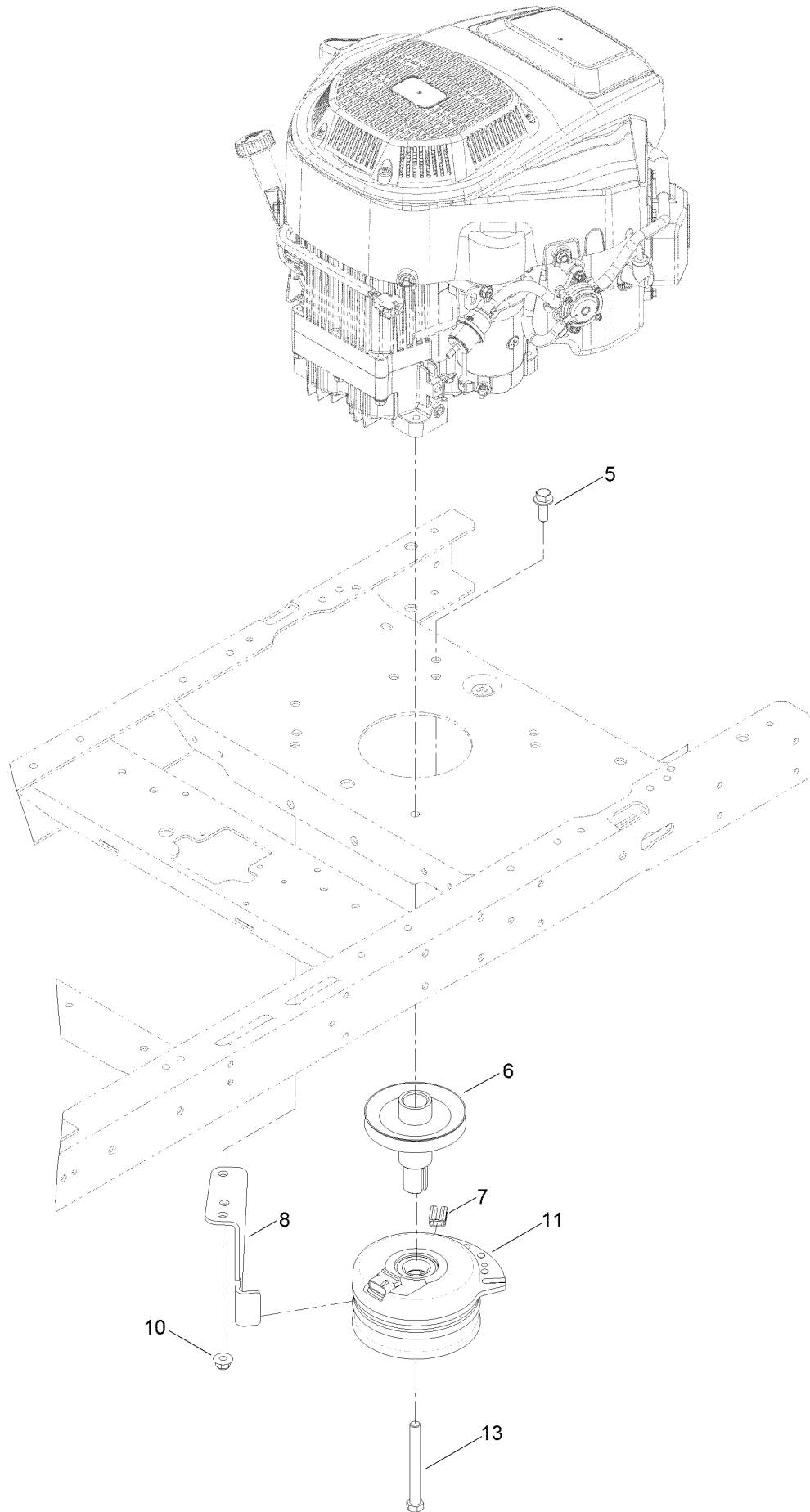


# Right Hand Hydro Transaxle Assembly No. 119-3331 (continued)

<i>Ref.</i>	<i>Part Number</i>	<i>Qty.</i>	<i>Description</i>	<i>Ref.</i>	<i>Part Number</i>	<i>Qty.</i>	<i>Description</i>
1	120-5531	1	Main Housing ASM	83	104-5329	1	Pin-Jackshaft
2	120-5533	1	Housing Side Kit	91	120-5539	1	Gear-Bull
5	104-2189	1	Plug-Thread, Straight	92	104-2142	1	Nut-HJ
7	117-5359	16	Screw-HHF	93	115-8314	1	Bushing-Inboard
13	104-2147	1	Sealant ●	94	120-5540	1	Shaft-Axle
32	106-8678	2	Rod-Bypass	95	120-5541	1	Bearing-Sleeve
40	104-5304	1	Swashplate-Trunnion	100	106-8694	1	Disc-Brake, Cog
42	104-2116	1	Stud	130	103-2666	1	Cylinder Block Kit
43	112-9853	1	Puck-Friction	131	110-8561	1	Pump Block ASM
45	114-8491	1	Washer	132	117-5362	1	Control Arm Kit
50	120-5537	1	Spring-Compression	133	106-8688	1	Brake Arm Kit
51	120-5538	1	Washer	134	112-9862	1	Center Section Filter Kit
52	104-5306	1	Shaft-Input	135	114-1634	1	Filter Kit
53	104-5311	1	Bearing-Ball	136	121-5735	1	LH Expansion Tank Kit
55	104-5308	1	Spacer	137	107-2489	1	Bypass Arm Kit
60	94-6922	1	Bearing-Thrust	138	121-5731	1	Hub Kit
70	104-5339	1	Washer-Flat	139	121-5729	1	Fan Pulley Kit
72	104-5316	1	Gear-Pinion, 13T	150	104-5349	1	Fitting-SAE
73	106-8683	1	Shaft-Motor	151	115-8302	1	Hose
74	104-5360	1	Washer	159	121-5728	1	Case-Tube
80	119-5541	2	Washer	160	125-0041	1	Cap-Axle
81	104-5317	1	Gear-10T/48T	161	114-8467	1	Puller-Hub, 4 Bolt
82	104-5318	1	Gear-Jackshaft, 10T	162	120-7103	1	Seal And Ring Kit

● Not illustrated

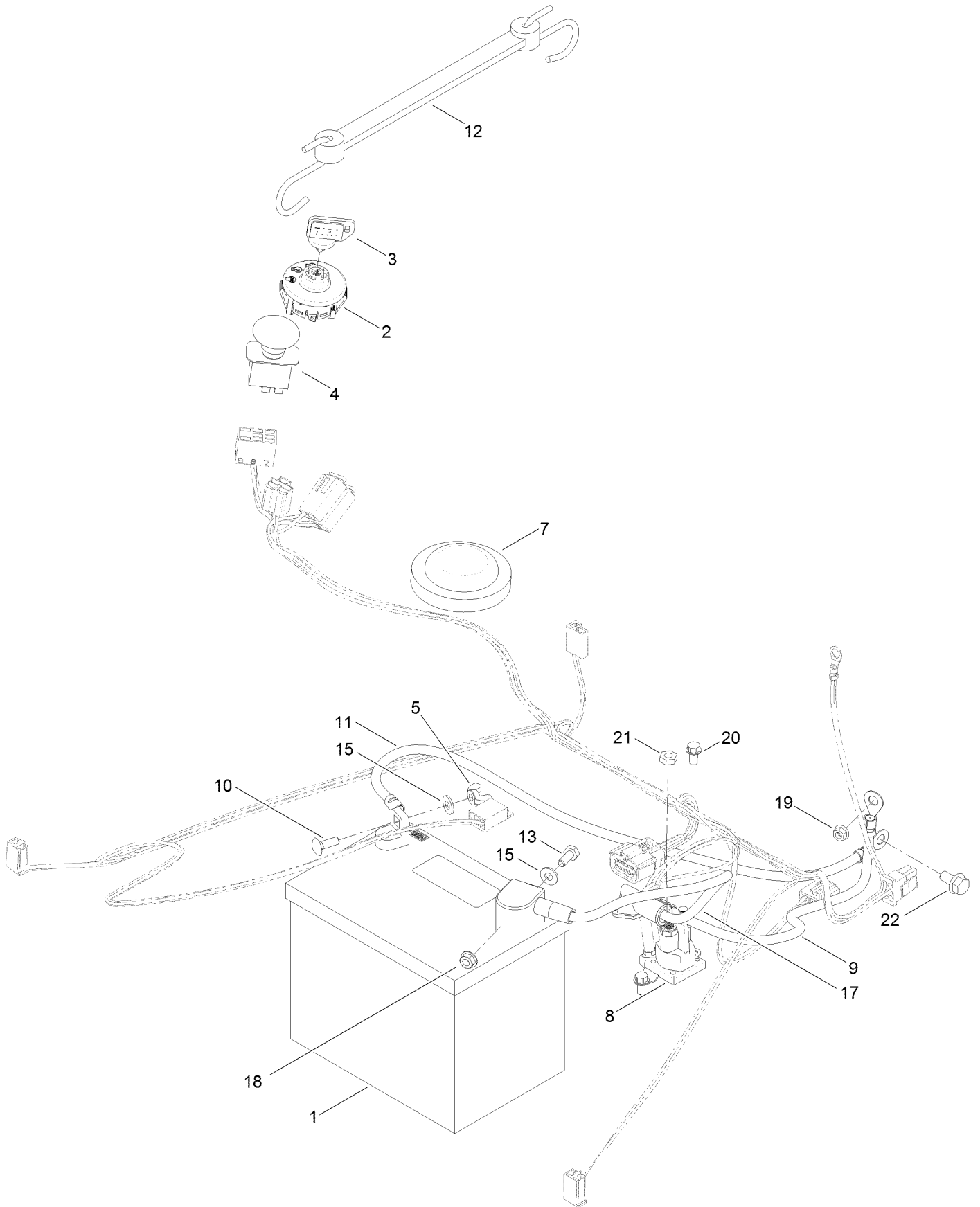
# Clutch Assembly



## Clutch Assembly (continued)

<i>Ref.</i>	<i>Part Number</i>	<i>Qty.</i>	<i>Description</i>	<i>Ref.</i>	<i>Part Number</i>	<i>Qty.</i>	<i>Description</i>
5	3234-42	1	Screw-HHF	10	104-8301	1	Nut-HF, NI
6	130-6854	1	Pulley-Engine	11	117-7468	1	Clutch-Electric
7	120-2217	1	Isolator-Clutch	13	3212-16	1	Screw-HH
8	119-8884	1	Stop-Clutch (Narrow)				

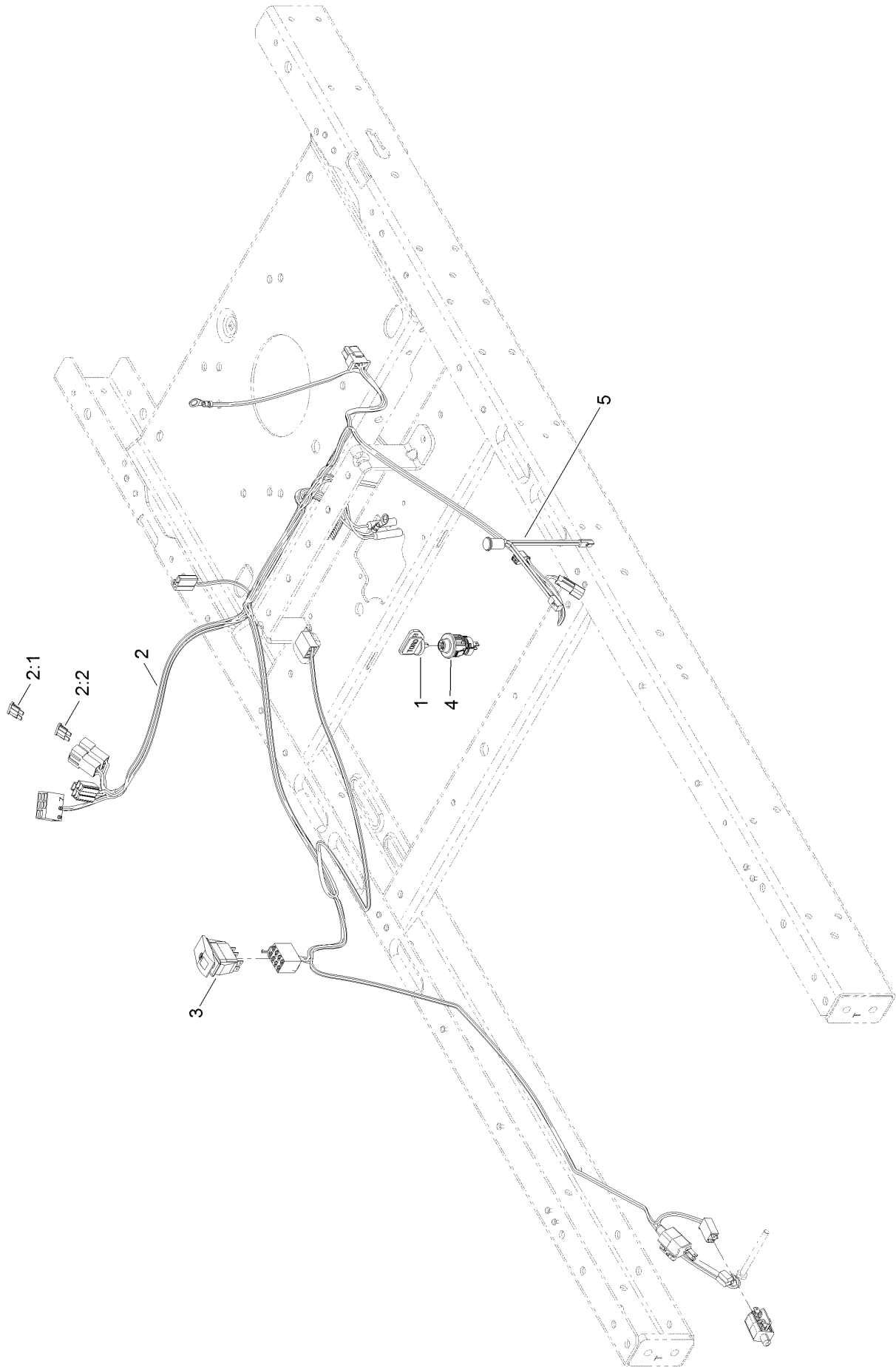
# Battery and Electrical Assembly



## Battery and Electrical Assembly (continued)

<i>Ref.</i>	<i>Part Number</i>	<i>Qty.</i>	<i>Description</i>	<i>Ref.</i>	<i>Part Number</i>	<i>Qty.</i>	<i>Description</i>
1	105-1692	1	Battery	12	104-2466	1	Holddown-Battery
2	117-2221	1	Switch-Ignition	13	321-3	1	Screw-HH
3	63-8360	1	Key-Ignition	15	3256-22	2	Washer-Flat
4	114-0279	1	Switch-PTO, On-On-(On)	17	119-8897	1	Cable-Battery, Red
5	32103-22	1	Nut-Wing	18	32128-33	1	Nut-HF
7	100-3524	1	Switch-Seat	19	33003-00	1	Nut-HF
8	117-1197	1	Solenoid	20	32144-4	2	Screw-HWH
9	121-0711	1	Cable-Battery, Positive	21	3220-2	2	Nut-Jam
10	3229-1	1	Bolt-CARR	22	3234-14	1	Screw-HHF
11	119-8899	1	Cable-Battery, Black				

# Wire Harness Assembly

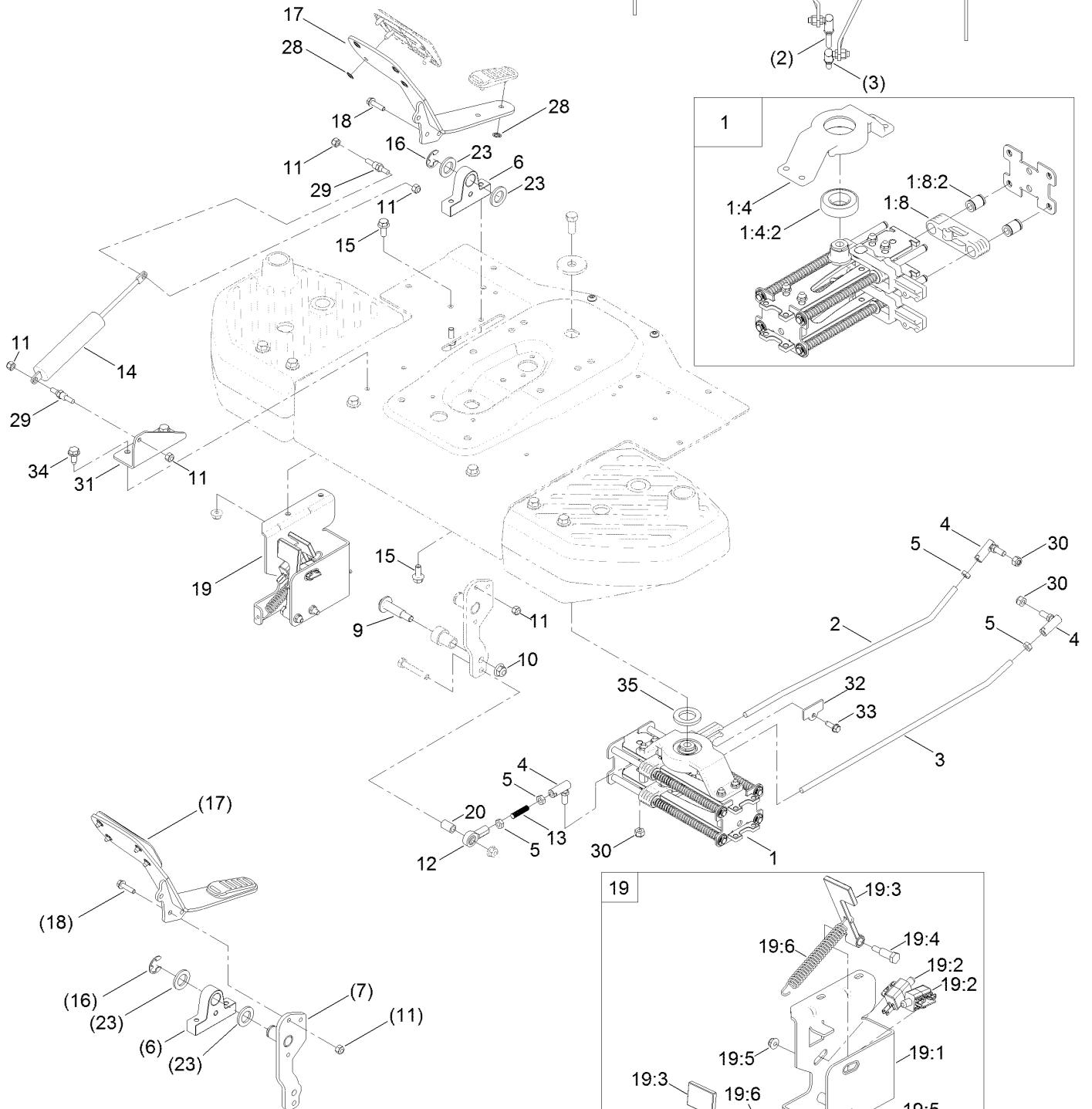
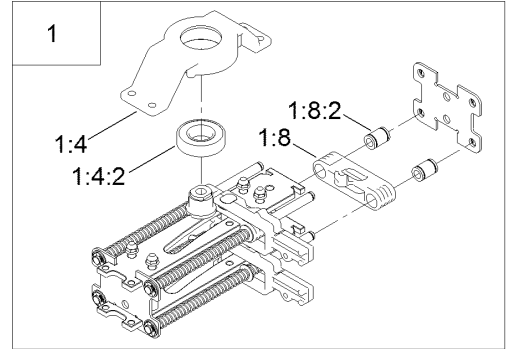
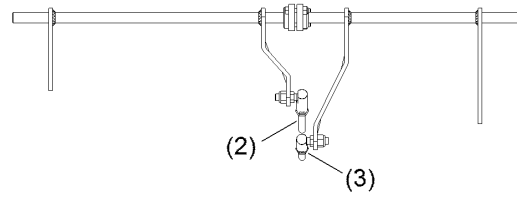


## Wire Harness Assembly (continued)

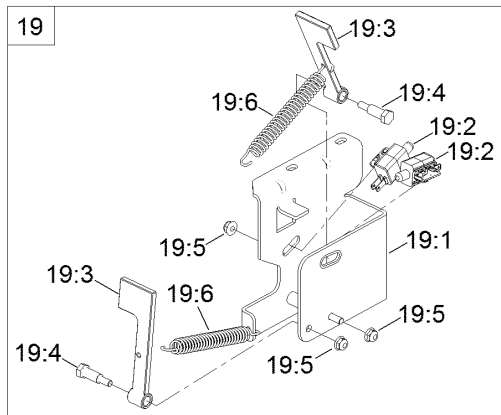
<i>Ref.</i>	<i>Part Number</i>	<i>Qty.</i>	<i>Description</i>	<i>Ref.</i>	<i>Part Number</i>	<i>Qty.</i>	<i>Description</i>
1	131-3639	1	Key-Toro	3	130-6874	1	Switch-Rocker, (On)-Off-(On)
2	130-6918	1	Harness-Wire	4	119-3068	1	Switch-Momentary, N.O.
2:1	109103	1	Fuse-Blade, 30 Amp	5	131-4136	1	Light-Indicator
2:2	109102	1	Fuse-Blade, 25 Amp				

# Speed Control Assembly

BALLJOINT ORIENTATION  
REAR VIEW



FOOT PEDAL ASSEMBLY



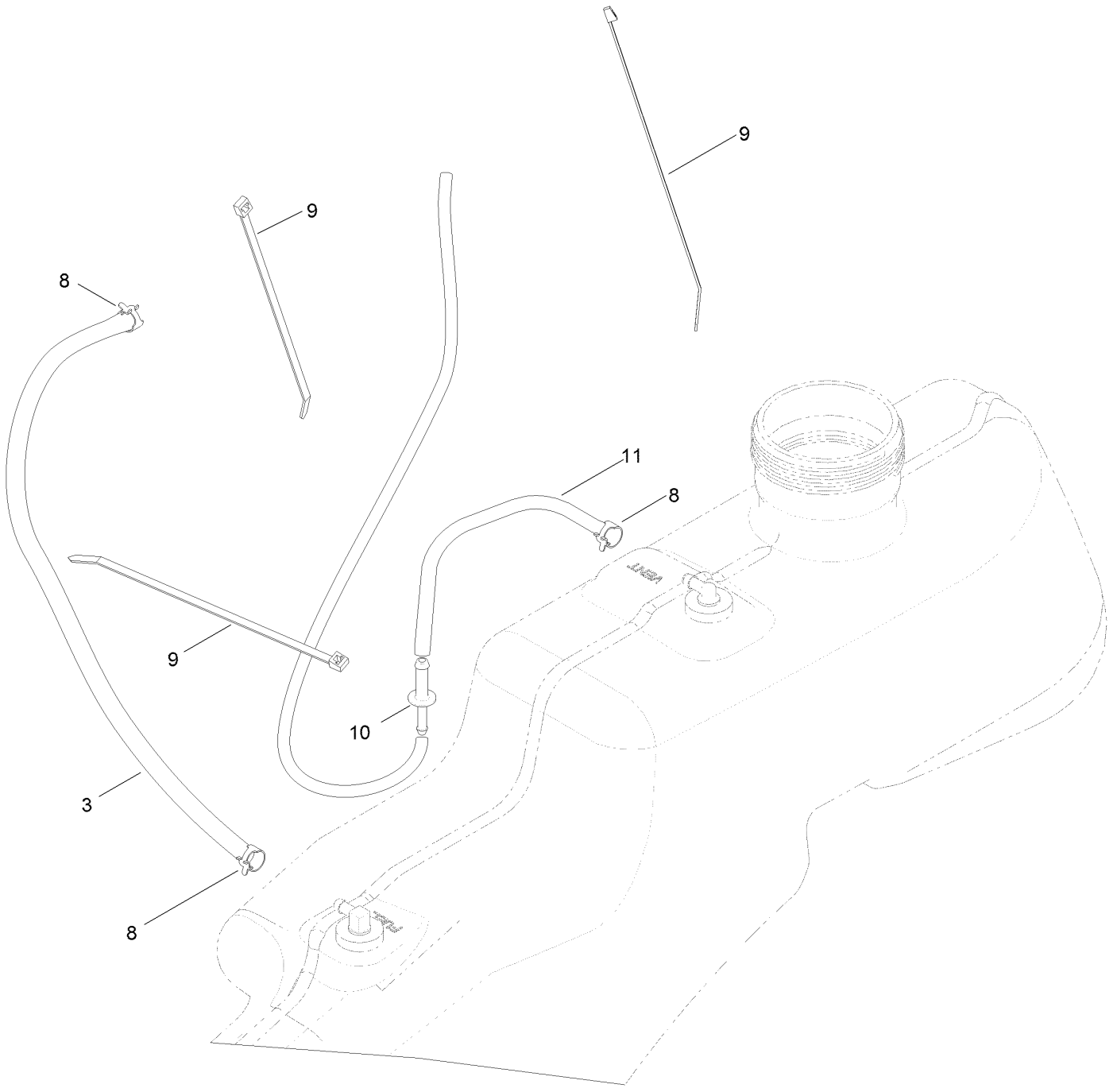


## Speed Control Assembly (continued)

<i>Ref.</i>	<i>Part Number</i>	<i>Qty.</i>	<i>Description</i>	<i>Ref.</i>	<i>Part Number</i>	<i>Qty.</i>	<i>Description</i>
1	131-0904	1	Speed Control ASM	17	125-3065-01	1	Pedal-Traction
1:4		1	Speed Control Bracket ASM (With Bearing) ●	18	120-4654	2	Screw-HHF
1:4:2	109-3678	1	Bearing-Ball	19	131-0903	1	Neutral Return ASM
1:8		2	Speed Control Slide ASM (With Bushings) ●	19:1	130-0787-03	1	Bracket-Switch
1:8:2	130-0757	2	Bushing	19:2	110-6765	2	Switch
2	127-0115	1	Rod-Hydro, RH	19:3	130-0782	2	Arm-Switch
3	127-0116	1	Rod-Hydro, LH	19:4	119-2309	2	Bolt-Shoulder
4	2411-33	3	Balljoint-RH (W/Grommet)	19:5	104-7201	3	Nut-HF
5	3220-2	4	Nut-Jam	19:6	120-7027	2	Spring-Extension
6	130-6887	1	Mount-Pedal Pivot	20	131-1034	1	Spacer
9	56-6590	1	Bolt-Wheel	23	70-1160	2	Washer
10	104-8301	1	Nut-HF, NI	28	32112-6	6	Nut-Push
11	3296-42	6	Nut-Lock, NI	29	110-6810	2	Stud-Damper
12	1-543017	1	Balljoint-RH	30	3296-4	3	Nut-Lock
13	130-6906	1	Rod-Threaded	31	130-6910-03	1	Bracket-Damper
14	131-0958	1	Damper-Non Cavitating	32	131-1041	2	Cover-End Rod
15	3234-47	4	Screw-HHF	33	32144-44	2	Screw-HWH, Thread Roll
16	32151-48	1	E-Ring	34	32144-70	2	Screw-HWHTF
				35	131-8736	1	Spacer-Bearing

● Not serviced separately

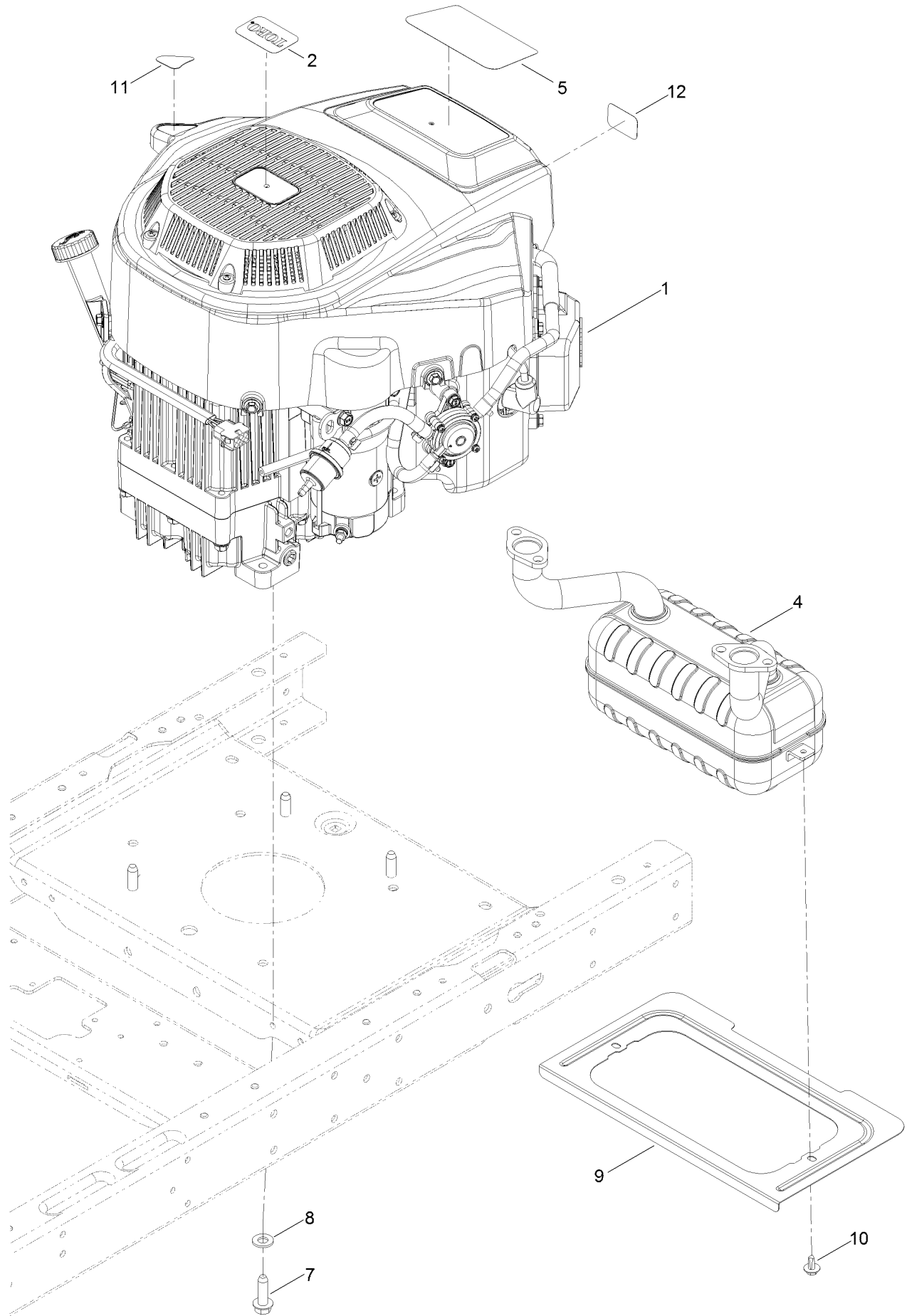
# Fuel Delivery Assembly



## Fuel Delivery Assembly (continued)

<i>Ref.</i>	<i>Part Number</i>	<i>Qty.</i>	<i>Description</i>	<i>Ref.</i>	<i>Part Number</i>	<i>Qty.</i>	<i>Description</i>
3	109-0281	1	Hose-Fuel	10	117-5399	1	Adaptor-Orifice
8	2412-98	3	Clamp-Hose	11	110-1876	1	Hose-Fuel
9	614249	3	Tie-Cable				

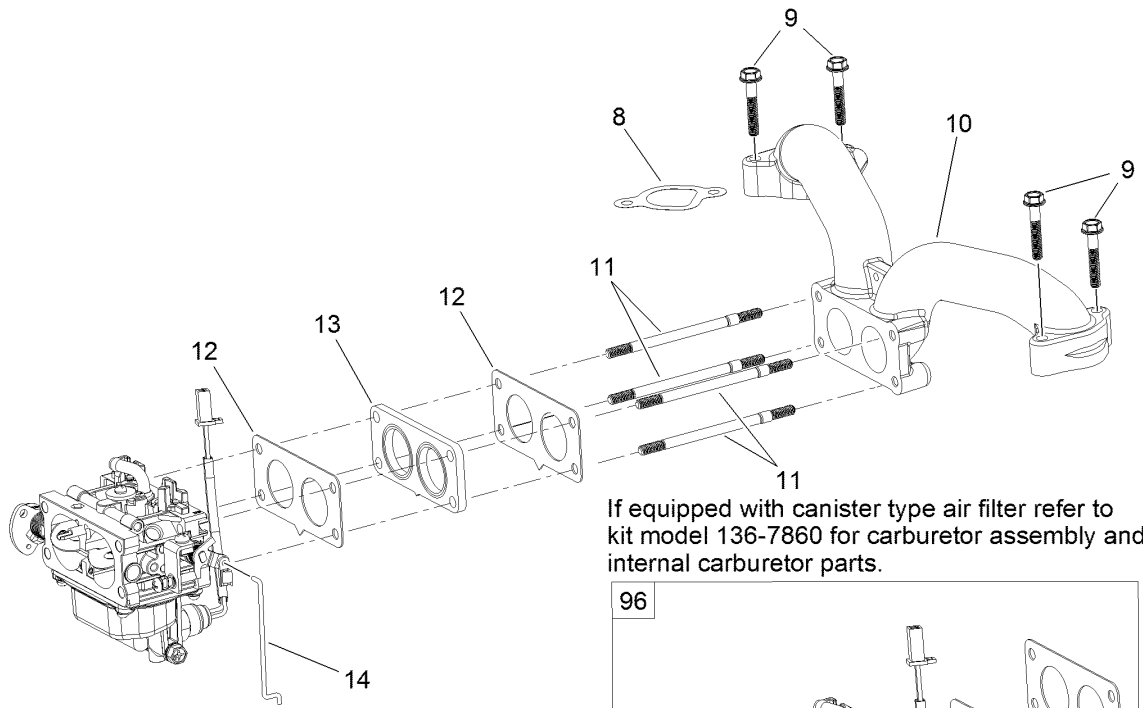
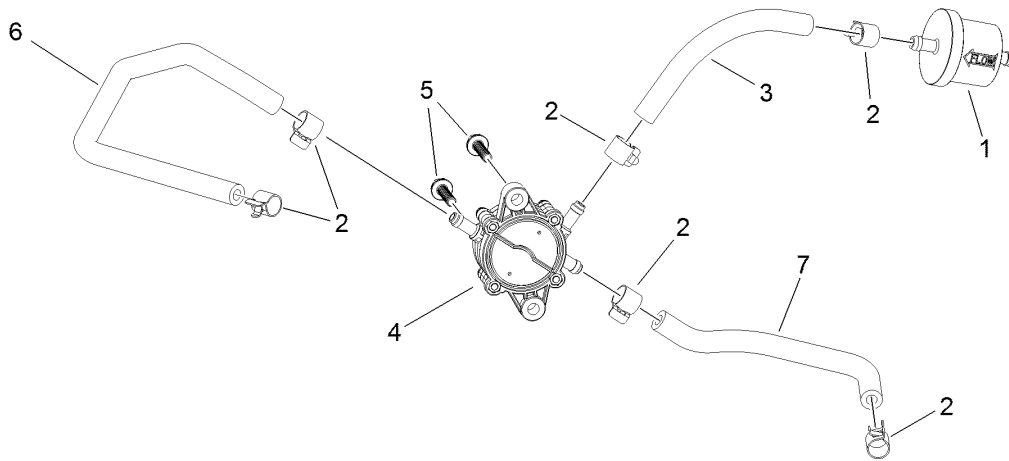
# Engine and Muffler Assembly



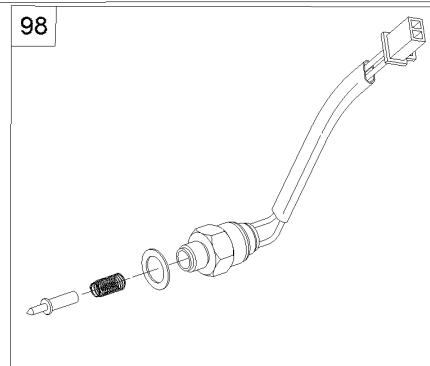
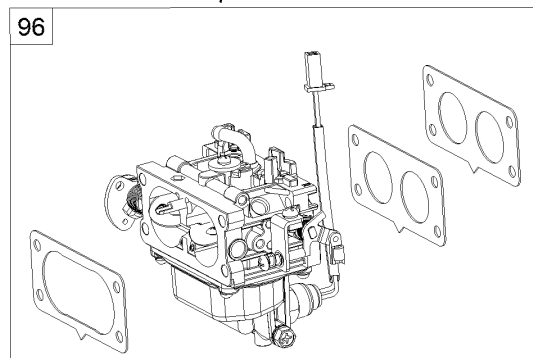
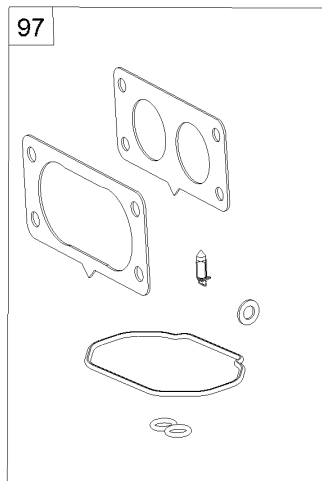
## Engine and Muffler Assembly (continued)

<i>Ref.</i>	<i>Part Number</i>	<i>Qty.</i>	<i>Description</i>	<i>Ref.</i>	<i>Part Number</i>	<i>Qty.</i>	<i>Description</i>
1	127-9041	1	Engine-2P77F	8	3256-24	3	Washer-Flat
2	131-4157	1	Decal	9	131-1071-03	1	Shield-Heat
4	131-4188	1	Muffler	10	46-8560	2	Screw-HHFTF
5	132-0902	1	Decal-Engine	11	131-1097	1	Decal-Drain, Oil
7	32144-109	4	Screw-Taptite	12	127-9076	1	Placard-Intake

# Fuel System Assembly with Non-Canister Style Air Filter



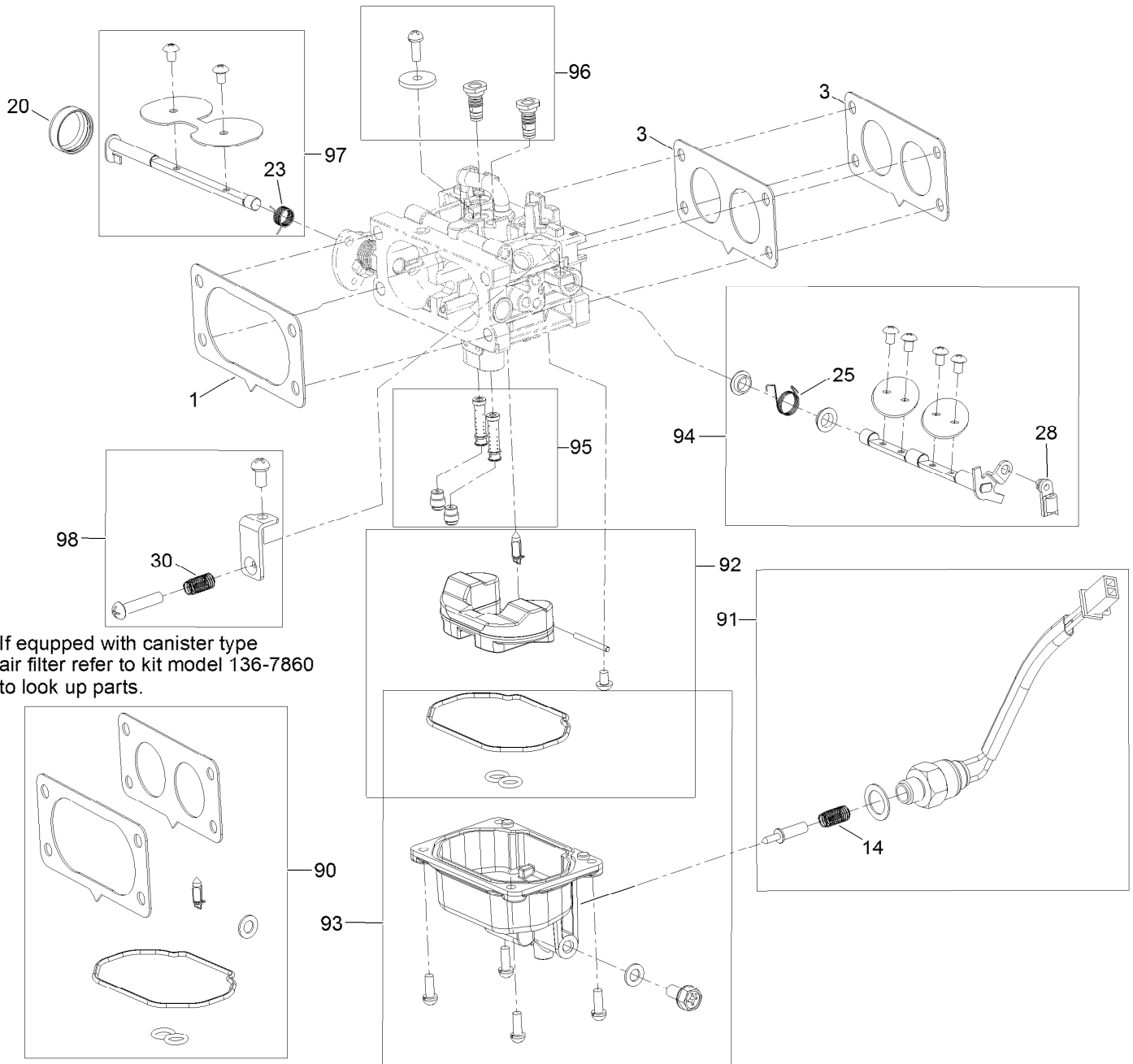
If equipped with canister type air filter refer to kit model 136-7860 for carburetor assembly and internal carburetor parts.



## Fuel System Assembly with Non-Canister Style Air Filter (continued)

<i>Ref.</i>	<i>Part Number</i>	<i>Qty.</i>	<i>Description</i>	<i>Ref.</i>	<i>Part Number</i>	<i>Qty.</i>	<i>Description</i>
1	127-9204	1	Filter-Fuel	10	127-9244	1	Manifold-Intake
2	120-4251	6	Clamp-Fuel Line	11	127-9245	4	Stud
3	120-4371	1	Line-Fuel	12	127-9246	2	Gasket-Carburetor
4	127-9206	1	Pump-Fuel	13	127-9247	1	Insulator-Carburetor
5	120-4225	2	Screw-HHF	14	127-9248	1	Linkage-Throttle
6	127-9205	1	Hose-Fuel	96	127-9289	1	Carburetor Replacement Kit
7	127-9207	1	Hose-Fuel	97	127-9290	1	Carburetor Repair Kit
8	127-9230	2	Gasket-Intake	98	127-9292	1	Solenoid Kit
9	120-4284	4	Screw-HHF				

# Carburetor Assembly with Non-Canister Style Air Filter



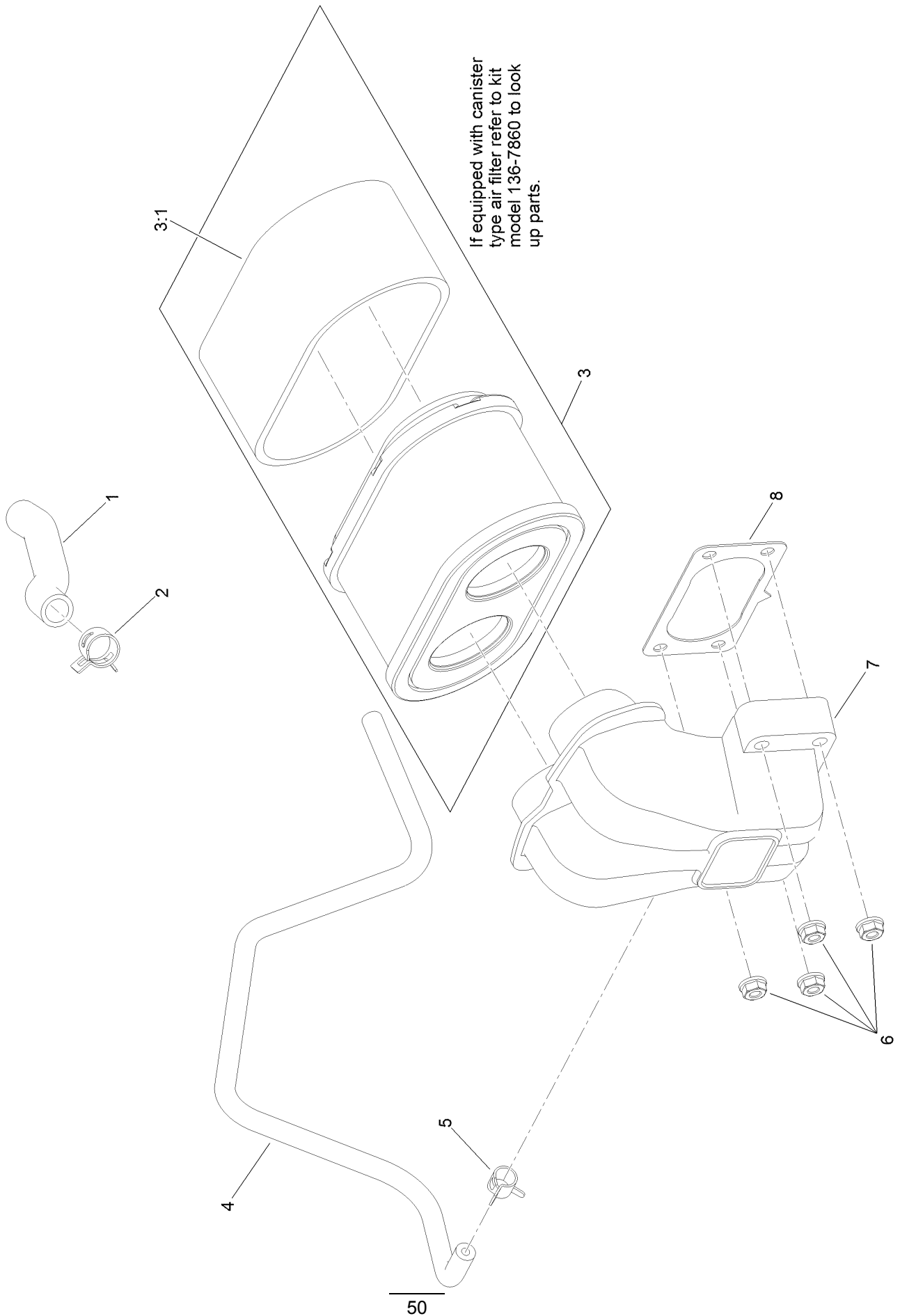
If equipped with canister type air filter refer to kit model 136-7860 to look up parts.



## Carburetor Assembly with Non-Canister Style Air Filter (continued)

<i>Ref.</i>	<i>Part Number</i>	<i>Qty.</i>	<i>Description</i>	<i>Ref.</i>	<i>Part Number</i>	<i>Qty.</i>	<i>Description</i>
1	127-9249	1	Carburetor	90	127-9290	1	Carburetor Repair Kit
1	127-9251	1	Gasket-Carburetor	91	127-9292	1	Solenoid Kit
3	127-9246	2	Gasket-Carburetor	92	127-9340	1	Float Kit
14	127-9319	1	Spring	93	127-9341	1	Bowl Kit
20	127-9325	1	Cover-Shaft, Choke	94	127-9342	1	Throttle Shaft Kit
23	127-9328	1	Spring	95	127-9343	1	Nozzle And Jet Kit
25	127-9330	1	Spring	96	127-9344	1	Air Jet Kit
28	127-9333	1	Clamp-Lock	97	127-9345	1	Choke Shaft Kit
30	127-9335	1	Spring	98	127-9347	1	Idlestop Kit

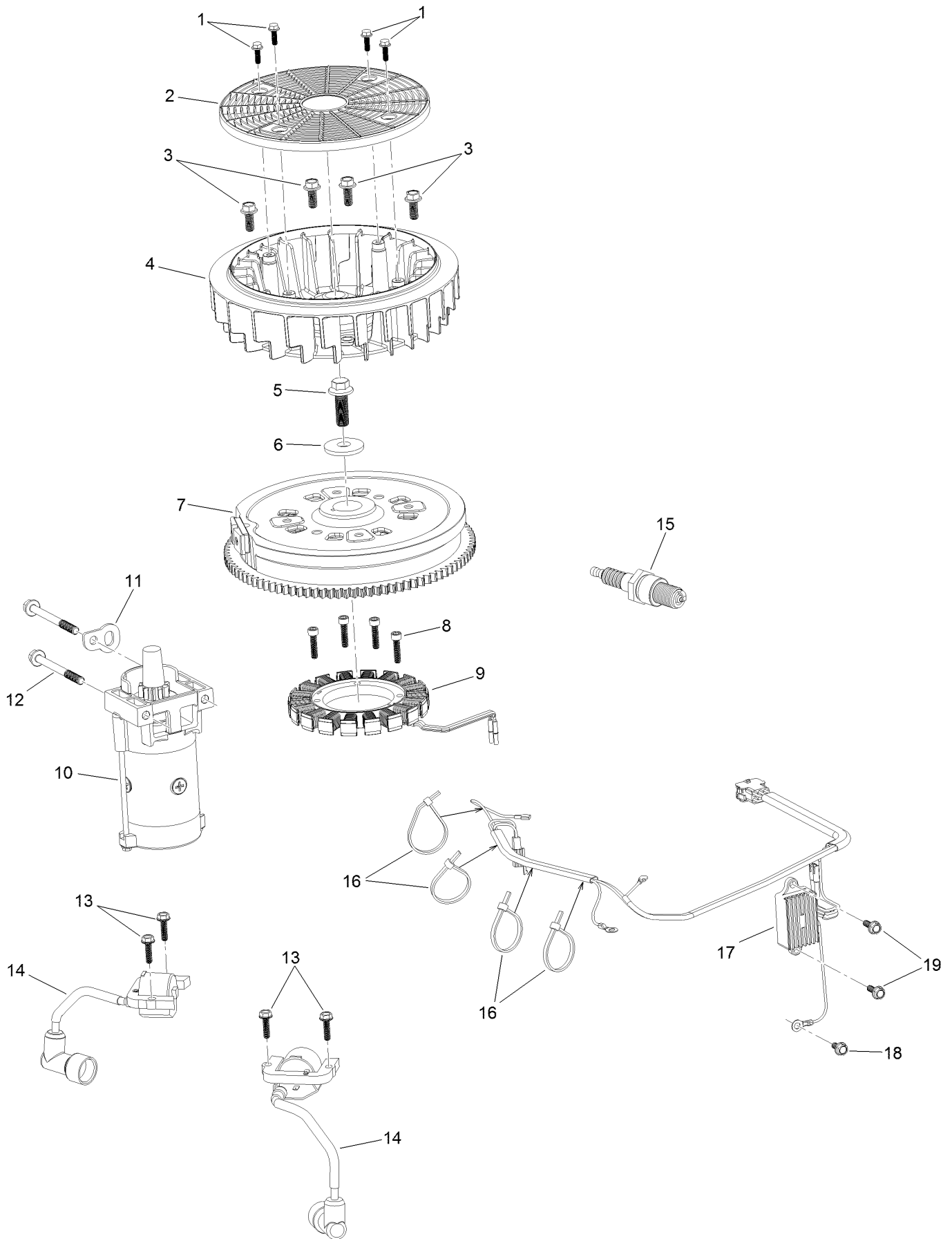
# Air Intake and Filtration Assembly with Non-Canister Style Air Filter



## Air Intake and Filtration Assembly with Non-Canister Style Air Filter (continued)

<i>Ref.</i>	<i>Part Number</i>	<i>Qty.</i>	<i>Description</i>	<i>Ref.</i>	<i>Part Number</i>	<i>Qty.</i>	<i>Description</i>
1	127-9235	1	Tube-Breather	5	127-9187	1	Clamp-Hose
2	127-9234	2	Clamp-Hose	6	120-4236	4	Nut-Flange
3	127-9252	1	Filter-Air, Complete	7	127-9047	1	Manifold-Filter, Air
3:1	127-9288	1	Filter-Pre, Foam	8	127-9251	1	Gasket-Carburetor
4	127-9253	1	Hose-Fuel				

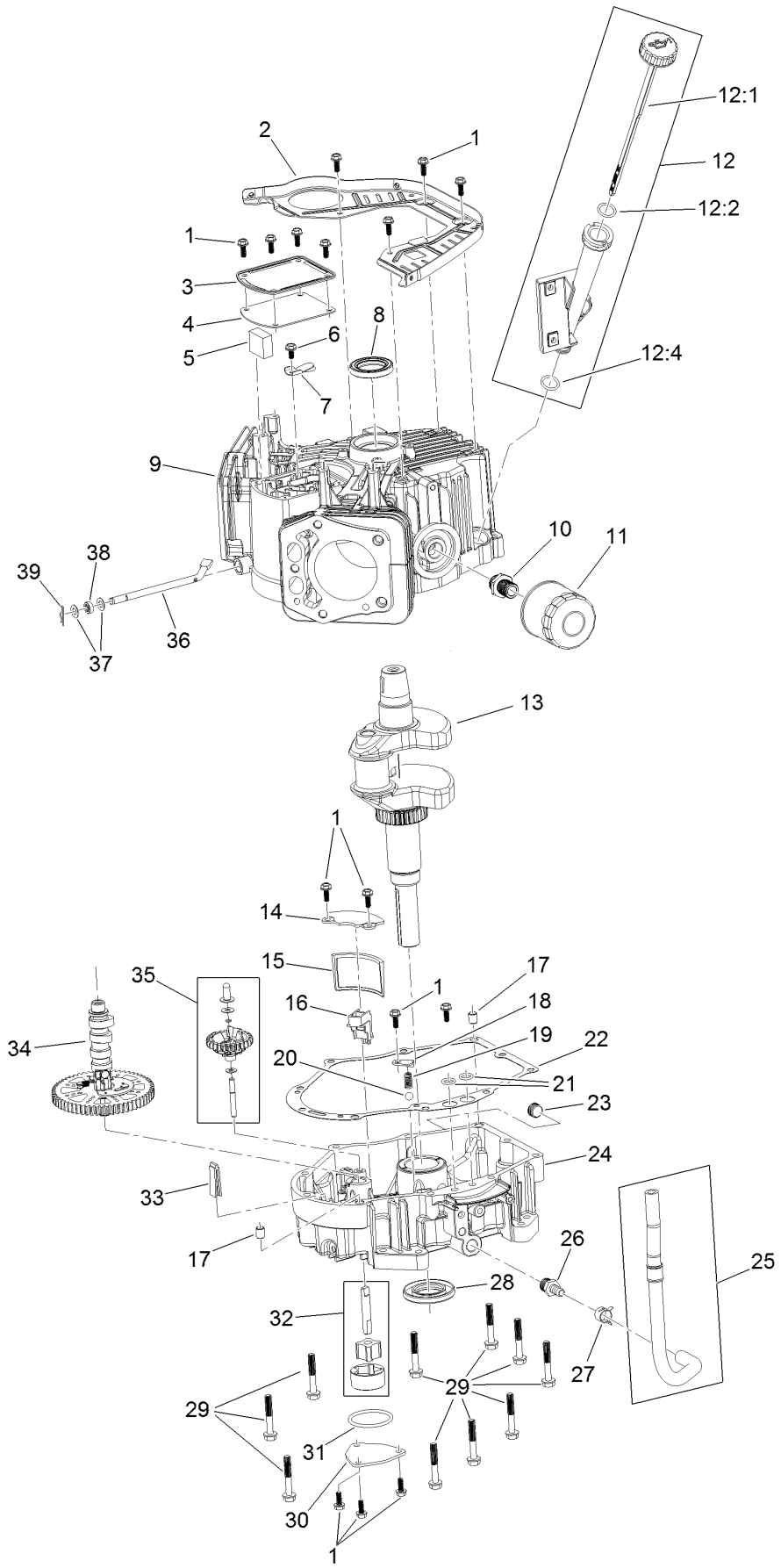
# Ignition and Electrical Assembly



## Ignition and Electrical Assembly (continued)

<i>Ref.</i>	<i>Part Number</i>	<i>Qty.</i>	<i>Description</i>	<i>Ref.</i>	<i>Part Number</i>	<i>Qty.</i>	<i>Description</i>
1	127-9197	4	Screw-HWH	11	127-9208	1	Bracket-Lift
2	127-9198	1	Screen-Rotating	12	120-4231	2	Screw-HHF
3	127-9199	4	Screw-HWH	13	121-0007	4	Bolt-Flange
4	127-9200	1	Fan-Cooling	14	127-9216	2	Ignition Coil ASM
5	127-9201	1	Screw-HWH	15	81-3250	2	Spark Plug
6	127-9202	1	Washer-Flat	16	127-9220	4	Tie-Zip
7	127-9203	1	Flywheel	17	127-9219	1	Regulator-Voltage W/Harness
8	127-9210	4	Screw-HSH	18	120-4216	1	Screw-HHF
9	127-9211	1	Alternator	19	120-4232	2	Screw-HHF
10	127-9209	1	Motor-Starter				

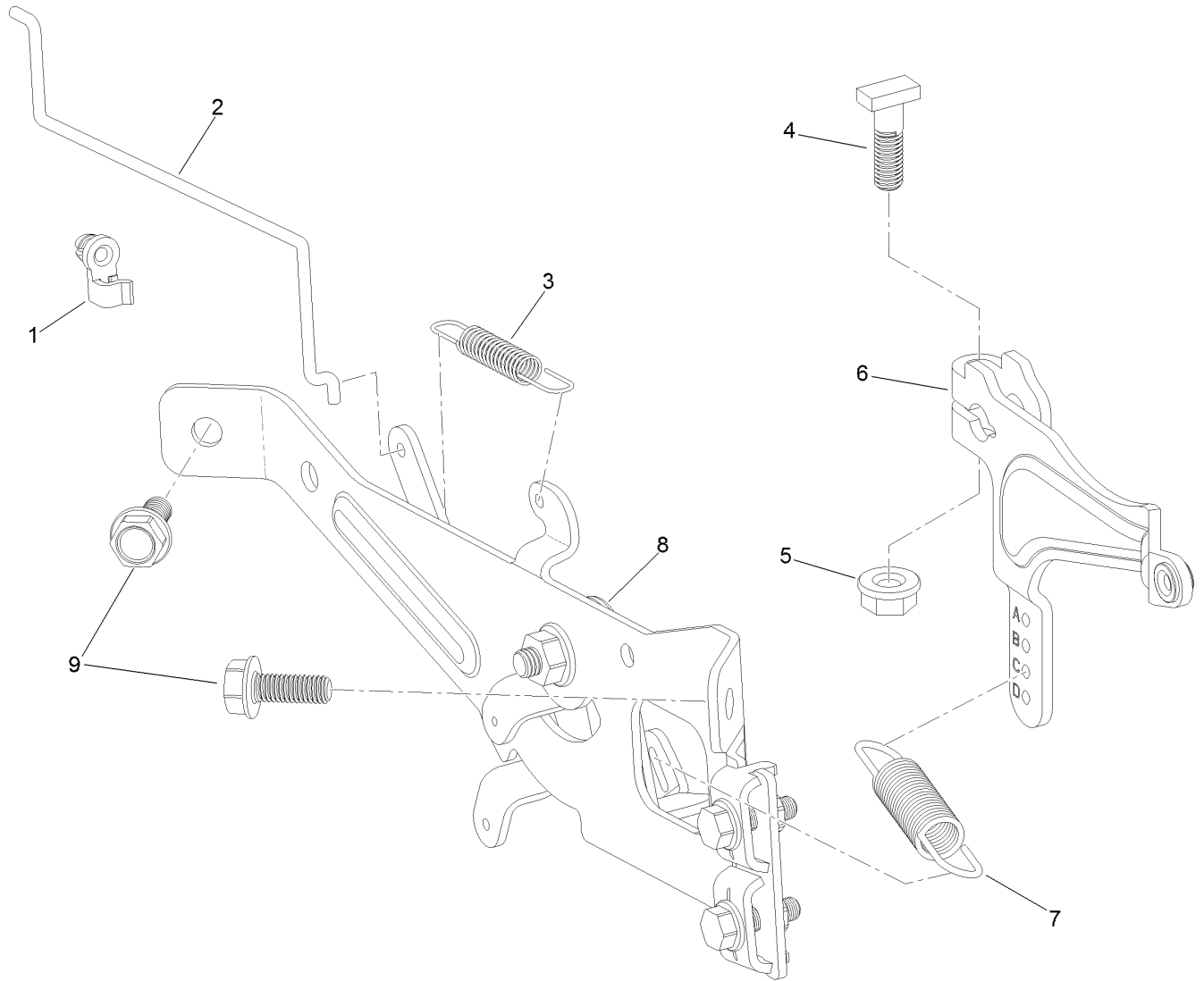
# Crankcase and Crankshaft Assembly



## Crankcase and Crankshaft Assembly (continued)

<i>Ref.</i>	<i>Part Number</i>	<i>Qty.</i>	<i>Description</i>	<i>Ref.</i>	<i>Part Number</i>	<i>Qty.</i>	<i>Description</i>
1	120-4232	14	Screw-HHF	19	127-9265	1	Spring
2	127-9212	1	Baffle	20	127-9266	1	Valve-Ball
3	127-9213	1	Cover-Breather	21	120-4262	2	O-Ring
4	127-9214	1	Gasket-Breather	22	127-9267	1	Gasket-Cover, Crankcase
5	127-9215	1	Filter-Breather	23	120-4285	1	Plug-Drain
6	120-4216	1	Screw-HHF	24	127-9268	1	Cover-Crankcase
7	127-9217	1	Valve-Breather	25	127-9293	1	Oil Drain Hose ASM
8	120-4267	1	Seal-Oil	26	127-9275	1	Fitting-Hose
9	127-9223	1	Crankcase	27	127-9276	1	Clamp-Hose
10	127-9221	1	Fitting-Threaded, Oil Filter	28	127-9271	1	Seal
11	120-4276	1	Filter-Oil	29	121-0473	10	Screw-HHF
12	127-9218	1	Oil Tube ASM	30	127-9274	1	Cover-Oil Pump
12:1	127-9283	1	Dipstick	31	127-9273	1	O-Ring
12:2	127-9284	1	O-Ring	32	127-9272	1	Oil Pump ASM
12:4	127-9286	1	O-Ring	33	120-4275	1	Deflector-Oil, Rubber
13	127-9255	1	Crankshaft	34	127-9269	1	Camshaft
14	127-9261	1	Cover-Screen, Oil	35	127-9270	1	Governor ASM
15	127-9262	1	Screen-Oil	36	127-9238	1	Rod-Governor
16	127-9263	1	Retainer-Screen	37	120-4258	2	Washer-Plain
17	120-4274	2	Pin-Dowel	38	120-4257	1	Seal-Oil
18	127-9264	1	Plate-Retainer	39	120-4256	1	Pin-Hair

# Governor Control Assembly

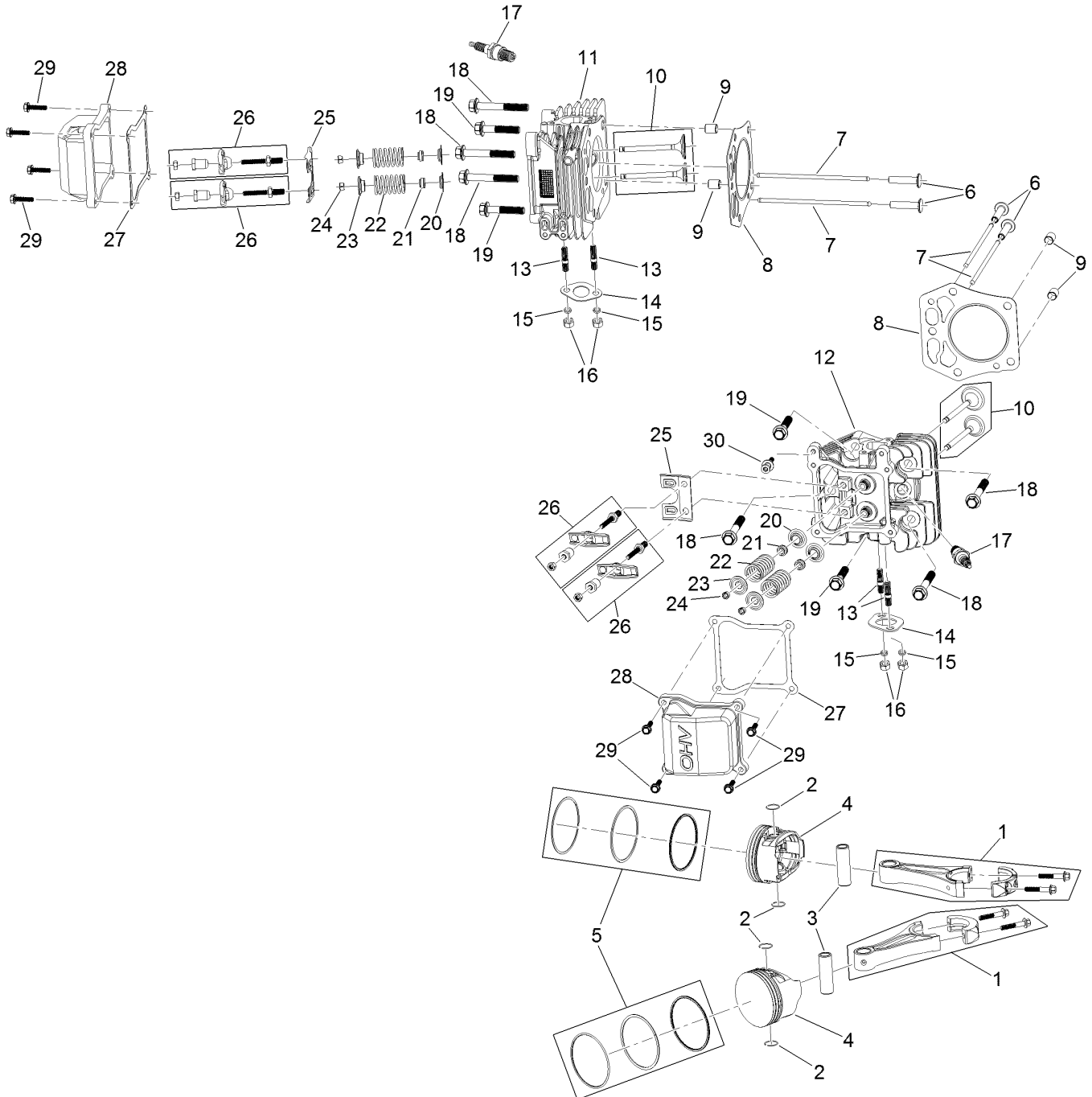




## Governor Control Assembly (continued)

<i>Ref.</i>	<i>Part Number</i>	<i>Qty.</i>	<i>Description</i>	<i>Ref.</i>	<i>Part Number</i>	<i>Qty.</i>	<i>Description</i>
1	127-9250	1	Clip-Linkage	6	127-9239	1	Arm-Governor
2	127-9242	1	Linkage-Choke	7	127-9240	1	Spring-Governor
3	127-9241	1	Spring-Governor	8	127-9243	1	Plate-Control
4	120-4238	1	Bolt-Arm, Governor	9	120-4232	2	Screw-HHF
5	120-4236	1	Nut-Flange				

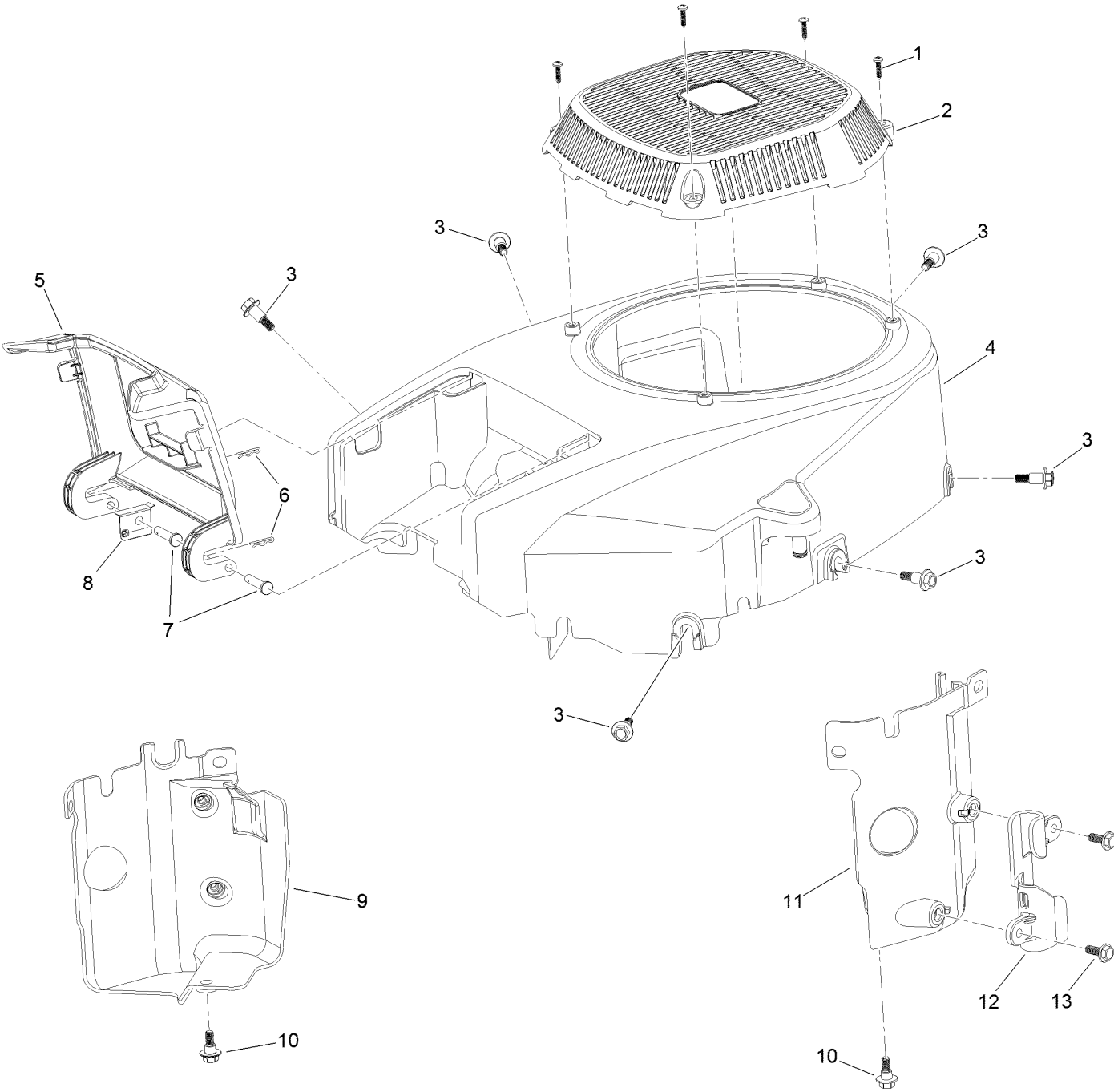
# Piston and Cylinder Head Assembly



## Piston and Cylinder Head Assembly (continued)

<i>Ref.</i>	<i>Part Number</i>	<i>Qty.</i>	<i>Description</i>	<i>Ref.</i>	<i>Part Number</i>	<i>Qty.</i>	<i>Description</i>
1	127-9256	2	Connecting Rod ASM	16	121-0199	4	Nut-HH
2	127-9258	4	Clip-Pin, Piston	17	81-3250	2	Spark Plug
3	127-9257	2	Pin-Piston	18	127-9231	6	Screw-HWH
4	127-9259	2	Piston	19	127-9232	4	Screw-HWH
5	127-9260	2	Piston Ring Set	20	120-4303	4	Seat-Spring, Valve
6	127-9224	4	Lifter-Valve	21	120-4304	4	Seal-Stem, Valve
7	127-9225	4	Rod-Push	22	120-4305	4	Spring-Valve
8	127-9226	2	Gasket-Head, Cylinder	23	120-4306	4	Retainer-Spring, Valve
9	127-9227	4	Pin-Dowel	24	120-4307	4	Keeper-Valve
10	127-9228	2	Valve Set	25	127-9233	2	Plate-Guide, Push Rod
11	127-9229	1	Head-Cylinder	26	127-9294	4	Rocker Arm ASM
12	127-9254	1	Head-Cylinder	27	127-9295	2	Gasket-Valve Cover
13	127-9236	4	Stud	28	127-9050	2	Cover-Valve
14	120-4317	2	Gasket-Exhaust	29	120-4225	8	Screw-HHF
15	127-9279	4	Washer-Lock, Split	30	120-4214	1	Screw-Shoulder, HH

# Blower Housing Assembly

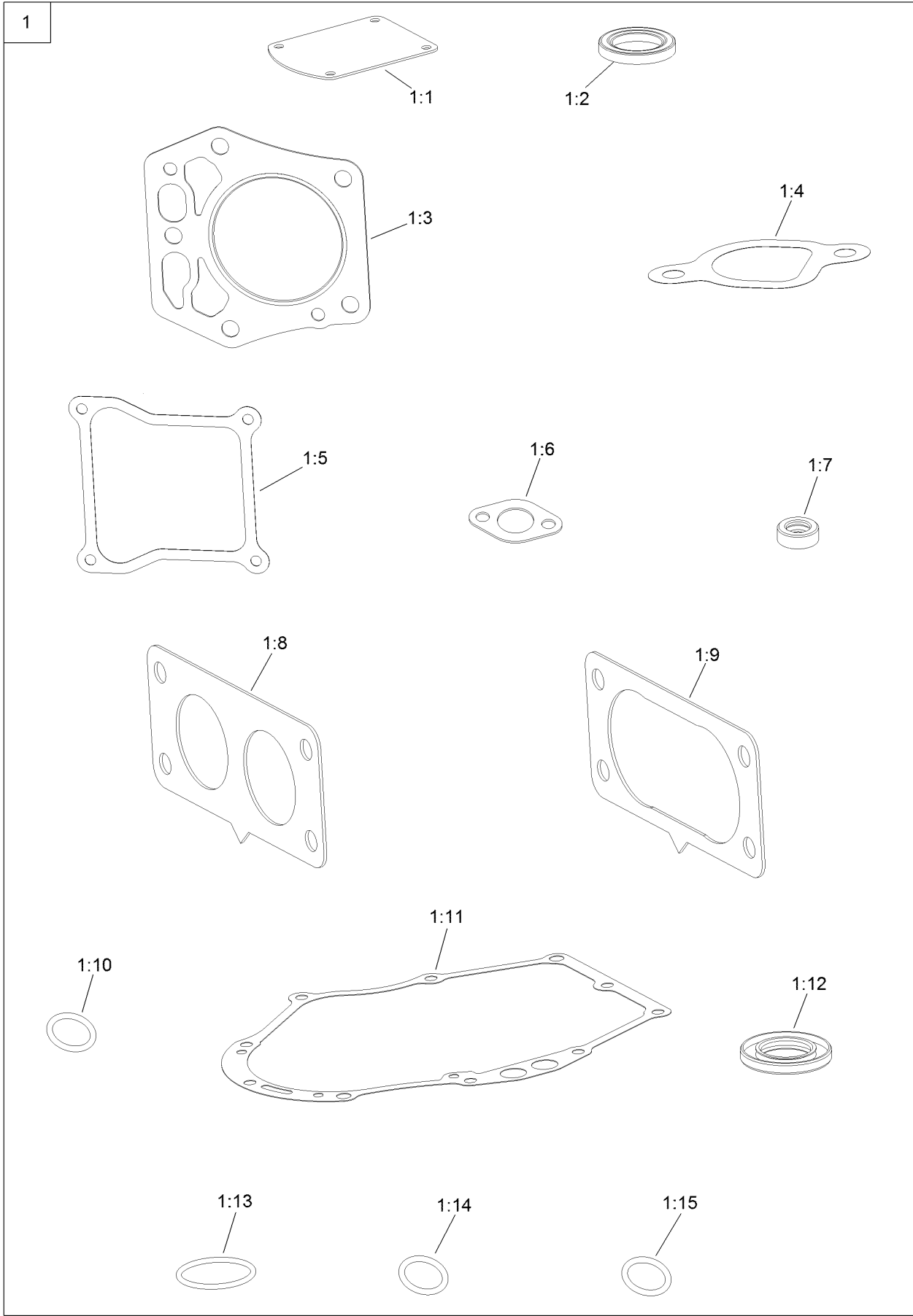


## Blower Housing Assembly (continued)

<i>Ref.</i>	<i>Part Number</i>	<i>Qty.</i>	<i>Description</i>	<i>Ref.</i>	<i>Part Number</i>	<i>Qty.</i>	<i>Description</i>
1	127-9195	4	Screw-Plastic, PPH	8	127-9281	1	Plate-Spring
2	127-9045	1	Cover-Fan	9	127-9049	1	Baffle-Air, Left
3	127-9196	6	Screw-Shoulder, HWH	10	120-4210	2	Screw-Shoulder, HHF
4	127-9044	1	Shroud-Engine	11	127-9048	1	Baffle-Air, Right
5	127-9046	1	Door-Filter, Air	12	127-9287	1	Cleat-Hose
6	127-9280	2	Pin-Hair	13	120-4232	2	Screw-HHF
7	127-9282	2	Pin				

# Gasket and Seal Kit Assembly

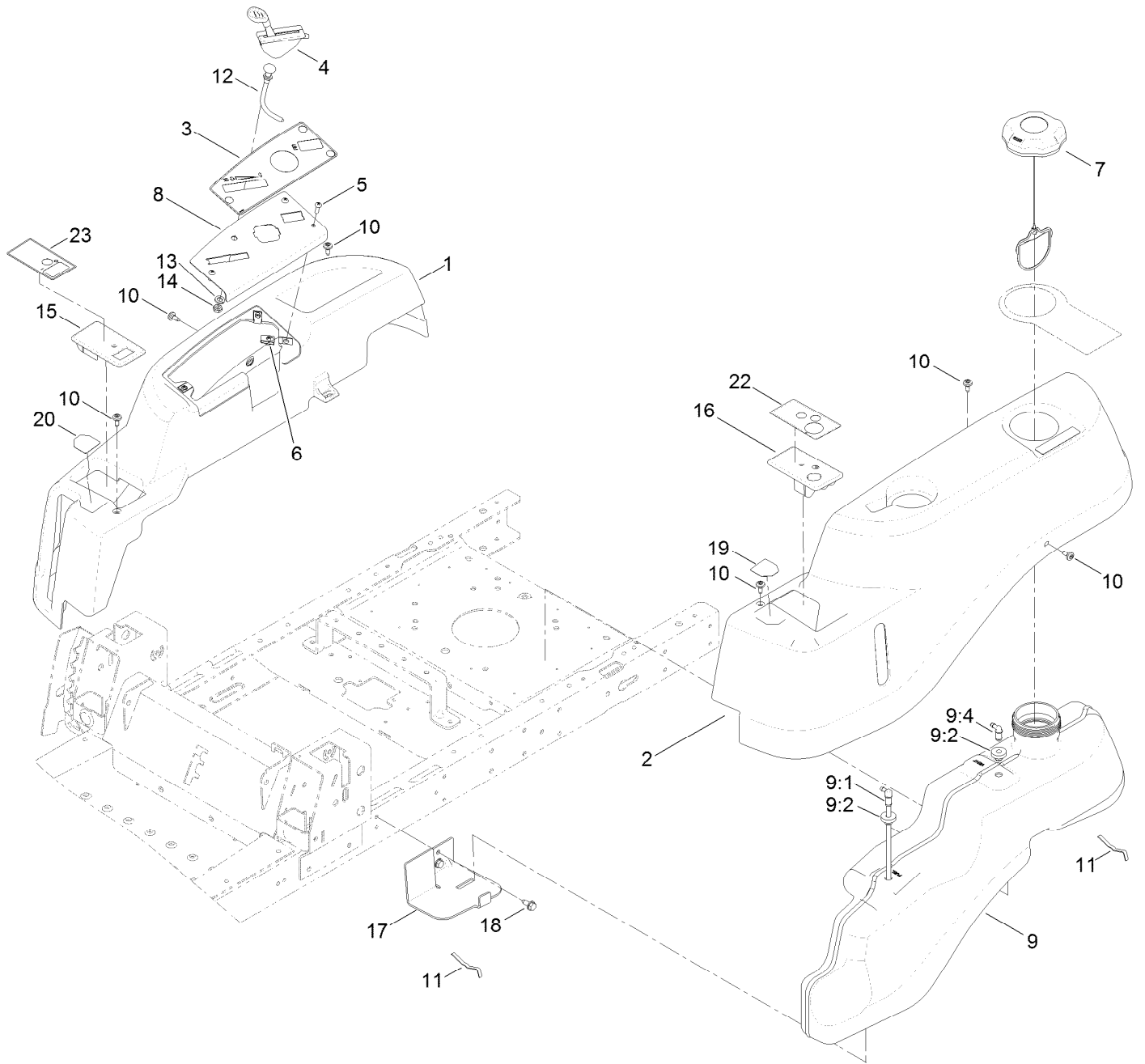
1



## Gasket and Seal Kit Assembly (continued)

<i>Ref.</i>	<i>Part Number</i>	<i>Qty.</i>	<i>Description</i>	<i>Ref.</i>	<i>Part Number</i>	<i>Qty.</i>	<i>Description</i>
1	127-9296	1	Gasket And Seal Kit	1:8	127-9246	2	Gasket-Carburetor
1:1	127-9214	1	Gasket-Breather	1:9	127-9251	1	Gasket-Carburetor
1:2	120-4267	1	Seal-Oil	1:10	120-4262	2	O-Ring
1:3	127-9226	2	Gasket-Head, Cylinder	1:11	127-9267	1	Gasket-Cover, Crankcase
1:4	127-9230	2	Gasket-Intake	1:12	127-9271	1	Seal
1:5	127-9295	2	Gasket-Valve Cover	1:13	127-9273	1	O-Ring
1:6	120-4317	2	Gasket-Exhaust	1:14	127-9284	1	O-Ring
1:7	120-4257	1	Seal-Oil	1:15	127-9286	1	O-Ring

# Body Styling and Fuel Pod Assembly

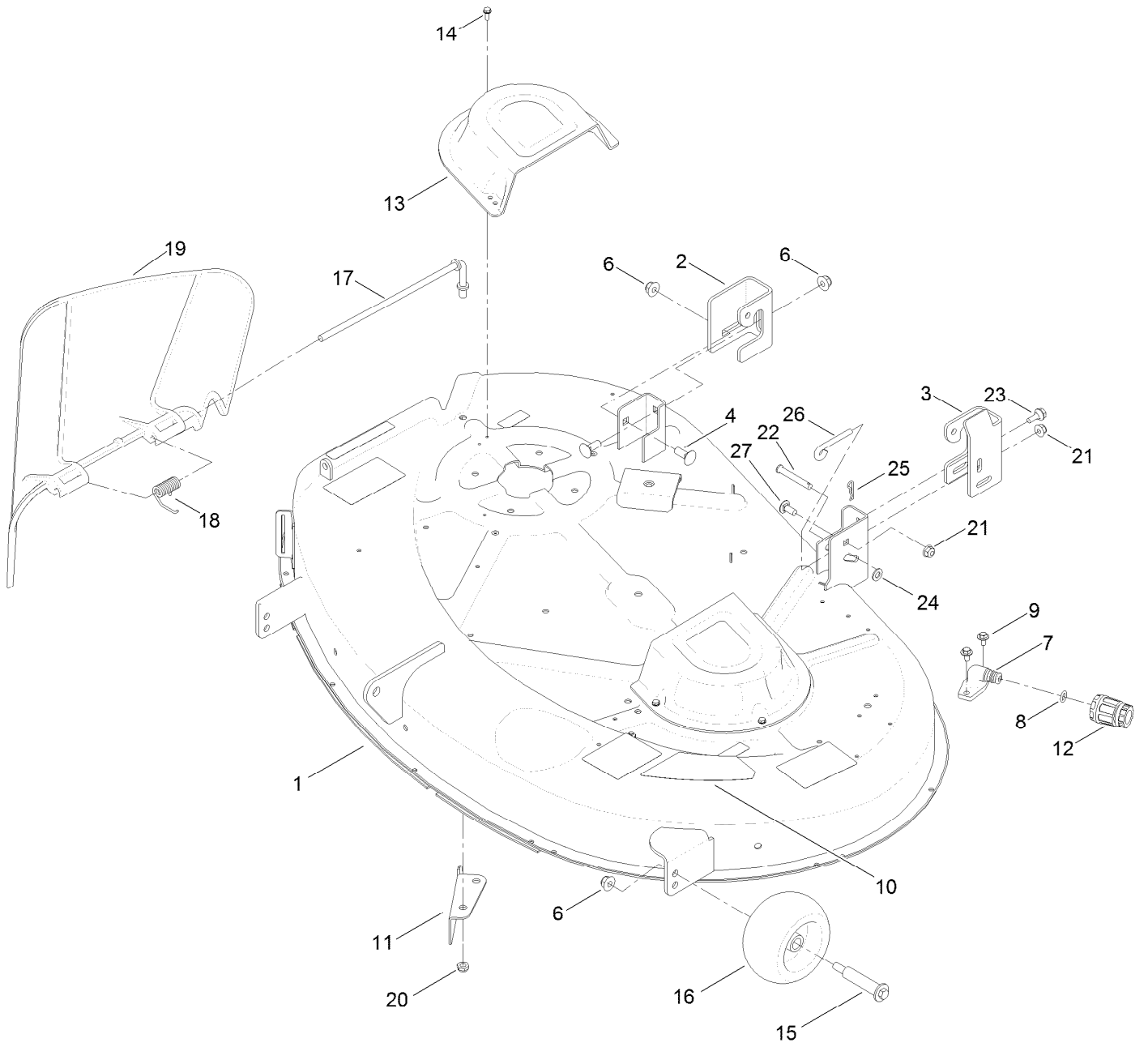




## Body Styling and Fuel Pod Assembly (continued)

<i>Ref.</i>	<i>Part Number</i>	<i>Qty.</i>	<i>Description</i>	<i>Ref.</i>	<i>Part Number</i>	<i>Qty.</i>	<i>Description</i>
1	119-3335	1	Pod-RH	11	609830	2	Spring
2	119-3334	1	Pod-LH	12	112-9753	1	Cable-Choke
3	121-0772	1	Decal-Panel, Control	13	3253-21	1	Washer-Lock
4	121-0769	1	Cable-Throttle	14	3220-3	1	Nut-HJ
5	3258-166	3	Screw-PRH	15	130-7041	1	Cover-RH
6	107069	3	Clip	16	130-7042	1	Cover-LH
7	120-5461	1	Cap-Fuel, Ratcheting	17	119-3476-03	1	Support-Tank, Front
8	119-3378-03	1	Plate-Control	18	32144-70	2	Screw-HWHTF
9	119-3324	1	Fuel Tank ASM	19	131-3621	1	Decal-Nmir
9:1	121-0793	1	Connector-Elbow, 90 DEG	20	131-3620	1	Decal-Control, Pedal
9:2	46-6560	2	Bushing	22	131-3665	1	Decal-Keychoice
9:4	117-7400	1	Fitting-Plastic	23	131-3955	1	Decal-Brake, Parking
10	120-7950	8	Screw-Shoulder				

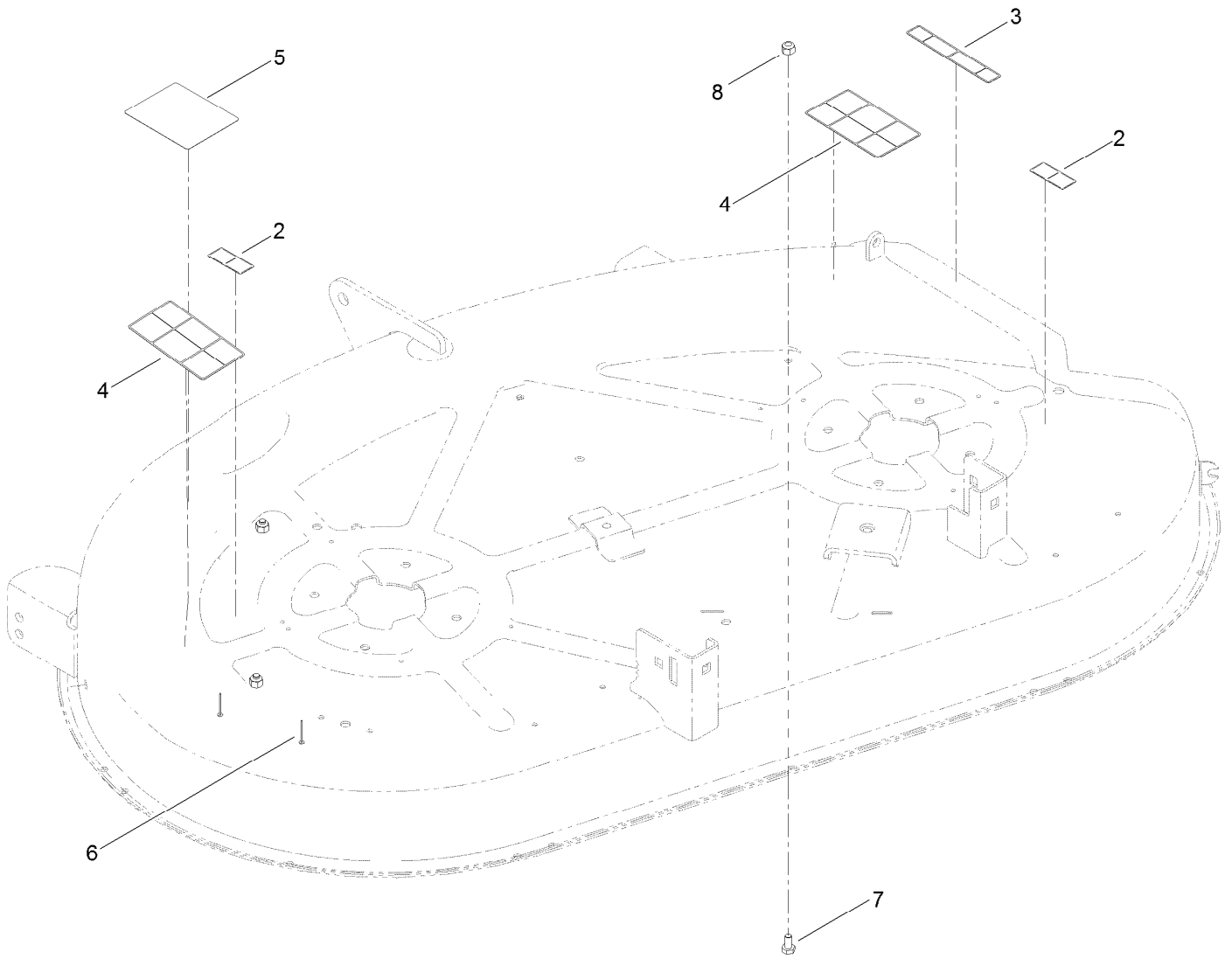
# 42 Inch Deck Assembly



## 42 Inch Deck Assembly (continued)

<i>Ref.</i>	<i>Part Number</i>	<i>Qty.</i>	<i>Description</i>	<i>Ref.</i>	<i>Part Number</i>	<i>Qty.</i>	<i>Description</i>
1	131-3604	1	42 Inch Deck And Decal ASM	15	112-3977	2	Bolt-Shoulder
2	131-4138	1	Bracket-Hanger, RH	16	1-603299	2	Roller-Scalp, Anti
3	131-1091	1	Bracket-Hanger, LH	17	112-4026	1	Rod-Pivot
4	3231-2	2	Bolt-CARR	18	110-6694	1	Spring-Torsion
6	104-8301	4	Nut-HF, NI	19	112-3951	1	Deflector
7	95-2747	1	Fitting-Washout	20	3296-59	1	Nut-Lock, NI
8	46-6290	1	O-Ring	21	104-8300	2	Nut-HF, NI
9	46-8560	2	Screw-HHFTF	22	110-0618	1	Pin-Clevis
10	117-1222	1	Decal	23	120-7024	1	Screw-Shoulder, HHF
11	112-3983-03	1	Baffle-Cutoff	24	3256-23	1	Washer-Plain
12	95-3270	1	Connector-Hose	25	1-806003	1	Pin-Cotter
13	108-7889	2	Cover-Belt	26	131-0955	1	Rod-Level, Deck
14	32144-1	6	Screw-Taptite	27	3230-23	1	Screw-CARR

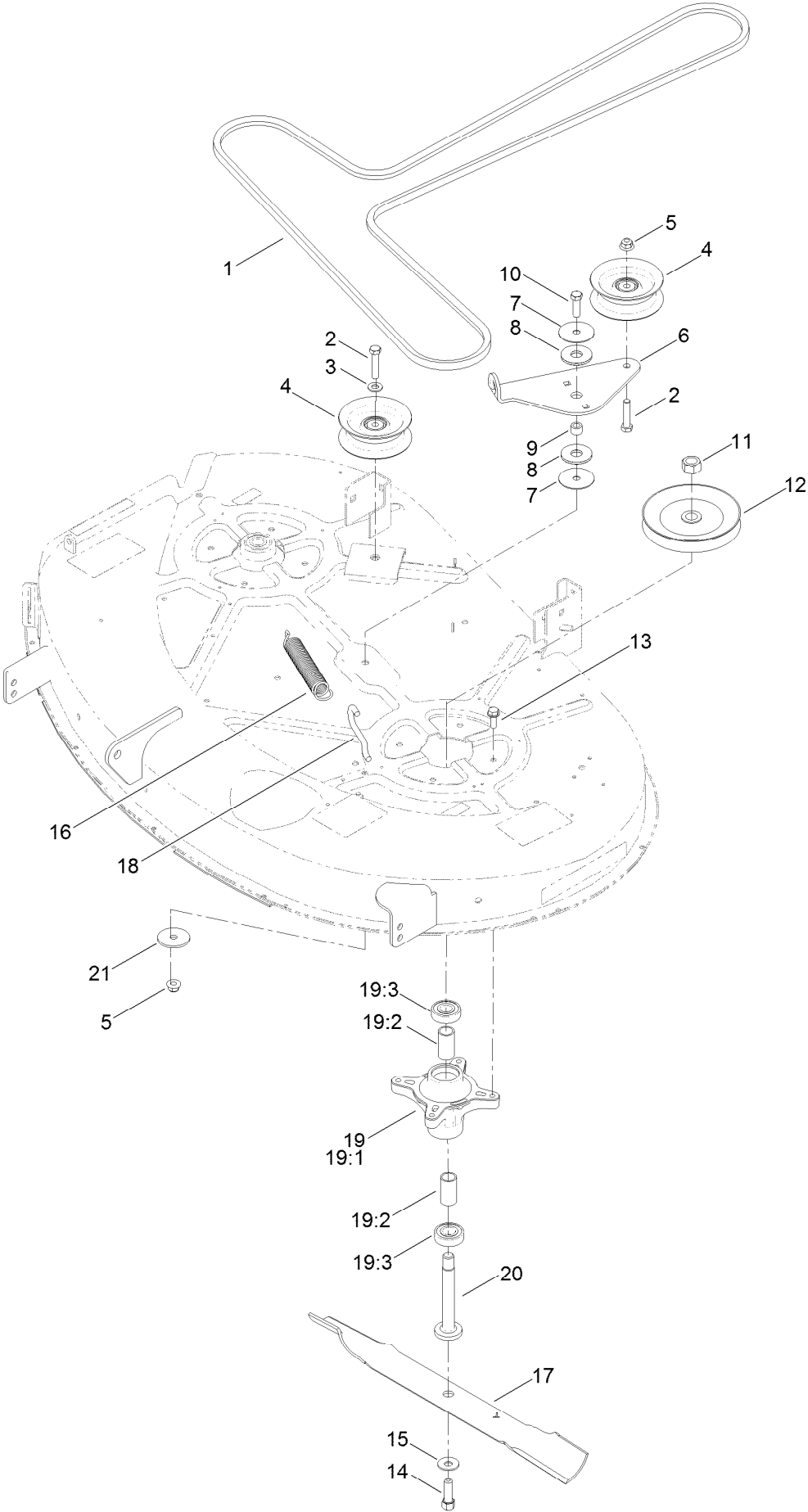
# 42 Inch Deck Assembly No. 131-3604



## 42 Inch Deck Assembly No. 131-3604 (continued)

<i>Ref.</i>	<i>Part Number</i>	<i>Qty.</i>	<i>Description</i>	<i>Ref.</i>	<i>Part Number</i>	<i>Qty.</i>	<i>Description</i>
2	114-1606	2	Decal-Danger	6	3290-282	2	Rivet-Blind
3	93-7009	1	Decal-Danger	7	321-2	3	Screw-HH
4	110-6691	2	Decal-Danger	8	3296-42	3	Nut-Lock, NI
5	105-7015	1	Decal-Routing, Belt				

# 42 Inch Deck, Belt and Blade Assembly



## 42 Inch Deck, Belt and Blade Assembly (continued)

<i>Ref.</i>	<i>Part Number</i>	<i>Qty.</i>	<i>Description</i>	<i>Ref.</i>	<i>Part Number</i>	<i>Qty.</i>	<i>Description</i>
1	119-8819	1	V-Belt	13	32144-41	8	Screw-Taptite
2	323-9	2	Screw-HH	14	26-0671	2	Screw-HH
3	3256-24	1	Washer-Flat	15	3290-465	2	Washer-Belleville
4	106-2175	2	Pulley-Idler, Flat	16	106-2177	1	Spring-Extension
5	104-8301	2	Nut-HF, NI	17	131-3939-03	2	Blade-High Lift
6	114-8540	1	Arm-Idler	18	88-5970	1	Hook-Return, Spring
7	120-2229	2	Washer	19	121-0751	2	Spindle ASM
8	114-0463	2	Washer-Friction, Composite	19:1	117-7267	1	Spindle
9	115-4986	1	Spacer	19:2	120-7935	2	Spacer
10	323-7	1	Screw-HH	19:3	100-1048	2	Bearing-Ball
11	3219-6	2	Nut-Hex	20	117-7268	2	Shaft-Spindle
12	125-5574	2	Pulley	21	63-7400	1	Washer-Rebound

# Attachments and Accessories

## For 74784 TimeCutter SW 4200 Riding Mower

<b>Product Name</b>	<b>Model/Part</b>
42in Blowout Ring Kit.....	114-1620
Hourmeter Kit .....	116-5461
All Season Synthetic Oil.....	117-0066
Fuel Stabilizer (4oz).....	117-0089
Fuel Stabilizer (16oz).....	117-0090
Seat With Armrests-18in.....	119-8830
Striping Kit .....	120-7905
Jack Mount Kit .....	126-5251
Replacement Blade Kit .....	131-3939-03P
Attachment Mount Kit .....	131-3966
42in Recycler Kit.....	131-4182
Deluxe Seat Kit .....	131-7699
HD Air Cleaner Kit .....	136-7860
10w30 4-cycle Engine Oil (32oz Bottle) .....	38280
Toro 4-cycle SAE 30 Oil (32oz Bottle) .....	38903
Storage Cover .....	490-7516
Sunshade Kit .....	79011
Cargo Carrier.....	79040
42in Bagger .....	79381



**Notes:**

**Notes:**

**Notes:**



**Count on it.**