



Count on it.

Parts Catalog

**52in TITAN[®] HD 2500 Series
Riding Mower**

Model No. 74471—Serial No. 40000000 and Up



Ordering Replacement Parts

To order replacement parts, please supply the part number, the quantity, and the description of each part desired.

Understanding Reference Numbers

Each identified part in an illustration has a reference number. The reference number for a part also appears in the parts list, along with other information about the part.

This catalog uses two special reference number formats, one to indicate parts in a service assembly and another to indicate the quantity of a given part in an illustration.

Service Assembly Reference Numbers

Parts in service assemblies have reference numbers in the form a:b. The a represents the reference number of the entire service assembly and the b represents a sequential number unique to each part within the service assembly.

For example, a wheel assembly might be identified by reference number 6, the tire by 6:1, the valve by 6:2, and the wheel by 6:3. When you order the assembly identified by reference number 6, you receive all parts identified by reference numbers 6:1, 6:2, and 6:3. However, you may also order any part individually. Reference numbers of this type appear in illustration and in parts lists.

Reference Numbers Indicating Quantity

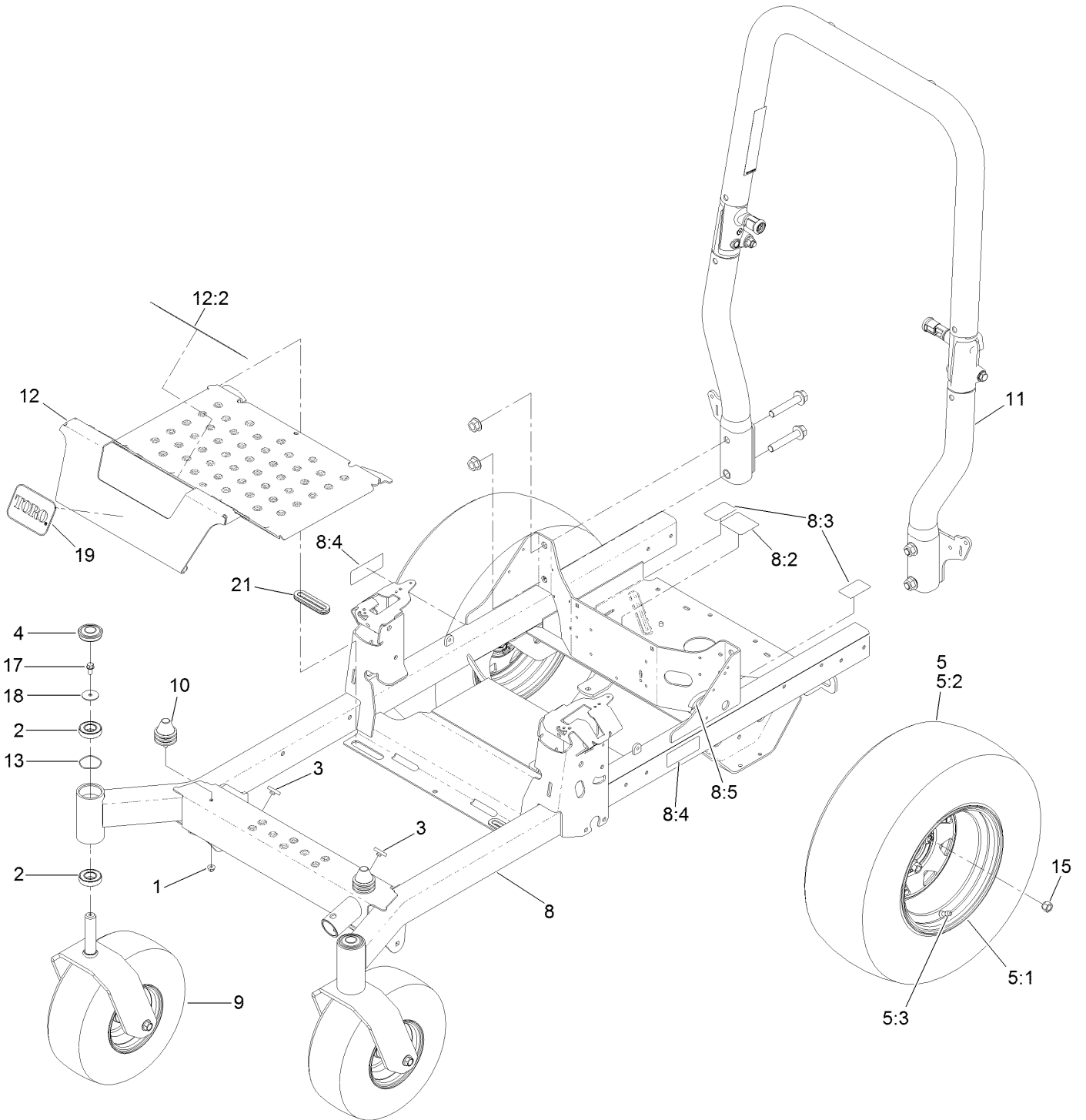
In an illustration, if a reference number indicates more than one part, the reference number has the form nX y. The n represents the quantity of the part, the X is the multiplication symbol, and the y represents the reference number.

For example, in an illustration, the reference number 2X 37 means that two of the parts identified by reference number 37 are indicated.

Contents

Frame, Roll-Over Protection System and Caster Assembly	4
Fork and Caster Wheel Assembly	6
Roll-Over Protection System Assembly No. 126-9526	8
Hydraulic Assembly	10
LH Transaxle Assembly No. 126-2883	12
RH Transaxle Assembly No. 126-2884	14
Control Console and Guard Assembly	16
Fuel System and Vent Hose Assembly	18
Fuel Tank Assembly No. 126-4724	20
Seat Mount Assembly	22
Seat Pan and Latch Assembly No. 126-7309	24
Seat Assembly No. 126-8293	26
Motion Control Assembly	28
LH Motion Control Assembly	30
RH Motion Control Assembly	32
Electrical Assembly	34
Wire Harness Assembly No. 126-5803	36
Deck Lift Assembly	38
Deck Strut Assembly No. 126-8365	40
Engine Assembly	42
Deck Assembly	44
Deck Decal Assembly No. 127-6797	46
Idler Arm Assembly No. 126-0976	48
Rubber Deflector Assembly No. 108-2792	50
Attachments and Accessories	52

Frame, Roll-Over Protection System and Caster Assembly

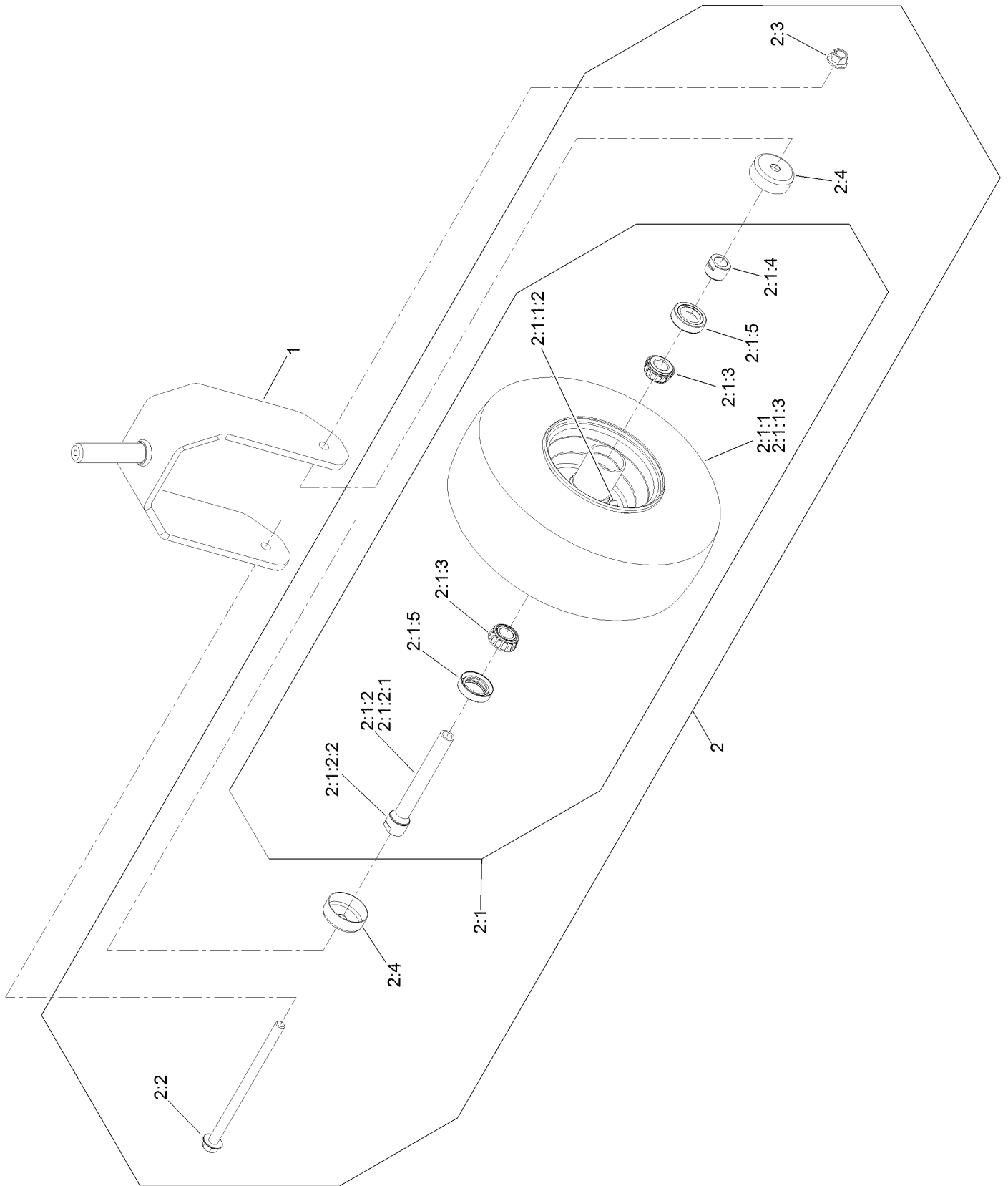


Frame, Roll-Over Protection System and Caster Assembly (continued)

<i>Ref.</i>	<i>Part Number</i>	<i>Qty.</i>	<i>Description</i>	<i>Ref.</i>	<i>Part Number</i>	<i>Qty.</i>	<i>Description</i>
1	104-8300	2	Nut-HF, NI	9		2	Front Caster ASM (W/Fork)
2	109-3678	4	Bearing-Ball			●	
3	109-9233	2	Bumper-Push-In, Rubber	10	126-5491	2	Isolator
4	116-4348	2	Cap-Grease	11	126-9526	1	ROPS ASM
5	126-7831	2	Wheel And Tire ASM	12	126-5872	1	Pan-Floor
5:1	126-7828	1	Rim-Wheel	12:2	126-8383	1	Decal-Danger
5:2	126-4875	1	Tire	13	126-5897	2	Spring
5:3	232-27	1	Stem-Valve	15	242-50	8	Nut-Lug
8	126-4699	1	Frame ASM	17	3234-5	2	Screw-HHF
8:2	109-6014	1	Decal-Routing, Belt	18	3256-68	2	Washer-Flat
8:3	116-8588	2	Decal-Release, Drive	19	67-1300	1	Decal
8:4	126-4363	2	Decal-Warning	21	126-7065	2	Grommet-Rubber
8:5	127-6618	1	Strip-Seal				

● Not serviced separately

Fork and Caster Wheel Assembly

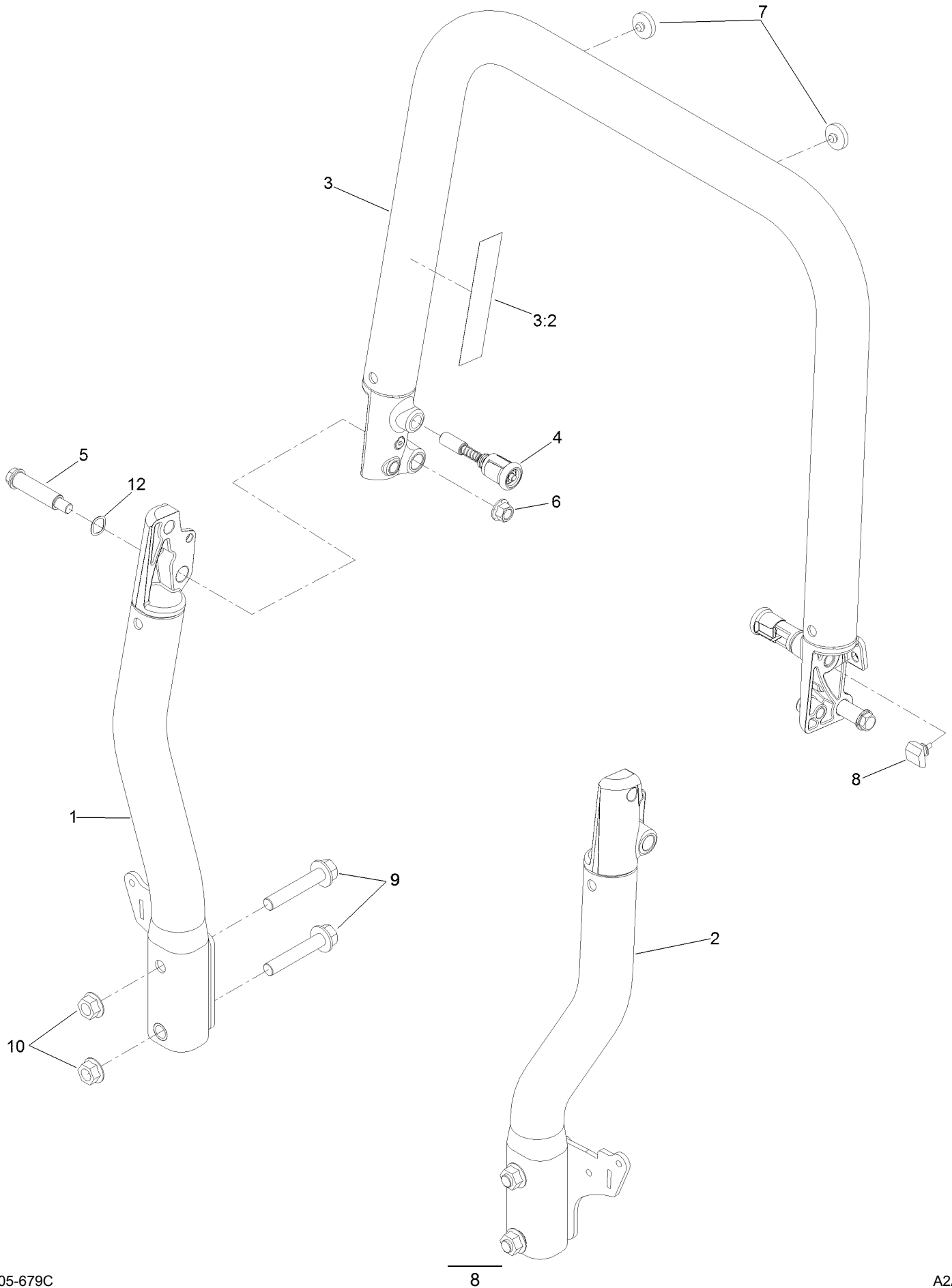


Fork and Caster Wheel Assembly (continued)

<i>Ref.</i>	<i>Part Number</i>	<i>Qty.</i>	<i>Description</i>	<i>Ref.</i>	<i>Part Number</i>	<i>Qty.</i>	<i>Description</i>
1	126-4312-01	1	Fork-Caster	2:1:2:2	103-3051	1	Spacer-Nut
2	126-7753	1	Wheel ASM	2:1:3	1-633585	2	Bearing-Cone, Taper
2:1		1	Wheel And Bearing ASM ●	2:1:4	103-3051	1	Spacer-Nut
2:1:1		1	Wheel And Tire ASM ●	2:1:5	103-0063	2	Seal-Caster
2:1:1:2	5108	1	Valve	2:2	126-5389	1	Screw-HHF
2:1:1:3	126-5959	1	Tire	2:3	99-5107	1	Nut-Lock
2:1:2	126-7796	1	Caster Axle ASM	2:4	103-2768	2	Guard-Seal
2:1:2:1	126-5220	1	Axle-Caster				

● Not serviced separately

Roll-Over Protection System Assembly No. 126-9526

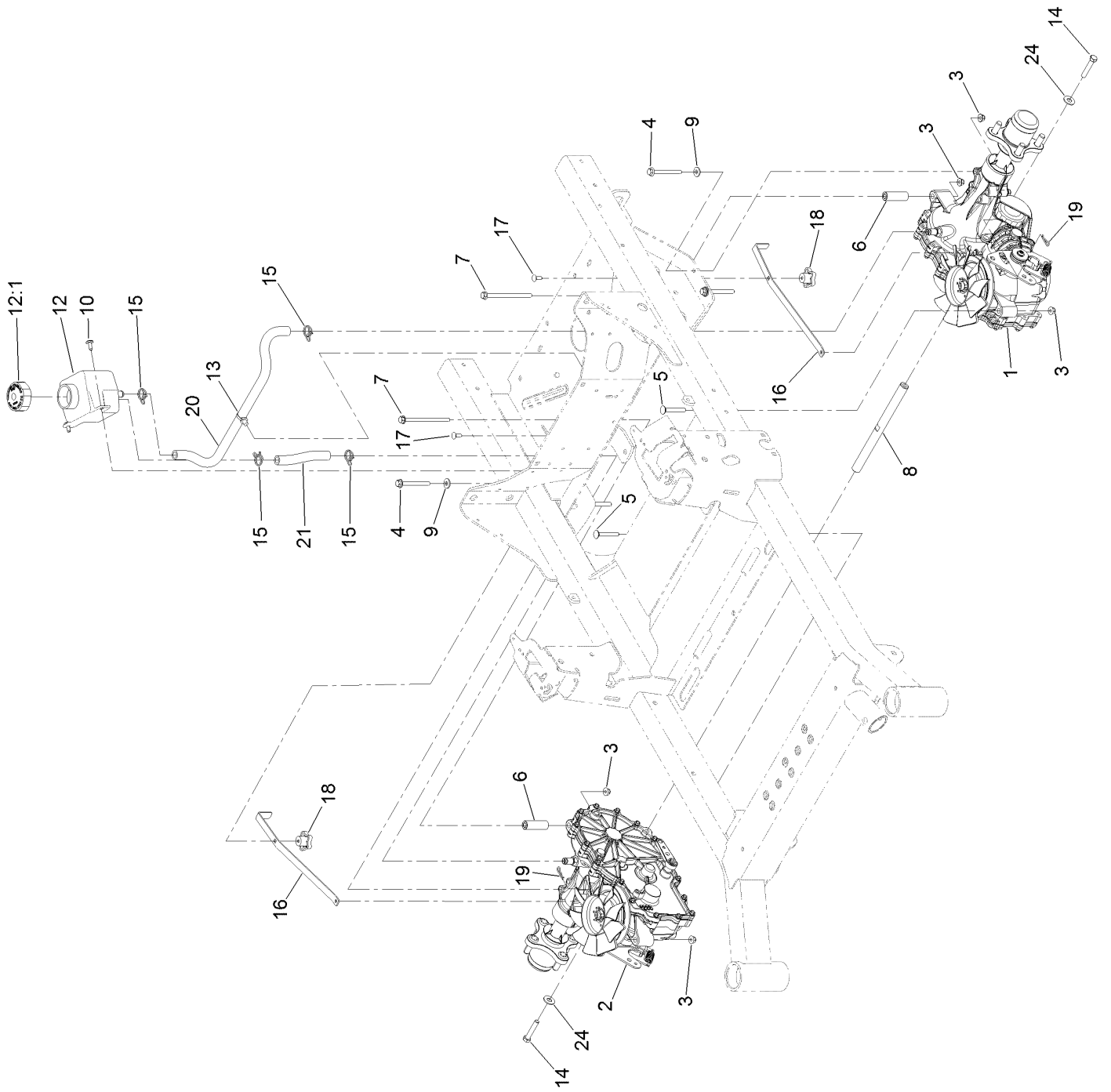


Roll-Over Protection System Assembly No. 126-9526 (continued)

<i>Ref.</i>	<i>Part Number</i>	<i>Qty.</i>	<i>Description</i>	<i>Ref.</i>	<i>Part Number</i>	<i>Qty.</i>	<i>Description</i>
1		1	Tube-Upright, RH ●	6	99-5107	2	Nut-Lock
2		1	Tube-Upright, LH ●	7	109-9233	2	Bumper-Push-In, Rubber
3		1	Top Tube ASM ●	8	126-9966	2	Bumper-ROPS
3:2	107-3069	1	Decal-Warning	9	126-9488	4	Screw-HHF
4	116-0104	2	Pin-Spring	10	32128-50	4	Nut-Flange
5	126-9209	2	Bolt-Shoulder	12	119-4164	2	Washer-Wave

● Not serviced separately

Hydraulic Assembly

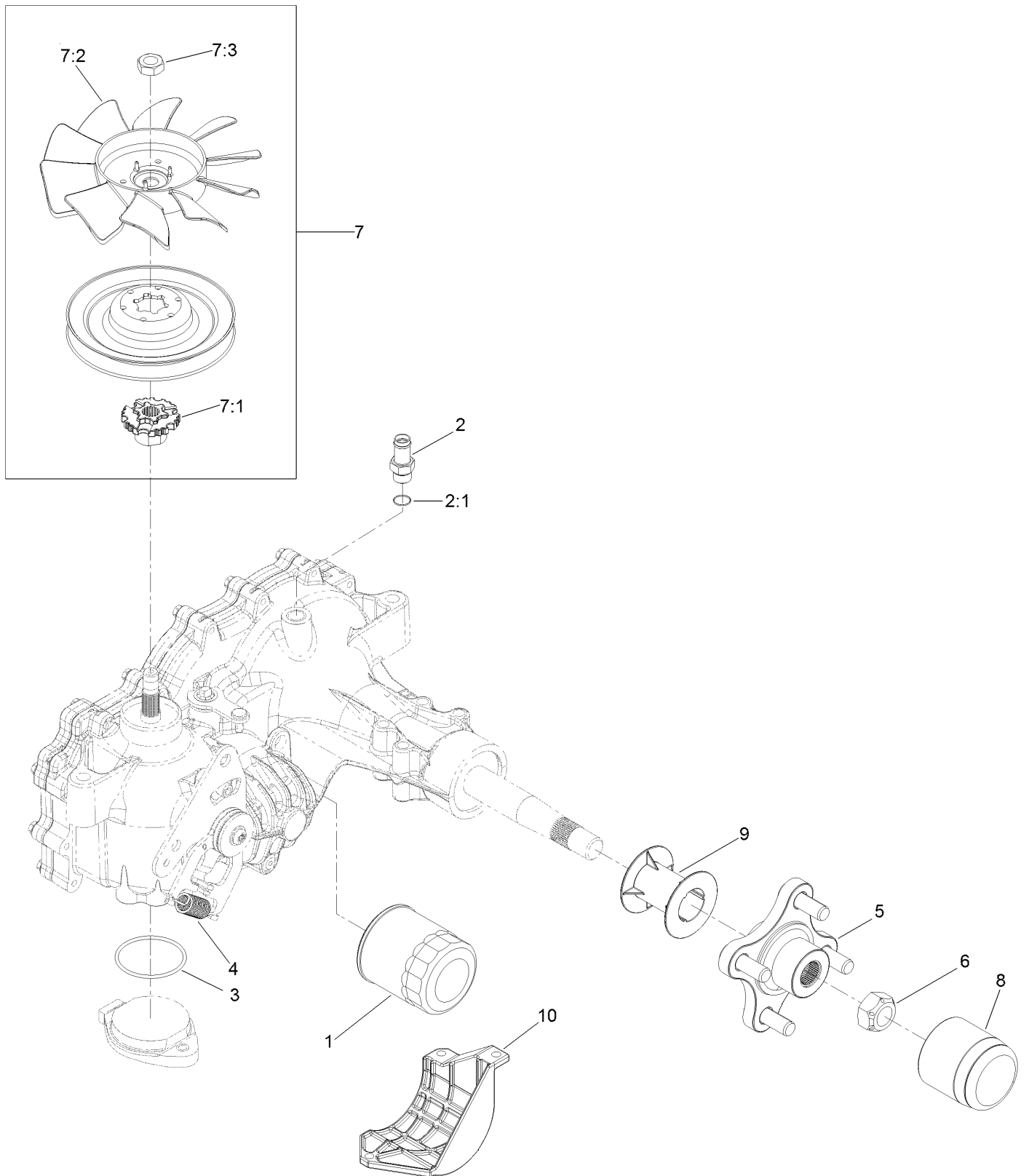


Hydraulic Assembly (continued)

<i>Ref.</i>	<i>Part Number</i>	<i>Qty.</i>	<i>Description</i>	<i>Ref.</i>	<i>Part Number</i>	<i>Qty.</i>	<i>Description</i>
1	126-2883	1	LH Transaxle ASM	12:1	109-3320	1	Cap-Reservoir, HYD
2	126-2884	1	RH Transaxle ASM	13	32180-118	1	Clip-Tie
3	104-8300	8	Nut-HF, NI	14	94-7972	2	Screw-HH W/Loctite ●
4	126-4687	4	Screw-HHF	15	126-0327	4	Clamp-Hose
5	3230-7	2	Bolt-CARR	16	109-5395	2	Arm-Bypass, Hydro
6	116-5809	2	Spacer-Hydro	17	3229-1	2	Bolt-CARR
7	126-5896	2	Screw HHF	18	108-6402	2	Knob-Handle
8	116-6833	1	Shaft-Spacer	19	1-806003	2	Pin-Cotter
9	1-303334	4	Washer-Spring	20	126-5668	1	Hose-Hydraulic
10	126-6266	2	Screw-Torx	21	126-5669	1	Hose-Hydraulic
12	109-2250	1	Tank-HYD	24	3256-4	2	Washer-Flat

● Use Pro-Lock, Nut Type (P/N 1-840022, .5ml tube) on threads.

LH Transaxle Assembly No. 126-2883

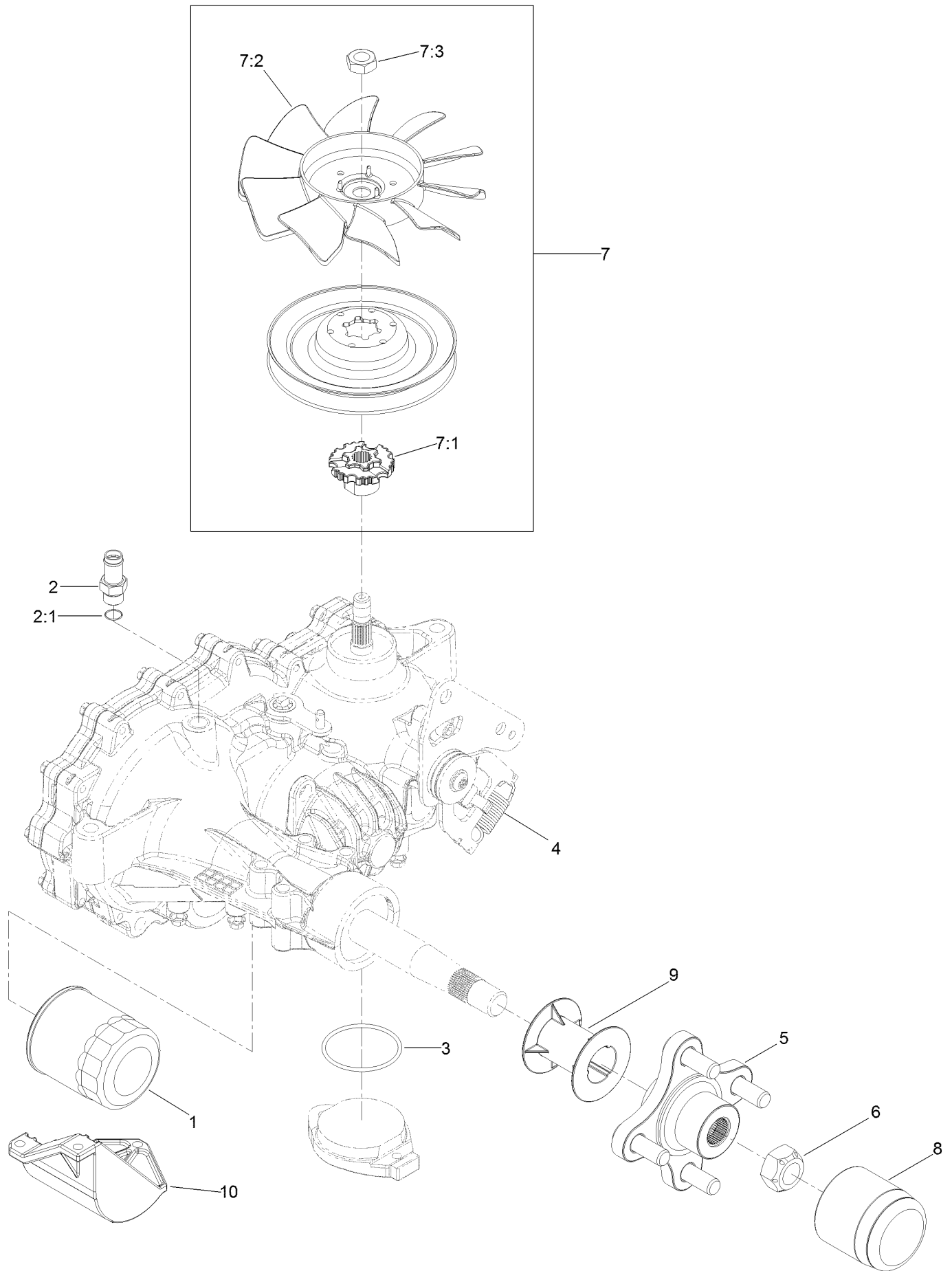


LH Transaxle Assembly No. 126-2883 (continued)

<i>Ref.</i>	<i>Part Number</i>	<i>Qty.</i>	<i>Description</i>	<i>Ref.</i>	<i>Part Number</i>	<i>Qty.</i>	<i>Description</i>
1	109-3321	1	Element-Oil Filter, HYD	7:1	126-8905	1	Hub-Fan
2	109-3278	1	Adapter-Straight	7:2	126-0226	1	Fan
2:1	237-42	1	O-Ring	7:3	116-9714	1	Nut-HJ
3	109-3540	1	O Ring-Seal	8	116-6214	1	Cap-Axle, Long
4	109-5592	1	Spring-Extension	9	116-6213	1	Tube-Axle
5	116-3872	1	Hub-Offset	10	120-7979	1	Guard-Filter, LH
6	109-3536	1	Nut-Hub	11	121-3243	1	Seal Kit ●
7	126-8904	1	Fan And Pulley Kit				

● Not illustrated

RH Transaxle Assembly No. 126-2884

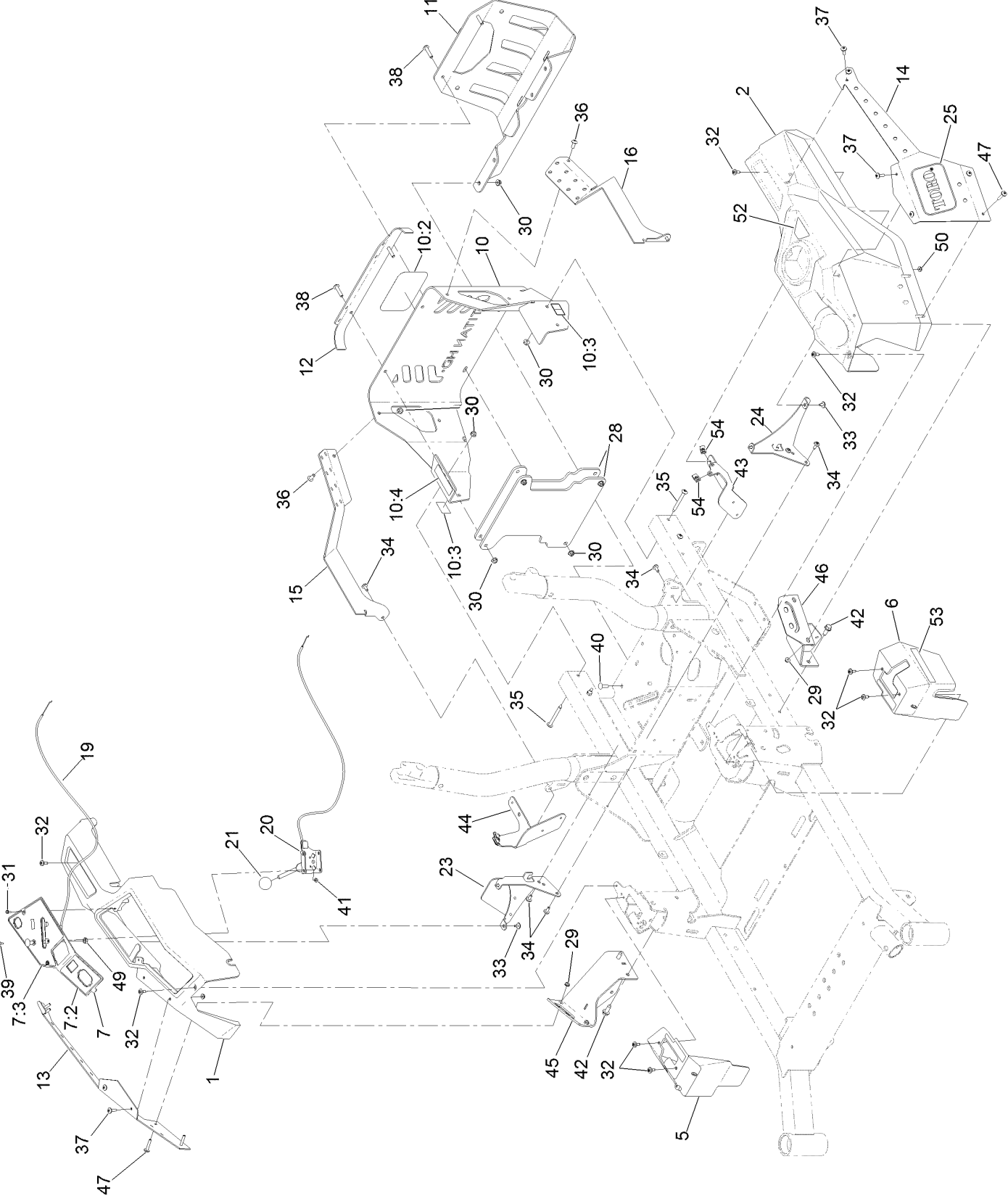


RH Transaxle Assembly No. 126-2884 (continued)

<i>Ref.</i>	<i>Part Number</i>	<i>Qty.</i>	<i>Description</i>	<i>Ref.</i>	<i>Part Number</i>	<i>Qty.</i>	<i>Description</i>
1	109-3321	1	Element-Oil Filter, HYD	7:1	126-8905	1	Hub-Fan
2	109-3278	1	Adapter-Straight	7:2	126-0226	1	Fan
2:1	237-42	1	O-Ring	7:3	116-9714	1	Nut-HJ
3	109-3540	1	O Ring-Seal	8	116-6214	1	Cap-Axle, Long
4	109-5592	1	Spring-Extension	9	116-6213	1	Tube-Axle
5	116-3872	1	Hub-Offset	10	120-7981	1	Guard-Filter, RH
6	109-3536	1	Nut-Hub	11	121-3243	1	Seal Kit ●
7	126-8904	1	Fan And Pulley Kit				

● Not illustrated

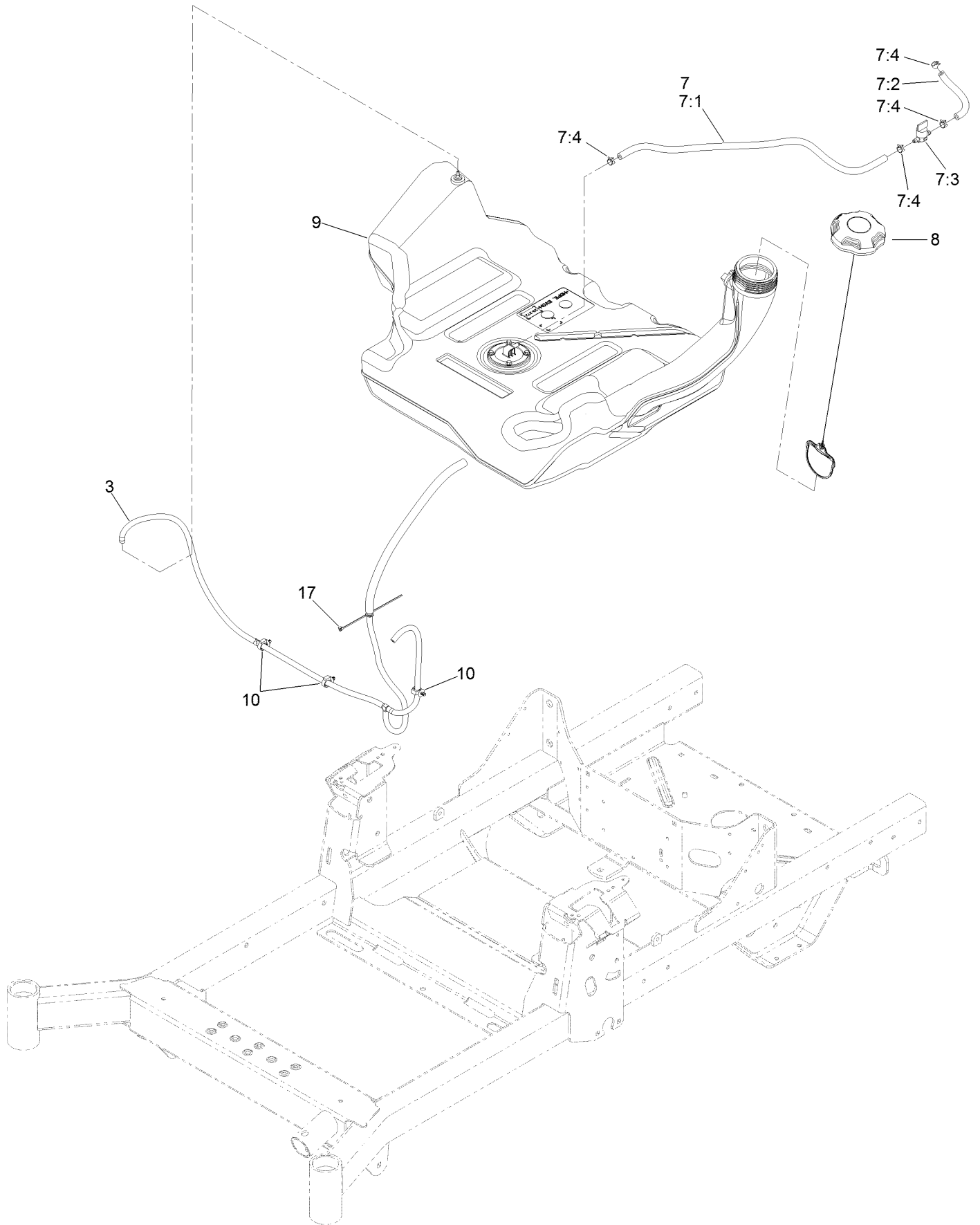
Control Console and Guard Assembly



Control Console and Guard Assembly (continued)

<i>Ref.</i>	<i>Part Number</i>	<i>Qty.</i>	<i>Description</i>	<i>Ref.</i>	<i>Part Number</i>	<i>Qty.</i>	<i>Description</i>
1	126-4983	1	Console-RH	29	104-7201	4	Nut-HF
2	126-4984	1	Console-LH	30	104-8300	12	Nut-HF, NI
5	126-7371	1	Cover-Control, Motion (RH)	31	117-5036	2	Screw-HWH
6	126-7372	1	Cover-Control, Motion (LH)	32	120-7950	8	Screw-Shoulder
7	136-1673	1	Control Panel ASM	33	126-5544	4	Screw-Torx
7:2	126-9115	1	Decal-Panel, Control	34	126-6266	8	Screw-Torx
7:3	136-1305	1	Decal-Panel, Control	35	126-6267	4	Screw-Torx
10	126-7803	1	Rear Guard ASM	36	126-6268	2	Screw-Torx
10:2	99-4693	1	Decal	37	126-6269	8	Screw-Truss
10:3	106-5517	2	Decal-Warning	38	126-7439	4	Screw-Torx
10:4	117-2718	1	Decal-Arrester, Spark	39	1-807513	2	Bolt-CARR
11	126-7664-03	1	Guard-Muffler	40	3230-22	2	Screw-CARR
12	126-6260-01	1	Trim-Upper, Rear	41	3296-2	2	Nut-Lock, NI
13	136-1745-01	1	Cover-Pod, RH	42	126-1696	4	Screw-Forming, Thread
14	136-1746-01	1	Cover-LH	43	126-9808-03	1	Bracket-Support, Left Pod
15	126-9023-01	1	Bracket-Guard, RH	44	126-9809-03	1	Bracket-Support, Right Pod
16	126-9022-01	1	Bracket-Guard, LH	45	126-9104-01	1	Support-Pod, RH
19	126-7009	1	Cable-Control, Choke	46	126-9105-01	1	Support-Pod, LH
20	126-7008	1	Cable-Control, Throttle	47	126-8232	4	Screw-Truss
21	1-603175	1	Knob-Ball	49	3220-3	1	Nut-HJ
23	126-9945	1	Support-Console, RH	50	32149-2	4	Nut-Keps
24	126-5532-03	1	Bracket-Console, LH	52	126-9939	1	Decal-Fill, Fuel
25	68-3640	2	Decal	53	126-9300	2	Decal
28	126-9165-01	2	Weight-Rear	54	126-3739	4	Nut-Retainer, U Style

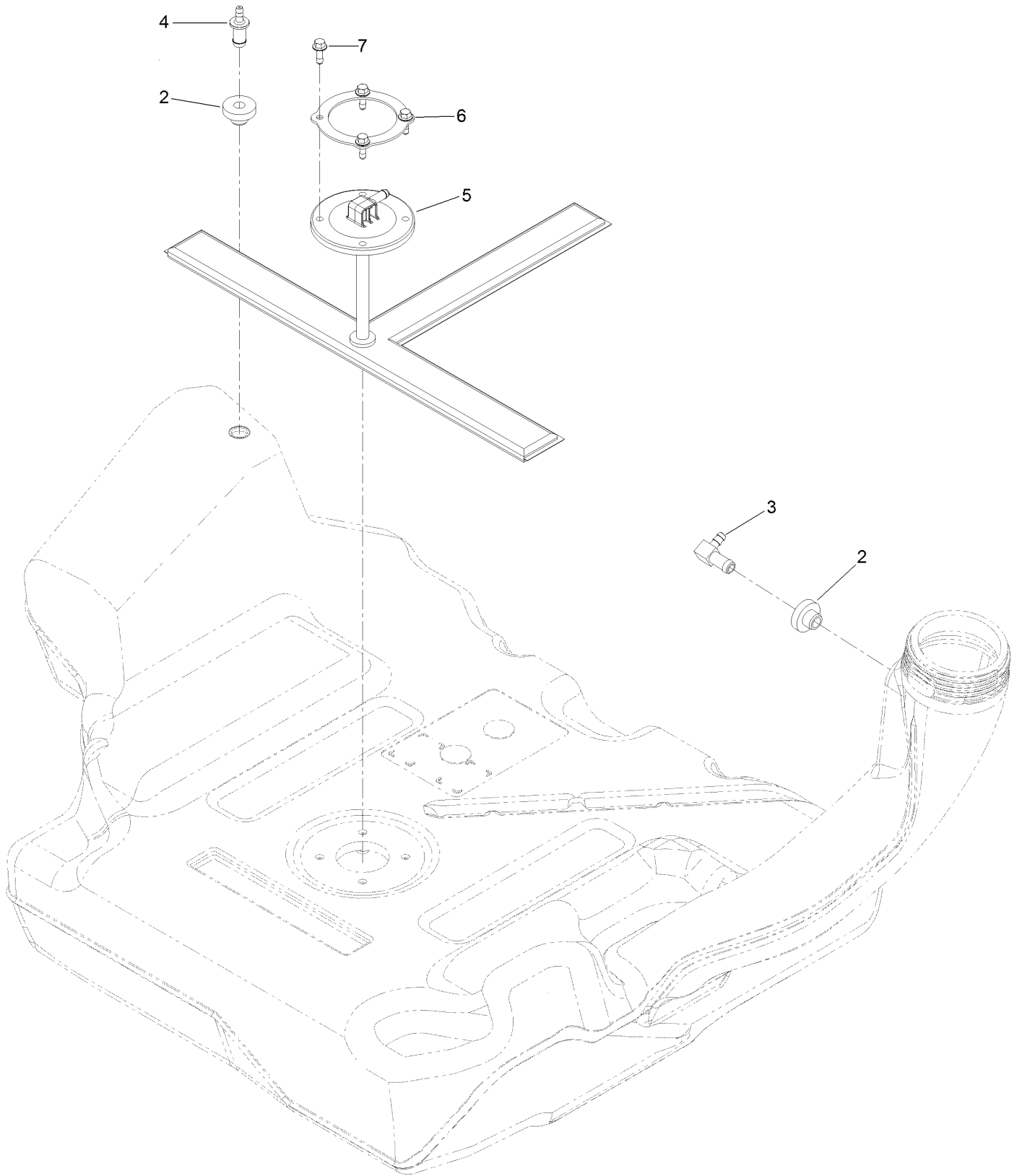
Fuel System and Vent Hose Assembly



Fuel System and Vent Hose Assembly (continued)

<i>Ref.</i>	<i>Part Number</i>	<i>Qty.</i>	<i>Description</i>	<i>Ref.</i>	<i>Part Number</i>	<i>Qty.</i>	<i>Description</i>
3	126-8736	1	Vent Hose ASM	7:4	2412-98	4	Clamp-Hose
7	126-8740	1	Fuel Hose ASM	8	126-4723	1	Cap-Fuel
7:1	109-0302	1	Hose-Fuel	9	126-4724	1	Tank-Fuel
7:2	109-0678	1	Hose-Fuel	10	126-5523	3	Clip
7:3	1-603770	1	Valve-Fuel	17	1-303287	1	Tie-Cable

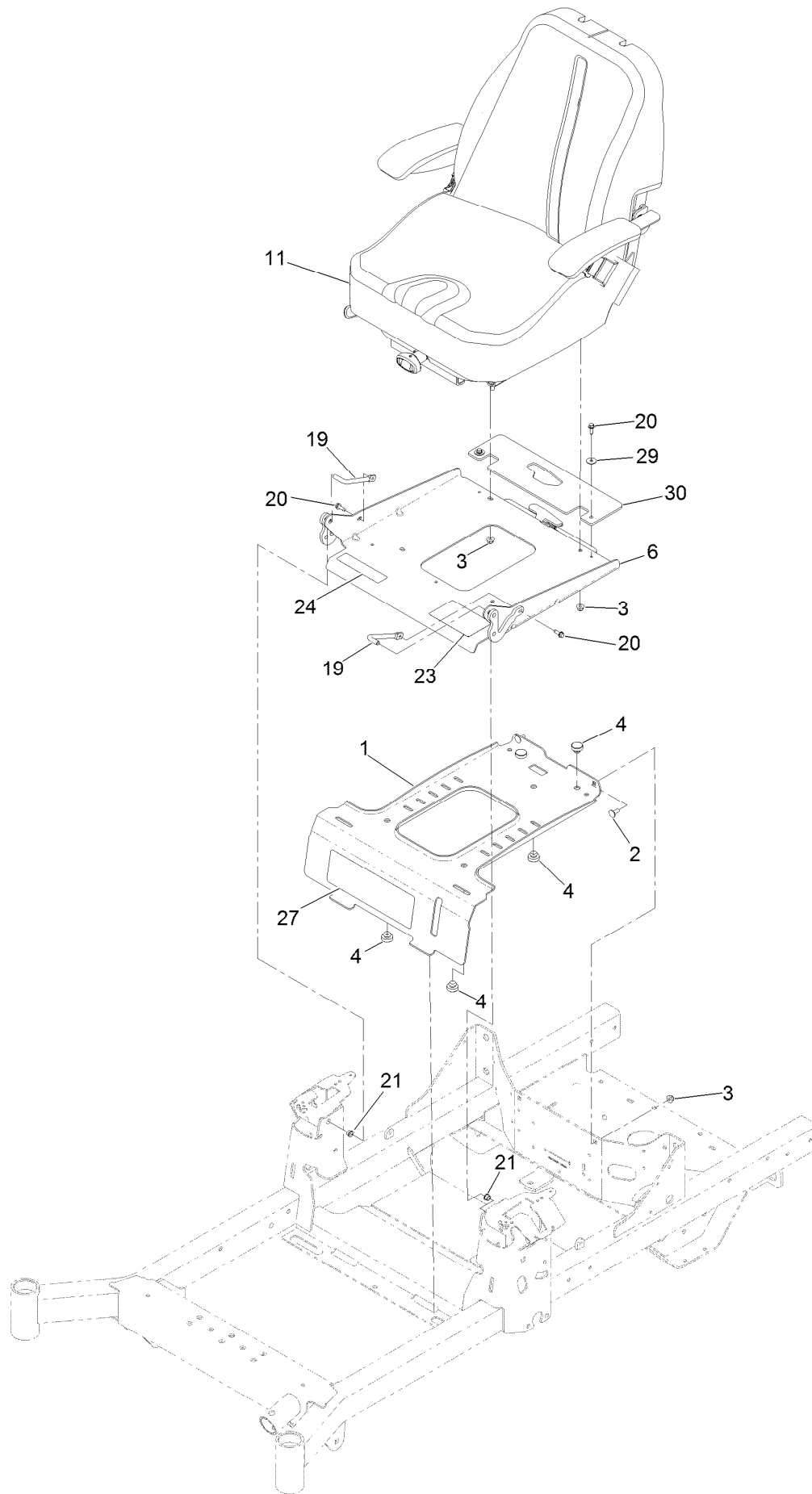
Fuel Tank Assembly No. 126-4724



Fuel Tank Assembly No. 126-4724 (continued)

<i>Ref.</i>	<i>Part Number</i>	<i>Qty.</i>	<i>Description</i>	<i>Ref.</i>	<i>Part Number</i>	<i>Qty.</i>	<i>Description</i>
2	46-6560	2	Bushing	5	126-5528	1	Pickup-Fuel
3	126-9057	1	Fitting-90 DEG	6	126-5527	1	Ring-Retainer
4	116-4630	1	Fitting-Orifice, Straight	7	126-5525	4	Bolt

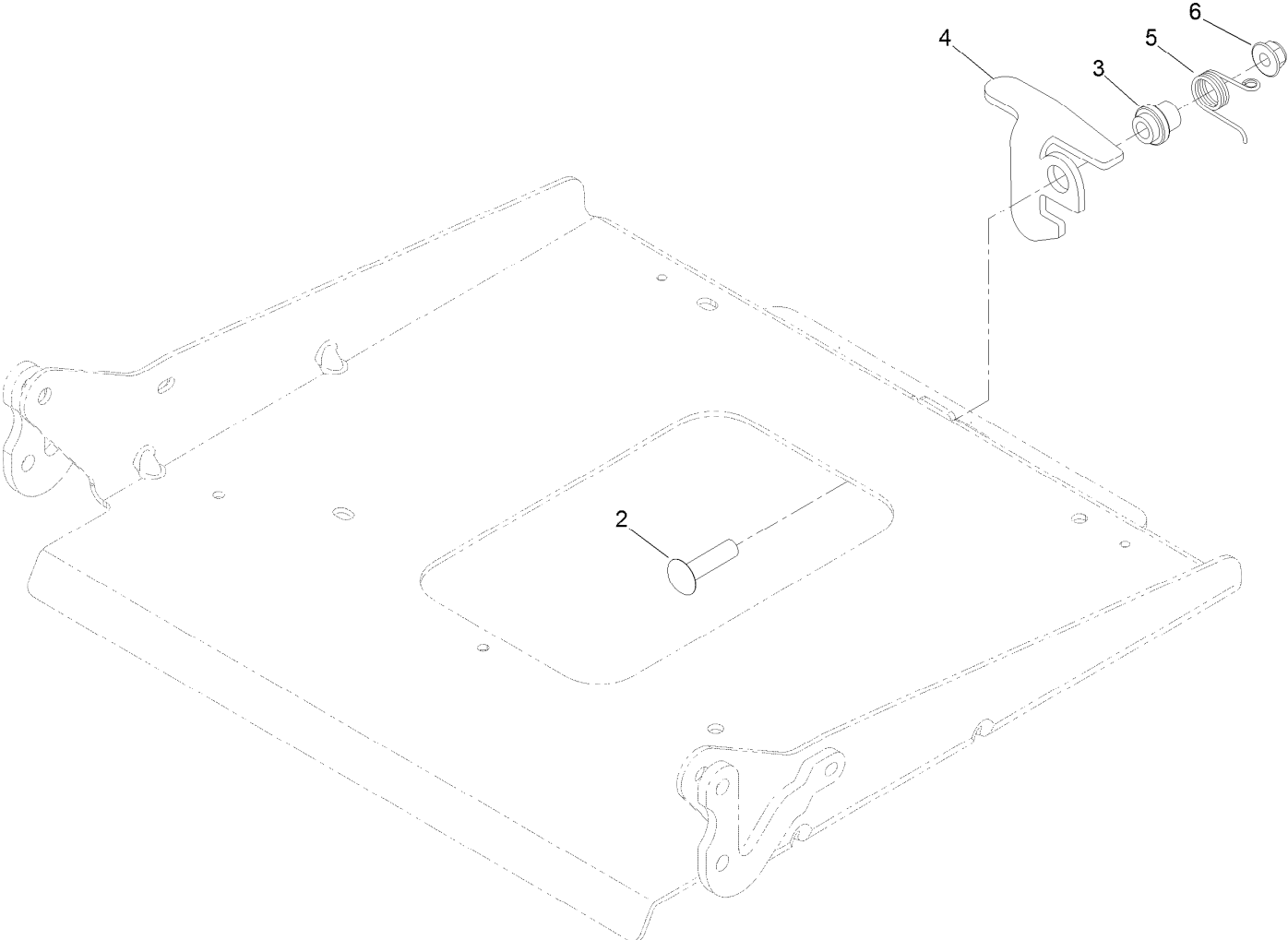
Seat Mount Assembly



Seat Mount Assembly (continued)

<i>Ref.</i>	<i>Part Number</i>	<i>Qty.</i>	<i>Description</i>	<i>Ref.</i>	<i>Part Number</i>	<i>Qty.</i>	<i>Description</i>
1	126-4082-03	1	Plate-Retainer, Tank	20	32144-44	4	Screw-HWH, Thread Roll
2	3230-23	2	Screw-CARR	21	1-603735	2	Bushing-Flanged
3	104-8300	6	Nut-HF, NI	23	126-8151	1	Decal-Aid, Service
4	104-1412	5	Bumper-Rubber	24	126-8161	1	Decal-Latch, Seat
6	126-7309	1	Seat Pan And Latch ASM	27	126-9273	1	Decal
11	126-8293	1	Seat ASM	29	3256-67	2	Washer
19	126-5914	2	Pin-Pivot, Seat	30	135-0214	1	Guard-Seat, Rubber

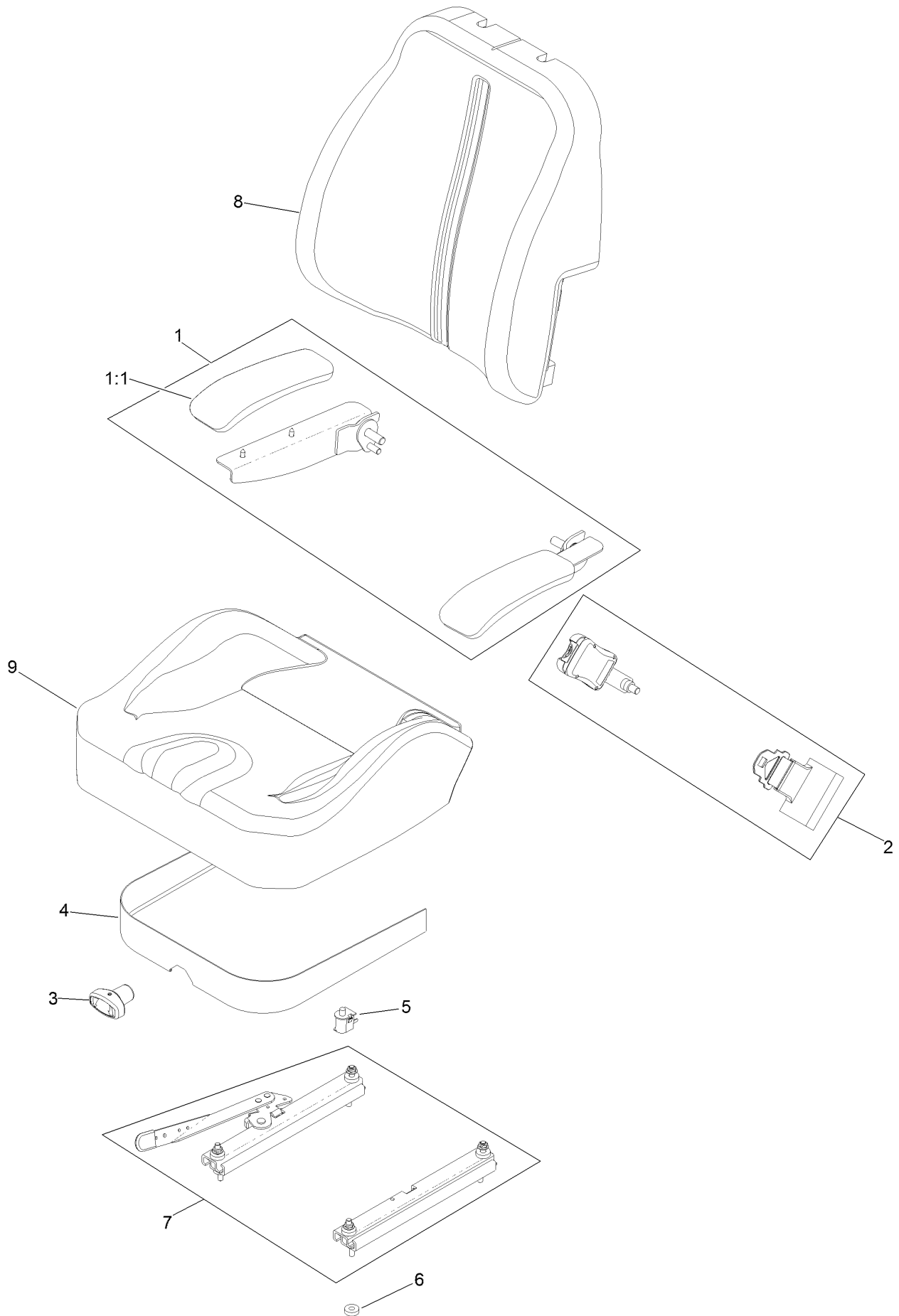
Seat Pan and Latch Assembly No. 126-7309



Seat Pan and Latch Assembly No. 126-7309 (continued)

<i>Ref.</i>	<i>Part Number</i>	<i>Qty.</i>	<i>Description</i>	<i>Ref.</i>	<i>Part Number</i>	<i>Qty.</i>	<i>Description</i>
2	3231-26	1	Screw-CARR	5	126-8923	1	Spring-Torsion, Latch
3	107-0075	1	Bushing-Latch, Seat	6	104-8301	1	Nut-HF, NI
4	126-6739	1	Latch-Catch, Single				

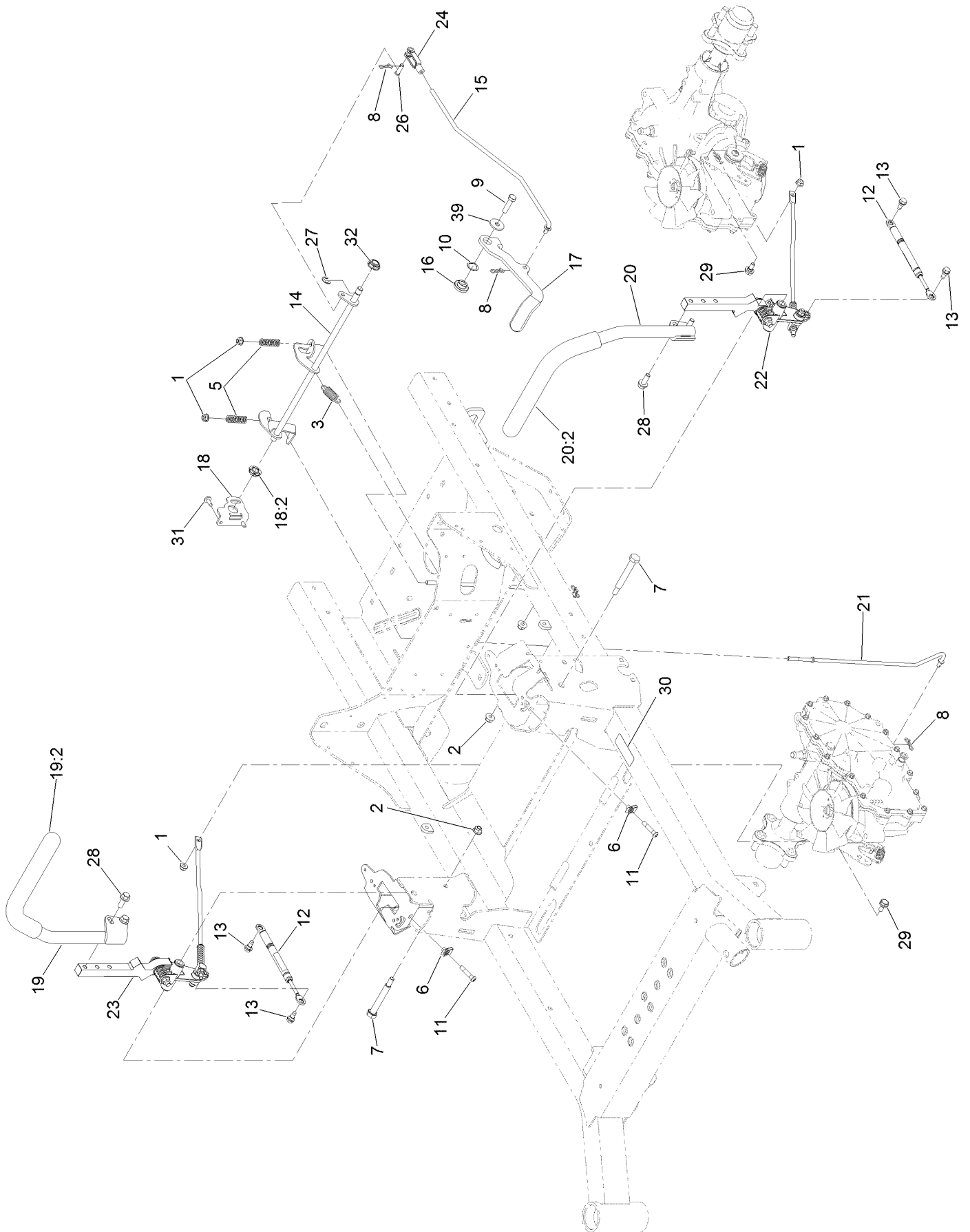
Seat Assembly No. 126-8293



Seat Assembly No. 126-8293 (continued)

<i>Ref.</i>	<i>Part Number</i>	<i>Qty.</i>	<i>Description</i>	<i>Ref.</i>	<i>Part Number</i>	<i>Qty.</i>	<i>Description</i>
1	126-2058	1	Armrest Kit	5	82-2190	1	Switch-Bail
1:1	110-4163	2	Cushion-Rest, Arm	6	26-4840	4	Spacer-Pin, Mounting
2	130-0845	1	Seat Belt Kit	7	130-0844	1	Track Set
3	130-0846	1	Knob-Adjuster	8	126-8569	1	Cover-Back, Seat
4	126-3506	1	Cover-Skirt W/Fasteners	9	126-8568	1	Cover-Seat, Bottom

Motion Control Assembly

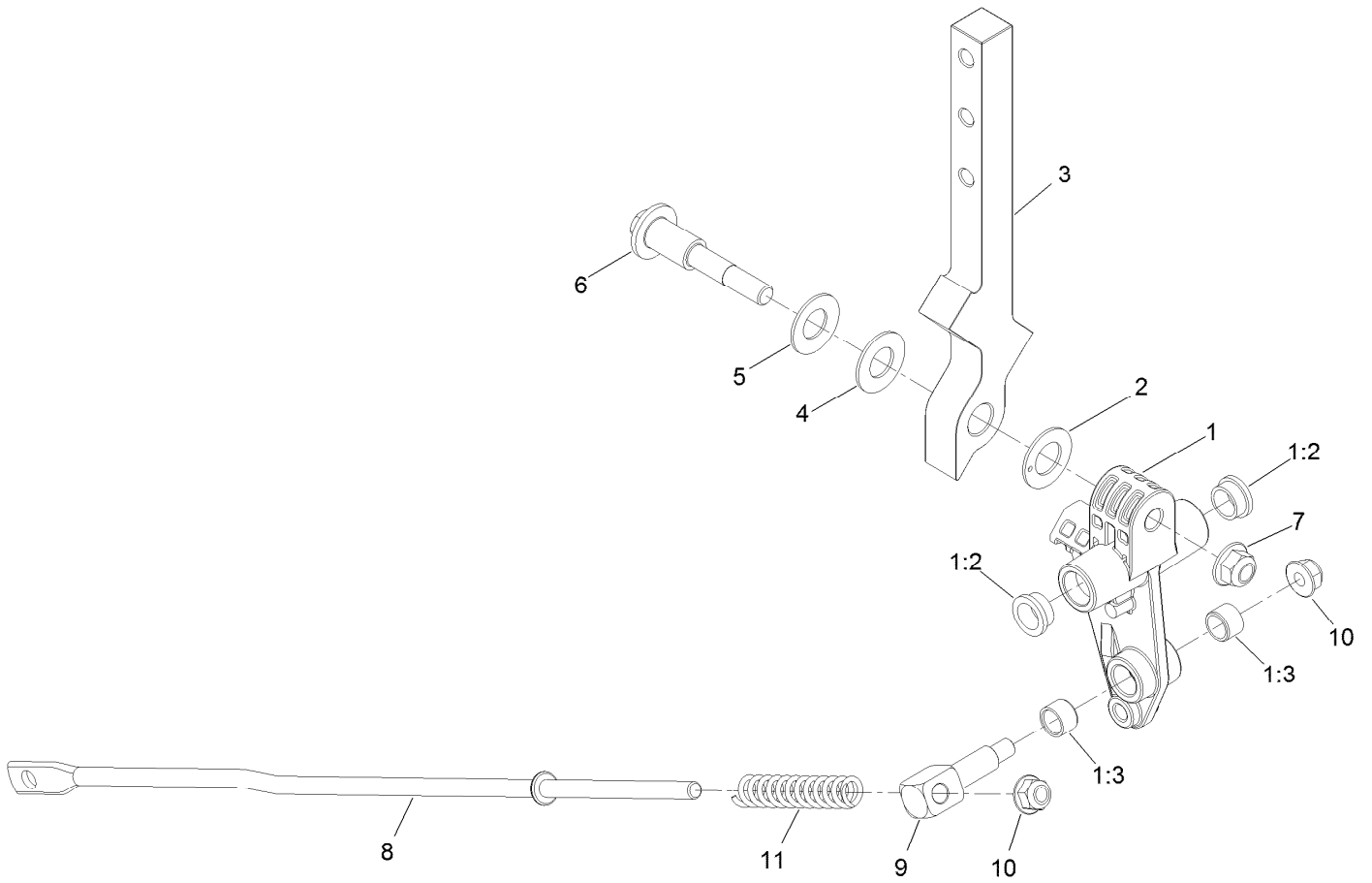


Motion Control Assembly (continued)

<i>Ref.</i>	<i>Part Number</i>	<i>Qty.</i>	<i>Description</i>	<i>Ref.</i>	<i>Part Number</i>	<i>Qty.</i>	<i>Description</i>
1	104-8300	4	Nut-HF, NI	18:2	126-5820	1	Bearing-Spherical
2	104-8301	3	Nut-HF, NI	19	126-9191	1	RH Control Handle ASM
3	107-1045	2	Spring-Extension	19:2	126-7359	1	Grip
5	109-7694	2	Spring-Compression	20	126-9192	1	LH Control Handle ASM
6	112-3306	2	Nut	20:2	126-7359	1	Grip
7	115-5099	2	Bolt-Pivot	21	126-7217	2	Linkage-Brake, Lower
8	119-1415	4	Pin-Cotter, Locking	22		1	LH Motion Control ASM ●
9	323-8	1	Screw-HH	23		1	RH Motion Control ASM ●
10	119-4164	1	Washer-Wave	24	1-303105	1	Yoke-Adjustable
11	126-4299	2	Screw-HSBH	26	1-808280	1	Pin-Clevis
12	126-4322	2	Damper	27	32120-47	1	Ring-Retaining, External
13	126-4424	4	Screw-Shoulder	28	3234-42	4	Screw-HHF
14	126-5813	1	Shaft-Brake	29	37-8771	2	Bolt-Shoulder
15	126-5819	1	Linkage-Brake, Upper	30	115-9625	1	Decal-Brake, Parking
16	126-5989	1	Pivot-Flange	31	126-6266	2	Screw-Torx
17	126-9490	1	Lever-Brake (With Grip)	32	126-5820	1	Bearing-Spherical
18	126-6456	1	Bracket-Brake	39	2844	1	Washer

● Not serviced separately

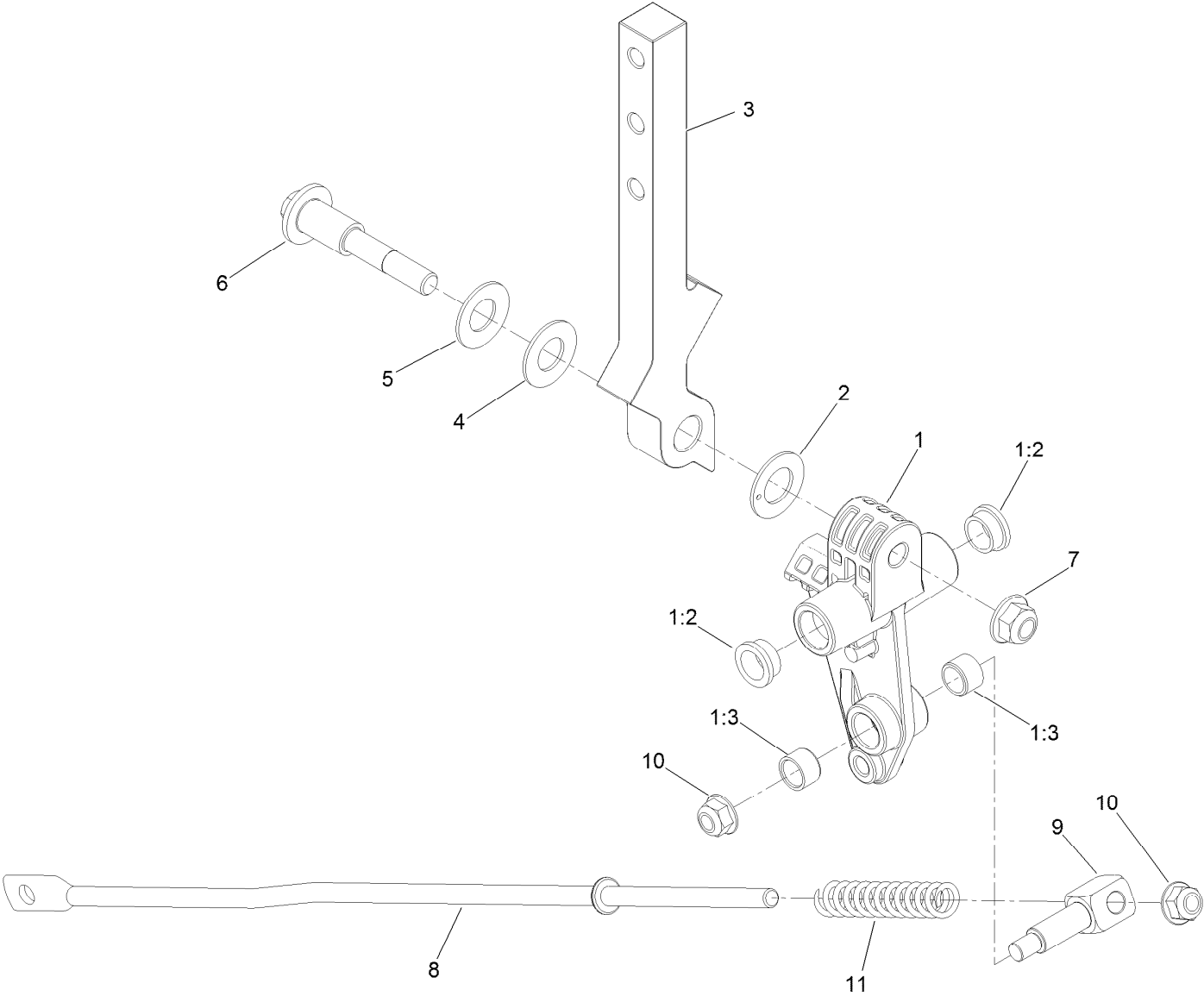
LH Motion Control Assembly



LH Motion Control Assembly (continued)

<i>Ref.</i>	<i>Part Number</i>	<i>Qty.</i>	<i>Description</i>	<i>Ref.</i>	<i>Part Number</i>	<i>Qty.</i>	<i>Description</i>
1	126-3773	1	Control Arm ASM	6	117-1198	1	Bolt-Pivot
1:2	126-8909	2	Bushing	7	104-8301	1	Nut-HF, NI
1:3	1-413152	2	Bushing-Sleeve	8	126-5435	1	Link-Control
2	126-7296	1	Washer-Friction	9	126-5434	1	Swivel
3	126-8182	1	Arm-Control	10	104-8300	2	Nut-HF, NI
4	117-1240	1	Washer	11	126-8195	1	Spring-Return, Neutral
5	119-8925	1	Washer-Belleville				

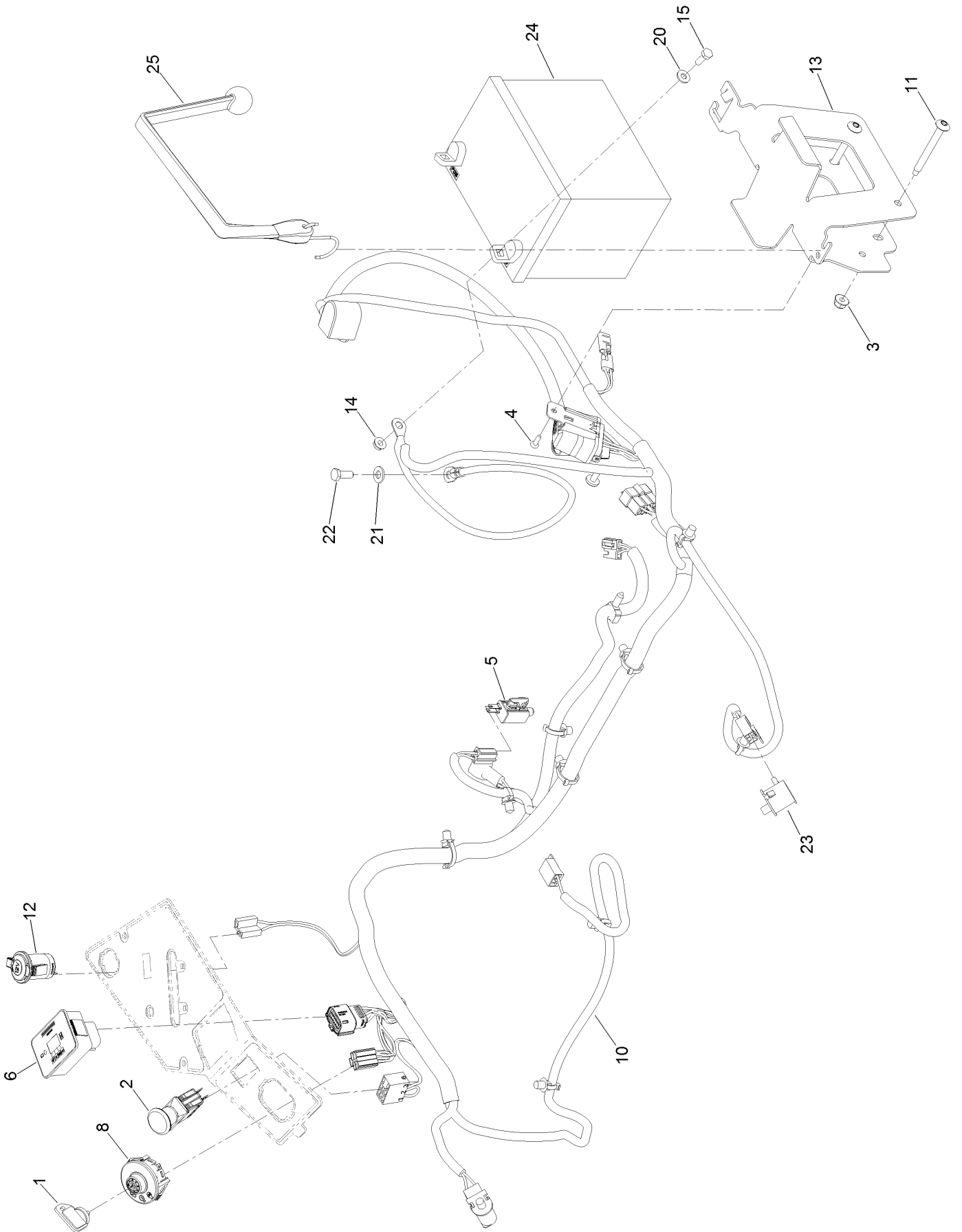
RH Motion Control Assembly



RH Motion Control Assembly (continued)

<i>Ref.</i>	<i>Part Number</i>	<i>Qty.</i>	<i>Description</i>	<i>Ref.</i>	<i>Part Number</i>	<i>Qty.</i>	<i>Description</i>
1	126-3773	1	Control Arm ASM	6	117-1198	1	Bolt-Pivot
1:2	126-8909	2	Bushing	7	104-8301	1	Nut-HF, NI
1:3	1-413152	2	Bushing-Sleeve	8	126-5435	1	Link-Control
2	126-7296	1	Washer-Friction	9	126-5434	1	Swivel
3	126-8182	1	Arm-Control	10	104-8300	2	Nut-HF, NI
4	117-1240	1	Washer	11	126-8195	1	Spring-Return, Neutral
5	119-8925	1	Washer-Belleville				

Electrical Assembly



Electrical Assembly (continued)

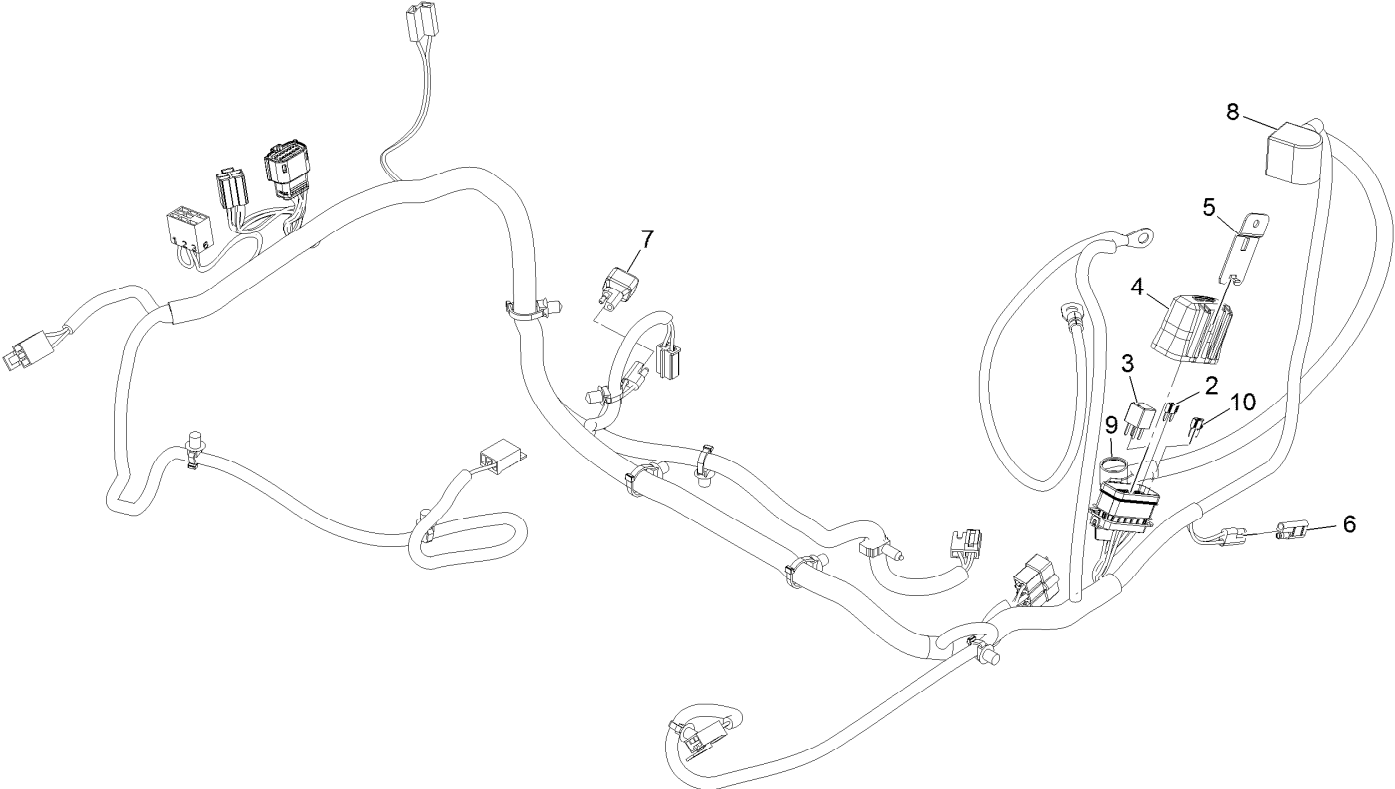
<i>Ref.</i>	<i>Part Number</i>	<i>Qty.</i>	<i>Description</i>	<i>Ref.</i>	<i>Part Number</i>	<i>Qty.</i>	<i>Description</i>
1	63-8360	1	Key-Ignition	13	126-6725-03	1	Tray-Battery
2	103-5221	1	Switch-PTO	14	32128-33	2	Nut-HF
3	104-8300	2	Nut-HF, NI	15	321-4	2	Screw-HH
4	105-6849	1	Screw-Forming, Thread	20	3256-22	2	Washer-Flat
5	110-6765	1	Switch	21	33094-00	1	Washer-Plain
6	116-5609	1	Module ASM	22	33114-020	1	Screw-HH
8	117-2221	1	Switch-Ignition	23	82-2190	2	Switch-Bail
10	126-5803	1	Harness-Wire ▲	24		1	Battery (300 CCA, Wet) ●■
11	126-6267	2	Screw-Torx	25	126-7627	1	Strap-Bungee
12	126-6499	1	Port-Power, 12V				

● Obtain locally.

■ Not serviced separately

▲ Use dielectric grease on all unsealed connectors and terminals only. Do not apply in sealed connectors.

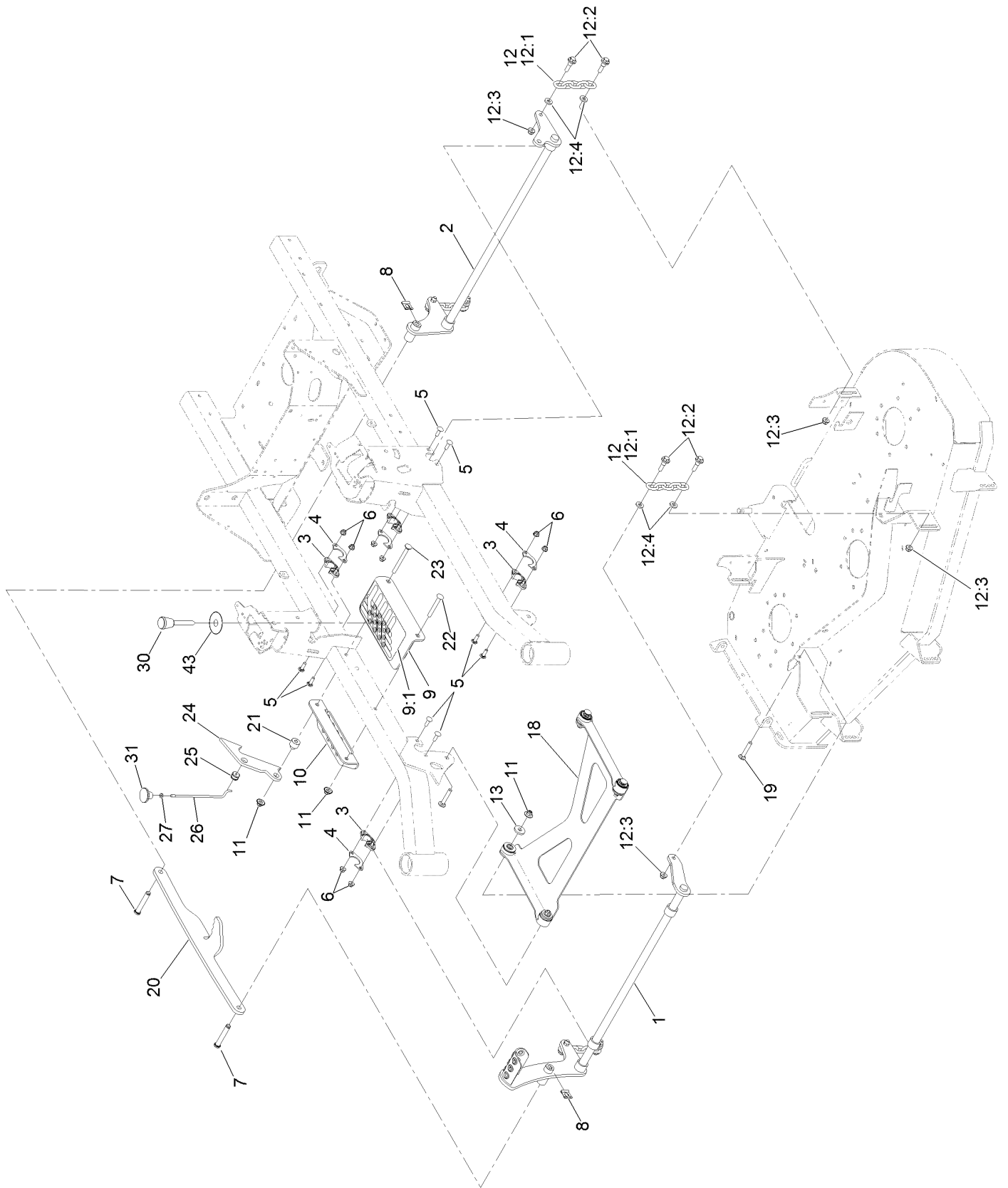
Wire Harness Assembly No. 126-5803



Wire Harness Assembly No. 126-5803 (continued)

<i>Ref.</i>	<i>Part Number</i>	<i>Qty.</i>	<i>Description</i>	<i>Ref.</i>	<i>Part Number</i>	<i>Qty.</i>	<i>Description</i>
2	121-8868	1	Fuse-Mini Blade, 20 Amp	7	103-3895	1	Diode
3	126-3991	1	Relay-Micro	8	126-8876	1	Insulator-Battery
4	32180-176	1	Cover-Block, Fuse	9	1-543393	1	Insulator-Solenoid
5	32180-177	1	Clip-Mounting	10	121-8867	1	Fuse-Mini Blade, 15 Amp
6	116-0053	1	Cap-Plug				

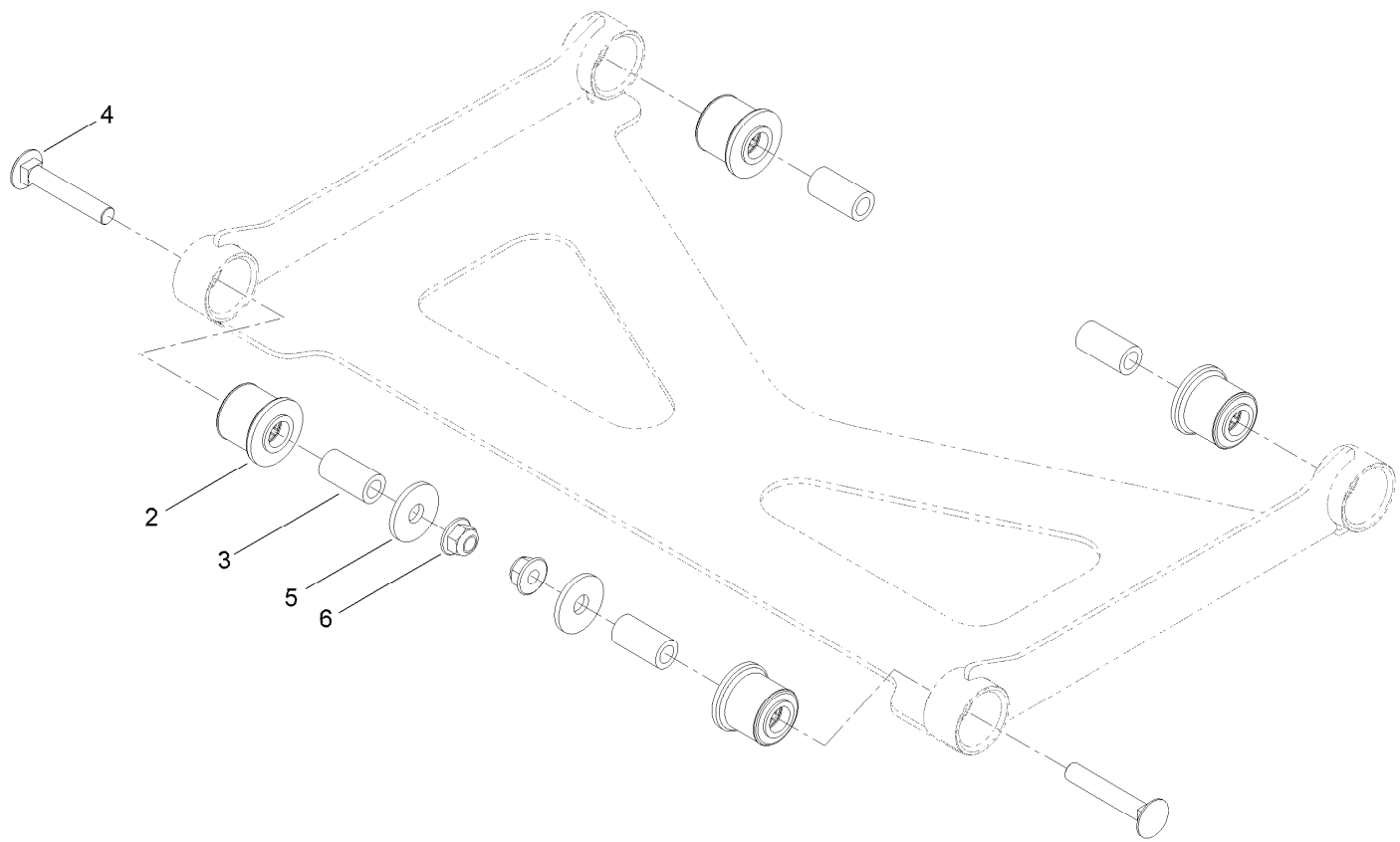
Deck Lift Assembly



Deck Lift Assembly (continued)

<i>Ref.</i>	<i>Part Number</i>	<i>Qty.</i>	<i>Description</i>	<i>Ref.</i>	<i>Part Number</i>	<i>Qty.</i>	<i>Description</i>
1	126-3342-03	1	Shaft-Lift, Deck	12:4	43-0940	2	Spacer
2	126-3343-03	1	Shaft-Lift, Deck (Rear)	13	1-373034	2	Washer
3	115-5065	4	Bushing-Flange	18	126-8365	1	Deck Strut ASM
4	116-2887	4	Gusset-Lift, Deck	19	3231-7	2	Screw-CARR
5	3230-22	8	Screw-CARR	20	126-4639-03	1	Link-Lift
6	104-8300	8	Nut-HF, NI	21	126-5221	1	Spacer-Stepped
7	126-9181	2	Pin-Clevis	22	3231-42	1	Screw-CARR
8	95-4064	2	Clip-Pin	23	3231-37	1	Screw-CARR
9	126-4535	1	Bracket ASM	24	126-5222	1	Plate-Lock, Transport
9:1	126-4784	1	Decal-HOC	25	126-5593	1	Grommet
10	126-4640-03	1	Angle-HOC, Lower	26	126-5223	1	Rod-Lock, Transport
11	109-6658	4	Nut-Flange, NI	27	3218-1	1	Nut-Jam
12	126-8877	4	Deck Chain ASM	30	126-5401	1	Pin-HOC
12:1	1-633447	1	Chain-Lift, Deck	31	126-7019	1	Knob
12:2	130-0742	2	Bolt-Shoulder	43	126-8353	1	Tag-Retention, Magnetic
12:3	104-8301	2	Nut-HF, NI				

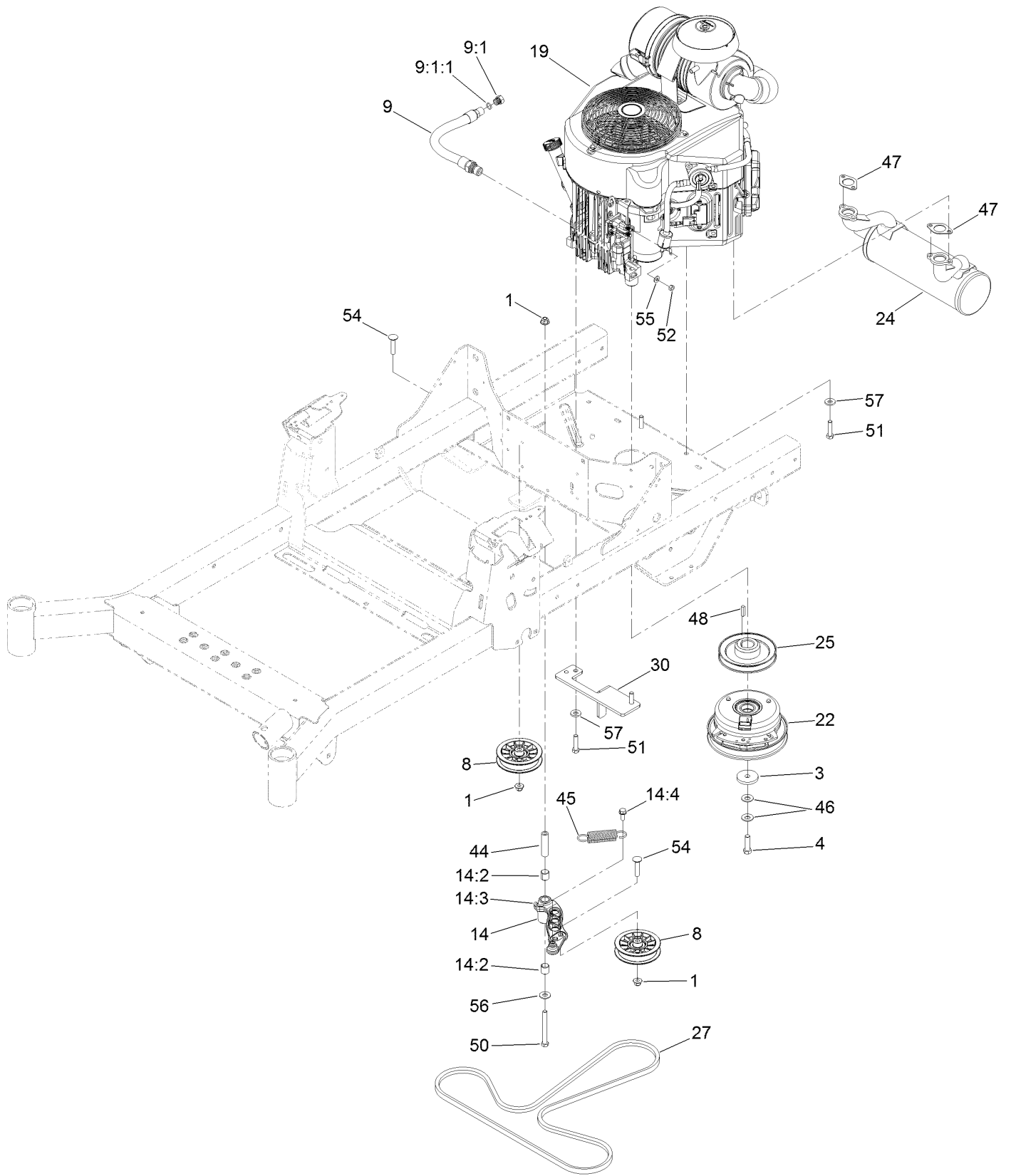
Deck Strut Assembly No. 126-8365



Deck Strut Assembly No. 126-8365 (continued)

<i>Ref.</i>	<i>Part Number</i>	<i>Qty.</i>	<i>Description</i>	<i>Ref.</i>	<i>Part Number</i>	<i>Qty.</i>	<i>Description</i>
2	126-8360	4	Bushing-Rubber, Suspension	4	3231-7	2	Screw-CARR
3	108-6544	4	Spacer	5	2844	2	Washer
				6	104-8301	2	Nut-HF, NI

Engine Assembly



Engine Assembly (continued)

<i>Ref.</i>	<i>Part Number</i>	<i>Qty.</i>	<i>Description</i>	<i>Ref.</i>	<i>Part Number</i>	<i>Qty.</i>	<i>Description</i>
1	104-8301	3	Nut-HF, NI	19:4		1	Kawasaki 11013-7044 Engine Air Filter ◻●◆
3	109-6919	1	Washer-Clutch	22	126-4324	1	Clutch
4	109-9761	1	Screw-HH ◯	24	126-4360	1	Muffler
8	116-2456	2	Pulley-Flat	25	126-5358	1	Sheave (W/Hub)
9	116-4924	1	Engine Oil Drain Hose ASM ▲	27	126-5993	1	Belt-V
9:1	353-508	1	Plug-HH ■	30	126-6687-03	1	Anchor-Clutch
9:1:1	237-42	1	O-Ring	44	1-603384	1	Bushing-Pivot, Idler
14	126-0973	1	Idler Arm ASM	45	1-603402	1	Spring-Extension
14:2	1-513034	2	Sleeve-Bearing	46	1-603610	2	Washer-Spring
14:3	302-40	1	Fitting-Grease, 90 DEG	47	1-653313	2	Gasket-Exhaust
14:4	32144-11	1	Screw-HWHTF	48	1-807259	1	Key
19		1	Engine-Kawasaki, Fx691V ◆◻	50	323-15	1	Screw-HH
19:1		1	Kawasaki 49065-7007 Engine Oil Filter ◻●◆	51	323-8	4	Screw-HH
19:2		1	Kawasaki 49019-7005 Fuel Filter ◻●◆	52	3217-5	1	Nut-Hex
19:3		1	Kawasaki 11013-7045 Safety Filter ◻●◆	54	3231-29	2	Screw-CARR
				55	3256-22	1	Washer-Flat
				56	3256-4	1	Washer-Flat
				57	98-5975	4	Washer-Belleville

● Not illustrated

▲ Torque to 23-29 ft-lb

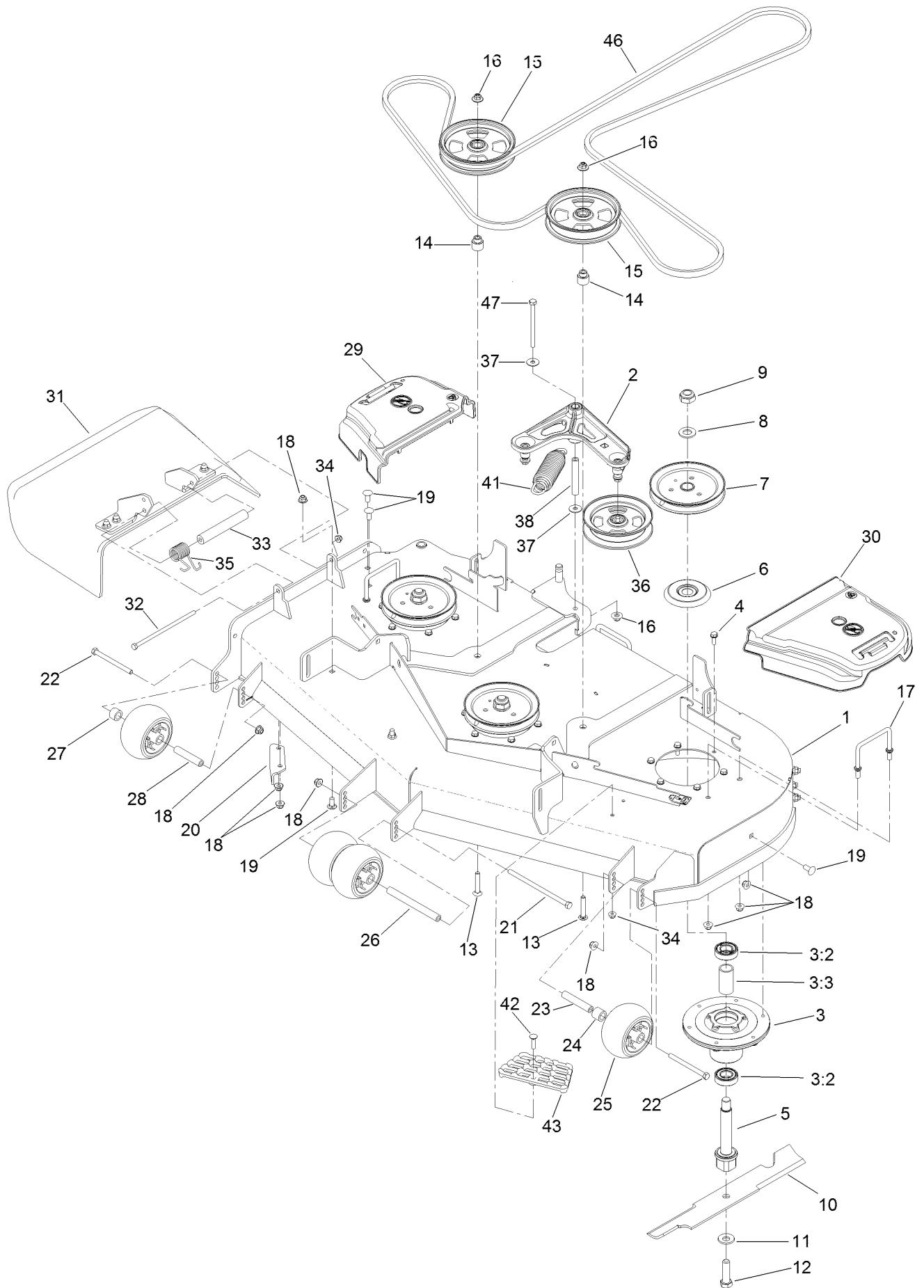
◻ Obtain parts from www.kawpowerepc.com

◯ Use Pro-Lock, Nut Type (P/N 1-840022, .5ml tube) on threads.

■ Torque to 24-26 ft-lb

◆ Not serviced separately

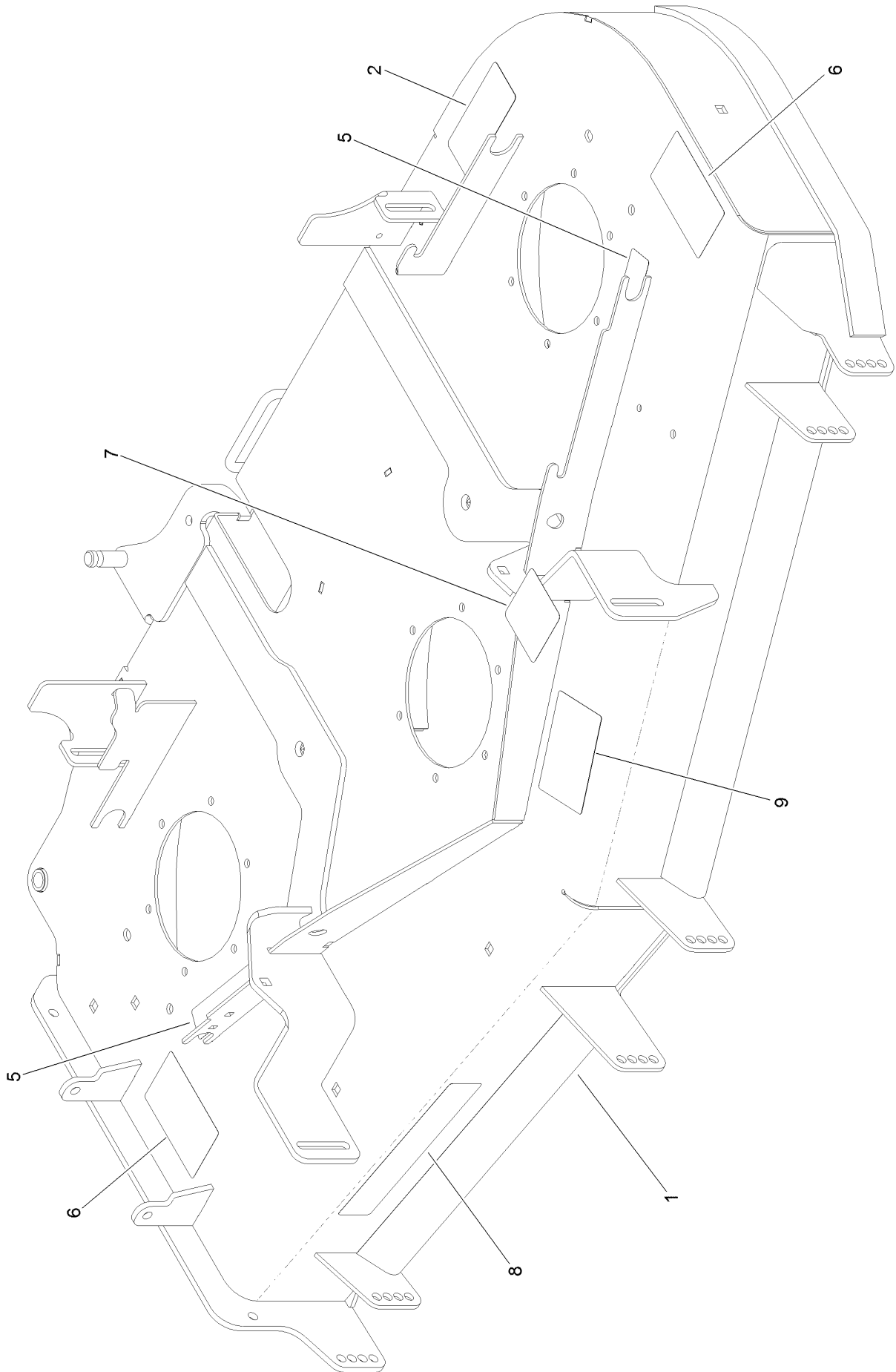
Deck Assembly



Deck Assembly (continued)

<i>Ref.</i>	<i>Part Number</i>	<i>Qty.</i>	<i>Description</i>	<i>Ref.</i>	<i>Part Number</i>	<i>Qty.</i>	<i>Description</i>
1	127-6797	1	Deck Decal ASM	21	108-5388	1	Screw-HH
2	126-0976	1	Idler Arm ASM	22	323-23	2	Screw-HH
3	120-5477	3	Spindle ASM	23	98-7912	1	Tube-Spanner
3:2	116-0720	2	Bearing-Ball	24	98-7913	1	Tube-Spacer
3:3	115-2641	1	Spacer-Bearing	25	1-603299	4	Roller-Scalp, Anti
4	32144-41	18	Screw-Taptite	26	98-5967	1	Spacer-Wheel
5	133-2126	3	Shaft-Spindle	27	133-2128	1	Tube-Spacer
6	117-7210	3	Shield-Bearing	28	133-2129	1	Tube-Shafting
7	120-7855	3	Pulley	29	109-6935	1	Cover-Belt, RH
8	92-5836	3	Washer	30	109-6936	1	Cover-Belt, LH
9	3296-67	4	Nut-Lock, NI	31	108-2792	1	Rubber Deflector ASM
10	133-2134	3	Blade-Rotary, 18.0In (Hi Flow)	32	322-50	1	Screw-HH
11	125-1736	3	Washer-Belleville	33	105-4622	1	Spacer
12	51-4060	3	Screw-Blade	34	104-8300	2	Nut-HF, NI
13	3231-40	2	Bolt-CARR, Short Neck	35	108-4052	1	Spring-Torsion
14	126-7684	2	Bushing-Idler	36	132-9425	1	Pulley-Idler, Flat
15	136-5404	2	Pulley-Idler, Flat	37	52-2860	2	Washer
16	109-6658	3	Nut-Flange, NI	38	116-5111	1	Bushing
17	109-6982	2	Wireform-Cover	41	116-6317	1	Spring-Extension
18	104-8301	16	Nut-HF, NI	42	3230-3	1	Screw-CARR
19	3231-27	9	Screw-CARR	43	126-4781-03	1	Step-Deck
20	107-8541-01	1	Baffle-Discharge	46	133-2141	1	Belt-V
				47	323-38	1	Screw-HH

Deck Decal Assembly No. 127-6797

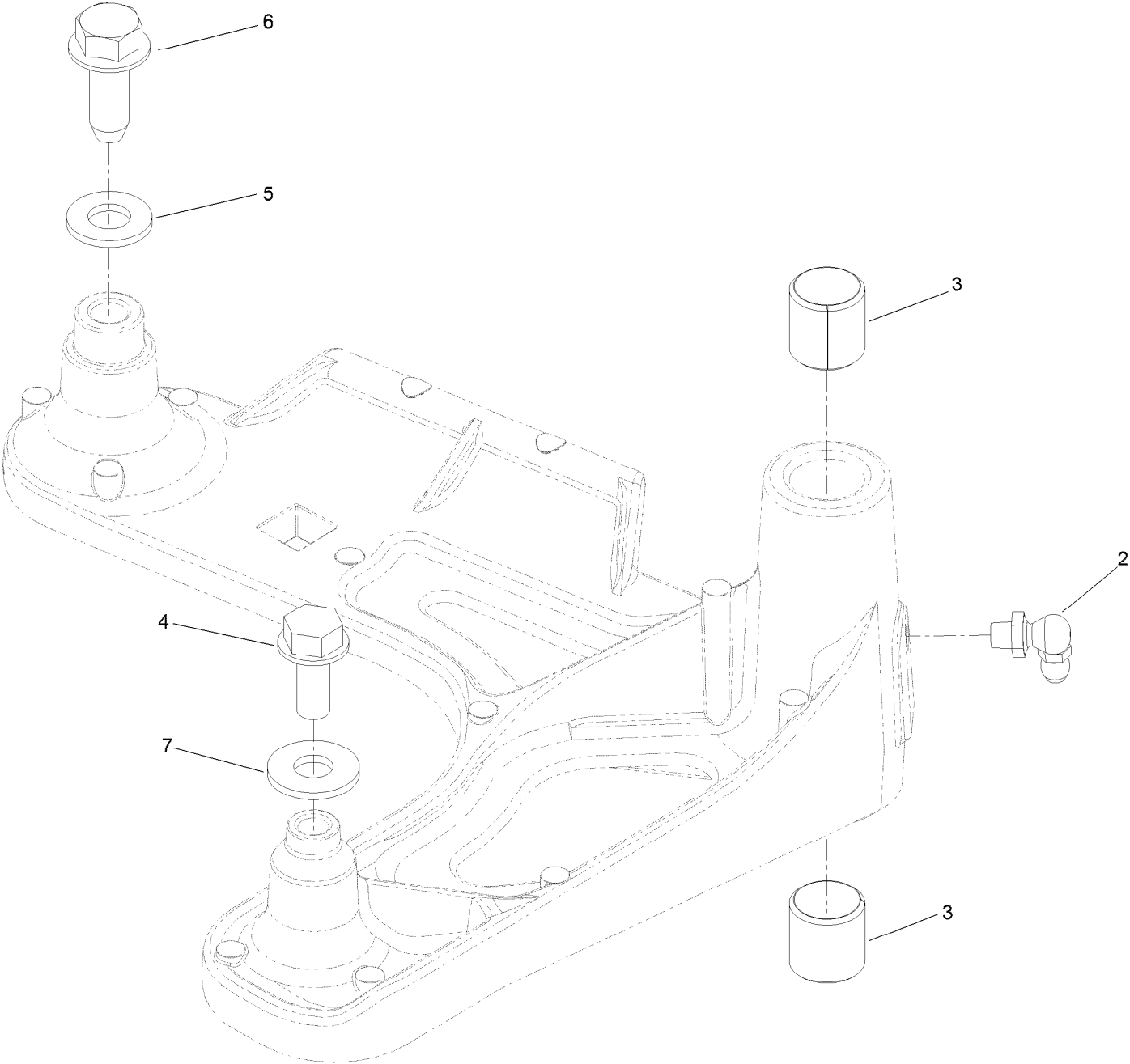


Deck Decal Assembly No. 127-6797 (continued)

<i>Ref.</i>	<i>Part Number</i>	<i>Qty.</i>	<i>Description</i>	<i>Ref.</i>	<i>Part Number</i>	<i>Qty.</i>	<i>Description</i>
1		1	Deck Decal ASM ●	7	109-6035	1	Decal-Routing, Belt
2	93-7818	1	Decal-Torque, Blade Bolt	8	121-3205	1	Decal
5	112-9028	2	Decal-Cover, Missing	9	127-0326	1	Decal-Scalp, Anti
6	117-3848	2	Decal-Danger				

● Not serviced separately

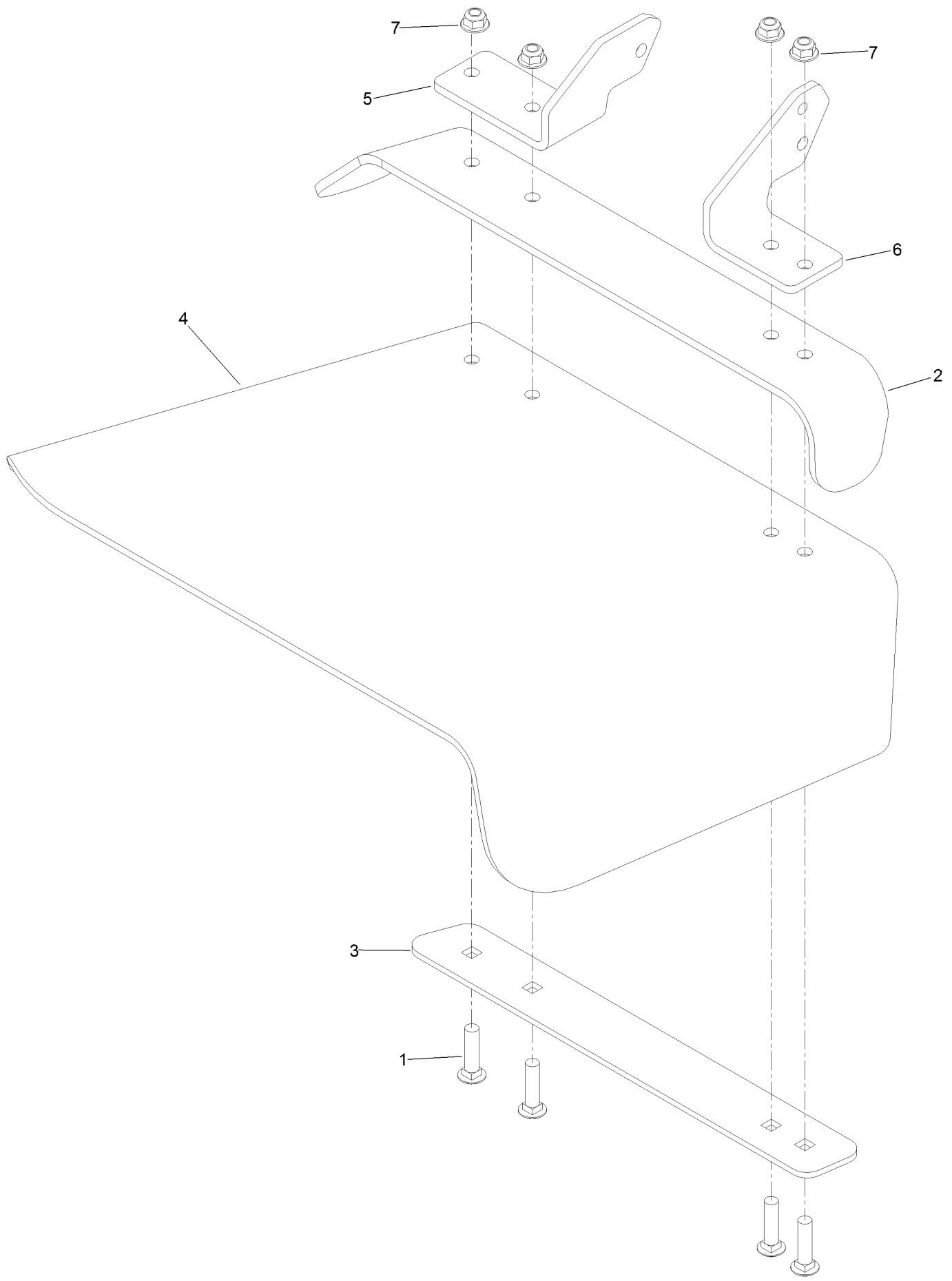
Idler Arm Assembly No. 126-0976



Idler Arm Assembly No. 126-0976 (continued)

<i>Ref.</i>	<i>Part Number</i>	<i>Qty.</i>	<i>Description</i>	<i>Ref.</i>	<i>Part Number</i>	<i>Qty.</i>	<i>Description</i>
2	302-40	1	Fitting-Grease, 90 DEG	5	3256-24	1	Washer-Flat
3	1-513034	2	Sleeve-Bearing	6	126-1696	1	Screw-Forming, Thread
4	32144-11	1	Screw-HWHTF	7	3256-3	1	Washer-Flat

Rubber Deflector Assembly No. 108-2792



Rubber Deflector Assembly No. 108-2792 (continued)

<i>Ref.</i>	<i>Part Number</i>	<i>Qty.</i>	<i>Description</i>	<i>Ref.</i>	<i>Part Number</i>	<i>Qty.</i>	<i>Description</i>
1	3231-4	4	Screw-CARR	5	108-4059-01	1	Plate-Hinge, Rear
2	106-3246-01	1	Deflector	6	106-3253-01	1	Plate-Hinge, Front
3	106-3248-03	1	Strap-Discharge	7	104-8301	4	Nut-HF, NI
4	108-5029	1	Deflector-Rubber				

Attachments and Accessories

For 74471 52in TITAN HD 2500 Series Riding Mower

Product Name	Model/Part
Hypr-Oil 500 (quart)	114-4713
Hypr-Oil 500 (gallon).....	114-4714
Hypr-Oil 500-5 (5 gallon).....	114-4715
Toro Hydro Kit	121-3783
LED Light Kit.....	126-5382
Front Bucket Bracket Kit	126-7011
Striper Kit.....	126-7882
Sunshade Kit	126-8077
Cover-hitch	126-8299
Trash Container Kit.....	126-8379
Weight Caster Kit.....	126-8639
Flat Free Wheel and Bearing Kit	126-9368
Jack Kit.....	127-6666
MVP Belt and Blade Kit.....	127-6791
Engine Maint Kit-kawasaki Fx.....	133-1307
Hi-Back Seat Cover	133-1308
Blade-Rotary, 18.0in (hi Flow).....	133-2134
Blade-Rotary, Atomic 18.0	133-2159
Blade-Rotary, Recycling 18.0in.....	133-2162
52in Recycler Kit.....	133-2167
Blade (6 Pack) 18in Hi Flow	133-2175
Blade (6 Pack) 18in Recycle	133-2178
Blade (6 Pack) 18in Atomic.....	133-2181
5 Gallon Bucket	133-2533
Trimmer Mount Kit	136-1682
ROPS Pin Kit	136-1683
Bucket Mount Kit.....	136-9045
Universal Mount Kit Mower	136-9046
Titan Hd Triple Threat Attachment Kit	136-9047
Toro Deluxe Rider Cover.....	490-7319
Heavy Duty Bagger Kit	78431
52in Completion Kit (Heavy duty Bagger)	78437
Standard Ez Vac Bagger.....	78481
52in Completion Kit (Standard Bagger)	78487

Notes:

Notes:

Notes:



Count on it.