



**Count on it.**

**Parts Catalog**

**24in Stand-On Aerator**

Model No. 29516—Serial No. 40000000 and Up



# Ordering Replacement Parts

To order replacement parts, please supply the part number, the quantity, and the description of each part desired.

## **Understanding Reference Numbers**

Each identified part in an illustration has a reference number. The reference number for a part also appears in the parts list, along with other information about the part.

This catalog uses two special reference number formats, one to indicate parts in a service assembly and another to indicate the quantity of a given part in an illustration.

## **Service Assembly Reference Numbers**

Parts in service assemblies have reference numbers in the form a:b. The a represents the reference number of the entire service assembly and the b represents a sequential number unique to each part within the service assembly.

For example, a wheel assembly might be identified by reference number 6, the tire by 6:1, the valve by 6:2, and the wheel by 6:3. When you order the assembly identified by reference number 6, you receive all parts identified by reference numbers 6:1, 6:2, and 6:3. However, you may also order any part individually. Reference numbers of this type appear in illustration and in parts lists.

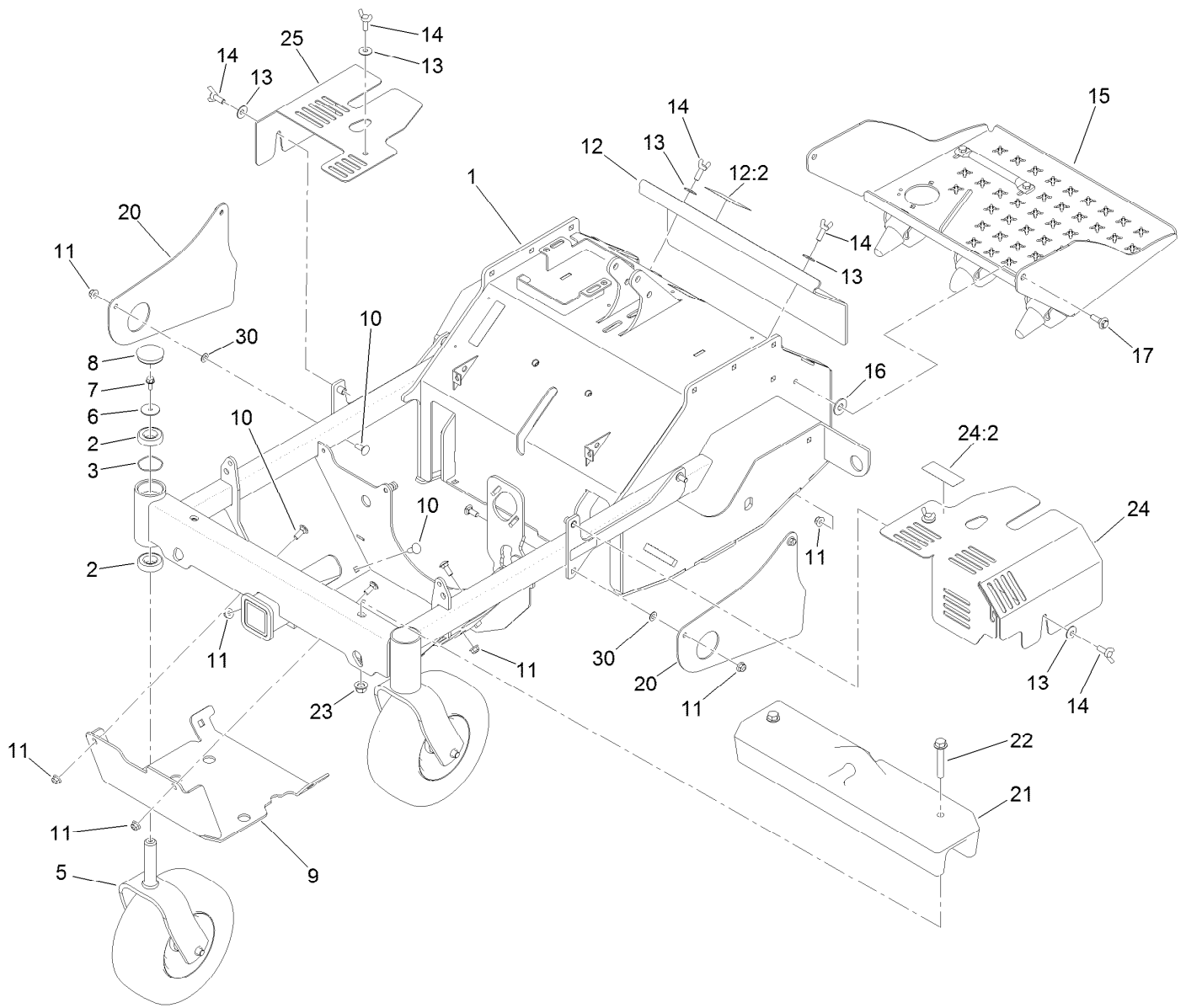
## **Reference Numbers Indicating Quantity**

In an illustration, if a reference number indicates more than one part, the reference number has the form nX y. The n represents the quantity of the part, the X is the multiplication symbol, and the y represents the reference number.

For example, in an illustration, the reference number 2X 37 means that two of the parts identified by reference number 37 are indicated.

# Contents

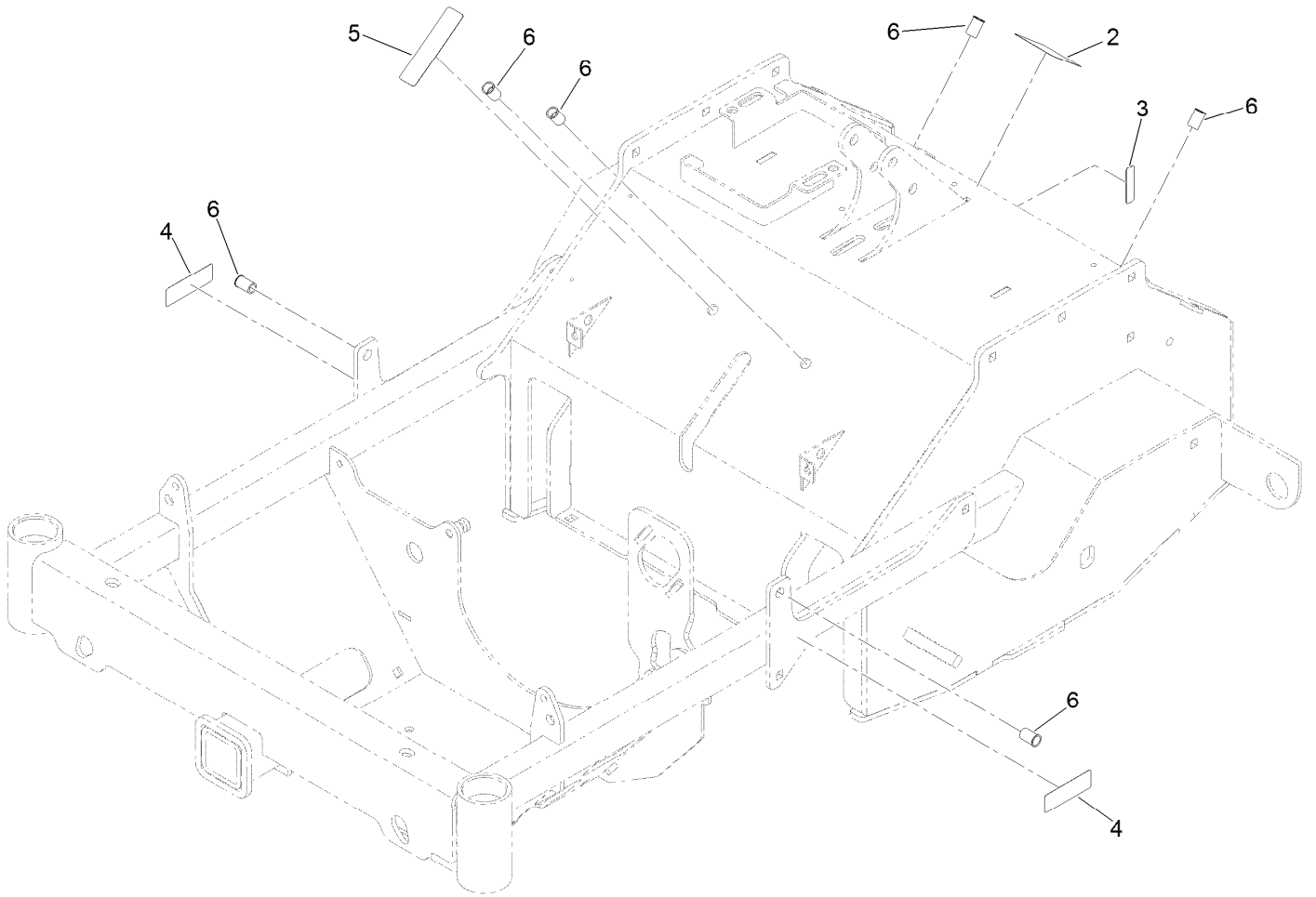
Frame Assembly	4
Main Frame Assembly No. 126-8700	5
Front Caster Assembly	6
Platform Assembly No. 126-9883	7
Control Tower and Brake Assembly	8
Control Tower Assembly No. 135-1701	9
Ground Drive Assembly	10
LH Transaxle Assembly No. 126-9064	12
RH Transaxle Assembly No. 126-9065	13
Wheel and Tire Assembly No. 126-9846	14
Idler Arm Assembly No. 126-9116	15
Tine Assembly	16
Left Hand Tine Wheel Assembly No. 126-9550	17
Right Hand Tine Wheel Assembly No. 126-9551	18
Motion Control Assembly	19
Electrical Assembly	20
Wire Harness Assembly No. 126-9535	21
Auxiliary Hydraulic Assembly	22
Manifold Assembly No. 126-9321	24
Engine Assembly	25



## Frame Assembly

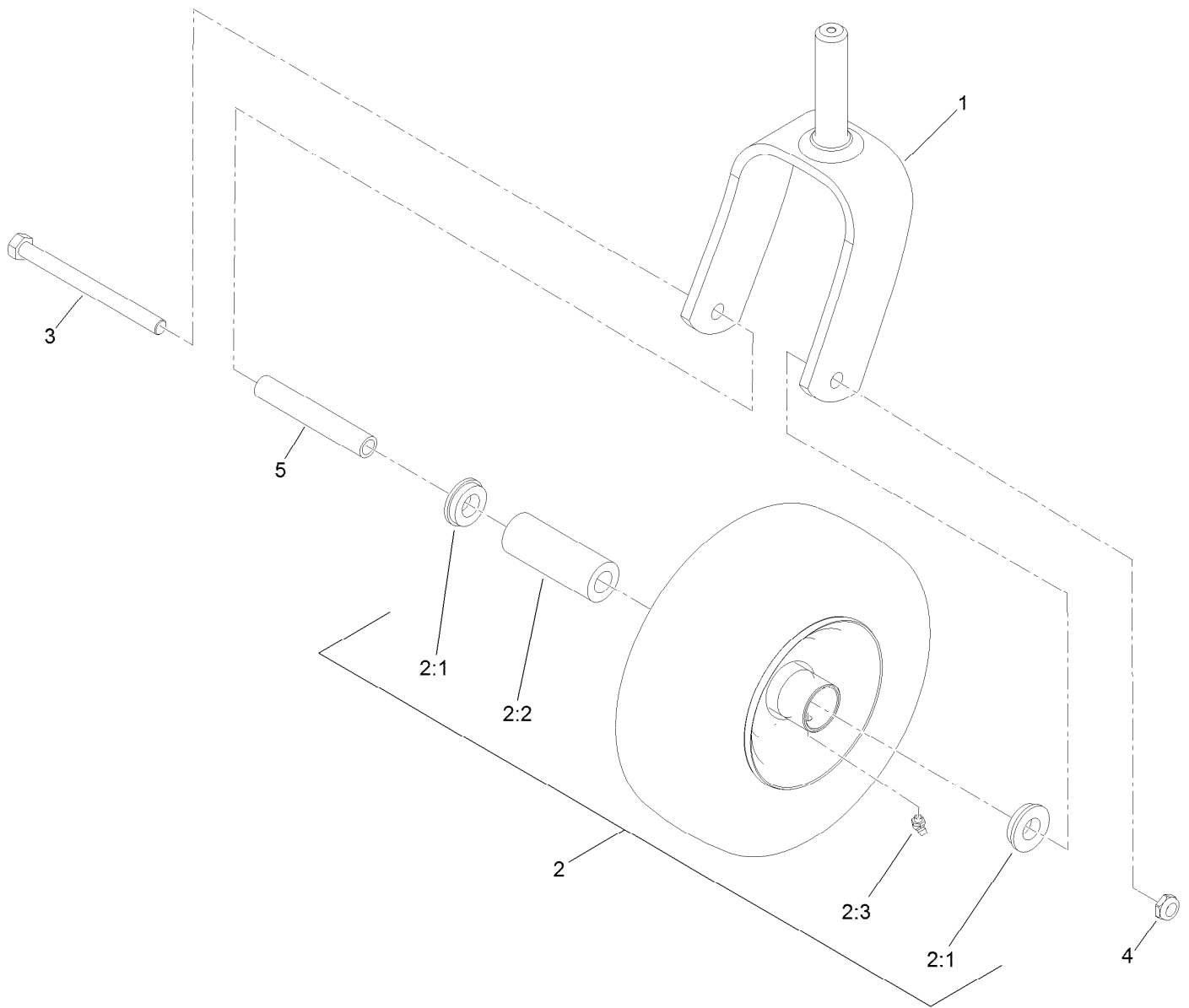
Ref.	Part Number	Qty.	Description	Ref.	Part Number	Qty.	Description
1	126-8700	1	Main Frame ASM	13	3290-461	6	Washer-Spring
2	109-3678	4	Bearing-Ball	14	126-6752	6	Screw-Thumb
3	126-5897	2	Spring	15	126-9883	1	Platform ASM
5		2	Front Caster ASM ●	16	3256-6	2	Washer-Flat
6	3256-68	2	Washer-Flat	17	614672	2	Screw-Shoulder, HWH
7	3234-5	2	Screw-HHF	20	126-9819-01	2	Guard-Chain
8	116-4348	2	Cap-Grease	21	135-2017	1	Weight-Front
9	126-8726-03	1	Guard-Engine	22	3234-40	2	Screw-HF
10	3231-2	8	Bolt-CARR	23	99-5107	2	Nut-Lock
11	104-8301	10	Nut-HF, NI	24	135-3270	1	Hydro-Cover
12	126-8801	1	Access Cover ASM	24:2	135-3183	1	Decal-Release, Drive
12:2	121-6163	1	Decal-Operation, Tine Ground (CE)	25	135-0822-03	1	Cover-Hydro
				30	131-8667	4	Washer-Thrust

● Not serviced separately



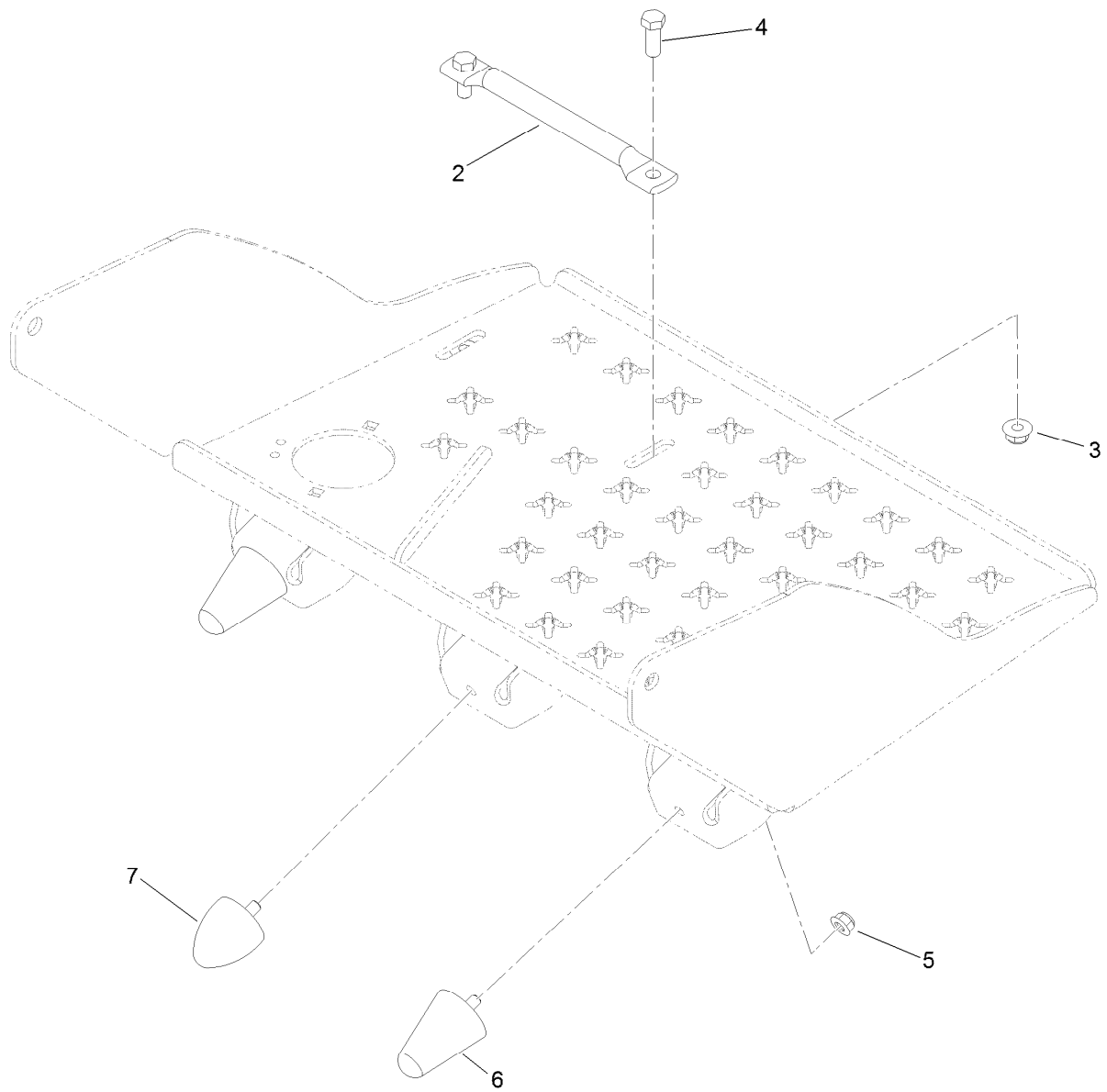
## Main Frame Assembly No. 126-8700

<i>Ref.</i>	<i>Part Number</i>	<i>Qty.</i>	<i>Description</i>
2	121-6150	1	Decal-Warning
3	120-9570	1	Decal-Warning
4	121-6161	2	Decal-Danger
5	117-2718	1	Decal-Arrester, Spark
6	32148-10	6	Insert-Nut



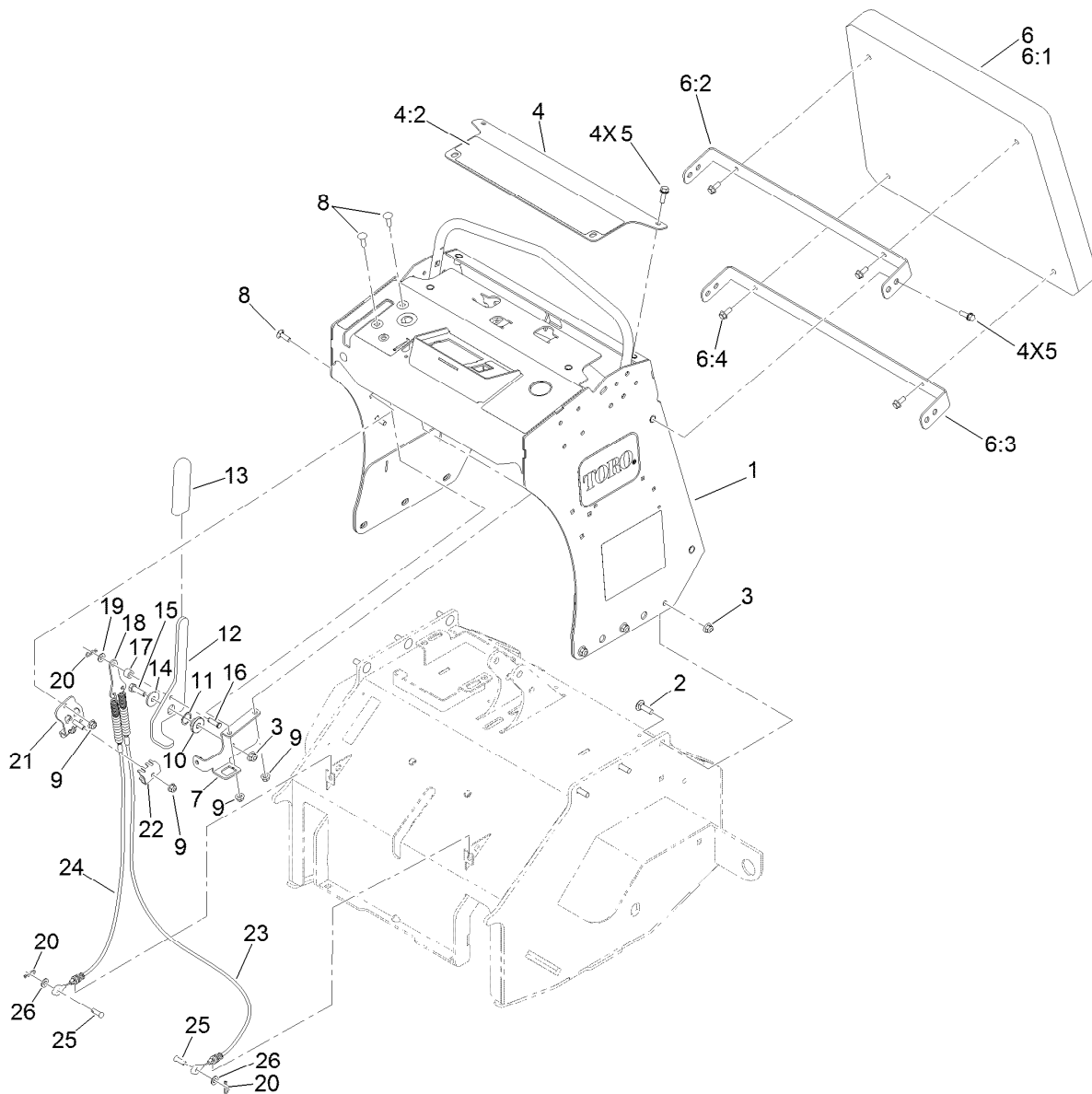
## Front Caster Assembly

Ref.	Part Number	Qty.	Description
1	135-1354-01	1	Fork-Caster
2	126-9724	1	Wheel And Tire ASM
2:1	1-513810	2	Bushing
2:2	1-513809	1	Bearing
2:3	302-61	1	Fitting-Grease
3	325-20	1	Screw-HH
4	3296-45	1	Nut-Lock, NI
5	1-513547	1	Spacer



## Platform Assembly No. 126-9883

<i>Ref.</i>	<i>Part Number</i>	<i>Qty.</i>	<i>Description</i>
2	116-8950-01	1	Rocker-Pedal, Foot
3	104-8301	2	Nut-HF, NI
4	323-6	2	Screw-HH
5	104-8300	3	Nut-HF, NI
6	114-1925	2	Bumper-Rubber
7	114-1926	1	Bumper-Rubber

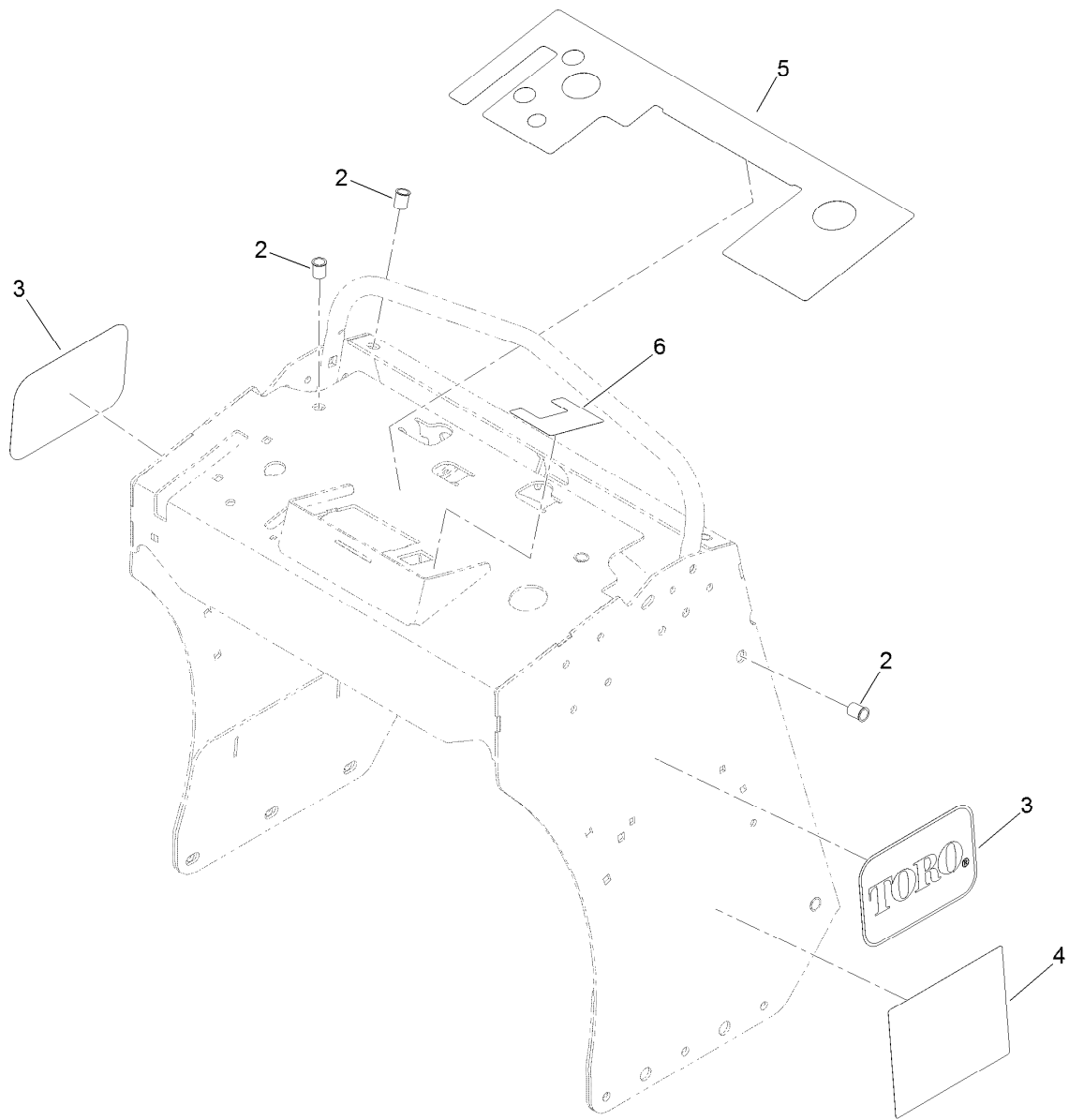


## Control Tower and Brake Assembly

Ref.	Part Number	Qty.	Description	Ref.	Part Number	Qty.	Description
1	135-1701	1	Control Tower ASM	12	135-1715	1	Handle-Brake
2	3231-25	6	Bolt-CARR	13	1-633268	1	Grip-Lever
3	104-8301	7	Nut-HF, NI	14	2844	1	Washer
4	135-1696	1	Control Panel ASM	15	323-7	1	Screw-HH
4:2	135-2014	1	Decal-Warning	16	283-61	1	Pin-Yoke
5	3234-29	8	Screw-HHF	17	114-8549	1	Bushing
6		1	Cushion ASM ●	18	132-1188	1	Yoke-Cable
6:1	135-1694	1	Cushion-Black	19	93-6079	1	Spacer-Nylon
6:2	135-1712-03	1	Bracket-Pad, Upper	20	3290-307	3	Pin-Cotter
6:3	135-1713-03	1	Bracket-Pad, Lower	21	132-7582	1	Mount-Cable, Brake
6:4	98-9940	4	Screw	22	132-1187	1	Clamp-Cable
7	135-1714-03	1	Bracket-Pivot, Brake	23	135-0081	1	Cable-Brake, LH
8	3230-22	5	Screw-CARR	24	135-0082	1	Cable-Brake, RH
9	104-8300	6	Nut-HF, NI	25	283-75	2	Pin-Clevis
10	126-5989	1	Pivot-Flange	26	3256-23	2	Washer-Plain
11	119-4164	1	Washer-Wave				

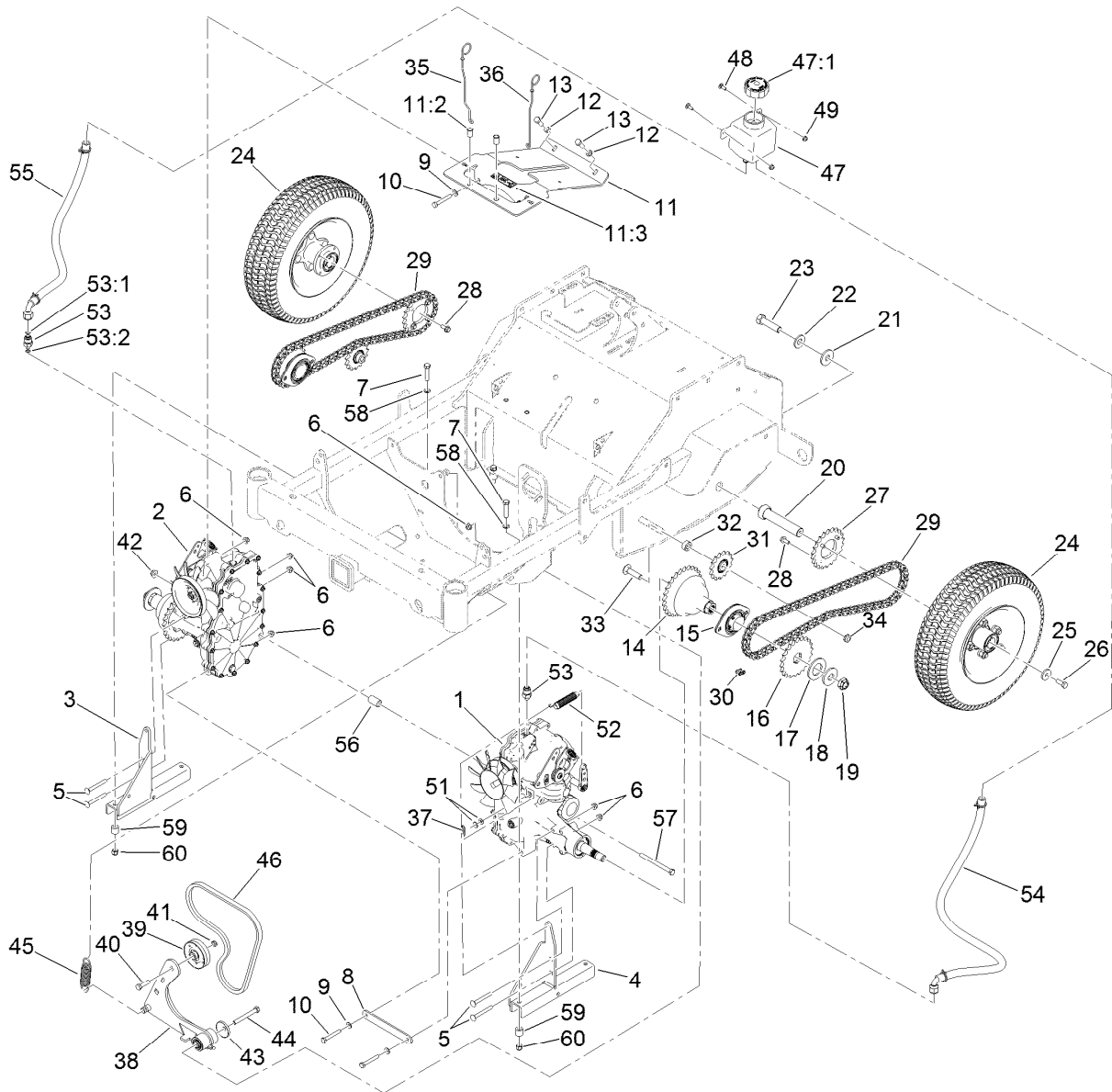
● Not serviced separately





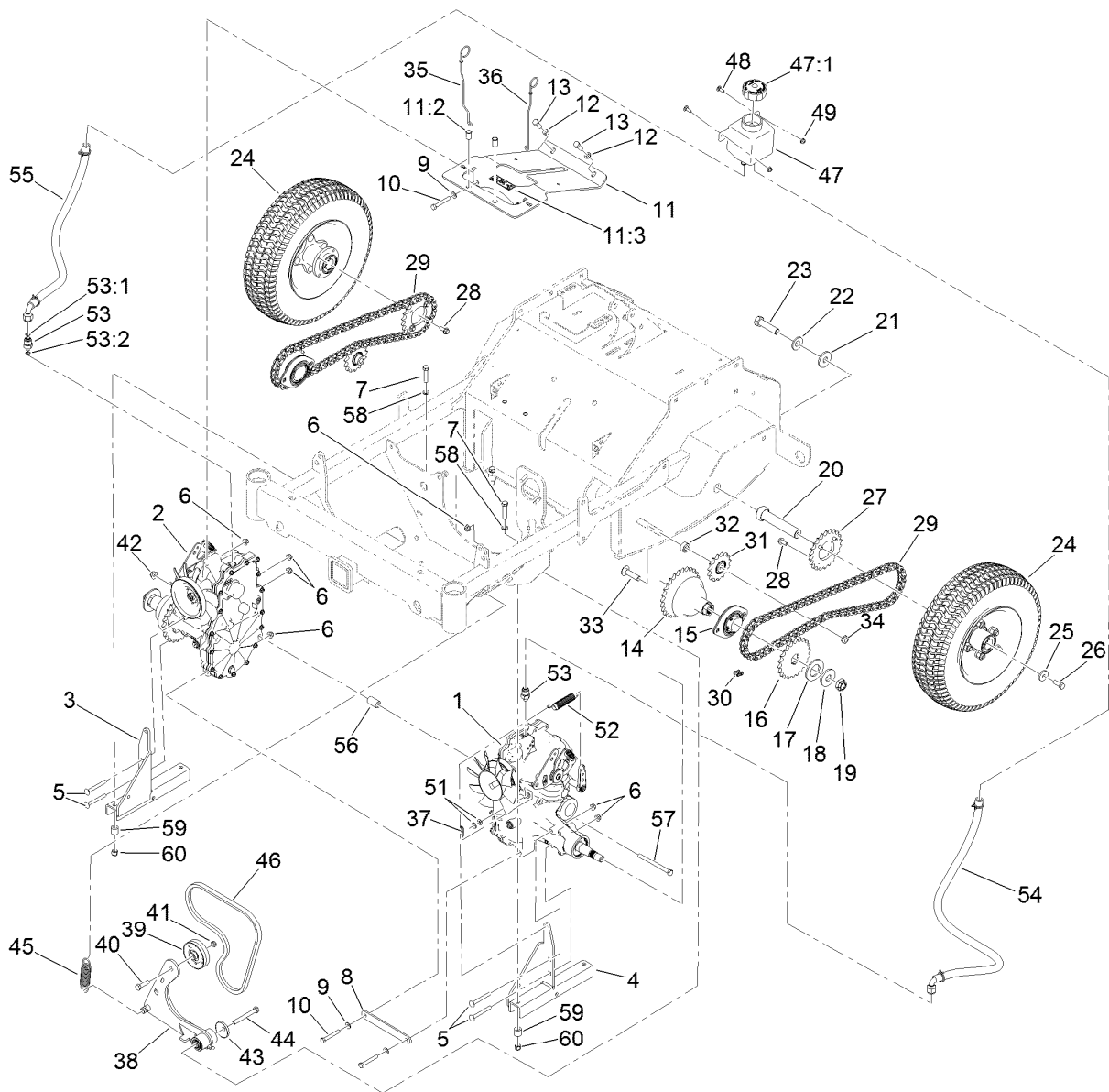
## Control Tower Assembly No. 135-1701

<i>Ref.</i>	<i>Part Number</i>	<i>Qty.</i>	<i>Description</i>
2	32148-7	8	Nut-Insert
3	62-5550	2	Decal
4	135-3685	1	Decal-Aid, Service
5	135-2013	1	Decal-Panel, Control
6	135-2016	1	Decal-Control, Tine



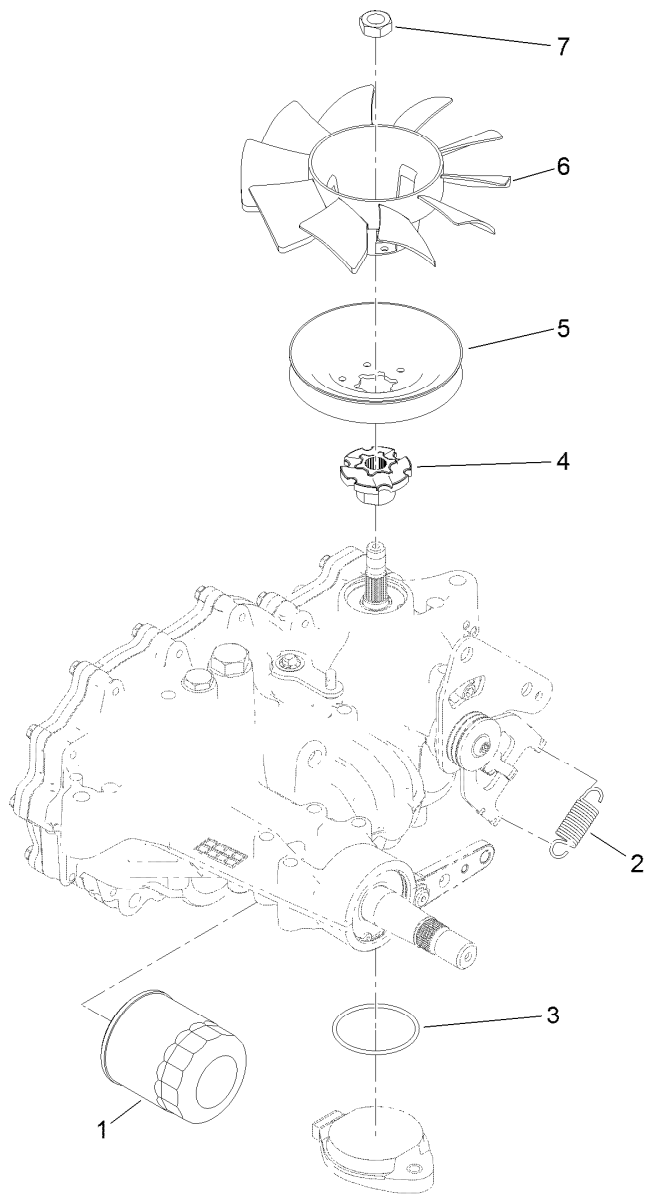
## Ground Drive Assembly

Ref.	Part Number	Qty.	Description	Ref.	Part Number	Qty.	Description
1	126-9064	1	Hydro-Zt3100, LH	20	135-1895	2	Axle-Wheel, Drive
2	126-9065	1	Hydro-Zt3100, RH	21	135-1894	2	Washer-Spacer
3	135-2004-03	1	Mount-Hydro, RH	22	125-1736	2	Washer-Belleville
4	135-2006-03	1	Mount-Hydro, LH	23	327-7	2	Screw-HH
5	3230-9	4	Screw-CARR	24	126-9846	2	Wheel And Tire ASM
6	104-8300	8	Nut-HF, NI	25	53-6380	3	Washer-Flat
7	323-52	4	Screw-HH	26	3235-22	2	Screw-HH, Lock
8	126-9092-03	1	Crossmember-Transmission	27	126-9075	2	Sprocket
9	1-303334	4	Washer-Spring	28	98-9940	8	Screw
10	132-3838	4	Screw-HH	29	135-1100	2	Chain-Roller
11	135-2497	1	Support-Cover	30	116-6897	2	Link-Connecting
11:2	32148-10	2	Insert-Nut	31	126-9108	2	Sprocket-Idler, 15T
11:3	121-6161	1	Decal-Danger	32	126-9498	2	Spacer
12	3253-21	2	Washer-Lock	33	3233-4	2	Screw-CARR
13	323-6	2	Screw-HH	34	3296-45	2	Nut-Lock, NI
14	135-0537	2	Hub-Bell	35	135-0683	1	Rod-Bypass, LH
15	135-1056	2	Bearing-Flanged	36	135-0685	1	Rod-Bypass, RH
16	135-0347	2	Sprocket	37	3290-307	2	Pin-Cotter
17	135-0360	2	Washer-Spacer	38	126-9116	1	Idler Arm ASM
18	26-1990	2	Washer-Belleville	39	116-9715	1	Pulley-Idler
19	116-2839	2	Nut-Lock	40	323-29	1	Screw-HH



## Ground Drive Assembly (continued)

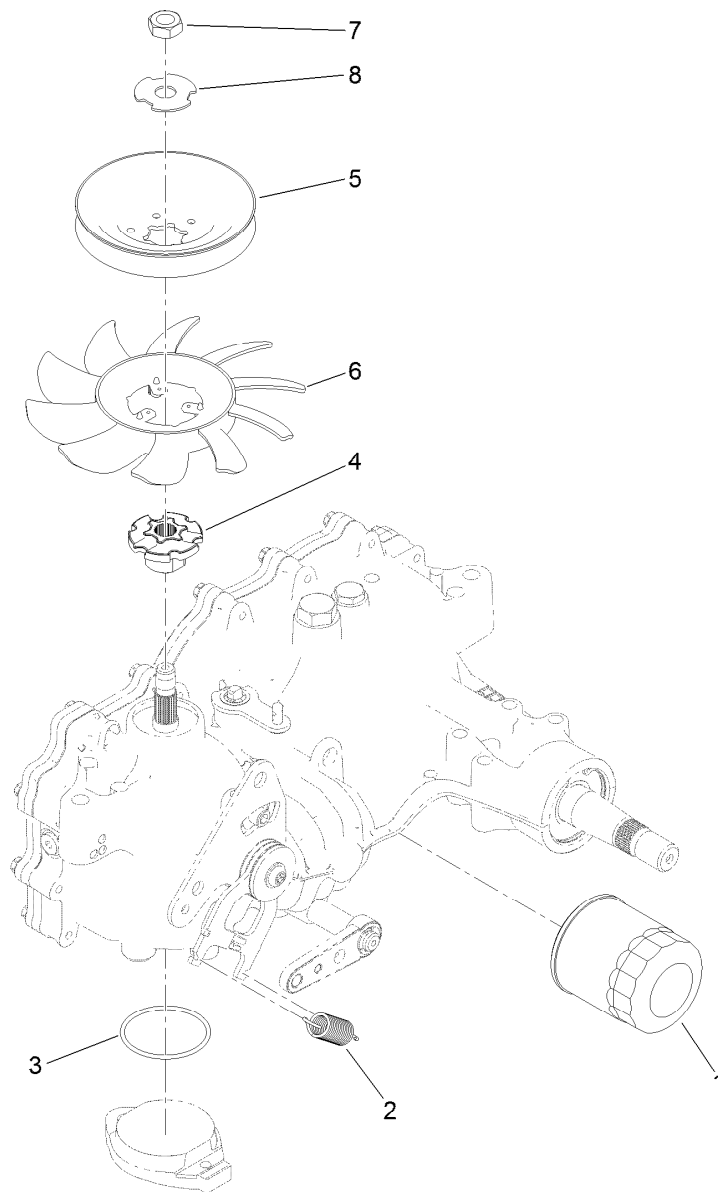
<i>Ref.</i>	<i>Part Number</i>	<i>Qty.</i>	<i>Description</i>	<i>Ref.</i>	<i>Part Number</i>	<i>Qty.</i>	<i>Description</i>
41	3296-59	2	Nut-Lock, NI	52	109-7124	2	Spring-Extension
42	104-8301	1	Nut-HF, NI	53	135-3138	2	Fitting-Straight
43	103-2916	1	Guard-Top	53:1	237-78	1	O-Ring
44	323-20	1	Screw-HH	53:2	1-603992	1	O-Ring
45	1-603402	1	Spring-Extension	54	135-0061	1	Hose ASM
46	126-9834	1	Belt-V, Cogged	55	135-0062	1	Hose ASM
47	109-2250	1	Tank-HYD	56	135-0124	1	Spacer
47:1	109-3320	1	Cap-Reservoir, HYD	57	323-23	1	Screw-HH
48	3229-1	2	Bolt-CARR	58	106-5592	4	Spacer-Brake, Parking
49	104-7201	2	Nut-HF	59	98-8895	4	Spacer
51	119-8952	4	Washer	60	112-0236	4	Nut-Lock



## LH Transaxle Assembly No. 126-9064

<i>Ref.</i>	<i>Part Number</i>	<i>Qty.</i>	<i>Description</i>
1	109-3321	1	Element-Oil Filter, HYD
2	135-3931	1	Spring-Extension
3	109-3540	1	O Ring-Seal
4	116-9705	1	Hub-Pulley
5	116-9707	1	Pulley
6	126-0291	1	Fan-7.0 Inch (10 Blade)
7	116-9714	1	Nut-HJ
99	135-3604	1	Brake Shaft Seal Kit ●

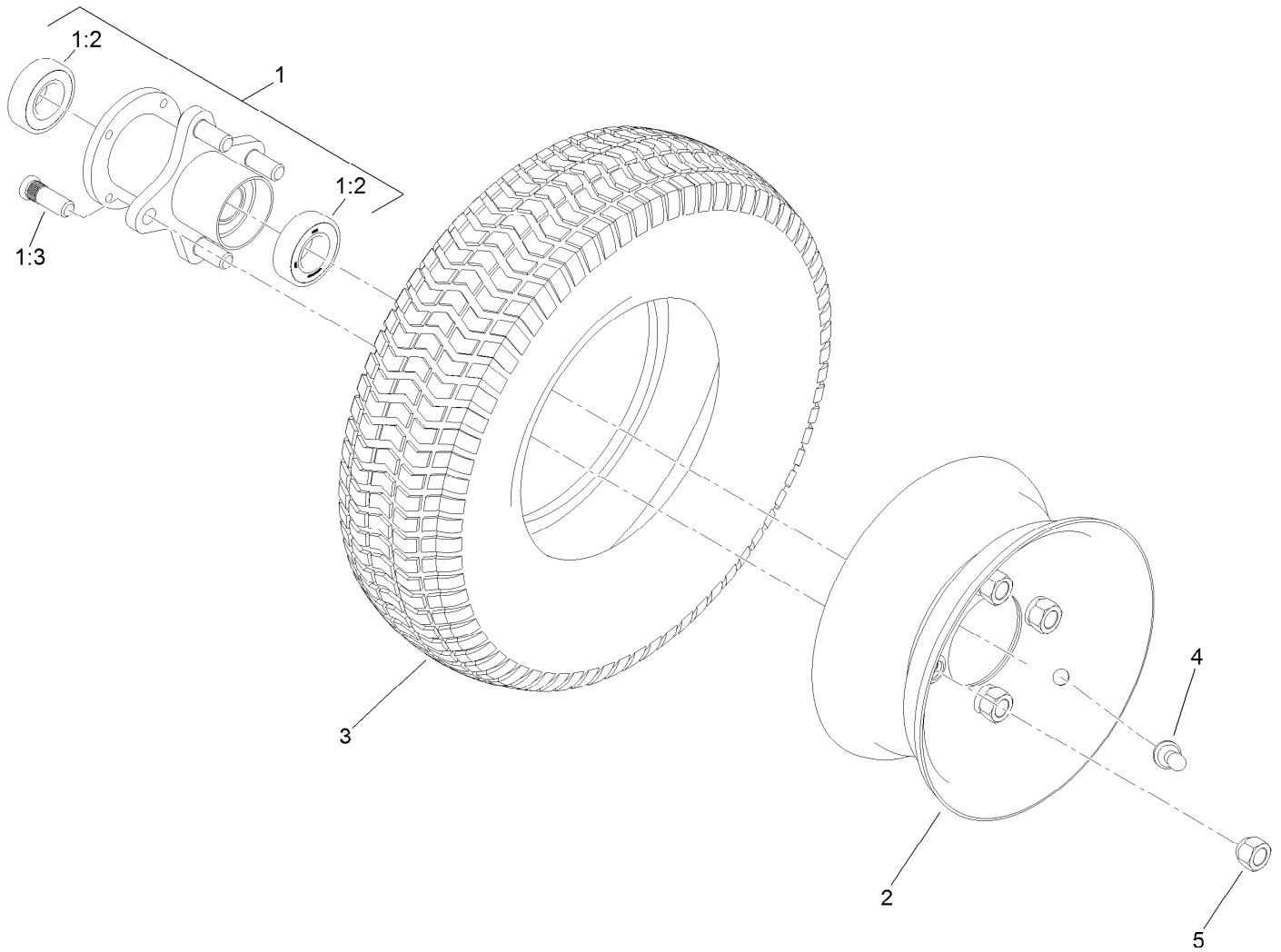
● Not illustrated



## RH Transaxle Assembly No. 126-9065

<i>Ref.</i>	<i>Part Number</i>	<i>Qty.</i>	<i>Description</i>
1	109-3321	1	Element-Oil Filter, HYD
2	135-3931	1	Spring-Extension
3	109-3540	1	O Ring-Seal
4	116-9705	1	Hub-Pulley
5	116-9707	1	Pulley
6	116-9706	1	Fan
7	116-9714	1	Nut-HJ
8	116-9708	1	Washer-Slotted
99	135-3604	1	Brake Shaft Seal Kit ●

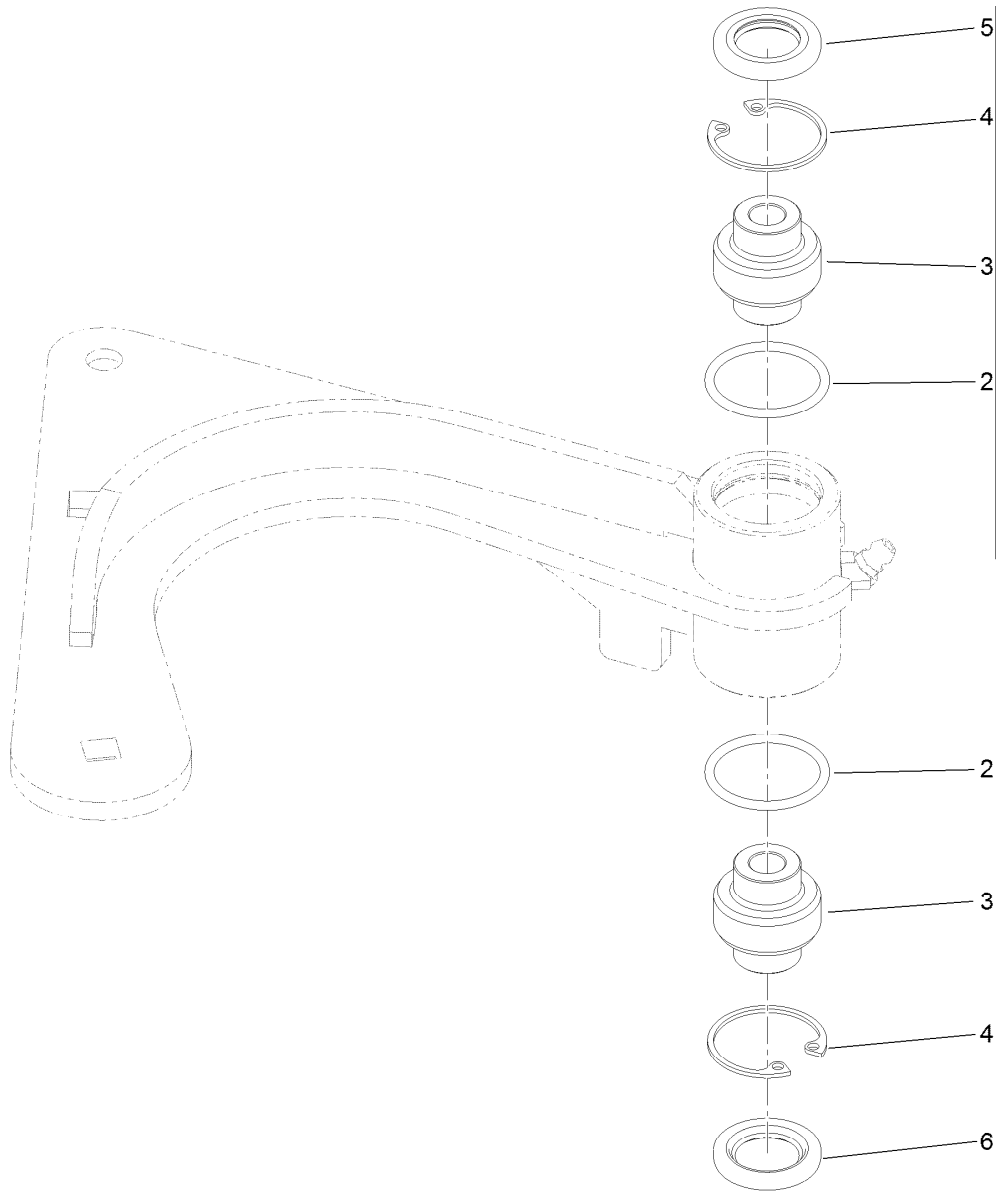
● Not illustrated



## Wheel and Tire Assembly No. 126-9846

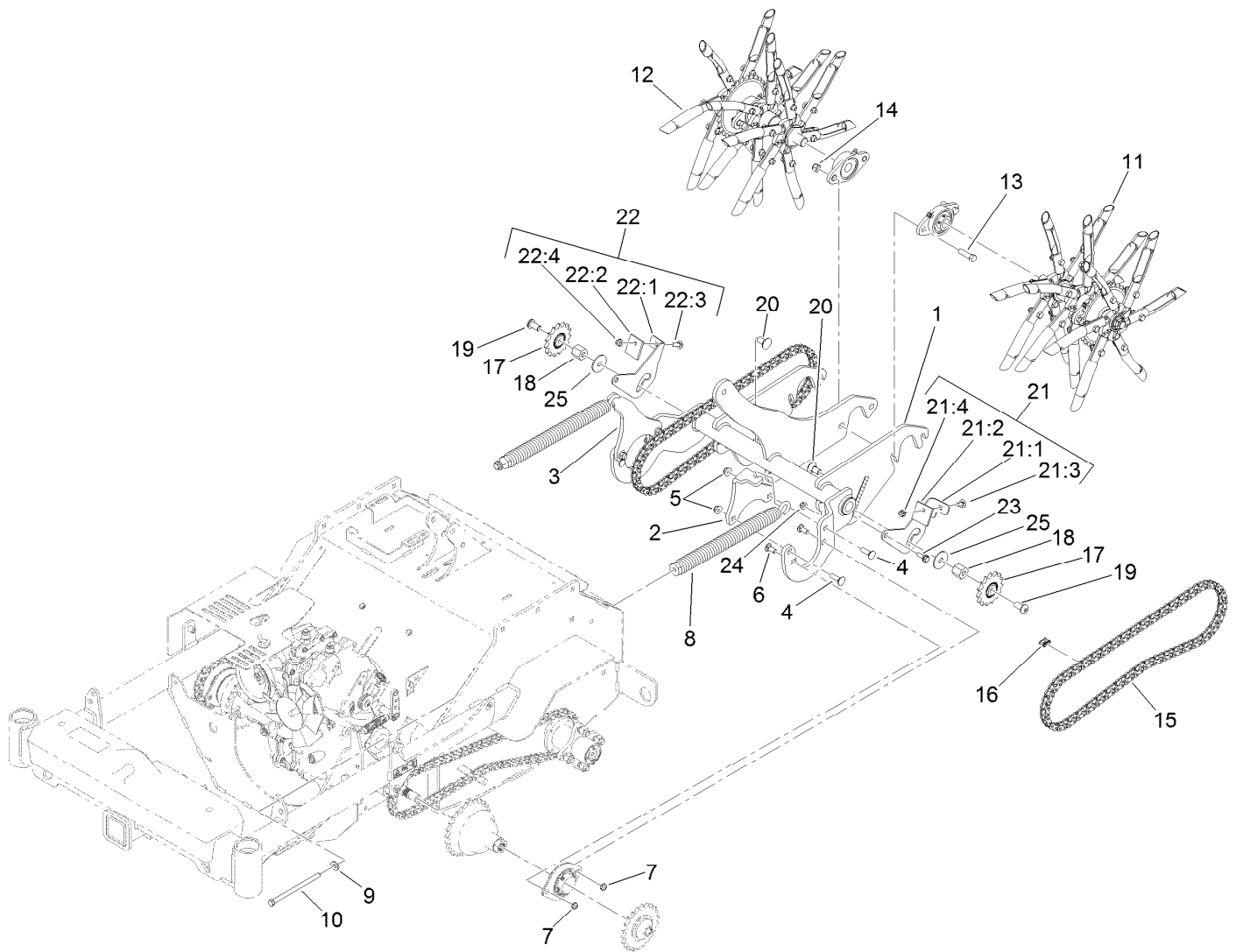
<i>Ref.</i>	<i>Part Number</i>	<i>Qty.</i>	<i>Description</i>
1		1	Wheel Hub ASM ●
1:2	116-0720	2	Bearing-Ball
1:3	116-1696	4	Stud-Wheel
2		1	Rim ●
3		1	Tire ●
4	232-27	1	Stem-Valve
5	242-50	4	Nut-Lug

● Not serviced separately



## Idler Arm Assembly No. 126-9116

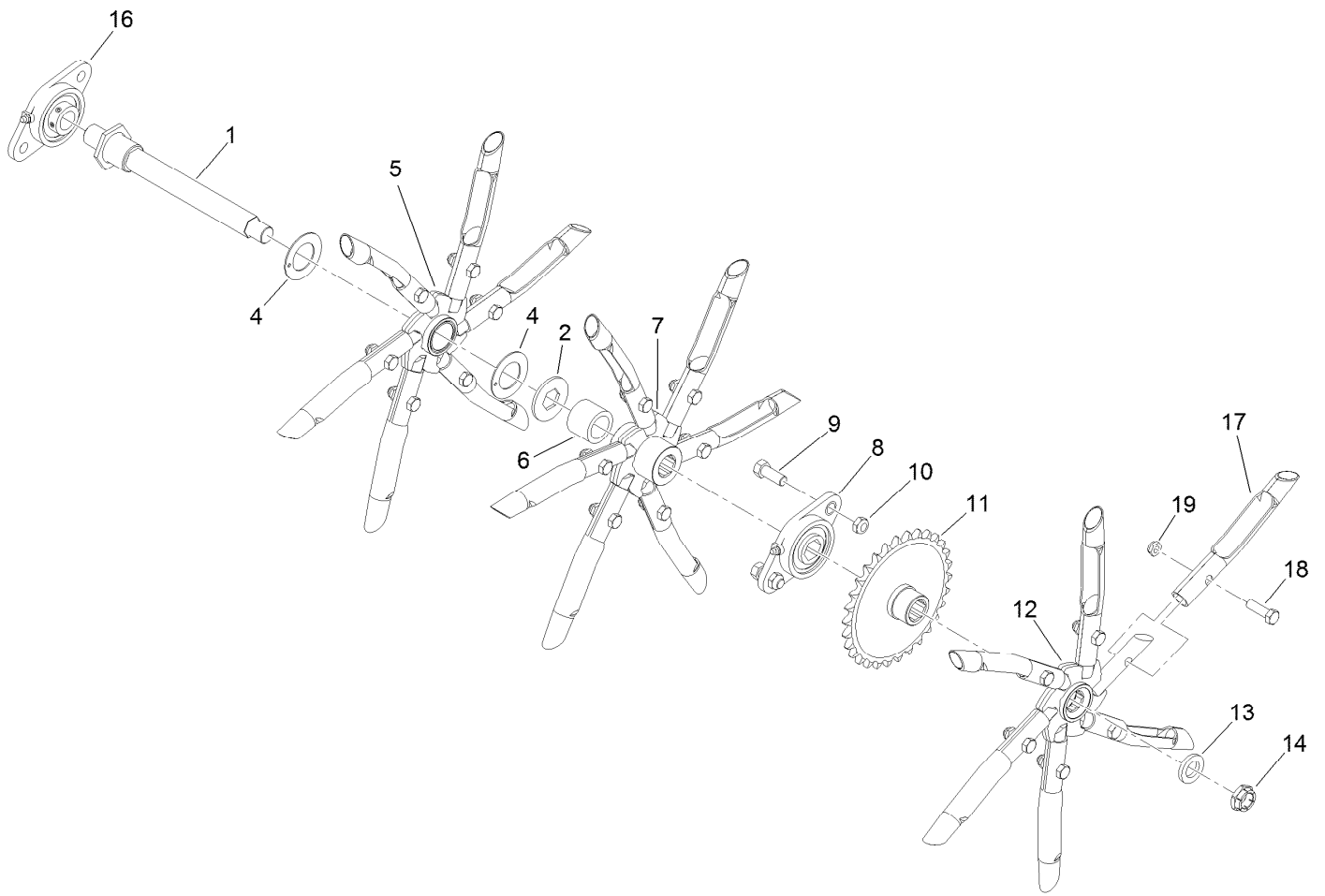
<i>Ref.</i>	<i>Part Number</i>	<i>Qty.</i>	<i>Description</i>
2	106-7159	2	O-Ring
3	103-3504	2	Bearing-Spherical
4	32120-10	2	Ring-Snap
5	103-3505	1	Seal-Lip, Double
6	103-3506	1	Seal-Lip, Single



## Tine Assembly

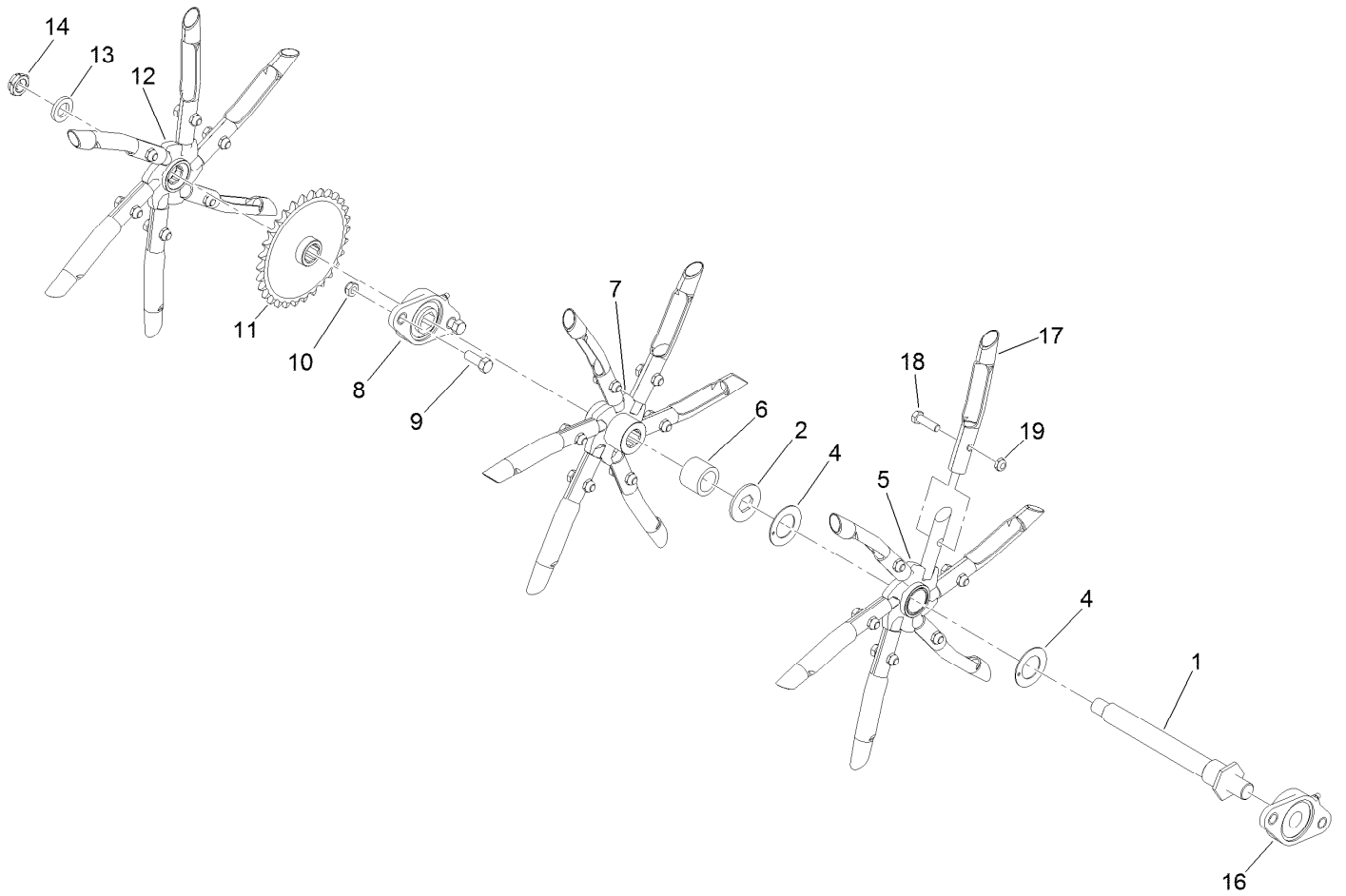
Ref.	Part Number	Qty.	Description	Ref.	Part Number	Qty.	Description
1	135-0810-03	1	Lift-Tine	19	99-8446	2	Screw- Pan Socket Head
2	135-1060-03	1	Arm-Spring, LH	20	3233-9	2	Screw-CARR
3	135-1061-03	1	Arm-Spring, RH	21	135-2405	1	LH Debris Deflector ASM
4	3231-25	4	Bolt-CARR	21:1	135-2325	1	Bracket-Deflector, Debris (LH)
5	104-8301	4	Nut-HF, NI	21:2	135-2403	1	Deflector-Debris
6	3231-12	4	Bolt-CARR	21:3	3230-10	1	Bolt-CARR
7	3296-59	4	Nut-Lock, NI	21:4	104-8300	1	Nut-HF, NI
8	116-0000	2	Spring-Extension	22	135-2404	1	RH Debris Deflector ASM
9	98-5975	2	Washer-Belleville	22:1	135-2406	1	Bracket-Deflector, Debris (RH)
10	323-58	2	Bolt-TAP, HH	22:2	135-2403	1	Deflector-Debris
11	126-9550	1	LH Tine Wheel ASM	22:3	3230-10	1	Bolt-CARR
12	126-9551	1	RH Tine Wheel ASM	22:4	104-8300	1	Nut-HF, NI
13	324-6	2	Screw-HH	23	27-0410	2	Screw-Shoulder
14	3296-76	2	Nut-Lock, NI	24	104-8300	2	Nut-HF, NI
15	135-1100	2	Chain-Roller	25	120-3856	2	Washer-Flat
16	116-6897	2	Link-Connecting				
17	126-9108	2	Sprocket-Idler, 15T				
18	135-2242	2	Spacer				





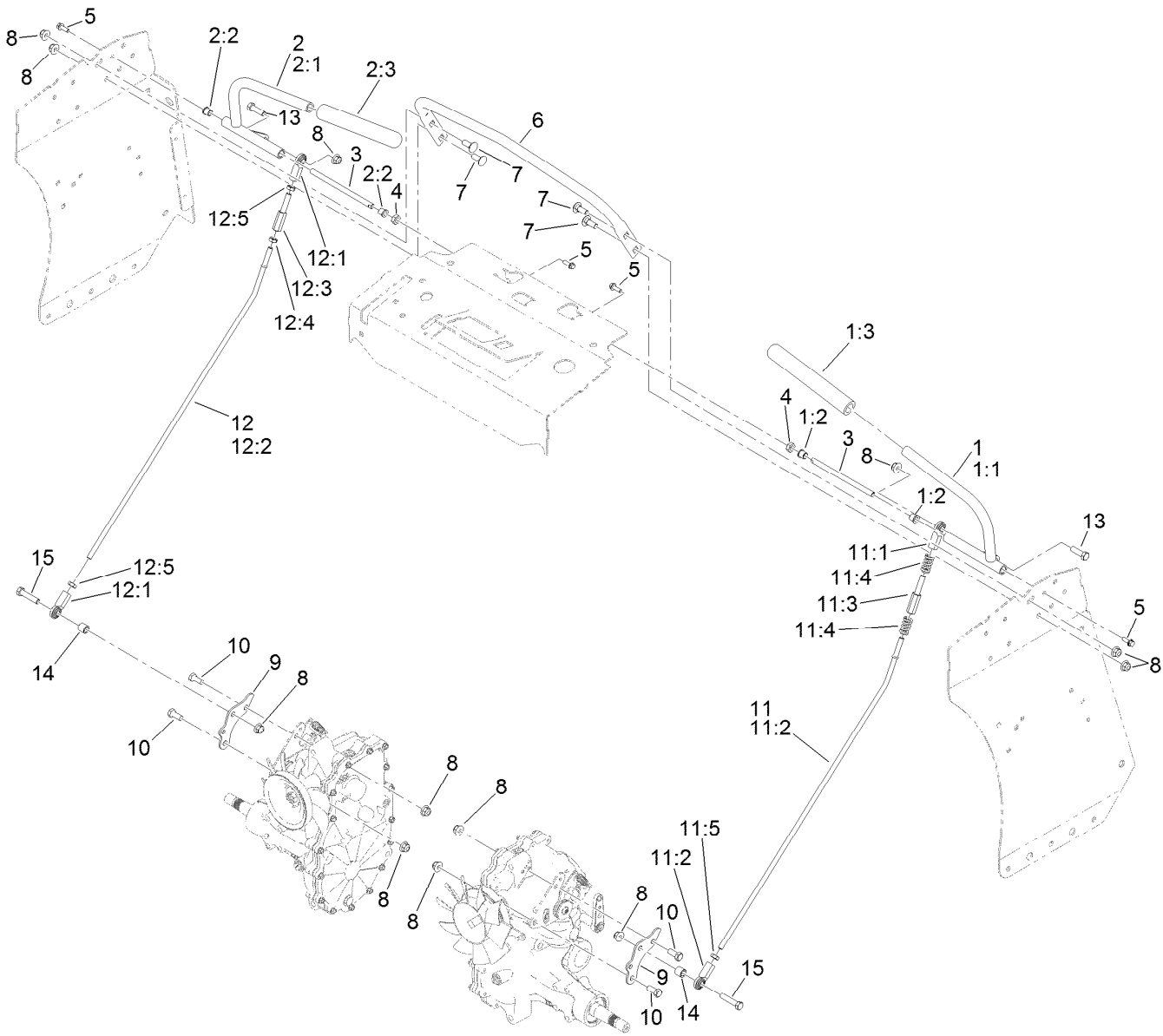
## Left Hand Tine Wheel Assembly No. 126-9550

<i>Ref.</i>	<i>Part Number</i>	<i>Qty.</i>	<i>Description</i>	<i>Ref.</i>	<i>Part Number</i>	<i>Qty.</i>	<i>Description</i>
1	135-2980	1	Tine Shaft ASM	11	126-9624	1	Sprocket ASM
2	135-2977	1	Keeper-Tine, Floating	12	126-9630	1	Driven Spyder ASM
4	126-9619	2	Washer-Thrust	13	135-0502	1	Washer-Spacer
5	126-9540	1	Floating Spyder ASM	14	135-1528	1	Nut-Lock
6	126-9715	1	Spacer-Tine	16	126-9704	1	Bearing-Round Bore
7	126-9625	1	Driven Spyder ASM	17	126-2143	18	Tine-Coring (3/4 Inch)
8	126-9705	1	Bearing-Hex Bore	18	323-7	18	Screw-HH
9	126-9822	2	Screw-HH	19	3296-59	18	Nut-Lock, NI
10	126-9780	2	Nut-Lock				



## Right Hand Tine Wheel Assembly No. 126-9551

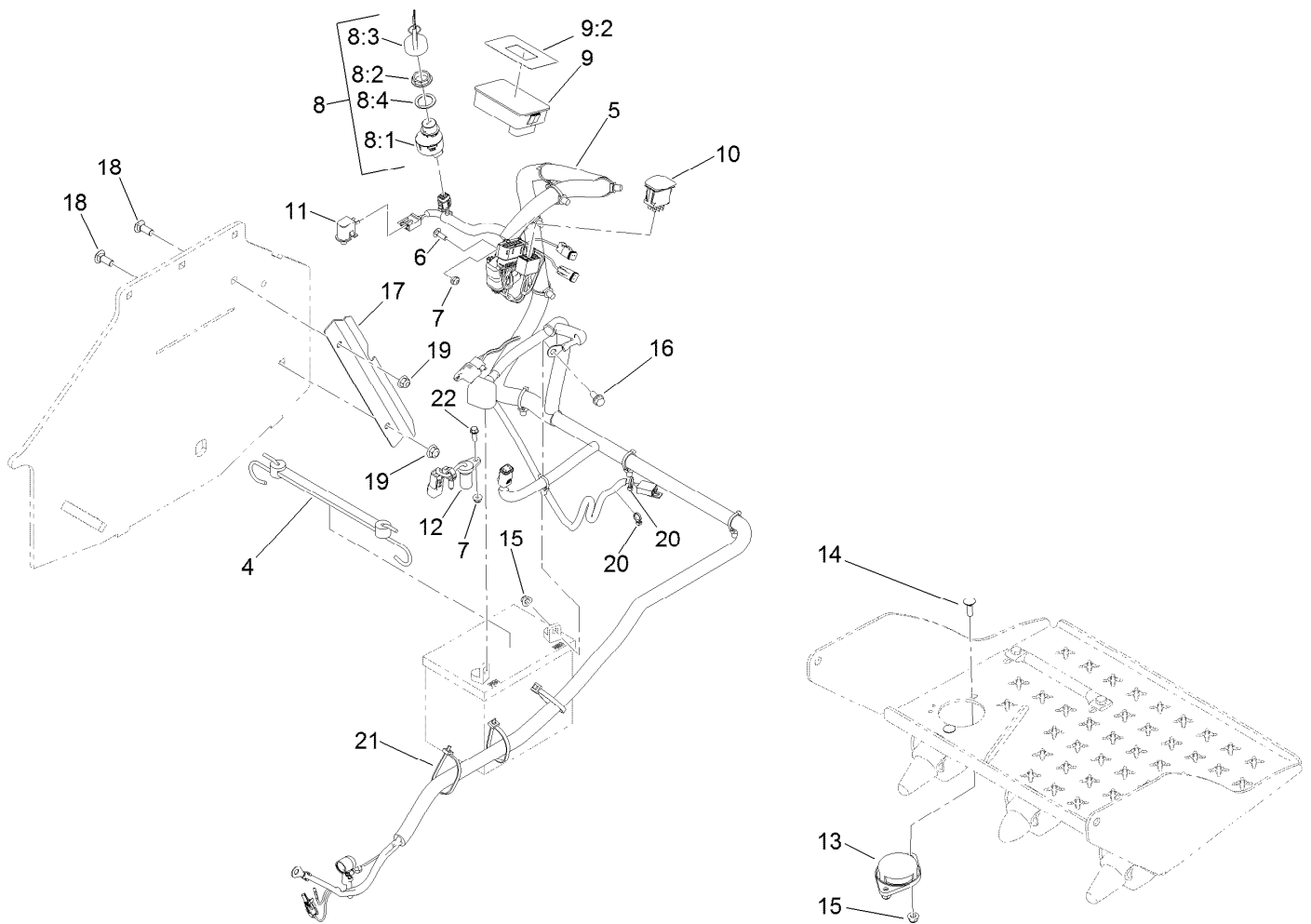
<i>Ref.</i>	<i>Part Number</i>	<i>Qty.</i>	<i>Description</i>	<i>Ref.</i>	<i>Part Number</i>	<i>Qty.</i>	<i>Description</i>
1	135-2980	1	Tine Shaft ASM	11	126-9624	1	Sprocket ASM
2	135-2977	1	Keeper-Tine, Floating	12	126-9630	1	Driven Spyder ASM
4	126-9619	2	Washer-Thrust	13	135-0502	1	Washer-Spacer
5	126-9540	1	Floating Spyder ASM	14	135-1528	1	Nut-Lock
6	126-9715	1	Spacer-Tine	16	126-9704	1	Bearing-Round Bore
7	126-9625	1	Driven Spyder ASM	17	126-2143	1	Tine-Coring (3/4 Inch)
8	126-9705	1	Bearing-Hex Bore	18	323-7	18	Screw-HH
9	126-9822	2	Screw-HH	19	3296-59	18	Nut-Lock, NI
10	126-9780	2	Nut-Lock				



## Motion Control Assembly

Ref.	Part Number	Qty.	Description	Ref.	Part Number	Qty.	Description
1		1	LH Motion Handle ASM ●	11		1	LH Motion Linkage ASM ●
1:1	135-1575-03	1	Handle-Control, LH	11:1	103-0608	2	Joint-Ball, End
1:2	103-9928	2	Bearing	11:2	135-1579	1	Linkage-Motion
1:3	103-8153	1	Grip-Lever, Control	11:3	116-4755	1	Rod-Adjustment
2		1	RH Motion Handle ASM ●	11:4	116-7560	2	Spring-Compression
2:1	135-1576-03	1	Handle-Control, RH	11:5	3220-3	1	Nut-HJ
2:2	103-9928	2	Bearing	12		1	RH Motion Linkage ASM ●
2:3	103-8153	1	Grip-Lever, Control	12:1	103-0608	2	Joint-Ball, End
3	116-4978	2	Shaft-Pivot, Motion Control	12:2	135-1579	1	Linkage-Motion
4	116-4198	2	Spacer-Shaft, Drive Lever	12:3	116-4755	1	Rod-Adjustment
5	117-8304	4	Screw-HHF	12:4	3220-16	1	Nut-Hex Jam, LH
6	135-1557-01	1	Bar-Reference	12:5	3220-3	2	Nut-HJ
7	3231-2	4	Bolt-CARR	13	323-7	2	Screw-HH
8	104-8301	12	Nut-HF, NI	14	126-9682	2	Spacer
9	135-0305	2	Arm-Motion	15	323-9	2	Screw-HH
10	323-5	4	Screw-HH				

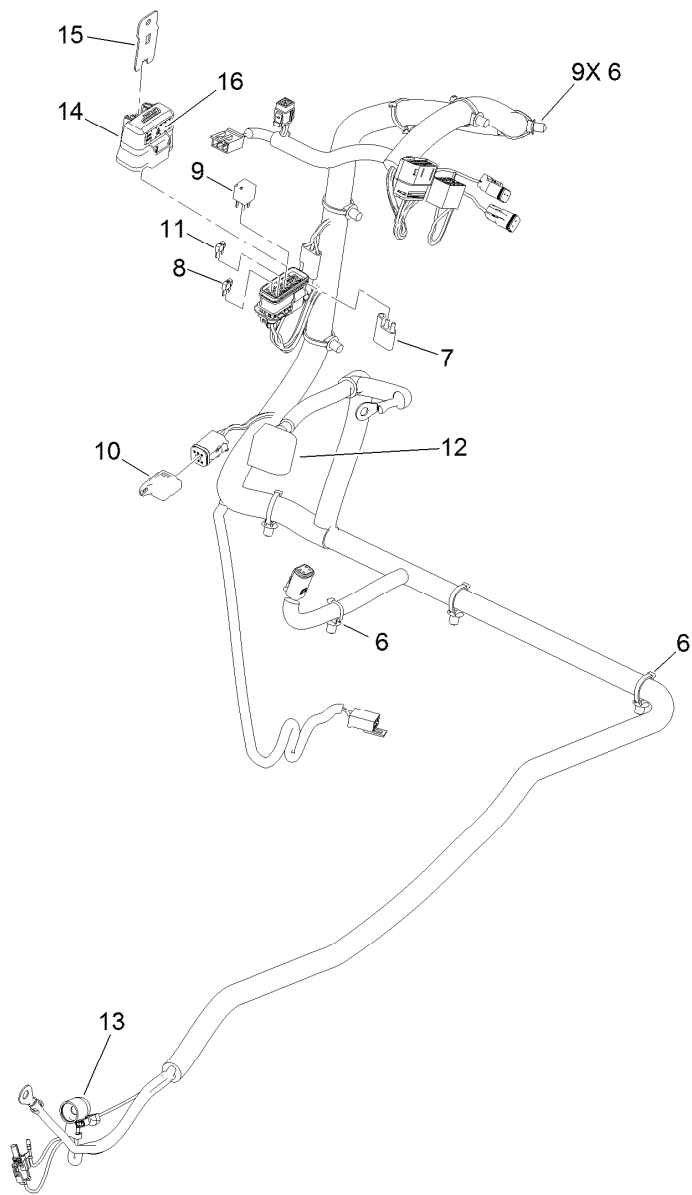
● Not serviced separately



## Electrical Assembly

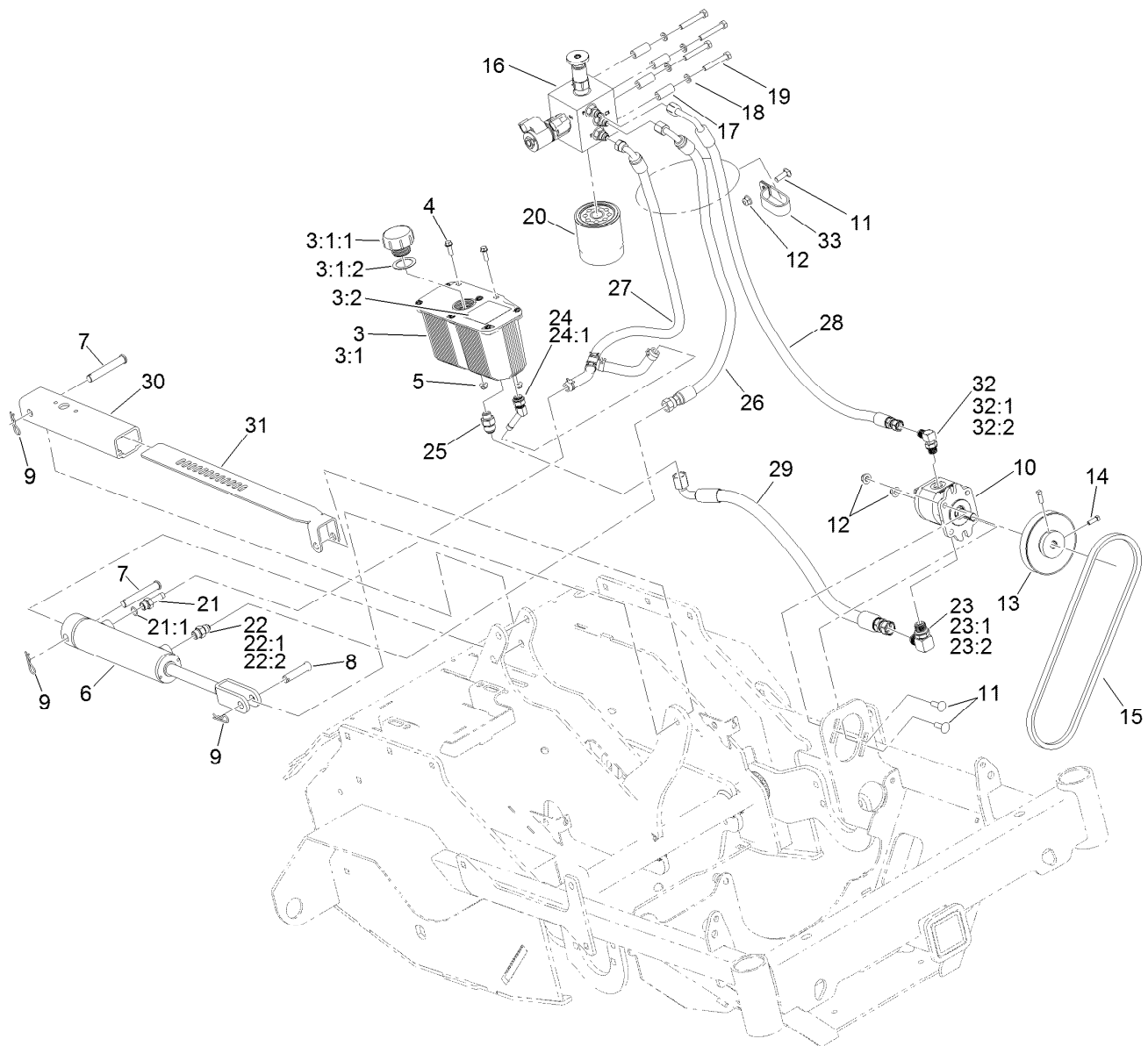
<i>Ref.</i>	<i>Part Number</i>	<i>Qty.</i>	<i>Description</i>	<i>Ref.</i>	<i>Part Number</i>	<i>Qty.</i>	<i>Description</i>
4	104-2466	1	Holddown-Battery	11	82-2190	1	Switch-Bail
5	126-9535	1	Harness-Wire	12	135-0101	1	Sensor-Quadrature
6	3229-1	1	Bolt-CARR	13	92-6282	1	Switch-Seat
7	104-7201	2	Nut-HF	14	3230-2	2	Bolt-CARR
8	126-6285	1	Ignition Switch ASM	15	104-8300	4	Nut-HF, NI
8:1		1	Switch-Ignition ●	16	3234-5	2	Screw-HHF
8:2	108-8660	1	Nut-Mounting	17	126-9701-03	1	Guard-Harness
8:3	106-5270	1	Ignition Key Set	18	3231-2	2	Bolt-CARR
8:4	108-8659	1	Washer-Backup	19	104-8301	2	Nut-HF, NI
9	135-2500	1	Hour Meter ASM	20	1-303287	2	Tie-Cable
9:2	135-1854	1	Decal-Meter, Hour	21	1-303335	3	Tie-Plastic
10	100-1535	1	Switch, (On)-Off-(On)	22	32105-15	1	Screw-HWH

● Not serviced separately



## Wire Harness Assembly No. 126-9535

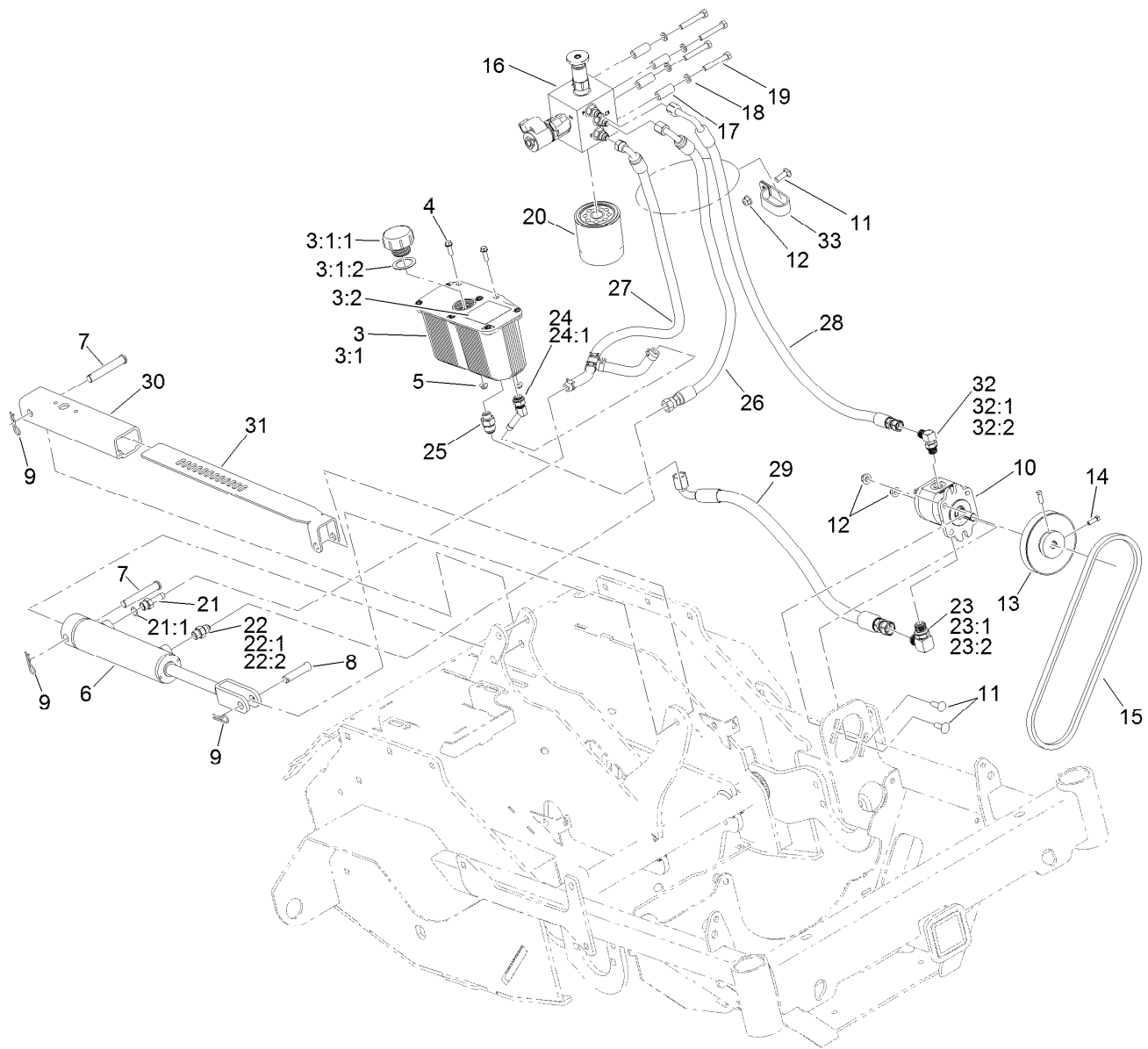
<i>Ref.</i>	<i>Part Number</i>	<i>Qty.</i>	<i>Description</i>
6	32180-030	9	Clip-Tie
7	32180-197	1	Cap-Plug
8	121-8868	1	Fuse-Mini Blade, 20 Amp
9	126-3991	1	Relay-Micro
10	32180-156	1	Cap-Plug, 6 Way
11	121-8867	1	Fuse-Mini Blade, 15 Amp
12	126-8876	1	Insulator-Battery
13	1-543393	1	Insulator-Solenoid
14	32180-176	1	Cover-Block, Fuse
15	32180-177	1	Clip-Mounting
16	126-7875	1	Decal-Fuse



## Auxiliary Hydraulic Assembly

Ref.	Part Number	Qty.	Description	Ref.	Part Number	Qty.	Description
3	116-2066	1	Reservoir ASM	17	103-0384	4	Spacer
3:1		1	Reservoir-HYD ●	18	3253-4	4	Washer-Lock
3:1:1	103-1948	1	Cap-Reservoir, HYD	19	322-10	4	Screw-HH
3:1:2	103-1949	1	Gasket-Cap	20	1-633750	1	Filter-Oil, HYD
3:2	115-4212	1	Decal-Warning	21	103-1912	1	Adapter-Straight
4	32105-15	2	Screw-HWH	21:1	237-42	1	O-Ring
5	104-7201	2	Nut-HF	22	103-2156	1	Fitting-Straight
6	126-9861	1	Cylinder-Hydraulic	22:1	1-603921	1	O-Ring
7	283-55	2	Pin-Clevis	22:2	103-1020	1	O-Ring
8	42195	1	Pin-Clevis	23	103-2153	1	Fitting-90 DEG
9	3290-467	3	Pin-Hair	23:1	1-603920	1	O-Ring
10	126-9796	1	Pump-Hydraulic	23:2	1-603992	1	O-Ring
11	3230-22	3	Screw-CARR	24	103-1807	1	Fitting-Barbed, 45 DEG
12	104-8300	3	Nut-HF, NI	24:1	237-42	1	O-Ring
13	116-6667	1	Pulley	25	126-9952	1	Fitting-STR
14	3241-6	2	Screw-SQH	26	126-9468	1	Hydraulic Hose ASM
15	126-9803	1	Belt-V	27	126-9469	1	Hydraulic Hose ASM
16	126-9321	1	Manifold ASM	28	126-9470	1	Hydraulic Hose ASM

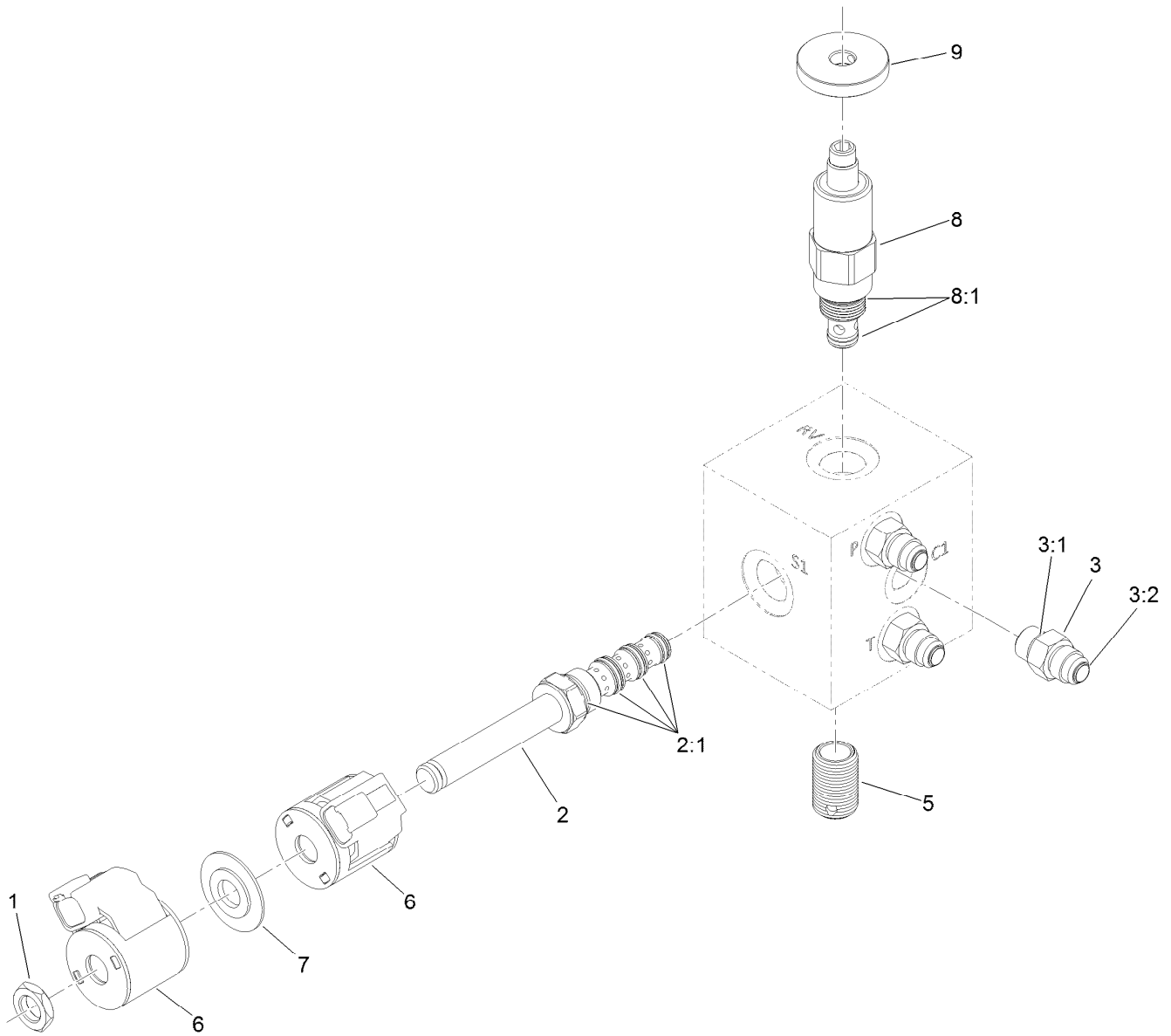
● Not serviced separately



## Auxiliary Hydraulic Assembly (continued)

<i>Ref.</i>	<i>Part Number</i>	<i>Qty.</i>	<i>Description</i>	<i>Ref.</i>	<i>Part Number</i>	<i>Qty.</i>	<i>Description</i>
29	126-9471	1	Hydraulic Hose ASM	32:1	1-603921	1	O-Ring
30	135-1224	1	Housing-Depth Control	32:2	103-1020	1	O-Ring
31	135-1385	1	Bracket-Depth Control	33	2412-137	1	Clamp-R, Double
32	103-2155	1	Fitting-90 DEG				

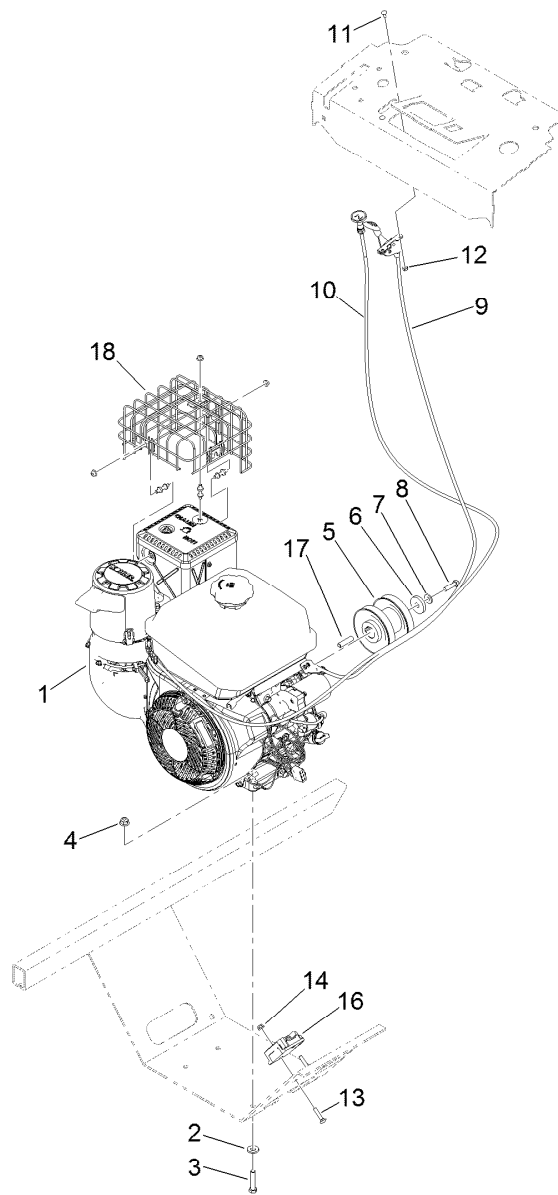
● Not serviced separately



## Manifold Assembly No. 126-9321

Ref.	Part Number	Qty.	Description
1	110-2634	1	Nut-Coil
2	126-9379	1	Valve-Solenoid
2:1	112-6520	1	Seal Kit
3	103-2156	3	Fitting-Straight
3:1	1-603921	1	O-Ring
3:2	103-1020	1	O-Ring
5	127-3885	1	Nipple-Filter
6	126-9383	2	Coil-Solenoid
7	120-2586	1	Spacer-Coil
8	135-1855	1	Valve-Relief, Poppet Type
8:1	126-9388	1	Seal Kit
9	116-9396	1	Knob (1.5 DIA)





## Engine Assembly

<i>Ref.</i>	<i>Part Number</i>	<i>Qty.</i>	<i>Description</i>	<i>Ref.</i>	<i>Part Number</i>	<i>Qty.</i>	<i>Description</i>
1	135-3981	1	Engine-Kohler, Ch440	10	135-2133	1	Cable-Choke, Push/Pull
2	98-5975	4	Washer-Belleville	11	1-807513	2	Bolt-CARR
3	323-9	4	Screw-HH	12	3296-2	2	Nut-Lock, NI
4	104-8301	4	Nut-HF, NI	13	3229-3	2	Screw-CARR
5	126-9142	1	Pulley	14	104-7201	2	Nut-HF
6	1-543610	1	Washer-Clutch	16	126-9904	1	Regulator
7	1-303334	1	Washer-Spring	17	135-3980	1	Key-Square, 7Mm
8	33114-030	1	Screw-HH	18	135-3366	1	Kit-Muffler Birdcage
9	109-3958	1	Control-Throttle				

**Notes:**

**Notes:**



**Count on it.**