



**Count on it.**

Form No. 3417-973 Rev C

**EN Power Plex™ 14in 40V MAX  
Chainsaw**

51880, 51880T

**ES Motosierra Power Plex™ 40 V  
MAX de 35 cm (14")**

51880, 51880T

**FR Tronçonneuse Power Plex™  
35 cm (14 po) 40 V MAX**

51880, 51880T





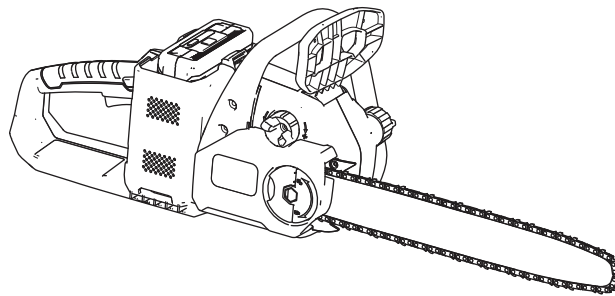
**Count on it.**

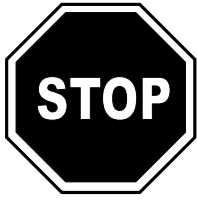
**Operator's Manual**

**PowerPlex™ 14in 40V MAX  
Chainsaw**

Model No. 51880—Serial No. 318000001 and Up

Model No. 51880T—Serial No. 318000001 and Up





If you have questions or problems, call toll free 1-855-340-7689 before returning this product.

**⚠ WARNING**

**CALIFORNIA  
Proposition 65 Warning**

**This product contains a chemical or chemicals known to the State of California to cause cancer, birth defects, or reproductive harm.**

## Introduction

This chain saw is designed for cutting tree branches, logs, and wooden beams of a diameter no longer than the cutting length of the guide bar. It is to be used only by adults. It is designed to use only battery pack Model 88540 (provided with Model 51880) or Model 88541.

Read this information carefully to learn how to operate and maintain your product properly and to avoid injury and product damage. You are responsible for operating the product properly and safely.

You may contact Toro directly at [www.Toro.com](http://www.Toro.com) for product and accessory information, help finding a dealer, complete warranty details, or to register your product.

**Model 51880T does not include a battery pack or a charger.**

## Safety

When using electric power tools, basic safety precautions should always be followed to reduce the risk of fire, electric shock, and personal injury, including the following:

**⚠ WARNING**

**Failure to follow all warnings and instructions may result in electric shock, fire and/or serious personal injury.**

**Read all safety warnings and all instructions.**

**Save all warnings and instructions for future reference.**

*The term “power tool” in all the warnings refers to your corded power tool or battery-operated (cordless) power tool.*

1. **Work area safety**
  - A. **Keep work area clean and well lit.** *Cluttered or dark areas invite accidents.*
  - B. **Do not operate power tools in explosive atmospheres, such as in the presence of flammable liquids, gasses, or dust.** *Power tools create sparks, which may ignite the dust or fumes.*
  - C. **Keep children and bystanders away while operating a power tool.** *Distractions can cause you to lose control.*
2. **Personal safety**
  - A. **Stay alert, watch what you are doing, and use common sense when operating a power tool. Do not use a power tool while you are tired or under the influence of drugs, alcohol, or medication.** *A moment of inattention while operating power tools could result in serious personal injury.*
  - B. **Use personal protective equipment. Always wear eye protection.** *Protective equipment such as a dust mask, non-skid safety shoes, hard hat, or hearing protection used for appropriate conditions reduces personal injuries.*
  - C. **Prevent unintentional starting. Ensure that the switch is in the OFF position before you connect the tool to a power source and/or battery pack, pick it up, or carry it.** *Carrying power tools with your finger on the switch or energizing power tools that have the switch on invites accidents.*
  - D. **Remove any adjusting key or wrench before turning the power tool on.** *A*

wrench or a key left attached to the power tool may result in personal injury.

- E. **Do not overreach. Keep proper footing and balance at all times.** *This enables better control of the power tool in unexpected situations.*
  - F. **Dress properly. Do not wear loose clothing or jewelry. Tie back and keep your hair, clothing, and gloves away from moving parts.** *Loose clothes, jewelry, or long hair can get caught in moving parts.*
  - G. **If devices are provided for the dust extraction and collection, ensure that these are connected and properly used.** *Using these devices can reduce dust-related hazards.*
  - H. **Keep your hands and feet away from the cutting area.**
3. **Power tool use and care**
- A. **Do not force the power tool. Use the correct power tool for your application.** *The correct power tool will do the job better and safer at the rate for which it was designed.*
  - B. **Do not use the power tool if the switch does not turn it on and off.** *Any power tool that cannot be controlled with the switch is dangerous and must be repaired.*
  - C. **Disconnect the plug from the power source and/or the battery pack from the power tool before adjusting it, changing accessories on it, or storing it.** *Such preventive safety measures reduce the risk of starting the power tool accidentally.*
  - D. **Store idle power tools out of the reach of children, and do not allow persons unfamiliar with the power tool or these instructions to operate the power tool.** *Power tools are dangerous in the hands of untrained users.*
  - E. **Store idle appliances indoors.** *When not in use, appliances should be stored indoors in a dry and high or locked-up place, out of the reach of children.*
  - F. **Maintain power tools. Check for misalignment or binding of moving parts, broken parts, and any other condition that may affect the operation of the power tools. If damaged, have the power tool repaired before use.** *Many accidents are caused by poorly maintained power tools.*
  - G. **Keep cutting tools sharp and clean.** *Properly maintained cutting tools with sharp*

*cutting edges are less likely to bind and are easier to control.*

- H. **Use the power tool, accessories, tool bits, etc. in accordance with these instructions and in the manner intended for the particular type of power tool, taking into account the working conditions and the work to be performed.** *Using the power tool for operations different from those intended could result in a hazardous situation.*
  - I. **Keep guards in place and in working order.**
  - J. **Use only replacement guide bars and chains specified by the manufacturer.** *Incorrect replacement guide bars and chains may cause chain breakage and/or kickback.*
  - K. **Follow the manufacturer's sharpening and maintenance instructions for the saw chain.** *Decreasing the depth gauge height can lead to increased kickback.*
4. **Chain Saw Safety**
- A. **Hold the power tool by insulated gripping surfaces only, because the saw chain may contact hidden wiring or its own cord.** *Saw chains contacting a live wire may make exposed metal parts of the power tool live and could give you an electric shock.*
  - B. **Wear safety glasses, hearing protection, and protective equipment for your head, hands, legs, and feet.** *Wearing adequate protective clothing reduces personal injury by flying debris or accidental contact with the saw chain.*
  - C. **Cutting trees can be hazardous and requires expertise.** *Do not use the chain saw to fell large trees that have a diameter greater than the length of the guide bar.*
  - D. **Do not operate a chain saw in a tree.** *Operating a chain saw while up in a tree may result in personal injury.*
  - E. **Always keep proper footing and operate the chain saw only when standing on a fixed, secure, and level surface.** *Slippery or unstable surfaces such as ladders may cause a loss of balance or control of the chain saw.*
  - F. **When cutting a limb that is under tension, be alert for spring back.** *When the tension in the wood fiber is released, the spring loaded limb may strike you and/or throw the chain saw out of control.*

- G. **Use extreme caution when cutting brush and saplings.** *The slender material may catch the saw chain and be whipped toward you or pull you off balance.*
  - H. **Carry the chain saw by the front handle with the chain saw switched off and away from your body. When transporting or storing the chain saw, always use the guide bar cover.** *Proper handling of the chain saw reduces the likelihood of accidental contact with the moving saw chain.*
  - I. **Follow the instructions for lubricating, chain tensioning, and changing accessories.** *Improperly tensioned or lubricated chain may either break or increase the chance for kickback.*
  - J. **Keep handles dry, clean, and free from oil and grease.** *Greasy, oily handles are slippery, causing loss of control.*
  - K. **Avoid kickback.** *Kickback may occur when the nose or tip of the guide bar touches an object, or when the wood pinches the saw chain while you are cutting. Tip contact may cause a sudden reverse reaction, kicking the guide bar up and back toward you; pinching the saw chain along the top of the guide bar may push the guide bar rapidly back toward you. Either of these reactions may cause you to lose control of the saw, which could result in a serious personal injury. You can avoid kickback by taking proper precautions as given below:*
    - **Use both hands whenever you operate the chain saw. Maintain a firm grip, with thumbs and fingers encircling the chain saw handles, with both hands on the saw, and with your body and arm in position that allows you to resist kickback forces.** *You can control kickback forces if proper precautions are taken. Do not let go of the chain saw!*
    - **Do not overreach and do not cut above shoulder height.** *This helps prevent unintended tip contact and enables better control of the chain saw in unexpected situations.*
- A. *Do not charge the power tool in rain or in wet locations.*
  - B. *Do not use a battery-operated power tool in the rain.*
  - C. *Use only the following type and size of battery(ies): Toro battery Model 88540 or 88541 and battery charger Model 88542.*
  - D. *Remove or disconnect the battery before servicing, cleaning, or removing material from the power tool.*
  - E. *Do not dispose of the battery in a fire; the cell may explode. Check with local codes for possible special disposal instructions.*
  - F. *Do not open or mutilate the battery. Released electrolyte is corrosive and may cause damage to the eyes or skin. It may be toxic if swallowed.*
  - G. *Do not open or mutilate the battery. Released electrolyte is flammable and can cause damage if exposed to fire.*
  - H. *Exercise care in handling batteries to prevent shorting the battery with conducting materials such as rings, bracelets, and keys. The battery or conductor may overheat and cause burns.*
  - I. *Charging time increases if the battery pack is not charged within the appropriate temperature range.*

**SAVE THESE INSTRUCTIONS**

**5. Service**

**Have your power tool serviced by a qualified repair person using only identical replacement parts.** *This ensures that the safety of the power tool is maintained.*

**6. Battery Safety**

# Safety and Instructional Decals



Safety decals and instructions are easily visible to the operator and are located near any area of potential danger. Replace any decal that is damaged or missing.

**WARNING** TO REDUCE THE RISK OF INJURY, USER MUST READ INSTRUCTION MANUAL. Do not expose to rain. Use only TORO PowerPlex battery. Contact of the guide bar tip with any object should be avoided. Tip contact can cause the guide bar to move suddenly upward and backward, which can cause serious injury. Always use two hands when operating the chain saw.

**AVERTISSEMENT** POUR RÉDUIRE LES RISQUES DE BLESSURES, LISEZ ATTENTIVEMENT LE MANUEL DE L'UTILISATEUR. Ne l'exposez pas à la pluie. Utilisez uniquement avec batterie TORO PowerPlex. Évitez tout contact de l'avant de la barre de guidage avec des objets. Ce contact peut faire remonter brusquement la barre de guidage et la repousser en arrière, et causer de graves blessures. Tenez toujours la tronçonneuse à deux mains lorsque vous l'utilisez.

BAR LENGTH: 14in / LONGUEUR DU GUIDE-CHAÎNE: 350mm  
 BAR / BARRE: 88580 SAW CHAIN / TRONÇONNEUSE : 88581  
 40V MAX\* DC CLASS 2C / CLASSE 2C

PATENT: www.ttcopats.com  
 THE TORO COMPANY  
 8111 Lyndale Avenue South  
 Bloomington, MN 55420-1196 USA

\*Battery manufacturer rating = 40V maximum & 36V rated. Actual voltage varies with load.  
 \*Tension indiquée par le fabricant de la batterie = 40 V max., 36 V nominale. La tension réelle varie en fonction de la charge.

Country of Origin: PRC  
 Pays d'origine: PRC

Model: 51880  
 Modèle:

Conforms to UL STD 60745-1 & 60745-2-13  
 Certified to CSA  
 Intertek  
 STD 60745-1 & 60745-2-13 3131666

136-2469

decal136-2469

**WARNING** TO REDUCE THE RISK OF INJURY, USER MUST READ INSTRUCTION MANUAL. Do not expose to rain. Use only TORO PowerPlex battery. Contact of the guide bar tip with any object should be avoided. Tip contact can cause the guide bar to move suddenly upward and backward, which can cause serious injury. Always use two hands when operating the chain saw.

**AVERTISSEMENT** POUR RÉDUIRE LES RISQUES DE BLESSURES, LISEZ ATTENTIVEMENT LE MANUEL DE L'UTILISATEUR. Ne l'exposez pas à la pluie. Utilisez uniquement avec batterie TORO PowerPlex. Évitez tout contact de l'avant de la barre de guidage avec des objets. Ce contact peut faire remonter brusquement la barre de guidage et la repousser en arrière, et causer de graves blessures. Tenez toujours la tronçonneuse à deux mains lorsque vous l'utilisez.

BAR LENGTH: 14in / LONGUEUR DU GUIDE-CHAÎNE: 350mm  
 BAR / BARRE: 88580 SAW CHAIN / TRONÇONNEUSE : 88581  
 40V MAX\* DC CLASS 2C / CLASSE 2C

PATENT: www.ttcopats.com  
 THE TORO COMPANY  
 8111 Lyndale Avenue South  
 Bloomington, MN 55420-1196 USA

\*Battery manufacturer rating = 40V maximum & 36V rated. Actual voltage varies with load.  
 \*Tension indiquée par le fabricant de la batterie = 40 V max., 36 V nominale. La tension réelle varie en fonction de la charge.

Country of Origin: PRC  
 Pays d'origine: PRC

Model: 51880T  
 Modèle:

Conforms to UL STD 60745-1 & 60745-2-13  
 Certified to CSA  
 Intertek  
 STD 60745-1 & 60745-2-13 3131666

136-2470

decal136-2470

**TORO**

LITHIUM-ION BATTERY CHARGER  
 CHARGEUR DE BATTERIE LITHIUM-ION  
 Input: 100-120V AC 50/60Hz Max 3.0A  
 Output: 41.8V MAX\* DC 2.5A

\*Battery manufacturer rating = 40V maximum & 36V nominal. Actual voltage varies with load.  
 \*Tension indiquée par le fabricant de la batterie = 40 V max., 36 V nominale. La tension réelle varie en fonction de la charge.

Backfeed Protection / Protection contre le retour d'énergie

**CAUTION** To reduce the risk of injury, user must read the instruction manual. Charge only TORO PowerPlex type rechargeable battery. Other types of batteries may burst causing personal injury and damage. Risk of electric shock. Do not expose to liquid, vapor, or rain. Do not interconnect output terminal. For indoor use only.

**ATTENTION** Pour réduire le risque de blessures, l'utilisateur doit lire le manuel d'utilisation. Utilisez uniquement pour les batteries rechargeables type TORO PowerPlex. D'autres types de batteries pourraient exploser et causer des blessures ou des dommages. Risque de décharge électrique. Ne pas exposer à des liquides, à la vapeur ou à la pluie. Ne pas interconnecter la borne de sortie. Pour usage intérieur uniquement.

Country of Origin: PRC / Pays d'origine: PRC

THE TORO COMPANY  
 8111 Lyndale Avenue South  
 Bloomington, MN 55420-1196 USA  
 PATENT: www.ttcopats.com

Model: 88542 SL  
 Modèle:

Serial Number:  
 Numéro de série:

Date Code:  
 Code de date:

Conforms to UL STD 1012  
 Certified to CSA  
 STD C22.2 No. 107.2-91  
 Intertek  
 3131666

BC  
 FC

136-2473

decal136-2473

**WARNING** To reduce the risk of injury, user must read the instruction manual. Use only with TORO PowerPlex battery charger. Wear eye protection. Do not short terminals. Do not throw into fire. Risk of fire, explosion and burns. Do not disassemble, crush, expose to heat or incinerate. Keep battery out of reach of children. To reduce risk of injury to persons, remove battery pack when not in use.

**AVERTISSEMENT** Pour réduire le risque de blessures, l'utilisateur doit lire le manuel d'utilisation. Utilisez uniquement avec chargeur de batterie TORO PowerPlex. Portez des lunettes de protection. Ne pas court-circuiter. Ne jetez pas au feu. Risque d'incendie, d'explosion et des brûlures. Ne pas démonter, écraser, exposer à une température au-dessus de 100°C. Conservez la batterie hors de portée des enfants. Pour réduire les risques de blessures corporelles, retirez l'ensemble batterie quand la machine ne sert pas.

TORO 40V MAX\* DC 90 Wh  
 Li-Ion Battery / Batterie au Lithium-ion

\*Battery manufacturer rating = 40V maximum & 36V nominal. Actual voltage varies with load.  
 \*Tension indiquée par le fabricant de la batterie = 40 V max., 36 V nominale. La tension réelle varie en fonction de la charge.

THE TORO COMPANY  
 8111 Lyndale Avenue South  
 Bloomington, MN 55420-1196 USA  
 PATENT: www.ttcopats.com

Model: 88540  
 Modèle:

Serial Number:  
 Numéro de série:

Date Code:  
 Code de date:

136-2471

Model 88540

decal136-2471



136-2475

decal136-2475

1. Read the *Operator's Manual*; wear hearing and eye protection; do not contact objects with the guide bar tip; tip contact can cause serious personal injury; always use 2 hands when operating the chain saw.

**POWERPLEX™ 40V<sup>MAX</sup> LITHIUM**

CHARGING PROCEDURE (LED INDICATOR) / PROCEDURE DE CHARGEMENT (VOYANT DEL)

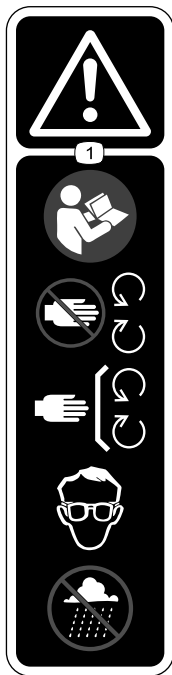
DO NOT REMOVE THIS DECAL / NE PAS RETIRER CET AUTOCOLLANT

1. [Battery icon with arrow] 2. [100% icon] 3. [Battery icon with lightning bolt] 4. [Battery icon with lightning bolt]

136-2476

decal136-2476

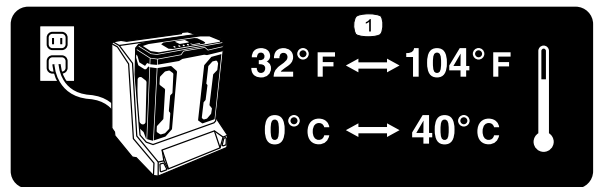
1. The battery pack is charging.
2. The battery pack is fully charged.
3. The battery pack is too warm.
4. Replace the battery pack.



136-2533

decal136-2533

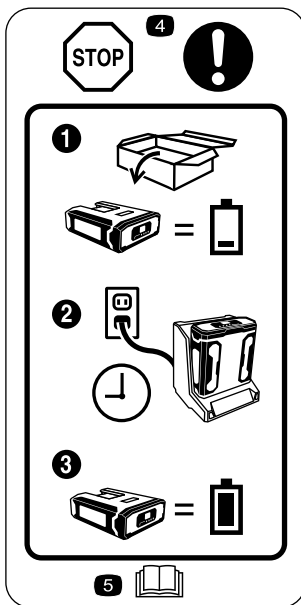
1. Warning—read the *Operator's Manual*; keep away from moving parts; keep all guards and covers in place; wear eye protection; do not operate in wet conditions.



136-2539

decal136-2539

1. Charge the battery where the temperature is between 0°C and 40°C (32°F and 104°F).



136-2534

decal136-2534

1. The battery does not come out of the box fully charged.
2. Place the battery in the battery charger.
3. Wait until the battery is fully charged before the first use.
4. Stop—follow these instructions before first use.
5. Read the *Operator's Manual*.

# Setup

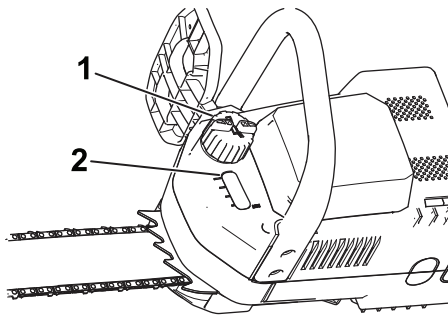
**Note:** The battery pack is not fully charged when you purchase it. Before using the tool for the first time, refer to [Charging the Battery Pack](#) (page 14).

## Filling the Chain Saw with Bar and Chain Oil

**Important:** Use only bar and chain oil (sold separately).

1. Place the chain saw on a level surface.
2. Clean the area around the oil cap ([Figure 1](#)).

**Note:** Make sure that you do not allow debris/wood chips to enter the oil tank.



**Figure 1**

g192110

1. Oil cap
2. Oil window

3. Remove the cap and pour oil into the chain saw until the oil fills the window ([Figure 1](#)).

Do not fill the chain saw higher than the bottom of the fill neck.

4. Clean up any spilled oil and replace the oil cap.

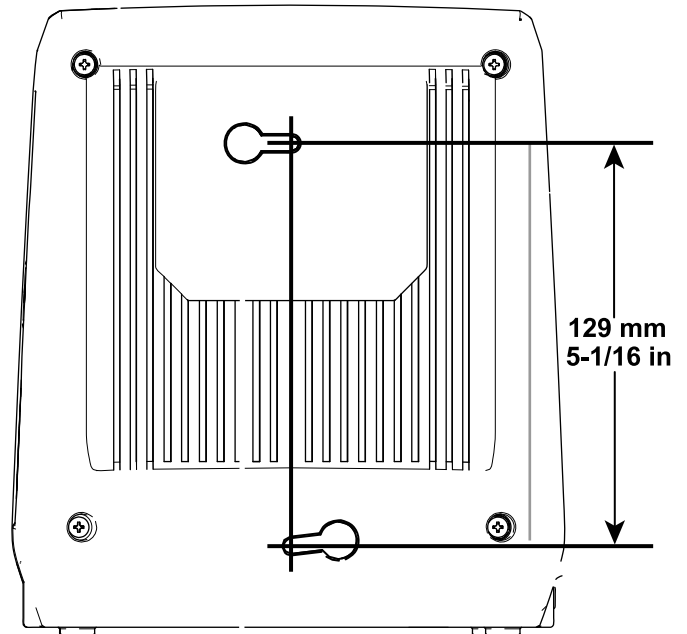
## Mounting the Battery Charger (Optional)

If desired, mount the battery charger securely on a wall using the wall-mount key holes on the back of the charger.

Mount it indoors (such as a garage or other dry place), near a power outlet, and out of the reach of children.

Refer to [Figure 2](#) for assistance in mounting the charger.

**Note:** Slide and twist the charger over the appropriately positioned hardware to secure the charger in place (hardware not included).

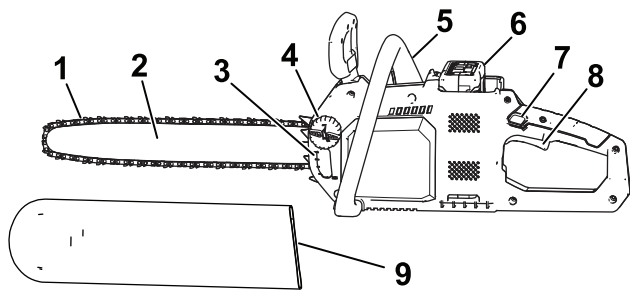


**Figure 2**

g194202



# Product Overview

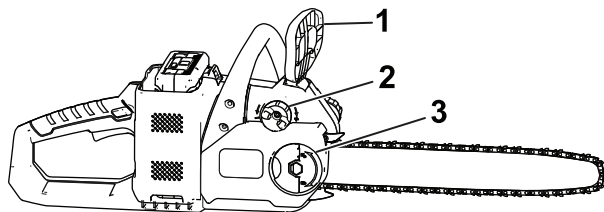


g192115

**Figure 3**

Left Side of Chain Saw

- |                 |                             |
|-----------------|-----------------------------|
| 1. Chain        | 6. Battery pack             |
| 2. Guide bar    | 7. Trigger lock             |
| 3. Oil window   | 8. Trigger (on rear handle) |
| 4. Oil cap      | 9. Guide bar cover          |
| 5. Front handle |                             |



g192114

**Figure 4**

Right Side of Chain Saw

- |                          |             |
|--------------------------|-------------|
| 1. Chain brake           | 3. Wing nut |
| 2. Chain tensioning knob |             |

# Specifications

## Appropriate Temperature Ranges

Charge the battery at	0°C (32°F) to 40°C (104°F)*
Use products at	-15°C (5°F) to 60°C (140°F)
Store products at	-15°C (5°F) to 60°C (140°F)
Unplug the charger if	Below 0°C (32°F) or above 40°C (104°F)

\*Charging time will increase if you do not charge the battery within this range.

Store the tool, battery pack, and battery charger in an enclosed clean, dry area.

# Operation

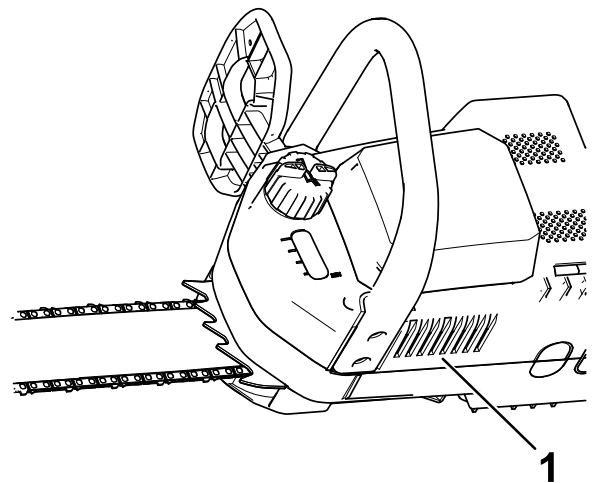
## Before Using the Chain Saw

Before using the chain saw, do the following:

- Check the chain tension; refer to [Adjusting the Chain Tension \(page 17\)](#).
- Clean and check the chain components for excessive wear or damage and replace them as needed; refer to [Servicing the Guide Bar, Chain, and Drive Sprocket \(page 17\)](#) and [Sharpening the Chain \(page 19\)](#).
- Check the oil level; refer to [Checking the Oil Level and Adding Bar and Chain Oil \(page 16\)](#).
- Check the chain brake; refer to [Checking the Chain Brake \(page 16\)](#).

## Starting the Chain Saw

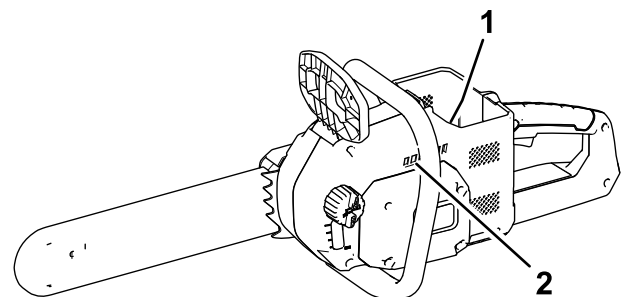
1. Make sure that the vents on the chain saw ([Figure 5](#) and [Figure 6](#)) are free from dust and debris.



g197204

**Figure 5**

1. Vent



g197205

**Figure 6**

1. Vent (inside the battery cavity)
2. Vent cavity

- Set the chain saw down on a level surface.
- Align the tongue of the battery pack with the battery cavity in the chain saw (Figure 7).

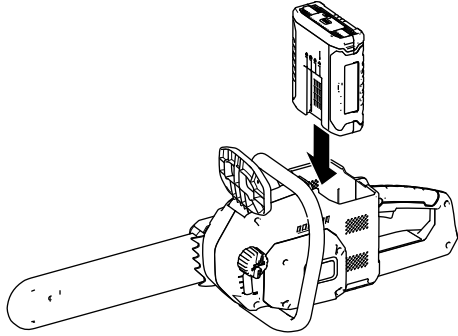


Figure 7

g228731

- Push the battery pack into the battery cavity until the battery pack locks into place.
- Remove the protective cover from the chain.
- Ensure that the chain brake is in the OPERATING position (Figure 8).

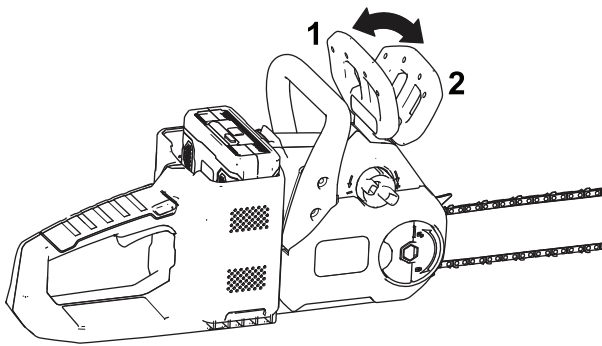


Figure 8

g192111

- Chain brake (OPERATING position)
- Chain brake (STOP position)

- With 1 hand on the front handle and the other on the rear handle, press the trigger lock, then squeeze the trigger (Figure 9).

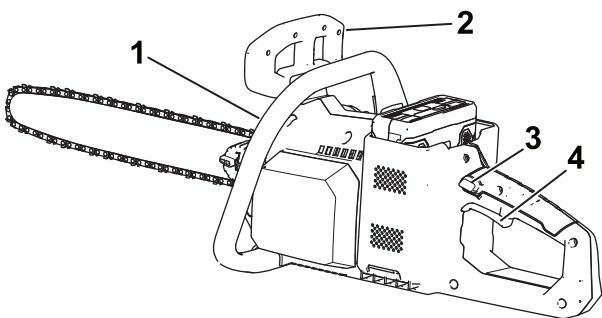


Figure 9

g192113

- Front handle
- Chain brake
- Trigger lock
- Trigger

## Shutting Off the Chain Saw

To shut off the chain saw, release the trigger.

Whenever you are not using the saw or are transporting the saw to or from the work area, move the chain brake to the STOP position (Figure 8) and remove the battery.

## Cutting with the Chain Saw

### ⚠ WARNING

Operating a chain saw improperly can cause serious personal injury or death.

Read and follow all operating instructions carefully to avoid possible personal injury.

### ⚠ WARNING

Kickback can cause serious or fatal injury to you.

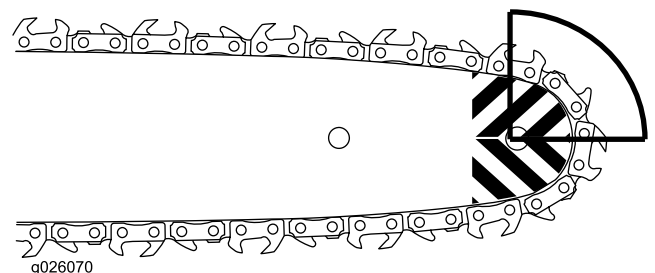
Always ensure that the chain brake system is working properly before you operate the chain saw.

Avoid touching objects to be cut with the tip of the chain saw.

There are 2 types of kickback:

- A fast **upward** motion of the chain saw that results when the chain at the nose or top of the bar contacts an object
- A fast **backward** motion of the chain saw that results when the chain at the nose or top of the bar is pinched by the object being cut

Figure 10 shows the area of the bar to avoid contacting an object to prevent kickback.



g026070

g026070

Figure 10

- Grip the chain saw with 2 hands, with your left hand on the front handle and your right hand on the rear handle as shown in Figure 11.

**Note:** Keeping your left arm straight with your elbow locked helps reduce kickback.

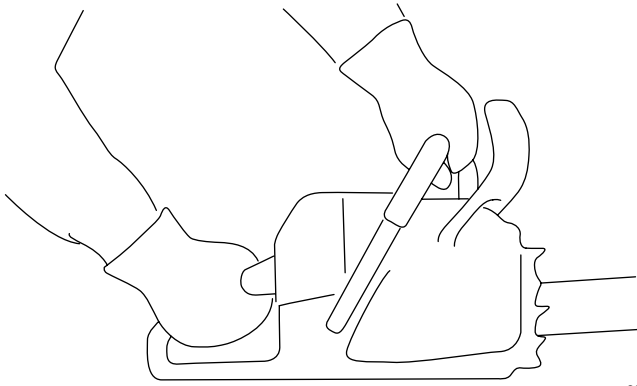


Figure 11

g204033

2. Stand to the left side of the chain saw and not in line with the chain, and position yourself for balanced, stable footing while sawing.
3. Stand on solid, even ground in front of the wood to be cut.
4. While cutting, have the wood near the chain saw head, at the exposed near end of the guide bar.

You can use the bucking teeth (Figure 12) to add pressure but it works best with a sharp-toothed chain.

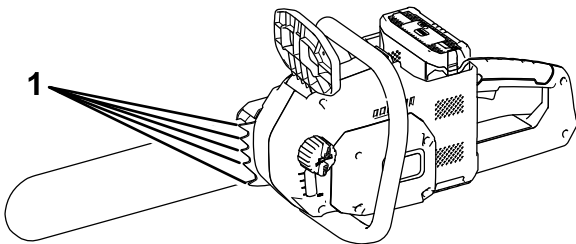


Figure 12

g200720

1. Bucking teeth

5. Press the chain saw lightly against the wood, allowing the weight of the chain saw to drive the cutting.
6. Keep steady pressure on the chain saw throughout the cut, and release pressure only near the end of the cut.

## Pruning a Tree

### ⚠ WARNING

Cutting higher limbs from a tree off the ground can put you in an unstable position that could be unsafe for you while handling a chain saw, resulting in possible serious personal injury or death to you or bystanders.

When cutting limbs from a standing tree, use the following practices:

- Do not climb on limbs or branches with a chain saw.
- Do not overreach, and cut with both hands on the chain saw.
- Ensure that all bystanders are away from the area where branches may fall.

1. Grip the chain saw as shown in Figure 11.
2. While cutting small branches, apply light pressure to the branch to be cut.
3. While cutting larger branches, make a shallow undercut and then complete the cut from the topside of the branch.
  - A. Cut from the underside of the limb about 15 cm (6 inches) from the trunk. Cut a third of the way through the limb.
  - B. Cut 5.0 to 10.0 cm (2 to 4 inches) farther out on the limb and from above. Cut the limb until it falls.
  - C. Cut about a third of the diameter of the limb stub from underneath as close to the trunk as possible.
  - D. Cut the limb stub from above so that it meets the previous cut as close to the trunk as possible.

## Felling a Tree

### ⚠ WARNING

Cutting standing trees requires expertise and poses hazards.

- Before attempting to cut a big tree, practice cutting a few branches, limbs, or small logs to familiarize yourself with the chain saw.
- Do not use this chain saw to fell large trees with a diameter larger than the length of the guide bar.

The proper operator stance for felling a tree is shown in Figure 13.

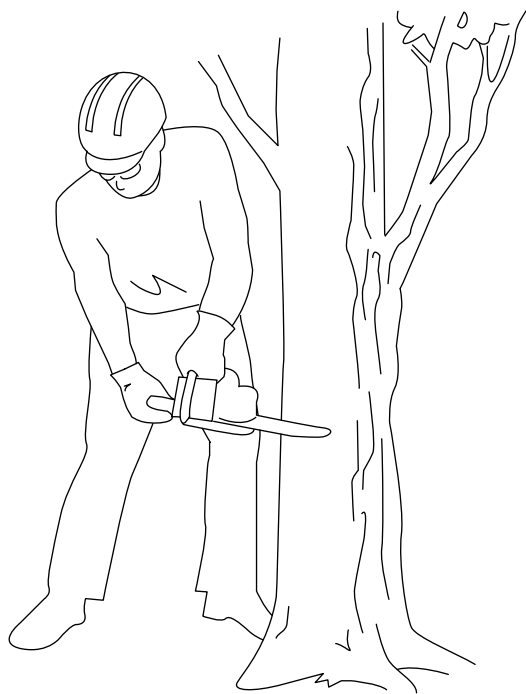
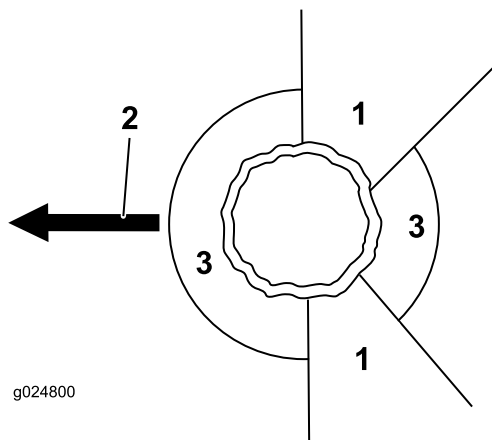


Figure 13

g195831

1. Determine the direction that the tree will fall. Consider the wind direction, if there are heavier limbs on 1 side of the tree, and the natural tilt of the tree, if any.
2. Determine a clear, safe retreat path away from the danger area; refer to Figure 14.



g024800

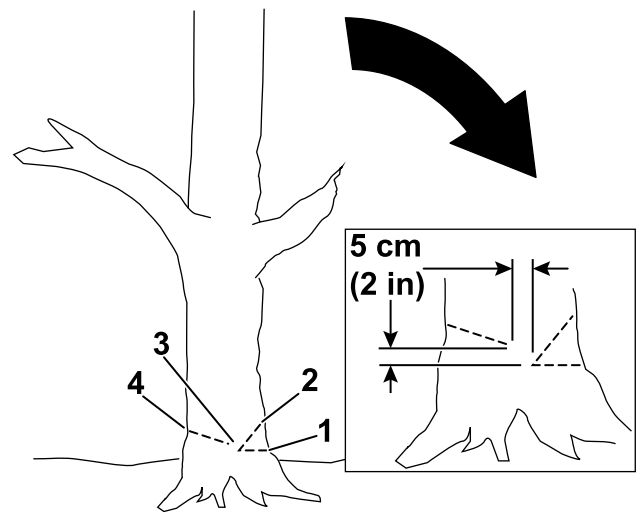
Figure 14

g024800

1. Retreat path
2. 45 degree angle
3. Danger area

3. Grip the chain saw as shown in (Figure 11).
4. Make the first cut a third of the way through the tree diameter on the side where you want the tree to fall (Figure 15).

**Note:** Making this cut prevents the chain saw from being pinched while making the next cut.



g228707

Figure 15

1. First cut
2. Second cut
3. Hinge
4. Back cut

5. Make a second cut to form a notch, starting the cut at least 5 cm (2 inches) above and away from the first cut (Figure 15).
6. Make the back cut from the opposite side of the notch and about 5 cm (2 inches) higher than the bottom of the notch as shown in Figure 15.

**Important:** Stop the third cut 2.5 to 5.0 cm (1 to 2 inches) from the notch to form a hinge between the cuts (Figure 15), which keeps the tree from falling in the wrong direction or twisting as it falls.

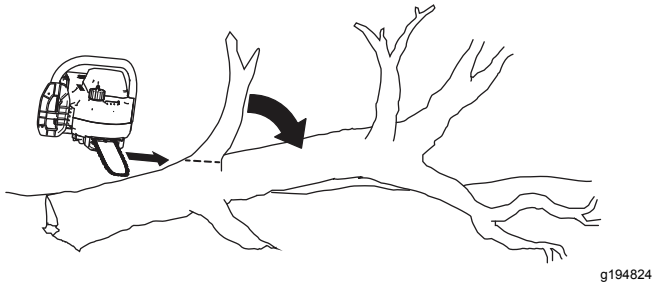
**Note:** As the back cut nears the hinge (Figure 15), the tree should begin to fall.

7. When the tree begins to fall, remove the chain saw, shut it off, put it down, and retreat along the path you determined in step 2.

**Important:** If the tree begins to fall in an undesired direction, immediately stop the cut, shut off the chain saw, put the chain saw down, and use a wedge to open the cut and push the tree in the desired direction.

# Limbing a Fallen Tree

1. Grip the chain saw as shown in [Figure 11](#).
2. Cut off the smaller limbs from the tree that are not supporting its weight off the ground.

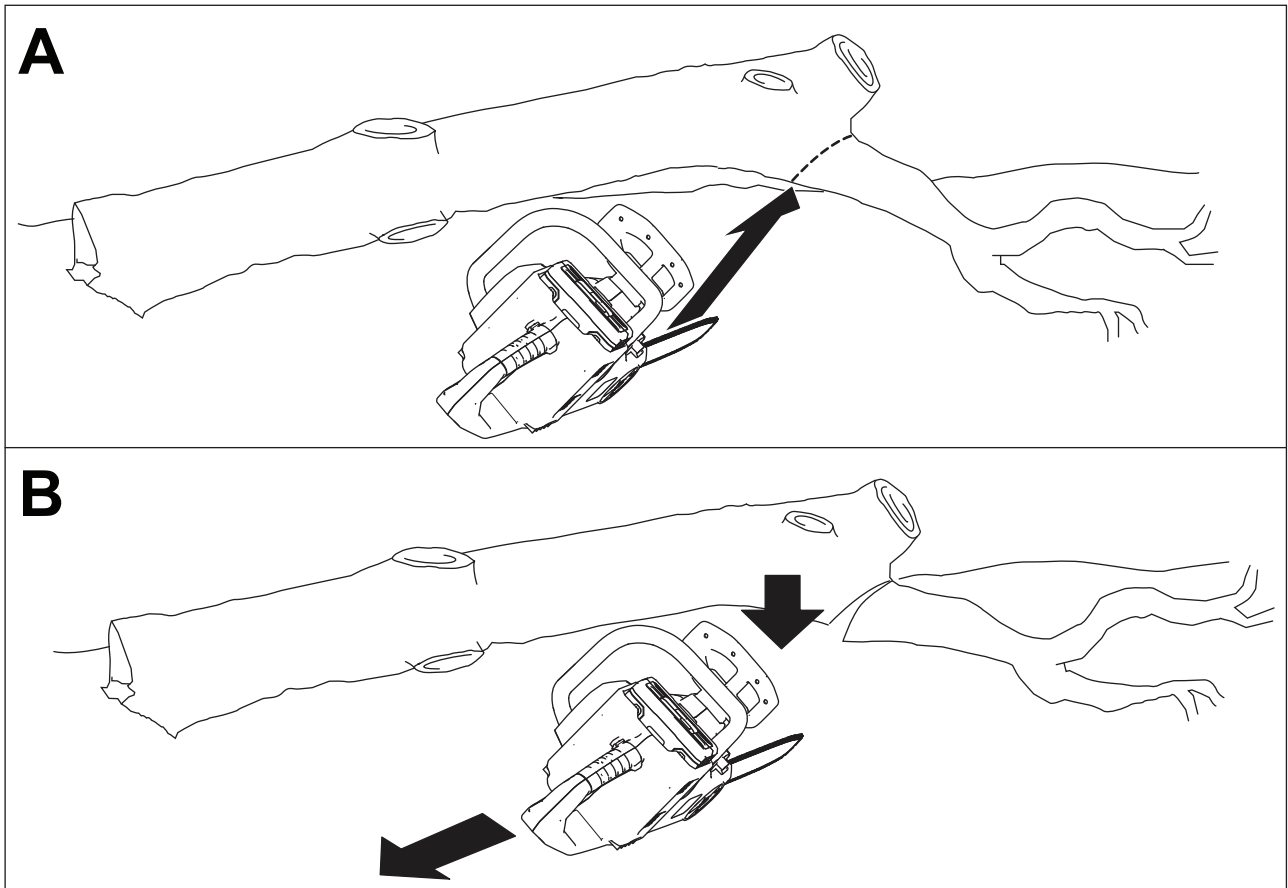


**Figure 16**



**Figure 17**

3. Cut the larger limbs that support the weight of the tree from the bottom upward so that the limbs do not pinch the saw blade ([Figure 18](#)).



**Figure 18**

# Bucking a Log

- If you are cutting branches from a fallen tree or cutting a log into lengths, support the log off the ground (preferably on a sawbuck); refer to [Figure 19](#).

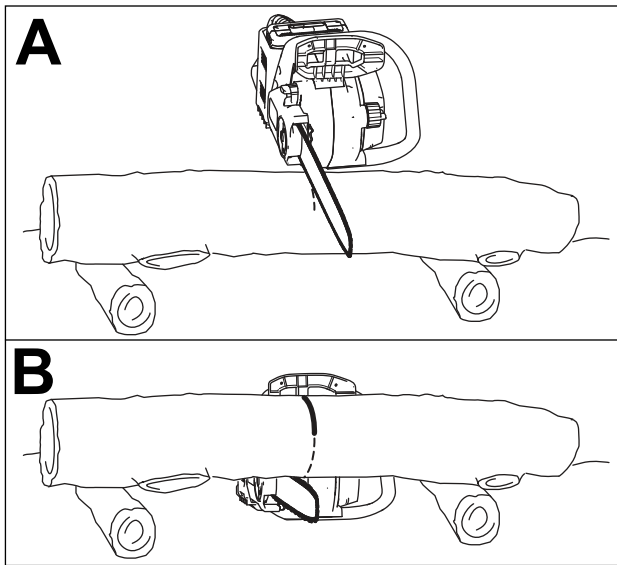


Figure 19

g194820

- If the log is supported on an end, cut from the top. If the chain saw binds in the cut, do not attempt to free it by running the motor. Shut off the saw, then use a wedge to pry open the cut and release the saw.
- If the log is supported on both ends, start from the top and cut about a third of the way through the log ([Figure 19A](#)). Make a second cut from the underside to meet the first cut ([Figure 19B](#)). This keeps the log from pinching the saw.
- If the log is supported along its entire length, cut all the way through the log from the top.
- If the log is supported on both ends but not in the middle, cut a third of the diameter from the top, then either cut from the bottom or roll the log over to meet the first cut ([Figure 20](#)).

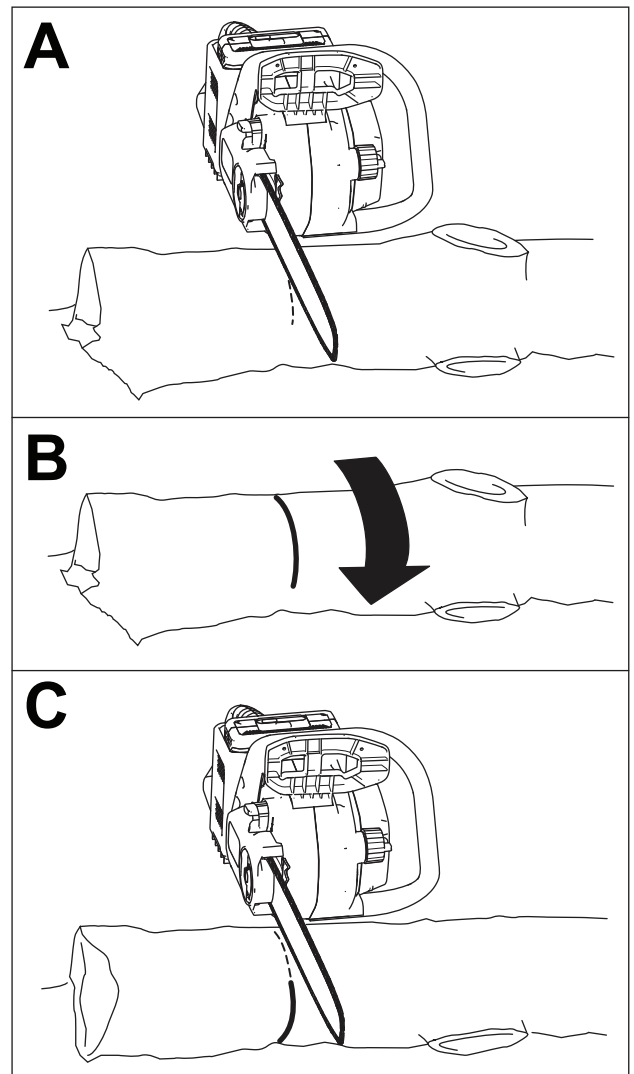
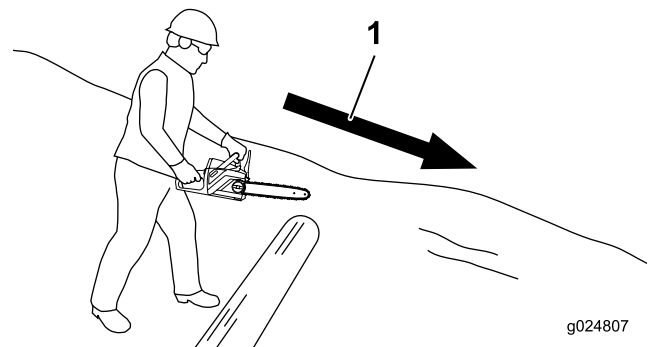


Figure 20

g194819

- If the log is on a hill, always stand on the uphill side of the log ([Figure 21](#)).



g024807

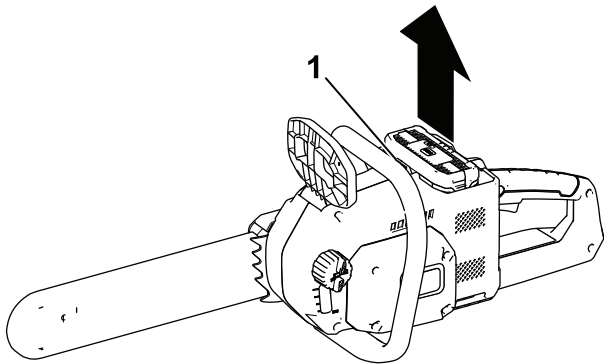
Figure 21

g024807

1. Direction of slope

# Removing the Battery Pack

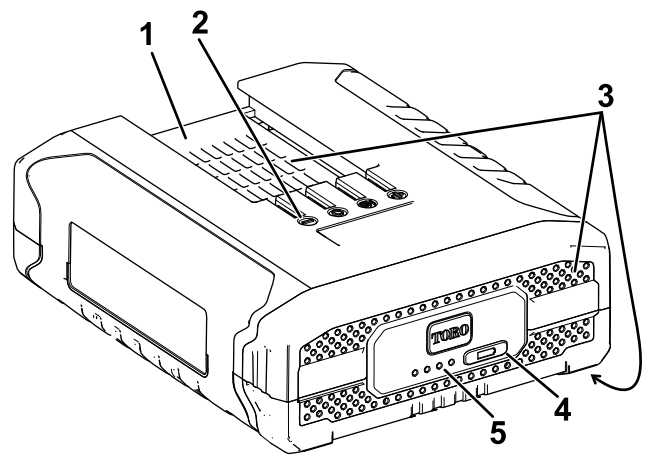
1. Place the chain saw on a flat surface.
2. Press down on the latch and remove the battery pack from the cavity.



**Figure 22**

g192109

1. Latch



g228487

**Figure 23**

1. Battery pack cavity
2. Battery pack terminals
3. Battery pack venting areas
4. Battery-charge-indicator button
5. LED indicators (current charge)

# Charging the Battery Pack

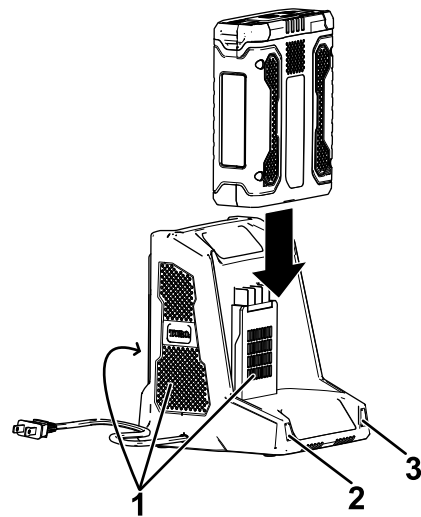
**Important:** Read all safety precautions.

**Important:** Charge the battery pack only in temperatures that are within the appropriate range; refer to [Specifications \(page 8\)](#).

**Note:** At any time, press the battery-charge-indicator button on the battery pack to display the current charge (LED indicators).

1. Make sure that the vents on the battery pack are clear of any dust and debris.
2. Line up the cavity in the battery pack ([Figure 23](#)) with the tongue on the charger.

3. Make sure that the vents on the battery charger are clear of any dust and debris.
4. Slide the battery pack into the charger until it is fully seated ([Figure 24](#)).



g194423

**Figure 24**

1. Charger venting areas
2. Left indicator light
3. Right indicator light

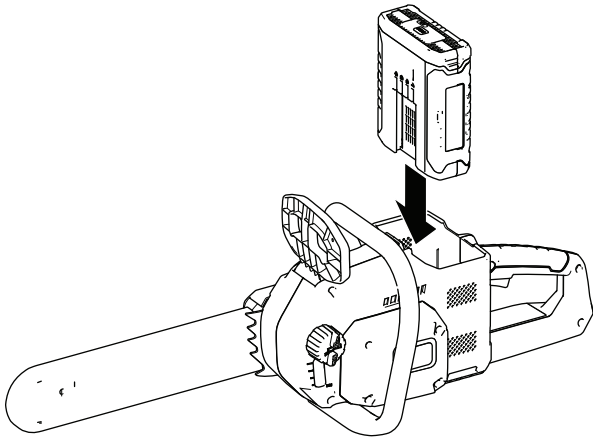
5. To remove the battery pack, slide the battery backward out of the charger.
6. Refer to the following table to interpret the LED indicators on the battery charger.



Left Light	Right Light	Indicates:
Off	Red	Charger is on; no battery pack inserted
Red	Red	Battery pack is charging
Green	Red	Battery pack is charged
Orange	Red	Battery pack is too warm
Red Blinking	Red	Replace the battery pack

## Installing the Battery Pack

1. Set the chain saw down on a level surface.
2. Align the tongue of the battery pack with the battery cavity in the chain saw ([Figure 25](#)).



**Figure 25**

g192108

- 
3. Push the battery pack into the battery cavity until the battery pack locks into place.



# Maintenance

## Recommended Maintenance Schedule(s)

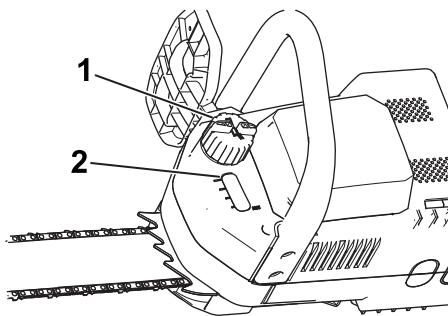
Maintenance Service Interval	Maintenance Procedure
Before each use or daily	<ul style="list-style-type: none"> <li>• Check the oil level and add bar and chain oil if necessary.</li> <li>• Check the chain brake.</li> <li>• Check the chain tension and adjust it if necessary.</li> <li>• Check the chain for sharpness; contact an Authorized Service Dealer to have the chain sharpened or replaced.</li> </ul>
After each battery drain cycle	<ul style="list-style-type: none"> <li>• Check the oil level and add bar and chain oil if necessary.</li> <li>• Check the chain brake.</li> <li>• Check the chain tension and adjust it if necessary.</li> </ul>
Yearly or before storage	<ul style="list-style-type: none"> <li>• Service the guide bar, chain, and drive sprocket.</li> <li>• Check the chain for sharpness; contact an Authorized Service Dealer to have the chain sharpened or replaced.</li> </ul>

### Checking the Oil Level and Adding Bar and Chain Oil

**Service Interval:** Before each use or daily

After each battery drain cycle

1. Place the chain saw on a flat surface and remove the battery pack; refer to [Removing the Battery Pack \(page 14\)](#).
2. Check the oil level in the window. If you cannot see oil in the window, add bar and chain oil to the chain saw ([Figure 26](#)).



**Figure 26**

g192110

1. Oil cap
2. Window

3. Clean the area around the oil cap ([Figure 26](#)).
 

**Note:** Make sure that you do not allow debris/wood chips to enter the oil tank.
4. Remove the cap and pour oil into the chain saw until the oil fills the window ([Figure 26](#)).
 

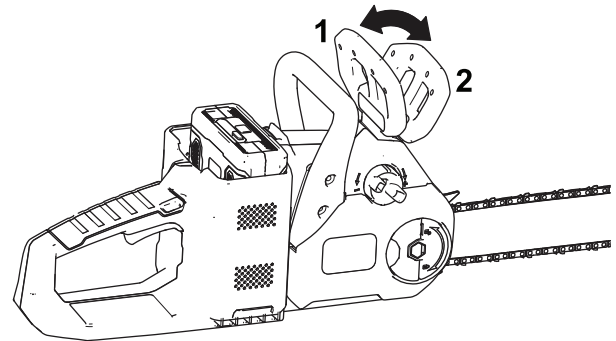
**Note:** Do not fill the chain saw higher than the bottom of the fill neck.
5. Clean up any spilled oil and replace the oil cap.

### Checking the Chain Brake

**Service Interval:** Before each use or daily

After each battery drain cycle

1. Place the chain saw on a flat surface and remove the battery pack; refer to [Removing the Battery Pack \(page 14\)](#).
2. Engage the chain brake by moving the chain brake forward to the STOP position ([Figure 27](#)).



**Figure 27**

g192111

1. Chain brake (OPERATING position)
2. Chain brake (STOP position)

3. Grip the chain with a gloved hand and attempt to pull it around the guide bar; the chain should not move around the guide bar. If it does, take the chain saw to an Authorized Service Dealer for repair.
4. Disengage the chain brake by moving the chain brake rearward to the OPERATING position ([Figure 27](#)).
5. Grip the chain with a gloved hand and attempt to pull it around the guide bar; the chain should

move around the guide bar. If it does not, take the chain saw to an Authorized Service Dealer for repair.

## Adjusting the Chain Tension

**Service Interval:** Before each use or daily  
After each battery drain cycle

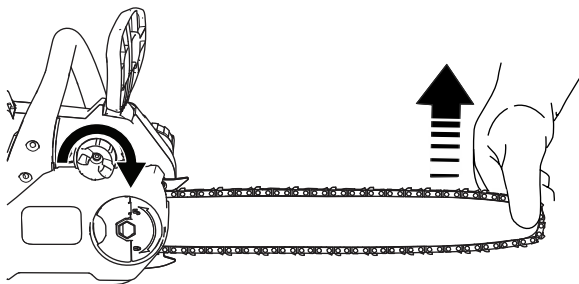
Ensure that the chain is properly tensioned. A loose chain will shorten the life of the drive sprocket and the guide bar and may break the chain. An overtightened chain will overheat the guide bar and chain, causing rapid wear and possible motor burnout. Also, check the chain tension after a few cuts. A new chain usually stretches and requires adjustment after its first use.

The chain tension is correct when you are able to use a gloved hand to pull the chain smoothly around the guide bar. The chain should remain in contact with the bottom edge of the guide bar.

### **⚠ DANGER**

**Contact with the chain saw teeth can cause serious personal injury.**

- **Remove the battery pack before adjusting or maintaining the chain saw.**
  - **Always wear gloves when adjusting or maintaining the chain saw.**
1. Place the chain saw on a level surface and remove the battery pack; refer to [Removing the Battery Pack \(page 14\)](#).
  2. Unfold the wing-nut tab and loosen, but do not remove the wing nut on the cover ([Figure 27](#)).
  3. Hold up the tip of the guide bar ([Figure 28](#)).



**Figure 28**

g192117

Adjust the chain until the chain touches the bottom edge of the guide bar, then tighten the knob an additional 1/8 to 1/4 turn.

5. Tighten the wing nut until it is snug and fold the wing-nut tab ([Figure 29](#)).
6. Check the chain tension; if the chain is loose, repeat this procedure.

## Servicing the Guide Bar, Chain, and Drive Sprocket

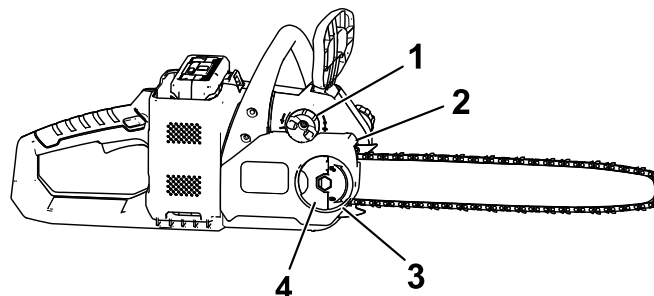
**Service Interval:** Yearly or before storage

### **⚠ DANGER**

**Contact with the chain saw teeth can cause serious personal injury.**

- **Remove the battery pack before adjusting or maintaining the chain saw.**
- **Always wear gloves when adjusting or maintaining the chain saw.**

1. Place the chain saw on a flat surface and remove the battery pack; refer to [Removing the Battery Pack \(page 14\)](#).
2. Unfold the wing-nut tab and remove the wing nut that secures the cover ([Figure 29](#)).



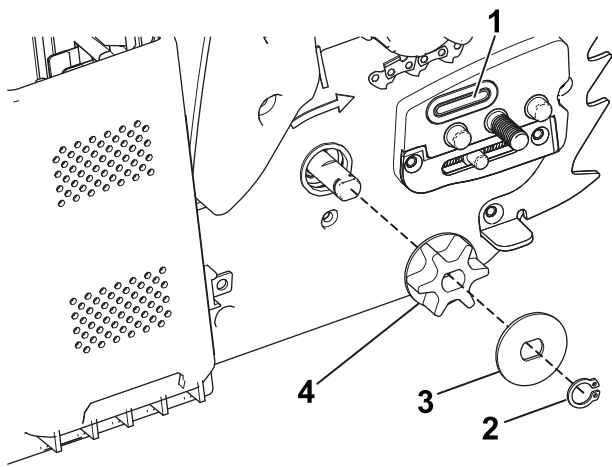
**Figure 29**

g228710

- |                          |                 |
|--------------------------|-----------------|
| 1. Chain tensioning knob | 3. Wing nut     |
| 2. Cover                 | 4. Wing-nut tab |

3. Loosen the chain by turning the chain-tightening screw counterclockwise ([Figure 29](#)).
4. Separate the chain from the guide bar and set them aside.
5. Remove the clip, spacer, and drive sprocket from the chain saw ([Figure 30](#)).

4. Adjust the chain.
  - **To tighten the chain**, turn the chain tensioning knob clockwise.
  - **To loosen the chain**, turn the chain tensioning knob counterclockwise



**Figure 30**

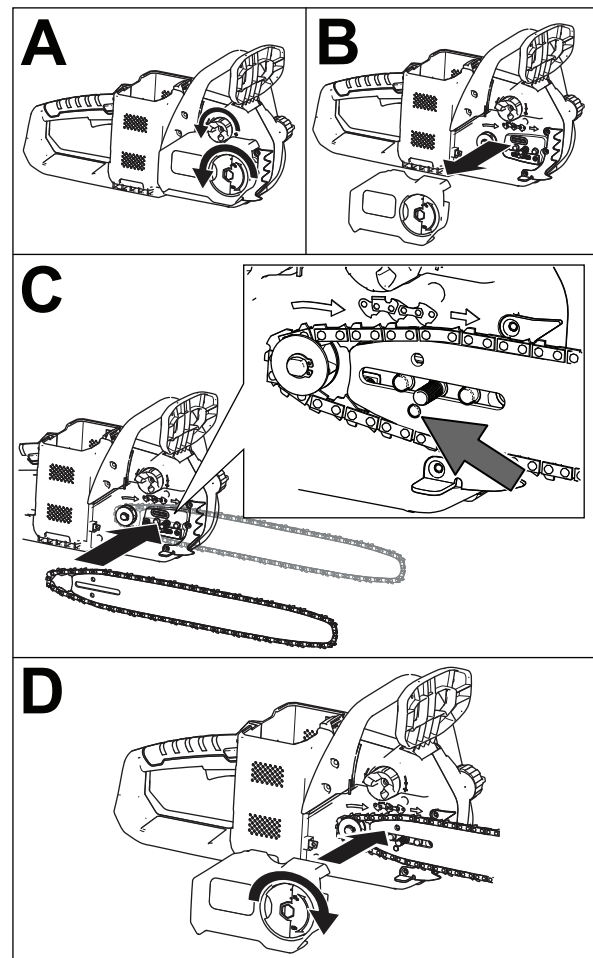
g192116

- |                |                   |
|----------------|-------------------|
| 1. Oil passage | 3. Spacer         |
| 2. Clip        | 4. Drive sprocket |

6. Inspect the drive sprocket; if it is excessively worn or damaged, replace it.
7. Check the oil passage (Figure 30) for debris and clean the area if necessary.
8. Install the drive sprocket, spacer, and clip.
9. Clean the guide bar and chain; use a wire or a small flat-head screwdriver to remove dirt and debris from the groove along the edge of the guide bar, starting from the sprocket on the front end and moving rearward.

If the guide bar or grooves are damaged or the sprocket on the front end does not rotate freely, replace the guide bar; if the chain is excessively worn or damaged, replace it.

10. Place the chain around the drive sprocket on the front end of the guide bar, **with the cutting edge of the chain teeth on the top of the bar facing forward** as shown in the diagram on the side of the chain saw (Figure 31C).



**Figure 31**

g192112

11. Feed the chain around the guide bar and align the chain teeth into the groove of the bar.
12. Position the open loop of the chain (not on the guide bar) around the drive sprocket on the chain saw and install the guide bar and attached chain onto the chain saw as shown in Figure 31.

**Important:** Ensure that the chain adjusting stud is inserted into the hole indicated by the arrow in Figure 31C. You may need to rotate the chain tensioning knob to fit the stud into the hole in the guide bar.

13. Install the cover and the wing nut, but do not fully tighten the wing nut (Figure 31D). Fold the wing-nut tab.
14. Adjust the chain tension; refer to [Adjusting the Chain Tension](#) (page 17).

# Sharpening the Chain

**Service Interval:** Before each use or daily  
Yearly or before storage

The chain needs sharpening or replacement when you must force it onto the wood or it produces smaller chips than when it was new.

Contact an Authorized Service Dealer to have the chain sharpened or replaced.

# Preparing the Battery Pack for Recycling

**Important:** Upon removal, cover the terminals of the battery pack with heavy-duty adhesive tape. Do not attempt to destroy or disassemble the battery pack or remove any of its components. Recycle or properly dispose of lithium-ion battery packs at a battery recycling facility.



For more information on recycling lithium-ion battery packs and to locate the battery recycling facility closest to you, visit [www.Call2Recycle.org](http://www.Call2Recycle.org) (US and Canada only). If you are located outside of the US and Canada, please contact your authorized Toro distributor.

# Service

Should the chain saw need service, take the product to your Authorized Service Dealer.

# Storage

**Important:** Store the tool, battery pack, and charger only in temperatures that are within the appropriate range; refer to [Specifications \(page 8\)](#).

**Important:** If you are storing the tool for a year or longer, remove the battery pack from the tool and charge the battery pack until 2 or 3 LED indicators turn blue on the battery. Do not store a fully charged or fully depleted battery. When you are ready to use the tool again, charge the battery pack until the left indicator light turns green on the charger or all 4 LED indicators turn blue on the battery.

- Clean all foreign material from the product.
- Store the tool, battery pack, and battery charger in a well-ventilated place that is inaccessible to children.
- Keep the tool, battery pack, and battery charger away from corrosive agents such as garden chemicals and de-icing salts.
- To reduce the risk of serious personal injury, do not store the battery pack outside or in vehicles.
- Store the tool, battery pack, and battery charger in an enclosed clean, dry area.

# Troubleshooting

Perform only the steps described in these instructions. All further inspection, maintenance, and repair work must be performed by an authorized service center or a similarly qualified specialist if you cannot solve the problem yourself.

Problem	Possible Cause	Corrective Action
The motor does not run or runs intermittently.	<ol style="list-style-type: none"> <li>1. The chain brake is engaged.</li> <li>2. The battery pack is low on charge.</li> <li>3. The battery pack is not fully seated.</li> <li>4. The battery pack is too hot.</li> <li>5. The battery pack has exceeded high amperage limits.</li> <li>6. There is debris under the cover.</li> </ol>	<ol style="list-style-type: none"> <li>1. Disengage the chain brake by moving the chain brake rearward.</li> <li>2. Charge the battery pack.</li> <li>3. Ensure that the battery pack is inserted all the way into the housing.</li> <li>4. Allow the battery pack to cool.</li> <li>5. Release the trigger, then press the trigger switch.</li> <li>6. Remove the cover and clean out any debris.</li> </ol>
The motor runs, but the chain does not rotate.	<ol style="list-style-type: none"> <li>1. The chain is not properly seated on the drive sprocket.</li> </ol>	<ol style="list-style-type: none"> <li>1. Install the chain and ensure that the links are properly seated in the drive sprocket.</li> </ol>
The chain brake does not engage.	<ol style="list-style-type: none"> <li>1. There is a chain brake malfunction.</li> </ol>	<ol style="list-style-type: none"> <li>1. Immediately take the chain saw to a Authorized Service Dealer.</li> </ol>
The chain saw does not properly cut.	<ol style="list-style-type: none"> <li>1. The chain is not tensioned correctly.</li> <li>2. The chain is dull.</li> <li>3. The chain is installed backward.</li> <li>4. The chain is dry.</li> </ol>	<ol style="list-style-type: none"> <li>1. Set the proper tension on the chain.</li> <li>2. Replace the chain.</li> <li>3. Install the chain correctly.</li> <li>4. Check the oil level.</li> </ol>
The chain oil is not lubricating properly.	<ol style="list-style-type: none"> <li>1. The oil port is plugged.</li> <li>2. The oil groove in the guide bar is plugged.</li> <li>3. The strainer in the oil tank is plugged (if equipped).</li> </ol>	<ol style="list-style-type: none"> <li>1. Clean out debris from the oil port.</li> <li>2. Clean out debris in the bar.</li> <li>3. Clean debris out of the strainer in the oil tank (if equipped).</li> </ol>
The battery pack loses charge quickly.	<ol style="list-style-type: none"> <li>1. The battery pack is over or under the appropriate temperature range.</li> </ol>	<ol style="list-style-type: none"> <li>1. Move the battery pack to a place where it is dry and the temperature is between 0°C (32°F) and 40°C (104°F).</li> </ol>
The battery charger is not working.	<ol style="list-style-type: none"> <li>1. The battery charger is over or under the appropriate temperature range.</li> <li>2. The outlet that the battery charger is plugged into does not have power.</li> </ol>	<ol style="list-style-type: none"> <li>1. Unplug the battery charger and move it to a place where it is dry and the temperature is between 0°C (32°F) and 40°C (104°F).</li> <li>2. Contact your licensed electrician to repair the outlet.</li> </ol>
The chain saw does not run or run continuously.	<ol style="list-style-type: none"> <li>1. There is moisture on the leads of the battery pack.</li> <li>2. The battery pack is not fully installed into the chain saw.</li> </ol>	<ol style="list-style-type: none"> <li>1. Allow the battery pack to dry or wipe it dry.</li> <li>2. Remove and then replace the battery pack into the chain saw making sure that it is fully installed and latched.</li> </ol>
The battery pack shows only 3 LED indicators after only a few seconds of using a fully charged battery.	<ol style="list-style-type: none"> <li>1. This is a normal occurrence.</li> </ol>	<ol style="list-style-type: none"> <li>1. Shut off the tool and press the battery-charge-indicator button or the remove the battery from the tool to display the actual battery charge.</li> </ol>
All 4 LED indicators are blinking on the battery pack after you press the battery-charge-indicator button on the battery pack and the current charge displays (when the battery pack is not in use).	<ol style="list-style-type: none"> <li>1. The battery pack is over or under the appropriate temperature range.</li> </ol>	<ol style="list-style-type: none"> <li>1. Move the battery pack to a place where it is dry and the temperature is between 0°C (32°F) and 40°C (104°F).</li> </ol>

Problem	Possible Cause	Corrective Action
All 4 LED indicators are blinking on the battery pack after releasing the trigger (when the battery pack is in use).	1. The battery pack is over or under the appropriate temperature range.	1. Move the battery pack to a place where it is dry and the temperature is between 0°C (32°F) and 40°C (104°F).
2 LED indicators are blinking on the battery pack after you press the battery-charge-indicator button on the battery pack and the current charge displays (when the battery pack is not in use).	1. There is a difference in voltage between cells in the battery pack.	1. Place the battery on the charger until it is fully charged.
2 LED indicators are blinking on the battery pack after releasing the trigger (when the battery pack is in use).	1. There is a difference in voltage between cells in the battery pack.	1. Place the battery on the charger until it is fully charged.
1 LED indicator is blinking on the battery pack.	1. The battery pack voltage is low.	1. Place the battery pack on the charger.
It is difficult to remove the battery pack from the tool.	1. The battery pack/tool is new or there is corrosion in the battery terminals and/or the terminals on the tool.	1. Clean the terminals on the battery pack and the tool. Then apply dielectric grease to the battery terminals; do not use any other type of lubricant as it can damage the terminals.

# Notes:



**Count on it.**





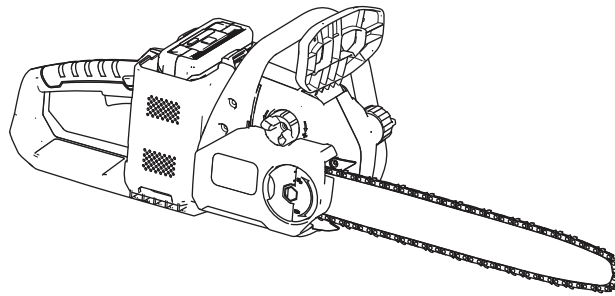
**Count on it.**

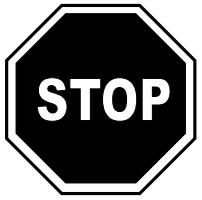
**Manual del operador**

# Motosierra PowerPlex™ 40 V MAX de 35 cm (14")

Nº de modelo 51880—Nº de serie 318000001 y superiores

Nº de modelo 51880T—Nº de serie 318000001 y superiores





Si tiene alguna pregunta o algún problema, llame al teléfono gratuito 1-855-340-7689 antes de devolver este producto.

## Introducción

Esta motosierra está diseñada para cortar ramas de árboles, troncos y vigas de madera de un diámetro no mayor que la longitud de corte de la espada. Debe ser utilizada únicamente por adultos. Está diseñada para usar únicamente baterías modelo 88540 (provistas con el modelo 51880) o modelo 88541.

Lea este manual detenidamente para aprender a utilizar y mantener correctamente su producto, y para evitar lesiones y daños al producto. Usted es responsable de utilizar el producto de forma correcta y segura.

Usted puede ponerse en contacto directamente con Toro en [www.Toro.com](http://www.Toro.com) si desea información sobre productos y accesorios, si necesita localizar un distribuidor, buscar datos completos sobre su garantía o registrar su producto.

**El Modelo 51880T no incluye batería ni cargador.**

## Seguridad

Cuando se utilizan herramientas eléctricas, es necesario observar unas normas básicas de seguridad, a fin de reducir el riesgo de incendio, descarga eléctrica y lesiones personales, incluyendo las siguientes:

### ⚠ ADVERTENCIA

**Si no se observan todas las advertencias e instrucciones, pueden producirse descargas eléctricas, incendios y/o lesiones graves.**

**Lea todas las advertencias e instrucciones de seguridad.**

**Guarde todas las advertencias e instrucciones para su referencia futura.**

*El término “herramienta eléctrica” que aparece en todas las advertencias se refiere a una herramienta eléctrica con cable o una herramienta eléctrica accionada por batería (inalámbrica).*

#### 1. Seguridad de la zona de trabajo

- A. **Mantenga la zona de trabajo limpia y bien iluminada.** *Las zonas desordenadas u oscuras son una invitación al accidente.*
- B. **No utilice herramientas eléctricas en atmósferas explosivas, como por ejemplo en presencia de líquidos inflamables, gases o polvo.** *Las herramientas eléctricas crean chispas que pueden inflamar el polvo o los vapores.*
- C. **Mantenga alejados a niños y otras personas mientras utiliza una herramienta eléctrica.** *Las distracciones pueden hacer que pierda el control.*

#### 2. Seguridad personal

- A. **Manténgase alerta, esté atento a lo que está haciendo y utilice el sentido común mientras utiliza una herramienta eléctrica. No utilice un herramienta eléctrica si está cansado o bajo la influencia de drogas, alcohol o medicamentos.** *Una breve falta de atención mientras utiliza una herramienta eléctrica podría provocar lesiones personales graves.*
- B. **Utilice equipos de protección personal. Lleve siempre protección ocular.** *El uso de equipos de protección personal como mascarillas, calzado de seguridad antideslizante, casco y protección auditiva en condiciones apropiadas reduce el riesgo de lesiones personales.*

- C. **Evite el encendido accidental.** Asegúrese de que el interruptor está en la posición de APAGADO antes de conectar la herramienta a la toma de corriente y/o a la batería, y antes de levantarla o transportarla. *Transportar las herramientas eléctricas con el dedo sobre el interruptor o enchufar herramientas eléctricas con el interruptor en la posición de encendido es una invitación al accidente.*
- D. **Retire cualquier llave de ajuste antes de encender la herramienta eléctrica.** *Una llave olvidada en la herramienta eléctrica puede dar lugar a lesiones personales.*
- E. **No intente alcanzar zonas demasiado alejadas.** Pise firme y mantenga el equilibrio en todo momento. *Esto permite un mayor control de la herramienta en situaciones imprevistas.*
- F. **Utilice la ropa adecuada.** No lleve ropas o joyas sueltas. Mantenga el pelo atado y la ropa y los guantes alejados de las piezas móviles. *La ropa suelta, las joyas y el pelo largo pueden quedar atrapados en piezas móviles.*
- G. **Si se proporcionan dispositivos para la extracción y recolección de polvo, asegúrese de conectarlos y usarlos correctamente.** *El uso de estos dispositivos puede reducir los riesgos asociados con el polvo.*
- H. **Mantenga las manos y los pies alejados de la zona de corte.**
3. **Uso y cuidado de las herramientas eléctricas**
- A. **No fuerce la herramienta eléctrica.** Utilice la herramienta eléctrica adecuada para el trabajo a realizar. *La herramienta eléctrica correcta realizará el trabajo mejor y con mayor seguridad a la velocidad para la que fue diseñada.*
- B. **No utilice la herramienta eléctrica si el interruptor no la enciende y apaga.** *Cualquier herramienta eléctrica que no pueda ser controlada con el interruptor es peligrosa y debe ser reparada.*
- C. **Desconecte el enchufe del suministro eléctrico y/o desconecte la batería de la herramienta eléctrica antes de realizar cualquier ajuste, cambiar accesorios o almacenar la herramienta.** *Estas medidas de seguridad preventivas reducen el riesgo de un arranque accidental de la herramienta eléctrica.*
- D. **Si no la está usando, guarde la herramienta eléctrica fuera del alcance de los niños, y no permita que la utilicen personas no familiarizadas con la herramienta eléctrica o con estas instrucciones de uso.** *Las herramientas eléctricas son peligrosas en manos de usuarios inexpertos.*
- E. **Guarde bajo techo los aparatos que no se están utilizando.** *Cuando no se están utilizando, los aparatos deben guardarse en un lugar seco, en alto o bajo llave, y fuera del alcance de los niños.*
- F. **Mantenimiento de las herramientas eléctricas.** Compruebe que las piezas móviles están correctamente alineadas y que se mueven libremente sin agarrotarse, que no hay piezas rotas, y que no hay otras circunstancias que podrían afectar al uso de la herramienta eléctrica. Si existen daños, haga reparar la herramienta eléctrica antes de usarla. *Muchos accidentes se deben a un mantenimiento deficiente de las herramientas eléctricas.*
- G. **Mantenga las herramientas de corte afiladas y limpias.** *Una herramienta de corte bien mantenida con filos bien afilados es más fácil de controlar y hay menos probabilidades de que se agarrote.*
- H. **Utilice la herramienta eléctrica, los accesorios, las brocas, etc., según lo indicado en estas instrucciones y de la manera prevista para cada tipo de herramienta eléctrica, teniendo en cuenta las condiciones de trabajo y el trabajo a realizar.** *Usar la herramienta eléctrica para operaciones diferentes de las previstas podría dar lugar a una situación de peligro.*
- I. **Mantenga los protectores colocados y en buen estado de funcionamiento.**
- J. **Utilice solamente las espadas y cadenas de repuesto especificadas por el fabricante.** *Las espadas y cadenas de repuesto incorrectas pueden causar la rotura de la cadena y/o contragolpes.*
- K. **Siga las instrucciones del fabricante para afilar y mantener la cadena de la motosierra.** *La reducción de la altura del indicador de profundidad puede aumentar los contragolpes.*
4. **Seguridad de la motosierra**
- A. **Sujete la herramienta eléctrica únicamente por las superficies de agarre aisladas, porque la motosierra podría entrar en contacto con cables ocultos o**

con su propio cable. Si las cadenas de la motosierra entran en contacto con un cable con corriente, las partes metálicas expuestas de la herramienta eléctrica también tendrán corriente y usted podría recibir una descarga eléctrica.

- B. **Utilice gafas de seguridad, protección auditiva y equipo de protección para la cabeza, las manos, las piernas y los pies.** El uso de ropa de protección adecuada reduce las lesiones personales que podrían provocar los residuos que salen despedidos o el contacto accidental con la cadena de la sierra.
- C. **Cortar árboles puede ser peligroso y requiere experiencia.** No utilice la motosierra para talar grandes árboles que posean un diámetro mayor que la longitud de la espada.
- D. **No utilice la motosierra en un árbol.** La operación de la motosierra mientras se está subido a un árbol puede producir lesiones personales.
- E. **Siempre pise firme y utilice la motosierra únicamente cuando esté en una superficie fija, segura y nivelada.** Las superficies resbaladizas o inestables, tales como escaleras, pueden hacerle perder el equilibrio o el control de la motosierra.
- F. **Al cortar una rama que esté bajo tensión, tenga cuidado por si se libera repentinamente.** Al liberarse la tensión de la fibra de la madera, la rama puede desplazarse de repente y golpearle, o hacer que pierda el control de la motosierra.
- G. **Extreme las precauciones al cortar maleza y árboles jóvenes.** El material fino puede engancharse en la cadena de la motosierra y salir despedido como un latigazo hacia usted o hacerle perder el equilibrio.
- H. **Para transportar la motosierra, llévela por la empuñadura delantera con la cadena apagada y alejada de su cuerpo. Al transportar o antes de guardar la motosierra, utilice siempre la funda de la espada.** Un manejo correcto de la motosierra reduce la posibilidad de contacto accidental con la cadena en movimiento.
- I. **Siga las instrucciones para lubricar, tensar la cadena y cambiar accesorios.** Una cadena tensada o lubricada incorrectamente puede romperse o aumentar las posibilidades de que se produzca un contragolpe.

J. **Mantenga las empuñaduras secas, limpias y libres de aceite y grasa.** Las superficies aceitosas o grasientas de la empuñadura son resbaladizas y pueden hacer que se pierda el control.

K. **Evite los contragolpes.** Los contragolpes pueden producirse cuando la punta o el extremo de la espada toca un objeto, o cuando la madera aprieta la motosierra durante el corte. El contacto de la punta puede provocar una reacción repentina hacia atrás, haciendo que la espada rebote hacia arriba y contra usted; si el tramo superior de la cadena queda aprisionada, puede hacer que la espada retroceda rápidamente hacia usted. Cualquiera de estas dos reacciones puede causar una pérdida de control de la sierra y lesiones personales graves. Puede evitar los contragolpes tomando las precauciones adecuadas que se indican más abajo:

- **Utilice ambas manos cuando opere la motosierra.** Agarre la motosierra con firmeza, rodeando las empuñaduras con los pulgares y demás dedos, con las dos manos sobre la motosierra, y ubique el cuerpo y el brazo de un modo que le permita resistir las fuerzas de los contragolpes. Puede controlar los contragolpes si toma las precauciones adecuadas. No suelte la motosierra!
- **No intente alcanzar zonas demasiado alejadas ni realice cortes por encima de la altura del hombro.** Esto ayuda a evitar un contacto involuntario de la punta de la cadena y permite un mayor control de la motosierra en situaciones imprevistas.

## 5. Mantenimiento

El mantenimiento de su herramienta eléctrica debe ser realizado por un técnico de reparaciones debidamente cualificado, utilizando únicamente piezas de repuesto idénticas. Esto garantiza que se mantenga la seguridad de la herramienta eléctrica.

## 6. Seguridad de las baterías

- A. *No cargue la herramienta eléctrica bajo la lluvia o en lugares húmedos.*
- B. *No utilice bajo la lluvia herramientas eléctricas alimentadas por batería.*
- C. *Utilice únicamente baterías del siguiente tipo y tamaño: batería Toro modelo 88540 o 88541 y cargador de batería modelo 88542.*

- D. *Retire o desconecte la batería antes de realizar tareas de mantenimiento o limpieza, y antes de retirar materiales de la herramienta eléctrica.*
- E. *No tire la batería al fuego; la celda puede explosionar. Compruebe si la normativa local contiene alguna instrucción especial sobre la eliminación de las baterías.*
- F. *No abra ni mutile la batería. El electrolito liberado es corrosivo y puede causar daños en los ojos o la piel. Puede ser tóxico si es ingerido.*
- G. *No abra ni mutile la batería. El electrolito liberado es inflamable y puede causar daños si se expone a una llama o un incendio.*
- H. *Al manipular las baterías, tenga cuidado para evitar cortocircuitos con materiales conductores, tales como anillos, pulseras o llaves. La batería o el conductor pueden sobrecalentarse y causar quemaduras.*
- I. *El tiempo de carga aumenta si la batería no se carga dentro del intervalo de temperatura apropiado.*

**GUARDE ESTAS INSTRUCCIONES**

# Pegatinas de seguridad e instrucciones



Las pegatinas de seguridad e instrucciones están a la vista del operador y están ubicadas cerca de cualquier zona de peligro potencial. Sustituya cualquier pegatina que esté dañada o que falte.

**WARNING** TO REDUCE THE RISK OF INJURY, USER MUST READ INSTRUCTION MANUAL. Do not expose to rain. Use only TORO PowerPlex battery. Contact of the guide bar tip with any object should be avoided. Tip contact can cause the guide bar to move suddenly upward and backward, which can cause serious injury. Always use two hands when operating the chain saw.

**AVERTISSEMENT** POUR RÉDUIRE LES RISQUES DE BLESSURES, LISEZ ATTENTIVEMENT LE MANUEL DE L'UTILISATEUR. Ne l'exposez pas à la pluie. Utilisez uniquement avec batterie TORO PowerPlex. Évitez tout contact de l'avant de la barre de guidage avec des objets. Ce contact peut faire remonter brusquement la barre de guidage et la repousser en arrière, et causer de graves blessures. Tenez toujours la tronçonneuse à deux mains lorsque vous l'utilisez.

BAR LENGTH: 14in / LONGUEUR DU GUIDE-CHAÎNE: 350mm  
 BAR / BARRE: 88580 SAW CHAIN / TRONÇONNEUSE : 88581  
 40V MAX\* DC CLASS 2C / CLASSE 2C

PATENT: www.ttcopats.com  
 THE TORO COMPANY  
 8111 Lyndale Avenue South  
 Bloomington, MN 55420-1196 USA

Country of Origin: PRC  
 Pays d'origine: PRC

Model: 51880  
 Modèle:

Serial Number: [Redacted]  
 Numéro de série:

Date Code: [Redacted]  
 Code de date:

\*Battery manufacturer rating = 40V maximum & 36V rated. Actual voltage varies with load.  
 \*Tension indiquée par le fabricant de la batterie = 40 V max., 36 V nominale. La tension réelle varie en fonction de la charge.

Conforms to UL STD 60745-1 & 60745-2-13  
 Certified to CSA Intertek  
 STD 60745-1 & 60745-2-13 3131666

136-2469

decal136-2469

**WARNING** TO REDUCE THE RISK OF INJURY, USER MUST READ INSTRUCTION MANUAL. Do not expose to rain. Use only TORO PowerPlex battery. Contact of the guide bar tip with any object should be avoided. Tip contact can cause the guide bar to move suddenly upward and backward, which can cause serious injury. Always use two hands when operating the chain saw.

**AVERTISSEMENT** POUR RÉDUIRE LES RISQUES DE BLESSURES, LISEZ ATTENTIVEMENT LE MANUEL DE L'UTILISATEUR. Ne l'exposez pas à la pluie. Utilisez uniquement avec batterie TORO PowerPlex. Évitez tout contact de l'avant de la barre de guidage avec des objets. Ce contact peut faire remonter brusquement la barre de guidage et la repousser en arrière, et causer de graves blessures. Tenez toujours la tronçonneuse à deux mains lorsque vous l'utilisez.

BAR LENGTH: 14in / LONGUEUR DU GUIDE-CHAÎNE: 350mm  
 BAR / BARRE: 88580 SAW CHAIN / TRONÇONNEUSE : 88581  
 40V MAX\* DC CLASS 2C / CLASSE 2C

PATENT: www.ttcopats.com  
 THE TORO COMPANY  
 8111 Lyndale Avenue South  
 Bloomington, MN 55420-1196 USA

Country of Origin: PRC  
 Pays d'origine: PRC

Model: 51880T  
 Modèle:

Serial Number: [Redacted]  
 Numéro de série:

Date Code: [Redacted]  
 Code de date:

\*Battery manufacturer rating = 40V maximum & 36V rated. Actual voltage varies with load.  
 \*Tension indiquée par le fabricant de la batterie = 40 V max., 36 V nominale. La tension réelle varie en fonction de la charge.

Conforms to UL STD 60745-1 & 60745-2-13  
 Certified to CSA Intertek  
 STD 60745-1 & 60745-2-13 3131666

136-2470

decal136-2470

**TORO**

LITHIUM-ION BATTERY CHARGER  
 CHARGEUR DE BATTERIE LITHIUM-ION  
 Input: 100-120V AC 50/60Hz Max 3.0A  
 Output: 41.8V MAX\* DC 2.5A

\*Battery manufacturer rating = 40V maximum & 36V nominal. Actual voltage varies with load.  
 \*Tension indiquée par le fabricant de la batterie = 40 V max., 36 V nominale. La tension réelle varie en fonction de la charge.

Backfeed Protection / Protection contre le retour d'énergie

**CAUTION** To reduce the risk of injury, user must read the instruction manual. Charge only TORO PowerPlex type rechargeable battery. Other types of batteries may burst causing personal injury and damage. Risk of electric shock. Do not expose to liquid, vapor, or rain. Do not interconnect output terminal. For indoor use only.

**ATTENTION** Pour réduire le risque de blessures, l'utilisateur doit lire le manuel d'utilisation. Utilisez uniquement pour les batteries rechargeables type TORO PowerPlex. D'autres types de batteries pourraient exploser et causer des blessures ou des dommages. Risque de décharge électrique. Ne pas exposer à des liquides, à la vapeur ou à la pluie. Ne pas interconnecter la borne de sortie. Pour usage intérieur uniquement.

Country of Origin: PRC / Pays d'origine: PRC

THE TORO COMPANY  
 8111 Lyndale Avenue South  
 Bloomington, MN 55420-1196 USA  
 PATENT: www.ttcopats.com

Conforms to UL STD 1012  
 Certified to CSA Intertek  
 STD C22.2 No.107.2-01 3131666

Model: 88542 SL  
 Modèle:

Serial Number: [Redacted]  
 Numéro de série:

Date Code: [Redacted]  
 Code de date:

136-2473

decal136-2473

**WARNING** To reduce the risk of injury, user must read the instruction manual. Use only with TORO PowerPlex battery charger. Wear eye protection. Do not short terminals. Do not throw into fire. Risk of fire, explosion and burns. Do not disassemble, crush, expose to heat or incinerate. Keep battery out of reach of children. To reduce risk of injury to persons, remove battery pack when not in use.

**AVERTISSEMENT** Pour réduire le risque de blessures, l'utilisateur doit lire le manuel d'utilisation. Utilisez uniquement avec chargeur de batterie TORO PowerPlex. Portez des lunettes de protection. Ne pas court-circuiter. Ne jetez pas au feu. Risque d'incendie, d'explosion et des brûlures. Ne pas démonter, écraser, exposer à une température au-dessus de 100°C. Contenez la batterie hors de portée des enfants. Pour réduire les risques de blessures corporelles, retirez l'ensemble batterie quand la machine ne sert pas.

TORO 40V MAX\* DC 90 Wh  
 Li-Ion Battery / Batterie au lithium-ion  
 \*Battery manufacturer rating = 40V maximum & 36V nominal. Actual voltage varies with load.  
 \*Tension indiquée par le fabricant de la batterie = 40 V max., 36 V nominale. La tension réelle varie en fonction de la charge.

THE TORO COMPANY  
 8111 Lyndale Avenue South  
 Bloomington, MN 55420-1196 USA  
 PATENT: www.ttcopats.com

Country of Origin: PRC / Pays d'origine: PRC

Model: 88540  
 Modèle:

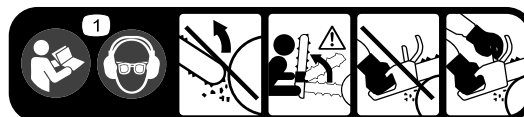
Serial Number: [Redacted]  
 Numéro de série:

Date Code: [Redacted]  
 Code de date:

136-2471

Modelo 88540

decal136-2471



136-2475

decal136-2475

1. Lea el *Manual del operador*; utilice protección auditiva y ocular; no haga contacto entre objetos y la punta de la espada; el contacto con la punta puede provocar graves lesiones personales; siempre utilice las 2 manos cuando opere la motosierra.

**POWERPLEX™ 40V MAX LITHIUM**

CHARGING PROCEDURE (LED INDICATOR) / PROCEDURE DE CHARGEMENT (VOYANT DEL)

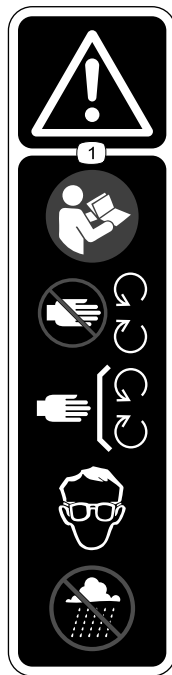
DO NOT REMOVE THIS DECAL / NE PAS RETIRER CET AUTOCOLLANT

1. [Battery icon with arrow] 2. 100% 3. [Battery icon with lightning bolt] 4. [Battery icon with lightning bolt]

136-2476

decal136-2476

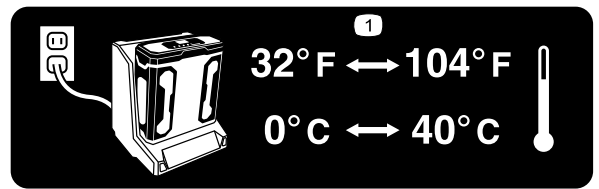
1. La batería se está cargando.
2. La batería está completamente cargada.
3. La batería está demasiado caliente.
4. Sustituya la batería.



136-2533

decal136-2533

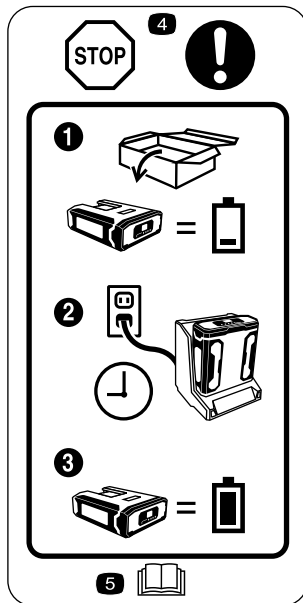
1. Advertencia: lea el *Manual del operador*; manténgase alejado de las piezas móviles; mantenga colocados todos los protectores y cubiertas; utilice protección ocular; no utilice en condiciones húmedas.



136-2539

decal136-2539

1. Cargue la batería a una temperatura de entre 0 °C y 40 °C (32 °F y 104 °F).



136-2534

decal136-2534

1. La batería no se suministra totalmente cargada.
2. Coloque la batería en el cargador.
3. Espere a que la batería este totalmente cargada antes del primer uso.
4. Pare: siga estas instrucciones antes del primer uso.
5. Lea el *Manual del operador*.

# Montaje

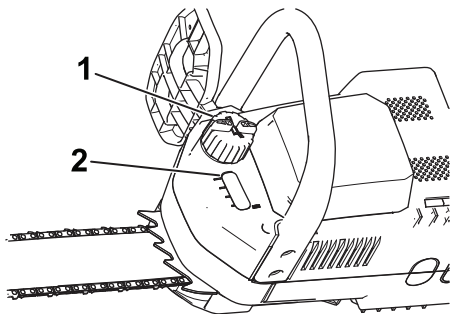
**Nota:** En el momento de la compra la batería no está totalmente cargada. Antes de usar la herramienta por primera vez, consulte [Carga de la batería \(página 16\)](#).

## Llenado de la motosierra con aceite para cadenas de motosierra

**Importante:** Utilice únicamente aceite para cadenas de motosierra (se vende por separado).

1. Coloque la motosierra en una superficie nivelada.
2. Limpie la zona alrededor del tapón de aceite ([Figura 1](#)).

**Nota:** Asegúrese de que no entre suciedad o astillas de madera en el depósito de aceite.



**Figura 1**

g192110

1. Tapón de aceite
2. Mirilla de aceite

3. Retire el tapón y vierta aceite en la motosierra hasta que el aceite llene la mirilla ([Figura 1](#)).

No llene la motosierra por encima del extremo inferior del cuello de llenado.

4. Limpie el aceite que se haya derramado y coloque nuevamente el tapón.

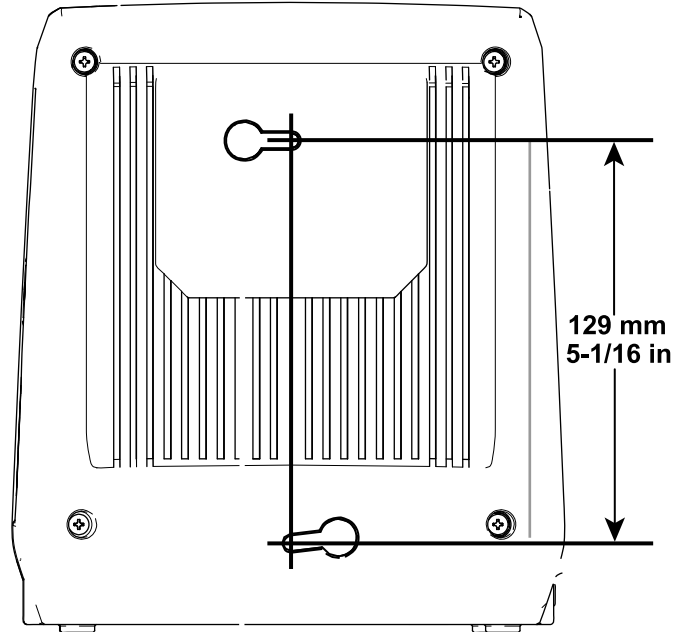
## Cómo montar el cargador de la batería (opcional)

Si lo desea, monte el cargador de la batería firmemente en la pared utilizando los orificios de montaje en pared en la parte trasera del cargador.

Móntelo en un espacio interior (tal como un garaje u otro lugar seco), cerca de una toma de corriente y fuera del alcance de los niños.

Consulte la [Figura 2](#) para obtener asistencia sobre el montaje del cargador.

**Nota:** Coloque el cargador sobre las fijaciones correctamente posicionadas y gírelo para fijarlo en su lugar (fijaciones no incluidas).

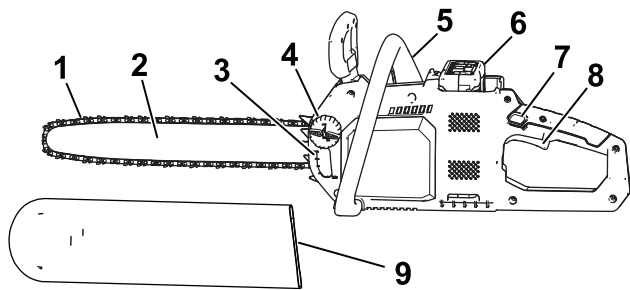


**Figura 2**

g194202



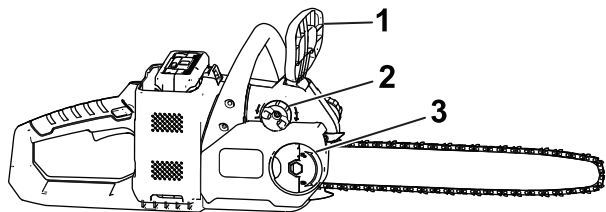
# El producto



**Figura 3**

Lado izquierdo de la motosierra

- |                         |                                       |
|-------------------------|---------------------------------------|
| 1. Cadena               | 6. Batería                            |
| 2. Espada               | 7. Seguro del gatillo                 |
| 3. Mirilla de aceite    | 8. Gatillo (en la empuñadura trasera) |
| 4. Tapón de aceite      | 9. Funda de la espada                 |
| 5. Empuñadura delantera |                                       |



**Figura 4**

Lado derecho de la motosierra

- |                               |                       |
|-------------------------------|-----------------------|
| 1. Freno de la cadena         | 3. Tuerca de mariposa |
| 2. Pomo para tensar la cadena |                       |

# Especificaciones

## Intervalos de temperatura adecuados

Cargue la batería a	Entre 0 °C y 40 °C (32 °F y 104 °F)*
Utilice el producto a	Entre -15 °C y 60 °C (5 °F y 140 °F)
Almacene el producto a	Entre -15 °C y 60 °C (5 °F y 140 °F)
Desenchufe el cargador a	Menos de 0 °C (32 °F) o más de 40 °C (104 °F)

\* El tiempo de carga será mayor si la temperatura no está en este intervalo durante la carga.

Guarde la herramienta, la batería y el cargador en un lugar cerrado, limpio y seco.

# Operación

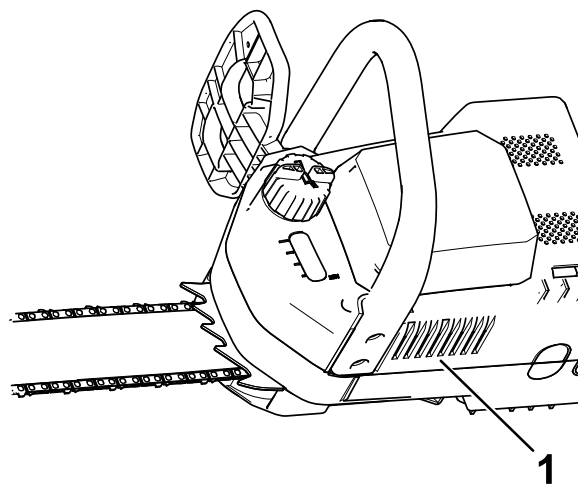
## Antes de usar la motosierra

Antes de usar la motosierra, haga lo siguiente:

- Compruebe la tensión de la cadena; consulte [Ajuste de la tensión de la cadena \(página 19\)](#).
- Limpie y compruebe si los componentes de la cadena tienen desgaste excesivo o si están dañados, y sustitúyalos según sea necesario, consulte [Mantenimiento de la espada, la cadena y el piñón de arrastre. \(página 20\)](#) y [Cómo afilar la cadena \(página 21\)](#).
- Compruebe el nivel de aceite; consulte [Cómo comprobar el nivel de aceite y añadir aceite para cadenas \(página 18\)](#).
- Compruebe el freno de la cadena; consulte [Comprobación del freno de la cadena \(página 19\)](#).

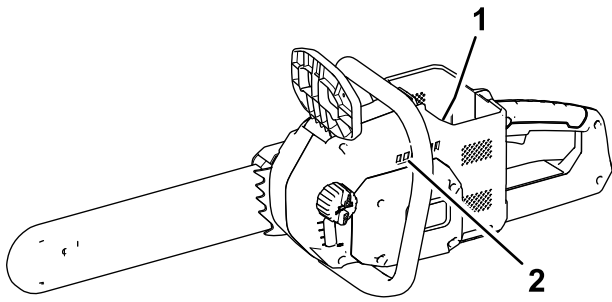
## Cómo arrancar la motosierra

1. Compruebe que los orificios de ventilación de la motosierra ([Figura 5](#) y [Figura 6](#)) están libres de polvo y residuos.



**Figura 5**

1. Orificio de ventilación

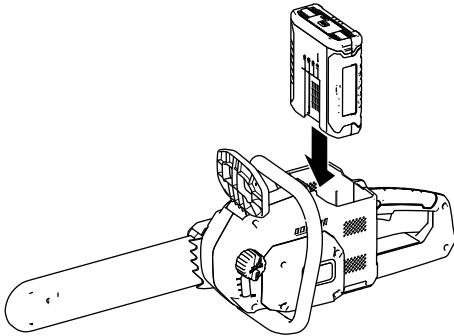


**Figura 6**

g197205

1. Orificio de ventilación (interior del hueco de la batería)
2. Orificio de ventilación

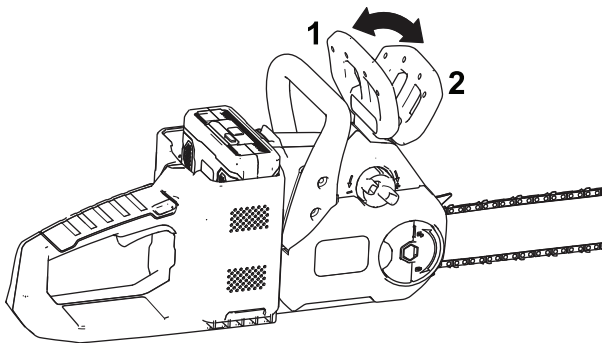
2. Coloque la motosierra en una superficie nivelada.
3. Alinee la lengüeta de la batería con el hueco correspondiente de la motosierra (Figura 7).



**Figura 7**

g228731

4. Introduzca la batería en el hueco de la batería hasta que se bloquee en su sitio.
5. Retire la funda protectora de la cadena.
6. Asegúrese de que el freno de la cadena esté en la posición de MARCHA (Figura 8).



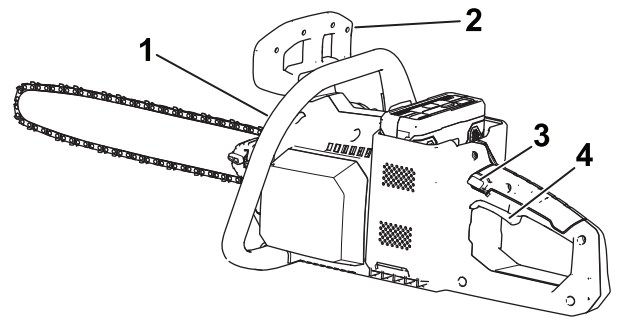
**Figura 8**

g192111

1. Freno de la cadena (posición de MARCHA)
2. Freno de la cadena (posición de PARADA)

7. Con una mano en la empuñadura delantera y la otra en la empuñadura trasera, presione

el seguro del gatillo y luego apriete el gatillo (Figura 9).



**Figura 9**

g192113

1. Empuñadura delantera
2. Freno de la cadena
3. Seguro del gatillo
4. Gatillo

## Cómo parar la motosierra

Para parar la motosierra, suelte el gatillo.

Cuando no utilice la sierra o la transporte desde o hacia el área de trabajo, mueva el freno de la cadena a la posición de PARADA (Figura 8) y retire la batería.

## Cómo cortar con la motosierra

### ⚠ ADVERTENCIA

El uso incorrecto de la motosierra puede causar lesiones personales graves o la muerte.

Lea atentamente y siga todas las instrucciones de uso con el fin de evitar posibles lesiones personales.

### ⚠ ADVERTENCIA

Un contragolpe puede causarle lesiones personales graves o mortales.

Asegúrese siempre de que el sistema de freno de la cadena funciona correctamente antes de poner en marcha la motosierra.

Evite tocar los objetos a cortar con la punta de la motosierra.

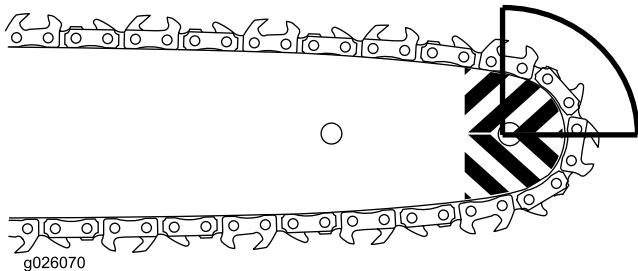
Existen 2 tipos de contragolpe:

- Un movimiento rápido de la motosierra hacia arriba, que se produce cuando la cadena toca

un objeto con la punta o el tramo superior de la espada.

- Un movimiento rápido de la motosierra **hacia atrás**, que se produce cuando el objeto que se está cortando aprisiona la cadena en la punta o en el tramo superior de la espada.

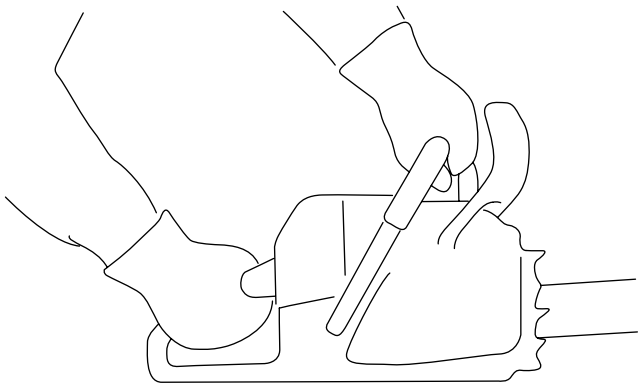
La **Figura 10** muestra la zona de la espada que no debe hacer contacto con un objeto para evitar contragolpes.



**Figura 10**

1. Agarre la motosierra con las dos manos, con la mano izquierda en la empuñadura delantera y la mano derecha en la empuñadura trasera, como se muestra en **Figura 11**.

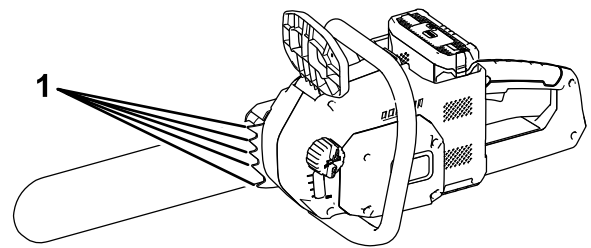
**Nota:** Mantener el brazo izquierdo recto con el codo bloqueado ayuda a reducir los contragolpes.



**Figura 11**

2. Colóquese a la izquierda de la motosierra y no en línea con la cadena, y adopte una posición equilibrada y estable mientras trabaja con la motosierra.
3. Colóquese en suelo firme y nivelado frente a la madera a cortar.
4. Mientras corta, mantenga la madera cerca del cabezal de la motosierra, en el extremo cercano expuesto de la espada.

Puede usar las garras metálicas (**Figura 12**) para aumentar la presión, pero funciona mejor con una cadena de dientes afilados.



**Figura 12**

1. Garras metálicas

5. Presione la motosierra ligeramente contra la madera, dejando que el peso de la motosierra dirija el corte.
6. Mantenga una presión constante en la motosierra durante todo el corte; libere la presión únicamente hacia el final del corte.

## Cómo podar árboles

### ⚠ ADVERTENCIA

**Debe cortar las ramas más altas de un árbol desde el suelo; si no, puede encontrarse en una posición inestable que podría ser peligrosa mientras manipula una motosierra, causando posibles lesiones personales graves o la muerte a usted o a otras personas.**

**Para cortar ramas de un árbol en pie, utilice las siguientes prácticas:**

- **No trepe sobre las ramas con la motosierra.**
- **No estire demasiado los brazos o el cuerpo, y corte con ambas manos en la motosierra.**
- **Asegúrese de que no haya nadie en la zona en la que puedan caer ramas.**

1. Sujete la motosierra como se muestra en la **Figura 11**.
2. Cuando corte ramas pequeñas, aplique una presión ligera contra la rama a cortar.
3. Cuando corte ramas más grandes, haga un corte de poca profundidad en la parte inferior y luego complete el corte desde la parte superior de la rama.
  - A. Corte desde la parte inferior de la rama a 15 cm (6") aproximadamente del tronco. Corte un tercio del grosor de la rama.
  - B. Haga otro corte desde arriba, alejándose 5 a 10 cm (2" a 4") más del tronco. Corte la rama hasta que caiga.

- C. Haga un corte de un tercio del diámetro aproximadamente de la base de la rama, desde abajo, lo más próximo posible al tronco.
- D. Corte la base de la rama desde arriba para que coincida con el corte anterior lo más próximo posible al tronco.

## Tala de árboles

### ⚠ ADVERTENCIA

La tala de árboles en pie requiere experiencia y presenta riesgos.

- Antes de intentar cortar un árbol grande, practique con ramas o troncos pequeños para familiarizarse con la motosierra.
- No utilice esta motosierra para talar árboles grandes que posean un diámetro mayor que la longitud de la espada.

La postura correcta del operador para talar un árbol se muestra en la [Figura 13](#).

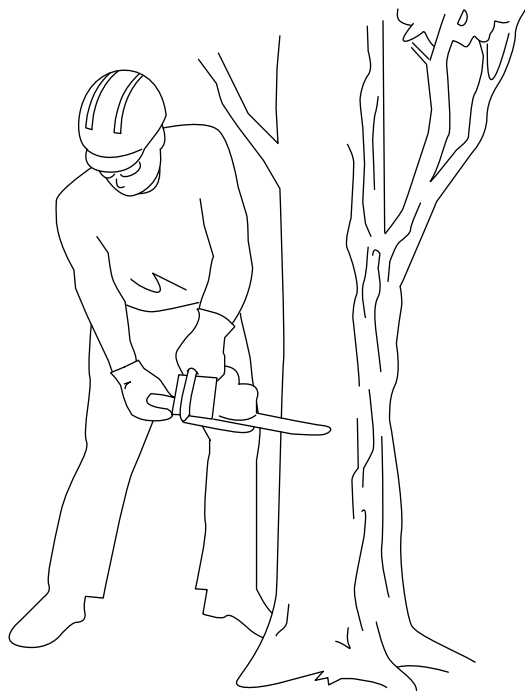
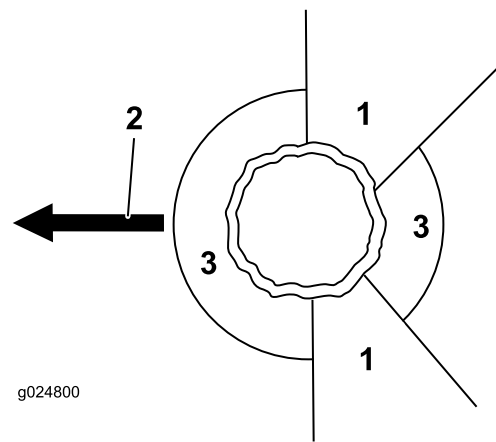


Figura 13

g195831

1. Determine la dirección de caída del árbol. Tenga en cuenta la dirección del viento, si hay ramas más pesadas en un lado del árbol y la inclinación natural del árbol, si la tiene.
2. Determine una vía de escape despejada y segura para retirarse de la zona de peligro, consulte [Figura 14](#).



g024800

Figura 14

g024800

1. Vía de escape
2. Ángulo de 45 grados
3. Zona de peligro

3. Sujete la motosierra como se muestra en la [Figura 11](#).
4. Haga el primer corte de un tercio del diámetro del árbol en el lado hacia donde desea que caiga el árbol ([Figura 15](#)).

**Nota:** Este corte evita que la motosierra quede aprisionada al hacer el corte siguiente.

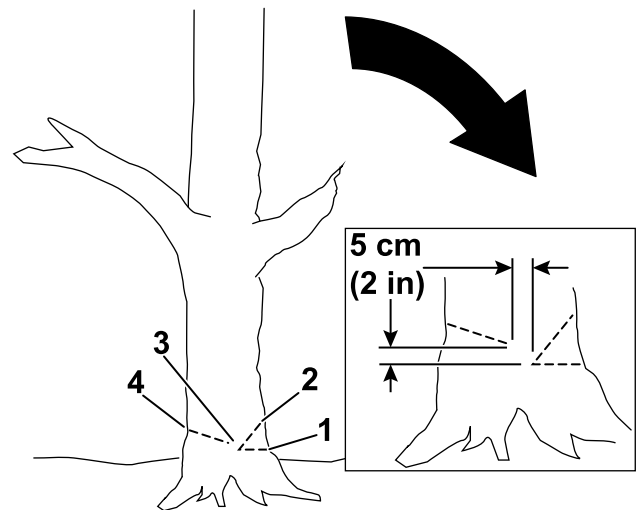


Figura 15

g228707

1. Primer corte
2. Segundo corte
3. Bisagra
4. Corte de caída

5. Haga un segundo corte para formar una cuña, empezando el corte al menos 5 cm (2") por encima del primer corte ([Figura 15](#)).
6. Haga el corte de caída desde el lado opuesto a la cuña y unos 5 cm (2") por encima de la parte inferior de la cuña, como se muestra en la [Figura 15](#).

**Importante:** Detenga el tercer corte a 2.5 a 5 cm (1" a 2") de la cuña para formar una bisagra entre los cortes (Figura 15), que evitará que el árbol caiga en la dirección incorrecta o que gire al caer.

**Nota:** A medida que el corte de caída se acerque a la bisagra (Figura 15), el árbol debe empezar a caer.

7. Cuando el árbol comienza a caer, retire la motosierra, apáguela, póngala en el suelo y retírese por la vía que determinó en el paso 2.

**Importante:** Si el árbol comienza a caer en una dirección no deseada, detenga el corte de inmediato, pare la motosierra, ponga la motosierra en el suelo y utilice una cuña para abrir el corte y empujar el árbol en la dirección deseada.

# Desrame de un árbol caído

1. Sujete la motosierra como se muestra en la [Figura 11](#).
2. Corte las ramas más pequeñas que no sirven de apoyo del árbol en el suelo.

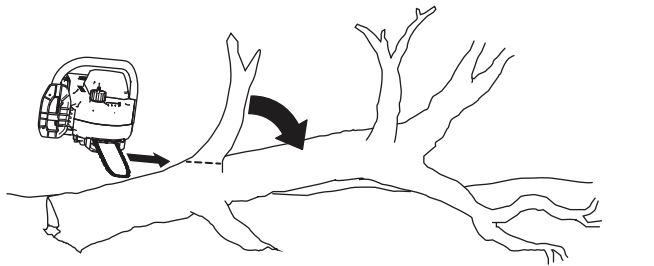


Figura 16

g194824



Figura 17

g194825

3. Corte las ramas más grandes que soportan el peso del árbol desde la parte inferior hacia arriba, para que las ramas no aprisionen la espada y la cadena ([Figura 18](#)).

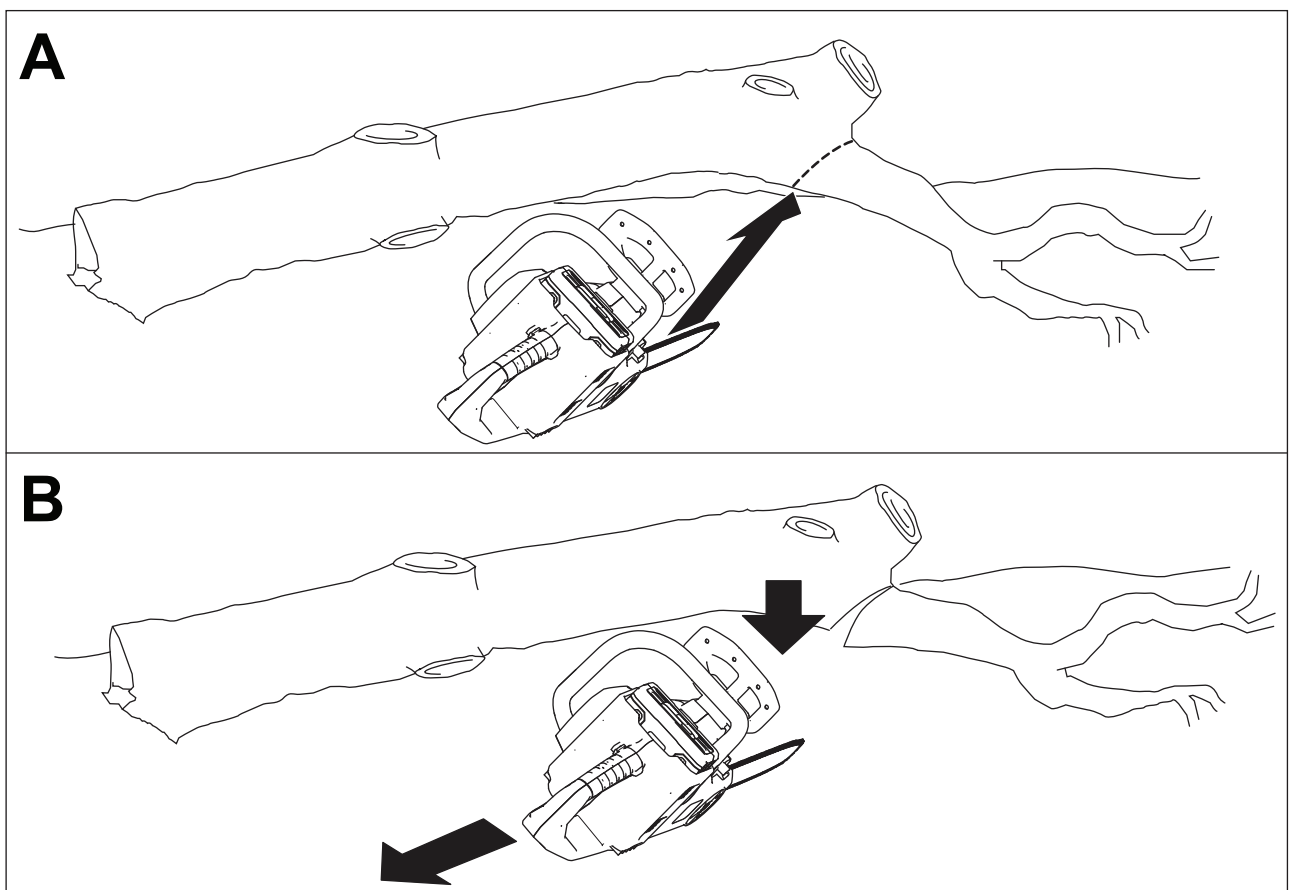


Figura 18

g194822

# Trozado

- Para cortar ramas de un árbol caído o trozar el tronco del árbol, separe el tronco del suelo (de preferencia sobre un caballete); consulte [Figura 19](#).

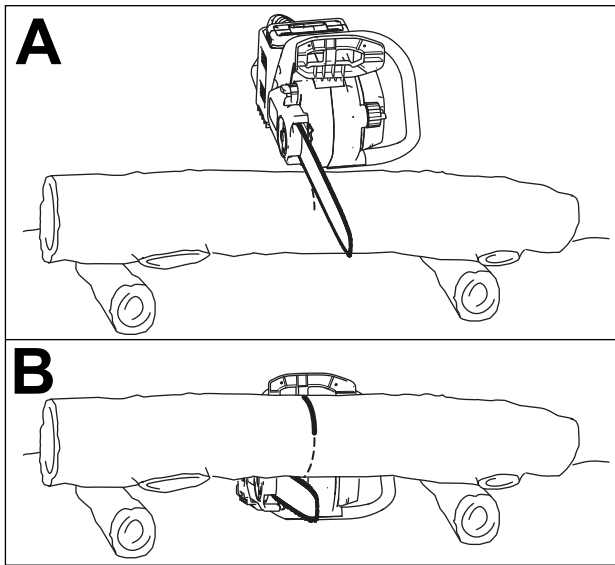


Figura 19

g194820

- Si el tronco está apoyado en un extremo, corte desde arriba. Si la motosierra se atora en el corte, no intente liberarla haciendo funcionar el motor. Pare la sierra, luego utilice una cuña para abrir el corte y liberar la sierra.
- Si el tronco está apoyado en ambos extremos, corte desde arriba, hasta llegar a un tercio aproximadamente del grosor del tronco ([Figura 19A](#)). Haga un segundo corte desde abajo para coincidir con el primer corte ([Figura 19B](#)). Esto evita que el tronco apriete la sierra.
- Si el tronco tiene apoyo en toda su extensión, haga un corte completo por el tronco desde arriba.
- Si el tronco está apoyado en los dos extremos pero no en el medio, corte hasta un tercio del diámetro desde arriba y luego corte desde abajo o gire el tronco y corte hasta llegar al primer corte ([Figura 20](#)).

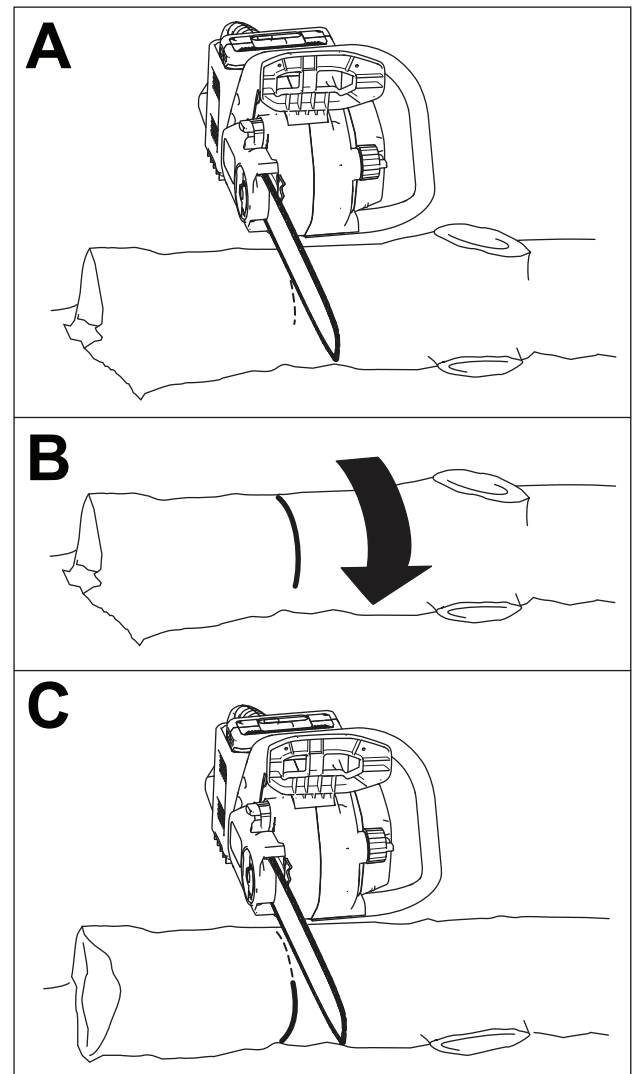
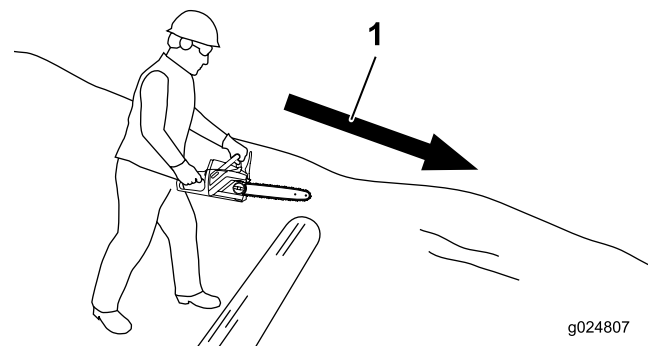


Figura 20

g194819

- Si el tronco está en una pendiente, colóquese siempre cuesta arriba respecto al tronco ([Figura 21](#)).



g024807

Figura 21

g024807

1. Dirección de la pendiente



# Cómo retirar la batería

1. Coloque la motosierra en una superficie plana.
2. Presione hacia abajo sobre el cierre y retire la batería del hueco.

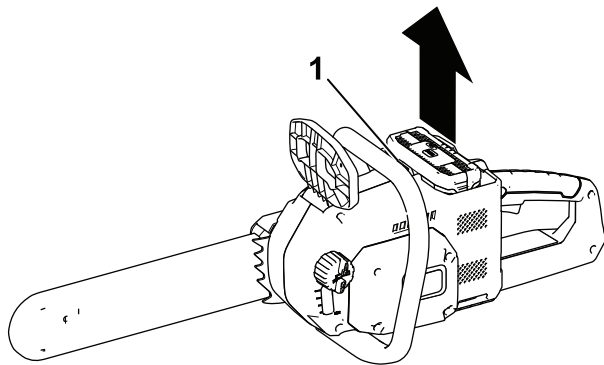
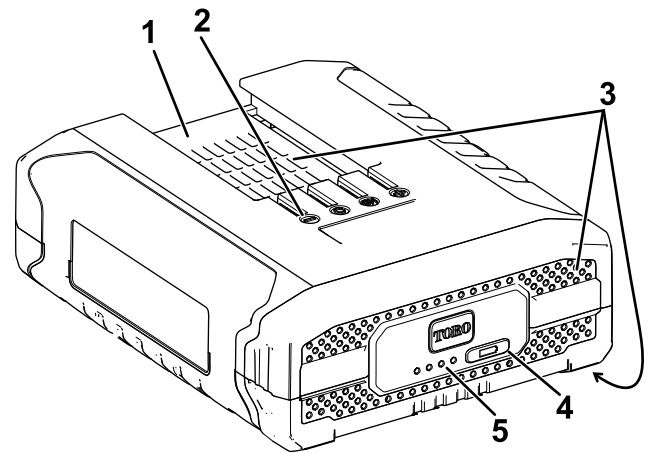


Figura 22

g192109

1. Cierre



g228487

Figura 23

1. Hueco de la batería
2. Terminales de la batería
3. Zonas de ventilación de la batería
4. Botón del indicador de carga de la batería
5. Indicadores LED (carga actual)

# Carga de la batería

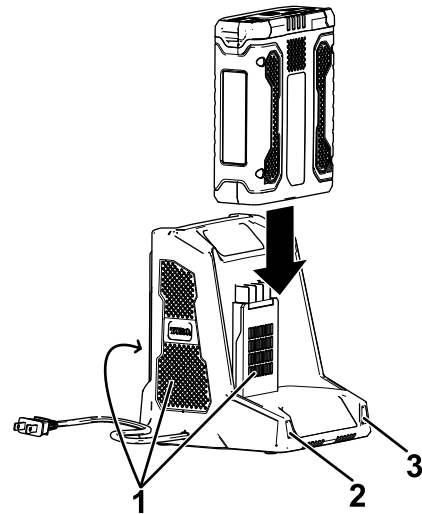
**Importante:** Lea todas las precauciones de seguridad.

**Importante:** Cargue la batería solo a temperaturas que estén dentro del intervalo apropiado; consulte [Especificaciones \(página 9\)](#).

**Nota:** En cualquier momento, presione el botón del indicador de carga de la batería de la batería para mostrar la carga actual (indicadores LED).

1. Compruebe que los orificios de ventilación de la batería están libres de polvo y residuos.
2. Alinee el hueco de la batería (Figura 23) con la lengüeta del cargador.

3. Compruebe que los orificios de ventilación del cargador de la batería están libres de polvo y residuos.
4. Introduzca la batería en el cargador hasta que esté completamente asentada (Figura 24).



g194423

Figura 24

1. Zonas de ventilación del cargador
2. Indicador izquierdo
3. Indicador derecho

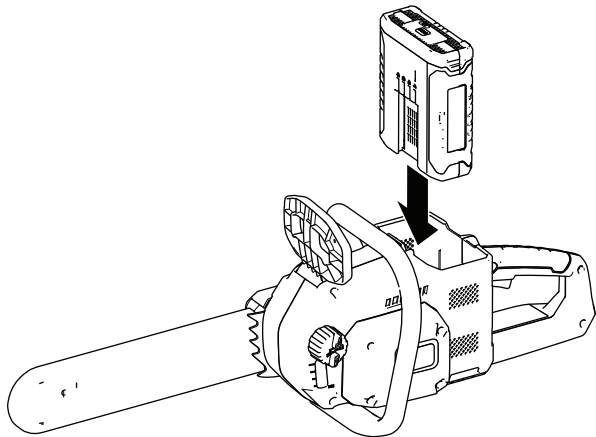
5. Para retirar la batería, deslice la batería hacia atrás para sacarla del cargador.
6. Consulte la tabla siguiente para interpretar los indicadores LED del cargador de la batería.



Indicador izquierdo	Indicador derecho	Indica:
Apagado	Rojo	Cargador encendido, sin batería
Rojo	Rojo	La batería se está cargando
Verde	Rojo	La batería está cargada
Naranja	Rojo	La batería está demasiado caliente
Rojo intermitente	Rojo	Sustituya la batería

## Instalación de la batería

1. Coloque la motosierra en una superficie nivelada.
2. Alinee la lengüeta de la batería con el hueco correspondiente de la motosierra ([Figura 25](#)).



**Figura 25**

g192108

3. Introduzca la batería en el hueco de la batería hasta que se bloquee en su sitio.

# Mantenimiento

## Calendario recomendado de mantenimiento

Intervalo de mantenimiento y servicio	Procedimiento de mantenimiento
Cada vez que se utilice o diariamente	<ul style="list-style-type: none"><li>• Compruebe el nivel de aceite y añada aceite para cadenas de motosierra si es necesario.</li><li>• Compruebe el freno de la cadena.</li><li>• Compruebe la tensión de la cadena y ajústela si es necesario.</li><li>• Compruebe si la cadena está afilada; póngase en contacto con un Servicio Técnico Autorizado para que afilen o sustituyan la cadena.</li></ul>
Después de cada ciclo de descarga de la batería	<ul style="list-style-type: none"><li>• Compruebe el nivel de aceite y añada aceite para cadenas de motosierra si es necesario.</li><li>• Compruebe el freno de la cadena.</li><li>• Compruebe la tensión de la cadena y ajústela si es necesario.</li></ul>
Cada año o antes del almacenamiento	<ul style="list-style-type: none"><li>• Realice el mantenimiento de la espada, la cadena y el piñón de arrastre.</li><li>• Compruebe si la cadena está afilada; póngase en contacto con un Servicio Técnico Autorizado para que afilen o sustituyan la cadena.</li></ul>

## Cómo comprobar el nivel de aceite y añadir aceite para cadenas

**Intervalo de mantenimiento:** Cada vez que se utilice o diariamente

Después de cada ciclo de descarga de la batería

1. Coloque la motosierra en una superficie plana y retire la batería; consulte [Cómo retirar la batería \(página 16\)](#).
2. Observe el nivel de aceite en la mirilla. Si no puede ver aceite en la mirilla, agregue aceite para cadenas a la motosierra ([Figura 26](#)).

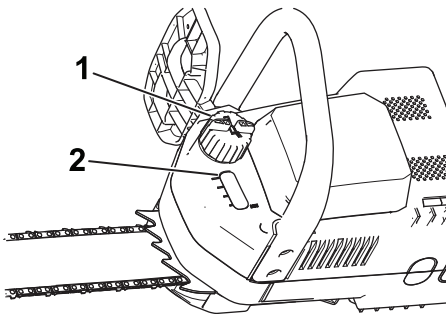


Figura 26

g192110

1. Tapón de aceite
2. Mirilla

3. Limpie la zona alrededor del tapón de aceite ([Figura 26](#)).

**Nota:** Asegúrese de que no entre suciedad o astillas de madera en el depósito de aceite.

4. Retire el tapón y vierta aceite en la motosierra hasta que el aceite llene la mirilla ([Figura 26](#)).

**Nota:** No llene la motosierra por encima del extremo inferior del cuello de llenado.

5. Limpie el aceite que se haya derramado y coloque nuevamente el tapón.

# Comprobación del freno de la cadena

**Intervalo de mantenimiento:** Cada vez que se utilice o diariamente

Después de cada ciclo de descarga de la batería

1. Coloque la motosierra en una superficie plana y retire la batería; consulte [Cómo retirar la batería \(página 16\)](#).
2. Ponga el freno de la cadena moviendo el freno de la cadena hacia adelante a la posición de PARADA ([Figura 27](#)).

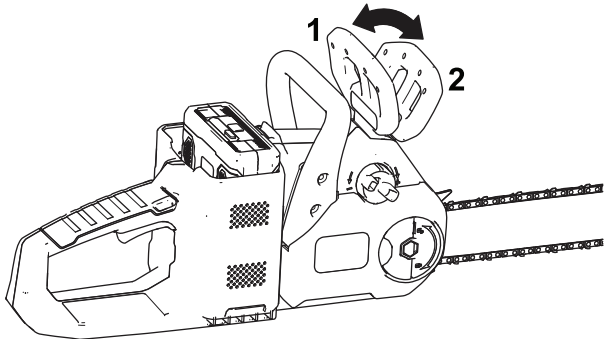


Figura 27

g192111

1. Freno de la cadena (posición de MARCHA)
  2. Freno de la cadena (posición de PARADA)
- 
3. Agarre la cadena con la mano enguantada e intente tirar de la cadena por la espada: la cadena no debe moverse por la espada. Si se mueve, lleve la motosierra a un Servicio Técnico Autorizado para su reparación.
  4. Quite el freno de la cadena moviendo el freno de la cadena hacia atrás, a la posición de MARCHA ([Figura 27](#)).
  5. Agarre la cadena con la mano enguantada e intente tirar de la cadena por la espada: la cadena debe moverse por la espada. Si no se mueve, lleve la motosierra a un Servicio Técnico Autorizado para su reparación.

# Ajuste de la tensión de la cadena

**Intervalo de mantenimiento:** Cada vez que se utilice o diariamente

Después de cada ciclo de descarga de la batería

Asegúrese de que la cadena está correctamente tensada. Una cadena destensada acortará la vida útil del piñón de arrastre y la espada, y la cadena

podría romperse. Una cadena tensada en exceso sobrecalentará la espada y la cadena, causando un rápido desgaste y la posible quemadura del motor. Compruebe también la tensión de la cadena después de realizar algunos cortes. Una cadena nueva suele estirarse, y necesita ajustes después del primer uso.

La tensión de la cadena es correcta si usted puede tirar de la cadena por la espada con la mano enguantada. La cadena debe permanecer en contacto con el borde inferior de la espada.

## ⚠ PELIGRO

**Cualquier contacto con los dientes de la motosierra puede causar lesiones personales graves.**

- **Retire la batería antes de realizar cualquier ajuste o mantenimiento de la motosierra.**
- **Siempre use guantes cuando realice cualquier ajuste o mantenimiento de la motosierra.**

1. Coloque la motosierra en una superficie nivelada y retire la batería; consulte [Cómo retirar la batería \(página 16\)](#).
2. Abra la pestaña de la tuerca de mariposa y aflójela, pero no retire la tuerca de mariposa de la cubierta ([Figura 27](#)).
3. Levante la punta de la espada ([Figura 28](#)).

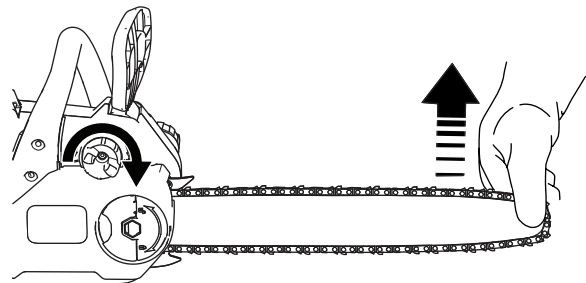


Figura 28

g192117

4. Ajuste la cadena.
  - **Para apretar la cadena**, gire el tensor de la cadena en sentido horario.
  - **Para aflojar la cadena**, gire el tensor de la cadena en sentido antihorario.

Ajuste la cadena hasta que toque el borde inferior de la espada, luego apriete el tensor  $\frac{1}{8}$  a  $\frac{1}{4}$  de vuelta más.

5. Apriete la tuerca de mariposa hasta que esté ajustada y cierre la pestaña ([Figura 29](#)).
6. Compruebe la tensión de la cadena; si está floja, repita este procedimiento.

# Mantenimiento de la espada, la cadena y el piñón de arrastre.

Intervalo de mantenimiento: Cada año o antes del almacenamiento

## ▲ PELIGRO

Cualquier contacto con los dientes de la motosierra puede causar lesiones personales graves.

- Retire la batería antes de realizar cualquier ajuste o mantenimiento de la motosierra.
- Siempre use guantes cuando realice cualquier ajuste o mantenimiento de la motosierra.

1. Coloque la motosierra en una superficie plana y retire la batería; consulte [Cómo retirar la batería](#) (página 16).
2. Abra la pestaña de la tuerca de mariposa, y retire la tuerca de mariposa que sujeta la cubierta ([Figura 29](#)).

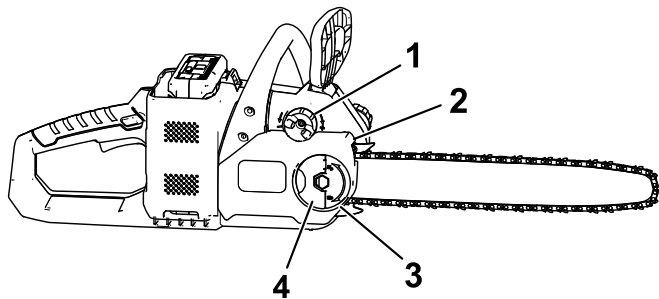


Figura 29

g228710

1. Pomo para tensar la cadena
2. Cubierta
3. Tuerca de mariposa
4. Pestaña de la tuerca de mariposa

3. Afloje la cadena girando el tornillo de apriete de la cadena en sentido antihorario ([Figura 29](#)).
4. Separe la cadena de la espada y apártalas.
5. Retire el clip, el espaciador y el piñón de arrastre de la motosierra ([Figura 30](#)).

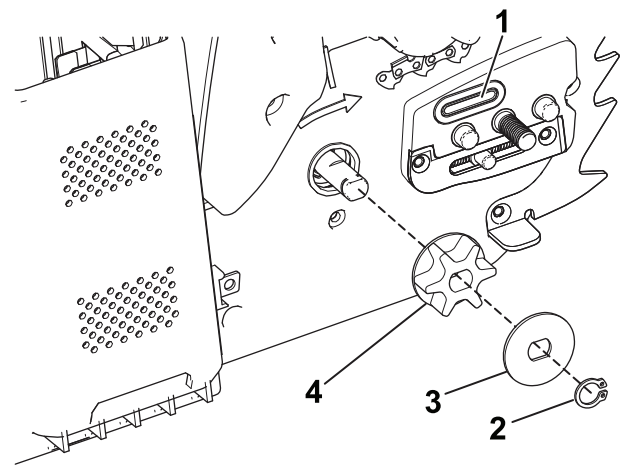


Figura 30

g192116

1. Paso de aceite
2. Clip
3. Espaciador
4. Piñón de arrastre

6. Inspeccione el piñón de arrastre; si está muy desgastado o dañado, sustitúyalo.
7. Compruebe que el paso de aceite ([Figura 30](#)) está libre de residuos; limpie la zona si es necesario.
8. Instale el piñón de arrastre, el espaciador y el clip.
9. Limpie la espada y la cadena; use un alambre o un pequeño destornillador de cabeza plana para eliminar la suciedad y los residuos de la ranura del borde de la espada, empezando en el piñón del extremo delantero y trabajando hacia atrás.  
Si la espada o las ranuras están dañadas o el piñón del extremo delantero no rota libremente, sustituya la espada; si la cadena está demasiado desgastada o dañada, sustitúyala.
10. Coloque la cadena alrededor del piñón de arrastre en el extremo delantero de la espada; **el filo de corte de los dientes de la cadena en el tramo superior de la espada debe estar orientado hacia adelante** como se muestra en el diagrama del lateral de la motosierra ([Figura 31C](#)).

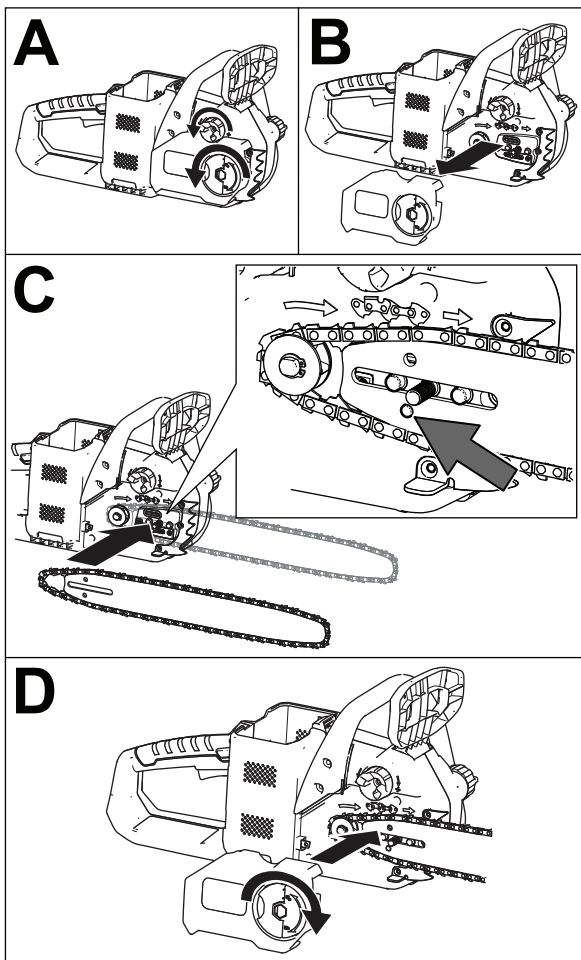


Figura 31

g192112

## Cómo afilar la cadena

**Intervalo de mantenimiento:** Cada vez que se utilice o diariamente

Cada año o antes del almacenamiento

La cadena necesita afilarse o sustituirse cuando debe forzarla para que entre en la madera, o si produce astillas más pequeñas que cuando era nueva.

Póngase en contacto con un Servicio Técnico Autorizado para que afilen o sustituyan la cadena.

## Preparación de la batería para el reciclado

**Importante:** Al retirarla, cubra los terminales de la batería con cinta adhesiva de servicio pesado. No intente destruir o desmontar la batería ni intente retirar cualquiera de los componentes de la misma. Recicle o elimine adecuadamente las baterías de litio-ion en un centro de reciclado de baterías.



Si desea obtener más información sobre el reciclaje de las baterías de iones de litio o localizar las instalaciones de reciclaje de baterías más próximas, visite [www.Call2Recycle.org](http://www.Call2Recycle.org) (EE.UU. y Canadá únicamente). Si se encuentra fuera de EE.UU. o Canadá, póngase en contacto con su distribuidor Toro autorizado.

11. Vaya colocando la cadena alrededor de la espada, alojando los dientes de la cadena en la ranura de la espada.
12. Posicione el bucle abierto de la cadena (separado de la espada) alrededor del piñón de arrastre de la motosierra, e instale la espada con la cadena en la motosierra, como se muestra en la [Figura 31](#).

**Importante:** Asegúrese de que insertar el espárrago de ajuste de la cadena en el orificio indicado por la flecha en [Figura 31C](#). Puede ser necesario girar el tensor de la cadena para poder insertar el espárrago en el orificio de la espada.

13. Instale la cubierta y la tuerca de mariposa, pero no apriete del todo la tuerca de mariposa ([Figura 31D](#)). Cierre la pestaña de la tuerca de mariposa.
14. Ajuste la tensión de la cadena; consulte [Ajuste de la tensión de la cadena](#) (página 19).

## Mantenimiento

Si la motosierra necesita mantenimiento, llévela a un Servicio Técnico Autorizado.

# Almacenamiento

**Importante:** Almacene la herramienta, la batería y el cargador solo a temperaturas que estén dentro del intervalo apropiado; consulte [Especificaciones \(página 9\)](#).

**Importante:** Si va a almacenar la herramienta durante un año o más, retire la batería de la herramienta y cargue la batería hasta que 2 o 3 de los indicadores LED de la batería cambien a azul. No almacene la batería completamente cargada ni completamente descargada. Antes de volver a usar la herramienta, cargue la batería hasta que se encienda el indicador izquierdo del cargador en verde, o hasta que los 4 indicadores LED de la batería se vuelvan azules.

- Limpie cualquier material extraño del producto.
- Almacene la herramienta, la batería y el cargador de la batería en un lugar bien ventilado que no sea accesible para los niños.
- Mantenga la herramienta, la batería y el cargador de la batería alejados de agentes corrosivos como productos químicos de jardín o sal para deshielo.
- Para reducir el riesgo de lesiones personales graves, no almacene la batería en el exterior o en un vehículo.
- Guarde la herramienta, la batería y el cargador en un lugar cerrado, limpio y seco.

# Solución de problemas

Realice solo los pasos descritos en estas instrucciones. Cualquier otro trabajo de inspección, mantenimiento o reparación debe ser realizado por un Servicio Técnico Autorizado o por un especialista autorizado si no puede solucionar el problema usted mismo.

Problema	Posible causa	Acción correctora
El motor no funciona, o funciona de forma intermitente.	<ol style="list-style-type: none"> <li>1. El freno de la cadena está puesto.</li> <li>2. La batería tiene poca carga.</li> <li>3. La batería no está completamente asentada.</li> <li>4. La batería está demasiado caliente.</li> <li>5. La batería ha superado los límites máximos de amperaje.</li> <li>6. Hay suciedad debajo de la cubierta.</li> </ol>	<ol style="list-style-type: none"> <li>1. Quite el freno de la cadena moviendo el freno de la cadena hacia atrás.</li> <li>2. Cargue la batería.</li> <li>3. Asegúrese de que la batería se ha introducido por completo en el alojamiento.</li> <li>4. Deje que la batería se enfríe.</li> <li>5. Suelte el gatillo y luego presione el interruptor del gatillo.</li> <li>6. Retire la cubierta y elimine la suciedad.</li> </ol>
El motor funciona, pero la cadena no gira.	<ol style="list-style-type: none"> <li>1. La cadena no está correctamente asentada en el piñón de arrastre.</li> </ol>	<ol style="list-style-type: none"> <li>1. Instale la cadena y asegúrese de que los eslabones están correctamente asentados en el piñón de arrastre.</li> </ol>
No se activa el freno de la cadena.	<ol style="list-style-type: none"> <li>1. Hay un desperfecto en el freno de la cadena.</li> </ol>	<ol style="list-style-type: none"> <li>1. Lleve la motosierra inmediatamente a un Servicio Técnico Autorizado.</li> </ol>
La motosierra no corta bien.	<ol style="list-style-type: none"> <li>1. La cadena no está tensada correctamente.</li> <li>2. La cadena está desafilada.</li> <li>3. La cadena está instalada al revés.</li> <li>4. La cadena está seca.</li> </ol>	<ol style="list-style-type: none"> <li>1. Ajuste la cadena con la tensión correcta.</li> <li>2. Cambie la cadena.</li> <li>3. Instale la cadena correctamente.</li> <li>4. Compruebe el nivel de aceite.</li> </ol>
El aceite de la cadena no lubrica correctamente.	<ol style="list-style-type: none"> <li>1. El orificio del aceite está obstruido.</li> <li>2. La ranura de aceite de la espada está obstruida.</li> <li>3. El filtro del depósito de aceite está obstruido (si está instalado).</li> </ol>	<ol style="list-style-type: none"> <li>1. Limpie la suciedad que haya en el orificio del aceite.</li> <li>2. Limpie la suciedad que haya en la espada.</li> <li>3. Limpie los residuos del filtro del depósito de aceite (si está instalado).</li> </ol>
La batería se descarga rápidamente.	<ol style="list-style-type: none"> <li>1. La temperatura de la batería está por encima o por debajo del intervalo de temperatura adecuado.</li> </ol>	<ol style="list-style-type: none"> <li>1. Traslade la batería a un lugar seco cuya temperatura sea de entre 0 °C y 40 °C (32 °F y 104 °F).</li> </ol>
El cargador de la batería no funciona.	<ol style="list-style-type: none"> <li>1. La temperatura del cargador de la batería está por encima o por debajo del intervalo de temperatura adecuado.</li> <li>2. La toma de corriente en la que está enchufado el cargador de la batería no tiene corriente.</li> </ol>	<ol style="list-style-type: none"> <li>1. Desenchufe el cargador de la batería y trasládalo a un lugar seco cuya temperatura sea de entre 0 °C y 40 °C (32 °F y 104 °F).</li> <li>2. Póngase en contacto con un electricista autorizado para que repare la toma de corriente.</li> </ol>
La motosierra no funciona, o funciona de forma intermitente.	<ol style="list-style-type: none"> <li>1. Hay humedad en los cables de la batería.</li> <li>2. La batería no está instalada por completo en la motosierra.</li> </ol>	<ol style="list-style-type: none"> <li>1. Deje que la batería se seque o séquela con un paño.</li> <li>2. Retire y luego vuelva a colocar la batería en la motosierra, asegurándose de que está completamente instalada y bloqueada.</li> </ol>
La batería muestra solo 3 indicadores LED después de pocos segundos de uso de una batería completamente cargada.	<ol style="list-style-type: none"> <li>1. Esto es normal.</li> </ol>	<ol style="list-style-type: none"> <li>1. Apague la herramienta y presione el botón del indicador de carga de la batería o retire la batería de la herramienta para mostrar la carga real de la batería.</li> </ol>

<b>Problema</b>	<b>Posible causa</b>	<b>Acción correctora</b>
Los 4 indicadores LED de la batería parpadean después de presionar el botón del indicador de carga de la batería, y se muestra la carga actual (cuando la batería no se está usando).	1. La temperatura de la batería está por encima o por debajo del intervalo de temperatura adecuado.	1. Traslade la batería a un lugar seco cuya temperatura sea de entre 0 °C y 40 °C (32 °F y 104 °F).
Los 4 indicadores LED de la batería parpadean después de liberar el gatillo (cuando la batería se está usando).	1. La temperatura de la batería está por encima o por debajo del intervalo de temperatura adecuado.	1. Traslade la batería a un lugar seco cuya temperatura sea de entre 0 °C y 40 °C (32 °F y 104 °F).
2 indicadores LED de la batería parpadean después de presionar el botón del indicador de carga de la batería, y se muestra la carga actual (cuando la batería no se está usando).	1. Existe una diferencia de voltaje entre las celdas de la batería.	1. Coloque la batería en el cargador hasta que esté completamente cargada.
2 indicadores LED de la batería parpadean después de liberar el gatillo (cuando la batería se está usando).	1. Existe una diferencia de voltaje entre las celdas de la batería.	1. Coloque la batería en el cargador hasta que esté completamente cargada.
1 indicador LED de la batería parpadea.	1. El voltaje de la batería es bajo.	1. Coloque la batería en el cargador.
Es difícil retirar la batería de la herramienta.	1. La batería/herramienta es nueva o hay corrosión en los terminales de la batería o los terminales de la herramienta.	1. Limpie los terminales de la batería y de la herramienta. Aplique grasa dieléctrica en los terminales de la batería; no utilice otro tipo de lubricante porque podría dañar los terminales.





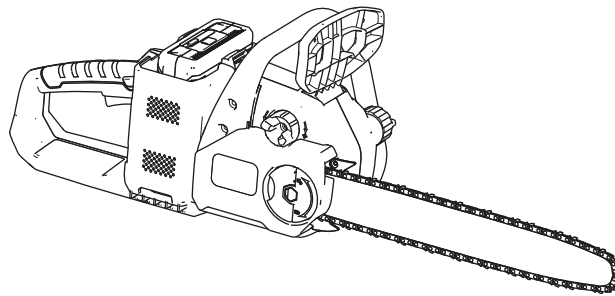
**Count on it.**

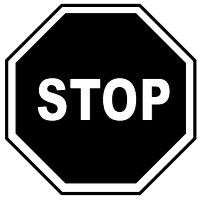
**Manuel de l'utilisateur**

**Tronçonneuse PowerPlex™ 35 cm  
(14 po) 40 V MAX**

N° de modèle 51880—N° de série 318000001 et suivants

N° de modèle 51880T—N° de série 318000001 et suivants





Pour tout conseil ou renseignement, appelez notre numéro vert 1-855-340-7689 avant de renvoyer ce produit.

## Introduction

Cette tronçonneuse est prévue pour couper les branches d'arbres, les bûches et les poutres en bois de diamètre inférieur à la longueur de coupe du guide-chaîne. Elle ne doit être utilisée que par des personnes adultes. Elle est conçue pour utiliser uniquement la batterie modèle 88540 (fournie avec le modèle 51880) ou 88541.

Lisez attentivement cette notice pour apprendre comment utiliser et entretenir correctement votre produit, et éviter de l'endommager ou de vous blesser. Vous êtes responsable de l'utilisation sûre et correcte du produit.

Vous pouvez contacter Toro directement sur [www.Toro.com](http://www.Toro.com) pour tout renseignement concernant un produit ou un accessoire, pour obtenir l'adresse des dépositaires, pour connaître tous les détails concernant la garantie ou pour enregistrer votre produit.

**Le modèle 51880T ne comprend pas de batterie ni de chargeur.**

## Sécurité

L'utilisation d'outils électriques exige d'observer certaines précautions élémentaires pour réduire le risque d'incendie, de choc électrique et de dommage corporel, y compris ce qui suit :

### ⚠ ATTENTION

**Le non respect de tous les avertissements et toutes les consignes peut entraîner des chocs électriques, un incendie et/ou des blessures graves.**

**Lisez toutes les mises en garde et consignes de sécurité.**

**Conservez précieusement toutes les mises en garde et consignes de sécurité pour référence ultérieure.**

*Le terme « outil électrique » utilisé dans toutes les mises en garde renvoie à votre outil électrique câblé ou alimenté par batterie (sans fil).*

#### 1. Sécurité sur la zone de travail

- A. **La zone de travail doit être propre et bien éclairée.** *Les endroits sombres et encombrés sont propices aux accidents.*
- B. **N'utilisez jamais d'outils électriques dans des atmosphères explosives, en présence de liquides, gaz ou poussière inflammables par exemple.** *Les outils électriques produisent des étincelles qui peuvent enflammer la poussière ou les vapeurs/émanations.*
- C. **Tenez enfants et spectateurs à distance pendant l'utilisation d'un outil électrique.** *Les distractions peuvent entraîner la perte de contrôle de l'outil.*

#### 2. Sécurité personnelle

- A. **Restez vigilant, regardez où vous allez et faites preuve de bon sens lorsque vous utilisez un outil électrique. N'utilisez jamais un outil électrique si vous êtes fatigué ou sous l'emprise de l'alcool, de drogues ou de médicaments.** *Un seul moment d'inattention pendant l'utilisation pourrait entraîner de graves blessures.*
- B. **Utilisez des équipements de protection individuelle. Portez toujours une protection oculaire.** *Les équipements de protection comme les masques antipoussière, les chaussures de sécurité à semelle antidérapante, les casques et les protections antibruit utilisés de manière pertinente réduisent les risques de blessures.*

- C. **Évitez tout démarrage accidentel. Assurez-vous que l'interrupteur d'alimentation est en position ARRÊT avant de brancher l'outil à une source d'alimentation et/ou à la batterie, de le prendre en main ou de le transporter.** *Des accidents peuvent se produire si vous transportez un outil électrique en gardant le doigt sur l'interrupteur d'alimentation ou si vous le mettez sous tension sans avoir placé l'interrupteur en position arrêt.*
- D. **Retirez toute clé de réglage ou autre avant de mettre l'outil en marche.** *Une clé oubliée sur l'outil électrique pourrait vous blesser.*
- E. **Ne travaillez pas trop loin devant vous. Gardez toujours les pieds bien posés à terre et faites en sorte de ne pas perdre l'équilibre.** *Vous pourrez ainsi garder le contrôle de l'outil en cas d'événement inattendu.*
- F. **Portez des vêtements adéquats. Ne portez pas de vêtements amples ni de bijoux pendants. Attachez vos cheveux et n'approchez pas les cheveux, les vêtements et les gants des pièces mobiles.** *Les vêtements amples, les bijoux pendants ou les cheveux longs peuvent se prendre dans les pièces mobiles.*
- G. **Si des dispositifs sont fournis pour l'extraction et la collecte de poussière, assurez-vous qu'ils sont connectés et utilisés correctement.** *L'utilisation de ce type de dispositifs peut réduire les risques associés aux poussières.*
- H. **N'approchez pas les pieds et les mains de la zone de coupe.**
3. **Utilisation et entretien des outils électriques**
- A. **Ne faites pas forcer l'outil électrique. Utilisez l'outil électrique correct pour la tâche à accomplir.** *Un outil électrique adapté donnera de meilleurs résultats et sera moins dangereux s'il est utilisé dans les limites prévues.*
- B. **Ne vous servez pas de l'outil électrique si l'interrupteur marche/arrêt ne permet pas de le mettre en marche et de l'arrêter correctement.** *Un outil électrique qui ne peut pas être commandé par l'interrupteur marche/arrêt est dangereux et doit être réparé.*
- C. **Débranchez l'outil de la source d'alimentation et/ou de la batterie avant d'effectuer des réglages, de changer d'accessoire ou de le ranger.** *Ces mesures de sécurité préventives réduisent le risque de démarrage accidentel de l'outil.*
- D. **Rangez les outils électriques non utilisés hors de la portée des enfants et ne confiez leur utilisation qu'à des personnes connaissant leur maniement et ayant lu ces instructions.** *Les outils électriques sont dangereux s'ils sont mis entre les mains d'utilisateurs novices.*
- E. **Rangez les outils électriques à l'intérieur lorsqu'ils ne servent pas.** *Lorsque les outils ne sont pas utilisés, rangez-les dans un local sec en hauteur ou sous clé, hors de la portée des enfants.*
- F. **Maintenez les outils électriques en état de marche. Vérifiez si des pièces sont mal alignées, grippées, cassées ou présentent tout autre défaut susceptible d'affecter le bon fonctionnement des outils électriques. S'il est endommagé, faites réparer l'outil électrique avant de l'utiliser.** *De nombreux accidents sont causés par des outils électriques en mauvais état.*
- G. **Gardez les outils de coupe propres et bien affûtés.** *Des outils de coupe entretenus correctement et bien affûtés sont moins susceptibles de coincer et sont plus faciles à contrôler.*
- H. **Utilisez l'outil électrique, les accessoires, les outils rapportés, etc., en conformité avec ces instructions et de la manière prévue pour ce type d'outil spécifique, en tenant compte des conditions de travail et de la tâche à réaliser.** *L'utilisation de l'outil électrique pour des opérations autres que celles prévues peut engendrer une situation dangereuse.*
- I. **Les déflecteurs doivent toujours être en place et en bon état.**
- J. **Utilisez exclusivement les guides et chaînes de rechange spécifiés par le fabricant.** *L'utilisation de guides et chaînes de rechange du mauvais type peut faire rompre la chaîne et/ou faire rebondir la tronçonneuse.*
- K. **Suivez les instructions d'affutage et d'entretien du fabricant de la chaîne.** *Le phénomène de rebond peut être accru si la hauteur de la jauge de profondeur diminue.*
4. **Consignes de sécurité relatives à la tronçonneuse**
- A. **Tenez l'outil uniquement par les surfaces de maintien isolées, car la chaîne de**

- la tronçonneuse peut toucher des câbles masqués ou son propre cordon d'alimentation.** *Si la chaîne entre en contact avec un câble sous tension, les pièces métalliques exposées peuvent également être mises sous tension et vous infliger un choc électrique.*
- B. **Portez des lunettes de sécurité, des protecteurs d'oreilles et un équipement de protection pour la tête, les mains, les jambes et les pieds.** *Le port de vêtements de protection adaptés réduit les risques de blessures occasionnées par la projection de débris ou un contact accidentel avec la chaîne de la tronçonneuse.*
- C. **Le tronçonnage des arbres peut être dangereux et exige une certaine expertise.** *N'utilisez pas la tronçonneuse pour abattre des arbres de diamètre supérieur à la longueur du guide-chaîne.*
- D. **N'utilisez pas la tronçonneuse lorsque vous trouvez dans un arbre.** *L'utilisation de la tronçonneuse dans un arbre peut vous exposer à des blessures.*
- E. **Travaillez toujours bien d'aplomb et n'utilisez la tronçonneuse qu'en étant en appui sur une surface fixe, stable et de niveau.** *Les surfaces glissantes ou instables, telles les échelles, peuvent vous faire perdre l'équilibre ou le contrôle de la tronçonneuse.*
- F. **Lorsque vous coupez une branche tendue, méfiez-vous de l'effet de retour.** *Lorsque les fibres de bois se détendent, la branche peut venir vous heurter et/ou vous faire perdre le contrôle de la tronçonneuse.*
- G. **Faites preuve d'une extrême prudence lorsque vous coupez des broussailles ou de jeunes arbres.** *Le bois mince peut se coincer dans la tronçonneuse et vous fouetter par retour ou vous déséquilibrer.*
- H. **Transportez la tronçonneuse arrêtée en la tenant par la poignée avant et en l'écartant du corps. Enfilez toujours le protège chaîne sur le guide-chaîne avant de transporter ou ranger la tronçonneuse.** *Le maniement correct de la tronçonneuse réduit le risque de contact accidentel avec la chaîne en marche.*
- I. **Suivez les instructions de graissage, de réglage de la tension de la chaîne et de remplacement des accessoires.** *Une chaîne mal tendue ou mal graissée peut se rompre ou augmenter le risque de rebond.*
- J. **Gardez les poignées sèches et propres, et exemptes d'huile et de graisse.** *L'huile et la graisse rendent les poignées glissantes et peuvent faire perdre le contrôle de la machine.*
- K. **Évitez les rebonds.** *Un rebond peut se produire lorsque le nez ou l'extrémité avant du guide rencontre un objet, ou lorsque le bois coince la chaîne pendant la coupe. Une brusque réaction inverse peut se produire lorsque le nez touche un objet, faisant alors rebondir le guide vers le haut et dans votre direction; si la chaîne se coince le long du haut du guide, ce dernier risque d'être renvoyé rapidement vers vous. Chacune de ces réactions peut vous faire perdre le contrôle de la tronçonneuse et causer de graves blessures. Vous pouvez éviter les rebonds en prenant les précautions adéquates suivantes :*
- **Tenez la tronçonneuse à deux mains pour l'utiliser. Tenez fermement la tronçonneuse à deux mains en entourant les poignées avec le pouce et les doigts, et en plaçant le corps et le bras de manière à résister aux forces de rebond.** *Vous pouvez contrôler les rebonds en prenant les précautions adéquates. Ne lâchez pas la tronçonneuse!*
  - **Ne vous penchez pas trop en avant et ne coupez pas au-delà de la hauteur d'épaules.** *Cela permet d'éviter un contact accidentel de l'extrémité avant et assure un meilleur contrôle de la tronçonneuse dans les situations imprévues.*
5. **Entretien**
- Confiez l'entretien de votre outil électrique à un réparateur qualifié utilisant exclusivement des pièces de rechange identiques.** *La sécurité de votre outil électrique sera ainsi maintenue.*
6. **Consignes de sécurité relatives à la batterie**
- A. *Ne chargez pas l'outil électrique sous la pluie ou dans un lieu humide.*
- B. *N'utilisez pas un outil alimenté par batterie sous la pluie.*
- C. *Utilisez le type et la taille de batterie(s) suivants : batterie Toro modèle 88540 ou 88541 et chargeur de batterie modèle 88542.*
- D. *Retirez ou débranchez la batterie avant d'effectuer un entretien, de nettoyer ou*

*d'enlever les débris déposés sur l'outil électrique.*

- E. *Ne jetez pas la batterie au feu car l'élément pourrait exploser. Vérifiez si la réglementation locale impose des procédures de mise au rebut spéciales.*
- F. *N'ouvrez pas et n'endommagez pas la batterie. L'électrolyte est corrosif et peut causer des lésions oculaires et cutanées. Son ingestion peut être toxique.*
- G. *N'ouvrez pas et n'endommagez pas la batterie. L'électrolyte libéré est inflammable et peut causer des dommages en cas d'exposition à une flamme.*
- H. *Manipulez les batteries avec précaution pour éviter de provoquer un court-circuit en cas de contact avec un conducteur comme des bagues, des bracelets et des clés. La batterie ou le conducteur peut surchauffer et causer des brûlures.*
- I. *Le temps de charge augmente si la batterie n'est pas chargée dans la plage de température adéquate.*

**CONSERVEZ CES INSTRUCTIONS**

# Autocollants de sécurité et d'instruction



Des autocollants de sécurité et des instructions bien visibles par l'opérateur sont placés près de tous les endroits potentiellement dangereux. Remplacez tout autocollant endommagé ou manquant.

**WARNING** TO REDUCE THE RISK OF INJURY, USER MUST READ INSTRUCTION MANUAL. Do not expose to rain. Use only TORO PowerPlex battery. Contact of the guide bar tip with any object should be avoided. Tip contact can cause the guide bar to move suddenly upward and backward, which can cause serious injury. Always use two hands when operating the chain saw.

**AVERTISSEMENT** POUR RÉDUIRE LES RISQUES DE BLESSURES, LISEZ ATTENTIVEMENT LE MANUEL DE L'UTILISATEUR. Ne l'exposez pas à la pluie. Utilisez uniquement avec batterie TORO PowerPlex. Évitez tout contact de l'avant de la barre de guidage avec des objets. Ce contact peut faire remonter brusquement la barre de guidage et la repousser en arrière, et causer de graves blessures. Tenez toujours la tronçonneuse à deux mains lorsque vous l'utilisez.

BAR LENGTH: 14in / LONGUEUR DU GUIDE-CHAÎNE: 350mm  
 BAR / BARRE: 88580 SAW CHAIN / TRONÇONNEUSE : 88581  
 40V MAX\* DC CLASS 2C / CLASSE 2C

Battery manufacturer rating = 40V maximum & 36V rated. Actual voltage varies with load.  
 \*Tension indiquée par le fabricant de la batterie = 40 V max., 36 V nominale. La tension réelle varie en fonction de la charge.

Country of Origin: PRC / Pays d'origine : PRC  
 Conforms to UL STD 60745-1 & 60745-2-13 Certified to CSA STD 60745-1 & 60745-2-13

PATENT: www.ttcopats.com  
 THE TORO COMPANY  
 8111 Lyndale Avenue South  
 Bloomington, MN 55420-1196 USA

Model: 51880  
 Serial Number: [REDACTED]  
 Date Code: [REDACTED]

Intertek 3131666

decal136-2469

136-2469

**WARNING** TO REDUCE THE RISK OF INJURY, USER MUST READ INSTRUCTION MANUAL. Do not expose to rain. Use only TORO PowerPlex battery. Contact of the guide bar tip with any object should be avoided. Tip contact can cause the guide bar to move suddenly upward and backward, which can cause serious injury. Always use two hands when operating the chain saw.

**AVERTISSEMENT** POUR RÉDUIRE LES RISQUES DE BLESSURES, LISEZ ATTENTIVEMENT LE MANUEL DE L'UTILISATEUR. Ne l'exposez pas à la pluie. Utilisez uniquement avec batterie TORO PowerPlex. Évitez tout contact de l'avant de la barre de guidage avec des objets. Ce contact peut faire remonter brusquement la barre de guidage et la repousser en arrière, et causer de graves blessures. Tenez toujours la tronçonneuse à deux mains lorsque vous l'utilisez.

BAR LENGTH: 14in / LONGUEUR DU GUIDE-CHAÎNE: 350mm  
 BAR / BARRE: 88580 SAW CHAIN / TRONÇONNEUSE : 88581  
 40V MAX\* DC CLASS 2C / CLASSE 2C

Battery manufacturer rating = 40V maximum & 36V rated. Actual voltage varies with load.  
 \*Tension indiquée par le fabricant de la batterie = 40 V max., 36 V nominale. La tension réelle varie en fonction de la charge.

Country of Origin: PRC / Pays d'origine : PRC  
 Conforms to UL STD 60745-1 & 60745-2-13 Certified to CSA STD 60745-1 & 60745-2-13

PATENT: www.ttcopats.com  
 THE TORO COMPANY  
 8111 Lyndale Avenue South  
 Bloomington, MN 55420-1196 USA

Model: 51880T  
 Serial Number: [REDACTED]  
 Date Code: [REDACTED]

Intertek 3131666

decal136-2470

136-2470

**WARNING** To reduce the risk of injury, user must read the instruction manual. Use only with TORO PowerPlex battery charger. Wear eye protection. Do not short terminals. Do not throw into fire. Risk of fire, explosion and burns. Do not disassemble, crush, expose to heat or moisture. Keep battery out of reach of children. To reduce risk of injury to persons, remove battery pack when not in use.

**AVERTISSEMENT** Pour réduire le risque de blessures, l'utilisateur doit lire le manuel d'utilisation. Utilisez uniquement avec chargeur de batterie TORO PowerPlex. Portez des lunettes de protection. Ne pas démonter, écraser, exposer à une température au-dessus ou en dessous de la température ambiante. Évitez l'exposition à la chaleur et à l'humidité. Conservez la batterie hors de portée des enfants. Pour réduire les risques de blessures corporelles, retirez l'ensemble batterie quand la machine ne sert pas.

TORO 40V MAX\* DC 90 Wh  
 Li-Ion Battery / Batterie au lithium-ion  
 \*Battery manufacturer rating = 40V maximum & 36V nominal. Actual voltage varies with load.  
 \*Tension indiquée par le fabricant de la batterie = 40 V max., 36 V nominale. La tension réelle varie en fonction de la charge.

Country of Origin: PRC / Pays d'origine : PRC  
 Conforms to UL STD 60745-1 & 60745-2-13 Certified to CSA STD 60745-1 & 60745-2-13

PATENT: www.ttcopats.com

Model: 88540  
 Serial Number: [REDACTED]  
 Date Code: [REDACTED]

Intertek 3131666

decal136-2471

136-2471

Modèle 88540

**TORO**

LITHIUM-ION BATTERY CHARGER  
 CHARGEUR DE BATTERIE LITHIUM-ION  
 Input: 100-120V AC 50/60Hz Max 3.0A  
 Output: 41.8V MAX\* DC 2.5A

\*Battery manufacturer rating = 40V maximum & 36V nominal. Actual voltage varies with load.  
 \*Tension indiquée par le fabricant de la batterie = 40 V max., 36 V nominale. La tension réelle varie en fonction de la charge.

Backfeed Protection / Protection contre le retour d'énergie

**CAUTION** To reduce the risk of injury, user must read the instruction manual. Charge only TORO PowerPlex type rechargeable battery. Other types of batteries may burst causing personal injury and damage. Risk of electric shock. Do not expose to liquid, vapor, or rain. Do not interconnect output terminal. For indoor use only.

**ATTENTION** Pour réduire le risque de blessures, l'utilisateur doit lire le manuel d'utilisation. Utilisez uniquement pour les batteries rechargeables type TORO PowerPlex. D'autres types de batteries pourraient exploser et causer des blessures ou des dommages. Risque de décharge électrique. Ne pas exposer à des liquides, à la vapeur ou à la pluie. Ne pas interconnecter la borne de sortie. Pour usage intérieur uniquement.

Country of Origin: PRC / Pays d'origine : PRC  
 Conforms to UL STD 1012 Certified to CSA STD C22.2 No. 107.2-01

THE TORO COMPANY  
 8111 Lyndale Avenue South  
 Bloomington, MN 55420-1196 USA  
 PATENT: www.ttcopats.com

Model: 88542 SL  
 Serial Number: [REDACTED]  
 Date Code: [REDACTED]

Intertek 3131666

BC FC

decal136-2473

136-2473



decal136-2475

136-2475

1. Lisez le *Manuel de l'utilisateur*; portez une protection auditive et oculaire; ne touchez pas d'objets avec l'extrémité du guide; tout contact avec l'extrémité du guide peut causer de graves blessures; utilisez toujours la tronçonneuse à deux mains.

**POWERPLEX™ 40V MAX LITHIUM**

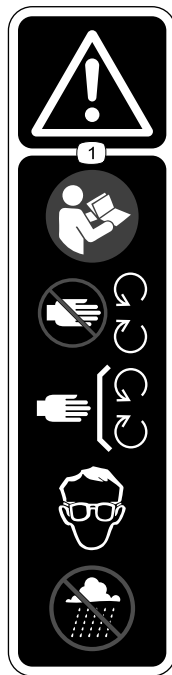
CHARGING PROCEDURE (LED INDICATOR) / PROCÉDURE DE CHARGEMENT (VOYANT DEL)  
 DO NOT REMOVE THIS DECAL / NE PAS RETIRER CET AUTOCOLLANT

1. [Battery icon with arrow] 2. [100% icon] 3. [Battery icon with lightning bolt] 4. [Lightning bolt icon]

decal136-2476

136-2476

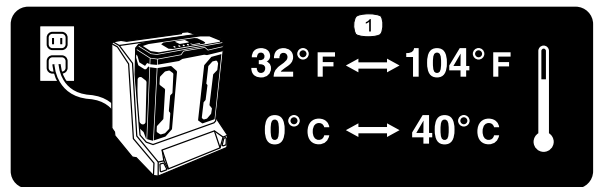
1. La batterie est en charge.
2. La batterie est complètement chargée.
3. La batterie est trop chaude.
4. Remplacez la batterie.



136-2533

decal136-2533

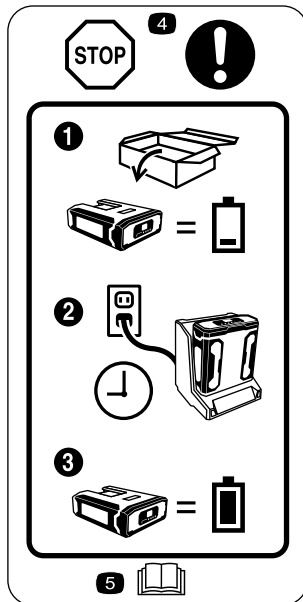
1. Attention – lisez le *manuel de l'utilisateur*; n'approchez pas des pièces en mouvement; laissez toutes les protections et capots en place; protégez-vous les yeux; n'utilisez pas l'appareil par temps humide.



decal136-2539

136-2539

1. Chargez la batterie à une température ambiante comprise entre 0 °C et 40 °C (32 °F et 104 °F).



decal136-2534

136-2534

1. La batterie n'est pas chargée au départ.
2. Placez la batterie dans le chargeur de batterie.
3. Attendez que la batterie soit complètement chargée avant la première utilisation.
4. Stop – suivez ces instructions avant la première utilisation.
5. Lisez le *Manuel de l'utilisateur*.

# Mise en service

**Remarque:** Quand vous l'achetez, la batterie n'est pas complètement chargée. Avant la toute première utilisation de l'outil, voir [Charge de la batterie \(page 16\)](#).

## Remplissage de la tronçonneuse avec de l'huile pour guide-chaîne et chaîne

**Important:** Utilisez uniquement de l'huile pour guide et chaîne (vendue séparément).

1. Placez la tronçonneuse sur une surface plane et horizontale.
2. Nettoyez la surface autour du bouchon d'huile ([Figure 1](#)).

**Remarque:** Veillez à ne pas faire tomber de débris/copeaux de bois dans le réservoir d'huile.

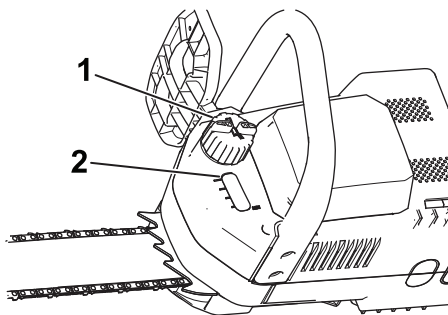


Figure 1

g192110

1. Bouchon d'huile
2. Regard de niveau d'huile

3. Enlevez le bouchon et versez de l'huile dans la tronçonneuse jusqu'à ce qu'elle arrive en haut du regard de niveau ([Figure 1](#)).

Le niveau d'huile ne doit pas dépasser la base du goulot de remplissage.

4. Nettoyez les coulées d'huile éventuelles et remettez le bouchon en place.

## Montage du chargeur de batterie (option)

Si vous le souhaitez, fixez le chargeur de batterie solidement à un mur à l'aide des fentes de fixation murale situées au dos.

Montez-le à l'intérieur (par exemple dans un garage ou tout autre endroit à l'abri de l'humidité), à proximité

d'une prise de courant et hors de la portée des enfants.

Pour vous aider à monter le chargeur, reportez-vous à la [Figure 2](#).

**Remarque:** Pour fixer le chargeur en place, insérez-le et faites-le pivoter sur les fixations correctement installées (fixations non incluses).

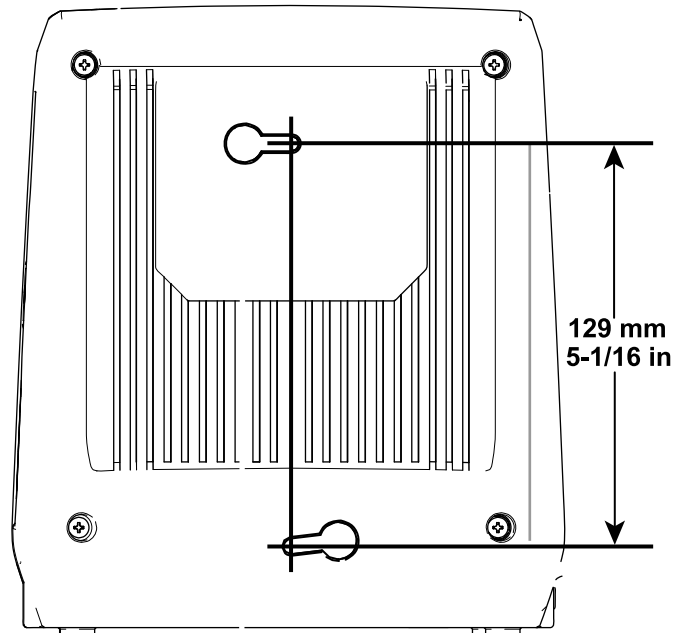
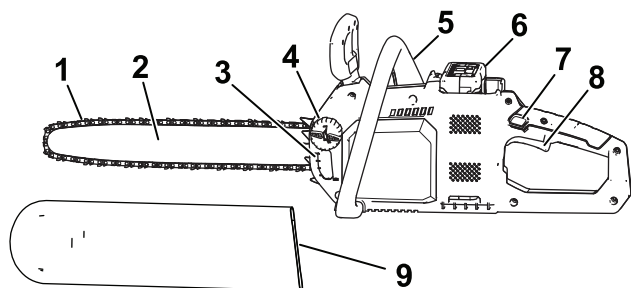


Figure 2

g194202



# Vue d'ensemble du produit

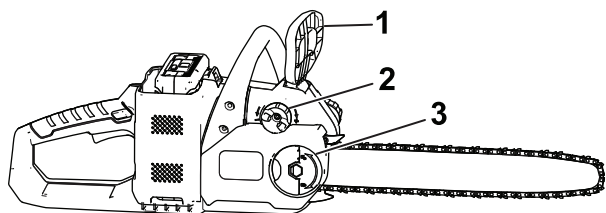


g192115

**Figure 3**

Côté gauche de la tronçonneuse

- |                             |                                   |
|-----------------------------|-----------------------------------|
| 1. Chaîne                   | 6. Batterie                       |
| 2. Guide-chaîne             | 7. Verrou de gâchette             |
| 3. Regard de niveau d'huile | 8. Gâchette (sur poignée arrière) |
| 4. Bouchon d'huile          | 9. Protège-chaîne                 |
| 5. Poignée avant            |                                   |



g192114

**Figure 4**

Côté droit de la tronçonneuse

- |                                              |                     |
|----------------------------------------------|---------------------|
| 1. Frein de chaîne                           | 3. Écrou à oreilles |
| 2. Bouton de réglage de tension de la chaîne |                     |

## Caractéristiques techniques

### Plages de température adéquates

Charger la batterie entre	0 °C (32 °F) et 40 °C (104 °F)*
Utiliser les produits entre	-15 °C (5 °F) et 60 °C (140 °F)
Remiser les produits entre	-15 °C (5 °F) et 60 °C (140 °F)
Débrancher le chargeur	au-dessous de 0 °C (-32 °F) ou au-dessus de 40 °C (104 °F)

\*Le temps de charge sera plus long en dehors de cette plage de température.

Rangez l'outil, la batterie et le chargeur dans un lieu fermé, propre et sec.

# Utilisation

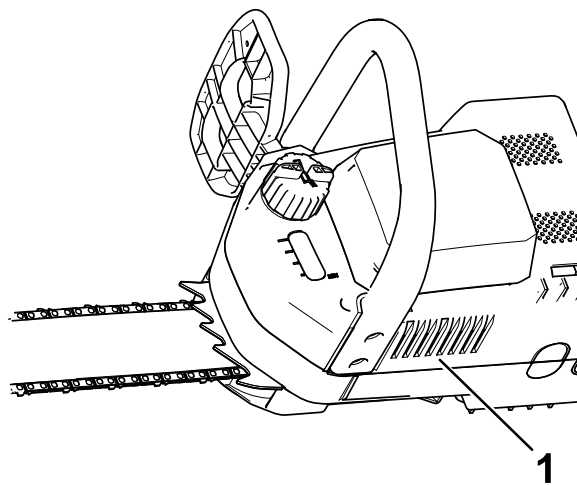
## Avant d'utiliser la tronçonneuse

Avant d'utiliser la tronçonneuse, effectuez la procédure suivante :

- Contrôlez la tension de la chaîne; voir [Réglage de la tension de la chaîne \(page 19\)](#).
- Nettoyez les composants de la chaîne, vérifiez qu'ils ne sont pas excessivement usés ou endommagés et remplacez-les au besoin; voir [Entretien du guide, de la chaîne et du pignon d'entraînement \(page 20\)](#) et [Affûtage de la chaîne \(page 21\)](#).
- Vérifiez le niveau d'huile; voir [Contrôle du niveau d'huile et appoint d'huile pour guide-chaîne et chaîne \(page 18\)](#).
- Contrôlez le frein de chaîne; voir [Contrôle du frein de chaîne \(page 19\)](#).

## Démarrage de la tronçonneuse

1. Assurez-vous que les événements sur la tronçonneuse ([Figure 5](#) et [Figure 6](#)) sont exempts de poussière et de débris.



g197204

**Figure 5**

1. Événement

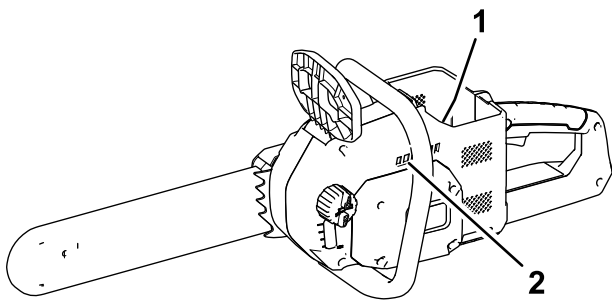


Figure 6

g197205

1. Événement (dans le logement de la batterie)
2. Événement

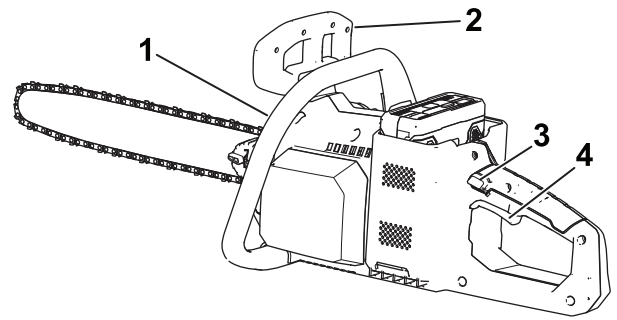


Figure 9

g192113

1. Poignée avant
2. Frein de chaîne
3. Verrou de gâchette
4. Gâchette

2. Placez la tronçonneuse sur une surface plane et horizontale.
3. Alignez la languette de la batterie sur le logement dans la tronçonneuse (Figure 7).

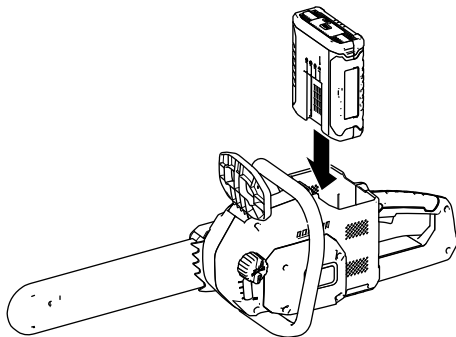


Figure 7

g228731

4. Insérez la batterie dans le logement jusqu'à ce qu'elle s'enclenche en place.
5. Enlevez le couvercle de protection de la chaîne.
6. Vérifiez que le frein de chaîne est en position de MARCHE (Figure 8).

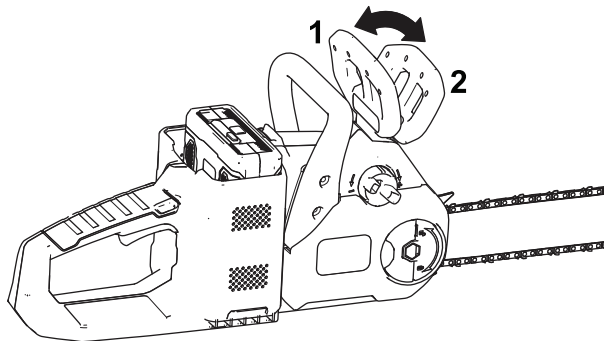


Figure 8

g192111

1. Frein de chaîne (position de MARCHE)
2. Frein de chaîne (position d'ARRÊT)

7. Tenez la poignée avant d'une main et la poignée arrière de l'autre, appuyez sur le verrou de gâchette puis serrez la gâchette (Figure 9).

## Arrêt de la tronçonneuse

Pour arrêter la tronçonneuse, relâchez la gâchette.

Quand vous n'utilisez pas la tronçonneuse ou que vous la transportez vers ou depuis la zone de travail, placez le frein de chaîne à la position d'ARRÊT (Figure 8) puis retirez la batterie.

## Scier avec la tronçonneuse

### ⚠ ATTENTION

La mauvaise utilisation d'une tronçonneuse peut causer des blessures graves, voire mortelles.

Lisez attentivement et respectez toutes les instructions d'utilisation pour éviter de vous blesser.

### ⚠ ATTENTION

Les rebonds peuvent vous blesser gravement ou mortellement.

Contrôlez toujours le bon fonctionnement du frein de chaîne avant d'utiliser la tronçonneuse.

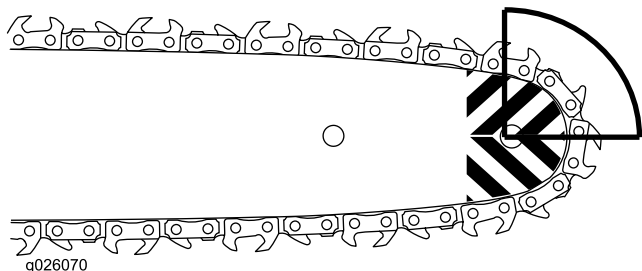
Évitez de toucher la pièce que vous voulez scier avec l'extrémité de la tronçonneuse.

Il existe deux types de rebond :

- Un déplacement rapide **vers le haut** de la tronçonneuse qui se produit quand le nez ou le haut du guide-chaîne entre en contact avec un objet.
- Un déplacement rapide **vers l'arrière** de la tronçonneuse qui se produit quand le nez ou le

haut du guide-chaîne est pincé dans l'objet que vous sciez.

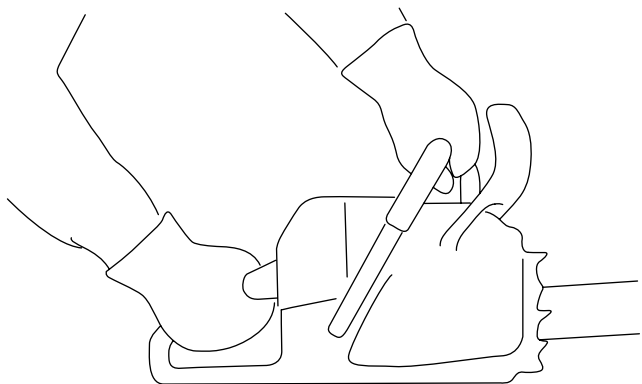
La **Figure 10** montre la partie du guide-chaîne qui ne doit pas entrer en contact avec un objet pour éviter un rebond.



**Figure 10**

1. Tenez fermement la tronçonneuse à deux mains, la main gauche sur la poignée avant et la main droite sur la poignée arrière, comme montré à la **Figure 11**.

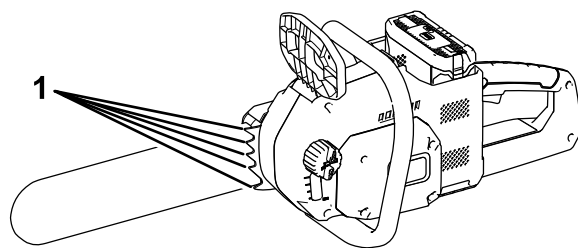
**Remarque:** Gardez le bras gauche tendu en bloquant le coude pour réduire le rebond.



**Figure 11**

2. Tenez-vous du côté gauche de la tronçonneuse, non pas directement dans l'axe de la chaîne, et placez les pieds de manière à bien vous caler et à garder votre équilibre.
3. Tenez vous sur une surface stable et de niveau devant le bois que vous voulez couper.
4. Pendant le sciage, la pièce de bois doit rester près de la tête de la tronçonneuse, au niveau de l'extrémité exposée la plus proche du guide-chaîne.

Vous pouvez utiliser les dents de tronçonnage (**Figure 12**) pour accroître la pression, mais de meilleurs résultats sont obtenus avec une chaîne dentée bien affûtée.



**Figure 12**

1. Dents de tronçonnage

5. Appuyez la tronçonneuse légèrement contre le bois et laissez son poids commander la coupe.
6. Maintenez une pression régulière sur la tronçonneuse pendant la durée de la coupe, et ne la relâchez que vers la fin.

## Élagage d'un arbre

### ⚠ ATTENTION

L'élagage des branches hautes d'un arbre peut vous placer dans une position instable et potentiellement dangereuse pendant le maniement d'une tronçonneuse et causer des blessures graves ou mortelles à vous même ou à des personnes à proximité.

Lorsque vous élaguez un arbre debout, utilisez les pratiques suivantes :

- Ne grimpez pas sur les branches en tenant une tronçonneuse.
- Ne vous penchez pas trop en avant et coupez en tenant la tronçonneuse à deux mains.
- Veillez à éloigner toutes les personnes de la zone de chute des branches.

1. Tenez fermement la tronçonneuse comme montré à la **Figure 11**.
2. Pour scier les petites branches, exercez une légère pression dessus.
3. Pour les branches de plus gros diamètre, pratiquez une entaille peu profonde sous la branche, puis terminez la coupe par le dessus de la branche.
  - A. Coupez par le dessous de la branche à environ 15 cm (6 po) du tronc. Coupez un tiers de l'épaisseur de la branche.
  - B. Coupez de 5 à 10 cm (2 à 4 po) plus loin sur la branche et par le dessus. Sciez la branche jusqu'à ce qu'elle tombe.

- C. Coupez environ un tiers du diamètre du moignon par dessous et aussi près du tronc que possible.
- D. Coupez le moignon par dessus de sorte à rejoindre l'entaille précédente, aussi près du tronc que possible.

## Abattage d'un arbre

### ⚠ ATTENTION

L'abattage des arbres exige de l'expertise et présente des risques.

- Avant d'essayer d'abattre un gros arbre, entraînez-vous sur quelques branches ou petits rondins pour vous familiariser avec le maniement de la tronçonneuse.
- N'utilisez pas cette tronçonneuse pour abattre des arbres dont le diamètre est supérieur à la longueur du guide-chaîne.

La posture correcte à adopter pour abattre un arbre est illustrée à la [Figure 13](#).

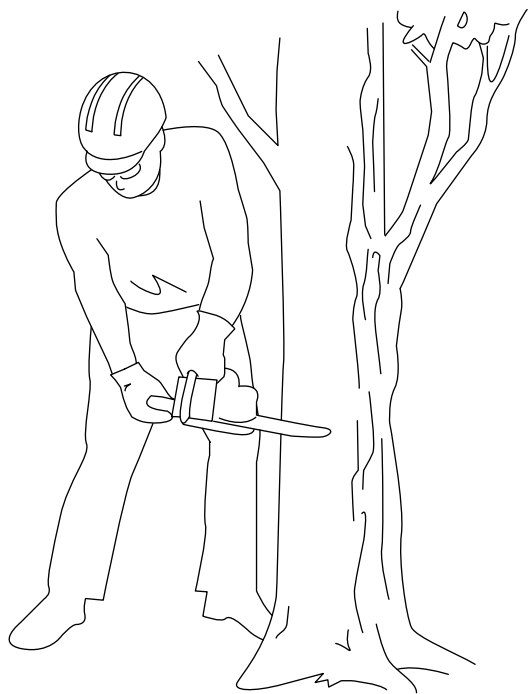
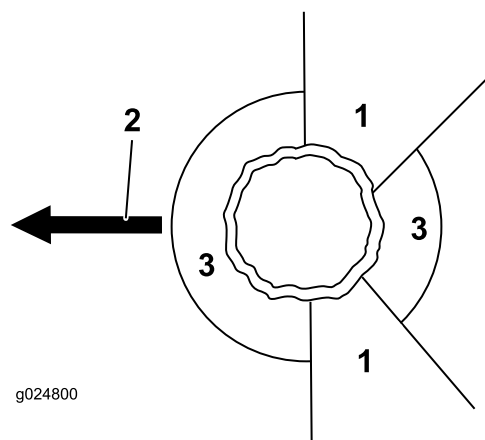


Figure 13

g195831



g024800

Figure 14

g024800

- 1. Voie de repli
- 2. Angle de 45 degrés
- 3. Zone dangereuse

- 3. Tenez fermement la tronçonneuse comme montré à la [Figure 11](#).
- 4. Commencez par couper le tiers du diamètre de l'arbre, du côté où vous voulez qu'il tombe [\(Figure 15\)](#).

**Remarque:** Cette première coupe évite à la tronçonneuse de se coincer pendant que vous pratiquez la coupe suivante.

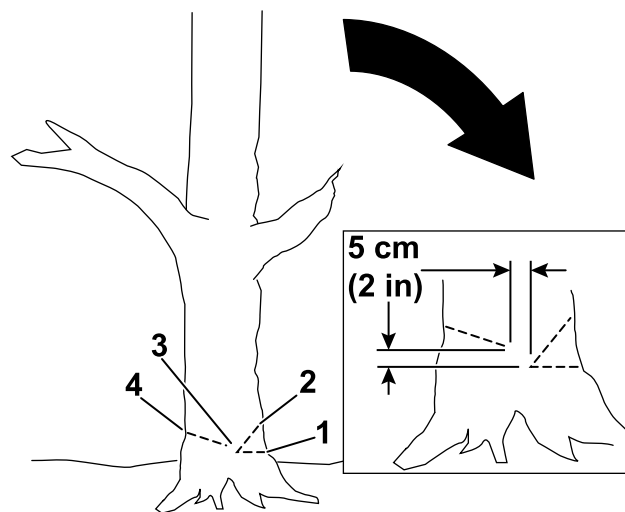


Figure 15

g228707

- 1. Première coupe
- 2. Deuxième coupe
- 3. Charnière
- 4. Trait d'abattage

- 1. Déterminez la direction de chute de l'arbre. Tenez compte de la direction du vent, de la présence éventuelle de branches plus lourdes d'un côté et de l'inclinaison naturelle possible de l'arbre.
- 2. Prévoyez une voie de repli dégagée et sûre à partir de la zone dangereuse; voir [Figure 14](#).

- 5. Faites une deuxième coupe oblique pour former une encoche, en commençant au moins 5 cm (2 po) au-dessus de la première coupe [\(Figure 15\)](#).
- 6. Faites le trait d'abattage du côté opposé à l'encoche et environ 5 cm (2 po) plus haut que le bas de l'encoche, comme montré à la [Figure 15](#).

**Important:** Arrêtez la troisième coupe 2,5 à 5 cm (1 à 2 po) avant l'encoche pour former une charnière entre les coupes (**Figure 15**), ce qui empêche l'arbre de tomber dans la mauvaise direction ou de pivoter dans sa chute.

**Remarque:** Quand le trait d'abattage approche de la charnière (**Figure 15**), l'arbre devrait commencer à tomber.

7. Quand l'arbre commence à tomber, retirez la tronçonneuse, arrêtez-la, posez-la et reculez le long de la voie de repli établie à l'étape 2.

**Important:** Si l'arbre commence à tomber dans le mauvais sens, cessez immédiatement de couper, arrêtez la tronçonneuse, posez-la et placez un coin dans l'encoche, puis poussez l'arbre dans la direction voulue.

# Ébranchage d'un arbre abattu

1. Tenez fermement la tronçonneuse comme montré à la [Figure 11](#).
2. Coupez les petites branches qui ne supportent pas le poids de l'arbre au-dessus du sol.

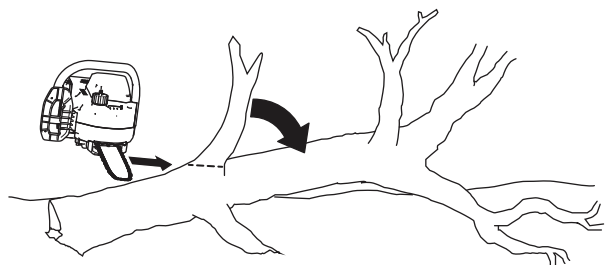


Figure 16

g194824

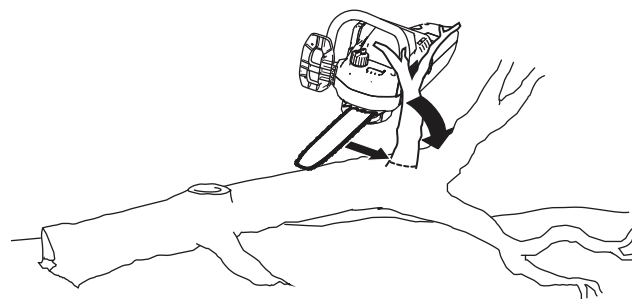


Figure 17

g194825

3. Coupez les grosses branches qui supportent le poids de l'arbre en procédant de bas en haut pour éviter que les branches pincement la lame ([Figure 18](#)).

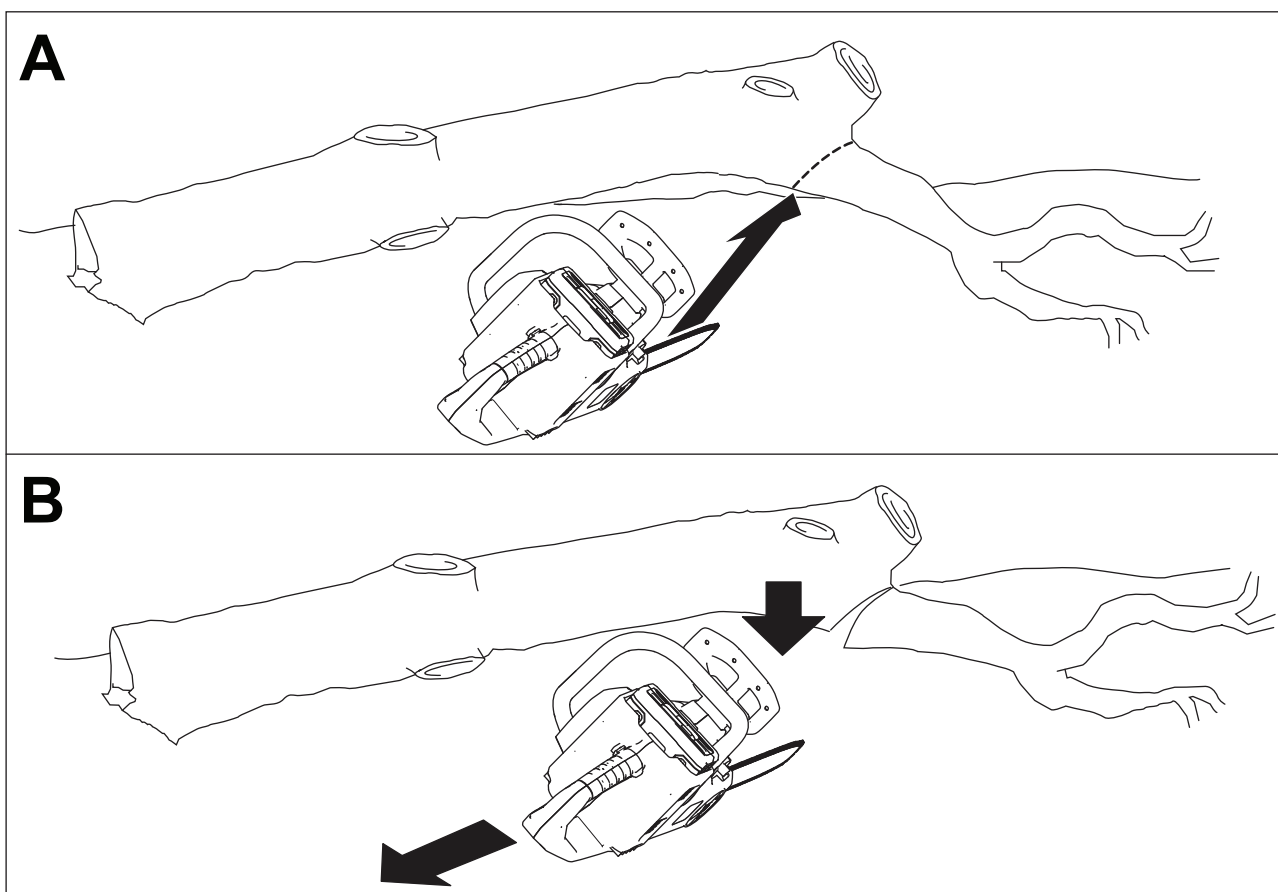


Figure 18

g194822

# Tronçonnage

- Si vous sciez les branches d'un arbre abattu ou que vous tronçonnez des billes, soutenez la bille au-dessus du sol (de préférence sur un chevalet); voir [Figure 19](#).

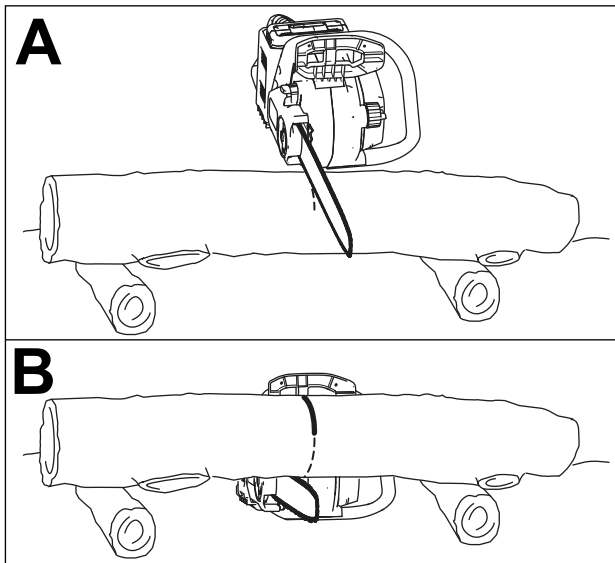


Figure 19

g194820

- Si la bille est soutenue à une extrémité, sciez-la en partant du haut. Si la tronçonneuse se coince dans l'entaille, n'essayez pas de la dégager en faisant tourner le moteur. Arrêtez la tronçonneuse, puis insérez un coin dans l'entaille pour l'ouvrir et pouvoir ainsi dégager la lame.
- Si la bille est soutenue aux deux extrémités, commencez par le haut et sciez-la au tiers environ ([Figure 19A](#)). Faites une seconde entaille par le dessous pour rejoindre la première ([Figure 19B](#)). Cela évite à la lame de rester coincée dans la bille.
- Si la bille est soutenue sur toute sa longueur, sciez-la entièrement en commençant par le haut.
- Si la bille est soutenue aux deux extrémités mais pas en son centre, sciez un tiers du diamètre en partant du haut, puis continuez à partir du bas ou faites rouler la bille pour rencontrer la première coupe ([Figure 20](#)).

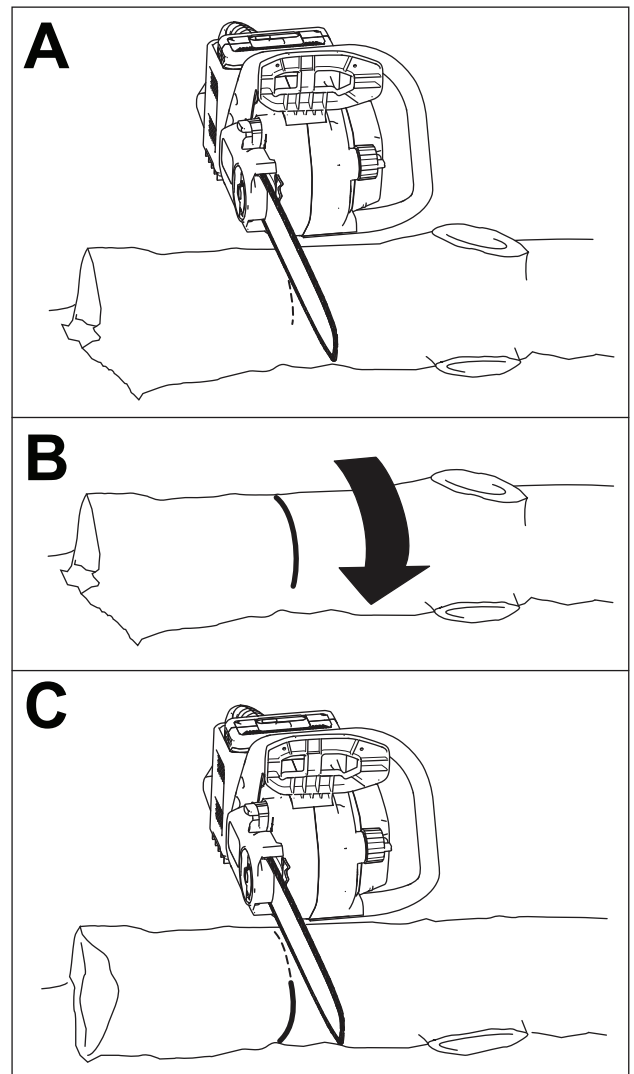
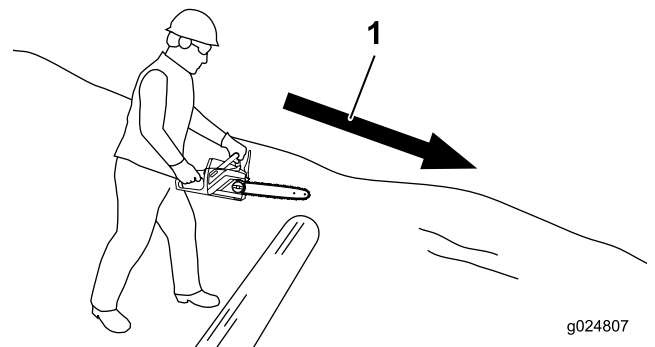


Figure 20

g194819

- Si la bûche se trouve sur une pente, tenez-vous toujours en amont de la bûche ([Figure 21](#)).



g024807

Figure 21

g024807

1. Sens de la pente



## Retrait de la batterie

1. Placez la tronçonneuse sur une surface plane et horizontale.
2. Appuyez sur la languette pour sortir la batterie de son logement.

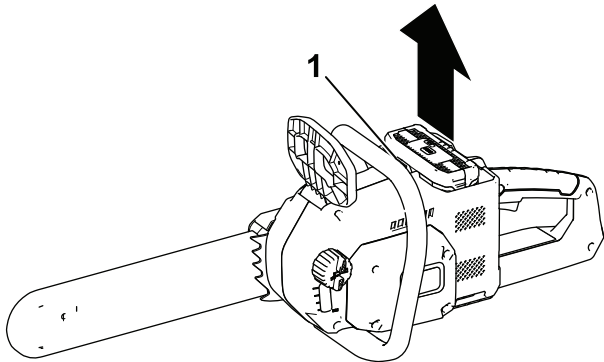
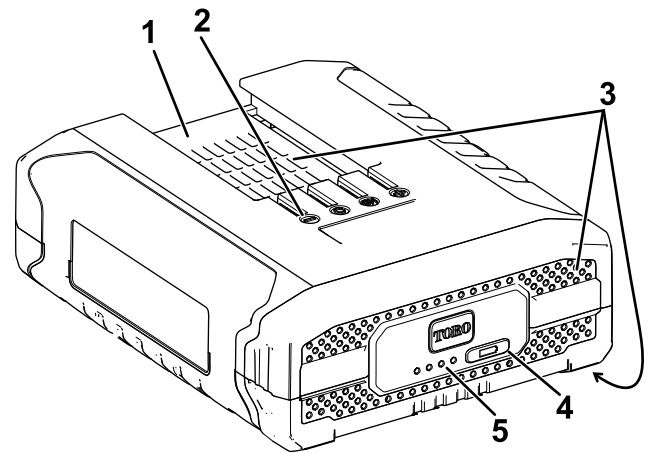


Figure 22

g192109

1. Languette



g228487

Figure 23

1. Creux de la batterie
2. Bornes de la batterie
3. Événements de la batterie
4. Bouton indicateur de charge
5. Diodes (charge actuelle)

## Charge de la batterie

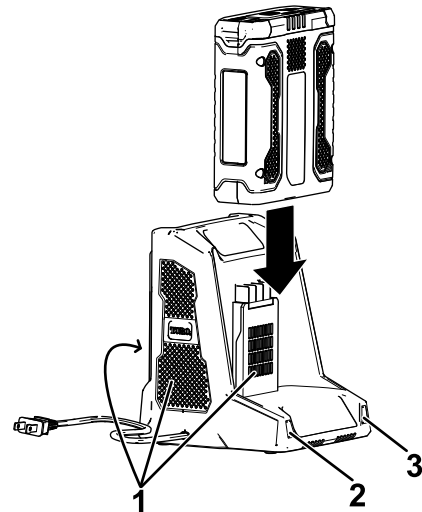
**Important:** Lisez toutes les consignes de sécurité.

**Important:** Chargez la batterie uniquement à des températures comprises dans la plage adéquate; voir [Caractéristiques techniques \(page 9\)](#).

**Remarque:** À tout moment, appuyez sur le bouton indicateur de charge de la batterie pour afficher la charge actuelle (diodes).

1. Assurez-vous que les événements de la batterie sont exempts de toute poussière et tout débris.
2. Alignez le creux de la batterie ([Figure 23](#)) sur la languette du chargeur.

3. Assurez-vous que les événements sur le chargeur de batterie sont exempts de toute poussière et tout débris.
4. Glissez la batterie dans le chargeur jusqu'à ce qu'elle soit bien enclenchée ([Figure 24](#)).



g194423

Figure 24

1. Événements du chargeur
2. Voyant gauche
3. Voyant droit

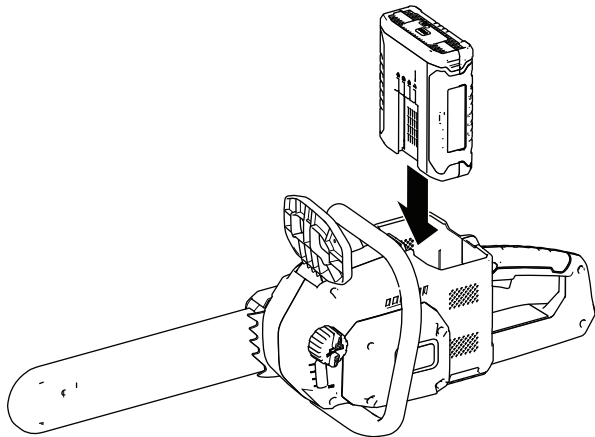
5. Pour retirer la batterie, faites-la glisser hors du chargeur.
6. Reportez-vous au tableau ci-dessous pour interpréter les indications des diodes sur le chargeur de batterie.



Voyant gauche	Voyant droit	Indique :
Éteint	Rouge	Le chargeur est en marche; aucune batterie n'est insérée
Rouge	Rouge	La batterie est en charge
Vert	Rouge	La batterie est chargée
Orange	Rouge	La batterie est trop chaude
Rouge clignotant	Rouge	Remplacez la batterie

## Mise en place de la batterie

1. Placez la tronçonneuse sur une surface plane et horizontale.
2. Alignez la languette de la batterie sur le logement dans la tronçonneuse (Figure 25).



**Figure 25**

g192108

3. Insérez la batterie dans le logement jusqu'à ce qu'elle s'enclenche en place.

# Entretien

## Programme d'entretien recommandé

Périodicité d'entretien	Procédure d'entretien
À chaque utilisation ou une fois par jour	<ul style="list-style-type: none"><li>• Contrôlez le niveau d'huile et faites l'appoint d'huile pour guide-chaîne et chaîne au besoin.</li><li>• Contrôle du frein de chaîne.</li><li>• Vérifiez et réglez la tension de la chaîne au besoin.</li><li>• Contrôlez le tranchant des dents de la chaîne; demandez à un dépositaire-réparateur agréé d'affûter ou de remplacer la chaîne.</li></ul>
Après chaque cycle de décharge de la batterie	<ul style="list-style-type: none"><li>• Contrôlez le niveau d'huile et faites l'appoint d'huile pour guide-chaîne et chaîne au besoin.</li><li>• Contrôle du frein de chaîne.</li><li>• Vérifiez et réglez la tension de la chaîne au besoin.</li></ul>
Une fois par an ou avant le remisage	<ul style="list-style-type: none"><li>• Faites l'entretien du guide, de la chaîne et du pignon d'entraînement.</li><li>• Contrôlez le tranchant des dents de la chaîne; demandez à un dépositaire-réparateur agréé d'affûter ou de remplacer la chaîne.</li></ul>

## Contrôle du niveau d'huile et appoint d'huile pour guide-chaîne et chaîne

**Périodicité des entretiens:** À chaque utilisation ou une fois par jour

Après chaque cycle de décharge de la batterie

1. Placez la tronçonneuse sur une surface plane et horizontale, et retirez la batterie; voir [Retrait de la batterie \(page 16\)](#).
2. Vérifiez le niveau d'huile par le regard. Si vous ne voyez pas d'huile dans le regard, faites l'appoint avec de l'huile pour guide-chaîne et chaîne ([Figure 26](#)).

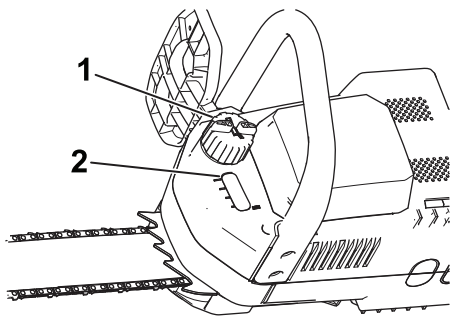


Figure 26

g192110

1. Bouchon d'huile
2. Regard de niveau

3. Nettoyez la surface autour du bouchon d'huile ([Figure 26](#)).

**Remarque:** Veillez à ne pas faire tomber de débris/copeaux de bois dans le réservoir d'huile.

4. Enlevez le bouchon et versez de l'huile dans la tronçonneuse jusqu'à ce qu'elle arrive en haut du regard de niveau ([Figure 26](#)).

**Remarque:** Le niveau d'huile ne doit pas dépasser la base du goulot de remplissage.

5. Nettoyez les coulées d'huile éventuelles et remettez le bouchon en place.

# Contrôle du frein de chaîne

**Périodicité des entretiens:** À chaque utilisation ou une fois par jour

Après chaque cycle de décharge de la batterie

1. Placez la tronçonneuse sur une surface plane et horizontale, et retirez la batterie; voir [Retrait de la batterie \(page 16\)](#).
2. Engagez le frein de chaîne en l'actionnant vers avant, à la position d'ARRÊT ([Figure 27](#)).

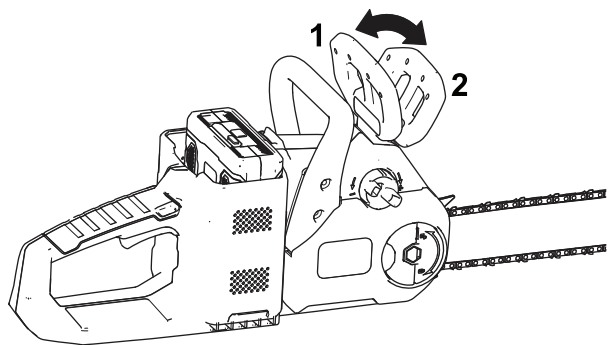


Figure 27

g192111

1. Frein de chaîne (position de MARCHÉ)
2. Frein de chaîne (position d'ARRÊT)

3. Saisissez la chaîne de votre main gantée et essayez de la faire tourner autour du guide; la chaîne ne devrait pas tourner. Si elle tourne, portez la tronçonneuse chez un dépositaire-réparateur agréé pour la faire réparer.
4. Désengagez le frein de chaîne en l'actionnant vers l'arrière à la position MARCHÉ ([Figure 27](#)).
5. Saisissez la chaîne de votre main gantée et essayez de la faire tourner autour du guide; la chaîne devrait tourner. Si elle ne tourne pas, portez la tronçonneuse chez un dépositaire-réparateur agréé pour la faire réparer.

# Réglage de la tension de la chaîne

**Périodicité des entretiens:** À chaque utilisation ou une fois par jour

Après chaque cycle de décharge de la batterie

Vérifiez que la chaîne est correctement tendue. Une chaîne détendue réduit la vie utile du pignon d'entraînement et du guide-chaîne, et risque de se rompre. Une chaîne trop tendue fait surchauffer le guide-chaîne et la chaîne, entraînant une usure rapide et un grillage potentiel du moteur. Contrôlez aussi la

tension de la chaîne après quelques coupes. Une chaîne neuve a tendance à se détendre et exige un réglage après la première utilisation.

La chaîne est correctement tendue quand vous pouvez la faire tourner librement autour du guide en la tirant de votre main gantée. La chaîne doit rester en contact avec le bord inférieur du guide.

## ⚠ DANGER

**Tout contact avec les dents de la chaîne de la tronçonneuse peut causer de graves blessures.**

- Retirez la batterie avant tout réglage ou entretien de la tronçonneuse.
- Portez toujours des gants pour régler ou faire l'entretien de la tronçonneuse.

1. Placez la tronçonneuse sur une surface plane et horizontale, et retirez la batterie; voir [Retrait de la batterie \(page 16\)](#).
2. Dépliez la languette de l'écrou à oreilles et desserrez, mais ne retirez pas, l'écrou du couvercle ([Figure 27](#)).
3. Tenez le guide-chaîne par son extrémité ([Figure 28](#)).

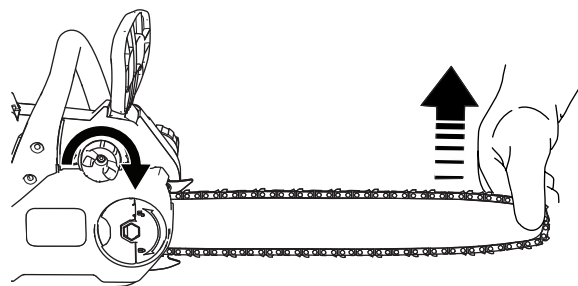


Figure 28

g192117

4. Réglez la chaîne.
  - **Pour tendre la chaîne**, tournez le bouton de réglage de la tension dans le sens horaire.
  - **Pour détendre la chaîne**, tournez le bouton de réglage de la tension dans le sens antihoraire.

Réglez la chaîne jusqu'à ce qu'elle touche le bord inférieur du guide, puis serrez le bouton de  $\frac{1}{8}$  à  $\frac{1}{4}$  de tour supplémentaire.

5. Vissez l'écrou à oreilles jusqu'à ce qu'il soit bien serré, puis repliez la languette ([Figure 29](#)).
6. Contrôlez la tension de la chaîne; si la chaîne est détendue, répétez cette procédure.

# Entretien du guide, de la chaîne et du pignon d'entraînement

Périodicité des entretiens: Une fois par an ou avant le remisage

## ▲ DANGER

Tout contact avec les dents de la chaîne de la tronçonneuse peut causer de graves blessures.

- Retirez la batterie avant tout réglage ou entretien de la tronçonneuse.
- Portez toujours des gants pour régler ou faire l'entretien de la tronçonneuse.

1. Placez la tronçonneuse sur une surface plane et horizontale, et retirez la batterie; voir [Retrait de la batterie \(page 16\)](#).
2. Dépliez la languette de l'écrou à oreilles qui fixe le couvercle ([Figure 29](#)), et retirez l'écrou.

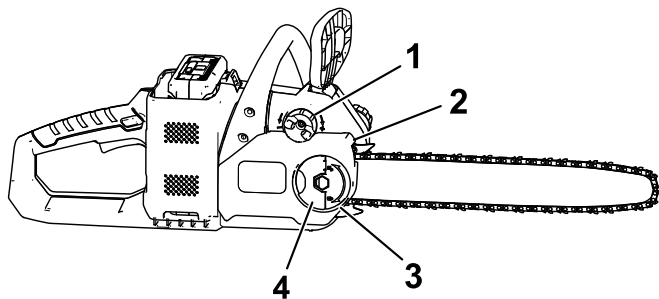


Figure 29

g228710

1. Bouton de réglage de tension de la chaîne
  2. Couvercle
  3. Écrou à oreilles
  4. Languette d'écrou à oreilles
3. Détendez la chaîne en tournant la vis de tension dans le sens antihoraire ([Figure 29](#)).
  4. Enlevez la chaîne du guide et mettez-les de côté.
  5. Déposez le clip, l'entretoise et le pignon d'entraînement de la tronçonneuse ([Figure 30](#)).

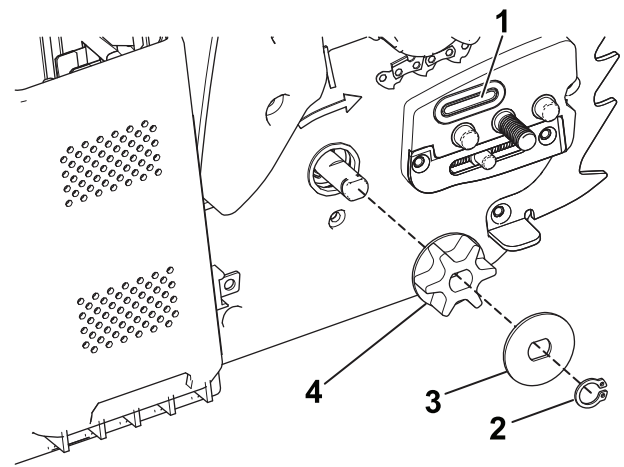


Figure 30

g192116

1. Passage d'huile
2. Clip
3. Entretoise
4. Pignon d'entraînement

6. Examinez le pignon d'entraînement et remplacez-le s'il est excessivement utilisé ou endommagé.
7. Contrôlez le passage d'huile ([Figure 30](#)) et enlevez les débris éventuellement présents.
8. Remettez le pignon d'entraînement, l'entretoise et le clip.
9. Nettoyez le guide-chaîne et la chaîne; utilisez du fil de fer ou un petit tournevis à lame plate pour enlever la saleté et les débris accumulés dans la rainure, le long du bord du guide, en commençant par le pignon avant et en continuant vers l'arrière.

Si le guide-chaîne ou les rainures sont endommagés, ou si le pignon avant ne tourne pas librement, remplacez le guide; remplacez la chaîne si elle est excessivement utilisée ou endommagée.

10. Placez la chaîne autour du pignon d'entraînement à l'extrémité avant du guide-chaîne, **en orientant vers l'avant le bord coupant des dents au sommet du guide**, comme montré sur le schéma figurant sur le côté de la tronçonneuse ([Figure 31C](#)).

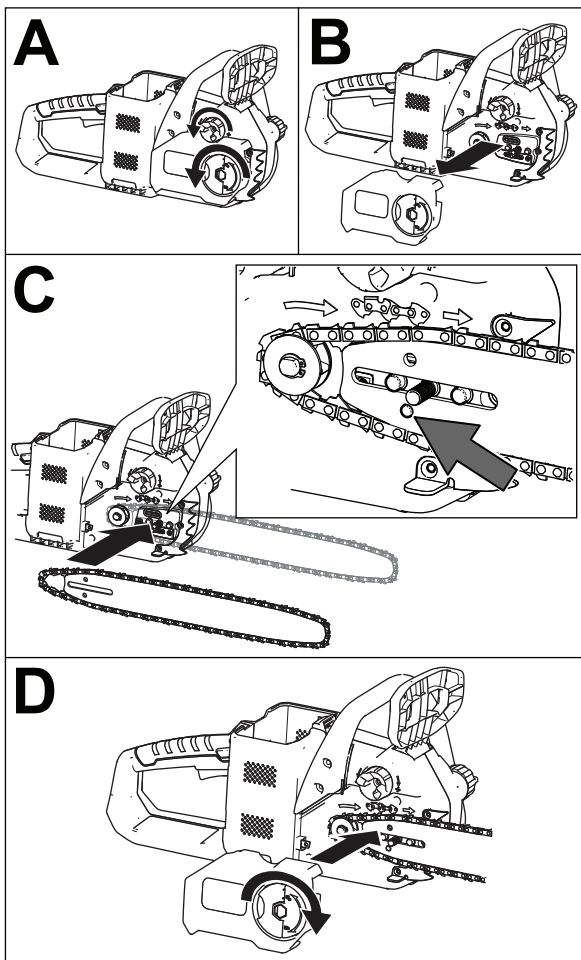


Figure 31

g192112

## Affûtage de la chaîne

**Périodicité des entretiens:** À chaque utilisation ou une fois par jour

Une fois par an ou avant le remisage

Vous devez affûter ou remplacer la chaîne quand vous êtes obligé de forcer pour entailler le bois ou si elle produit des copeaux plus petits que lorsqu'elle était neuve.

Adressez-vous à un dépositaire-réparateur agréé pour faire affûter ou remplacer la chaîne.

## Préparation de la batterie pour le recyclage

**Important:** Après avoir retiré la batterie, recouvrez les bornes de ruban adhésif épais. N'essayez pas de détruire ou de démonter la batterie ni de déposer aucun de ses composants. Recyclez ou débarrassez-vous correctement des batteries au lithium-ion dans un centre de recyclage.



Pour plus de renseignements sur le recyclage des batteries lithium-ion et pour trouver le centre de recyclage de batteries le plus proche, rendez-vous sur [www.Call2Recycle.org](http://www.Call2Recycle.org) (États-Unis et Canada seulement). Hors des États-Unis et du Canada, veuillez contacter votre dépositaire Toro agréé.

11. Continuez d'engager la chaîne sur le guide en alignant les dents dans la rainure.
12. Placez la boucle ouverte de la chaîne (qui n'est pas sur le guide) autour du pignon d'entraînement de la tronçonneuse, puis montez le guide et la chaîne fixée en place comme montré à la [Figure 31](#).

**Important:** Vérifiez que le goujon de réglage de la chaîne est inséré dans le trou indiqué par la flèche à la [Figure 31C](#). Vous devez peut-être tourner le bouton de réglage de tension de la chaîne pour insérer le goujon dans le trou du guide.

13. Remettez le couvercle et l'écrou à oreilles, mais ne serrez pas l'écrou à fond ([Figure 31D](#)). Repliez la languette de l'écrou à oreilles.
14. Réglez la tension de la chaîne; voir [Réglage de la tension de la chaîne](#) (page 19).

## Entretien

Si la tronçonneuse nécessite un entretien, confiez-la à un dépositaire-réparateur agréé.

# Remisage

**Important:** Remisez l'outil, la batterie et le chargeur uniquement à des températures comprises dans la plage adéquate; voir [Caractéristiques techniques \(page 9\)](#).

**Important:** Si vous remisez l'outil pendant un an ou plus, retirez la batterie et chargez-la jusqu'à ce que 2 ou 3 de ses diodes deviennent bleues. Ne remisez pas une batterie à pleine charge ou complètement déchargée. Avant de réutiliser l'outil, chargez la batterie jusqu'à ce que le voyant gauche devienne vert sur le chargeur, ou que les 4 diodes de la batterie deviennent bleues.

- Débarrassez l'appareil de tout corps étranger.
- Rangez l'outil, la batterie et le chargeur dans un endroit bien aéré, hors de la portée des enfants.
- N'approchez pas l'outil, la batterie et le chargeur des agents corrosifs, tels les produits chimiques de jardinage et les sels de dégivrage.
- Pour réduire les risques de blessures graves, ne rangez pas la batterie à l'extérieur ou dans un véhicule.
- Rangez l'outil, la batterie et le chargeur dans un lieu fermé, propre et sec.

# Dépistage des défauts

Effectuez uniquement les opérations décrites dans cette notice. Tout autre travail d'inspection, d'entretien ou de réparation doit être réalisé par un centre d'entretien agréé ou autre spécialiste qualifié si vous n'arrivez pas à résoudre le problème vous-même.

Problème	Cause possible	Mesure corrective
Le moteur ne fonctionne pas ou fonctionne par intermittence.	<ol style="list-style-type: none"> <li>1. Le frein de chaîne est serré.</li> <li>2. La charge de la batterie est faible.</li> <li>3. La batterie n'est pas bien enclenchée.</li> <li>4. La batterie est trop chaude.</li> <li>5. La batterie a dépassé les limites supérieures d'intensité.</li> <li>6. Des débris sont agglomérés sous le couvercle.</li> </ol>	<ol style="list-style-type: none"> <li>1. Désengagez le frein de chaîne en l'actionnant vers l'arrière.</li> <li>2. Rechargez la batterie.</li> <li>3. Insérez la batterie tout au fond de son logement.</li> <li>4. Laissez refroidir la batterie.</li> <li>5. Relâchez la gâchette puis actionnez-la de nouveau.</li> <li>6. Déposez et nettoyez le couvercle.</li> </ol>
Le moteur fonctionne, mais la chaîne ne tourne pas.	<ol style="list-style-type: none"> <li>1. La chaîne n'est pas engagée correctement sur le pignon d'entraînement.</li> </ol>	<ol style="list-style-type: none"> <li>1. Réinstallez la chaîne en prenant soin de bien engager les maillons sur le pignon d'entraînement.</li> </ol>
Le frein de chaîne ne s'engage pas.	<ol style="list-style-type: none"> <li>1. Le frein de chaîne ne fonctionne pas correctement..</li> </ol>	<ol style="list-style-type: none"> <li>1. Portez immédiatement la tronçonneuse chez un dépositaire-réparateur agréé.</li> </ol>
La tronçonneuse ne coupe pas correctement.	<ol style="list-style-type: none"> <li>1. La chaîne n'est pas tendue correctement.</li> <li>2. La chaîne est émoussée.</li> <li>3. La chaîne est montée à l'envers.</li> <li>4. La chaîne est sèche.</li> </ol>	<ol style="list-style-type: none"> <li>1. Corrigez la tension de la chaîne.</li> <li>2. Remplacez la chaîne.</li> <li>3. Remontez la chaîne dans le bon sens.</li> <li>4. Contrôlez le niveau d'huile.</li> </ol>
L'huile de la chaîne produit pas un graissage correct.	<ol style="list-style-type: none"> <li>1. L'orifice d'huile est bouché.</li> <li>2. La gorge d'huile du guide-chaîne est bouchée.</li> <li>3. La crépine du réservoir d'huile est colmatée (selon l'équipement).</li> </ol>	<ol style="list-style-type: none"> <li>1. Débouchez l'orifice d'huile.</li> <li>2. Nettoyez le guide-chaîne.</li> <li>3. Nettoyez la crépine du réservoir d'huile (selon l'équipement).</li> </ol>
La batterie se décharge rapidement.	<ol style="list-style-type: none"> <li>1. La batterie est à une température supérieure ou inférieure à la plage de températures appropriée.</li> </ol>	<ol style="list-style-type: none"> <li>1. Placez la batterie dans un endroit sec, à une température comprise entre 0 °C (32 °F) et 40 °C (104 °F).</li> </ol>
Le chargeur de batterie est défectueux.	<ol style="list-style-type: none"> <li>1. Le chargeur de batterie est à une température supérieure ou inférieure à la plage de températures appropriée.</li> <li>2. La prise sur laquelle le chargeur est branché n'est pas alimentée.</li> </ol>	<ol style="list-style-type: none"> <li>1. Débranchez le chargeur de batterie et placez-le dans un endroit sec, à une température comprise entre 0 °C (32 °F) et 40 °C (104 °F).</li> <li>2. Adressez-vous à un électricien qualifié pour réparer la prise.</li> </ol>
La tronçonneuse ne fonctionne pas du tout ou seulement par intermittence.	<ol style="list-style-type: none"> <li>1. Il y a de l'humidité sur les fils de la batterie.</li> <li>2. La batterie n'est pas complètement insérée dans la tronçonneuse.</li> </ol>	<ol style="list-style-type: none"> <li>1. Laissez sécher la batterie ou essuyez-la.</li> <li>2. Retirez et remettez la batterie en place dans la tronçonneuse, en vérifiant qu'elle est complètement insérée et enclenchée.</li> </ol>
Trois diodes seulement sont allumées sur la batterie au bout de quelques secondes seulement d'utilisation, alors qu'elle est complètement chargée.	<ol style="list-style-type: none"> <li>1. Cela est parfaitement normal.</li> </ol>	<ol style="list-style-type: none"> <li>1. Arrêtez l'outil et appuyez sur le bouton indicateur de charge de la batterie, ou retirez la batterie de l'outil pour afficher la charge réelle.</li> </ol>

<b>Problème</b>	<b>Cause possible</b>	<b>Mesure corrective</b>
Les 4 diodes clignotent sur la batterie après avoir appuyé sur le bouton indicateur de charge, et la charge actuelle s'affiche (quand la batterie n'est pas utilisée).	1. La batterie est à une température supérieure ou inférieure à la plage de températures appropriée.	1. Placez la batterie dans un endroit sec, à une température comprise entre 0 °C (32 °F) et 40 °C (104 °F).
Les 4 diodes clignotent sur la batterie après avoir relâché la gâchette (quand la batterie est utilisée).	1. La batterie est à une température supérieure ou inférieure à la plage de températures appropriée.	1. Placez la batterie dans un endroit sec, à une température comprise entre 0 °C (32 °F) et 40 °C (104 °F).
Deux diodes clignotent sur la batterie après avoir appuyé sur le bouton indicateur de charge, et la charge actuelle s'affiche (quand la batterie n'est pas utilisée).	1. Il y a une différence de tension entre les éléments de la batterie.	1. Placez la batterie sur le chargeur jusqu'à ce qu'elle soit complètement chargée.
Deux diodes clignotent sur la batterie après avoir relâché la gâchette (quand la batterie est utilisée).	1. Il y a une différence de tension entre les éléments de la batterie.	1. Placez la batterie sur le chargeur jusqu'à ce qu'elle soit complètement chargée.
Une diode clignote sur la batterie.	1. La tension de la batterie est faible.	1. Placez la batterie sur le chargeur.
Il est difficile de retirer la batterie de l'outil.	1. La batterie/l'outil sont neufs, ou les bornes de la batterie et/ou les bornes de l'outil sont corrodées.	1. Nettoyez les bornes de la batterie et de l'outil. Appliquez ensuite de la graisse diélectrique sur les bornes de la batterie; n'utilisez aucun autre type de lubrifiant au risque d'endommager les bornes.