



**Count on it.**

**Parts Catalog**

**ProPass 200 Top Dresser  
with Twin Spinner and Wireless Control**

Model No. 44751—Serial No. 402500000 and Up



# Ordering Replacement Parts

To order replacement parts, please supply the part number, the quantity, and the description of each part desired.

## Understanding Reference Numbers

Each identified part in an illustration has a reference number. The reference number for a part also appears in the parts list, along with other information about the part.

This catalog uses two special reference number formats, one to indicate parts in a service assembly and another to indicate the quantity of a given part in an illustration.

## Service Assembly Reference Numbers

Parts in service assemblies have reference numbers in the form a:b. The a represents the reference number of the entire service assembly and the b represents a sequential number unique to each part within the service assembly.

For example, a wheel assembly might be identified by reference number 6, the tire by 6:1, the valve by 6:2, and the wheel by 6:3. When you order the assembly identified by reference number 6, you receive all parts identified by reference numbers 6:1, 6:2, and 6:3. However, you may also order any part individually. Reference numbers of this type appear in illustration and in parts lists.

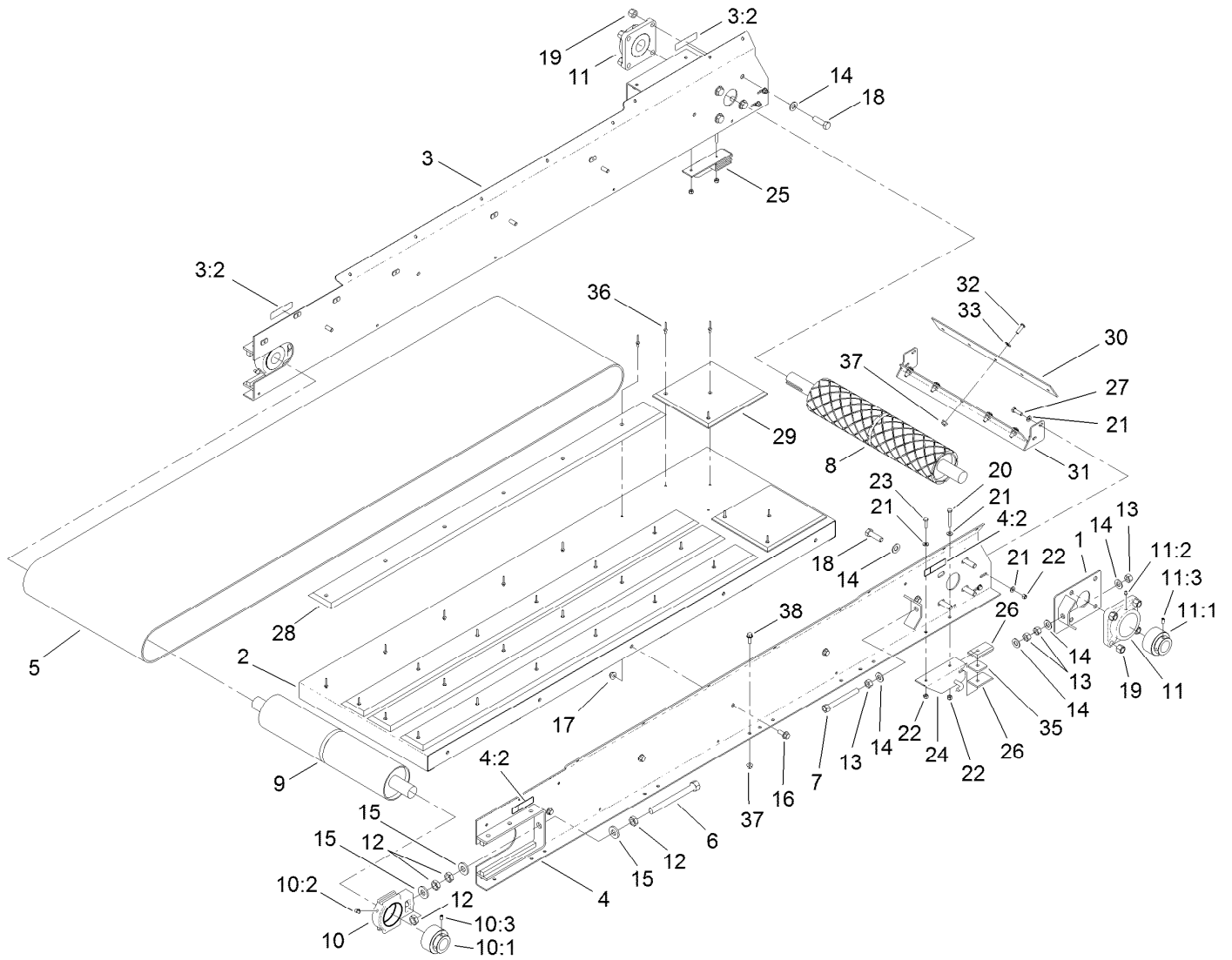
## Reference Numbers Indicating Quantity

In an illustration, if a reference number indicates more than one part, the reference number has the form nX y. The n represents the quantity of the part, the X is the multiplication symbol, and the y represents the reference number.

For example, in an illustration, the reference number 2X 37 means that two of the parts identified by reference number 37 are indicated.

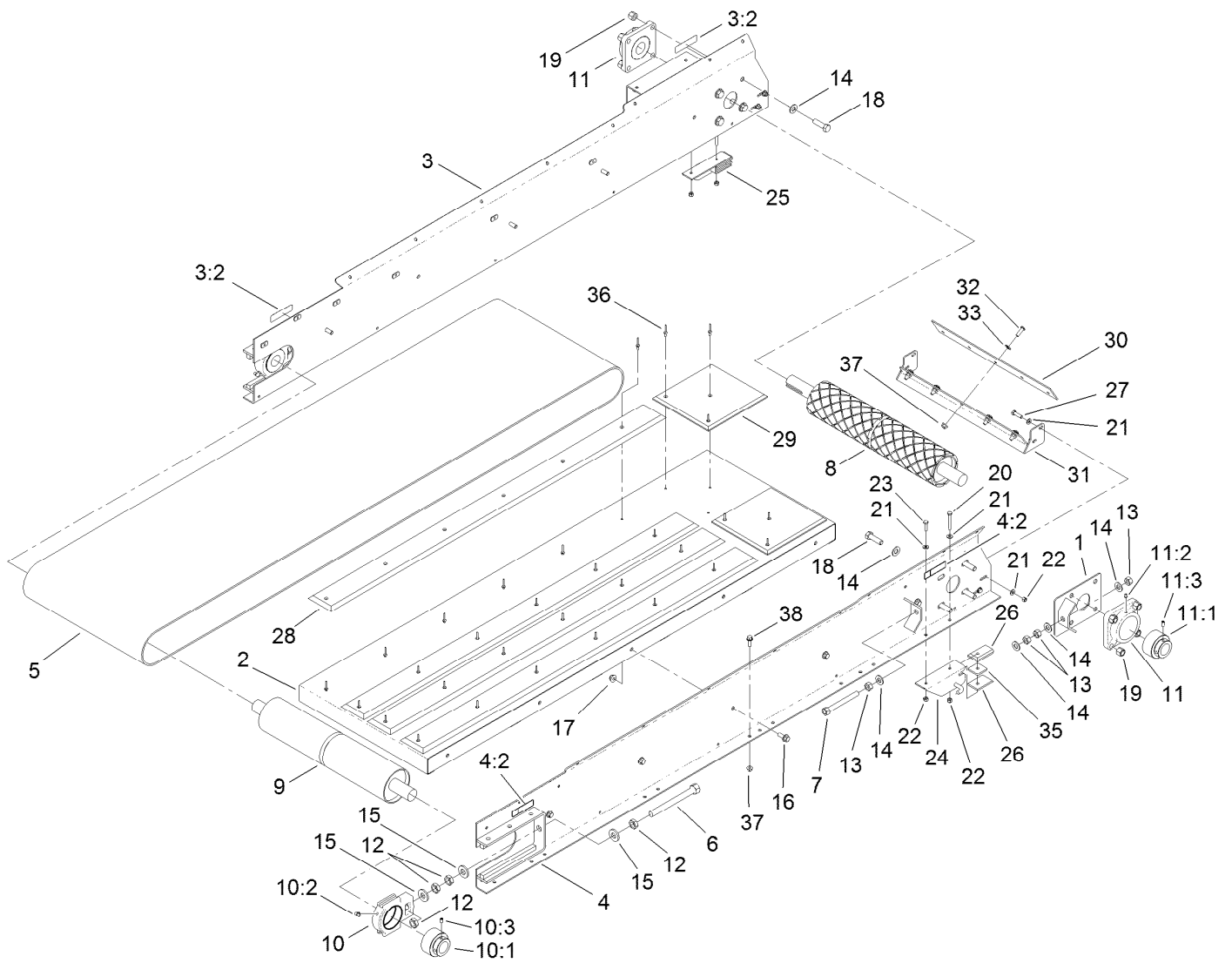
# Contents

Bed Assembly .....	4
Bed Cover Assembly .....	6
Belt Drive Assembly .....	7
Hopper Assembly .....	8
Tailgate Assembly .....	9
Hydraulic System Assembly .....	10
Hydraulic Block Assembly No. 137-8240 .....	12
Twin Spinner Assembly .....	13
Hydraulic Motor Assembly No. T0001-9863 .....	15
Twin Spinner Hydraulic Assembly .....	16
Electrical Assembly .....	17
Attachments and Accessories .....	19



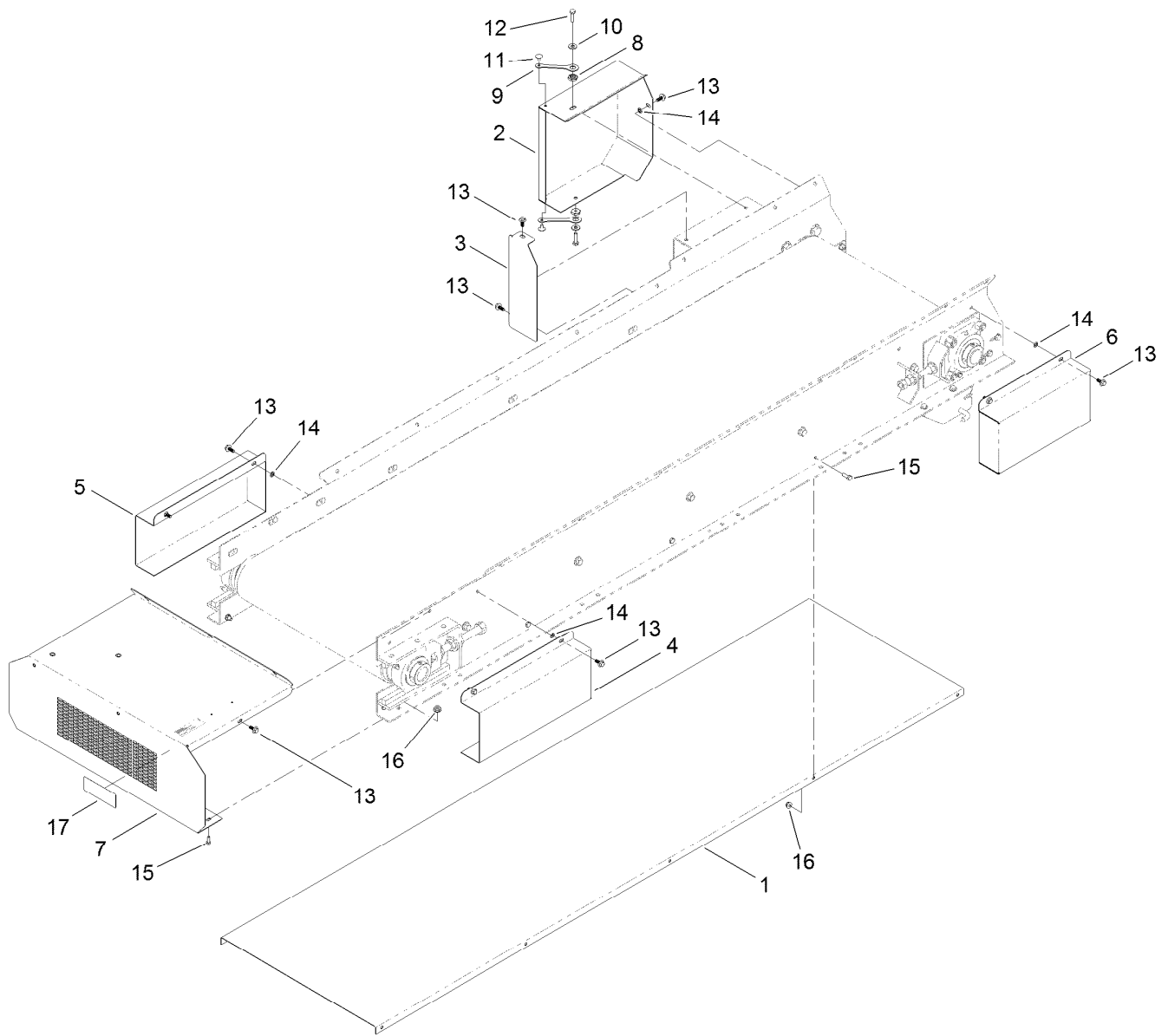
## Bed Assembly

Ref.	Part Number	Qty.	Description	Ref.	Part Number	Qty.	Description
1	T36051675-01	1	Plate-Alignment	14	3256-26	12	Washer-Flat
2	T36051600-01	1	Bed-Conveyor	15	99-7667	6	Washer-Flat
3	119-6797	1	Right Conveyor Side ASM	16	3234-42	10	Screw-HHF
3:2	119-0217	2	Decal-Danger	17	104-8301	10	Nut-HF, NI
4	119-6796	1	Left Conveyor ASM	18	325-7	8	Screw-HH
4:2	119-0217	2	Decal-Danger	19	3296-23	8	Nut-Lock, NI
5	T60191015	1	Belt-Conveyor	20	321-11	2	Screw-HH
6	T36051670-01	2	Rod-Tensioner	21	3256-22	12	Washer-Flat
7	T36051660-01	1	Rod-Alignment	22	3296-42	8	Nut-Lock, NI
8	T36051610	1	Roller-Drive	23	321-6	2	Screw-HH
9	T36051620	1	Roller-Idler	24	T36051560-01	1	Attachment-Left
10	T60114107	2	Take-Up Bearing ASM	25	T36051570-01	1	Attachment-Right
10:1	119-6902	1	Bearing-Collar Lock	26	T36051580	4	Bar-Bearing
10:2	302-40	1	Fitting-Grease, 90 DEG	27	321-4	4	Screw-HH
10:3	3246-17	1	Setscrew-HSH	28	T36051690	4	Slider-Belt
11	T60116255	2	4-Bolt Bearing ASM	29	T36051680	2	Slider-Belt, Rear
11:1	119-6902	1	Bearing-Collar Lock	30	T36051135	1	Plate-Scraper
11:2	302-19	1	Fitting-Grease	31	T36051132-01	1	Scraper
11:3	3246-17	1	Setscrew-HSH	32	119-6903	5	Screw-HSBH
12	3220-6	8	Nut-Jam	33	107-0279	5	Washer
13	3217-9	4	Nut-HH	35	T0000-2189	2	Spacer-Attachment



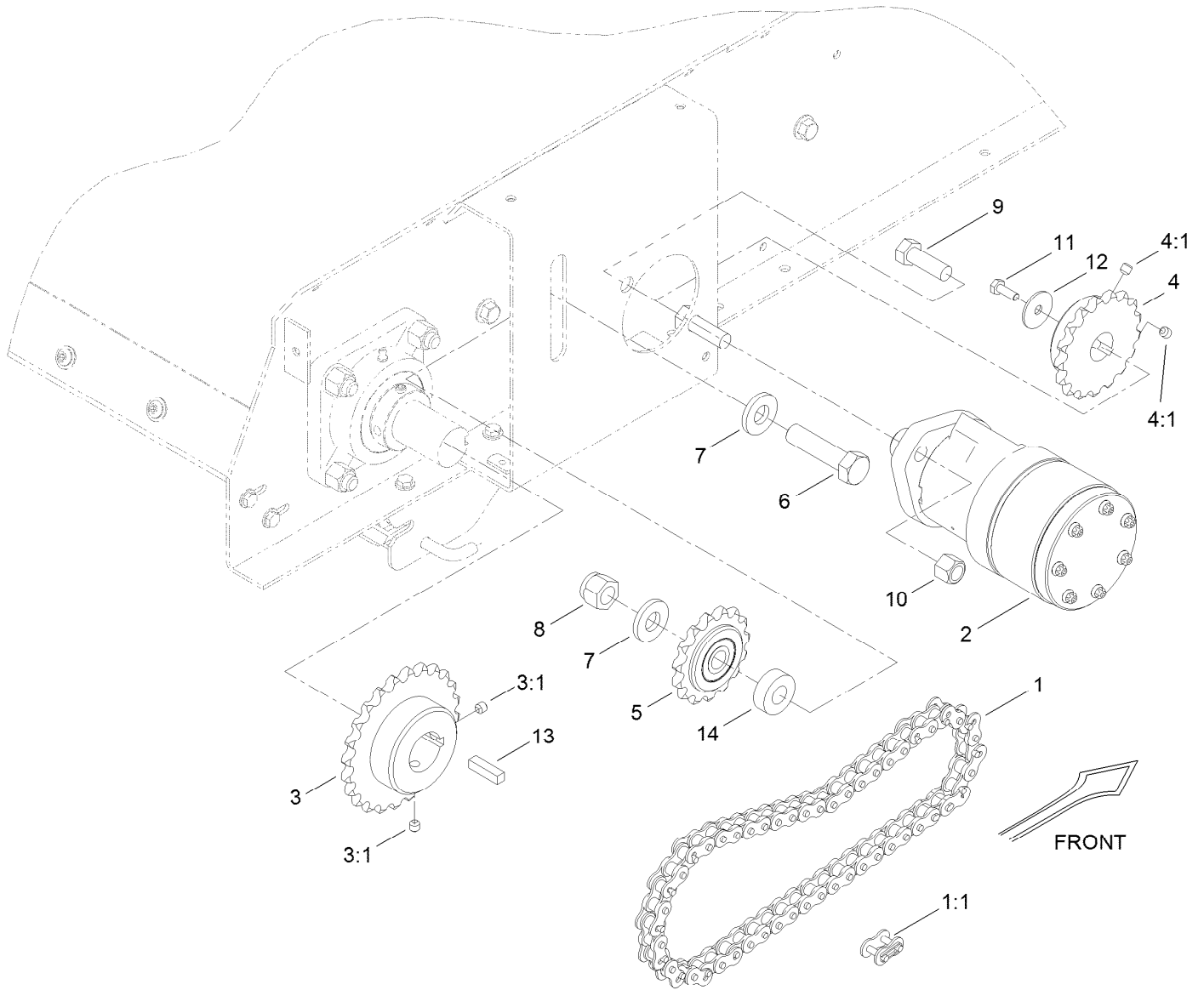
## Bed Assembly (continued)

<i>Ref.</i>	<i>Part Number</i>	<i>Qty.</i>	<i>Description</i>	<i>Ref.</i>	<i>Part Number</i>	<i>Qty.</i>	<i>Description</i>
36	3269-4	30	Rivet-Pop	37	104-8300	15	Nut-HF, NI
				38	3234-29	10	Screw-HHF



## Bed Cover Assembly

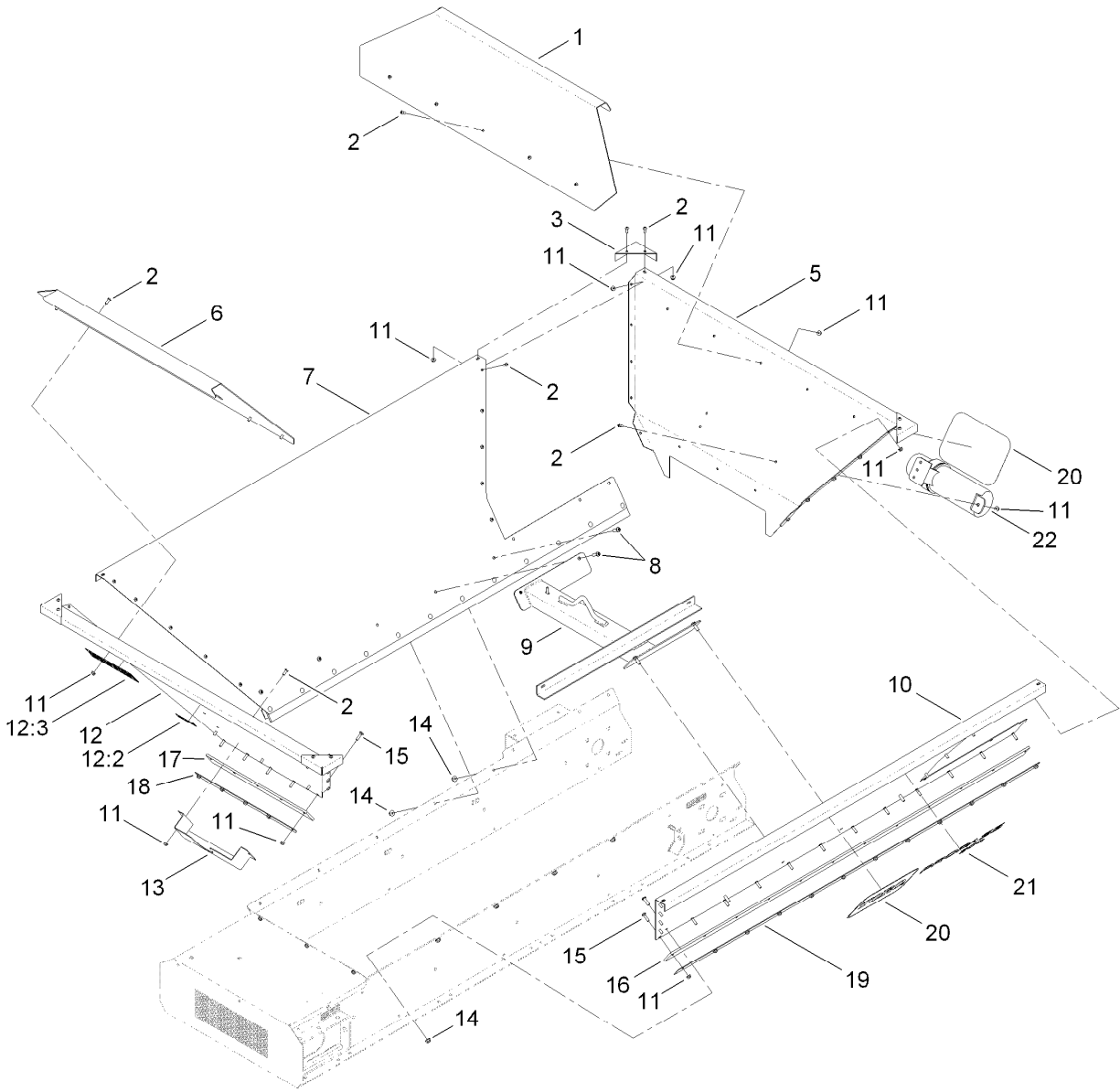
Ref.	Part Number	Qty.	Description	Ref.	Part Number	Qty.	Description
1	T36051704	1	Guard-Bottom	10	3256-2	2	Washer-Flat
2	T36051640-03	1	Guard-Drive, RH	11	146489	2	Rivet
3	T36051645-01	1	Cap-Guard	12	321-6	2	Screw-HH
4	T36051630-03	1	Guard-Idler, LH	13	99-6810	12	Screw-HHF
5	T36051635-03	1	Guard-Idler, RH	14	106-8737	7	Nut-Retainer
6	T36051650-03	1	Guard-Drive, LH	15	321-4	12	Screw-HH
7	130-8585-01	1	Guard-Rinse	16	104-7201	12	Nut-HF
8	119-0851	2	Nut-Shoulder	17	119-6809	1	Decal-Clean Out
9	117-8339	2	Lanyard-3 Inch				



## Belt Drive Assembly

Ref.	Part Number	Qty.	Description
1	T0000-7790	1	Chain-Drive, #50
1:1	T60151066	1	Link-Connector, #50
2	T56011000	1	HYD Motor ASM
3	T0000-6840	1	Sprocket
3:1	3246-2	2	Screw-Set, HSH
4	T60133080	1	Sprocket
4:1	3246-2	2	Screw-Set, HSH
5	T60134080	1	Sprocket-Idler
6	327-8	1	Screw-HH

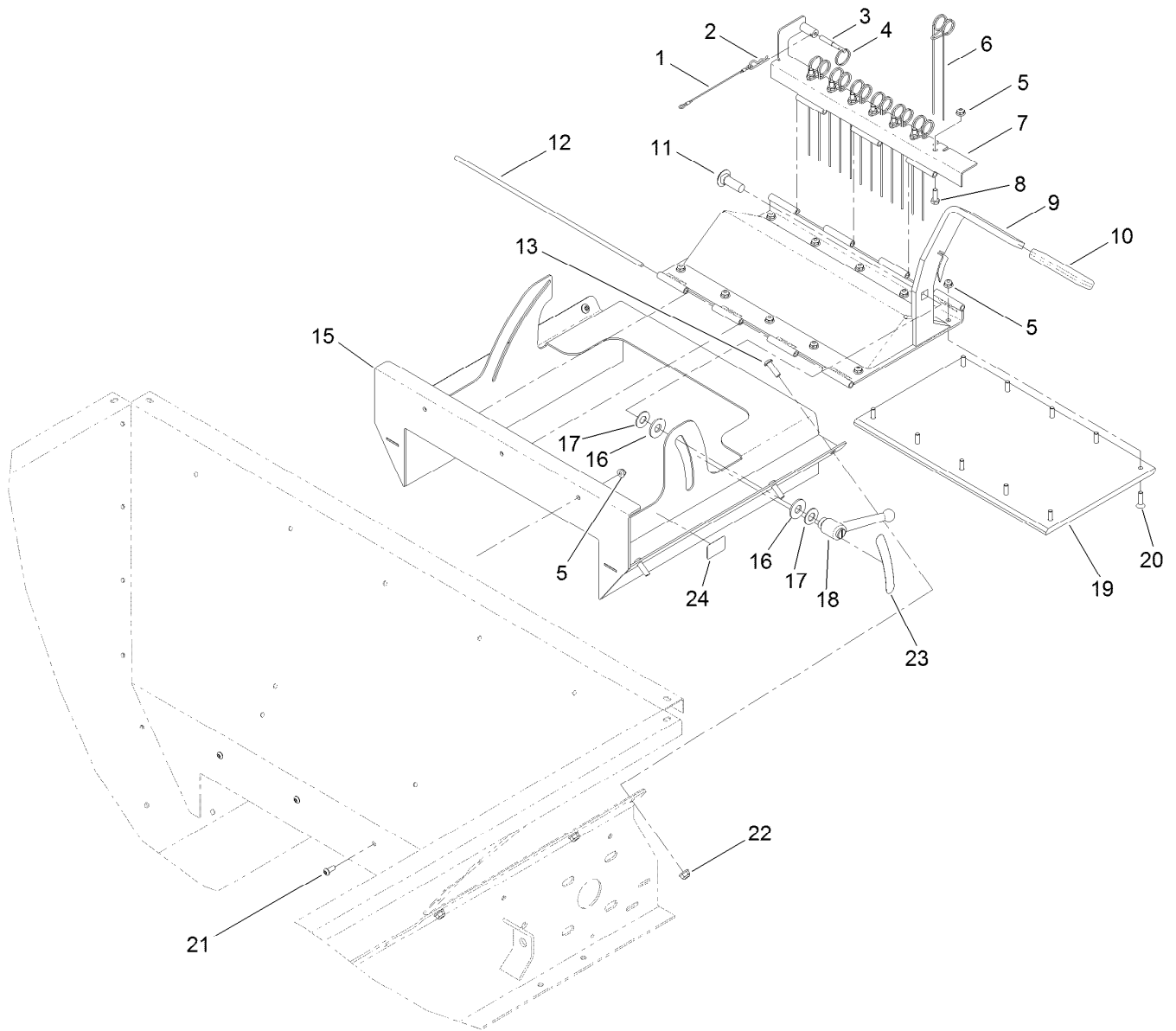
Ref.	Part Number	Qty.	Description
7	99-7667	2	Washer-Flat
8	3296-53	1	Nut-Lock, NI
9	325-6	2	Screw-HH
10	3296-23	2	Nut-Lock, NI
11	321-4	1	Screw-HH
12	3256-57	1	Washer-Flat
13	T36051810	1	Key-Drive
14	119-6905	1	Spacer



## Hopper Assembly

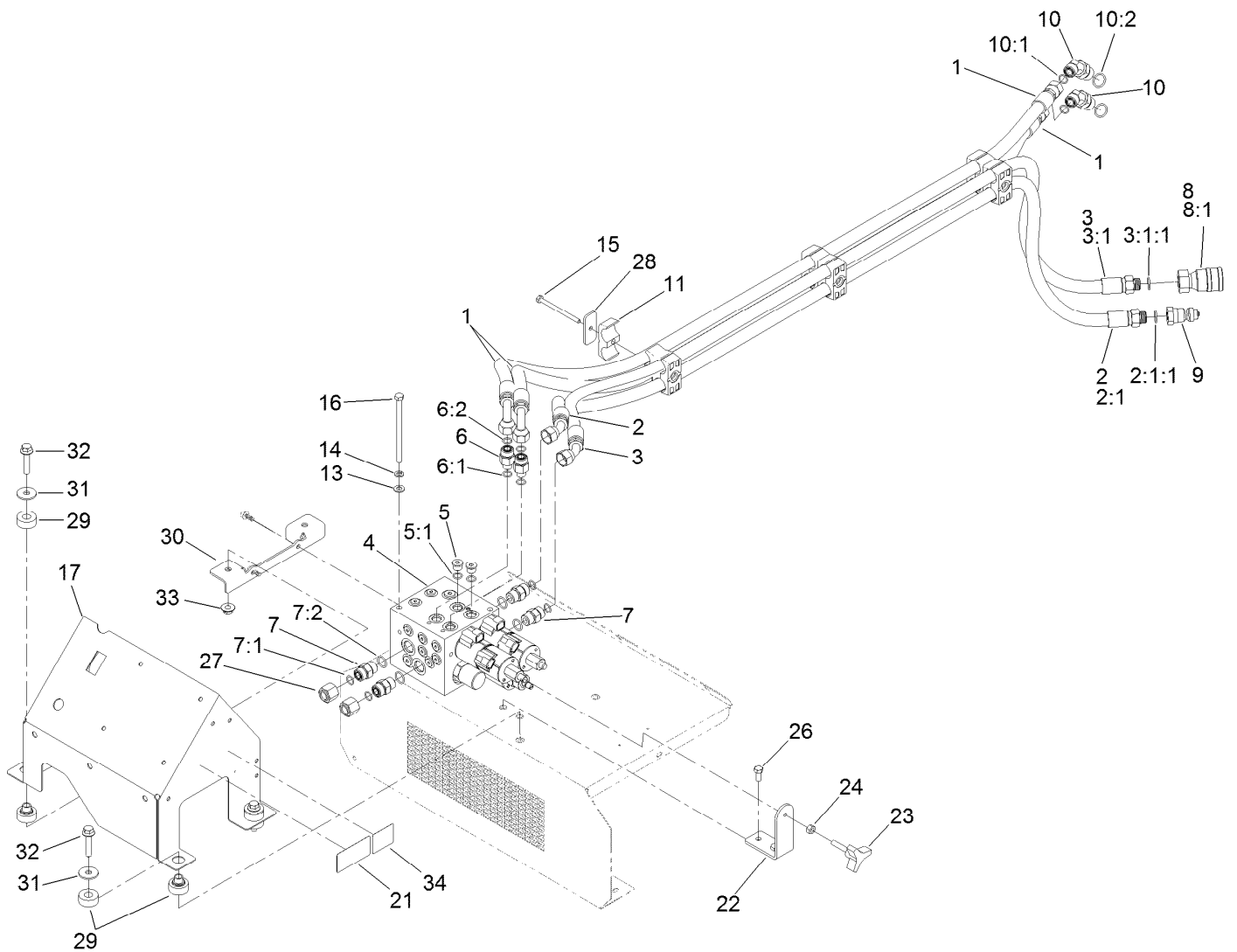
<i>Ref.</i>	<i>Part Number</i>	<i>Qty.</i>	<i>Description</i>	<i>Ref.</i>	<i>Part Number</i>	<i>Qty.</i>	<i>Description</i>
1	T0001-2184-01	1	Extension-Hopper, Rear	12:3	119-6806	1	Decal-Danger
2	119-6906	54	Screw-HSBH	13	T36016084-01	1	Pocket-Control, Wireless
3	T36051116-01	4	Cap-Corner	14	104-8300	10	Nut-HF, NI
5	T0000-7799-01	1	Wall-Hopper, Rear	15	3229-2	29	Screw-CARR
6	T0001-1626-01	1	Extension-Hopper, Front	16	T01-34550B	2	Skirt-Conveyor, Rubber
7	T36051112-01	1	Wall-Hopper, Right	17	T01-34551B	1	Rubber-Seal, Front
8	119-6903	10	Screw-HSBH	18	T36051140-01	1	Retainer-Skirt, Front
9	T01-44788D-03	1	Lift	19	T36051540-01	2	Retainer-Skirt, Conveyor
10	T36051108-01	1	Wall-Hopper, Left	20	66-6140	3	Decal
11	104-7201	83	Nut-HF	21	119-6801	2	Decal
12	119-6795	1	Wall-Hopper, Front	22	T0004-1839	1	Canister-Manual
12:2	119-0217	1	Decal-Danger				





## Tailgate Assembly

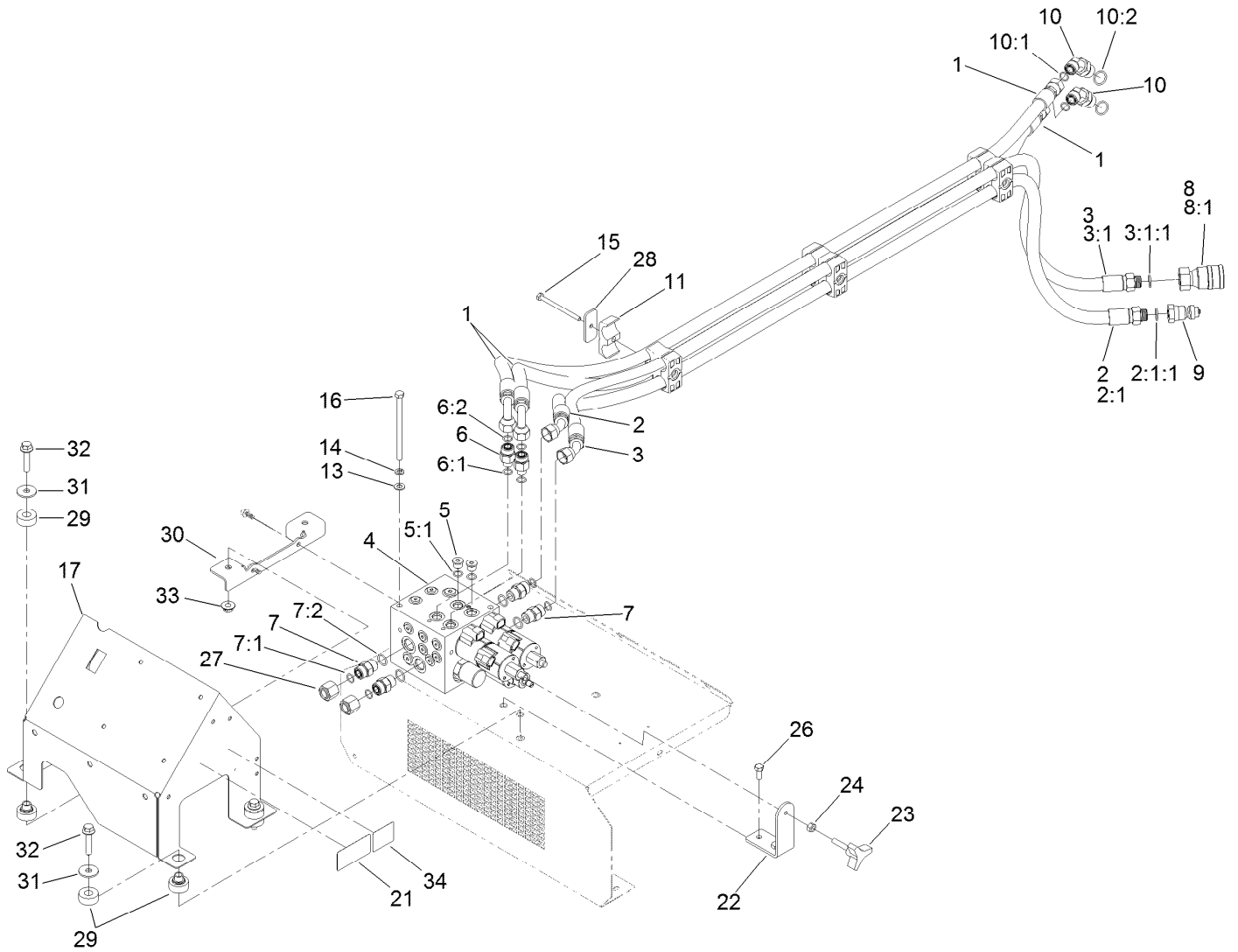
<i>Ref.</i>	<i>Part Number</i>	<i>Qty.</i>	<i>Description</i>	<i>Ref.</i>	<i>Part Number</i>	<i>Qty.</i>	<i>Description</i>
1	28-8070	1	Lanyard	13	119-6903	6	Screw-HSBH
2	3290-467	1	Pin-Hair	15	T0000-2561-01	1	Frame-Gate
3	T0001-6926	1	Pin-Tailgate	16	T0000-2623	2	Washer-Poly
4	106-1392	1	Ring-Retaining, Spiral (EXT)	17	110-6894	2	Washer-Pivot
5	104-7201	20	Nut-HF	18	T0002-0682	1	Handle-Adjustable
6	T0000-2597	7	Tine-Gate	19	T36051127	1	Pad-Wear, Gate
7	T0000-2588-01	1	Mount-Tine, Gate	20	3290-141	10	Screw-HSFH
8	321-4	7	Screw-HH	21	119-6906	3	Screw-HSBH
9	T0000-2564-01	1	Gate	22	104-8300	6	Nut-HF, NI
10	T62021000	1	Grip-Handle	23	119-6808	1	Decal-Volume
11	3233-2	1	Screw-CARR	24	119-6818	1	Decal-Tail Gate
12	T0000-2585	2	Rod-Hinge				



## Hydraulic System Assembly

Ref.	Part Number	Qty.	Description	Ref.	Part Number	Qty.	Description
1	119-6945	2	HYD Hose ASM	9	98-4698	1	Male-Disconnect, Quick
2	119-6946	1	HYD Hose ASM	10	340-89	2	Fitting-HYD, 45 DEG
2:1		1	Fitting-Straight ●	10:1	237-30	1	O-Ring
2:1:1	237-79	1	O-Ring	10:2	237-80	1	O-Ring
3	119-6947	1	HYD Hose ASM	11	56-7974	12	Clamp-Tube
3:1		1	Fitting-Straight ●	13	3256-23	2	Washer-Plain
3:1:1	237-79	1	O-Ring	14	3253-4	2	Washer-Lock
4	137-8240	1	HYD Block ASM	15	321-19	3	Screw-HH
5	353-989	2	Plug-Hex, Hollow	16	322-29	2	Screw-HH
5:1	237-42	1	O-Ring	17	137-7213-01	1	Guard-Control, HYD
6	340-5	2	Fitting-Straight	21	119-6815	1	Decal-Tighten Bolts
6:1	237-42	1	O-Ring	22	130-8584	1	Bracket-Knob
6:2	237-30	1	O-Ring	23	108-2356	1	Knob
7	340-4	4	Fitting-STR	24	3217-6	1	Nut-Hex
7:1	237-30	1	O-Ring	26	322-3	2	Screw-HH
7:2	237-79	1	O-Ring	27	340-152	2	Cap-HYD
8	98-4699	1	Female-Disconnect, Quick	28	T36033040	3	Plate-Clamp
8:1	100-4165	1	Seal Kit	29	121-2870	4	Mount-2 Piece

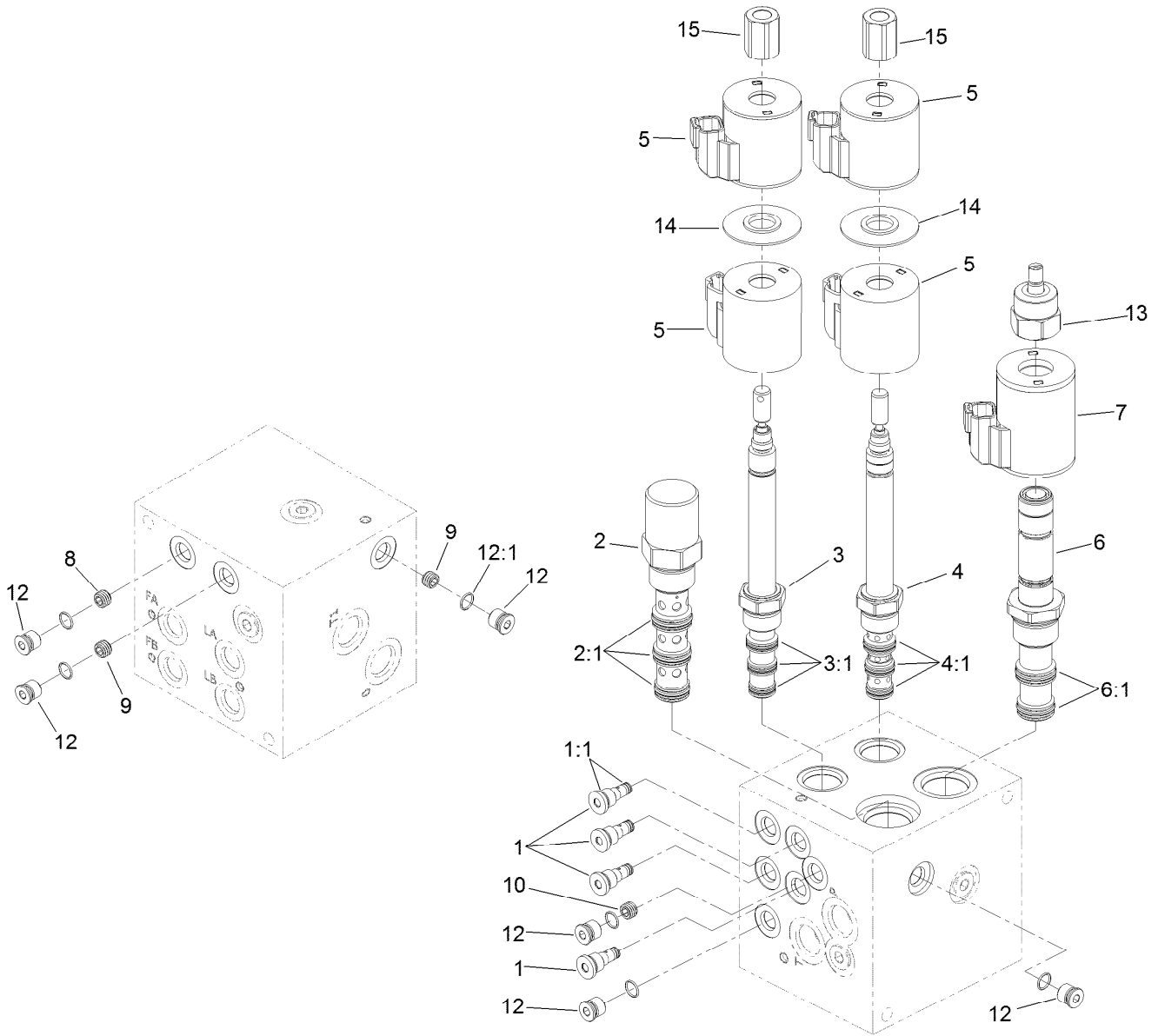
● Not serviced separately



## Hydraulic System Assembly (continued)

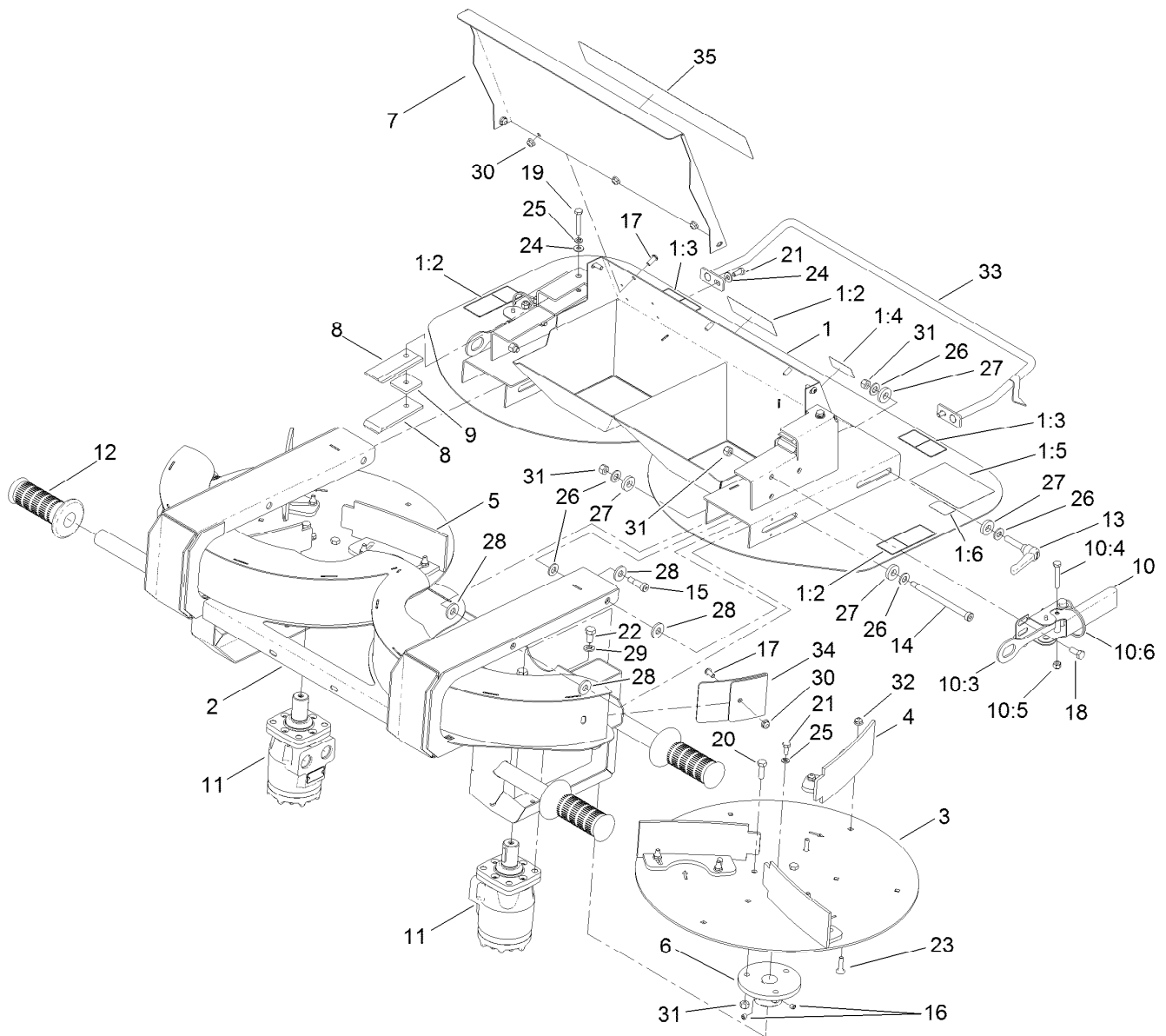
<i>Ref.</i>	<i>Part Number</i>	<i>Qty.</i>	<i>Description</i>	<i>Ref.</i>	<i>Part Number</i>	<i>Qty.</i>	<i>Description</i>
30	130-8583-01	1	Bracket-Isolation Mount	33	32128-19	2	Nut-HF
31	93-8806	4	Washer-Hardened	34	131-6766	1	Decal-Fuses
32	3234-19	4	Screw-HHF				

● Not serviced separately



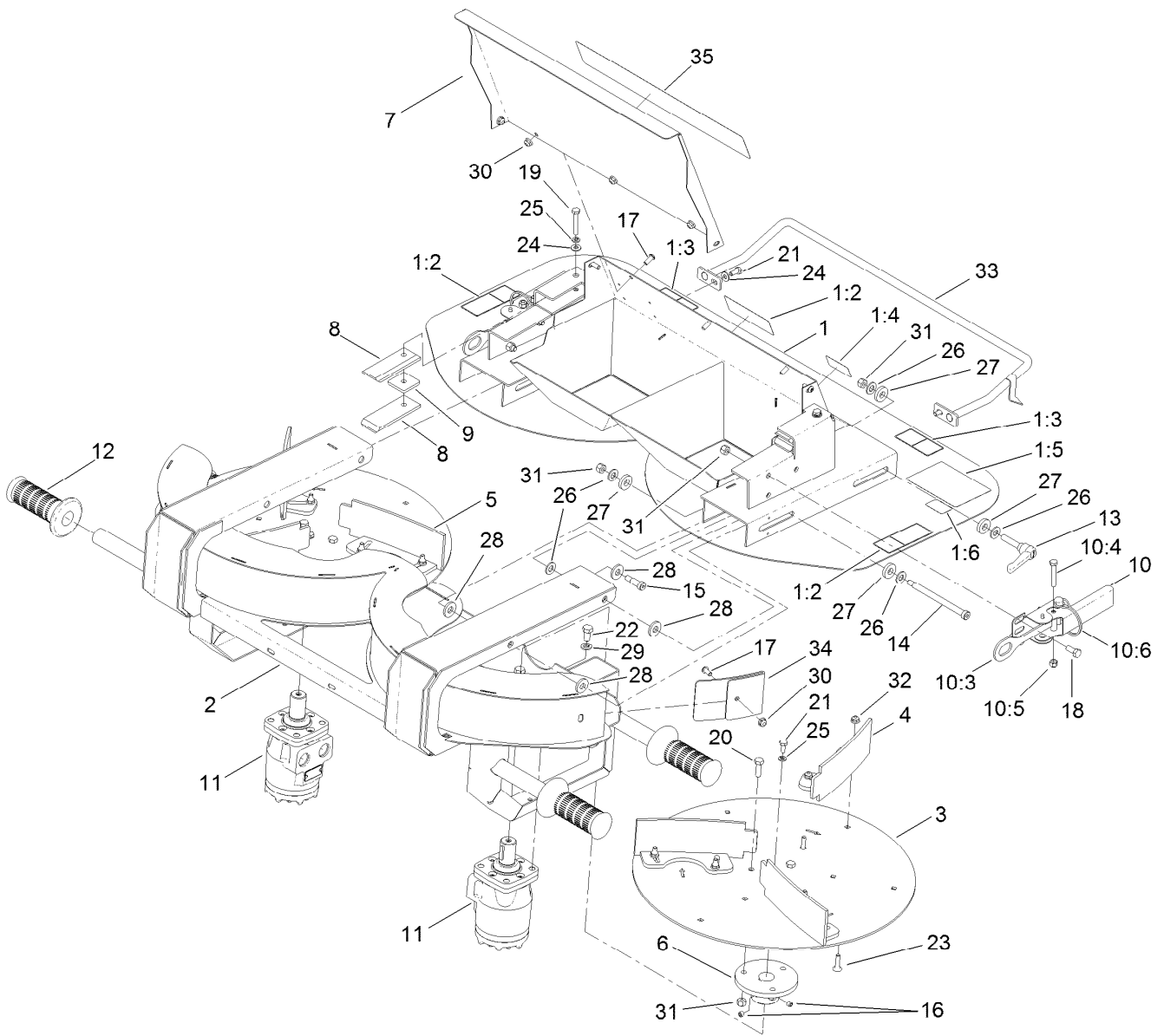
## Hydraulic Block Assembly No. 137-8240

<i>Ref.</i>	<i>Part Number</i>	<i>Qty.</i>	<i>Description</i>	<i>Ref.</i>	<i>Part Number</i>	<i>Qty.</i>	<i>Description</i>
1	131-6500	4	Valve-Check	6:1	114-5515	1	Seal Kit
1:1	125-0100	1	Seal Kit	7	120-0920	1	Coil-Valve
2	120-9416	1	Valve-Pressure Compensator	8	110-8883	1	Plug-Orifice (0.040)
2:1	110-6111	1	Seal Kit	9	110-8889	2	Plug-Orifice (0.020)
3	120-9417	1	Valve-Solenoid	10	120-9422	1	Plug-Orifice (0.068)
3:1	110-8908	1	Spool Valve Seal Kit	12	353-990	4	Plug ASM
4	120-9418	1	Valve-Solenoid	12:1	237-78	1	O-Ring
4:1	110-8908	1	Spool Valve Seal Kit	13	125-0101	1	Nut-Coil
5	119-4619	4	Coil-Solenoid	14	117-8316	2	Spacer-E Coil
6	120-9420	1	Valve-Proportional Flow	15	125-0102	2	Nut-Coil



## Twin Spinner Assembly

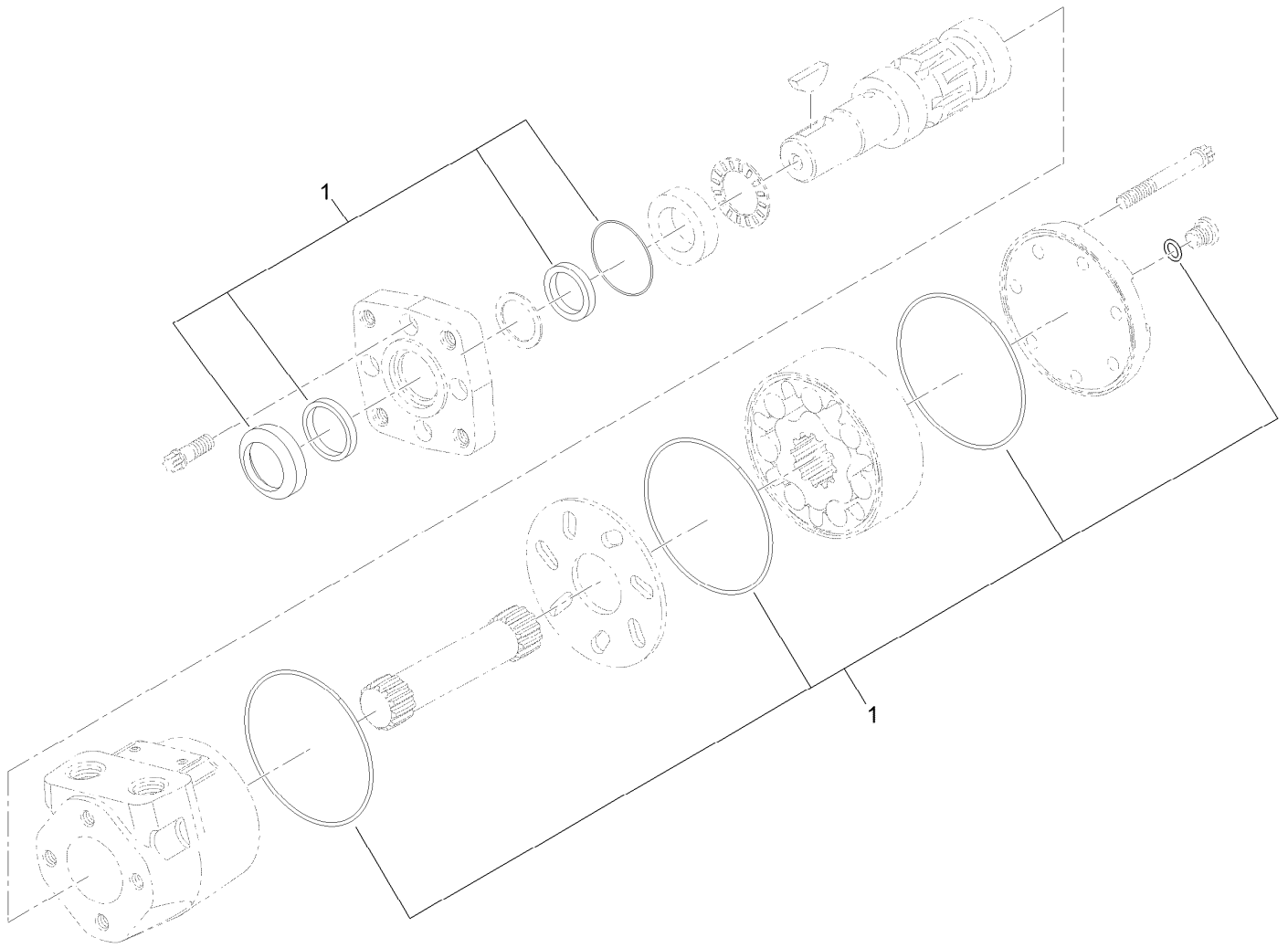
Ref.	Part Number	Qty.	Description	Ref.	Part Number	Qty.	Description
1	119-6793	1	Top Plate ASM	12	T62021010	4	Grip-Vinyl, Black
1:2	119-6804	3	Decal-Warning, Bystanders	13	T0000-2676	2	Handle-Adjustable
1:3	119-6805	2	Decal-Warning, Moving Parts	14	119-6914	2	Screw-Shoulder, HSH
1:4	119-6810	1	Decal-Propass, Lift	15	119-6915	2	Screw-Shoulder, HSH
1:5	119-6817	1	Decal-Fine Tuning	16	3246-2	4	Screw-Set, HSH
1:6	119-6816	1	Decal-Adjustment, Slide	17	119-6906	7	Screw-HSBH
2	T36054605-01	1	Frame-Spinner	18	322-3	6	Screw-HH
3	T36054790-01	2	Disk-Spinner	19	321-10	2	Screw-HH
4	T0001-2003-01	3	Paddle-Curved, Left	20	322-5	6	Screw-HH
5	T0001-2002-01	3	Paddle-Curved, Right	21	321-3	4	Screw-HH
6	T36054780	2	Hub-Disk, Spinner	22	323-4	8	Screw-HH
7	T0000-7676-01	1	Guard-Deflector, Sand	23	119-6920	12	Bolt-Carriage
8	T0000-2191	4	Slide-Attachment	24	3256-22	4	Washer-Flat
9	T0000-2189	2	Spacer-Attachment	25	3253-3	4	Washer-Lock
10	T36054750	2	Quick Attach Latch ASM	26	3256-24	10	Washer-Flat
10:3	T0002-1281-01	1	Hook ASM	27	T0000-2386	8	Washer-Plain
10:4	321-10	1	Screw-HH	28	T0000-2160	8	Washer-Plain
10:5	3296-42	1	Nut-Lock, NI	29	3253-21	8	Washer-Lock
10:6	100-1663	1	Pin-Hitch	30	104-7201	7	Nut-HF
11	T0001-9863	2	HYD Motor ASM	31	3296-29	16	Nut-Lock, NI
				32	119-6921	12	Nut-Hex, Flange



## Twin Spinner Assembly (continued)

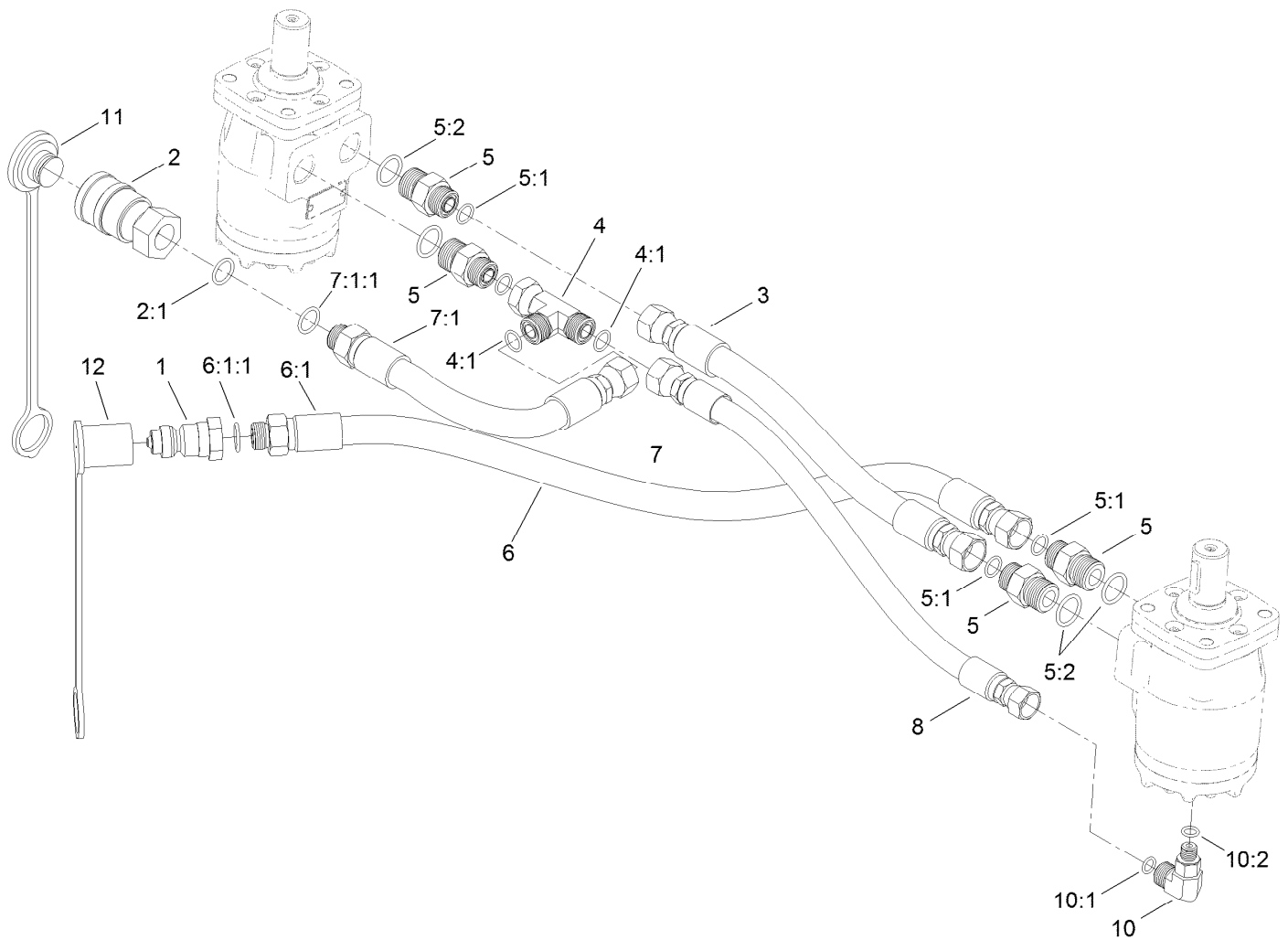
<i>Ref.</i>	<i>Part Number</i>	<i>Qty.</i>	<i>Description</i>
33	T0000-7686-01	1	Handle-Slide

<i>Ref.</i>	<i>Part Number</i>	<i>Qty.</i>	<i>Description</i>
34	T0002-2373-01	2	Plate-Wear, Spinner
35	119-6814	1	Decal-Operating System



## Hydraulic Motor Assembly No. T0001-9863

<i>Ref.</i>	<i>Part Number</i>	<i>Qty.</i>	<i>Description</i>
1	T56013016	1	Seal Kit

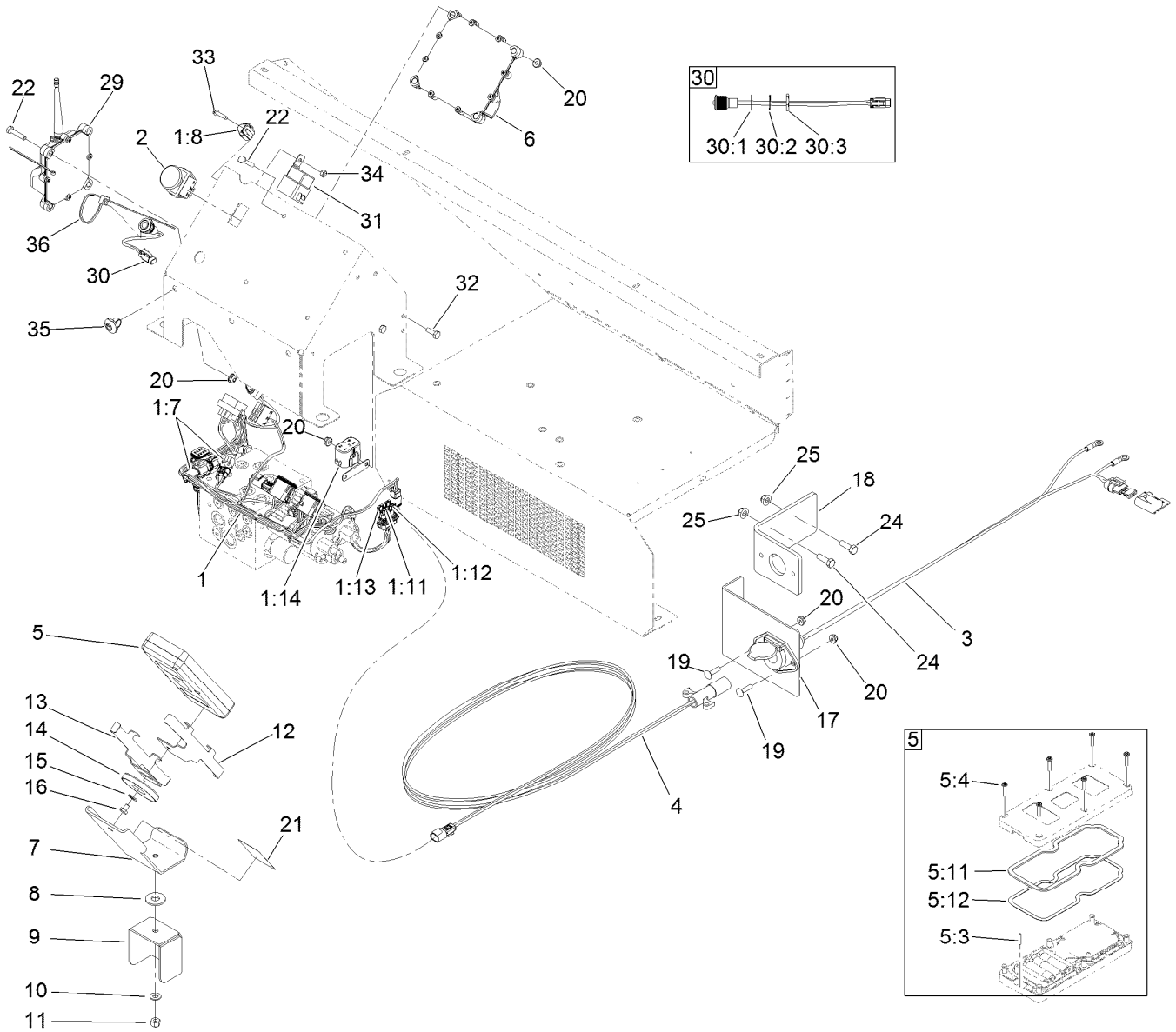


## Twin Spinner Hydraulic Assembly

Ref.	Part Number	Qty.	Description	Ref.	Part Number	Qty.	Description
1	98-4698	1	Male-Disconnect, Quick	6:1:1	237-79	1	O-Ring
2	98-4699	1	Female-Disconnect, Quick	7	120-0812	1	HYD Hose ASM
2:1	100-4165	1	Seal Kit	7:1		1	Fitting-Straight ●
3	117-0180	1	Hose-HYD	7:1:1	237-79	1	O-Ring
4	340-104	1	Fitting-HYD, Tee	8	120-0810	1	HYD Hose ASM
4:1	237-30	2	O-Ring	10	340-97	1	Fitting-Elbow, 90 DEG
5	340-6	4	Fitting-Straight	10:1	237-22	1	O-Ring
5:1	237-30	1	O-Ring	10:2	237-78	1	O-Ring
5:2	237-80	1	O-Ring	11	T56152150	1	Plug-Quick Connect
6	120-0842	1	HYD Hose ASM	12	T56152152	1	Cap-Quick Connect
6:1		1	Fitting-Straight ●				

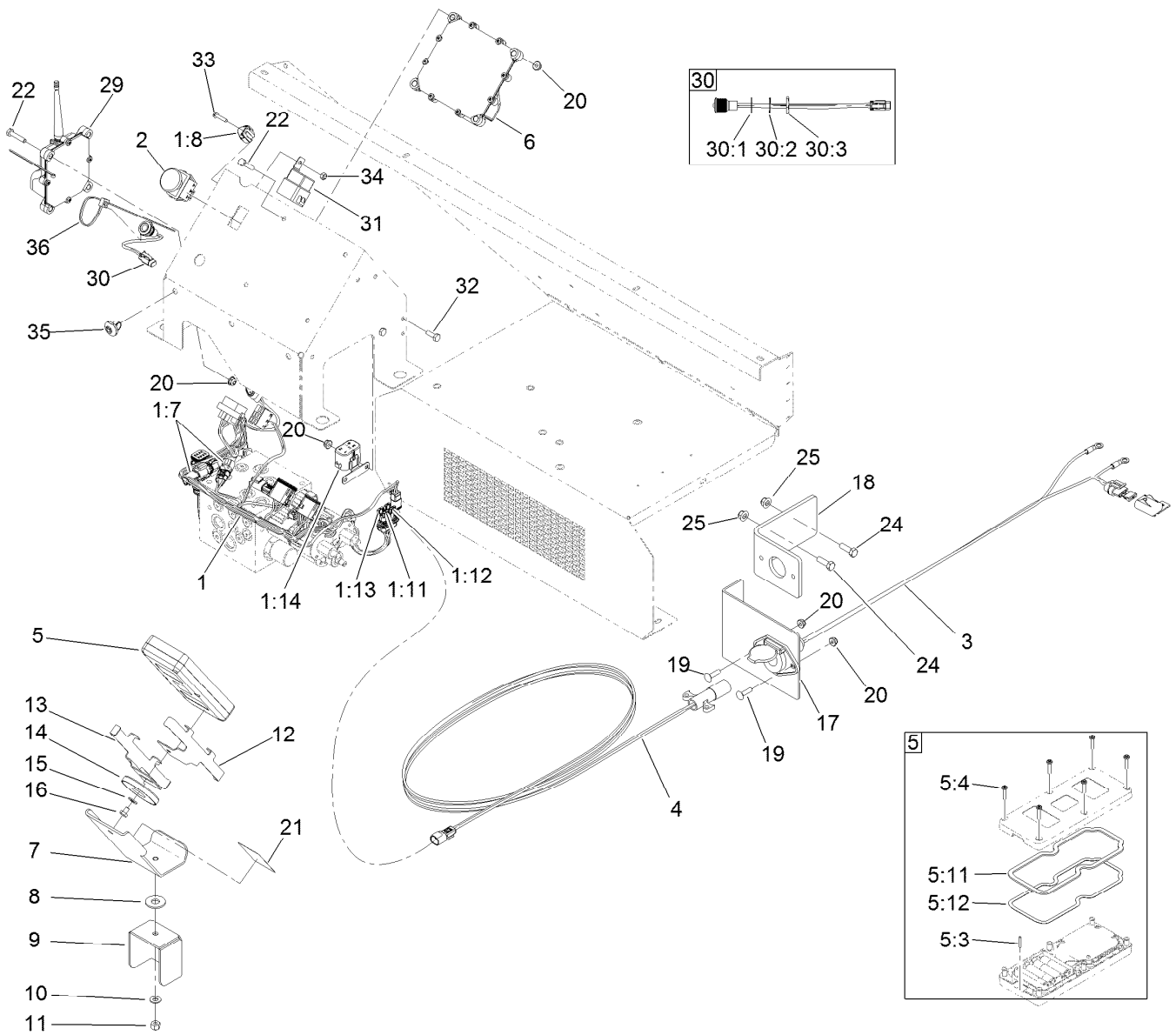
● Not serviced separately





## Electrical Assembly

Ref.	Part Number	Qty.	Description	Ref.	Part Number	Qty.	Description
1	122-1148	1	Harness-Wire	10	3256-23	1	Washer-Plain
1:7	32180-043	2	Resistor-120 Ohm	11	3296-29	1	Nut-Lock, NI
1:8	32180-089	1	Cap-Plug, 3 Way	12	125-5960-03	1	Sleeve-Half
1:11	121-8861	1	Fuse-Mini Blade, 2 Amp	13	125-5962-03	1	Sleeve-Half
1:12	121-8865	2	Fuse-Mini Blade, 7.5 Amp	14	T0002-8729	1	Magnet-Ceramic, Encased
1:13	121-8867	1	Fuse-Mini Blade, 15 Amp	15	3256-22	1	Washer-Flat
1:14	32180-179	1	Cover-Bussman	16	321-1	1	Screw-HH
2	136-6888	1	Switch, E-Stop	17	T36054020	1	Bracket-Socket
3	119-6910	1	Harness-Wire, Universal Power Lead	18	T36054030	1	Bracket-Socket, Heavy
4	119-6911	1	Harness-Wire, Intermediate Power	19	3229-2	2	Screw-CARR
5	125-1330	1	Remote ASM	20	104-7201	12	Nut-HF
5:3	121-2818	1	Pin-Lanyard	21	119-6819	1	Decal-Control, Wireless
5:4	119-6414	6	Screw-PPH	22	321-8	8	Screw-HH
5:11	125-1225	1	Backer-Gasket, HH (Large)	24	322-5	2	Screw-HH
5:12	125-1226	1	Gasket-HH (Large)	25	104-8300	2	Nut-HF, NI
6	125-1360	1	Controller	29	132-9600	1	Controller
7	T0002-8685-01	1	Mount-Controller	30	122-0630	1	Red LED Indicator Lamp ASM
8	T0000-2623	1	Washer-Poly	30:1	122-0634	1	Gasket-LED
9	T0002-8666-01	1	Base-Swivel	30:2	122-0633	1	Washer-Locking
				30:3	122-0632	1	Nut-Fixing



## Electrical Assembly (continued)

<i>Ref.</i>	<i>Part Number</i>	<i>Qty.</i>	<i>Description</i>
31	99-7430	1	Relay
32	321-4	2	Screw-HH
33	106-9169	1	Screw-HWH

<i>Ref.</i>	<i>Part Number</i>	<i>Qty.</i>	<i>Description</i>
34	3296-2	1	Nut-Lock, NI
35	32180-149	3	Tie-Button Head
36	3290-378	1	Tie-Cable

# Attachments and Accessories

## For 44751 ProPass 200 Top Dresser with Twin Spinner and Wireless Control

<b>Product Name</b>	<b>Model/Part</b>
Twin Spinner .....	44702
Conveyor and Swivel Kit .....	44703
Tow-Type Chassis .....	44704
Tow-Type Chassis Fender Kit .....	44705
Tow-Type Chassis Hose Assembly Kit .....	44706
Toro Workman Chassis .....	44707
Storage Stand .....	44712
Hydraulic Power Pack .....	44713



**Count on it.**