



**Count on it.**

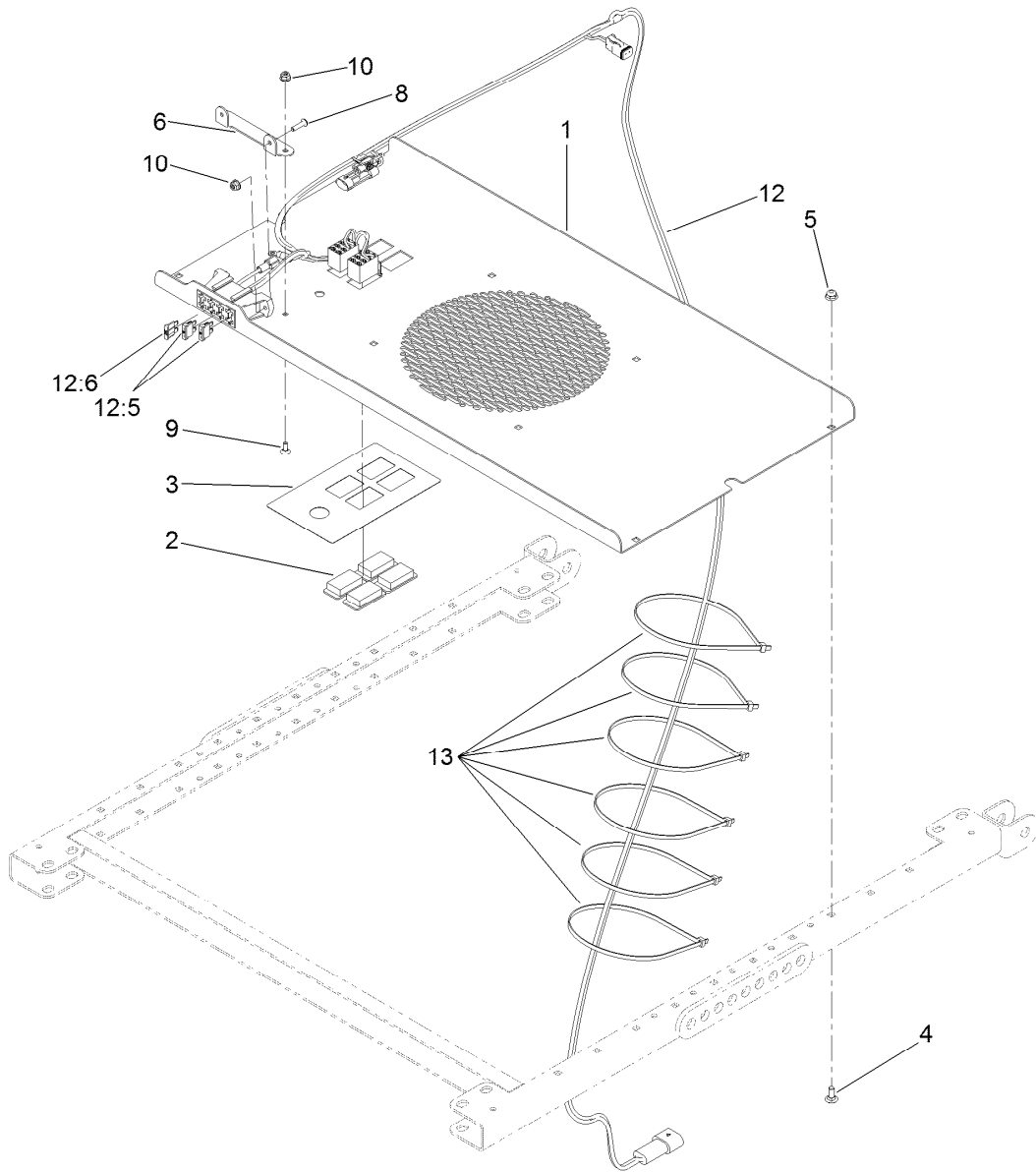
**Parts Catalog**

**Switch Panel**

**Groundsmaster® and Reelmaster® Traction  
Units with Universal Sunshade**

Model No. 03248





## Switch Panel Assembly

Ref.	Part Number	Qty.	Description
1	137-1001-03	1	Grill-Fan
2	99-7420	4	Plug-Hole
3	138-2695	1	Decal-Accessories
4	3229-11	4	Screw-CARR
5	104-7201	4	Nut-HF
6	138-2697	1	Mount-Fuse
8	104-2408	2	Screw-HSBH
9	1-807513	2	Bolt-CARR
10	120-4578	4	Nut-HF
12	122-1221	1	Harness-Wire
12:5	109355	2	Fuse-Blade, 15 Amp
12:6	109102	1	Fuse-Blade, 25 Amp
13	3290-379	6	Tie-Cable