



**Count on it.**

**Parts Catalog**

**TimeCutter® SW 3200**

**Riding Mower**

Model No. 74670—Serial No. 316000001 and Up



# Ordering Replacement Parts

To order replacement parts, please supply the part number, the quantity, and the description of each part desired.

## Understanding Reference Numbers

Each identified part in an illustration has a reference number. The reference number for a part also appears in the parts list, along with other information about the part.

This catalog uses two special reference number formats, one to indicate parts in a service assembly and another to indicate the quantity of a given part in an illustration.

## Service Assembly Reference Numbers

Parts in service assemblies have reference numbers in the form a:b. The a represents the reference number of the entire service assembly and the b represents a sequential number unique to each part within the service assembly.

For example, a wheel assembly might be identified by reference number 6, the tire by 6:1, the valve by 6:2, and the wheel by 6:3. When you order the assembly identified by reference number 6, you receive all parts identified by reference numbers 6:1, 6:2, and 6:3. However, you may also order any part individually. Reference numbers of this type appear in illustration and in parts lists.

## Reference Numbers Indicating Quantity

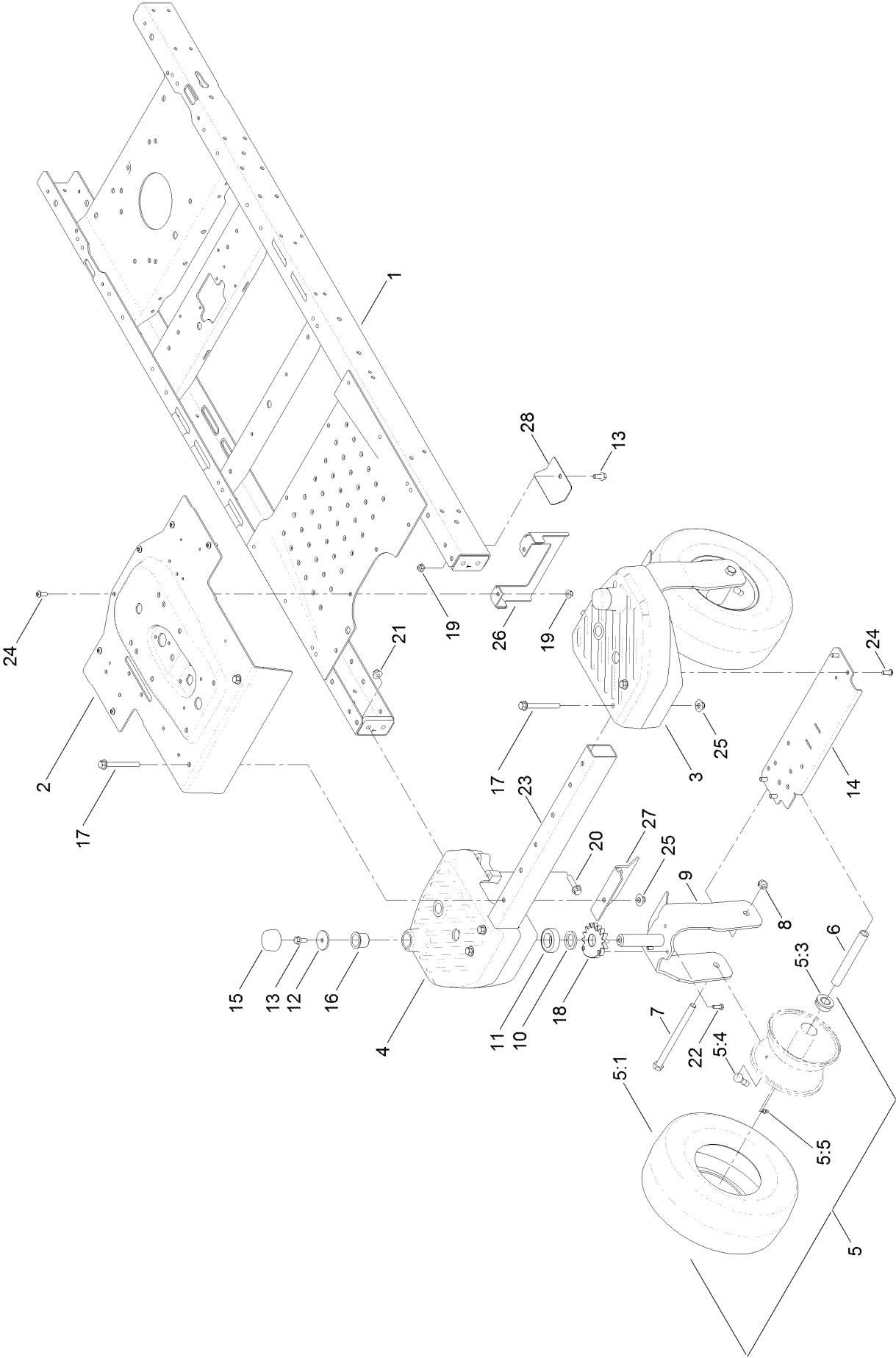
In an illustration, if a reference number indicates more than one part, the reference number has the form nX y. The n represents the quantity of the part, the X is the multiplication symbol, and the y represents the reference number.

For example, in an illustration, the reference number 2X 37 means that two of the parts identified by reference number 37 are indicated.

# Contents

Frame, Front Axle and Caster Wheel Assembly .....	4
Deck Lift Assembly .....	6
Steering Column Assembly .....	8
Speed Control Assembly .....	10
Neutral Return Assembly No. 131-0903 .....	12
Steering Gear Assembly .....	14
Steering Cable Assembly .....	16
Steering Assembly .....	18
Motion Control Assembly .....	20
Brake Assembly .....	22
Seat Assembly .....	24
Belt and Idler Assembly .....	26
Hydro Transaxle Assembly .....	28
2 Ply Wheel and Tire Assembly No. 131-3670 .....	30
Right Hand Hydro Transaxle Assembly No. 119-3331 .....	32
Left Hand Hydro Transaxle Assembly No. 119-3330 .....	34
Clutch Assembly .....	36
Engine and Muffler Assembly .....	38
Fuel System Assembly Engine Assembly No. 127-9358 .....	40
Air Intake and Filtration Assembly Engine Assembly No. 127-9358 .....	42
Ignition and Electrical Assembly Engine Assembly No. 127-9358 .....	44
Crankcase Assembly Engine Assembly No. 127-9358 .....	46
Governor Control Assembly Engine Assembly No. 127-9358 .....	48
Piston and Cylinder Head Assembly Engine Assembly No. 127-9358 .....	50
Blower Housing Assembly Engine Assembly No. 127-9358 .....	52
Gasket and Seal Kit Engine Assembly No. 127-9358 .....	54
Body Styling and Fuel Tank Assembly .....	56
Fuel Delivery Assembly .....	58
Battery and Electrical Assembly .....	60
Wire Harness Assembly .....	62
32 Inch Deck and Deflector Assembly .....	64
32 Inch Deck Assembly .....	66
32 Inch Deck, Belt and Blade Assembly .....	68
Attachments and Accessories .....	70

# Frame, Front Axle and Caster Wheel Assembly



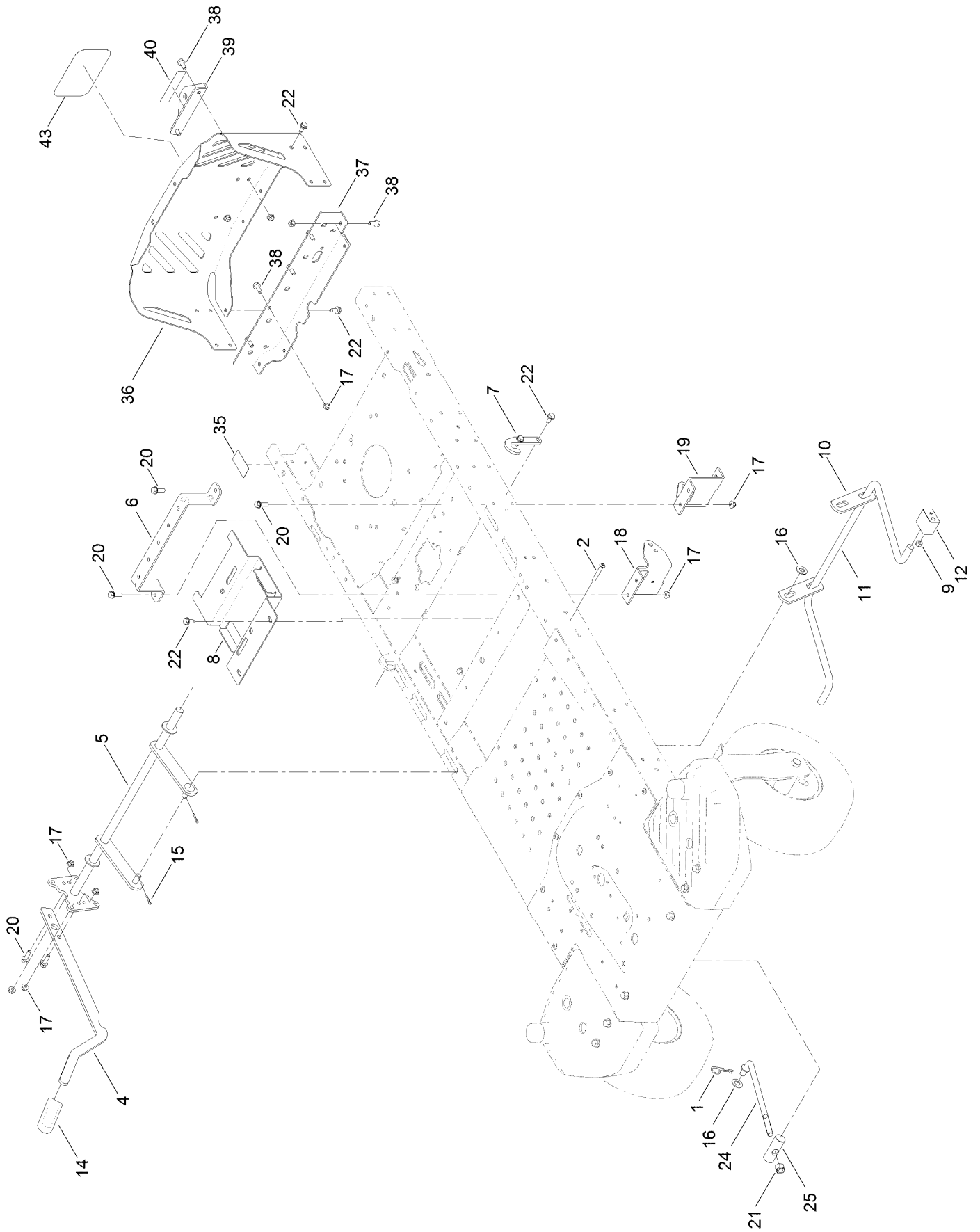
# Frame, Front Axle and Caster Wheel Assembly (continued)

<i>Ref.</i>	<i>Part Number</i>	<i>Qty.</i>	<i>Description</i>	<i>Ref.</i>	<i>Part Number</i>	<i>Qty.</i>	<i>Description</i>
1	130-0804-01	1	Frame ASM	13	3234-47	3	Screw-HHF
2	132-9345-05	1	Pan-Steer, Front	14	130-6983-03	1	Plate-Bridge, Narrow
3	130-0748-05	1	Housing-Spindle, LH	15	130-7015	2	Cap-Caster
4	130-0746-05	1	Housing-Spindle, RH	16	126-1963	2	Bushing-Pivot
5	130-0736	2	Caster Wheel ASM	17	115-7660	6	Screw-HHF
5:1	130-0735	1	Tire	18	130-0689	2	Gear-Wheel, 15 Tooth
5:3	114-1640	2	Bushing-Flange	19	104-8300	7	Nut-HF, NI
5:4	232-27	1	Stem-Valve	20	114-4681	4	Screw-HHF
5:5	302-5	1	Fitting-Grease	21	104-8301	4	Nut-HF, NI
5:6	105-0844	1	Tube-Inner ■●	22	321-4	4	Screw-HH
6	104-3667	2	Bushing-Spanner	23	130-6902-03	1	Tube-Front, Narrow
7	325-22	2	Screw-HH	24	3274-55	10	Screw-HSBH
8	3296-45	2	Nut-Lock, NI	25	109-6658	6	Nut-Flange, NI
9	130-6970-03	2	Caster Fork ASM	26	132-0941-03	1	Bracket-Upstop
10	117-7394	2	Washer-Thrust	27	132-0868-03	1	Guard-Front
11	109-3678	2	Bearing-Ball	28	132-0901-03	1	Plate-Guard
12	131-1032	2	Washer-Flat				

● Not illustrated

■ Optional Equipment

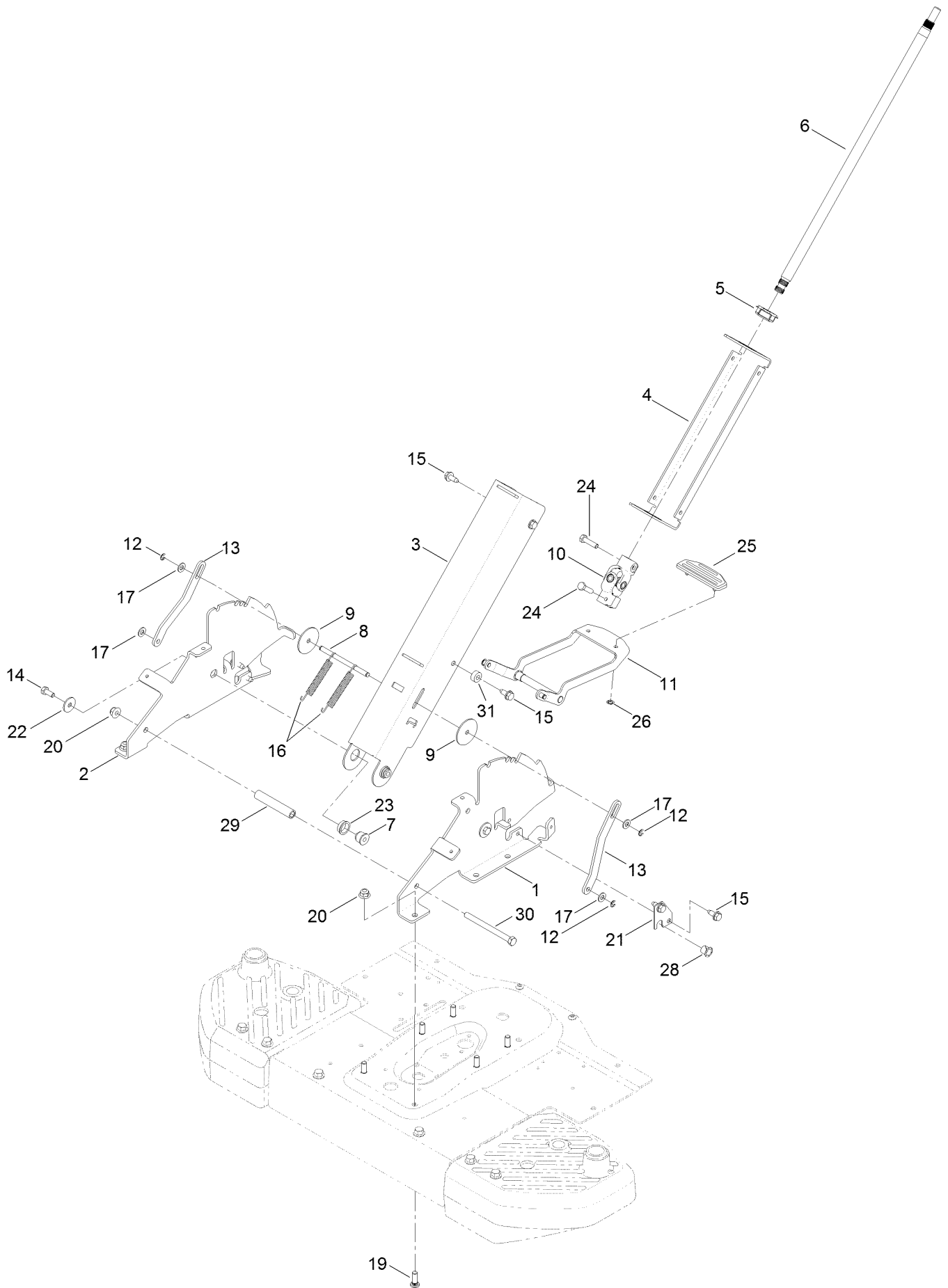
# Deck Lift Assembly



## Deck Lift Assembly (continued)

<i>Ref.</i>	<i>Part Number</i>	<i>Qty.</i>	<i>Description</i>	<i>Ref.</i>	<i>Part Number</i>	<i>Qty.</i>	<i>Description</i>
1	1-806005	1	Pin-Cotter	18	131-0901-01	1	Mount-Hydro, Front (RH)
2	120-5499	2	Screw-HSBH	19	131-0902-01	1	Mount-Hydro, Front (LH)
4	119-3427-03	1	Lever-Lift	20	3234-29	6	Screw-HHF
5	132-6872-03	1	Lift-Deck, Narrow	21	3296-19	1	Nut-Hex
6	119-3435-03	1	Brace-Seat, Rear (Narrow)	22	32144-70	16	Screw-HWHTF
7	119-8875	2	Bracket-Lift	24	131-3945	1	Rod-Mount, Deck
8	131-0914-03	1	Bracket-Battery	25	119-8810	1	Pin-Pivot
9	3296-29	2	Nut-Lock, NI	35	121-2989	2	Decal-Bypass
10	108-7840	2	Link-Lift	36	127-3353-03	1	Guard-Engine, Narrow
11	108-7839	1	Arm-Lift, Rear	37	130-6950-01	1	Crossmember-Rear, Narrow
12	108-7845	2	Block-Pivot	38	3234-47	8	Screw-HHF
14	1-633268	1	Grip-Lever	39	117-1232-03	1	Bracket-Hitch
15	3272-11	2	Pin-Cotter	40	131-4036	1	Decal
16	3256-26	3	Washer-Flat	43	99-4693	1	Decal
17	104-8300	14	Nut-HF, NI				

# Steering Column Assembly

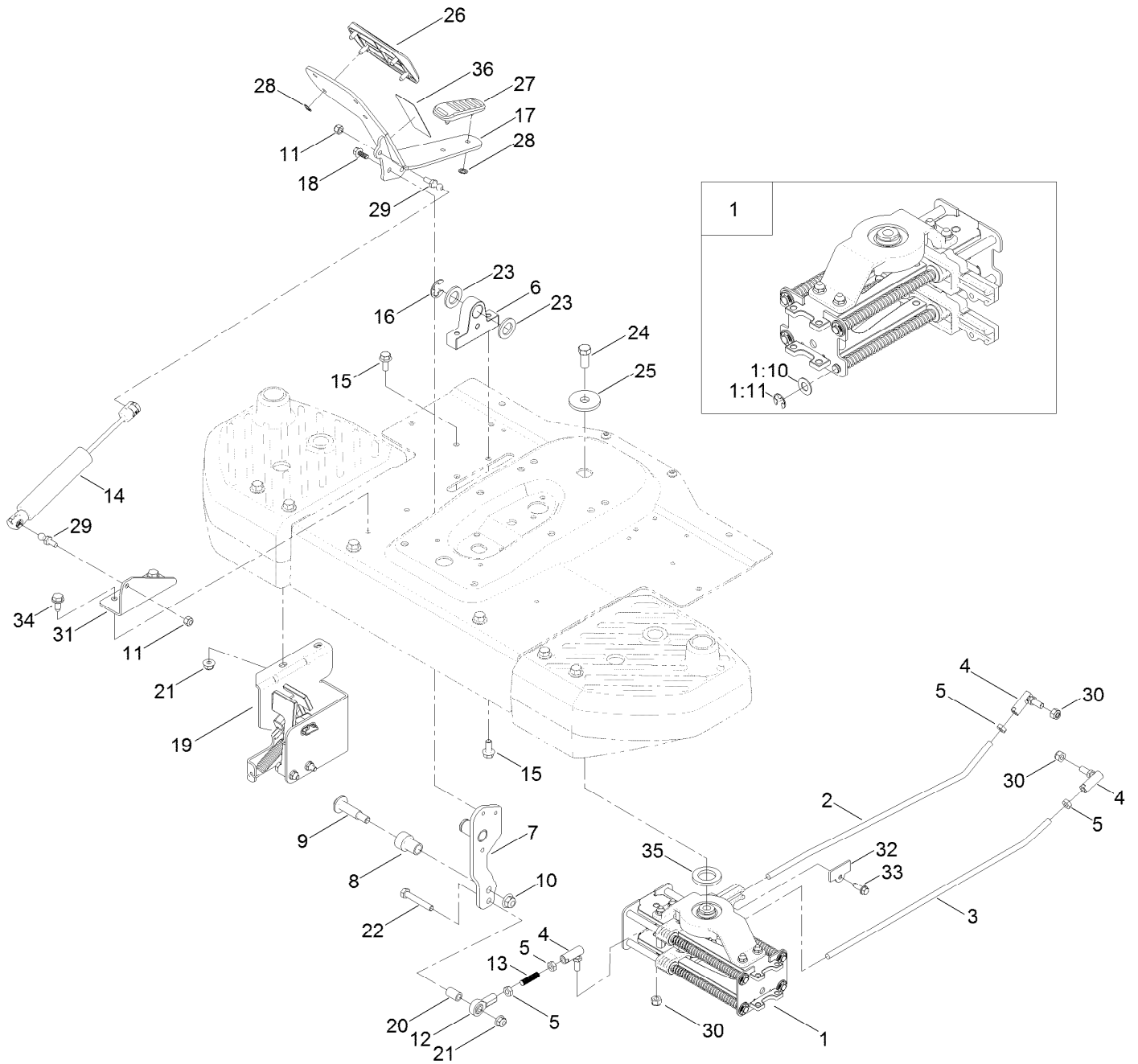




## Steering Column Assembly (continued)

<i>Ref.</i>	<i>Part Number</i>	<i>Qty.</i>	<i>Description</i>	<i>Ref.</i>	<i>Part Number</i>	<i>Qty.</i>	<i>Description</i>
1	131-1052-03	1	Bracket-Pivot, Column (LH)	16	130-6998	2	Spring-Extension
2	131-1053-03	1	Bracket-Pivot, Column (RH)	17	3256-23	4	Washer-Plain
3	131-1054-01	1	Column-Front	19	132-0921	6	Stud-Push-In
4	132-9315-01	1	Column-Back	20	104-8301	7	Nut-HF, NI
5	133-1160	1	Bearing-Spherical	21	131-1043	2	Plate-Retainer
6	125-5507	1	Shaft-Steering, Upper	22	5-4460	2	Washer-Pivot
7	131-1056	2	Spacer-Pivot, Column	23	99-4243	2	Bushing-Flange
8	131-1050	1	Rod-Plunger	24	322-6	2	Screw-HH
9	131-8729	2	Washer-Shaft, Tilt	25	131-4096	1	Pad-Tilt Pedal
10	131-1030	1	U-Joint ASM	26	32112-6	2	Nut-Push
11	132-6868	1	Release Pedal ASM	28	256-257	2	Bushing-Nyliner
12	701197	4	E-Ring	29	131-3697	1	Spacer
13	131-1049	2	Plate-Plunger	30	323-23	1	Screw-HH
14	322-3	2	Screw-HH	31	121-1759	2	Spacer
15	32144-70	8	Screw-HWHTF				

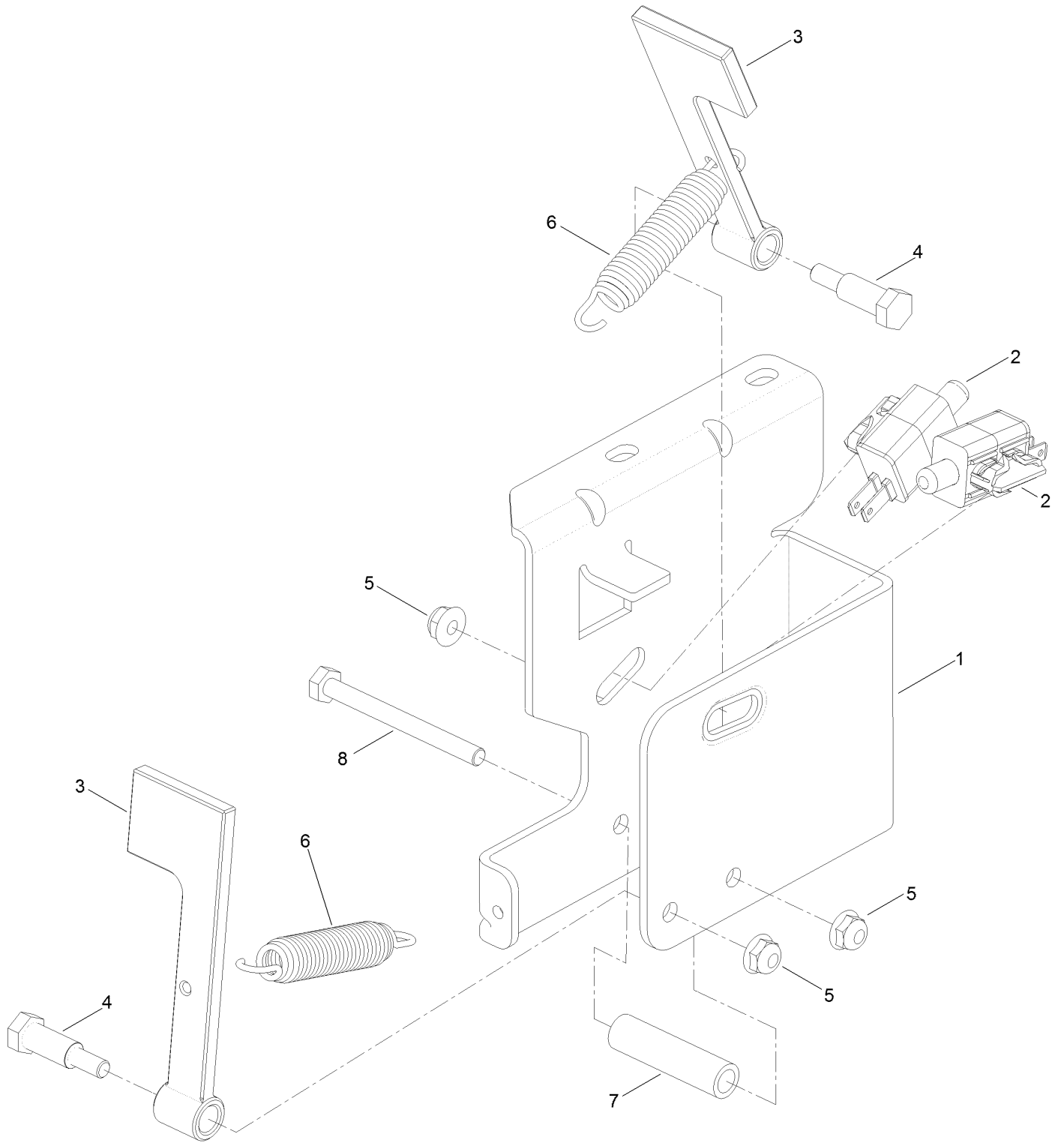
# Speed Control Assembly



## Speed Control Assembly (continued)

<i>Ref.</i>	<i>Part Number</i>	<i>Qty.</i>	<i>Description</i>	<i>Ref.</i>	<i>Part Number</i>	<i>Qty.</i>	<i>Description</i>
1	131-0904	1	Speed Control ASM	18	99-6810	2	Screw-HHF
1:10	131-8667	12	Washer-Thrust	19	131-0903	1	Neutral Return ASM
1:11	32120-18	8	E-Ring	20	131-1034	1	Spacer
2	127-0115	1	Rod-Hydro, RH	21	104-8300	3	Nut-HF, NI
3	127-0116	1	Rod-Hydro, LH	22	322-10	1	Screw-HH
4	2411-33	3	Balljoint-RH (W/Grommet)	23	70-1160	2	Washer
5	3220-2	4	Nut-Jam	24	324-4	1	Screw-HH
6	130-6887	1	Mount-Pedal Pivot	25	84-1560	1	Washer-Thrust
7	132-6907	1	Pivot Lever ASM	26	98-9040	1	Pad-Toe, Hydro Pedal
8	127-3397	1	Roller	27	98-9039	1	Pad-Heel, Hydro Pedal
9	56-6590	1	Bolt-Wheel	28	32112-6	6	Nut-Push
10	104-8301	1	Nut-HF, NI	29	132-6917	2	Ball Stud
11	3296-42	4	Nut-Lock, NI	30	3296-4	3	Nut-Lock
12	1-543017	1	Balljoint-RH	31	130-6910-03	1	Bracket-Damper
13	130-6906	1	Rod-Threaded	32	131-1041	2	Cover-End Rod
14	133-1171	1	Damper-Non Cavitating	33	32144-44	2	Screw-HWH, Thread Roll
15	3234-47	4	Screw-HHF	34	32144-70	2	Screw-HWHTF
16	32151-48	1	E-Ring	35	131-8736	1	Spacer-Bearing
17	132-6865-01	1	Pedal-Traction	36	132-6863	1	Decal-Release, Break

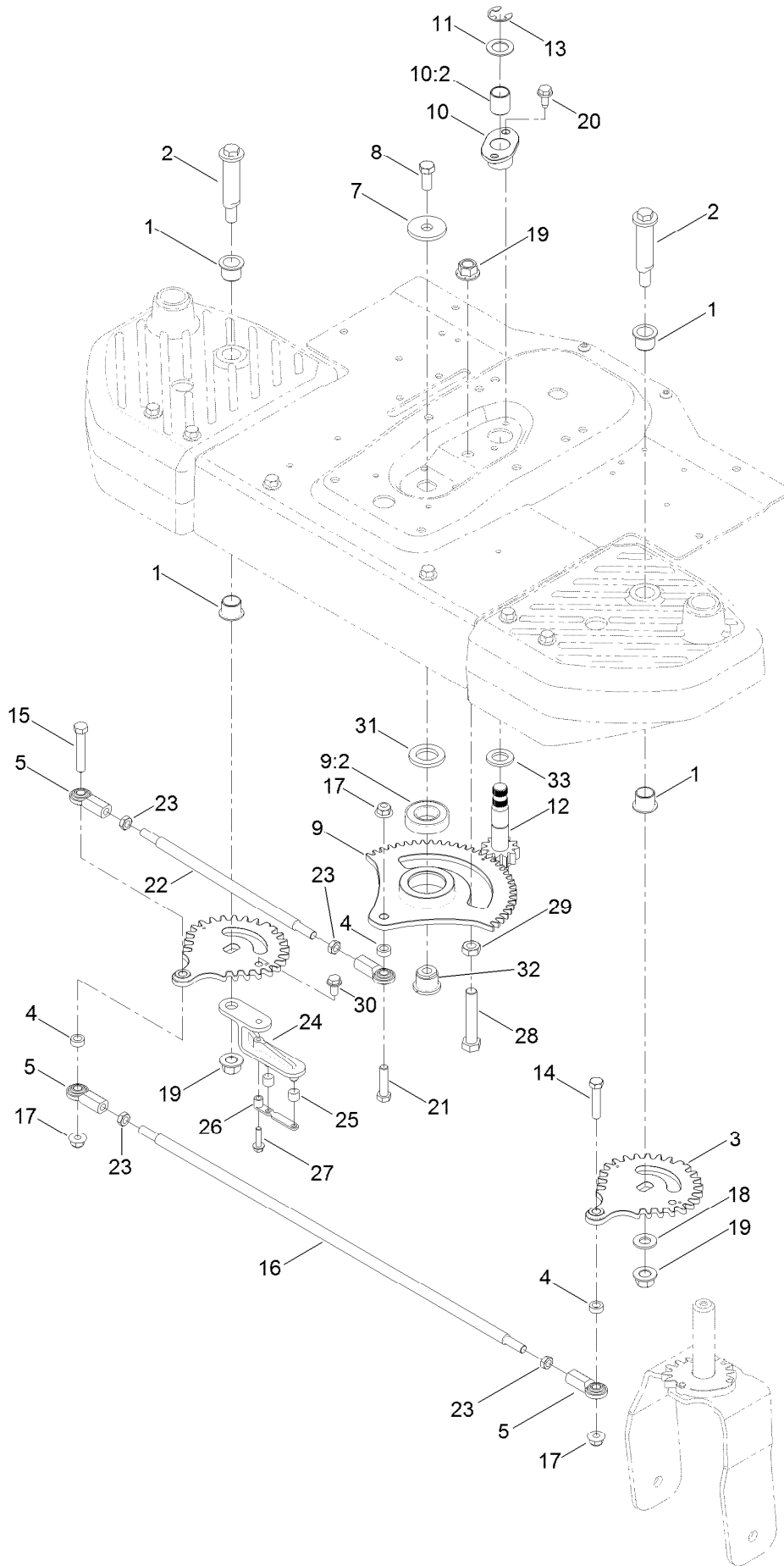
# Neutral Return Assembly No. 131-0903



## Neutral Return Assembly No. 131-0903 (continued)

<i>Ref.</i>	<i>Part Number</i>	<i>Qty.</i>	<i>Description</i>	<i>Ref.</i>	<i>Part Number</i>	<i>Qty.</i>	<i>Description</i>
1	132-0909-03	1	Bracket-Switch	5	104-7201	3	Nut-HF
2	110-6765	2	Switch	6	132-6915	2	Spring-Extension
3	130-0782	2	Arm-Switch	7	131-3976	1	Spacer
4	119-2309	2	Bolt-Shoulder	8	321-14	1	Screw-HH

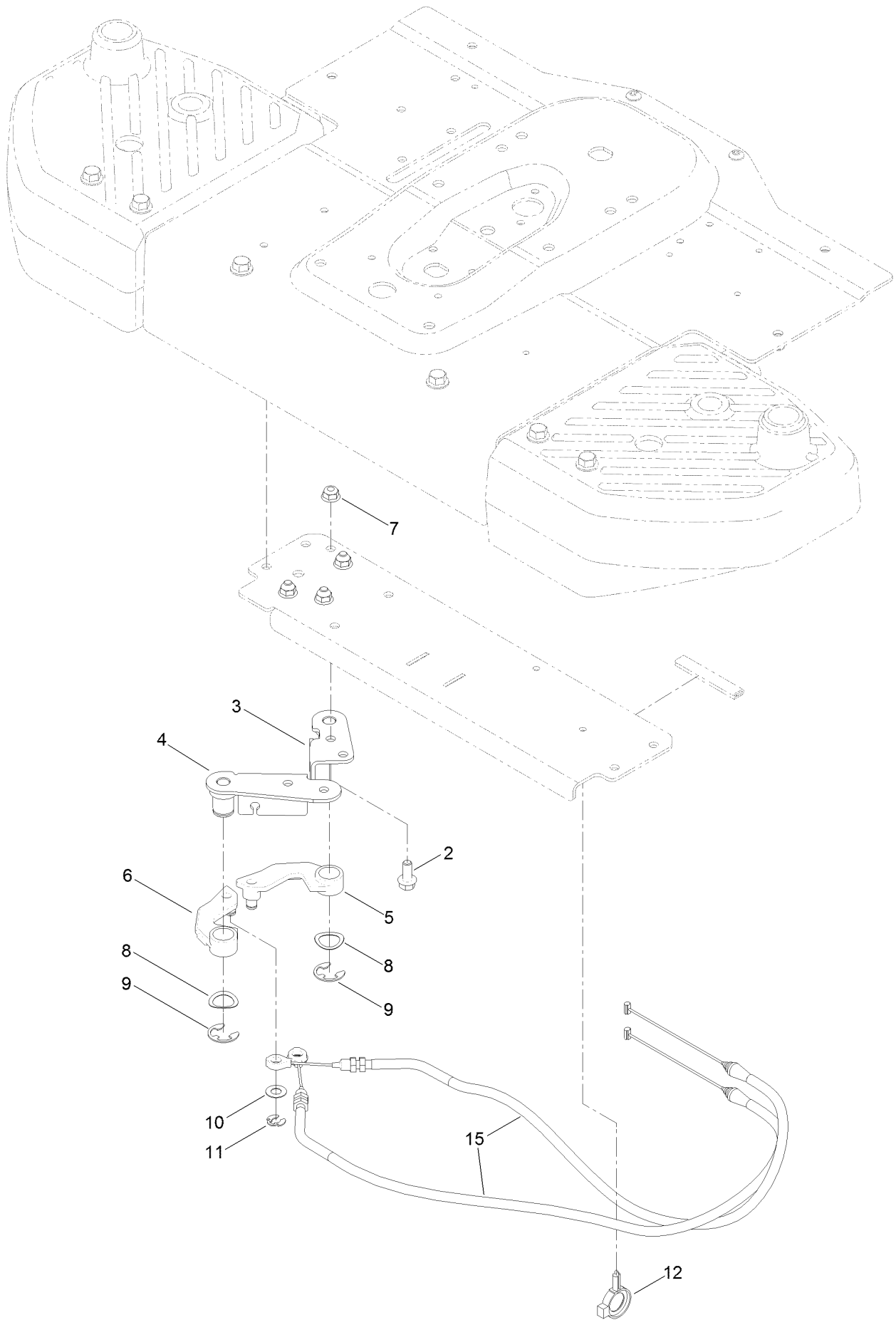
# Steering Gear Assembly



## Steering Gear Assembly (continued)

<i>Ref.</i>	<i>Part Number</i>	<i>Qty.</i>	<i>Description</i>	<i>Ref.</i>	<i>Part Number</i>	<i>Qty.</i>	<i>Description</i>
1	103-4398	4	Bearing-Flange, Iglide	17	104-8301	3	Nut-HF, NI
2	131-1031	2	Bolt-Shoulder	18	3256-26	1	Washer-Flat
3	130-0830	2	Gear-Wheel, 30 Tooth	19	99-5107	3	Nut-Lock
4	83-1050	3	Spacer	20	32144-70	2	Screw-HWHTF
5	103-0608	4	Joint-Ball, End	21	323-8	1	Screw-HH
7	84-1560	1	Washer-Thrust	22	131-1036	1	Rod-Steering, Narrow
8	324-4	1	Screw-HH	23	3220-3	4	Nut-HJ
9	131-8731	1	Sector Gear ASM	24	130-6878	1	Lever-Cable
9:2	109-3678	1	Bearing-Ball	25	131-3951	2	Bushing
10	131-8733	1	Flange Bearing ASM	26	131-3950	1	Strap-Roller
10:2	115-7019	1	Bushing-Straight	27	32144-86	1	Screw-HWHTF
11	119-7640	1	Washer-Thrust	28	325-11	1	Screw-HH
12	125-5508	1	Lower Steering Shaft ASM	29	3218-5	1	Nut-Jam
13	32151-48	1	E-Ring	30	32144-14	1	Screw-HWHTF
14	323-9	1	Screw-HH	31	131-8736	1	Spacer-Bearing
15	323-11	1	Screw-HH	32	131-8737	1	Pivot-Bearing
16	131-1035	1	Rod-Cross, Narrow	33	70-1160	1	Washer

# Steering Cable Assembly

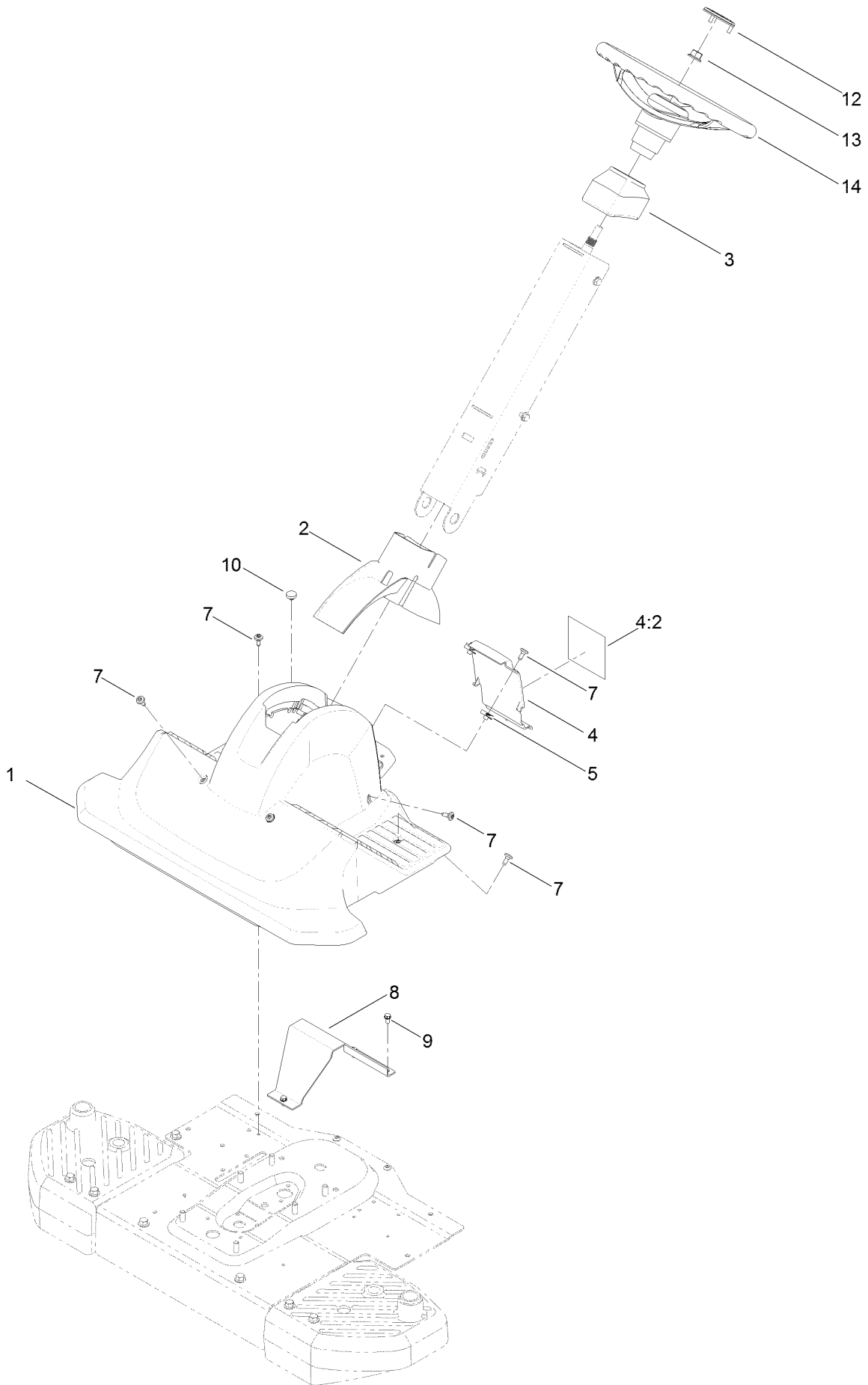




## Steering Cable Assembly (continued)

<i>Ref.</i>	<i>Part Number</i>	<i>Qty.</i>	<i>Description</i>	<i>Ref.</i>	<i>Part Number</i>	<i>Qty.</i>	<i>Description</i>
2	3234-47	4	Screw-HHF	8	7896	2	Washer-Bowed
3	132-6943	1	Cable Bracket ASM	9	32151-48	2	E-Ring
4	132-6944	1	Cable Bracket ASM	10	37-8080	2	Washer-Thrust
5	131-3623	1	Arm-Cable, RH	11	32151-47	2	Ring-Retaining
6	131-3647	1	Arm-Cable, LH	12	105-1853	1	Clamp-Hose
7	104-8300	4	Nut-HF, NI	15	127-0118	2	Cable-Steering

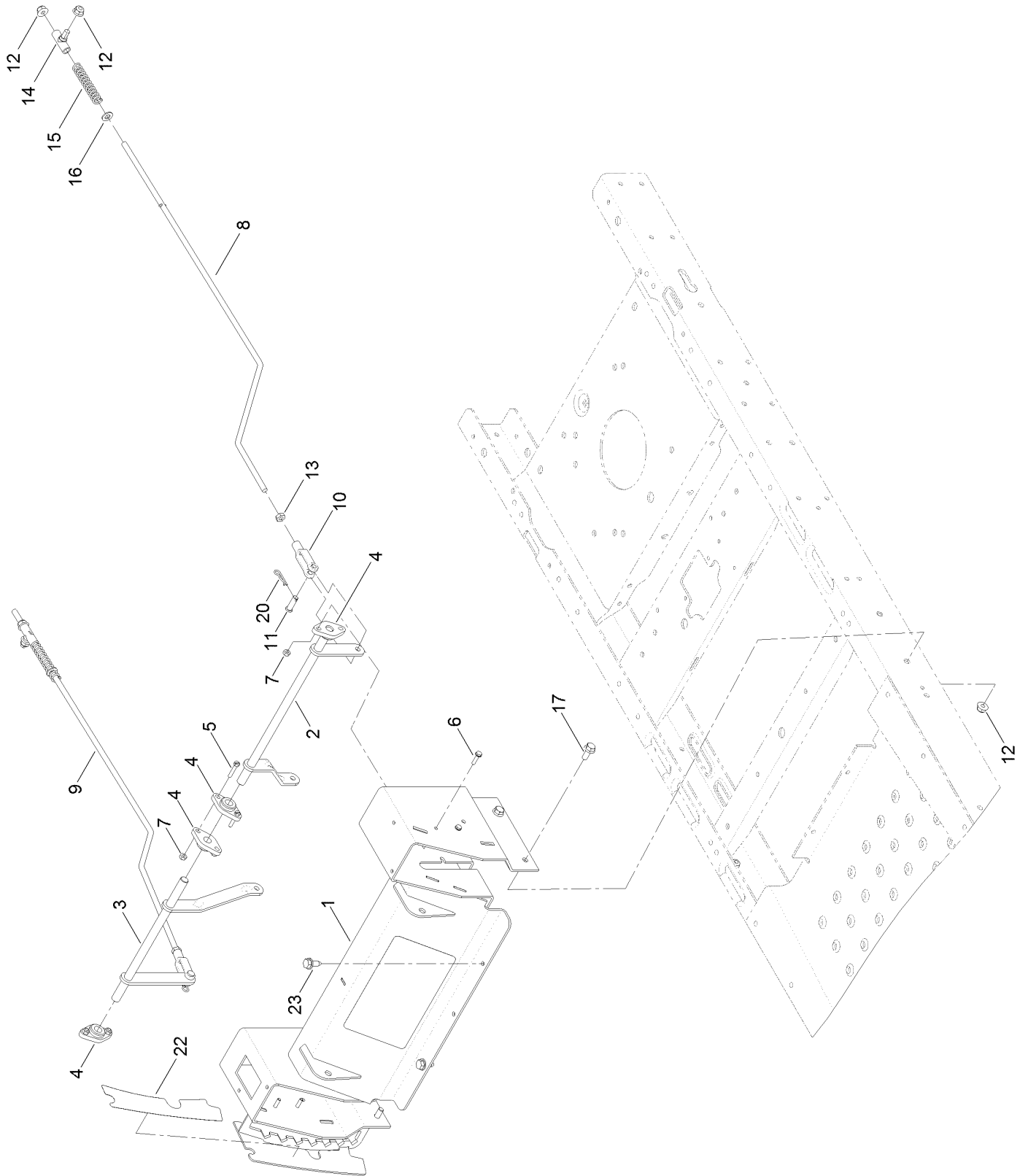
# Steering Assembly



## Steering Assembly (continued)

<i>Ref.</i>	<i>Part Number</i>	<i>Qty.</i>	<i>Description</i>	<i>Ref.</i>	<i>Part Number</i>	<i>Qty.</i>	<i>Description</i>
1	133-1152	1	Shroud-Styling, Front	8	131-1029-03	1	Support-Footrest
2	131-1028	1	Cover-Pivot, Column	9	32144-4	3	Screw-HWH
3	131-1066	1	Cap-Column	10	1-513658	1	Bumper
4	131-4099	1	Rear Cover And Decal ASM	12	131-3630	1	Cap-Wheel, Steering
4:2	132-0870	1	Decal-Danger	13	99-5107	1	Nut-Lock
5	107069	2	Clip	14	131-0957	1	Wheel-Steering
7	120-7950	9	Screw-Shoulder				

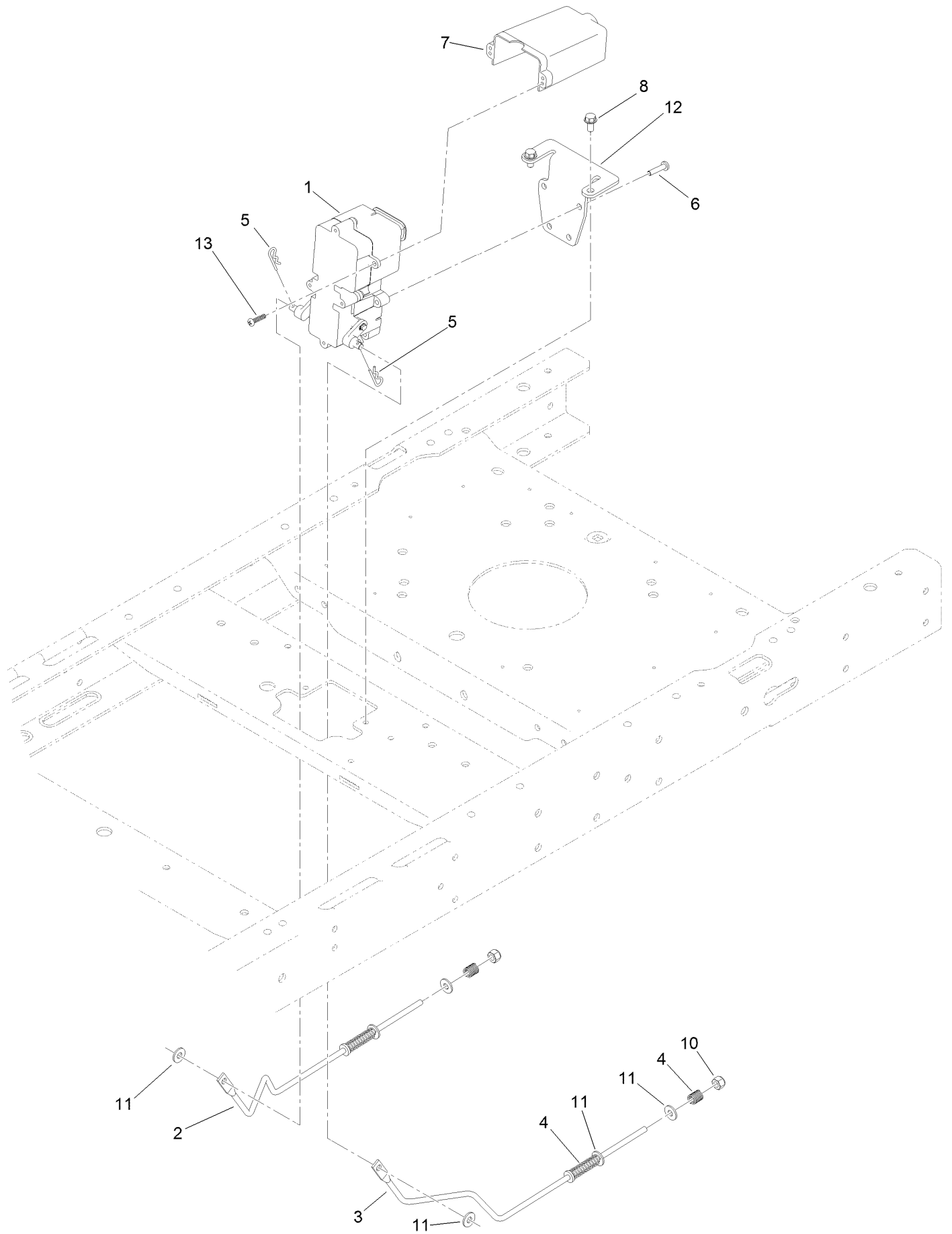
# Motion Control Assembly



## Motion Control Assembly (continued)

<i>Ref.</i>	<i>Part Number</i>	<i>Qty.</i>	<i>Description</i>	<i>Ref.</i>	<i>Part Number</i>	<i>Qty.</i>	<i>Description</i>
1	130-6898-03	1	Control Box ASM	11	1-808280	2	Pin-Clevis
2	132-6884	1	Bellcrank-LH	12	104-8300	8	Nut-HF, NI
3	132-6890	1	Bellcrank-RH	13	3220-2	2	Nut-Jam
4	127-0146	4	Bearing-Flange	14	119-8842	2	Mount-Rod, Hydro
5	32105-12	2	Screw	15	1-603807	2	Spring-Return, Neutral
6	3290-126	4	Screw-HWH	16	3256-23	2	Washer-Plain
7	3296-2	6	Nut-Lock, NI	17	3234-47	4	Screw-HHF
8	125-1812	1	Rod-Hydro, LH	20	1-806003	2	Pin-Cotter
9	127-3378	1	Rod-Hydro, RH	22	120-5469	1	Decal-HOC, CE
10	1-303105	2	Yoke-Adjustable	23	32144-70	2	Screw-HWHTF

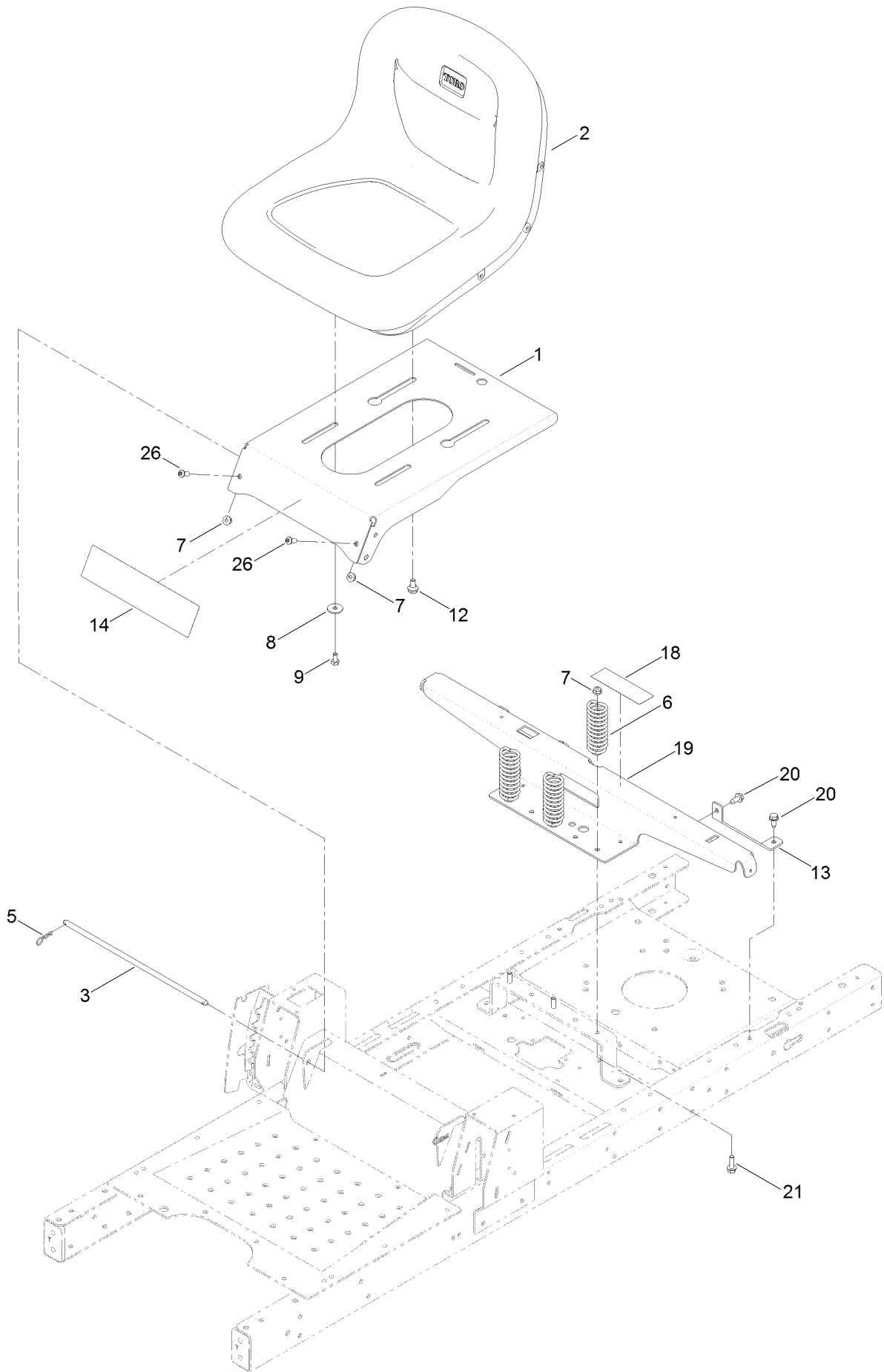
# Brake Assembly



## Brake Assembly (continued)

<i>Ref.</i>	<i>Part Number</i>	<i>Qty.</i>	<i>Description</i>	<i>Ref.</i>	<i>Part Number</i>	<i>Qty.</i>	<i>Description</i>
1	130-0795	1	Brake Box ASM	7	130-6974	1	Cover-Connector
2	121-2974	1	Rod-Brake, RH	8	32144-4	2	Screw-HWH
3	121-2975	1	Rod-Brake, LH	10	3296-42	2	Nut-Lock, NI
4	117-1169	4	Spring-Compression	11	119-8952	6	Washer
5	3290-307	2	Pin-Cotter	12	130-0790-03	1	Bracket-Mount, Brake
6	32144-36	4	Screw-PPH	13	94-4496	2	Screw-PPH

# Seat Assembly

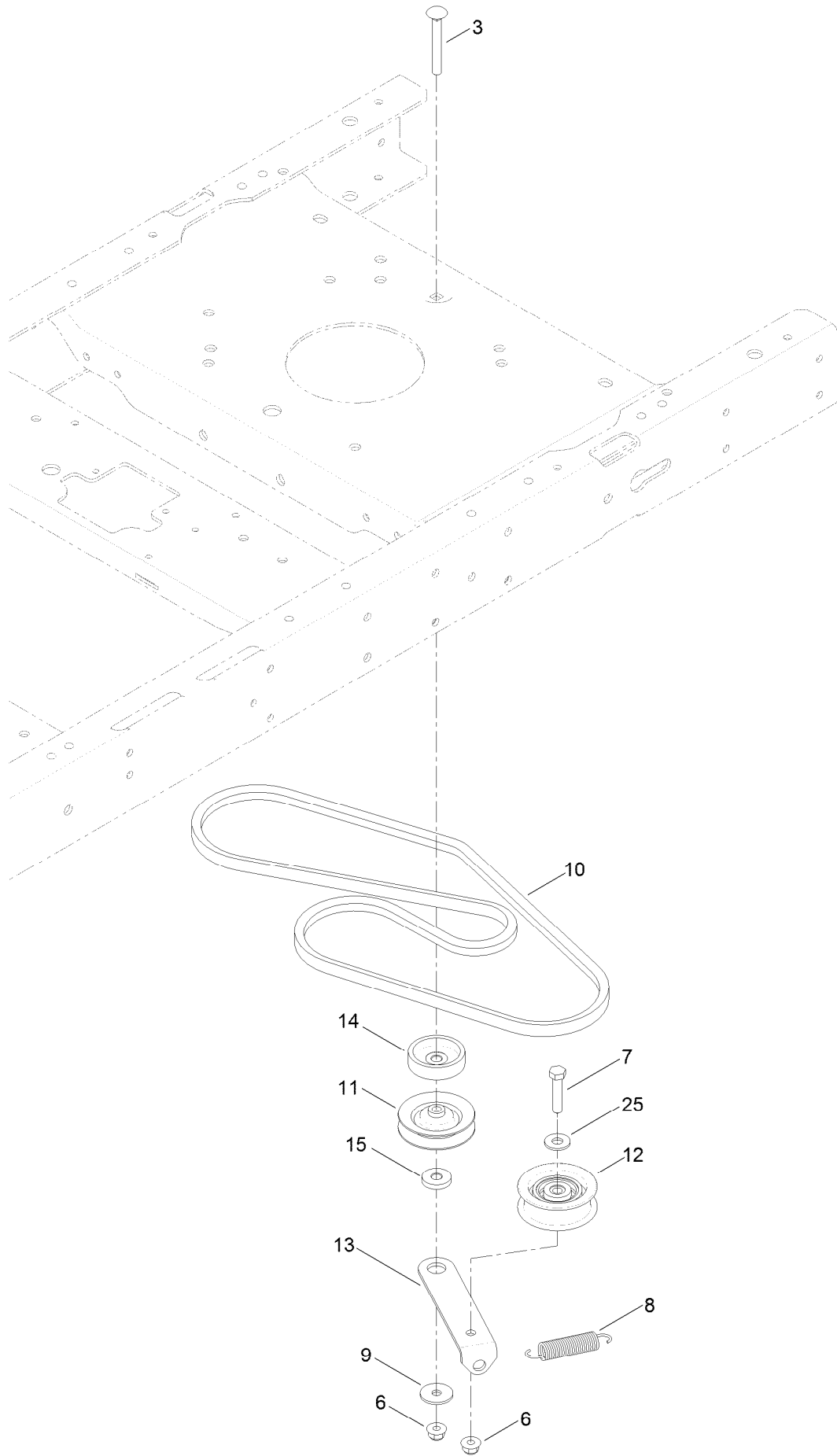




## Seat Assembly (continued)

<i>Ref.</i>	<i>Part Number</i>	<i>Qty.</i>	<i>Description</i>	<i>Ref.</i>	<i>Part Number</i>	<i>Qty.</i>	<i>Description</i>
1	131-4037-01	1	Pan-Seat	12	37-8771	2	Bolt-Shoulder
2	119-8828	1	Seat-15 Inch	13	119-3431-03	2	Support-Tank, Rear
3	119-3433	1	Rod-Pivot, Narrow	14	131-3656	1	Decal-Timecutter
5	3290-250	2	Pin-Cotter	18	106-8717	1	Decal-Service, CE
6	92-7054	3	Spring-Compression	19	131-1040-03	1	Support-Pod
7	104-8300	5	Nut-HF, NI	20	32144-70	4	Screw-HWHTF
8	5-4460	2	Washer-Pivot	21	3234-29	3	Screw-HHF
9	322-2	2	Screw-HH	26	3274-55	2	Screw-HSBH

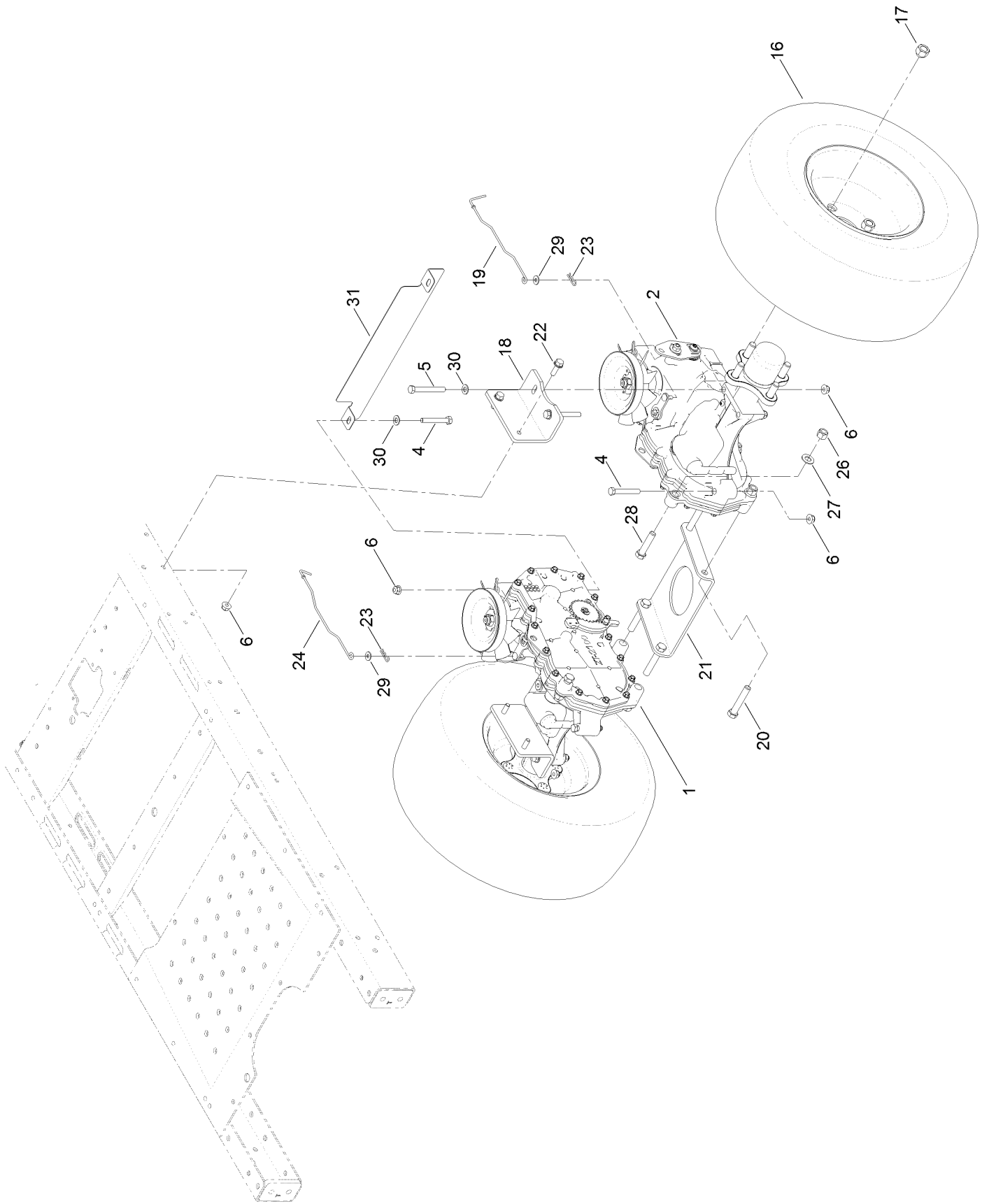
# Belt and Idler Assembly



## Belt and Idler Assembly (continued)

<i>Ref.</i>	<i>Part Number</i>	<i>Qty.</i>	<i>Description</i>	<i>Ref.</i>	<i>Part Number</i>	<i>Qty.</i>	<i>Description</i>
3	3230-8	1	Screw-CARR	11	119-8822	1	Pulley-Idler
6	104-8300	2	Nut-HF, NI	12	106-2176	1	Pulley-Idler
7	322-7	1	Screw-HH	13	119-3326	1	Arm-Idler
8	104-6415	1	Spring-Return, Pedal	14	119-3353	1	Spacer
9	5-4460	1	Washer-Pivot	15	119-3327	1	Spacer-Arm, Idler
10	130-6975	1	V-Belt	25	3256-3	1	Washer-Flat

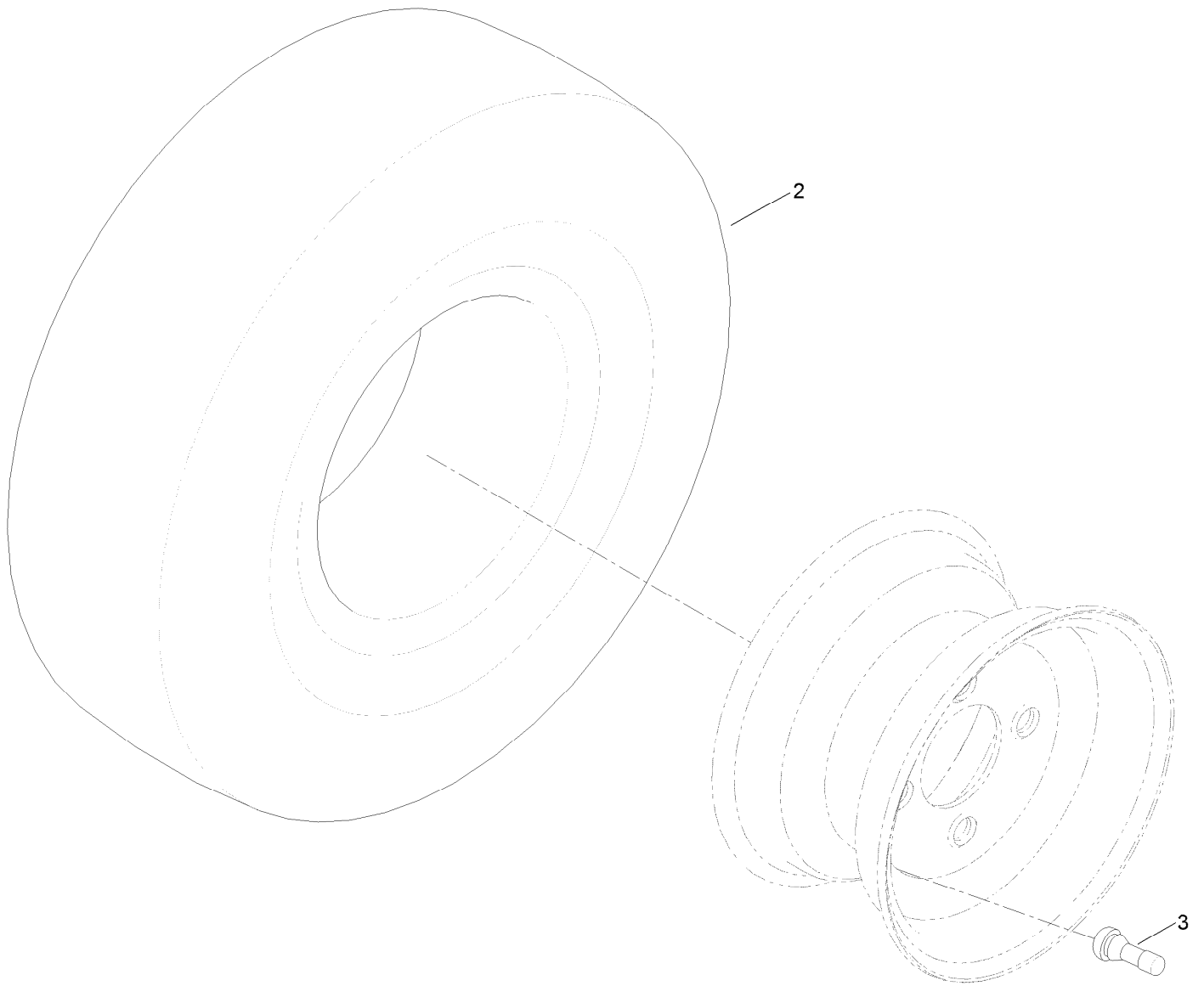
# Hydro Transaxle Assembly



## Hydro Transaxle Assembly (continued)

<i>Ref.</i>	<i>Part Number</i>	<i>Qty.</i>	<i>Description</i>	<i>Ref.</i>	<i>Part Number</i>	<i>Qty.</i>	<i>Description</i>
1	119-3331	1	RH Hydro Transaxle ASM	21	119-3339-03	1	Plate-Cross, Hydro
2	119-3330	1	LH Hydro Transaxle ASM	22	3234-29	4	Screw-HHF
4	322-11	4	Screw-HH	23	3290-307	2	Pin-Cotter
5	322-13	4	Screw-HH	24	130-7049	1	Rod-Bypass, RH
6	104-8300	12	Nut-HF, NI	26	3296-48	6	Nut-Lock, NI
16	131-3670	2	2 Ply Tire And Wheel ASM	27	3256-25	6	Washer-Flat
17	242-50	8	Nut-Lug	28	324-8	2	Screw-HH
18	117-7264-03	2	Mount-Hydro	29	119-8952	2	Washer
19	131-0900	1	Rod-Bypass, LH	30	3256-23	6	Washer-Plain
20	324-10	4	Screw-HH	31	131-3668-03	1	Guard Rear, Narrow

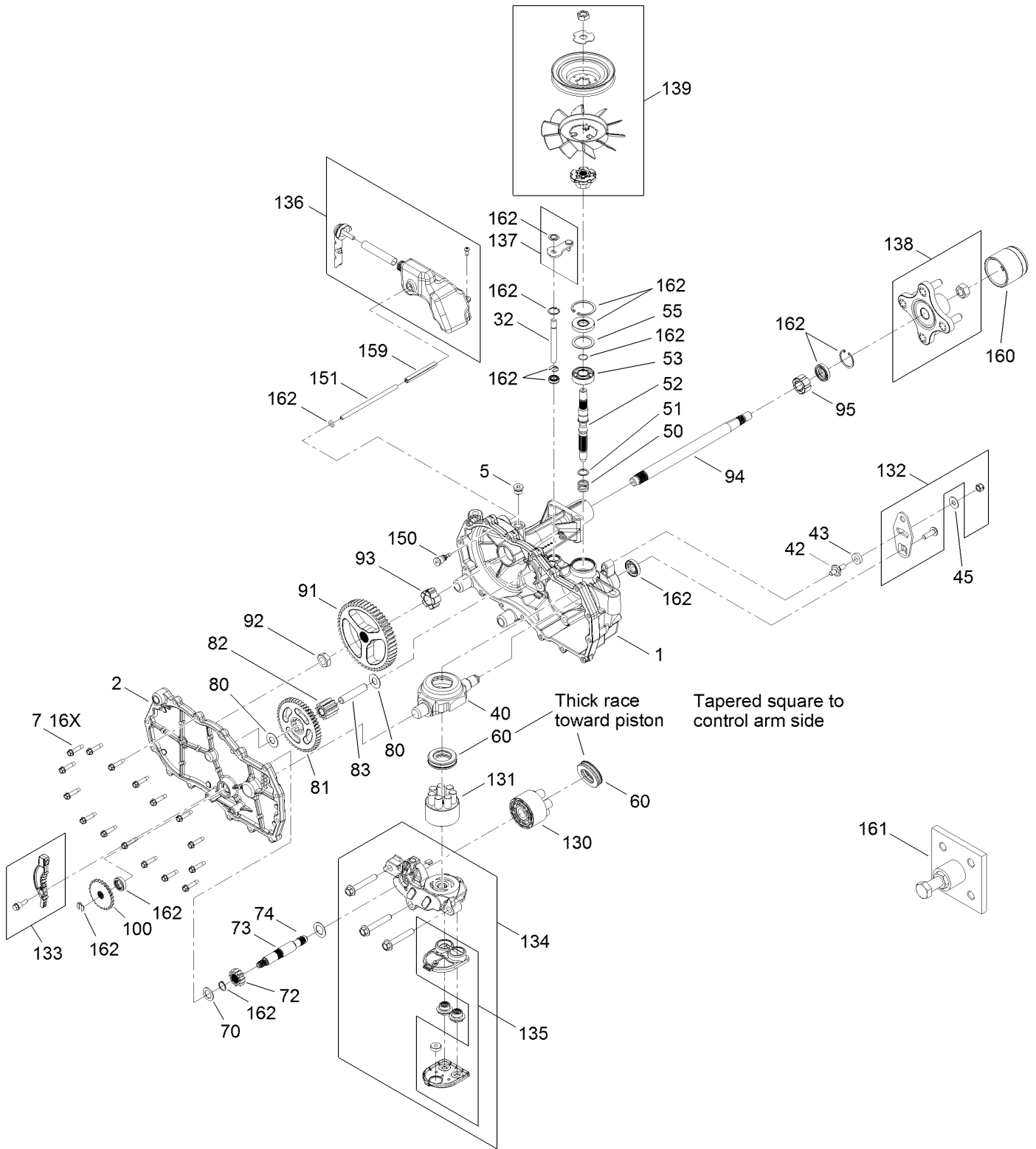
# 2 Ply Wheel and Tire Assembly No. 131-3670



## 2 Ply Wheel and Tire Assembly No. 131-3670 (continued)

<i>Ref.</i>	<i>Part Number</i>	<i>Qty.</i>	<i>Description</i>
2	131-3677	1	Tire-2 Ply
3	232-27	1	Stem-Valve

# Right Hand Hydro Transaxle Assembly No. 119-3331



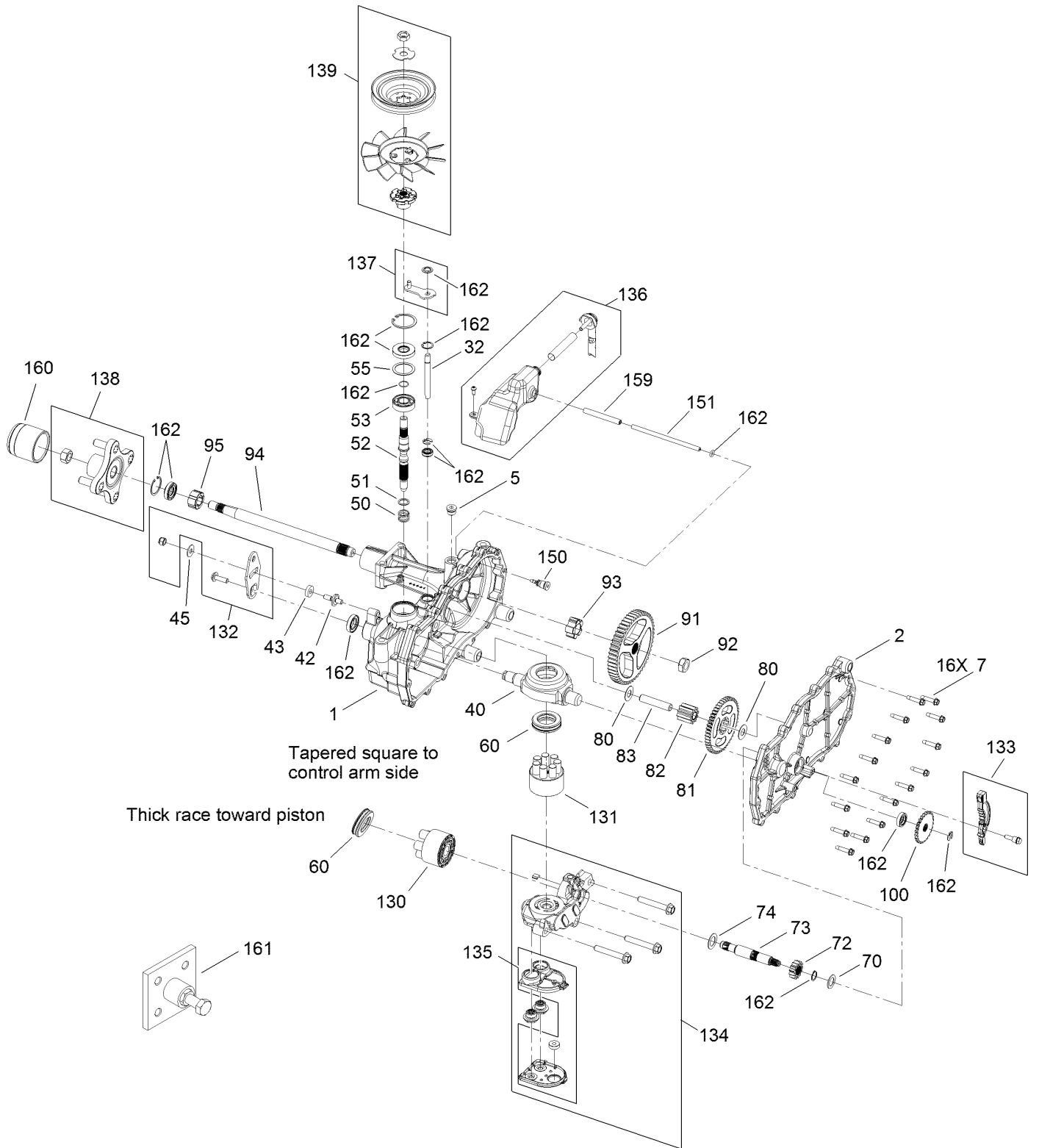


# Right Hand Hydro Transaxle Assembly No. 119-3331 (continued)

<i>Ref.</i>	<i>Part Number</i>	<i>Qty.</i>	<i>Description</i>	<i>Ref.</i>	<i>Part Number</i>	<i>Qty.</i>	<i>Description</i>
1	120-5531	1	Main Housing ASM	83	104-5329	1	Pin-Jackshaft
2	120-5533	1	Housing Side Kit	91	120-5539	1	Gear-Bull
5	104-2189	1	Plug-Thread, Straight	92	104-2142	1	Nut-HJ
7	117-5359	16	Screw-HHF	93	115-8314	1	Bushing-Inboard
13	104-2147	1	Sealant ●	94	120-5540	1	Shaft-Axle
32	106-8678	2	Rod-Bypass	95	120-5541	1	Bearing-Sleeve
40	104-5304	1	Swashplate-Trunnion	100	106-8694	1	Disc-Brake, Cog
42	104-2116	1	Stud	130	103-2666	1	Cylinder Block Kit
43	112-9853	1	Puck-Friction	131	110-8561	1	Pump Block ASM
45	114-8491	1	Washer	132	117-5362	1	Control Arm Kit
50	120-5537	1	Spring-Compression	133	106-8688	1	Brake Arm Kit
51	120-5538	1	Washer	134	112-9862	1	Center Section Filter Kit
52	104-5306	1	Shaft-Input	135	114-1634	1	Filter Kit
53	104-5311	1	Bearing-Ball	136	121-5735	1	LH Expansion Tank Kit
55	104-5308	1	Spacer	137	107-2489	1	Bypass Arm Kit
60	94-6922	1	Bearing-Thrust	138	121-5731	1	Hub Kit
70	104-5339	1	Washer-Flat	139	121-5729	1	Fan Pulley Kit
72	104-5316	1	Gear-Pinion, 13T	150	104-5349	1	Fitting-SAE
73	106-8683	1	Shaft-Motor	151	115-8302	1	Hose
74	104-5360	1	Washer	159	121-5728	1	Case-Tube
80	119-5541	2	Washer	160	125-0041	1	Cap-Axle
81	104-5317	1	Gear-10T/48T	161	114-8467	1	Puller-Hub, 4 Bolt
82	104-5318	1	Gear-Jackshaft, 10T	162	120-7103	1	Seal And Ring Kit

● Not illustrated

# Left Hand Hydro Transaxle Assembly No. 119-3330

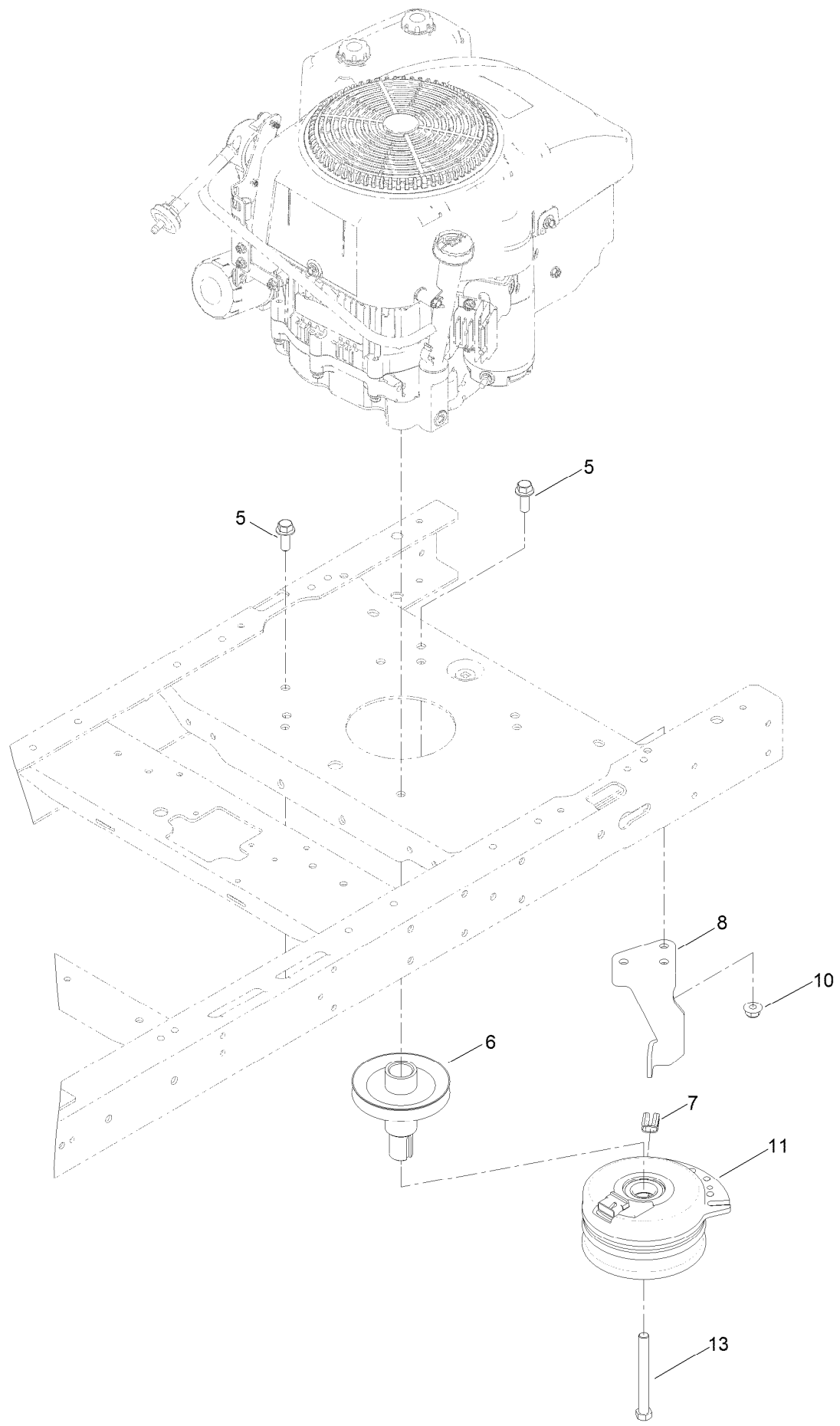


# Left Hand Hydro Transaxle Assembly No. 119-3330 (continued)

<i>Ref.</i>	<i>Part Number</i>	<i>Qty.</i>	<i>Description</i>	<i>Ref.</i>	<i>Part Number</i>	<i>Qty.</i>	<i>Description</i>
1	120-5532	1	Main Housing ASM	83	104-5329	1	Pin-Jackshaft
2	120-5534	1	Housing Side Kit	91	120-5539	1	Gear-Bull
5	104-2189	1	Plug-Thread, Straight	92	104-2142	1	Nut-HJ
7	117-5359	16	Screw-HHF	93	115-8314	1	Bushing-Inboard
13	104-2147	1	Sealant ●	94	120-5540	1	Shaft-Axle
32	106-8678	2	Rod-Bypass	95	120-5541	1	Bearing-Sleeve
40	104-5304	1	Swashplate-Trunnion	100	106-8694	1	Disc-Brake, Cog
42	104-2116	1	Stud	130	103-2666	1	Cylinder Block Kit
43	112-9853	1	Puck-Friction	131	110-8561	1	Pump Block ASM
45	114-8491	1	Washer	132	117-5362	1	Control Arm Kit
50	120-5537	1	Spring-Compression	133	106-8688	1	Brake Arm Kit
51	120-5538	1	Washer	134	112-9861	1	Center Section Filter Kit
52	104-5306	1	Shaft-Input	135	114-1634	1	Filter Kit
53	104-5311	1	Bearing-Ball	136	121-5730	1	RH Expansion Tank Kit
55	104-5308	1	Spacer	137	120-5549	1	Bypass Kit
60	94-6922	1	Bearing-Thrust	138	121-5731	1	Hub Kit
70	104-5339	1	Washer-Flat	139	121-5729	1	Fan Pulley Kit
72	104-5316	1	Gear-Pinion, 13T	150	104-5349	1	Fitting-SAE
73	106-8683	1	Shaft-Motor	151	115-8302	1	Hose
74	104-5360	1	Washer	159	121-5728	1	Case-Tube
80	119-5541	2	Washer	160	125-0041	1	Cap-Axle
81	104-5317	1	Gear-10T/48T	161	114-8467	1	Puller-Hub, 4 Bolt
82	104-5318	1	Gear-Jackshaft, 10T	162	120-7103	1	Seal And Ring Kit

● Not illustrated

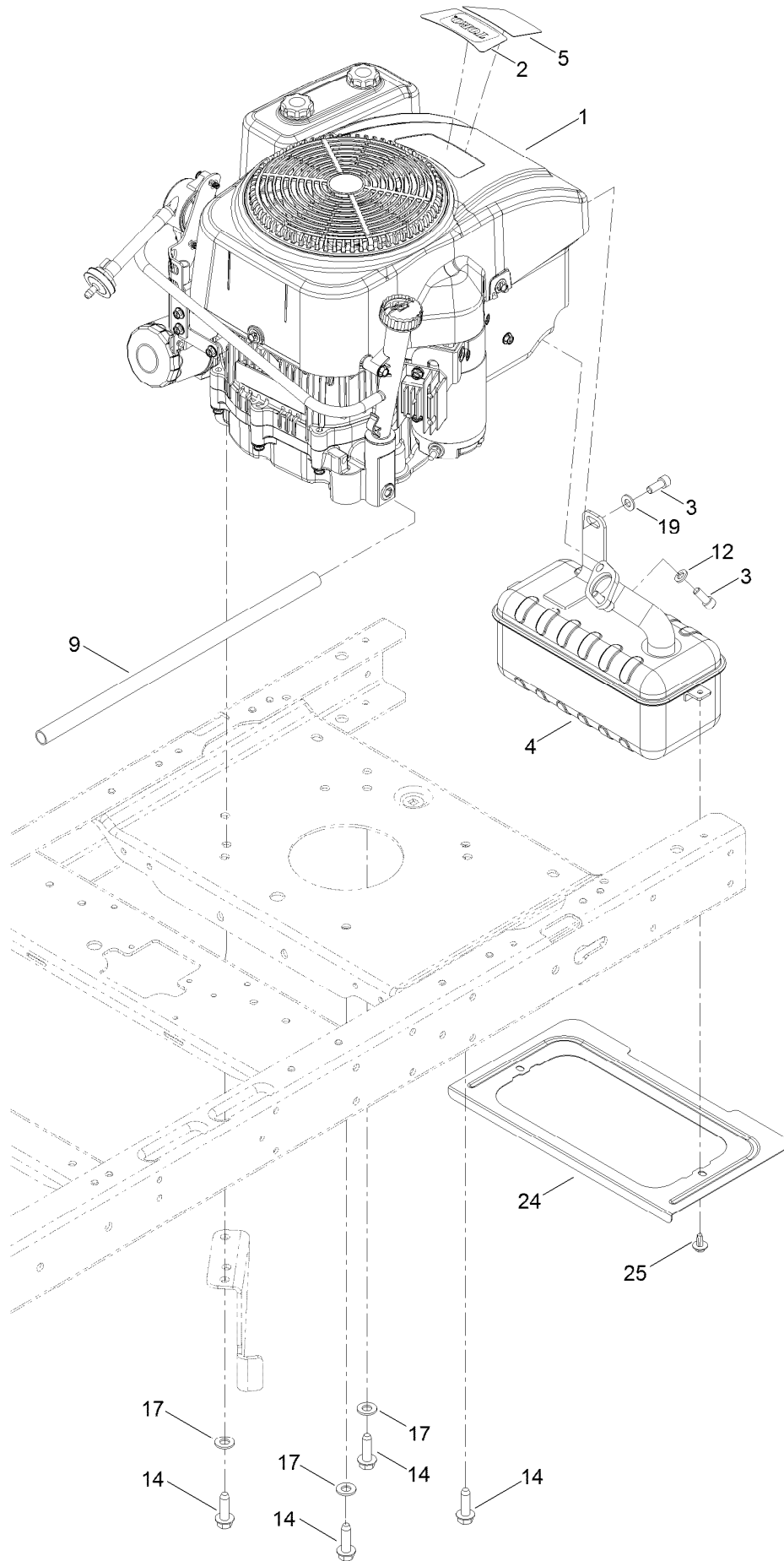
# Clutch Assembly



## Clutch Assembly (continued)

<i>Ref.</i>	<i>Part Number</i>	<i>Qty.</i>	<i>Description</i>	<i>Ref.</i>	<i>Part Number</i>	<i>Qty.</i>	<i>Description</i>
5	3234-42	1	Screw-HHF	10	104-8301	1	Nut-HF, NI
6	130-6854	1	Pulley-Engine	11	125-0038	1	Clutch-Electric
7	120-2217	1	Isolator-Clutch	13	3212-16	1	Screw-HH
8	119-8884	1	Stop-Clutch (Narrow)				

# Engine and Muffler Assembly

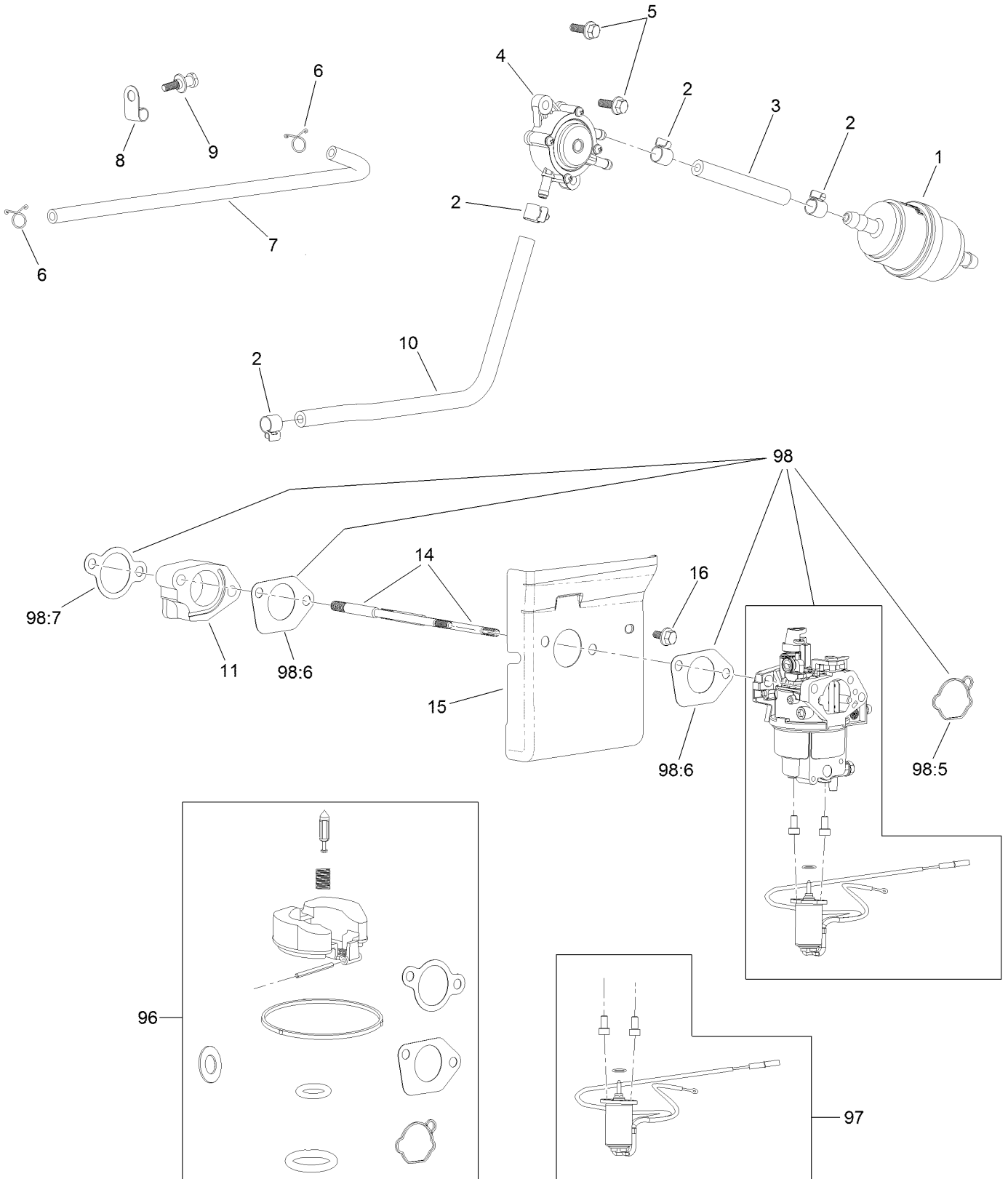


## Engine and Muffler Assembly (continued)

<i>Ref.</i>	<i>Part Number</i>	<i>Qty.</i>	<i>Description</i>	<i>Ref.</i>	<i>Part Number</i>	<i>Qty.</i>	<i>Description</i>
1	127-9358	1	Engine-1P92F-1	12	3253-4	2	Washer-Lock
2	125-1700	1	Decal-Engine	14	32144-109	4	Screw-Taptite
3	3274-10	3	Screw-HSH	17	3256-24	3	Washer-Flat
4	130-0691	1	Muffler	19	3256-23	1	Washer-Plain
5	130-0682	1	Decal-Displacement, Engine	24	131-1071-03	1	Shield-Heat
9	106-7022	1	Tube-Drain, Oil	25	46-8560	2	Screw-HHFTF

# Fuel System Assembly

## Engine Assembly No. 127-9358





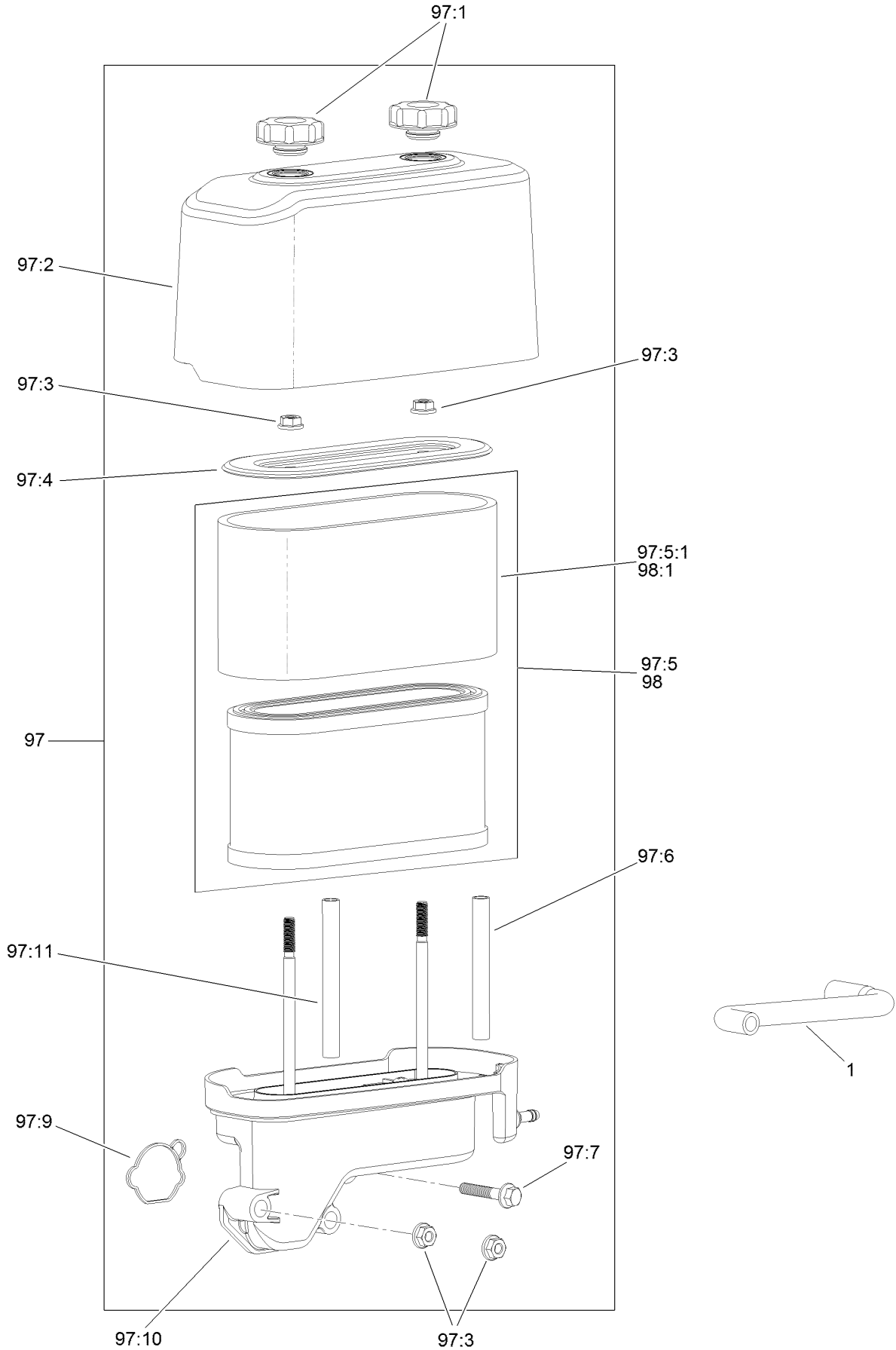
# Fuel System Assembly

## Engine Assembly No. 127-9358 (continued)

<i>Ref.</i>	<i>Part Number</i>	<i>Qty.</i>	<i>Description</i>	<i>Ref.</i>	<i>Part Number</i>	<i>Qty.</i>	<i>Description</i>
1	133-1563	1	Filter-Fuel	14	120-4202	2	Stud-Mount, Carburetor
2	120-4251	4	Clamp-Fuel Line	15	120-4248	1	Shield-Heat
3	120-4371	1	Line-Fuel	16	120-4216	1	Screw-HHF
4	120-4353	1	Pump-Pulse, Fuel	96	127-9194	1	Carb Repair Kit With Gaskets
5	120-4232	2	Screw-HHF	97	127-9190	1	Solenoid Kit
6	121-0114	2	Clamp-Hose	98	127-9183	1	Carburetor Kit
7	120-4372	1	Line-Pulse	98:5	127-9185	1	Gasket-Carburetor
8	120-4287	1	Clamp-J	98:6	120-4247	2	Gasket-Carburetor
9	120-4217	1	Screw-Shoulder, HH	98:7	120-4250	1	Gasket-Carburetor
10	120-4370	1	Line-Fuel	99	127-9362	1	High Altitude Kit (1P92)●
11	120-4249	1	Insulator-Carburetor				

● Not illustrated

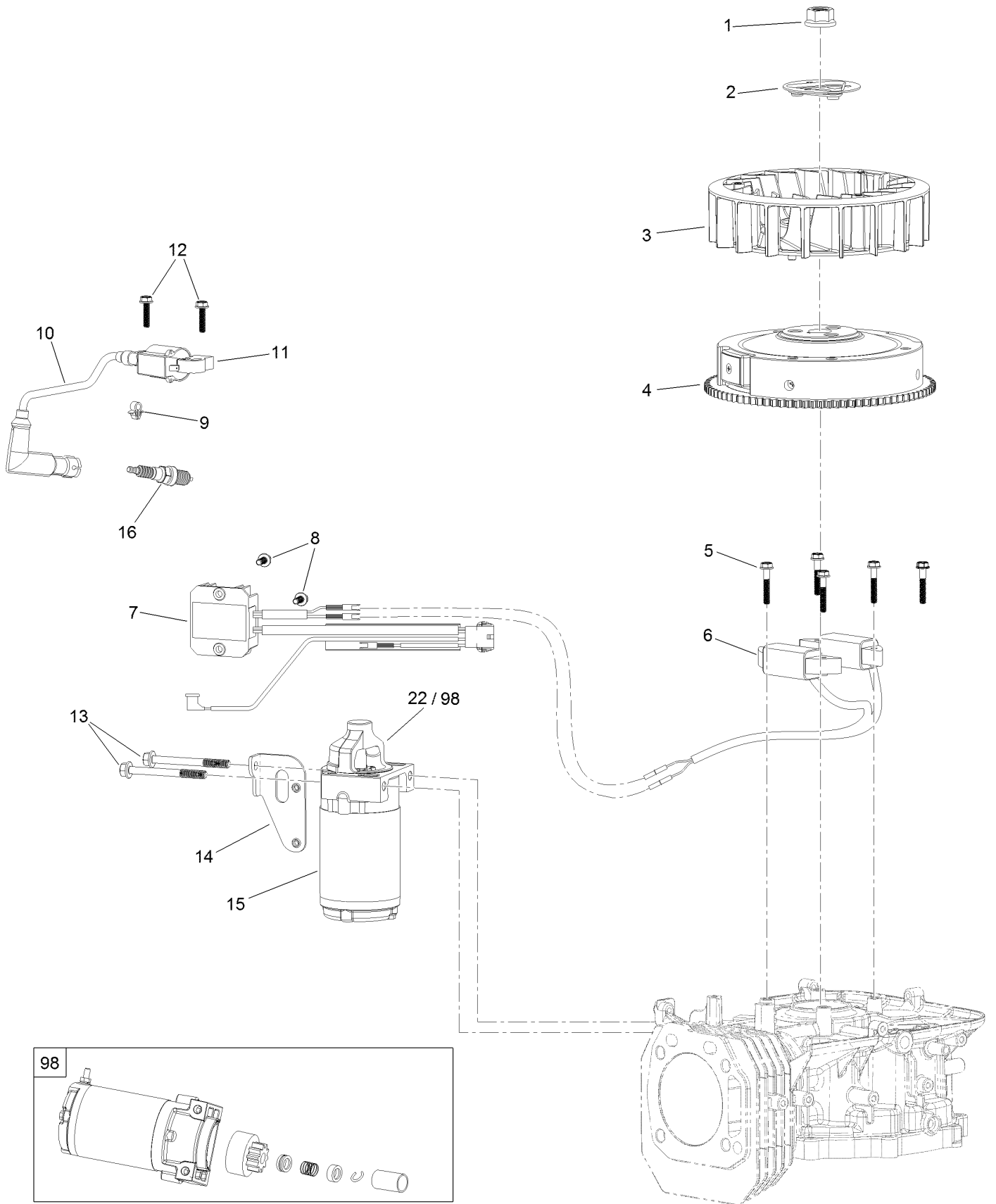
# Air Intake and Filtration Assembly Engine Assembly No. 127-9358



## Air Intake and Filtration Assembly Engine Assembly No. 127-9358 (continued)

<i>Ref.</i>	<i>Part Number</i>	<i>Qty.</i>	<i>Description</i>	<i>Ref.</i>	<i>Part Number</i>	<i>Qty.</i>	<i>Description</i>
1	120-4255	1	Tube-Breather	97:6	120-4333	1	Spacer-Filter, Air
97	127-9186	1	Air Cleaner Kit	97:7	120-4284	1	Screw-HHF
97:1	120-4312	2	Nut-Speed	97:9	127-9185	1	Gasket-Carburetor
97:2	120-4311	1	Cover-Filter, Air	97:10	127-9191	1	Base-Filter, Air
97:3	120-4236	4	Nut-Flange	97:11	120-4334	1	Spacer-Filter, Air
97:4	120-4310	1	Retainer-Air Filter	98	127-9193	1	Air Filter Kit
97:5	127-9193	1	Air Filter Kit	98:1	120-4309	1	Prefilter
97:5:1	120-4309	1	Prefilter				

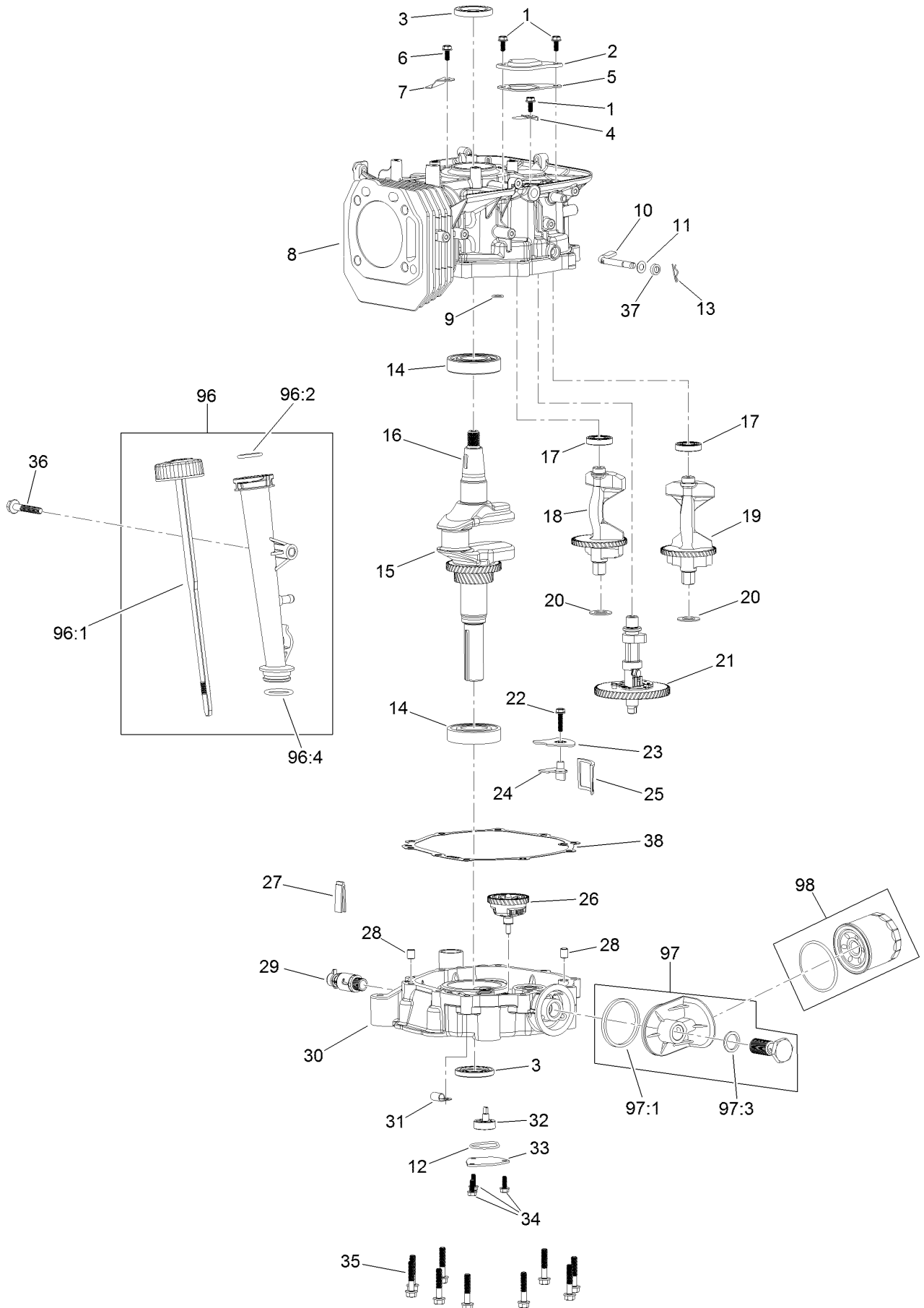
# Ignition and Electrical Assembly Engine Assembly No. 127-9358



## Ignition and Electrical Assembly Engine Assembly No. 127-9358 (continued)

<i>Ref.</i>	<i>Part Number</i>	<i>Qty.</i>	<i>Description</i>	<i>Ref.</i>	<i>Part Number</i>	<i>Qty.</i>	<i>Description</i>
1	120-4213	1	Nut-Flange	10	120-4226	1	Boot-Plug, Spark
2	120-4212	1	Pulley-Starter	11	127-9177	1	Ignition Coil ASM
3	120-4211	1	Fan-Cooling	12	120-4225	2	Screw-HHF
4	120-4399	1	Flywheel	13	120-4231	2	Screw-HHF
5	120-4223	4	Screw-HHF	14	120-4230	1	Bracket-Starter
6	127-9176	1	Alternator	15	133-1565	1	Motor-Starter
7	127-9178	1	Voltage Regulator	16	77-7330	1	Plug-Spark
8	120-4216	3	Screw-HHF	22	133-1562	1	Pinion-Starter
9	120-4316	1	Clamp-Wire	98	120-4392	1	Starter Repair Kit

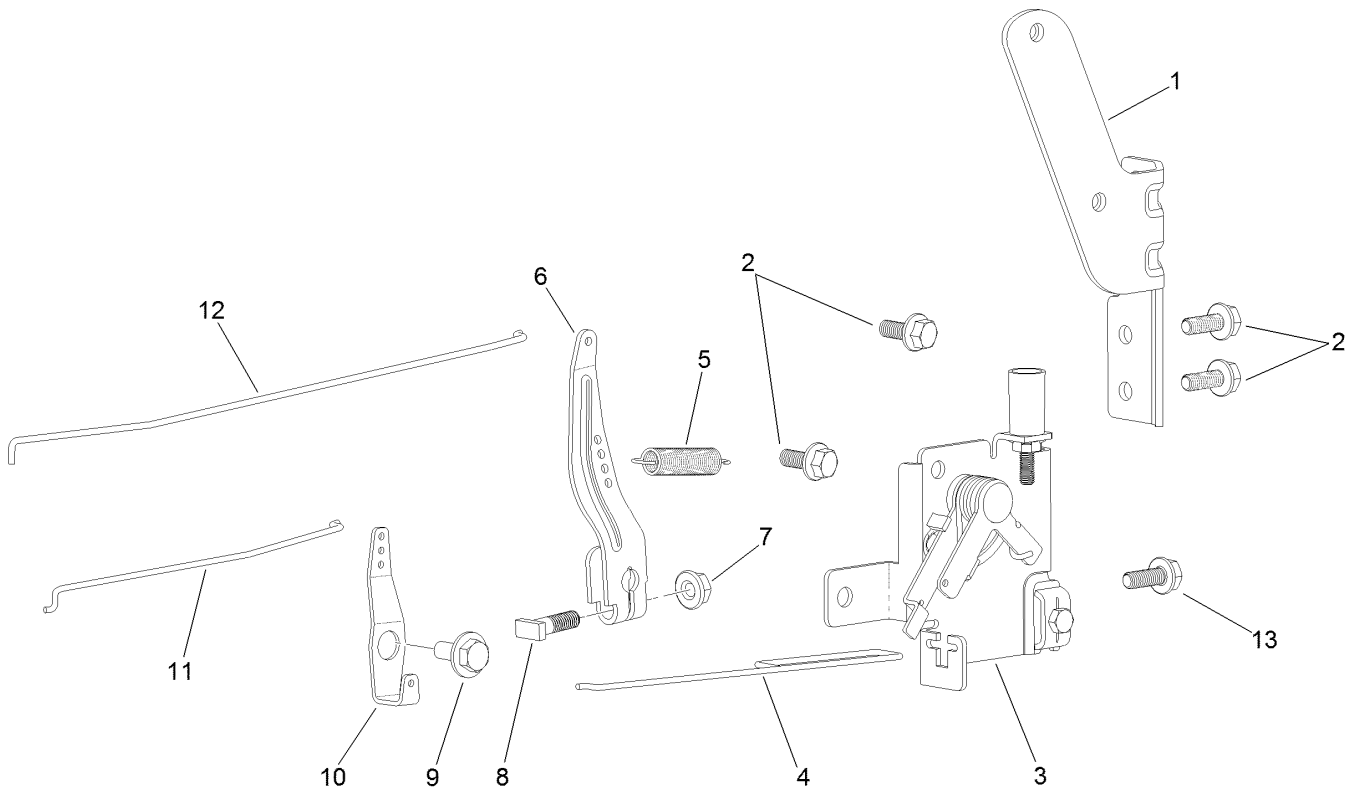
# Crankcase Assembly Engine Assembly No. 127-9358



## Crankcase Assembly Engine Assembly No. 127-9358 (continued)

<i>Ref.</i>	<i>Part Number</i>	<i>Qty.</i>	<i>Description</i>	<i>Ref.</i>	<i>Part Number</i>	<i>Qty.</i>	<i>Description</i>
1	120-4216	3	Screw-HHF	24	120-4279	1	Plate-Baffle, Oil
2	120-4265	1	Plate-Breather	25	120-4341	1	Strainer-Oil
3	120-4267	2	Seal-Oil	26	120-4338	1	Gear-Governor
4	120-4263	1	Valve-Reed	27	120-4275	1	Deflector-Oil, Rubber
5	120-4264	1	Gasket-Breather	28	120-4274	2	Pin-Dowel
6	120-4234	1	Screw-HHF	29	120-4321	1	Valve-Drain, Oil
7	120-4268	1	Retainer	30	120-4327	1	Cover-Crankcase
8	120-4336	1	Crankcase	31	127-9188	1	Clamp-Hose
9	120-4262	1	O-Ring	32	120-4344	1	Oil Pump ASM
10	120-4382	1	Shaft-Governor	33	120-4270	1	Cover-Pump, Oil
11	120-4258	1	Washer-Plain	34	120-4232	3	Screw-HHF
12	120-4343	1	Seal-Pump, Oil	35	120-4273	10	Screw-HHF
13	120-4256	1	Pin-Hair	36	120-4284	1	Screw-HHF
14	120-4261	2	Bearing-Ball	37	120-4257	1	Seal-Oil
15	120-4293	1	Crankshaft	38	120-4260	1	Gasket-Crankcase
16	120-4320	1	Key-Woodruff	96	120-4355	1	Dipstick And Tube Kit
17	120-4266	2	Bearing-Ball	96:1	120-4350	1	Dipstick ASM
18	127-9179	1	Shaft-Balance, R	96:2	120-4348	1	O-Ring
19	127-9180	1	Shaft-Balance, L	96:4	120-4282	1	O-Ring
20	120-4295	2	Washer	97	120-4363	1	Oil Adaptor Kit
21	120-4297	1	Camshaft	97:1	120-4362	1	Seal-Adaptor, Oil
22	120-4225	1	Screw-HHF	97:3	120-4360	1	Washer-Filter, Oil
23	120-4342	1	Cover-Strainer, Oil	98	120-4276	1	Filter-Oil

# Governor Control Assembly Engine Assembly No. 127-9358



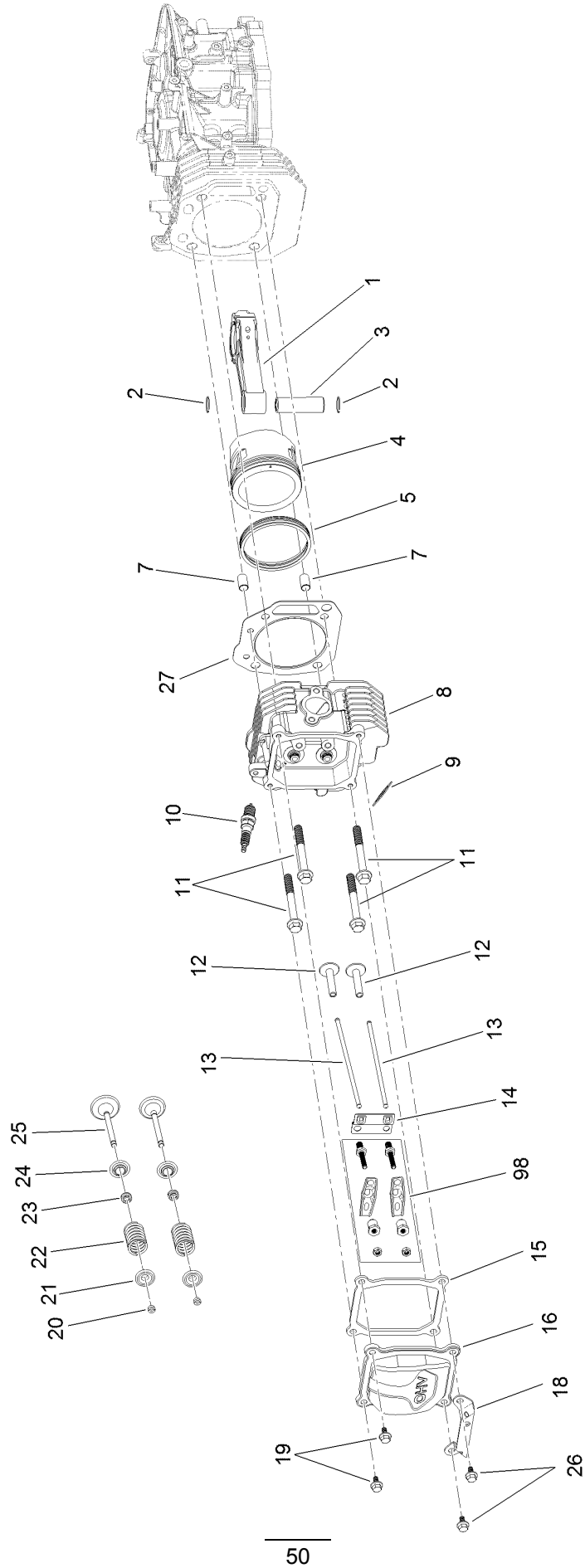


## Governor Control Assembly Engine Assembly No. 127-9358 (continued)

<i>Ref.</i>	<i>Part Number</i>	<i>Qty.</i>	<i>Description</i>	<i>Ref.</i>	<i>Part Number</i>	<i>Qty.</i>	<i>Description</i>
1	120-4357	1	Bracket-Pump, Fuel	8	120-4238	1	Bolt-Arm, Governor
2	120-4234	4	Screw-HHF	9	120-4241	1	Screw-Shoulder, HHF
3	120-4358	1	Control-Throttle	10	120-4242	1	Bellcrank-Choke
4	120-4243	1	Rod-Throttle	11	120-4240	1	Rod-Choke
5	120-4337	1	Spring-Governor	12	120-4239	1	Rod-Governor
6	120-4237	1	Arm-Governor	13	120-4232	1	Screw-HHF
7	120-4236	1	Nut-Flange				

# Piston and Cylinder Head Assembly

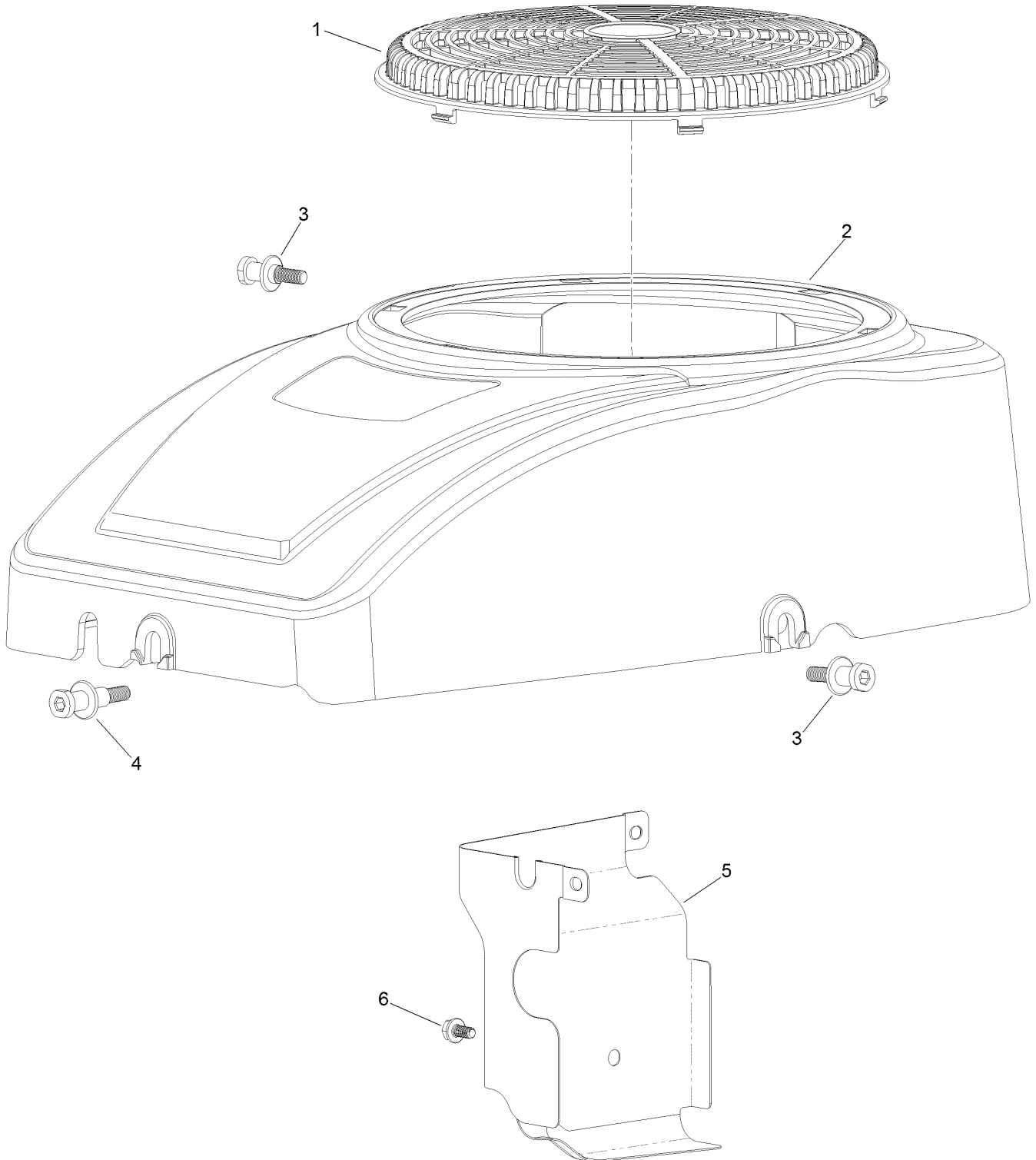
## Engine Assembly No. 127-9358



## Piston and Cylinder Head Assembly Engine Assembly No. 127-9358 (continued)

<i>Ref.</i>	<i>Part Number</i>	<i>Qty.</i>	<i>Description</i>	<i>Ref.</i>	<i>Part Number</i>	<i>Qty.</i>	<i>Description</i>
1	120-4292	1	Connecting Rod ASM	15	120-4206	1	Gasket-Cover, Valve
2	120-4288	2	Ring-Retaining, Piston Pin	16	120-4207	1	Cover-Valve
3	120-4291	1	Pin-Piston	18	120-4345	1	Bracket-Muffler
4	120-4290	1	Piston	19	120-4209	2	Screw-Shoulder, HHF
5	120-4289	1	Ring Set	20	120-4307	2	Keeper-Valve
7	120-4200	2	Pin-Dowel	21	120-4306	2	Retainer-Spring, Valve
8	120-4203	1	Head-Cylinder	22	120-4305	2	Spring-Valve
9	120-4317	1	Gasket-Exhaust	23	120-4304	2	Seal-Stem, Valve
10	120-4204	1	Plug-Spark	24	120-4303	2	Seat-Spring, Valve
11	120-4205	4	Screw-HHF	25	120-4302	2	Valve Set
12	120-4298	2	Lifter-Valve	26	120-4210	2	Screw-Shoulder, HHF
13	120-4340	2	Rod-Push	27	120-4201	1	Gasket-Cylinder
14	120-4300	1	Plate-Guide, Push Rod	98	120-4301	1	Rocker Arm Kit

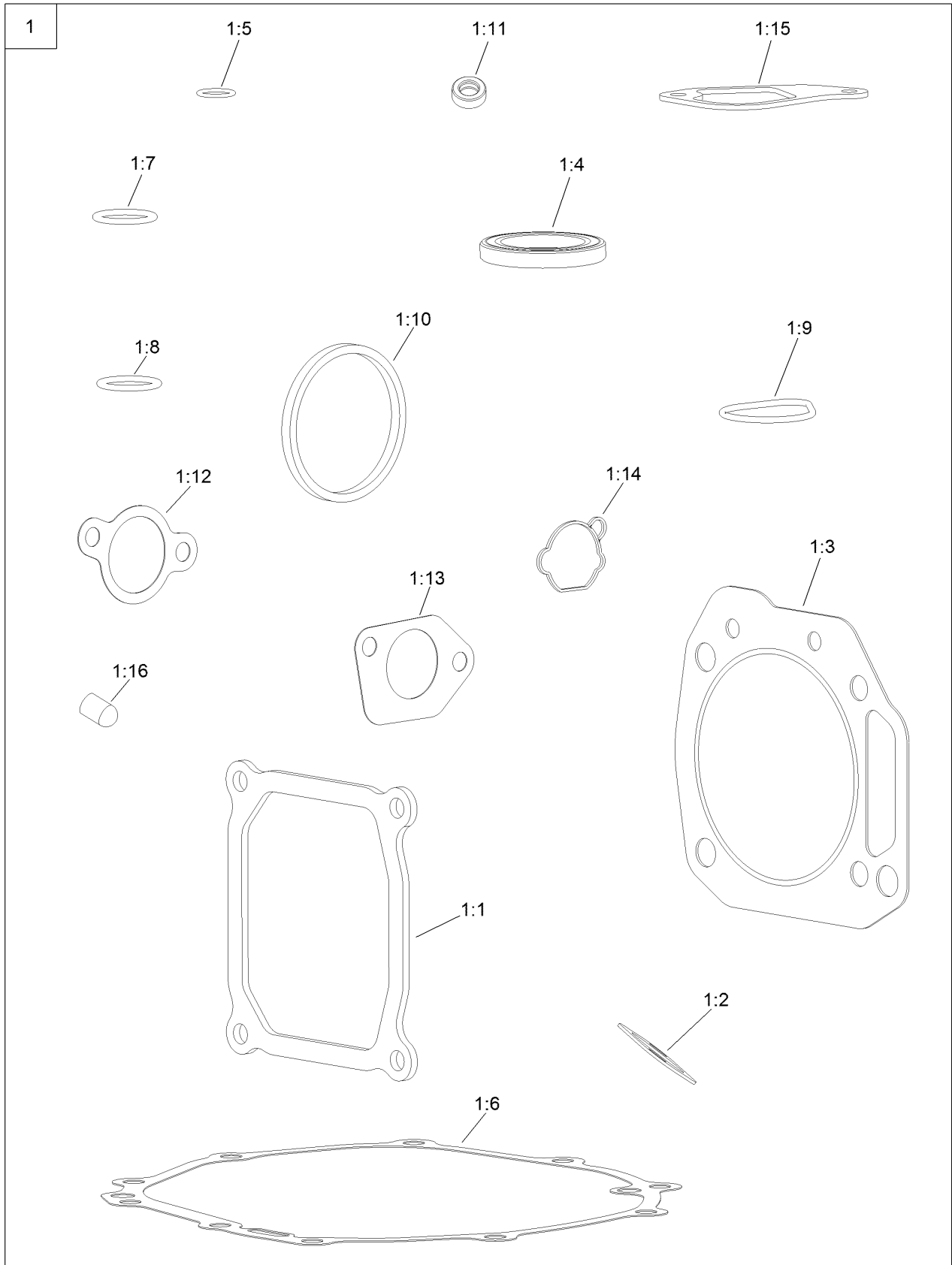
# Blower Housing Assembly Engine Assembly No. 127-9358



# Blower Housing Assembly Engine Assembly No. 127-9358 (continued)

<i>Ref.</i>	<i>Part Number</i>	<i>Qty.</i>	<i>Description</i>	<i>Ref.</i>	<i>Part Number</i>	<i>Qty.</i>	<i>Description</i>
1	120-4219	1	Screen-Stationary	4	120-4214	1	Screw-Shoulder, HH
2	120-4218	1	Shroud-Fan	5	120-4215	1	Shield
3	120-4217	2	Screw-Shoulder, HH	6	120-4216	1	Screw-HHF

# Gasket and Seal Kit Engine Assembly No. 127-9358

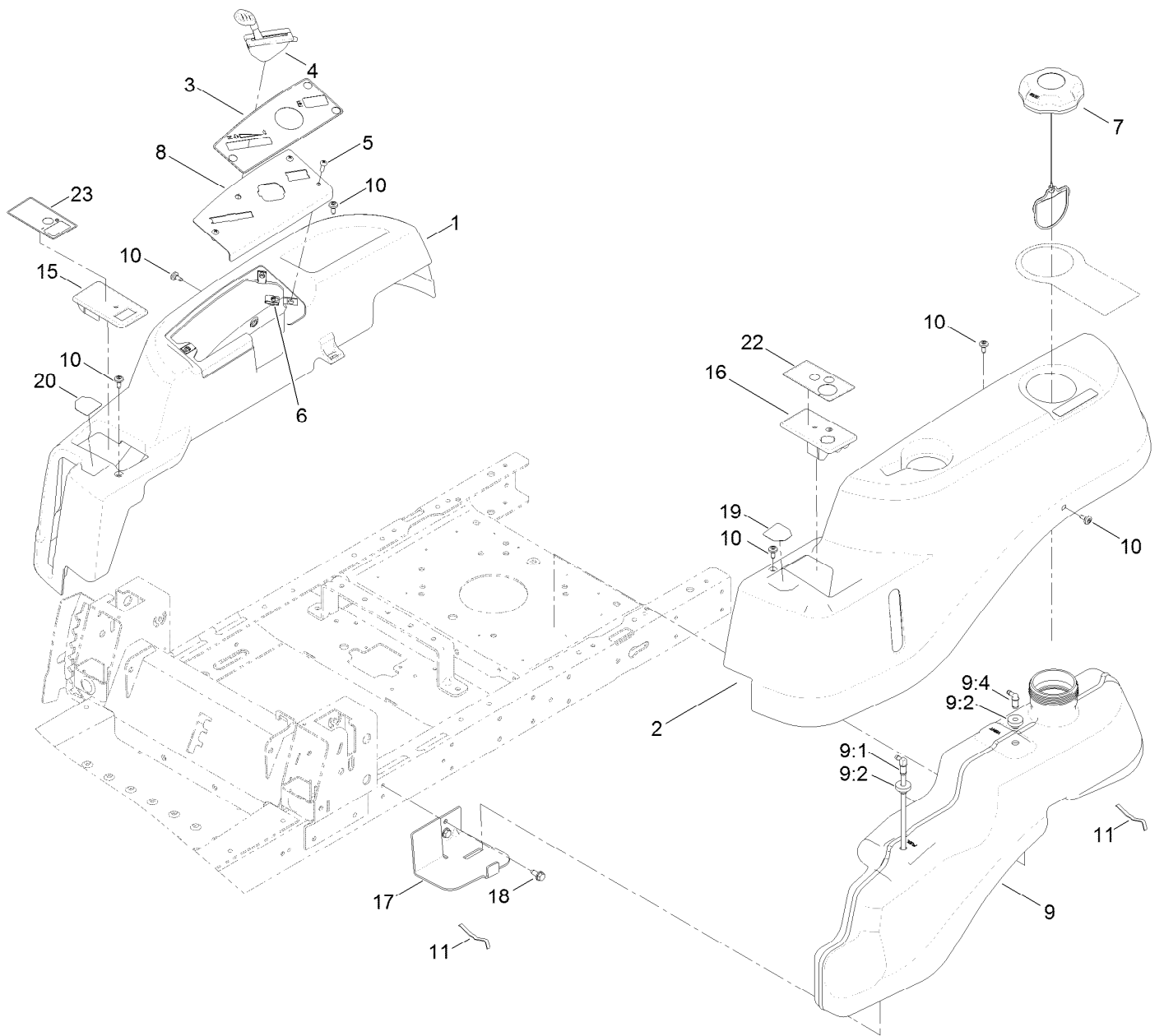


## Gasket and Seal Kit

### Engine Assembly No. 127-9358 (continued)

<i>Ref.</i>	<i>Part Number</i>	<i>Qty.</i>	<i>Description</i>	<i>Ref.</i>	<i>Part Number</i>	<i>Qty.</i>	<i>Description</i>
1	127-9192	1	Gasket And Seal Kit	1:9	120-4343	1	Seal-Pump, Oil
1:1	120-4206	1	Gasket-Cover, Valve	1:10	120-4362	1	Seal-Adaptor, Oil
1:2	120-4317	1	Gasket-Exhaust	1:11	120-4257	1	Seal-Oil
1:3	120-4201	1	Gasket-Cylinder	1:12	120-4250	1	Gasket-Carburetor
1:4	120-4267	2	Seal-Oil	1:13	120-4247	2	Gasket-Carburetor
1:5	120-4262	1	O-Ring	1:14	127-9185	1	Gasket-Carburetor
1:6	120-4260	1	Gasket-Crankcase	1:15	120-4264	1	Gasket-Breather
1:7	120-4348	1	O-Ring	1:16	127-9189	1	Cap-Seal
1:8	120-4282	1	O-Ring				

# Body Styling and Fuel Tank Assembly

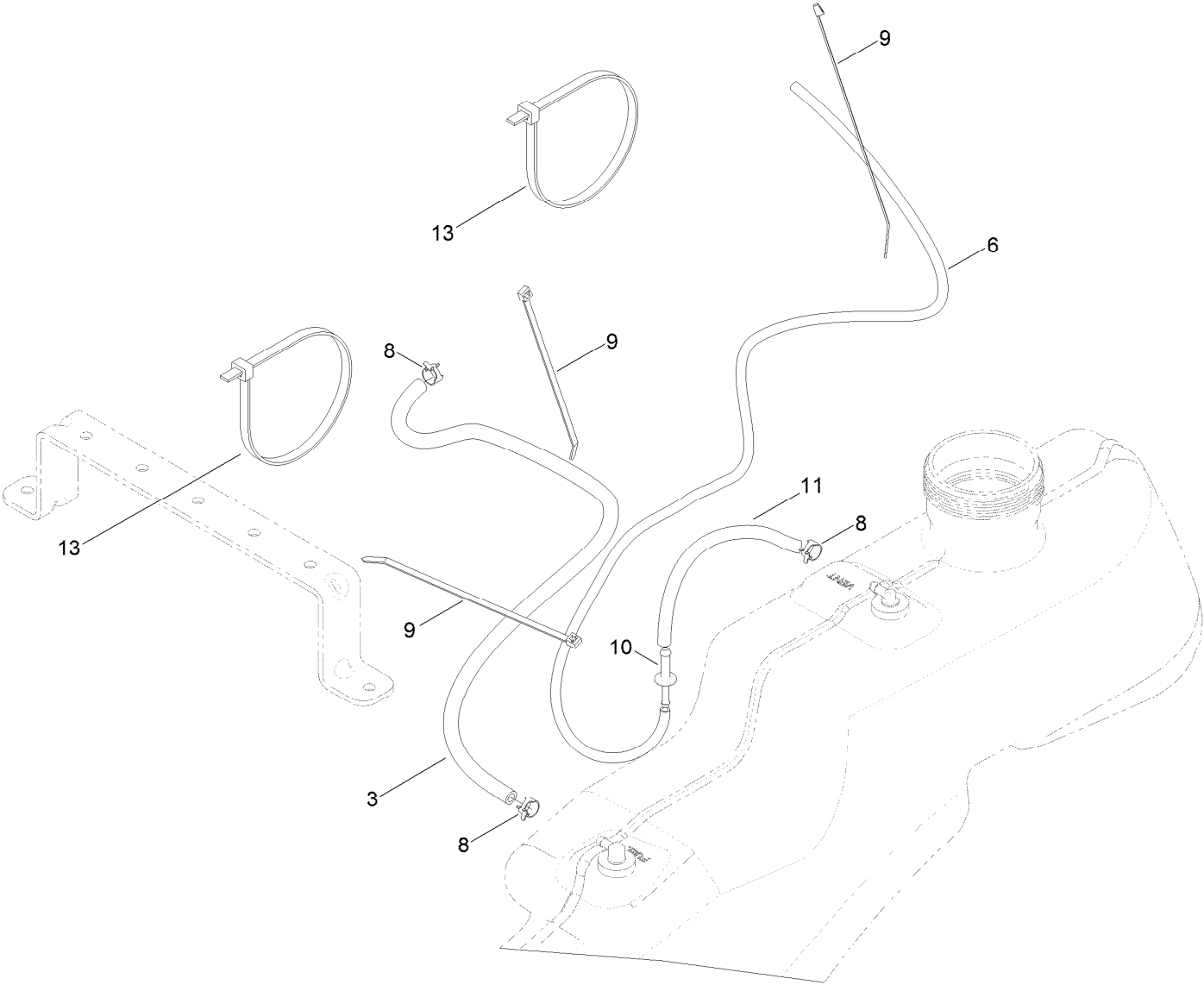




## Body Styling and Fuel Tank Assembly (continued)

<i>Ref.</i>	<i>Part Number</i>	<i>Qty.</i>	<i>Description</i>	<i>Ref.</i>	<i>Part Number</i>	<i>Qty.</i>	<i>Description</i>
1	119-3335	1	Pod-RH	9:4	117-7400	1	Fitting-Plastic
2	119-3334	1	Pod-LH	10	120-7950	8	Screw-Shoulder
3	121-0771	1	Decal-Panel, Control	11	609830	2	Spring
4	121-0767	1	Cable-Throttle And Choke	15	130-7041	1	Cover-RH
5	3258-166	3	Screw-PRH	16	130-7042	1	Cover-LH
6	107069	3	Clip	17	119-3476-03	1	Support-Tank, Front
7	120-5461	1	Cap-Fuel, Ratcheting	18	32144-70	2	Screw-HWHTF
8	119-3378-03	1	Plate-Control	19	131-3621	1	Decal-Nmir
9	119-3324	1	Fuel Tank ASM	20	131-3620	1	Decal-Control, Pedal
9:1	121-0793	1	Connector-Elbow, 90 DEG	22	131-3665	1	Decal-Keychoice
9:2	46-6560	2	Bushing	23	131-3955	1	Decal-Brake, Parking

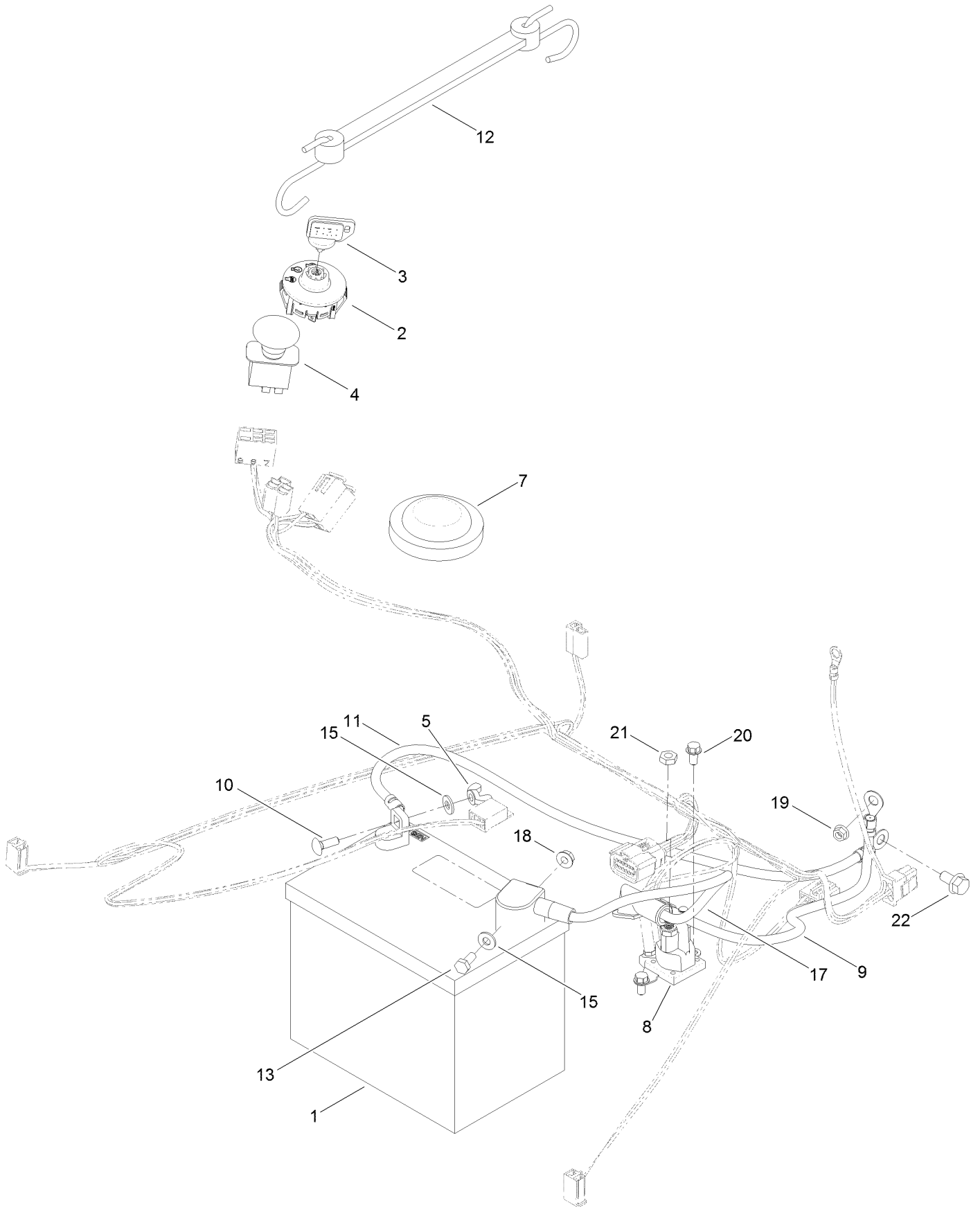
# Fuel Delivery Assembly



## Fuel Delivery Assembly (continued)

<i>Ref.</i>	<i>Part Number</i>	<i>Qty.</i>	<i>Description</i>	<i>Ref.</i>	<i>Part Number</i>	<i>Qty.</i>	<i>Description</i>
3	109-0307	1	Hose-Fuel	10	117-5399	1	Adaptor-Orifice
6	110-3254	1	Hose-Fuel	11	110-1876	1	Hose-Fuel
8	2412-98	3	Clamp-Hose	13	3334-945	2	Tie-Cable
9	614249	3	Tie-Cable				

# Battery and Electrical Assembly



## Battery and Electrical Assembly (continued)

<i>Ref.</i>	<i>Part Number</i>	<i>Qty.</i>	<i>Description</i>	<i>Ref.</i>	<i>Part Number</i>	<i>Qty.</i>	<i>Description</i>
1	105-1692	1	Battery	12	104-2466	1	Holddown-Battery
2	117-2221	1	Switch-Ignition	13	321-3	1	Screw-HH
3	63-8360	1	Key-Ignition	15	3256-22	2	Washer-Flat
4	114-0279	1	Switch-PTO, On-On-(On)	17	119-8897	1	Cable-Battery, Red
5	32103-22	1	Nut-Wing	18	32128-33	1	Nut-HF
7	100-3524	1	Switch-Seat	19	33003-00	1	Nut-HF
8	117-1197	1	Solenoid	20	32144-4	2	Screw-HWH
9	121-0711	1	Cable-Battery, Positive	21	3220-2	2	Nut-Jam
10	3229-1	1	Bolt-CARR	22	3234-14	1	Screw-HHF
11	119-8899	1	Cable-Battery, Black				

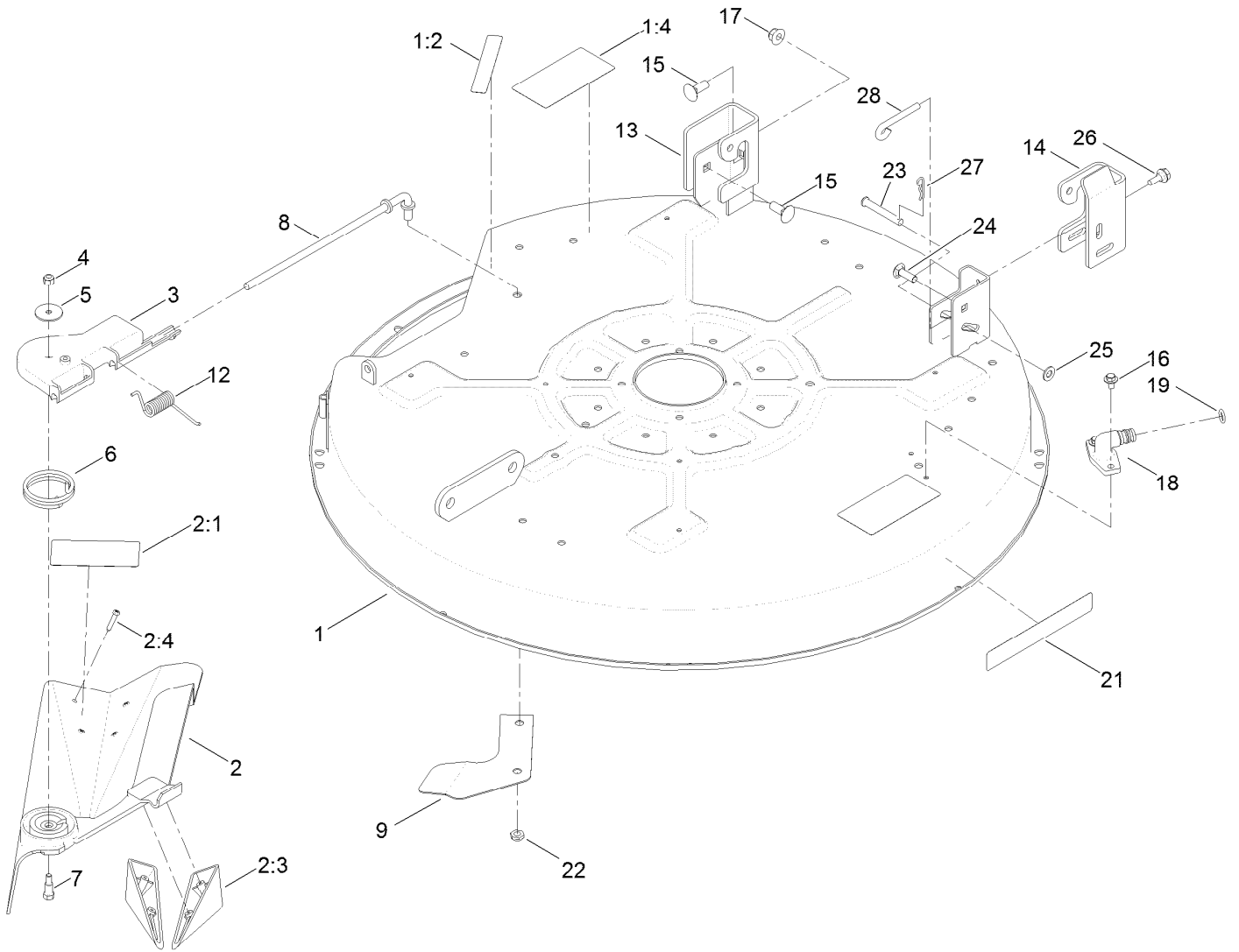
# Wire Harness Assembly



## Wire Harness Assembly (continued)

<i>Ref.</i>	<i>Part Number</i>	<i>Qty.</i>	<i>Description</i>	<i>Ref.</i>	<i>Part Number</i>	<i>Qty.</i>	<i>Description</i>
1	131-3639	1	Key-Toro	3	130-6874	1	Switch-Rocker, (On)-Off-(On)
2	132-9361	1	Harness-Wire	4	119-3068	1	Switch-Momentary, N.O.
2:1	109103	1	Fuse-Blade, 30 Amp	5	131-4136	1	Light-Indicator
2:2	109102	1	Fuse-Blade, 25 Amp				

# 32 Inch Deck and Deflector Assembly

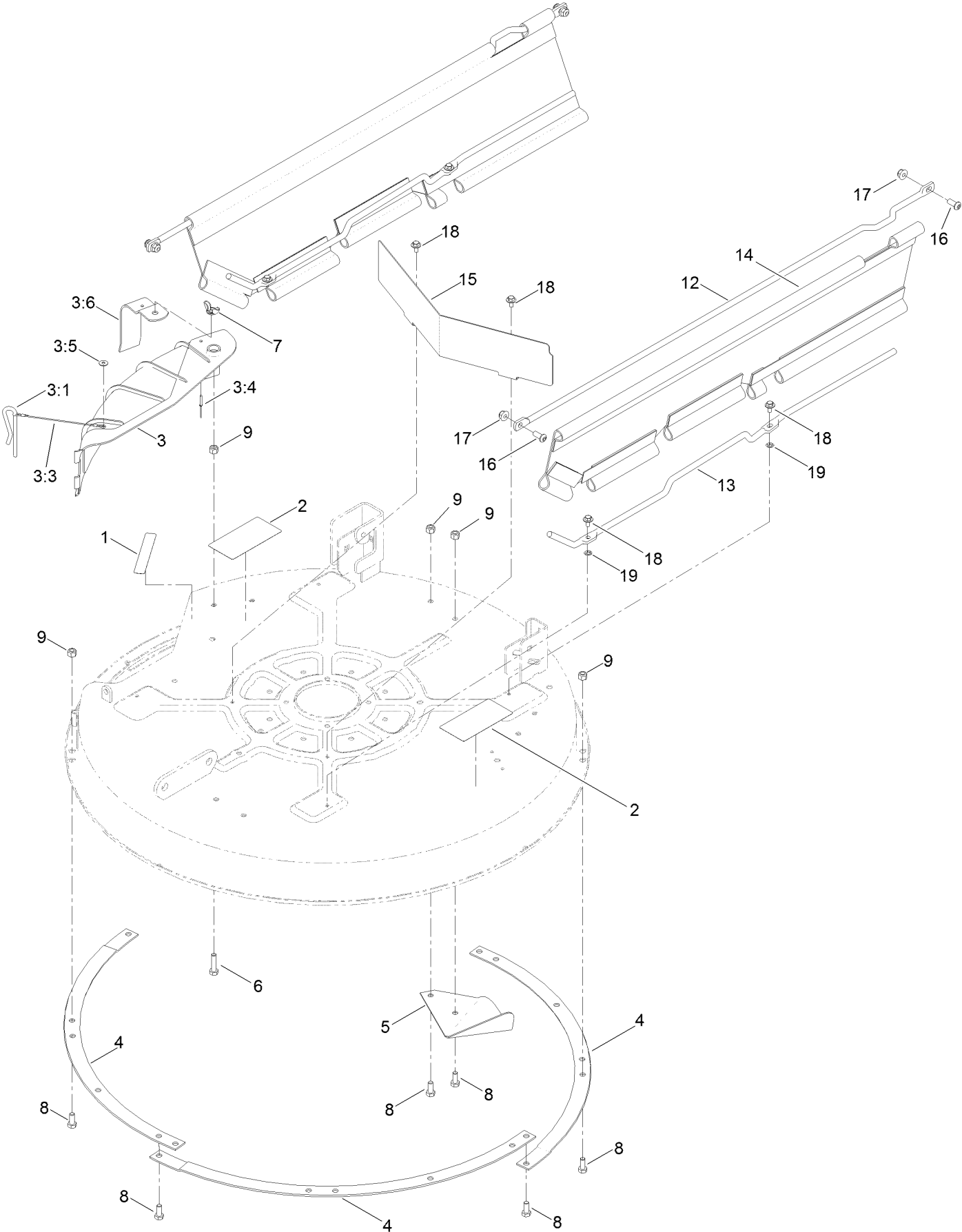




## 32 Inch Deck and Deflector Assembly (continued)

<i>Ref.</i>	<i>Part Number</i>	<i>Qty.</i>	<i>Description</i>	<i>Ref.</i>	<i>Part Number</i>	<i>Qty.</i>	<i>Description</i>
1	131-3602	1	32 Inch Deck And Decal ASM	13	131-4138	1	Bracket-Hanger, RH
1:2	93-7009	1	Decal-Danger	14	131-1091	1	Bracket-Hanger, LH
1:4	132-0872	2	Decal-Danger, Deck	15	3231-2	2	Bolt-CARR
2	120-2298	1	32 Inch Deflector ASM	16	46-8560	2	Screw-HHFTF
2:1	110-6691	1	Decal-Danger	17	104-8301	2	Nut-HF, NI
2:3	93-7696	2	Kicker	18	95-2747	1	Fitting-Washout
2:4	93-0231	4	Screw-PPH	19	46-6290	1	O-Ring
3	88-4540	1	Pivot-Hinge, Deflector	21	119-2368	1	Decal-Recycler
4	3296-42	1	Nut-Lock, NI	22	3296-59	1	Nut-Lock, NI
5	3256-55	1	Washer-Flat	23	110-0618	1	Pin-Clevis
6	88-6160	1	Spring-Torsion	24	3230-22	1	Screw-CARR
7	92-8916	1	Bolt-Shoulder	25	3256-23	1	Washer-Plain
8	119-8858	1	Rod-Pivot	26	120-7024	1	Screw-Shoulder, HHF
9	119-8877-03	1	Ramp-Deflector	27	1-806003	1	Pin-Cotter
12	92-2493	1	Spring-Torsion	28	131-0955	1	Rod-Level, Deck

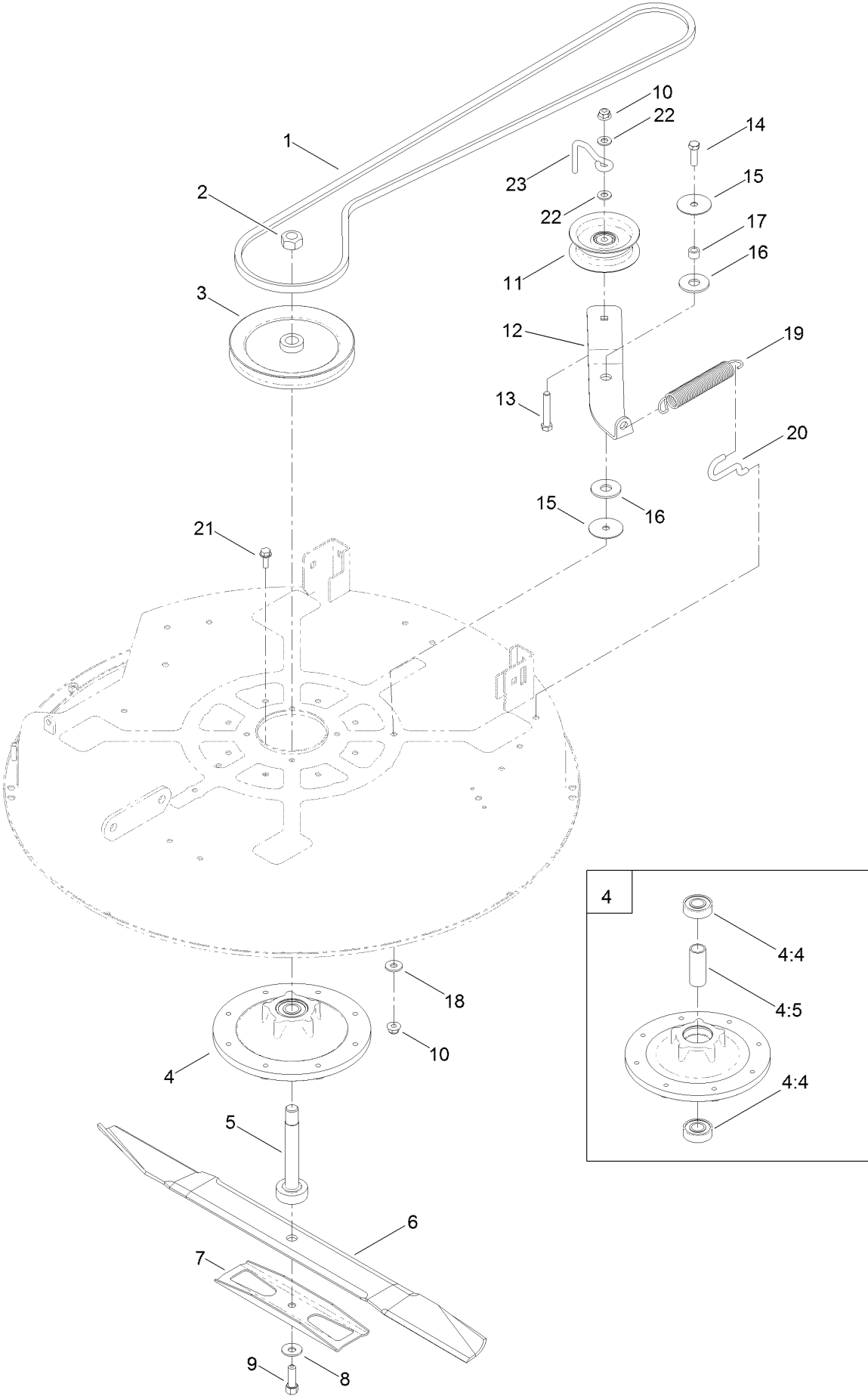
# 32 Inch Deck Assembly



## 32 Inch Deck Assembly (continued)

<i>Ref.</i>	<i>Part Number</i>	<i>Qty.</i>	<i>Description</i>	<i>Ref.</i>	<i>Part Number</i>	<i>Qty.</i>	<i>Description</i>
1	93-7009	1	Decal-Danger	7	32103-2	1	Nut-Wing
2	132-0872	2	Decal-Danger, Deck	8	322-3	15	Screw-HH
3	82-6151	1	Discharge Cover ASM	9	3296-29	16	Nut-Lock, NI
3:1	28-8130	1	Pin-Locking, Chute	12	131-3669	2	Rod-Support, Upper
3:3	28-8070	1	Lanyard	13	131-3681	2	Rod-Support, Lower
3:4	3290-282	2	Rivet-Blind	14	131-3685	2	Guard-Side
3:5	3256-49	1	Washer-Plain	15	131-3666-03	1	Shield-Front
3:6	83-7010-03	1	Brace	16	3274-55	4	Screw-HSBH
4	80-4490-03	4	Ring-Deck	17	104-8300	4	Nut-HF, NI
5	80-2630-03	4	Kicker	18	46-8560	6	Screw-HHFTF
6	322-6	1	Screw-HH	19	1-803037	4	Nut-Retaining

# 32 Inch Deck, Belt and Blade Assembly



## 32 Inch Deck, Belt and Blade Assembly (continued)

<i>Ref.</i>	<i>Part Number</i>	<i>Qty.</i>	<i>Description</i>	<i>Ref.</i>	<i>Part Number</i>	<i>Qty.</i>	<i>Description</i>
1	119-8821	1	V-Belt, 81.8 Inch	12	119-8966	1	Arm-Idler
2	3219-7	1	Nut-Hex	13	323-11	1	Screw-HH
3	119-8804	1	Pulley-Deck	14	323-7	1	Screw-HH
4	119-0368	1	Spindle Housing ASM	15	120-2229	2	Washer
4:4	251-297	2	Bearing-Ball	16	114-0463	2	Washer-Friction, Composite
4:5	83-7020	1	Spacer-Bearing	17	115-4986	1	Spacer
5	119-8825	1	Shaft-Spindle	18	80-6990	1	Washer-Hardened
6	80-4430-03	1	Blade-Recycler, 31.35 Inch	19	106-2177	1	Spring-Extension
7	80-4570-03	1	Stiffener	20	88-5970	1	Hook-Return, Spring
8	3290-465	1	Washer-Belleville	21	32144-41	8	Screw-Taptite
9	26-0671	1	Screw-HH	22	3256-24	2	Washer-Flat
10	104-8301	2	Nut-HF, NI	23	107-7307	1	Guide-Idler, Belt
11	106-2175	1	Pulley-Idler, Flat				

# Attachments and Accessories

## For 74670 TimeCutter SW 3200 Riding Mower

<b>Product Name</b>	<b>Model/Part</b>
Hourmeter Kit .....	116-5461
All Season Synthetic Oil.....	117-0066
Seat With Armrests-18in.....	119-8830
Jack Mount Kit .....	126-5251
Jack Kit.....	127-6666
Fuel Stabilizer .05 oz .....	130-2393
4-Cycle Fuel, Snow And Lawn 32oz Can .....	131-3823
Attachment Mount Kit .....	131-3966
Toro Premium Fuel Treatment 12 Oz Bottle .....	131-6572
Deluxe Seat Kit.....	131-7699
Floor Mat Kit .....	132-6920
10w30 4-cycle Engine Oil (32oz Bottle) .....	38280
Toro 4-cycle SAE 30 Oil (32oz Bottle) .....	38903
Storage Cover .....	490-7516
Sunshade Kit .....	79011
32in Bagger .....	79390

**Notes:**



**Count on it.**