



Count on it.

Parts Catalog

**Operator Cooling Fan
Groundsmaster® or Reelmaster® Traction
Unit with Universal Sunshade**

Model No. 03247



Ordering Replacement Parts

To order replacement parts, please supply the part number, the quantity, and the description of each part desired.

Understanding Reference Numbers

Each identified part in an illustration has a reference number. The reference number for a part also appears in the parts list, along with other information about the part.

This catalog uses two special reference number formats, one to indicate parts in a service assembly and another to indicate the quantity of a given part in an illustration.

Service Assembly Reference Numbers

Parts in service assemblies have reference numbers in the form a:b. The a represents the reference number of the entire service assembly and the b represents a sequential number unique to each part within the service assembly.

For example, a wheel assembly might be identified by reference number 6, the tire by 6:1, the valve by 6:2, and the wheel by 6:3. When you order the assembly identified by reference number 6, you receive all parts identified by reference numbers 6:1, 6:2, and 6:3. However, you may also order any part individually. Reference numbers of this type appear in illustration and in parts lists.

Reference Numbers Indicating Quantity

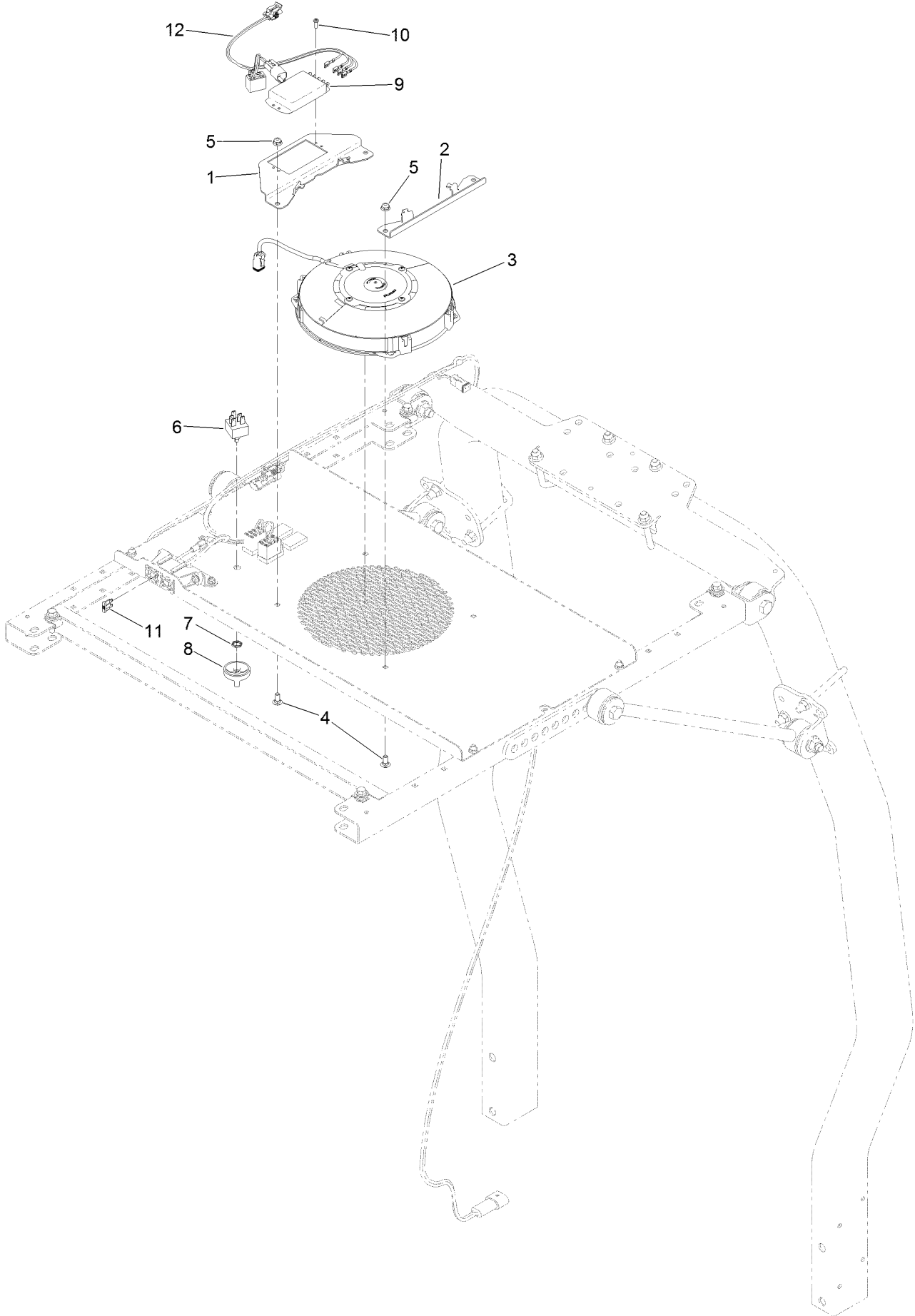
In an illustration, if a reference number indicates more than one part, the reference number has the form nX y. The n represents the quantity of the part, the X is the multiplication symbol, and the y represents the reference number.

For example, in an illustration, the reference number 2X 37 means that two of the parts identified by reference number 37 are indicated.

Contents

| | |
|--|----|
| Reelmaster 3000 Series Operator Cooling Fan Assembly | 4 |
| Reelmaster 5000 Series Operator Cooling Fan Assembly | 6 |
| Groundsmaster 4000/4100 Operator Cooling Fan Assembly | 8 |
| Groundsmaster 4500/4700/7000 Operator Cooling Fan Assembly | 10 |
| Groundsmaster 3280 Operator Cooling Fan Assembly | 12 |
| Groundsmaster 7200 Operator Cooling Fan Assembly | 14 |
| Groundsmaster 360 Operator Cooling Fan Assembly | 16 |
| Groundsmaster 5900 Operator Cooling Fan Assembly | 18 |

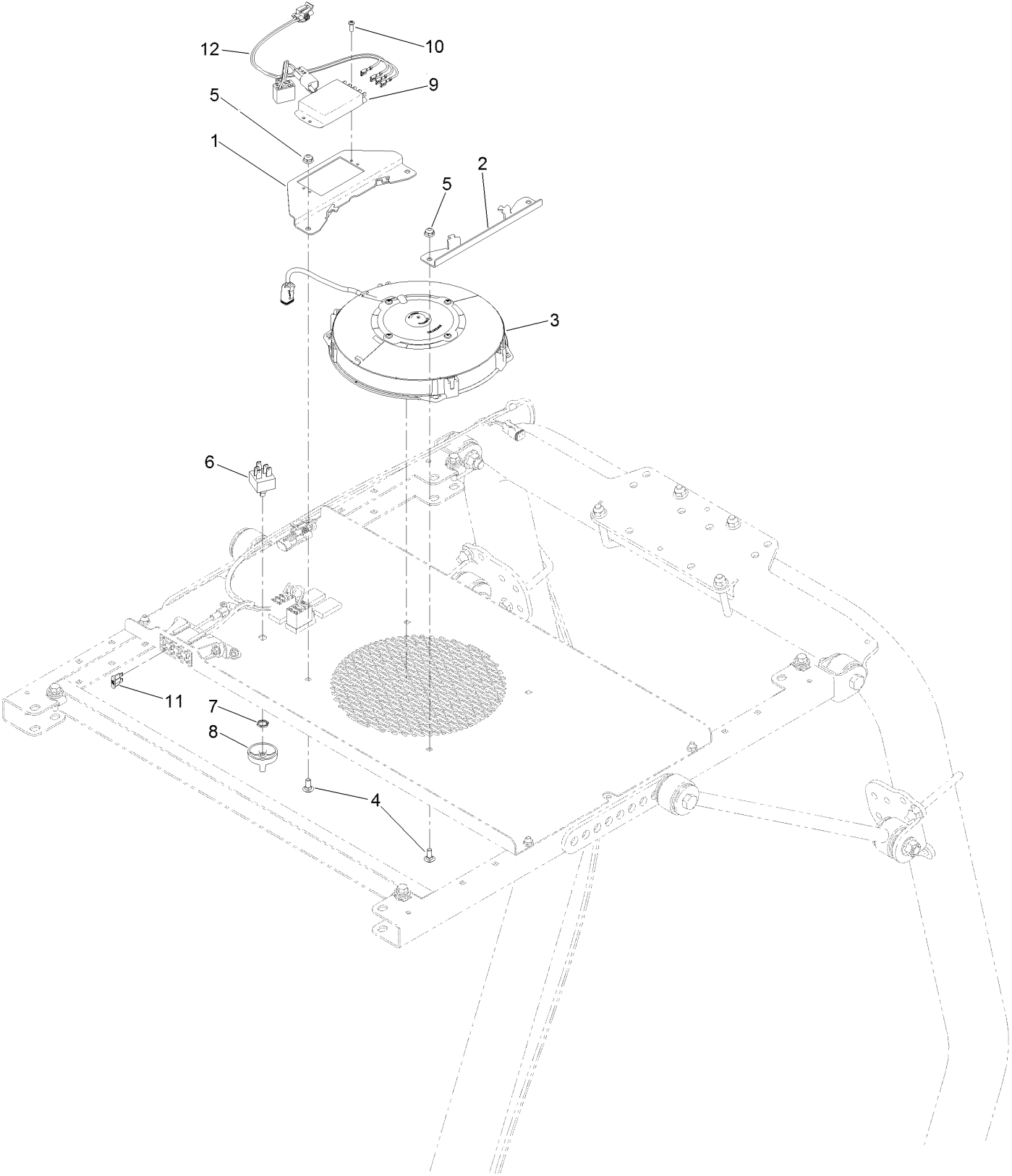
Reelmaster 3000 Series Operator Cooling Fan Assembly



Reelmaster 3000 Series Operator Cooling Fan Assembly (continued)

| <i>Ref.</i> | <i>Part Number</i> | <i>Qty.</i> | <i>Description</i> | <i>Ref.</i> | <i>Part Number</i> | <i>Qty.</i> | <i>Description</i> |
|-------------|--------------------|-------------|--------------------|-------------|--------------------|-------------|--------------------|
| 1 | 133-0894-03 | 1 | Bracket-Fan Mount | 7 | 130-0588 | 1 | Nut-Switch |
| 2 | 125-9621-03 | 1 | Bracket-Mount, Fan | 8 | 125-9510 | 1 | Knob-Control |
| 3 | 132-3607 | 1 | Fan-Condenser | 9 | 133-0895 | 1 | Resister-4 Speed |
| 4 | 3229-11 | 4 | Screw-CARR | 10 | 363-8245 | 2 | Screw-TAP |
| 5 | 104-7201 | 4 | Nut-HF | 11 | 109102 | 1 | Fuse-Blade, 25 Amp |
| 6 | 122-0150 | 1 | Switch, Rotary | 12 | 122-1224 | 1 | Harness-Wire |

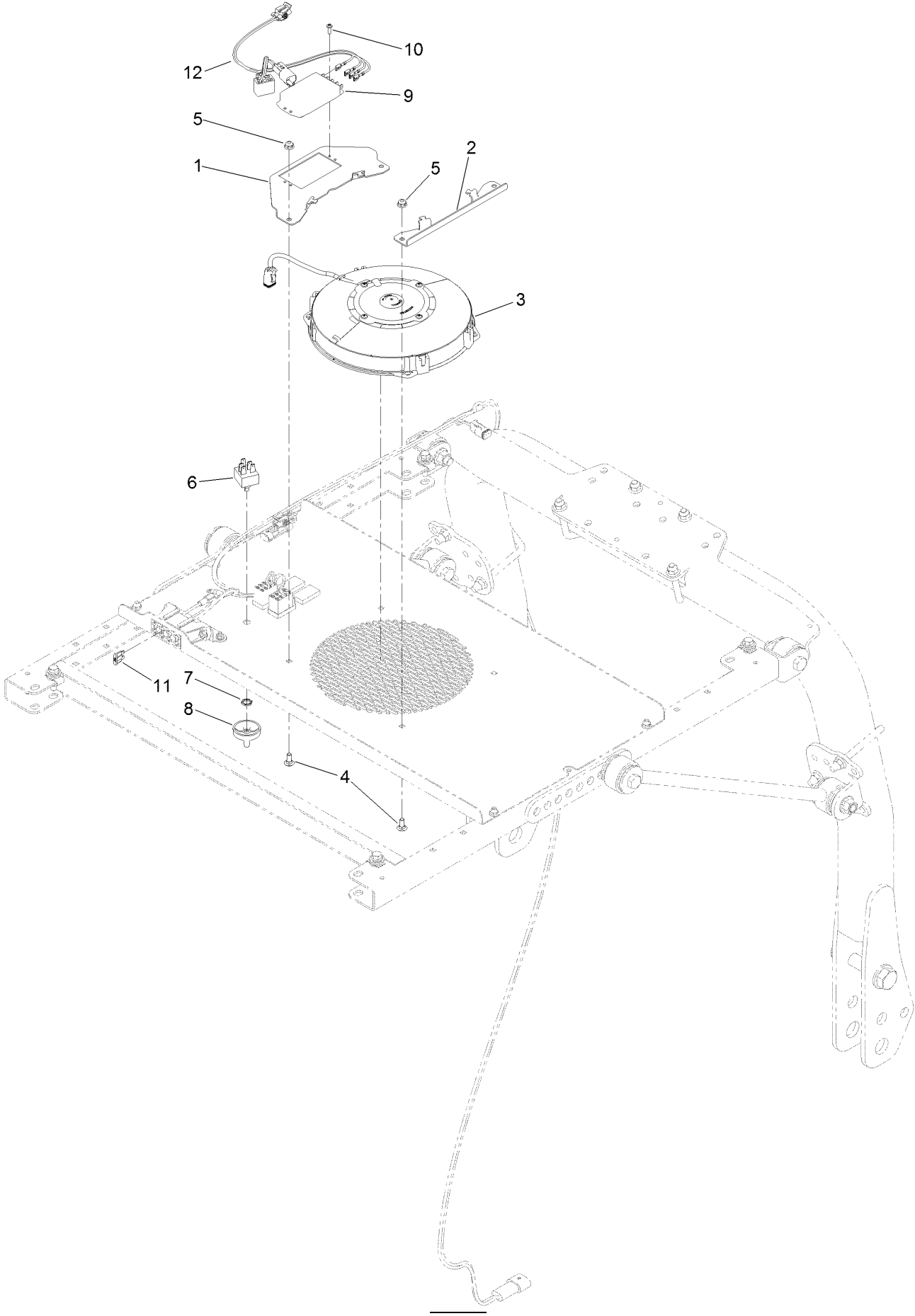
Reelmaster 5000 Series Operator Cooling Fan Assembly



Reelmaster 5000 Series Operator Cooling Fan Assembly (continued)

| <i>Ref.</i> | <i>Part Number</i> | <i>Qty.</i> | <i>Description</i> | <i>Ref.</i> | <i>Part Number</i> | <i>Qty.</i> | <i>Description</i> |
|-------------|--------------------|-------------|--------------------|-------------|--------------------|-------------|--------------------|
| 1 | 133-0894-03 | 1 | Bracket-Fan Mount | 7 | 130-0588 | 1 | Nut-Switch |
| 2 | 125-9621-03 | 1 | Bracket-Mount, Fan | 8 | 125-9510 | 1 | Knob-Control |
| 3 | 132-3607 | 1 | Fan-Condenser | 9 | 133-0895 | 1 | Resister-4 Speed |
| 4 | 3229-11 | 4 | Screw-CARR | 10 | 363-8245 | 2 | Screw-TAP |
| 5 | 104-7201 | 4 | Nut-HF | 11 | 109102 | 1 | Fuse-Blade, 25 Amp |
| 6 | 122-0150 | 1 | Switch, Rotary | 12 | 122-1224 | 1 | Harness-Wire |

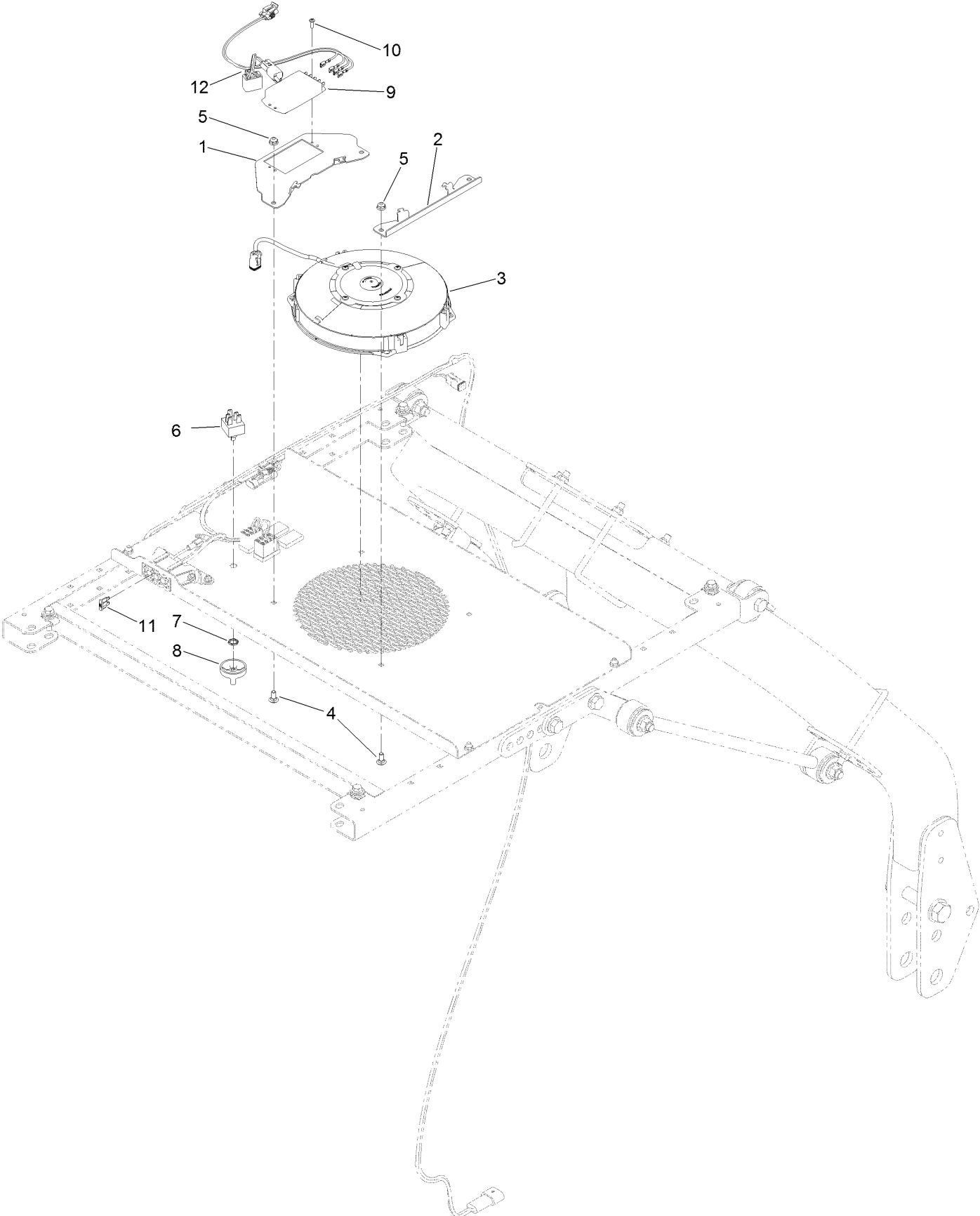
Groundsmaster 4000/4100 Operator Cooling Fan Assembly



Groundsmaster 4000/4100 Operator Cooling Fan Assembly (continued)

| <i>Ref.</i> | <i>Part Number</i> | <i>Qty.</i> | <i>Description</i> | <i>Ref.</i> | <i>Part Number</i> | <i>Qty.</i> | <i>Description</i> |
|-------------|--------------------|-------------|--------------------|-------------|--------------------|-------------|--------------------|
| 1 | 133-0894-03 | 1 | Bracket-Fan Mount | 7 | 130-0588 | 1 | Nut-Switch |
| 2 | 125-9621-03 | 1 | Bracket-Mount, Fan | 8 | 125-9510 | 1 | Knob-Control |
| 3 | 132-3607 | 1 | Fan-Condenser | 9 | 133-0895 | 1 | Resister-4 Speed |
| 4 | 3229-11 | 4 | Screw-CARR | 10 | 363-8245 | 2 | Screw-TAP |
| 5 | 104-7201 | 4 | Nut-HF | 11 | 109102 | 1 | Fuse-Blade, 25 Amp |
| 6 | 122-0150 | 1 | Switch, Rotary | 12 | 122-1224 | 1 | Harness-Wire |

Groundsmaster 4500/4700/7000 Operator Cooling Fan Assembly

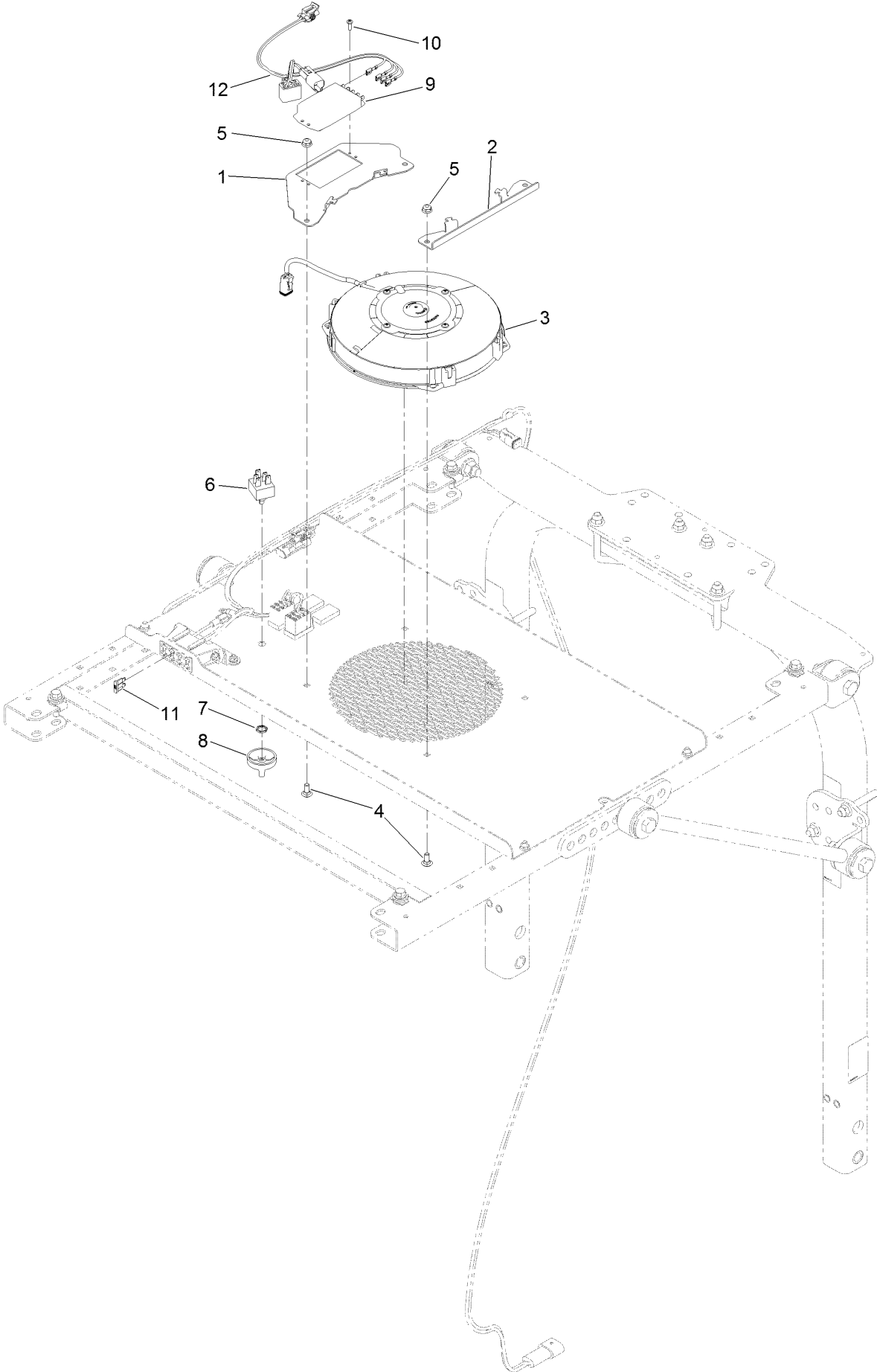


Groundsmaster 4500/4700/7000

Operator Cooling Fan Assembly (continued)

| <i>Ref.</i> | <i>Part Number</i> | <i>Qty.</i> | <i>Description</i> | <i>Ref.</i> | <i>Part Number</i> | <i>Qty.</i> | <i>Description</i> |
|-------------|--------------------|-------------|--------------------|-------------|--------------------|-------------|--------------------|
| 1 | 133-0894-03 | 1 | Bracket-Fan Mount | 7 | 130-0588 | 1 | Nut-Switch |
| 2 | 125-9621-03 | 1 | Bracket-Mount, Fan | 8 | 125-9510 | 1 | Knob-Control |
| 3 | 132-3607 | 1 | Fan-Condenser | 9 | 133-0895 | 1 | Resister-4 Speed |
| 4 | 3229-11 | 4 | Screw-CARR | 10 | 363-8245 | 2 | Screw-TAP |
| 5 | 104-7201 | 4 | Nut-HF | 11 | 109102 | 1 | Fuse-Blade, 25 Amp |
| 6 | 122-0150 | 1 | Switch, Rotary | 12 | 122-1224 | 1 | Harness-Wire |

Groundsmaster 3280 Operator Cooling Fan Assembly



Groundsmaster 3280

Operator Cooling Fan Assembly (continued)

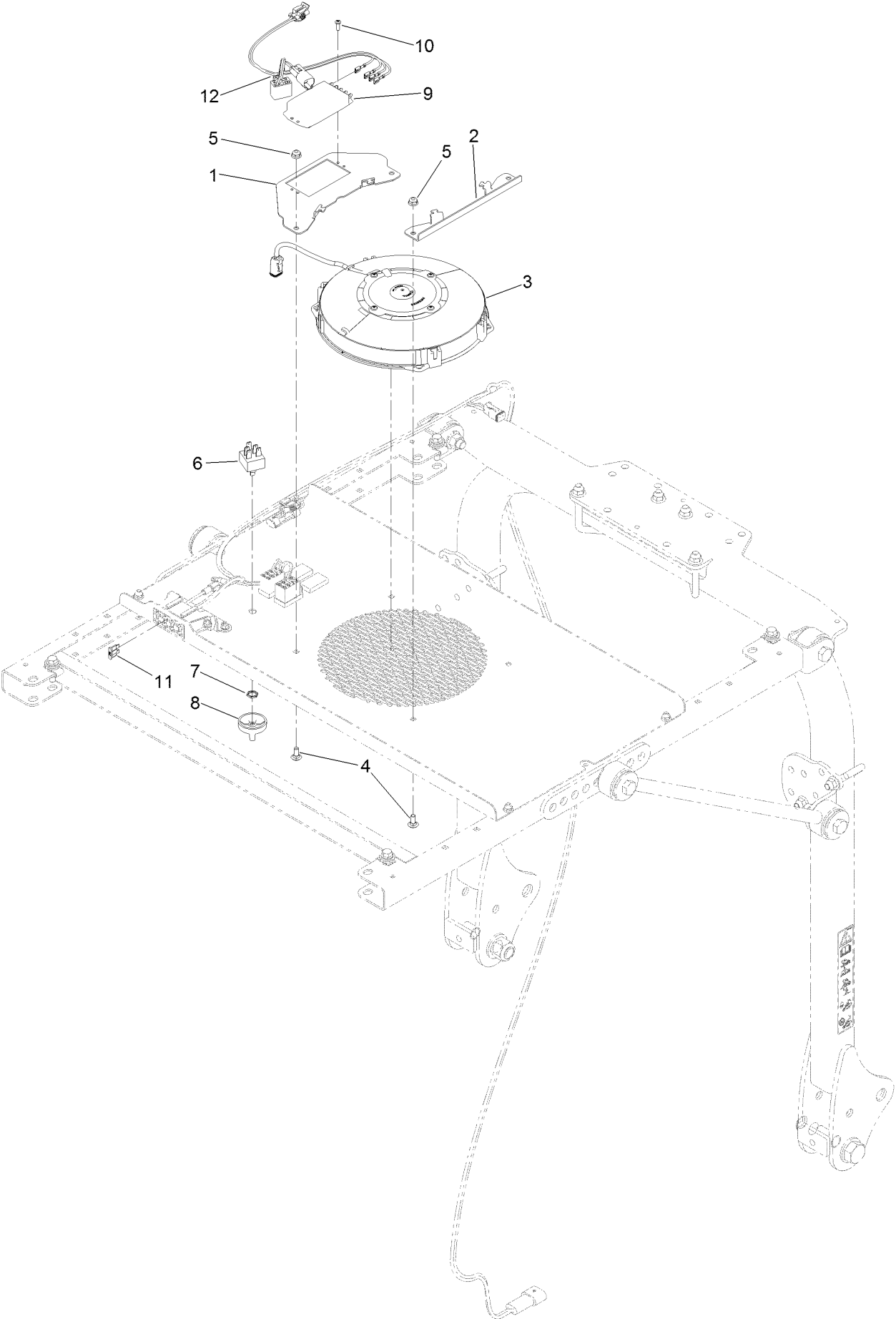
| <i>Ref.</i> | <i>Part Number</i> | <i>Qty.</i> | <i>Description</i> | <i>Ref.</i> | <i>Part Number</i> | <i>Qty.</i> | <i>Description</i> |
|-------------|--------------------|-------------|--------------------|-------------|--------------------|-------------|--------------------|
| 1 | 133-0894-03 | 1 | Bracket-Fan Mount | 7 | 130-0588 | 1 | Nut-Switch |
| 2 | 125-9621-03 | 1 | Bracket-Mount, Fan | 8 | 125-9510 | 1 | Knob-Control |
| 3 | 132-3607 | 1 | Fan-Condenser | 9 | 133-0895 | 1 | Resister-4 Speed |
| 4 | 3229-11 | 4 | Screw-CARR | 10 | 363-8245 | 2 | Screw-TAP |
| 5 | 104-7201 | 4 | Nut-HF | 11 | 109102 | 1 | Fuse-Blade, 25 Amp |
| 6 | 122-0150 | 1 | Switch, Rotary | 12 | 122-1224 | 1 | Harness-Wire |

Groundsmaster 7200

Operator Cooling Fan Assembly (continued)

| <i>Ref.</i> | <i>Part Number</i> | <i>Qty.</i> | <i>Description</i> | <i>Ref.</i> | <i>Part Number</i> | <i>Qty.</i> | <i>Description</i> |
|-------------|--------------------|-------------|--------------------|-------------|--------------------|-------------|--------------------|
| 1 | 133-0894-03 | 1 | Bracket-Fan Mount | 7 | 130-0588 | 1 | Nut-Switch |
| 2 | 125-9621-03 | 1 | Bracket-Mount, Fan | 8 | 125-9510 | 1 | Knob-Control |
| 3 | 132-3607 | 1 | Fan-Condenser | 9 | 133-0895 | 1 | Resister-4 Speed |
| 4 | 3229-11 | 4 | Screw-CARR | 10 | 363-8245 | 2 | Screw-TAP |
| 5 | 104-7201 | 4 | Nut-HF | 11 | 109102 | 1 | Fuse-Blade, 25 Amp |
| 6 | 122-0150 | 1 | Switch, Rotary | 12 | 122-1224 | 1 | Harness-Wire |

Groundsmaster 360 Operator Cooling Fan Assembly



Groundsmaster 360

Operator Cooling Fan Assembly (continued)

| <i>Ref.</i> | <i>Part Number</i> | <i>Qty.</i> | <i>Description</i> | <i>Ref.</i> | <i>Part Number</i> | <i>Qty.</i> | <i>Description</i> |
|-------------|--------------------|-------------|--------------------|-------------|--------------------|-------------|--------------------|
| 1 | 133-0894-03 | 1 | Bracket-Fan Mount | 7 | 130-0588 | 1 | Nut-Switch |
| 2 | 125-9621-03 | 1 | Bracket-Mount, Fan | 8 | 125-9510 | 1 | Knob-Control |
| 3 | 132-3607 | 1 | Fan-Condenser | 9 | 133-0895 | 1 | Resister-4 Speed |
| 4 | 3229-11 | 4 | Screw-CARR | 10 | 363-8245 | 2 | Screw-TAP |
| 5 | 104-7201 | 4 | Nut-HF | 11 | 109102 | 1 | Fuse-Blade, 25 Amp |
| 6 | 122-0150 | 1 | Switch, Rotary | 12 | 122-1224 | 1 | Harness-Wire |

Groundsmaster 5900

Operator Cooling Fan Assembly (continued)

| <i>Ref.</i> | <i>Part Number</i> | <i>Qty.</i> | <i>Description</i> | <i>Ref.</i> | <i>Part Number</i> | <i>Qty.</i> | <i>Description</i> |
|-------------|--------------------|-------------|--------------------|-------------|--------------------|-------------|--------------------|
| 1 | 133-0894-03 | 1 | Bracket-Fan Mount | 7 | 130-0588 | 1 | Nut-Switch |
| 2 | 125-9621-03 | 1 | Bracket-Mount, Fan | 8 | 125-9510 | 1 | Knob-Control |
| 3 | 132-3607 | 1 | Fan-Condenser | 9 | 133-0895 | 1 | Resister-4 Speed |
| 4 | 3229-11 | 4 | Screw-CARR | 10 | 363-8245 | 2 | Screw-TAP |
| 5 | 104-7201 | 4 | Nut-HF | 11 | 109102 | 1 | Fuse-Blade, 25 Amp |
| 6 | 122-0150 | 1 | Switch, Rotary | 12 | 122-1224 | 1 | Harness-Wire |



Count on it.