



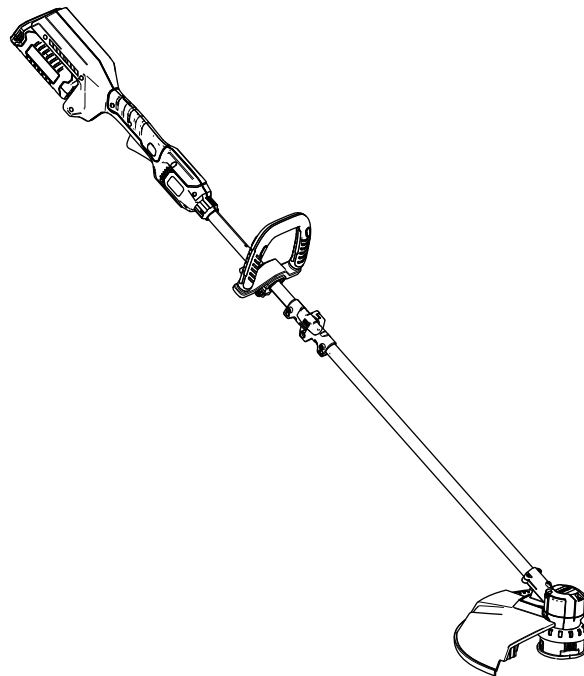
Count on it.

Operator's Manual

Power Plex™ 36cm 40V MAX String Trimmer

Model No. 51132—Serial No. 317000001 and Up

Model No. 51132T—Serial No. 317000001 and Up



This product complies with all relevant European directives. For details, please see the separate product specific Declaration of Conformity (DOC) sheet.

Introduction

This trimmer is intended to be used by residential homeowners to trim grass as needed. It is designed to use only battery pack Models 88525 (provided with model 51132) or 88526.

Read this information carefully to learn how to operate and maintain your product properly and to avoid injury and product damage. You are responsible for operating the product properly and safely.

You may contact Toro directly at www.Toro.com for product and accessory information, help finding a dealer, or to register your product.

Model 51132T does not include a battery pack or a charger.

Safety

WARNING: When using electric gardening appliances, always follow basic safety precautions to reduce the risk of fire, electric shock, and personal injury, including the following:

⚠ WARNING

Failure to follow all warnings and instructions may result in electric shock, fire and/or serious injury.

Read all safety warnings and all instructions.

Save all warnings and instructions for future reference.

The term “power tool” in all of the warnings refers to your mains-operated (corded) power tool or battery-operated (cordless) power tool.

1. **Work area safety**

- A. **Keep the work area clean and well lit.** *Cluttered or dark areas invite accidents.*
- B. **Do not operate power tools in explosive atmospheres, such as in the presence of flammable liquids, gasses, or dust.** *Power tools create sparks, which may ignite the dust or fumes.*
- C. **Keep children and bystanders away while operating a power tool.** *Distractions can cause you to lose control.*
- D. **Avoid dangerous environments.** *Do not use appliances in damp or wet locations.*

2. **Personal safety**

- A. **Stay alert; watch what you are doing and use common sense when operating a power tool. Do not use a power tool while you are tired or under the influence of drugs, alcohol, or medication.** *A moment of inattention while operating power tools may result in serious personal injury.*
- B. **Use personal protective equipment. Always wear eye protection.** *Protective equipment such as a dust mask, non-skid safety shoes, a hard hat, or hearing protection used for appropriate conditions will reduce personal injuries.*
- C. **Prevent unintentional starting. Ensure the switch is in the OFF position before connecting to power source and/or battery pack and picking up or carrying the tool.** *Carrying power tools with your finger on the switch or energizing power tools that have the switch on invites accidents.*

- D. **Do not overreach. Keep proper footing and balance at all times.** *This enables better control of the power tool in unexpected situations.*
 - E. **Dress properly. Do not wear loose clothing or jewelry. Keep your hair, clothing and gloves away from moving parts.** *Loose clothes, jewelry, or long hair can be caught in moving parts.*
 - F. **Keep your hands and feet away from the cutting area.**
3. **Power tool use and care**
- A. **Do not force the power tool. Use the correct power tool for your application.** *The correct power tool will do the job better and safer at the rate for which it was designed.*
 - B. **Do not use the power tool if the switch does not turn it on and off.** *Any power tool that cannot be controlled with the switch is dangerous and must be repaired.*
 - C. **Remove the battery pack from the power tool before making any adjustments, changing accessories, or storing power tools.** *Such preventive safety measures reduce the risk of starting the power tool accidentally.*
 - D. **Store idle power tools out of the reach of children and do not allow persons unfamiliar with the power tool or these instructions to operate the power tool.** *Power tools are dangerous in the hands of untrained users.*
 - E. **Store idle appliances indoors.** *When not in use, appliances should be stored indoors in a dry and high or locked-up place, out of the reach of children.*
 - F. **Maintain power tools. Check for misalignment or binding of moving parts, breakage of parts and any other condition that may affect the power tools operation. If damaged, have the power tool repaired before use.** *Many accidents are caused by poorly maintained power tools.*
 - G. **Maintain appliance with care. Keep cutting edge sharp and clean for best performance and to reduce the risk of injury. Follow instructions for lubricating and changing accessories. Keep handles dry, clean, and free from oil and grease.**
 - H. **Keep cutting tools sharp and clean.** *Properly maintained cutting tools with sharp cutting edges are less likely to bind and are easier to control.*
 - I. **Use the power tool in accordance with these instructions and in the manner intended for the particular type of power tool, taking into account the working conditions and the work to be performed.** *Using the power tool for operations different from those intended could result in a hazardous situation.*
 - J. **Keep guards in place and in working order.**
 - K. **Check for damaged parts.** *Before further use of the appliance, a guard or other part that is damaged should be carefully checked to determine that it will operate properly and perform its intended function. Check for alignment of moving parts, binding of moving parts, breakage of parts, mounting, and any other condition that may affect its operation. A guard or other part that is damaged should be properly repaired or replaced by an authorized service center unless indicated elsewhere in this manual.*
4. **Service**
- Have your power tool serviced by a qualified repair person using only identical replacement parts.** *This will ensure that the safety of the power tool is maintained.*
5. **Battery Safety**
- A. *Do not charge appliance in rain or in wet locations.*
 - B. *Do not use battery-operated appliance in the rain.*
 - C. *Use only the following type and size battery(ies): Toro battery Model 88525 or 88526.*
 - D. *Remove or disconnect the battery before servicing, cleaning, or removing material from the gardening appliance.*
 - E. *Do not dispose of the battery(ies) in a fire. The cell may explode. Check with local codes for possible special disposal instructions.*
 - F. *Do not open or mutilate the battery(ies). Released electrolyte is corrosive and may cause damage to the eyes or skin. It may be toxic if swallowed.*
 - G. *Exercise care in handling batteries in order not to short the battery with conducting materials such as rings, bracelets, and keys. The battery or conductor may overheat and cause burns.*
- SAVE THESE INSTRUCTIONS**

Sound Pressure

This unit has a sound pressure level at the operator's ear of 77.6 dBA, with an Uncertainty Value (K) of 3 dBA.

The sound pressure level was determined according to the procedures outlined in EN ISO 11201.

Sound Power

This unit has a guaranteed sound power level of 96 dBA, which includes an Uncertainty Value (K) of 1 dBA.

The sound power level was determined according to the procedures outlined in EN ISO 11094.

Hand/Arm Vibration

Measured vibration level for right hand = 1.54 m/s²

Measured vibration level for left hand = 1.23 m/s²

Uncertainty Value (K) = 1.5 m/s²

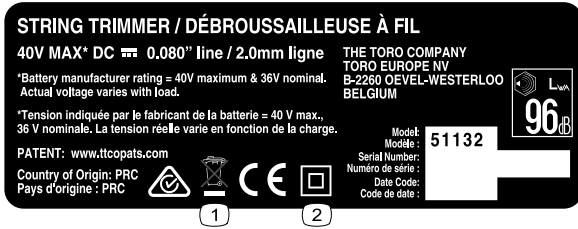
The measured values were determined according to the procedures outlined in EN ISO 20643.

Important: The vibration emission during actual use of the power tool can differ from the declared total value depending on the way the tool is used. The operator should take safety measures based on an estimation of exposure in the actual conditions of use.

Safety and Instructional Decals



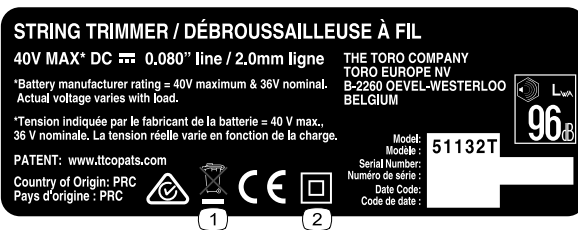
Safety decals and instructions are easily visible to the operator and are located near any area of potential danger. Replace any decal that is damaged or missing.



decal136-2491

136-2491

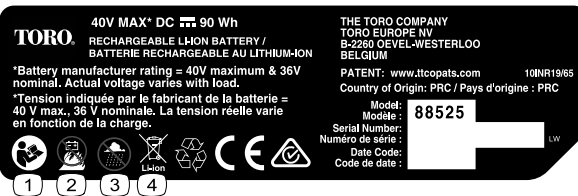
1. Do not discard.
2. Double insulated



decal136-2492

136-2492

1. Do not discard.
2. Double insulated



decal136-2499

136-2499

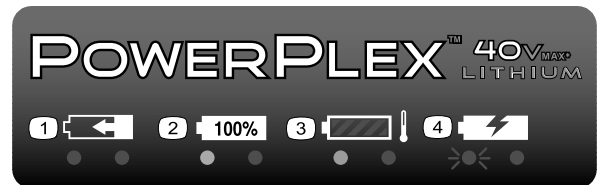
1. Read the *Operator's Manual*.
2. Do not burn the battery.
3. Do not operate in wet conditions.
4. Do not discard.



decal136-2501

136-2501

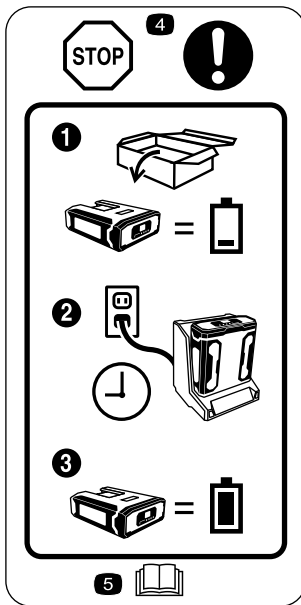
1. Do not discard.
2. Double insulated
3. Residential
4. Read the *Operator's Manual*.



decal136-2504

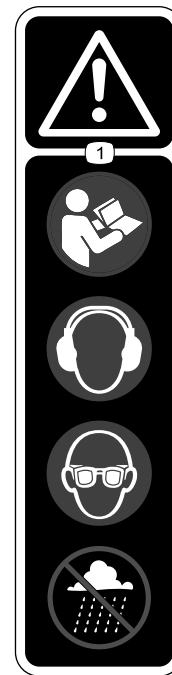
136-2504

1. The battery pack is charging.
2. The battery pack is fully charged.
3. The battery pack is too warm.
4. The battery pack needs to be replaced.



136-2534

decal136-2534

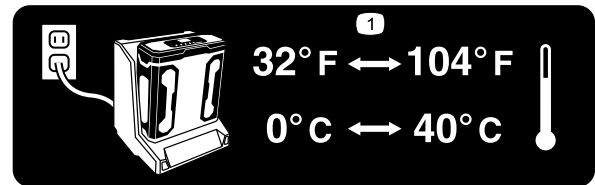


136-2537

decal136-2537

1. The battery does not come out of the box fully charged.
2. Place the battery in the battery charger.
3. Wait until the battery is fully charged before the first use.
4. Stop—follow these instructions before first use.
5. Read the *Operator's Manual*.

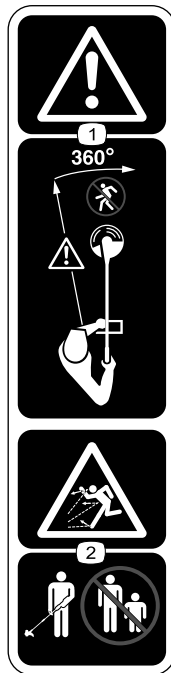
1. Warning—read the *Operator's Manual*; wear hearing protection; wear eye protection; do not operate in wet conditions.



136-2539

decal136-2539

1. Charge the battery where the temperature is between 0°C and 40°C (32°F and 104°F).



136-2535

decal136-2535

1. Warning—keep bystanders away from the machine in all directions.
2. Thrown object hazard—keep bystanders away from the machine.

Setup

Loose Parts

Use the chart below to verify that all parts have been shipped.

Procedure	Description	Qty.	Use
1	No parts required	–	Mount the battery charger.
2	Connector knob Nut	1 1	Unfold the handle.
3	Auxiliary handle	1	Install the auxiliary handle.
4	Guard Phillips head screw	1 4	Mounting the guard to the base of the trimmer.

Note: The battery pack is not fully charged when you purchase it. Before using the tool for the first time, refer to [Charging the Battery Pack \(page 11\)](#).

1

Mounting the Battery Charger (Optional)

No Parts Required

Procedure

If desired, mount the battery charger securely on a wall using the wall-mount key holes on the back of the unit.

Make sure to mount it indoors (such as a garage or other dry place), near a power outlet, and out of the reach of children.

Refer to [Figure 1](#) for assistance in mounting the charger.

Note: Slide and twist the charger over the appropriately positioned hardware to secure the charger in place.

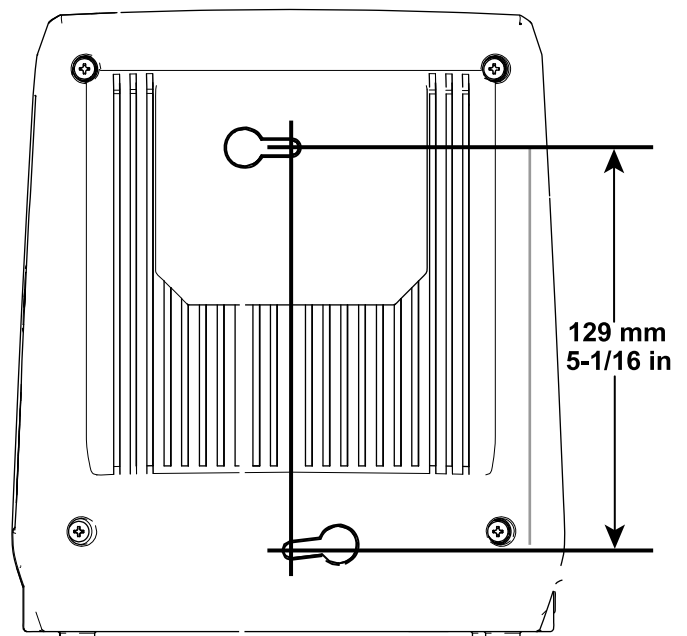


Figure 1

g194202

2

Unfolding the Handle

Parts needed for this procedure:

1	Connector knob
1	Nut

Procedure

1. Unfold the handle (A of [Figure 2](#)).
2. Install the connector knob and nut to secure the handle (B of [Figure 2](#)).

Note: The nut that holds the handle connector knob in place is lightly secured in the connector housing with the piece of tape. Remove the tape after you install the connector knob.

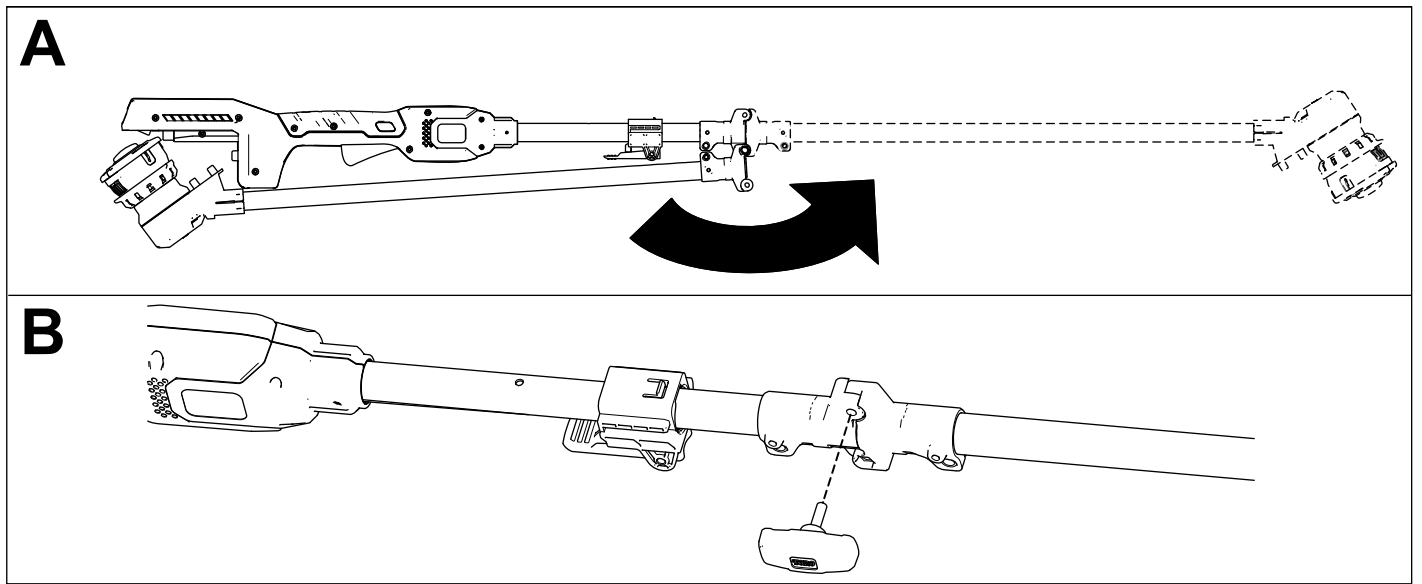


Figure 2

g210597

3

Installing the Auxiliary Handle

Parts needed for this procedure:

1	Auxiliary handle
---	------------------

Procedure

1. Line up the groove along the handle with the groove on the auxiliary handle and slide the auxiliary handle toward the trimmer handle (A of [Figure 3](#)).
2. Snap the handle securely into place (B of [Figure 3](#)).

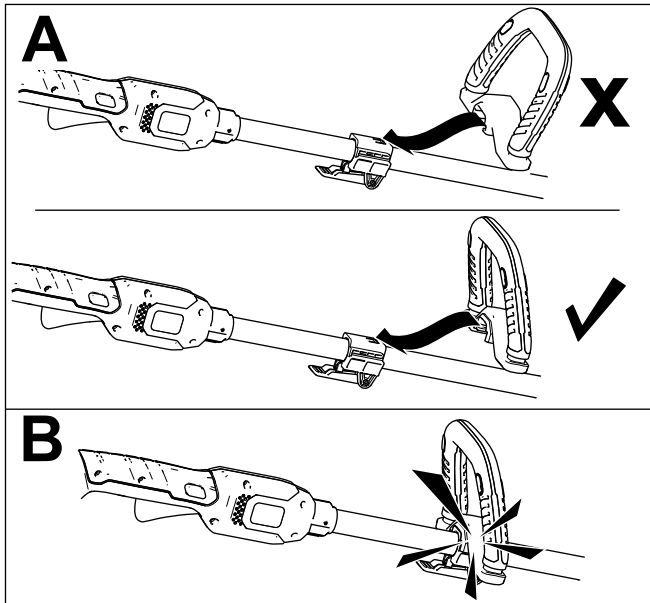


Figure 3

g195362

4

Installing the Guard

Parts needed for this procedure:

1	Guard
4	Phillips head screw

Procedure

Remove the 4 Phillips head screws that are taped to the guard and use them to install the guard ([Figure 4](#)).

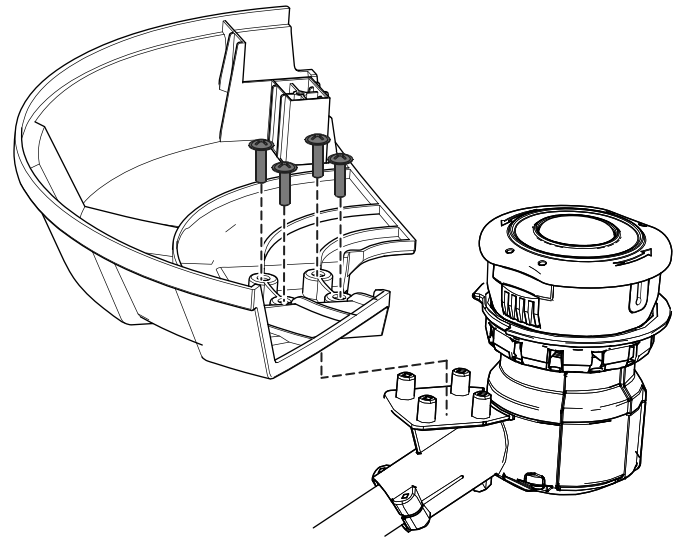


Figure 4

g207324

Product Overview

Specifications

Weights

Mass of the machine without the battery	3.2 kg (7.0 lb)
Mass of the machine with battery 88525	4.2 kg (9.2 lb)
Mass of the machine with battery 88526	4.8 kg (10.5 lb)

Appropriate Temperature Ranges

Charge the battery at	0°C (32°F) to 40°C (104°F)*
Use products at	-15°C (5°F) to 60°C (140°F)
Store products at	-15°C (5°F) to 60°C (140°F)
Unplug the charger if	Below 0°C (32°F) or above 40°C (104°F)

*Charging time will increase if you do not charge the battery within this range.

Store the tool, battery pack, and battery charger in an enclosed clean, dry area.

Operation

Starting the Trimmer

1. Make sure that the vents on the trimmer are clear of any dust and debris.

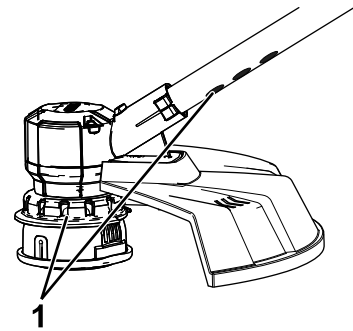


Figure 5

g207326

1. Trimmer venting areas

2. Align the cavity in the battery pack with the tongue on the handle housing (Figure 6).
3. Push the battery pack into the handle until the battery pack locks into the latch (Figure 6).

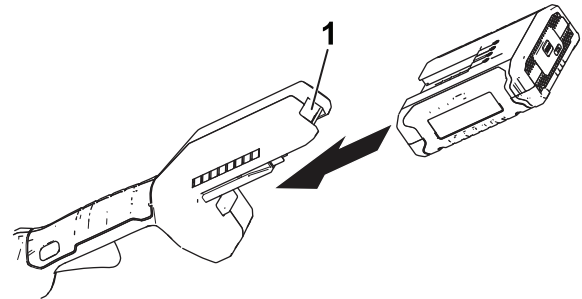


Figure 6

g189881

1. Battery latch

4. To start the trimmer, press the lock out button, then squeeze the variable-speed trigger (Figure 7).

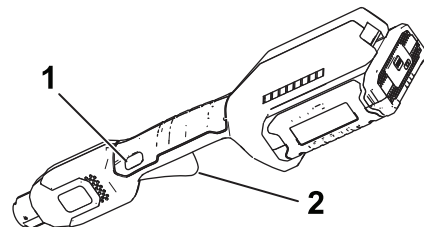


Figure 7

g189886

1. Lock out button
2. Variable-speed trigger

Stopping the Trimmer

To stop the trimmer, release the trigger.

Removing the Battery Pack from the Trimmer

Press the battery latch on the machine to release the battery pack and slide the battery pack out of the machine (Figure 8).

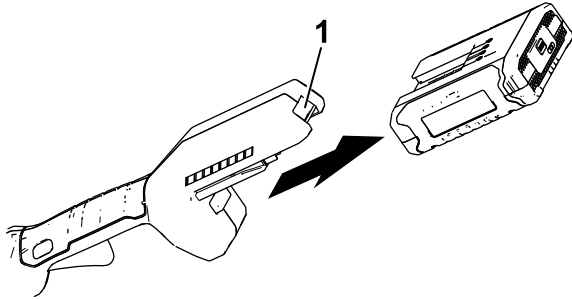


Figure 8

g192774

1. Battery latch

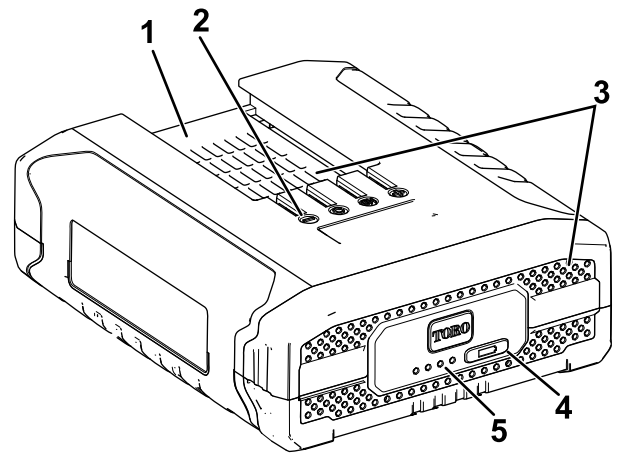


Figure 9

g192748

1. Battery pack cavity
2. Battery pack terminals
3. Battery pack venting areas
4. Battery-charge-indicator button
5. LED indicators (current charge)

4. Make sure that the vents on the battery charger are clear of any dust and debris.
5. Slide the battery pack into the charger until it is fully seated (Figure 10).

Charging the Battery Pack

Important: Read all safety precautions.

Important: Charge the battery pack only in temperatures that are within the appropriate range; refer to [Specifications \(page 10\)](#).

Note: At any time, press the battery-charge-indicator button on the battery pack to display the current charge (LED indicators).

1. Plug the power cord that matches your power outlets into the battery charger.
2. Make sure that the vents on the battery pack are clear of any dust and debris.
3. Line up the cavity in the battery pack (Figure 10) with the tongue on the charger.

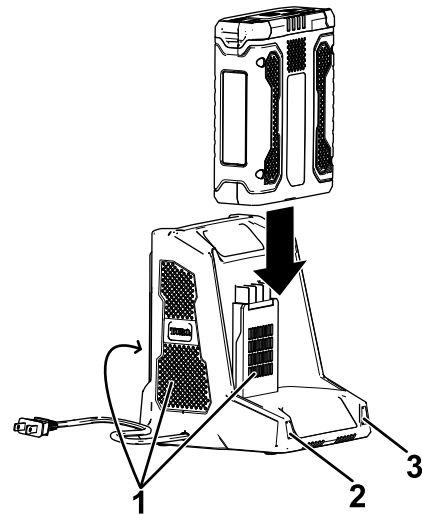


Figure 10

g194423

1. Charger venting areas
2. Left indicator light
3. Right indicator light

6. To remove the battery pack, slide the battery backward out of the charger.

7. Refer to the following table to interpret the LED indicators on the battery charger.

Left Light	Right Light	Indicates:
Off	Red	Charger is on; no battery pack inserted
Red	Red	Battery pack is charging
Green	Red	Battery pack is charged
Orange	Red	Battery pack is too warm
Red Blinking	Red	Replace the battery pack

Advancing the Line Using the Bump Feed

1. Run the tool at full throttle.
2. Tap the bump button on the ground to advance the line. The line advances each time the bump button is tapped. Do not hold the bump button on the ground.

Note: The line trimming cut-off blade on the grass deflector will cut the line to the correct length.

Note: If the line is worn too short you may not be able to advance the line by tapping it on the ground. If so, release the trigger and refer to [Advancing the Line Manually \(page 12\)](#).

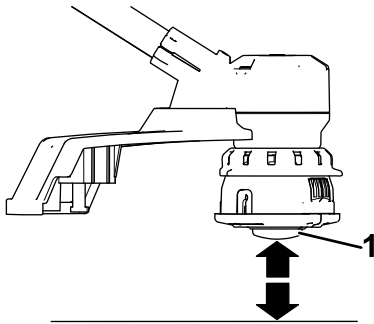


Figure 11

g194633

1. Bump button

Advancing the Line Manually

Remove the battery pack from the trimmer, then push the bump button at the base of the spool retainer while pulling on the trimmer line to manually advance the line.

Adjusting the Auxiliary Handle

1. Release the auxiliary-handle latch (A of [Figure 12](#)).
2. Slide the auxiliary handle up or down to your desired height (B of [Figure 12](#)).

Important: Do not remove the rubber bumper.

3. Close the auxiliary-handle latch to secure the auxiliary handle in place (C of [Figure 12](#)).

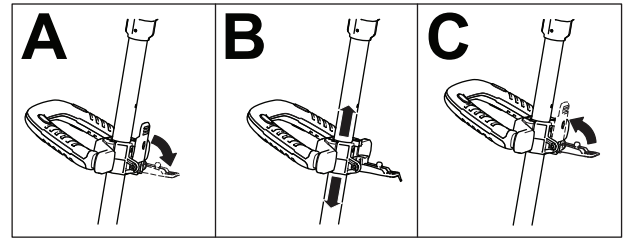


Figure 12

g189875

Trimming

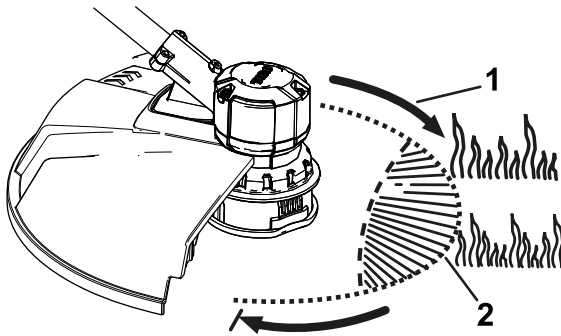


Figure 13

g207329

Operating Tips

- Keep the trimmer tilted toward the area being cut; this is the best cutting area.
- The string trimmer cuts when you move it from left to right. This prevents the trimmer from throwing debris at you.
- Use the tip of the string to do the cutting; do not force the string head into uncut grass.
- Wire and picket fences can cause the string to wear rapidly and even break. Stone and brick walls, curbs, and wood can also cause the string to wear rapidly.
- Avoid trees and shrubs. The string can easily damage tree bark, wood moldings, siding, and fence posts.



g207327

Figure 14

1. Direction of rotation 2. String path
-

Maintenance

After each use of the trimmer, complete the following:

1. Remove the battery from the trimmer.
2. Wipe the trimmer clean with a damp cloth. Do not hose the trimmer down or submerge it in water.

⚠ CAUTION

The line cutoff blade on the deflector is sharp and can cut you.

Do not use your hands to clean the deflector shield and blade.

3. Wipe or scrape clean the cutting head area any time there is an accumulation of debris.
4. Check and tighten all fasteners. If any part is damaged or lost, repair or replace it.
5. Brush debris away from air intake vents and exhaust on motor housing to prevent the motor from overheating.

Replacing the Spool

Use only 2 mm (0.08 inch) diameter monofilament string. Use original manufacturer's replacement string for best performance (Toro Part No. 88546TE).

Important: Using a larger diameter string will cause the motor to overheat and fail.

1. Remove the battery.
2. Push in the tab on the side of the spool retainer (Figure 15).

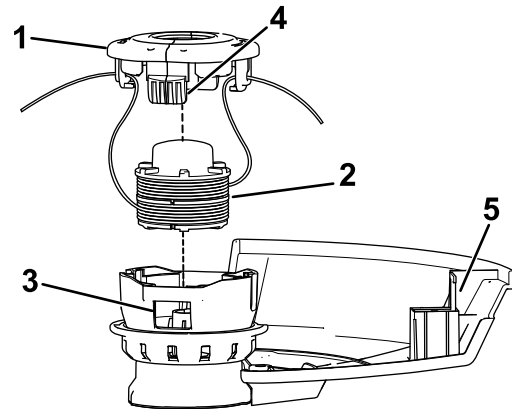


Figure 15

g203887

- | | |
|-------------------|----------------------|
| 1. Spool retainer | 4. Tab |
| 2. Spool | 5. Line cutoff blade |
| 3. Slot | |

3. Pull the spool retainer up to remove it and remove the spool.
4. To install the new spool, make sure that the string is captured in one of the retaining slots on the new spool. Make sure the end of the string extends approximately 152 mm (6 inches).
5. Install the new spool so that the string aligns with the eyelet in the string head. Thread the string into the eyelet.
6. Pull the string extending from the string head so the string releases from the slot in the spool.
7. Reinstall the spool retainer by depressing tabs into slots and pushing down until spool retainer clicks into place.

Replacing the String

1. Remove the battery.
2. Remove the spool; refer to [Replacing the Spool \(page 14\)](#).

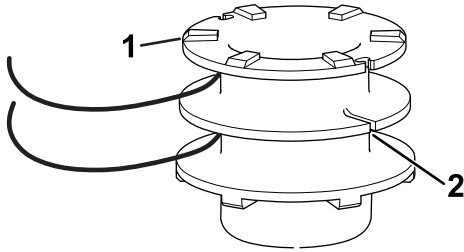


Figure 16

g203888

1. Spool
2. Anchor slot

Note: Remove any old string remaining on the spool.

3. Each side of the spool accepts approximately 3.6 m (12 ft) of string. **Use only 2 mm (0.08 inch) diameter monofilament string.**

Note: Do not use any other gauge or type of string, as this could damage the trimmer.

4. Insert the string into the anchor hole in the upper part of the spool ([Figure 16](#)). Wind the string onto the spool in the direction shown by the arrows on the spool.
5. Place the string in the slot on the upper spool flange, leaving about 152 mm (6 inches) extended beyond the slot.

Note: Do not overfill. After winding the string, there should be at least 6 mm (1/4 inch) between the wound string and the outside edge of the spool.

6. Replace the spool and the spool retainer; refer to [Replacing the Spool \(page 14\)](#).

Storage

Important: Store the tool, battery pack, and charger only in temperatures that are within the appropriate range; refer to [Specifications \(page 10\)](#).

Important: If you are storing the tool for a year or longer, remove the battery pack from the tool and charge the battery pack until 2 or 3 LED indicators turn blue on the battery. Do not store a fully charged or fully depleted battery. When ready to use again, charge the battery pack until the left indicator light turns green on the charger or all 4 LED indicators turn blue on the battery.

- Clean all foreign material from the product.
- Store the tool, battery pack, and battery charger in a well-ventilated place that is inaccessible to children.
- Keep the tool, battery pack, and battery charger away from corrosive agents such as garden chemicals and de-icing salts.
- To reduce the risk of serious personal injury, do not store the battery pack outside or in vehicles.
- Store the tool, battery pack, and battery charger in an enclosed clean, dry area.

Preparing the Battery Pack for Recycling

Important: Upon removal, cover the terminals of the battery pack with heavy-duty adhesive tape. Do not attempt to destroy or disassemble the battery pack or remove any of its components. Lithium-ion battery packs must be recycled or disposed of properly at the nearest battery recycling facility.



For more information on recycling lithium-ion battery packs and to locate the battery recycling facility closest to you, visit www.Call2Recycle.org (US and Canada only). If you are located outside of the US and Canada, please contact your authorized Toro distributor.

Troubleshooting

Perform only the steps described in these instructions. All further inspection, maintenance, and repair work must be performed by an authorized service center or a similarly qualified specialist if you cannot solve the problem yourself.

Problem	Possible Cause	Corrective Action
The tool does not start.	<ol style="list-style-type: none"> 1. The battery is not fully installed in the tool. 2. The battery pack is not charged. 3. The battery pack is damaged. 4. There is another electrical problem with the tool. 	<ol style="list-style-type: none"> 1. Remove and then replace the battery into the tool, making sure that it is fully installed and latched. 2. Remove the battery pack from the tool and charge it. 3. Replace the battery pack. 4. Contact an Authorized Service Dealer.
The tool does not reach full power.	<ol style="list-style-type: none"> 1. The battery pack charge capacity is too low. 2. The air vents are blocked. 	<ol style="list-style-type: none"> 1. Remove the battery pack from the tool and fully charge the battery pack. 2. Clean the air vents.
The tool is producing excessive vibration or noise.	<ol style="list-style-type: none"> 1. There is debris on the drum area on the trimmer. 2. The spool is not properly wound. 	<ol style="list-style-type: none"> 1. Remove an debris off of the drum area. 2. Advance the line using the bump feed and/or remove the line on the spool and wind the spool again.
The battery pack loses charge quickly.	<ol style="list-style-type: none"> 1. The battery pack is over or under the appropriate temperature range. 	<ol style="list-style-type: none"> 1. Move the battery pack to a place where it is dry and the temperature is between 0°C (32°F) and 40°C (104°F).
The battery charger is not working.	<ol style="list-style-type: none"> 1. The battery charger is over or under the appropriate temperature range. 2. The outlet that the battery charger is plugged into does not have power. 	<ol style="list-style-type: none"> 1. Unplug the battery charger and move it to a place where it is dry and the temperature is between 0°C (32°F) and 40°C (104°F). 2. Contact your licensed electrician to repair the outlet.
The battery pack shows only 3 LED indicators after only a few seconds of using a fully charged battery.	<ol style="list-style-type: none"> 1. This is a normal occurrence. 	<ol style="list-style-type: none"> 1. Stop the tool and press battery-charge-indicator button or the remove the battery from the tool to display the actual battery charge.
All 4 LED indicators are blinking on the battery pack after you press the battery-charge-indicator button on the battery pack and the current charge displays (when the battery pack is not in use).	<ol style="list-style-type: none"> 1. The battery pack is over or under the appropriate temperature range. 	<ol style="list-style-type: none"> 1. Move the battery pack to a place where it is dry and the temperature is between 0°C (32°F) and 40°C (104°F).
All 4 LED indicators are blinking on the battery pack after releasing the trigger (when the battery pack is in use).	<ol style="list-style-type: none"> 1. The battery pack is over or under the appropriate temperature range. 	<ol style="list-style-type: none"> 1. Move the battery pack to a place where it is dry and the temperature is between 0°C (32°F) and 40°C (104°F).
2 LED indicators are blinking on the battery pack after you press the battery-charge-indicator button on the battery pack and the current charge displays (when the battery pack is not in use).	<ol style="list-style-type: none"> 1. There is a difference in voltage between cells in the battery pack. 	<ol style="list-style-type: none"> 1. Place the battery on the charger until it is fully charged.
2 LED indicators are blinking on the battery pack after releasing the trigger (when the battery pack is in use).	<ol style="list-style-type: none"> 1. There is a difference in voltage between cells in the battery pack. 	<ol style="list-style-type: none"> 1. Place the battery on the charger until it is fully charged.
1 LED indicator is blinking on the battery pack.	<ol style="list-style-type: none"> 1. The battery pack voltage is low. 	<ol style="list-style-type: none"> 1. Place the battery pack on the charger.

Problem	Possible Cause	Corrective Action
An audible tone sounds when advancing the line using the bump feed.	1. This is a normal occurrence.	1. Stop the tool by releasing the trigger and then start the tool.
It is difficult to remove the battery pack from the tool.	1. The battery pack/tool is new or there is corrosion in the battery terminals and/or the terminals on the tool.	1. Clean the terminals on the battery pack and the tool. Then apply dielectric grease to the battery terminals; do not use any other type of lubricant as it can damage the terminals.

Notes:

European Privacy Notice

The Information Toro Collects

Toro Warranty Company (Toro) respects your privacy. In order to process your warranty claim and contact you in the event of a product recall, we ask you to share certain personal information with us, either directly or through your local Toro company or dealer.

The Toro warranty system is hosted on servers located within the United States where privacy law may not provide the same protection as applies in your country.

BY SHARING YOUR PERSONAL INFORMATION WITH US, YOU ARE CONSENTING TO THE PROCESSING OF YOUR PERSONAL INFORMATION AS DESCRIBED IN THIS PRIVACY NOTICE.

The Way Toro Uses Information

Toro may use your personal information to process warranty claims, to contact you in the event of a product recall and for any other purpose which we tell you about. Toro may share your information with Toro's affiliates, dealers or other business partners in connection with any of these activities. We will not sell your personal information to any other company. We reserve the right to disclose personal information in order to comply with applicable laws and with requests by the appropriate authorities, to operate our systems properly or for our own protection or that of other users.

Retention of your Personal Information

We will keep your personal information as long as we need it for the purposes for which it was originally collected or for other legitimate purposes (such as regulatory compliance), or as required by applicable law.

Toro's Commitment to Security of Your Personal Information

We take reasonable precautions in order to protect the security of your personal information. We also take steps to maintain the accuracy and current status of personal information.

Access and Correction of your Personal Information

If you would like to review or correct your personal information, please contact us by email at legal@toro.com.

Australian Consumer Law

Australian customers will find details relating to the Australian Consumer Law either inside the box or at your local Toro Dealer.



The Toro Warranty and The Toro GTS Starting Guarantee

Residential Products

Conditions and Products Covered

The Toro Company and its affiliate, Toro Warranty Company, pursuant to an agreement between them, jointly promise to repair the Toro Product listed below if defective in materials or workmanship or if the Toro GTS (Guaranteed to Start) engine will not start on the first or second pull, provided the routine maintenance required in the *Operator's Manual* have been performed.

The following time periods apply from the original date of purchase:

Products	Warranty Period
Walk Power Mowers	
• Cast Deck	5 years Residential Use ² 90 Days Commercial Use
—Engine	5 years GTS Guarantee, Residential Use ³
—Battery	2 years
• Steel Deck	2 years Residential Use ² 30 Days Commercial Use
—Engine	2 years GTS Guarantee, Residential Use ³
TimeMaster Mowers	
• Engine	3 years Residential Use ² 90 Days Commercial Use 3 years GTS Guarantee, Residential Use ³
• Battery	2 years
Electric Hand Held Products	
• Ultra Products	2 years Residential Use ²
• Power Plex Products	3 years Residential Use ²
—Battery	2 years
Electric Walk Power Mowers	No Warranty for Commercial Use
All Ride-On Units Below	
• Engine	See engine manufacturer's warranty ⁴
• Battery	2 years Residential Use ²
• Attachments	2 years Residential Use ²
DH Lawn & Garden Tractors	2 years Residential Use ² 30 Days Commercial Use
TimeCutter	
• Engine	3 years Residential Use ² 30 Days Commercial Use 3 years Residential Use ² 2 years or 300 hours Commercial Use ⁵
TimeCutter HD	
• Engine	3 years or 300 hours ⁵ 3 years or 300 hours Commercial Use ⁵

¹Original Purchaser means the person who originally purchased the Toro Product.

²Residential use means use of the product on the same lot as your home. Use at more than one location is considered commercial use and the commercial use warranty would apply.

³The Toro GTS Starting Guarantee does not apply when the product is used commercially.

⁴Some engines used on Toro Products are warranted by the engine manufacturer.

⁵Whichever occurs first.

Warranty may be denied if the hour meter is disconnected, altered, or shows signs of being tampered with.

Owner Responsibilities

You must maintain your Toro Product by following the maintenance procedures described in the *Operator's Manual*. Such routine maintenance, whether performed by a dealer or by you, is at your expense.

Instructions for Obtaining Warranty Service

If you think that your Toro Product contains a defect in materials or workmanship, follow this procedure:

- Contact your seller to arrange service of the product. If for any reason it is impossible for you to contact your seller, you may contact any Toro Authorized Distributor to arrange service. Visit <http://www.toro.com/en-us/locator/pages/default.aspx> to locate a Toro distributor in your area.
- Bring the product and your proof of purchase (sales receipt) to the servicing outlet. If for any reason you are dissatisfied with the servicing outlet's analysis or with the assistance provided, contact us at:

Toro Warranty Company
Toro Customer Care Department, RLC Division
8111 Lyndale Avenue South
Bloomington, MN 55420-1196
001-952-948-4707

Items and Conditions Not Covered

There is no other express warranty except for special emission system coverage and engine warranty coverage on some products. This express warranty does not cover the following:

- Cost of regular maintenance service or parts, such as filters, fuel, lubricants, oil changes, spark plugs, air filters, blade sharpening or worn blades, cable/linkage adjustments, or brake and clutch adjustments
- Components failing due to normal wear
- Any product or part which has been altered, misused, neglected, requires replacement, or repair due to accidents or lack of proper maintenance
- Pickup and delivery charges
- Repairs or attempted repairs by anyone other than an Authorized Toro Service Dealer
- Repairs necessary due to failure to follow recommended fuel procedure (consult *Operator's Manual* for more details)
 - Removing contaminants from the fuel system is not covered
 - Use of old fuel (more than one month old) or fuel which contains more than 10% ethanol or more than 15% MTBE
 - Failure to drain the fuel system prior to any period of non-use over one month
- Repairs or adjustments to correct starting difficulties due to the following:
 - Failure to follow proper maintenance procedures or recommended fuel procedure
 - Rotary mower blade striking an object
- Special operational conditions where starting may require more than two pulls:
 - First time starts after extended period of non-use over three months or seasonal storage
 - Cool temperature starts such as those found in early spring and late autumn
 - Improper starting procedures - if you are having difficulty starting your unit, please check the *Operator's Manual* to ensure that you are using the correct starting procedures. This can save an unnecessary visit to an Authorized Toro Service Dealer.

General Conditions

The purchaser is covered by the national laws of each country. The rights to which the purchaser is entitled with the support of these laws are not restricted by this warranty.