



Count on it.

Parts Catalog

CM-958H-PED

Concrete Mixer

Model No. 68008—Serial No. 402000000 and Up



Ordering Replacement Parts

To order replacement parts, please supply the part number, the quantity, and the description of each part desired.

Understanding Reference Numbers

Each identified part in an illustration has a reference number. The reference number for a part also appears in the parts list, along with other information about the part.

This catalog uses two special reference number formats, one to indicate parts in a service assembly and another to indicate the quantity of a given part in an illustration.

Service Assembly Reference Numbers

Parts in service assemblies have reference numbers in the form a:b. The a represents the reference number of the entire service assembly and the b represents a sequential number unique to each part within the service assembly.

For example, a wheel assembly might be identified by reference number 6, the tire by 6:1, the valve by 6:2, and the wheel by 6:3. When you order the assembly identified by reference number 6, you receive all parts identified by reference numbers 6:1, 6:2, and 6:3. However, you may also order any part individually. Reference numbers of this type appear in illustration and in parts lists.

Reference Numbers Indicating Quantity

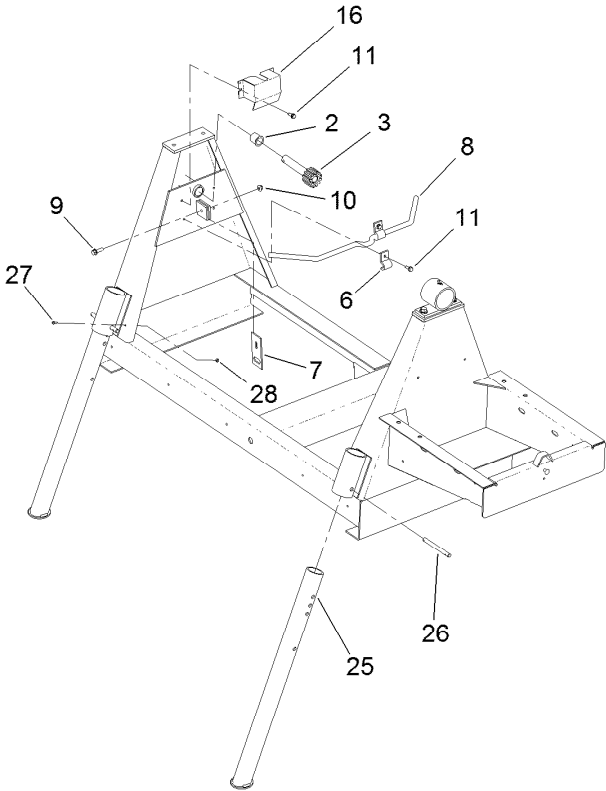
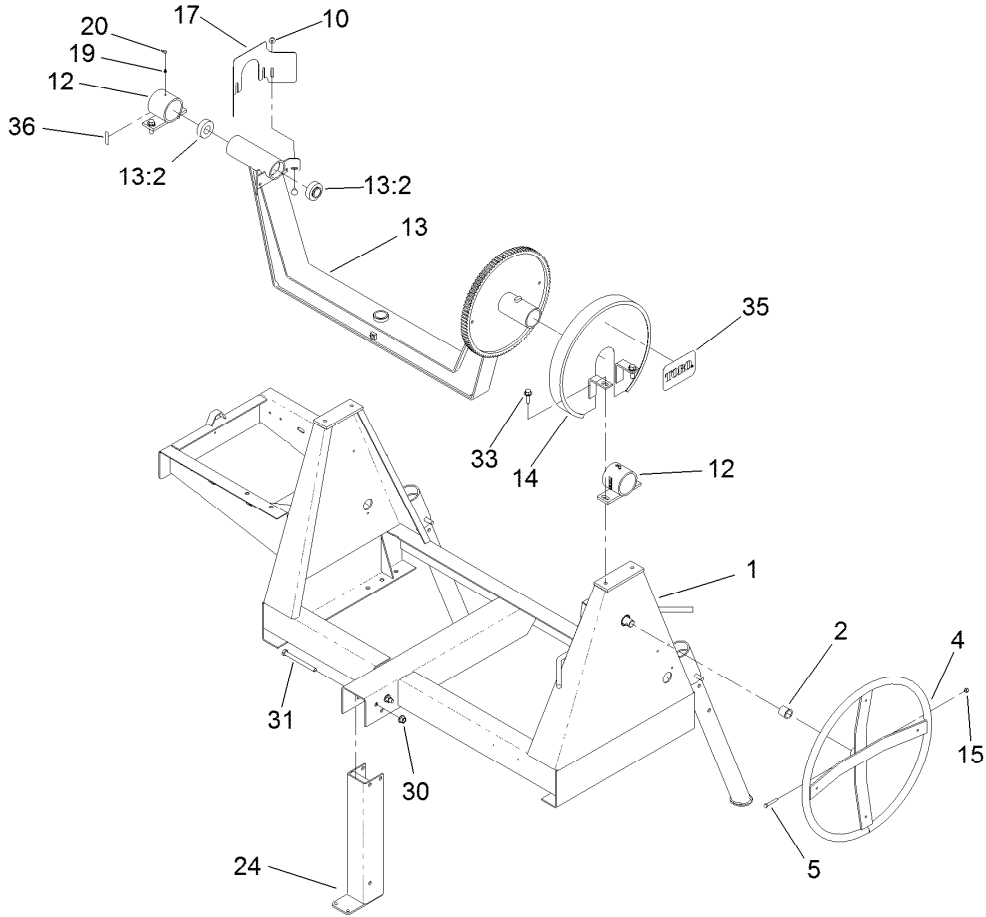
In an illustration, if a reference number indicates more than one part, the reference number has the form nX y. The n represents the quantity of the part, the X is the multiplication symbol, and the y represents the reference number.

For example, in an illustration, the reference number 2X 37 means that two of the parts identified by reference number 37 are indicated.

Contents

Main Frame Assembly	4
Axle Assembly	6
Hub Assembly No. 125-8171	8
Engine and Belt Assembly	10
Drum Assembly	12
Drum Assembly No. ST47332	14
Cowl Assembly	16
Attachments and Accessories	18

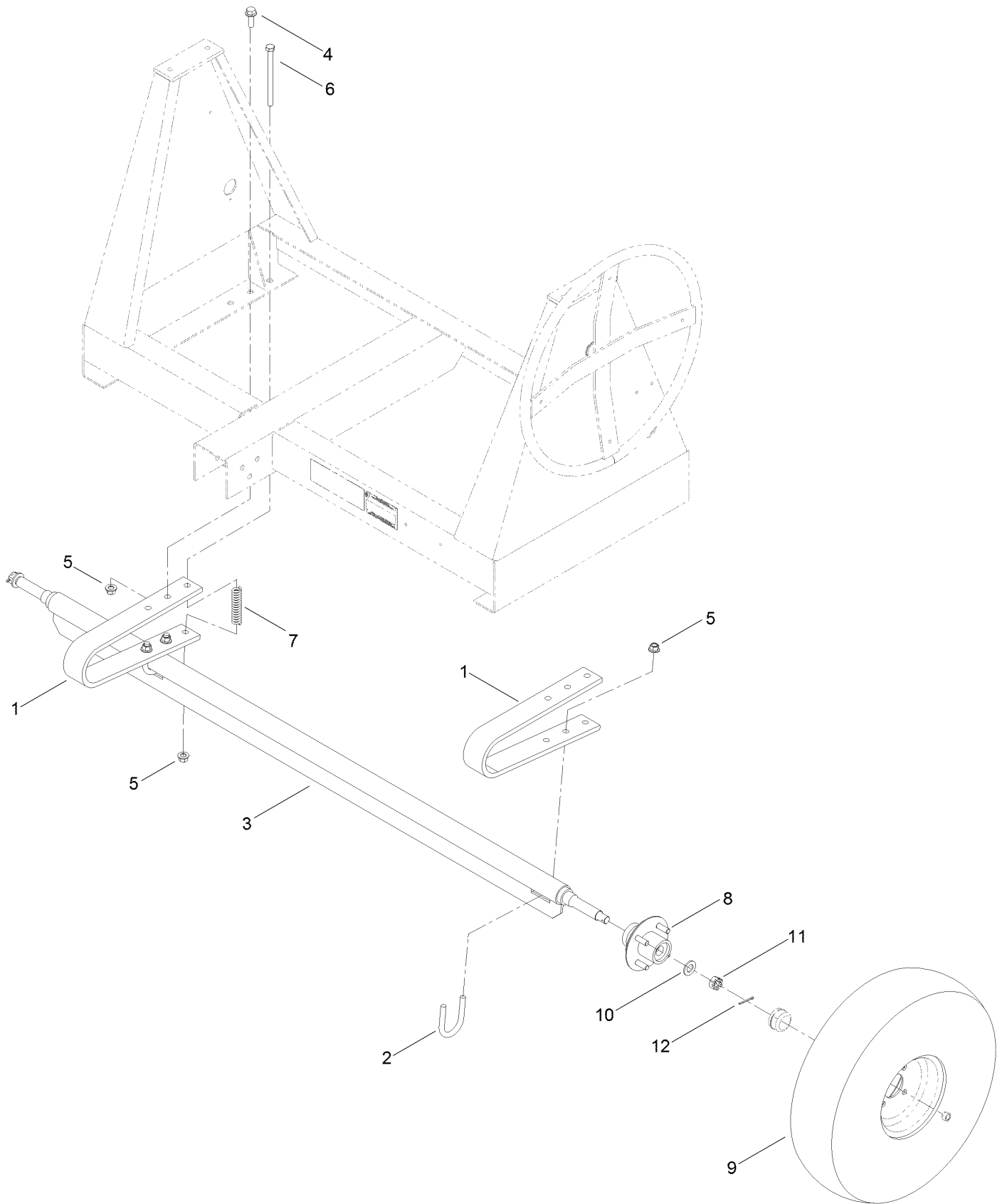
Main Frame Assembly



Main Frame Assembly (continued)

<i>Ref.</i>	<i>Part Number</i>	<i>Qty.</i>	<i>Description</i>	<i>Ref.</i>	<i>Part Number</i>	<i>Qty.</i>	<i>Description</i>
1	125-8685-03	1	Frame	15	3296-29	1	Nut-Lock, NI
2	ST32032	2	Bushing-Nylon	16	ST27618-03	1	Guard-Brake, Lower
3	ST22029	1	Shaft-Tilt	17	130-2208-03	1	Guard-Pinion
4	ST22096-03	1	Handwheel	19	ST46042	2	Fitting-Grease
5	322-10	1	Screw-HH	20	ST47001	2	Cap-Plug
6	ST27559-03	2	Bracket-Handle	24	ST21875-03	1	Post-Foot
7	ST27619-03	1	Dog-Brake	25	ST21874-03	2	Leg-Stabilizer
8	127-5593	1	Handle-Brake	26	ST80039	2	Pin-Clevis, Lanyard
9	3234-24	1	Screw-HHF	27	3290-500	2	Screw-PPH
10	104-8301	3	Nut-HF, NI	28	3296-2	2	Nut-Lock, NI
11	701243	4	Screw-Thd Roll, HWH	30	99-5107	2	Nut-Lock
12	ST24349-03	2	Trunnion	31	325-22	2	Screw-HH
13	125-6308	1	Yoke ASM	33	ST80031	4	Screw-HWH
13:2	ST32039	2	Bearing	35	99-4693	1	Decal
14	ST27617-03	1	Guard-Brake, Upper	36	125-8175	2	Decal-Grease

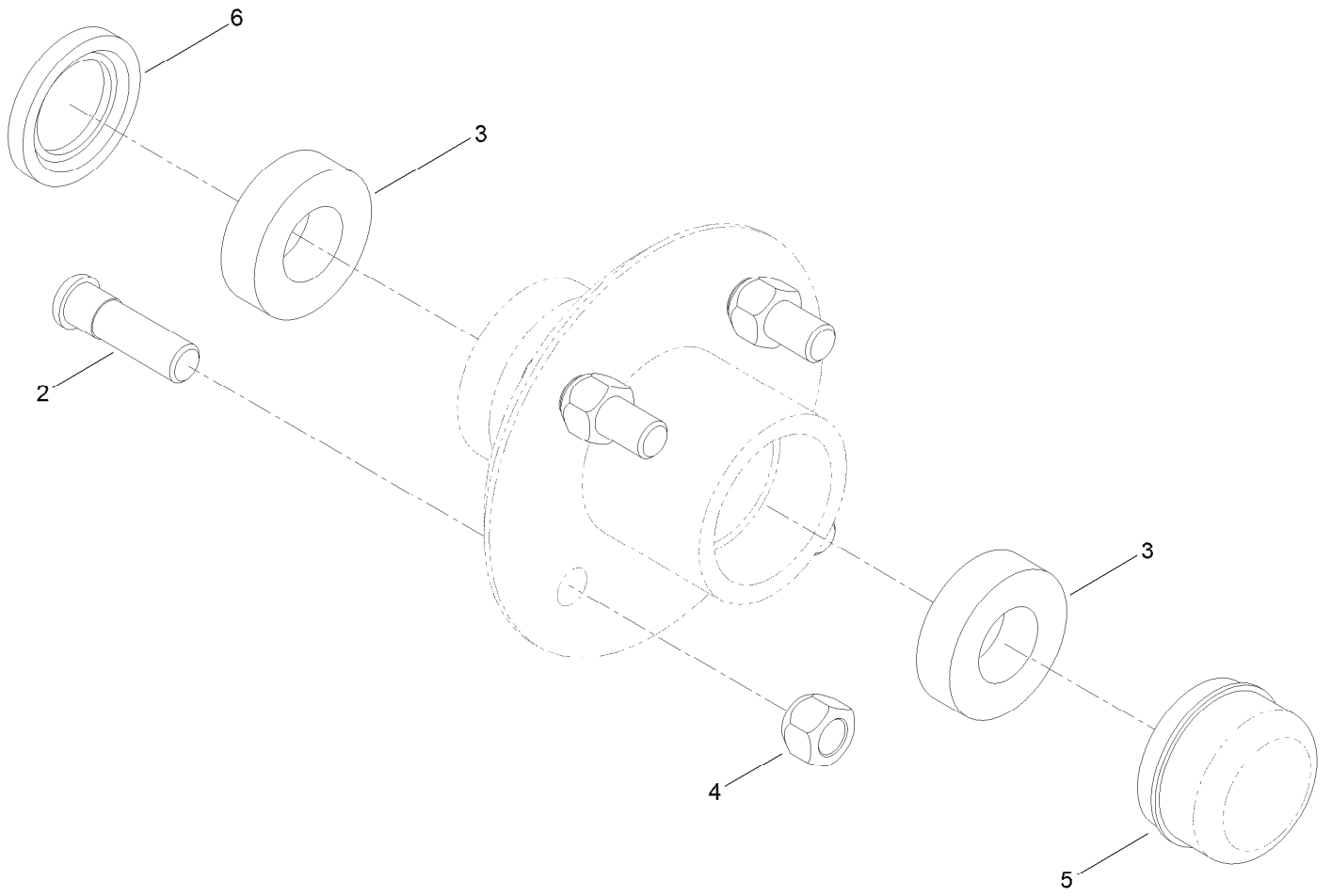
Axle Assembly



Axle Assembly (continued)

<i>Ref.</i>	<i>Part Number</i>	<i>Qty.</i>	<i>Description</i>	<i>Ref.</i>	<i>Part Number</i>	<i>Qty.</i>	<i>Description</i>
1	ST26971	2	Spring-Leaf	7	ST34972	2	Spring-Coil
2	ST26195	2	Bolt-U	8	125-8171	2	Hub ASM
3	ST21873-03	1	Axle-Spring	9	ST32307	2	Tire And Rim ASM
4	100-6116	4	Screw-HHF	10	3256-28	2	Washer-Flat
5	99-5107	10	Nut-Lock	11	ST80054	2	Nut
6	325-33	2	Screw-HH	12	3272-13	2	Pin-Cotter

Hub Assembly No. 125-8171

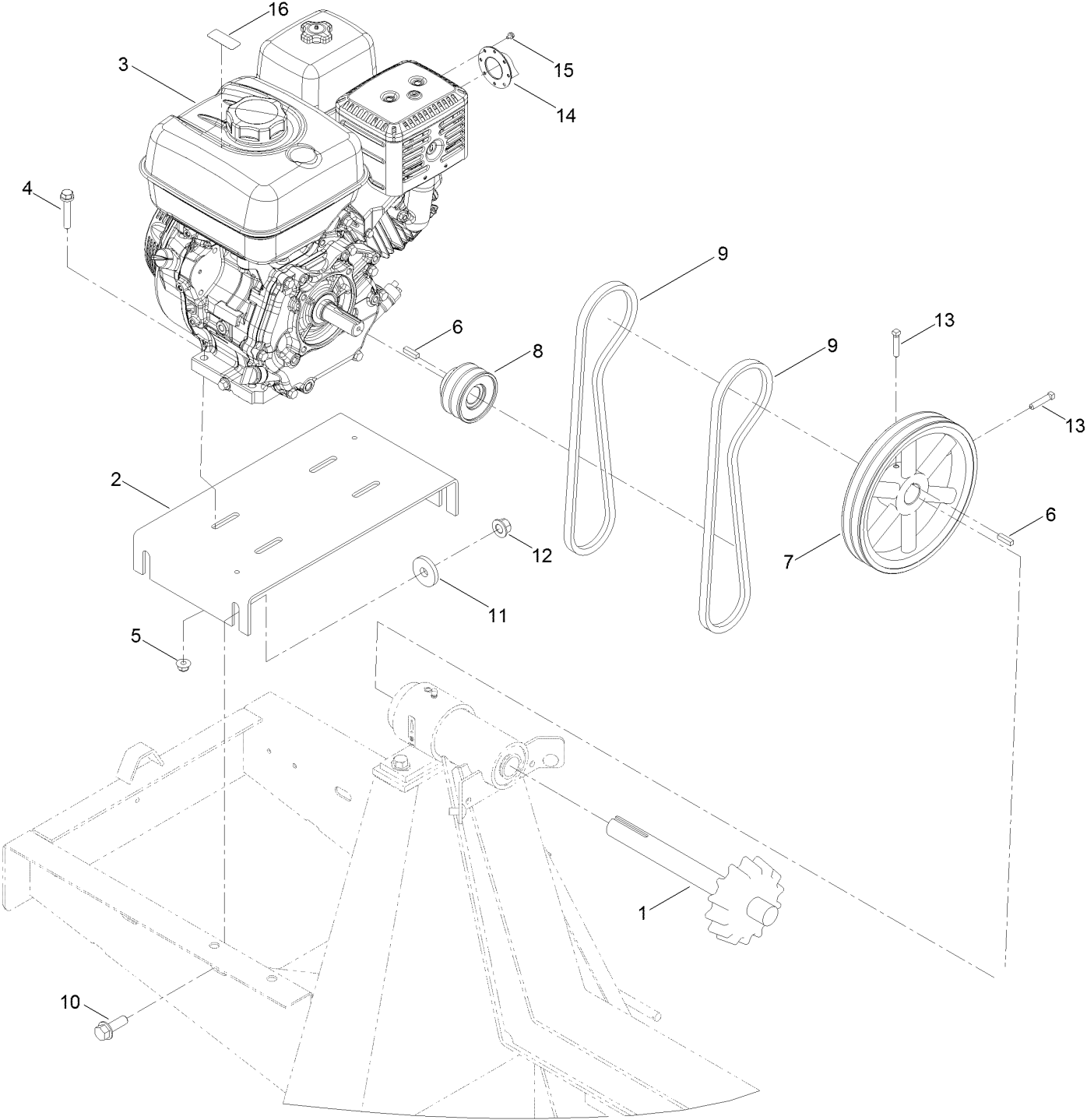


Hub Assembly No. 125-8171 (continued)

<i>Ref.</i>	<i>Part Number</i>	<i>Qty.</i>	<i>Description</i>
2	ST39190	4	Stud-Wheel
3	ST32233	2	Bearing-Roller
4	ST80045	4	Nut-Lug

<i>Ref.</i>	<i>Part Number</i>	<i>Qty.</i>	<i>Description</i>
5	ST34573	1	Cap-Dust
6	ST32052	1	Seal-Hub, Wheel

Engine and Belt Assembly

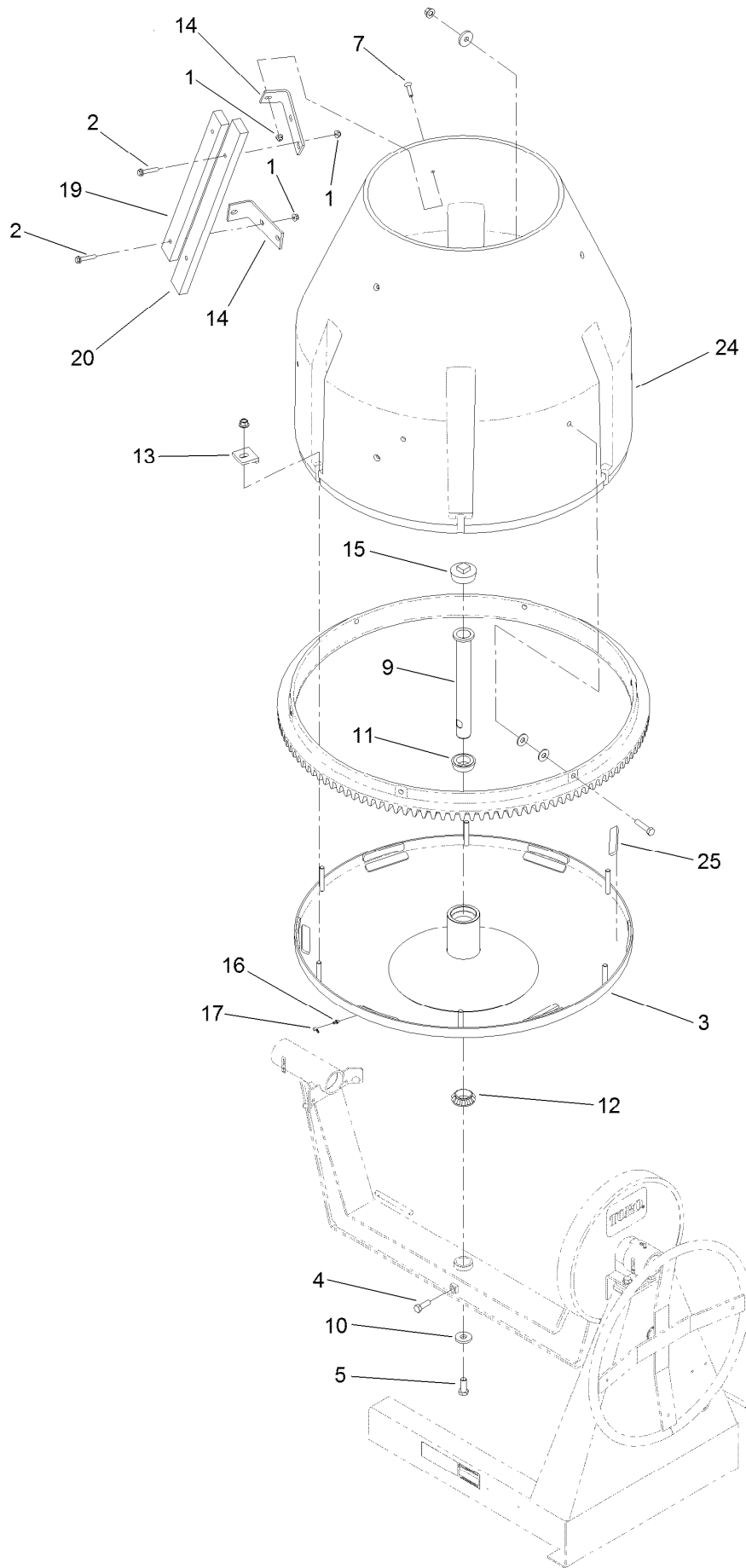


Engine and Belt Assembly (continued)

<i>Ref.</i>	<i>Part Number</i>	<i>Qty.</i>	<i>Description</i>	<i>Ref.</i>	<i>Part Number</i>	<i>Qty.</i>	<i>Description</i>
1	ST21487	1	Shaft-Drive	9	127-0075	2	Belt-V
2	127-7579-03	1	Base-Engine, 95Cm	10	100-6116	4	Screw-HHF
3	125-4812	1	Engine-Honda, Gx240 ●	11	ST26326	4	Washer-Flat
4	108-3742	4	Screw-HHF	12	99-5107	4	Nut-Lock
5	104-8301	4	Nut-HF, NI	13	909546	2	Screw-Set
6	5-7280	2	Key	14	120-1886	1	Deflector-Exhaust, Honda
7	ST34986-03	1	Sheave	15	127-7578	3	Screw-HWH
8	ST34984	1	Sheave	16	130-8322	1	Decal-Warning, Ethanol

● Obtain parts from www.honda-engines.com

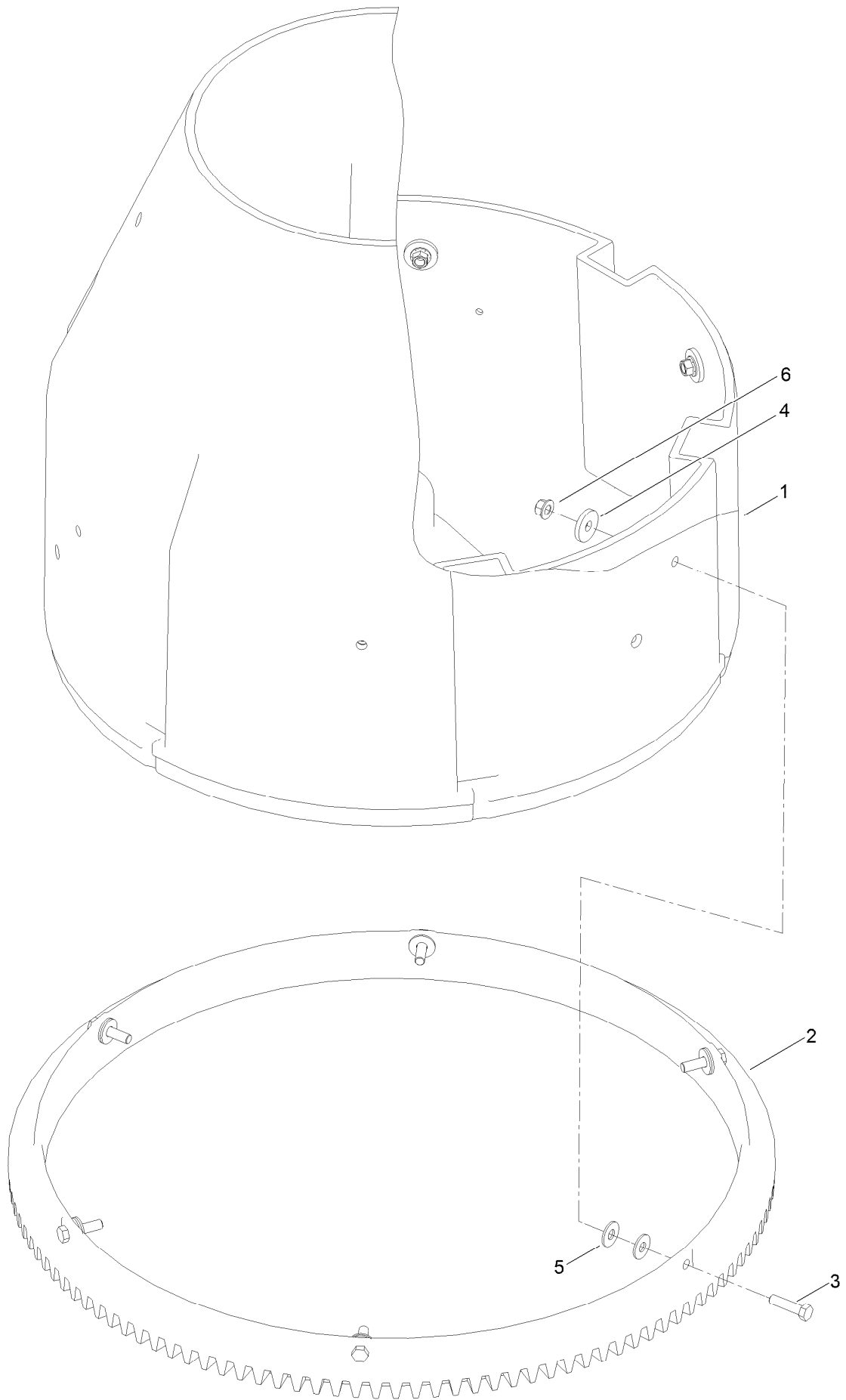
Drum Assembly



Drum Assembly (continued)

<i>Ref.</i>	<i>Part Number</i>	<i>Qty.</i>	<i>Description</i>	<i>Ref.</i>	<i>Part Number</i>	<i>Qty.</i>	<i>Description</i>
1	104-8301	18	Nut-HF, NI	13	ST42781-01	6	Clamp-Drum
2	108-3742	12	Screw-HHF	14	ST42810-01	6	Bracket-Paddle
3	125-8170-01	1	Dish	15	ST46022	1	Plug
4	325-6	1	Screw-HH	16	ST46057	1	Fitting
5	327-4	1	Screw-HH	17	ST47001	1	Cap-Plug
7	3289-17	6	Screw-FH, Hex Socket	19	ST47341	3	Paddle
9	ST27267	1	Spindle	20	ST47342	3	Paddle
10	ST27413	1	Washer-Flat	24	ST47332	1	Drum ASM
11	ST32086	1	Bearing	25	132-3978	12	Pad-Rubber
12	ST32161	1	Bearing-Roller				

Drum Assembly No. ST47332

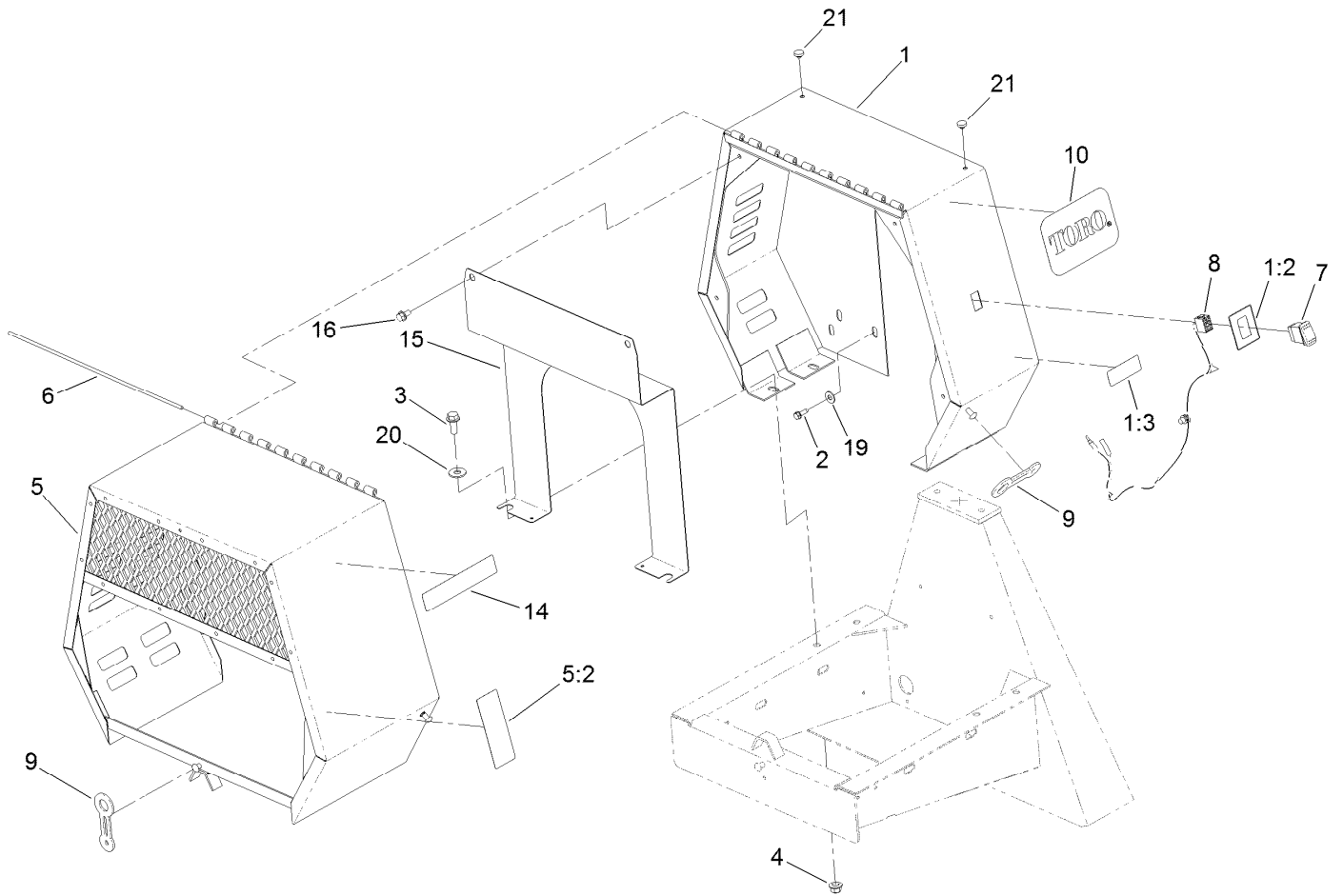


Drum Assembly No. ST47332 (continued)

<i>Ref.</i>	<i>Part Number</i>	<i>Qty.</i>	<i>Description</i>
1	131-2908	1	Drum
2	ST26317-01	1	Gear-Ring
3	325-8	6	Screw-HH

<i>Ref.</i>	<i>Part Number</i>	<i>Qty.</i>	<i>Description</i>
4	ST26326	6	Washer-Flat
5	3256-6	12	Washer-Flat
6	99-5107	6	Nut-Lock

Cowl Assembly



Cowl Assembly (continued)

<i>Ref.</i>	<i>Part Number</i>	<i>Qty.</i>	<i>Description</i>	<i>Ref.</i>	<i>Part Number</i>	<i>Qty.</i>	<i>Description</i>
1	127-2811	1	Stationary Cowl ASM	8	125-4877	1	Harness-Wire, Mixer
1:2	125-4940	1	Decal-Stop, Engine	9	ST47182	3	Latch-Rubber
1:3	133-5619	1	Decal-Arrester, Spark	10	67-7320	2	Decal
2	701243	2	Screw-Thd Roll, HWH	14	125-4937	2	Decal
3	3234-38	4	Screw-HHF	15	125-8218-03	1	Plate-Engine
4	99-5107	4	Nut-Lock	16	110-9380	2	Screw-HWH
5	127-1685	1	Movable Cowl ASM	19	3256-4	2	Washer-Flat
5:2	125-4939	1	Decal-Warning	20	3256-6	2	Washer-Flat
6	ST44368	1	Pin	21	1-513658	2	Bumper
7	95-8999	1	Switch				

Attachments and Accessories

For 68008 CM-958H-PED Concrete Mixer

Product Name

Model/Part

Trailer Light Kit..... 68063

Notes:



Count on it.