



Count on it.

Parts Catalog

MM-12511H-S

Mortar Mixer

Model No. 68024—Serial No. 402100000 and Up



Ordering Replacement Parts

To order replacement parts, please supply the part number, the quantity, and the description of each part desired.

Understanding Reference Numbers

Each identified part in an illustration has a reference number. The reference number for a part also appears in the parts list, along with other information about the part.

This catalog uses two special reference number formats, one to indicate parts in a service assembly and another to indicate the quantity of a given part in an illustration.

Service Assembly Reference Numbers

Parts in service assemblies have reference numbers in the form a:b. The a represents the reference number of the entire service assembly and the b represents a sequential number unique to each part within the service assembly.

For example, a wheel assembly might be identified by reference number 6, the tire by 6:1, the valve by 6:2, and the wheel by 6:3. When you order the assembly identified by reference number 6, you receive all parts identified by reference numbers 6:1, 6:2, and 6:3. However, you may also order any part individually. Reference numbers of this type appear in illustration and in parts lists.

Reference Numbers Indicating Quantity

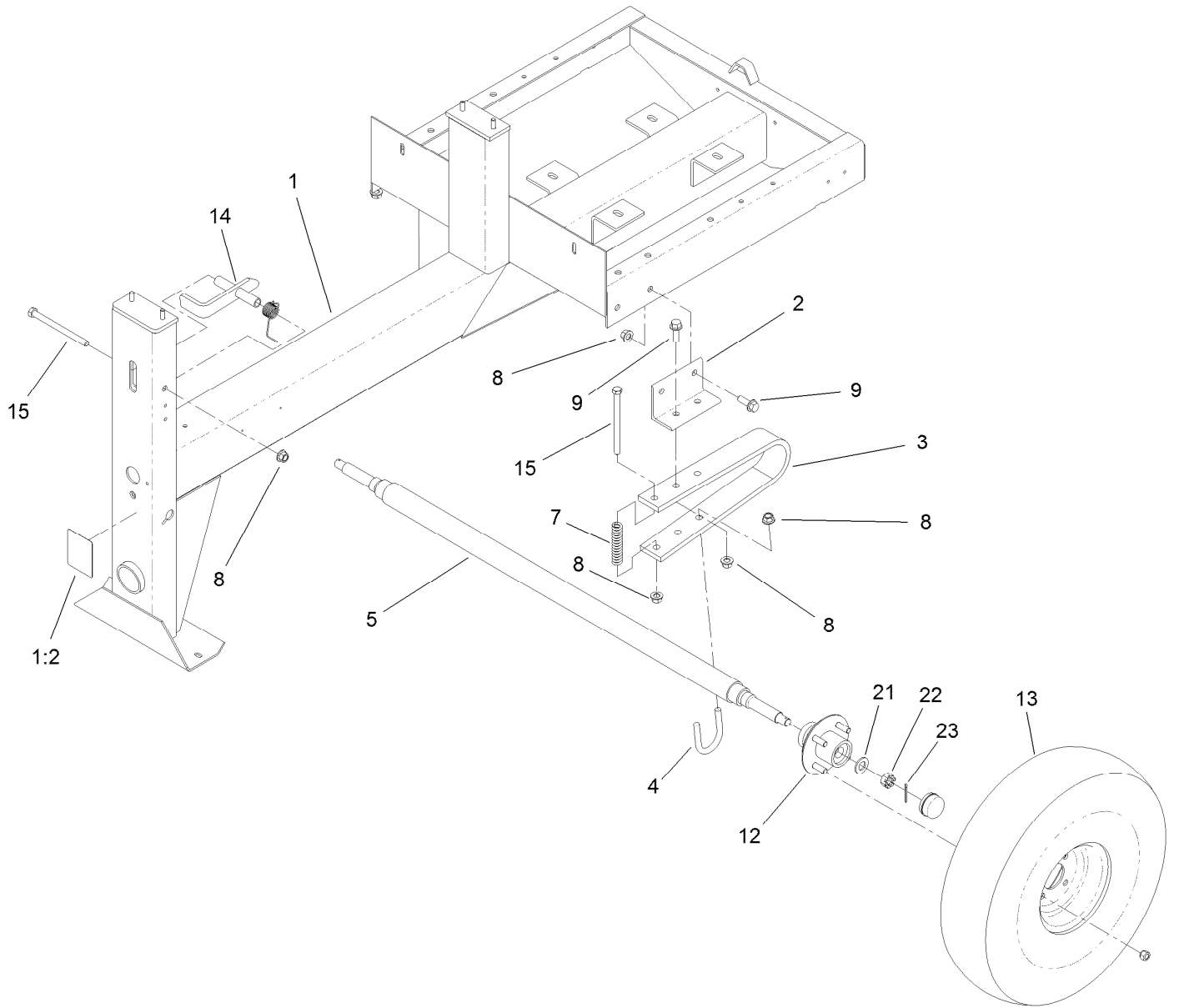
In an illustration, if a reference number indicates more than one part, the reference number has the form nX y. The n represents the quantity of the part, the X is the multiplication symbol, and the y represents the reference number.

For example, in an illustration, the reference number 2X 37 means that two of the parts identified by reference number 37 are indicated.

Contents

Frame and Axle Assembly	4
Hub Assembly No. 125-8171	6
Drum Assembly	8
Engine and Gearcase Assembly	10
Gearcase Assembly No. ST22075-03	12
Cowl Assembly	14
Attachments and Accessories	16

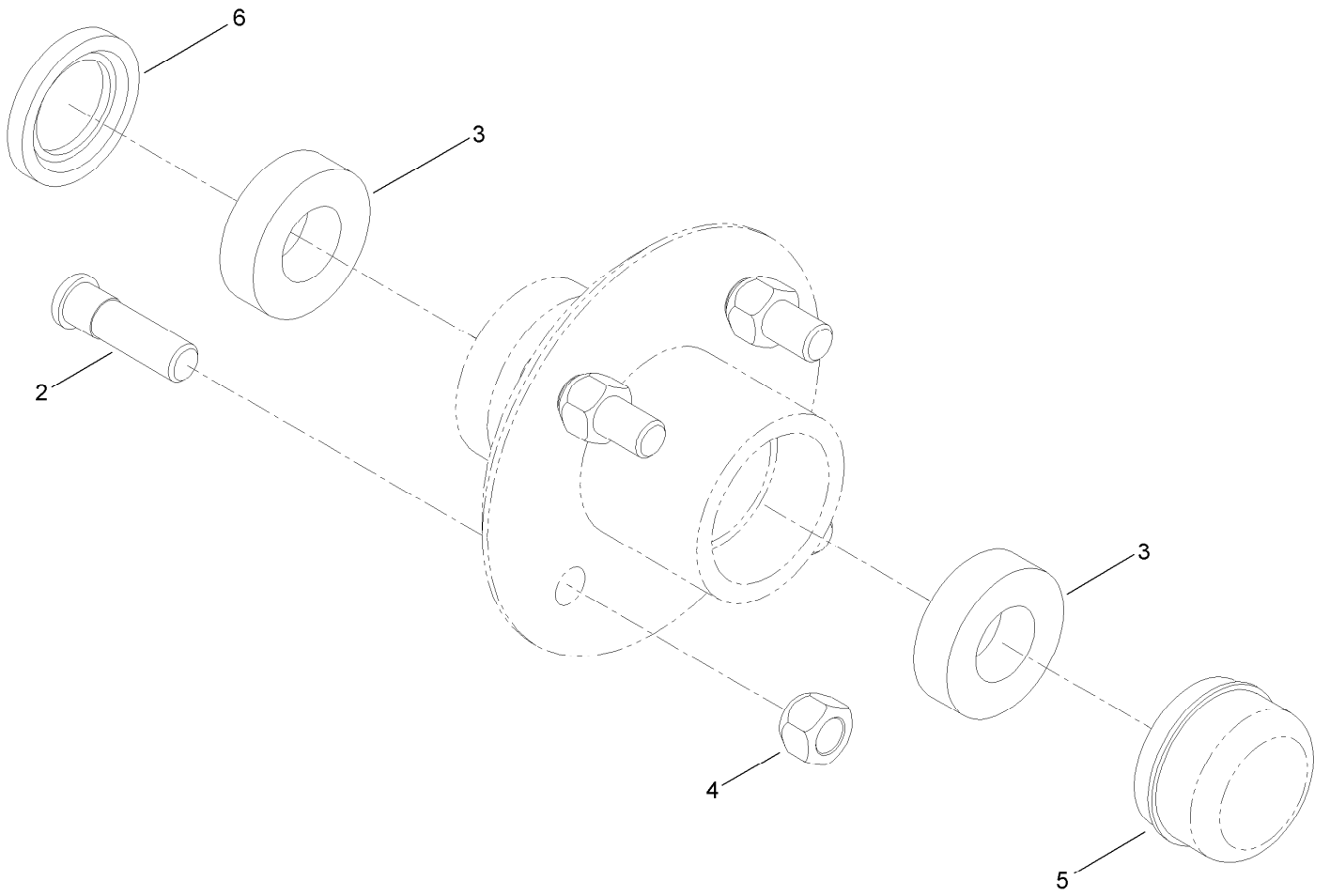
Frame and Axle Assembly



Frame and Axle Assembly (continued)

<i>Ref.</i>	<i>Part Number</i>	<i>Qty.</i>	<i>Description</i>	<i>Ref.</i>	<i>Part Number</i>	<i>Qty.</i>	<i>Description</i>
1	127-1682	1	Frame ASM	9	100-6116	8	Screw-HHF
1:2	125-8216	1	Decal-Safety Chain, Towing	12	125-8171	2	Hub ASM
2	ST26949-03	2	Bracket-Axle, Spring	13	ST32307	2	Tire And Rim ASM
3	ST26971	2	Spring-Leaf	14	132-7154-03	1	Latch-Drum
4	ST26195	2	Bolt-U	15	325-33	3	Screw-HH
5	ST21460-03	1	Axle-Spring	21	3256-28	2	Washer-Flat
7	ST34972	2	Spring-Coil	22	ST80054	2	Nut
8	99-5107	15	Nut-Lock	23	3272-13	2	Pin-Cotter

Hub Assembly No. 125-8171

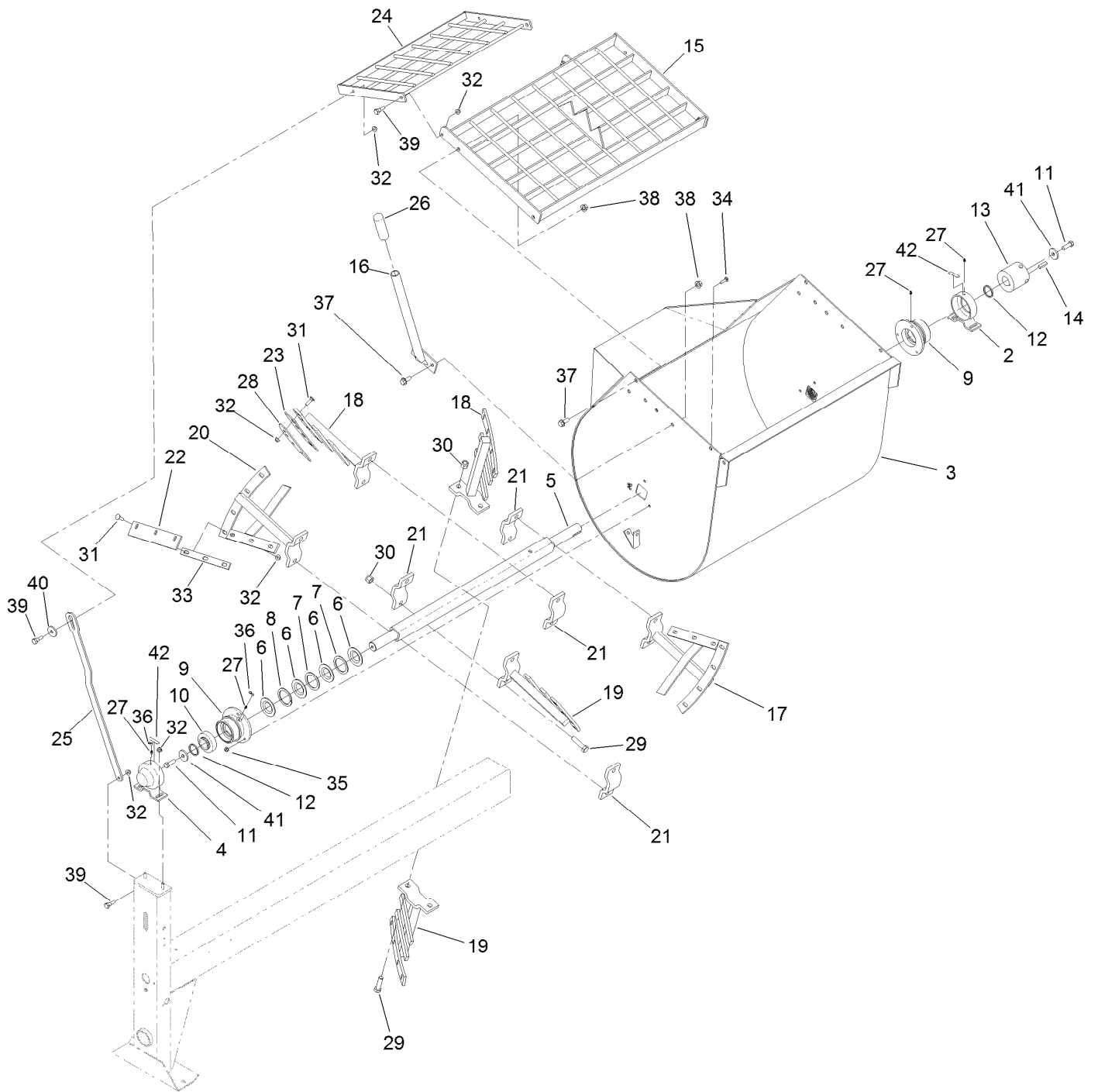


Hub Assembly No. 125-8171 (continued)

<i>Ref.</i>	<i>Part Number</i>	<i>Qty.</i>	<i>Description</i>
2	ST39190	4	Stud-Wheel
3	ST32233	2	Bearing-Roller
4	ST80045	4	Nut-Lug

<i>Ref.</i>	<i>Part Number</i>	<i>Qty.</i>	<i>Description</i>
5	ST34573	1	Cap-Dust
6	ST32052	1	Seal-Hub, Wheel

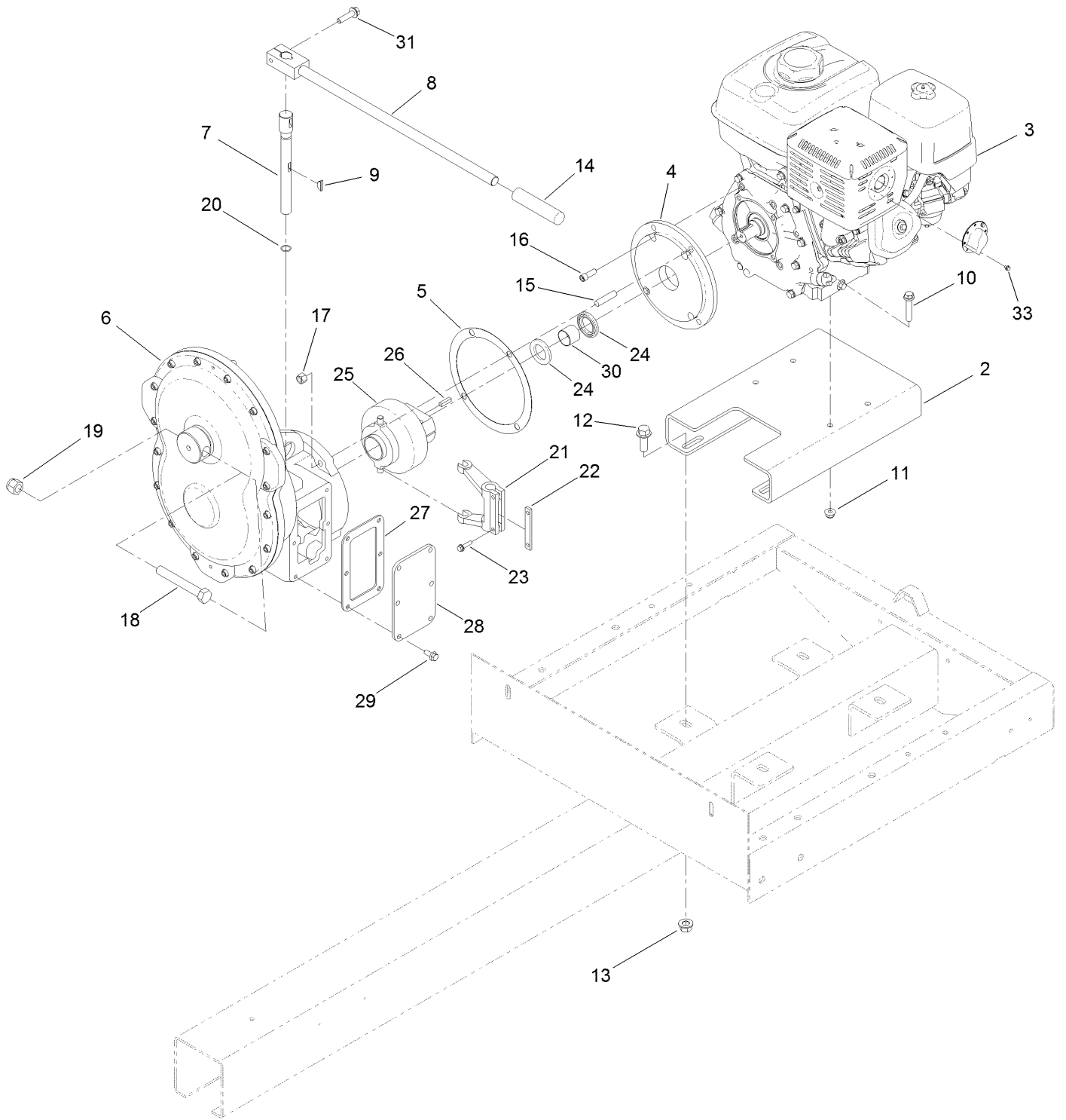
Drum Assembly



Drum Assembly (continued)

<i>Ref.</i>	<i>Part Number</i>	<i>Qty.</i>	<i>Description</i>	<i>Ref.</i>	<i>Part Number</i>	<i>Qty.</i>	<i>Description</i>
2	ST24021-01	1	Trunnion	23	132-4142	6	Blade-Rubber, Long
3	ST37575-01	1	Drum	24	125-6273-01	1	Guard-Moveable
4	ST36574-01	1	Trunnion-Capped	25	125-8154-03	1	Bar-Guard Lift
5	ST22215-01	1	Shaft-Drum	26	ST47023	1	Grip-Hand
6	ST32324	8	Seal-Drum	27	ST46042	4	Fitting-Grease
7	ST24017	4	Washer-Flat	28	ST28137-01	6	Bar-Long, Backer
8	ST25881	2	Washer-Split	29	327-7	10	Screw-HH
9	ST32326-01	2	Housing-Bearing	30	3296-53	10	Nut-Lock, NI
10	ST32003	2	Bearing-Ball	31	3231-25	30	Bolt-CARR
11	325-6	2	Screw-HH	32	104-8301	38	Nut-HF, NI
12	ST44284	2	Spacer-Shaft, Drum	33	ST24103-01	2	Bar-Backer, Short
13	ST28087-03	1	Coupling-Shaft	34	3230-3	6	Screw-CARR
14	ST81060	1	Key-Square	35	104-8300	6	Nut-HF, NI
15	125-6278-01	1	Guard	36	ST47001	4	Cap-Plug
16	ST24763-01	1	Handle-Dump	37	3234-38	6	Screw-HHF
17	ST22090-01	1	Paddle	38	99-5107	6	Nut-Lock
18	ST22091-01	2	Paddle	39	80-1300	4	Bolt-Shoulder
19	ST22092-01	2	Paddle	40	106-2008	1	Washer-Thrust
20	ST22093-01	1	Paddle	41	ST26326	2	Washer-Flat
21	ST26882-01	4	Clamp-Paddle	42	125-8175	2	Decal-Grease
22	132-4144	2	Blade-Rubber, Short				

Engine and Gearcase Assembly

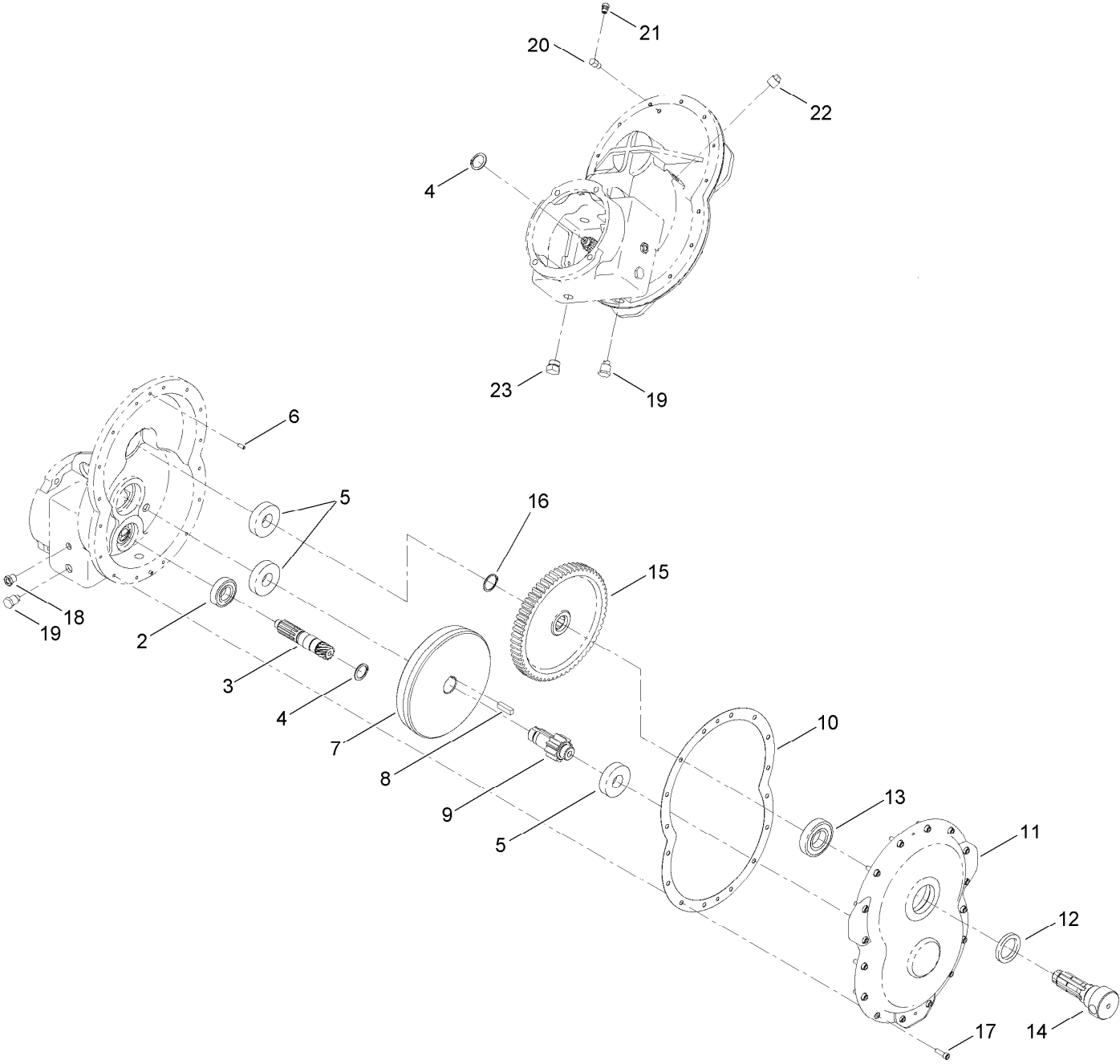


Engine and Gearcase Assembly (continued)

<i>Ref.</i>	<i>Part Number</i>	<i>Qty.</i>	<i>Description</i>	<i>Ref.</i>	<i>Part Number</i>	<i>Qty.</i>	<i>Description</i>
2	ST28399-03	1	Base-Motor	18	327-23	1	Screw-HH
3	125-4993	1	Engine-Honda, Gx340 ●	19	3296-53	1	Nut-Lock, NI
4	ST28398	1	Adaptor-Engine	20	ST47180	1	O-Ring
5	ST27010	1	Gasket-Adapter, Engine	21	ST28093	1	Fork-Clutch
6	ST22075-03	1	Gearcase ASM	22	ST28181	1	Spacer-Fork, Clutch
7	ST28094	1	Shaft-Clutch	23	120-4654	2	Screw-HHF
8	ST22099-03	1	Handle-Clutch	24	ST32179	2	Seal-Shaft
9	1-807014	2	Key-Woodruff	25	ST30401	1	Clutch-Disconnect, Slip
10	108-3742	4	Screw-HHF	26	5-7280	1	Key
11	104-8301	4	Nut-HF, NI	27	ST32253	1	Gasket-Access, Clutch
12	100-6116	4	Screw-HHF	28	ST42461-03	1	Cover-Access, Clutch
13	99-5107	4	Nut-Lock	29	3234-47	6	Screw-HHF
14	ST34765	1	Grip-Flex	30	ST28844	1	Bushing-Shaft
15	ST41039	4	Stud	31	114-4681	1	Screw-HHF
16	ST29469	4	Screw-HSH	33	127-7578	3	Screw-HWH
17	3296-48	4	Nut-Lock, NI				

● Obtain parts from www.honda-engines.com

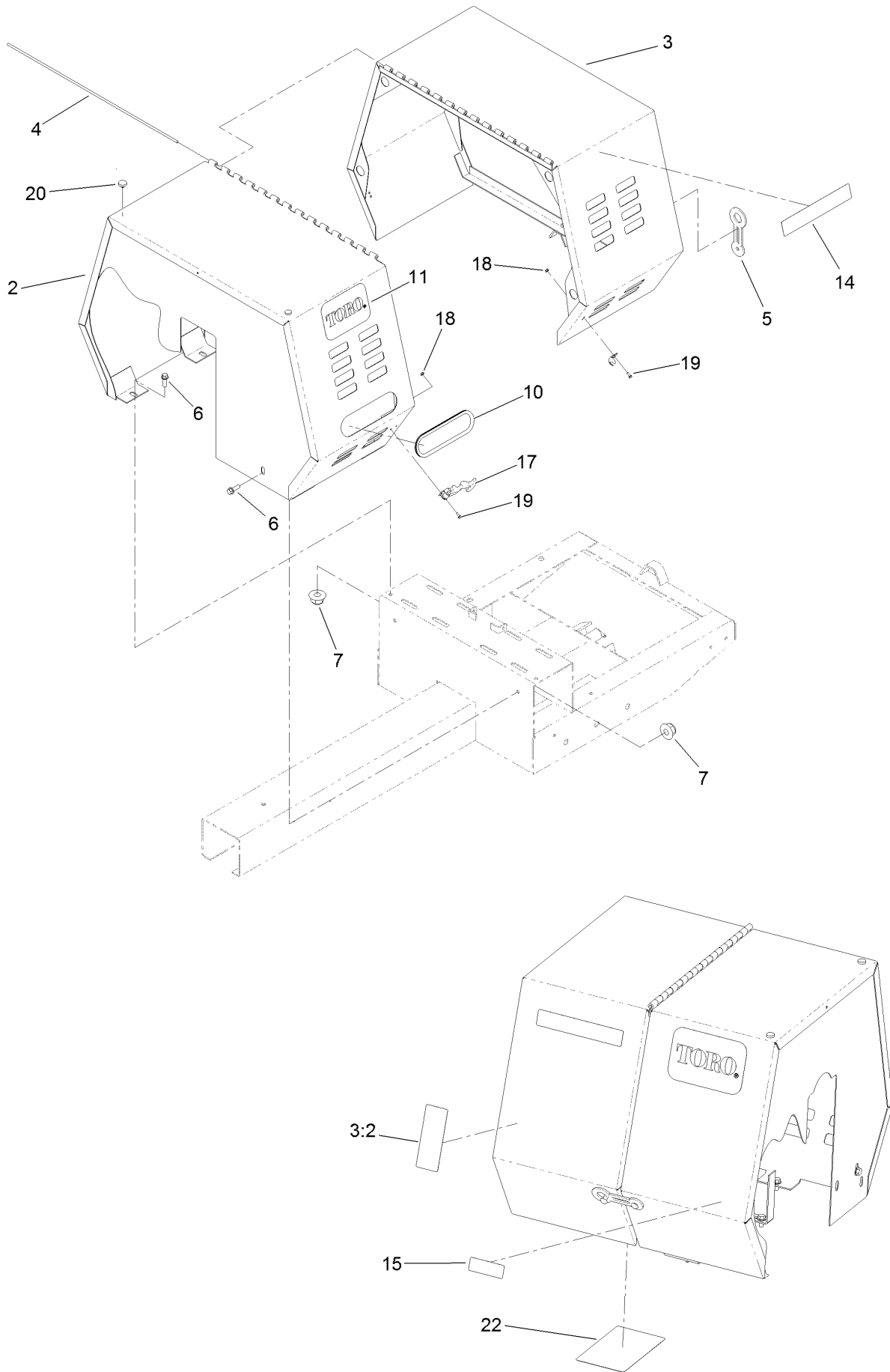
Gearcase Assembly No. ST22075-03



Gearcase Assembly No. ST22075-03 (continued)

<i>Ref.</i>	<i>Part Number</i>	<i>Qty.</i>	<i>Description</i>	<i>Ref.</i>	<i>Part Number</i>	<i>Qty.</i>	<i>Description</i>
2	ST32213	1	Bearing-Ball	13	ST32177	1	Bearing-Ball
3	ST28095	1	Shaft-Input, Pinion	14	ST28092	1	Shaft-Output, Gearcase
4	ST80098	2	Ring-External	15	ST28098	1	Gear-Spur
5	ST32101	3	Bearing-Roller	16	32120-84	1	Ring-Snap, External
6	75-6480	2	Pin	17	3274-22	16	Screw-HSH
7	ST28096	1	Gear-Helical	18	ST34096	1	Plug-Sight, Oil
8	ST81060	1	Key-Square	19	ST46108	2	Plug-HH, Magnetic
9	ST28097	1	Pinion	20	ST46062	1	Elbow-Connection
10	ST28088	1	Gasket-Gearcase	21	ST46064	1	Breather-Alemite
11	ST28085	1	Cover-Gearcase	22	ST46107	1	Plug
12	ST35295	1	Seal-Shaft	23	ST44332	1	Plug

Cowl Assembly



Cowl Assembly (continued)

<i>Ref.</i>	<i>Part Number</i>	<i>Qty.</i>	<i>Description</i>	<i>Ref.</i>	<i>Part Number</i>	<i>Qty.</i>	<i>Description</i>
2	127-1684	1	Stationary Cowl ASM	11	67-7320	2	Decal
3	127-1686	1	Movable Cowl ASM	14	125-4953	2	Decal
3:2	125-4939	1	Decal-Warning	15	133-5619	1	Decal-Arrester, Spark
4	ST44372	1	Pin	17	ST35289	2	Latch-Flex, Draw
5	ST47182	1	Latch-Rubber	18	3296-12	8	Nut-Lock, NI
6	3234-24	6	Screw-HHF	19	3290-321	8	Screw-HWH
7	104-8301	6	Nut-HF, NI	20	1-513658	2	Bumper
10	ST47294	1	Trim-Lid	22	132-3997	1	Decal-Service

Attachments and Accessories

For 68024 MM-12511H-S Mortar Mixer

Product Name	Model/Part
50in Forged Tow Pole Hitch	68057
50in Pintel Tow Pole Hitch	68059
50in Stamped Tow Pole Hitch	68061
Trailer Light Kit.....	68062

Notes:

Notes:

Notes:



Count on it.