



Count on it.

Parts Catalog

**SGR-6
Stump Grinder**

Model No. 22600—Serial No. 402000000 and Up



Ordering Replacement Parts

To order replacement parts, please supply the part number, the quantity, and the description of each part desired.

Understanding Reference Numbers

Each identified part in an illustration has a reference number. The reference number for a part also appears in the parts list, along with other information about the part.

This catalog uses two special reference number formats, one to indicate parts in a service assembly and another to indicate the quantity of a given part in an illustration.

Service Assembly Reference Numbers

Parts in service assemblies have reference numbers in the form a:b. The a represents the reference number of the entire service assembly and the b represents a sequential number unique to each part within the service assembly.

For example, a wheel assembly might be identified by reference number 6, the tire by 6:1, the valve by 6:2, and the wheel by 6:3. When you order the assembly identified by reference number 6, you receive all parts identified by reference numbers 6:1, 6:2, and 6:3. However, you may also order any part individually. Reference numbers of this type appear in illustration and in parts lists.

Reference Numbers Indicating Quantity

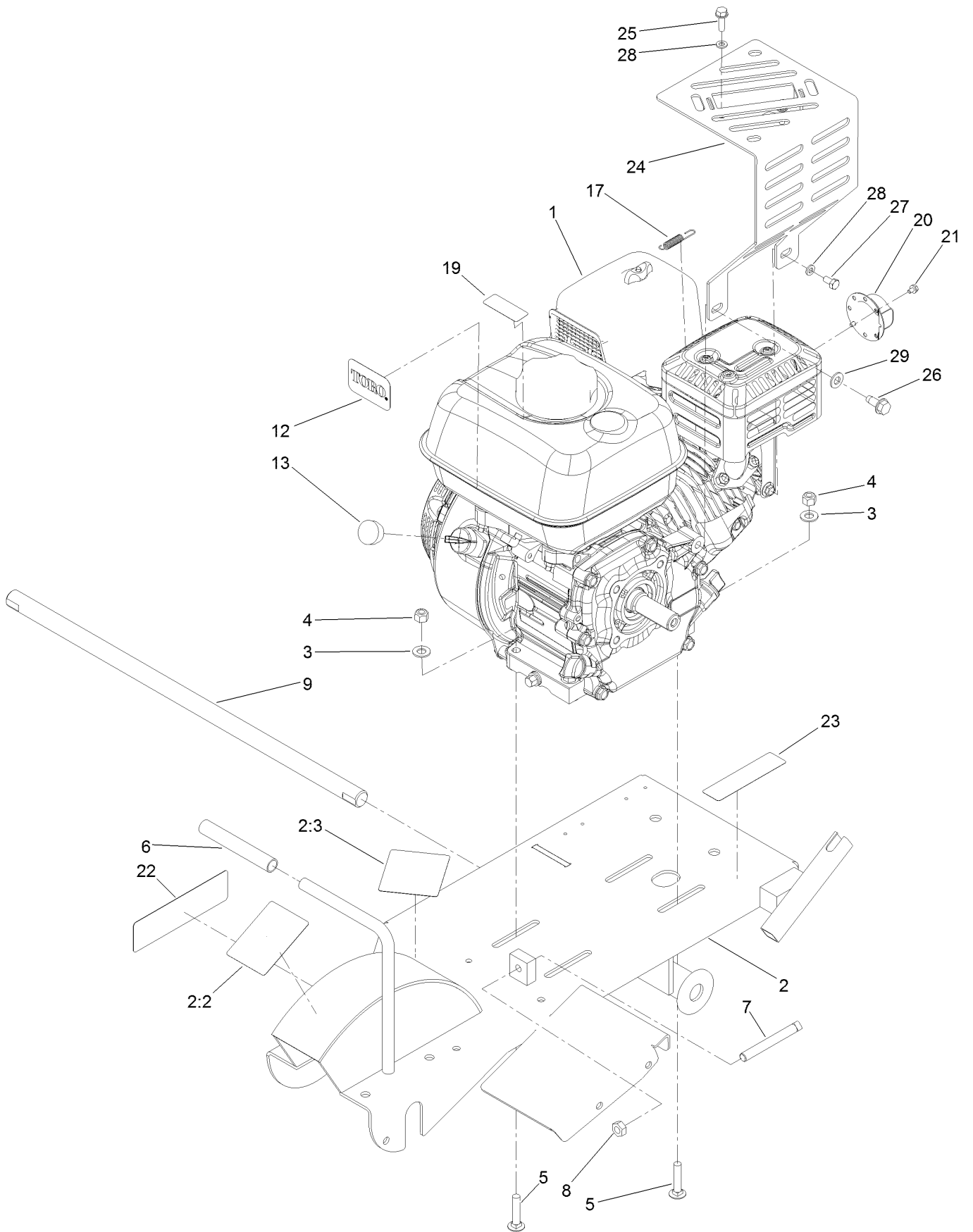
In an illustration, if a reference number indicates more than one part, the reference number has the form nX y. The n represents the quantity of the part, the X is the multiplication symbol, and the y represents the reference number.

For example, in an illustration, the reference number 2X 37 means that two of the parts identified by reference number 37 are indicated.

Contents

Engine and Frame Assembly	4
Handle Assembly	6
3-Tooth Grinder Wheel Assembly	8
Brake and Wheel Assembly	10
Flap Assembly	12
Belt Drive Assembly	14
Attachments and Accessories	16

Engine and Frame Assembly



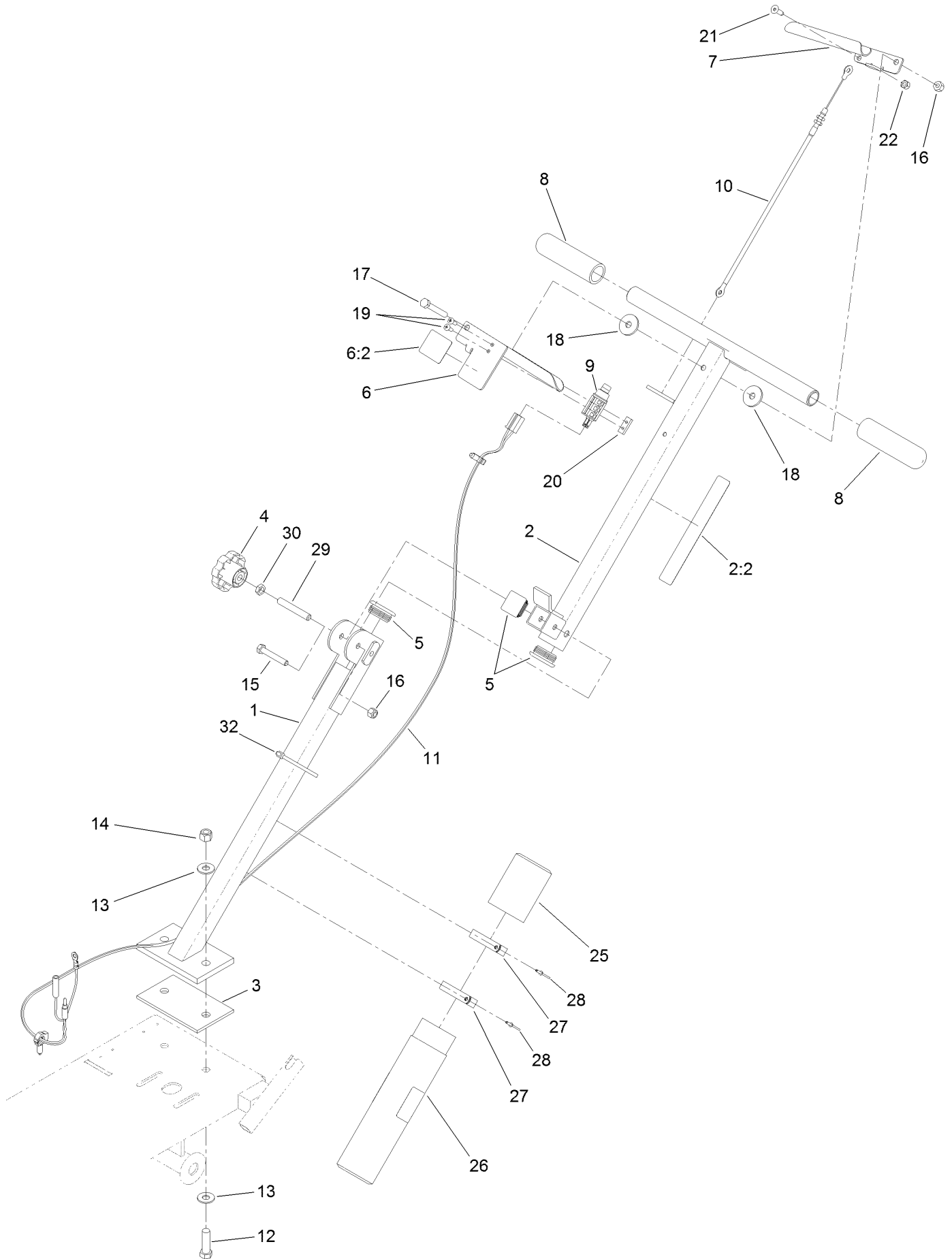
Engine and Frame Assembly (continued)

<i>Ref.</i>	<i>Part Number</i>	<i>Qty.</i>	<i>Description</i>	<i>Ref.</i>	<i>Part Number</i>	<i>Qty.</i>	<i>Description</i>
1		1	Engine- Honda, Gx200 ●■	17	119-4609	1	Spring-Extension
2	132-3965	1	Frame ASM	19	130-8322	1	Decal-Warning, Ethanol
2:2	119-4693	1	Decal-Caution	20	125-3866	1	Deflector
2:3	119-4690	1	Decal-Danger	21	127-7578	1	Screw-HWH
3	3256-45	4	Washer-Flat	22	132-4004	1	Decal-Rotate Tooth
4	3296-29	4	Nut-Lock, NI	23	133-8056	1	Decal-Arrester, Spark
5	3230-4	4	Bolt-CARR	24	137-4867-03	1	Guard-Muffler
6	112-2605	1	Grip-Rubber	25	110-3986	2	Screw
7	119-4729	1	Screw-Set, SQH	26	32144-70	1	Screw-HWHTF
8	3217-7	1	Nut-Hex	27	33113-012	1	Screw-HH
9	120-1795	1	Bar-Axle, Wheel	28	33093-00	3	Washer-Flat
12	98-3206	1	Decal	29	3256-23	1	Washer-Plain
13	120-1887	1	Plug-Engine				

● Not serviced separately

■ Obtain parts from www.honda-engines.com

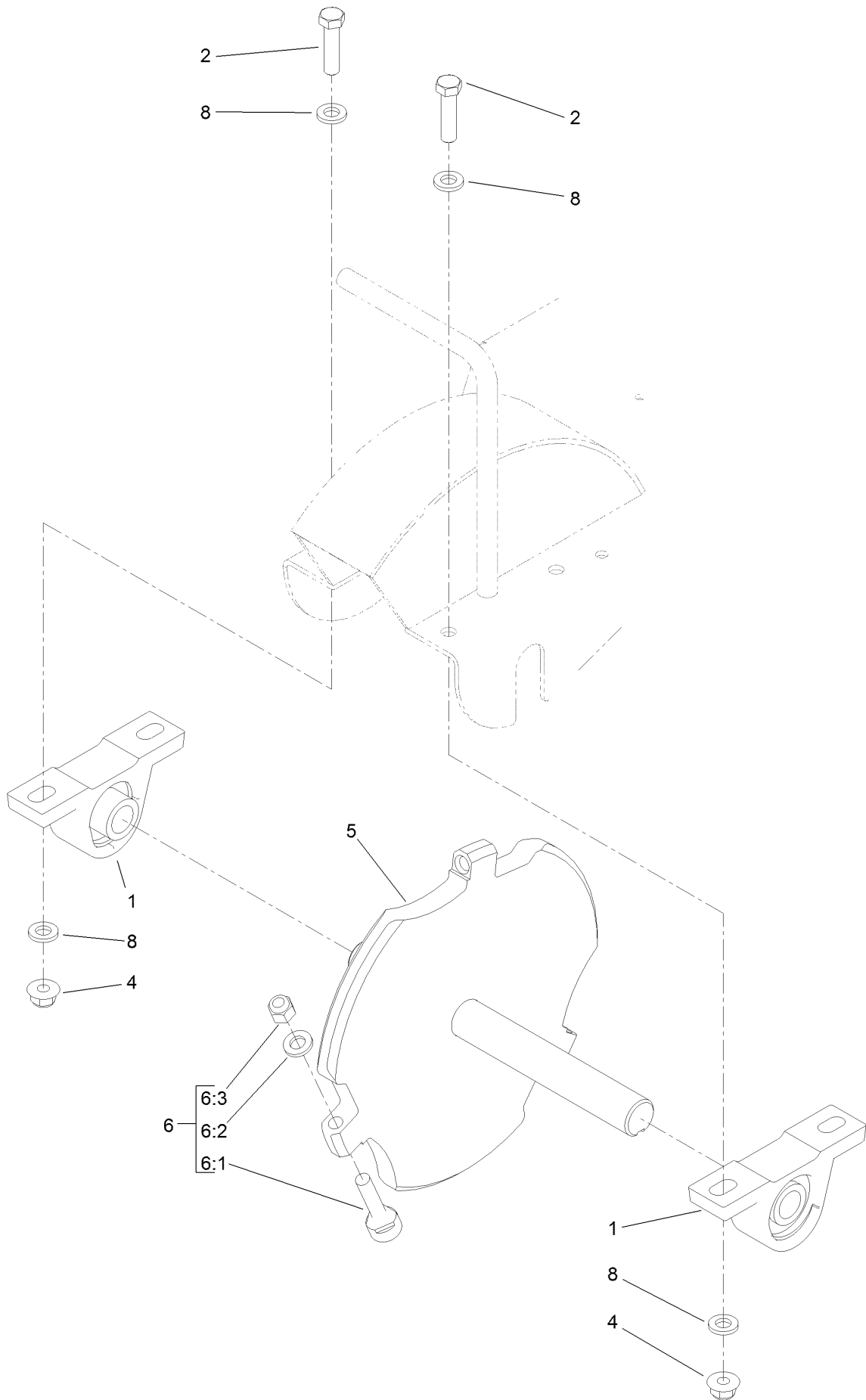
Handle Assembly



Handle Assembly (continued)

<i>Ref.</i>	<i>Part Number</i>	<i>Qty.</i>	<i>Description</i>	<i>Ref.</i>	<i>Part Number</i>	<i>Qty.</i>	<i>Description</i>
1	120-1323-01	1	Handle-Lower	14	3296-48	2	Nut-Lock, NI
2	121-4394	1	Handle ASM	15	322-10	1	Screw-HH
2:2	119-4691	1	Decal-Caution	16	3296-29	2	Nut-Lock, NI
3	120-1324	1	Gasket-Handle	17	322-11	1	Screw-HH
4	109-1092	1	Knob	18	107675	2	Washer
5	120-1302	3	Plug-Tube	19	1-803071	2	Screw
6	132-4121	1	Plunger Handle ASM	20	1-633181	1	Plate-Tapped
6:2	119-4722	1	Decal-Engage	21	116-0606	1	Screw-Torx
7	120-1359-03	1	Handle-Throttle	22	3296-42	1	Nut-Lock, NI
8	120-1333	2	Grip-Handle	25	104-7048	1	Cap-Housing
9	120-1292	1	Switch-Plunger, NC (W/Cover)	26	104-7050	1	Tube-Manual
10	120-1375	1	Cable-Throttle	27	2412-120	2	Clamp-R
11	120-1369	1	Harness-Wire	28	3269-17	2	Rivet-Pop
12	324-6	2	Screw-HH	29	120-0909	1	Screw-HSH
13	3256-4	4	Washer-Flat	30	3218-3	1	Nut-Jam
				32	3290-379	2	Tie-Cable

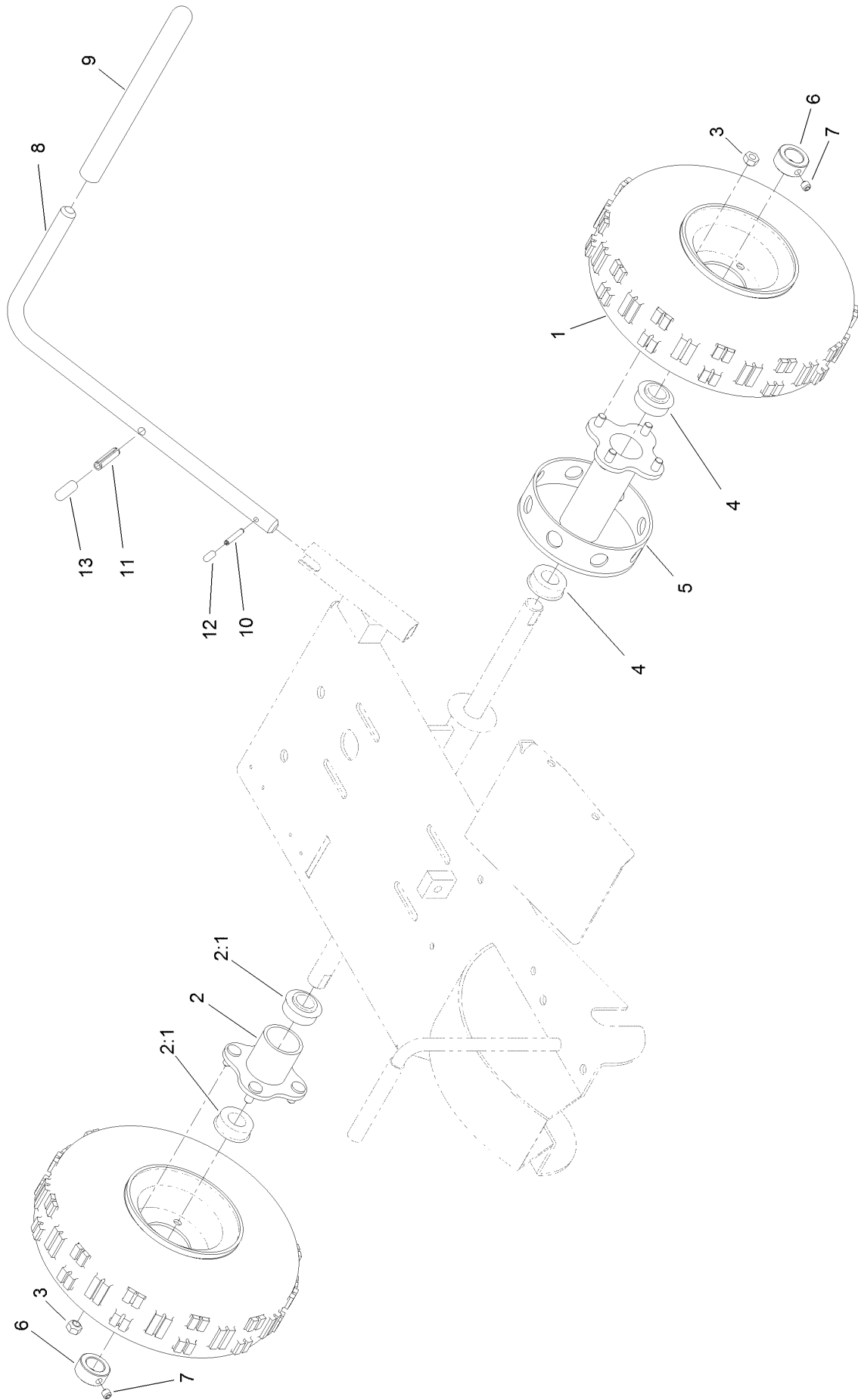
3-Tooth Grinder Wheel Assembly



3-Tooth Grinder Wheel Assembly (continued)

<i>Ref.</i>	<i>Part Number</i>	<i>Qty.</i>	<i>Description</i>	<i>Ref.</i>	<i>Part Number</i>	<i>Qty.</i>	<i>Description</i>
1	120-1373	2	Bearing	6	132-4008	1	Grinder Tooth Kit (6-Pack)
2	3211-41	4	Screw-HH	6:1	130-2224	1	Tooth-Grinder
4	127-6852	4	Nut-Flange, Lock	6:2	107-1413	1	Washer-Hardened
5	137-7685	1	Wheel-Grinder	6:3	112-0236	1	Nut-Lock
6	132-4006	3	Grinder Tooth Kit (Single)	8	100-4852	8	Washer-Hardened
6	132-4007	1	Grinder Tooth Kit (3-Pack)				

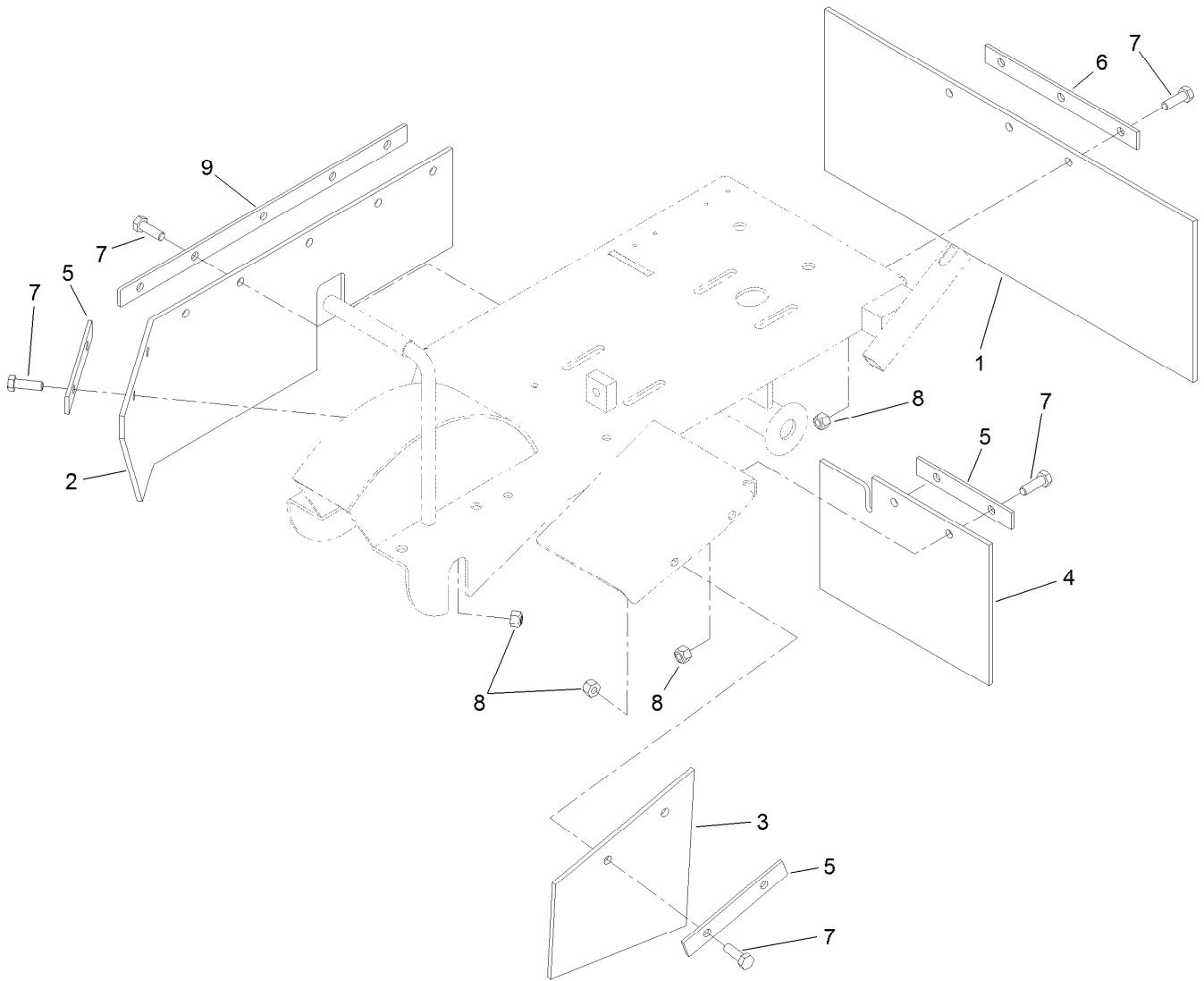
Brake and Wheel Assembly



Brake and Wheel Assembly (continued)

<i>Ref.</i>	<i>Part Number</i>	<i>Qty.</i>	<i>Description</i>	<i>Ref.</i>	<i>Part Number</i>	<i>Qty.</i>	<i>Description</i>
1	120-1288	2	Wheel And Tire ASM	7	3246-2	2	Screw-Set, HSH
2	120-1295	1	Hub	8	120-1309-01	1	Handle-Brake
2:1	120-1296	2	Bearing-Wheel	9	119-0222	1	Grip
3	120-1304	8	Nut-Wheel	10	32121-6	1	Pin-Roll, Slotted
4	120-1296	2	Bearing-Wheel	11	32121-25	1	Pin-Roll
5	120-1325-03	1	Hub-Brake	12	119-4741	1	Cap-Lower
6	120-1294	2	Collar-Set	13	119-4742	1	Cap-Upper

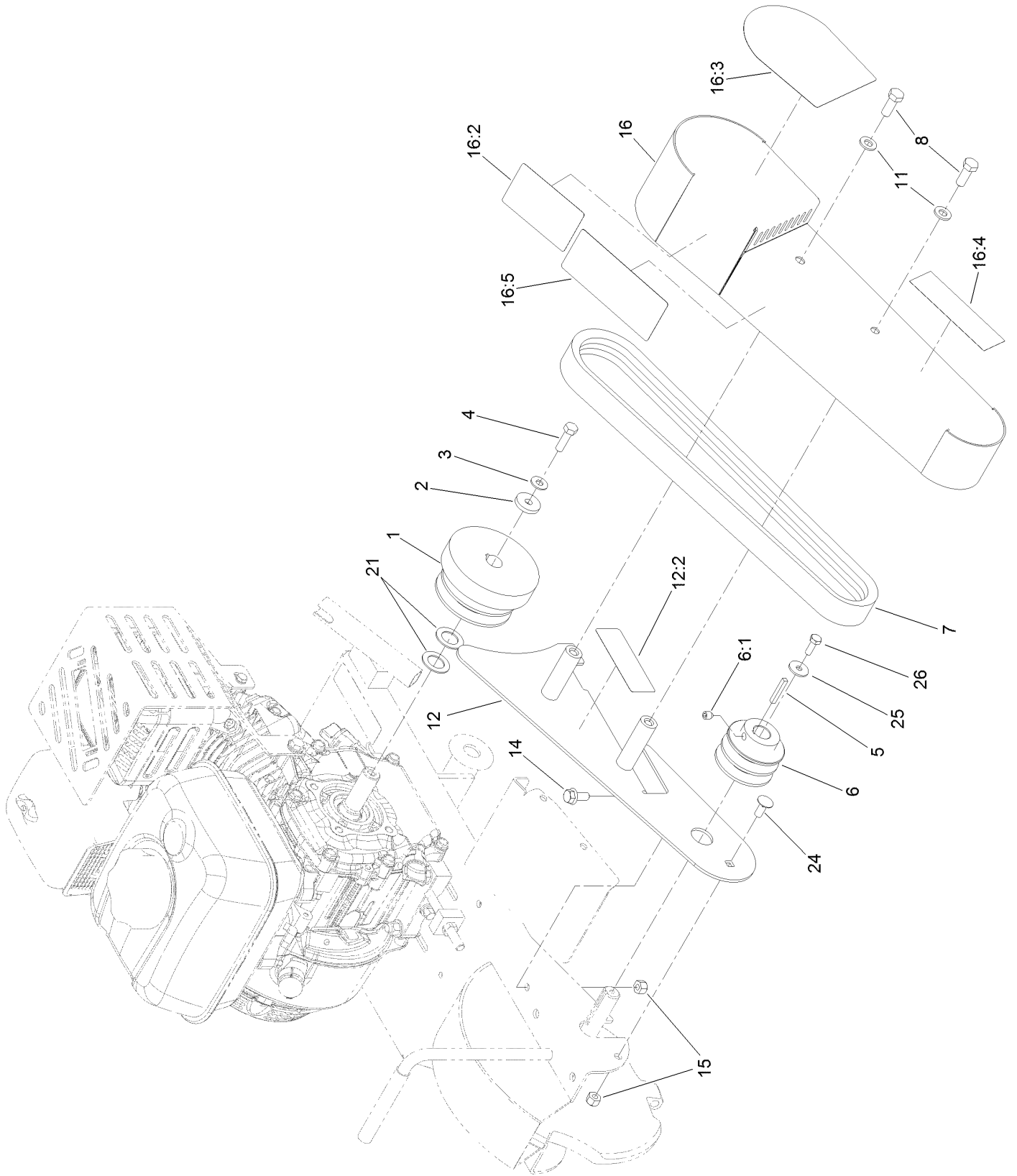
Flap Assembly



Flap Assembly (continued)

<i>Ref.</i>	<i>Part Number</i>	<i>Qty.</i>	<i>Description</i>	<i>Ref.</i>	<i>Part Number</i>	<i>Qty.</i>	<i>Description</i>
1	120-5355	1	Flap-Rear	6	120-1246-01	1	Bracket-Support, Flap
2	120-5352	1	Flap-Right	7	322-5	14	Screw-HH
3	120-1313	1	Flap-Wing	8	3296-29	14	Nut-Lock, NI
4	120-5353	1	Flap-Wing, Rear	9	120-5354-01	1	Plate-Mounting, Flap
5	120-1315-01	3	Plate-Mounting, Flap				

Belt Drive Assembly



Belt Drive Assembly (continued)

<i>Ref.</i>	<i>Part Number</i>	<i>Qty.</i>	<i>Description</i>	<i>Ref.</i>	<i>Part Number</i>	<i>Qty.</i>	<i>Description</i>
1	137-7661	1	Clutch-Centrifugal	14	3234-47	2	Screw-HHF
2	115-7292	1	Washer-Hardened	15	3296-29	3	Nut-Lock, NI
3	98-3499	1	Washer-Flat	16	138-3128	1	Belt Guard ASM
4	3210-6	1	Screw-HH	16:2	119-4692	1	Decal-Caution
5	92-2649	1	Key-Square	16:3	119-4723	1	Decal
6	137-7662	1	Pulley-Front	16:4	120-1815	1	Decal
6:1	3246-3	1	Screw-HSH	16:5	137-4870	1	Decal-Service
7	137-7683	1	Belt-V, Banded	21	3-8664	2	Washer-Thrust
8	323-6	2	Screw-HH	24	3230-23	1	Screw-CARR
11	3256-38	2	Washer-Flat	25	3256-67	1	Washer
12	137-7689	1	Plate-Guard, Inner	26	329-23	1	Screw-HH
12:2	117-4979	1	Decal-Warning, Shields				

Attachments and Accessories

For 22600 SGR-6 Stump Grinder

Product Name	Model/Part
Wheel Tooth Kit.....	132-4006
3-Pack Wheel Tooth Kit.....	132-4007
6-Pack Wheel Tooth Kit.....	132-4008

Notes:

Notes:

Notes:



Count on it.