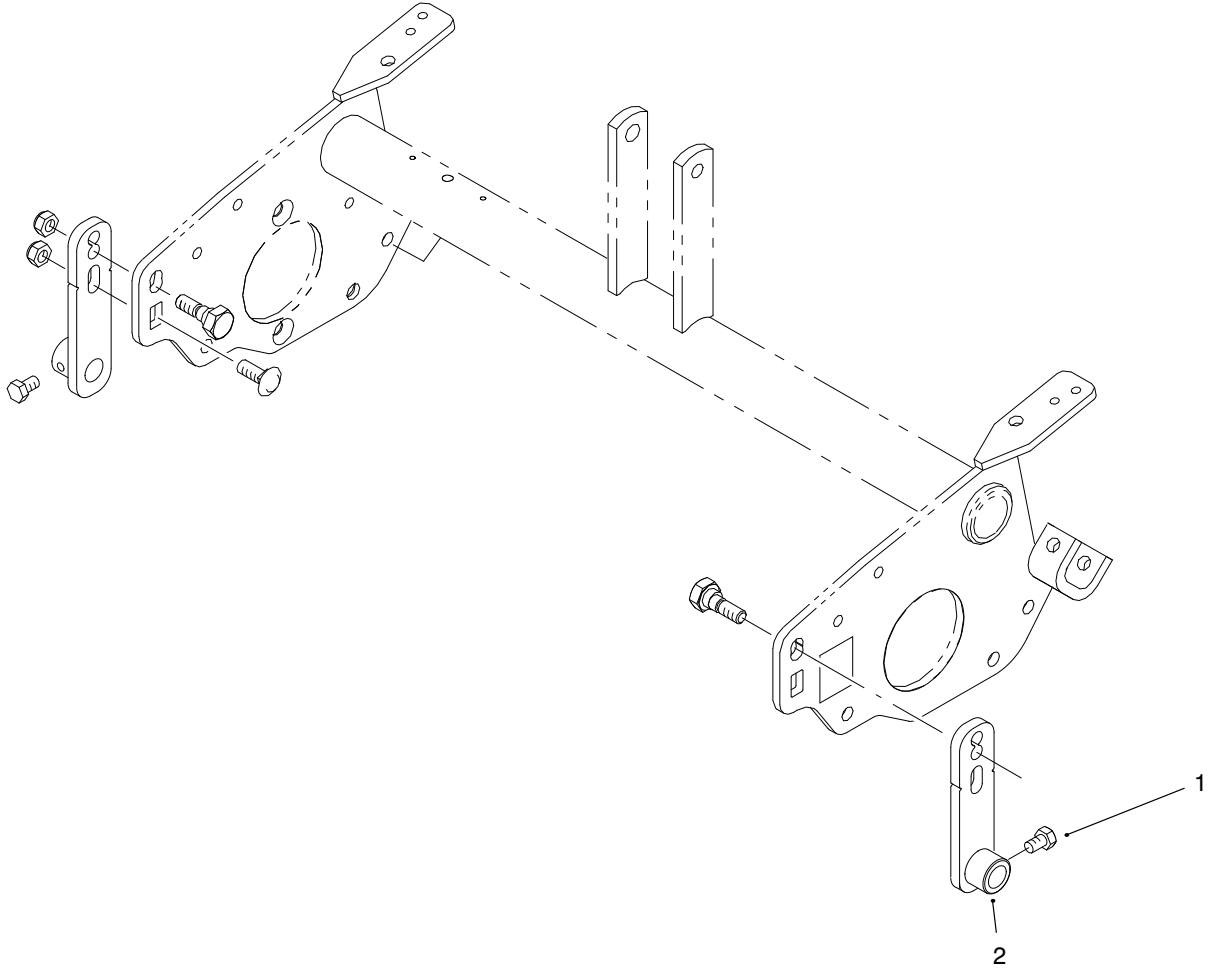




|  |                          |
|--|--------------------------|
| PART NO. 99-1496                                   | <b>PARTS<br/>CATALOG</b> |
| <b>HEIGHT-OF-CUT KIT<br/>FOR GREENMASTER® 3200</b> |                          |



T-3099

### HEIGHT-OF-CUT KIT ASM

| Ref. No. | Part No. | Description | No. Used |
|----------|----------|-------------|----------|
| 1        | 48-7610  | Screw-HH    | 6        |

| Ref. No. | Part No. | Description   | No. Used |
|----------|----------|---------------|----------|
| 2        | 98-2154  | Bracket-Front | 6        |