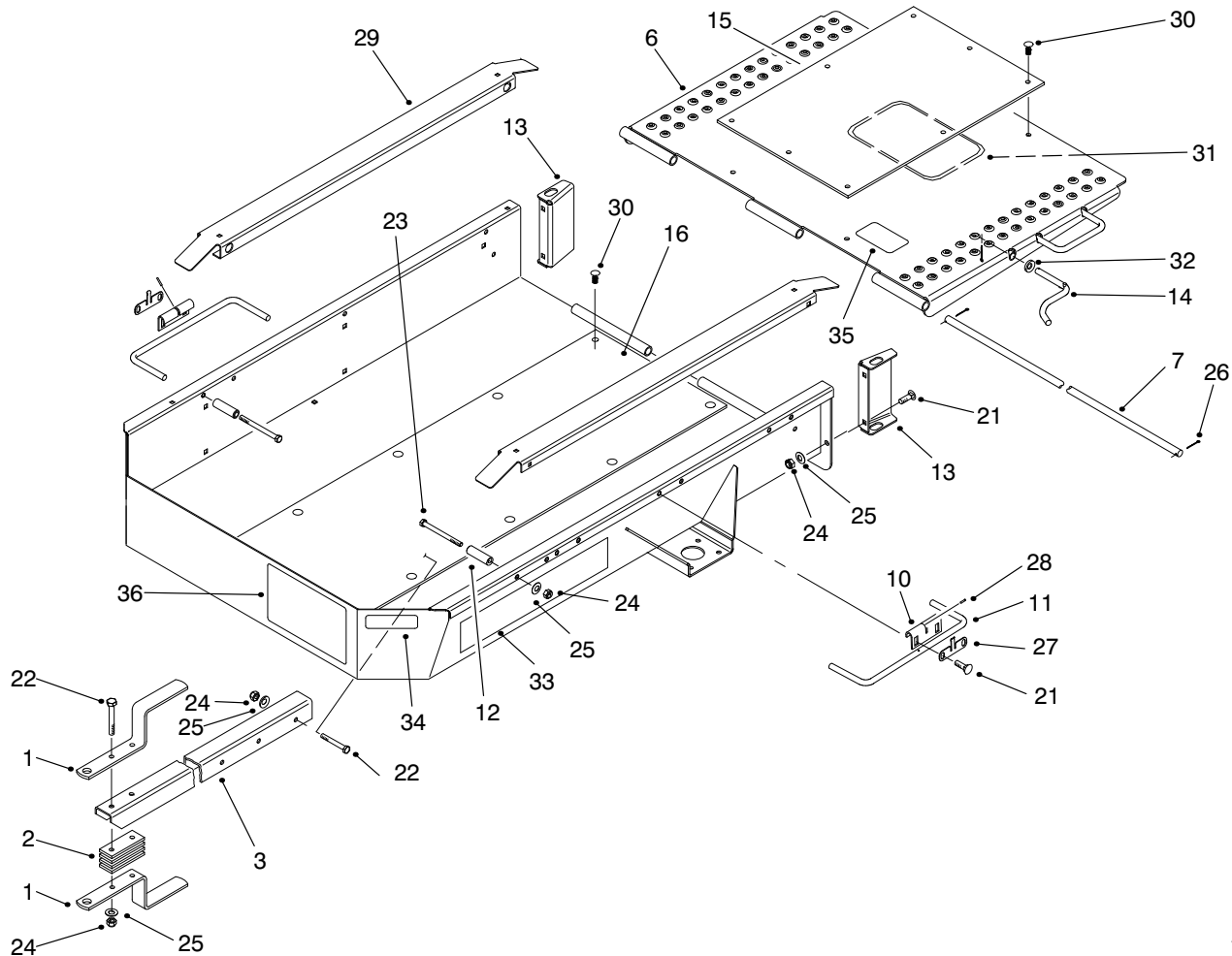




MODEL NO. 04240-80001 & UP	PARTS CATALOG
TOW BEHIND TRAILER TRANS PRO 100	



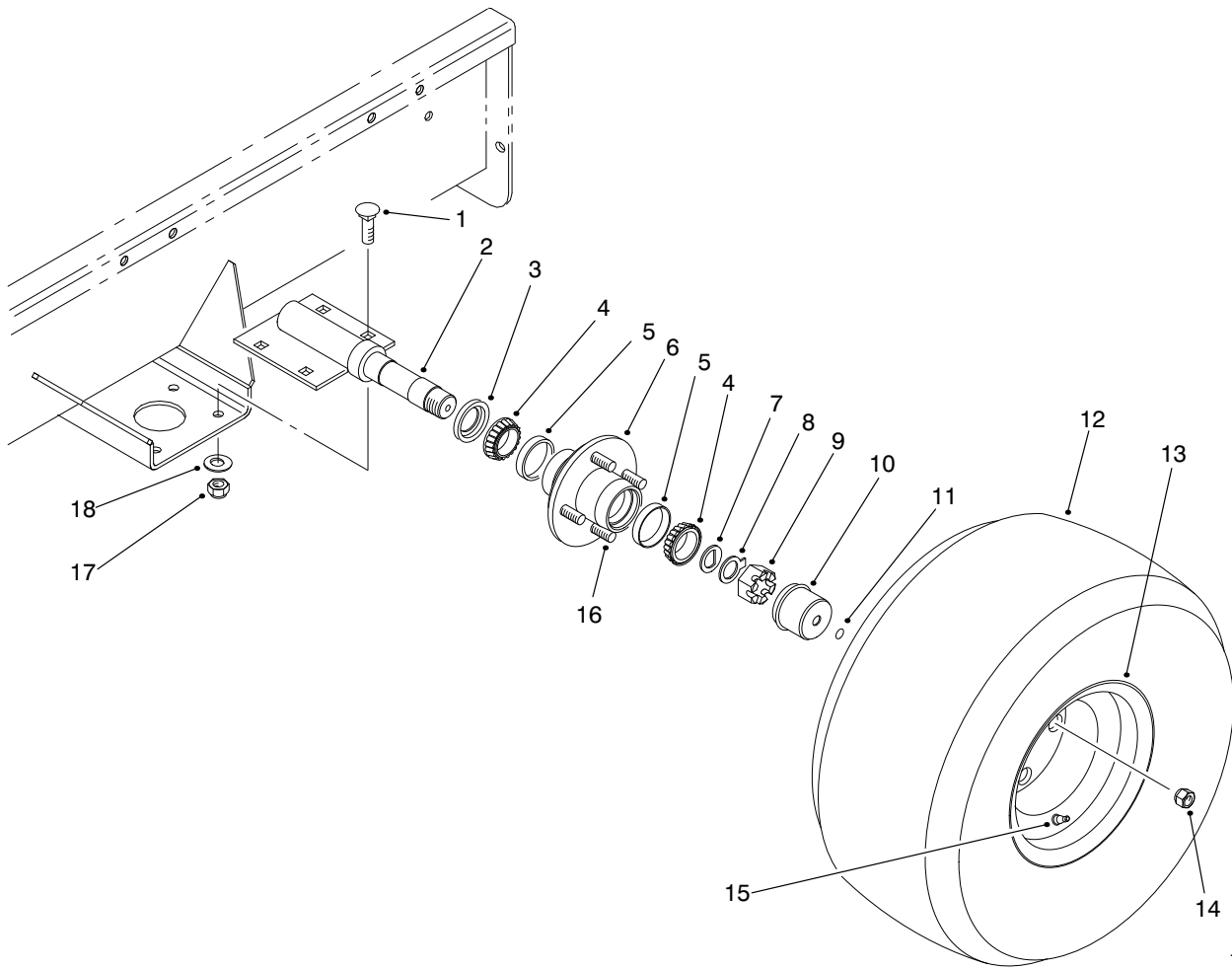
T-3056

TRAILER BED ASM

Ref. No.	Part No.	Description	No. Used
1	98-8779	Hitch- Trailer	2
2	98-8780	Spacer- Hitch	4
3	99-4543	Tongue- Trailer	1
6	98-8770	Ramp- Trailer	1
7	98-8759	Rod- Hinge	1
10	98-8755	Bracket- Rod	4
11	98-8696	Rod- Wheel, Large	4
12	98-8756	Spacer- Stop	2
13	98-8761	Guide- Wheel	2
14	98-8754	Latch- Ramp	1
15	98-8775	Mat- Ramp	1
16	98-8776	Mat- Bed	1
21	3231-21	Bolt- CARR	20
22	323-13	Screw- HH	4

Ref. No.	Part No.	Description	No. Used
23	323-38	Screw- HH	2
24	3296-39	Nut- Lock	26
25	3256-24	Washer- Flat	26
26	3272-7	Pin- Cotter	3
27	98-8697	Spring- Latch	4
28	99-4536	Pin- Grooved	4
29	98-8677	Insert- Standard	2
30	99-4515	Fastener- Panel	20
31	66-1210	Decal- Toro	1
32	3256-26	Washer- Flat	1
33	98-8694	Decal- Trans Pro 100	2
34	98-8687	Decal- Caution (Tire)	1
35	98-8676	Decal- Caution	1
36	98-8688	Decal- Caution	1

*Not Illustrated



T-3057

WHEEL ASM

Ref. No.	Part No.	Description	No. Used
1	3231-22	Bolt-CARR	8
2	98-8766	Axle	2
3	99-4599	Seal-Grease	2
4	99-4501	Cone-Bearing	4
5	99-4511	Race-Bearing	4
6	99-4502	Hub	2
7	99-4505	Washer-D Type	2
8	99-4509	Washer-Tang	2
9	99-4508	Nut-Castle	2
10	99-4503	Cap-Grease	2
11	99-4504	Plug-Cap, Grease	2
12	99-4506	Tire	2

Ref. No.	Part No.	Description	No. Used
13	99-4507	Rim	2
14	242-50	Nut	8
15	232-27	Stem-Valve	2
16	99-4512	Stud-Hub	8
17	3296-39	Nut-Lock	8
18	3256-24	Washer-Flat	8
*	98-8691	Asm-Wheel (Incl. Ref. #12-13 & 15)	2
*	98-8690	Asm-Hub (Incl. Ref. #3-11, 14 & 16)	2
*	232-47	Inner Tube (Optional)	2

*Not Illustrated