



Count on it.

Parts Catalog

**Commercial Walk-Behind
Traction Unit**

18HP Pistol-Grip Hydro Drive

Model No. 31914—Serial No. 40000000 and Up



Ordering Replacement Parts

To order replacement parts, please supply the part number, the quantity, and the description of each part desired.

Understanding Reference Numbers

Each identified part in an illustration has a reference number. The reference number for a part also appears in the parts list, along with other information about the part.

This catalog uses two special reference number formats, one to indicate parts in a service assembly and another to indicate the quantity of a given part in an illustration.

Service Assembly Reference Numbers

Parts in service assemblies have reference numbers in the form a:b. The a represents the reference number of the entire service assembly and the b represents a sequential number unique to each part within the service assembly.

For example, a wheel assembly might be identified by reference number 6, the tire by 6:1, the valve by 6:2, and the wheel by 6:3. When you order the assembly identified by reference number 6, you receive all parts identified by reference numbers 6:1, 6:2, and 6:3. However, you may also order any part individually. Reference numbers of this type appear in illustration and in parts lists.

Reference Numbers Indicating Quantity

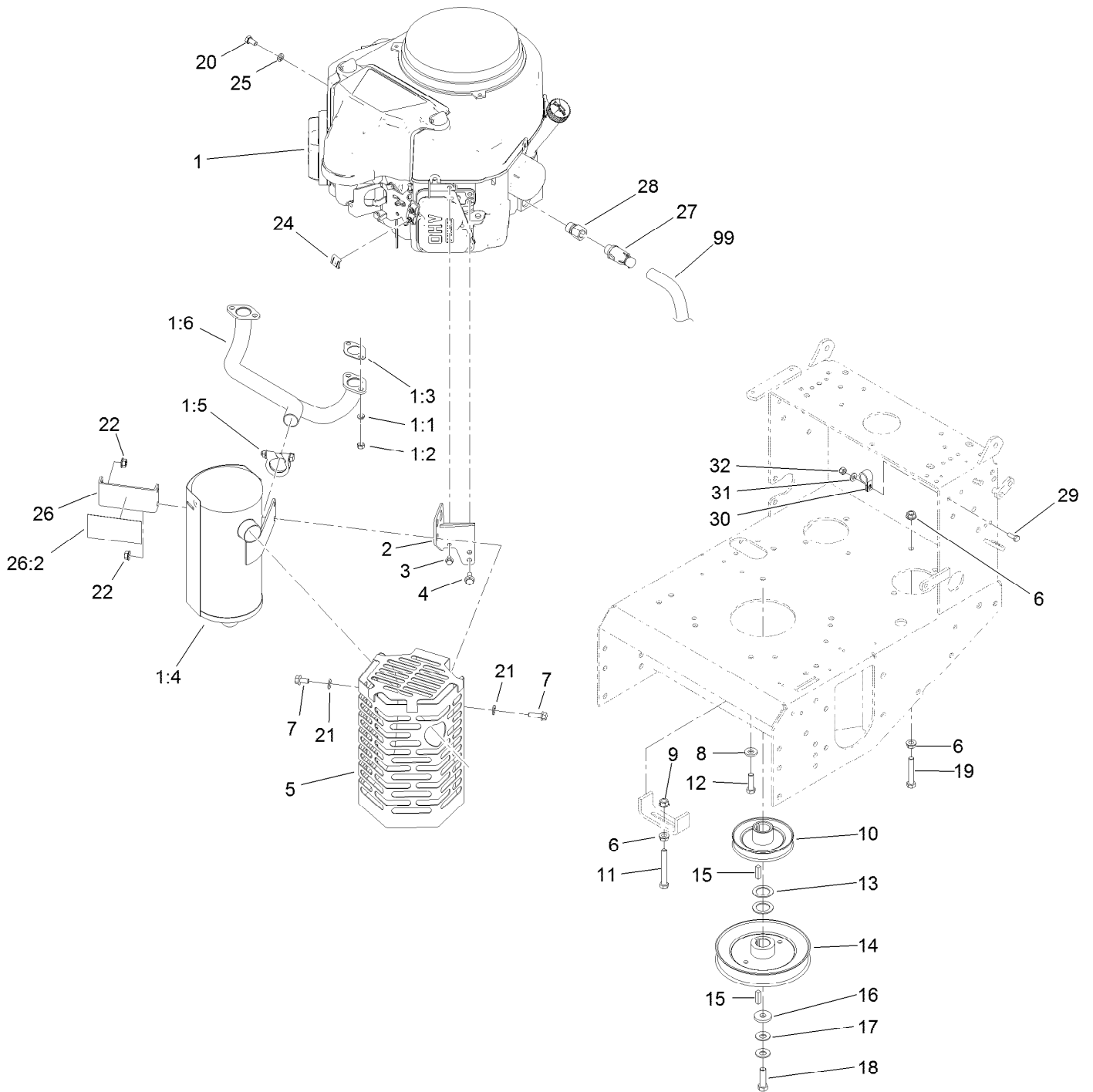
In an illustration, if a reference number indicates more than one part, the reference number has the form nX y. The n represents the quantity of the part, the X is the multiplication symbol, and the y represents the reference number.

For example, in an illustration, the reference number 2X 37 means that two of the parts identified by reference number 37 are indicated.

Contents

Engine and Muffler Assembly	4
Muffler Shield Assembly No. 120-3238	6
Fuel Tank and Hose Assembly	8
Drive Assembly	10
Hydraulic Wheel Motor Assembly No. 1-603718	12
RH Hydraulic Pump Assembly No. 116-0943	14
LH Hydraulic Pump Assembly No. 116-0942	15
Parking Brake Assembly	16
Frame and Linkage Assembly	18
Hydraulic System Assembly	20
Lower Control Assembly	22
Control Handle Assembly	24
Control Panel Decal Assembly	26
Upper Handle Assembly	28
Harness and Battery Assembly	30
Attachments and Accessories	32

Engine and Muffler Assembly



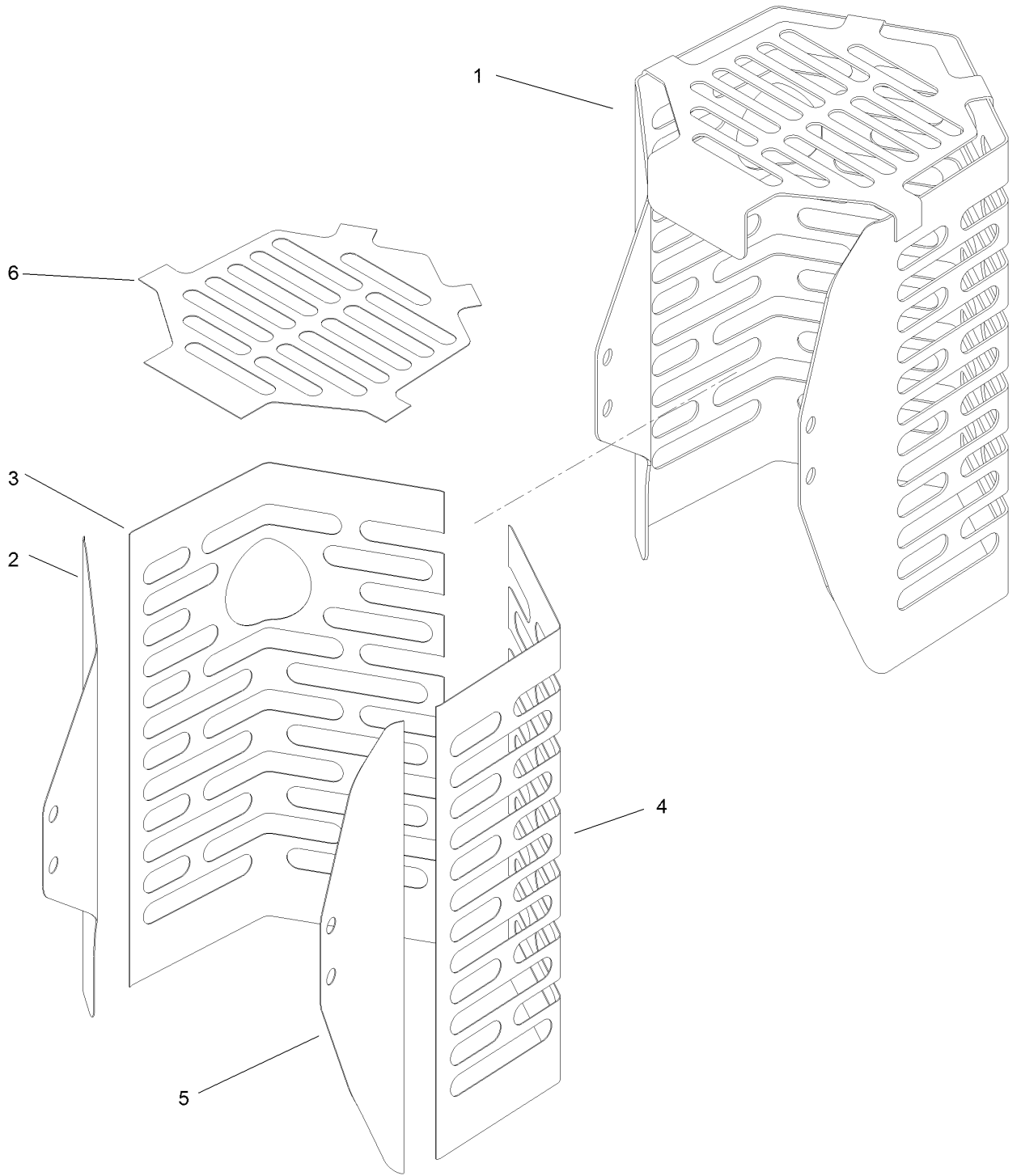
Engine and Muffler Assembly (continued)

<i>Ref.</i>	<i>Part Number</i>	<i>Qty.</i>	<i>Description</i>	<i>Ref.</i>	<i>Part Number</i>	<i>Qty.</i>	<i>Description</i>
1		1	Engine-Kawasaki-Fs541V ●	14	110-4891	1	Pulley
			■	15	1-807259	2	Key
1:1	114-3550	4	Washer-Lock	16	1-373034	1	Washer
1:2	114-3549	4	Nut	17	1-603610	2	Washer-Spring
1:3	1-653313	2	Gasket-Exhaust	18	116-3702	1	Screw-HH
1:4	119-7800	1	Muffler-Engine	19	323-11	1	Screw-HH
1:5	119-7801	1	Clamp-Muffler	20	33114-016	1	Screw-HH
1:6	119-7802	1	Manifold-Exhaust	21	1-303334	4	Washer-Spring
2	117-8561-03	1	Bracket-Muffler	22	117-1350	4	Nut-HF, Lock
3	33103-012	1	Screw-HHF	24	81-1690	1	Clamp-Cable
4	33104-016	2	Screw-HHF	25	3253-4	1	Washer-Lock
5	120-3238	1	Muffler Shield ASM	26	120-3245	1	Muffler Bracket ASM
6	3290-357	11	Nut-HHF, Whiz	26:2	120-3244	1	Foil-Shield, Bracket
7	33104-025	4	Screw-HHF	27	120-4321	1	Valve-Drain, Oil
8	98-5975	12	Washer-Belleville	28	103-1966	1	Adapter
9	32128-21	1	Nut-HF	29	321-4	1	Screw-HH
10	1-653035	1	Pulley	30	2412-87	1	Clamp-Cable
11	323-14	1	Screw-HH	31	3256-22	1	Washer-Flat
12	323-7	4	Screw-HH	32	3296-42	1	Nut-Lock, NI
13	1-523157	2	Washer-Spacer	99	103-1964	1	Hose-Drain, Oil

● Not serviced separately

■ Obtain parts from www.kawpowerepc.com

Muffler Shield Assembly No. 120-3238



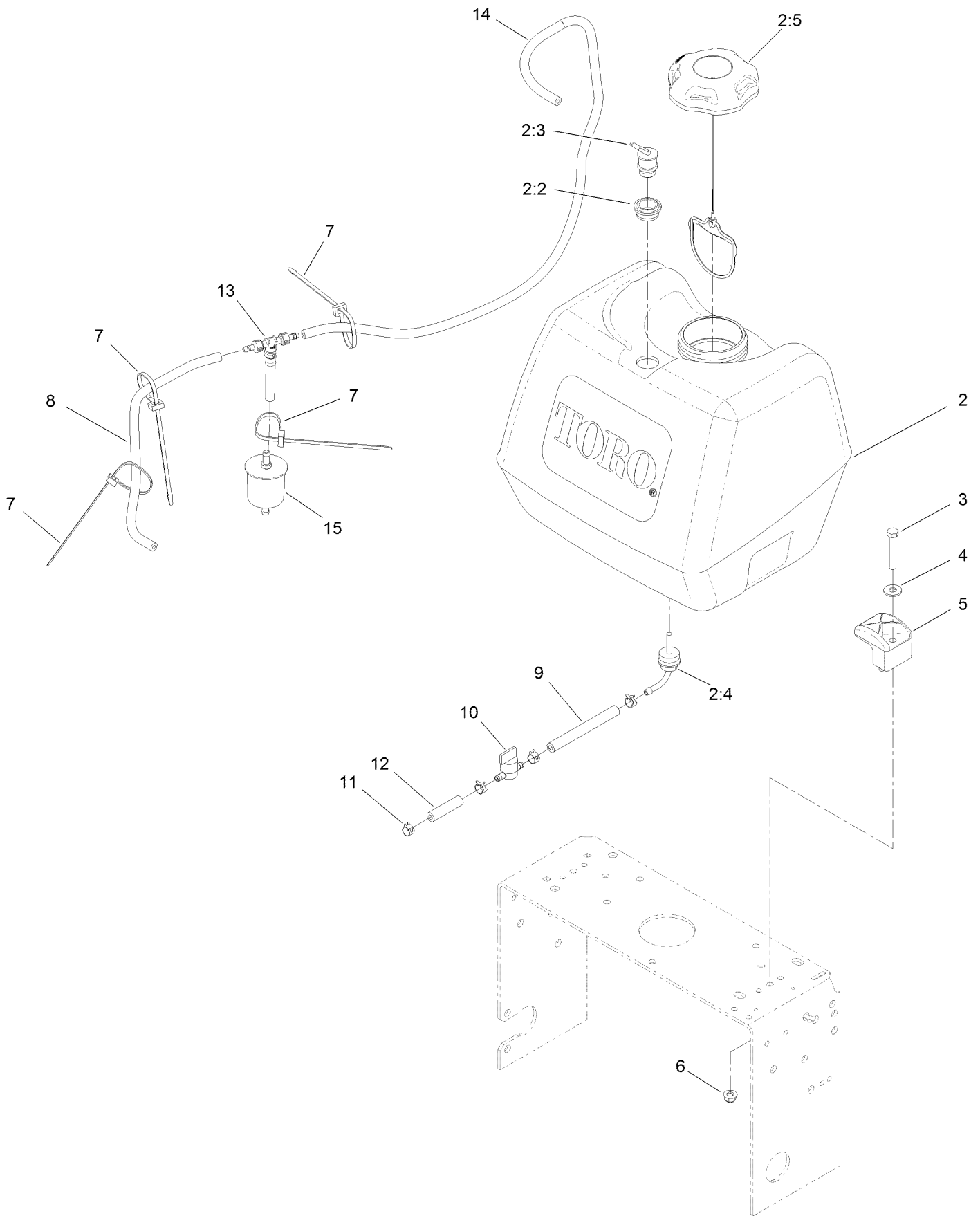
Muffler Shield Assembly No. 120-3238 (continued)

<i>Ref.</i>	<i>Part Number</i>	<i>Qty.</i>	<i>Description</i>
1		1	Shield-Muffler ●
2	120-3239	1	Foil-Shield, Left
3	120-3240	1	Foil-Shield, Side

<i>Ref.</i>	<i>Part Number</i>	<i>Qty.</i>	<i>Description</i>
4	120-3241	1	Foil-Shield, Front
5	120-3242	1	Foil-Shield, Right
6	120-3243	1	Foil-Shield, Top

● Not serviced separately

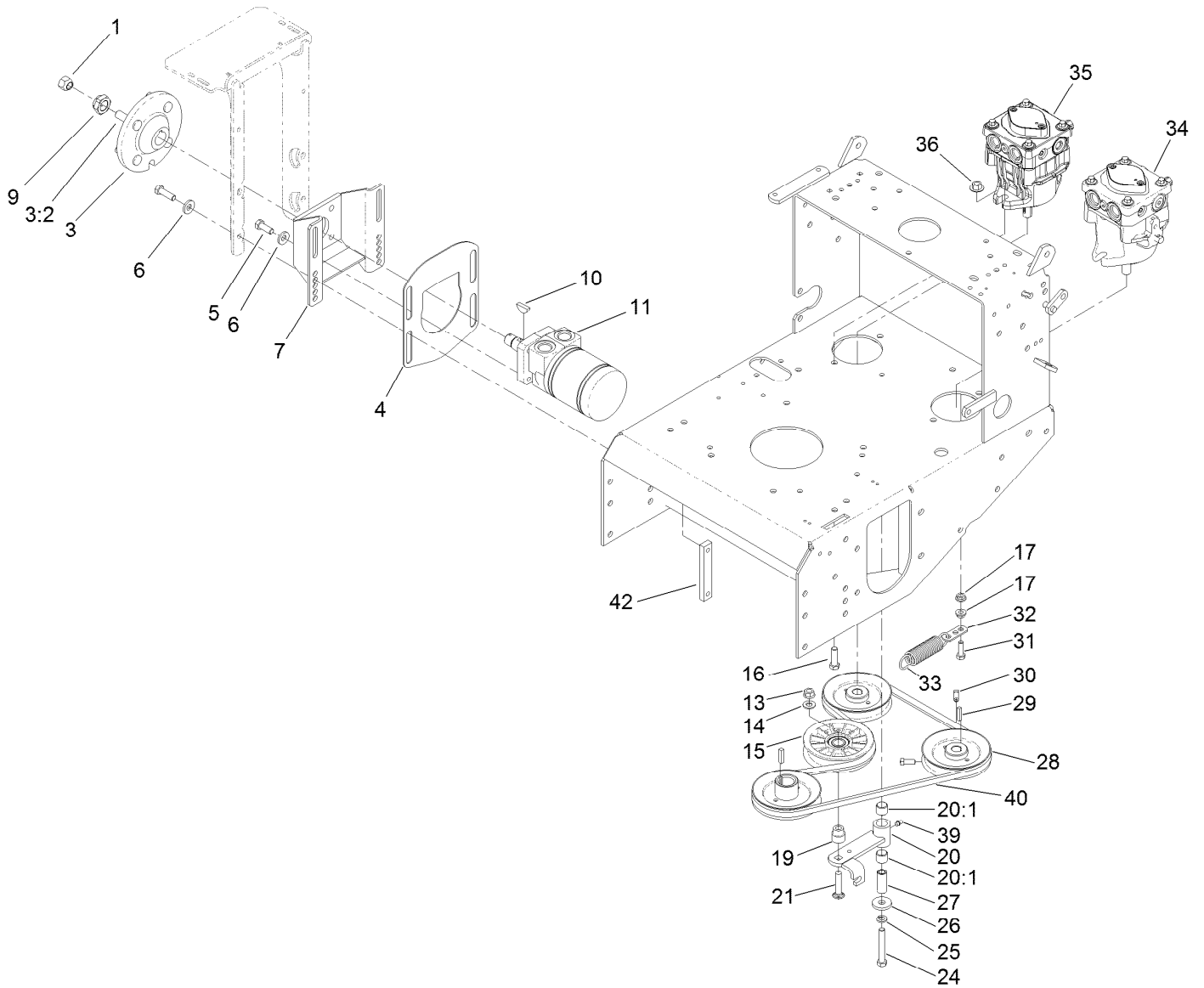
Fuel Tank and Hose Assembly



Fuel Tank and Hose Assembly (continued)

<i>Ref.</i>	<i>Part Number</i>	<i>Qty.</i>	<i>Description</i>	<i>Ref.</i>	<i>Part Number</i>	<i>Qty.</i>	<i>Description</i>
2	126-1526	1	Fuel Tank ASM	7	3290-378	4	Tie-Cable
2:2	114-0284	1	Grommet	8	115-7872	1	Hose-Fuel
2:3	119-3547	1	Valve-Vent, Fuel	9	109-0650	1	Hose-Fuel
2:4	103-2605	1	Fitting-Fuel, Bulkhead	10	1-603770	1	Valve-Fuel
2:5	137-4119	1	Cap-Fuel, Ratcheting	11	2412-98	4	Clamp-Hose
3	322-10	2	Screw-HH	12	99-9415	1	Hose-Fuel
4	3256-3	2	Washer-Flat	13	116-5464	1	Tee And Check
5	107-4543	2	Clamp	14	116-4346	1	Hose-Emissions
6	104-8300	2	Nut-HF, NI	15	120-2235	1	Filter-Fuel

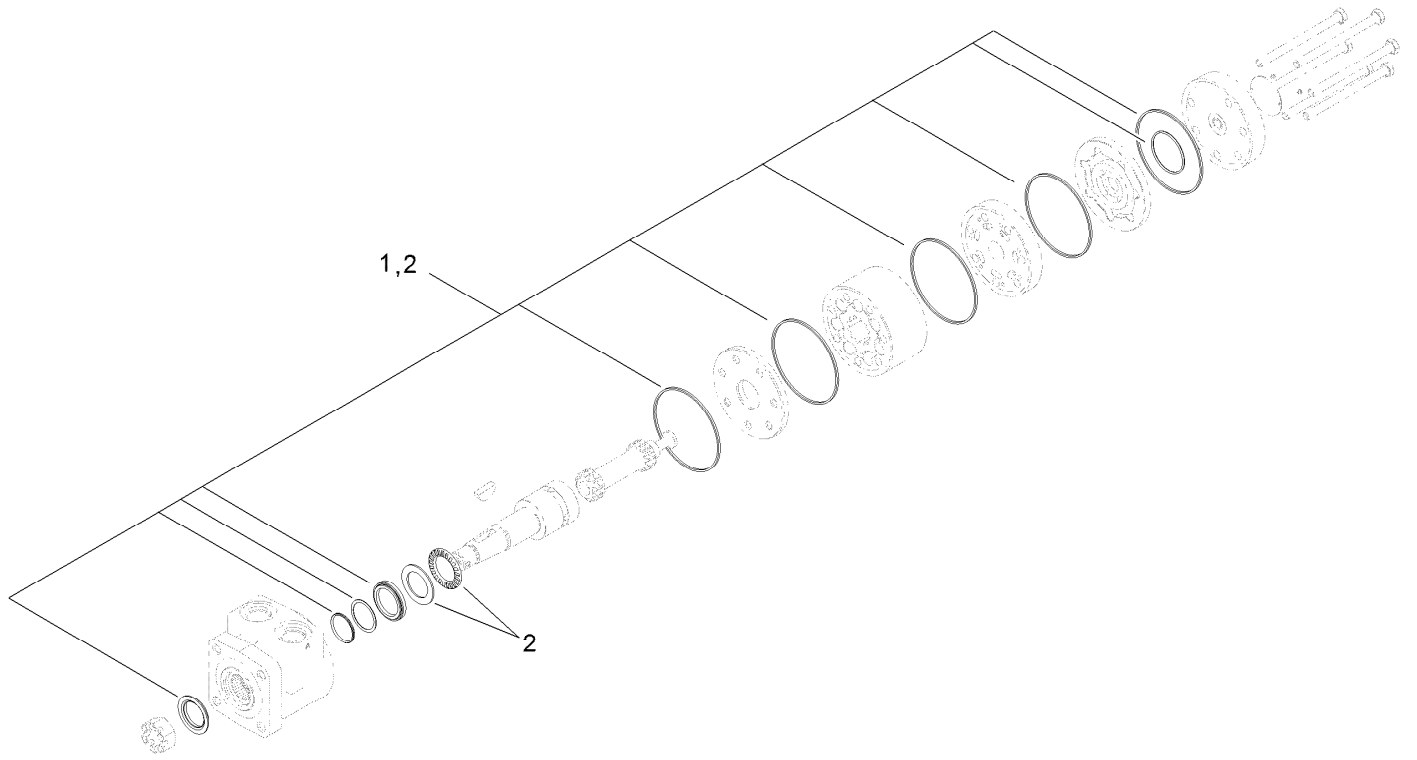
Drive Assembly



Drive Assembly (continued)

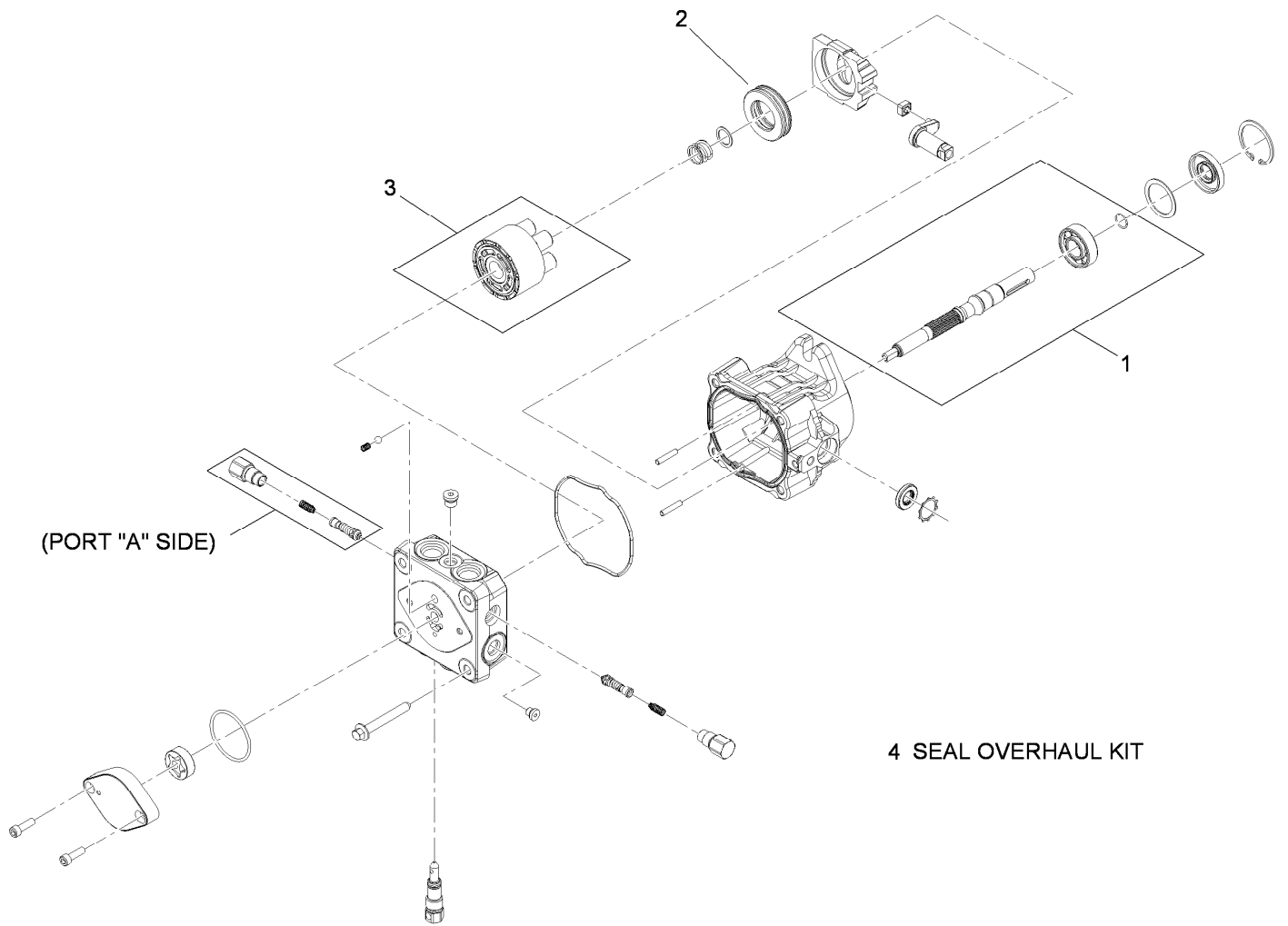
<i>Ref.</i>	<i>Part Number</i>	<i>Qty.</i>	<i>Description</i>	<i>Ref.</i>	<i>Part Number</i>	<i>Qty.</i>	<i>Description</i>
1	242-50	8	Nut-Lug	21	3231-29	1	Screw-CARR
3	112-9049	2	Wheel Hub ASM	24	323-12	1	Screw-HH
3:2	1-633926	4	Stud-Wheel	25	3253-21	1	Washer-Lock
4	115-3805-01	2	Guard-Debris	26	1-373034	1	Washer
5	323-6	12	Screw-HH	27	1-603044	1	Bushing
6	98-5975	16	Washer-Belleville	28	1-413010	2	Sheave ASM
7	103-2289-01	2	Mount-Motor	29	1-807272	2	Key
9	116-2839	2	Nut-Lock	30	120-6474	4	Screw-Set, SQH
10	1-807019	2	Key-Woodruff	31	322-5	1	Screw-HH
11	1-603718	2	HYD Motor ASM	32	1-603801	1	Anchor-Spring
13	32128-21	1	Nut-HF	33	1-603402	1	Spring-Extension
14	3256-24	1	Washer-Flat	34	116-0942	1	LH HYD Pump ASM
15	109-4077	1	Pulley-Idler, Flat	35	116-0943	1	RH HYD Pump ASM
16	323-7	4	Screw-HH	36	32128-43	4	Nut-Flange
17	32128-20	2	Nut-HF	39	302-19	1	Fitting-Grease
19	1-603496	1	Bushing-Idler	40	106-2740	1	V-Belt
20	1-602521	1	Idler Arm ASM	42	115-1023	4	Bar-Nut
20:1	103-4681	2	Sleeve-Bearing				

Hydraulic Wheel Motor Assembly No. 1-603718



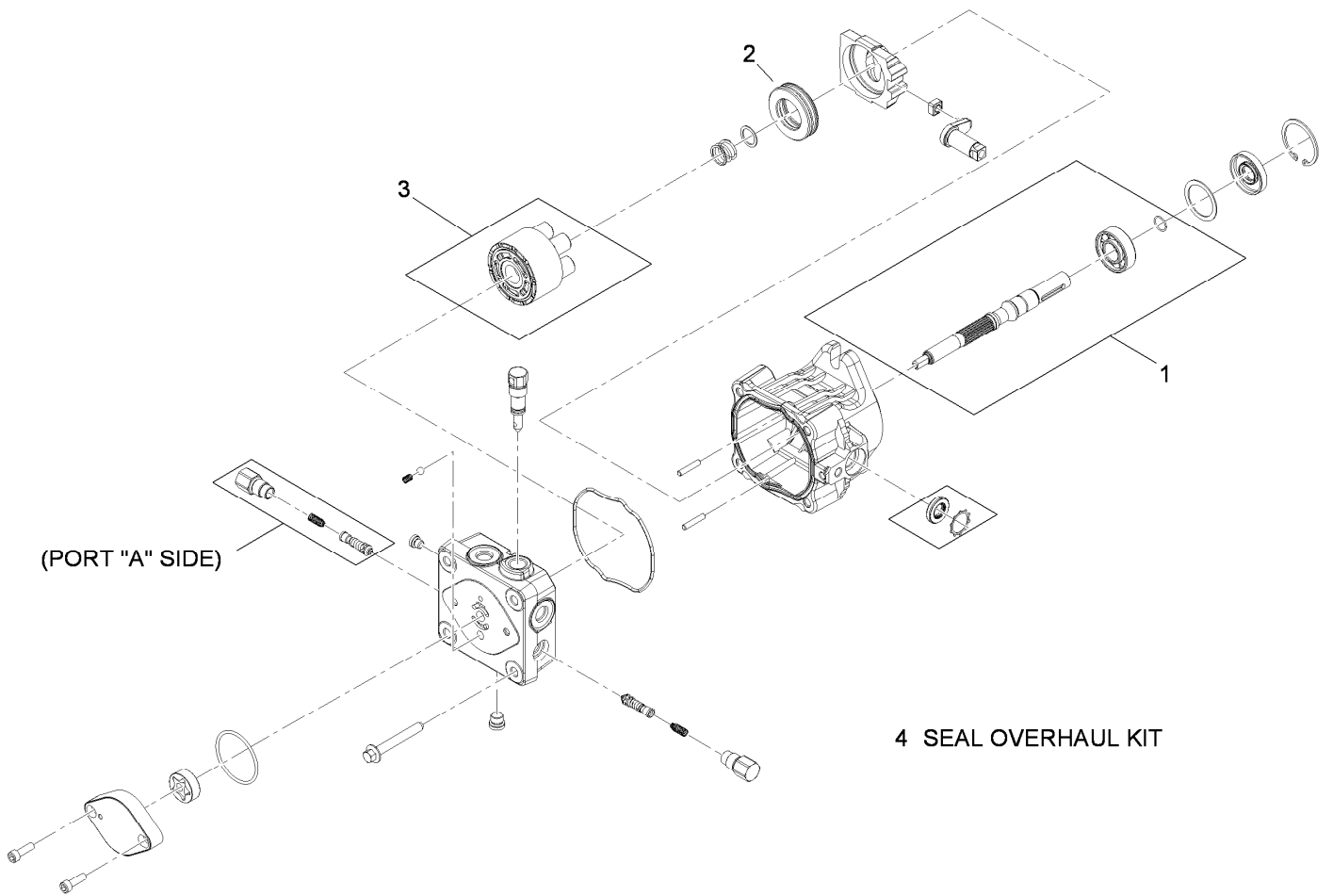
Hydraulic Wheel Motor Assembly No. 1-603718 (continued)

<i>Ref.</i>	<i>Part Number</i>	<i>Qty.</i>	<i>Description</i>
1	1-000119	1	Seal Kit
2	1-000138	1	Bearing And Seal Kit



RH Hydraulic Pump Assembly No. 116-0943

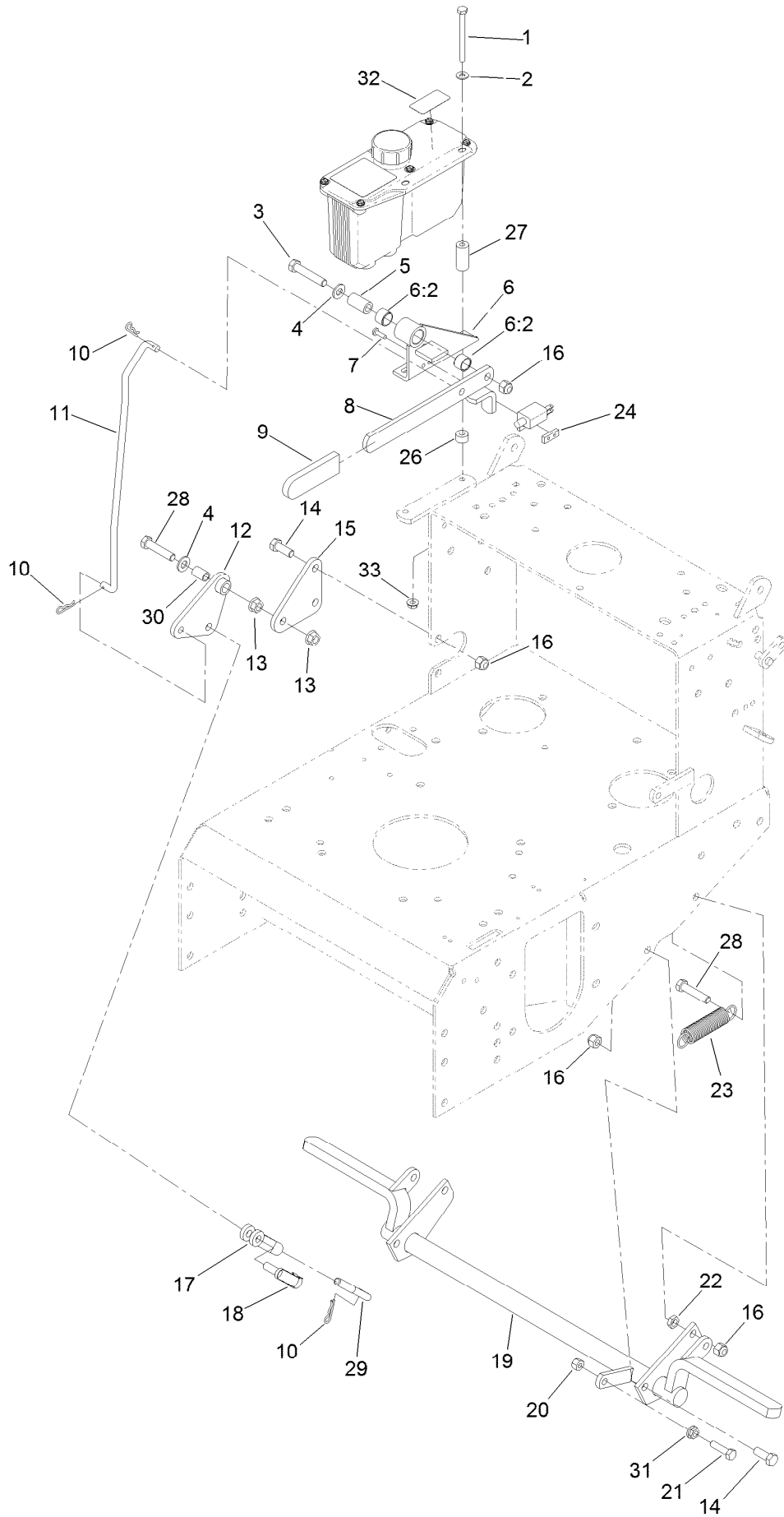
<i>Ref.</i>	<i>Part Number</i>	<i>Qty.</i>	<i>Description</i>
1	103-2664	1	Input Shaft Kit
2	94-6922	1	Bearing-Thrust
3	103-2666	1	Cylinder Block Kit
4	105-6184	1	Seal Overhaul Kit



LH Hydraulic Pump Assembly No. 116-0942

<i>Ref.</i>	<i>Part Number</i>	<i>Qty.</i>	<i>Description</i>
1	103-2664	1	Input Shaft Kit
2	94-6922	1	Bearing-Thrust
3	103-2666	1	Cylinder Block Kit
4	105-6184	1	Seal Overhaul Kit

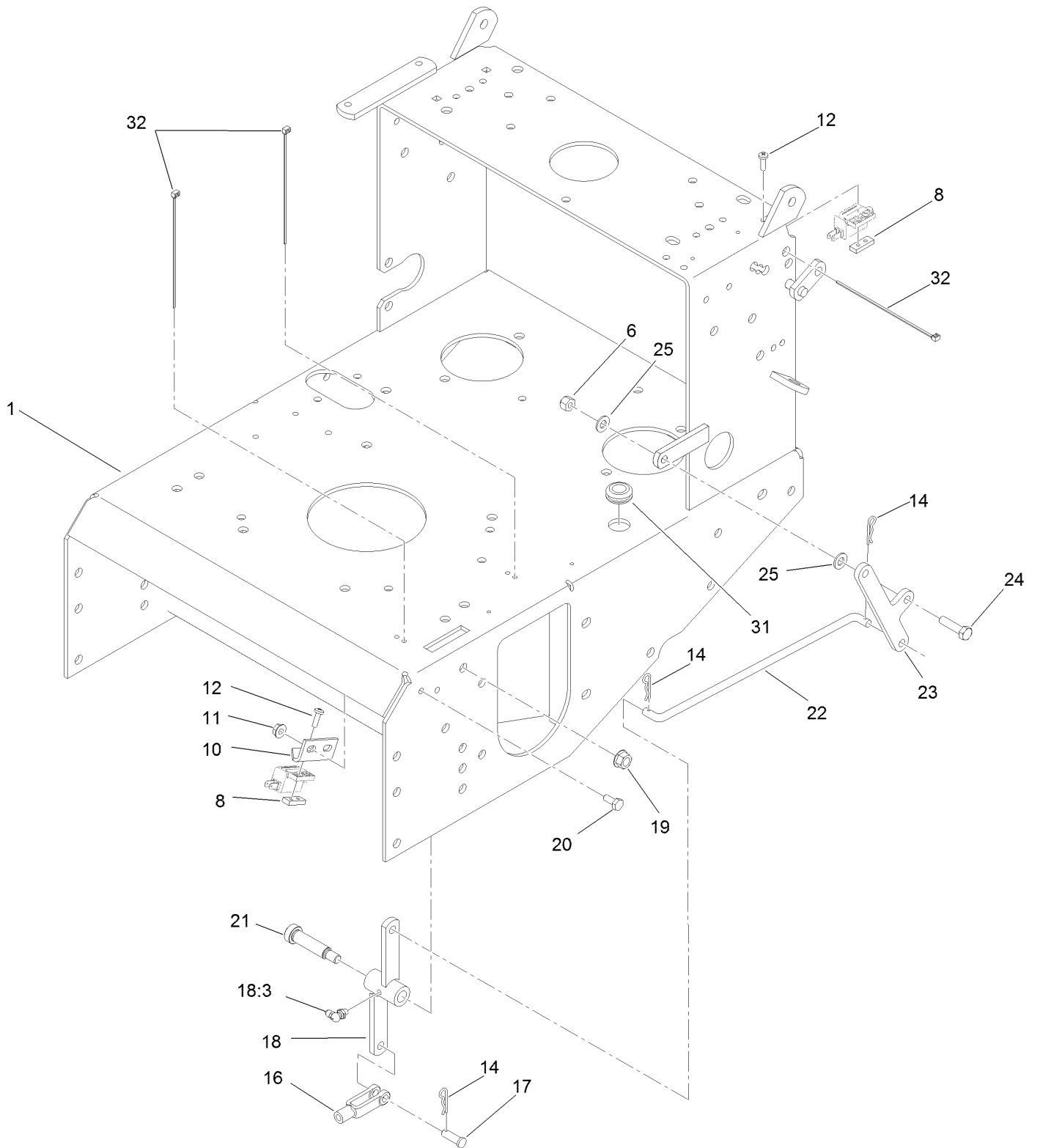
Parking Brake Assembly



Parking Brake Assembly (continued)

<i>Ref.</i>	<i>Part Number</i>	<i>Qty.</i>	<i>Description</i>	<i>Ref.</i>	<i>Part Number</i>	<i>Qty.</i>	<i>Description</i>
1	321-23	2	Screw-HH	17	1-633131	1	Yoke-Linkage, Brake
2	3256-22	2	Washer-Flat	18	103-2399	1	Pin-Spring, Clevis
3	323-10	1	Screw-HH	19	126-1599	1	Shaft-Cross, Brake
4	3256-24	2	Washer-Flat	20	3296-29	1	Nut-Lock, NI
5	1-413344	1	Bushing-Pivot	21	116-3515	1	Screw-HH, Special
6	1-414504	1	Bracket ASM	22	3218-3	1	Nut-Jam
6:2	1-413347	2	Sleeve-Bushing	23	1-323161	1	Spring-Idler
7	3290-500	2	Screw-PPH	24	1-633181	1	Plate-Tapped
8	119-6675-03	1	Park Brake Lever	26	1-323549	2	Spacer
9	1-303020	1	Grip-Lever	27	103-2191	2	Spacer
10	1-806003	3	Pin-Cotter	28	323-9	2	Screw-HH
11	1-413496	1	Linkage-Upper	29	1-413489	1	Linkage-Lower
12	1-414508	1	Bellcrank ASM	30	1-303548	1	Bushing-Plastic
13	32128-21	2	Nut-HF	31	32128-20	1	Nut-HF
14	323-6	5	Screw-HH	32	115-1039	1	Decal-Brake, Park
15	1-413497	1	Bellcrank	33	32128-33	2	Nut-HF
16	3296-39	7	Nut-Lock, NI				

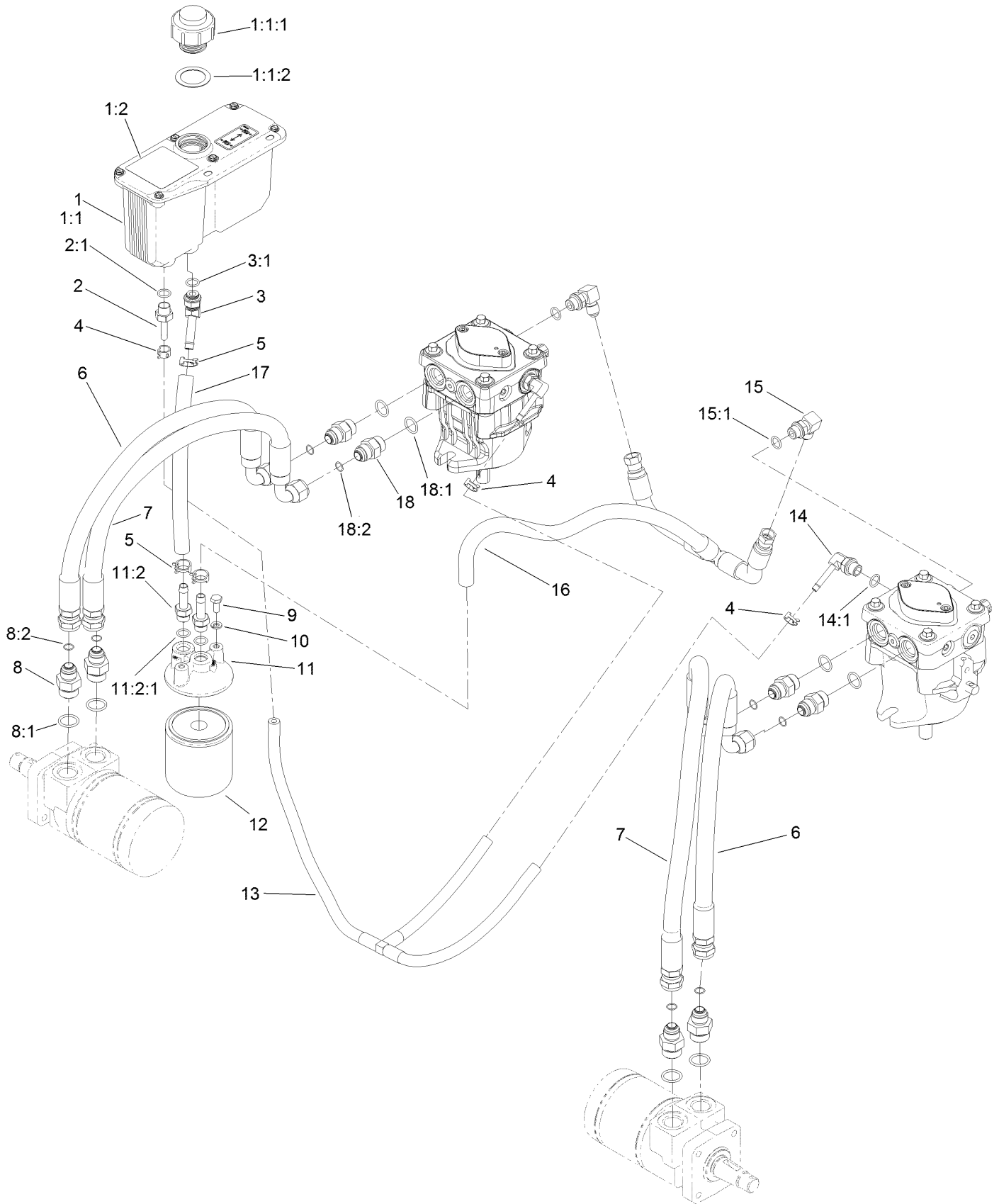
Frame and Linkage Assembly



Frame and Linkage Assembly (continued)

<i>Ref.</i>	<i>Part Number</i>	<i>Qty.</i>	<i>Description</i>	<i>Ref.</i>	<i>Part Number</i>	<i>Qty.</i>	<i>Description</i>
1	116-6086-01	1	Frame	18:3	302-40	1	Fitting-Grease, 90 DEG
6	3296-29	1	Nut-Lock, NI	19	32128-21	1	Nut-HF
8	1-633181	2	Plate-Tapped	20	321-3	2	Screw-HH
10	1-323213	1	Bracket-Switch, Blade	21	1-809062	1	Screw
11	32128-33	2	Nut-HF	22	1-323172	1	Linkage-Engage, Blade
12	3290-500	4	Screw-PPH	23	116-1737-01	1	Bellcrank
14	1-806003	3	Pin-Cotter	24	322-6	1	Screw-HH
16	1-303105	1	Yoke-Adjustable	25	3256-23	2	Washer-Plain
17	1-808280	1	Pin-Clevis	31	1-543296	1	Grommet
18	1-322108	1	Bellcrank ASM	32	1-303287	3	Tie-Cable

Hydraulic System Assembly

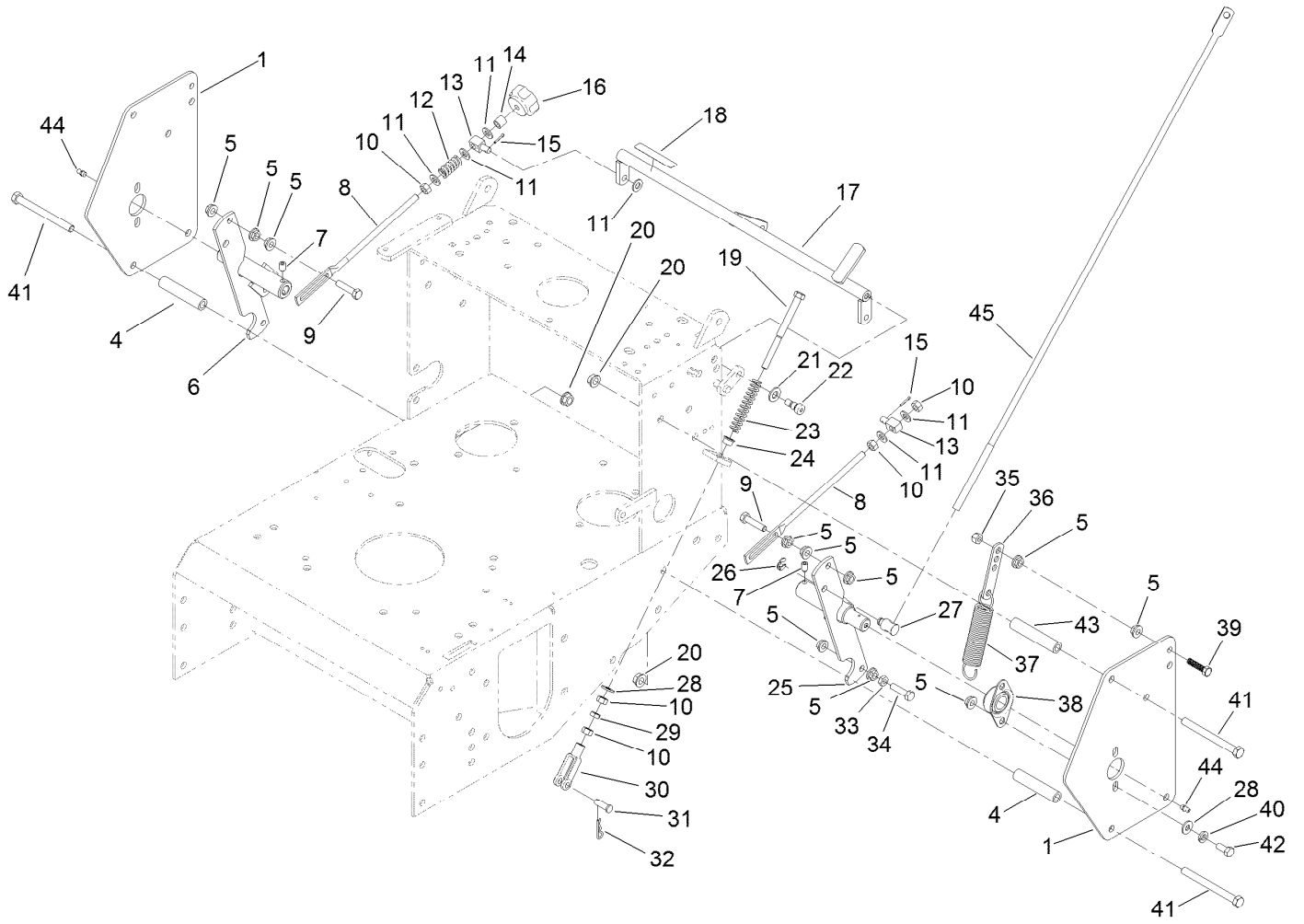


Hydraulic System Assembly (continued)

<i>Ref.</i>	<i>Part Number</i>	<i>Qty.</i>	<i>Description</i>	<i>Ref.</i>	<i>Part Number</i>	<i>Qty.</i>	<i>Description</i>
1	107-8433	1	HYD Reservoir ASM	9	321-3	2	Screw-HH
1:1		1	Reservoir-HYD ●	10	1-805004	2	Washer-Lock
1:1:1	103-1948	1	Cap-Reservoir, HYD	11	103-2889	1	Filter Head ASM
1:1:2	103-1949	1	Gasket-Cap	11:2	103-1912	2	Adapter-Straight
1:2	115-4212	1	Decal-Warning	11:2:1	237-42	1	O-Ring
2	103-1801	1	Adapter-Straight	12	1-633750	1	Filter-Oil, HYD
2:1	237-42	1	O-Ring	13	116-0918	1	Case Drain Hose ASM
3	103-1807	1	Fitting-Barbed, 45 DEG	14	103-1799	2	Elbow-90 DEG
3:1	237-42	1	O-Ring	14:1	237-42	1	O-Ring
4	103-1716	3	Clamp-Hose	15	103-1802	2	Fitting-Elbow, 90 DEG
5	103-1988	3	Clamp-Hose	15:1	237-42	1	O-Ring
6	119-7827	2	HYD Hose ASM	16	116-2123	1	Charge Hose ASM
7	119-7826	2	HYD Hose ASM	17	103-2959	1	Hose-Charge
8	1-603991	4	Fitting-Straight	18	1-603990	4	Fitting-Straight
8:1	237-80	1	O-Ring	18:1	1-603920	1	O-Ring
8:2	1-603992	1	O-Ring	18:2	1-603992	1	O-Ring

● Not serviced separately

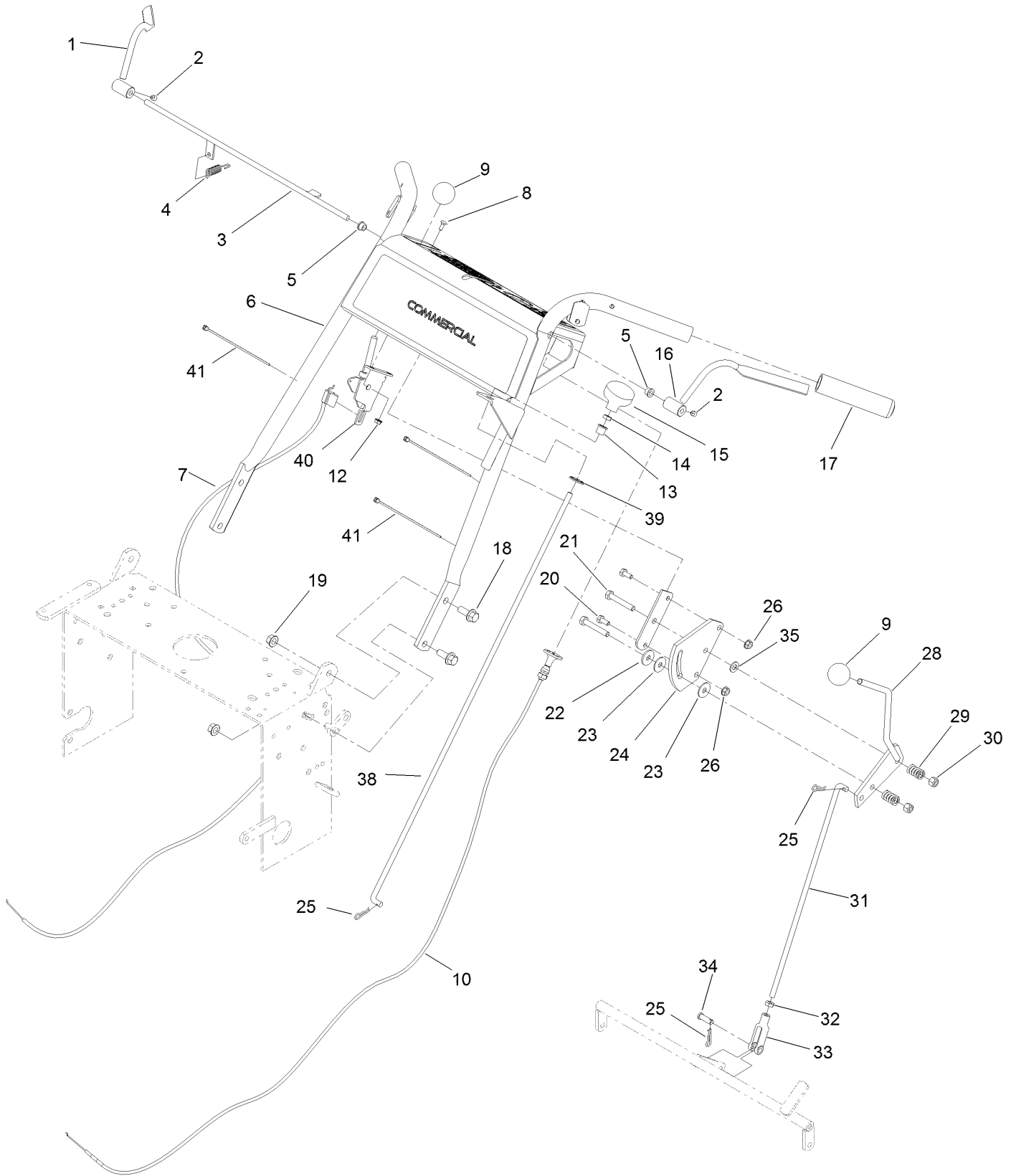
Lower Control Assembly



Lower Control Assembly (continued)

<i>Ref.</i>	<i>Part Number</i>	<i>Qty.</i>	<i>Description</i>	<i>Ref.</i>	<i>Part Number</i>	<i>Qty.</i>	<i>Description</i>
1	110-4897-01	2	Shield-Control	25	103-1190-01	1	Shaft-Control, LH
4	1-323197-01	4	Spacer-Shield	26	32151-47	2	Ring-Retaining
5	32128-20	18	Nut-HF	27	103-1235	2	Swivel-Lever, Drive
6	103-4796-01	1	Shaft-Control, RH	28	3256-2	6	Washer-Flat
7	3246-4	2	Screw-Set	29	3220-2	2	Nut-Jam
8	1-413350	2	Link-Control, Speed	30	1-303105	2	Yoke-Adjustable
9	1-403180	2	Screw-HH	31	1-808280	2	Pin-Clevis
10	3219-2	7	Nut-Hex	32	1-806003	2	Pin-Cotter
11	3256-23	7	Washer-Plain	33	3218-2	2	Nut-Jam
12	1-323245	1	Spring-Compression	34	116-3515	2	Screw-HH, Special
13	1-603676	2	Swivel-Adjustable, Short	35	3296-29	2	Nut-Lock, NI
14	1-603903	1	Spacer	36	1-613089	2	Tab-Spring, Extension
15	3272-5	2	Pin-Cotter	37	1-603693	2	Spring-Extension
16	103-3060	1	Knob-Tracking	38	1-633102	2	Bearing-Flange, Side
17	1-412203-01	1	Crank-Control, Speed	39	1-800016	2	Bolt-TAP, HH
18	130-8375	1	Decal-Tracking	40	1-805005	4	Washer-Lock
19	1-603737	2	Bolt-Return, Neutral	41	323-16	8	Screw-HH
20	3290-357	8	Nut-HHF, Whiz	42	322-3	4	Screw-HH
21	3256-24	2	Washer-Flat	43	1-323195-01	4	Spacer-Shield
22	1-809056	2	Screw-HSH	44	302-19	2	Fitting-Grease
23	1-603807	2	Spring-Return, Neutral	45	1-413219	2	Rod-Lever, Drive
24	1-603735	2	Bushing-Flanged				

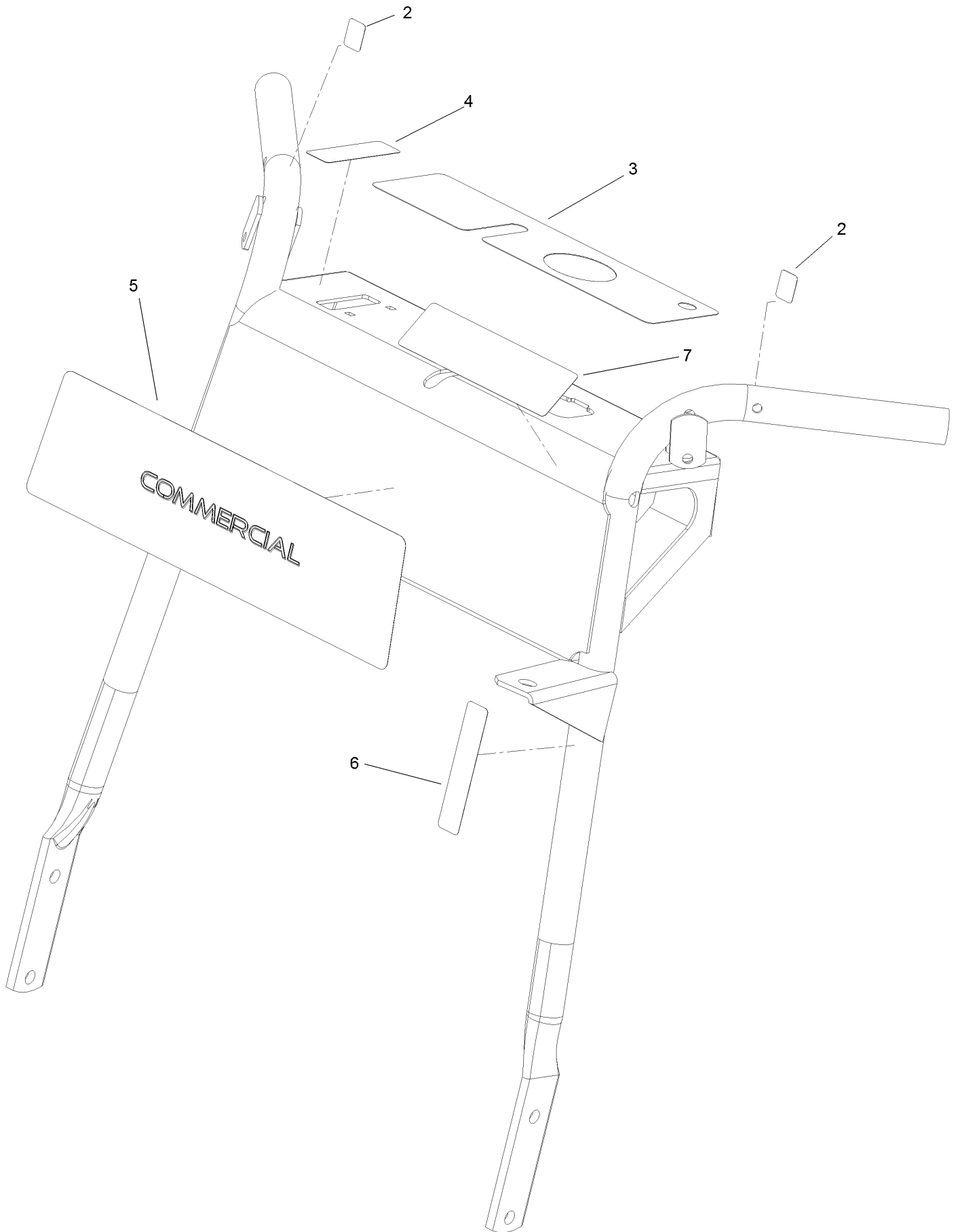
Control Handle Assembly



Control Handle Assembly (continued)

<i>Ref.</i>	<i>Part Number</i>	<i>Qty.</i>	<i>Description</i>	<i>Ref.</i>	<i>Part Number</i>	<i>Qty.</i>	<i>Description</i>
1	106-5486	1	RH Operator Presence Control Lever ASM	19	32128-21	4	Nut-HF
2	1-803322	2	Screw-Set	20	321-3	2	Screw-HH
3	106-2717-03	1	Rod-Control, Operator Presence	21	322-10	2	Screw-HH
4	1-303363	1	Spring-Extension	22	1-603716	1	Washer-Friction
5	1-303365	2	Bushing-Nylon	23	1-323244	2	Washer-Friction
6	119-6671	1	Handle ASM	24	1-603730	1	Plate-Lever, Shifter
7	119-6680	1	Cable-Control	25	1-806003	3	Pin-Cotter
8	1-807513	2	Bolt-CARR	26	32128-33	2	Nut-HF
9	1-603175	2	Knob-Ball	28	106-2748	1	Lever-Shift
10	119-6679	1	Control, Choke	29	1-323245	2	Spring-Compression
12	32128-17	2	Nut-Lock, Flange	30	3296-29	2	Nut-Lock, NI
13	1-323143	1	Bearing-Nylon	31	1-323522	1	Rod-Control, Speed
14	3218-2	1	Nut-Jam	32	3220-2	1	Nut-Jam
15	1-323134	1	Knob-Push / Pull	33	1-303105	1	Yoke-Adjustable
16	106-5485	1	LH Operator Presence Control Lever ASM	34	1-808280	1	Pin-Clevis
17	104-9838	2	Grip-Foam	35	3256-23	1	Washer-Plain
18	3234-11	4	Screw-HHF	38	1-323181	1	Linkage-Blade
				39	1-323142	1	Nut-Push
				40	110-5547	1	Lever-Control
				41	1-303287	3	Tie-Cable

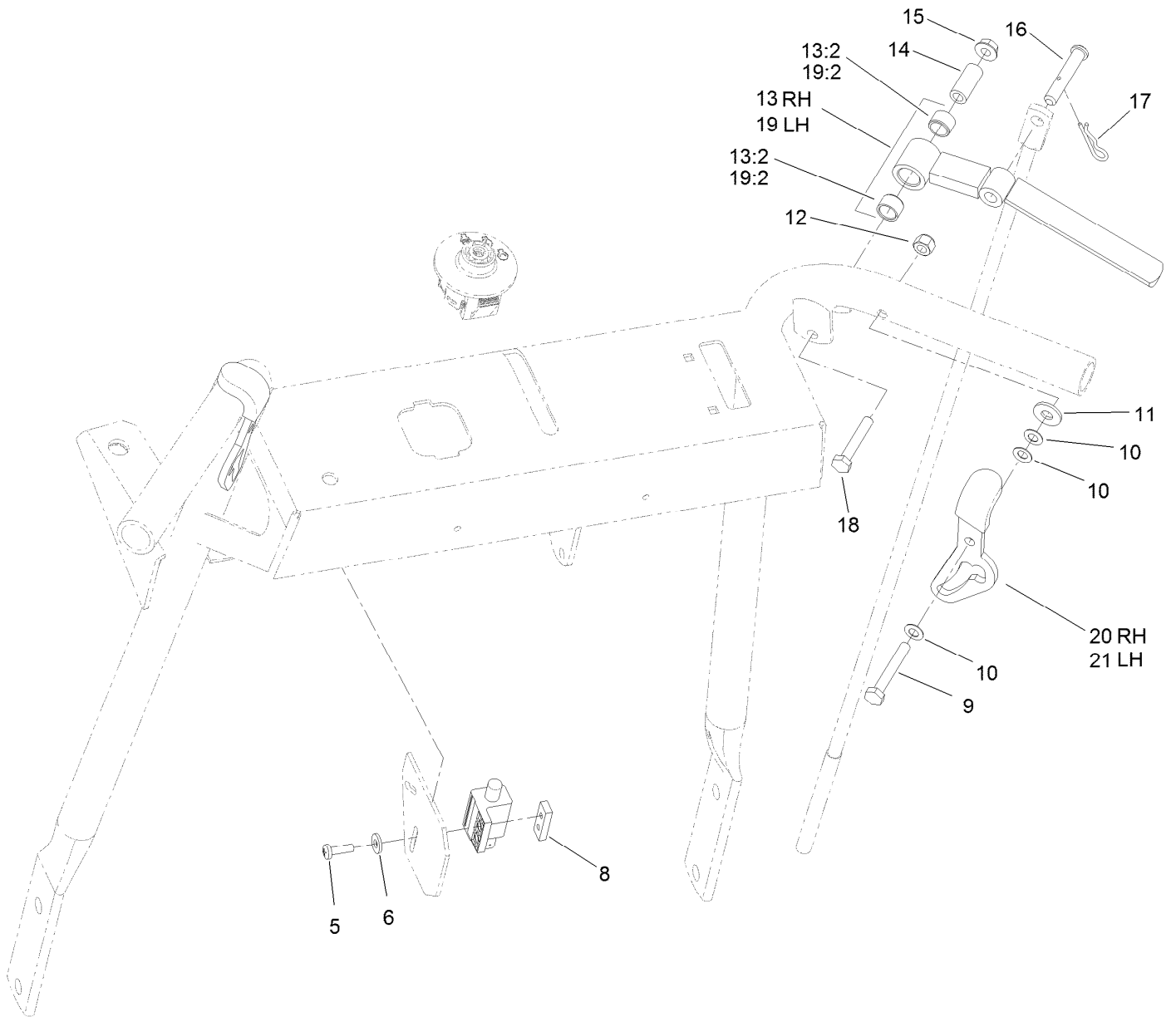
Control Panel Decal Assembly



Control Panel Decal Assembly (continued)

<i>Ref.</i>	<i>Part Number</i>	<i>Qty.</i>	<i>Description</i>	<i>Ref.</i>	<i>Part Number</i>	<i>Qty.</i>	<i>Description</i>
2	130-8370	2	Decal-Lock,Neutral	5	110-6917	1	Decal
3	119-6672	1	Decal-Control Panel	6	95-5537	1	Decal-Engage, Deck
4	106-2733	1	Decal-Throttle	7	95-5852	1	Decal - Slope, Int'l

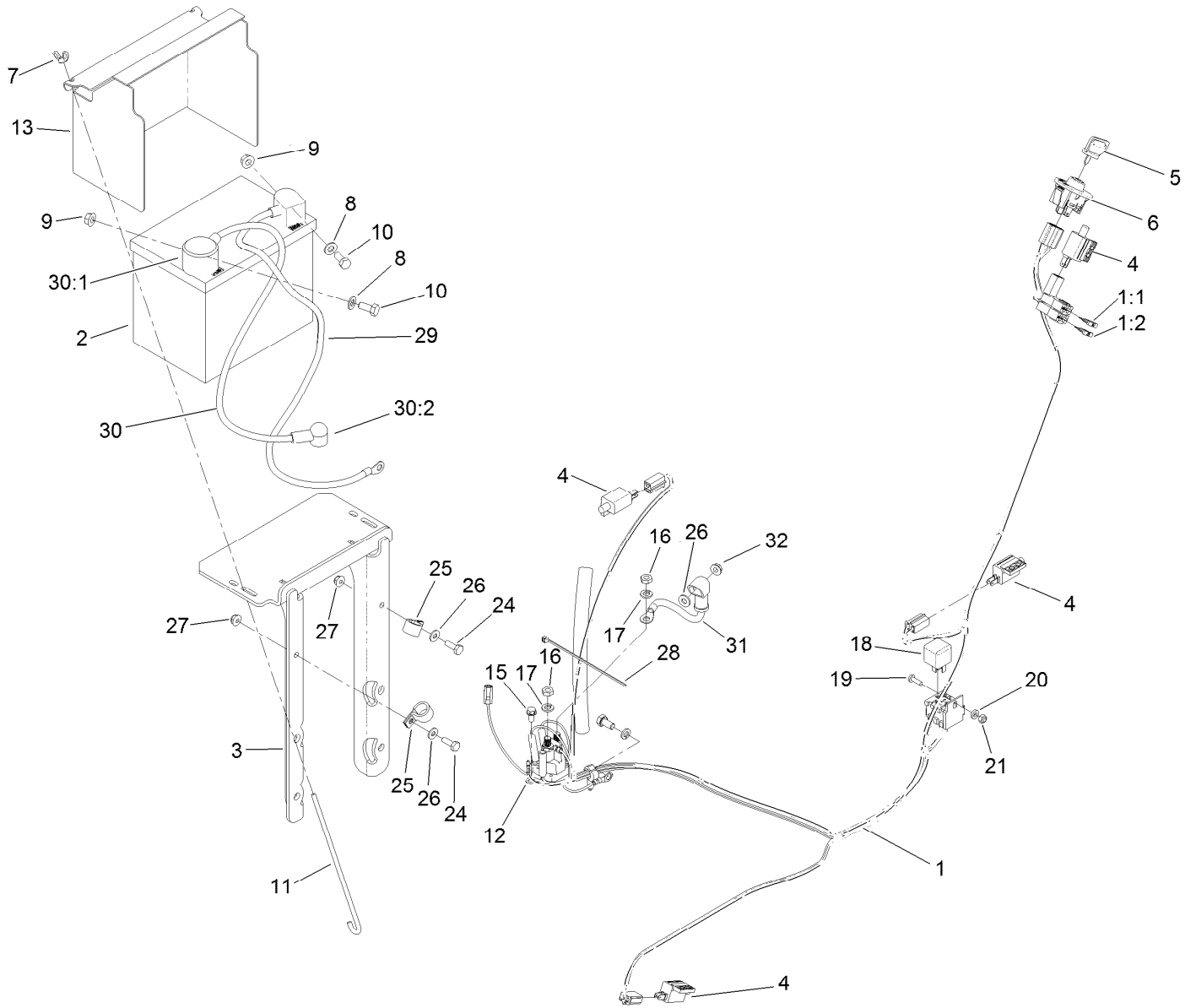
Upper Handle Assembly



Upper Handle Assembly (continued)

<i>Ref.</i>	<i>Part Number</i>	<i>Qty.</i>	<i>Description</i>	<i>Ref.</i>	<i>Part Number</i>	<i>Qty.</i>	<i>Description</i>
5	3290-500	2	Screw-PPH	14	1-603749	2	Bushing-Lever, Drive
6	3256-14	1	Washer-Flat	15	32128-33	2	Nut-HF
8	1-633181	1	Plate-Tapped	16	1-613055	2	Pin-Clevis
9	321-10	2	Screw-HH	17	1-806003	2	Pin-Cotter
10	1-303435	6	Washer-Spring	18	321-9	2	Screw-HH
11	3256-2	2	Washer-Flat	19	103-0218	1	LH Drive Lever ASM
12	3296-42	2	Nut-Lock, NI	19:2	1-413152	2	Bushing-Sleeve
13	103-0219	1	RH Drive Lever ASM	20	137-9514	1	Latch-RH Thumb,W/Grip
13:2	1-413152	2	Bushing-Sleeve	21	137-9515	1	Latch-LH Thumb,W/Grip

Harness and Battery Assembly



Harness and Battery Assembly (continued)

<i>Ref.</i>	<i>Part Number</i>	<i>Qty.</i>	<i>Description</i>	<i>Ref.</i>	<i>Part Number</i>	<i>Qty.</i>	<i>Description</i>
1	119-6667	1	Harness-Wire	17	3253-4	2	Washer-Lock
1:1	109103	1	Fuse-Blade, 30 Amp	18	98-7249	1	Relay
1:2	109102	1	Fuse-Blade, 25 Amp	19	3290-500	1	Screw-PPH
2	104-8162	1	Battery-Dry	20	99-3058	1	Washer
3	119-6666-03	1	Tray-Battery	21	3296-2	1	Nut-Lock, NI
4	1-513051	4	Switch-Open, Normally	24	321-4	2	Screw-HH
5	63-8360	1	Key-Ignition	25	2412-87	2	Clamp-Cable
6	137-4100	1	Switch-Ignition	26	3256-22	2	Washer-Flat
7	1-543792	2	Wingnut	27	104-7201	2	Nut-HF
8	3256-23	2	Washer-Plain	28	1-303287	1	Tie-Cable
9	109-5715	2	Nut-HHF, Smooth	29	117-6422	1	Cable-Battery, Black
10	322-3	2	Screw-HH	30	109-7653	1	Positive Battery Cable ASM
11	1-633651	2	Bolt-Holddown	30:1	109-2407	1	Insulator-Battery
12	117-1197	1	Solenoid	30:2	1-543393	1	Insulator-Solenoid
13	117-0543-01	1	Cover-Battery	31	106-8268	1	Cable-Battery, Red
15	32144-4	2	Screw-HWH	32	32128-33	1	Nut-HF
16	3220-2	2	Nut-Jam				

Attachments and Accessories

For 31914 Commercial Walk-Behind Traction Unit 18HP Pistol-Grip Hydro Drive

Product Name	Model/Part
All Season Synthetic Oil.....	117-0066
Toro 4-cycle SAE 30 Oil (32oz Bottle)	38903
48in (122cm) Mid-Size Rear-Discharge Deck	02712
36in (92cm) Mid-Size Rear-Discharge Deck	02711
Cleated Tire Kit	02930
Dual Wheel Kit	02931
Weight Kit	110-2085
Sulky	30109
Narrow Wheel Kit	02932
32in (82cm) Mid-Size Rear-Discharge Deck	02710
36in (92cm) Mid-Size Flail Attachment	02720
Spark Plug	92-2153
Oil Filter	119-5852
Filter-fuel.....	120-2235
Element-Filter, Air	120-7447
Turfmaster Wheel Kit	02929

Notes:

Notes:

Notes:



Count on it.