



Count on it.

Parts Catalog

Service Kit
1P92F1 Engine
Model No. 133-9973



Ordering Replacement Parts

To order replacement parts, please supply the part number, the quantity, and the description of each part desired.

Understanding Reference Numbers

Each identified part in an illustration has a reference number. The reference number for a part also appears in the parts list, along with other information about the part.

This catalog uses two special reference number formats, one to indicate parts in a service assembly and another to indicate the quantity of a given part in an illustration.

Service Assembly Reference Numbers

Parts in service assemblies have reference numbers in the form a:b. The a represents the reference number of the entire service assembly and the b represents a sequential number unique to each part within the service assembly.

For example, a wheel assembly might be identified by reference number 6, the tire by 6:1, the valve by 6:2, and the wheel by 6:3. When you order the assembly identified by reference number 6, you receive all parts identified by reference numbers 6:1, 6:2, and 6:3. However, you may also order any part individually. Reference numbers of this type appear in illustration and in parts lists.

Reference Numbers Indicating Quantity

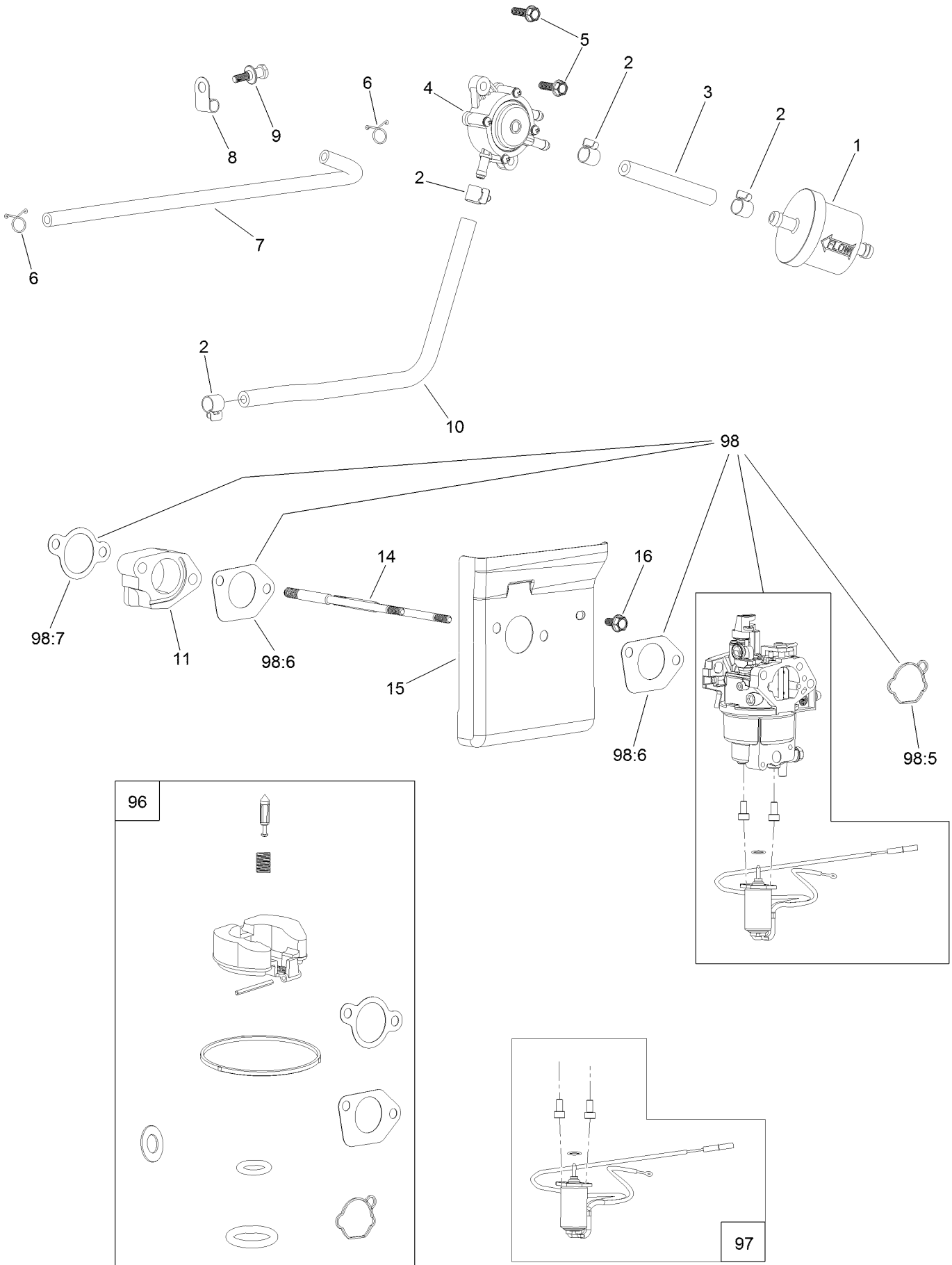
In an illustration, if a reference number indicates more than one part, the reference number has the form nX y. The n represents the quantity of the part, the X is the multiplication symbol, and the y represents the reference number.

For example, in an illustration, the reference number 2X 37 means that two of the parts identified by reference number 37 are indicated.

Contents

Fuel System Assembly	4
Air Intake and Filtration Assembly	6
Ignition and Electrical Assembly	8
Crankcase Assembly	10
Governor Control Assembly	12
Piston and Cylinder Head Assembly	14
Blower Housing Assembly	16
Gasket and Seal Kit	18

Fuel System Assembly

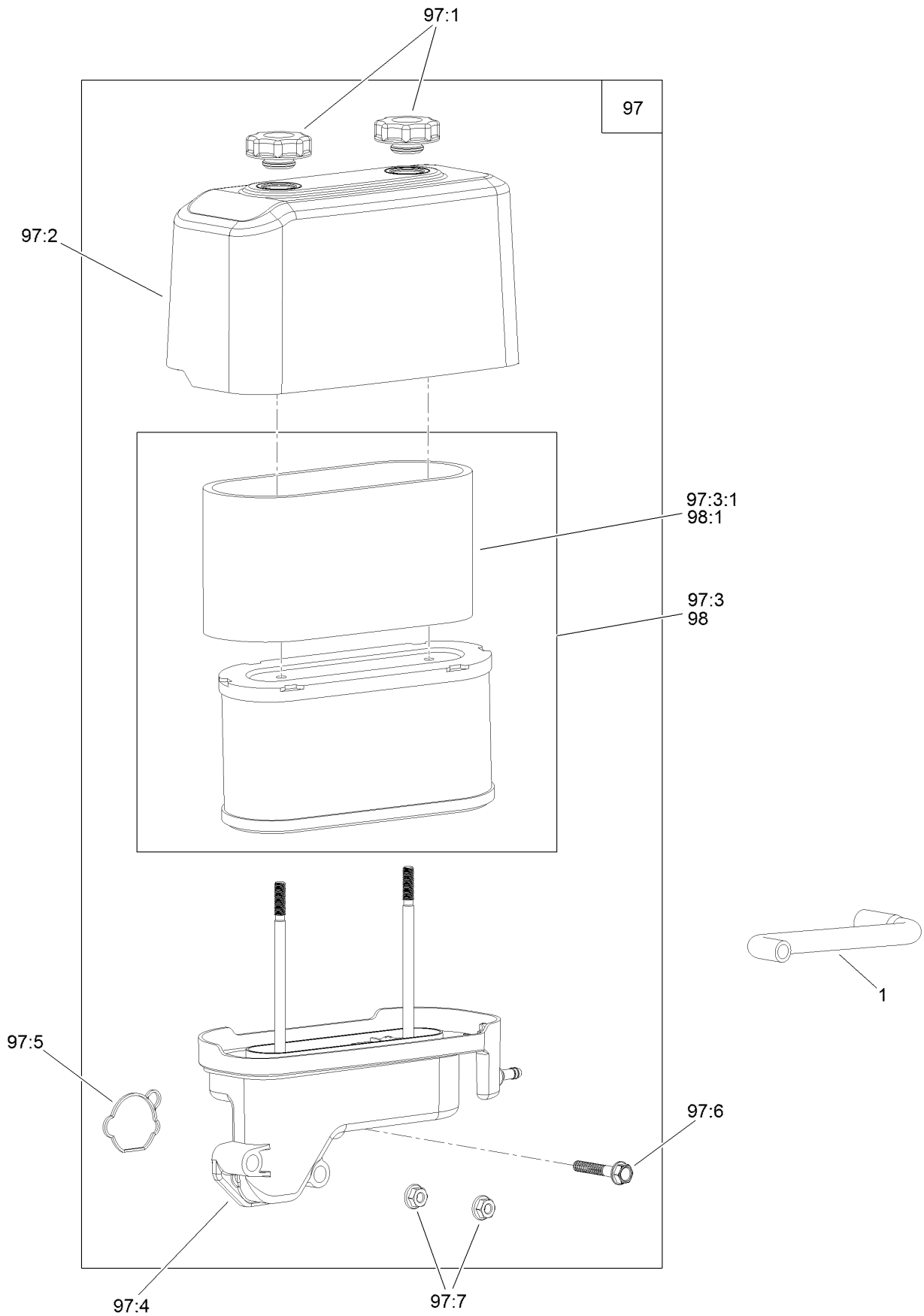


Fuel System Assembly (continued)

<i>Ref.</i>	<i>Part Number</i>	<i>Qty.</i>	<i>Description</i>	<i>Ref.</i>	<i>Part Number</i>	<i>Qty.</i>	<i>Description</i>
1	133-1563	1	Filter-Fuel	14	120-4202	2	Stud-Mount, Carburetor
2	120-4251	4	Clamp-Fuel Line	15	120-4248	1	Shield-Heat
3	120-4371	1	Line-Fuel	16	120-4216	1	Screw-HHF
4	120-4353	1	Pump-Pulse, Fuel	96	127-9194	1	Carb Repair Kit With Gaskets
5	120-4232	2	Screw-HHF	97	127-9190	1	Solenoid Kit
6	121-0114	2	Clamp-Hose	98	136-7826	1	Carburetor Kit
7	136-7830	1	Line-Pulse	98:5	127-9185	1	Gasket-Carburetor
8	120-4287	1	Clamp-J	98:6	120-4247	2	Gasket-Carburetor
9	120-4217	1	Screw-Shoulder, HH	98:7	120-4250	1	Gasket-Carburetor
10	120-4370	1	Line-Fuel	99	133-9929	1	High Altitude Kit ●
11	120-4249	1	Insulator-Carburetor				

● Not illustrated

Air Intake and Filtration Assembly

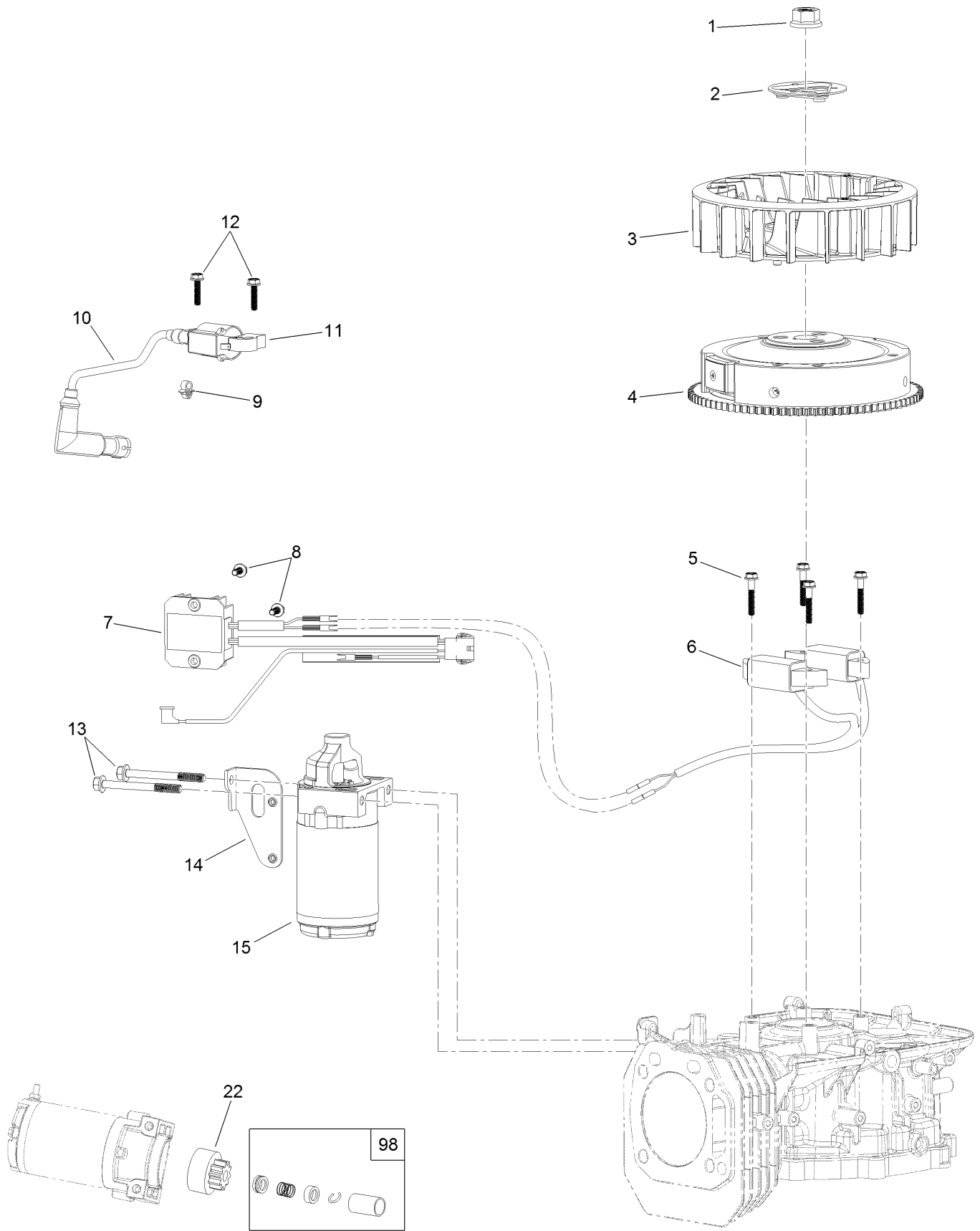


Air Intake and Filtration Assembly (continued)

<i>Ref.</i>	<i>Part Number</i>	<i>Qty.</i>	<i>Description</i>
1	136-7829	1	Tube-Breather
97	136-7814	1	Air Filter ASM
97:1	120-4312	2	Nut-Speed
97:2	120-4311	1	Cover-Filter, Air
97:3	136-7809	1	Air Filter Kit
97:3:1	136-7807	1	Prefilter

<i>Ref.</i>	<i>Part Number</i>	<i>Qty.</i>	<i>Description</i>
97:4	127-9191	1	Base-Filter, Air
97:5	127-9185	1	Gasket-Carburetor
97:6	120-4284	1	Screw-HHF
97:7	120-4236	2	Nut-Flange
98	136-7809	1	Air Filter Kit
98:1	136-7807	1	Prefilter

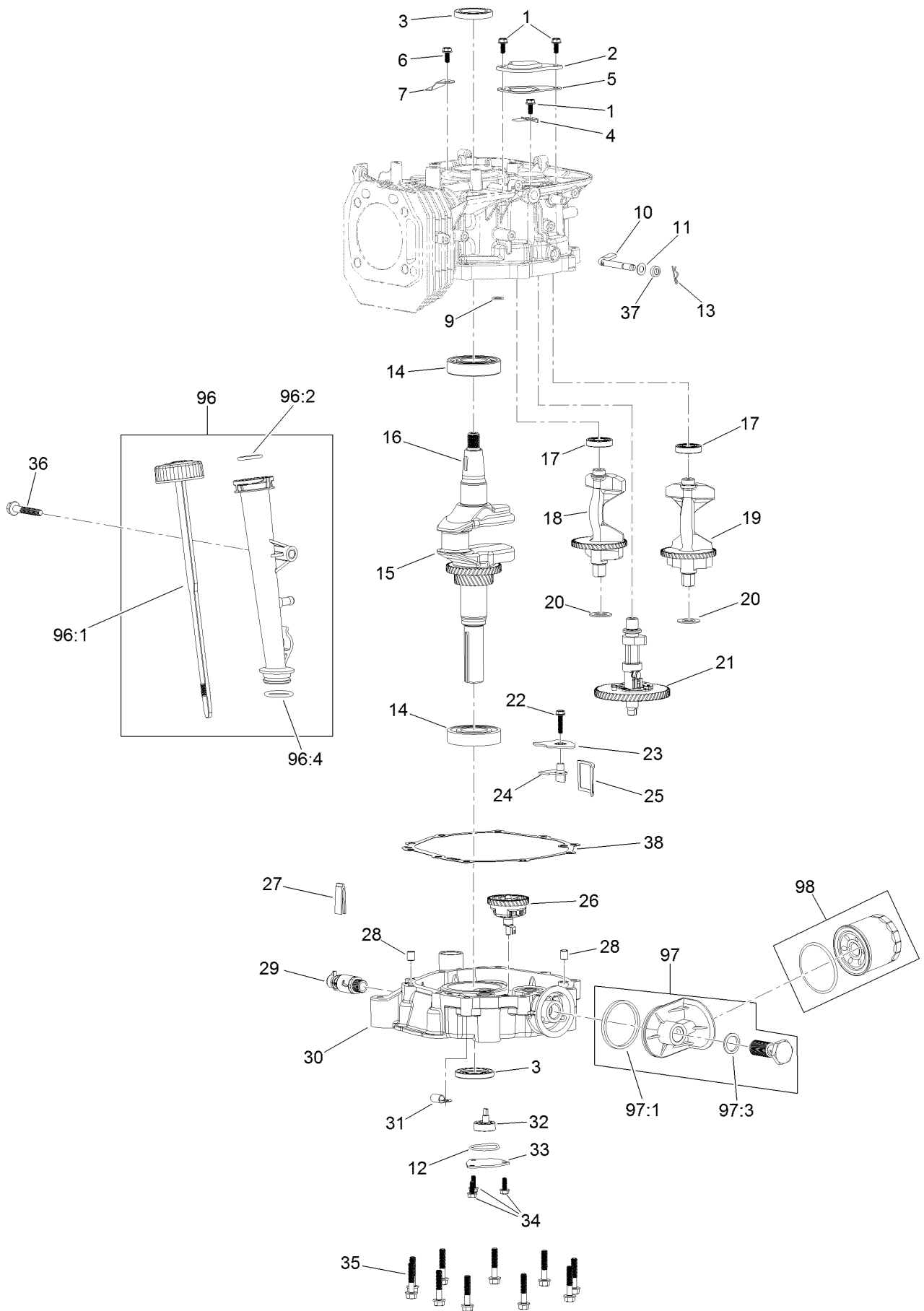
Ignition and Electrical Assembly



Ignition and Electrical Assembly (continued)

<i>Ref.</i>	<i>Part Number</i>	<i>Qty.</i>	<i>Description</i>	<i>Ref.</i>	<i>Part Number</i>	<i>Qty.</i>	<i>Description</i>
1	120-4213	1	Nut-Flange	10	120-4226	1	Boot-Plug, Spark
2	120-4212	1	Pulley-Starter	11	136-7831	1	Ignition Coil ASM
3	120-4211	1	Fan-Cooling	12	120-4225	2	Screw-HHF
4	120-4399	1	Flywheel	13	120-4231	2	Screw-HHF
5	120-4223	4	Screw-HHF	14	120-4230	1	Bracket-Starter
6	136-7833	1	Alternator	15	136-7832	1	Motor-Starter
7	136-7836	1	Voltage Regulator	22	133-1562	1	Pinion-Starter
8	120-4216	3	Screw-HHF	98	120-4392	1	Starter Repair Kit
9	120-4316	1	Clamp-Wire				

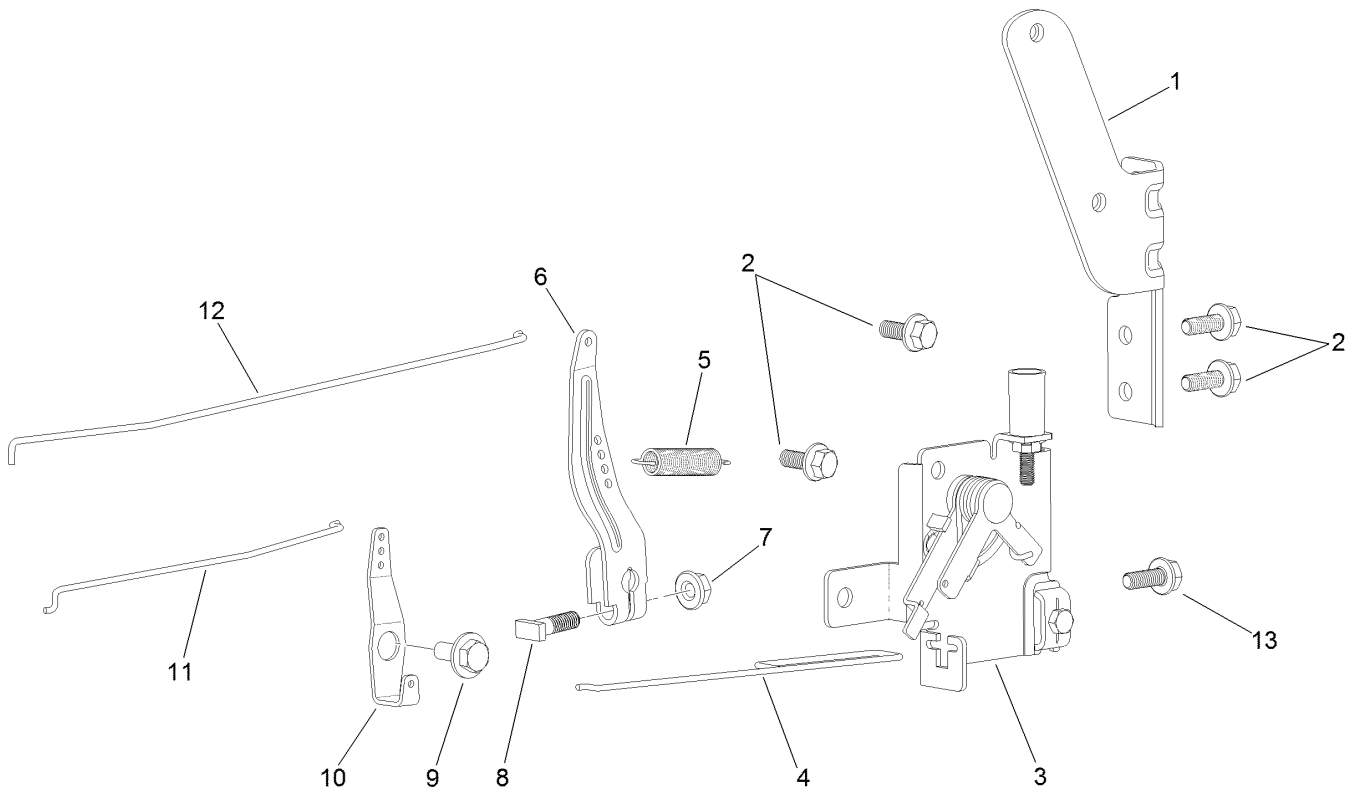
Crankcase Assembly



Crankcase Assembly (continued)

<i>Ref.</i>	<i>Part Number</i>	<i>Qty.</i>	<i>Description</i>	<i>Ref.</i>	<i>Part Number</i>	<i>Qty.</i>	<i>Description</i>
1	120-4216	3	Screw-HHF	25	120-4341	1	Strainer-Oil
2	120-4265	1	Plate-Breather	26	136-7834	1	Gear-Governor
3	120-4267	2	Seal-Oil	27	120-4275	1	Deflector-Oil, Rubber
4	120-4263	1	Valve-Reed	28	120-4274	2	Pin-Dowel
5	120-4264	1	Gasket-Breather	29	120-4321	1	Valve-Drain, Oil
6	120-4234	1	Screw-HHF	30	136-7828	1	Cover-Crankcase
7	120-4268	1	Retainer	31	127-9188	1	Clamp-Hose
9	120-4262	1	O-Ring	32	120-4344	1	Oil Pump ASM
10	136-7887	1	Shaft-Governor	33	120-4270	1	Cover-Pump, Oil
11	120-4258	1	Washer-Plain	34	120-4232	3	Screw-HHF
12	120-4343	1	Seal-Pump, Oil	35	120-4273	10	Screw-HHF
13	120-4256	1	Pin-Hair	36	120-4284	1	Screw-HHF
14	120-4261	2	Bearing-Ball	37	120-4257	1	Seal-Oil
15	120-4293	1	Crankshaft	38	120-4260	1	Gasket-Crankcase
16	120-4320	1	Key-Woodruff	96	120-4355	1	Dipstick And Tube Kit
17	120-4266	2	Bearing-Ball	96:1	120-4350	1	Dipstick ASM
18	127-9179	1	Shaft-Balance, R	96:2	120-4348	1	O-Ring
19	127-9180	1	Shaft-Balance, L	96:4	120-4282	1	O-Ring
20	136-7886	2	Washer	97	120-4363	1	Oil Adaptor Kit
21	120-4297	1	Camshaft	97:1	120-4362	1	Seal-Adaptor, Oil
22	120-4225	1	Screw-HHF	97:3	120-4360	1	Washer-Filter, Oil
23	120-4342	1	Cover-Strainer, Oil	98	136-7848	1	Filter-Oil
24	120-4279	1	Plate-Baffle, Oil				

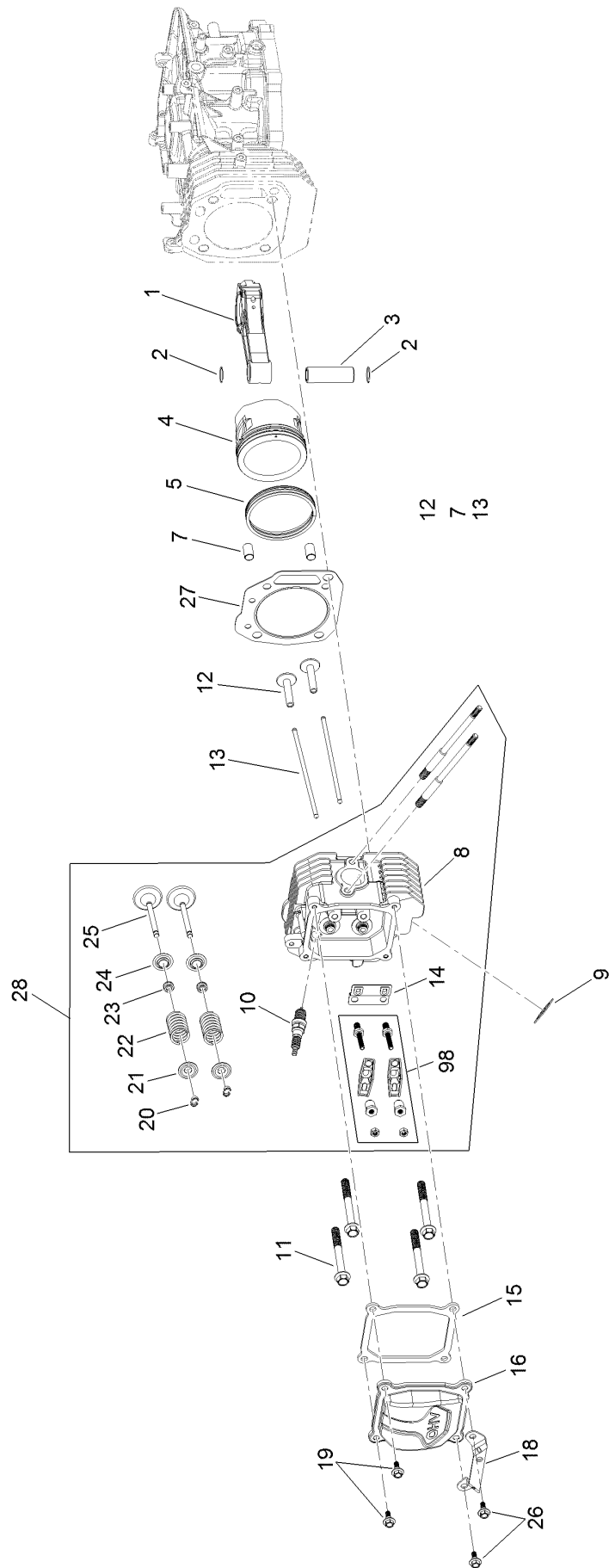
Governor Control Assembly



Governor Control Assembly (continued)

<i>Ref.</i>	<i>Part Number</i>	<i>Qty.</i>	<i>Description</i>	<i>Ref.</i>	<i>Part Number</i>	<i>Qty.</i>	<i>Description</i>
1	120-4357	1	Bracket-Pump, Fuel	8	120-4238	1	Bolt-Arm, Governor
2	120-4234	4	Screw-HHF	9	120-4241	1	Screw-Shoulder, HHF
3	120-4358	1	Control-Throttle	10	120-4242	1	Bellcrank-Choke
4	120-4243	1	Rod-Throttle	11	120-4240	1	Rod-Choke
5	120-4337	1	Spring-Governor	12	120-4239	1	Rod-Governor
6	120-4237	1	Arm-Governor	13	120-4232	1	Screw-HHF
7	120-4236	1	Nut-Flange				

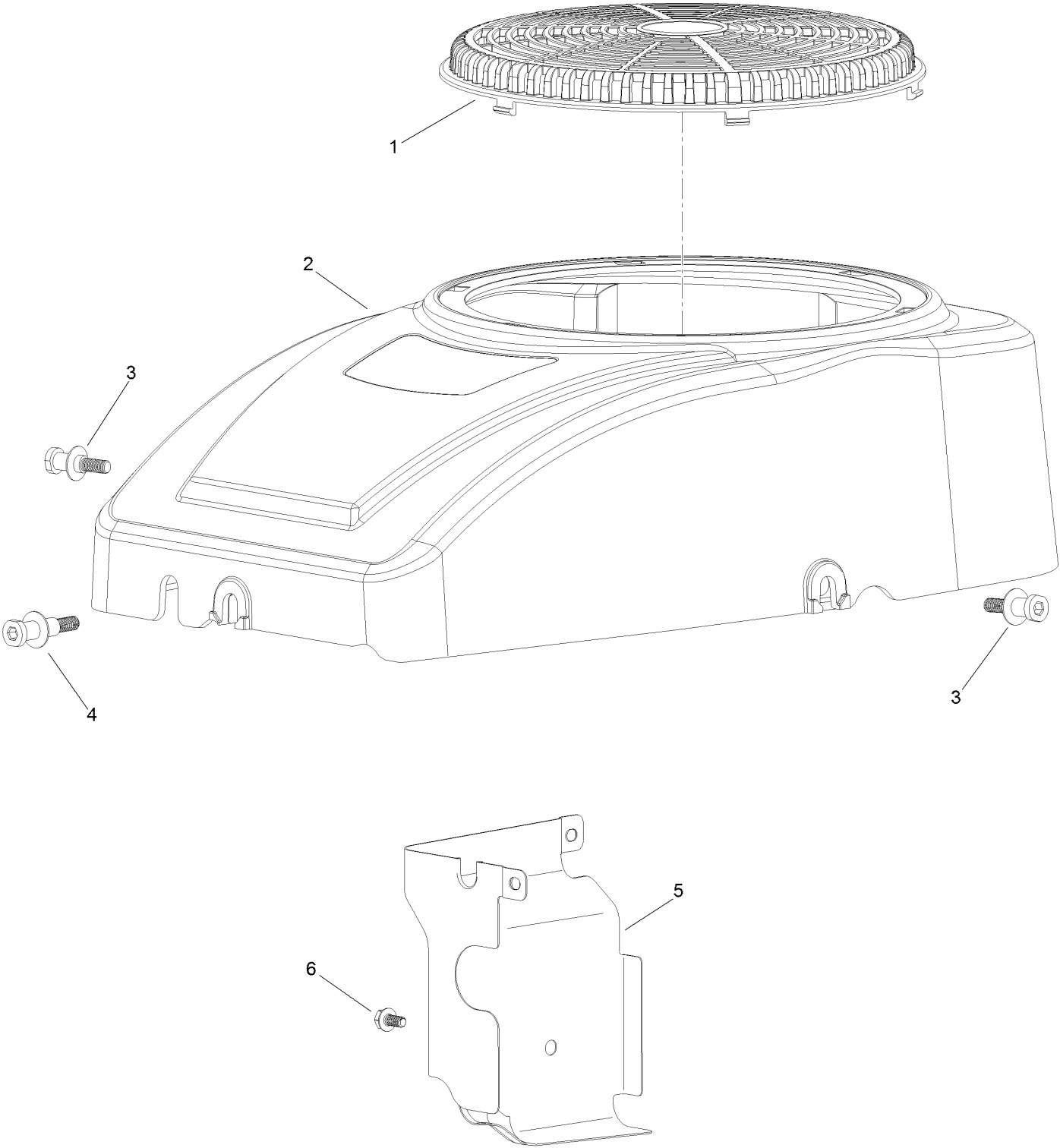
Piston and Cylinder Head Assembly



Piston and Cylinder Head Assembly (continued)

<i>Ref.</i>	<i>Part Number</i>	<i>Qty.</i>	<i>Description</i>	<i>Ref.</i>	<i>Part Number</i>	<i>Qty.</i>	<i>Description</i>
1	120-4292	1	Connecting Rod ASM	16	120-4207	1	Cover-Valve
2	120-4288	2	Ring-Retaining, Piston Pin	18	120-4345	1	Bracket-Muffler
3	120-4291	1	Pin-Piston	19	120-4209	2	Screw-Shoulder, HHF
4	120-4290	1	Piston	20	120-4307	4	Keeper-Valve
5	120-4289	1	Ring Set	21	120-4306	2	Retainer-Spring, Valve
7	120-4200	2	Pin-Dowel	22	120-4305	2	Spring-Valve
8	120-4203	1	Head-Cylinder	23	120-4304	2	Seal-Stem, Valve
9	120-4317	1	Gasket-Exhaust	24	120-4303	2	Seat-Spring, Valve
10	77-7330	1	Plug-Spark	25	120-4302	2	Valve Set
11	120-4205	4	Screw-HHF	26	120-4210	2	Screw-Shoulder, HHF
12	120-4298	2	Lifter-Valve	27	120-4201	1	Gasket-Cylinder
13	120-4340	2	Rod-Push	28	136-7888	1	Complete Head ASM
14	120-4300	1	Plate-Guide, Push Rod	98	136-7885	1	Rocker Arm Kit
15	120-4206	1	Gasket-Cover, Valve				

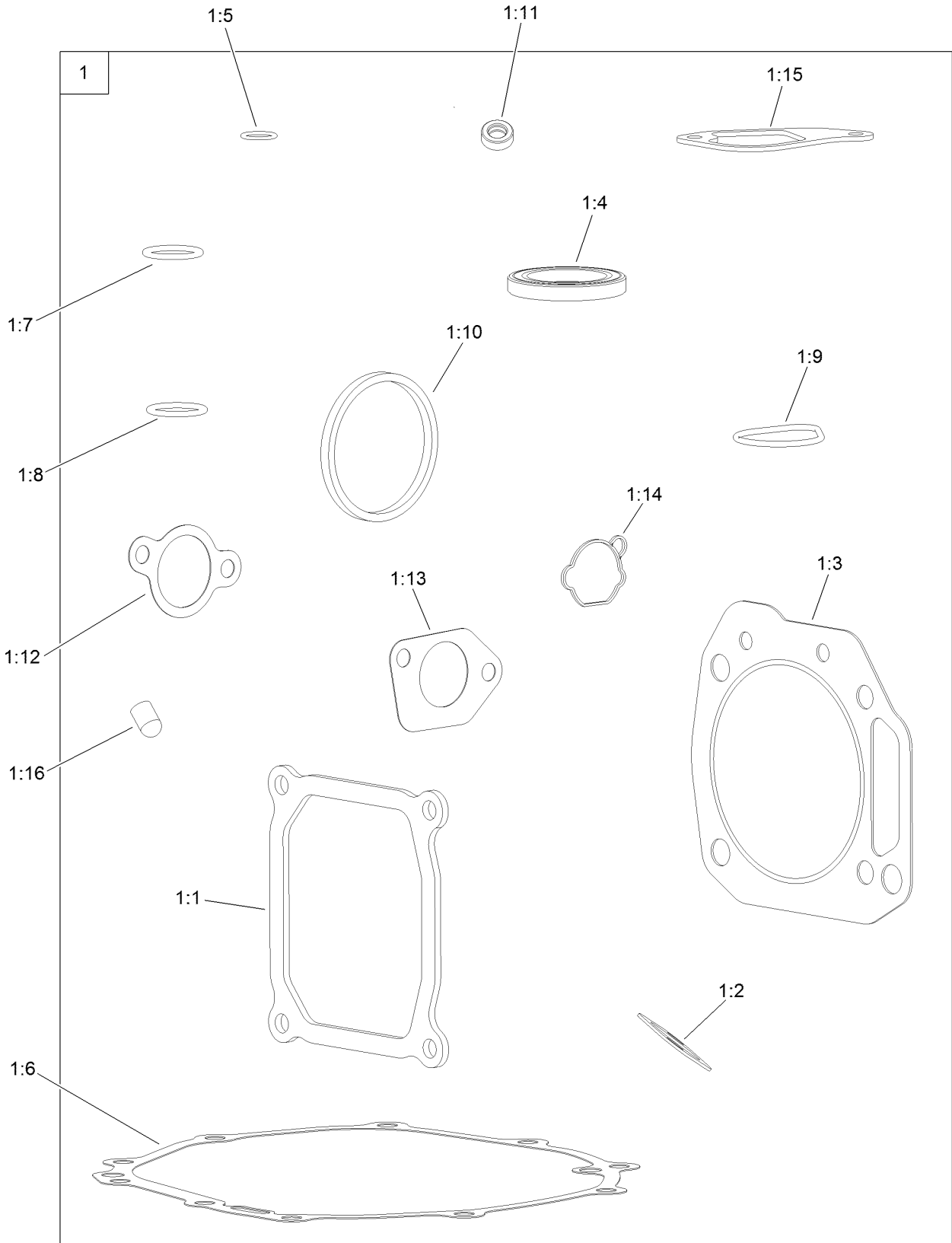
Blower Housing Assembly



Blower Housing Assembly (continued)

<i>Ref.</i>	<i>Part Number</i>	<i>Qty.</i>	<i>Description</i>	<i>Ref.</i>	<i>Part Number</i>	<i>Qty.</i>	<i>Description</i>
1	120-4219	1	Screen-Stationary	4	120-4214	1	Screw-Shoulder, HH
2	120-4218	1	Shroud-Fan	5	120-4215	1	Shield
3	120-4217	2	Screw-Shoulder, HH	6	120-4216	1	Screw-HHF

Gasket and Seal Kit



Gasket and Seal Kit (continued)

<i>Ref.</i>	<i>Part Number</i>	<i>Qty.</i>	<i>Description</i>	<i>Ref.</i>	<i>Part Number</i>	<i>Qty.</i>	<i>Description</i>
1	127-9192	1	Gasket And Seal Kit	1:9	120-4343	1	Seal-Pump, Oil
1:1	120-4206	1	Gasket-Cover, Valve	1:10	120-4362	1	Seal-Adaptor, Oil
1:2	120-4317	1	Gasket-Exhaust	1:11	120-4257	1	Seal-Oil
1:3	120-4201	1	Gasket-Cyclinder	1:12	120-4250	1	Gasket-Carburetor
1:4	120-4267	2	Seal-Oil	1:13	120-4247	2	Gasket-Carburetor
1:5	120-4262	1	O-Ring	1:14	127-9185	1	Gasket-Carburetor
1:6	120-4260	1	Gasket-Crankcase	1:15	120-4264	1	Gasket-Breather
1:7	120-4348	1	O-Ring	1:16	127-9189	1	Cap-Seal
1:8	120-4282	1	O-Ring				



Count on it.