



**Count on it.**

**Parts Catalog**

**Power Max<sup>®</sup> Heavy Duty 928  
OHXE Snowthrower**

Model No. 38801—Serial No. 40000000 and Up



# Ordering Replacement Parts

To order replacement parts, please supply the part number, the quantity, and the description of each part desired.

## Understanding Reference Numbers

Each identified part in an illustration has a reference number. The reference number for a part also appears in the parts list, along with other information about the part.

This catalog uses two special reference number formats, one to indicate parts in a service assembly and another to indicate the quantity of a given part in an illustration.

## Service Assembly Reference Numbers

Parts in service assemblies have reference numbers in the form a:b. The a represents the reference number of the entire service assembly and the b represents a sequential number unique to each part within the service assembly.

For example, a wheel assembly might be identified by reference number 6, the tire by 6:1, the valve by 6:2, and the wheel by 6:3. When you order the assembly identified by reference number 6, you receive all parts identified by reference numbers 6:1, 6:2, and 6:3. However, you may also order any part individually. Reference numbers of this type appear in illustration and in parts lists.

## Reference Numbers Indicating Quantity

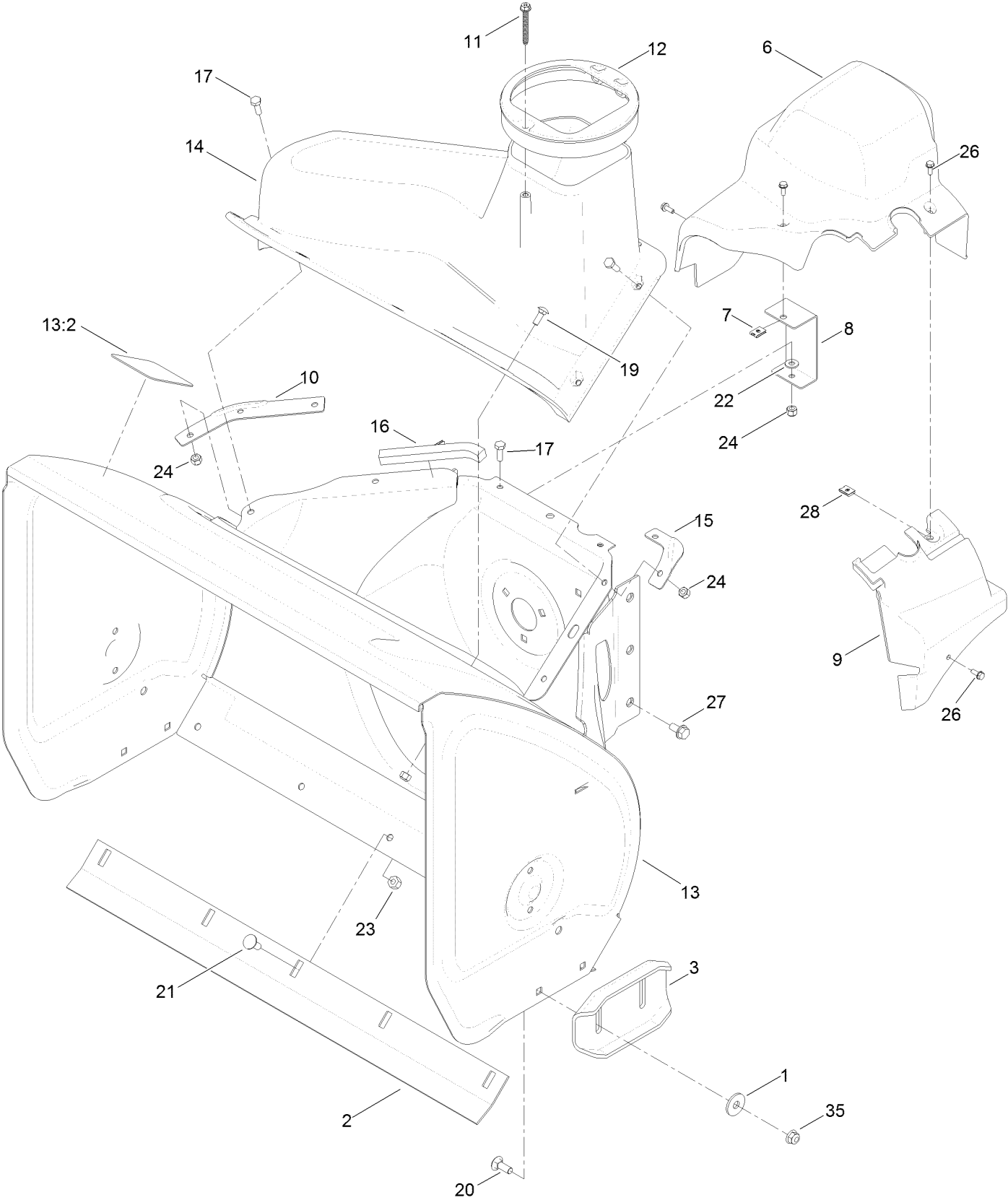
In an illustration, if a reference number indicates more than one part, the reference number has the form nX y. The n represents the quantity of the part, the X is the multiplication symbol, and the y represents the reference number.

For example, in an illustration, the reference number 2X 37 means that two of the parts identified by reference number 37 are indicated.

# Contents

Main Frame Assembly . . . . .	4
Housing Assembly . . . . .	6
Idler and Linkage Assembly . . . . .	8
Auger and Impeller Assembly . . . . .	10
Gear Case Assembly No. 125-7926 . . . . .	12
Impeller Assembly . . . . .	14
Engine and Pulley Assembly . . . . .	16
No. 1 Engine Assembly . . . . .	18
Engine Assembly No. 2 . . . . .	20
Engine Assembly No. 3 . . . . .	22
Engine Decal Assembly . . . . .	24
Chute Assembly . . . . .	26
Lever Chute Control Assembly . . . . .	28
Handle Assembly . . . . .	30
Control Assembly . . . . .	32
Wheel Clutch Assembly . . . . .	34
Wheel Clutch Sprocket Assembly . . . . .	36
Attachments and Accessories . . . . .	38

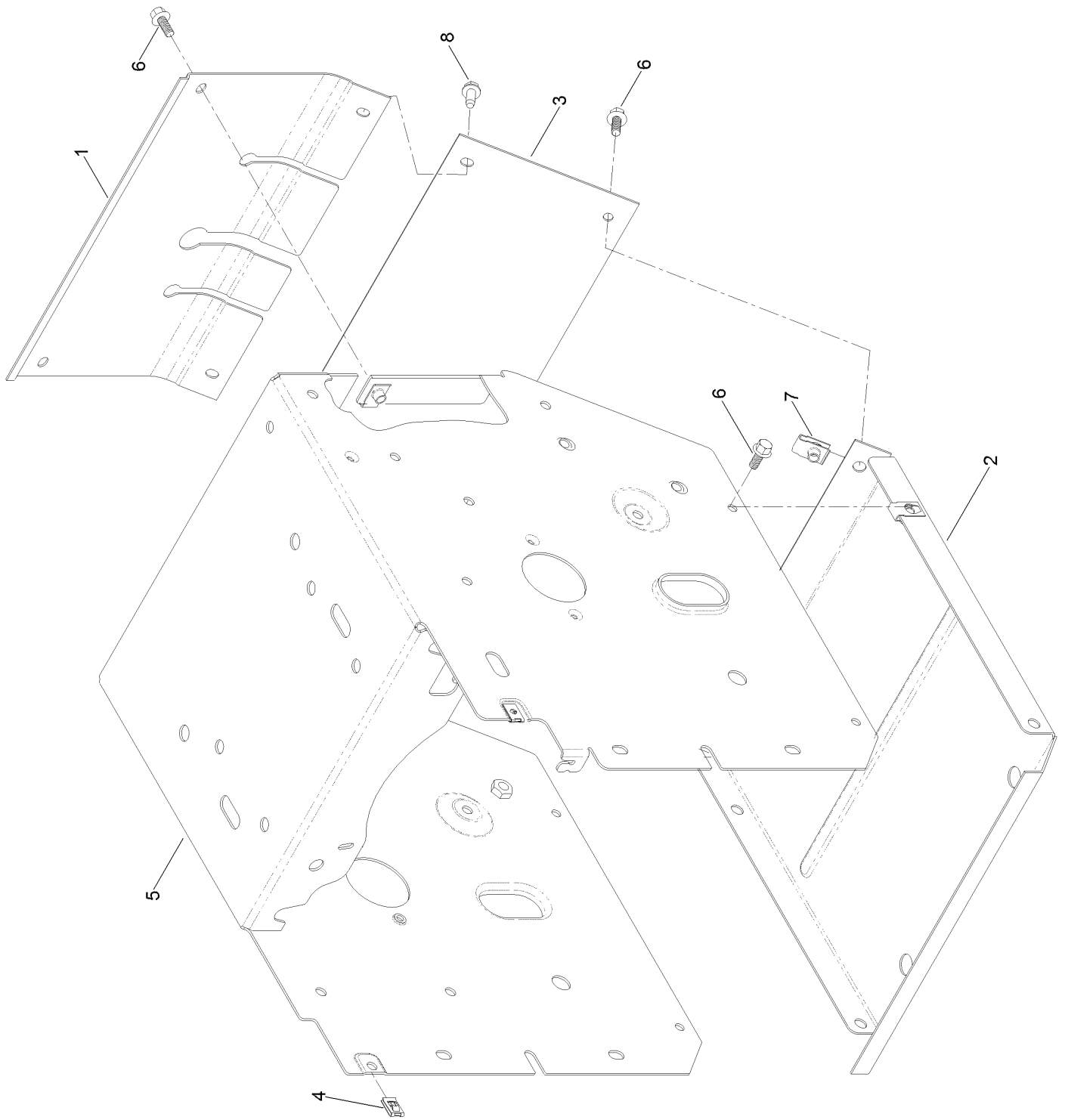
# Main Frame Assembly



## Main Frame Assembly (continued)

<i>Ref.</i>	<i>Part Number</i>	<i>Qty.</i>	<i>Description</i>	<i>Ref.</i>	<i>Part Number</i>	<i>Qty.</i>	<i>Description</i>
1	52-2861	4	Washer	15	108-0039-03	1	Seal
2	106-4573-01	1	Scraper-Fixed	16	120-0124	1	Seal-Housing
3	106-4588-01	2	Skid	17	321-4	7	Screw-HH
6	119-1563	1	Cover-Belt	19	3229-1	4	Bolt-CARR
7	107-1013	1	Nut-Speed, U-Type	20	3230-16	4	Screw-CARR
8	107-1014-03	1	Bracket-Cover, Clip Nut	21	3230-23	5	Screw-CARR
9	107-1016	1	Cover-Extension, Belt	22	3256-22	1	Washer-Flat
10	107-1017-03	1	Seal-Flange, Cover	23	3296-29	5	Nut-Lock, NI
11	114-3751	1	Screw-HWH, Plastite	24	3296-42	11	Nut-Lock, NI
12	107-3006	1	Guide-Chute	26	32144-112	4	Screw-HWH
13	107-3824	1	Housing-Auger, 28 Inch	27	32144-14	6	Screw-HWHTF
13:2	107-3040	1	Decal-Danger, Auger	28	701493	1	Nut-Speed
14	108-0017	1	Cover	35	104-8300	4	Nut-HF, NI

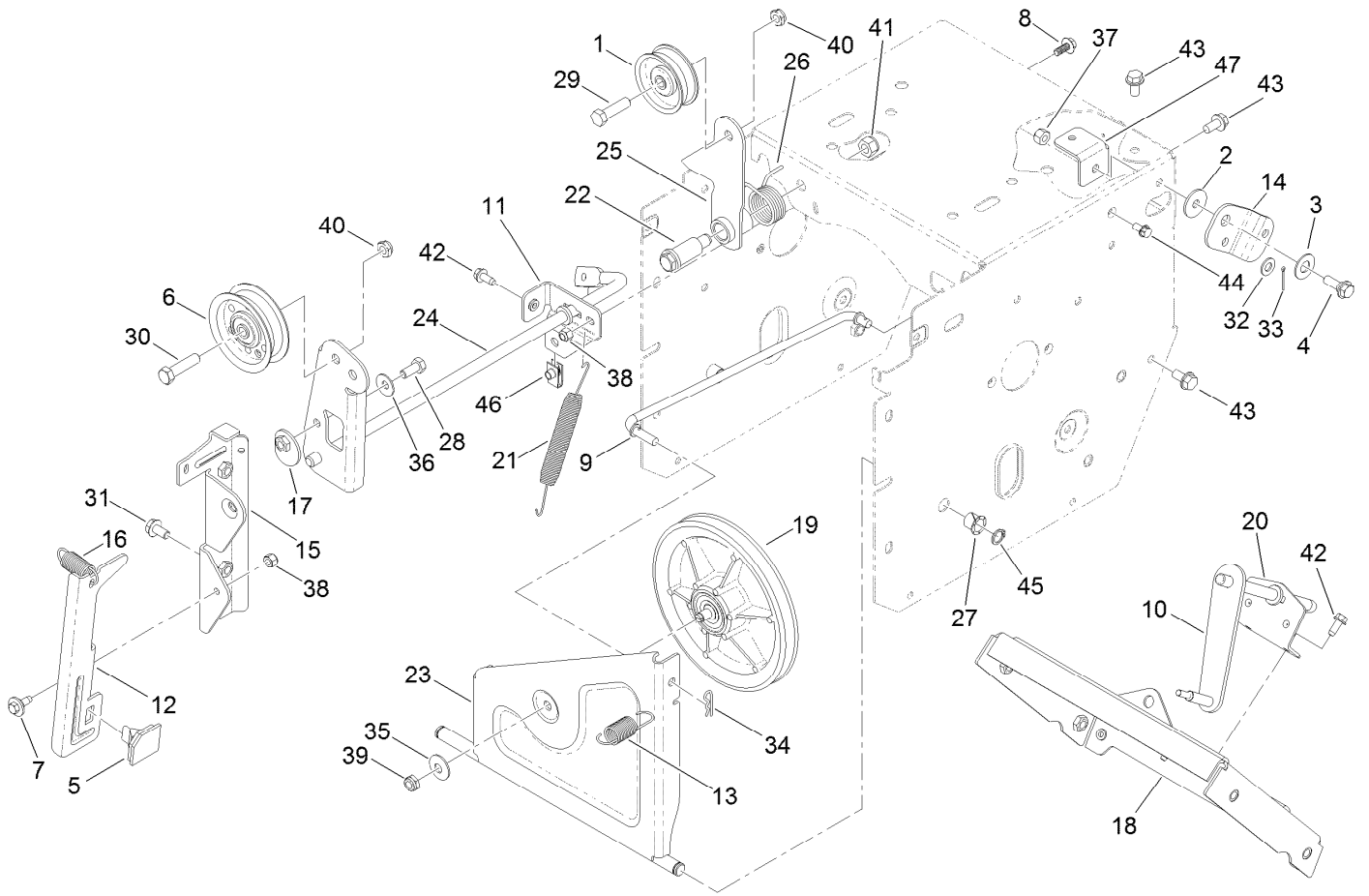
# Housing Assembly



## Housing Assembly (continued)

<i>Ref.</i>	<i>Part Number</i>	<i>Qty.</i>	<i>Description</i>	<i>Ref.</i>	<i>Part Number</i>	<i>Qty.</i>	<i>Description</i>
1	108-0022-01	1	Cover-Upper	5	120-9832-01	1	Frame-Traction
2	106-7330-01	1	Pan-Bottom	6	99-6810	8	Screw-HHF
3	106-7345-01	1	Cover-Lower	7	107069	7	Clip
4	107-1013	2	Nut-Speed, U-Type	8	32144-10	2	Screw-HWH

# Idler and Linkage Assembly

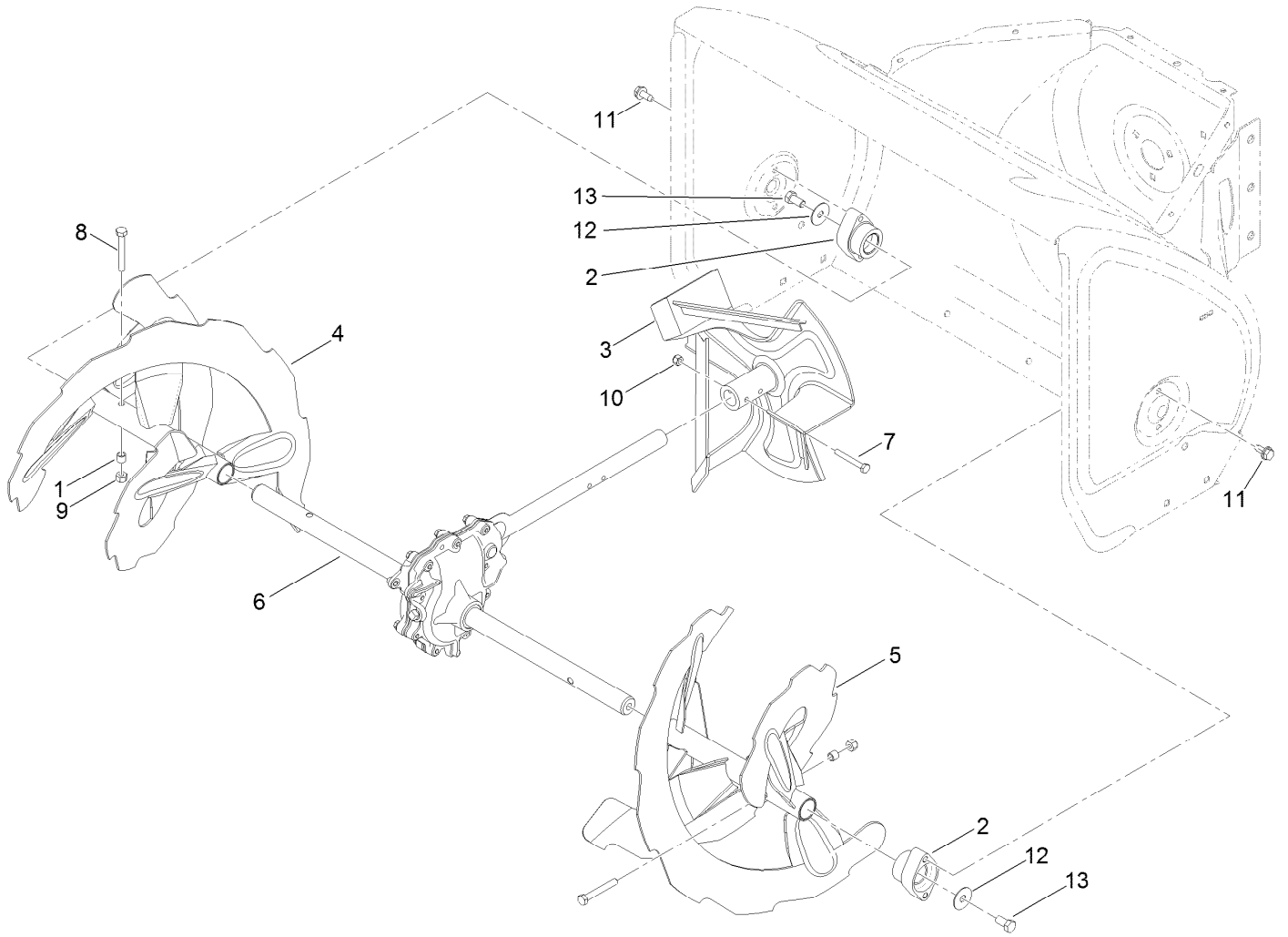




## Idler and Linkage Assembly (continued)

<i>Ref.</i>	<i>Part Number</i>	<i>Qty.</i>	<i>Description</i>	<i>Ref.</i>	<i>Part Number</i>	<i>Qty.</i>	<i>Description</i>
1	3-4244	1	Pulley-Idler	25	120-0148	1	Traction Idler Arm
2	5-4460	1	Washer-Pivot	26	120-3060	1	Spring-Torsion
3	25-5640	1	Washer	27	256-257	2	Bushing-Nyliner
4	27-0410	1	Screw-Shoulder	28	322-3	1	Screw-HH
5	66-8060	1	Pad-Brake	29	323-29	1	Screw-HH
6	92-7104	1	Pulley-Idler	30	323-8	1	Screw-HH
7	92-9698	1	Screw-Shoulder	31	3234-7	2	Screw-HHF
8	99-6810	1	Screw-HHF	32	3256-23	1	Washer-Plain
9	106-4467	1	Link-Control, Speed	33	3272-4	1	Pin-Cotter
10	106-7268	1	Lever-Control, Traction	34	3290-307	1	Pin-Cotter
11	120-9824	1	Bracket-Clutch, Impeller	35	3290-340	1	Washer-Belleville
12	107-1000	1	Arm-Brake	36	3290-456	1	Washer-Belleville
13	107-1003	1	Spring-Extension	37	3296-29	1	Nut-Lock, NI
14	107-1011	1	Bellcrank-Drive	38	3296-42	2	Nut-Lock, NI
15	107-1039	1	Bracket-Idler, Impeller	39	3296-5	1	Nut-Hex
16	107-1045	1	Spring-Extension	40	3296-59	2	Nut-Lock, NI
17	107-1047	1	Nut	41	3296-76	1	Nut-Lock, NI
18	108-0026-01	1	Shift Plate ASM	42	32144-10	3	Screw-HWH
19	108-0031	1	Pulley-Traction	43	32144-14	6	Screw-HWHTF
20	108-0036	1	Bracket-Rod, Shift	44	32144-4	1	Screw-HWH
21	108-2976	1	Spring-Extension	45	32151-61	2	Ring-Retaining
22	108-5056	1	Bolt-Shoulder	46	107069	1	Clip
23	108-7307	1	Bracket-Wheel, Friction	47	125-1124	1	Bracket-Frame, LH
24	120-0144-03	1	Impeller Clutch ASM				

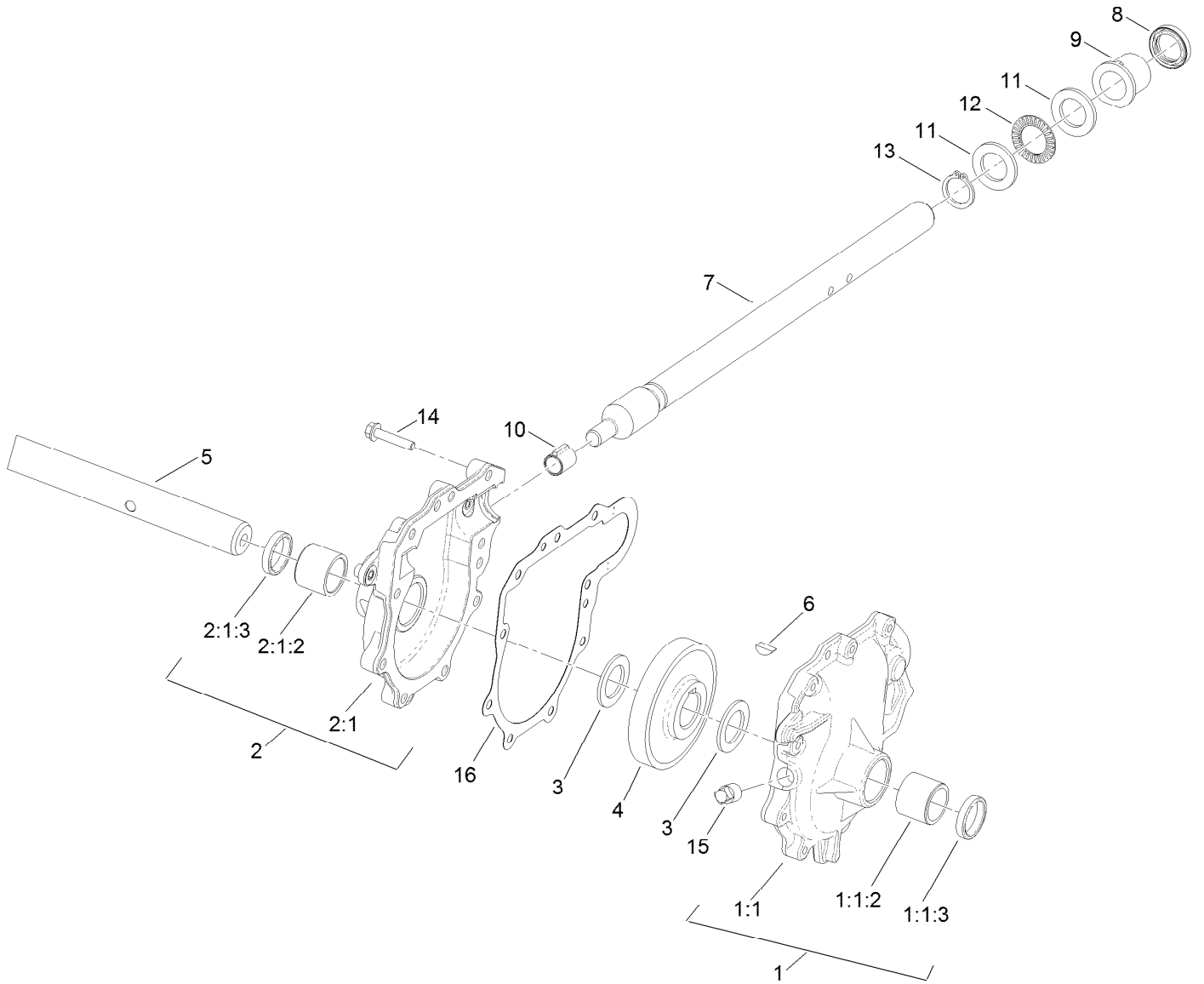
# Auger and Impeller Assembly



## Auger and Impeller Assembly (continued)

<i>Ref.</i>	<i>Part Number</i>	<i>Qty.</i>	<i>Description</i>	<i>Ref.</i>	<i>Part Number</i>	<i>Qty.</i>	<i>Description</i>
1	1-633545	2	Spacer	7	321-11	2	Screw-HH
2	106-4570	2	Bearing-Auger	8	322-11	2	Screw-HH
3	106-4576-03	1	Impeller ASM	9	3296-29	2	Nut-Lock, NI
4	106-7291-03	1	RH Auger ASM	10	3296-42	2	Nut-Lock, NI
5	106-7301-03	1	LH Auger ASM	11	32144-70	4	Screw-HWHTF
6	125-7926	1	28 Inch Auger Gearcase ASM	12	3-0750	2	Washer
				13	323-4	2	Screw-HH

# Gear Case Assembly No. 125-7926

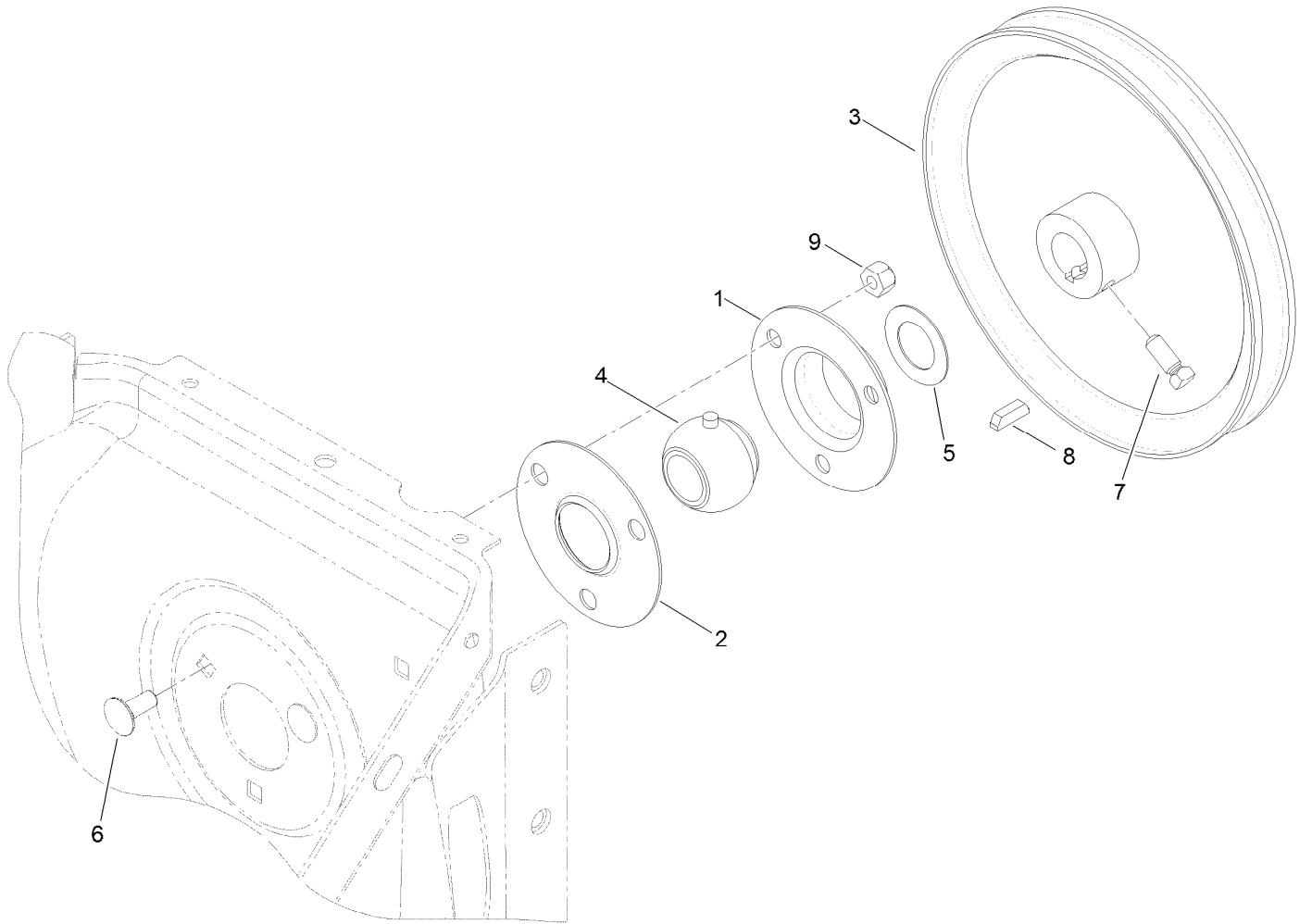


## Gear Case Assembly No. 125-7926 (continued)

<i>Ref.</i>	<i>Part Number</i>	<i>Qty.</i>	<i>Description</i>	<i>Ref.</i>	<i>Part Number</i>	<i>Qty.</i>	<i>Description</i>
1	108-7325	1	LH Auger Gearcase ASM	6	3257-10	1	Key-Woodruff
1:1		1	Gearcase-Auger, LH ●	7	66-7811	1	Shaft-Impeller
1:1:2	112-6635	1	Bushing-Sleeve	8	253-149	1	Seal-Oil
1:1:3	7-0045	1	Seal-Oil	9	37-6560	1	Bushing-Input
2	108-7327	1	RH Auger Gearcase ASM	10	62-1150	1	Bushing-Worm
2:1		1	Gearcase-Auger, RH ●	11	252-78	2	Washer-Thrust
2:1:2	112-6635	1	Bushing-Sleeve	12	252-76	1	Bearing-Thrust
2:1:3	7-0045	1	Seal-Oil	13	32151-33	1	Ring-Retaining, Ext
3	252-71	2	Washer-Thrust	14	108-4862	9	Screw-HWHTF
4	62-0120	1	Gear-Helical	15	121-6832	1	Plug-Pipe, SQH
5	106-4421	1	Shaft-Auger	16	108-7330	1	Gasket-Gearcase, Auger

● Not serviced separately

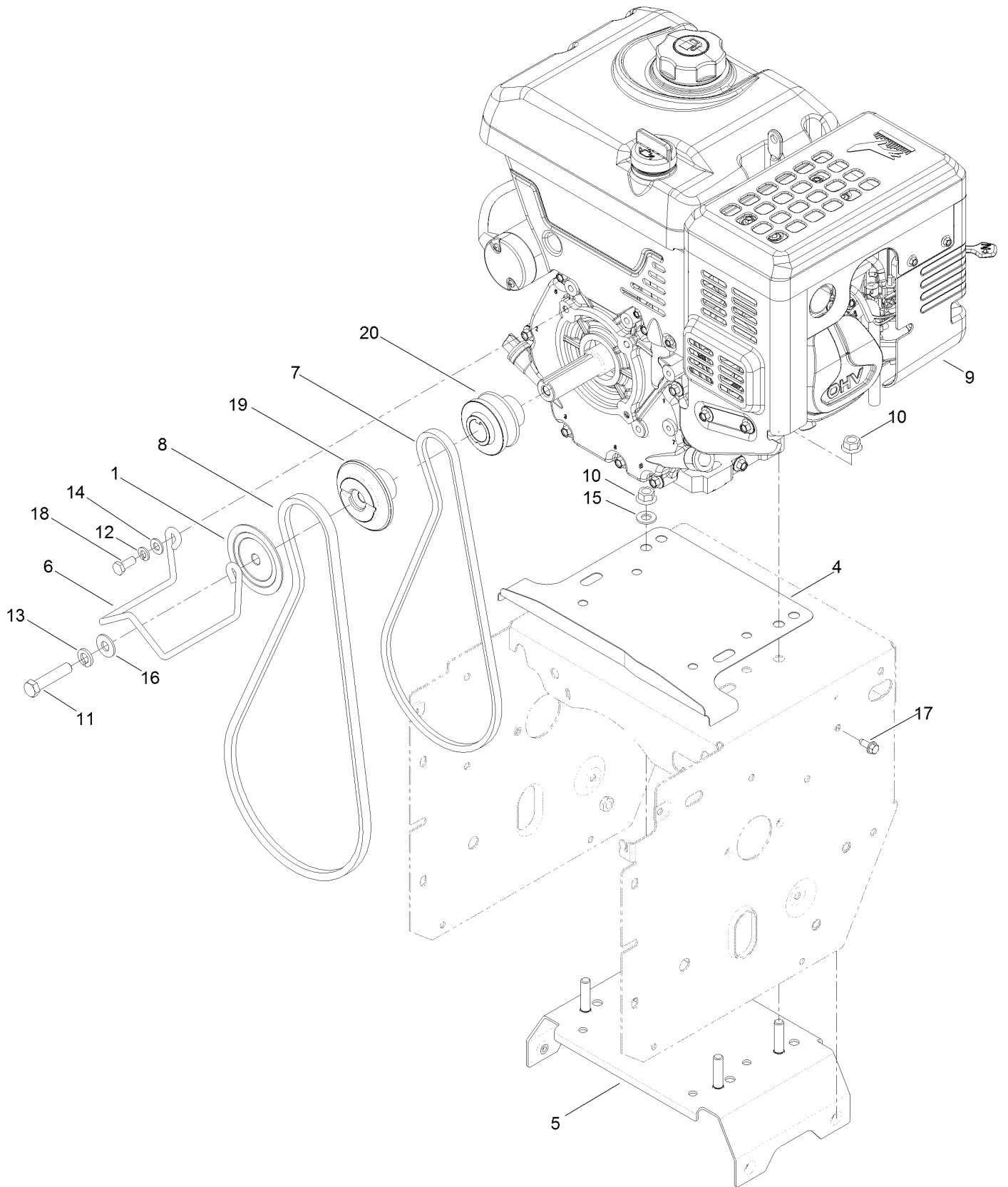
# Impeller Assembly



## Impeller Assembly (continued)

<i>Ref.</i>	<i>Part Number</i>	<i>Qty.</i>	<i>Description</i>	<i>Ref.</i>	<i>Part Number</i>	<i>Qty.</i>	<i>Description</i>
1	26-6110	1	Flange-Cup, Bearing	6	3230-23	3	Screw-CARR
2	26-6120	1	Flange-Cup, Bearing	7	1-803050	2	Screw-Set
3	62-1300	1	Pulley-Impeller	8	3257-23	1	Key-Woodruff
4	63-3450	1	Bearing-Ball	9	3296-29	3	Nut-Lock, NI
5	110-6767	1	Washer-Thrust				

# Engine and Pulley Assembly

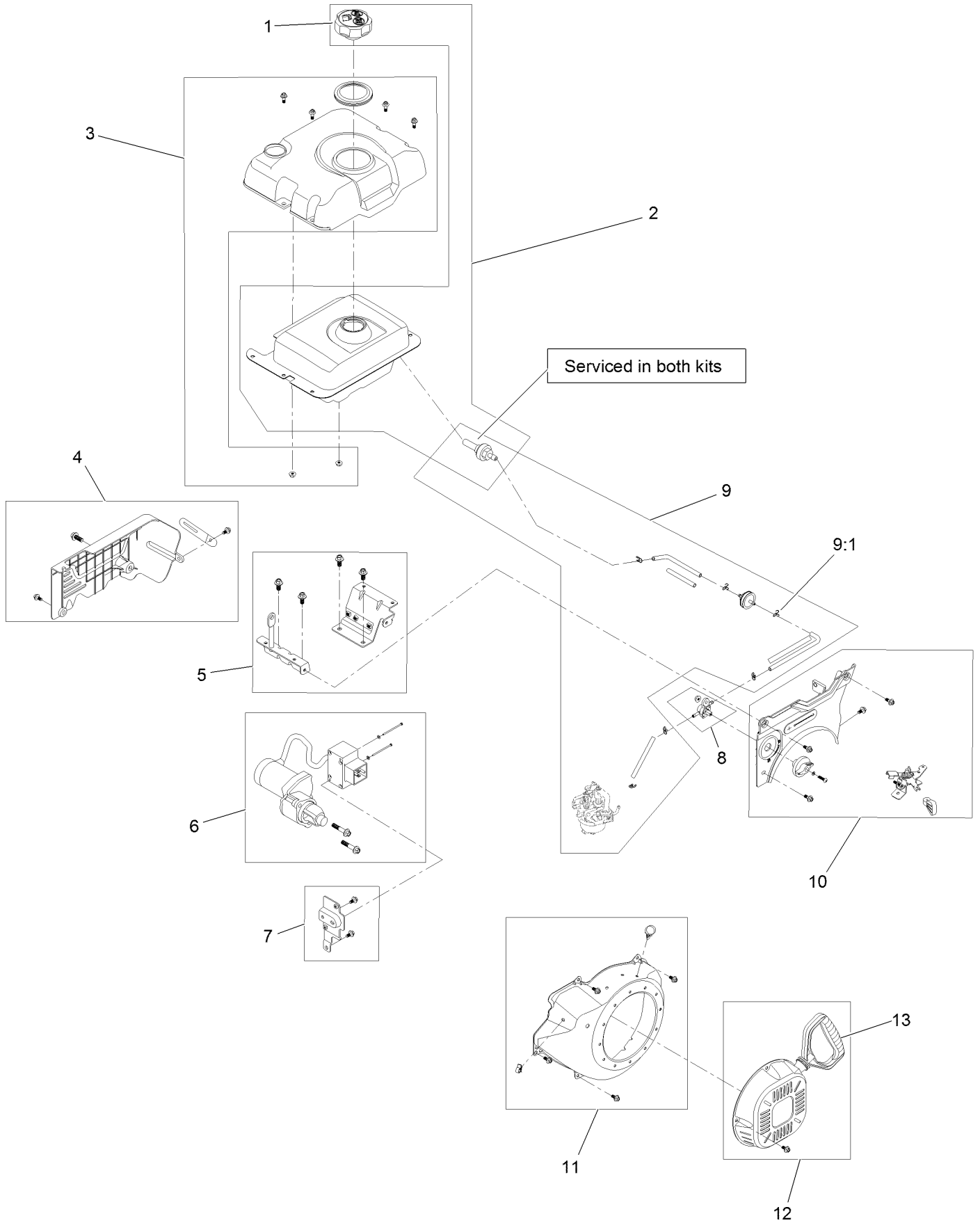




## Engine and Pulley Assembly (continued)

<i>Ref.</i>	<i>Part Number</i>	<i>Qty.</i>	<i>Description</i>	<i>Ref.</i>	<i>Part Number</i>	<i>Qty.</i>	<i>Description</i>
1	62-0940	1	Sheave-Half, Impeller	12	3253-4	2	Washer-Lock
4	117-6022-01	1	Shield-Drive	13	3253-6	1	Washer-Lock
5	119-1560	1	Frame Brace ASM	14	3256-23	2	Washer-Plain
6	119-1562	1	Guide-Belt	15	3256-24	1	Washer-Flat
7	119-1564	1	Belt-V	16	3256-4	1	Washer-Flat
8	125-1145	1	Belt-V	17	32144-10	4	Screw-HWH
9	120-4423	1	Engine-175Fds-1	18	33114-020	2	Screw-HH
10	120-3067	4	Nut-Flange	19	121-6602	1	Pulley-Engine, Impeller
11	3212-8	1	Screw-HH	20	121-6617	1	Pulley-Traction

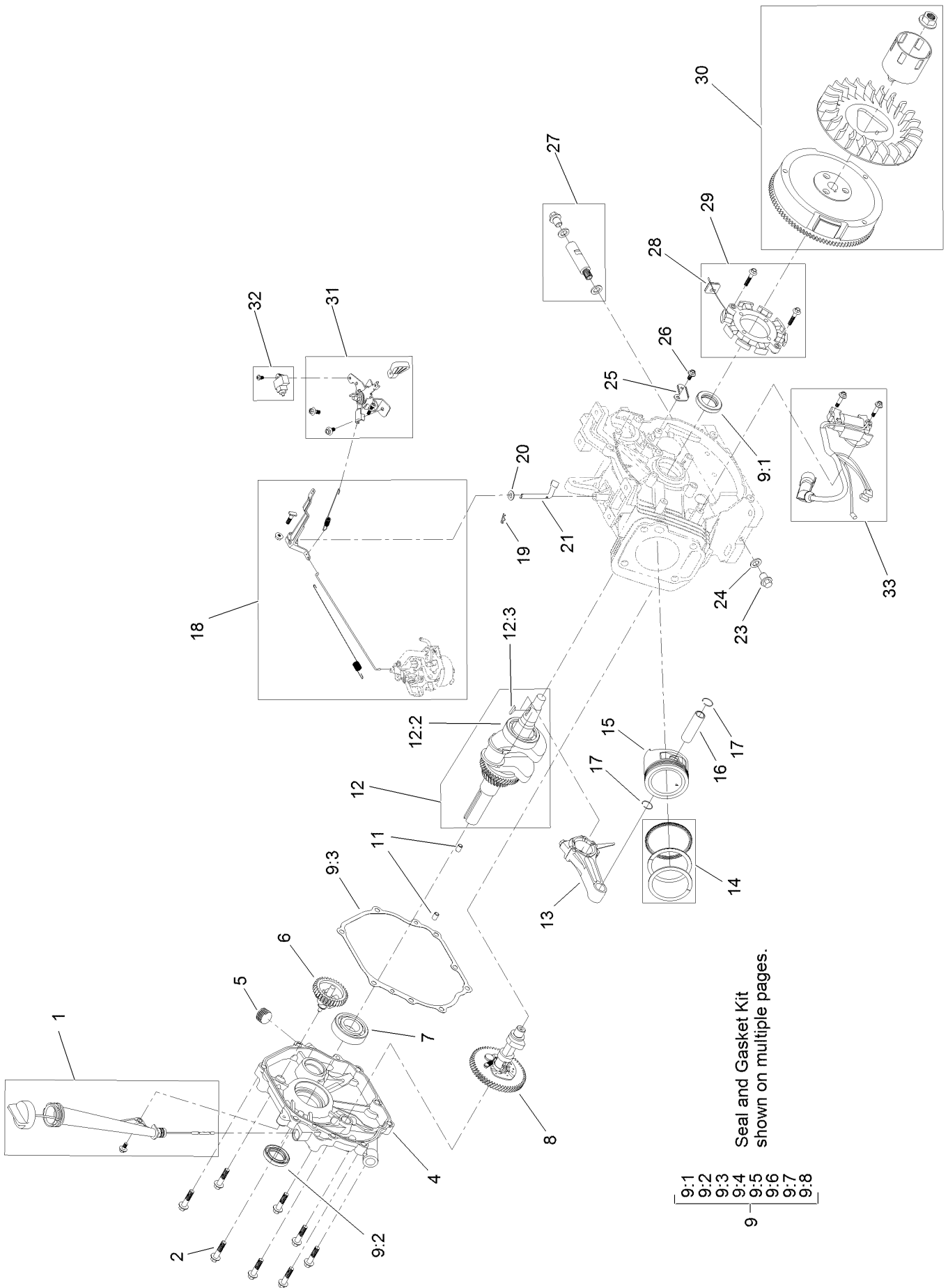
# No. 1 Engine Assembly



## No. 1 Engine Assembly (continued)

<i>Ref.</i>	<i>Part Number</i>	<i>Qty.</i>	<i>Description</i>	<i>Ref.</i>	<i>Part Number</i>	<i>Qty.</i>	<i>Description</i>
1	133-9823	1	Cap-Fuel	8	121-4109	1	Fuel Shut-Off Valve Kit
2	121-0414	1	Fuel Tank And Cap Kit	9	121-0353	1	Complete Fuel Line Kit
3	121-0349	1	Fuel Tank Cover Kit	9:1	121-0087	6	Clamp-Hose
4	121-0347	1	Rear Panel And Hardware Kit	10	121-4105	1	Front Panel Kit
5	121-0351	1	Tank Mount Bracket Kit	11	121-0274	1	Recoil Shroud Kit
6	133-1592	1	Starter Kit	12	121-0342	1	Recoil Kit
7	121-4103	1	Switch Box Bracket Kit	13	121-0287	1	Handle-Recoil

# Engine Assembly No. 2



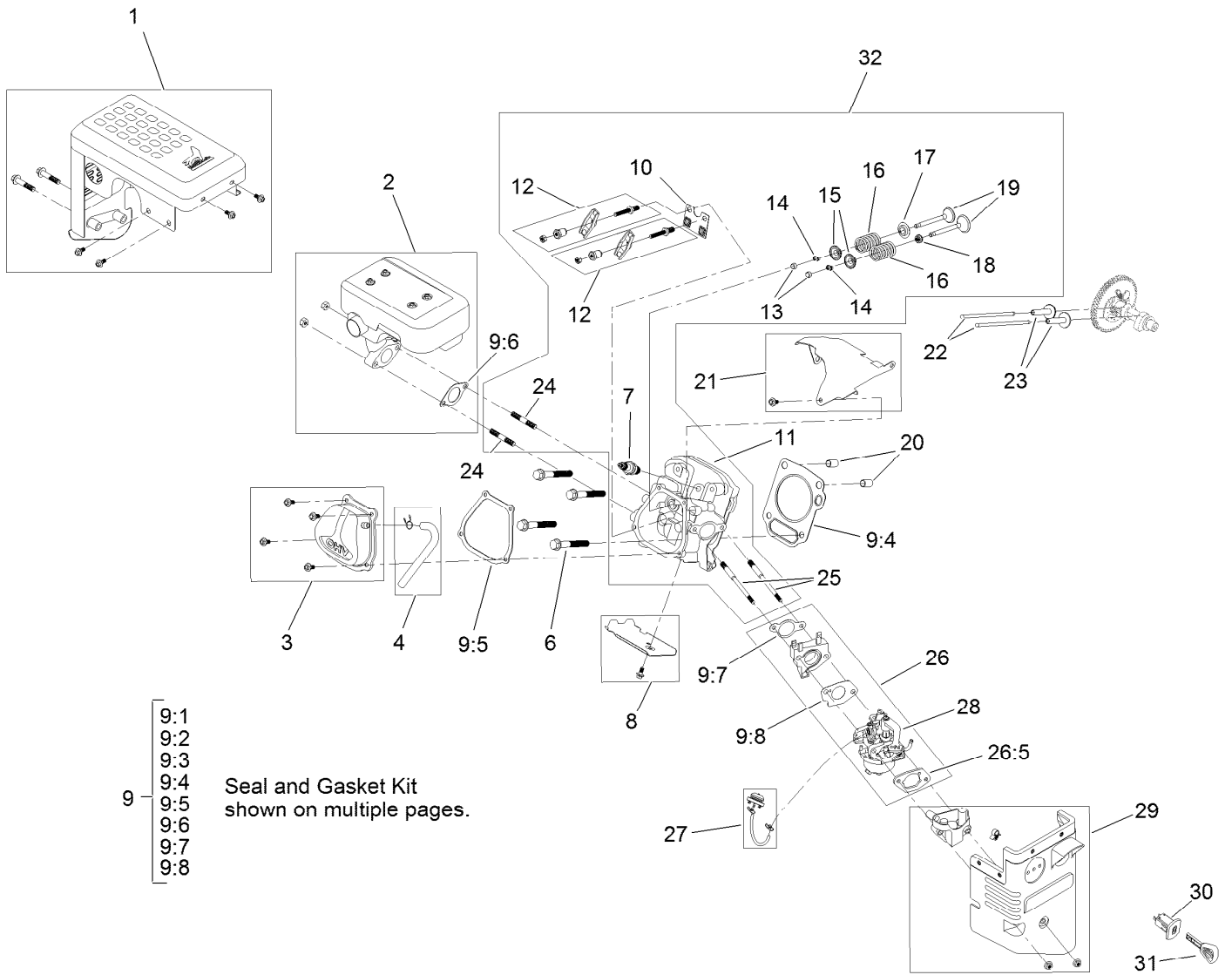
Seal and Gasket Kit shown on multiple pages.

- 9:1
- 9:2
- 9:3
- 9:4
- 9:5
- 9:6
- 9:7
- 9:8

## Engine Assembly No. 2 (continued)

<i>Ref.</i>	<i>Part Number</i>	<i>Qty.</i>	<i>Description</i>	<i>Ref.</i>	<i>Part Number</i>	<i>Qty.</i>	<i>Description</i>
1	133-9854	1	Oil Fill Kit	13	121-0240	1	Connecting Rod ASM
2	121-0299	8	Screw-HHF	14	121-0239	1	Set-Ring, Piston
4	133-9856	1	Cover-Crankcase	15	121-0236	1	Piston
5	133-9805	1	Plug-Drain	16	121-0237	1	Pin-Piston
6	121-0265	1	Governor Gear ASM	17	121-0313	2	Clip-Pin, Piston
7	121-0315	1	Bearing-Main	18	121-0352	1	Complete Governor Kit
8	121-0242	1	Camshaft ASM	19	120-4256	1	Pin-Hair
9	121-0356	1	Seal And Gasket Kit	20	121-0311	1	Washer-Plain
9:1	121-0316	1	Seal-Oil	21	121-0263	1	Shaft-Governor
9:2	121-0317	1	Seal-Oil	23	121-0222	1	Screw-HHF
9:3	121-0228	1	Gasket-Cover, Crankcase	24	121-0310	1	Washer-Plain
9:4	121-0232	1	Gasket-Head, Cylinder	25	121-0278	1	Clamp
9:5	121-0234	1	Gasket-Cover, Valve	26	121-0118	1	Screw-HHF
9:6	121-0272	1	Gasket-Exhaust	27	121-0341	1	Drain Plug Kit
9:7	121-0252	1	Gasket-Carburetor	28	121-0325	1	Grommet-Rubber
9:8	121-0253	1	Gasket-Carburetor	29	121-0362	1	Stator Kit
11	121-0314	2	Pin-Dowel	30	121-0354	1	Fan And Flywheel Kit
12	121-0241	1	Crankshaft ASM	31	121-4107	1	Throttle Control Kit
12:2	121-0315	1	Bearing-Main	32	121-4106	1	Kill Switch Kit
12:3	120-4320	1	Key-Woodruff	33	121-0334	1	Ignition Module Kit

# Engine Assembly No. 3

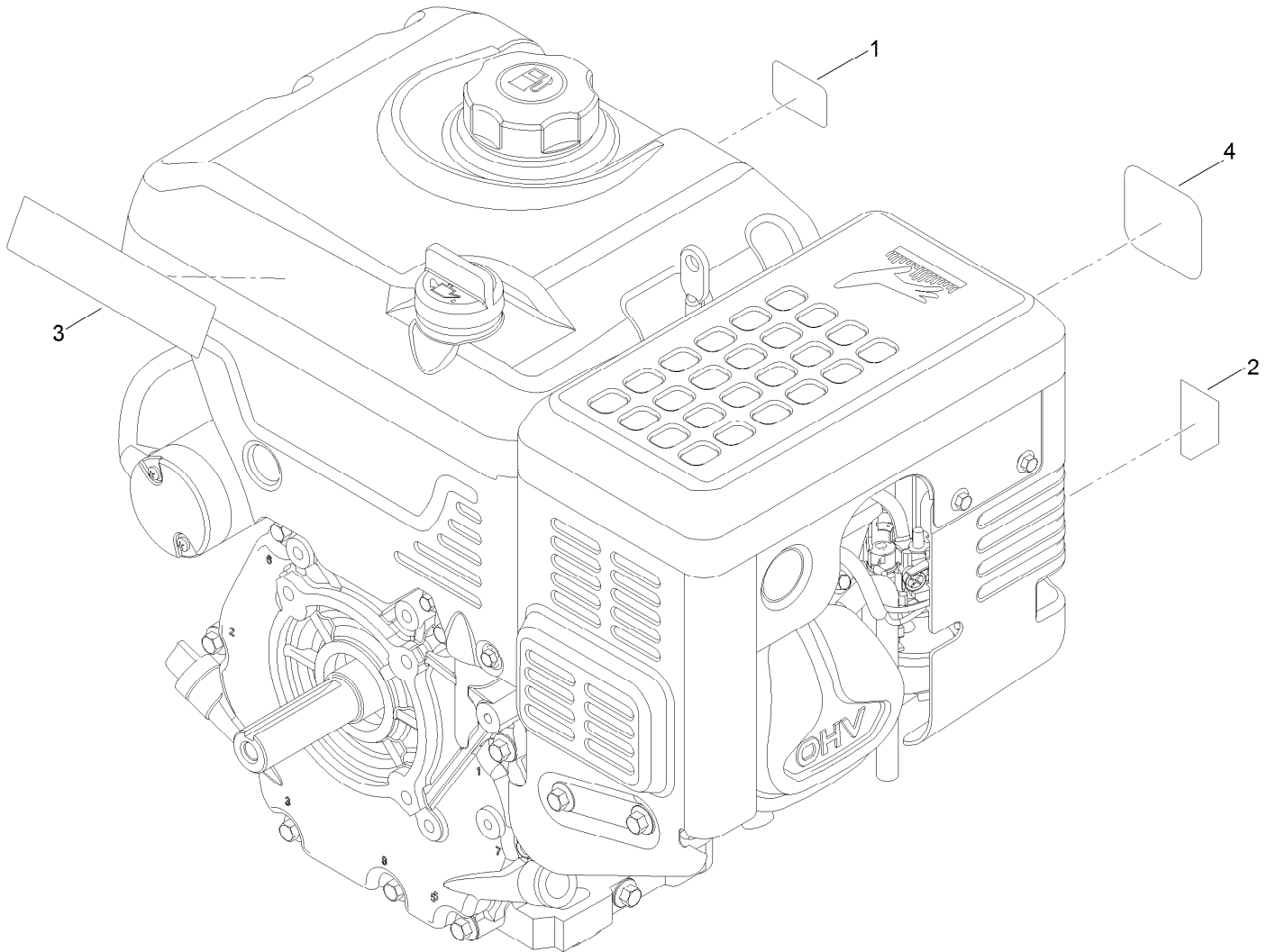


## Engine Assembly No. 3 (continued)

<i>Ref.</i>	<i>Part Number</i>	<i>Qty.</i>	<i>Description</i>	<i>Ref.</i>	<i>Part Number</i>	<i>Qty.</i>	<i>Description</i>
1	121-4101	1	Muffler Shield Kit	16	120-4305	2	Spring-Valve
2	127-9373	1	Muffler Kit	17	120-4303	1	Seat-Spring, Valve
3	121-0343	1	Valve Cover Kit	18	120-4304	1	Seal-Stem, Valve
4	121-0340	1	Breather Tube Kit	19	121-0328	1	Valve Kit
6	121-0302	4	Screw-HHF	20	120-4200	2	Pin-Dowel
7	119-1901	1	Plug-Spark	21	121-4102	1	Upper Heat Shroud Kit
8	121-0348	1	Lower Heat Shroud Kit	22	121-0246	2	Rod-Push
9	121-0356	1	Seal And Gasket Kit	23	120-4298	2	Lifter-Valve
9:1	121-0316	1	Seal-Oil	24	121-0304	2	Stud-Mount, Muffler
9:2	121-0317	1	Seal-Oil	25	121-0303	2	Stud-Mount, Carburetor
9:3	121-0228	1	Gasket-Cover, Crankcase	26	121-0345	1	Complete Carb Service Kit
9:4	121-0232	1	Gasket-Head, Cylinder	26:5	121-0254	1	Gasket-Coated, Rubber
9:5	121-0234	1	Gasket-Cover, Valve	27	127-9372	1	Primer Kit
9:6	121-0272	1	Gasket-Exhaust	28	127-9143	1	Carb Repair Kit With Gaskets
9:7	121-0252	1	Gasket-Carburetor	29	121-0355	1	Heater Box Kit
9:8	121-0253	1	Gasket-Carburetor	30	121-0283	1	Switch-Key
10	121-0247	1	Plate-Guide, Push Rod	31	117-7728	1	Key
11	121-0230	1	Head-Cylinder	32	133-9855	1	Complete Head ASM
12	121-0245	2	Rocker Arm ASM	99	121-4241	1	High Altitude Kit-Power Max HD ●
13	121-0244	2	Rotator-Valve				
14	120-4307	4	Keeper-Valve				
15	120-4306	2	Retainer-Spring, Valve				

● Not illustrated

# Engine Decal Assembly

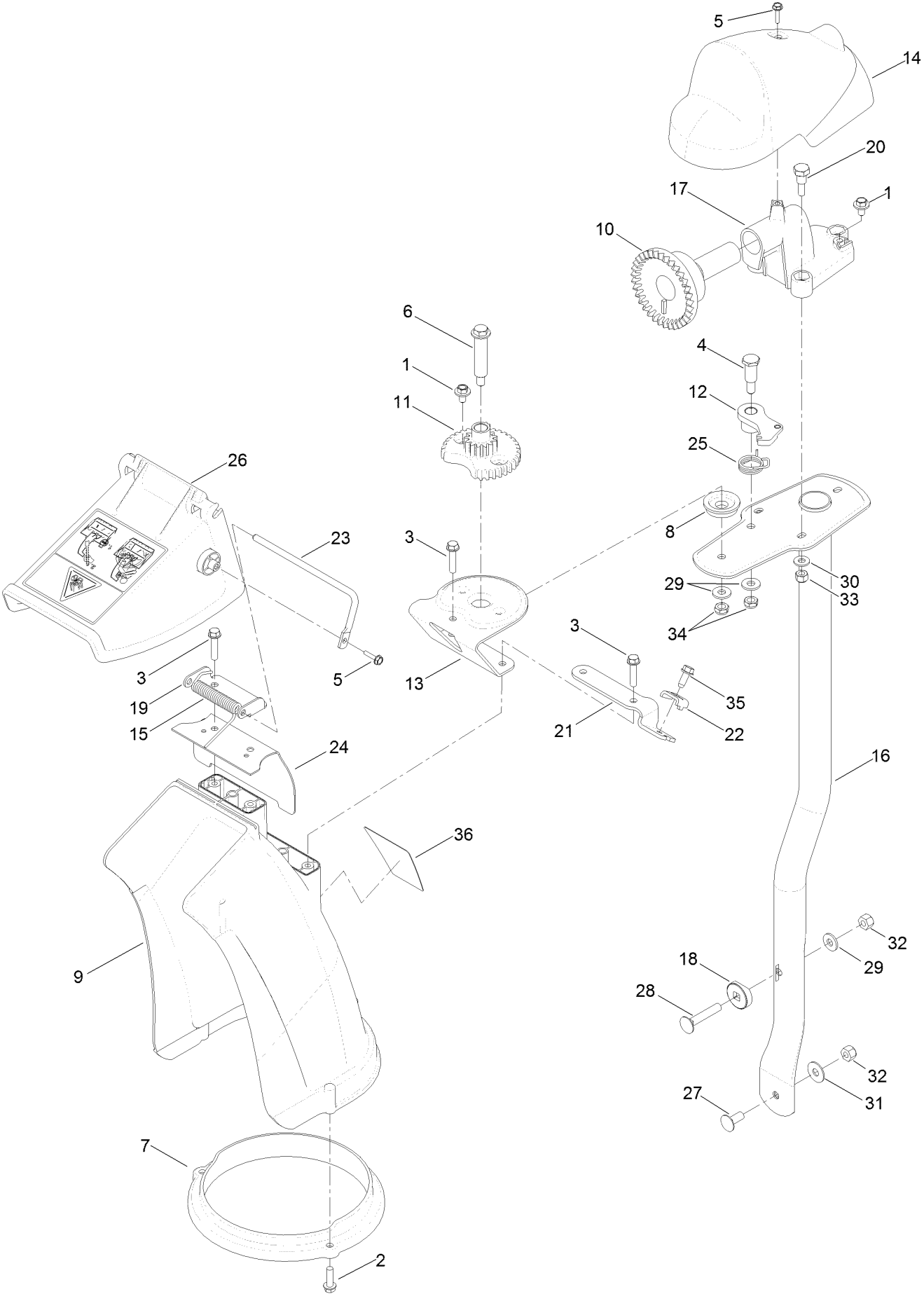




## Engine Decal Assembly (continued)

<i>Ref.</i>	<i>Part Number</i>	<i>Qty.</i>	<i>Description</i>	<i>Ref.</i>	<i>Part Number</i>	<i>Qty.</i>	<i>Description</i>
1	125-1102	1	Decal-Throttle	3	120-9807	1	Decal-Engine
2	120-9805	1	Decal-Control, Engine	4	120-9810	1	Decal-Recoil

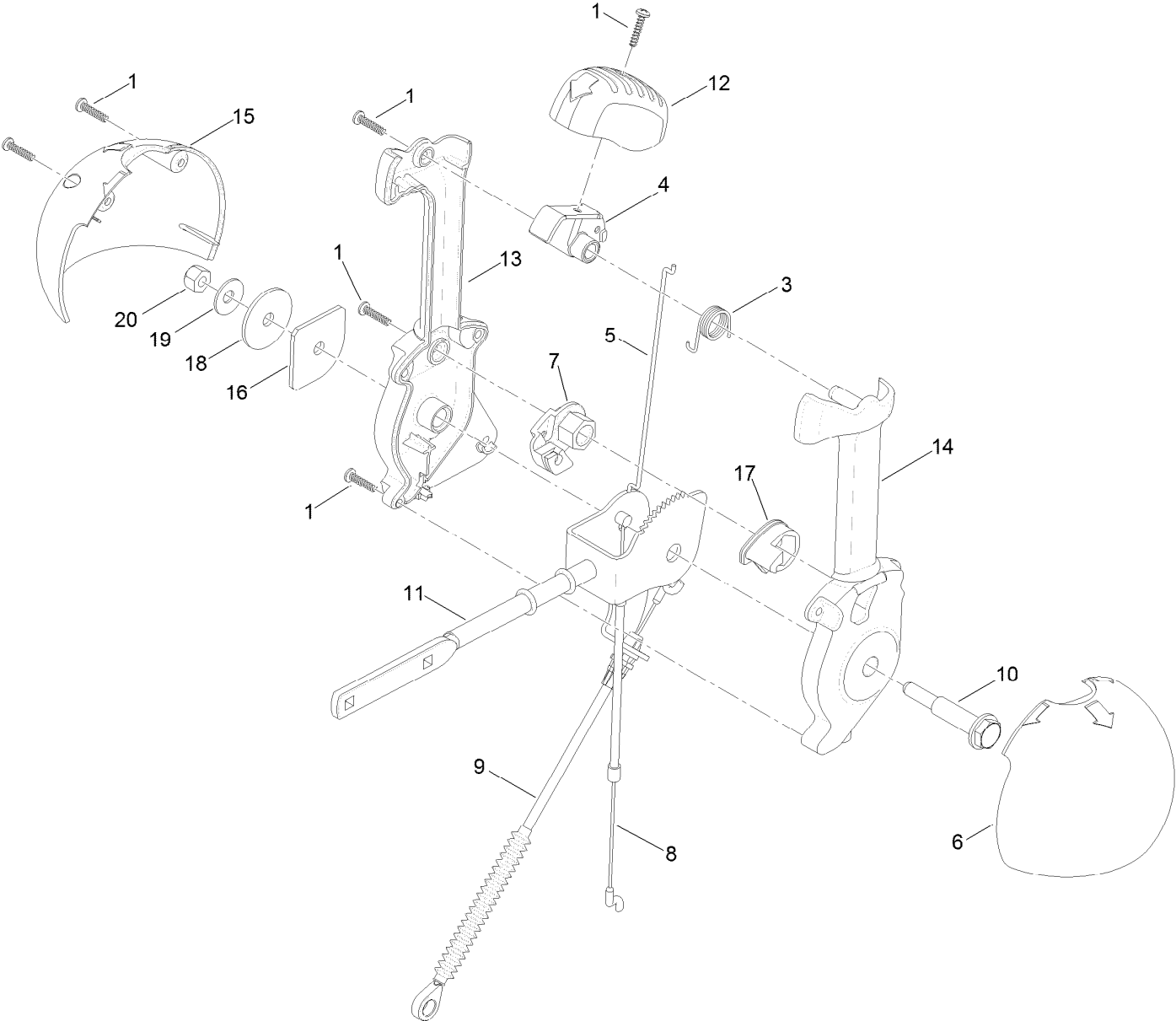
# Chute Assembly



## Chute Assembly (continued)

<i>Ref.</i>	<i>Part Number</i>	<i>Qty.</i>	<i>Description</i>	<i>Ref.</i>	<i>Part Number</i>	<i>Qty.</i>	<i>Description</i>
1	46-6810	3	Screw And Washer ASM	19	106-7266	1	Bracket-Deflector
2	46-8091	3	Screw-HWH	20	106-7276	3	Screw-Shoulder
3	46-8092	5	Screw-Plastite	21	106-7296	1	Bracket-Cable, Clamp
4	63-2650	1	Screw-Shoulder	22	106-7297	1	Clamp-Cable
5	98-1375	2	Screw-HWH	23	107-1021	1	Rod-Deflector
6	100-9880	1	Bolt-Shoulder	24	108-5052	1	Seal-Chute
7	105-9991	1	Ring-Chute	25	108-7315	1	Spring-Torsion
8	106-4422	1	Spacer-Chute	26	112-6629	1	Deflector-Chute, CE
9	106-4440	1	Chute-Discharge	27	3230-23	1	Screw-CARR
10	106-4471	1	Gear-Face	28	3230-5	1	Screw-CARR
11	106-4472	1	Gear-Chute	29	3256-2	3	Washer-Flat
12	106-4476	1	Latch-Chute	30	3256-22	3	Washer-Flat
13	106-4582-03	1	Bracket-Support, Chute	31	3290-456	1	Washer-Belleville
14	106-4585	1	Cover-Gear, Chute	32	3296-29	2	Nut-Lock, NI
15	106-4594	1	Spring-Torsion	33	3296-42	3	Nut-Lock, NI
16	106-7253-03	1	Tube-Support	34	3296-47	2	Nut-Lock, NI
17	106-7257	1	Mount-Gear, Face	35	32144-10	1	Screw-HWH
18	106-7260	1	Washer-Curved	36	125-1121	1	Decal-Guarantee

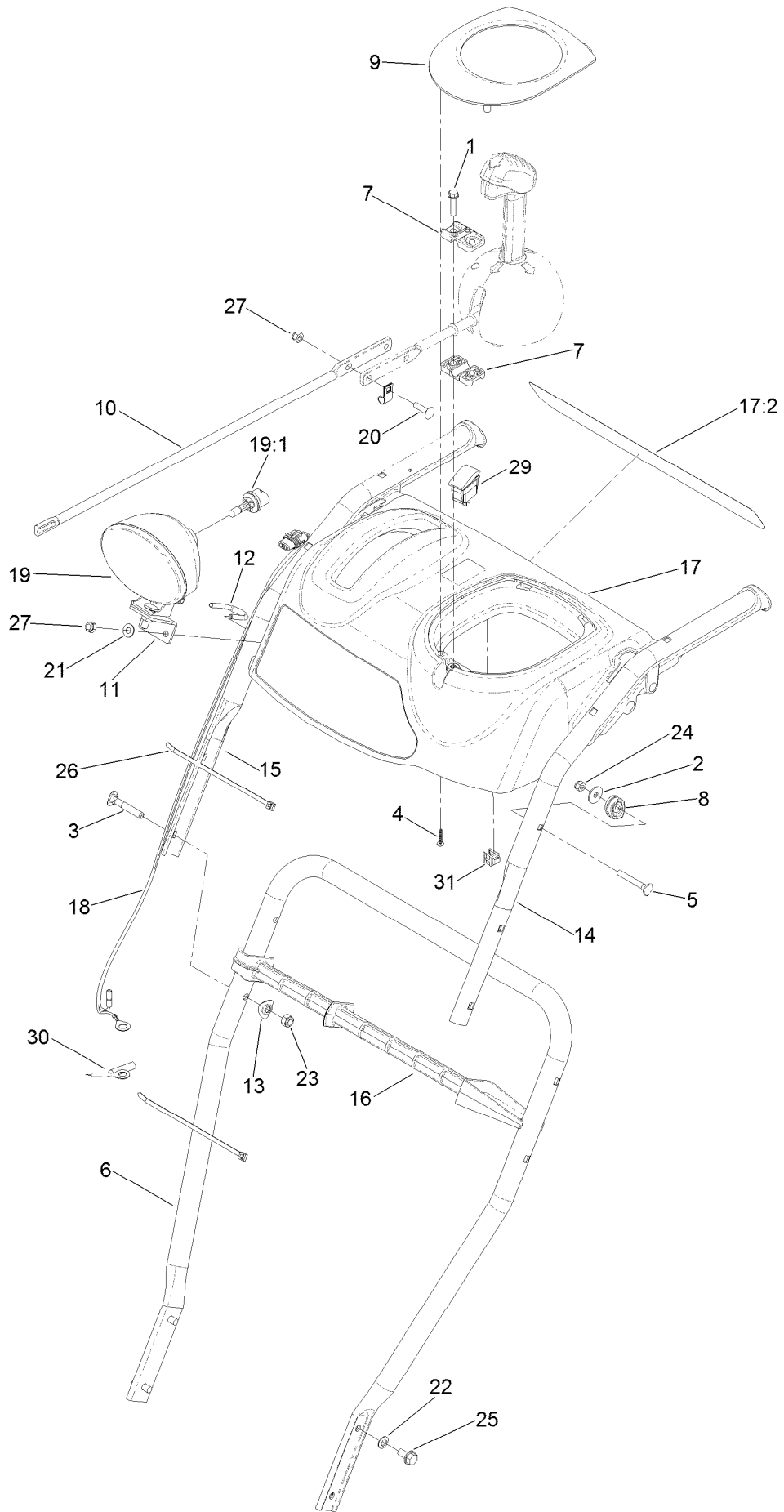
# Lever Chute Control Assembly



## Lever Chute Control Assembly (continued)

<i>Ref.</i>	<i>Part Number</i>	<i>Qty.</i>	<i>Description</i>	<i>Ref.</i>	<i>Part Number</i>	<i>Qty.</i>	<i>Description</i>
1	94-4496	6	Screw-PPH	12	106-7280	1	Cap-Lever
3	105-9982	1	Spring-Torsion	13	106-7281	1	Lever-Control, Chute (RH)
4	105-9984	1	Trigger-Latch	14	106-7282	1	Lever-Control, Chute (LH)
5	105-9985	1	Link-Latch	15	106-7292	1	Cover-Lever, Chute (RH)
6	105-9986	1	Cover-Lever, Chute (LH)	16	106-7295	1	Plate-Friction
7	105-9988	1	Lever-Cable, Deflector	17	106-7310	1	Pawl-Latch
8	125-1113	1	Cable-Release, Chute	18	107-3002	1	Washer-Nylon
9	105-9990	1	Cable-Control, Deflector	19	3290-456	1	Washer-Belleville
10	105-9995	1	Screw-Shoulder	20	3296-29	1	Nut-Lock, NI
11	106-4479	1	Rod-Control, Chute				

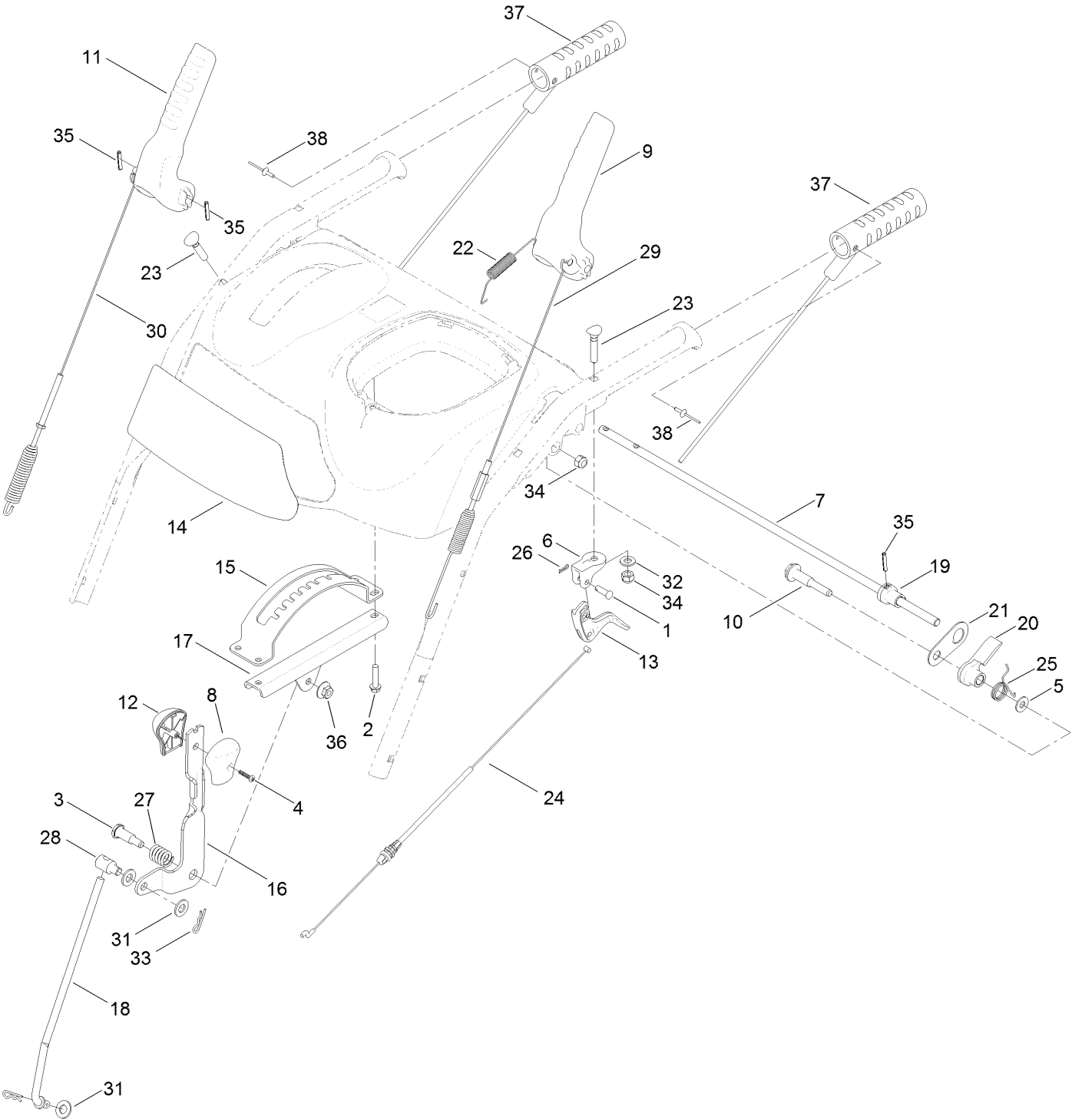
# Handle Assembly



## Handle Assembly (continued)

<i>Ref.</i>	<i>Part Number</i>	<i>Qty.</i>	<i>Description</i>	<i>Ref.</i>	<i>Part Number</i>	<i>Qty.</i>	<i>Description</i>
1	46-8092	2	Screw-Plastite	17:2	127-5991	1	Decal-Control
2	87-6630	2	Washer-Plain	18	127-5950	1	Harness-Wire, Heated Grips
3	92-2260	4	Screw-Handle	19	120-3074	1	Headlamp ASM
4	94-4496	2	Screw-PPH	19:1	120-3075	1	Lamp-12 Volt
5	95-4453	2	Screw	20	3229-30	2	Screw-CARR
6	105-9981-03	1	Handle-Lower	21	3256-1	2	Washer-Flat
7	105-9987	2	Support-Rod	22	3290-475	4	Washer-Belleville
8	106-4509	2	Clamp-Cable	23	3296-72	4	Nut-Lock, NI
9	106-4586	1	Cover-Panel, Control	24	3296-73	2	Nut-Lock, NI
10	106-7283	1	Rod-Chute, Front	25	32144-14	4	Screw-HWHTF
11	107-1020-03	1	Bracket-Light	26	614249	2	Tie-Cable
12	107-3024	1	Clamp	27	3296-73	4	Nut-Lock, NI
13	107-3844	4	Washer	29	127-5999	1	Switch-Rocker, Off-None-On
14	127-5952-03	1	Handle-Upper, LH	30	127-5998	1	Harness-Wire, Ground Jumper
15	127-5953-03	1	Handle-Upper, RH	31	32180-078	1	Clip-Edge
16	110-3408	1	Stick-Cleanout				
17	127-5990	1	Control Panel ASM				

# Control Assembly

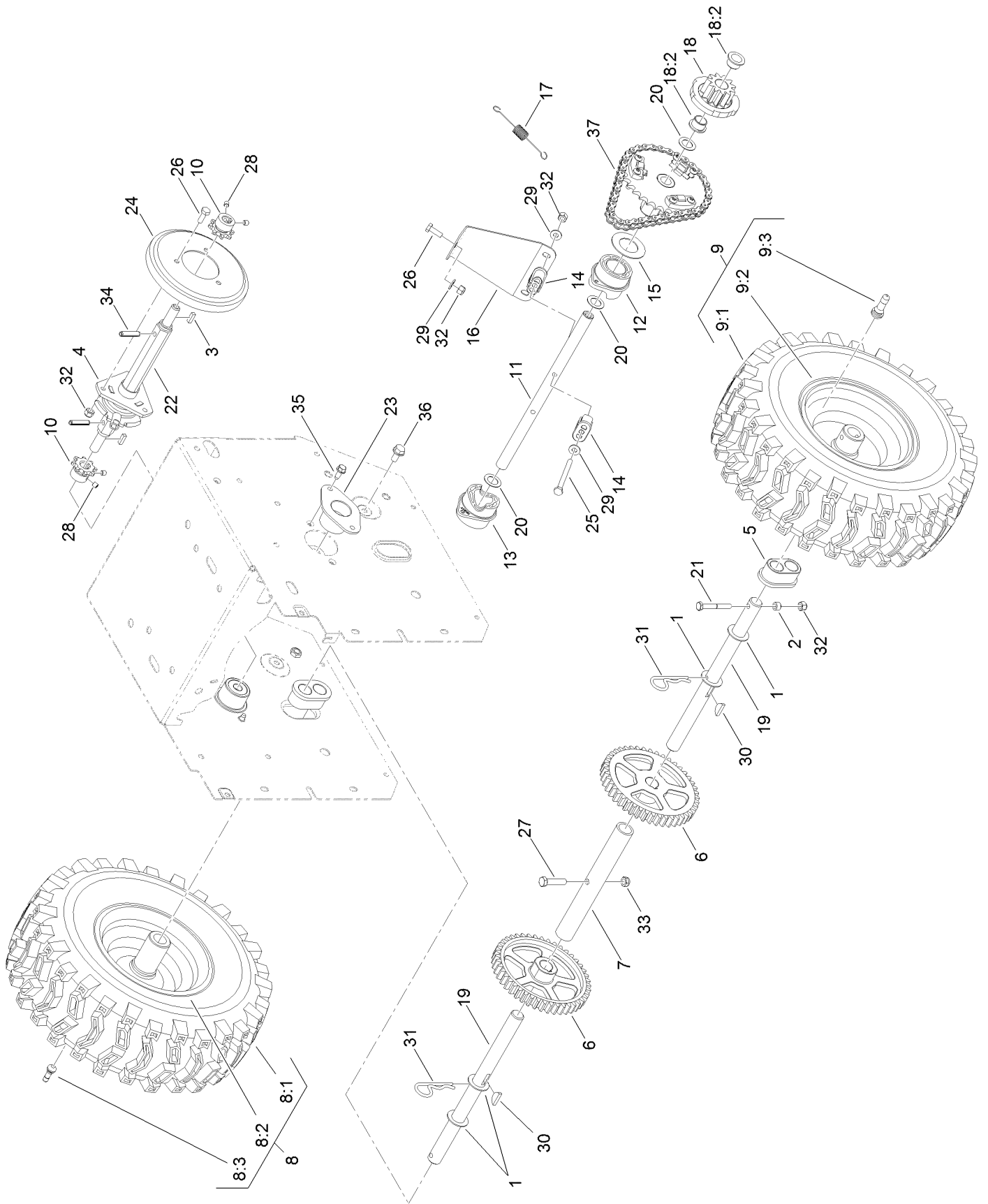




## Control Assembly (continued)

<i>Ref.</i>	<i>Part Number</i>	<i>Qty.</i>	<i>Description</i>	<i>Ref.</i>	<i>Part Number</i>	<i>Qty.</i>	<i>Description</i>
1	1-808265	2	Pin-Clevis	20	108-0023	1	Latch-Lockout
2	46-8092	4	Screw-Plastite	21	107-3000	1	Link-Lockout
3	63-2650	1	Screw-Shoulder	22	107-3001	1	Spring-Tension
4	94-4496	1	Screw-PPH	23	107-3018	4	Screw-Handle
5	98-3499	1	Washer-Flat	24	107-8896	2	Cable-Clutch
6	105-9980	2	Mount-Clutch, Lever	25	108-0024	1	Spring-Torsion
7	105-9996	1	Rod-Lockout	26	108-2992	2	Pin-Hair
8	105-9999	1	Knob-Shift, LH	27	108-7313	1	Spring-Compression
9	125-7946	1	Lever-Traction	28	110-3446	1	Trunnion-Rod
10	106-4412	1	Screw-Shoulder	29	120-0132	1	Cable-Traction
11	125-7947	1	Lever-Auger	30	120-3086	1	Cable-Auger
12	106-4423	1	Knob-Shift, RH	31	3256-24	3	Washer-Flat
13	106-4505	2	Lever-Clutch	32	3256-70	4	Washer-Flat
14	130-9781	1	Decal-Control Panel	33	3290-307	2	Pin-Cotter
15	106-7277-03	1	Guide-Selector, Speed	34	3296-72	5	Nut-Lock, NI
16	106-7278-03	1	Selector-Speed	35	32121-125	3	Pin-Spring
17	130-9775-03	1	Bracket-Selector, Speed	36	32128-13	1	Nut-HF
18	107-1005	1	Rod-Shift	37	127-5951	2	Grip-Heated
19	107-1043	1	Cam-Lockout	38	3290-271	4	Rivet-Pop

# Wheel Clutch Assembly

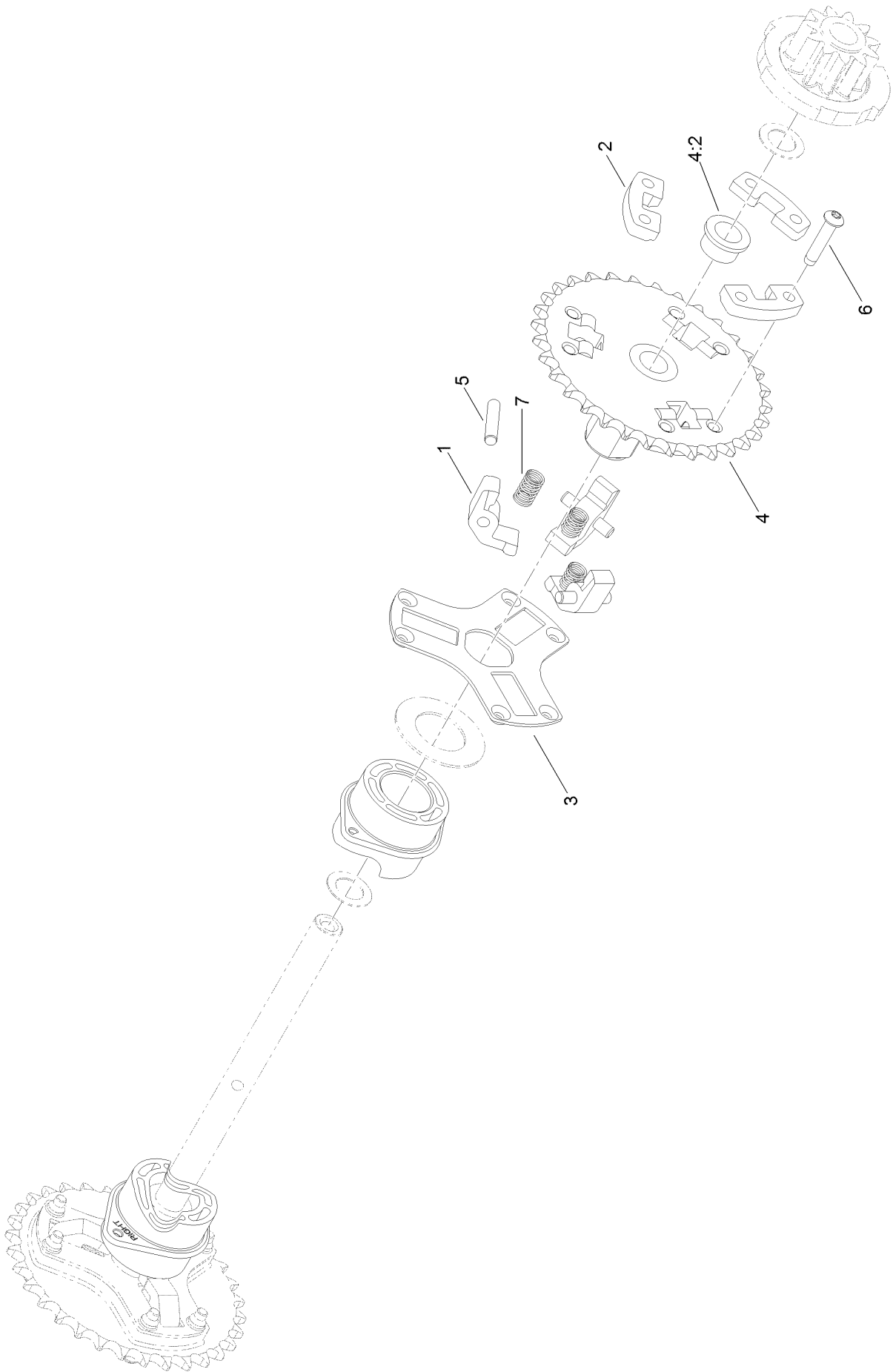


## Wheel Clutch Assembly (continued)

<i>Ref.</i>	<i>Part Number</i>	<i>Qty.</i>	<i>Description</i>	<i>Ref.</i>	<i>Part Number</i>	<i>Qty.</i>	<i>Description</i>
1	3-8664	4	Washer-Thrust	18	107-8894	2	11T Gear ASM
2	55-9370	2	Spacer-Blade, Rotor	18:2	108-2973	2	Bushing-Flange
3	94-8850	2	Key-Square	19	107-8898	2	Shaft-Axle
4	106-4434	1	Trunnion-Hex	20	108-0015	4	Washer-Flat
5	106-4558	2	Bearing-Axle	21	108-2975	2	Screw-HH
6	106-4572	2	Gear-Axle, 44 Tooth	22	108-7314	1	Shaft-Hex
7	106-7259	1	Tube-Axle	23	108-7319	2	Retainer-Bearing
8		1	RH Wheel And Tire ASM ●	24	119-1567	1	Wheel-Friction
8:1	121-6610	1	Rim-Tire	25	321-23	2	Screw-HH
8:2	121-6611	1	Tire	26	321-4	4	Screw-HH
8:3	232-27	1	Stem-Valve	27	322-17	1	Screw-HH
9		1	LH Wheel And Tire ASM ●	28	3245-32	4	Screw-HSH
9:1	121-6610	1	Rim-Tire	29	3256-22	5	Washer-Flat
9:2	121-6611	1	Tire	30	3257-7	2	Key-Woodruff
9:3	232-27	1	Stem-Valve	31	3290-343	2	Pin-Hair
10	106-7317	2	Sprocket-8 Tooth	32	3296-42	8	Nut-Lock, NI
11	107-8883	1	Shaft-Intermediate	33	3296-47	1	Nut-Lock, NI
12	107-8887	1	Collar-Shift, LH	34	32121-9	2	Pin-Roll, Slotted
13	107-8888	1	Collar-Shift, RH	35	32144-10	4	Screw-HWH
14	107-8889	4	Guide-Collar	36	32144-14	2	Screw-HWHTF
15	107-8891	2	Washer-Thrust	37	108-0016	2	Chain-Roller
16	107-8892-03	1	Brace-Collar, Shift	37	2710-6	2	Link-Connecting
17	107-8893	2	Spring-Extension				

● Not serviced separately

# Wheel Clutch Sprocket Assembly



## Wheel Clutch Sprocket Assembly (continued)

<i>Ref.</i>	<i>Part Number</i>	<i>Qty.</i>	<i>Description</i>	<i>Ref.</i>	<i>Part Number</i>	<i>Qty.</i>	<i>Description</i>
1	107-8879	6	Pawl-Clutch	4:2	108-2973	2	Bushing-Flange
2	107-8880	6	Support-Pawl	5	107-8899	6	Pin-Dowel
3	107-8886	2	Retainer-Pin, Pawl	6	108-0035	12	Screw-TTH, Thread Rolling
4	107-8895	2	32T Sprocket ASM	7	107-8885	6	Spring-Compression

# Attachments and Accessories

## For 38801 Power Max Heavy Duty 928 OHXE Snowthrower

<b>Product Name</b>	<b>Model/Part</b>
Weight Kit .....	107-3815
28in Drift Breaker.....	107-3817
Heavy-Duty Skid Kit.....	125-1104
Snow Cab Kit.....	127-5960
Engine Maintenance Kit.....	138-0704
Non-Marking Skid Kit.....	38211
Tire Chain Kit, for 16in Tires.....	38215
Toro Snow Oil 0W30 Synthetic 20-Ounce Bottle .....	38913
Toro 2-Stage Cover.....	490-7466
Plain 2-Stage Cover.....	490-7467

**Notes:**



**Count on it.**